

MODEL : EC10B

List No : 1232-01

# PARTS LIST

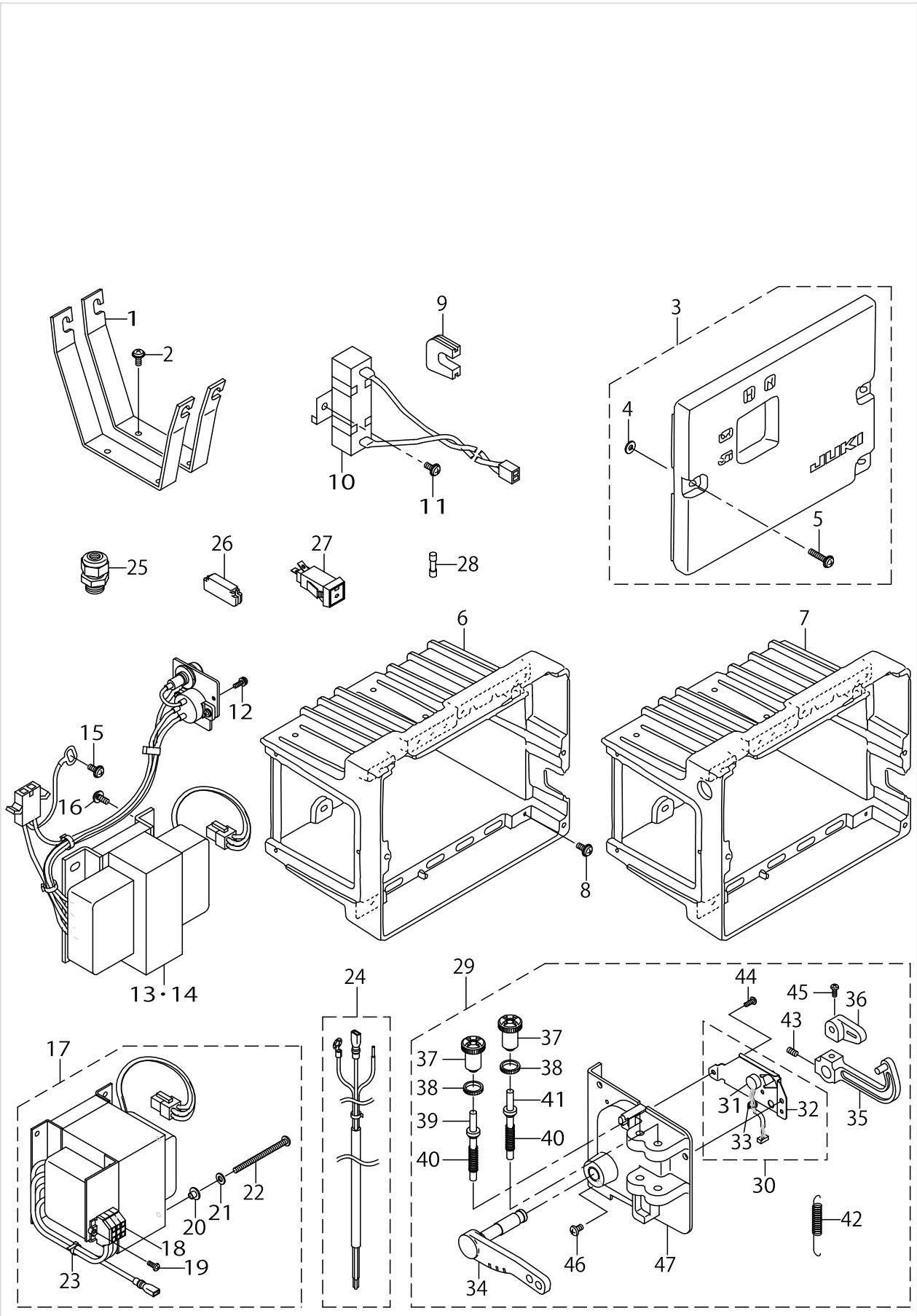
Published:09/10/2017

## CONTENTS

---

PSC BOX COMPONENTS .....	1
MAIN CIRCUIT BOARD COMPONENTS .....	3
HOW TO MAKE USE OF THIS PARTS LIST .....	7

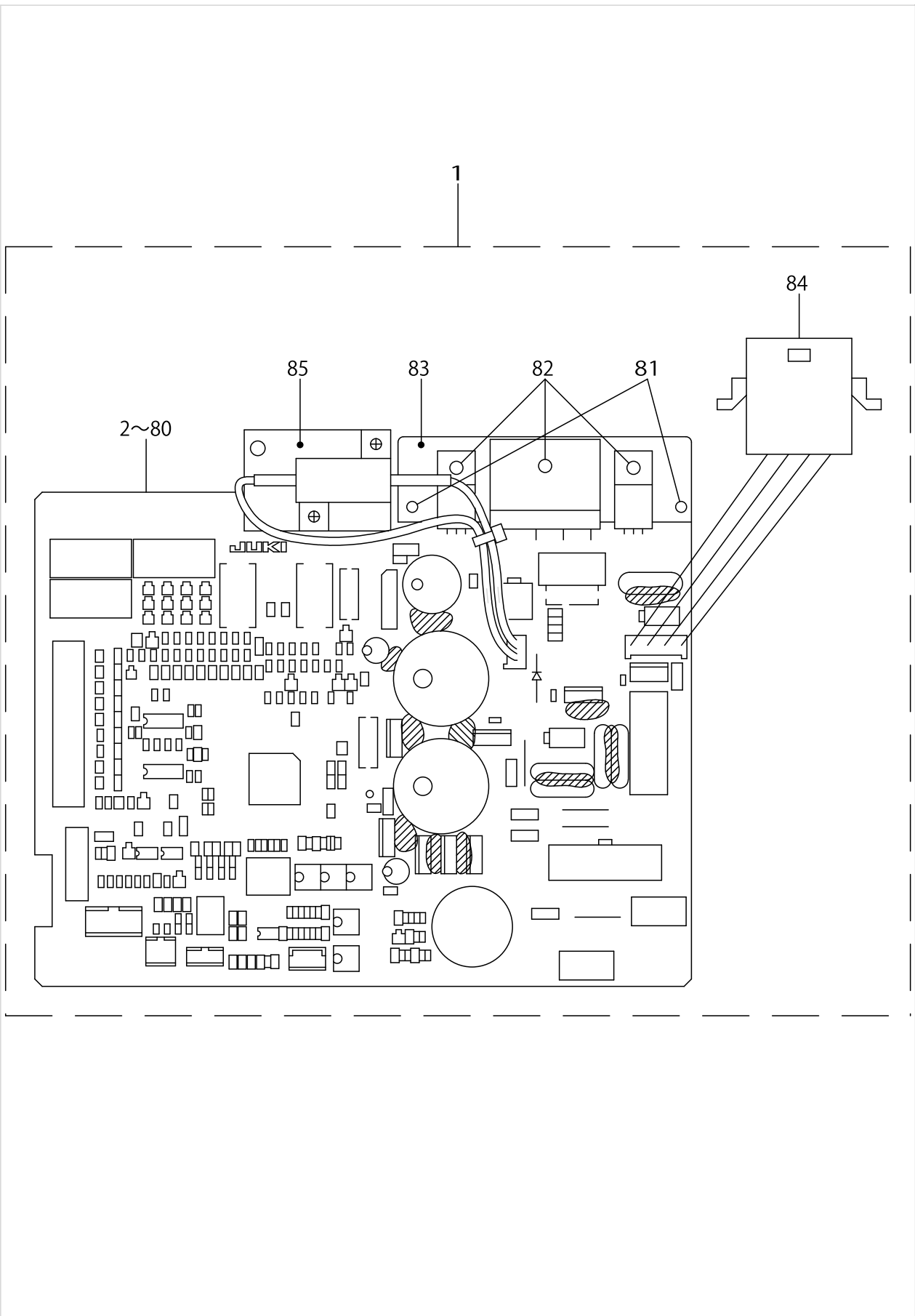
PSC BOX COMPONENTS



PSC BOX COMPONENTS

No.	Parts No.	Parts name	Remarks	Level	Cons	Qty
1	M3002430000	BOX SUSPEND METAL FITTINGS				2
2	SL4041201CF	SCREW M4 L=12				4
3	M85034300A0	BOX COVER ASM.				1
4	M8002430000	STOPPER		*		3
5	SL4042091SC	SCREW M4X0.7 L=20		*		3
6	M3001439000	PSC BOX B				1
7	M3002439000	PSC BOX B (CE)	FOR CE			1
8	SL4041081SF	SCREW M4 L=10				6
9	M3301439000	RUBBER BUSH				1
10	M85064350A0	RADIATION RESISTANCE ASM.				1
11	SL4041081SF	SCREW M4 L=10				1
12	SL4031081SF	SCREW M3 L=10				2
13	M8502439AA0	TRANSFORMER ASM.,A	FOR 220~240V			1
14	M8502439CA0	TRANSFORMER ASM.,C	FOR 110,220V			1
15	SL4041081SF	SCREW M4 L=10				1
16	SL4041081SF	SCREW M4 L=10				4
17	M8502439BA0	TRANSFORMER ASM.,B	FOR CE			1
18	HK044350030	3-POLE TERMINAL BASE.		*		1
19	SM4030801SF	SCREW M3X0.5 L=8		*		2
20	M8801435000	INSULATING WASHER		*		2
21	WP0430801SC	WASHER 4.3X9X0.8		*		2
22	SM4045551SF	SCREW M4 L=55		*		2
23	EA9500B0100	CABLE BAND		*		1
24	M85084350A0	AC INPUT POWER SOURCE CORD ASM	FOR CE			1
25	HX00252000B	CORD PART	FOR CE			1
26	M3302435000	RUBBER COVER.	FOR CE			1
27	HF008811000	FUSE HOLDER.	FOR CE			1
28	HF003000200	FUSE 2A (220/240V)	FOR CE			1
29	M8505439BA0	PEDAL SENSOR UNIT B ASM.				1
30	M85074390A0A	VR MOUNT PLATE ASM.		*		1
31	M85084390A0A	VR ASM.		*		1
32	M3210430000	SENSOR VR FITTING PLATE		*		1
33	EA9500B0100	CABLE BAND		*		1
34	M3205301000	PEDAL LEVER		*		1
35	M2003110000	PEDAL LINK		*		1
36	M2004110000	VOLUME LINK		*		1
37	M4012351000	ADJUST SCREW		*		2
38	M2010110000	ADJUST NUT		*		2
39	M4008351000A	SPRING SHAFT A		*		1
40	M4011351000	SPRING B		*		2
41	M4009351000A	SPRING SHAFT B		*		1
42	M3202430000	SPRING		*		1
43	SM8040802TP	SCREW M4X8		*		2
44	SL4030681SF	SCREW M3 L=6		*		2
45	SM4030801SF	SCREW M3X0.5 L=8		*		1
46	SL4041081SF	SCREW M4 L=10		*		3
47	M3201435000	PEDAL SENSOR BASE		*		1

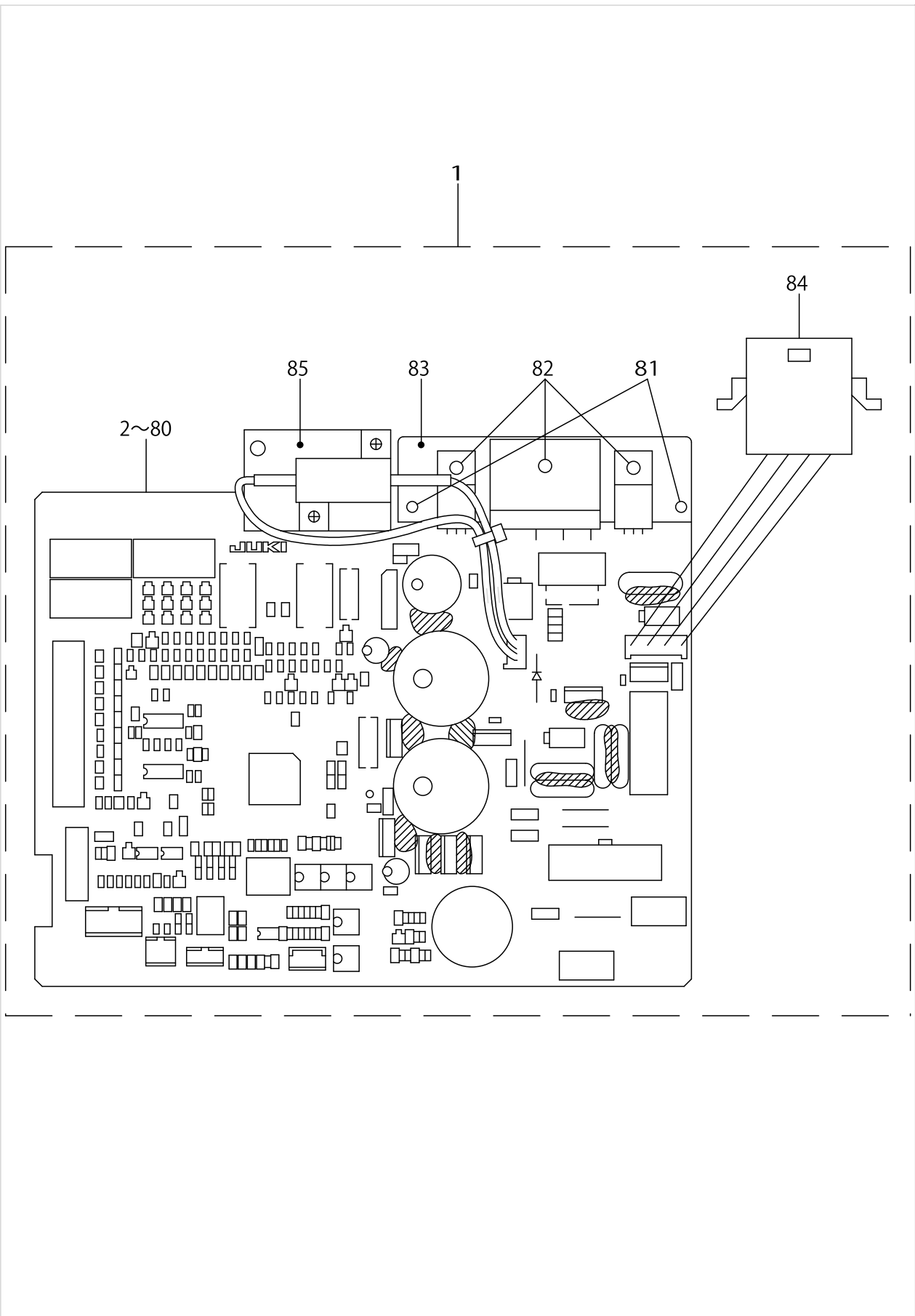
MAIN CIRCUIT BOARD COMPONENTS



MAIN CIRCUIT BOARD COMPONENTS

No.	Parts No.	Parts name	Remarks	Level	Cons	Qty
1	M8601439AA0A	MAIN CIRCUIT BOARD ASM. A				1
2	M8601439000	MAIN CIRCUIT BOARD		*		1
3	HL008450000	IC (UPC339G)		*		2
4	HL006320000	IC (UPC393G)		*		1
5	HL013100000	IC (UPC358G2)		*		1
6	HL013240000	IC (M51957BFP)		*		1
7	HL017480000	EEPROM 93LC46		*		1
8	KL000000060	MICRO COMPUTER		*		1
9	HT004880000	TRANSISTOR ARRAY (XP1211)		*		7
10	HT002880000	TRANSISTOR (RN1406)		*		4
11	HT002920000	TRANSISTOR (RN2406)		*		2
12	HT004900000	FET (2SK2462)		*		3
13	HT004910000	FET (2SK2461)		*		3
14	HT004400000	TRANSISTER (2SD1795)		*		1
15	HT004440000	TRANSISTOR (2SC3739)		*		1
16	HG003760000	DIODE (FMM-22S)		*		1
17	HG005220000	DIODE (SC015-2)		*		7
18	HG26740140P	DIODE (U05E)		*		2
19	HG003710000	DIODE (1SS226)		*		1
20	HG006200000	DIODE ARRAY (1SS321)		*		1
21	HG006190000	DIODE ARRAY (1SS301)		*		13
22	HG005640000	DIODE BRIGDE (S1VB20)		*		1
23	HG005630000	DIODE BRIGDE (RBV1506)		*		1
24	HG003740000	LIGHT EMITTING DIODE,RED		*		1
25	HK034600040	HEADER 4P (WHITE)		*		1
26	HK03460002B	HEADER 2P (YELLOW)		*		1
27	HK056600200	STRAIGHT HEADER 20P		*		1
28	HK032000030	STRAIGHT HEADER 3P		*		1
29	HK003810070	7-POLE STRAIGHT PLUG		*		1
30	HK019800040	HEADER 4P		*		1
31	HK04890012A	HEADER 12P		*		1
32	HK00632007B	7 POLE CONNECTOR		*		1
33	HK034600140	14-POLE CONNECTOR		*		1
34	HK034600020	HEADER 2P (WHITE)		*		1
35	HK04890006A	HEADER 6P		*		1
36	HN00037000B	SURGE ABSORBER 220V		*		1
37	HN000370000	SURGE ABSORBER 22V		*		4
38	HC037304720	CAPACITOR 4700MF/25V		*		1
39	HC040603320	CAPACITOR 3300MF/50V		*		2
40	HC037301010	CAPACITOR 100MF/25V		*		2
41	HC0377033S0	CAPACITOR 0.33MF/35V		*		1
42	HC0216010S0	CAPACITOR 0.1MF		*		25
43	HC0216010T0	CAPACITOR 0.01MF		*		21
44	HC036511020	CAPACITOR 1000PF		*		14
45	HC037811010	CAPACITOR 100PF		*		1
46	HR02230472A	RESISTOR 4.7K OHM 2W		*		1
47	HR029101000	RESISTOR 10 OHM 1W		*		3

MAIN CIRCUIT BOARD COMPONENTS



MAIN CIRCUIT BOARD COMPONENTS

No.	Parts No.	Parts name	Remarks	Level	Cons	Qty
48	HR029104720	RESISTOR 4.7K OHM 1W		*		1
49	HR017705100	RESISTOR 51 OHM 5W		*		1
50	HR02230220A	RESISTOR 22 OHM 2W		*		1
51	HR039412100	RESISTOR 1% 1/16W 121		*		1
52	HR039437400	RESISTOR 1% 1/16W 374		*		1
53	HR039426110	RESISTOR 1% 1/16W 2.61K		*		1
54	HR039410010	RESISTOR 1% 1/16W 1.0K		*		1
55	HR039459020	RESISTOR 1% 1/16W 59.0K		*		4
56	HR039301010	RESISTOR 5% 1/16W 100		*		18
57	HR039301020	RESISTOR 5% 1/16W 1.0K		*		31
58	HR039302220	RESISTOR 5% 1/16W 2.2K		*		10
59	HR039303320	RESISTOR 5% 1/16W 3.3K		*		2
60	HR039304720	RESISTOR 5% 1/16W 4.7K		*		42
61	HR039306820	RESISTOR 5% 1/16W 6.8K		*		1
62	HR039308220	RESISTOR 5% 1/16W 8.2K		*		1
63	HR039301030	RESISTOR 5% 1/16W 10.0K		*		14
64	HR039304730	RESISTOR 5% 1/16W 47K		*		7
65	HR039301040	RESISTOR 5% 1/16W 100K		*		2
66	HR039301540	RESISTOR 5% 1/16W 150K		*		1
67	HR034330100	RESISTOR 1% 1/10W 301		*		3
68	HR034203020	RESISTOR 5% 1/10W 3K		*		7
69	HR034201030	RESISTOR 5% 1/10W 10K		*		2
70	HR034202730	RESISTOR 5% 1/10W 27K		*		2
71	HR034203910	RESISTOR 5% 1/10W 390		*		2
72	HR034205610	RESISTOR 5% 1/10W 560		*		2
73	HR02770103A	ADJUSTABLE RESISTOR		*		5
74	HA003880000	SWITCH		*		2
75	HA001820080	DIP SWITCH 8P		*		3
76	HA001820040	DIP SWITCH 4P		*		1
77	E9646252G00	LEVER		*		2
78	HY001390000	OSCILLATOR		*		1
79	HL013320000	IC (78M12F)		*		1
80	HL010540000	IC(TA7805S)		*		1
81	SL4030881SF	SCREW M3 L=8		*		2
82	SL4031081SF	SCREW M3 L=10		*		3
83	M8001430000	RADIATOR PLATE		*		1
84	M85034350A0	CLUTCH BRAKE CORD ASM.		*		1
85	M85044350A0	RADIATOR RESISTOR		*		1



## HOW TO MAKE USE OF THIS PARTS LIST

1.As to "#01" and "#02" refer to the "Note" given at the bottom of the respective pages.

2.Codes on the "Qty" column

- Each numeral indicates the number of parts required.
- "0.1" and "2.5" indicate the length (in meters) of the respective parts.

3.Parentheses mean that the corresponding part is a subpart that constructs an assembly part.

4.Dotted lines on the Figures indicate assembly parts.

1. リストページの# 0 1、# 0 2の印は、ページ下の"注記"の説明を参照下さい。
2. 数量欄の数字は、個数を表し、0. 1、2. 5等の数値は、長さ（単位メートル）を表します。
3. 数量欄の（ ）は、組部品を構成している子部品であることを意味します。
4. イラストページの-----枠は、組構成であることを意味します。

# NUMERICAL INDEX OF PARTS

PART NO	PAGE	REF NO.	PART NO	PAGE	REF NO.	PART NO	PAGE	REF NO.
E9646252G00	6	2~80	HR017705100	6	2~80	M3202430000	2	42
EA9500B0100	2	33	HR02230220A	6	2~80	M3205301000	2	34
HA001820040	6	2~80	HR02230472A	4	2~80	M3210430000	2	32
HA001820080	6	2~80	HR02770103A	6	2~80	M3301439000	2	9
HA003880000	6	2~80	HR029101000	4	2~80	M3302435000	2	26
HC0216010S0	4	2~80	HR029104720	6	2~80	M4008351000A	2	39
HC0216010T0	4	2~80	HR034201030	6	2~80	M4009351000A	2	41
HC036511020	4	2~80	HR034202730	6	2~80	M4011351000	2	40
HC037301010	4	2~80	HR034203020	6	2~80	M4012351000	2	37
HC037304720	4	2~80	HR034203910	6	2~80	M8001430000	6	83
HC0377033S0	4	2~80	HR034205610	6	2~80	M8002430000	2	4
HC037811010	4	2~80	HR034330100	6	2~80	M8502439AA0	2	13·14
HC040603320	4	2~80	HR039301010	6	2~80	M8502439BA0	2	17
HF003000200	2	28	HR039301020	6	2~80	M8502439CA0	2	13·14
HF008811000	2	27	HR039301030	6	2~80	M85034300A0	2	3
HG003710000	4	2~80	HR039301040	6	2~80	M85034350A0	6	84
HG003740000	4	2~80	HR039301540	6	2~80	M85044350A0	6	85
HG003760000	4	2~80	HR039302220	6	2~80	M8505439BA0	2	29
HG005220000	4	2~80	HR039303320	6	2~80	M85064350A0	2	10
HG005630000	4	2~80	HR039304720	6	2~80	M85074390A0A	2	30
HG005640000	4	2~80	HR039304730	6	2~80	M85084350A0	2	24
HG006190000	4	2~80	HR039306820	6	2~80	M85084390A0A	2	31
HG006200000	4	2~80	HR039308220	6	2~80	M8601439000	4	2~80
HG26740140P	4	2~80	HR039410010	6	2~80	M8601439AA0A	4	1
HK003810070	4	2~80	HR039412100	6	2~80	M8801435000	2	20
HK00632007B	4	2~80	HR039426110	6	2~80	SL4030681SF	2	44
HK019800040	4	2~80	HR039437400	6	2~80	SL4030881SF	6	81
HK032000030	4	2~80	HR039459020	6	2~80	SL4031081SF	2	12
HK034600020	4	2~80	HT002880000	4	2~80	SL4031081SF	6	82
HK03460002B	4	2~80	HT002920000	4	2~80	SL4041081SF	2	46
HK034600040	4	2~80	HT004400000	4	2~80	SL4041201CF	2	2
HK034600140	4	2~80	HT004440000	4	2~80	SL4042091SC	2	5
HK044350030	2	18	HT004880000	4	2~80	SM4030801SF	2	45
HK04890006A	4	2~80	HT004900000	4	2~80	SM4045551SF	2	22
HK04890012A	4	2~80	HT004910000	4	2~80	SM8040802TP	2	43
HK056600200	4	2~80	HX00252000B	2	25	WP0430801SC	2	21
HL006320000	4	2~80	HY001390000	6	2~80			
HL008450000	4	2~80	KL000000060	4	2~80			
HL010540000	6	2~80	M2003110000	2	35			
HL013100000	4	2~80	M2004110000	2	36			
HL013240000	4	2~80	M2010110000	2	38			
HL013320000	6	2~80	M3001439000	2	6			
HL017480000	4	2~80	M3002430000	2	1			
HN000370000	4	2~80	M3002439000	2	7			
HN00037000B	4	2~80	M3201435000	2	47			