

MODEL : SC-801/CP-560

List No : 1226-02

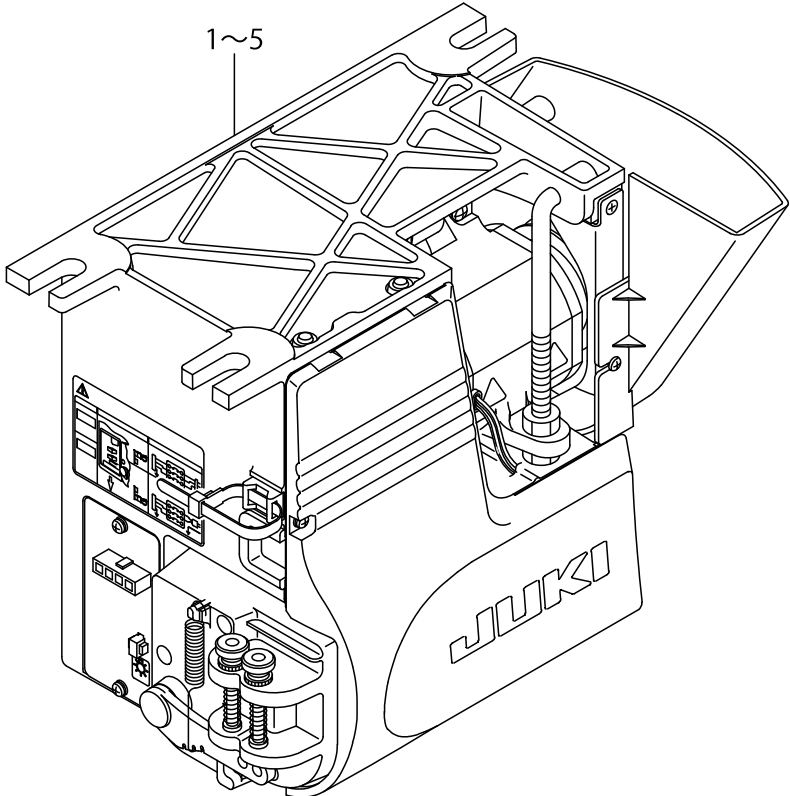
PARTS LIST

Published:09/10/2017

CONTENTS

STANDARD MOTOR COMBINATION LIST.....	1
PSC UNIT COMPONENTS (1)	3
PSC UNIT COMPONENTS (2)	5
ACCESSORIE PART COMPONENTS	9
PANEL COMPONENTS.....	11
INDICATION PANEL COMPONENTS	13
HOW TO MAKE USE OF THIS PARTS LIST	15

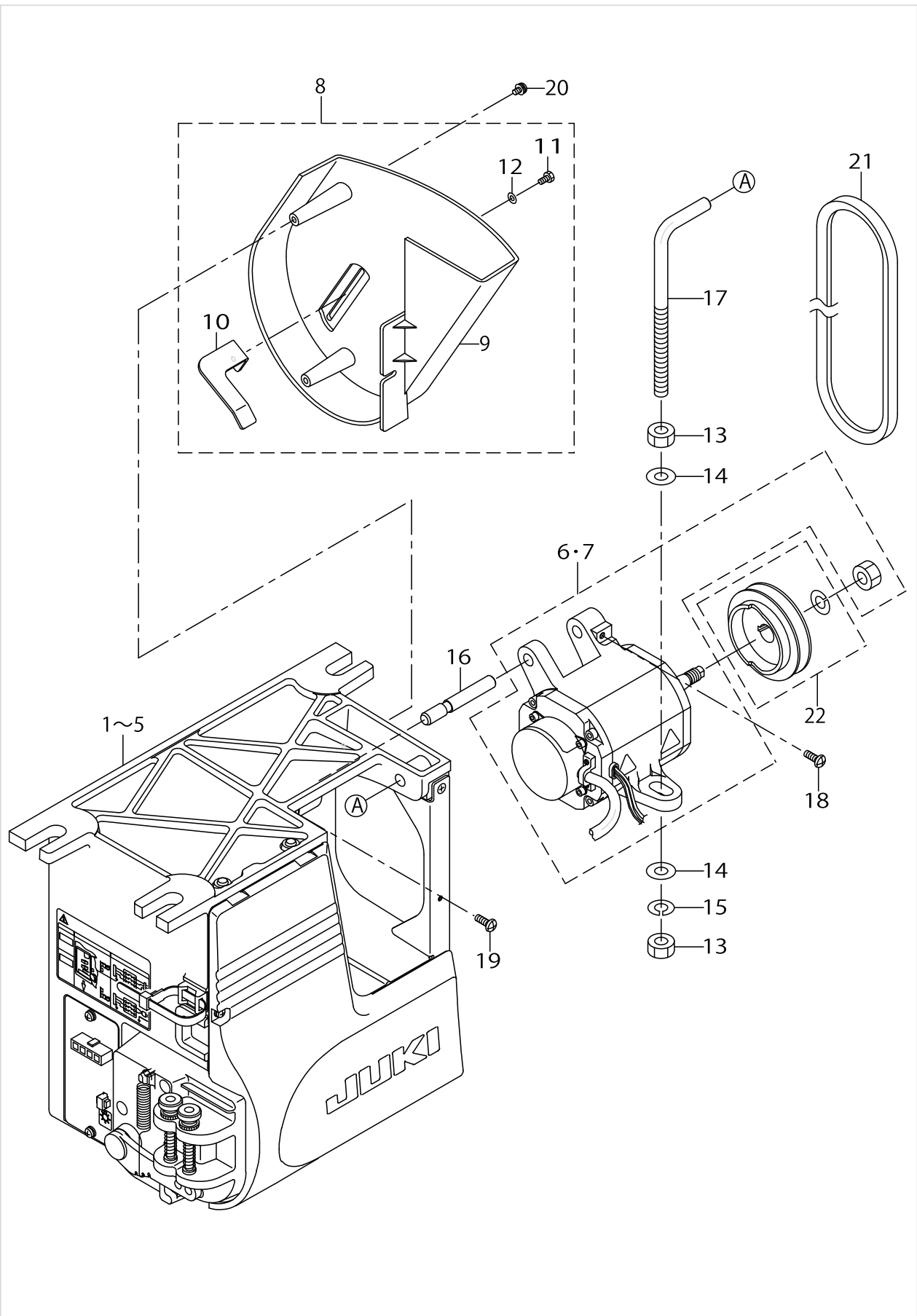
STANDARD MOTOR COMBINATION LIST



STANDARD MOTOR COMBINATION LIST

No.	Parts No.	Parts name	Remarks	Level	Cons	Qty
1	M2112462BA0	SC-801 GENERAL EXPORT 3				1
2	M2112462CA0	SC-801 GENERAL EXPORT 1				1
3	M2112462DA0	SC-801 CE PFL 1 220V				1
4	M2112462EA0	SC-801 JUS PFL 3 200V				1
5	M2112462FA0	SC-801 JUS PFL 3 100V				1

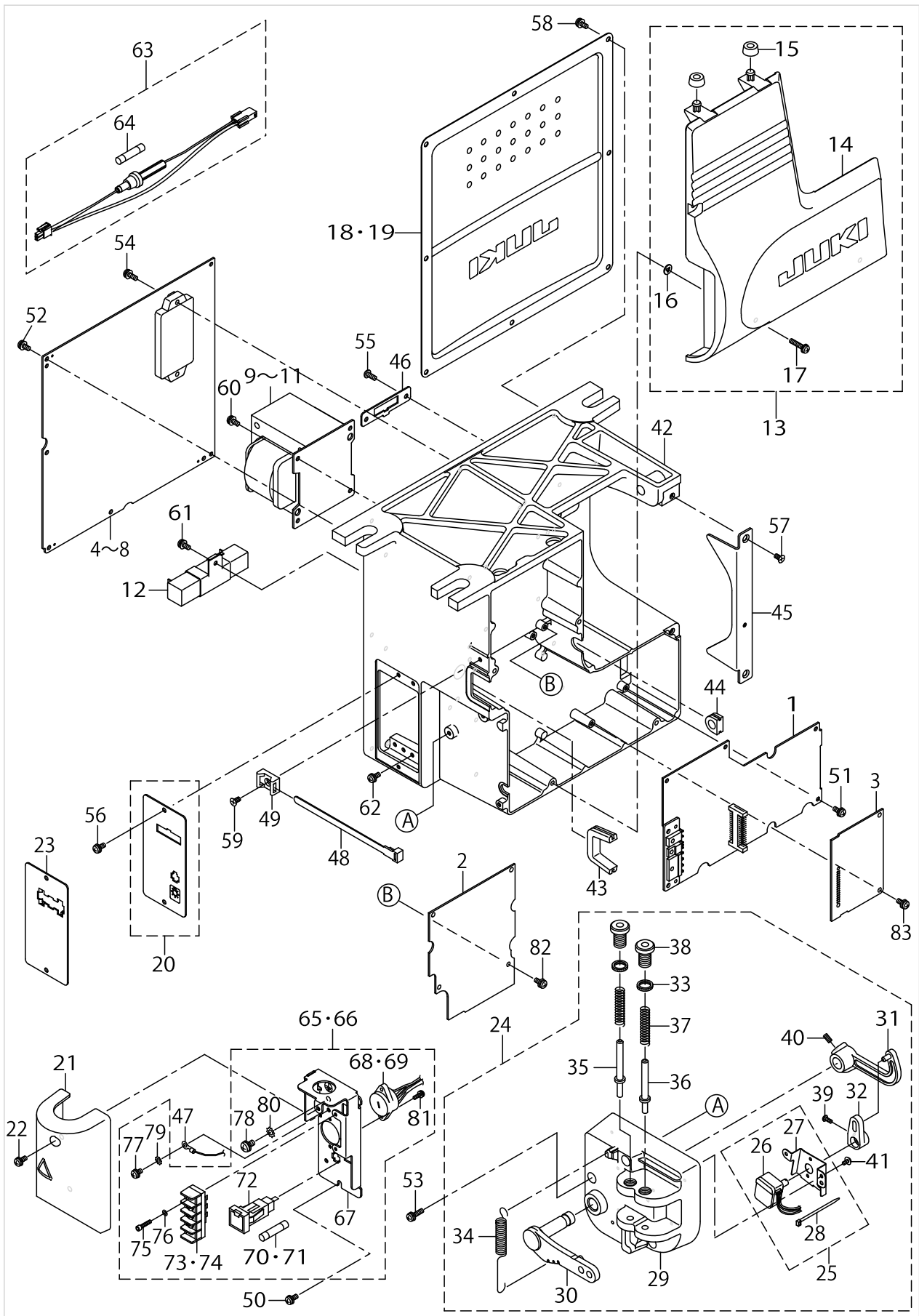
PSC UNIT COMPONENTS (1)



PSC UNIT COMPONENTS (1)

No.	Parts No.	Parts name	Remarks	Level	Cons	Qty
1	M2102462BA0	SC-801 GENERAL EXPORT 3	FOR M2112-462-BA0			1
2	M2102462CA0	SC-801 GENERAL EXPORT 3	FOR M2112-462-CA0			1
3	M2102462DA0	SC-801 CE PFL 1 220V	FOR M2112-462-DA0			1
4	M2102462EA0	SC-801 JUS PFL 3 200V	FOR M2112-462-DA0			1
5	M2102462FA0	SC-801 JUS PFL 1 100V	FOR M2112-462-FA0			1
6	M6001461CA0	MOTOR ASM.,C	FOR GENERAL EXPORT			1
7	M6001461DA0	MOTOR ASM.,D	FOR CE,JUS			1
8	M3601461AA0	PULLEY COVER A ASM.				1
9	M3601461000	PULLEY COVER		*		1
10	M3602461000	BELT STOPPER		*		1
11	SM9040803SF	SCREW M4X8		*		1
12	WP0430801SE	WASHER 4.3X9X0.8		*		1
13	NM6100011SF	NUT M10				2
14	WP1052001SE	WASHER 10.5X21X2				2
15	WS1020002KR	SPRING WASHER, M10				1
16	M4201461000	MOTOR SUPPORT SHAFT				1
17	M4202461000	MOTOR SUPPORT BOLT				1
18	SM4051405SE	SCREW M5 L=14				1
19	SM4051405SE	SCREW M5 L=14				1
20	SL4040891SC	SCREW M4 L=8				3
21	MTJVH00380A	V-BELT, 38 INCH				1
22	MTSP0070AA0	MOTOR PULLEY ASM. P.C.D. 70				1

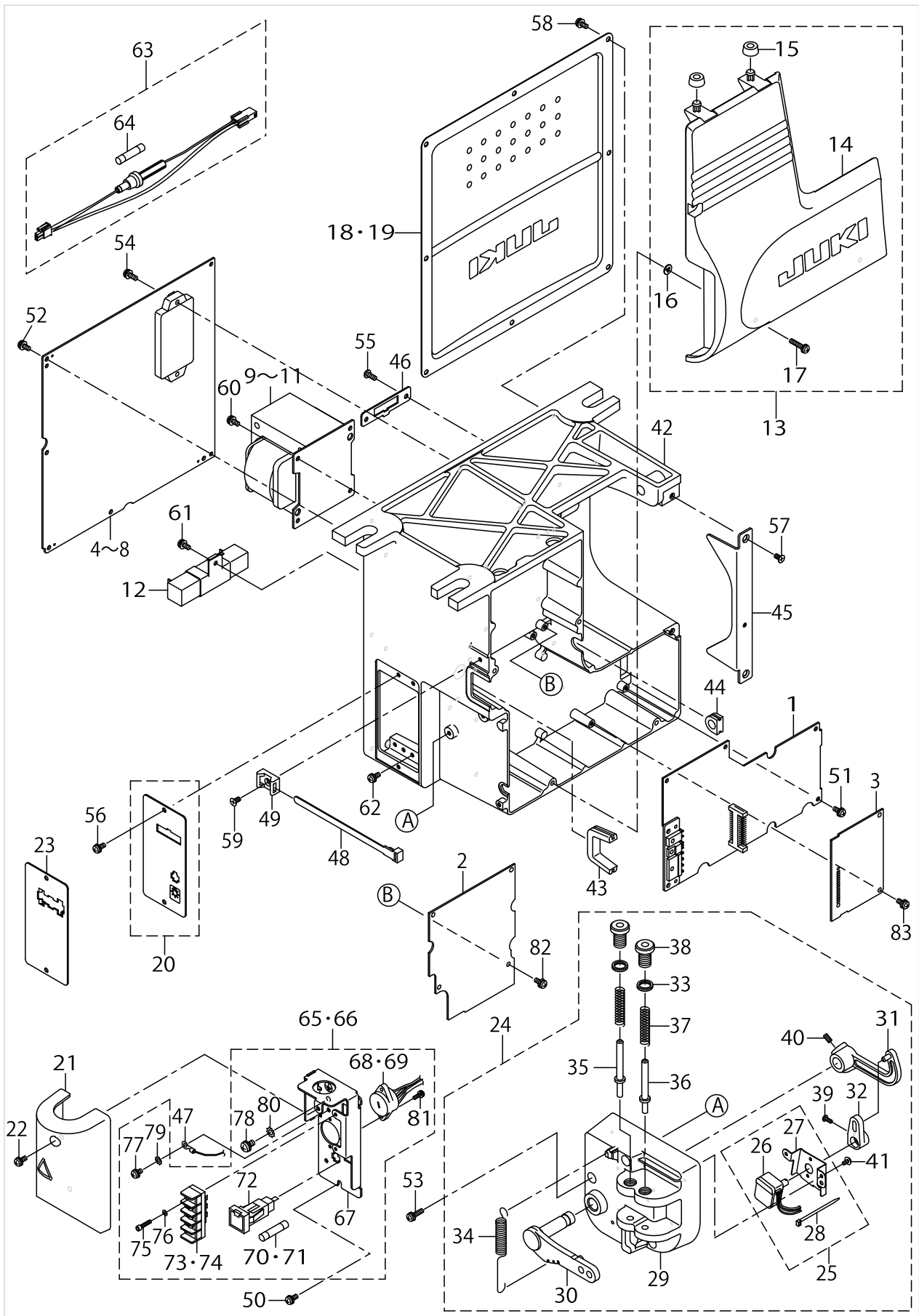
PSC UNIT COMPONENTS (2)



PSC UNIT COMPONENTS (2)

No.	Parts No.	Parts name	Remarks	Level	Cons	Qty
1	M8601471DAA	CTL CIRCUIT BOARD DA ASM.				1
2	M8601462AA0	EPF CIRCUIT BOARD A ASM.				1
3	M8606461AA0	OP CIRCUIT BOARD ASM. A				1
4	M8604461AA0	PWR-U CIRCUIT BOARD A ASM.	FOR EXPORT 3-PHASE 200~240V			1
5	M8603461AA0	PWR-E CIRCUIT BOARD A ASM.	FOR EXPORT 1-PHASE 200~240V			1
6	M8605461AA0	PWR-C CIRCUIT BOARD A ASM.	FOR CE			1
7	M8607461AA0	PWR-S CIRCUIT BOARD A ASM.	FOR JUS 100~120V			1
8	M8604461BA0	PWR-U CIRCUIT BOARD B ASM.	FOR JUS 200~240V			1
9	M8501461BA0	POWER TRANSFORMER B ASM.	FOR 200V(EXCEPT CE)			1
10	M8501461CA0	POWER TRANSFORMER C ASM.	FOR JUS 100~120V			1
11	M8501461DA0	POWER TRANSFORMER D ASM.	FOR CE			1
12	M8502461AA0	RESISTOR A ASM.				1
13	M3201462CA0	BOX FRONT COVER C ASM.				1
14	M3201461000	FRONT COVER		*		1
15	M3202461000	BOX FRONT COVER SUPPORT RUBBER		*		2
16	M8002430000	STOPPER		*		3
17	SL4042091SC	SCREW M4X0.7 L=20		*		3
18	M3401461000	BOX REAR PANEL				1
19	M3401461BA0	BOX REAR COVER B ASM.	FOR CE,JUS			1
20	M3802461AA0	CONNECTOR FIXED PLATE A ASM.	FOR GENERAL EXPORT			1
21	M3806461AA0	TERMINAL BASE COVER A ASM.	FOR JUS			1
22	SL4041081SC	SCREW M4 L=10	FOR JUS			2
23	M3804461000	CONNECTOR FIXED PLATE(CE)	FOR CE			1
24	M4001461BA0	PEDAL SENSOR B ASM.				1
25	M4006461AA0	SENSOR FIXED PLATE A ASM.		*		1
26	M8508461AA0	SENSOR A ASM.		*		1
27	M4006461000	SENSOR INSTALLING PLATE		*		1
28	EA9500B0100	CABLE BAND		*		1
29	M4001461000	PEDAL SENSOR BASE		*		1
30	M4002461000	PEDAL LEVER		*		1
31	M4004461000	PEDAL RING		*		1
32	M4005461000	VOLUME LINK		*		1
33	M2010110000	ADJUST NUT		*		2
34	M4007351000	FRONT SPRING		*		1
35	M4008351000A	SPRING SHAFT A		*		1
36	M4009351000A	SPRING SHAFT B		*		1
37	M4011351000	SPRING B		*		2
38	M4012351000	ADJUST SCREW		*		2
39	SM4030801SF	SCREW M3X0.5 L=8		*		1
40	SM8040802TP	SCREW M4X8		*		2
41	SV4030601SR	SCREW M3 L=6		*		2
42	M3001461000	ELECTRICAL BOX				1
43	M3002461000	RUBBER BUSH A				1
44	M1014110000	CORD BUSH B				1
45	M3801461000	PULLEY COVER INSTALLING PLATE				1
46	M3803461000	MOTOR CONNECTOR FIXED PLATE				1
47	M8503461DA0	FG CORD D ASM.	FOR JUS			1

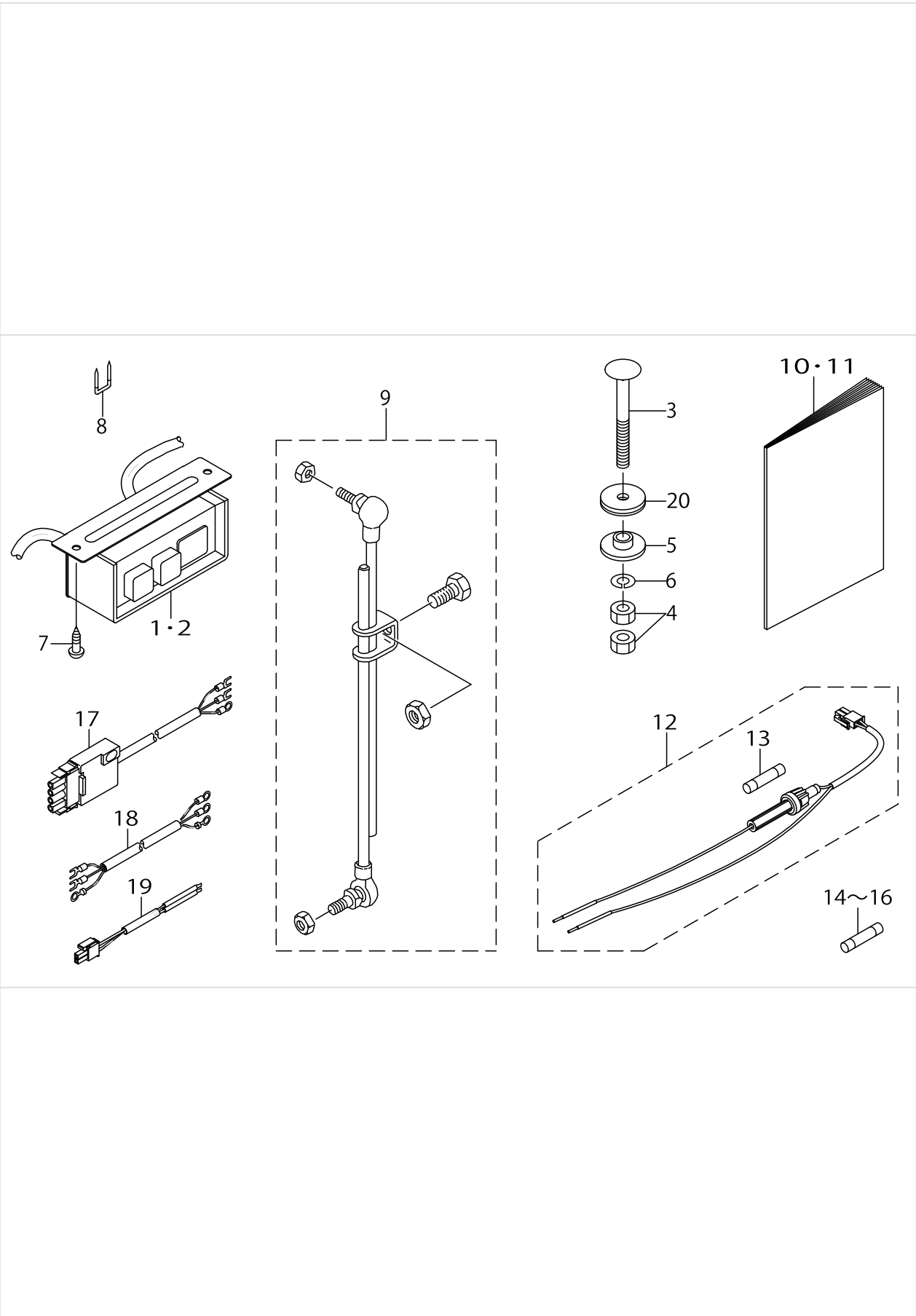
PSC UNIT COMPONENTS (2)



PSC UNIT COMPONENTS (2)

No.	Parts No.	Parts name	Remarks	Level	Cons	Qty
48	HX00292000A	CONNECTING PART				1
49	HX004540000	TIE MOUNT				1
50	SL4041081SF	SCREW M4 L=10	FOR JUS			2
51	SL4041081SF	SCREW M4 L=10				6
52	SL4041081SF	SCREW M4 L=10				5
53	SL4041681SF	SCREW M4 L=16				3
54	SL4041281SF	SCREW M4 L=12				2
55	SL4041081SF	SCREW M4 L=10				2
56	SL4041081SC	SCREW M4 L=10				2
57	SM1040801SC	SCREW M4X0.7 L=8				2
58	SL4041081SC	SCREW M4 L=10				8
59	SM1040801SC	SCREW M4X0.7 L=8				1
60	SL4041081SF	SCREW M4 L=10				4
61	SL4041081SF	SCREW M4 L=10				1
62	SL4041091SE	SCREW M4 L=10				4
63	M8511461AA0	LAMP FUSE A ASM.	FOR JUS			1
64	HF001400500	TIME LAG FUSE 5A	FOR JUS	*		1
65	M3805461BA0	TERMINAL BASE B ASM.	FOR JUS 100~120V			1
66	M3805461AA0	TERMINAL BASE A ASM.	FOR JUS 200~240V			1
67	M3805461000	TERMINAL BASE	FOR JUS	*		1
68	M8510461BA0	VOLTAGE SELECTOR B ASM.	FOR JUS 100~120V	*		1
69	M8510461AA0	VOLTAGE SELECTOR A ASM.	FOR JUS 200~240V	*		1
70	HF0079040P0	FUSE 4A	FOR JUS 100~120V	*		1
71	HF0079020P0	FUSE 2A	FOR JUS 100~120V	*		1
72	HF009511000	FUSE HOLDER	FOR JUS	*		1
73	HK04905003B	TERMINAL BASE	FOR JUS	*		1
74	HK04905002A	TERMINAL BASE 2P	FOR JUS	*		1
75	SM6031402TP	SCREW	FOR JUS	*		2
76	WS0310002KP	SPRING WASHER	FOR JUS	*		2
77	SL4040885SH	SCREW M4 L=8	FOR JUS	*		1
78	SL4051085SH	SCREW M5X10	FOR JUS	*		1
79	WT0430001KN	TOOTHED WASHER	FOR JUS	*		1
80	WT0530001KN	TOOTHED LOCK WASHER	FOR JUS	*		1
81	SL4031081SF	SCREW M3 L=10	FOR JUS	*		2
82	SL4041081SF	SCREW M4 L=10				4
83	SL4041081SF	SCREW M4 L=10				2

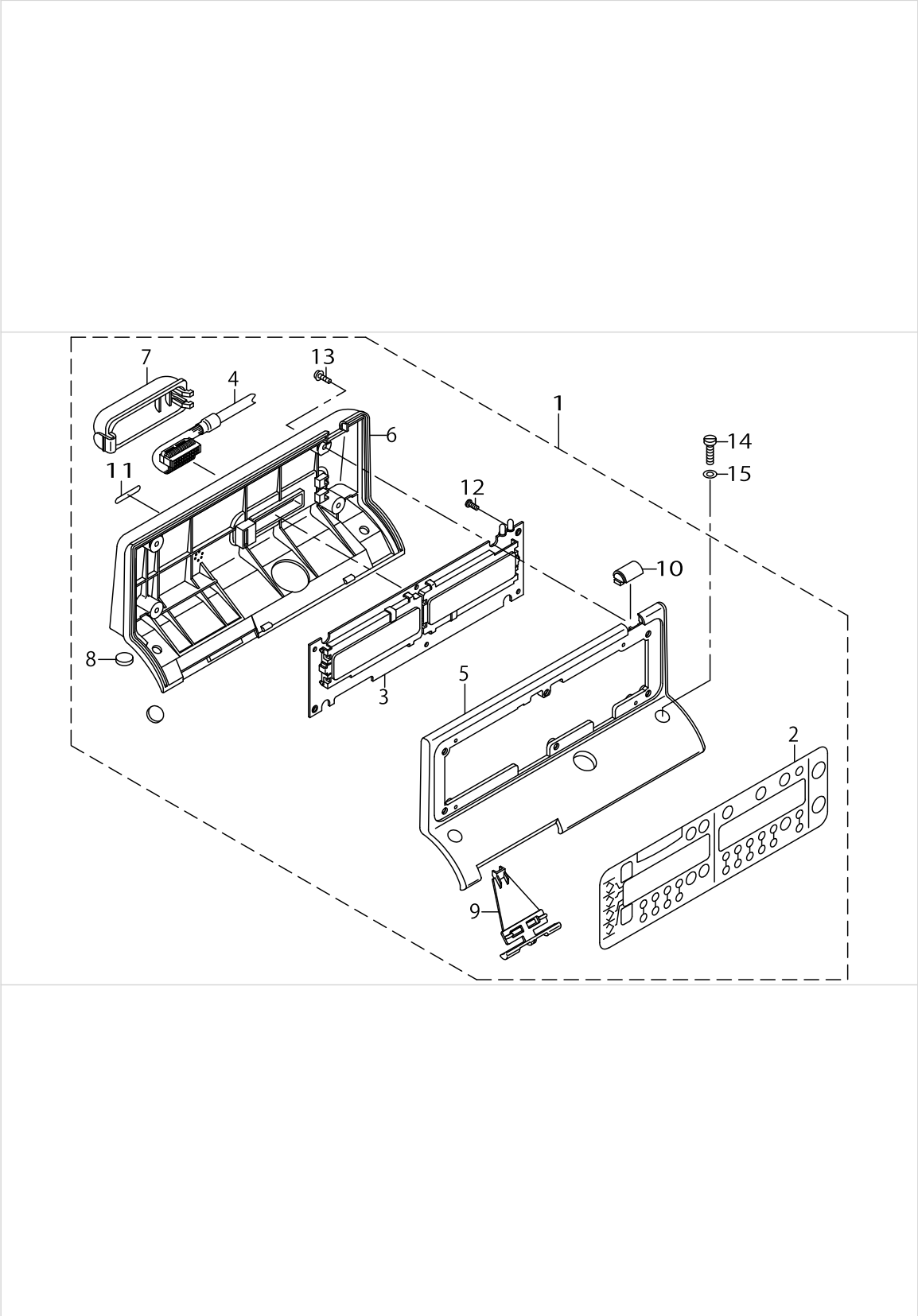
ACCESSORIE PART COMPONENTS



ACCESSORIE PART COMPONENTS

No.	Parts No.	Parts name	Remarks	Level	Cons	Qty
1	M6101461AA0	POWER SWITCH A ASM.	FOR 3-PHASE 200~240V			1
2	M6101461CA0	POWER SWITCH C ASM.	FOR 1-PHASE 200~240V			1
3	D8211555D00	BOLT				3
4	NM6080002SC	NUT M8				6
5	M4205461000	WASHER				3
6	WS0820002KR	SPRING WASHER, M8				3
7	SK3512001SF	WOOD SCREW				2
8	MAO11532000	CORD STAPLE				5
9	D7114555BAB	CONNECTING ROD ASM. (B)				1
10	29298502	SC-801 INSTRUCTION MANUAL				1
11	29312501	SC-801 INSTRUCTION MANUAL				1
12	M8525351AA0	LAMP FUSE HOLDER ASM., A				1
13	M9644110000	FUSE 8A		*		1
14	HF0079020P0	FUSE 2A	FOR 200~240V			1
15	HF0079040P0	FUSE 4A	FOR JUS 100~120V			1
16	HF0078020P0	FUSE 2A	FOR CE			1
17	M6105461DAA	PSC UNIT CABLE ASM.(CE)	FOR CE			1
18	M6102461DAA	AC INPUT CABLE ASM.(CE)	FOR CE			1
19	M8526351AA0	LAMP CORD ASM., A	FOR JUS			1
20	M4206461000					3

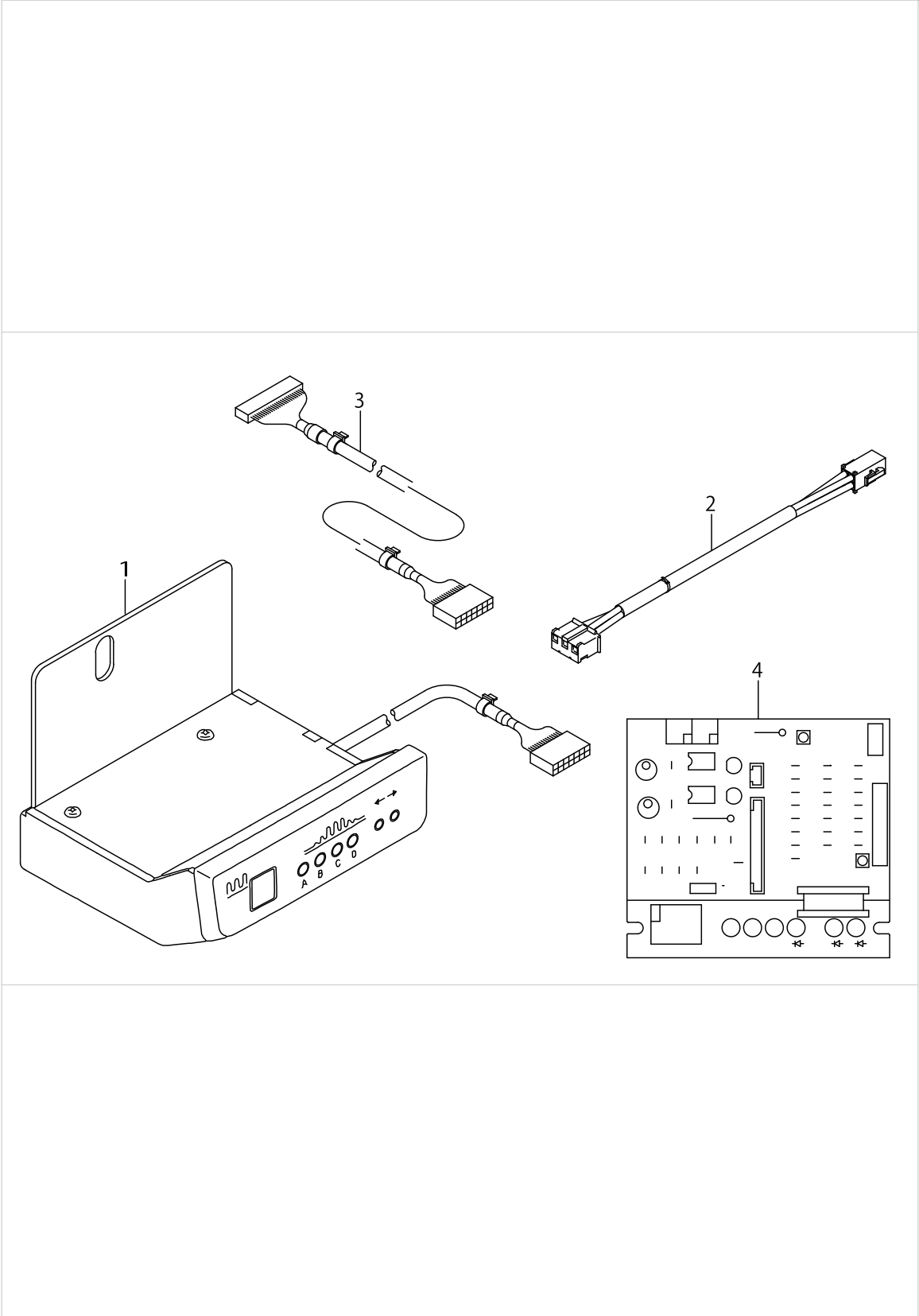
PANEL COMPONENTS



PANEL COMPONENTS

No.	Parts No.	Parts name	Remarks	Level	Cons	Qty
1	M2501386AAA	CP-560 PANEL ASM.				1
2	M11013860A0	CP-560 SWITCH ASM.		*		1
3	M8601378AA0	CIRCUIT BOARD A ASM.		*		1
4	M8501378AA0	CORD A ASM.		*		1
5	M1001371000	FRONT PANEL		*		1
6	M1002371A00	BACK PANEL A		*		1
7	M1003371000	CORD EXIT COVER		*		1
8	M1004302000	RUBBER CUSHION		*		4
9	M1004371000	SPEED ADJUSTING KNOB		*		1
10	M1005371000	INDICATION WINDOW		*		1
11	M7001370A0A	TYPE LABEL AOA		*		1
12	SM4030801SC	SCREW M3 X 8		*		6
13	SV4031006SR	SCREW M3 L=10		*		4
14	SS7121810SN	SCREW 3/16-28 L=18				2
15	WP0531001SC	WASHER				2

INDICATION PANEL COMPONENTS



INDICATION PANEL COMPONENTS

No.	Parts No.	Parts name	Remarks	Level	Cons	Qty
1	M50013530A0	INDICATION PANEL				1
2	M8521353AA0	TURN CORD A ASM.				1
3	M8522353AA0	14P-14P CORD ASM.				1
4	M8602353AA0	SUB PANEL A ASM. (W)				1

HOW TO MAKE USE OF THIS PARTS LIST

1.As to "#01" and "#02" refer to the "Note" given at the bottom of the respective pages.

2.Codes on the "Qty" column

- Each numeral indicates the number of parts required.
- "0.1" and "2.5" indicate the length (in meters) of the respective parts.

3.Parentheses mean that the corresponding part is a subpart that constructs an assembly part.

4.Dotted lines on the Figures indicate assembly parts.

1. リストページの# 0 1、# 0 2の印は、ページ下の"注記"の説明を参照下さい。
2. 数量欄の数字は、個数を表し、0. 1、2. 5等の数値は、長さ（単位メートル）を表します。
3. 数量欄の（ ）は、組部品を構成している子部品であることを意味します。
4. イラストページの-----枠は、組構成であることを意味します。

NUMERICAL INDEX OF PARTS

PART NO	PAGE	REF NO.	PART NO	PAGE	REF NO.	PART NO	PAGE	REF NO.
29298502	10	10·11	M3602461000	4	10	M8522353AA0	14	3
29312501	10	10·11	M3801461000	6	45	M8525351AA0	10	12
D7114555BAB	10	9	M3802461AA0	6	20	M8526351AA0	10	19
D8211555D00	10	3	M3803461000	6	46	M8601378AA0	12	3
EA9500B0100	6	28	M3804461000	6	23	M8601462AA0	6	2
HF001400500	8	64	M3805461000	8	67	M8601471DAA	6	1
HF0078020P0	10	14~16	M3805461AA0	8	65·66	M8602353AA0	14	4
HF0079020P0	8	70·71	M3805461BA0	8	65·66	M8603461AA0	6	4~8
HF0079020P0	10	14~16	M3806461AA0	6	21	M8604461AA0	6	4~8
HF0079040P0	8	70·71	M4001461000	6	29	M8604461BA0	6	4~8
HF0079040P0	10	14~16	M4001461BA0	6	24	M8605461AA0	6	4~8
HF009511000	8	72	M4002461000	6	30	M8606461AA0	6	3
HK04905002A	8	73·74	M4004461000	6	31	M8607461AA0	6	4~8
HK04905003B	8	73·74	M4005461000	6	32	M9644110000	10	13
HX00292000A	8	48	M4006461000	6	27	MAO11532000	10	8
HX004540000	8	49	M4006461AA0	6	25	MTJVH00380A	4	21
M1001371000	12	5	M4007351000	6	34	MTSP0070AA0	4	22
M1002371A00	12	6	M4008351000A	6	35	NM6080002SC	10	4
M1003371000	12	7	M4009351000A	6	36	NM6100011SF	4	13
M1004302000	12	8	M4011351000	6	37	SK3512001SF	10	7
M1004371000	12	9	M4012351000	6	38	SL4031081SF	8	81
M1005371000	12	10	M4201461000	4	16	SL4040885SH	8	77
M1014110000	6	44	M4202461000	4	17	SL4040891SC	4	20
M11013860A0	12	2	M4205461000	10	5	SL4041081SC	6	58
M2010110000	6	33	M4206461000	10	20	SL4041081SC	8	58
M2102462BA0	4	1~5	M50013530A0	14	1	SL4041081SF	8	83
M2102462CA0	4	1~5	M6001461CA0	4	6·7	SL4041091SE	8	62
M2102462DA0	4	1~5	M6001461DA0	4	6·7	SL4041281SF	8	54
M2102462EA0	4	1~5	M6101461AA0	10	1·2	SL4041681SF	8	53
M2102462FA0	4	1~5	M6101461CA0	10	1·2	SL4042091SC	6	17
M2112462BA0	2	1~5	M6102461DAA	10	18	SL4051085SH	8	78
M2112462CA0	2	1~5	M6105461DAA	10	17	SM1040801SC	8	59
M2112462DA0	2	1~5	M7001370A0A	12	11	SM4030801SC	12	12
M2112462EA0	2	1~5	M8002430000	6	16	SM4030801SF	6	39
M2112462FA0	2	1~5	M8501378AA0	12	4	SM4051405SE	4	19
M2501386AAA	12	1	M8501461BA0	6	9~11	SM6031402TP	8	75
M3001461000	6	42	M8501461CA0	6	9~11	SM8040802TP	6	40
M3002461000	6	43	M8501461DA0	6	9~11	SM9040803SF	4	11
M3201461000	6	14	M8502461AA0	6	12	SS7121810SN	12	14
M3201462CA0	6	13	M8503461DA0	6	47	SV4030601SR	6	41
M3202461000	6	15	M8508461AA0	6	26	SV4031006SR	12	13
M3401461000	6	18·19	M8510461AA0	8	68·69	WP0430801SE	4	12
M3401461BA0	6	18·19	M8510461BA0	8	68·69	WP0531001SC	12	15
M3601461000	4	9	M8511461AA0	8	63	WP1052001SE	4	14
M3601461AA0	4	8	M8521353AA0	14	2	WS0310002KP	8	76

NUMERICAL INDEX OF PARTS

PART NO	PAGE	REF NO.
WS0820002KR	10	6
WS1020002KR	4	15
WT0430001KN	8	79
WT0530001KN	8	80