

MODEL : AMB-187N

List No : 1218-00

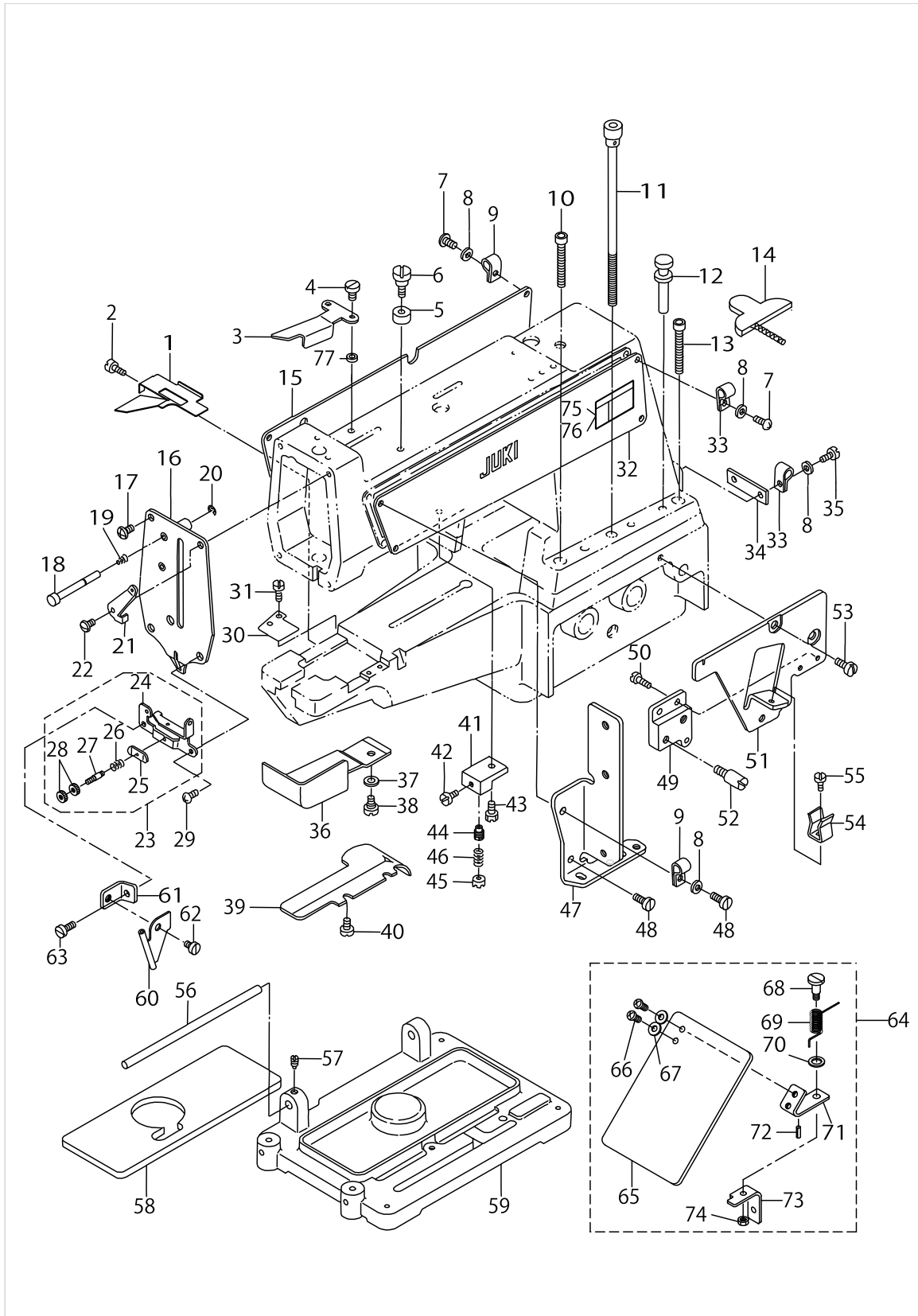
PARTS LIST

Published:09/10/2017

CONTENTS

ARM BED COMPONENTS	1
LOOPER SHAFT MECHANISM COMPONENTS	5
NIPPER & THREAD TENSION PARTS COMPONENTS	9
NEEDLE DRIVING PULLEY SHAFT COMPONENTS	13
NEEDLE BAR DRIVING MECHANISM COMPONENTS	15
X-Y STEPPING MOTOR COMPONENTS (X SHAFT)	17
X-Y STEPPING MOTOR COMPONENTS (Y SHAFT)	21
X-Y FRAME COMPONENTS	25
CHUCK COMPONENTS.....	29
CHUCK TURN OVER COMPONENTS	33
TANG COMPONENTS.....	37
WIPER & PRESSER COMPONENTS	39
STAND & TABLE COMPONENTS.....	41
2-JOINT PEDAL COMPONENTS.....	45
MISCELLANEOUS COVER & CORD COMPONENTS.....	47
PNEUMATIC COMPONENTS	49
THREAD STAND COMPONENTS.....	53
MOTOR PULLEY COMPONENTS	55
CONTROL BOX COMPONENTS	57
OPTION COMPONENTS	61
BUTTON LODER COMPONENTS (1).....	63
BUTTON LODER COMPONENTS (2).....	67
HOW TO MAKE USE OF THIS PARTS LIST	71

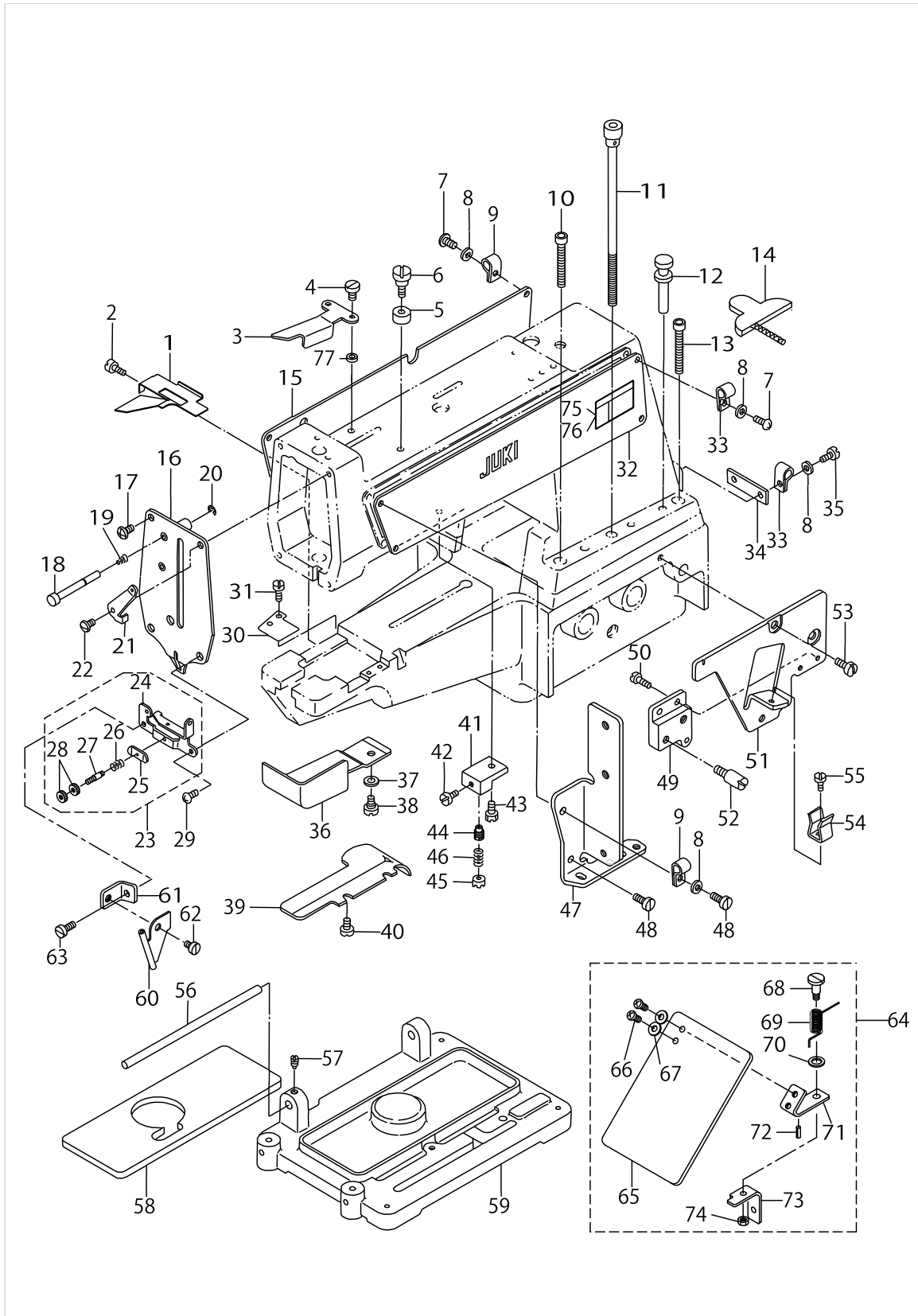
ARM BED COMPONENTS



ARM BED COMPONENTS

No.	Parts No.	Parts name	Remarks	Level	Cons	Qty
1	25003500	BUTTON COVER				1
2	SS6110480SP	SCREW 11/64-40 L=4.3				1
3	17801309	COVER A				1
4	SS6090620SP	SCREW 9/64-40 L=6				2
5	17801804	STOPPER				1
6	SD0791271SP	HINGE SCREW D= 7.94 H=12.7				1
7	SS4120915SP	SCREW 3/16-28 L=9				6
8	WP0531000SC	WASHER 5.3X10X1				5
9	HX00150000D	CABLE CLIP				2
10	SM6086002TP	SCREW				2
11	25000456	SET SCREW ASM.				1
12	25000308	GUID PIN				2
13	SM6085002TP	SCREW				2
14	17803057	OIL DRIP FELT, SMALL				1
15	17811068	SIDE COVER (LEFT) ASM.				1
16	17962358	FACE PLATE ASM.				1
17	SS4120915SP	SCREW 3/16-28 L=9				1
18	B3127372000	NIPPER RELEASING STUD				1
19	B3149123A00	TENSION SPRING				1
20	RE0320000K0	E-RING 3.2				1
21	17802307	THREAD GUIDE				1
22	SS5120810SP	SCREW				1
23	25002957	THREAD TENSION N0.3 ASM.				1
24	17802216	TENSION ADJUSTING BASE NO.3		*		1
25	B1131521000	THREAD PRESSER PLATE		*		1
26	B1136850000	TENSION SPRING B		*		1
27	25002809	THREAD TENSION STUD		*		1
28	25002908	THREAD TENSION NUT		*		2
29	SS6111210SP	SCREW 11/64-40 L=12				1
30	17962408	RECEIVING PLATE				1
31	SS6090610SP	SCREW 9/64-40 L= 5.5				2
32	17810912	SIDE COVER, RIGHT				1
33	HX00150000F	CABLE CLIP				3
34	17801408	COVER B				1
35	SS6120940SP	SCREW 3/16-28 L=9				2
36	17961905	LOOPER COVER				1
37	WS0650389KP	SPRING WASHER 6.5X14.0X17				1
38	SD0600271SP	HINGE SCREW D= 6 H= 2.7				1
39	B1119373000	BED OIL SHIELD				1
40	SS7110840SP	SCREW 11/64-40 L=7.8				2
41	17812207	SLIDER TRAY				1
42	SS6110670TP	SCREW 11/64-40 L=6.5				1
43	SS9161610SP	SCREW 1/4-24 L=16				1
44	25003203	SLIDER RECEIVER				1
45	B2574220000	SLIDER				1
46	B2576220000	SLIDER SPRING				1
47	17966714	MERKER INSTALLING PLATE				1

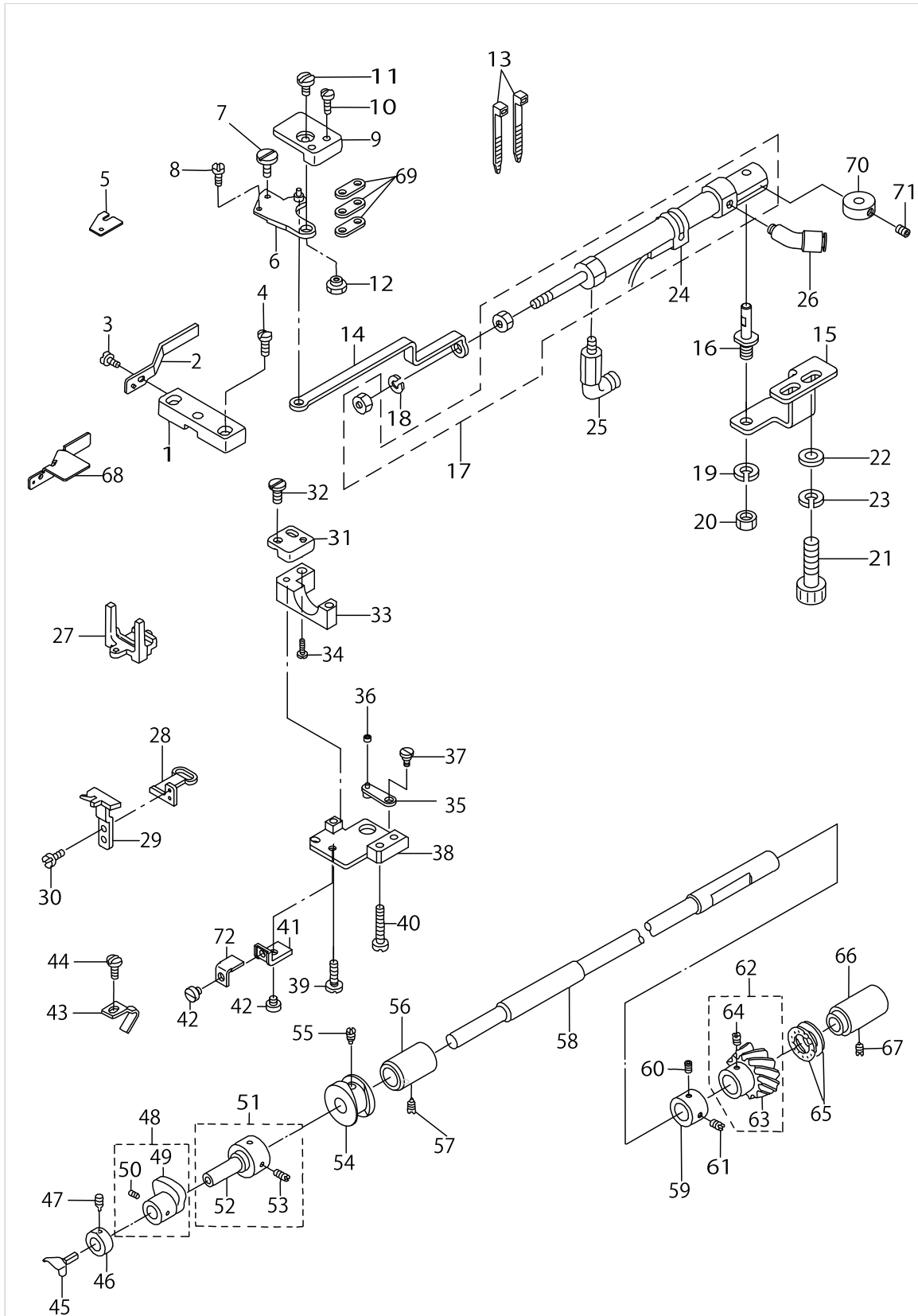
ARM BED COMPONENTS



ARM BED COMPONENTS

No.	Parts No.	Parts name	Remarks	Level	Cons	Qty
48	SS6121210SP	SCREW 3/16-28 L=12				2
49	17962200	COVER INSTALLING PLATE, B				1
50	SS6090520SP	SCREW 9/64-40 L= 5.0				2
51	17962101	COVER INSTALLING PLATE, A				1
52	B1120372000	SCREW STUD				1
53	SS7151340TP	SCREW 15/64-28 L=12.5				2
54	B1111372000	SIDE COVER SPRING				1
55	SS6090520SP	SCREW 9/64-40 L= 5.0				1
56	B1110372000	SIDE COVER HINGE SHAFT				1
57	SS8151150SP	SCREW 15/64-28 L=10.5				1
58	B1104372A00	OIL DRIP FELT (A) 5MM				1
59	17812405	BED INSTALLING BASE				1
60	25003906	AIR NOZZLE				1
61	25003807	AIR NOZZLE BASE				1
62	SS6110480SP	SCREW 11/64-40 L=4.3				1
63	SS6121210SP	SCREW 3/16-28 L=12				1
64	25003757	SAFETY PLATE ASM.				1
65	17811803	SAFETY PLATE		*		1
66	SS4110715SP	SCREW 11/64-40 L=7		*		2
67	WP0450801SD	WASHER 4.5X10X0.8		*		2
68	SD0601021SP	HINGE SCREW D=6 H=10.2		*		1
69	13943204	SAFETY PLATE RETURN SPRING		*		1
70	WP0740516SP	WASHER 7.4X11.8X0.5		*		1
71	17811902	INSTALLING PLATE		*		1
72	PS0200062KH	SPRING PIN 2X6		*		1
73	B3115372000	SAFETY PLATE INSTALLING BASE		*		1
74	NS6110310SP	NUT 11/64-40		*		1
75	CM300200101	SAFETY LABEL, 1(SMALL).	FOR DOMESTIC USE			1
76	CM3002001A1	SAFETY LABEL.,3 (SMALL).	FOR EXPORT			1
77	17802505	COLLAR A				1

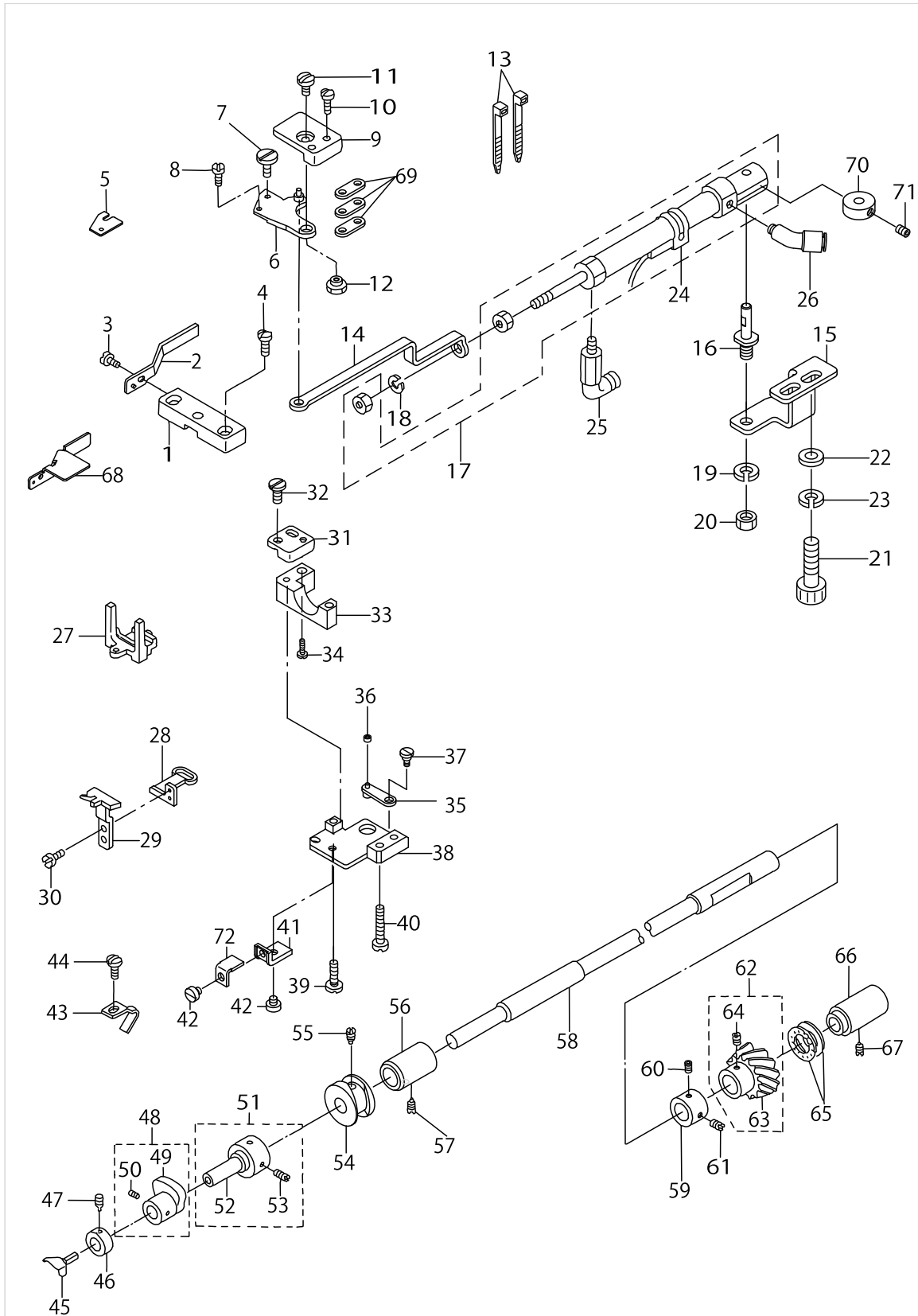
LOOPER SHAFT MECHANISM COMPONENTS



LOOPER SHAFT MECHANISM COMPONENTS

No.	Parts No.	Parts name	Remarks	Level	Cons	Qty
1	25003609	THROAT PLATE				1
2	17961400	KNIFE COVER				1
3	SS6090540SP	SCREW 9/64-40 L= 5.0				1
4	SS7111410SP	SCREW 11/64-40 L=14				2
5	17962507	MOVING KNIFE				1
6	25003062	MOVING KNIFE HOLDER PLATE ASM.				1
7	SS7080310TP	SCREW 1/8-44 L=3.2				1
8	SS6050180SL	SCREW 5/64-64 L=1.2				1
9	17962903	MOVING KNIFE INSTALLING PLATE				1
10	SS7111810TP	SCREW 11/64-40 L=18				2
11	SS7110830SP	SCREW 11/64-40 L= 7.5				1
12	17962804	NUT				1
13	EA9500B0200	CABLE BAND 150				2
14	17963018	THREAD CUTTER CONNECTING PLATE				1
15	17807900	CYLINDER INSTALLING PLATE B				1
16	17805607	CYLINDER SHAFT				1
17	PA1504001A0	CYLINDER				1
18	WS0510002KN	SPRING WASHER				1
19	WS0610002KN	SPRING WASHER 6.1X12.2X1.5				1
20	NM6060001SC	NUT M6				1
21	SM6061602TN	SCREW M6 L=16				2
22	WP0641600SC	WASHEW 6.4X12.5X1.6				2
23	WS0610002KN	SPRING WASHER 6.1X12.2X1.5				2
24	PX500043000	BAND				1
25	PJ304040507	LONG ELBOW UNION				1
26	PJ309040501	ELBOW UNION				1
27	25001108	YORK SLIDE SUPPORT				1
28	25001009	INSTALLING PLATE				1
29	25000704	YORK SLIDE				1
30	SS6090670TP	SCREW 9/64-40 L=6				2
31	25000605	SUPPORT BASE PLATE				1
32	SS4110910TP	SCREW 11/64-40 L=9				2
33	25000902	SUPPORT BASE				1
34	SS7111810SP	SCREW 11/64-40 L=18				1
35	25001355	FRONT-AND-REAR ASM.				1
36	B1232372000	LOOP POSITIONING FINGER LEVER				1
37	SD0640241SP	HINGE SCREW D= 6.35 H= 2.4				1
38	25000803	RECIVING PLATE				1
39	SS7111410TP	SCREW 11/64-40 L=14				1
40	SS7112420SP	SCREW 11/64-40 L=24				1
41	25002502	YORK SLIDE GUIDE A				1
42	SS6110480SP	SCREW 11/64-40 L=4.3				2
43	17961202	THROAT GUIDE				1
44	SS7110840SP	SCREW 11/64-40 L=7.8				1
45	B1239372000	LOOPER				1
46	CS0790741TH	THRUST COLLAR				1
47	17804006	SCREW				1

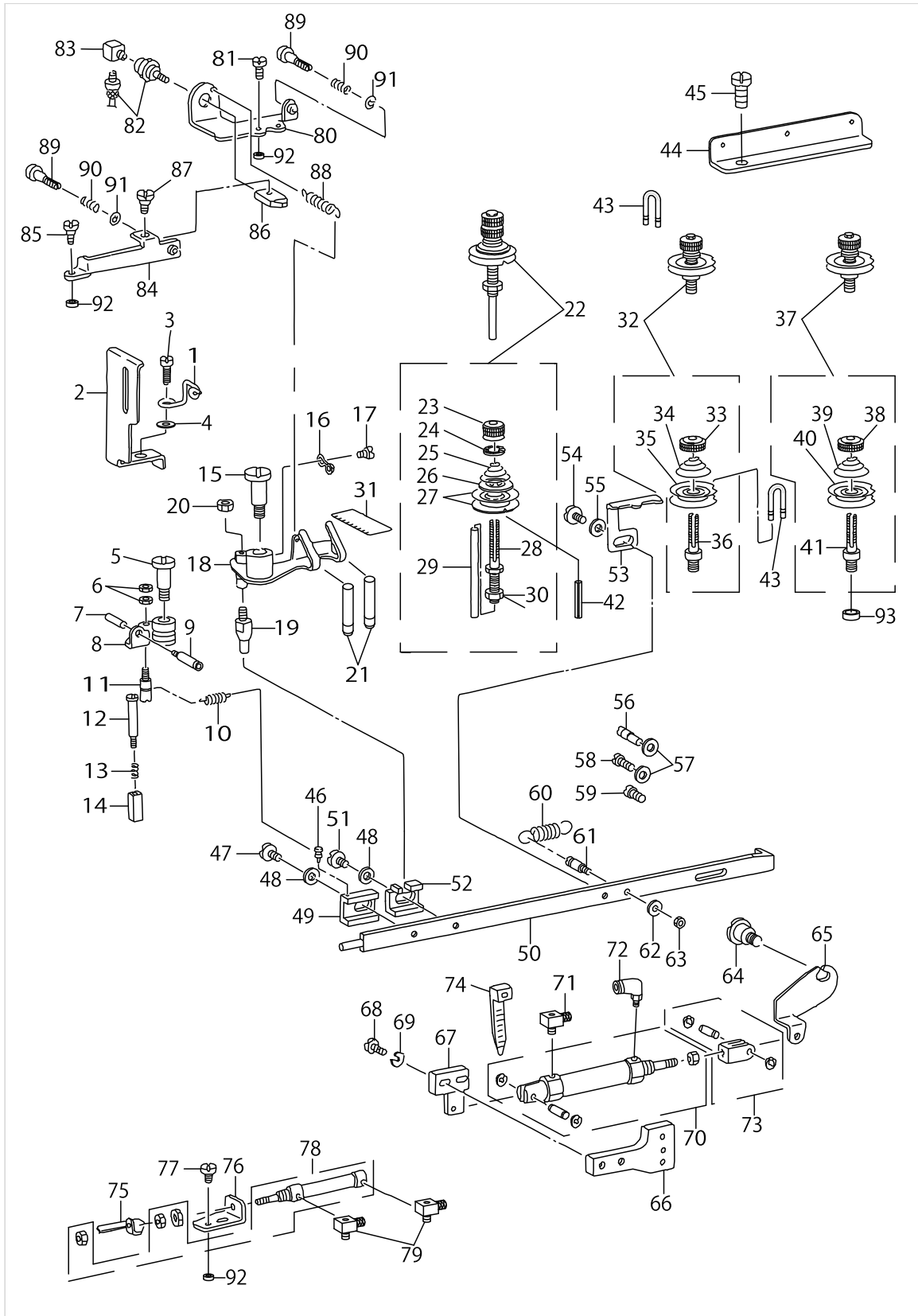
LOOPER SHAFT MECHANISM COMPONENTS



LOOPER SHAFT MECHANISM COMPONENTS

No.	Parts No.	Parts name	Remarks	Level	Cons	Qty
48	17805359	CAM ASM.				1
49	17805300	CAM		*		1
50	SS8110410TP	SCREW 11/64-40 L= 3.5		*		2
51	17804253	LOOPER SHAFT ASM.				1
52	17804204	LOOPER SHAFT		*		1
53	SS8150410TP	SCREW 15/64-28 L= 4.0		*		2
54	25001405	YORK SLIDE CAM				1
55	SS8110410TP	SCREW 11/64-40 L= 3.5				1
56	B1227372000A	LOOPER SHAFT BUSHING, FRONT				1
57	SS8151150SP	SCREW 15/64-28 L=10.5				1
58	17803909	LOOPER SHAFT				1
59	CS1111019SH	THRUST COLLAR D=11.11 W=10				1
60	SS8660512TP	SCREW 1/4-40 L=5				1
61	SS8660330SP	SCREW 1/4-40 L= 3.0				1
62	B12243720A0	LOOPER SHAFT DRIVEN GEAR ASM.				1
63	B1224372000	LOOPER SHAFT DRIVEN GEAR (B)		*		1
64	SS8660612TP	SCREW 1/4-40 L=6		*		2
65	B1215372A00	THRUST BALL BEARING				1
66	B1222372000	LOOPER SHAFT BUSHING, REAR				1
67	SS8151150SP	SCREW 15/64-28 L=10.5				1
68	25009101	KNIFE COVER	OPTIONAL PARTS (FOR DOMESTIC USE)			1
69	25003104	MOVING KNIFE SPACER				3
70	16658700	COLLAR B				1
71	SM8040602TP	SCREW M4X0.7 L=6				1
72	25002601	YORK SLIDE GUIDE B				1

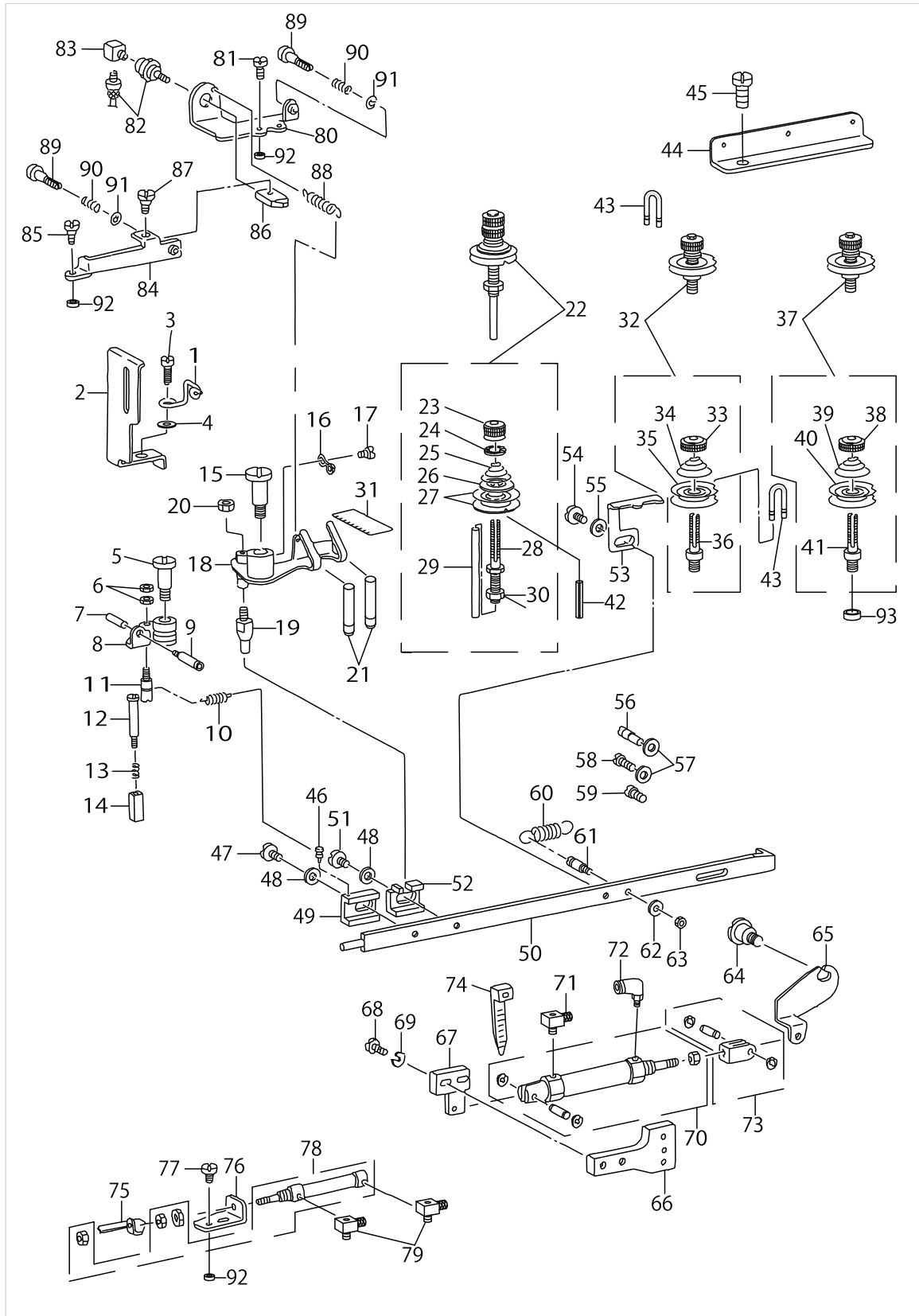
NIPPER & THREAD TENSION PARTS COMPONENTS



NIPPER & THREAD TENSION PARTS COMPONENTS

No.	Parts No.	Parts name	Remarks	Level	Cons	Qty
1	B2038372000	THREAD GUIDE NO. 2				1
2	B1421372000	NEEDLE BAR GUARD				1
3	SS7151210SP	SCREW 15/64-28 L=12				1
4	WP0621016SD	WASHER 6.2X13X1				1
5	SD0791271SP	HINGE SCREW D= 7.94 H=12.7				1
6	NS6080210SP	NUT 1/8-44				2
7	B2035372000	NUT				1
8	B20313720A0	THREAD NIPPER ASM.				1
9	B2034372000	THREAD RELEASING SCREW STUD				1
10	B2037372000	NIPPER BAR BLOCK SPRING				1
11	B2036372000	NIPPER BAR BLOCK SPRING SCREW				1
12	SD0402001TP	SCREW D=4 H=20				1
13	B2029372000	NIPPER BLOCK SPRING				1
14	B2028372000	NIPPER BLOCK				1
15	SD0791501SP	HINGE SCREW D= 7.94 H=15.0				1
16	B2040373000	THREAD GUIDE				1
17	SS7090510SP	SCREW 9/64-40 L= 4.6				1
18	17808452	THREAD TENSION LEVER				1
19	B2026372000	THREAD ADJUSTING LEVER PIN				1
20	NS6660430SP	NUT 1/4-40				1
21	B2024372000A	THREAD GUIDE PIN				2
22	B20193720AA	TESION POST ASM., NO.2				1
23	B3125012000	THREAD TENSION NUT		*		1
24	B3120125000	ROTATING STOPPER		*		1
25	B2021372000	THREAD TENSION SPRING NO.2		*		1
26	B3132012000	TENSION DISC HOLDER		*		1
27	B2016372000	TENSION DISC		*		2
28	B2019372000	TENSION POST NO.2		*		1
29	B2020372000	TENSION RELEASE PIN		*		1
30	NS6160520SP	NUT 1/4-24		*		1
31	17800707	SEAL				1
32	B20153720A0	THREAD TENSION ASM. (NO.1)				1
33	B2314019000	TENSION POST NUT		*		1
34	B2017372000	TENSION SPRING NO.1		*		1
35	B2016372000	TENSION DISC		*		2
36	B2015372000	THREAD TENSION STAFF NO. 1		*		1
37	17810052	POST PIN NO.1 ASM.				1
38	B2314019000	TENSION POST NUT		*		1
39	D3129555D00	THREAD TENSION SPRING		*		1
40	B2016372000	TENSION DISC		*		2
41	B2015372000	THREAD TENSION STAFF NO. 1		*		1
42	PS0300162KH	SPRING PIN 3X16				1
43	B2014372000A	THREAD GUIDE				2
44	17961707	THREAD GUIDE NO.1				1
45	SS7151210SP	SCREW 15/64-28 L=12				1
46	B2012372000	NIPPER BAR BLOCK SPRING PIN				1
47	SS6120930TP	SCREW 3/16-28 L=9				1

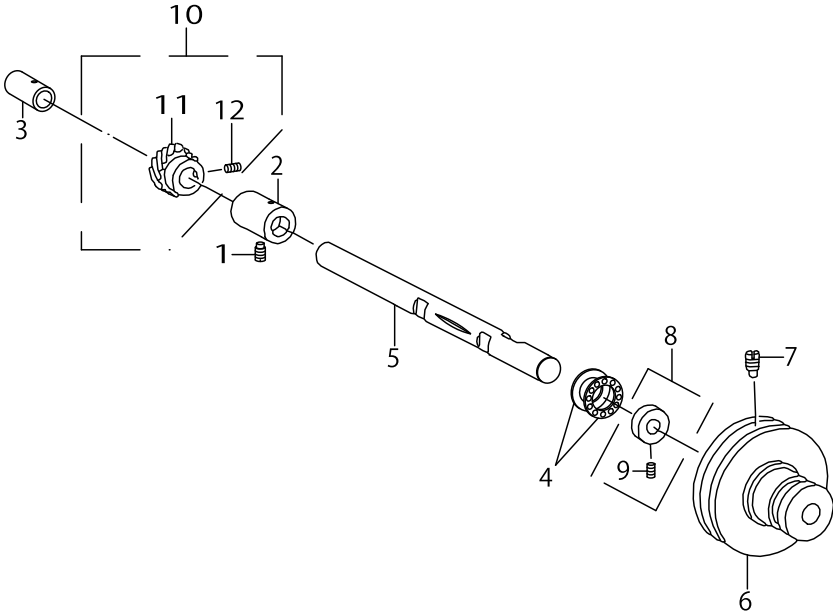
NIPPER & THREAD TENSION PARTS COMPONENTS



NIPPER & THREAD TENSION PARTS COMPONENTS

No.	Parts No.	Parts name	Remarks	Level	Cons	Qty
48	WP0501016SD	WASHER 5X10.5X1				2
49	B2011372000	NIPPER BAR BLOCK				1
50	B2004372000	NIPPER BAR				1
51	SS6120930TP	SCREW 3/16-28 L=9				1
52	17809203	NIPPER BAR BLOCK REAR				1
53	17808106	RELEASE PLATE				1
54	SS6120930TP	SCREW 3/16-28 L=9				1
55	WP0501016SD	WASHER 5X10.5X1				1
56	B2006372000	ADJUSTING SCREW				1
57	WP0480856SP	WASHER 4.8X8.4X0.8				2
58	SS6121610TP	SCREW 3/16-28 L=15.5				1
59	SS6121050SP	SCREW 3/16-28 L= 9.5				1
60	B2008372000	THREAD TENSION SPRING				1
61	B2007372000	NIPPER BAR SPRING SCREW				1
62	WP0371016SD	WASHER 3.7X8X1				1
63	NS6080340SP	NUT 1/8-44				1
64	SD0790802SP	HINGE SCREW D= 7.94 H= 8.0				1
65	17808056	THREAD TENSION PLATE ASM.				1
66	17808205	TENSION GUIDE BASE A				1
67	17808304	TENSION GUIDE BASE B				1
68	SS7111410TP	SCREW 11/64-40 L=14				2
69	WS0451040KP	SPRING WASHER 4.5X8.5X1				2
70	PA1501009A0	CYLINDER				1
71	PJ042050002	ELBOW				1
72	PJ304040504	ELBOW UNION				1
73	PX500020000	KNUCKLE JOINT				1
74	EA9500B0100	CABLE BAND				1
75	17807702	PLATE				1
76	17807801	CYLINDER INSTALLING PLATE A				1
77	SS6120940SP	SCREW 3/16-28 L=9				2
78	PA1003012A0	CYLINDER				1
79	PJ042050002	ELBOW				2
80	17808551	THREAD ADJUSTING BASE ASM.				1
81	SS6120940SP	SCREW 3/16-28 L=9				2
82	PA1000506A0	CYLINDER				1
83	PJ042050002	ELBOW				1
84	17808759	THREAD ADJUSTING LINK ASM.				1
85	SD0790203SP	HINGE SCREW D=7.94 H=2				1
86	17808809	JOINT				1
87	SD0600271SP	HINGE SCREW D= 6 H= 2.7				1
88	17808908	SPRING				1
89	17809005	KNOB				2
90	17809104	SPRING				2
91	B3120125000	ROTATING STOPPER				2
92	17802505	COLLAR A				5
93	17802604	COLLAR B				1

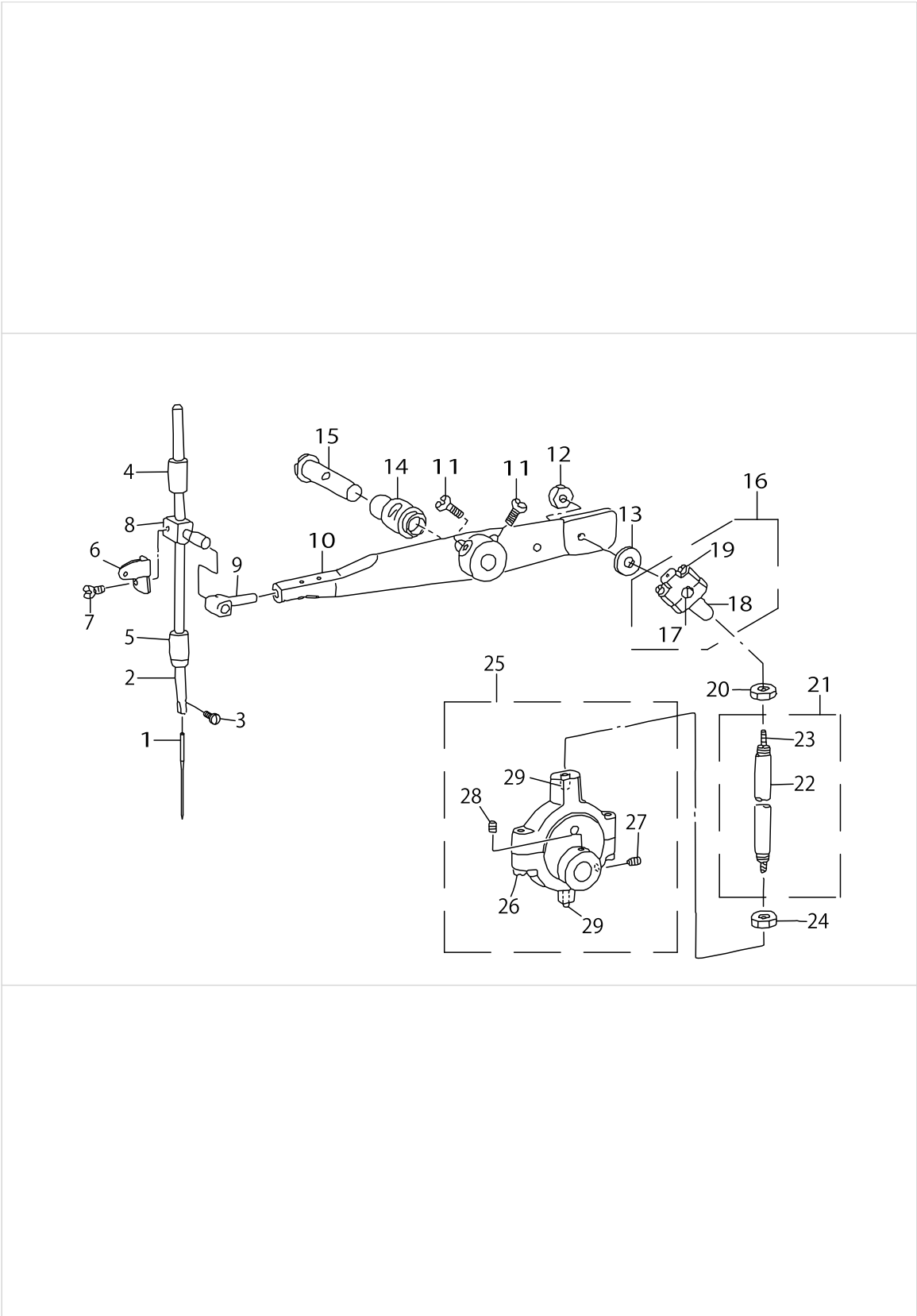
NEEDLE DRIVING PULLEY SHAFT COMPONENTS



NEEDLE DRIVING PULLEY SHAFT COMPONENTS

No.	Parts No.	Parts name	Remarks	Level	Cons	Qty
1	SS8151150SP	SCREW 15/64-28 L=10.5				1
2	B1216372000	PULLEY SHAFT BUSHING, RIGHT				1
3	B1223372000	PULLEY SHAFT BUSING, LEFT				1
4	B1215372B00	THRUST BALL BEARING				1
5	17804303	DRIVE SHAFT				1
6	17804402	HAND WHEEL				1
7	SS8151550SP	SCREW 15/64-28 L=15				2
8	CS127101ASH	THRUST COLLAR ASM. D=12.7 W=10				1
9	SS8660610TP	SCREW 1/4-40 L=6		*		2
10	B12173720A0	DRIVING GEAR ASM.				1
11	B1217372000	DRIVING GEAR (A)		*		1
12	SS8660612TP	SCREW 1/4-40 L=6		*		2

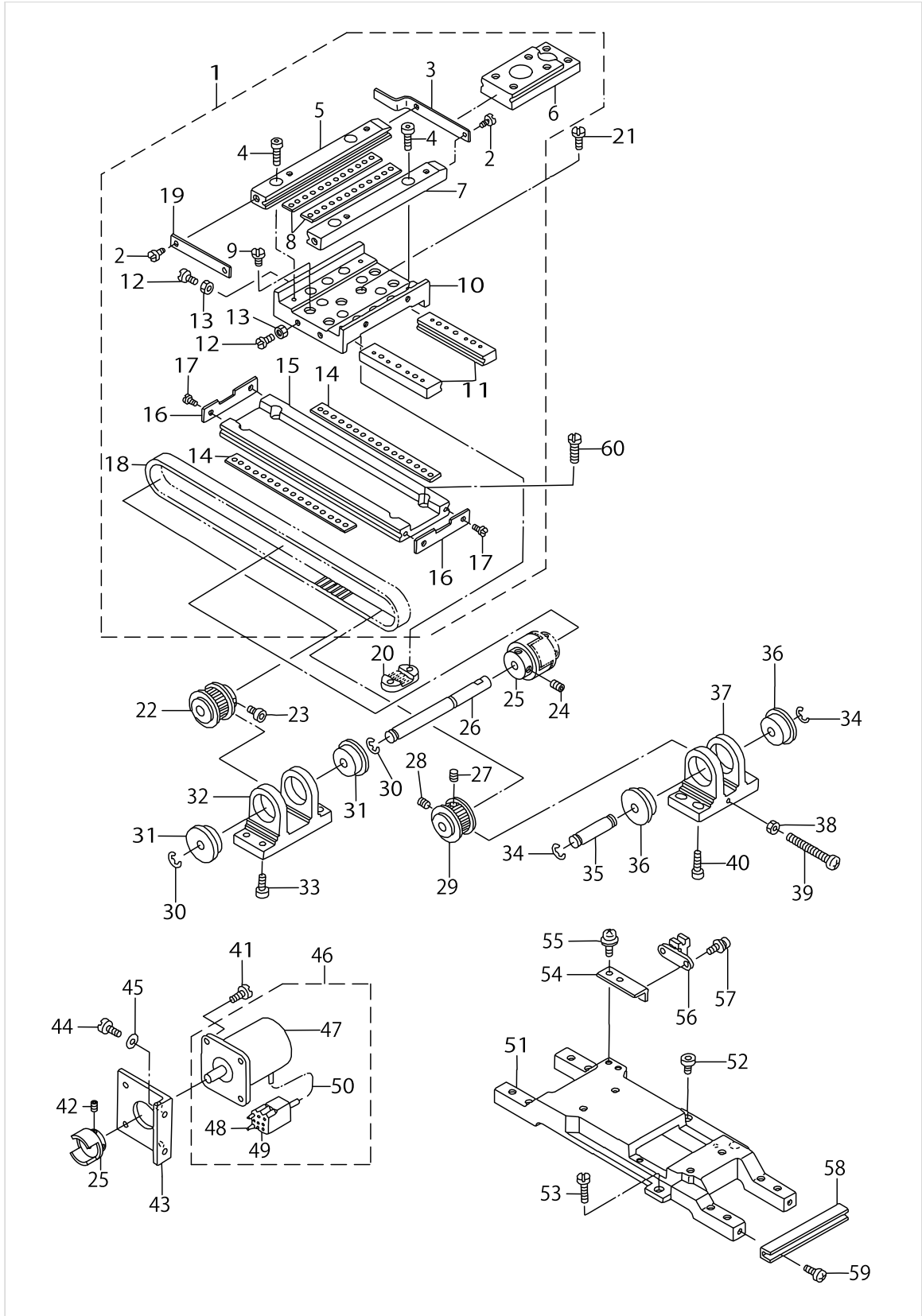
NEEDLE BAR DRIVING MECHANISM COMPONENTS



NEEDLE BAR DRIVING MECHANISM COMPONENTS

No.	Parts No.	Parts name	Remarks	Level	Cons	Qty
1	MCSM3320900	NEEDLE SMX332EXT.LG NM90				1
2	25002007	NEEDLE BAR				1
3	SS7080510TP	SCREW 1/8-44 L=4.5				1
4	B1402372000	NEEDLE BAR BUSHING, UPPER				1
5	17803107	BUSHING				1
6	17803206	THREAD TAKE-UP LEVER				1
7	SS6091210TP	SCREW 9/64-40 L=12				1
8	17806605	NEEDLE BAR SUPPORT				1
9	17806506	SLIDE BLOCK A	SELECTIVE PART			1
10	25001900	NEEDLE BAR LEVER				1
11	SS9151630CP	SCREW 15/64-28 L=15.5				2
12	NS6150440SP	NUT 15/64-28				1
13	B1411372A00	WASHER	SELECTIVE PART			1
14	B1407372000	BUSHING				1
15	B1408372000	LIFTING LEVER SHAFT				1
16	17806951	BALL JOINT UPPER ASM. SMALL				1
17	B1410372000	JOINT PIN		*		1
18	B1412372000	CRANK CONNECTING ROD,SMALL		*		1
19	17806902	SCREW SMALL		*		2
20	NS6680410SP	NUT 9/32-28				1
21	25001751	CRANK BAR ASM.				1
22	25001702	CRANK BAR		*		1
23	CQ200000000	OIL WICK		*		0.3
24	NS6680480SP	NUT 9/32-28				1
25	B14163720A0	BALL JOINT ECCENTRIC ASM.				1
26	B1418372000	CLAMP SCREW LOWER		*		2
27	SS8660942TP	SCREW 1/4-40 L= 8.5		*		1
28	SS8660612TP	SCREW 1/4-40 L=6		*		1
29	B1419372000	OIL WICK		*		2

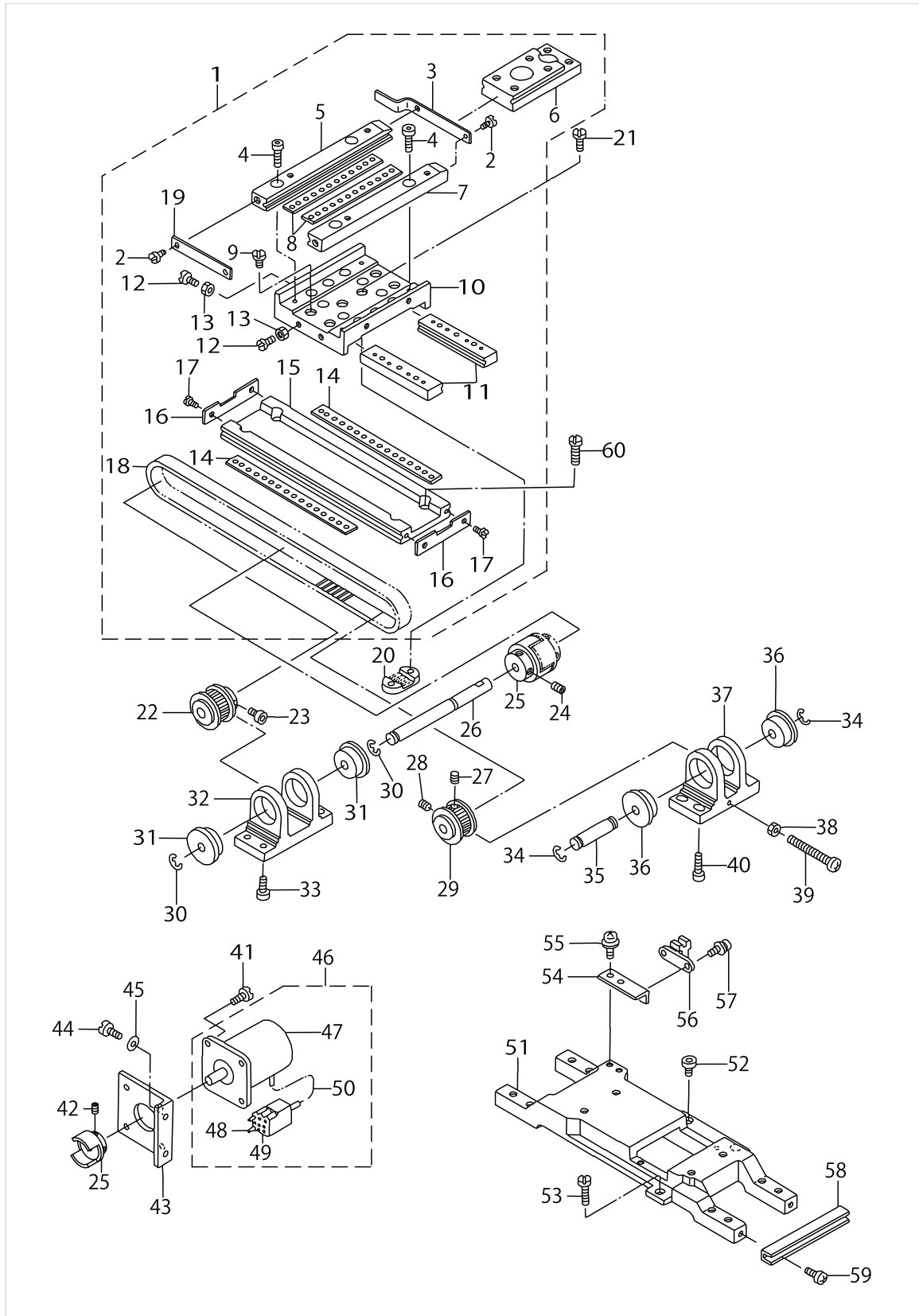
X-Y STEPPING MOTOR COMPONENTS (X SHAFT)



X-Y STEPPING MOTOR COMPONENTS (X SHAFT)

No.	Parts No.	Parts name	Remarks	Level	Cons	Qty
1	17814054	XY TABLE ASM.				1
2	SS6090620SP	SCREW 9/64-40 L=6		*		4
3	17814104	X SLIT PLATE		*		2
4	SM6041402TP	SCREW M4 L=14		*		4
5	B2519205000	Y FIXED RACE, A		*		1
6	B2519210000	Y REMOVAL RACE		*		1
7	B2520205000	Y FIXED RACE, B		*		1
8	B2522205000	Y BALL GAUGE		*		2
9	SS7110910TP	SCREW 11/64-40 L= 8.5		*		4
10	B2502210000	RACE TABLE		*		1
11	B2503210000	X REMOVAL RACE		*		2
12	SS7110910TP	SCREW 11/64-40 L= 8.5		*		4
13	NS6110310SP	NUT 11/64-40		*		4
14	B2521210000A	Y BALL GAUGE		*		2
15	B2501205000	X FIXED RACE		*		1
16	B2507210000	X STOPPER		*		2
17	SS6090620SP	SCREW 9/64-40 L=6		*		4
18	B2512205000	X TIMING BELT		*		1
19	B2522210000	Y STOPPER		*		1
20	B2509210000	X BELT RECEIVER				1
21	SS6110610TP	SCREW 11/64-40 L=6				2
22	B2513210000	SPROCKET WHEEL				1
23	SM6040602TP	SCREW M4 L=6				2
24	SM8050802TP	SCREW M5X0.8 L=8				2
25	B2516205000A	COUPLING				1
26	17812801	X-Y DRIVE SHAFT				1
27	SM8040602TP	SCREW M4X0.7 L=6				1
28	SM8040802TP	SCREW M4X8				1
29	B2514210000	SPROCKET WHEEL				1
30	RE0600000K0	E-RING 6				2
31	SB108000500	RADIAL BEARING				2
32	B2504210000	BRACKET, A				1
33	SM6051602TP	SCREW M5X0.8 L=16				4
34	RE0600000K0	E-RING 6				2
35	B2515210000	X BRACKET SHAFT				1
36	SB108000500	RADIAL BEARING				2
37	B2505210000	BRACKET, B				1
38	NM6050003SC	NUT M5X0.8				1
39	SM4051601SC	SCREW M5X0.8 L=16				1
40	SM6051602TP	SCREW M5X0.8 L=16				4
41	SS4110915SP	SCREW 11/64-40 L=9				4
42	SM8050802TP	SCREW M5X0.8 L=8				2
43	17813817	X MOTOR INSTALLING PLATE				1
44	SS4110915SP	SCREW 11/64-40 L=9				2
45	WP0501016SD	WASHER 5X10.5X1				2
46	25018755	X STEPPING MOTOR (B) ASM.				1
47	25018706	STEPPING MOTOR		*		1

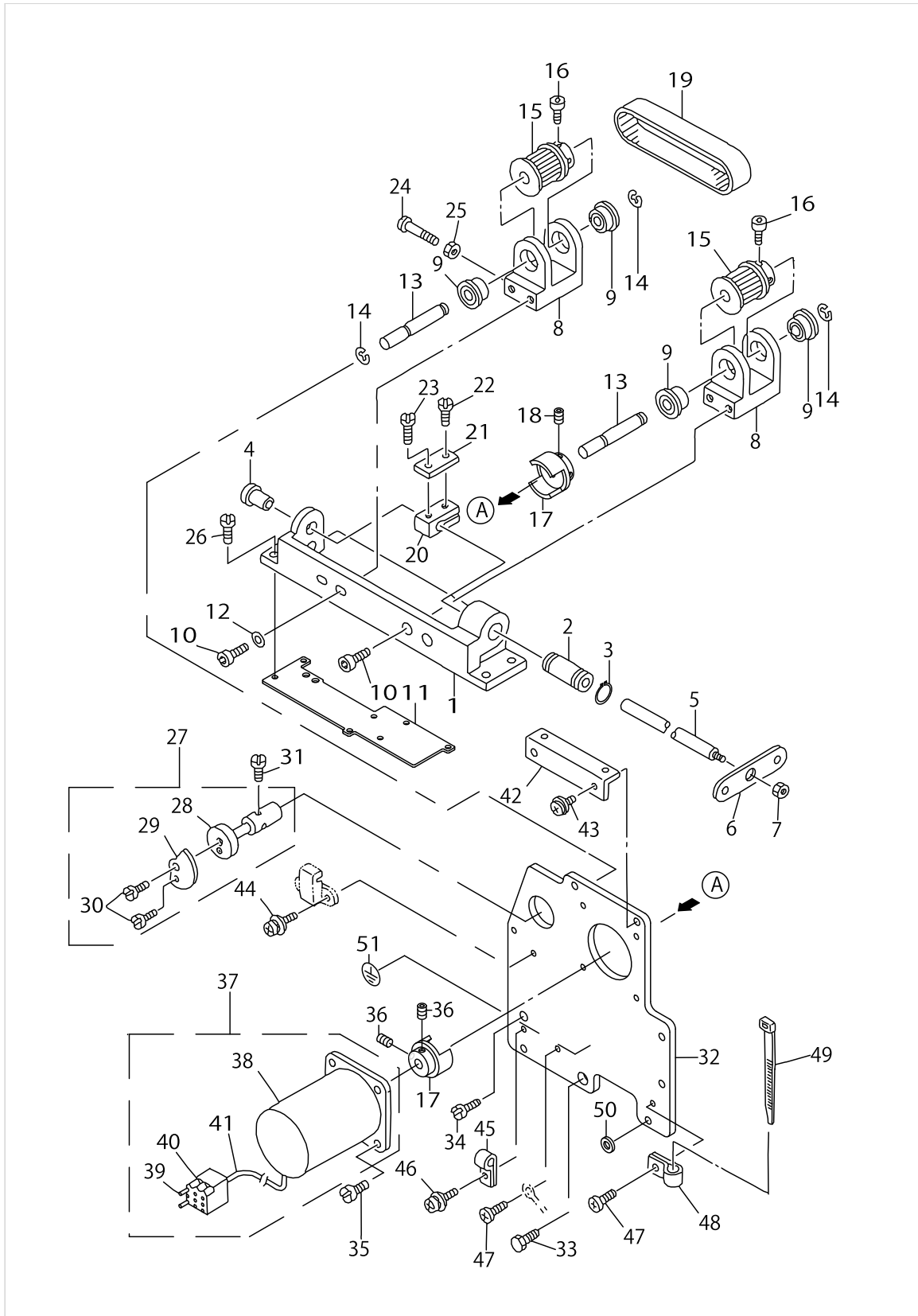
X-Y STEPPING MOTOR COMPONENTS (X SHAFT)



X-Y STEPPING MOTOR COMPONENTS (X SHAFT)

No.	Parts No.	Parts name	Remarks	Level	Cons	Qty
48	HK003940010	PIN-SHAPE TERMINAL, FEMALE		*		4
49	D8621761C0B	6P RECEPTACLE (BLUE)		*		1
50	E8760452M00	TUBE		*		0.1
51	17963703	X-Y TABLE BASE				1
52	SS6151412TP	SCREW 15/64-28 L=14				2
53	SS9151210TP	SCREW 15/64-28 L=11.8				1
54	17814500	X INSTALLING PLATE				1
55	SL4030891SC	SCREW M3X8				2
56	17840653	SENSOR ASM.				1
57	SL4031291SC	SCREW M3X12				2
58	17814203	X ADJUSTING BASE				1
59	SM4040801SN	SCREW M4 L=8				2
60	SS6121210SP	SCREW 3/16-28 L=12				4

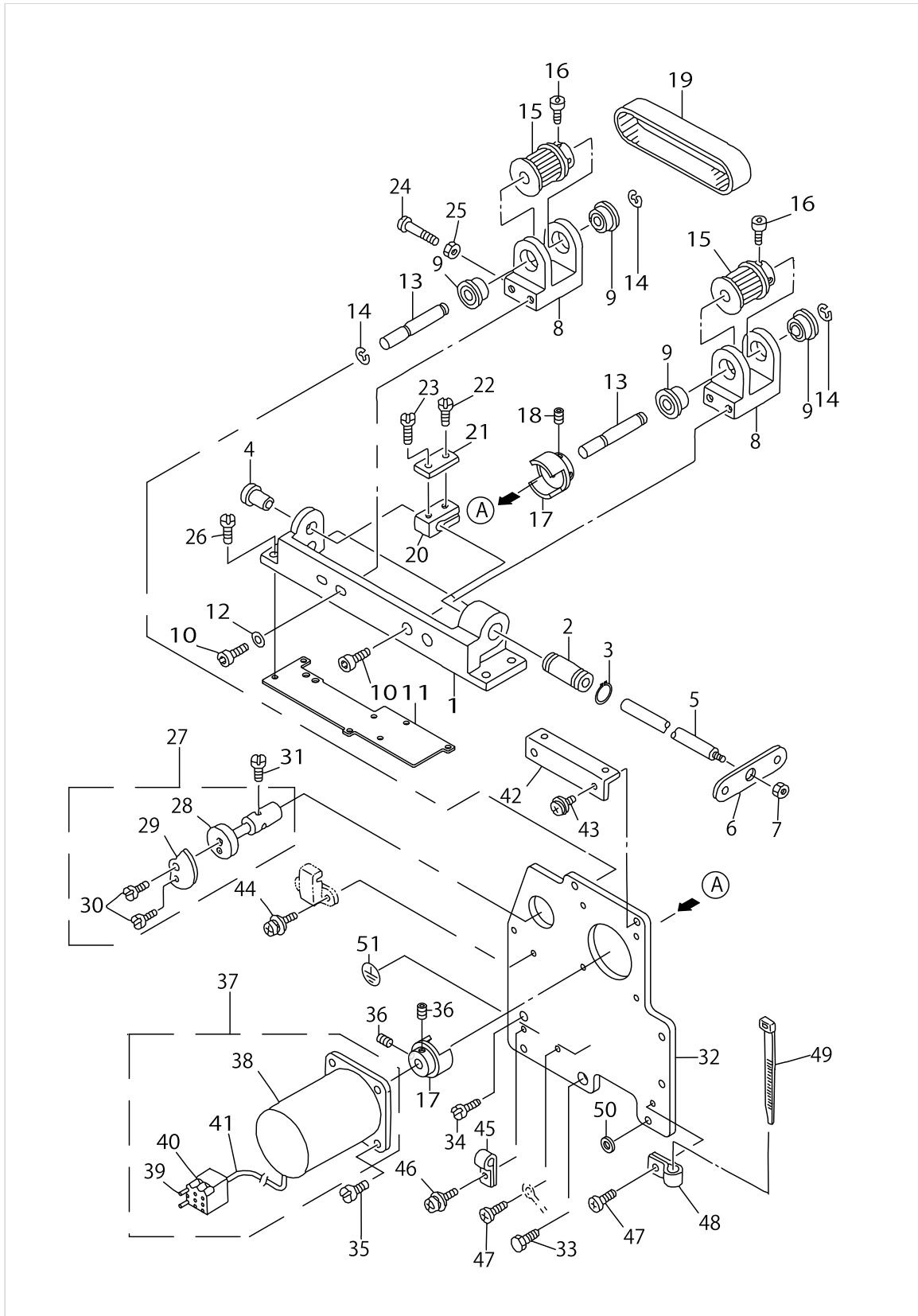
X-Y STEPPING MOTOR COMPONENTS (Y SHAFT)



X-Y STEPPING MOTOR COMPONENTS (Y SHAFT)

No.	Parts No.	Parts name	Remarks	Level	Cons	Qty
1	17812603	Y SHAFT BASE				1
2	SB710000200	SLIDE BEARING				1
3	RC1900001KP	C-RING				1
4	17813403	Y COLLAR				1
5	17812900	Y MOVING SHAFT				1
6	B2525205000	Y REMOVAL BRACKET				1
7	NS6150310SP	NUT 15/64-28				1
8	17812702	Y BRACKET				2
9	SB108000500	RADIAL BEARING				4
10	SM6051202TP	SCREW M5X0.8 L=12				4
11	25001603	SPACER B				1
12	WP0531000SC	WASHER 5.3X10X1				2
13	17812801	X-Y DRIVE SHAFT				2
14	RE0600000K0	E-RING 6				4
15	B2513210000	SPROCKET WHEEL				2
16	SM6040602TP	SCREW M4 L=6				4
17	B2516205000A	COUPLING				1
18	SM8050802TP	SCREW M5X0.8 L=8				2
19	17813106	Y TIMING BELT				1
20	B2536210000	Y BELT BASE				1
21	B2526210000	Y BELT RECEIVER				1
22	SS7111810TP	SCREW 11/64-40 L=18				1
23	SS7110910TP	SCREW 11/64-40 L= 8.5				1
24	SM4052501SC	SCREW M5X0.8 L=25				1
25	NM6050003SC	NUT M5X0.8				1
26	SS6151612TP	SCREW				4
27	17813056	Y SLIT PLATE BOSS ASM.				1
28	17813007	Y SLIT PLATE BOSS		*		1
29	B4008205000	Y SLIT PLATE		*		1
30	SS7090850SP	SCREW 9/64-40 L=8		*		2
31	SS6090610SP	SCREW 9/64-40 L= 5.5				2
32	25004003	Y MOTOR INSTALLING BASE				1
33	SS9201813CP	SCREW 5/16-18 L=18				1
34	SS6151440SP	SCREW 15/64-28 L=14				1
35	SS4110915SP	SCREW 11/64-40 L=9				4
36	SM8050802TP	SCREW M5X0.8 L=8				2
37	25018854	Y STEPPING MOTOR (B) ASM.				1
38	25018706	STEPPING MOTOR		*		1
39	HK003940010	PIN-SHAPE TERMINAL, FEMALE		*		4
40	HK018620060	6-POLE CONNECTOR		*		1
41	E8760452M00	TUBE		*		0.1
42	17813304	XY COVER PLATE				1
43	SL4051091SC	SCREW M5X0.8 L=10				2
44	SL4030891SC	SCREW M3X8				2
45	HX00150000A	CABLE CLAMP				1
46	SL4040891SC	SCREW M4 L=8				1
47	SL4040891SC	SCREW M4 L=8				2

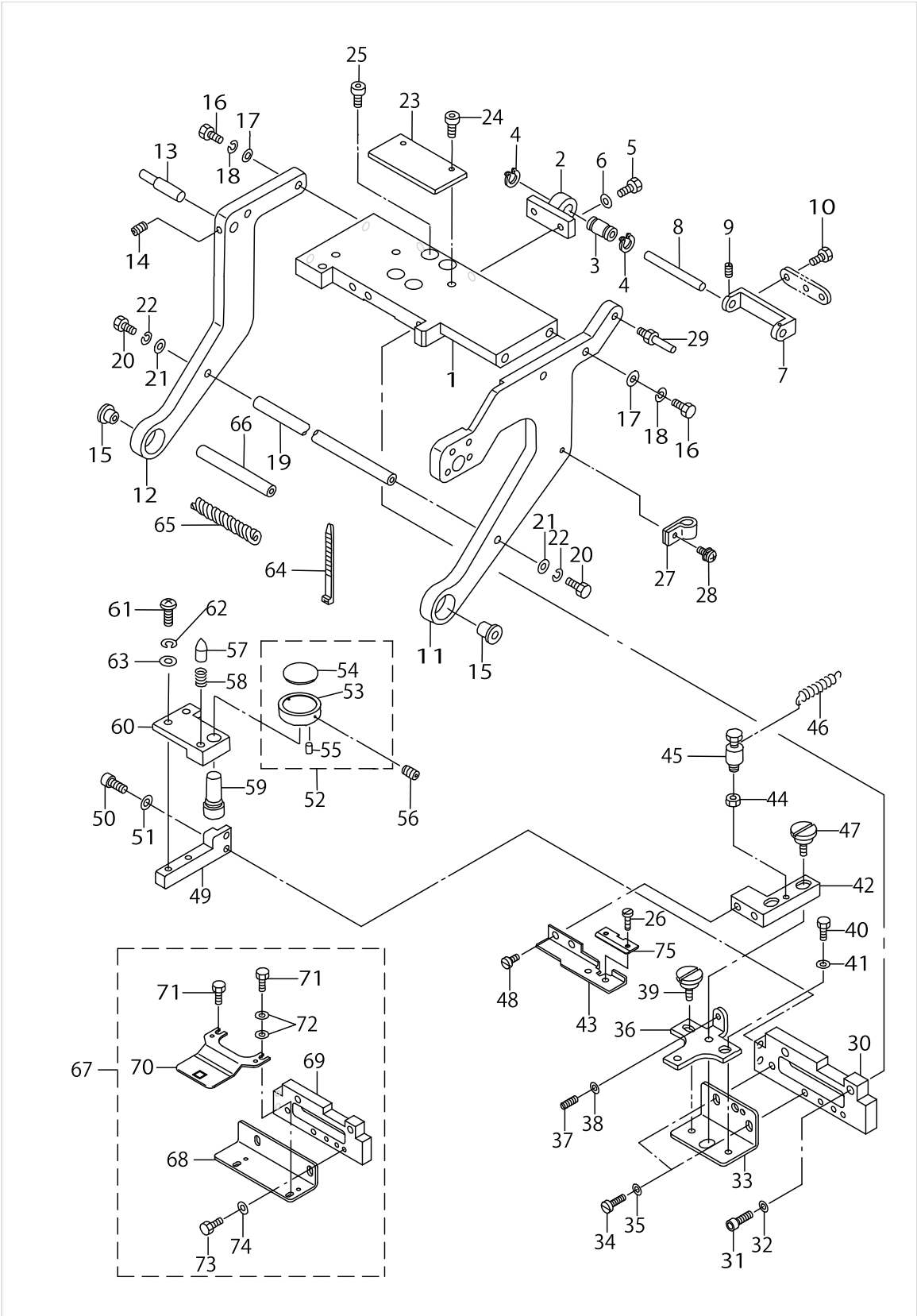
X-Y STEPPING MOTOR COMPONENTS (Y SHAFT)



X-Y STEPPING MOTOR COMPONENTS (Y SHAFT)

No.	Parts No.	Parts name	Remarks	Level	Cons	Qty
48	HX00150000A	CABLE CLAMP				1
49	EA9500B0100	CABLE BAND				1
50	11047305	BELT COVER RUBBER CUSHION				2
51	10004109	GROUND MARK				1

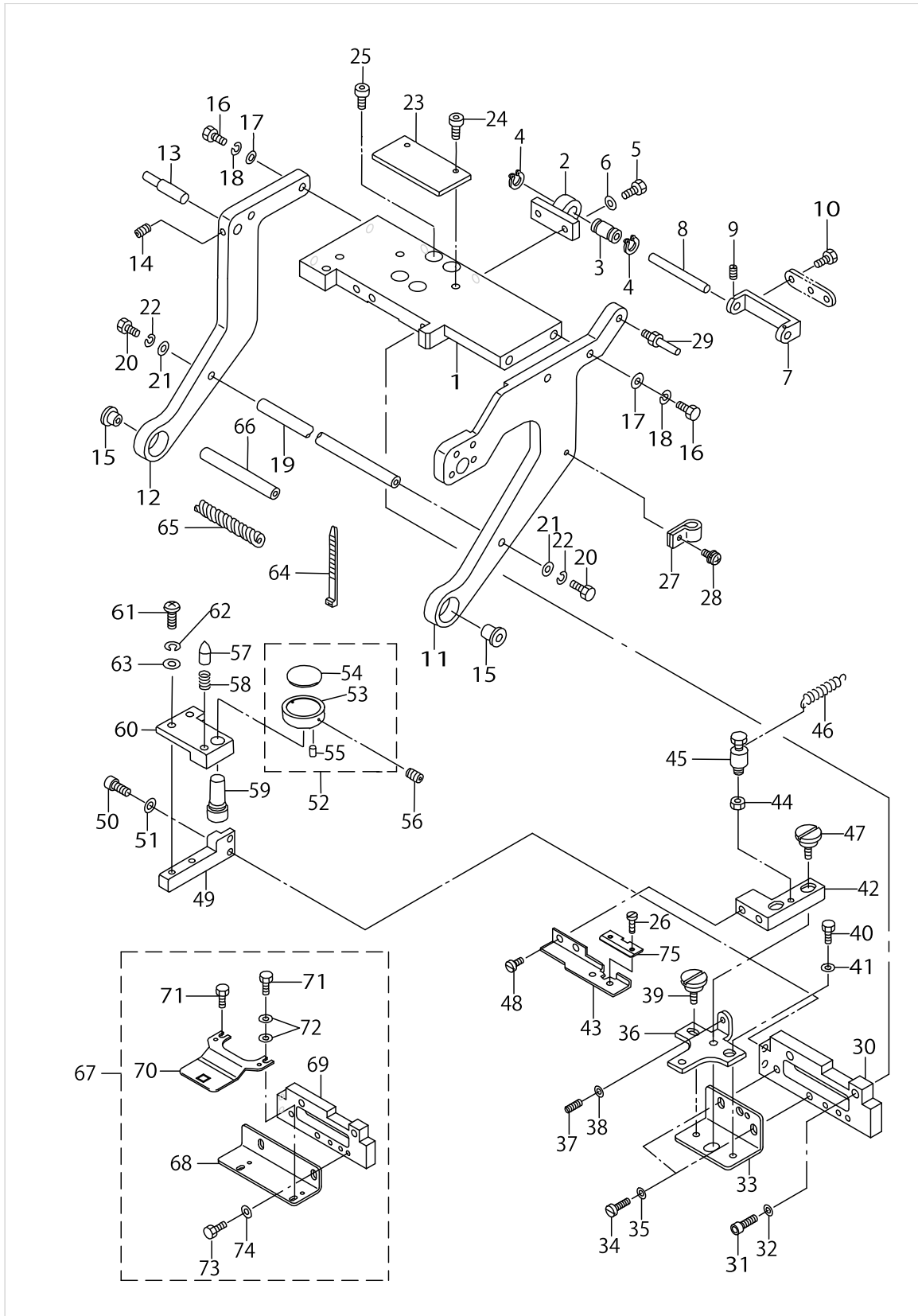
X-Y FRAME COMPONENTS



X-Y FRAME COMPONENTS

No.	Parts No.	Parts name	Remarks	Level	Cons	Qty
1	25004110	Y TABLE BASE				1
2	17816604	Y TABLE SHAFT BRACKET				1
3	SB710000200	SLIDE BEARING				1
4	RC1900001KP	C-RING				2
5	SM9062003SC	SCREW M6 L=20				2
6	WP0641600SC	WASHEW 6.4X12.5X1.6				2
7	17816307	X SHAFT SUPPORT				1
8	B2510205000	X GUIDE SHAFT				1
9	SS8110422TP	SCREW 11/64-40 L=4				2
10	SS9150910SP	SCREW				2
11	25004201	FRAME, RIGHT				1
12	25004300	FRAME, LEFT				1
13	17816919	CYLINDER SHAFT				1
14	SM8050612TP	SCREW M5X6				1
15	SB110000500	BEARING				2
16	SM9062553SC	SCREW M6 L=25				4
17	WP0641600SC	WASHEW 6.4X12.5X1.6				4
18	WS0610002KN	SPRING WASHER 6.1X12.2X1.5				4
19	17816505	FRAME SHAFT				1
20	SM9062003SC	SCREW M6 L=20				2
21	WP0641600SC	WASHEW 6.4X12.5X1.6				2
22	WS0610002KN	SPRING WASHER 6.1X12.2X1.5				2
23	17816406	SLIDER PLATE				1
24	SM6050802TR	SCREW M5X0.8 L=8				2
25	SS6151612TP	SCREW				4
26	SS2060210SP	SCREW 3/32-56 L=2.3				2
27	HX00150000D	CABLE CLIP				1
28	SL4041091SC	SCREW M4 L=10				1
29	17816711	CYLINDER SHAFT				1
30	25004508	INSTALLING PLATE BLOCK				1
31	SM6051602TR	SCREW M5 L=16				2
32	WP0531000SC	WASHER 5.3X10X1				2
33	25004607	FITTING PLATE				1
34	SM9051450SC	SCREW M5X0.8 L=14				2
35	WP0531000SC	WASHER 5.3X10X1				2
36	25004706	FIXING PLATE				1
37	SS8111010TP	SCREW 11/64-40 L=9.5				1
38	NS6110310SP	NUT 11/64-40				1
39	SD0550212TP	HINGE SCREW D=5.5 H=2.1				1
40	SS9110543CP	SCREW 11/64-40 L=5.3				1
41	WP0450801SD	WASHER 4.5X10X0.8				1
42	25004805	BLOCK				1
43	25005000	SUPPORT PLATE				1
44	NS6090310SP	NUT 9/64-40				1
45	GBR01357000	SPRING HOOK				1
46	GBR01333000	TENSION SPRING				1
47	SD0700811TP	HINGE SCREW				2

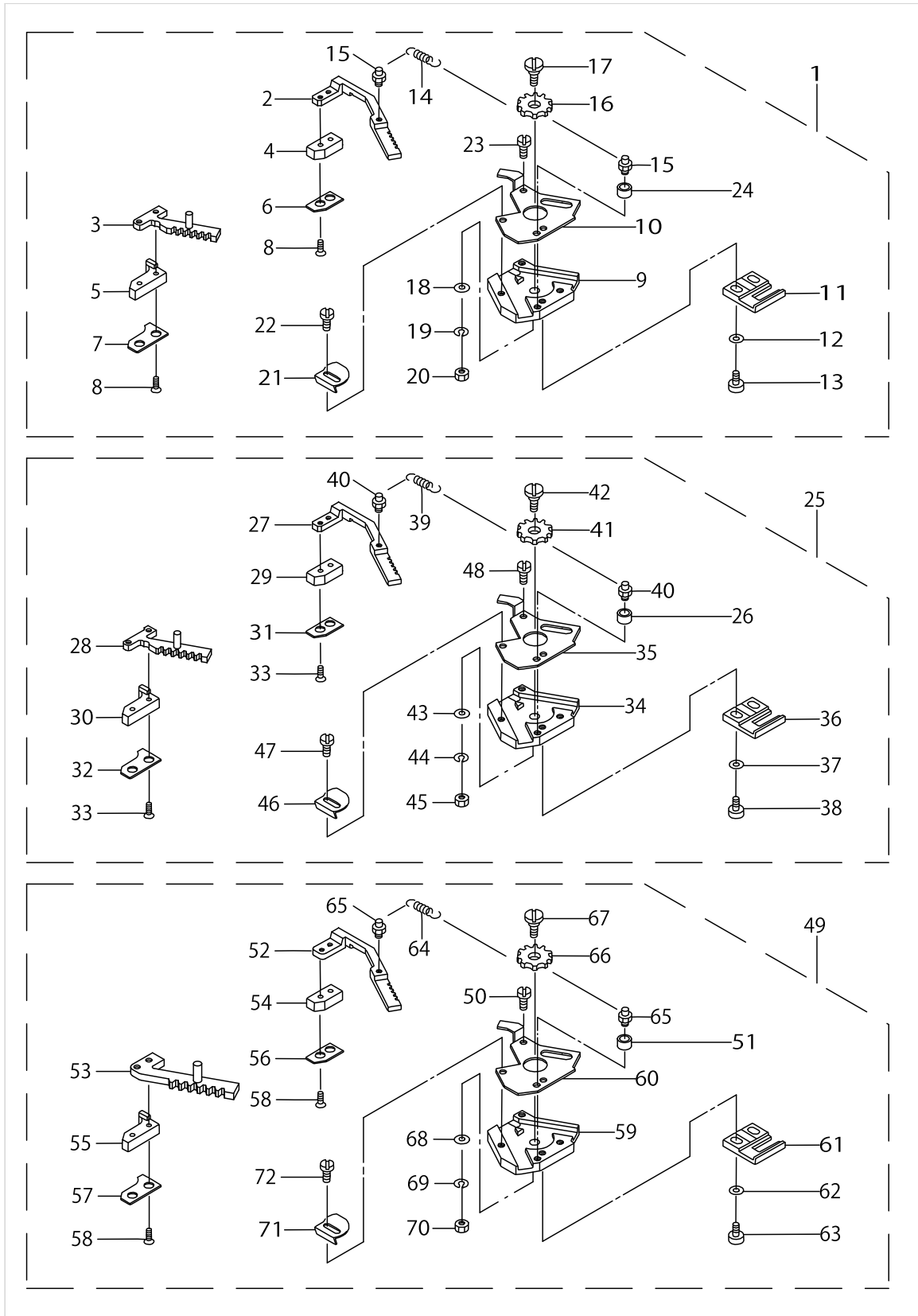
X-Y FRAME COMPONENTS



X-Y FRAME COMPONENTS

No.	Parts No.	Parts name	Remarks	Level	Cons	Qty
48	SS6090540SP	SCREW 9/64-40 L= 5.0				2
49	25005505	SIDE BLOCK				1
50	SM6051602TR	SCREW M5 L=16				2
51	WS0510002KN	SPRING WASHER				2
52	25005752	SCOOP ADJUSTING KNOB ASM.				1
53	25005703	SCOOP ADJUSTING KNOB		*		1
54	25005802	SCOOP PIAL PLATE		*		1
55	PS0200082KH	SPRING PIN		*		2
56	SS8090710SP	SCREW 9/64-40 L= 7.0				2
57	17825514	RATCHET				1
58	B152652700G	SPRING				1
59	25005901	SCOOP ADJUSTING CAM				1
60	25005604	CAM BASE				1
61	SM4051601SC	SCREW M5X0.8 L=16				2
62	WS0510002KN	SPRING WASHER				2
63	WP0531000SC	WASHER 5.3X10X1				2
64	EA9500B0100	CABLE BAND				4
65	E1022760000	SPIRAL TUBE				0.2
66	HX00088000A	TUBE A (10)				0.2
67	25009051	LOWER PLATE ASM.	OPTIONAL PARTS (FOR DOMESTIC USE)			1
68	25009002	INSTALLING BASE		*		1
69	25004508	INSTALLING PLATE BLOCK		*		1
70	17829003	SUPPORT PLATE LOWER (M BUTTON)		*		1
71	SS9110543CP	SCREW 11/64-40 L=5.3		*		2
72	WP0450801SD	WASHER 4.5X10X0.8		*		2
73	SM9051450SC	SCREW M5X0.8 L=14		*		2
74	WP0531000SC	WASHER 5.3X10X1		*		2
75	25005109	SPACER				1

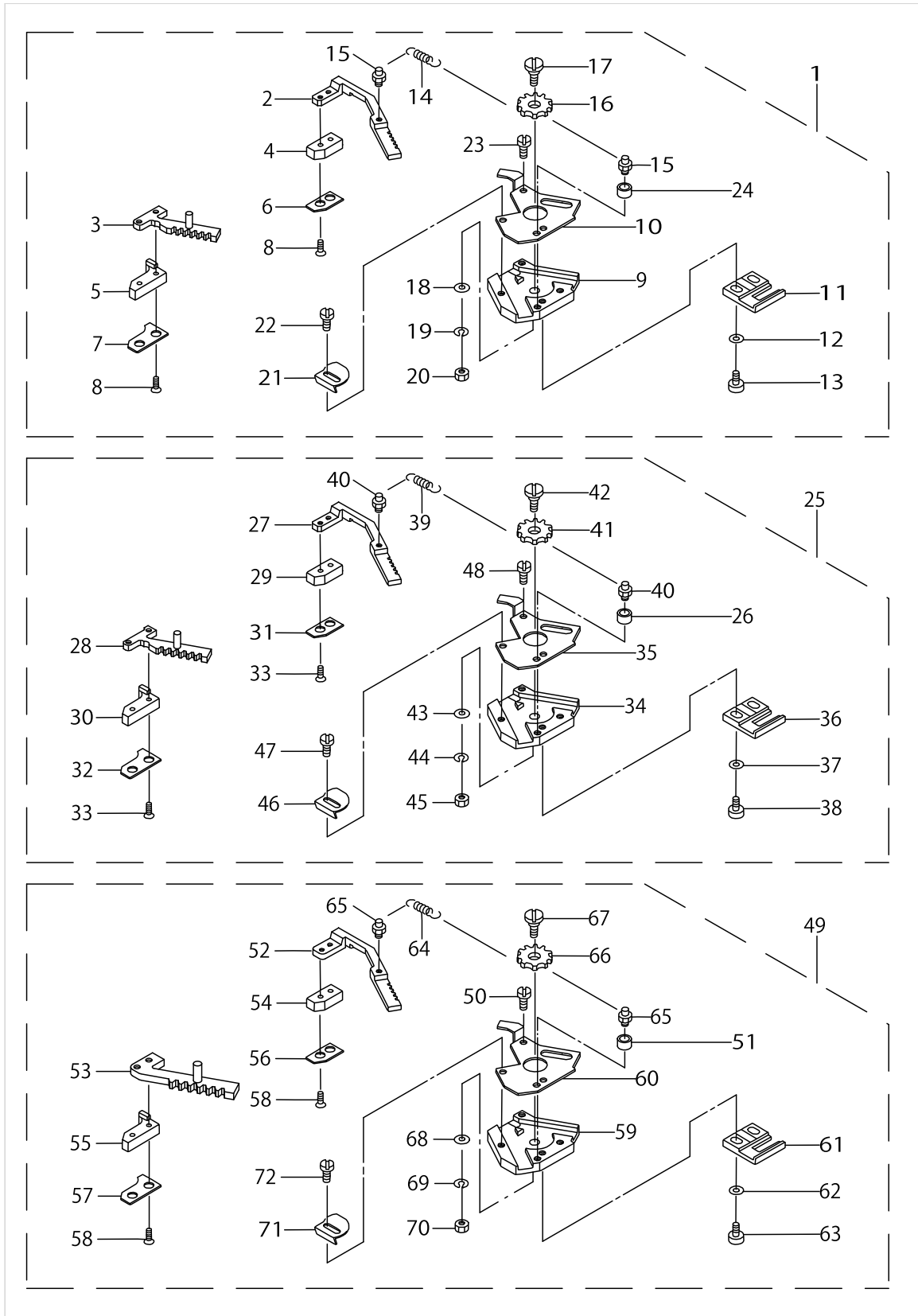
CHUCK COMPONENTS



CHUCK COMPONENTS

No.	Parts No.	Parts name	Remarks	Level	Cons	Qty
1	25010059	BUTTON CHUCK BASE COMPL.				1
2	25010000	BUTTON CHUCK BASE, LEFT		*		1
3	25010158	BUTTON CHUCK BASE(RIGHT)MEDIUM		*		1
4	17969304	CHUCK SPACER BASE, LEFT		*		1
5	17969403	CHUCK SPACER BASE, RIGHT		*		1
6	25010208	BUTTON RECEIVING PLATE, LEFT		*		1
7	25010307	BUTTON RECEIVING PLATE, RIGHT		*		1
8	SM1850951SD	SCREW M2.5 L=9		*		4
9	25010604	SLIDE BASE		*		1
10	25010703	COLLAR		*		1
11	25012006	BUTTON CHUCK ADJUST BASE		*		1
12	WP0371016SD	WASHER 3.7X8X1		*		2
13	SS6090620SP	SCREW 9/64-40 L=6		*		2
14	17970609	CHUCK SPRING		*		1
15	17821208	SUSPENSION SCREW B		*		2
16	17821018	OPEN AND SHUT GEAR		*		1
17	SD0800291TP	HINGE SCREW		*		1
18	WP0450801SD	WASHER 4.5X10X0.8		*		1
19	WS0451040KP	SPRING WASHER 4.5X8.5X1		*		1
20	NS6110420SP	NUT 11/64-40		*		1
21	17821802	BUTTON CHUCK STOPPER		*		1
22	SS6080610TP	SCREW 1/8-44 L=6		*		1
23	SS6080410SP	SCREW 1/8-44 L=4		*		2
24	25010703	COLLAR		*		1
25	25010851	BUTTON CHUCK BASE COMPL.				1
26	25010703	COLLAR		*		1
27	25010802	BUTTON CHUCK BASE, LEFT		*		1
28	25010950	BUTTON CHUCK BASE(RIGHT),LARGE		*		1
29	25011008	CHUCK SPACER BASE, LEFT		*		1
30	25011107	CHUCK SPACER BASE, RIGHT		*		1
31	25011206	BUTTON RECEIVING PLATE, LEFT		*		1
32	25011305	BUTTON RECEIVING PLATE, RIGHT		*		1
33	SM1850951SD	SCREW M2.5 L=9		*		4
34	25010604	SLIDE BASE		*		1
35	25010703	COLLAR		*		1
36	25012006	BUTTON CHUCK ADJUST BASE		*		1
37	WP0371016SD	WASHER 3.7X8X1		*		2
38	SS6090620SP	SCREW 9/64-40 L=6		*		2
39	17970609	CHUCK SPRING		*		1
40	17821208	SUSPENSION SCREW B		*		2
41	17821018	OPEN AND SHUT GEAR		*		1
42	SD0800291TP	HINGE SCREW		*		1
43	WP0450801SD	WASHER 4.5X10X0.8		*		1
44	WS0451040KP	SPRING WASHER 4.5X8.5X1		*		1
45	NS6110420SP	NUT 11/64-40		*		1
46	17821802	BUTTON CHUCK STOPPER		*		1
47	SS6080610TP	SCREW 1/8-44 L=6		*		1

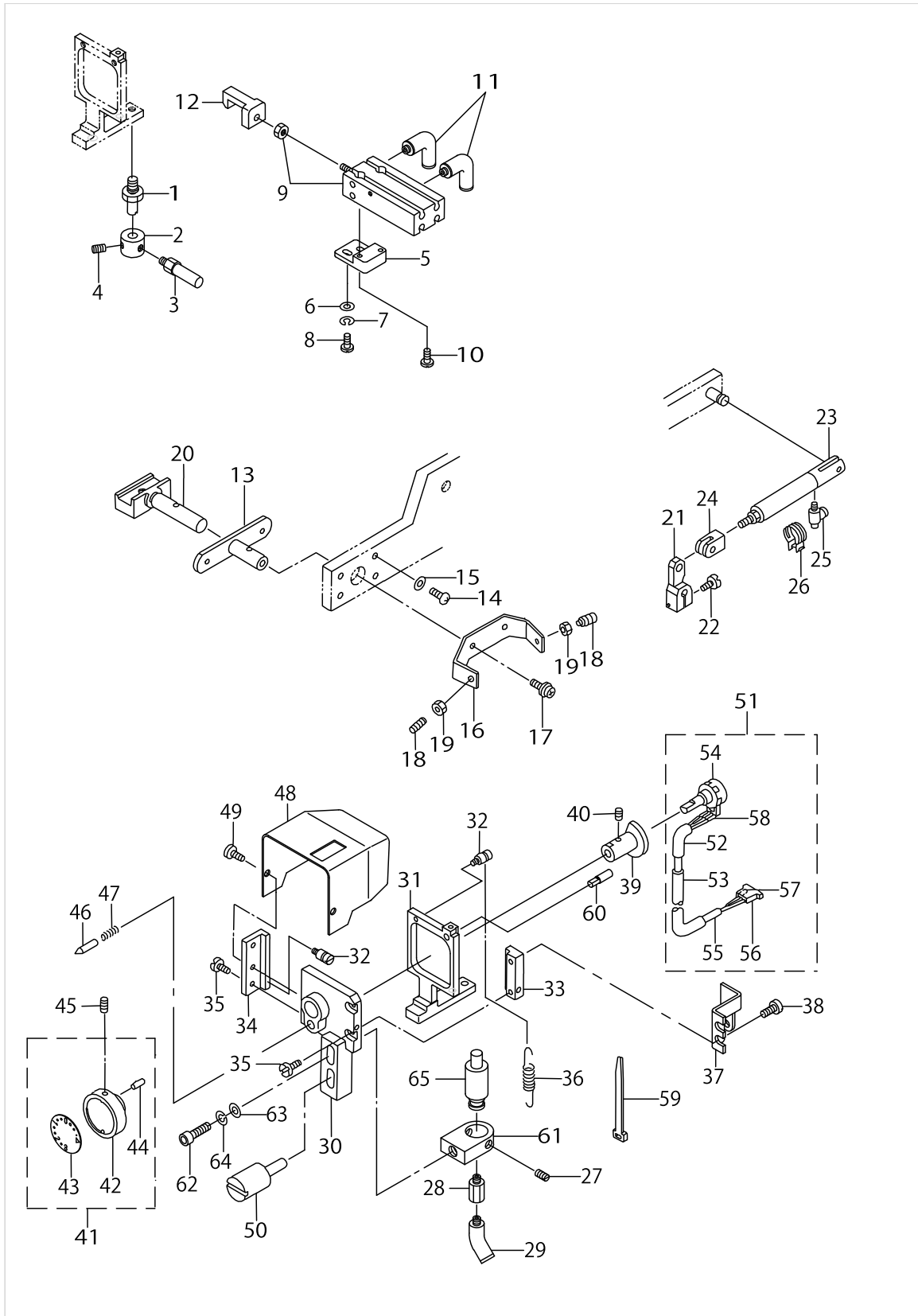
CHUCK COMPONENTS



CHUCK COMPONENTS

No.	Parts No.	Parts name	Remarks	Level	Cons	Qty
48	SS6080410SP	SCREW 1/8-44 L=4		*		2
49	25011453	BUTTON CHUCK BASE COMPL.				1
50	SS6080410SP	SCREW 1/8-44 L=4		*		2
51	25010703	COLLAR		*		1
52	25011404	BUTTON CHUCK BASE, LEFT		*		1
53	25011552	BUTTON CHUCK BASE(RIGHT),SMALL		*		1
54	25011602	CHUCK SPACER BASE, LEFT		*		1
55	25011701	CHUCK SPACER BASE, RIGHT		*		1
56	25011800	BUTTON RECEIVING PLATE, LEFT		*		1
57	25011909	BUTTON RECEIVING PLATE, RIGHT		*		1
58	SM1850951SD	SCREW M2.5 L=9		*		4
59	25010604	SLIDE BASE		*		1
60	25010703	COLLAR		*		1
61	25012006	BUTTON CHUCK ADJUST BASE		*		1
62	WP0371016SD	WASHER 3.7X8X1		*		2
63	SS6090620SP	SCREW 9/64-40 L=6		*		2
64	17970609	CHUCK SPRING		*		1
65	17821208	SUSPENSION SCREW B		*		2
66	17821018	OPEN AND SHUT GEAR		*		1
67	SD0800291TP	HINGE SCREW		*		1
68	WP0450801SD	WASHER 4.5X10X0.8		*		1
69	WS0451040KP	SPRING WASHER 4.5X8.5X1		*		1
70	NS6110420SP	NUT 11/64-40		*		1
71	17821802	BUTTON CHUCK STOPPER		*		1
72	SS6080610TP	SCREW 1/8-44 L=6		*		1

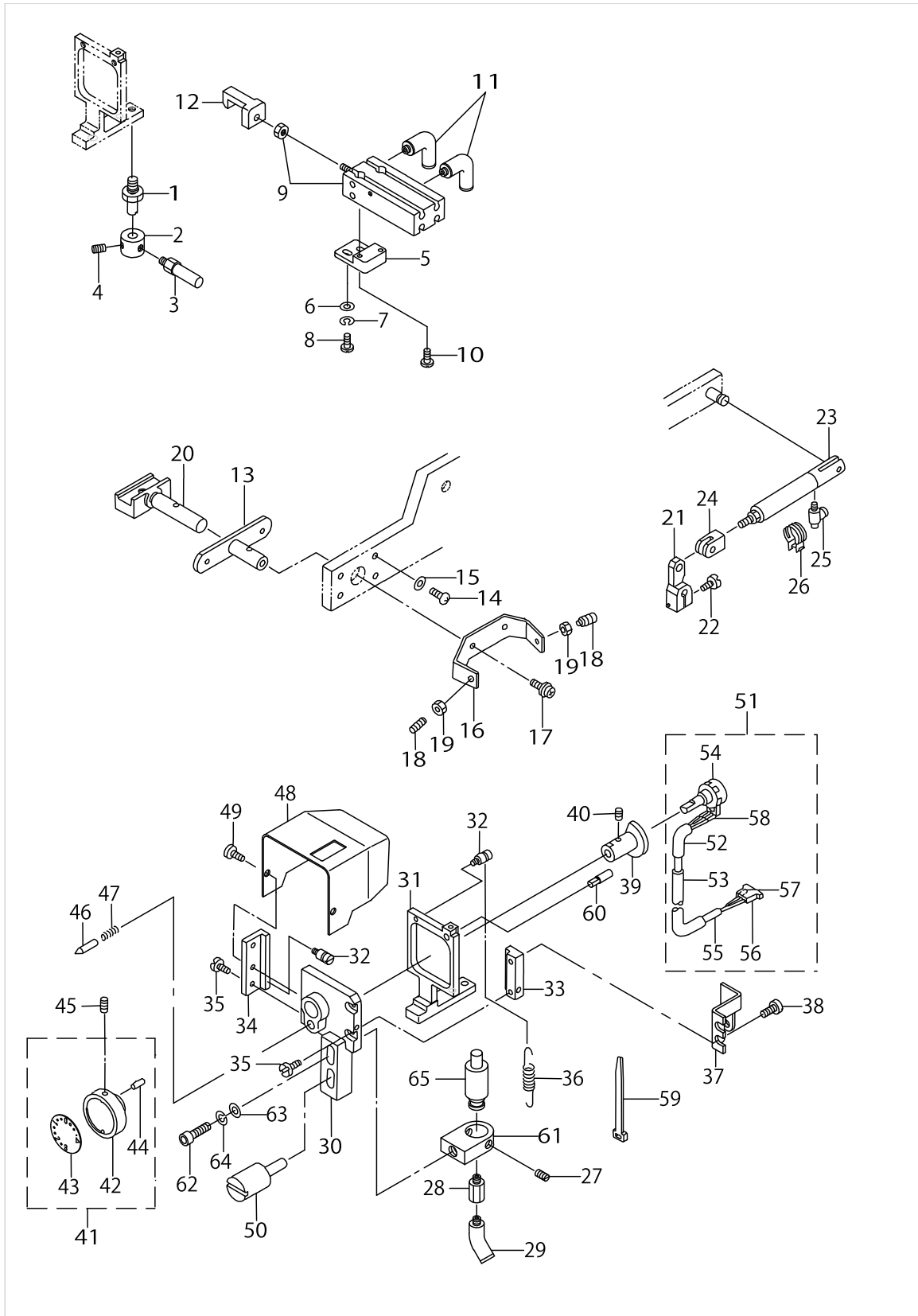
CHUCK TURN OVER COMPONENTS



CHUCK TURN OVER COMPONENTS

No.	Parts No.	Parts name	Remarks	Level	Cons	Qty
1	17970807	LOCK SCREW				1
2	17970906	LOCK COLLAR				1
3	17971003	LOCK LEVER				1
4	SS8110422TP	SCREW 11/64-40 L=4				1
5	25012303	CHUCK CYLINDER BASE				1
6	WP0371016SD	WASHER 3.7X8X1				2
7	WS0410002KP	SPRING WASHER				2
8	SS7090850SP	SCREW 9/64-40 L=8				2
9	PA0601505A0	CYLINDER				1
10	SL4031681SC	SCREW M3 X 16				2
11	PJ304040504	ELBOW UNION				2
12	25012402	CHUCK MOVING LEVER				1
13	17830209	BRACKET				1
14	SM4041401SC	SCREW M4X0.7 L=14				2
15	WP0430800SC	WASHER M4				2
16	17830100	STOPPER BASE				1
17	SL4051241SE	SCREW				2
18	SS8151720SP	SCREW				2
19	NS6150310SP	NUT 15/64-28				2
20	25008608	TURN OVER SHAFT				1
21	17830415	TURN LINK				1
22	SS9151740CP	SCREW 15/64-28 L=17				1
23	PA1603101A0	AIR CYLINDER				1
24	PX500020000	KNUCKLE JOINT				1
25	PC010507000	SPEED CONTROLLER				3
26	PX5000480A0	SWITCH FITTING METAL				2
27	SS8080310TP	SCREW 1/8-44 L=2.8				2
28	PJ010505001	JOINT				1
29	PJ309040501	ELBOW UNION				1
30	25007501	ADJUSTING BASE				1
31	25007626	ADJUSTING SLIDE				1
32	17818600	SUSPENSION SCREW				2
33	25007709	ADJUSTING GUIDE, RIGHT				1
34	25007808	ADJUSTING GUIDE, LEFT				1
35	SS6080720SP	SCREW				4
36	GBR01227000	TENSION SPRING				1
37	25007907	CABLE SUPPORT				1
38	SS6080720SP	SCREW				2
39	25008004	CAM				1
40	SS8080410TP	SCREW 1/8-44 L=3.5				1
41	25008152	KNOB ASM.				1
42	25008103	KNOB		*		1
43	25008202	PIAL PLATE		*		1
44	PS0200122K0	SPRING PIN 2.0X12		*		1
45	SS8090710SP	SCREW 9/64-40 L= 7.0				2
46	17825514	RATCHET				1
47	B152652700G	SPRING				1

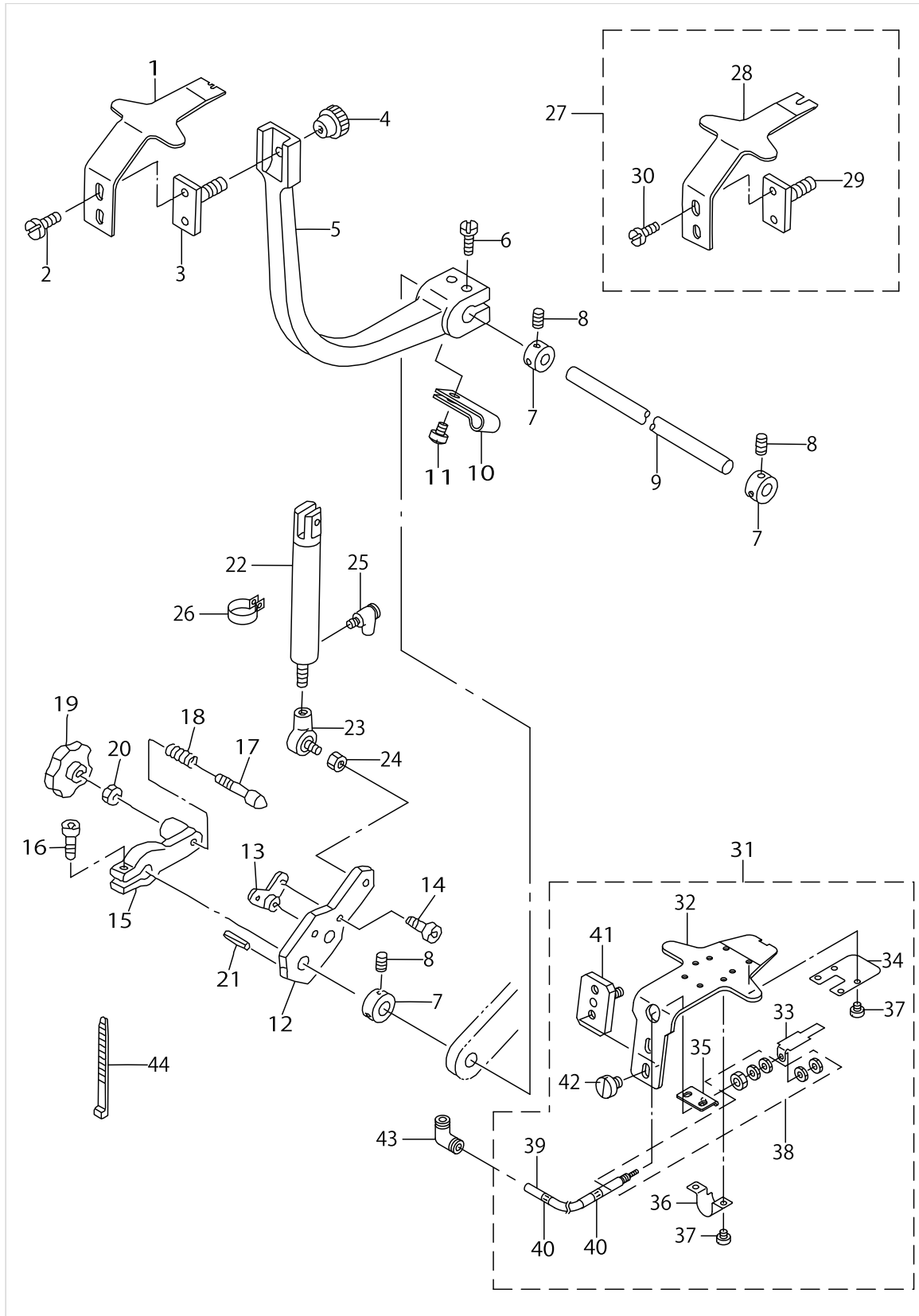
CHUCK TURN OVER COMPONENTS



CHUCK TURN OVER COMPONENTS

No.	Parts No.	Parts name	Remarks	Level	Cons	Qty
48	25008319	COVER				1
49	SM0030601SC	SCREW M3X0.5 L=6				2
50	17964909	ADJUSTING BASE SCREW				1
51	17842352	ENCODER ASM.				1
52	E8760452H00	TUBE		*		0.1
53	HX00088000A	TUBE A (10)		*		0.3
54	HA002890000	SWITCH		*		1
55	HW000660050	CORD 5 CORE		*		2.5
56	HK024910050	5P HOUSING		*		1
57	HK032040000	PIN TERMINAL		*		5
58	E8760452B00	TUBE		*		0.1
59	EA9500B0100	CABLE BAND				1
60	25008426	STUD				1
61	25008509	CYLINDER BASE				1
62	SM6041402TN	SCREW M4X0.7 L=14				1
63	WP0430800SC	WASHER M4				1
64	WS0410002KN	SPRING WASHER				1
65	PA100152300	CYLINDER				1

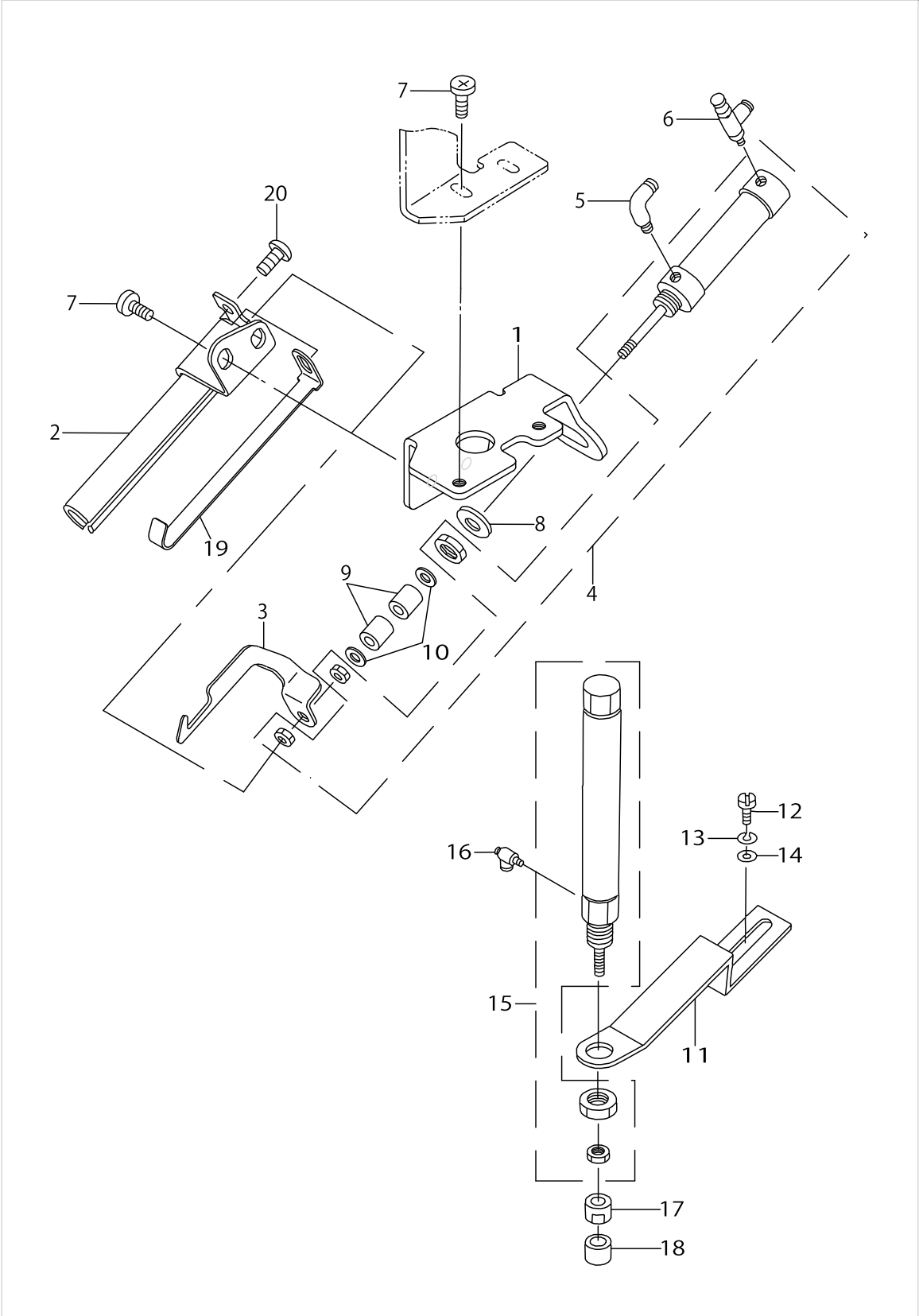
TANG COMPONENTS



TANG COMPONENTS

No.	Parts No.	Parts name	Remarks	Level	Cons	Qty
1	25006602	TANG (4-HOLED BUTTON)				1
2	SS6110610TP	SCREW 11/64-40 L=6				2
3	17823550	TANG INSTALLING PLATE ASM.				1
4	17823709	TANG KNOB				1
5	17822800	TANG ARM				1
6	SS6121212TP	SCREW 3/16-28 L=12.0				2
7	CS1000811SP	THRUST COLLAR				4
8	SS8110520TP	SCREW 11/64-40 L= 4.5				8
9	17824103	SHAFT				1
10	HX00150000A	CABLE CLAMP				1
11	SS7120640SP	SCREW 3/16-28 L=6				1
12	17822909	TANG TURH ARM				1
13	17823006	BOSS				1
14	SM6040602TP	SCREW M4 L=6				2
15	17823105	PLATE				1
16	SM6051202TP	SCREW M5X0.8 L=12				1
17	17824202	PIN				1
18	17824004	SPRING				1
19	17824400	KNOB				1
20	NM6060001SC	NUT M6				1
21	PS0200082KH	SPRING PIN				1
22	PA1503007A0	WORKPIECE PRESSER CYLINDER				1
23	17824608	LIHK BALL				1
24	NM6050001SC	NUT M5				1
25	PC010507000	SPEED CONTROLLER				2
26	PX500043000	BAND				1
27	17966359	TANG(2-HOLED BUTTON)ASM.				1
28	17966300	TANG		*		1
29	17823550	TANG INSTALLING PLATE ASM.		*		1
30	SS6110610TP	SCREW 11/64-40 L=6		*		2
31	25006750	TANG ASM. (FOR LIGHT FABLIC)				1
32	25006701	TANG (FOR LIGHT FABLIC)		*		1
33	25006800	THREAD PRESSER		*		1
34	25006909	THREAD PRESSER COVER		*		1
35	25007006	CYLINDER BRACKET		*		1
36	25007105	CYLINDER COVER		*		1
37	SS6080320SP	SCREW 1/8-44 L= 2.5		*		8
38	PA0401001A0	CYLINDER		*		1
39	BT0400251EB	URETHANE HOSE, BLACK		*		0.3
40	18036004	WIRE MARK		*		2
41	17823550	TANG INSTALLING PLATE ASM.		*		1
42	SS6110610TP	SCREW 11/64-40 L=6		*		2
43	PJ304040001	ELBOW				1
44	EA9500B0100	CABLE BAND				2

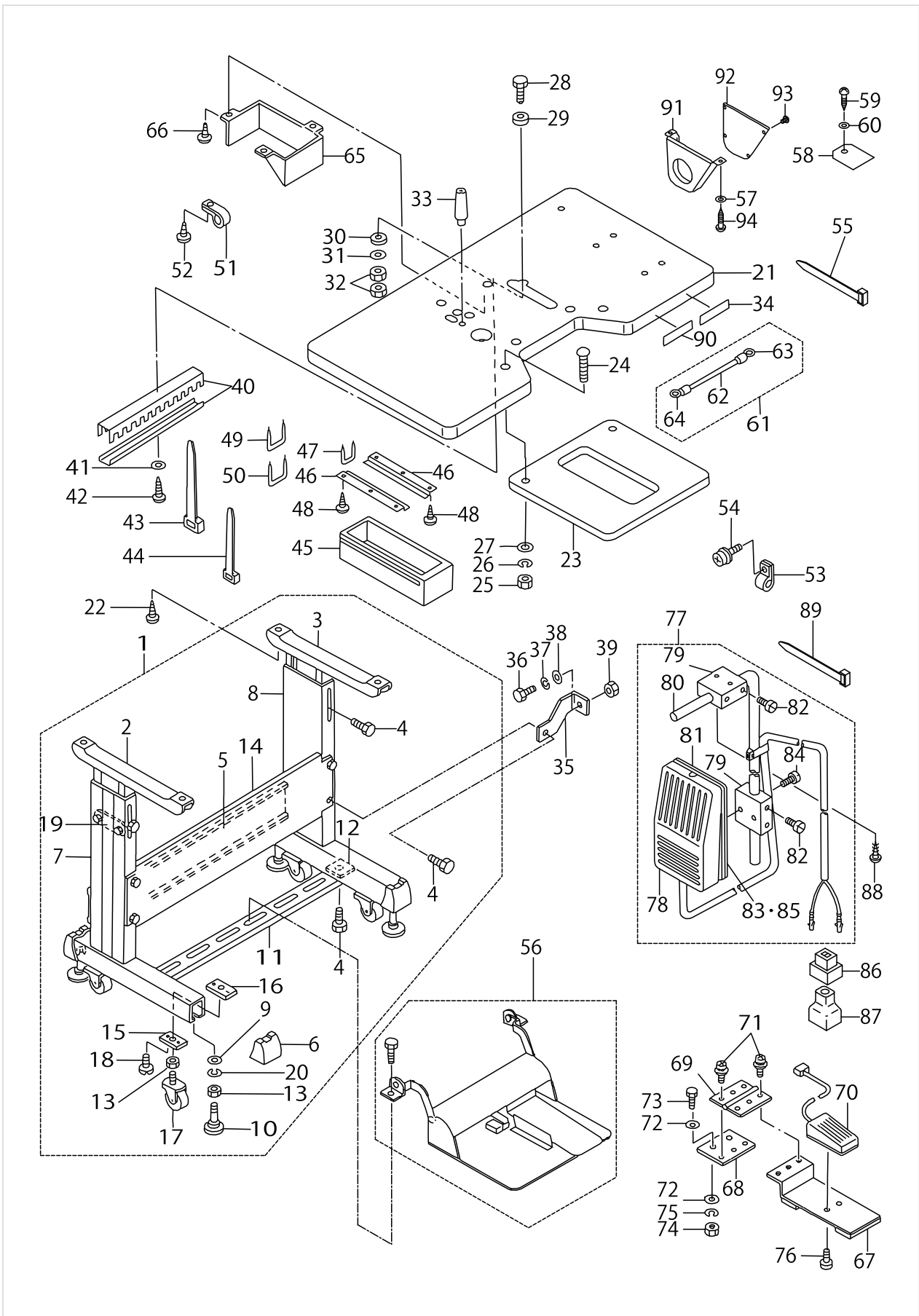
WIPER & PRESSER COMPONENTS



WIPER & PRESSER COMPONENTS

No.	Parts No.	Parts name	Remarks	Level	Cons	Qty
1	25003302	WIPER INSTALLING PLATE				1
2	17826603	SUPPORT PIPE				1
3	25003401	WIPER				1
4	PA1008003A0	CYLINDER				1
5	PJ304040504	ELBOW UNION				1
6	PC010507000	SPEED CONTROLLER				1
7	SL4040891SC	SCREW M4 L=8				4
8	WP0841600SE	WASHER 8,4X15,5X1,6				1
9	17967308	CYLINDER STOPPER				2
10	WP0430800SC	WASHER M4				2
11	17967209	CYLINDER BRACKET				1
12	SM6051602TR	SCREW M5 L=16				2
13	WS0510002KN	SPRING WASHER				2
14	WP0560860SE	WASHER 5.6X12X0.8				2
15	PA1005501A0	CYLINDER				1
16	PC010507000	SPEED CONTROLLER				2
17	17817206	SHAFT				1
18	11503505	RUBBER CUSHION				1
19	17826504	SPRING				1
20	SS4110615SP	SCREW 11/64-40 L=6				1

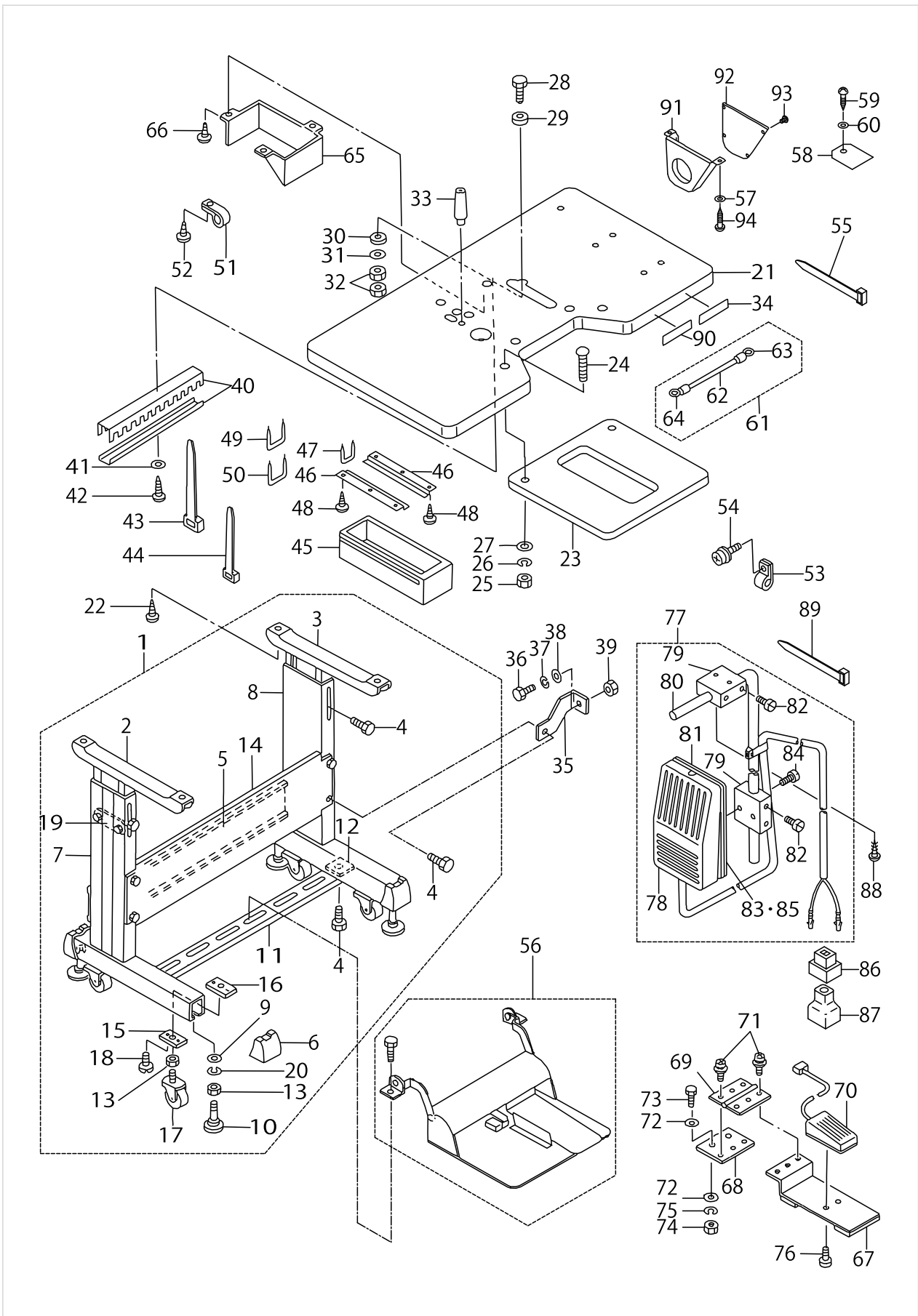
STAND & TABLE COMPONENTS



STAND & TABLE COMPONENTS

No.	Parts No.	Parts name	Remarks	Level	Cons	Qty
1	17832858	T-STAND UNIT				1
2	11157757	STAND UPPER, LEFT		*		1
3	11157658	STAND UPPER, RIGHT		*		1
4	SL9082093SE	SCREW		*		16
5	11158300	STAND SIDE SUPPORT		*		1
6	11158607	RUBBER CAP		*		4
7	17833054	STAND ASM., LEFT		*		1
8	17832957	STAND ASM., RIGHT		*		1
9	WP1302501SE	WASHER M12		*		8
10	17833658	ADJUSTING BOLT ASM.		*		4
11	11158409	STAND SIDE SUPPORT		*		1
12	17007402	NUT		*		2
13	NM6120003SE	NUT M12		*		4
14	17833104	STAND SIDE		*		1
15	17833302	CASTER PLATE A		*		4
16	17833401	CASTER PLATE B		*		4
17	17833500	CASTER		*		4
18	SM6061202TP	SCREW M6 L=12		*		8
19	11158508	PLATE		*		2
20	WS1220002KR	SPRING WASHER, M12		*		4
21	25343005	TABLE				1
22	SK3513200SC	WOOD SCREW D=5.1 L=32				4
23	17971805	AUXILIARY TABLE				1
24	MTJMS000030	SCREW				2
25	NS6200710SN	NUT 5/16-18				2
26	WS0820002KN	SPRING WASHER M8				2
27	WP0851846SC	WASHER 8.5X22.0X1.8				2
28	17835000	SCREW				4
29	17835109	CUSHION A				4
30	17835307	CUSHION B				4
31	WP0612056SD	WASHER 6.1X18.5X2				4
32	NM6060001SC	NUT M6				8
33	11280856	FRAME SUPPORT BAR ASM.				1
34	25343104	NAME PLATE				1
35	17833203	BOX SUPPORT PLATE				1
36	SM9061403SC	SCREW M6 L=14				2
37	WS0610002KN	SPRING WASHER 6.1X12.2X1.5				2
38	WP0641600SC	WASHER 6.4X12.5X1.6				2
39	NM6060001SC	NUT M6				2
40	HX000130000	CONDUIT				0.5
41	WP0560860SE	WASHER 5.6X12X0.8				2
42	SK3452500SC	WOOD SCREW D=4.5 L=25				2
43	HX00065000B	CABLE BAND				2
44	EA9500B0200	CABLE BAND 150				1
45	11155108	DRAWER				1
46	11155207	DRAWER SUPPORT				2
47	D8204555D00	DRAWER STOPPER				1

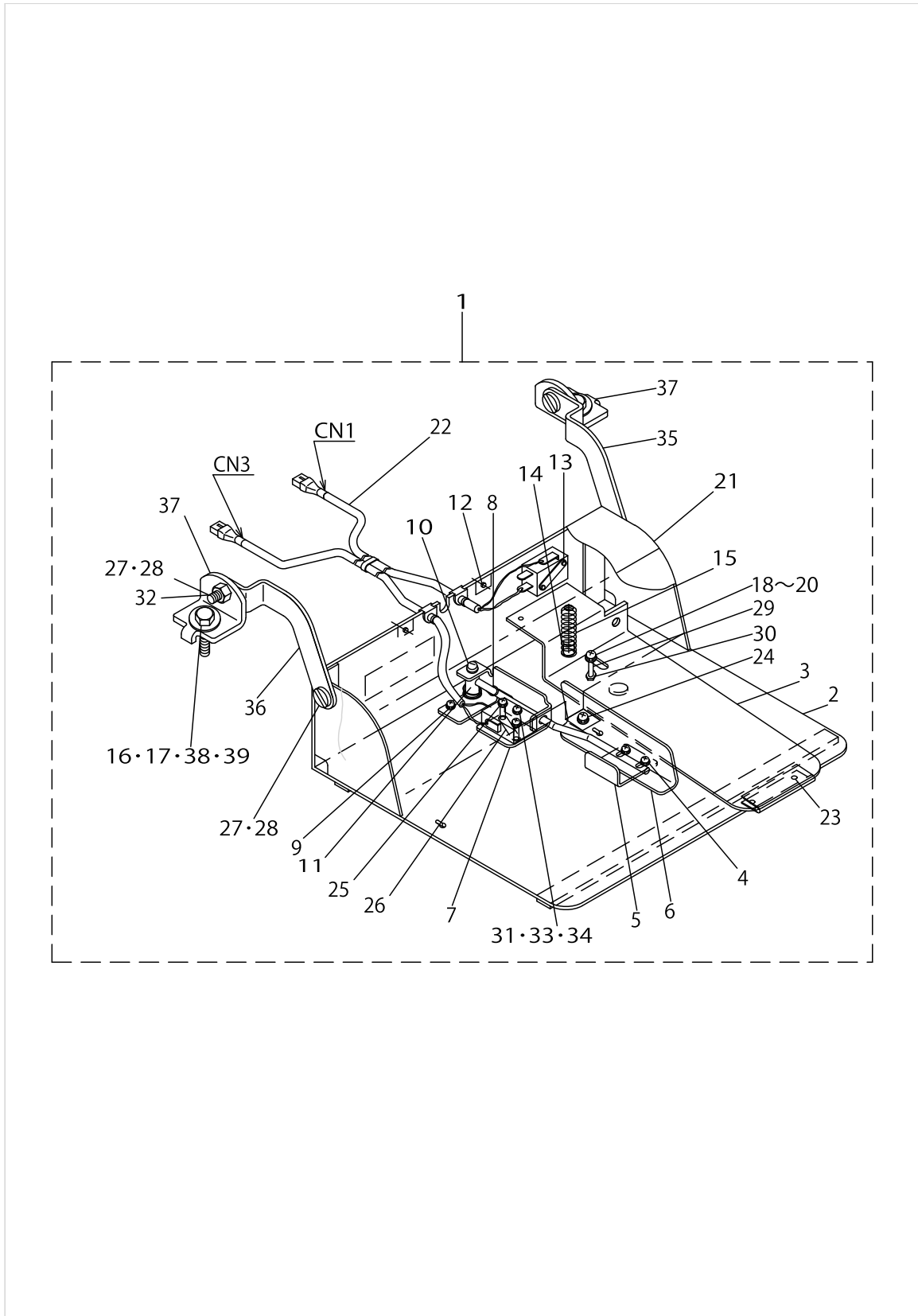
STAND & TABLE COMPONENTS



STAND & TABLE COMPONENTS

No.	Parts No.	Parts name	Remarks	Level	Cons	Qty
48	SK3311600SC	WOOD SCREW D=3.1 L=16				6
49	D8204555D00	DRAWER STOPPER				3
50	MAO11532000	CORD STAPLE				6
51	HX00150000R	CABLE CLAMP				1
52	SK3452500SC	WOOD SCREW D=4.5 L=25				1
53	HX00150000A	CABLE CLAMP				1
54	SL4040891SC	SCREW M4 L=8				1
55	EA9500B0100	CABLE BAND				1
56	GPK620010B0	2-JOINT PEDAL ASM.				1
57	WP0561616SC	WASHER 5.6X16X1.6	FOR JE			2
58	25014903	BELT COVER				1
59	SK3311600SC	WOOD SCREW D=3.1 L=16				1
60	WP0430801SC	WASHER 4.3X9X0.8				1
61	25018953	GROUND WIRE ASM.				1
62	E9561351000	CROUNING CORD, GREEN YELLOW		*		0.8
63	EA9564B0100	CRIMP STYLE TERMINAL		*		1
64	EA9564B0300	SOLDERLESS TERMINAL		*		1
65	17836404	BELT COVER	FOR EXPORT			1
66	SK3452500SC	WOOD SCREW D=4.5 L=25	FOR EXPORT			3
67	17833955	SWITCH PLATE ASM.	SELECTIV PART			1
68	17833807	STAND INSTALLING PLATE	SELECTIV PART			1
69	16258402	HINGE	SELECTIV PART			1
70	16115354	SPEED CONTROL SWITCH ASM.	SELECTIV PART			1
71	SL4040891SC	SCREW M4 L=8	SELECTIV PART			6
72	WP0871602SE	WASHER 8.7X18X1.6	SELECTIV PART			4
73	SM9082023SE	SCREW M8 L=20	SELECTIV PART			2
74	NM6080721SE	NUT M8	SELECTIV PART			2
75	WS0861410KR	SPRING WASHER 8.6X15X1.4	SELECTIV PART			2
76	SS4110615SP	SCREW 11/64-40 L=6	SELECTIV PART			2
77	GAK320010B0	LIFTER KNEE SWITCH ASM. B	SELECTIV PART			1
78	GAK320010A0	LIFTER KNEE SWITCH ASM. A		*		1
79	MAT80230T00	KNEE SWITCH SUPPORT BASE		*		2
80	MAT80231T00	DRIVING BAR, T002		*		1
81	MAT80232T00	KNEE SWITCH SUPPORT PLATE		*		1
82	SS6151220SP	SCREW 15/64-28 L=11.5		*		4
83	SS7110710SL	SCREW 11/64-40 L=7.0		*		4
84	SS7111410SP	SCREW 11/64-40 L=14		*		2
85	WP0480856SP	WASHER 4.8X8.4X0.8		*		4
86	MAI15040000	2-POLE PLUG	SELECTIV PART			1
87	MAT81126T00	2-POLE PLUG COVER	SELECTIV PART			1
88	SK3514000SC	WOOD SCREW D=5.1 L=40	SELECTIV PART			2
89	EA9500B0100	CABLE BAND	SELECTIV PART			2
90	CM500100001	CE MARKING LABEL	FOR JE			1
91	B821021000B	MOTOR PULLEY COVER (A)	FOR JE			1
92	B821121000B	MOTOR PULLEY COVER (B)	FOR JE			1
93	SL4040691SC	SCREW M4 L=6	FOR JE			6
94	SK3552500SC	WOOD SCREW D=5.5 L=25	FOR JE			2

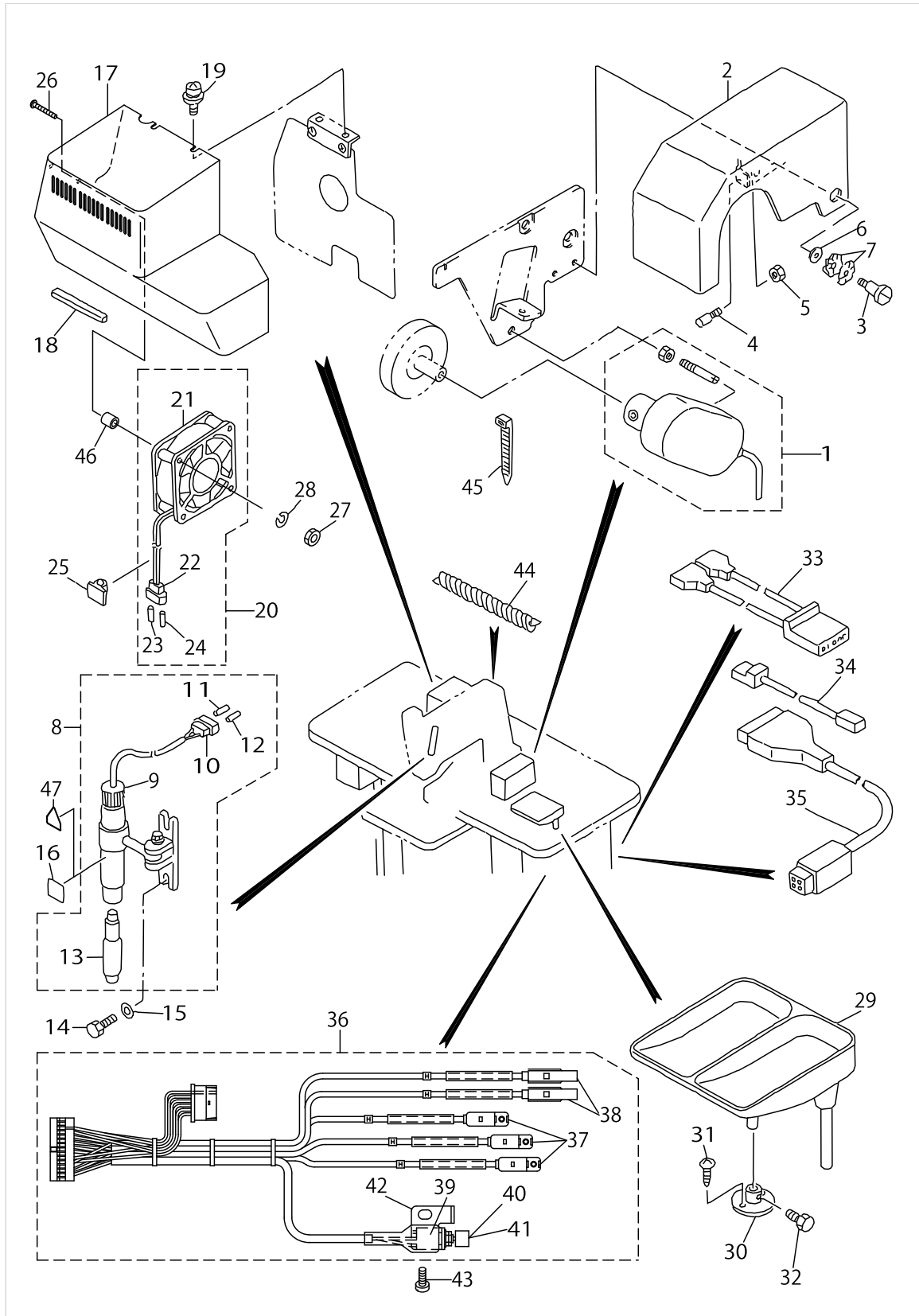
2-JOINT PEDAL COMPONENTS



2-JOINT PEDAL COMPONENTS

No.	Parts No.	Parts name	Remarks	Level	Cons	Qty
1	GPK620010B0	2-JOINT PEDAL ASM.				1
2	GPK620010A0	PEDAL BASE ASM.		*		1
3	GPK260030AA	PEDAL		*		1
4	SL4040891SC	SCREW M4 L=8		*		2
5	GPK2600800A	THREAD CUTTER SWITCH STOPPER,W		*		1
6	GPK2600700A	THREAD CUTTER SWITCH LEVER, W		*		1
7	GPK26009000	SWITCH BASE		*		1
8	GPK26011000	SWITCH SPRING		*		1
9	SL4040891SC	SCREW M4 L=8		*		1
10	SS4111215SP	SCREW 11/64-40 L=12		*		1
11	GPK26010000	SWITCH SHAFT		*		1
12	SL4040691SC	SCREW M4 L=6		*		3
13	SL4031691SC	SCREW M3 L=16		*		2
14	11102308	MICRO SWITCH PLATE		*		1
15	GPK14013000	PEDAL SPRING		*		1
16	WS0861410KR	SPRING WASHER 8.6X15X1.4		*		2
17	NM6080721SE	NUT M8		*		2
18	SL4042591SC	SCREW M4 L=25		*		1
19	GHP03537000	WASHER		*		1
20	WP0430801SC	WASHER 4.3X9X0.8		*		1
21	GPK62002000	SWITCH COVER		*		1
22	GPK620030B0	SWITCH CABLE ASM.		*		1
23	SL4030691SC	SCREW M3X6		*		2
24	WP0430801SC	WASHER 4.3X9X0.8		*		1
25	SL4031691SC	SCREW M3 L=16		*		2
26	11102308	MICRO SWITCH PLATE		*		1
27	SM9081620SE	SCREW M8 L=16		*		4
28	NM6080002SE	NUT M8		*		4
29	GPK26026000	SWITCH PEDAL GUIDE COLLAR		*		1
30	NM6040003SC	NUT M4		*		1
31	SM4041201SC	SCREW M4 L=12		*		1
32	GPK26022000	JOINT FITTING COLLAR		*		4
33	NM6040003SC	NUT M4		*		1
34	GPK26028000	SWITCH BASE COLLAR		*		1
35	GPK1800600AA	PEDAL BASE JOINT, RIGHT		*		1
36	GPK1800700AA	PEDAL BASE JOINT, LEFT		*		1
37	11159001	PEDAL SHAFT BRACKET		*		2
38	SM9082023SE	SCREW M8 L=20		*		2
39	WP0871602SE	WASHER 8.7X18X1.6		*		4

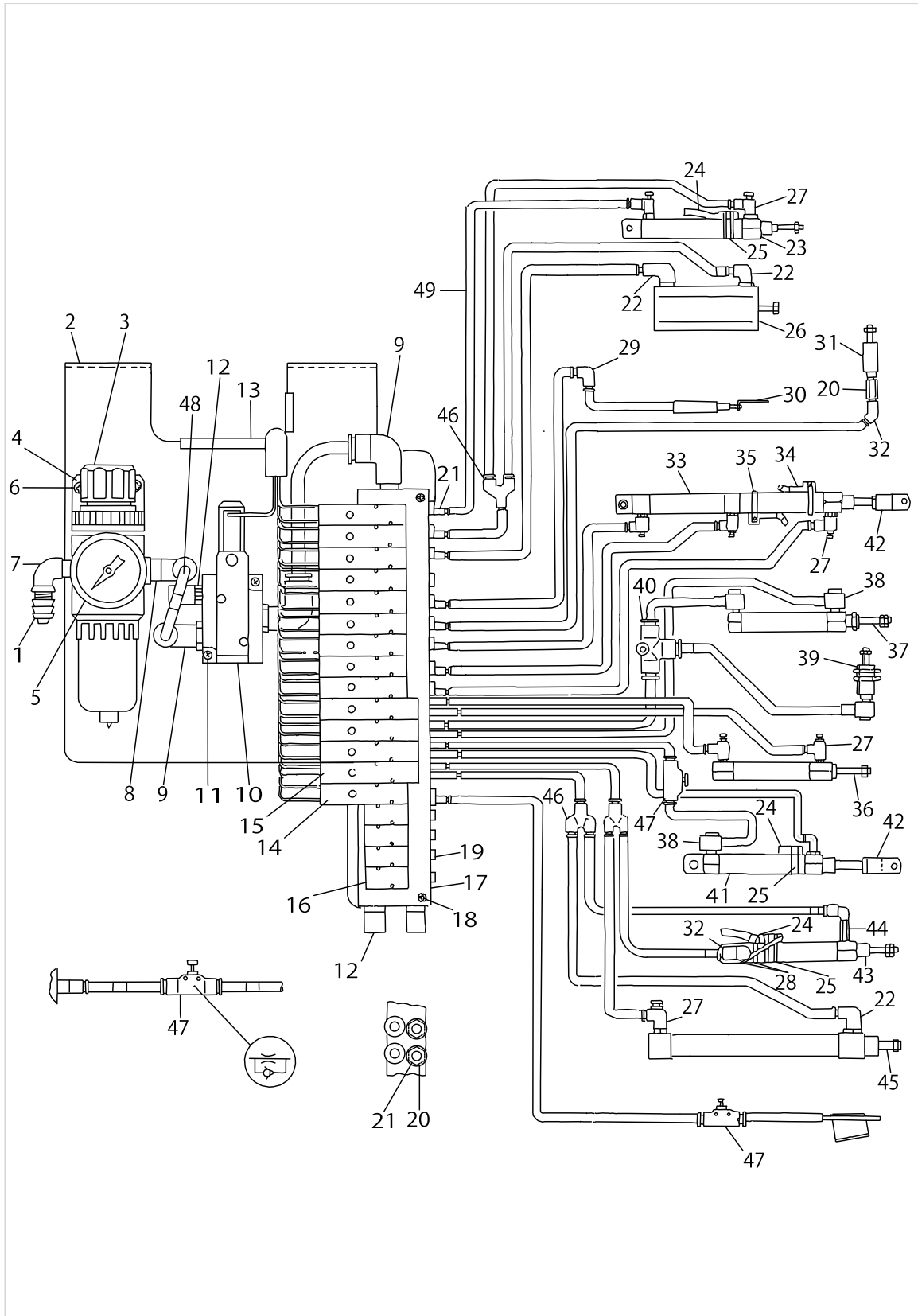
MISCELLANEOUS COVER & CORD COMPONENTS



MISCELLANEOUS COVER & CORD COMPONENTS

No.	Parts No.	Parts name	Remarks	Level	Cons	Qty
1	25019365	SYNCHRONIZER ASM.				1
2	17836206	HAND WHEEL COVER				1
3	SD0791051SP	HINGE SCREW D= 7.94 H=10.5				1
4	B1120372000	SCREW STUD				1
5	NS6150430SP	NUT 15/64-28				1
6	WP08416000E	WASHER 8.4X15.5X1.6				1
7	WZ0850302K0	WAVED WASHER 8.5X12.5X0.3				2
8	17841958	MARKING LIGHT ASM.				1
9	HE000150000	LIGHT		*		1
10	MAI15040000	2-POLE PLUG		*		1
11	D6042555B00	PIN TERMINAL, FEMALE		*		1
12	D6043555B00	PIN TERMINAL, MALE		*		1
13	16450702	MARKING LAMP		*		1
14	SM9061403SC	SCREW M6 L=14				2
15	WP0611626SP	WASHER 15X6X1.6				2
16	17836305	LABEL	FOR EXPORT			1
17	25012600	X-Y COVER				1
18	HX002230000	ADJUSTABLE BUSH				0.13
19	SL4051091SC	SCREW M5X0.8 L=10				4
20	17842055	MOTOR PAN ASM.				1
21	HM000550000	FAN		*		1
22	MAI15040000	2-POLE PLUG		*		1
23	D6043555B00	PIN TERMINAL, MALE		*		1
24	D6042555B00	PIN TERMINAL, FEMALE		*		1
25	HX002350000	CABLE CLAMP				1
26	SM4043601SN	SCREW M4X0.7 L=36				2
27	NM6040001SC	NUT M4				2
28	WS0410002KN	SPRING WASHER				2
29	17848458	BUTTON TRAY ASM.				1
30	17848508	BUTTON TRAY BASE				1
31	SK3412000SC	WOOD SCREW D=4.1 L=20				2
32	SS9151210TP	SCREW 15/64-28 L=11.8				1
33	M85305110A0	PULSE MOTOR CORD ASM.				1
34	17978453	MOTOR FAN CORD ASM.				1
35	M85225110A0	CLUTCH BRAKE CORD ASM.				1
36	25013251	CYLINDER SENSOR ASM.				1
37	PX060003000	AUTO SWITCH		*		3
38	PX060010000	AUTO-SWITCH		*		2
39	HA002470000	PUSH SWITCH		*		1
40	HA00247001A	SWITCH PARTS		*		1
41	HA00247001B	SWITCH PARTS	FOR JE	*		1
42	25013202	PLATE		*		1
43	SS6111010SP	SCREW 11/64-40 L= 9.5				1
44	HX001890000	SPIRAL TUBE				0.2
45	EA9500B0100	CABLE BAND				3
46	11528809	WASHER				2
47	CM300500001	SEAL	FOR DOMESTIC USE			1

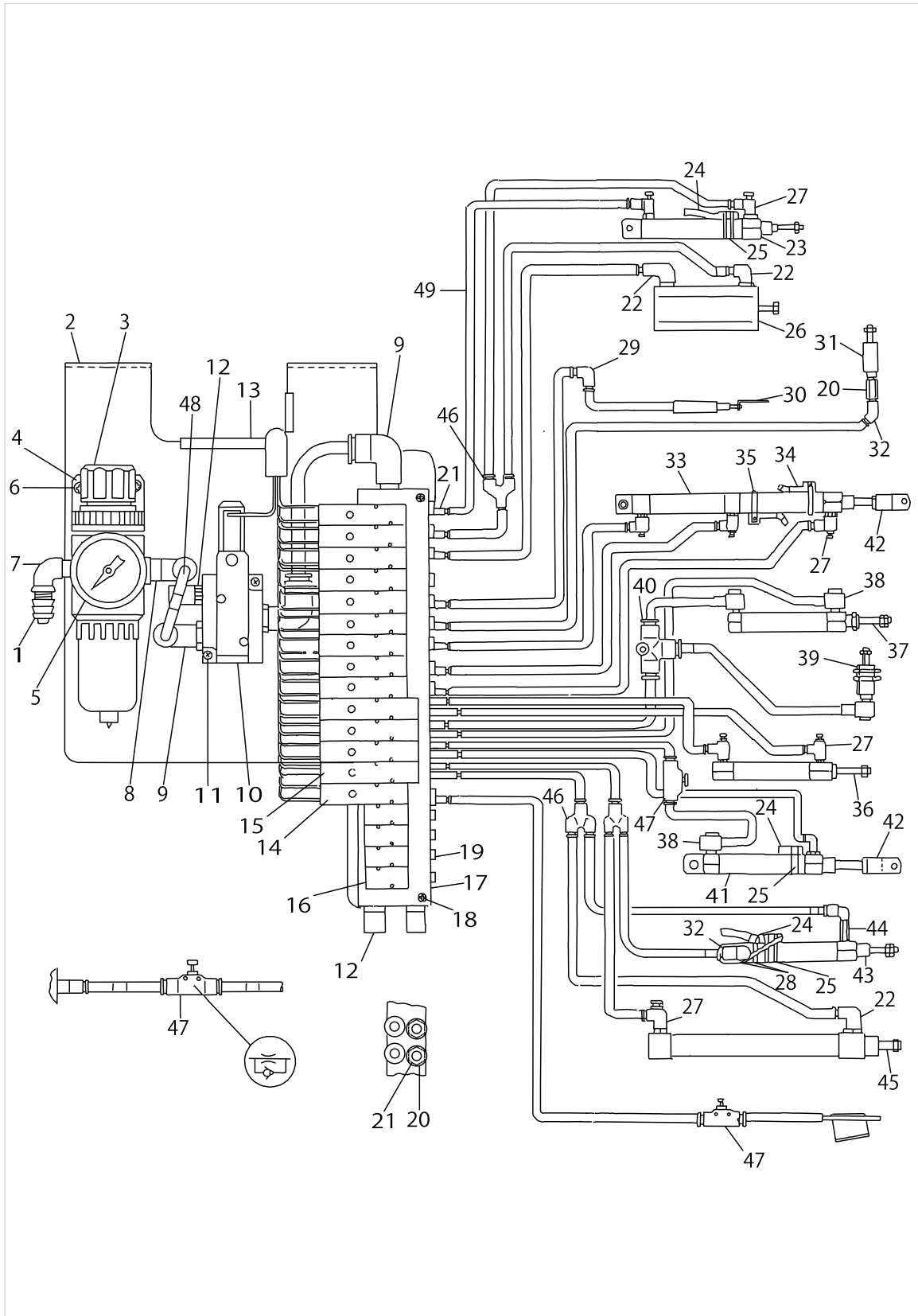
PNEUMATIC COMPONENTS



PNEUMATIC COMPONENTS

No.	Parts No.	Parts name	Remarks	Level	Cons	Qty
1	F1021003000	HOSE JOINT				1
2	17839507	PANEL				1
3	PF025204000	FILTER REGULTOR				1
4	PF905003000	BRACKET				1
5	PF065102000	PRESSURE GAUGE				1
6	SL4040891SC	SCREW M4 L=8				2
7	PJ042520002	ELBOW				1
8	PJ304065201	ELBOW UNION 6XPT1/4				1
9	PJ304065101	ELBOW UNION 6XPT1/8				3
10	PV135113000	SOLENOID VALVE				1
11	SL4043091SC	SCREW M4 L=30				2
12	PX055103000	SILENCER				3
13	HX00223000A	BUSHING				0.1
14	PV130517000	SOLENOID VALVE				10
15	PV150517000	SOLENOID VALVE				4
16	17972357	BLANKING PLATE				4
17	PV030514000	MANIFOLD				1
18	SL4043091SC	SCREW M4 L=30				2
19	PJ020500002	PLUG				19
20	PJ301040505	HALF UNION				17
21	PJ010505001	JOINT				5
22	PJ304040504	ELBOW UNION				3
23	PA1503007A0	WORKPIECE PRESSER CYLINDER				1
24	PX060003000	AUTO SWITCH				3
25	PX500043000	BAND				3
26	PA0601505A0	CYLINDER				1
27	PC010507000	SPEED CONTROLLER				8
28	EA9500B0200	CABLE BAND 150				2
29	PJ304040001	ELBOW				1
30	PA0401001A0	CYLINDER				1
31	PA100152300	CYLINDER				1
32	PJ309040501	ELBOW UNION				2
33	PA1603101A0	AIR CYLINDER				1
34	PX060010000	AUTO-SWITCH				2
35	PX5000480A0	SWITCH FITTING METAL				2
36	PA1005501A0	CYLINDER				1
37	PA1003012A0	CYLINDER				1
38	PJ042050002	ELBOW				4
39	PA1000506A0	CYLINDER				1
40	PJ305040001	TEE UNION				1
41	PA1501009A0	CYLINDER				1
42	PX500020000	KNUCKLE JOINT				2
43	PA1504001A0	CYLINDER				1
44	PJ304040507	LONG ELBOW UNION				1
45	PA1008003A0	CYLINDER				1
46	PJ308040002	QUICK COUPLING				3
47	PC012401000	SPEED CONTROLLER				2

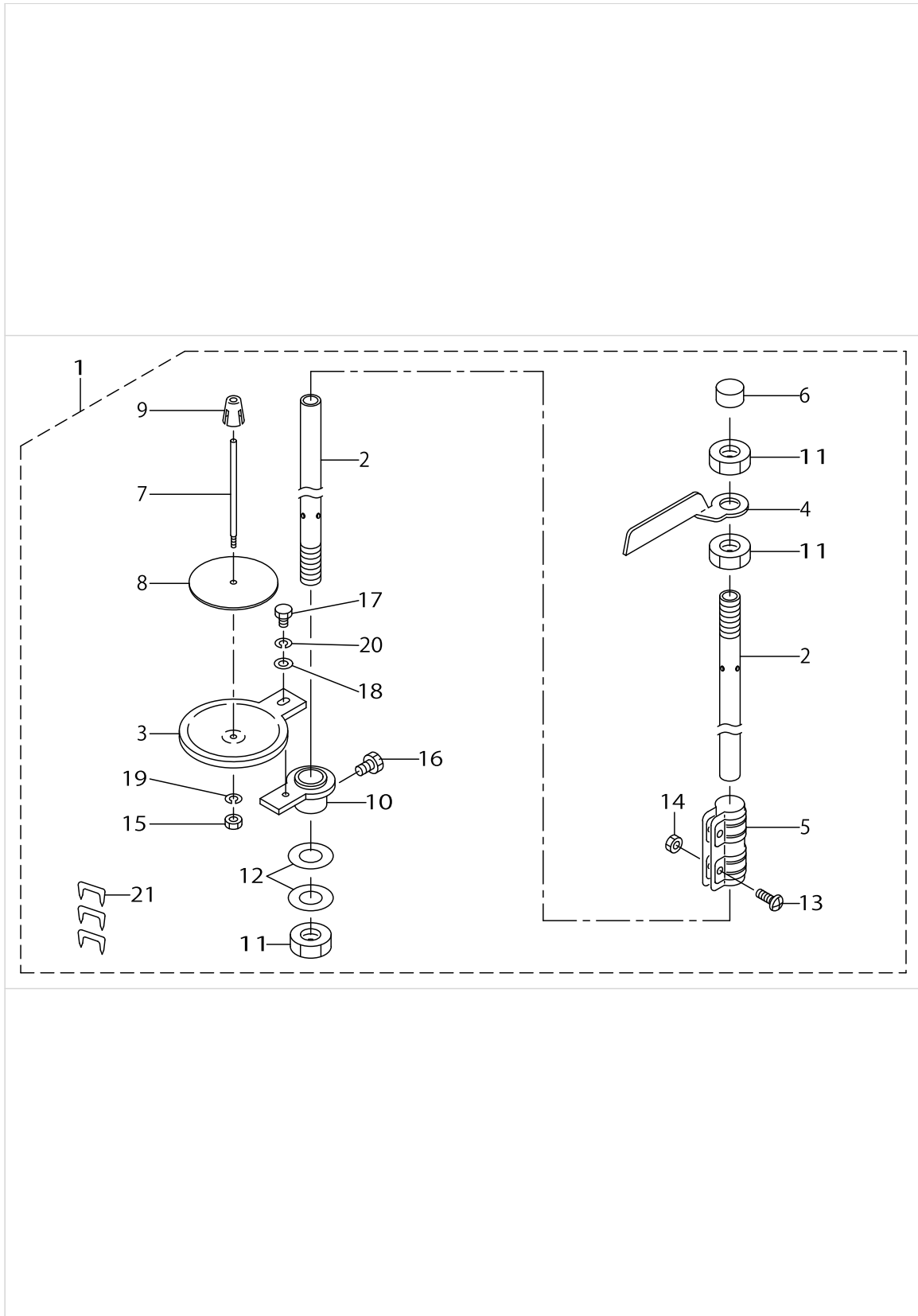
PNEUMATIC COMPONENTS



PNEUMATIC COMPONENTS

No.	Parts No.	Parts name	Remarks	Level	Cons	Qty
48	BT0600401EB	TUBE				0.2
49	BT0400251EB	URETHANE HOSE, BLACK				25.9

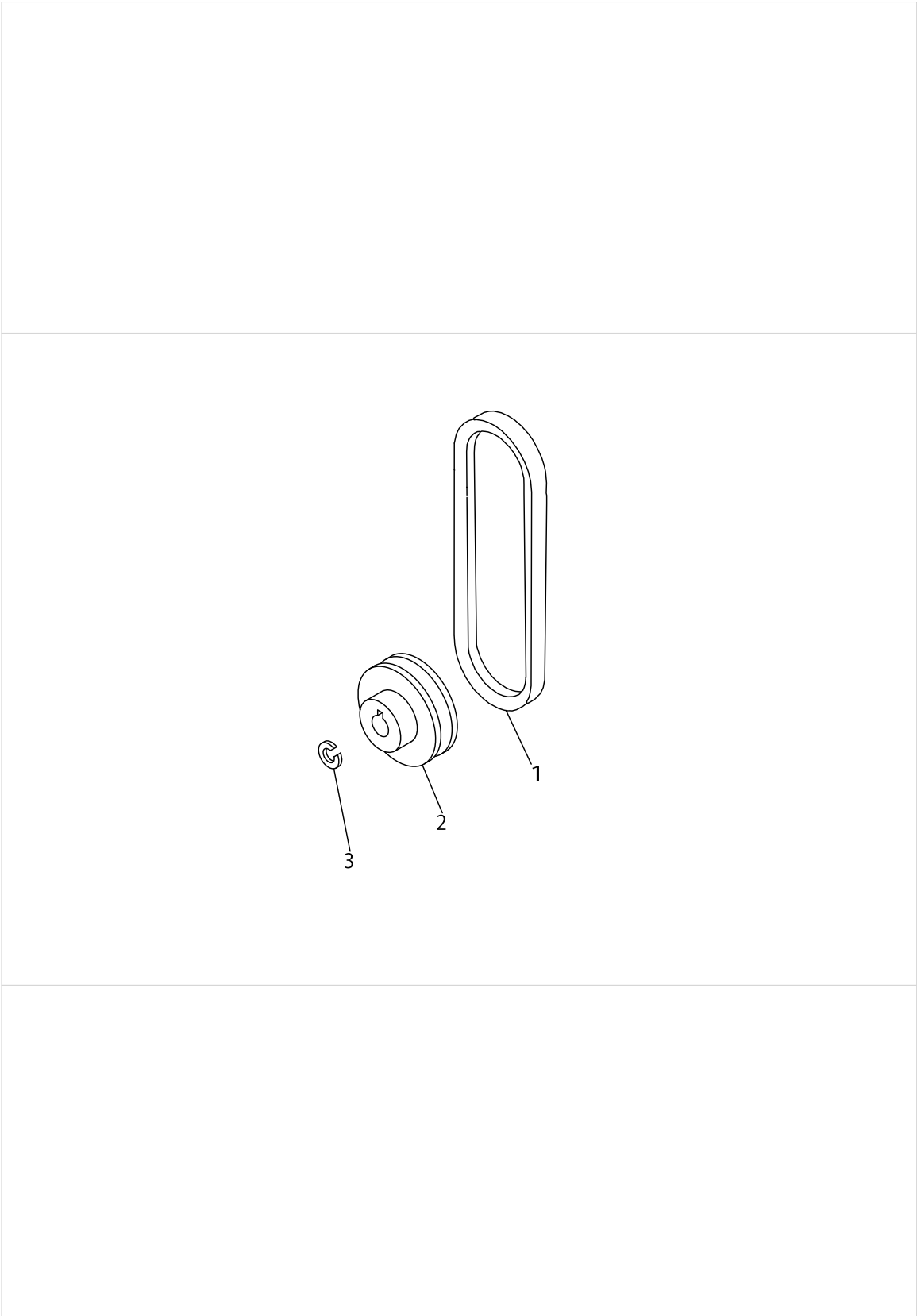
THREAD STAND COMPONENTS



THREAD STAND COMPONENTS

No.	Parts No.	Parts name	Remarks	Level	Cons	Qty
1	B33011800AA	THREAD STAND ASM.				1
2	11185105	SPOOL REST ROD,LOWER		*		2
3	B3303180000	SPOOL REST		*		1
4	B3307704000	THREAD GUIDE A		*		1
5	B3305704000A	SPOOL REST ROD JOINT		*		1
6	B3311704000	SPOOL REST ROD CAP		*		1
7	B3320704L00A	SPOOL PIN		*		1
8	B3311012000	SPOOL REST CUSHION		*		1
9	11185501	SPOOL RETAINER		*		1
10	D3302772T00	SPOOL REST BRACKET		*		1
11	B3317704000	NUT		*		3
12	WP1612616SE	WASHER 16X30X2.6		*		2
13	SM4051405SE	SCREW M5 L=14		*		2
14	NM6050001SE	NUT M5		*		2
15	NM6050001SE	NUT M5		*		1
16	SM9061080SE	SCREW M6 L=10		*		1
17	SM9050813SE	SCREW M5X0.8 L=8		*		1
18	WP0520656SA	WASHER 5.2X9.5X0.6		*		1
19	WS0510002KN	SPRING WASHER		*		1
20	WS0521010KN	SPRING WASHER 5.2X8.2X1		*		1
21	MAO11532000	CORD STAPLE		*		3

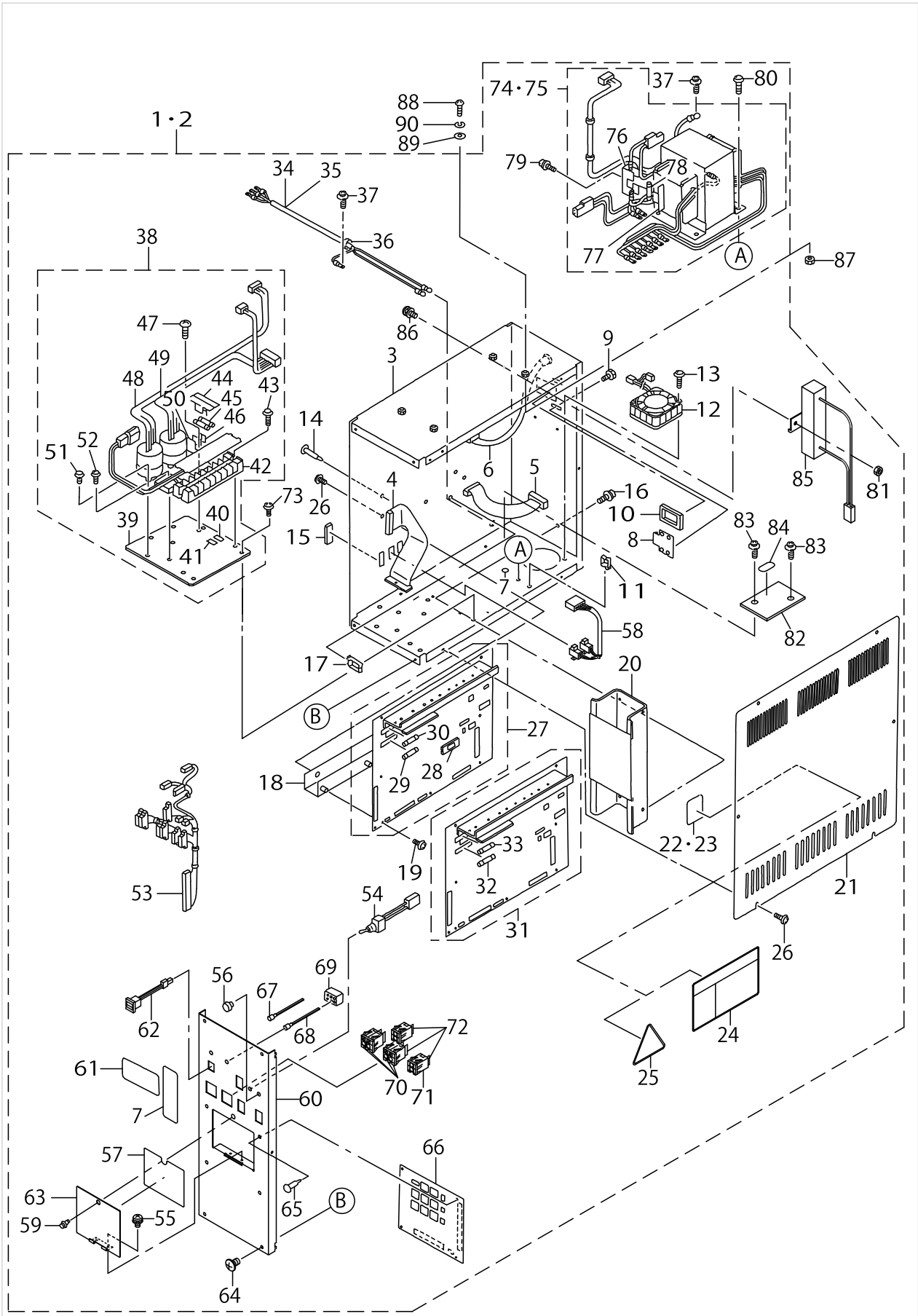
MOTOR PULLEY COMPONENTS



MOTOR PULLEY COMPONENTS

No.	Parts No.	Parts name	Remarks	Level	Cons	Qty
1	MTJVM003500	V-BELT, 35 INCH				1
2	MTSP0055000A	MOTOR PULLEY				1
3	WS1002560KR	SPRING WASHER 10X18X2.5				1

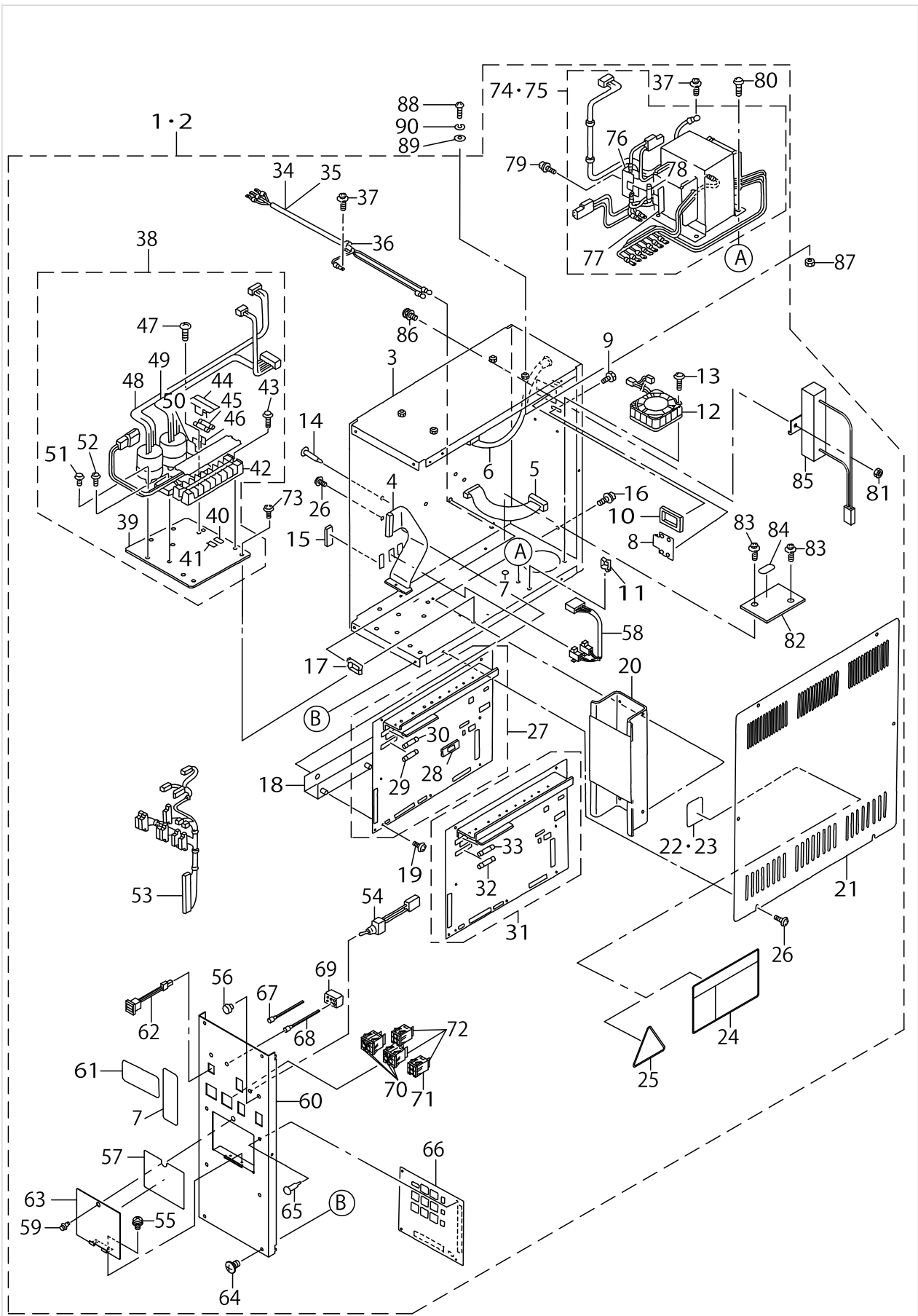
CONTROL BOX COMPONENTS



CONTROL BOX COMPONENTS

No.	Parts No.	Parts name	Remarks	Level	Cons	Qty
1	25343559	CONTROL BOX A ASM.	FOR 100,110,120,200,220,240V			1
2	25344458	CONTROL BOX B ASM.	FOR 220,240,380,415,440V			1
3	G1001192000	CONTROL BOX FRAME BODY		*		1
4	17840455	PANEL SIGNALING CORD ASM.		*		1
5	M85215110A0	PMDC CORD ASM.		*		1
6	M85235110A0	SYNCHRONIZER CORD ASM.		*		1
7	17841602	SEAL		*		1
8	17845009	CORD FITTING PLATE		*		1
9	SM9040803SF	SCREW M4X8		*		2
10	HX004070000	BUSH		*		1
11	HX00222000A	CABLE CLAMP		*		3
12	17977752	BOX FAN ASM.		*		1
13	SL4043291SC	SCREW M4X0.7 L=32		*		2
14	HX00408000A	BOARD PARTS		*		4
15	M3011110000	PLUG		*		1
16	SL4030891SC	SCREW M3X8		*		4
17	HX00222000B	CABLE CLAMP		*		2
18	M1002519000	CPU BOARD BRACKET		*		1
19	SL4030691SC	SCREW M3X6		*		3
20	M86025110A0	P.C BOARD ASM.		*		1
21	G10031920A0	CONTROL BOX COVER ASM.		*		1
22	M300551100A	SEAL A	FOR 100,110,120,200,220,240V	*		1
23	M300551100B	SEAL B	FOR 220,240,380,415,440V	*		1
24	CM300100101	DANGER LABEL (SMALL)	FOR DOMESTIC USE	*		1
25	CM300100001	LABEL	FOR EXPORT	*		1
26	SL4041091SC	SCREW M4 L=10		*		8
27	25343757	CPU CIRCUIT BOARD COMPL.		*		1
28	HL010520181	IC		*		1
29	E9613601000	FUSE 2A		*		1
30	E9672452000	FUSE 3A		*		1
31	25015371	CPU CIRCUIT BOARD ASM.		*		1
32	E9613601000	FUSE 2A		*		1
33	E9672452000	FUSE 3A		*		1
34	17844754	AC POWER SOURCE CORD ASM.		*		1
35	25019050	AC POWER SOURCE CORD ASM.	FOR JE	*		1
36	HX004100000	BUSH		*		1
37	SL4040691SC	SCREW M4 L=6		*		2
38	M85195110A0	POWER PLATE ASM.		*		1
39	M1020511000	POWER PLATE		*		1
40	M952017100A	FUSE SEAL F1		*		1
41	M952017100B	FUSE SEAL F2		*		1
42	HK026650080	TERMINAL BASE 8P		*		1
43	SL4041081SC	SCREW M4 L=10		*		2
44	HF00511000B	FUSE HOLDER COVER		*		2
45	HF001400700	TIME LAG FUSE 7A		*		2
46	HF005111000	FUSE HOLDER		*		1
47	SL4031281SC	SCREW M3 L=12		*		2

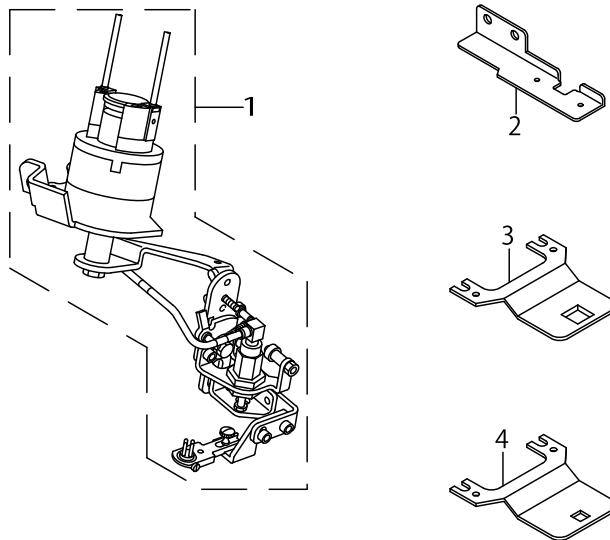
CONTROL BOX COMPONENTS



CONTROL BOX COMPONENTS

No.	Parts No.	Parts name	Remarks	Level	Cons	Qty
48	M85255110A0	SOLENOID POWER SOURCE ASM.		*		1
49	M85265110A0	PMDC POWER SOURCE ASM.		*		1
50	HF00511100A	FUSE HOLDER		*		1
51	SL4030891SC	SCREW M3X8		*		4
52	SL4041691SC	SCREW M4 L=16		*		2
53	25343856	SWITCH CONNECTOR ASM.		*		1
54	17978057	SWITCH ASM.		*		1
55	SL4030691SC	SCREW M3X6		*		2
56	TA0750404R0	PLUG D=7.5 L=3.5		*		1
57	25344607	SEAL		*		1
58	25015553	CODE ASM.		*		1
59	M8808301000	NYLATCH		*		1
60	25343609	CONTROL BOX PANEL		*		1
61	25343906	SEAL		*		1
62	17841453	SWITCH ASM. B		*		1
63	17845108	PANEL COVER		*		1
64	SM0040601SC	SCREW M4X0.7 L=6		*		7
65	HX00269000D	SPACER		*		4
66	17840158	OPERATION CIRCUIT BOARD ASM.		*		1
67	17841156	LED (GREEN) ASM.		*		1
68	17841255	LED (ORANGE) ASM.		*		1
69	HK034610060	HOUSING 6P		*		1
70	HA00001000C	SWITCH		*		5
71	HA00001000B	SWITCH		*		2
72	HA000010010	END PLATE		*		5
73	SL4041091SC	SCREW M4 L=10		*		3
74	17840752	TRANSFORMER ASM. A	FOR 100,110,120,200,220,240V	*		1
75	17840851	TRANSFORMER ASM. B	FOR 220,240,380,415,440V	*		1
76	HF005111000	FUSE HOLDER		*		1
77	HF00511000B	FUSE HOLDER COVER		*		1
78	E9613601000	FUSE 2A		*		1
79	SL4041491SC	SCREW 4 X 14		*		1
80	SL4051091SC	SCREW M5X0.8 L=10		*		4
81	NM6030001SC	NUT M3		*		1
82	M1004519000	GROUND PLATE B	FOR JE	*		1
83	SL4041081SC	SCREW M4 L=10	FOR JE	*		2
84	CM200100001	PE MARK LABEL	FOR JE	*		1
85	M85064350A0	RADIATION RESISTANCE ASM.		*		1
86	SL4030891SC	SCREW M3X8		*		1
87	NM6060001SC	NUT M6				4
88	SM3065052TC	SCREW				4
89	WP0651001SC	WASHER				4
90	WS0610002KN	SPRING WASHER 6.1X12.2X1.5				4

OPTION COMPONENTS



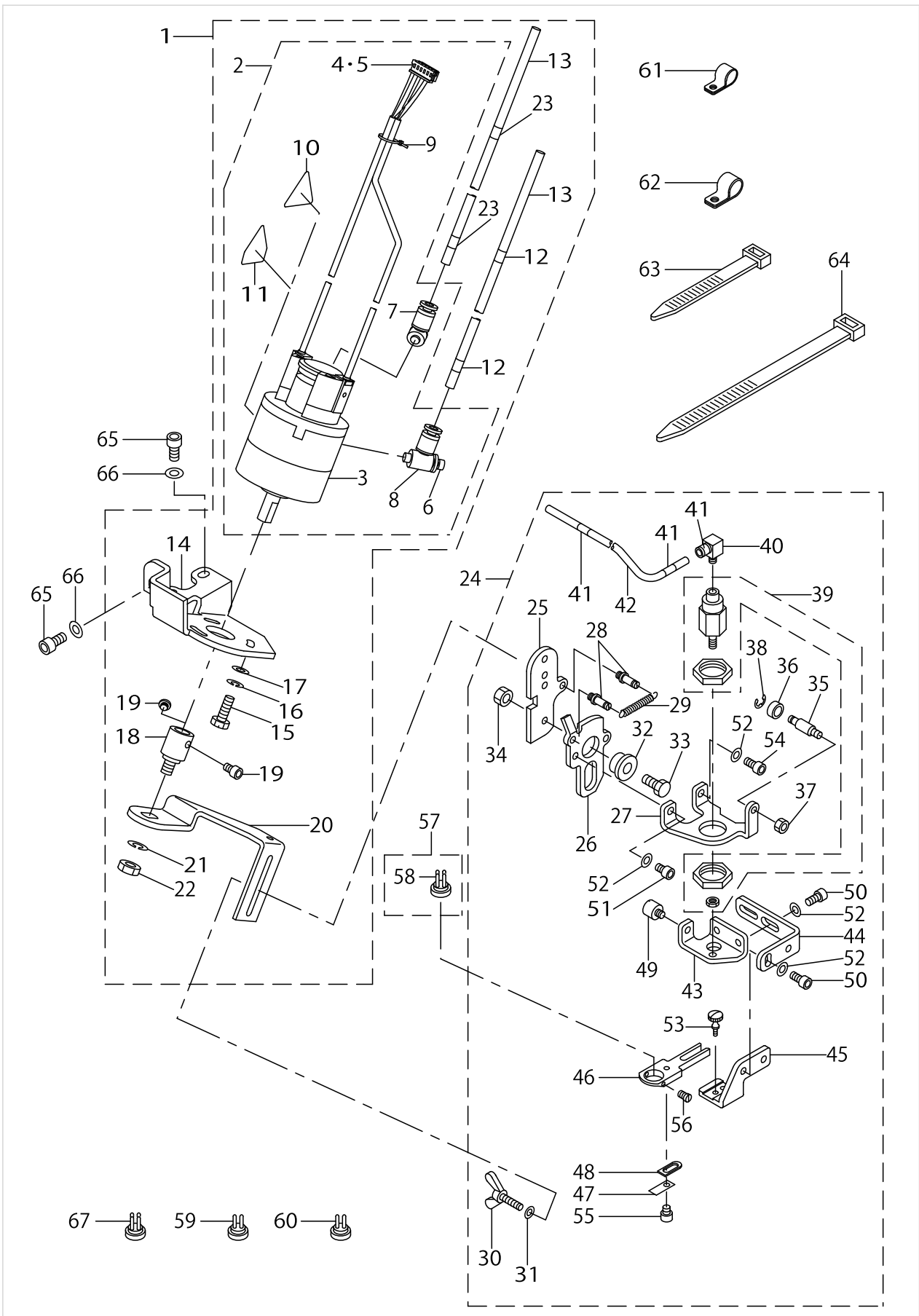
Button carrier(for 4-holed) ボタンキャリア (4つ穴用)											
1				2				3			
Mark 刻印	No	Part No. 品番	Size 寸法	Mark 刻印	No	Part No. 品番	17857509	Mark 刻印	No	Part No. 品番	Size 寸法
A	5	17856600	a2.0 b1.0	D	8	17856907	a2.8 b1.2	K	15	17857608	a4.0 b1.4
B	6	17856709	a2.4 b1.2	E	9	17857004	a2.8 b1.4	K1	16	17857707	a4.0 b1.8
C	7	17856808	a2.6 b1.2	F	10	17857103	a3.0 b1.2	L	17	17858002	a5.0 b1.8
				F1	11	17857202	a3.0 b1.4				
				G	12	17857301	a3.2 b1.4				
				H	13	17857400	a3.4 b1.4				
				J	14	17857509	a3.6 b1.4				

Button carrier(for 2-holed) ボタンキャリア (2つ穴用)							
4				5			
Mark 刻印	No	Part No. 品番	Size 寸法	Mark 刻印	No	Part No. 品番	Size 寸法
M	18	17858002	a2.0 b1.0	U	25	17858705	a4.0 b1.4
N	19	17858101	a2.4 b1.2	V	26	17858804	a4.2 b1.4
P	20	17858200	a2.6 b1.2	W	27	17858903	a4.4 b1.4
Q	21	17858309	a2.8 b1.2	X	28	17859000	a4.6 b1.4
R	22	17858408	a3.0 b1.2	Y	29	17859109	a4.8 b1.4
S	23	17858507	a3.2 b1.4	Z	30	17859208	a5.0 b1.4
T	24	17858606	a3.4 b1.4				

OPTION COMPONENTS

No.	Parts No.	Parts name	Remarks	Level	Cons	Qty
1	25343450	LOADER ASM.				1
2	25005208	SUPPORT PLATE LOWER				1
3	17828906	SUPPORT PLATE LOWER (L BUTTON)				1
4	17829102	SUPPORT PLATE LOWER (S BUTTON)				1
5	17856600	BUTTON CARRIER				1
6	17856709	BUTTON CARRIER				1
7	17856808	BUTTON CARRIER				1
8	17856907	BUTTON CARRIER				1
9	17857004	BUTTON CARRIER	STANDARD TYPE			1
10	17857103	BUTTON CARRIER				1
11	17857202	BUTTON CARRIER				1
12	17857301	BUTTON CARRIER				1
13	17857400	BUTTON CARRIER	STANDARD TYPE			1
14	17857509	BUTTON CARRIER				1
15	17857608	BOTTON CARRIER				1
16	17857707	BOTTON CARRIER				1
17	17857806	BOTTON CARRIER				1
18	17858002	BOTTON CARRIER				1
19	17858101	BOTTON CARRIER				1
20	17858200	BOTTON CARRIER				1
21	17858309	BOTTON CARRIER				1
22	17858408	BOTTON CARRIER				1
23	17858507	BUTTON CARRIER				1
24	17858606	BUTTON CARRIER	STANDARD TYPE			1
25	17858705	BOTTON CARRIER				1
26	17858804	BUTTON CARRIER	STANDARD TYPE			1
27	17858903	BOTTON CARRIER				1
28	17859000	BOTTON CARRIER				1
29	17859109	BOTTON CARRIER				1
30	17859208	BOTTON CARRIER				1

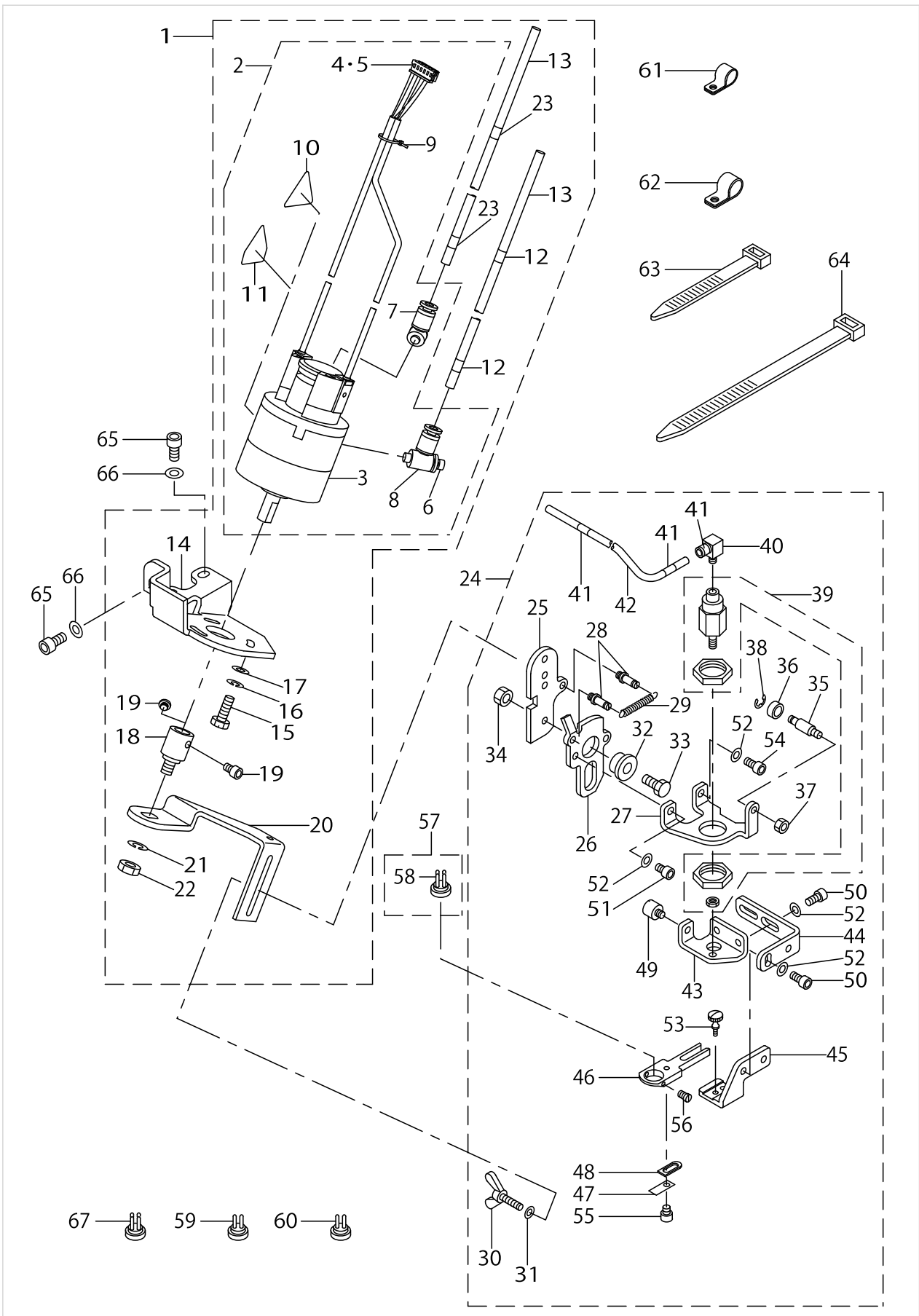
BUTTON LODER COMPONENTS (1)



BUTTON LODER COMPONENTS (1)

No.	Parts No.	Parts name	Remarks	Level	Cons	Qty
1	25014051	LOADER UNIT (A)				1
2	25014655	ROTARY ACTUATOR ASM.		*		1
3	PA8000140B0	ROTARY ACTUATOR		*		1
4	HK028910060	HOUSING 6P		*		1
5	HK029040000	PIN TERMINAL		*		6
6	PC010508000	SPEED CONTROLLER		*		2
7	18038208	WIRE MARK (33)		*		1
8	18038505	WIRE MARK (36)		*		1
9	EA9500B0100	CABLE BAND		*		1
10	CM300200003	ATTENTION LABEL	FOR EXPORT	*		1
11	CM3002000B3	LABEL,,(31.5)	FOR DOMESTIC USE	*		1
12	18038505	WIRE MARK (36)		*		2
13	BT0400251EB	URETHANE HOSE, BLACK		*		3.4
14	25014002	LOADER CYLINDER FITTING PLATE		*		1
15	SM9051450SC	SCREW M5X0.8 L=14		*		3
16	WP0531000SC	WASHER 5.3X10X1		*		3
17	WS0510002KN	SPRING WASHER		*		3
18	17973108	LOADER LINK SHAFT		*		1
19	SM6040602TP	SCREW M4 L=6		*		2
20	25014101	LOADER LINK A		*		1
21	NM6060001SC	NUT M6		*		1
22	WS0610002KN	SPRING WASHER 6.1X12.2X1.5		*		1
23	18038208	WIRE MARK (33)		*		2
24	25014259	LOADER UNIT (B)				1
25	17850306	LOADER LINK B		*		1
26	17850405	LOADER LINK C		*		1
27	17850504	FITTING PLATE		*		1
28	17850603	SPRING PACK SHAFT		*		2
29	17850702	LOADER LINK SPRING		*		1
30	17974809	THUMBSCREW		*		1
31	WP0501046SC	WASHER 5 X 13 X 1		*		1
32	SB105001100	ROLL SHAFT HOLDER		*		1
33	SD0500356TP	STEP-SCREW		*		1
34	NM6050002SC	NUT M5		*		1
35	17850801	BEARING FITTING SHAFT		*		1
36	SB104000300	BUSHING		*		1
37	NM6040001SC	NUT M4		*		1
38	RE0300000K0	E-RING 3		*		1
39	PA1000506A0	CYLINDER		*		1
40	PJ046052503	HOSE ELBOW		*		1
41	18038109	WIRE MARK (32)		*		3
42	BT0400251EB	URETHANE HOSE, BLACK		*		2
43	17851007	LOADER LINK D		*		1
44	17851106	LOADER LINK E		*		1
45	25014200	LOADER LINK F		*		1
46	17851304	BUTTON CARRIER FITTING BASE		*		1
47	17851403	BUTTON CARPIER SPACER A		*		1

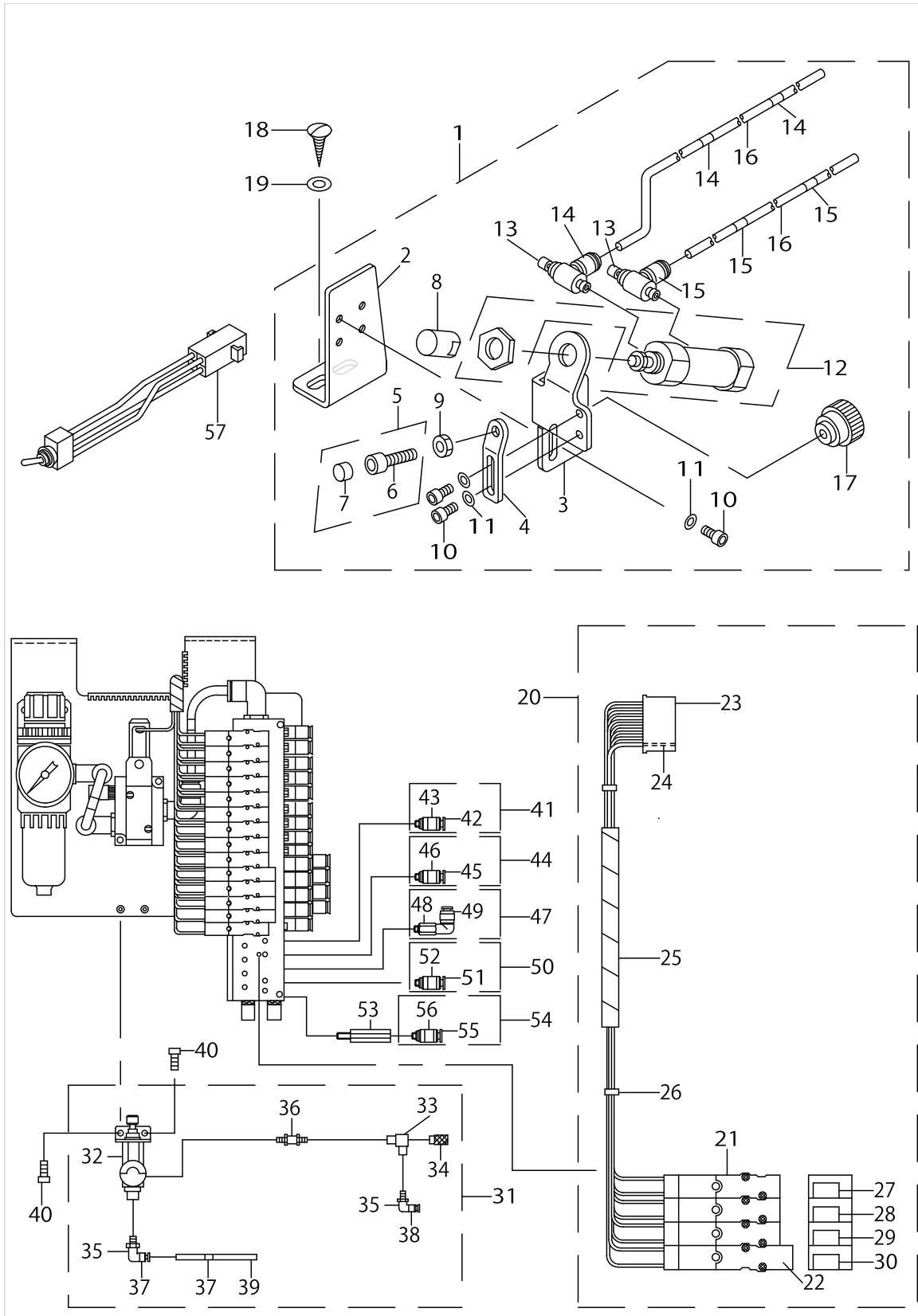
BUTTON LODER COMPONENTS (1)



BUTTON LODER COMPONENTS (1)

No.	Parts No.	Parts name	Remarks	Level	Cons	Qty
48	17851502	BUTTON CARPIER SPACER B		*		1
49	17850900	GUIDE SHAFT		*		1
50	SM6040802TR	SCREW M4X0.7 L=8		*		4
51	SM6040602TR	SCREW M4 L=6		*		1
52	WP0430801SC	WASHER 4.3X9X0.8		*		6
53	B2549372000	CLAMP SCREW A		*		1
54	SM6041202TR	SCREW M4 L=12		*		1
55	SM6030402TN	BOLT M3X4		*		1
56	SM6850350TP	FLAT SCREW		*		1
57	17857400	BUTTON CARRIER				1
58	GBR01155H00	SET PIN H		*		4
59	17858606	BUTTON CARRIER				1
60	17858804	BUTTON CARRIER				1
61	HX00150000G	CABLE CLIP				1
62	HX00150000K	CABLE CLIP				1
63	EA9500B0100	CABLE BAND				10
64	HX00065000B	CABLE BAND				3
65	SM6051002TR	SCREW M5 L=10				3
66	WP0531000SC	WASHER 5.3X10X1				3
67	17857400	BUTTON CARRIER				1

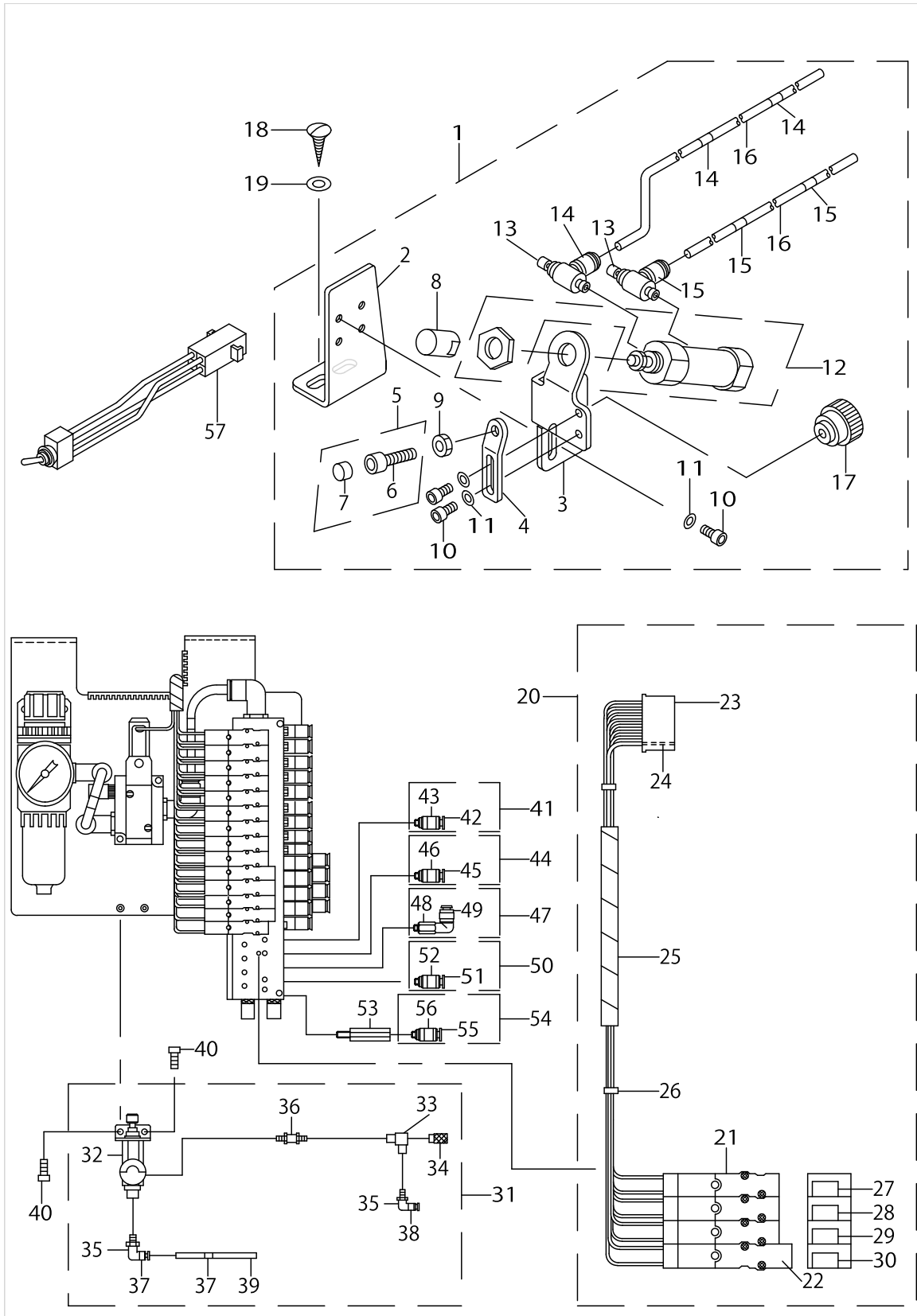
BUTTON LODER COMPONENTS (2)



BUTTON LODER COMPONENTS (2)

No.	Parts No.	Parts name	Remarks	Level	Cons	Qty
1	25014556	LOADER STOPPER ASM.				1
2	25014507	BASE PLATE		*		1
3	17851718	CYLINDER FITTING PLATE		*		1
4	17851817	STOPPER CUSHION FITTING PLATE		*		1
5	17853656	CUSHION ASM.		*		1
6	17853607	STOPPER CUSHION HOLDER		*		1
7	B1516180000	BUSH		*		1
8	17852005	STOPPER		*		1
9	NM6050002SC	NUT M5		*		1
10	SM6040802TR	SCREW M4X0.7 L=8		*		4
11	WP0430801SC	WASHER 4.3X9X0.8		*		4
12	PA1601513A0	AIR CYLINDER		*		1
13	PC010508000	SPEED CONTROLLER		*		2
14	18038604	WIRE MARK (37)		*		3
15	18038703	WIRE MARK (38)		*		3
16	BT0400251EB	URETHANE HOSE, BLACK		*		3
17	25014309	SCREW		*		1
18	WP0561616SC	WASHER 5.6X16X1.6				2
19	SK3513200SC	WOOD SCREW D=5.1 L=32				2
20	25014457	SOLENOID VALVE ASM.				1
21	PV130517000	SOLENOID VALVE		*		3
22	PV150517000	SOLENOID VALVE		*		1
23	HK028910080	HOUSING 8P		*		1
24	HK029040000	PIN TERMINAL		*		8
25	HX001890000	SPIRAL TUBE		*		0.3
26	EA9500B0100	CABLE BAND		*		2
27	18036400	WIRE MARK (15)		*		1
28	18036509	WIRE MARK (16)		*		1
29	18036608	WIRE MARK (17)		*		1
30	18036707	WIRE MARK (18)		*		1
31	17852559	DECOMPRESSION VALVE ASM.				1
32	PC0205010A0	MINIATURE DECOMPRESSION VALVE		*		1
33	GEP01013000	VALVE		*		1
34	PX050501000	SILENCER		*		1
35	PJ304040504	ELBOW UNION		*		2
36	PJ030050001	UNIVERSAL NIPPLE		*		1
37	18038307	WIRE MARK (34)		*		2
38	18038505	WIRE MARK (36)		*		1
39	BT0400251EB	URETHANE HOSE, BLACK		*		0.2
40	SL4040891SC	SCREW M4 L=8				2
41	17852955	HALF UNION C ASM.				1
42	PJ301040505	HALF UNION		*		1
43	18038109	WIRE MARK (32)		*		1
44	17853052	HALF UNION D ASM.				1
45	PJ301040505	HALF UNION		*		1
46	18038208	WIRE MARK (33)		*		1
47	17853359	LONG ELBOW ASM.				1

BUTTON LODER COMPONENTS (2)



BUTTON LODER COMPONENTS (2)

No.	Parts No.	Parts name	Remarks	Level	Cons	Qty
48	PJ304040507	LONG ELBOW UNION		*		1
49	18038307	WIRE MARK (34)		*		1
50	17853151	HALF UNION E ASM.				1
51	PJ301040505	HALF UNION		*		1
52	18038604	WIRE MARK (37)		*		1
53	PJ010505001	JOINT				1
54	17853250	HALF UNION F ASM.				1
55	PJ301040505	HALF UNION		*		1
56	18038703	WIRE MARK (38)		*		1
57	17973751	LOADER SWITCH ASM.				1

HOW TO MAKE USE OF THIS PARTS LIST

1.As to "#01" and "#02" refer to the "Note" given at the bottom of the respective pages.

2.Codes on the "Qty" column

- Each numeral indicates the number of parts required.
- "0.1" and "2.5" indicate the length (in meters) of the respective parts.

3.Parentheses mean that the corresponding part is a subpart that constructs an assembly part.

4.Dotted lines on the Figures indicate assembly parts.

1. リストページの# 0 1、# 0 2の印は、ページ下の"注記"の説明を参照下さい。
2. 数量欄の数字は、個数を表し、0. 1、2. 5等の数値は、長さ（単位メートル）を表します。
3. 数量欄の（ ）は、組部品を構成している子部品であることを意味します。
4. イラストページの-----枠は、組構成であることを意味します。

NUMERICAL INDEX OF PARTS

PART NO	PAGE	REF NO.	PART NO	PAGE	REF NO.	PART NO	PAGE	REF NO.
10004109	24	51	17806605	16	8	17816919	26	13
11047305	24	50	17806902	16	19	17817206	40	17
11102308	46	26	17806951	16	16	17818600	34	32
11155108	42	45	17807702	12	75	17821018	30	66
11155207	42	46	17807801	12	76	17821018	32	66
11157658	42	3	17807900	6	15	17821208	30	65
11157757	42	2	17808056	12	65	17821208	32	65
11158300	42	5	17808106	12	53	17821802	30	71
11158409	42	11	17808205	12	66	17821802	32	71
11158508	42	19	17808304	12	67	17822800	38	5
11158607	42	6	17808452	10	18	17822909	38	12
11159001	46	37	17808551	12	80	17823006	38	13
11185105	54	2	17808759	12	84	17823105	38	15
11185501	54	9	17808809	12	86	17823550	38	41
11280856	42	33	17808908	12	88	17823709	38	4
11503505	40	18	17809005	12	89	17824004	38	18
11528809	48	46	17809104	12	90	17824103	38	9
13943204	4	69	17809203	12	52	17824202	38	17
16115354	44	70	17810052	10	37	17824400	38	19
16258402	44	69	17810912	2	32	17824608	38	23
16450702	48	13	17811068	2	15	17825514	28	57
16658700	8	70	17811803	4	65	17825514	34	46
17007402	42	12	17811902	4	71	17826504	40	19
17800707	10	31	17812207	2	41	17826603	40	2
17801309	2	3	17812405	4	59	17828906	62	3
17801408	2	34	17812603	22	1	17829003	28	70
17801804	2	5	17812702	22	8	17829102	62	4
17802216	2	24	17812801	18	26	17830100	34	16
17802307	2	21	17812801	22	13	17830209	34	13
17802505	4	77	17812900	22	5	17830415	34	21
17802505	12	92	17813007	22	28	17832858	42	1
17802604	12	93	17813056	22	27	17832957	42	8
17803057	2	14	17813106	22	19	17833054	42	7
17803107	16	5	17813304	22	42	17833104	42	14
17803206	16	6	17813403	22	4	17833203	42	35
17803909	8	58	17813817	18	43	17833302	42	15
17804006	6	47	17814054	18	1	17833401	42	16
17804204	8	52	17814104	18	3	17833500	42	17
17804253	8	51	17814203	20	58	17833658	42	10
17804303	14	5	17814500	20	54	17833807	44	68
17804402	14	6	17816307	26	7	17833955	44	67
17805300	8	49	17816406	26	23	17835000	42	28
17805359	8	48	17816505	26	19	17835109	42	29
17805607	6	16	17816604	26	2	17835307	42	30
17806506	16	9	17816711	26	29	17836206	48	2

NUMERICAL INDEX OF PARTS

PART NO	PAGE	REF NO.	PART NO	PAGE	REF NO.	PART NO	PAGE	REF NO.
17836305	48	16	17856808	62	7	17967308	40	9
17836404	44	65	17856907	62	8	17969304	30	4
17839507	50	2	17857004	62	9	17969403	30	5
17840158	60	66	17857103	62	10	17970609	30	64
17840455	58	4	17857202	62	11	17970609	32	64
17840653	20	56	17857301	62	12	17970807	34	1
17840752	60	74-75	17857400	62	13	17970906	34	2
17840851	60	74-75	17857400	66	67	17971003	34	3
17841156	60	67	17857509	62	14	17971805	42	23
17841255	60	68	17857608	62	15	17972357	50	16
17841453	60	62	17857707	62	16	17973108	64	18
17841602	58	7	17857806	62	17	17973751	70	57
17841958	48	8	17858002	62	18	17974809	64	30
17842055	48	20	17858101	62	19	17977752	58	12
17842352	36	51	17858200	62	20	17978057	60	54
17844754	58	34	17858309	62	21	17978453	48	34
17845009	58	8	17858408	62	22	18036004	38	40
17845108	60	63	17858507	62	23	18036400	68	27
17848458	48	29	17858606	62	24	18036509	68	28
17848508	48	30	17858606	66	59	18036608	68	29
17850306	64	25	17858705	62	25	18036707	68	30
17850405	64	26	17858804	62	26	18038109	64	41
17850504	64	27	17858804	66	60	18038109	68	43
17850603	64	28	17858903	62	27	18038208	64	23
17850702	64	29	17859000	62	28	18038208	68	46
17850801	64	35	17859109	62	29	18038307	68	49
17850900	66	49	17859208	62	30	18038307	70	49
17851007	64	43	17961202	6	43	18038505	64	12
17851106	64	44	17961400	6	2	18038505	68	38
17851304	64	46	17961707	10	44	18038604	68	52
17851403	64	47	17961905	2	36	18038604	70	52
17851502	66	48	17962101	4	51	18038703	68	56
17851718	68	3	17962200	4	49	18038703	70	56
17851817	68	4	17962358	2	16	25000308	2	12
17852005	68	8	17962408	2	30	25000456	2	11
17852559	68	31	17962507	6	5	25000605	6	31
17852955	68	41	17962804	6	12	25000704	6	29
17853052	68	44	17962903	6	9	25000803	6	38
17853151	70	50	17963018	6	14	25000902	6	33
17853250	70	54	17963703	20	51	25001009	6	28
17853359	68	47	17964909	36	50	25001108	6	27
17853607	68	6	17966300	38	28	25001355	6	35
17853656	68	5	17966359	38	27	25001405	8	54
17856600	62	5	17966714	2	47	25001603	22	11
17856709	62	6	17967209	40	11	25001702	16	22

NUMERICAL INDEX OF PARTS

PART NO	PAGE	REF NO.	PART NO	PAGE	REF NO.	PART NO	PAGE	REF NO.
25001751	16	21	25007709	34	33	25014051	64	1
25001900	16	10	25007808	34	34	25014101	64	20
25002007	16	2	25007907	34	37	25014200	64	45
25002502	6	41	25008004	34	39	25014259	64	24
25002601	8	72	25008103	34	42	25014309	68	17
25002809	2	27	25008152	34	41	25014457	68	20
25002908	2	28	25008202	34	43	25014507	68	2
25002957	2	23	25008319	36	48	25014556	68	1
25003062	6	6	25008426	36	60	25014655	64	2
25003104	8	69	25008509	36	61	25014903	44	58
25003203	2	44	25008608	34	20	25015371	58	31
25003302	40	1	25009002	28	68	25015553	60	58
25003401	40	3	25009051	28	67	25018706	18	47
25003500	2	1	25009101	8	68	25018706	22	38
25003609	6	1	25010000	30	2	25018755	18	46
25003757	4	64	25010059	30	1	25018854	22	37
25003807	4	61	25010158	30	3	25018953	44	61
25003906	4	60	25010208	30	6	25019050	58	35
25004003	22	32	25010307	30	7	25019365	48	1
25004110	26	1	25010604	30	59	25343005	42	21
25004201	26	11	25010604	32	59	25343104	42	34
25004300	26	12	25010703	30	60	25343450	62	1
25004508	26	69	25010703	32	60	25343559	58	1-2
25004508	28	69	25010802	30	27	25343609	60	60
25004607	26	33	25010851	30	25	25343757	58	27
25004706	26	36	25010950	30	28	25343856	60	53
25004805	26	42	25011008	30	29	25343906	60	61
25005000	26	43	25011107	30	30	25344458	58	1-2
25005109	28	75	25011206	30	31	25344607	60	57
25005208	62	2	25011305	30	32	B1104372A00	4	58
25005505	28	49	25011404	32	52	B1110372000	4	56
25005604	28	60	25011453	32	49	B1111372000	4	54
25005703	28	53	25011552	32	53	B1119373000	2	39
25005752	28	52	25011602	32	54	B1120372000	4	52
25005802	28	54	25011701	32	55	B1120372000	48	4
25005901	28	59	25011800	32	56	B1131521000	2	25
25006602	38	1	25011909	32	57	B1136850000	2	26
25006701	38	32	25012006	30	61	B1215372A00	8	65
25006750	38	31	25012006	32	61	B1215372B00	14	4
25006800	38	33	25012303	34	5	B1216372000	14	2
25006909	38	34	25012402	34	12	B1217372000	14	11
25007006	38	35	25012600	48	17	B12173720A0	14	10
25007105	38	36	25013202	48	42	B1222372000	8	66
25007501	34	30	25013251	48	36	B1223372000	14	3
25007626	34	31	25014002	64	14	B1224372000	8	63

NUMERICAL INDEX OF PARTS

PART NO	PAGE	REF NO.	PART NO	PAGE	REF NO.	PART NO	PAGE	REF NO.
B12243720A0	8	62	B2502210000	18	10	BT0400251EB	52	49
B1227372000A	8	56	B2503210000	18	11	BT0400251EB	64	42
B1232372000	6	36	B2504210000	18	32	BT0400251EB	68	39
B1239372000	6	45	B2505210000	18	37	BT0600401EB	52	48
B1402372000	16	4	B2507210000	18	16	CM200100001	60	84
B1407372000	16	14	B2509210000	18	20	CM300100001	58	25
B1408372000	16	15	B2510205000	26	8	CM300100101	58	24
B1410372000	16	17	B2512205000	18	18	CM300200003	64	10
B1411372A00	16	13	B2513210000	18	22	CM3002000B3	64	11
B1412372000	16	18	B2513210000	22	15	CM300200101	4	75
B14163720A0	16	25	B2514210000	18	29	CM3002001A1	4	76
B1418372000	16	26	B2515210000	18	35	CM300500001	48	47
B1419372000	16	29	B2516205000A	18	25	CM500100001	44	90
B1421372000	10	2	B2516205000A	22	17	CQ200000000	16	23
B1516180000	68	7	B2519205000	18	5	CS0790741TH	6	46
B152652700G	28	58	B2519210000	18	6	CS1000811SP	38	7
B152652700G	34	47	B2520205000	18	7	CS1111019SH	8	59
B2004372000	12	50	B2521210000A	18	14	CS127101ASH	14	8
B2006372000	12	56	B2522205000	18	8	D3129555D00	10	39
B2007372000	12	61	B2522210000	18	19	D3302772T00	54	10
B2008372000	12	60	B2525205000	22	6	D6042555B00	48	24
B2011372000	12	49	B2526210000	22	21	D6043555B00	48	23
B2012372000	10	46	B2536210000	22	20	D8204555D00	42	49
B2014372000A	10	43	B2549372000	66	53	D8204555D00	44	49
B2015372000	10	41	B2574220000	2	45	D8621761C0B	20	49
B20153720A0	10	32	B2576220000	2	46	E1022760000	28	65
B2016372000	10	40	B3115372000	4	73	E8760452B00	36	58
B2017372000	10	34	B3120125000	10	91	E8760452H00	36	52
B2019372000	10	28	B3120125000	12	91	E8760452M00	20	50
B20193720AA	10	22	B3125012000	10	23	E8760452M00	22	41
B2020372000	10	29	B3127372000	2	18	E9561351000	44	62
B2021372000	10	25	B3132012000	10	26	E9613601000	58	78
B2024372000A	10	21	B3149123A00	2	19	E9613601000	60	78
B2026372000	10	19	B33011800AA	54	1	E9672452000	58	33
B2028372000	10	14	B3303180000	54	3	EA9500B0100	12	74
B2029372000	10	13	B3305704000A	54	5	EA9500B0100	24	49
B20313720A0	10	8	B3307704000	54	4	EA9500B0100	28	64
B2034372000	10	9	B3311012000	54	8	EA9500B0100	36	59
B2035372000	10	7	B3311704000	54	6	EA9500B0100	38	44
B2036372000	10	11	B3317704000	54	11	EA9500B0100	44	89
B2037372000	10	10	B3320704L00A	54	7	EA9500B0100	48	45
B2038372000	10	1	B4008205000	22	29	EA9500B0100	64	63
B2040373000	10	16	B821021000B	44	91	EA9500B0100	66	63
B2314019000	10	38	B821121000B	44	92	EA9500B0100	68	26
B2501205000	18	15	BT0400251EB	38	39	EA9500B0200	6	13

NUMERICAL INDEX OF PARTS

PART NO	PAGE	REF. NO.	PART NO	PAGE	REF. NO.	PART NO	PAGE	REF. NO.
EA9500B0200	42	44	HF00511100A	60	50	M300551100B	58	22·23
EA9500B0200	50	28	HK003940010	20	48	M3011110000	58	15
EA9564B0100	44	63	HK003940010	22	39	M85064350A0	60	85
EA9564B0300	44	64	HK018620060	22	40	M85195110A0	58	38
F1021003000	50	1	HK024910050	36	56	M85215110A0	58	5
G1001192000	58	3	HK026650080	58	42	M85225110A0	48	35
G10031920A0	58	21	HK028910060	64	4·5	M85235110A0	58	6
GAK320010A0	44	78	HK028910080	68	23	M85255110A0	60	48
GAK320010B0	44	77	HK029040000	64	4·5	M85265110A0	60	49
GBR01155H00	66	58	HK029040000	68	24	M85305110A0	48	33
GBR01227000	34	36	HK032040000	36	57	M86025110A0	58	20
GBR01333000	26	46	HK034610060	60	69	M8808301000	60	59
GBR01357000	26	45	HL010520181	58	28	M952017100A	58	40
GEP01013000	68	33	HM000550000	48	21	M952017100B	58	41
GHP03537000	46	18~20	HW000660050	36	55	MAI15040000	44	86
GPK14013000	46	15	HX000130000	42	40	MAI15040000	48	22
GPK1800600AA	46	35	HX00065000B	42	43	MAO11532000	44	50
GPK1800700AA	46	36	HX00065000B	66	64	MAO11532000	54	21
GPK260030AA	46	3	HX00088000A	28	66	MAT80230T00	44	79
GPK2600700A	46	6	HX00088000A	36	53	MAT80231T00	44	80
GPK2600800A	46	5	HX00150000A	22	48	MAT80232T00	44	81
GPK26009000	46	7	HX00150000A	24	48	MAT81126T00	44	87
GPK26010000	46	11	HX00150000A	38	10	MCSM3320900	16	1
GPK26011000	46	8	HX00150000A	44	53	MTJMS000030	42	24
GPK26022000	46	32	HX00150000D	2	9	MTJVM003500	56	1
GPK26026000	46	29	HX00150000D	26	27	MTSP0055000A	56	2
GPK26028000	46	31·33·34	HX00150000F	2	33	NM6030001SC	60	81
GPK620010A0	46	2	HX00150000G	66	61	NM6040001SC	48	27
GPK620010B0	44	56	HX00150000K	66	62	NM6040001SC	64	37
GPK620010B0	46	1	HX00150000R	44	51	NM6040003SC	46	31·33·34
GPK62002000	46	21	HX001890000	48	44	NM6050001SC	38	24
GPK620030B0	46	22	HX001890000	68	25	NM6050001SE	54	15
HA00001000B	60	71	HX00222000A	58	11	NM6050002SC	64	34
HA00001000C	60	70	HX00222000B	58	17	NM6050002SC	68	9
HA000010010	60	72	HX002230000	48	18	NM6050003SC	18	38
HA002470000	48	39	HX00223000A	50	13	NM6050003SC	22	25
HA00247001A	48	40	HX002350000	48	25	NM6060001SC	6	20
HA00247001B	48	41	HX00269000D	60	65	NM6060001SC	38	20
HA002890000	36	54	HX004070000	58	10	NM6060001SC	42	39
HE000150000	48	9	HX00408000A	58	14	NM6060001SC	60	87
HF001400700	58	45	HX004100000	58	36	NM6060001SC	64	21
HF00511000B	58	77	M1002519000	58	18	NM6080002SE	46	27·28
HF00511000B	60	77	M1004519000	60	82	NM6080721SE	44	74
HF005111000	58	76	M1020511000	58	39	NM6080721SE	46	16·17·38-
HF005111000	60	76	M300551100A	58	22·23			·39

NUMERICAL INDEX OF PARTS

PART NO	PAGE	REF NO.	PART NO	PAGE	REF NO.	PART NO	PAGE	REF NO.
NM6120003SE	42	13	PC010507000	40	16	PV130517000	68	21
NS6080210SP	10	6	PC010507000	50	27	PV135113000	50	10
NS6080340SP	12	63	PC010508000	64	6	PV150517000	50	15
NS6090310SP	26	44	PC010508000	68	13	PV150517000	68	22
NS6110310SP	4	74	PC012401000	50	47	PX050501000	68	34
NS6110310SP	18	13	PC0205010A0	68	32	PX055103000	50	12
NS6110310SP	26	38	PF025204000	50	3	PX060003000	48	37
NS6110420SP	30	70	PF065102000	50	5	PX060003000	50	24
NS6110420SP	32	70	PF905003000	50	4	PX060010000	48	38
NS6150310SP	22	7	PJ010505001	34	28	PX060010000	50	34
NS6150310SP	34	19	PJ010505001	50	21	PX500020000	12	73
NS6150430SP	48	5	PJ010505001	70	53	PX500020000	34	24
NS6150440SP	16	12	PJ020500002	50	19	PX500020000	50	42
NS6160520SP	10	30	PJ030050001	68	36	PX500043000	6	24
NS6200710SN	42	25	PJ042050002	12	83	PX500043000	38	26
NS6660430SP	10	20	PJ042050002	50	38	PX500043000	50	25
NS6680410SP	16	20	PJ042520002	50	7	PX5000480A0	34	26
NS6680480SP	16	24	PJ046052503	64	40	PX5000480A0	50	35
PA0401001A0	38	38	PJ301040505	50	20	RC1900001KP	22	3
PA0401001A0	50	30	PJ301040505	68	55	RC1900001KP	26	4
PA0601505A0	34	9	PJ301040505	70	55	RE0300000K0	64	38
PA0601505A0	50	26	PJ304040001	38	43	RE0320000K0	2	20
PA1000506A0	12	82	PJ304040001	50	29	RE0600000K0	18	34
PA1000506A0	50	39	PJ304040504	12	72	RE0600000K0	22	14
PA1000506A0	64	39	PJ304040504	34	11	SB104000300	64	36
PA100152300	36	65	PJ304040504	40	5	SB105001100	64	32
PA100152300	50	31	PJ304040504	50	22	SB108000500	18	36
PA1003012A0	12	78	PJ304040504	68	35	SB108000500	22	9
PA1003012A0	50	37	PJ304040507	6	25	SB110000500	26	15
PA1005501A0	40	15	PJ304040507	50	44	SB710000200	22	2
PA1005501A0	50	36	PJ304040507	70	48	SB710000200	26	3
PA1008003A0	40	4	PJ304065101	50	9	SD0402001TP	10	12
PA1008003A0	50	45	PJ304065201	50	8	SD0500356TP	64	33
PA1501009A0	12	70	PJ305040001	50	40	SD0550212TP	26	39
PA1501009A0	50	41	PJ308040002	50	46	SD0600271SP	2	38
PA1503007A0	38	22	PJ309040501	6	26	SD0600271SP	12	87
PA1503007A0	50	23	PJ309040501	34	29	SD0601021SP	4	68
PA1504001A0	6	17	PJ309040501	50	32	SD0640241SP	6	37
PA1504001A0	50	43	PS0200062KH	4	72	SD0700811TP	26	47
PA1601513A0	68	12	PS0200082KH	28	55	SD0790203SP	12	85
PA1603101A0	34	23	PS0200082KH	38	21	SD0790802SP	12	64
PA1603101A0	50	33	PS0200122K0	34	44	SD0791051SP	48	3
PA8000140B0	64	3	PS0300162KH	10	42	SD0791271SP	2	6
PC010507000	34	25	PV030514000	50	17	SD0791271SP	10	5
PC010507000	38	25	PV130517000	50	14	SD0791501SP	10	15

NUMERICAL INDEX OF PARTS

PART NO	PAGE	REF NO.	PART NO	PAGE	REF NO.	PART NO	PAGE	REF NO.
SD0800291TP	30	67	SM0030601SC	36	49	SM9051450SC	26	73
SD0800291TP	32	67	SM0040601SC	60	64	SM9051450SC	28	73
SK3311600SC	44	59	SM1850951SD	30	58	SM9051450SC	64	15
SK3412000SC	48	31	SM1850951SD	32	58	SM9061080SE	54	16
SK3452500SC	42	66	SM3065052TC	60	88	SM9061403SC	42	36
SK3452500SC	44	66	SM4040801SN	20	59	SM9061403SC	48	14
SK3513200SC	42	22	SM4041201SC	46	31·33·34	SM9062003SC	26	20
SK3513200SC	68	19	SM4041401SC	34	14	SM9062553SC	26	16
SK3514000SC	44	88	SM4043601SN	48	26	SM9081620SE	46	27·28
SK3552500SC	44	94	SM4051405SE	54	13	SM9082023SE	44	73
SL4030691SC	46	23	SM4051601SC	18	39	SM9082023SE	46	16·17·38-
SL4030691SC	58	55	SM4051601SC	28	61			·39
SL4030691SC	60	55	SM4052501SC	22	24	SS2060210SP	26	26
SL4030891SC	20	55	SM6030402TN	66	55	SS4110615SP	40	20
SL4030891SC	22	44	SM6040602TP	18	23	SS4110615SP	44	76
SL4030891SC	58	86	SM6040602TP	22	16	SS4110715SP	4	66
SL4030891SC	60	86	SM6040602TP	38	14	SS4110910TP	6	32
SL4031281SC	58	47	SM6040602TP	64	19	SS4110915SP	18	44
SL4031291SC	20	57	SM6040602TR	66	51	SS4110915SP	22	35
SL4031681SC	34	10	SM6040802TR	66	50	SS4111215SP	46	10
SL4031691SC	46	25	SM6040802TR	68	10	SS4120915SP	2	17
SL4040691SC	44	93	SM6041202TR	66	54	SS5120810SP	2	22
SL4040691SC	46	12	SM6041402TN	36	62	SS6050180SL	6	8
SL4040691SC	58	37	SM6041402TP	18	4	SS6080320SP	38	37
SL4040891SC	22	47	SM6050802TR	26	24	SS6080410SP	30	50
SL4040891SC	40	7	SM6051002TR	66	65	SS6080410SP	32	50
SL4040891SC	44	71	SM6051202TP	22	10	SS6080610TP	30	72
SL4040891SC	46	9	SM6051202TP	38	16	SS6080610TP	32	72
SL4040891SC	50	6	SM6051602TP	18	40	SS6080720SP	34	38
SL4040891SC	68	40	SM6051602TR	26	50	SS6090520SP	4	55
SL4041081SC	58	83	SM6051602TR	28	50	SS6090540SP	6	3
SL4041081SC	60	83	SM6051602TR	40	12	SS6090540SP	28	48
SL4041091SC	26	28	SM6061202TP	42	18	SS6090610SP	2	31
SL4041091SC	58	73	SM6061602TN	6	21	SS6090610SP	22	31
SL4041091SC	60	73	SM6085002TP	2	13	SS6090620SP	2	4
SL4041491SC	60	79	SM6086002TP	2	10	SS6090620SP	18	17
SL4041691SC	60	52	SM6850350TP	66	56	SS6090620SP	30	63
SL4042591SC	46	18~20	SM8040602TP	8	71	SS6090620SP	32	63
SL4043091SC	50	18	SM8040602TP	18	27	SS6090670TP	6	30
SL4043291SC	58	13	SM8040802TP	18	28	SS6091210TP	16	7
SL4051091SC	22	43	SM8050612TP	26	14	SS6110480SP	2	62
SL4051091SC	48	19	SM8050802TP	18	42	SS6110480SP	4	62
SL4051091SC	60	80	SM8050802TP	22	36	SS6110480SP	6	42
SL4051241SE	34	17	SM9040803SF	58	9	SS6110610TP	18	21
SL9082093SE	42	4	SM9050813SE	54	17	SS6110610TP	38	42

NUMERICAL INDEX OF PARTS

PART NO	PAGE	REF NO.	PART NO	PAGE	REF NO.	PART NO	PAGE	REF NO.
SS6110670TP	2	42	SS8110422TP	34	4	WP0501016SD	18	45
SS6111010SP	48	43	SS8110520TP	38	8	WP0501046SC	64	31
SS6111210SP	2	29	SS8111010TP	26	37	WP0520656SA	54	18
SS6120930TP	10	54	SS8150410TP	8	53	WP0531000SC	2	8
SS6120930TP	12	54	SS8151150SP	4	57	WP0531000SC	22	12
SS6120940SP	2	35	SS8151150SP	8	67	WP0531000SC	26	74
SS6120940SP	12	81	SS8151150SP	14	1	WP0531000SC	28	74
SS6121050SP	12	59	SS8151550SP	14	7	WP0531000SC	64	66
SS6121210SP	4	63	SS8151720SP	34	18	WP0531000SC	66	66
SS6121210SP	20	60	SS8660330SP	8	61	WP0560860SE	40	14
SS6121212TP	38	6	SS8660512TP	8	60	WP0560860SE	42	41
SS6121610TP	12	58	SS8660610TP	14	9	WP0561616SC	44	57
SS6151220SP	44	82	SS8660612TP	8	64	WP0561616SC	68	18
SS6151412TP	20	52	SS8660612TP	14	12	WP0611626SP	48	15
SS6151440SP	22	34	SS8660612TP	16	28	WP0612056SD	42	31
SS6151612TP	22	26	SS8660942TP	16	27	WP0621016SD	10	4
SS6151612TP	26	25	SS9110543CP	26	71	WP0641600SC	6	22
SS7080310TP	6	7	SS9110543CP	28	71	WP0641600SC	26	21
SS7080510TP	16	3	SS9150910SP	26	10	WP0641600SC	42	38
SS7090510SP	10	17	SS9151210TP	20	53	WP0651001SC	60	89
SS7090850SP	22	30	SS9151210TP	48	32	WP0740516SP	4	70
SS7090850SP	34	8	SS9151630CP	16	11	WP08416000E	48	6
SS7110710SL	44	83-85	SS9151740CP	34	22	WP0841600SE	40	8
SS7110830SP	6	11	SS9161610SP	2	43	WP0851846SC	42	27
SS7110840SP	2	40	SS9201813CP	22	33	WP0871602SE	44	72
SS7110840SP	6	44	TA0750404R0	60	56	WP0871602SE	46	16-17-38-39
SS7110910TP	18	12	WP0371016SD	12	62	WP1302501SE	42	9
SS7110910TP	22	23	WP0371016SD	30	62	WP1612616SE	54	12
SS7111410SP	6	4	WP0371016SD	32	62	WS0410002KN	36	64
SS7111410SP	44	84	WP0371016SD	34	6	WS0410002KN	48	28
SS7111410TP	6	39	WP0430800SC	34	63	WS0410002KP	34	7
SS7111410TP	12	68	WP0430800SC	36	63	WS0451040KP	12	69
SS7111810SP	6	34	WP0430800SC	40	10	WS0451040KP	30	69
SS7111810TP	6	10	WP0430801SC	44	60	WS0451040KP	32	69
SS7111810TP	22	22	WP0430801SC	46	24	WS0510002KN	6	18
SS7112420SP	6	40	WP0430801SC	66	52	WS0510002KN	28	62
SS7120640SP	38	11	WP0430801SC	68	11	WS0510002KN	40	13
SS7151210SP	10	45	WP0450801SD	4	67	WS0510002KN	54	19
SS7151340TP	4	53	WP0450801SD	26	72	WS0510002KN	64	17
SS8080310TP	34	27	WP0450801SD	28	72	WS0521010KN	54	20
SS8080410TP	34	40	WP0450801SD	30	68	WS0610002KN	6	23
SS8090710SP	28	56	WP0450801SD	32	68	WS0610002KN	26	22
SS8090710SP	34	45	WP0480856SP	12	57	WS0610002KN	42	37
SS8110410TP	8	55	WP0480856SP	44	83-85	WS0610002KN	60	90
SS8110422TP	26	9	WP0501016SD	12	55			

NUMERICAL INDEX OF PARTS

PART NO	PAGE	REF NO.
WS0610002KN	64	22
WS0650389KP	2	37
WS0820002KN	42	26
WS0861410KR	44	75
WS0861410KR	46	16·17·38- ·39
WS1002560KR	56	3
WS1220002KR	42	20
WZ0850302K0	48	7