

MODEL : AMB-189N

List No : 1205-00

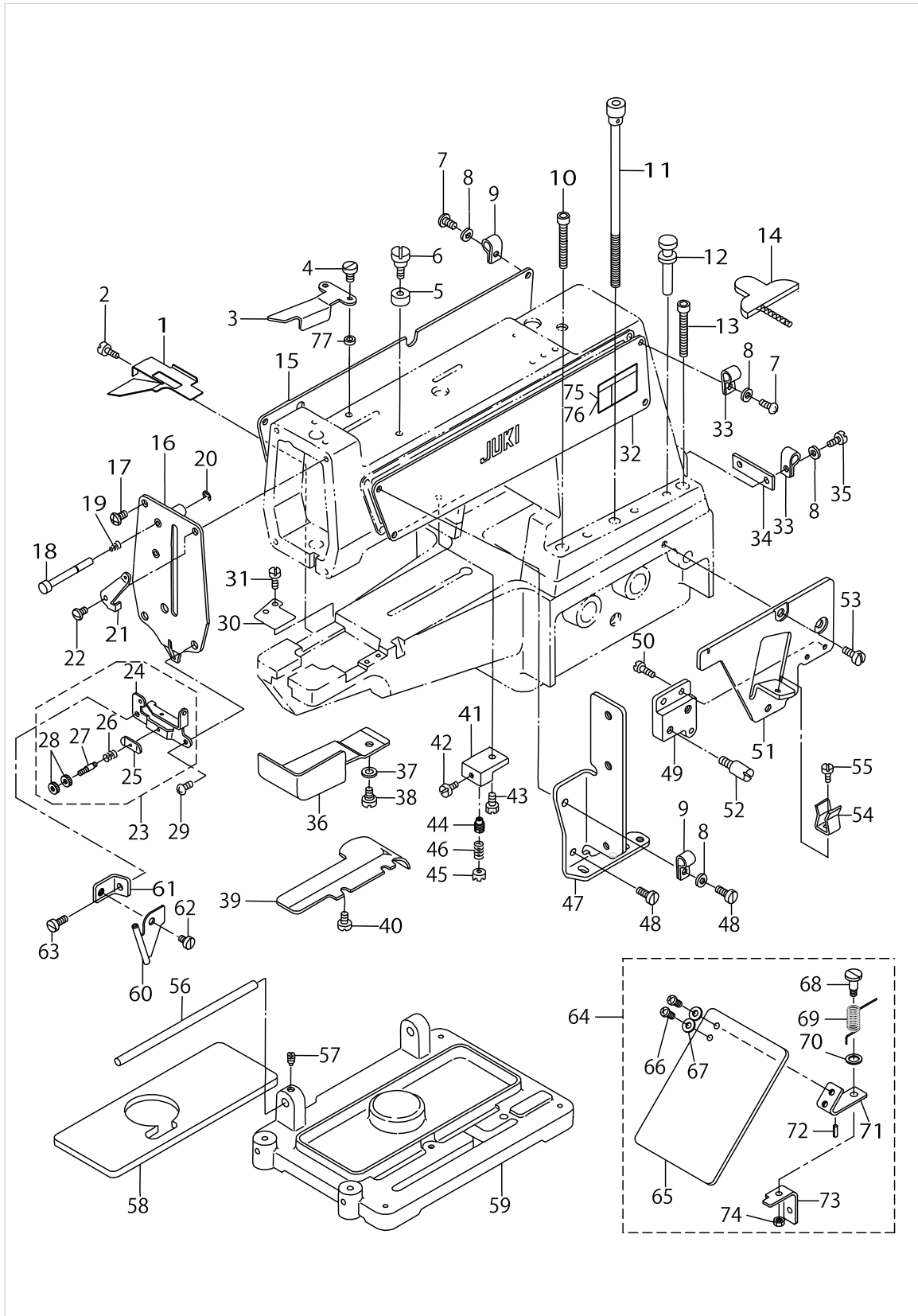
PARTS LIST

Published:09/10/2017

CONTENTS

ARM BED COMPONENTS	1
LOOPER SHAFT MECHANISM COMPONENTS	5
NIPPER & THREAD TENSION PARTS COMPONENTS	9
NEEDLE DRIVING PULLEY SHAFT COMPONENTS	13
NEEDLE BAR DRIVING MECHANISM COMPONENTS	15
X-Y STEPPING MOTOR COMPONENTS (X SHAFT)	17
X-Y STEPPING MOTOR COMPONENTS (Y SHAFT)	21
X-Y FRAME COMPONENTS	25
CHUCK COMPONENTS.....	29
CHUCK TURN OVER COMPONENTS	33
TANG COMPONENTS.....	37
WIPER & PRESSER COMPONENTS	39
STAND & TABLE COMPONENTS.....	41
2-JOINT PEDAL COMPONENTS.....	45
MISCELLANEOUS COVER & CORD COMPONENTS.....	47
PNEUMATIC COMPONENTS	51
THREAD STAND COMPONENTS.....	55
MOTOR PULLEY COMPONENTS	57
CONTROL BOX COMPONENTS	59
OPERATION BOX COMPONENTS	63
OPTION COMPONENTS	65
BUTTON LODER COMPONENTS (1)	67
BUTTON LODER COMPONENTS (2)	71
HOW TO MAKE USE OF THIS PARTS LIST	75

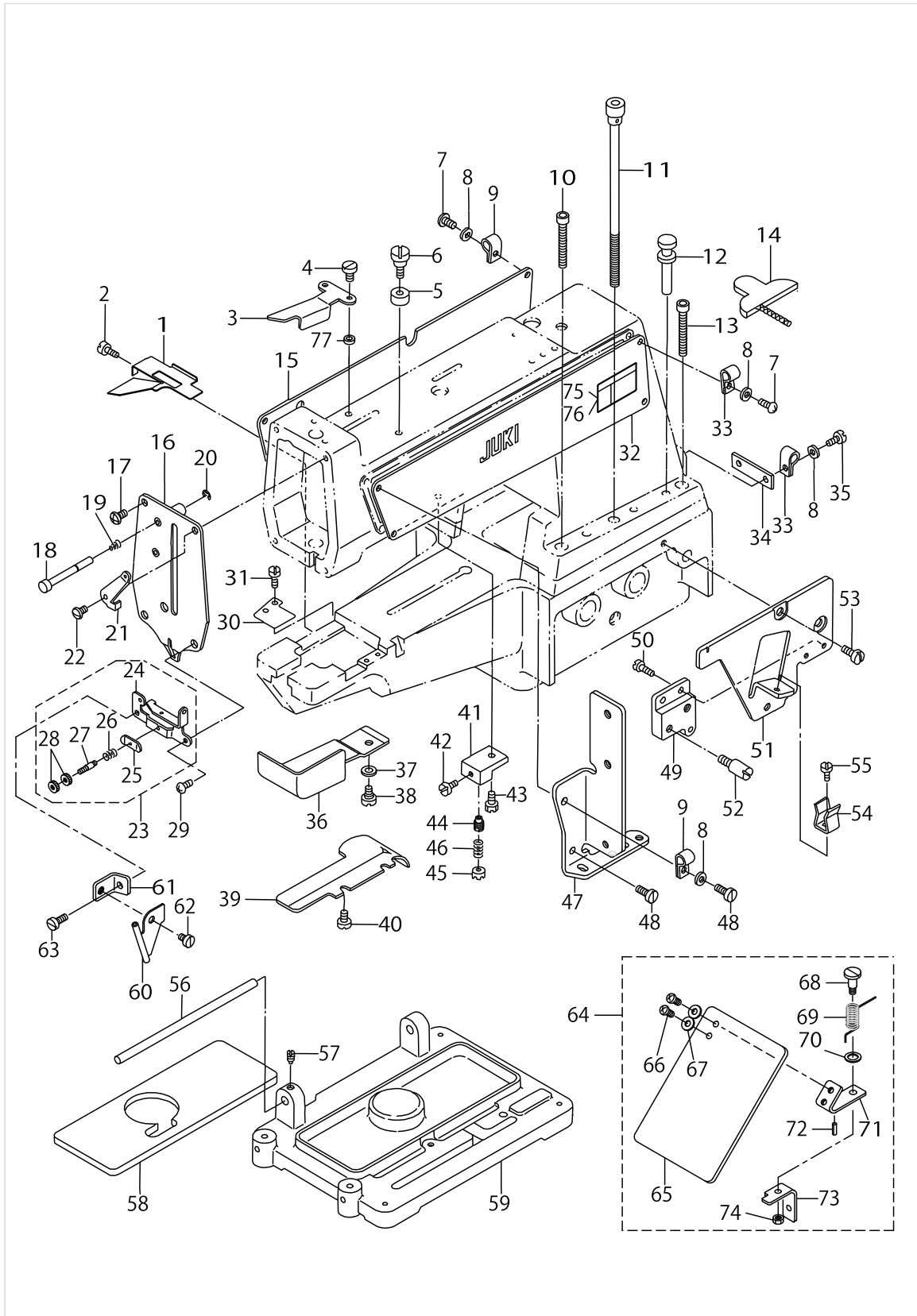
ARM BED COMPONENTS



ARM BED COMPONENTS

No.	Parts No.	Parts name	Remarks	Level	Cons	Qty
1	25003500	BUTTON COVER				1
2	SS6110480SP	SCREW 11/64-40 L=4.3				1
3	17801309	COVER A				1
4	SS6090620SP	SCREW 9/64-40 L=6				2
5	17801804	STOPPER				1
6	SD0791271SP	HINGE SCREW D= 7.94 H=12.7				1
7	SS4120915SP	SCREW 3/16-28 L=9				6
8	WP0531000SC	WASHER 5.3X10X1				5
9	HX00150000D	CABLE CLIP				2
10	SM6086002TP	SCREW				2
11	25000456	SET SCREW ASM.				1
12	25000308	GUID PIN				2
13	SM6085002TP	SCREW				2
14	17803057	OIL DRIP FELT, SMALL				1
15	17811068	SIDE COVER (LEFT) ASM.				1
16	17962358	FACE PLATE ASM.				1
17	SS4120915SP	SCREW 3/16-28 L=9				1
18	B3127372000	NIPPER RELEASING STUD				1
19	B3149123A00	TENSION SPRING				1
20	RE0320000K0	E-RING 3.2				1
21	17802307	THREAD GUIDE				1
22	SS5120810SP	SCREW				1
23	25002957	THREAD TENSION N0.3 ASM.				1
24	17802216	TENSION ADJUSTING BASE NO.3		*		1
25	B1131521000	THREAD PRESSER PLATE		*		1
26	B1136850000	TENSION SPRING B		*		1
27	25002809	THREAD TENSION STUD		*		1
28	25002908	THREAD TENSION NUT		*		2
29	SS6111210SP	SCREW 11/64-40 L=12				1
30	17962408	RECEIVING PLATE				1
31	SS6090610SP	SCREW 9/64-40 L= 5.5				2
32	17810912	SIDE COVER, RIGHT				1
33	HX00150000F	CABLE CLIP				3
34	17801408	COVER B				1
35	SS6120940SP	SCREW 3/16-28 L=9				2
36	17961905	LOOPER COVER				1
37	WS0650389KP	SPRING WASHER 6.5X14.0X17				1
38	SD0600271SP	HINGE SCREW D= 6 H= 2.7				1
39	B1119373000	BED OIL SHIELD				1
40	SS7110840SP	SCREW 11/64-40 L=7.8				2
41	17812207	SLIDER TRAY				1
42	SS6110670TP	SCREW 11/64-40 L=6.5				1
43	SS9161610SP	SCREW 1/4-24 L=16				1
44	25003203	SLIDER RECEIVER				1
45	B2574220000	SLIDER				1
46	B2576220000	SLIDER SPRING				1
47	17966714	MERKER INSTALLING PLATE				1

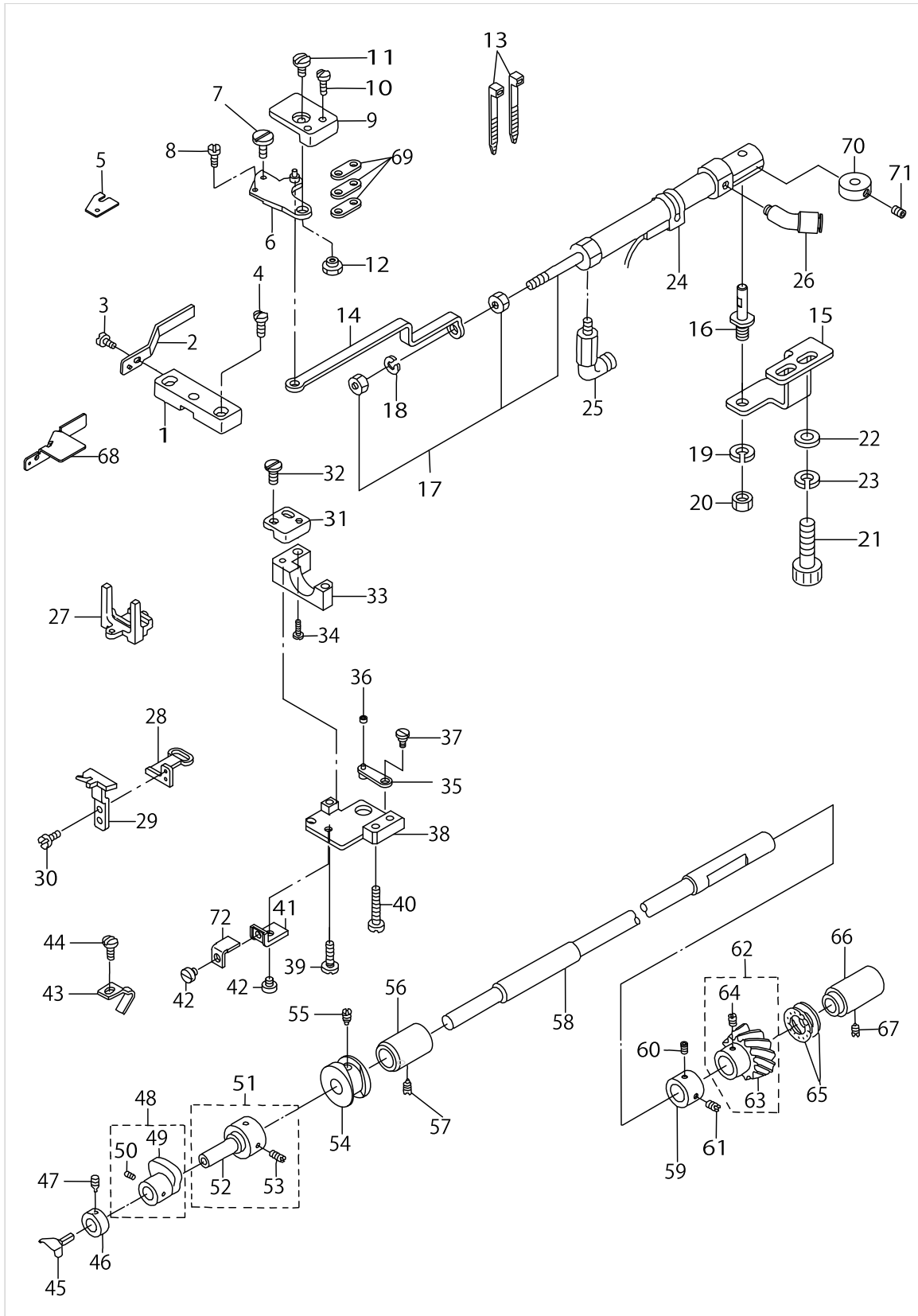
ARM BED COMPONENTS



ARM BED COMPONENTS

No.	Parts No.	Parts name	Remarks	Level	Cons	Qty
48	SS6121210SP	SCREW 3/16-28 L=12				2
49	17962200	COVER INSTALLING PLATE, B				1
50	SS6090520SP	SCREW 9/64-40 L= 5.0				2
51	17962101	COVER INSTALLING PLATE, A				1
52	B1120372000	SCREW STUD				1
53	SS7151340TP	SCREW 15/64-28 L=12.5				2
54	B1111372000	SIDE COVER SPRING				1
55	SS6090520SP	SCREW 9/64-40 L= 5.0				1
56	B1110372000	SIDE COVER HINGE SHAFT				1
57	SS8151150SP	SCREW 15/64-28 L=10.5				1
58	B1104372A00	OIL DRIP FELT (A) 5MM				1
59	17812405	BED INSTALLING BASE				1
60	25003906	AIR NOZZLE				1
61	25003807	AIR NOZZLE BASE				1
62	SS6110480SP	SCREW 11/64-40 L=4.3				1
63	SS6121210SP	SCREW 3/16-28 L=12				1
64	25003757	SAFETY PLATE ASM.				1
65	17811803	SAFETY PLATE		*		1
66	SS4110715SP	SCREW 11/64-40 L=7		*		2
67	WP0450801SD	WASHER 4.5X10X0.8		*		2
68	SD0601021SP	HINGE SCREW D=6 H=10.2		*		1
69	13943204	SAFETY PLATE RETURN SPRING		*		1
70	WP0740516SP	WASHER 7.4X11.8X0.5		*		1
71	17811902	INSTALLING PLATE		*		1
72	PS0200062KH	SPRING PIN 2X6		*		1
73	B3115372000	SAFETY PLATE INSTALLING BASE		*		1
74	NS6110310SP	NUT 11/64-40		*		1
75	CM300200101	SAFETY LABEL, 1(SMALL).	FOR DOMESTIC USE			1
76	CM3002001A1	SAFETY LABEL.,3 (SMALL).	FOR EXPORT			1
77	17802505	COLLAR A				1

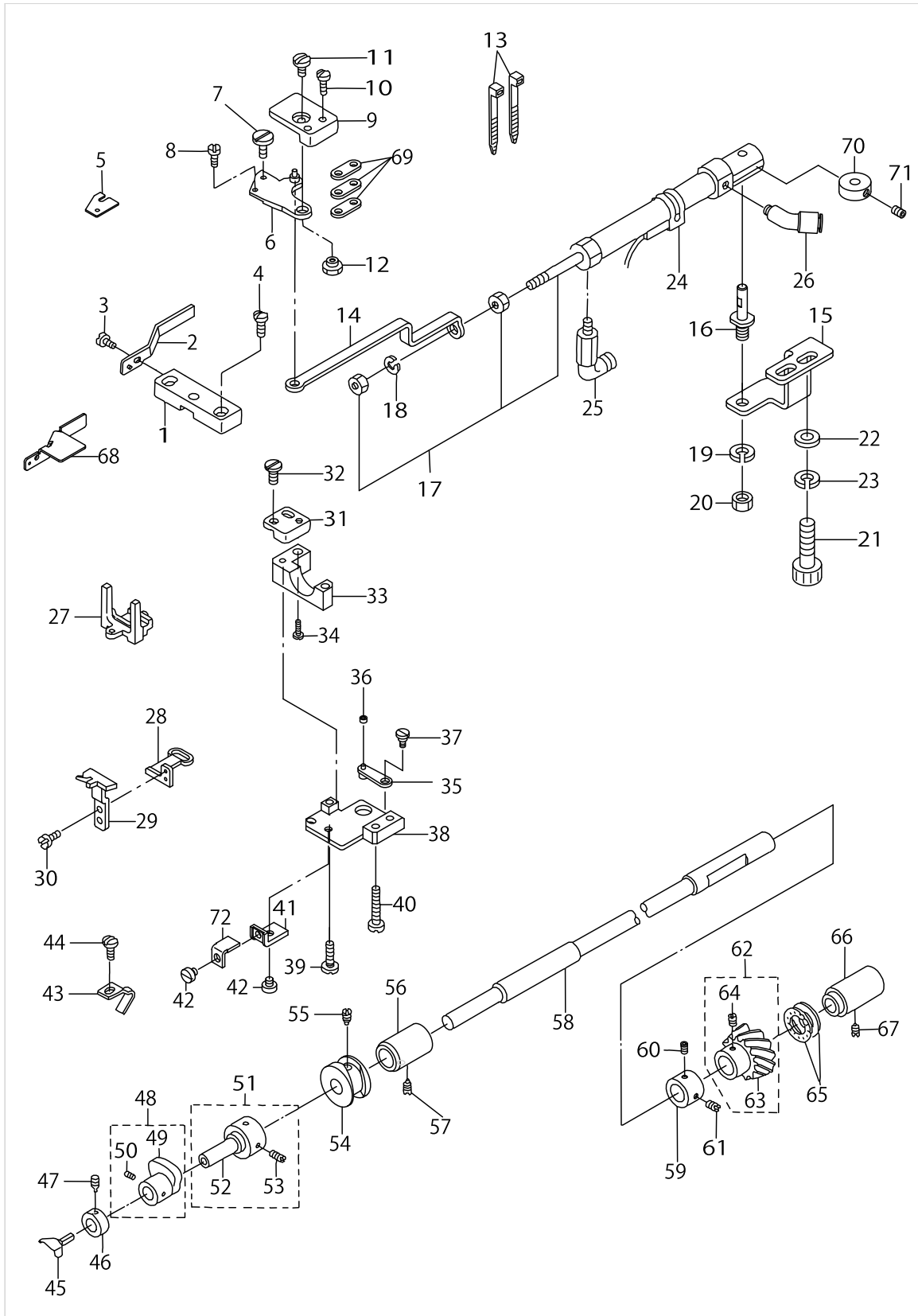
LOOPER SHAFT MECHANISM COMPONENTS



LOOPER SHAFT MECHANISM COMPONENTS

No.	Parts No.	Parts name	Remarks	Level	Cons	Qty
1	25003609	THROAT PLATE				1
2	17961400	KNIFE COVER				1
3	SS6090540SP	SCREW 9/64-40 L= 5.0				1
4	SS7111410SP	SCREW 11/64-40 L=14				2
5	17962507	MOVING KNIFE				1
6	25003062	MOVING KNIFE HOLDER PLATE ASM.				1
7	SS7080310TP	SCREW 1/8-44 L=3.2				1
8	SS6050180SL	SCREW 5/64-64 L=1.2				1
9	17962903	MOVING KNIFE INSTALLING PLATE				1
10	SS7111810TP	SCREW 11/64-40 L=18				2
11	SS7110830SP	SCREW 11/64-40 L= 7.5				1
12	17962804	NUT				1
13	EA9500B0200	CABLE BAND 150				2
14	17963018	THREAD CUTTER CONNECTING PLATE				1
15	17807900	CYLINDER INSTALLING PLATE B				1
16	17805607	CYLINDER SHAFT				1
17	PA1504001A0	CYLINDER				1
18	WS0510002KN	SPRING WASHER				1
19	WS0610002KN	SPRING WASHER 6.1X12.2X1.5				1
20	NM6060001SC	NUT M6				1
21	SM6061602TN	SCREW M6 L=16				2
22	WP0641600SC	WASHEW 6.4X12.5X1.6				2
23	WS0610002KN	SPRING WASHER 6.1X12.2X1.5				2
24	PX500043000	BAND				1
25	PJ304040507	LONG ELBOW UNION				1
26	PJ309040501	ELBOW UNION				1
27	25001108	YORK SLIDE SUPPORT				1
28	25001009	INSTALLING PLATE				1
29	25000704	YORK SLIDE				1
30	SS6090670TP	SCREW 9/64-40 L=6				2
31	25000605	SUPPORT BASE PLATE				1
32	SS4110910TP	SCREW 11/64-40 L=9				2
33	25000902	SUPPORT BASE				1
34	SS7111810SP	SCREW 11/64-40 L=18				1
35	25001355	FRONT-AND-REAR ASM.				1
36	B1232372000	LOOP POSITIONING FINGER LEVER				1
37	SD0640241SP	HINGE SCREW D= 6.35 H= 2.4				1
38	25000803	RECIVING PLATE				1
39	SS7111410TP	SCREW 11/64-40 L=14				1
40	SS7112420SP	SCREW 11/64-40 L=24				1
41	25002502	YORK SLIDE GUIDE A				1
42	SS6110480SP	SCREW 11/64-40 L=4.3				2
43	17961202	THROAT GUIDE				1
44	SS7110840SP	SCREW 11/64-40 L=7.8				1
45	B1239372000	LOOPER				1
46	CS0790741TH	THRUST COLLAR				1
47	17804006	SCREW				1

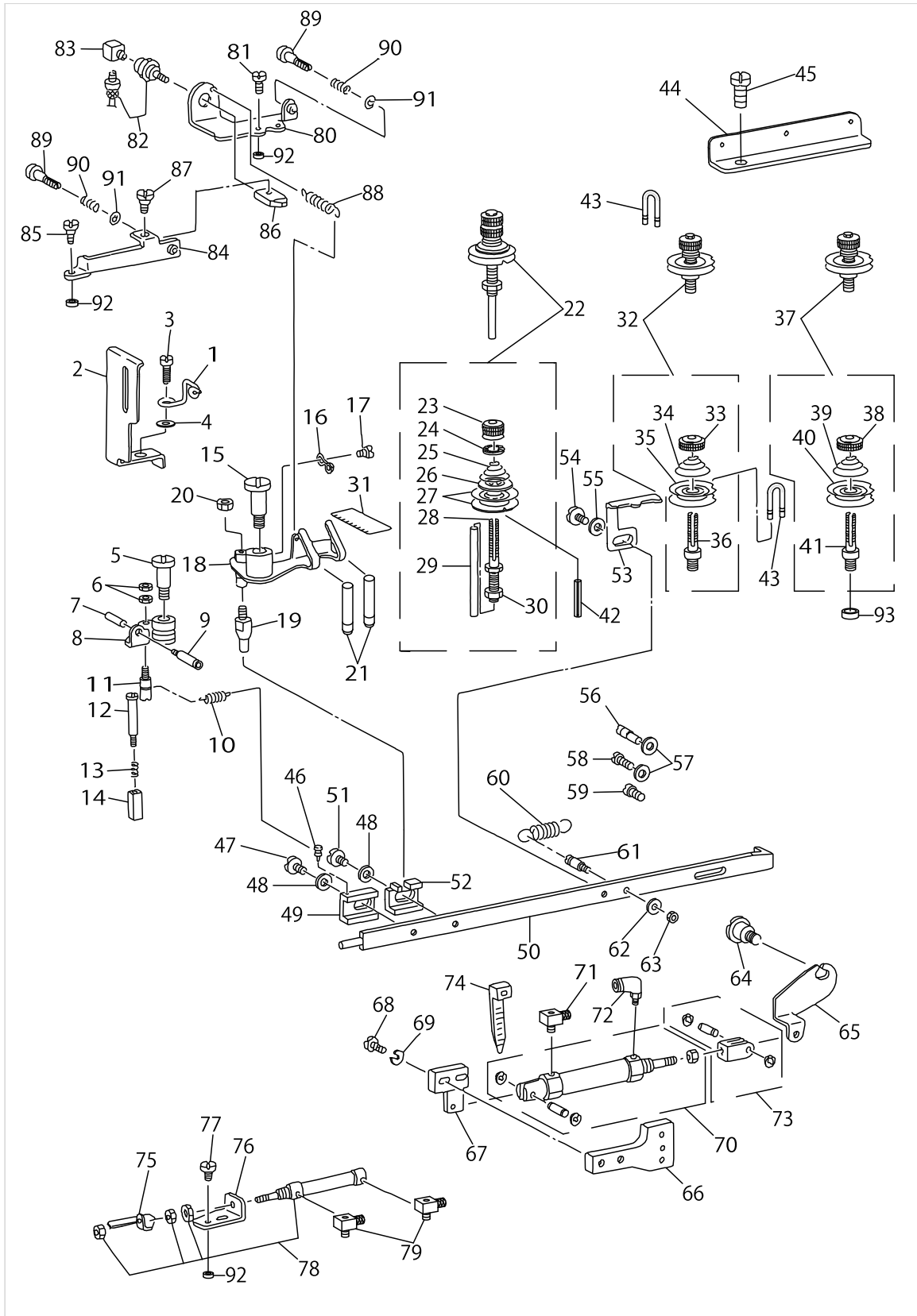
LOOPER SHAFT MECHANISM COMPONENTS



LOOPER SHAFT MECHANISM COMPONENTS

No.	Parts No.	Parts name	Remarks	Level	Cons	Qty
48	17805359	CAM ASM.				1
49	17805300	CAM		*		1
50	SS8110410TP	SCREW 11/64-40 L= 3.5		*		2
51	17804253	LOOPER SHAFT ASM.				1
52	17804204	LOOPER SHAFT		*		1
53	SS8150410TP	SCREW 15/64-28 L= 4.0		*		2
54	25001405	YORK SLIDE CAM				1
55	SS8110410TP	SCREW 11/64-40 L= 3.5				1
56	B1227372000A	LOOPER SHAFT BUSHING, FRONT				1
57	SS8151150SP	SCREW 15/64-28 L=10.5				1
58	17803909	LOOPER SHAFT				1
59	CS1111019SH	THRUST COLLAR D=11.11 W=10				1
60	SS8660512TP	SCREW 1/4-40 L=5				1
61	SS8660330SP	SCREW 1/4-40 L= 3.0				1
62	B12243720A0	LOOPER SHAFT DRIVEN GEAR ASM.				1
63	B1224372000	LOOPER SHAFT DRIVEN GEAR (B)		*		1
64	SS8660612TP	SCREW 1/4-40 L=6		*		2
65	B1215372A00	THRUST BALL BEARING				1
66	B1222372000	LOOPER SHAFT BUSHING, REAR				1
67	SS8151150SP	SCREW 15/64-28 L=10.5				1
68	25009101	KNIFE COVER				1
69	25003104	MOVING KNIFE SPACER				3
70	16658700	COLLAR B				1
71	SM8040602TP	SCREW M4X0.7 L=6				1
72	25002601	YORK SLIDE GUIDE B				1

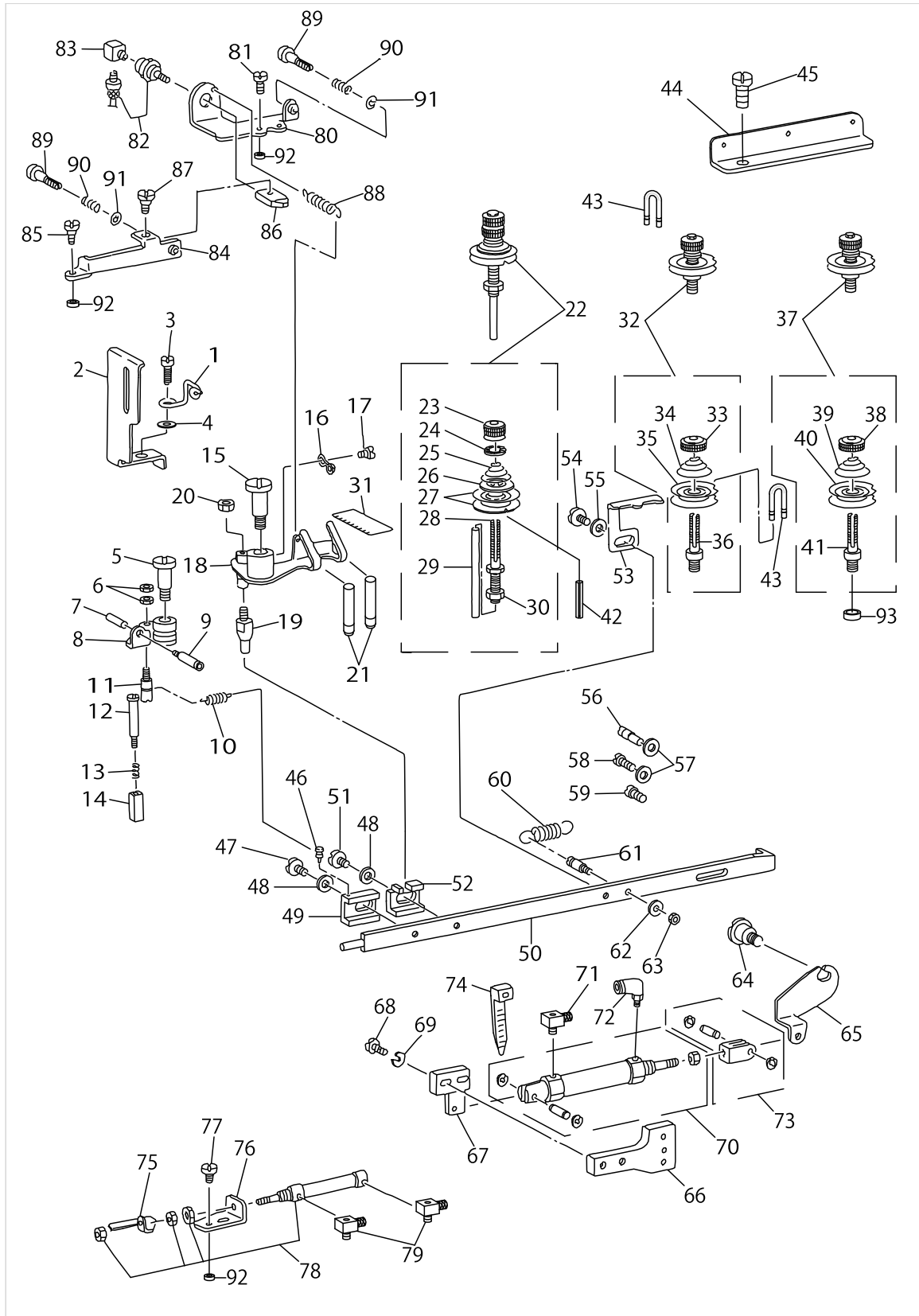
NIPPER & THREAD TENSION PARTS COMPONENTS



NIPPER & THREAD TENSION PARTS COMPONENTS

No.	Parts No.	Parts name	Remarks	Level	Cons	Qty
1	B2038372000	THREAD GUIDE NO. 2				1
2	B1421372000	NEEDLE BAR GUARD				1
3	SS7151210SP	SCREW 15/64-28 L=12				1
4	WP0621016SD	WASHER 6.2X13X1				1
5	SD0791271SP	HINGE SCREW D= 7.94 H=12.7				1
6	NS6080210SP	NUT 1/8-44				2
7	B2035372000	NUT				1
8	B20313720A0	THREAD NIPPER ASM.				1
9	B2034372000	THREAD RELEASING SCREW STUD				1
10	B2037372000	NIPPER BAR BLOCK SPRING				1
11	B2036372000	NIPPER BAR BLOCK SPRING SCREW				1
12	SD0402001TP	SCREW D=4 H=20				1
13	B2029372000	NIPPER BLOCK SPRING				1
14	B2028372000	NIPPER BLOCK				1
15	SD0791501SP	HINGE SCREW D= 7.94 H=15.0				1
16	B2040373000	THREAD GUIDE				1
17	SS7090510SP	SCREW 9/64-40 L= 4.6				1
18	17808452	THREAD TENSION LEVER				1
19	B2026372000	THREAD ADJUSTING LEVER PIN				1
20	NS6660430SP	NUT 1/4-40				1
21	B2024372000A	THREAD GUIDE PIN				2
22	B20193720AA	TESION POST ASM., NO.2				1
23	B3116125000	THREAD TENSION NUT		*		1
24	B3120125000	ROTATING STOPPER		*		1
25	B2021372000	THREAD TENSION SPRING NO.2		*		1
26	B3132012000	TENSION DISC HOLDER		*		1
27	B2016372000	TENSION DISC		*		2
28	B2019372000	TENSION POST NO.2		*		1
29	B2020372000	TENSION RELEASE PIN		*		1
30	NS6160520SP	NUT 1/4-24		*		1
31	17800707	SEAL				1
32	B20153720A0	THREAD TENSION ASM. (NO.1)				1
33	B2314019000	TENSION POST NUT		*		1
34	B2017372000	TENSION SPRING NO.1		*		1
35	B2016372000	TENSION DISC		*		2
36	B2015372000	THREAD TENSION STAFF NO. 1		*		1
37	17810052	POST PIN NO.1 ASM.				1
38	B2314019000	TENSION POST NUT		*		1
39	D3129555D00	THREAD TENSION SPRING		*		1
40	B2016372000	TENSION DISC		*		2
41	B2015372000	THREAD TENSION STAFF NO. 1		*		1
42	PS0300162KH	SPRING PIN 3X16				1
43	B2014372000A	THREAD GUIDE				2
44	17961707	THREAD GUIDE NO.1				1
45	SS7151210SP	SCREW 15/64-28 L=12				1
46	B2012372000	NIPPER BAR BLOCK SPRING PIN				1
47	SS6120930TP	SCREW 3/16-28 L=9				1

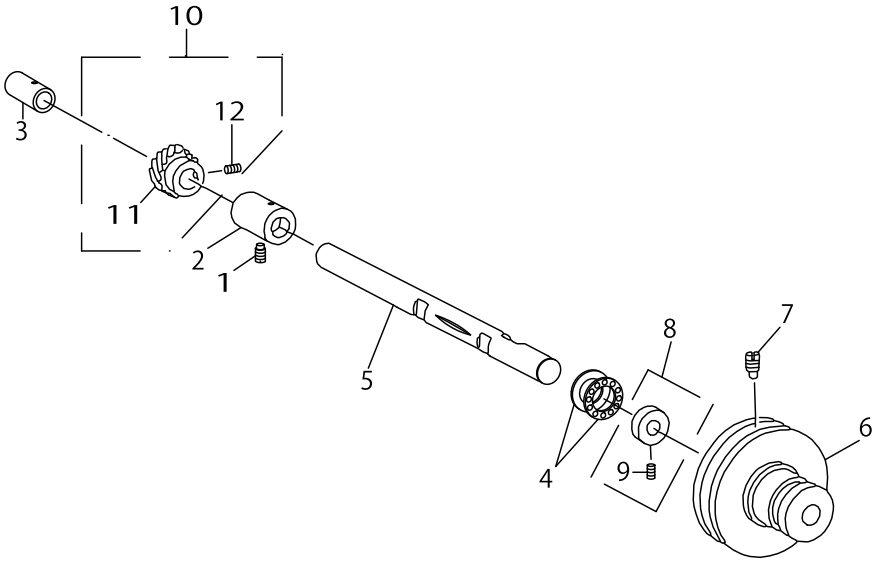
NIPPER & THREAD TENSION PARTS COMPONENTS



NIPPER & THREAD TENSION PARTS COMPONENTS

No.	Parts No.	Parts name	Remarks	Level	Cons	Qty
48	WP0501016SD	WASHER 5X10.5X1				2
49	B2011372000	NIPPER BAR BLOCK				1
50	B2004372000	NIPPER BAR				1
51	SS6120930TP	SCREW 3/16-28 L=9				1
52	17809203	NIPPER BAR BLOCK REAR				1
53	17808106	RELEASE PLATE				1
54	SS6120930TP	SCREW 3/16-28 L=9				1
55	WP0501016SD	WASHER 5X10.5X1				1
56	B2006372000	ADJUSTING SCREW				1
57	WP0480856SP	WASHER 4.8X8.4X0.8				2
58	SS6121610TP	SCREW 3/16-28 L=15.5				1
59	SS6121050SP	SCREW 3/16-28 L= 9.5				1
60	B2008372000	THREAD TENSION SPRING				1
61	B2007372000	NIPPER BAR SPRING SCREW				1
62	WP0371016SD	WASHER 3.7X8X1				1
63	NS6080340SP	NUT 1/8-44				1
64	SD0790802SP	HINGE SCREW D= 7.94 H= 8.0				1
65	17808056	THREAD TENSION PLATE ASM.				1
66	17808205	TENSION GUIDE BASE A				1
67	17808304	TENSION GUIDE BASE B				1
68	SS7111410TP	SCREW 11/64-40 L=14				2
69	WS0451040KP	SPRING WASHER 4.5X8.5X1				2
70	PA1501009A0	CYLINDER				1
71	PJ042050002	ELBOW				1
72	PJ304040504	ELBOW UNION				1
73	PX500020000	KNUCKLE JOINT				1
74	EA9500B0100	CABLE BAND				1
75	17807702	PLATE				1
76	17807801	CYLINDER INSTALLING PLATE A				1
77	SS6120940SP	SCREW 3/16-28 L=9				2
78	PA1003012A0	CYLINDER				1
79	PJ042050002	ELBOW				2
80	17808551	THREAD ADJUSTING BASE ASM.				1
81	SS6120940SP	SCREW 3/16-28 L=9				2
82	PA1000506A0	CYLINDER				1
83	PJ042050002	ELBOW				1
84	17808759	THREAD ADJUSTING LINK ASM.				1
85	SD0790203SP	HINGE SCREW D=7.94 H=2				1
86	17808809	JOINT				1
87	SD0600271SP	HINGE SCREW D= 6 H= 2.7				1
88	17808908	SPRING				1
89	17809005	KNOB				2
90	17809104	SPRING				2
91	B3120125000	ROTATING STOPPER				2
92	17802505	COLLAR A				5
93	17802604	COLLAR B				1

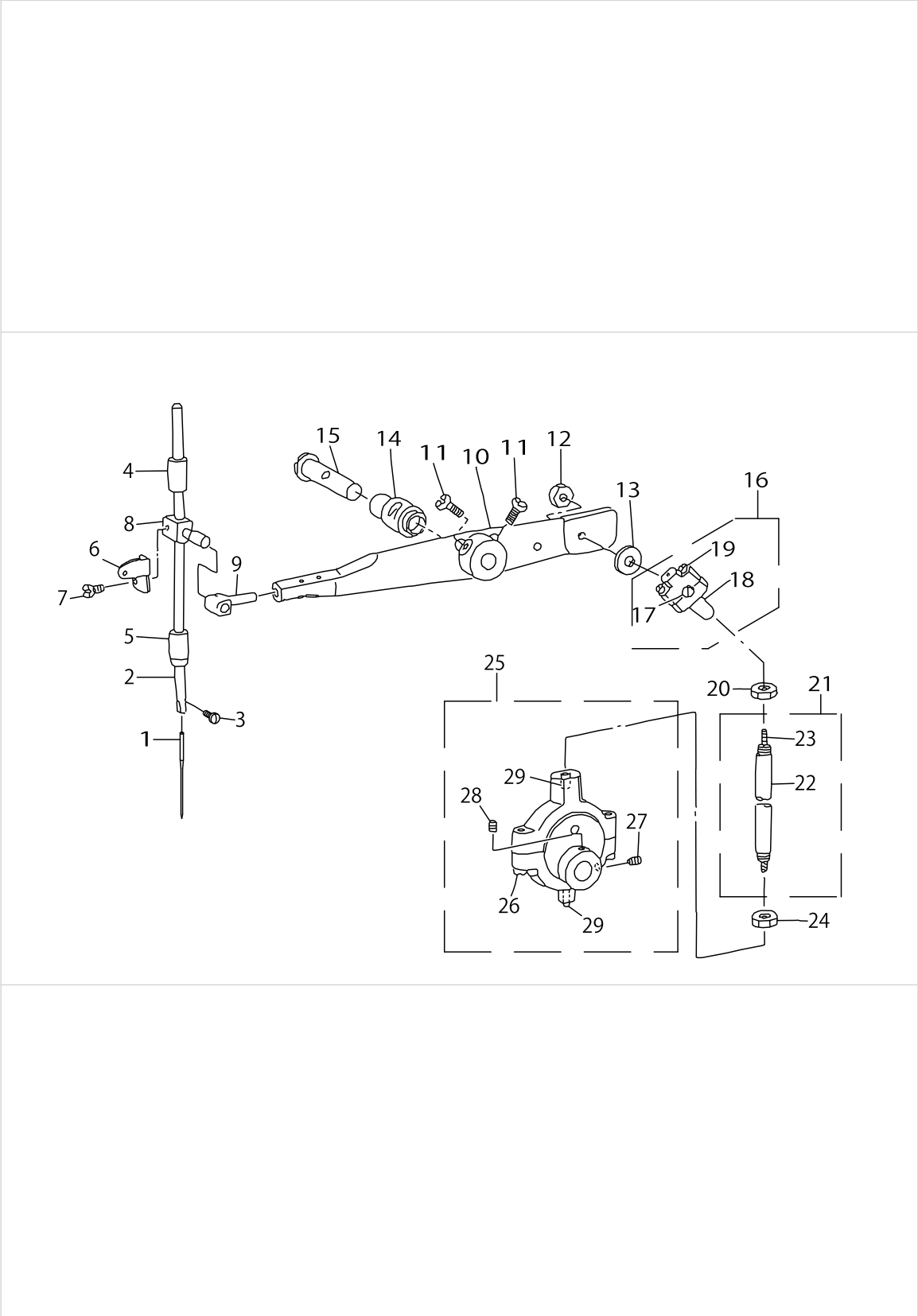
NEEDLE DRIVING PULLEY SHAFT COMPONENTS



NEEDLE DRIVING PULLEY SHAFT COMPONENTS

No.	Parts No.	Parts name	Remarks	Level	Cons	Qty
1	SS8151150SP	SCREW 15/64-28 L=10.5				1
2	B1216372000	PULLEY SHAFT BUSHING, RIGHT				1
3	B1223372000	PULLEY SHAFT BUSING, LEFT				1
4	B1215372B00	THRUST BALL BEARING				1
5	17804303	DRIVE SHAFT				1
6	17804402	HAND WHEEL				1
7	SS8151550SP	SCREW 15/64-28 L=15				2
8	CS127101ASH	THRUST COLLAR ASM. D=12.7 W=10				1
9	SS8660610TP	SCREW 1/4-40 L=6		*		2
10	B12173720A0	DRIVING GEAR ASM.				1
11	B1217372000	DRIVING GEAR (A)		*		1
12	SS8660612TP	SCREW 1/4-40 L=6		*		2

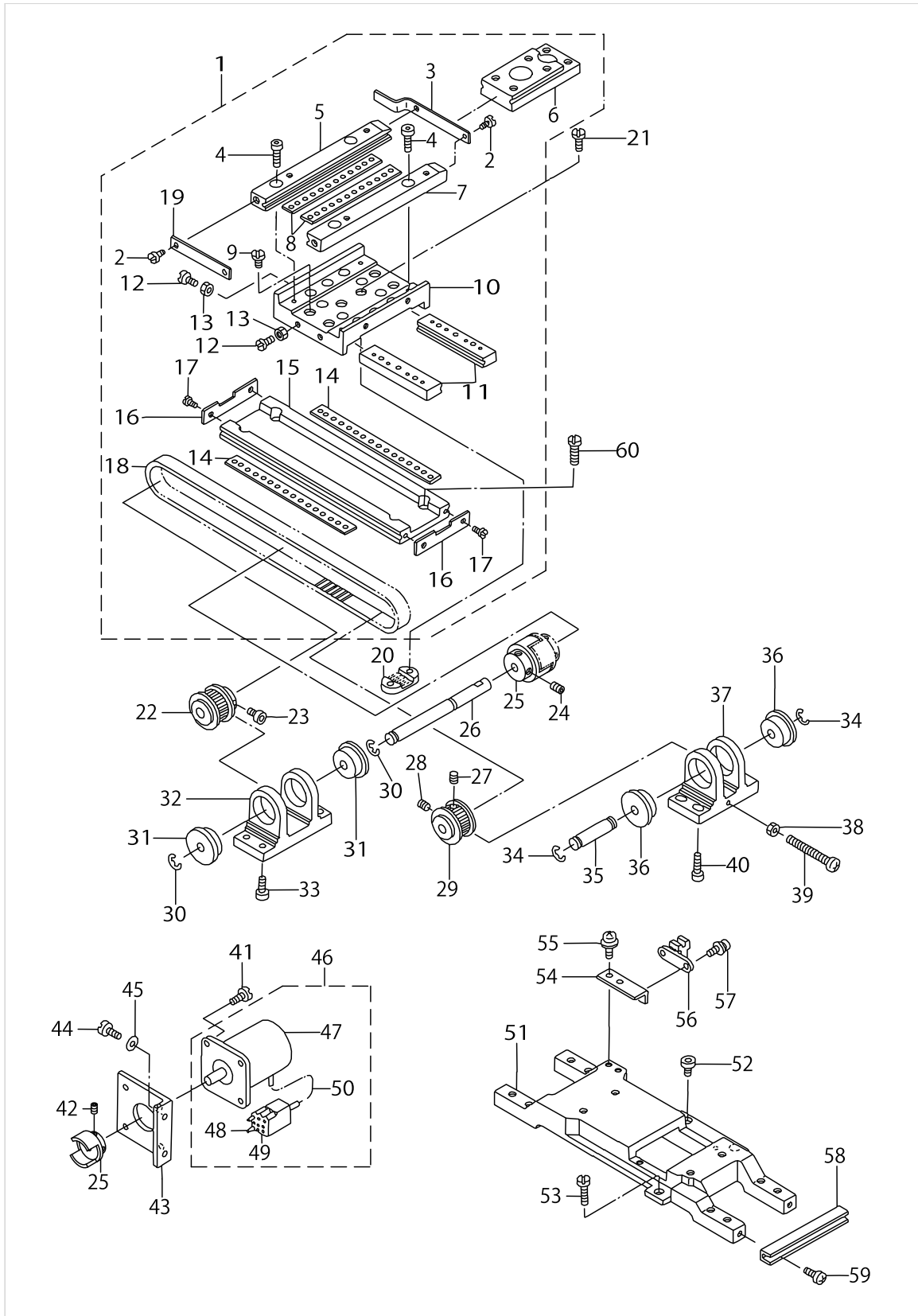
NEEDLE BAR DRIVING MECHANISM COMPONENTS



NEEDLE BAR DRIVING MECHANISM COMPONENTS

No.	Parts No.	Parts name	Remarks	Level	Cons	Qty
1	MCSM3320900	NEEDLE SMX332EXT.LG NM90				1
2	25002007	NEEDLE BAR				1
3	SS7080510TP	SCREW 1/8-44 L=4.5				1
4	B1402372000	NEEDLE BAR BUSHING, UPPER				1
5	17803107	BUSHING				1
6	17803206	THREAD TAKE-UP LEVER				1
7	SS6091210TP	SCREW 9/64-40 L=12				1
8	17806605	NEEDLE BAR SUPPORT				1
9	17806506	SLIDE BLOCK A	SELECTIVE PART			1
10	25001900	NEEDLE BAR LEVER				1
11	SS9151630CP	SCREW 15/64-28 L=15.5				2
12	NS6150440SP	NUT 15/64-28				1
13	B1411372A00	WASHER	SELECTIVE PART			1
14	B1407372000	BUSHING				1
15	B1408372000	LIFTING LEVER SHAFT				1
16	17806951	BALL JOINT UPPER ASM. SMALL				1
17	B1410372000	JOINT PIN		*		1
18	B1412372000	CRANK CONNECTING ROD,SMALL		*		1
19	17806902	SCREW SMALL		*		2
20	NS6680410SP	NUT 9/32-28				1
21	25001751	CRANK BAR ASM.				1
22	25001702	CRANK BAR		*		1
23	CQ200000000	OIL WICK		*		0.3
24	NS6680480SP	NUT 9/32-28				1
25	B14163720A0	BALL JOINT ECCENTRIC ASM.				1
26	B1418372000	CLAMP SCREW LOWER		*		2
27	SS8660942TP	SCREW 1/4-40 L= 8.5		*		1
28	SS8660612TP	SCREW 1/4-40 L=6		*		1
29	B1419372000	OIL WICK		*		2

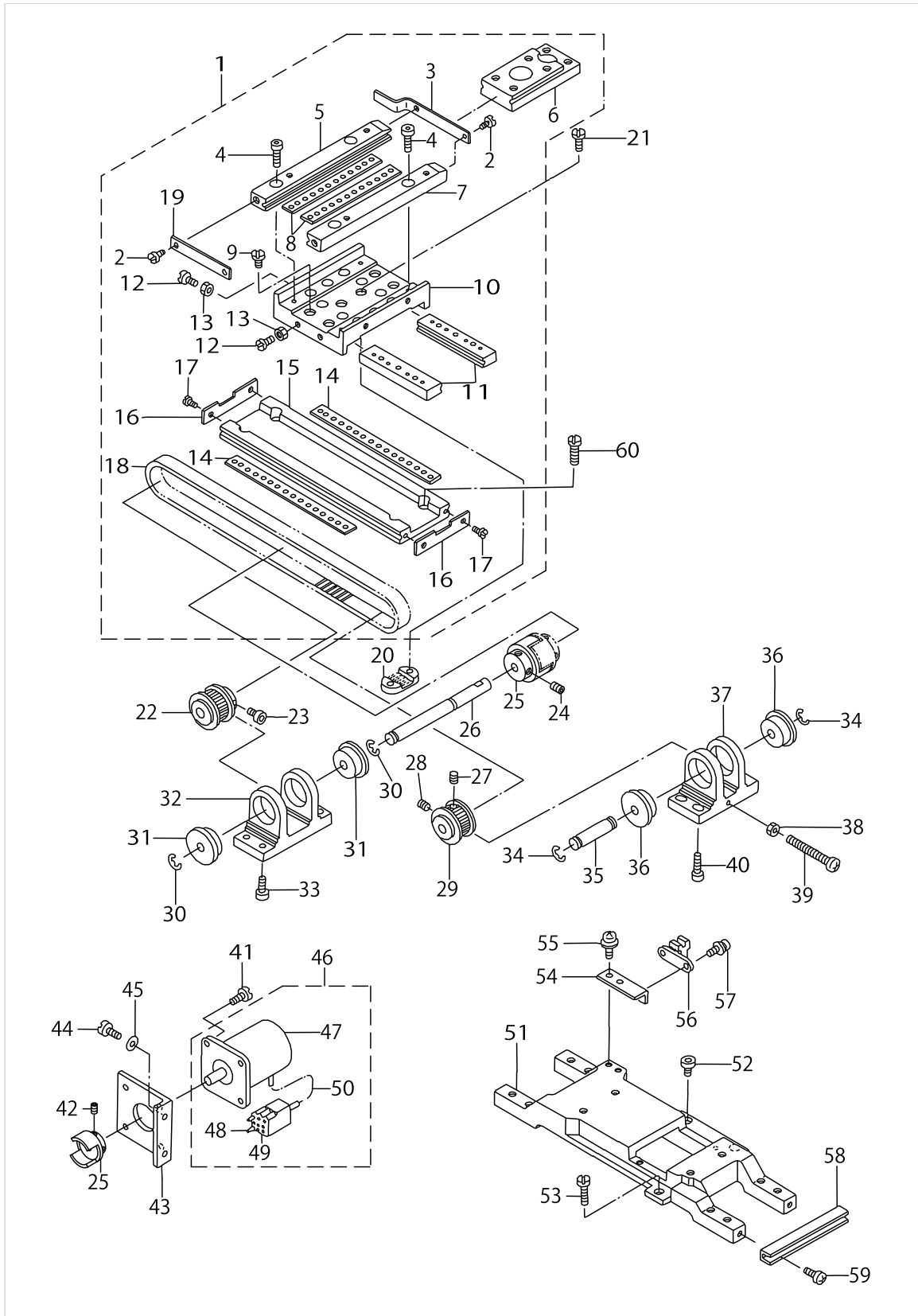
X-Y STEPPING MOTOR COMPONENTS (X SHAFT)



X-Y STEPPING MOTOR COMPONENTS (X SHAFT)

No.	Parts No.	Parts name	Remarks	Level	Cons	Qty
1	17814054	XY TABLE ASM.				1
2	SS6090620SP	SCREW 9/64-40 L=6		*		4
3	17814104	X SLIT PLATE		*		2
4	SM6041402TP	SCREW M4 L=14		*		4
5	B2519205000	Y FIXED RACE, A		*		1
6	B2519210000	Y REMOVAL RACE		*		1
7	B2520205000	Y FIXED RACE, B		*		1
8	B2522205000	Y BALL GAUGE		*		2
9	SS7110910TP	SCREW 11/64-40 L= 8.5		*		4
10	B2502210000	RACE TABLE		*		1
11	B2503210000	X REMOVAL RACE		*		2
12	SS7110910TP	SCREW 11/64-40 L= 8.5		*		4
13	NS6110310SP	NUT 11/64-40		*		4
14	B2521210000A	Y BALL GAUGE		*		2
15	B2501205000	X FIXED RACE		*		1
16	B2507210000	X STOPPER		*		2
17	SS6090620SP	SCREW 9/64-40 L=6		*		4
18	B2512205000	X TIMING BELT		*		1
19	B2522210000	Y STOPPER		*		1
20	B2509210000	X BELT RECEIVER				1
21	SS6110610TP	SCREW 11/64-40 L=6				2
22	B2513210000	SPROCKET WHEEL				1
23	SM6040602TP	SCREW M4 L=6				2
24	SM8050802TP	SCREW M5X0.8 L=8				2
25	B2516205000A	COUPLING				1
26	17812801	X-Y DRIVE SHAFT				1
27	SM8040602TP	SCREW M4X0.7 L=6				1
28	SM8040802TP	SCREW M4X8				1
29	B2514210000	SPROCKET WHEEL				1
30	RE0600000K0	E-RING 6				2
31	SB108000500	RADIAL BEARING				2
32	B2504210000	BRACKET, A				1
33	SM6051602TP	SCREW M5X0.8 L=16				4
34	RE0600000K0	E-RING 6				2
35	B2515210000	X BRACKET SHAFT				1
36	SB108000500	RADIAL BEARING				2
37	B2505210000	BRACKET, B				1
38	NM6050003SC	NUT M5X0.8				1
39	SM4051601SC	SCREW M5X0.8 L=16				1
40	SM6051602TP	SCREW M5X0.8 L=16				4
41	SS4110915SP	SCREW 11/64-40 L=9				4
42	SM8050802TP	SCREW M5X0.8 L=8				2
43	17813817	X MOTOR INSTALLING PLATE				1
44	SS4110915SP	SCREW 11/64-40 L=9				2
45	WP0501016SD	WASHER 5X10.5X1				2
46	25018755	X STEPPING MOTOR (B) ASM.				1
47	25018706	STEPPING MOTOR		*		1

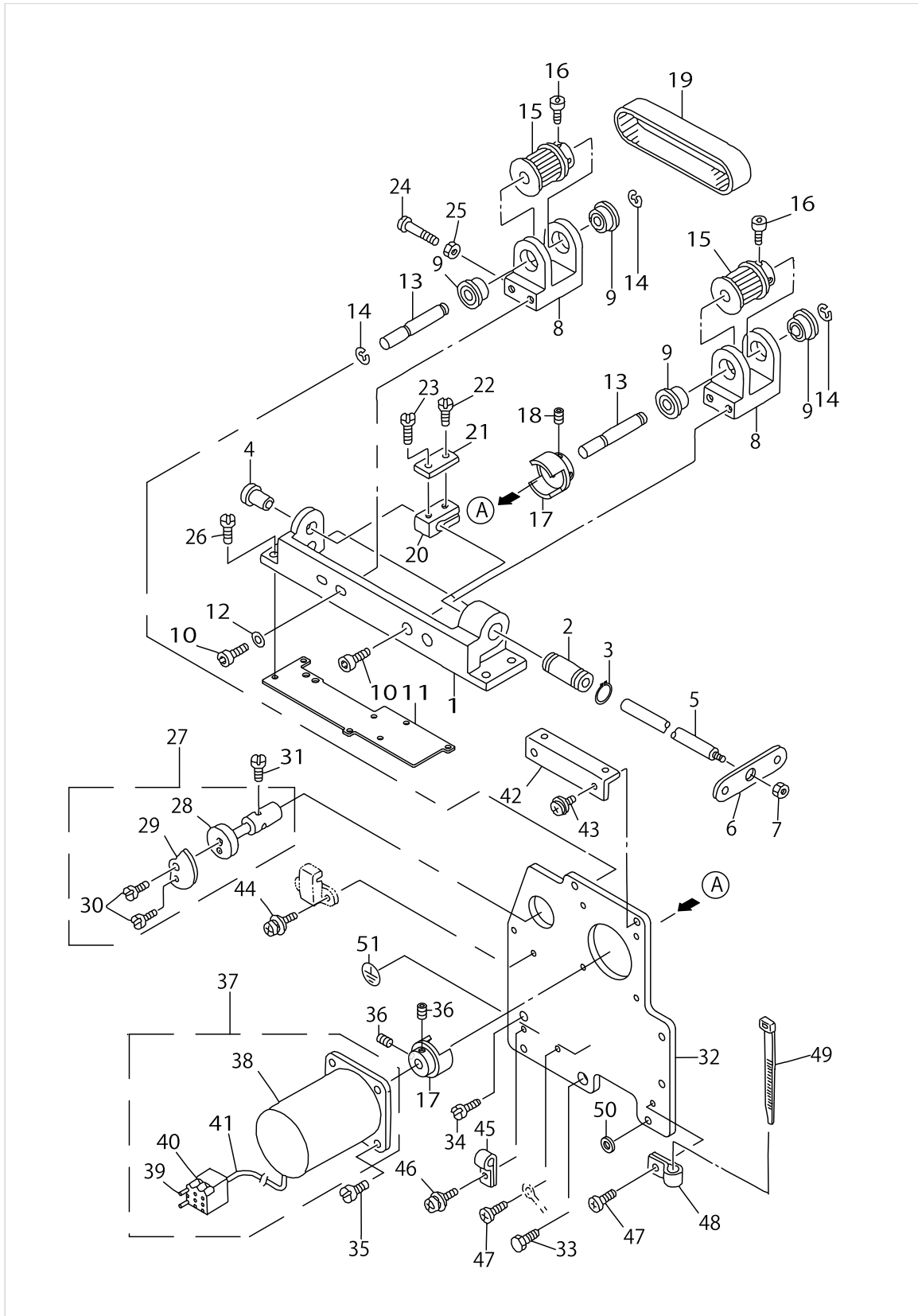
X-Y STEPPING MOTOR COMPONENTS (X SHAFT)



X-Y STEPPING MOTOR COMPONENTS (X SHAFT)

No.	Parts No.	Parts name	Remarks	Level	Cons	Qty
48	HK003940010	PIN-SHAPE TERMINAL, FEMALE		*		4
49	D8621761C0B	6P RECEPTACLE (BLUE)		*		1
50	E8760452M00	TUBE		*		0.1
51	17963703	X-Y TABLE BASE				1
52	SS6151412TP	SCREW 15/64-28 L=14				2
53	SS9151210TP	SCREW 15/64-28 L=11.8				1
54	17814500	X INSTALLING PLATE				1
55	SL4030891SC	SCREW M3X8				2
56	17840653	SENSOR ASM.				1
57	SL4031291SC	SCREW M3X12				2
58	17814203	X ADJUSTING BASE				1
59	SM4040801SN	SCREW M4 L=8				2
60	SS6121210SP	SCREW 3/16-28 L=12				4

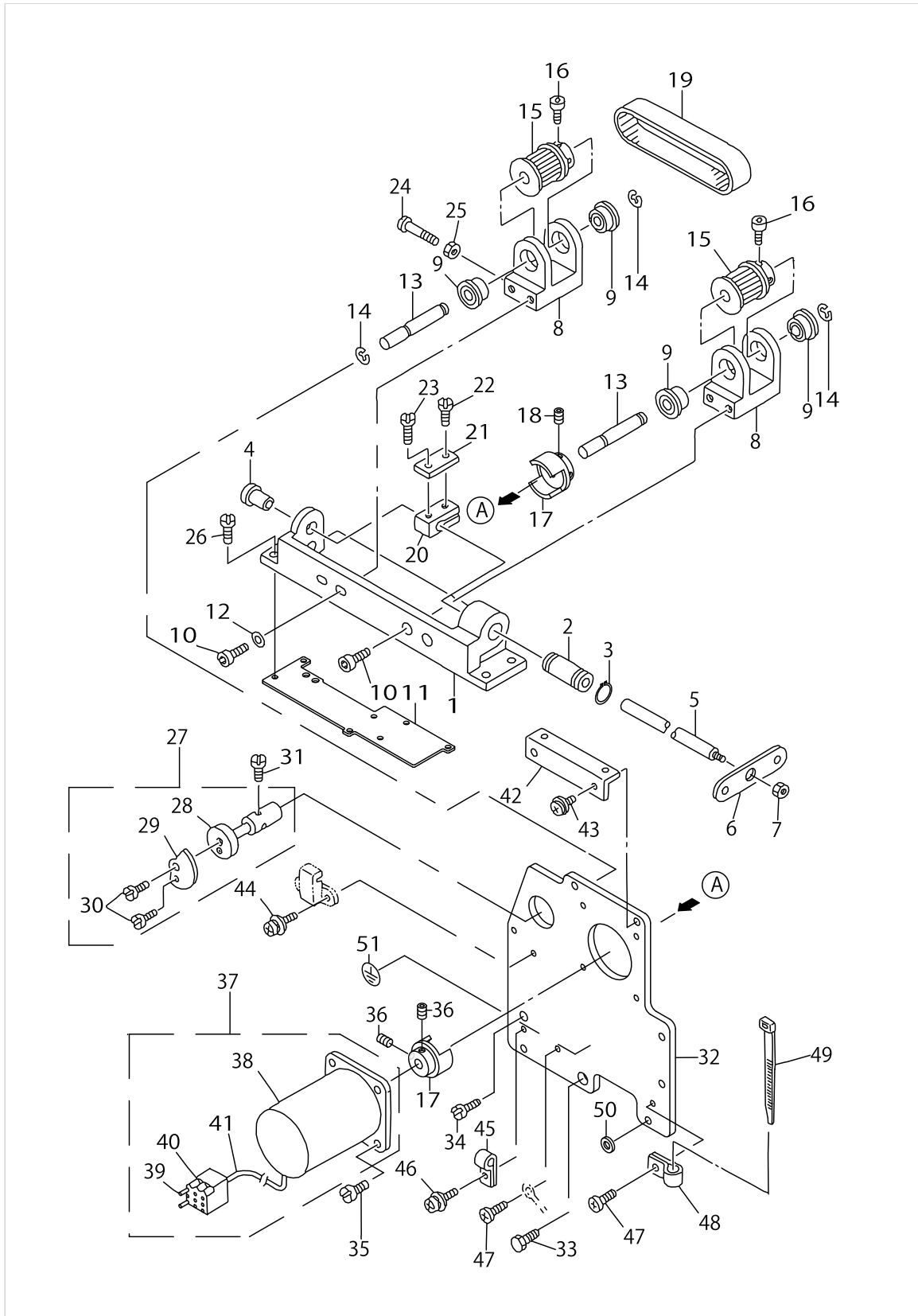
X-Y STEPPING MOTOR COMPONENTS (Y SHAFT)



X-Y STEPPING MOTOR COMPONENTS (Y SHAFT)

No.	Parts No.	Parts name	Remarks	Level	Cons	Qty
1	17812603	Y SHAFT BASE				1
2	SB710000200	SLIDE BEARING				1
3	RC1900001KP	C-RING				1
4	17813403	Y COLLAR				1
5	17812900	Y MOVING SHAFT				1
6	B2525205000	Y REMOVAL BRACKET				1
7	NS6150310SP	NUT 15/64-28				1
8	17812702	Y BRACKET				2
9	SB108000500	RADIAL BEARING				4
10	SM6051202TP	SCREW M5X0.8 L=12				4
11	25001603	SPACER B				1
12	WP0531000SC	WASHER 5.3X10X1				2
13	17812801	X-Y DRIVE SHAFT				2
14	RE0600000K0	E-RING 6				4
15	B2513210000	SPROCKET WHEEL				2
16	SM6040602TP	SCREW M4 L=6				4
17	B2516205000A	COUPLING				1
18	SM8050802TP	SCREW M5X0.8 L=8				2
19	17813106	Y TIMING BELT				1
20	B2536210000	Y BELT BASE				1
21	B2526210000	Y BELT RECEIVER				1
22	SS7111810TP	SCREW 11/64-40 L=18				1
23	SS7110910TP	SCREW 11/64-40 L= 8.5				1
24	SM4052501SC	SCREW M5X0.8 L=25				1
25	NM6050003SC	NUT M5X0.8				1
26	SS6151612TP	SCREW				4
27	17813056	Y SLIT PLATE BOSS ASM.				1
28	17813007	Y SLIT PLATE BOSS		*		1
29	B4008205000	Y SLIT PLATE		*		1
30	SS7090850SP	SCREW 9/64-40 L=8		*		2
31	SS6090610SP	SCREW 9/64-40 L= 5.5				2
32	25004003	Y MOTOR INSTALLING BASE				1
33	SS9201813CP	SCREW 5/16-18 L=18				1
34	SS6151440SP	SCREW 15/64-28 L=14				1
35	SS4110915SP	SCREW 11/64-40 L=9				4
36	SM8050802TP	SCREW M5X0.8 L=8				2
37	25018854	Y STEPPING MOTOR (B) ASM.				1
38	25018706	STEPPING MOTOR		*		1
39	HK003940010	PIN-SHAPE TERMINAL, FEMALE		*		4
40	HK018620060	6-POLE CONNECTOR		*		1
41	E8760452M00	TUBE		*		0.1
42	17813304	XY COVER PLATE				1
43	SL4051091SC	SCREW M5X0.8 L=10				2
44	SL4030891SC	SCREW M3X8				2
45	HX00150000A	CABLE CLAMP				1
46	SL4040891SC	SCREW M4 L=8				1
47	SL4040891SC	SCREW M4 L=8				2

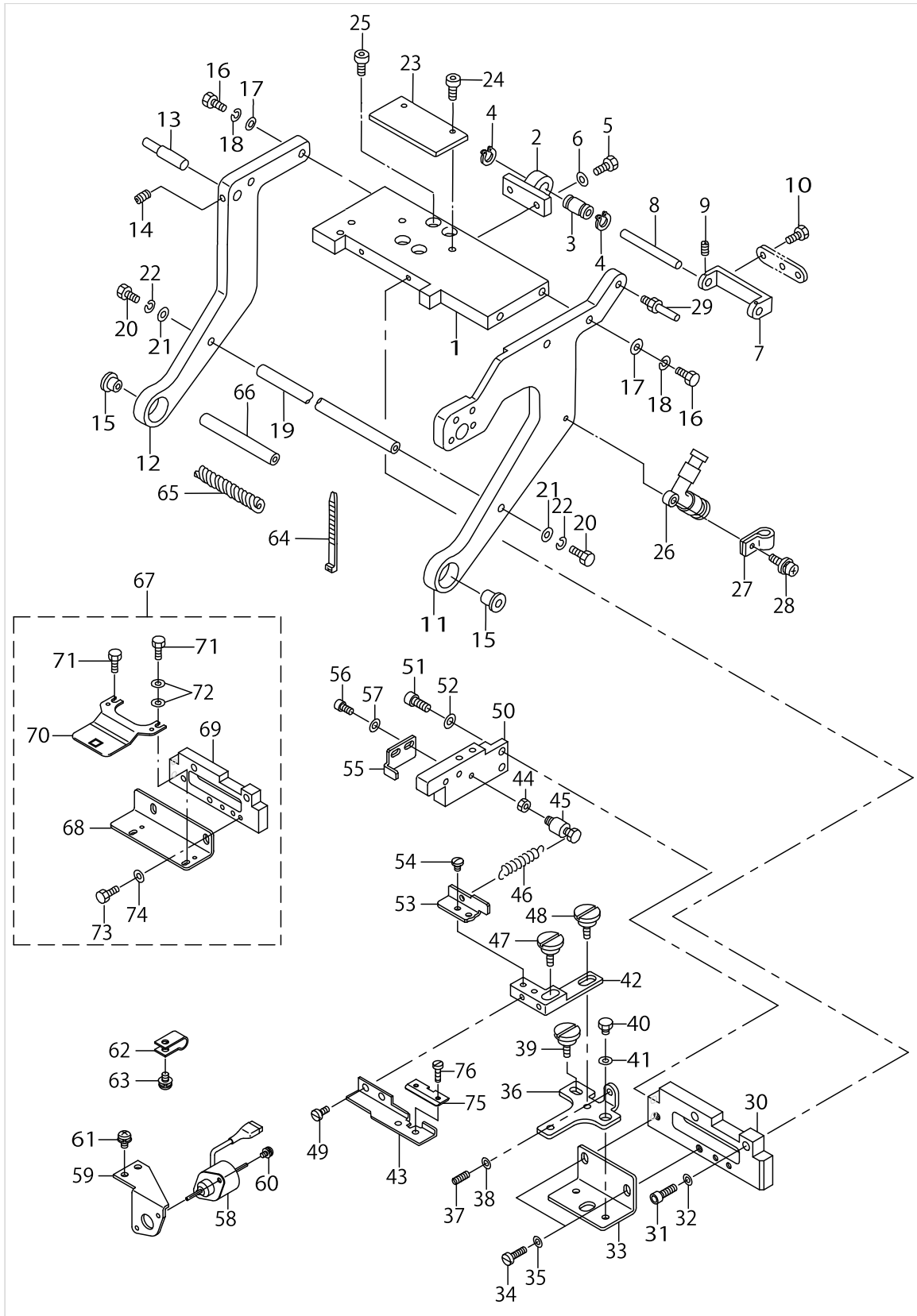
X-Y STEPPING MOTOR COMPONENTS (Y SHAFT)



X-Y STEPPING MOTOR COMPONENTS (Y SHAFT)

No.	Parts No.	Parts name	Remarks	Level	Cons	Qty
48	HX00150000A	CABLE CLAMP				1
49	EA9500B0100	CABLE BAND				1
50	11047305	BELT COVER RUBBER CUSHION				2
51	10004109	GROUND MARK				1

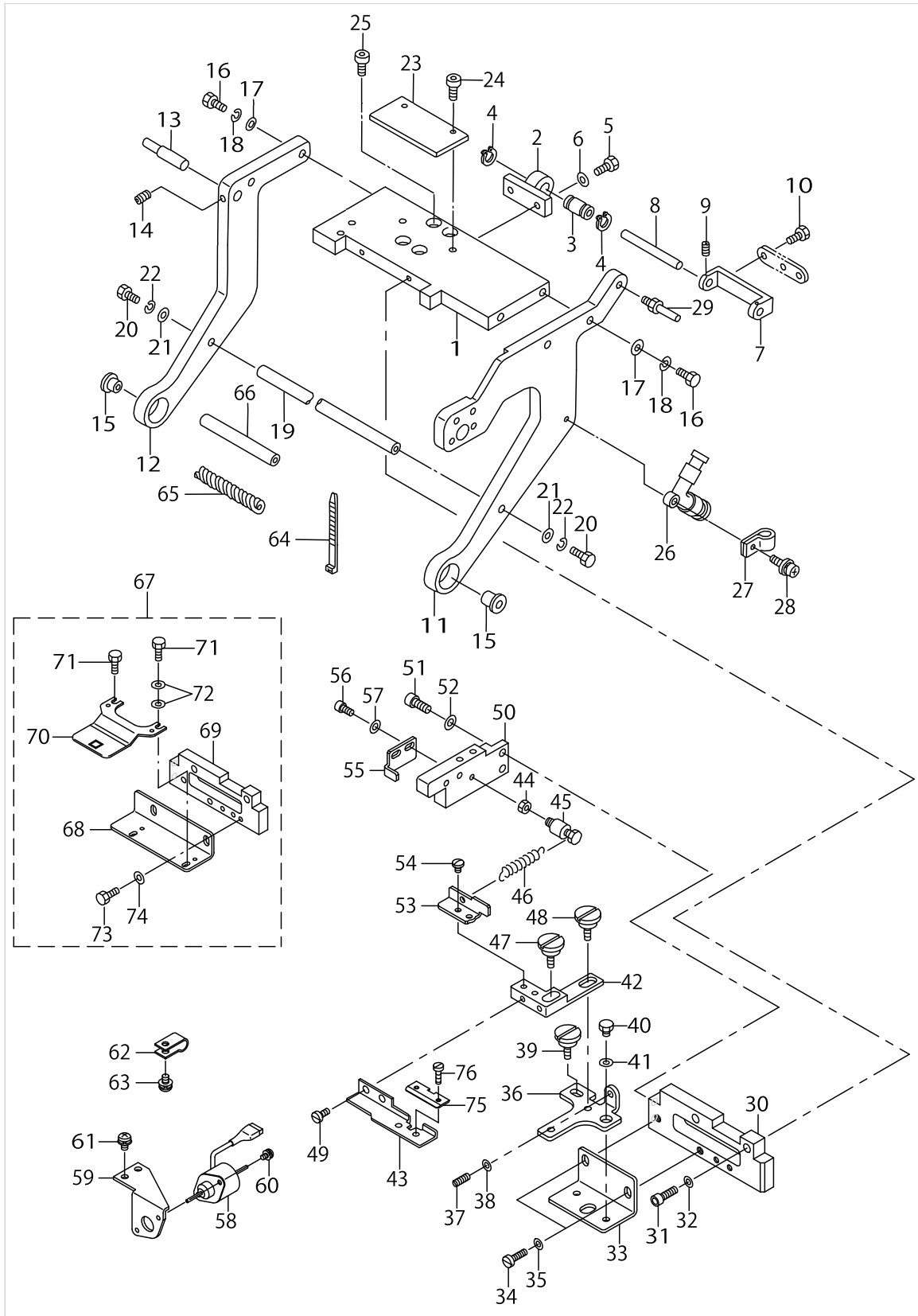
X-Y FRAME COMPONENTS



X-Y FRAME COMPONENTS

No.	Parts No.	Parts name	Remarks	Level	Cons	Qty
1	25004110	Y TABLE BASE				1
2	17816604	Y TABLE SHAFT BRACKET				1
3	SB710000200	SLIDE BEARING				1
4	RC1900001KP	C-RING				2
5	SM9062003SC	SCREW M6 L=20				2
6	WP0641600SC	WASHEW 6.4X12.5X1.6				2
7	17816307	X SHAFT SUPPORT				1
8	B2510205000	X GUIDE SHAFT				1
9	SS8110422TP	SCREW 11/64-40 L=4				2
10	SS9150910SP	SCREW				2
11	25004201	FRAME, RIGHT				1
12	25004300	FRAME, LEFT				1
13	17816919	CYLINDER SHAFT				1
14	SM8050612TP	SCREW M5X6				1
15	SB110000500	BEARING				2
16	SM9062553SC	SCREW M6 L=25				4
17	WP0641600SC	WASHEW 6.4X12.5X1.6				4
18	WS0610002KN	SPRING WASHER 6.1X12.2X1.5				4
19	17816505	FRAME SHAFT				1
20	SM9062003SC	SCREW M6 L=20				2
21	WP0641600SC	WASHEW 6.4X12.5X1.6				2
22	WS0610002KN	SPRING WASHER 6.1X12.2X1.5				2
23	17816406	SLIDER PLATE				1
24	SM6050802TR	SCREW M5X0.8 L=8				2
25	SS6151612TP	SCREW				4
26	PJ304040001	ELBOW				1
27	HX00150000D	CABLE CLIP				1
28	SL4042091SC	SCREW M4X0.7 L=20				1
29	17816711	CYLINDER SHAFT				1
30	25338708	INSTALLING PLATE BLOCK				1
31	SM6051602TR	SCREW M5 L=16				2
32	WP0531000SC	WASHER 5.3X10X1				2
33	25338609	FITTING PLATE				1
34	SM9051450SC	SCREW M5X0.8 L=14				2
35	WP0531000SC	WASHER 5.3X10X1				2
36	25338500	FIXING PLATE				1
37	SS8111010TP	SCREW 11/64-40 L=9.5				1
38	NS6110310SP	NUT 11/64-40				1
39	SD0550212TP	HINGE SCREW D=5.5 H=2.1				1
40	SS9110543CP	SCREW 11/64-40 L=5.3				1
41	WP0450801SD	WASHER 4.5X10X0.8				1
42	25338401	BLOCK				1
43	25005000	SUPPORT PLATE				1
44	NS6090310SP	NUT 9/64-40				1
45	GBR01357000	SPRING HOOK				1
46	13525001	SPRING				1
47	SD0700811TP	HINGE SCREW				1

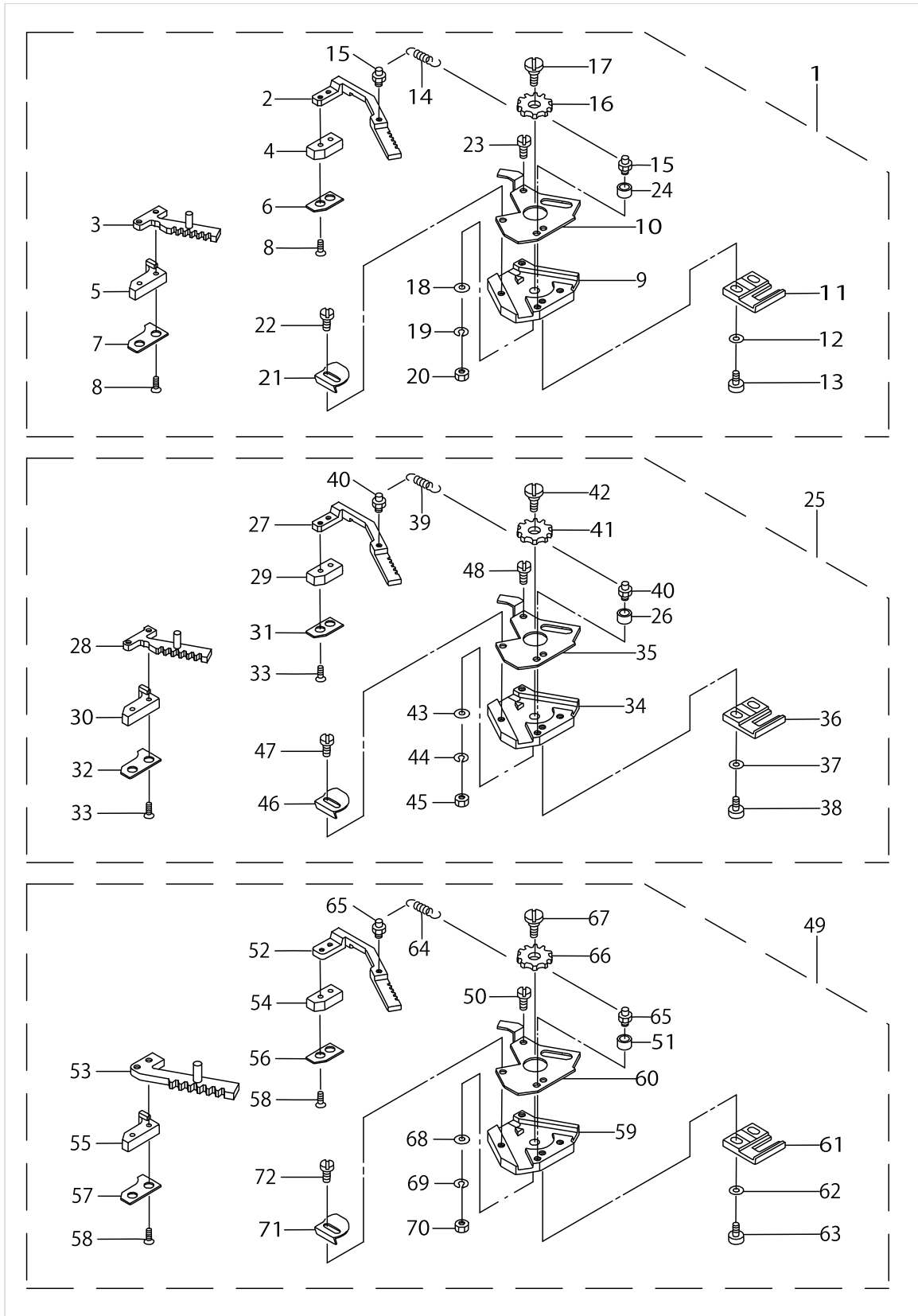
X-Y FRAME COMPONENTS



X-Y FRAME COMPONENTS

No.	Parts No.	Parts name	Remarks	Level	Cons	Qty
48	SD0700271TP	HINGE SCREW				1
49	SS6090540SP	SCREW 9/64-40 L= 5.0				2
50	25338302	SIDE BLOCK				1
51	SM6051602TR	SCREW M5 L=16				2
52	WS0510002KN	SPRING WASHER				2
53	25338005	ACTUATOR STOPPER A				1
54	SS7090520TP	SCREW 9/64-40 L= 4.5				2
55	25338104	ACTUATOR STOPPER B				1
56	SM6040802TR	SCREW M4X0.7 L=8				2
57	WP0430800SC	WASHER M4				2
58	25338955	ACTUATOR ASM.				1
59	25338203	ACTUATOR FITTING PLATE				1
60	SL4030681SC	SCREW M3 L=6				2
61	SL4040891SL	SCREW M4 L=8				2
62	HX00150000B	CABLE CLIP				1
63	SL4040891SL	SCREW M4 L=8				1
64	EA9500B0100	CABLE BAND				4
65	E1022760000	SPIRAL TUBE				0.2
66	HX00088000A	TUBE A (10)				0.2
67	25009051	LOWER PLATE ASM.	FOR EXPORT			1
68	25009002	INSTALLING BASE		*		1
69	25004508	INSTALLING PLATE BLOCK		*		1
70	17829003	SUPPORT PLATE LOWER (M BUTTON)		*		1
71	SS9110543CP	SCREW 11/64-40 L=5.3		*		2
72	WP0450801SD	WASHER 4.5X10X0.8		*		2
73	SM9051450SC	SCREW M5X0.8 L=14		*		2
74	WP0531000SC	WASHER 5.3X10X1		*		2
75	25005109	SPACER				1
76	SS2060210SP	SCREW 3/32-56 L=2.3				2

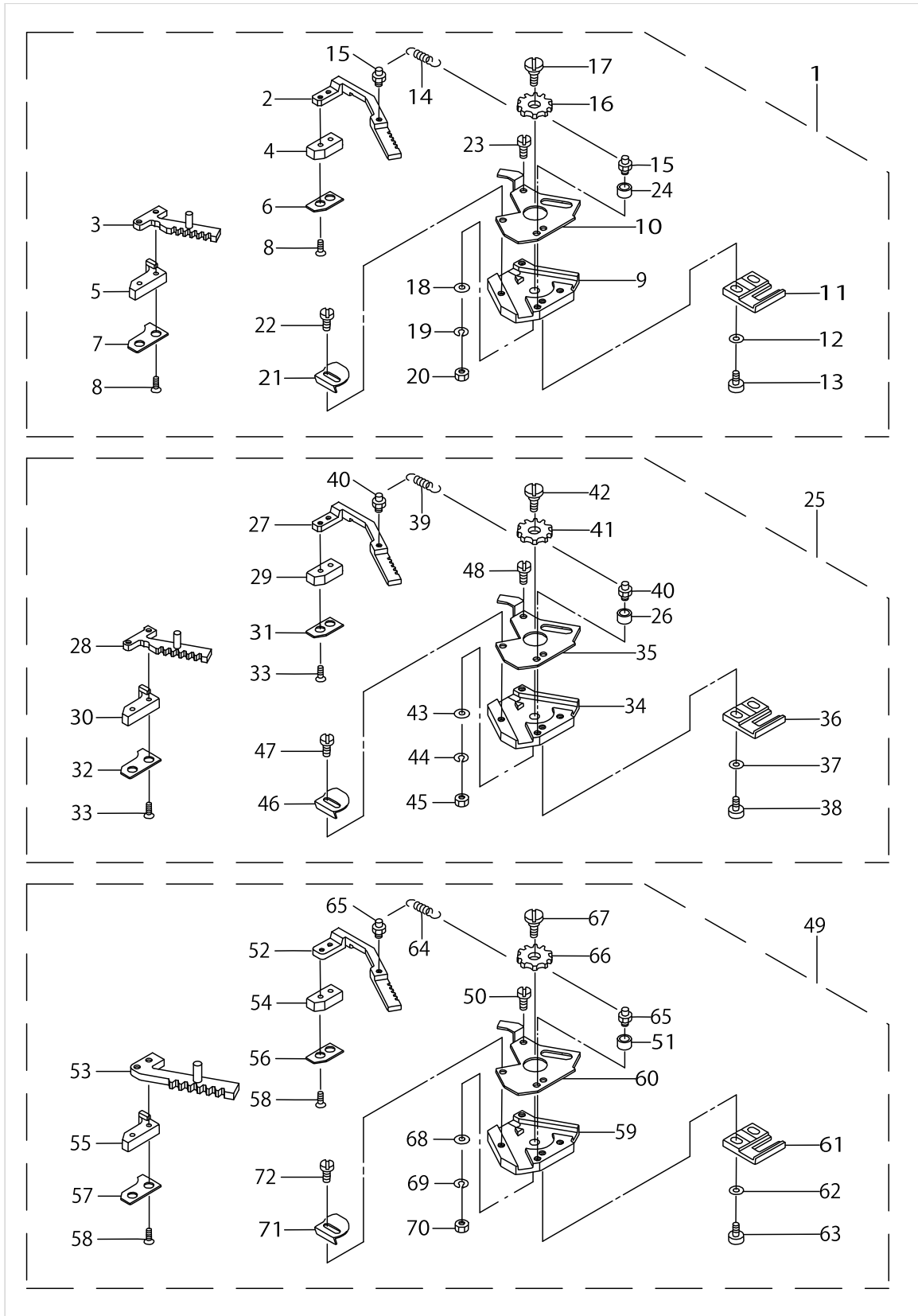
CHUCK COMPONENTS



CHUCK COMPONENTS

No.	Parts No.	Parts name	Remarks	Level	Cons	Qty
1	25010059	BUTTON CHUCK BASE COMPL.				1
2	25010000	BUTTON CHUCK BASE, LEFT		*		1
3	25010158	BUTTON CHUCK BASE(RIGHT)MEDIUM		*		1
4	17969304	CHUCK SPACER BASE, LEFT		*		1
5	17969403	CHUCK SPACER BASE, RIGHT		*		1
6	25010208	BUTTON RECEIVING PLATE, LEFT		*		1
7	25010307	BUTTON RECEIVING PLATE, RIGHT		*		1
8	SM1850951SD	SCREW M2.5 L=9		*		4
9	25010604	SLIDE BASE		*		1
10	25010703	COLLAR		*		1
11	25012006	BUTTON CHUCK ADJUST BASE		*		1
12	WP0371016SD	WASHER 3.7X8X1		*		2
13	SS6090620SP	SCREW 9/64-40 L=6		*		2
14	17970609	CHUCK SPRING		*		1
15	17821208	SUSPENSION SCREW B		*		2
16	17821018	OPEN AND SHUT GEAR		*		1
17	SD0800291TP	HINGE SCREW		*		1
18	WP0450801SD	WASHER 4.5X10X0.8		*		1
19	WS0451040KP	SPRING WASHER 4.5X8.5X1		*		1
20	NS6110420SP	NUT 11/64-40		*		1
21	17821802	BUTTON CHUCK STOPPER		*		1
22	SS6080610TP	SCREW 1/8-44 L=6		*		1
23	SS6080410SP	SCREW 1/8-44 L=4		*		2
24	25010703	COLLAR		*		1
25	25010851	BUTTON CHUCK BASE COMPL.				1
26	25010703	COLLAR		*		1
27	25010802	BUTTON CHUCK BASE, LEFT		*		1
28	25010950	BUTTON CHUCK BASE(RIGHT),LARGE		*		1
29	25011008	CHUCK SPACER BASE, LEFT		*		1
30	25011107	CHUCK SPACER BASE, RIGHT		*		1
31	25011206	BUTTON RECEIVING PLATE, LEFT		*		1
32	25011305	BUTTON RECEIVING PLATE, RIGHT		*		1
33	SM1850951SD	SCREW M2.5 L=9		*		4
34	25010604	SLIDE BASE		*		1
35	25010703	COLLAR		*		1
36	25012006	BUTTON CHUCK ADJUST BASE		*		1
37	WP0371016SD	WASHER 3.7X8X1		*		2
38	SS6090620SP	SCREW 9/64-40 L=6		*		2
39	17970609	CHUCK SPRING		*		1
40	17821208	SUSPENSION SCREW B		*		2
41	17821018	OPEN AND SHUT GEAR		*		1
42	SD0800291TP	HINGE SCREW		*		1
43	WP0450801SD	WASHER 4.5X10X0.8		*		1
44	WS0451040KP	SPRING WASHER 4.5X8.5X1		*		1
45	NS6110420SP	NUT 11/64-40		*		1
46	17821802	BUTTON CHUCK STOPPER		*		1
47	SS6080610TP	SCREW 1/8-44 L=6		*		1

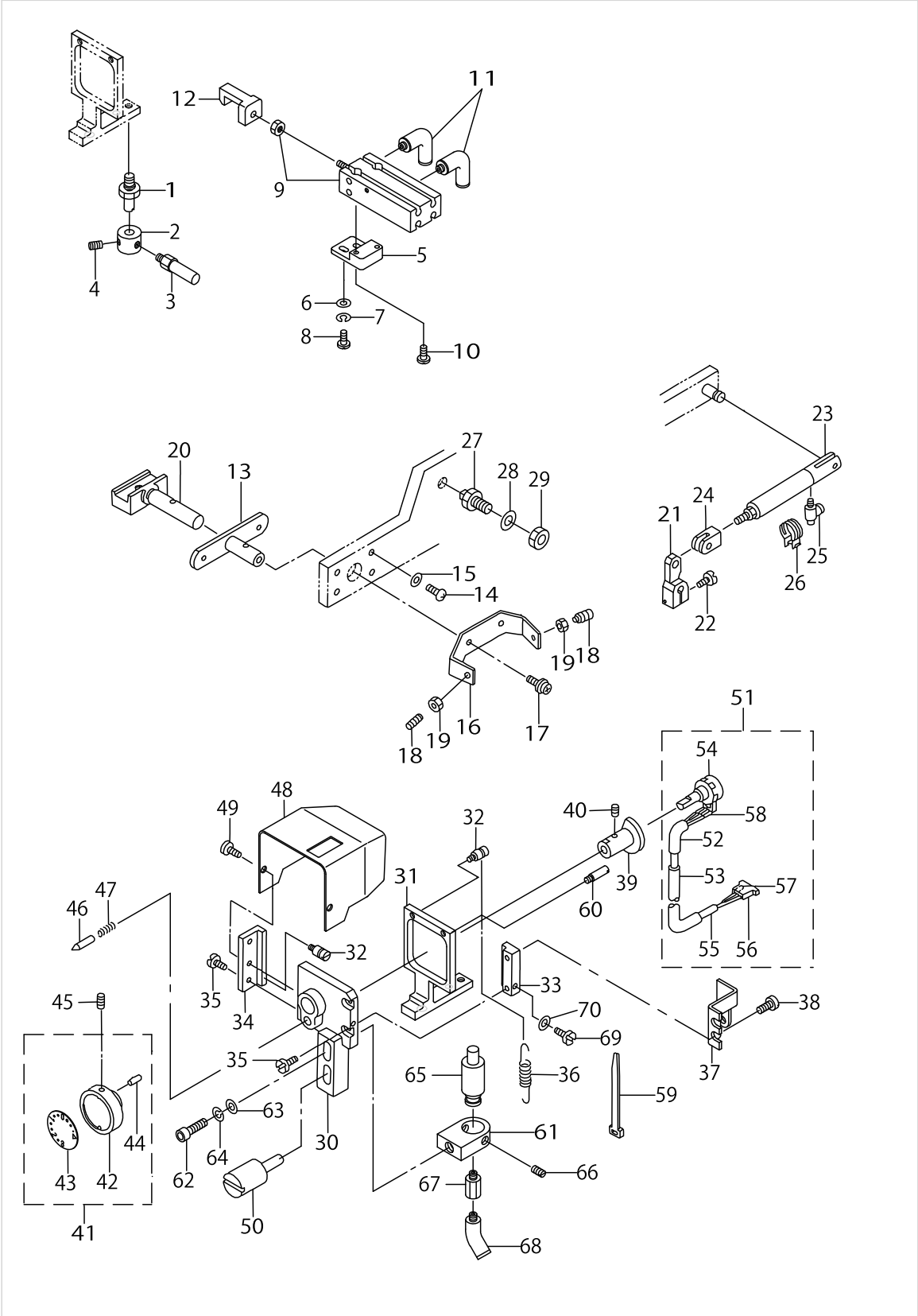
CHUCK COMPONENTS



CHUCK COMPONENTS

No.	Parts No.	Parts name	Remarks	Level	Cons	Qty
48	SS6080410SP	SCREW 1/8-44 L=4		*		2
49	25011453	BUTTON CHUCK BASE COMPL.				1
50	SS6080410SP	SCREW 1/8-44 L=4		*		2
51	25010703	COLLAR		*		1
52	25011404	BUTTON CHUCK BASE, LEFT		*		1
53	25011552	BUTTON CHUCK BASE(RIGHT),SMALL		*		1
54	25011602	CHUCK SPACER BASE, LEFT		*		1
55	25011701	CHUCK SPACER BASE, RIGHT		*		1
56	25011800	BUTTON RECEIVING PLATE, LEFT		*		1
57	25011909	BUTTON RECEIVING PLATE, RIGHT		*		1
58	SM1850951SD	SCREW M2.5 L=9		*		4
59	25010604	SLIDE BASE		*		1
60	25010703	COLLAR		*		1
61	25012006	BUTTON CHUCK ADJUST BASE		*		1
62	WP0371016SD	WASHER 3.7X8X1		*		2
63	SS6090620SP	SCREW 9/64-40 L=6		*		2
64	17970609	CHUCK SPRING		*		1
65	17821208	SUSPENSION SCREW B		*		2
66	17821018	OPEN AND SHUT GEAR		*		1
67	SD0800291TP	HINGE SCREW		*		1
68	WP0450801SD	WASHER 4.5X10X0.8		*		1
69	WS0451040KP	SPRING WASHER 4.5X8.5X1		*		1
70	NS6110420SP	NUT 11/64-40		*		1
71	17821802	BUTTON CHUCK STOPPER		*		1
72	SS6080610TP	SCREW 1/8-44 L=6		*		1

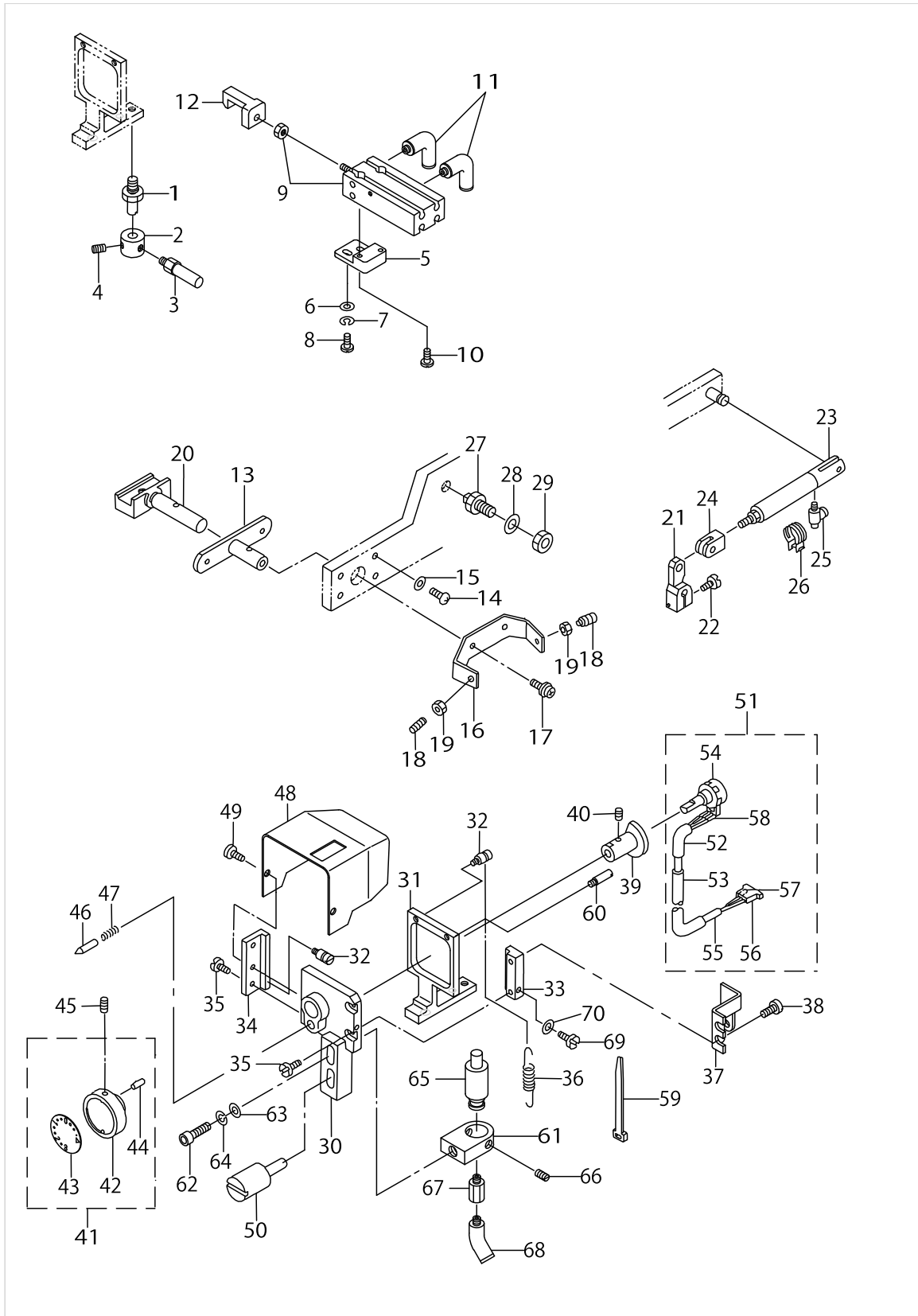
CHUCK TURN OVER COMPONENTS



CHUCK TURN OVER COMPONENTS

No.	Parts No.	Parts name	Remarks	Level	Cons	Qty
1	17970807	LOCK SCREW				1
2	17970906	LOCK COLLAR				1
3	17971003	LOCK LEVER				1
4	SS8110422TP	SCREW 11/64-40 L=4				1
5	25012303	CHUCK CYLINDER BASE				1
6	WP0371016SD	WASHER 3.7X8X1				2
7	WS0410002KP	SPRING WASHER				2
8	SS7090850SP	SCREW 9/64-40 L=8				2
9	PA0601505A0	CYLINDER				1
10	SL4031681SC	SCREW M3 X 16				2
11	PJ304040504	ELBOW UNION				2
12	25012402	CHUCK MOVING LEVER				1
13	17830209	BRACKET				1
14	SM4041401SC	SCREW M4X0.7 L=14				2
15	WP0430800SC	WASHER M4				2
16	17830100	STOPPER BASE				1
17	SL4051241SE	SCREW				2
18	SS8151720SP	SCREW				2
19	NS6150310SP	NUT 15/64-28				2
20	25008608	TURN OVER SHAFT				1
21	17830415	TURN LINK				1
22	SS9151740CP	SCREW 15/64-28 L=17				1
23	PA1603101A0	AIR CYLINDER				1
24	PX500020000	KNUCKLE JOINT				1
25	PC010507000	SPEED CONTROLLER				3
26	PX5000480A0	SWITCH FITTING METAL				2
27	25004409	STOPPER SHAFT				1
28	WP0531000SC	WASHER 5.3X10X1				1
29	NM6050003SC	NUT M5X0.8				1
30	25007501	ADJUSTING BASE				1
31	25007626	ADJUSTING SLIDE				1
32	17818600	SUSPENSION SCREW				2
33	25007709	ADJUSTING GUIDE, RIGHT				1
34	25007808	ADJUSTING GUIDE, LEFT				1
35	SS6080720SP	SCREW				4
36	GBR01227000	TENSION SPRING				1
37	25007907	CABLE SUPPORT				1
38	SS6080720SP	SCREW				2
39	25008004	CAM				1
40	SS8080410TP	SCREW 1/8-44 L=3.5				1
41	25008152	KNOB ASM.				1
42	25008103	KNOB		*		1
43	25008202	PIAL PLATE		*		1
44	PS0200122K0	SPRING PIN 2.0X12		*		1
45	SS8090710SP	SCREW 9/64-40 L= 7.0				2
46	17825514	RATCHET				1
47	B152652700G	SPRING				1

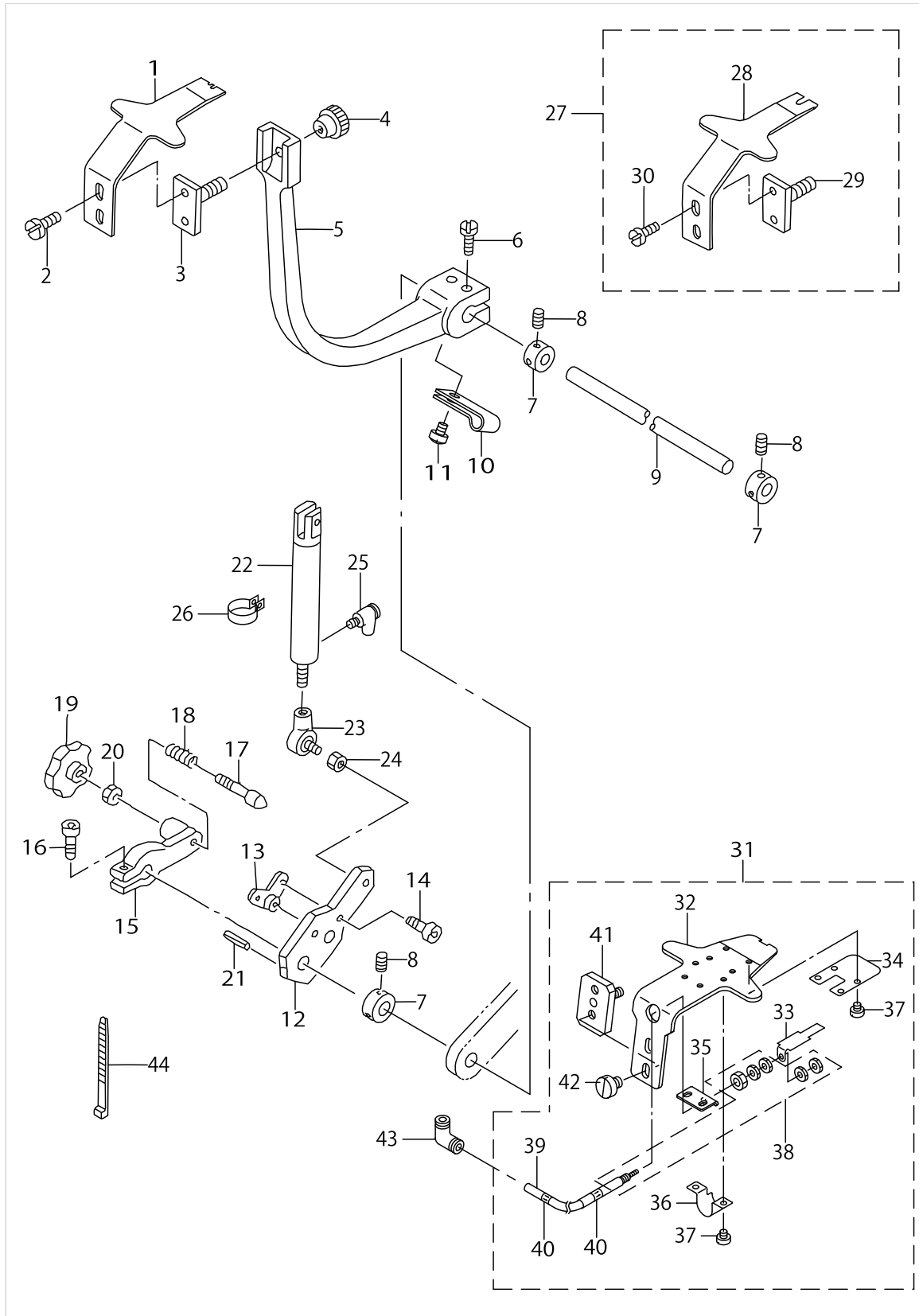
CHUCK TURN OVER COMPONENTS



CHUCK TURN OVER COMPONENTS

No.	Parts No.	Parts name	Remarks	Level	Cons	Qty
48	25008319	ENCODER COVER				1
49	SM0030601SC	SCREW M3X0.5 L=6				2
50	17964909	ADJUSTING BASE SCREW				1
51	17842352	ENCODER ASM.				1
52	E8760452H00	TUBE		*		0.1
53	HX00088000A	TUBE A (10)		*		0.3
54	HA002890000	SWITCH		*		1
55	HW000660050	CORD 5 CORE		*		2.5
56	HK024910050	5P HOUSING		*		1
57	HK032040000	PIN TERMINAL		*		5
58	E8760452B00	TUBE		*		0.1
59	EA9500B0100	CABLE BAND				1
60	25008426	STUD				1
61	25008509	CYLINDER BASE				1
62	SM6041402TN	SCREW M4X0.7 L=14				1
63	WP0430800SC	WASHER M4				1
64	WS0410002KN	SPRING WASHER				1
65	PA100152300	CYLINDER				1
66	SS8080310TP	SCREW 1/8-44 L=2.8				2
67	PJ010505001	JOINT				1
68	PJ309040501	ELBOW UNION				1
69	SS7080510SP	SCREW 1/8-44 L= 4.5				1
70	WP0350516SD	WASHER 3.5X6X0.5				1

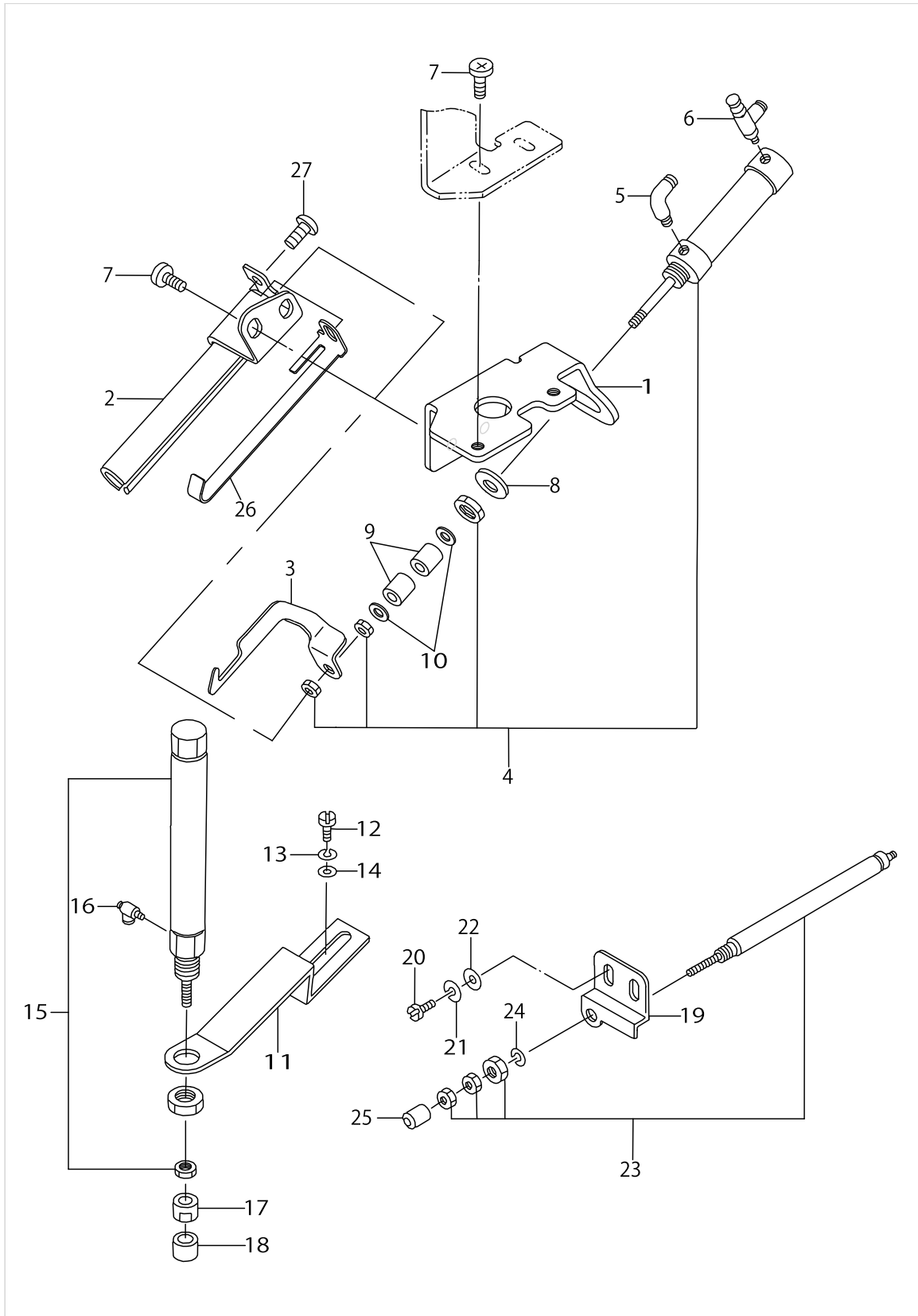
TANG COMPONENTS



TANG COMPONENTS

No.	Parts No.	Parts name	Remarks	Level	Cons	Qty
1	25006602	TANG (4-HOLED BUTTON)				1
2	SS6110610TP	SCREW 11/64-40 L=6				2
3	17823550	TANG INSTALLING PLATE ASM.				1
4	17823709	TANG KNOB				1
5	17822800	TANG ARM				1
6	SS6121212TP	SCREW 3/16-28 L=12.0				2
7	CS1000811SP	THRUST COLLAR				4
8	SS8110520TP	SCREW 11/64-40 L= 4.5				8
9	17824103	SHAFT				1
10	HX00150000A	CABLE CLAMP				1
11	SS7120640SP	SCREW 3/16-28 L=6				1
12	17822909	TANG TURH ARM				1
13	17823006	BOSS				1
14	SM6040602TP	SCREW M4 L=6				2
15	17823105	PLATE				1
16	SM6051202TP	SCREW M5X0.8 L=12				1
17	17824202	PIN				1
18	17824004	SPRING				1
19	17824400	KNOB				1
20	NM6060001SC	NUT M6				1
21	PS0200082KH	SPRING PIN				1
22	PA1503007A0	WORKPIECE PRESSER CYLINDER				1
23	17824608	LIHK BALL				1
24	NM6050001SC	NUT M5				1
25	PC010507000	SPEED CONTROLLER				2
26	PX500043000	BAND				1
27	17966359	TANG(2-HOLED BUTTON)ASM.				1
28	17966300	TANG		*		1
29	17823550	TANG INSTALLING PLATE ASM.		*		1
30	SS6110610TP	SCREW 11/64-40 L=6		*		2
31	25006750	TANG ASM. (FOR LIGHT FABLIC)				1
32	25006701	TANG (FOR LIGHT FABLIC)		*		1
33	25006800	THREAD PRESSER		*		1
34	25006909	THREAD PRESSER COVER		*		1
35	25007006	CYLINDER BRACKET		*		1
36	25007105	CYLINDER COVER		*		1
37	SS6080320SP	SCREW 1/8-44 L= 2.5		*		8
38	PA0401001A0	CYLINDER		*		1
39	BT0400251EB	URETHANE HOSE, BLACK		*		0.3
40	18036004	WIRE MARK		*		2
41	17823550	TANG INSTALLING PLATE ASM.		*		1
42	SS6110610TP	SCREW 11/64-40 L=6		*		2
43	PJ304040001	ELBOW				1
44	EA9500B0100	CABLE BAND				2

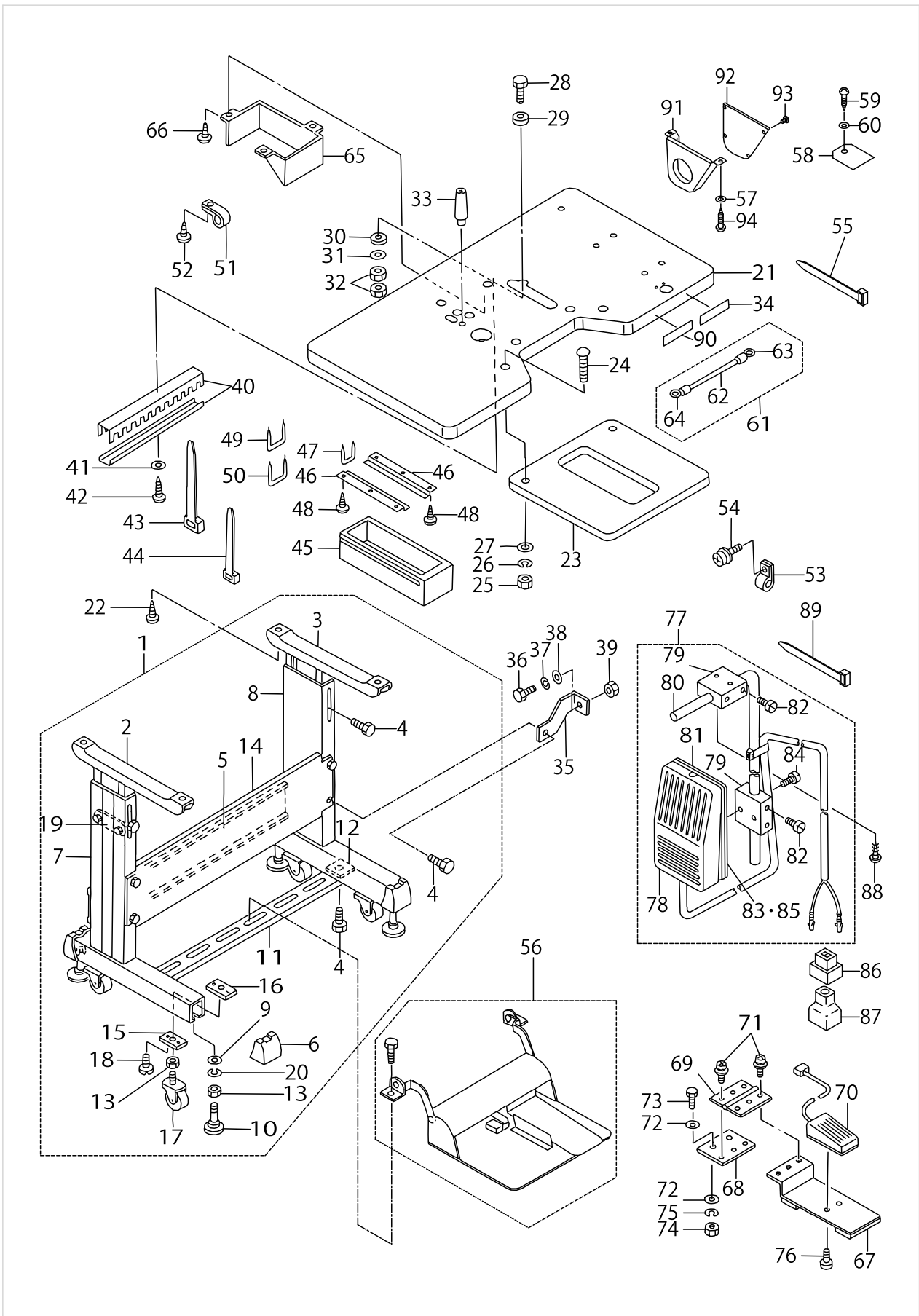
WIPER & PRESSER COMPONENTS



WIPER & PRESSER COMPONENTS

No.	Parts No.	Parts name	Remarks	Level	Cons	Qty
1	25003302	WIPER INSTALLING PLATE				1
2	17826603	SUPPORT PIPE				1
3	25003401	WIPER				1
4	PA1008003A0	CYLINDER				1
5	PJ304040504	ELBOW UNION				1
6	PC010507000	SPEED CONTROLLER				1
7	SL4040891SC	SCREW M4 L=8				4
8	WP0841600SE	WASHER 8,4X15,5X1,6				1
9	17967308	CYLINDER STOPPER				2
10	WP0430800SC	WASHER M4				2
11	17967209	CYLINDER BRACKET				1
12	SM6051602TR	SCREW M5 L=16				2
13	WS0510002KN	SPRING WASHER				2
14	WP0560860SE	WASHER 5.6X12X0.8				2
15	PA1005501A0	CYLINDER				1
16	PC010507000	SPEED CONTROLLER				2
17	17817206	SHAFT				1
18	11503505	RUBBER CUSHION				1
19	25006008	CYLINDER BRACKET				1
20	SM9041050SC	SCREW M4X0.7 L=10				2
21	WS0410002KN	SPRING WASHER				2
22	WP0430800SC	WASHER M4				2
23	PA0502401A0	CYLINDER				1
24	WS0510002KP	SPRING WASHER 5.1X9.2X1.3				1
25	17968009	BUTTON PUSHER				1
26	17826504	SPRING				1
27	SS4110615SP	SCREW 11/64-40 L=6				1

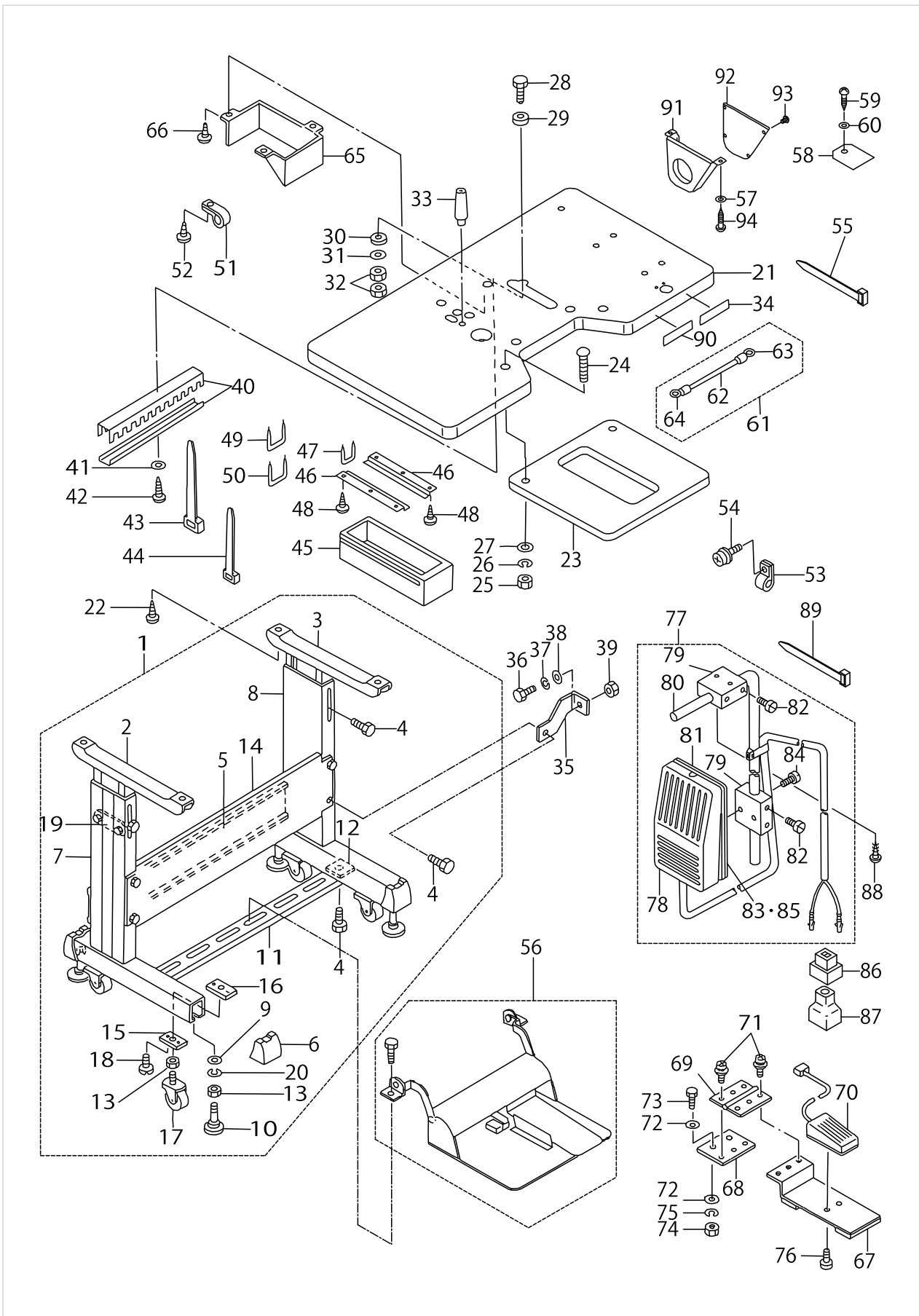
STAND & TABLE COMPONENTS



STAND & TABLE COMPONENTS

No.	Parts No.	Parts name	Remarks	Level	Cons	Qty
1	17832858	T-STAND UNIT				1
2	11157757	STAND UPPER, LEFT		*		1
3	11157658	STAND UPPER, RIGHT		*		1
4	SL9082093SE	SCREW		*		16
5	11158300	STAND SIDE SUPPORT		*		1
6	11158607	RUBBER CAP		*		4
7	17833054	STAND ASM., LEFT		*		1
8	17832957	STAND ASM., RIGHT		*		1
9	WP1302501SE	WASHER M12		*		8
10	17833658	ADJUSTING BOLT ASM.		*		4
11	11158409	STAND SIDE SUPPORT		*		1
12	17007402	NUT		*		2
13	NM6120003SE	NUT M12		*		4
14	17833104	STAND SIDE		*		1
15	17833302	CASTER PLATE A		*		4
16	17833401	CASTER PLATE B		*		4
17	17833500	CASTER		*		4
18	SM6061202TP	SCREW M6 L=12		*		8
19	11158508	PLATE		*		2
20	WS1220002KR	SPRING WASHER, M12		*		4
21	25012501	TABLE				1
22	SK3513200SC	WOOD SCREW D=5.1 L=32				4
23	17971805	AUXILIARY TABLE				1
24	MTJMS000030	SCREW				2
25	NS6200710SN	NUT 5/16-18				2
26	WS0820002KN	SPRING WASHER M8				2
27	WP0851846SC	WASHER 8.5X22.0X1.8				2
28	17835000	SCREW				4
29	17835109	CUSHION A				4
30	17835307	CUSHION B				4
31	WP0612056SD	WASHER 6.1X18.5X2				4
32	NM6060001SC	NUT M6				8
33	11280856	FRAME SUPPORT BAR ASM.				1
34	25338807	NAME PLATE				1
35	17833203	BOX SUPPORT PLATE				1
36	SM9061403SC	SCREW M6 L=14				2
37	WS0610002KN	SPRING WASHER 6.1X12.2X1.5				2
38	WP0641600SC	WASHER 6.4X12.5X1.6				2
39	NM6060001SC	NUT M6				2
40	HX000130000	CONDUIT				0.5
41	WP0560860SE	WASHER 5.6X12X0.8				2
42	SK3452500SC	WOOD SCREW D=4.5 L=25				2
43	HX00065000B	CABLE BAND				2
44	EA9500B0200	CABLE BAND 150				1
45	11155108	DRAWER				1
46	11155207	DRAWER SUPPORT				2
47	D8204555D00	DRAWER STOPPER				1

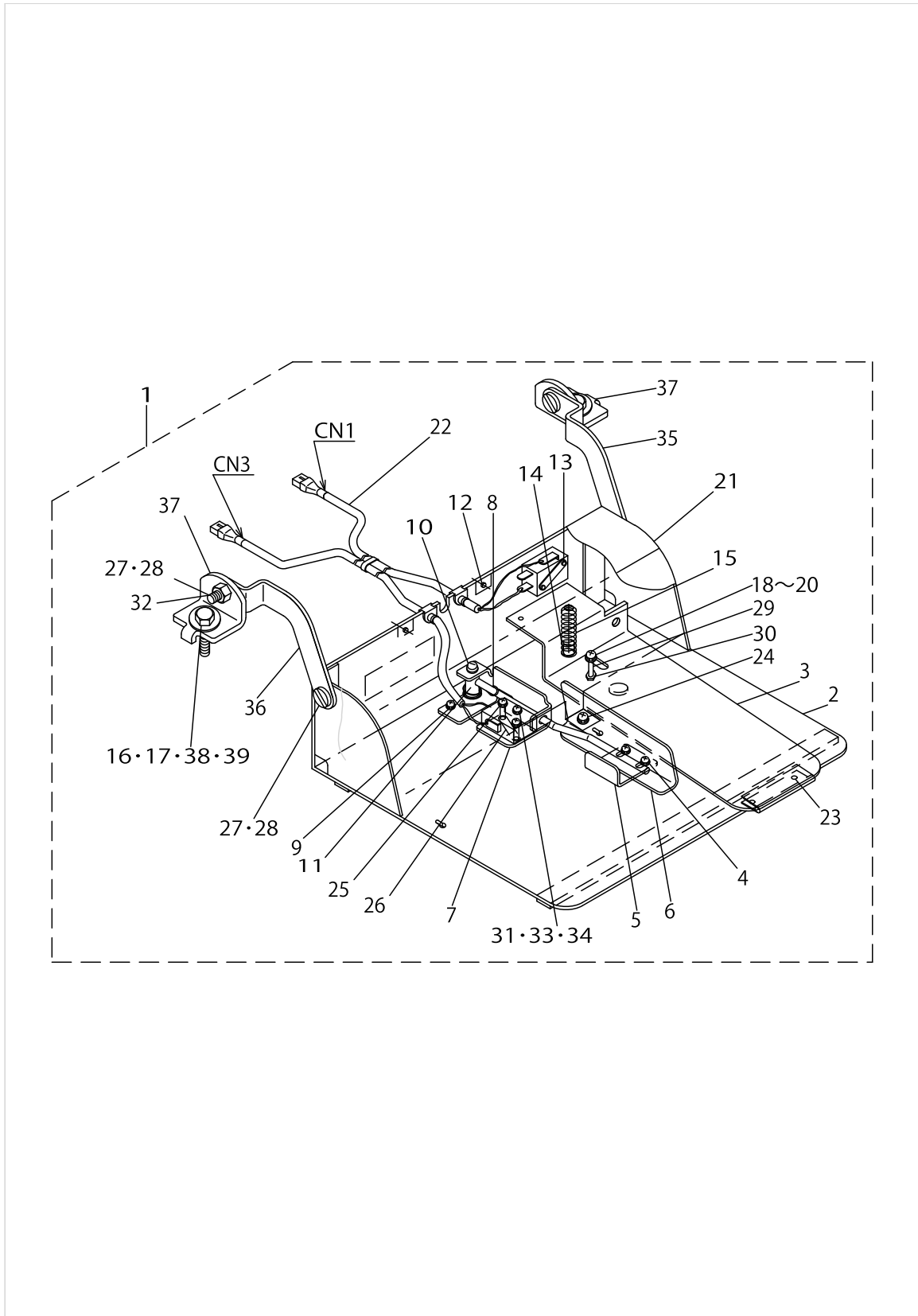
STAND & TABLE COMPONENTS



STAND & TABLE COMPONENTS

No.	Parts No.	Parts name	Remarks	Level	Cons	Qty
48	SK3311600SC	WOOD SCREW D=3.1 L=16				6
49	D8204555D00	DRAWER STOPPER				3
50	MAO11532000	CORD STAPLE				6
51	HX00150000R	CABLE CLAMP				1
52	SK3452500SC	WOOD SCREW D=4.5 L=25				1
53	HX00150000A	CABLE CLAMP				1
54	SL4040891SC	SCREW M4 L=8				1
55	EA9500B0100	CABLE BAND				1
56	GPK620010B0	2-JOINT PEDAL ASM.				1
57	WP0561616SC	WASHER 5.6X16X1.6	FOR JE			2
58	25014903	BELT COVER				1
59	SK3311600SC	WOOD SCREW D=3.1 L=16				1
60	WP0430801SC	WASHER 4.3X9X0.8				1
61	25018953	GROUND WIRE ASM.				1
62	E9561351000	CROUNING CORD, GREEN YELLOW		*		0.8
63	EA9564B0100	CRIMP STYLE TERMINAL		*		1
64	EA9564B0300	SOLDERLESS TERMINAL		*		1
65	17836404	BELT COVER	FOR EXPORT			1
66	SK3452500SC	WOOD SCREW D=4.5 L=25	FOR EXPORT			3
67	17833955	SWITCH PLATE ASM.	SELECTIV PART			1
68	17833807	STAND INSTALLING PLATE	SELECTIV PART			1
69	16258402	HINGE	SELECTIV PART			1
70	16115354	SPEED CONTROL SWITCH ASM.	SELECTIV PART			1
71	SL4040891SC	SCREW M4 L=8	SELECTIV PART			6
72	WP0871602SE	WASHER 8.7X18X1.6	SELECTIV PART			4
73	SM9082023SE	SCREW M8 L=20	SELECTIV PART			2
74	NM6080721SE	NUT M8	SELECTIV PART			2
75	WS0861410KR	SPRING WASHER 8.6X15X1.4	SELECTIV PART			2
76	SS4110615SP	SCREW 11/64-40 L=6	SELECTIV PART			2
77	GAK320010B0	LIFTER KNEE SWITCH ASM. B	SELECTIV PART			1
78	GAK320010A0	LIFTER KNEE SWITCH ASM. A		*		1
79	MAT80230T00	KNEE SWITCH SUPPORT BASE		*		2
80	MAT80231T00	DRIVING BAR, T002		*		1
81	MAT80232T00	KNEE SWITCH SUPPORT PLATE		*		1
82	SS6151220SP	SCREW 15/64-28 L=11.5		*		4
83	SS7110710SL	SCREW 11/64-40 L=7.0		*		4
84	SS7111410SP	SCREW 11/64-40 L=14		*		2
85	WP0480856SP	WASHER 4.8X8.4X0.8		*		4
86	MAI15040000	2-POLE PLUG	SELECTIV PART			1
87	MAT81126T00	2-POLE PLUG COVER	SELECTIV PART			1
88	SK3514000SC	WOOD SCREW D=5.1 L=40	SELECTIV PART			2
89	EA9500B0100	CABLE BAND	SELECTIV PART			2
90	CM500100001	CE MARKING LABEL	FOR JE			1
91	B821021000B	MOTOR PULLEY COVER (A)	FOR JE			1
92	B821121000B	MOTOR PULLEY COVER (B)	FOR JE			1
93	SL4040691SC	SCREW M4 L=6	FOR JE			6
94	SK3552500SC	WOOD SCREW D=5.5 L=25	FOR JE			2

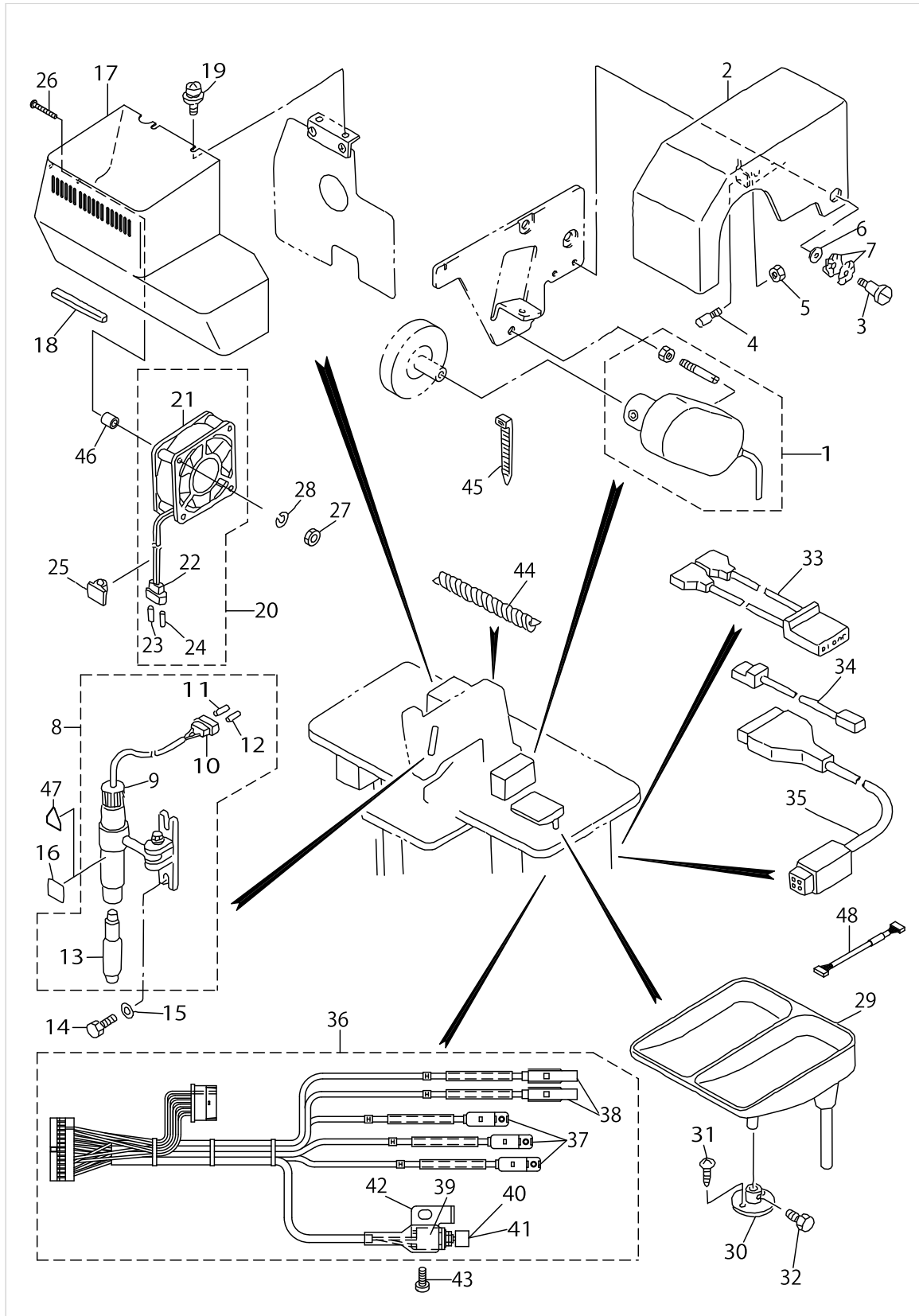
2-JOINT PEDAL COMPONENTS



2-JOINT PEDAL COMPONENTS

No.	Parts No.	Parts name	Remarks	Level	Cons	Qty
1	GPK620010B0	2-JOINT PEDAL ASM.				1
2	GPK620010A0	PEDAL BASE ASM.		*		1
3	GPK260030AA	PEDAL		*		1
4	SL4040891SC	SCREW M4 L=8		*		2
5	GPK2600800A	THREAD CUTTER SWITCH STOPPER,W		*		1
6	GPK2600700A	THREAD CUTTER SWITCH LEVER, W		*		1
7	GPK26009000	SWITCH BASE		*		1
8	GPK26011000	SWITCH SPRING		*		1
9	SL4040891SC	SCREW M4 L=8		*		1
10	SS4111215SP	SCREW 11/64-40 L=12		*		1
11	GPK26010000	SWITCH SHAFT		*		1
12	SL4040691SC	SCREW M4 L=6		*		3
13	SL4031691SC	SCREW M3 L=16		*		2
14	11102308	MICRO SWITCH PLATE		*		1
15	GPK14013000	PEDAL SPRING		*		1
16	WS0861410KR	SPRING WASHER 8.6X15X1.4		*		2
17	NM6080721SE	NUT M8		*		2
18	SL4042591SC	SCREW M4 L=25		*		1
19	GHP03537000	WASHER		*		1
20	WP0430801SC	WASHER 4.3X9X0.8		*		1
21	GPK62002000	SWITCH COVER		*		1
22	GPK620030B0	SWITCH CABLE ASM.		*		1
23	SL4030691SC	SCREW M3X6		*		2
24	WP0430801SC	WASHER 4.3X9X0.8		*		1
25	SL4031691SC	SCREW M3 L=16		*		2
26	11102308	MICRO SWITCH PLATE		*		1
27	SM9081620SE	SCREW M8 L=16		*		4
28	NM6080002SE	NUT M8		*		4
29	GPK26026000	SWITCH PEDAL GUIDE COLLAR		*		1
30	NM6040003SC	NUT M4		*		1
31	SM4041201SC	SCREW M4 L=12		*		1
32	GPK26022000	JOINT FITTING COLLAR		*		4
33	NM6040003SC	NUT M4		*		1
34	GPK26028000	SWITCH BASE COLLAR		*		1
35	GPK1800600AA	PEDAL BASE JOINT, RIGHT		*		1
36	GPK1800700AA	PEDAL BASE JOINT, LEFT		*		1
37	11159001	PEDAL SHAFT BRACKET		*		2
38	SM9082023SE	SCREW M8 L=20		*		2
39	WP0871602SE	WASHER 8.7X18X1.6		*		4

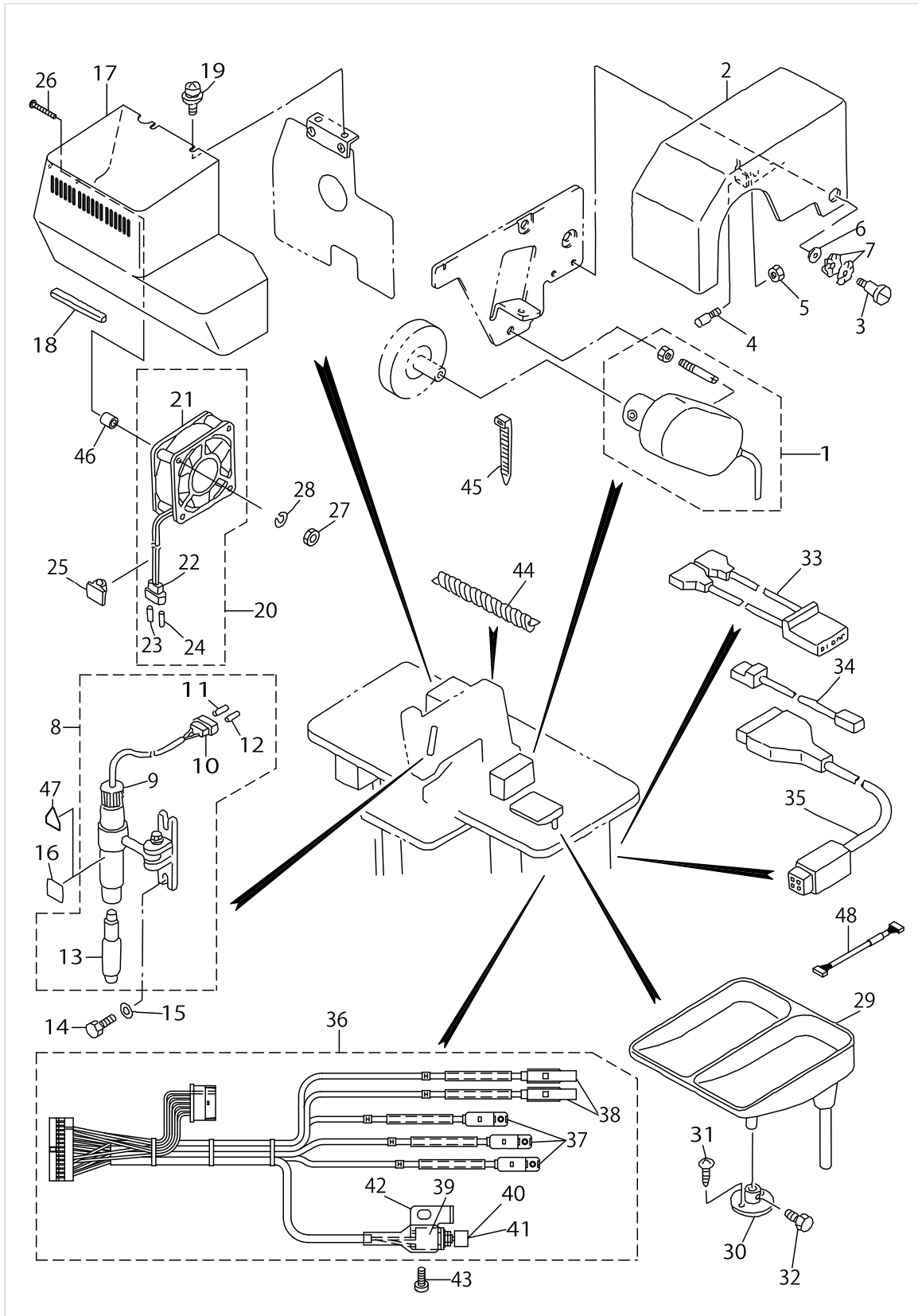
MISCELLANEOUS COVER & CORD COMPONENTS



MISCELLANEOUS COVER & CORD COMPONENTS

No.	Parts No.	Parts name	Remarks	Level	Cons	Qty
1	25019365	CYNCHRONIZER ASM.				1
2	17836206	HAND WHEEL COVER				1
3	SD0791051SP	HINGE SCREW D= 7.94 H=10.5				1
4	B1120372000	SCREW STUD				1
5	NS6150430SP	NUT 15/64-28				1
6	WP08416000E	WASHER 8.4X15.5X1.6				1
7	WZ0850302K0	WAVED WASHER 8.5X12.5X0.3				2
8	17841958	MARKING LIGHT ASM.				1
9	HE000150000	LIGHT		*		1
10	MAI15040000	2-POLE PLUG		*		1
11	D6042555B00	PIN TERMINAL, FEMALE		*		1
12	D6043555B00	PIN TERMINAL, MALE		*		1
13	16450702	MARKING LAMP		*		1
14	SM9061403SC	SCREW M6 L=14				2
15	WP0611626SP	WASHER 15X6X1.6				2
16	17836305	LABEL	FOR EXPORT			1
17	25012600	X-Y COVER				1
18	HX002230000	ADJUSTABLE BUSH				0.13
19	SL4051091SC	SCREW M5X0.8 L=10				4
20	17842055	MOTOR PAN ASM.				1
21	HM000550000	FAN		*		1
22	MAI15040000	2-POLE PLUG		*		1
23	D6043555B00	PIN TERMINAL, MALE		*		1
24	D6042555B00	PIN TERMINAL, FEMALE		*		1
25	HX002350000	CABLE CLAMP				1
26	SM4043601SN	SCREW M4X0.7 L=36				2
27	NM6040001SC	NUT M4				2
28	WS0410002KN	SPRING WASHER				2
29	17848458	BUTTON TRAY ASM.				1
30	17848508	BUTTON TRAY BASE				1
31	SK3412000SC	WOOD SCREW D=4.1 L=20				2
32	SS9151210TP	SCREW 15/64-28 L=11.8				1
33	M85305110A0	PULSE MOTOR CORD ASM.				1
34	17978453	MOTOR FAN CORD ASM.				1
35	M85225110A0	CLUTCH BRAKE CORD ASM.				1
36	25013251	CYLINDER SENSOR ASM.				1
37	PX060003000	AUTO SWITCH		*		3
38	PX060010000	AUTO-SWITCH		*		2
39	HA002470000	PUSH SWITCH		*		1
40	HA00247001A	SWITCH PARTS		*		1
41	HA00247001B	SWITCH PARTS	FOR JE	*		1
42	25013202	PLATE		*		1
43	SS6111010SP	SCREW 11/64-40 L= 9.5				1
44	HX001890000	SPIRAL TUBE				0.2
45	EA9500B0100	CABLE BAND				3
46	11528809	WASHER				2
47	CM300500001	SEAL	FOR DOMESTIC USE			1

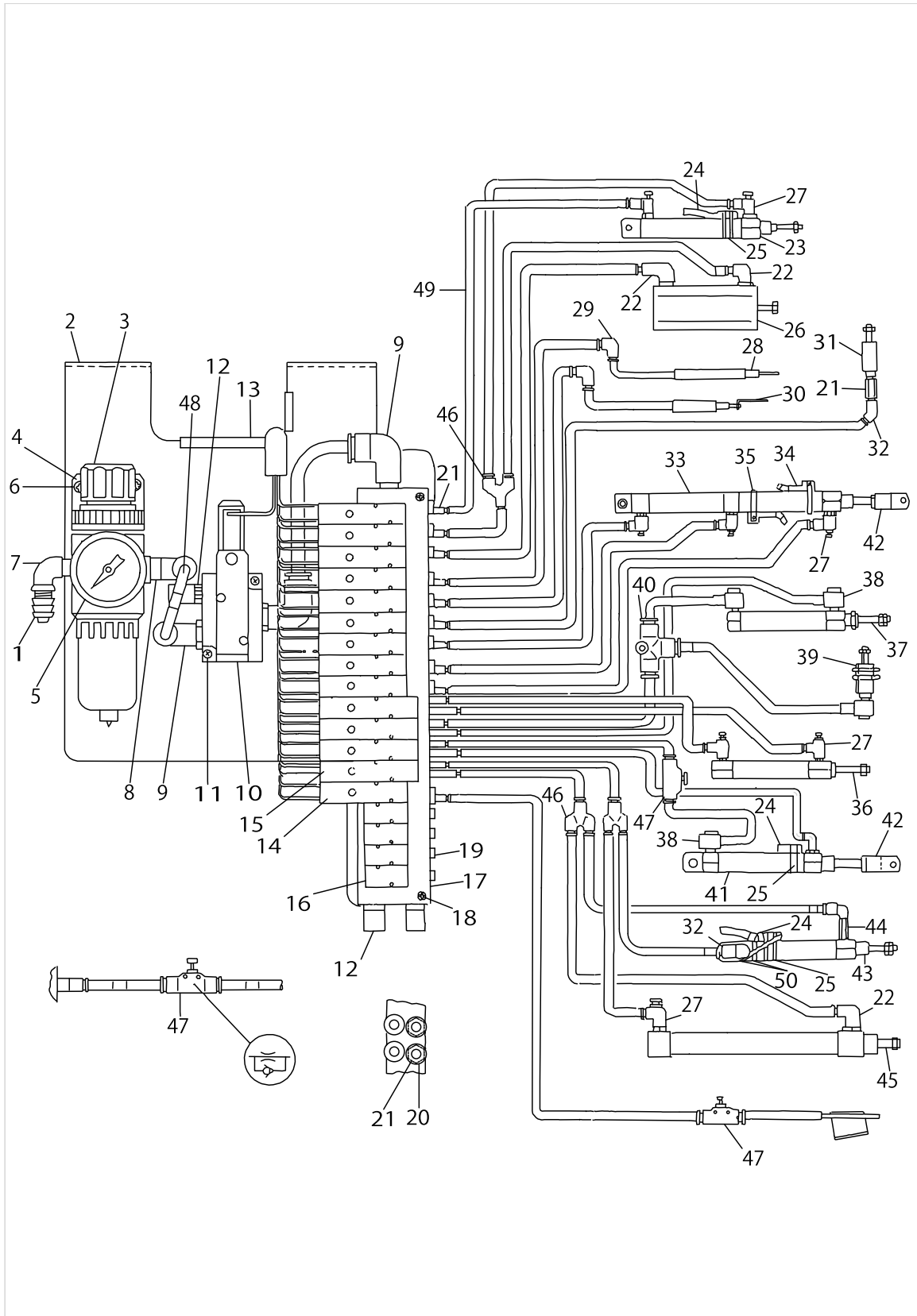
MISCELLANEOUS COVER & CORD COMPONENTS



MISCELLANEOUS COVER & CORD COMPONENTS

No.	Parts No.	Parts name	Remarks	Level	Cons	Qty
48	25339052	ACTUATOR CABLE ASM.				1

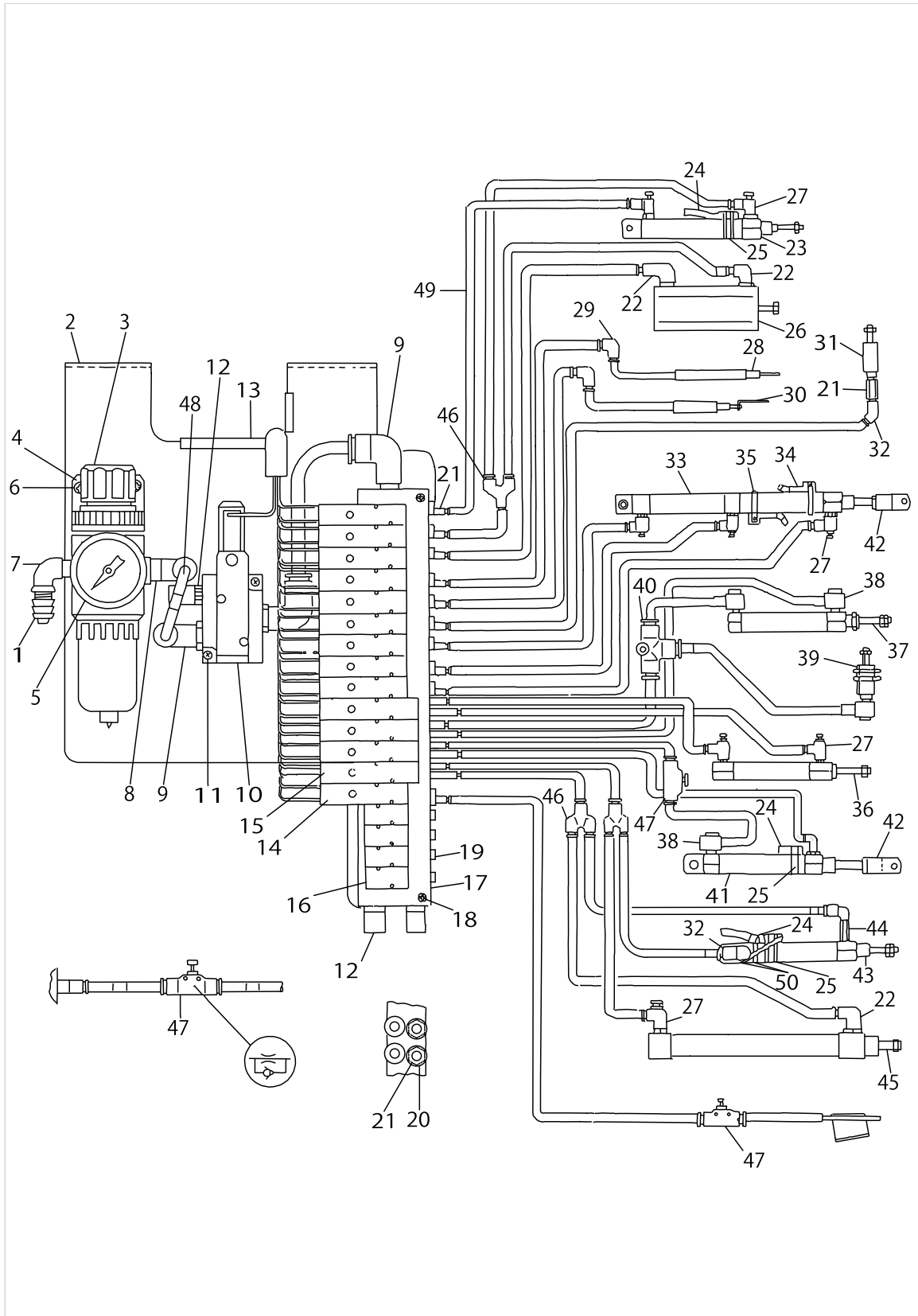
PNEUMATIC COMPONENTS



PNEUMATIC COMPONENTS

No.	Parts No.	Parts name	Remarks	Level	Cons	Qty
1	F1021003000	HOSE JOINT				1
2	17839507	PANEL				1
3	PF025204000	FILTER REGULTOR				1
4	PF905003000	BRACKET				1
5	PF065102000	PRESSURE GAUGE				1
6	SL4040891SC	SCREW M4 L=8				2
7	PJ042520002	ELBOW				1
8	PJ304065201	ELBOW UNION 6XPT1/4				1
9	PJ304065101	ELBOW UNION 6XPT1/8				3
10	PV135113000	SOLENOID VALVE				1
11	SL4043091SC	SCREW M4 L=30				2
12	PX055103000	SILENCER				3
13	HX00223000A	BUSHING				0.1
14	PV130517000	SOLENOID VALVE				10
15	PV150517000	SOLENOID VALVE				4
16	17972357	BLANKING PLATE				4
17	PV030514000	MANIFOLD				1
18	SL4043091SC	SCREW M4 L=30				2
19	PJ020500002	PLUG				18
20	PJ301040505	HALF UNION				18
21	PJ010505001	JOINT				5
22	PJ304040504	ELBOW UNION				3
23	PA1503007A0	WORKPIECE PRESSER CYLINDER				1
24	PX060003000	AUTO SWITCH				3
25	PX500043000	BAND				3
26	PA0601505A0	CYLINDER				1
27	PC010507000	SPEED CONTROLLER				8
28	PA0502401A0	CYLINDER				1
29	PJ304040001	ELBOW				2
30	PA0401001A0	CYLINDER				1
31	PA100152300	CYLINDER				1
32	PJ309040501	ELBOW UNION				2
33	PA1603101A0	AIR CYLINDER				1
34	PX060010000	AUTO-SWITCH				2
35	PX5000480A0	SWITCH FITTING METAL				2
36	PA1005501A0	CYLINDER				1
37	PA1003012A0	CYLINDER				1
38	PJ042050002	ELBOW				4
39	PA1000506A0	CYLINDER				1
40	PJ305040001	TEE UNION				1
41	PA1501009A0	CYLINDER				1
42	PX500020000	KNUCKLE JOINT				2
43	PA1504001A0	CYLINDER				1
44	PJ304040507	LONG ELBOW UNION				1
45	PA1008003A0	CYLINDER				1
46	PJ308040002	QUICK COUPLING				3
47	PC012401000	SPEED CONTROLLER				2

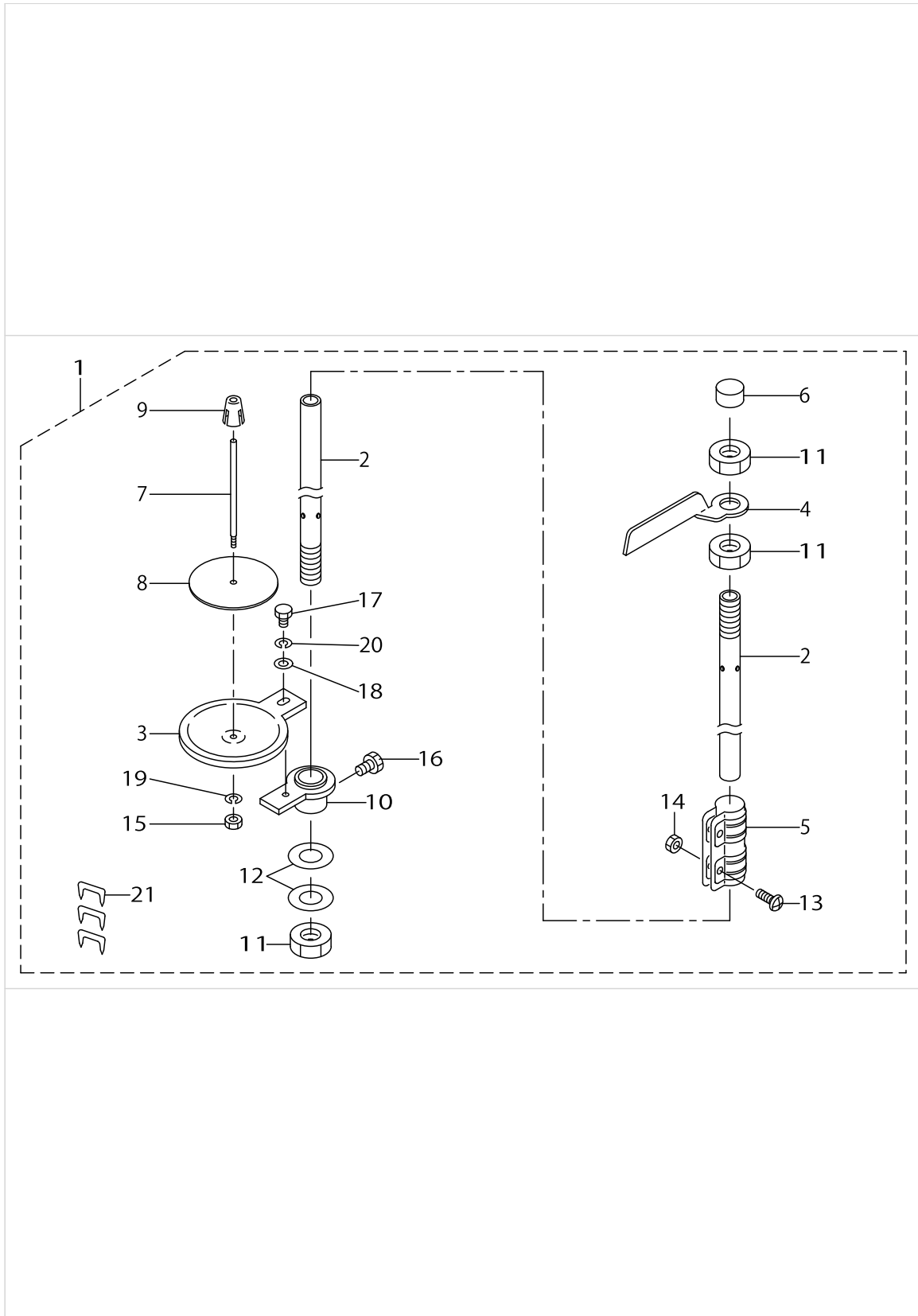
PNEUMATIC COMPONENTS



PNEUMATIC COMPONENTS

No.	Parts No.	Parts name	Remarks	Level	Cons	Qty
48	BT0600401EB	TUBE				0.2
49	BT0400251EB	URETHANE HOSE, BLACK				26.5
50	EA9500B0200	CABLE BAND 150				2

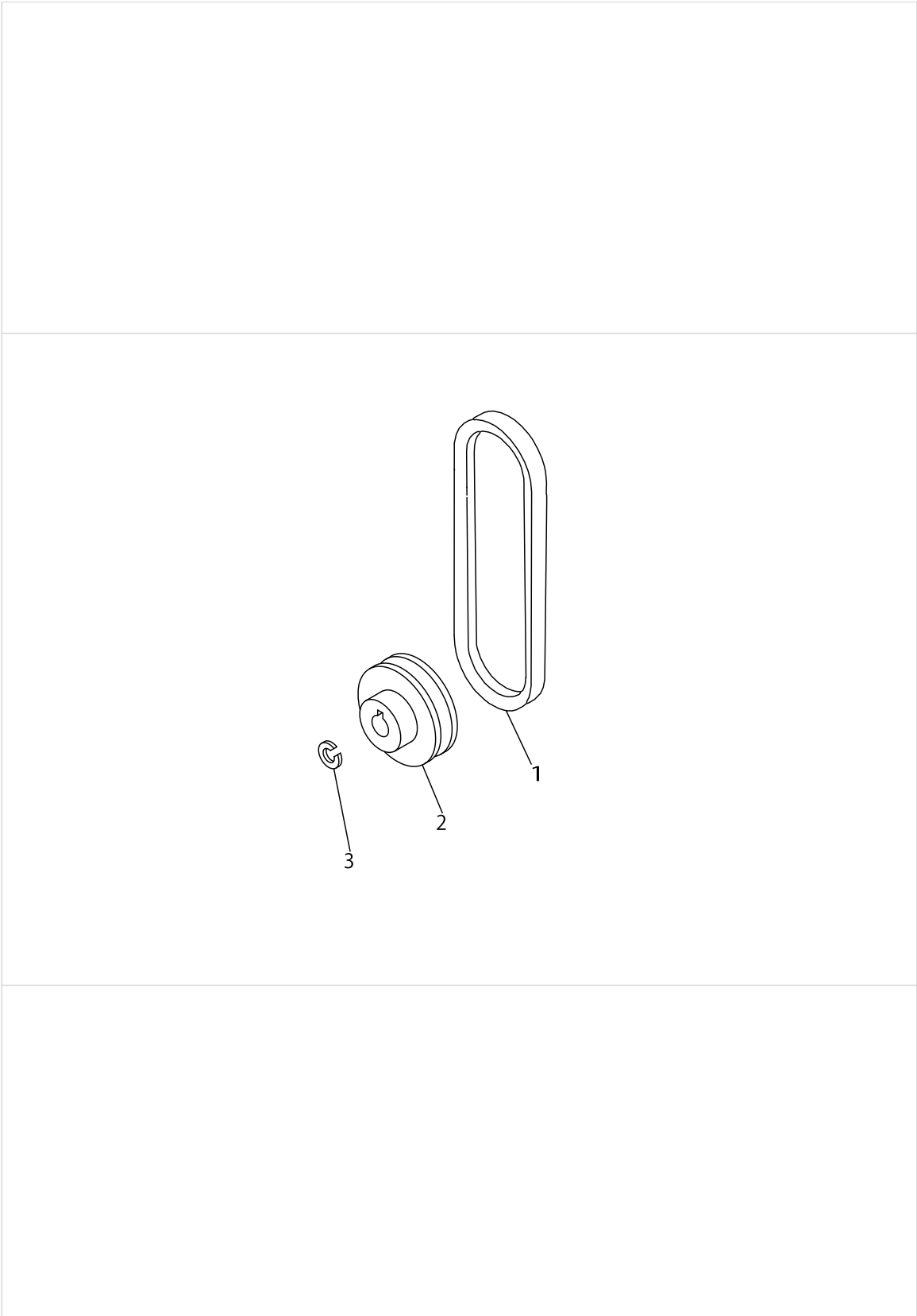
THREAD STAND COMPONENTS



THREAD STAND COMPONENTS

No.	Parts No.	Parts name	Remarks	Level	Cons	Qty
1	B33011800AA	THREAD STAND ASM.				1
2	11185105	SPOOL REST ROD,LOWER		*		2
3	B3303180000	SPOOL REST		*		1
4	B3307704000	THREAD GUIDE A		*		1
5	B3305704000A	SPOOL REST ROD JOINT		*		1
6	B3311704000	SPOOL REST ROD CAP		*		1
7	B3320704L00A	SPOOL PIN		*		1
8	B3311012000	SPOOL REST CUSHION		*		1
9	11185501	SPOOL RETAINER		*		1
10	D3302772T00	SPOOL REST BRACKET		*		1
11	B3317704000	NUT		*		3
12	WP1612616SE	WASHER 16X30X2.6		*		2
13	SM4051405SE	SCREW M5 L=14		*		2
14	NM6050001SE	NUT M5		*		2
15	NM6050001SE	NUT M5		*		1
16	SM9061080SE	SCREW M6 L=10		*		1
17	SM9050813SE	SCREW M5X0.8 L=8		*		1
18	WP0520656SA	WASHER 5.2X9.5X0.6		*		1
19	WS0510002KN	SPRING WASHER		*		1
20	WS0521010KN	SPRING WASHER 5.2X8.2X1		*		1
21	MAO11532000	CORD STAPLE		*		3

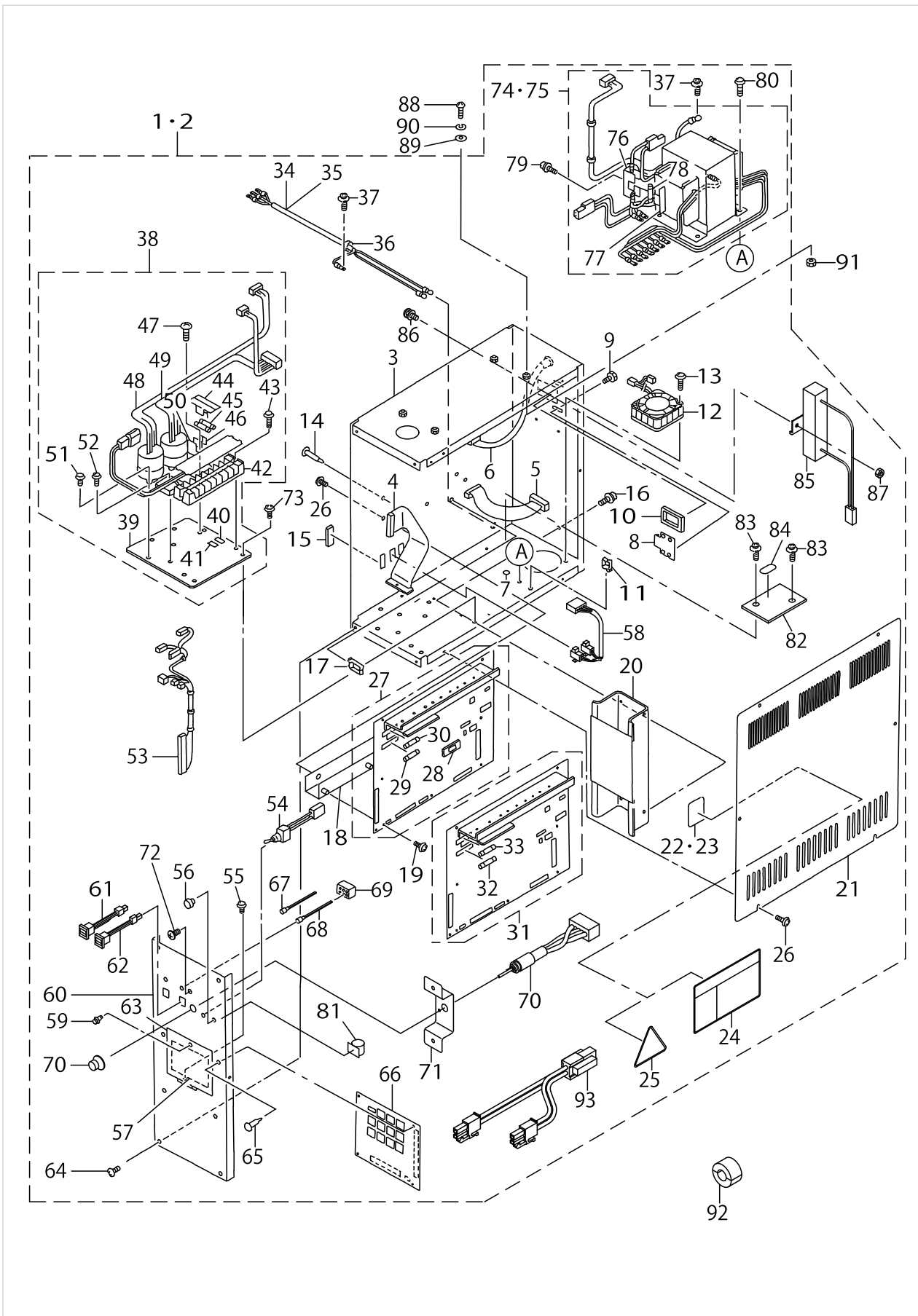
MOTOR PULLEY COMPONENTS



MOTOR PULLEY COMPONENTS

No.	Parts No.	Parts name	Remarks	Level	Cons	Qty
1	MTJVM003500	V-BELT, 35 INCH				1
2	MTSP0055000A	MOTOR PULLEY				1
3	WS1002560KR	SPRING WASHER 10X18X2.5				1

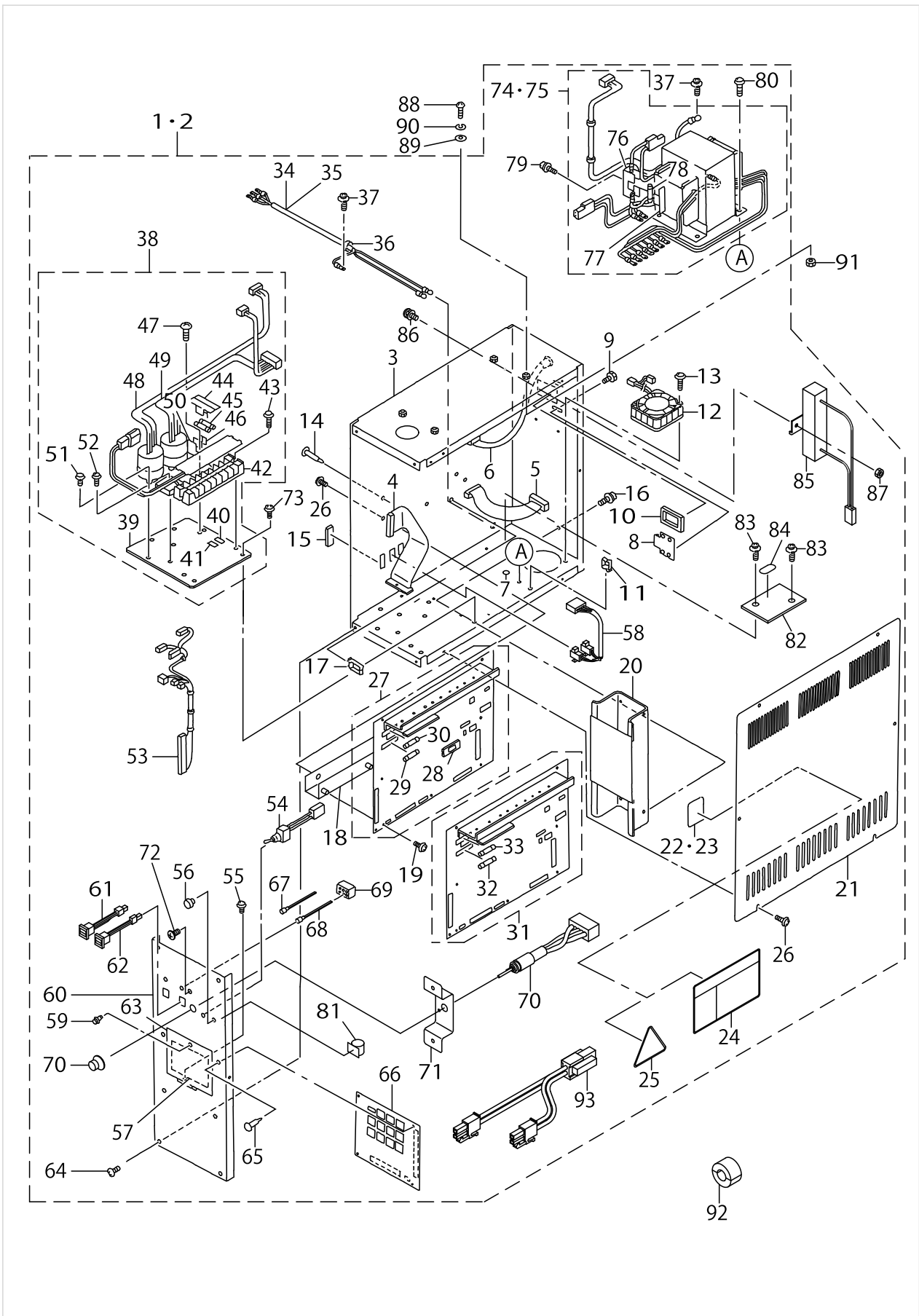
CONTROL BOX COMPONENTS



CONTROL BOX COMPONENTS

No.	Parts No.	Parts name	Remarks	Level	Cons	Qty
1	25339151	CONTROL BOX A ASM.	FOR 100,110,120,200,220,240V			1
2	25340050	CONTROL BOX B ASM.	FOR 220,240,380,415,440V			1
3	G1001192000	CONTROL BOX FRAME BODY		*		1
4	17840455	PANEL SIGNALING CORD ASM.		*		1
5	M85215110A0	PMDC CORD ASM.		*		1
6	M85235110A0	SYNCHRONIZER CORD ASM.		*		1
7	E9567319000	EARTH MARK		*		1
8	17845009	CORD FITTING PLATE		*		1
9	SM9040803SF	SCREW M4X8		*		2
10	HX004070000	BUSH		*		1
11	HX00222000A	CABLE CLAMP		*		3
12	17977752	BOX FAN ASM.		*		1
13	SL4043291SC	SCREW M4X0.7 L=32		*		2
14	HX00408000A	BOARD PARTS		*		4
15	M3011110000	PLUG		*		1
16	SL4030891SC	SCREW M3X8		*		4
17	HX00222000B	CABLE CLAMP		*		2
18	M1002519000	CPU BOARD BRACKET		*		1
19	SL4030691SC	SCREW M3X6		*		3
20	M86025110A0	P.C BOARD ASM.		*		1
21	G10031920A0	CONTROL BOX COVER ASM.		*		1
22	M300551100A	SEAL A	FOR 100,110,120,200,220,240V	*		1
23	M300551100B	SEAL B	FOR 220,240,380,415,440V	*		1
24	CM300100101	DANGER LABEL (SMALL)	FOR DOMESITC USE	*		1
25	CM300100001	LABEL	FOR EXPORT	*		1
26	SL4041091SC	SCREW M4 L=10		*		8
27	25339359	CPU CIRCUIT BOARD COMPL.		*		1
28	HL010520178	IC		*		1
29	E9613601000	FUSE 2A		*		1
30	E9672452000	FUSE 3A		*		1
31	25015363	CPU CIRCUIT BOARD ASM.		*		1
32	E9613601000	FUSE 2A		*		1
33	E9672452000	FUSE 3A		*		1
34	17844754	AC POWER SOURCE CORD ASM.		*		1
35	25019050	AC POWER SOURCE CORD ASM.	FOR JE	*		1
36	HX004100000	BUSH		*		1
37	SL4040691SC	SCREW M4 L=6		*		2
38	M85195110A0	POWER PLATE ASM.		*		1
39	M1020511000	POWER PLATE		*		1
40	M952017100A	FUSE SEAL F1		*		1
41	M952017100B	FUSE SEAL F2		*		1
42	HK026650080	TERMINAL BASE 8P		*		1
43	SL4041081SC	SCREW M4 L=10		*		2
44	HF00511000B	FUSE HOLDER COVER		*		2
45	HF001400700	TIME LAG FUSE 7A		*		2
46	HF005111000	FUSE HOLDER		*		1
47	SL4031281SC	SCREW M3 L=12		*		2

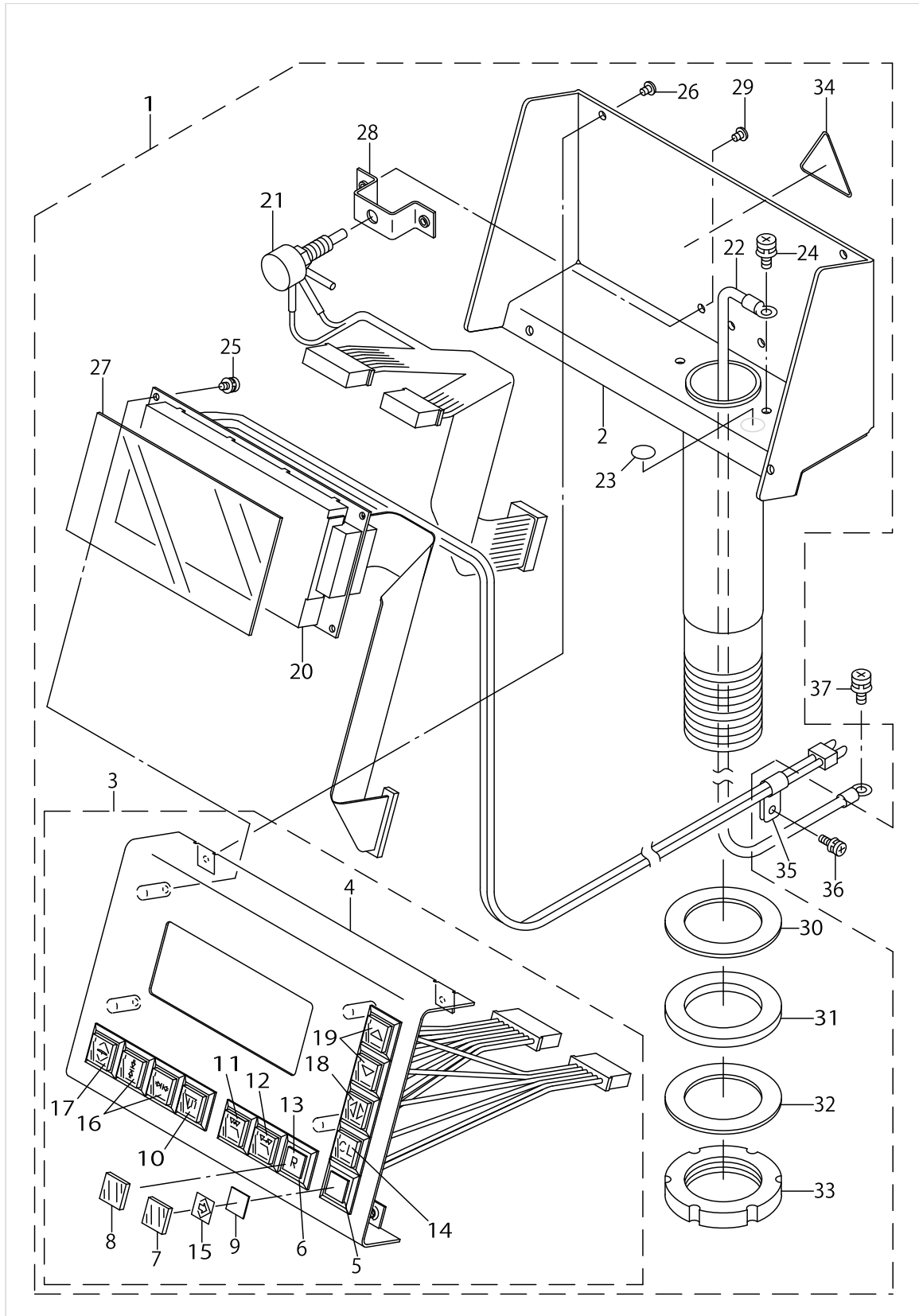
CONTROL BOX COMPONENTS



CONTROL BOX COMPONENTS

No.	Parts No.	Parts name	Remarks	Level	Cons	Qty
48	M85255110A0	SOLENOID POWER SOURCE ASM.		*		1
49	M85265110A0	PMDC POWER SOURCE ASM.		*		1
50	HF00511100A	FUSE HOLDER		*		1
51	SL4030891SC	SCREW M3X8		*		4
52	SL4041691SC	SCREW M4 L=16		*		2
53	25015652	SWITCH CONNECTOR ASM.		*		1
54	17978057	SWITCH ASM.		*		1
55	SL4030691SC	SCREW M3X6		*		2
56	TA0750404R0	PLUG D=7.5 L=3.5		*		1
57	25340209	SEAL		*		1
58	25015553	CODE ASM.		*		1
59	M8808301000	NYLATCH		*		1
60	25339201	CONTROL BOX PANEL		*		1
61	17977950	SWITCH A ASM.		*		1
62	17841453	SWITCH ASM. B		*		1
63	17845108	PANEL COVER		*		1
64	SM0040601SC	SCREW M4X0.7 L=6		*		7
65	HX00269000D	SPACER		*		4
66	25015454	OPERATION CIRCUIT BOARD ASM.		*		1
67	17841156	LED (GREEN) ASM.		*		1
68	17841255	LED (ORANGE) ASM.		*		1
69	HK034610060	HOUSING 6P		*		1
70	25015751	SWITCH ASM.		*		1
71	25015801	SWITCH BRACKET		*		1
72	SM0030601SC	SCREW M3X0.5 L=6		*		2
73	SL4041091SC	SCREW M4 L=10		*		3
74	17840752	TRANSFORMER ASM. A	FOR 100,110,120,200,220,240V	*		1
75	17840851	TRANSFORMER ASM. B	FOR 220,240,380,415,440V	*		1
76	HF005111000	FUSE HOLDER		*		1
77	HF00511000B	FUSE HOLDER COVER		*		1
78	E9613601000	FUSE 2A		*		1
79	SL4041491SC	SCREW 4 X 14		*		1
80	SL4051091SC	SCREW M5X0.8 L=10		*		4
81	HX002350000	CABLE CLAMP		*		2
82	M1004519000	GROUND PLATE B	FOR JE	*		1
83	SL4041081SC	SCREW M4 L=10	FOR JE	*		2
84	CM200100001	PE MARK LABEL	FOR JE	*		1
85	M85064350A0	RADIATION RESISTANCE ASM.		*		1
86	SL4030891SC	SCREW M3X8		*		1
87	NM6030001SC	NUT M3		*		1
88	SM3065052TC	SCREW				4
89	WP0651001SC	WASHER				4
90	WS0610002KN	SPRING WASHER 6.1X12.2X1.5				4
91	NM6060001SC	NUT M6				4
92	HN001090000	CORE	FOR JE			2
93	25339458	SPM POWER SOURCE CABLE ASM.				1

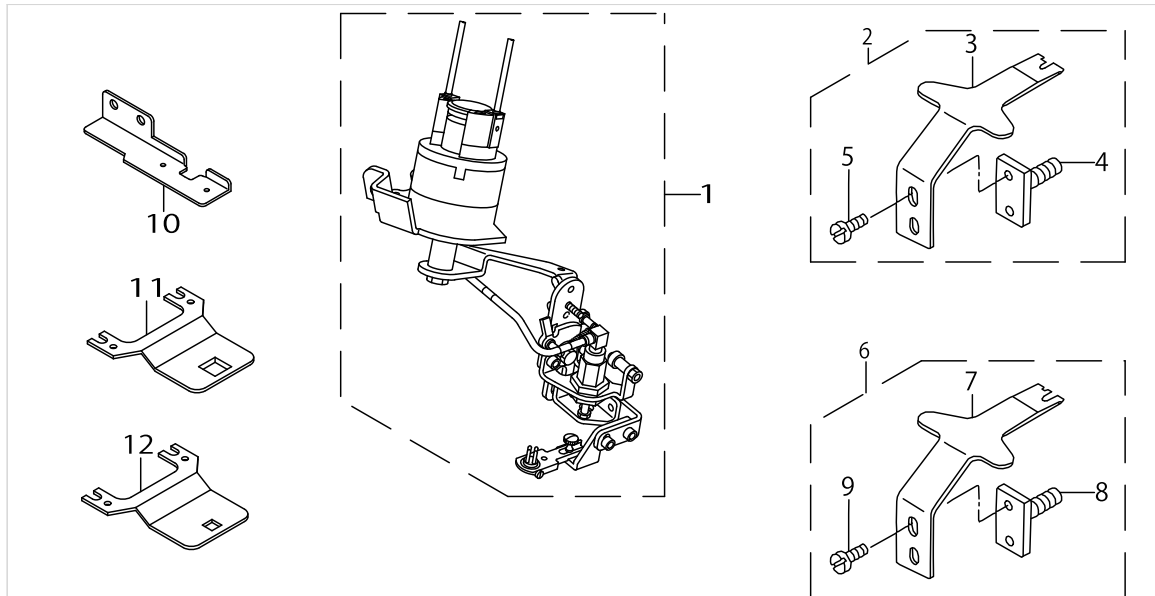
OPERATION BOX COMPONENTS



OPERATION BOX COMPONENTS

No.	Parts No.	Parts name	Remarks	Level	Cons	Qty
1	25339656	OPERATION BOX ASM.				1
2	25016254	OPERATION BOX ROD ASM.		*		1
3	25339755	OPERATION BOX FRONT COVER ASM.		*		1
4	25339805	OPERATION BOX FRONT COVER		*		1
5	HA00335000A	SWITCH		*		11
6	HA00335000B	SWITCH		*		1
7	HA003350030	SWITCH PARTS		*		11
8	HA00335003A	SWITCH PARTS		*		1
9	HA003350040	SWITCH PARTS		*		12
10	25016403	SHEET		*		1
11	25016502	SHEET		*		1
12	25016601	SHEET		*		1
13	25016700	SHEET		*		1
14	25016809	SHEET		*		1
15	25016908	SHEET		*		1
16	25017005	SHEET		*		2
17	25017104	SHEET		*		1
18	25017203	SHEET		*		1
19	25017302	SHEET		*		2
20	25017450	LCD ASM.		*		1
21	25017559	CONNECTOR ASM.		*		1
22	25017658	EARTH CABLE ASM.		*		1
23	E9567319000	EARTH MARK		*		1
24	SL4040891SC	SCREW M4 L=8		*		1
25	SL4030681SC	SCREW M3 L=6		*		4
26	SM5030501SC	SCREW M3 L=5		*		4
27	25017708	ACRYLIC PLATE		*		1
28	25017807	VOLUME INSTALLING PLATE		*		1
29	SM5030501SC	SCREW M3 L=5		*		2
30	M1075518000	WASHER		*		1
31	M1076510000	VIBRATION-PROOF RUBBER PAD		*		1
32	M1077510000	WASHER		*		1
33	M1078510000	NUT		*		1
34	CM300100001	LABEL		*		1
35	HX00150000A	CABLE CLAMP				2
36	SL4031091SC	SCREW M3 X 10				2
37	SL4040891SC	SCREW M4 L=8				1

OPTION COMPONENTS



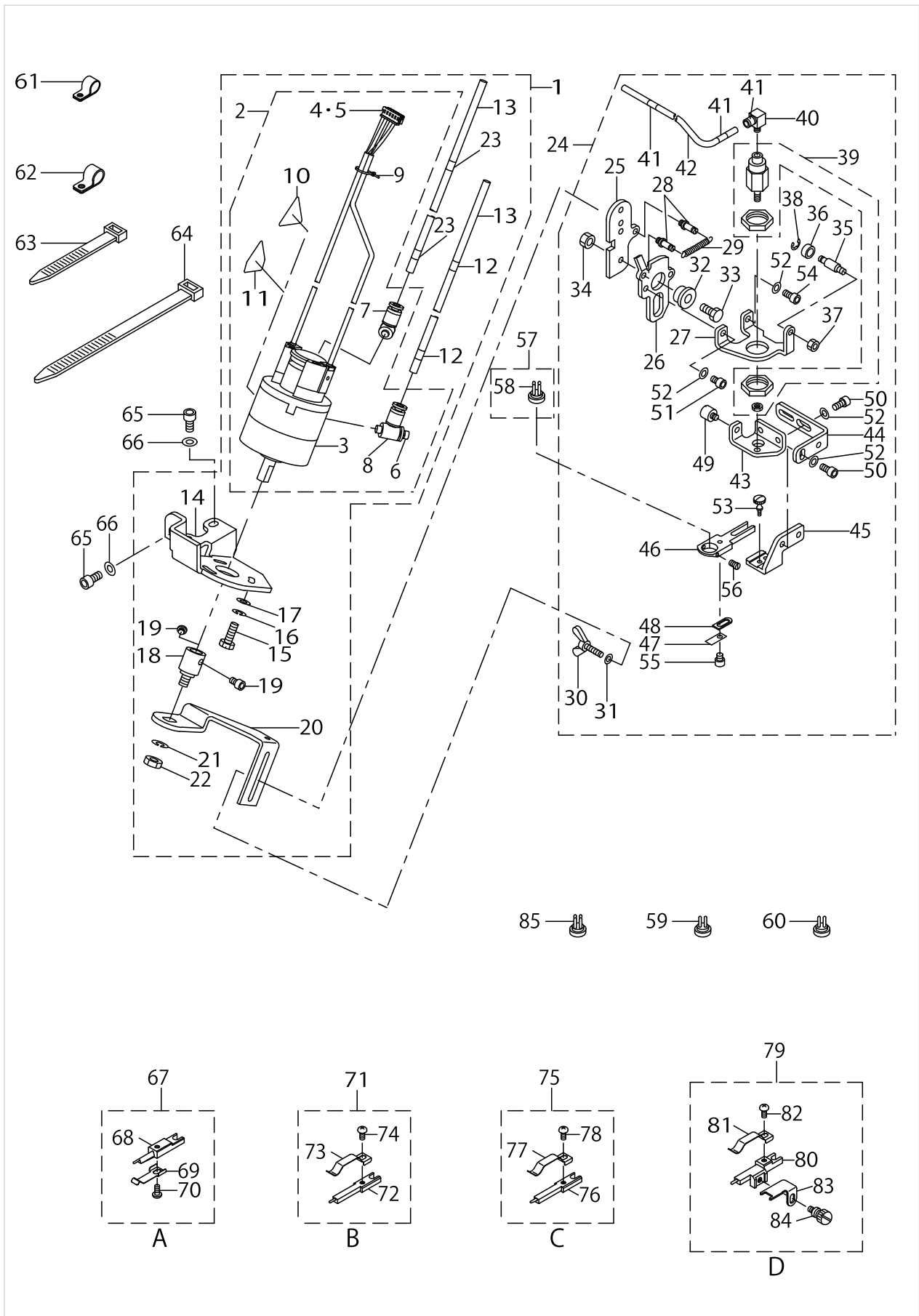
Button carrier(for 4-holed) ボタンキャリア (4つ穴用)											
1				2				3			
Mark 刻印	No	Part No. 品番	Size 寸法	Mark 刻印	No	Part No. 品番	Size 寸法	Mark 刻印	No	Part No. 品番	Size 寸法
A	13	17856600	a2.0 b1.0	D	16	17856907	a2.8 b1.2	K	23	17857608	a4.0 b1.4
B	14	17856709	a2.4 b1.2	E	17	17857004	a2.8 b1.4	K1	24	17857707	a4.0 b1.8
C	15	17856808	a2.6 b1.2	F	18	17857103	a3.0 b1.2	L	25	17857806	a5.0 b1.8
				F1	19	17857202	a3.0 b1.4				
				G	20	17857301	a3.2 b1.4				
				H	21	17857400	a3.4 b1.4				
				J	22	17857509	a3.6 b1.4				

Button carrier(for 2-holed) ボタンキャリア (2つ穴用)							
4				5			
Mark 刻印	No	Part No. 品番	Size 寸法	Mark 刻印	No	Part No. 品番	Size 寸法
M	26	17858002	a4.0 b1.0	U	33	17858705	a4.0 b1.4
N	27	17858101	a2.4 b1.2	V	34	17858804	a4.2 b1.4
P	28	17858200	a2.6 b1.2	W	35	17858903	a4.4 b1.4
Q	29	17858309	a2.8 b1.2	X	36	17859000	a4.6 b1.4
R	30	17858408	a3.0 b1.2	Y	37	17859109	a4.8 b1.4
S	31	17858507	a3.2 b1.4	Z	38	17859208	a5.0 b1.4
T	32	17858606	a3.4 b1.4				

OPTION COMPONENTS

No.	Parts No.	Parts name	Remarks	Level	Cons	Qty
1	25014069	LOADER ASM.				1
2	17966656	TANG ASM. (TRIANGLE 1.2MM)				1
3	17966607	TANG (TRIANGLE 1.2MM)		*		1
4	17823550	TANG INSTALLING PLATE ASM.		*		2
5	SS6110610TP	SCREW 11/64-40 L=6		*		2
6	17966458	TANG ASM. (TRIANGLE STITCH)				1
7	17966409	TANG (TRIANGLE STITCH)		*		1
8	17823550	TANG INSTALLING PLATE ASM.		*		1
9	SS6110610TP	SCREW 11/64-40 L=6		*		2
10	25005208	SUPPORT PLATE LOWER				1
11	17828906	SUPPORT PLATE LOWER (L BUTTON)				1
12	17829102	SUPPORT PLATE LOWER (S BUTTON)				1
13	17856600	BUTTON CARRIER				1
14	17856709	BUTTON CARRIER				1
15	17856808	BUTTON CARRIER				1
16	17856907	BUTTON CARRIER				1
17	17856907	BUTTON CARRIER	STANDARD TYPE			1
18	17857103	BUTTON CARRIER				1
19	17857202	BUTTON CARRIER				1
20	17857301	BUTTON CARRIER				1
21	17857400	BUTTON CARRIER	STANDARD TYPE			1
22	17857509	BUTTON CARRIER				1
23	17857608	BOTTON CARRIER				1
24	17857707	BOTTON CARRIER				1
25	17857806	BOTTON CARRIER				1
26	17858002	BOTTON CARRIER				1
27	17858101	BOTTON CARRIER				1
28	17858200	BOTTON CARRIER				1
29	17858309	BOTTON CARRIER				1
30	17858408	BOTTON CARRIER				1
31	17858507	BUTTON CARRIER				1
32	17858606	BUTTON CARRIER	STANDARD TYPE			1
33	17858705	BOTTON CARRIER				1
34	17858804	BUTTON CARRIER	STANDARD TYPE			1
35	17858903	BOTTON CARRIER				1
36	17859000	BOTTON CARRIER				1
37	17859109	BOTTON CARRIER				1
38	17859208	BOTTON CARRIER				1

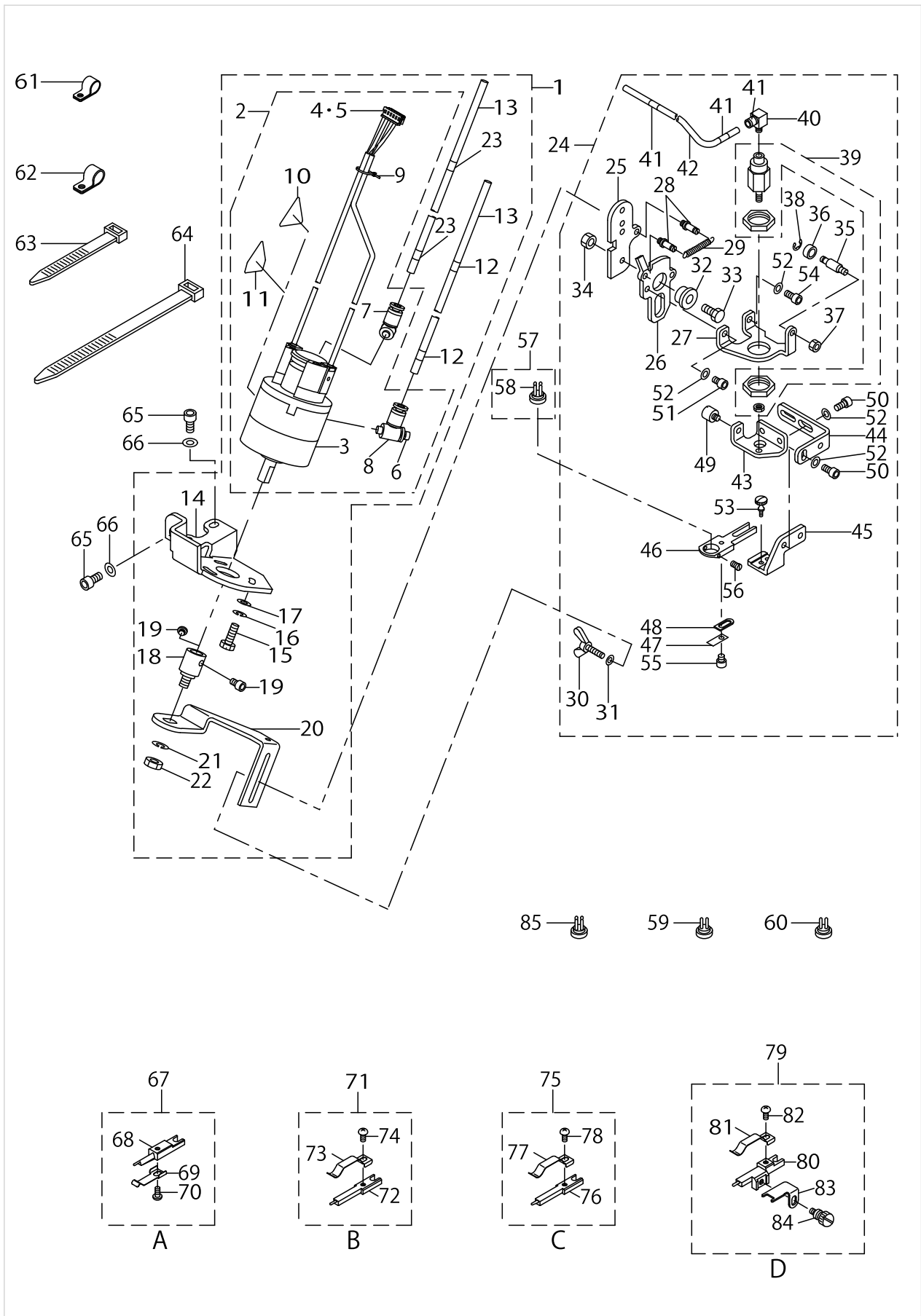
BUTTON LODER COMPONENTS (1)



BUTTON LODER COMPONENTS (1)

No.	Parts No.	Parts name	Remarks	Level	Cons	Qty
1	25014051	LOADER UNIT (A)				1
2	25014655	ROTARY ACTUATOR ASM.		*		1
3	PA8000140B0	ROTARY ACTUATOR		*		1
4	HK028910060	HOUSING 6P		*		1
5	HK029040000	PIN TERMINAL		*		6
6	PC010508000	SPEED CONTROLLER		*		2
7	18038208	WIRE MARK (33)		*		1
8	18038505	WIRE MARK (36)		*		1
9	EA9500B0100	CABLE BAND		*		1
10	CM300200003	ATTENTION LABEL	FOR EXPORT	*		1
11	CM3002000B3	LABEL,,(31.5)	FOR DOMESTIC USE	*		1
12	18038505	WIRE MARK (36)		*		2
13	BT0400251EB	URETHANE HOSE, BLACK		*		3.4
14	25014002	LOADER CYLINDER FITTING PLATE		*		1
15	SM9051450SC	SCREW M5X0.8 L=14		*		3
16	WP0531000SC	WASHER 5.3X10X1		*		3
17	WS0510002KN	SPRING WASHER		*		3
18	17973108	LOADER LINK SHAFT		*		1
19	SM6040602TP	SCREW M4 L=6		*		2
20	25014101	LOADER LINK A		*		1
21	NM6060001SC	NUT M6		*		1
22	WS0610002KN	SPRING WASHER 6.1X12.2X1.5		*		1
23	18038208	WIRE MARK (33)		*		2
24	25014259	LOADER UNIT (B)				1
25	17850306	LOADER LINK B		*		1
26	17850405	LOADER LINK C		*		1
27	17850504	FITTING PLATE		*		1
28	17850603	SPRING PACK SHAFT		*		2
29	17850702	LOADER LINK SPRING		*		1
30	17974809	THUMBSCREW		*		1
31	WP0501046SC	WASHER 5 X 13 X 1		*		1
32	SB105001100	ROLL SHAFT HOLDER		*		1
33	SD0500356TP	STEP-SCREW		*		1
34	NM6050002SC	NUT M5		*		1
35	17850801	BEARING FITTING SHAFT		*		1
36	SB104000300	BUSHING		*		1
37	NM6040001SC	NUT M4		*		1
38	RE0300000K0	E-RING 3		*		1
39	PA1000506A0	CYLINDER		*		1
40	PJ046052503	HOSE ELBOW		*		1
41	18038109	WIRE MARK (32)		*		3
42	BT0400251EB	URETHANE HOSE, BLACK		*		2
43	17851007	LOADER LINK D		*		1
44	17851106	LOADER LINK E		*		1
45	25014200	LOADER LINK F		*		1
46	17851304	BUTTON CARRIER FITTING BASE		*		1
47	17851403	BUTTON CARPIER SPACER A		*		1

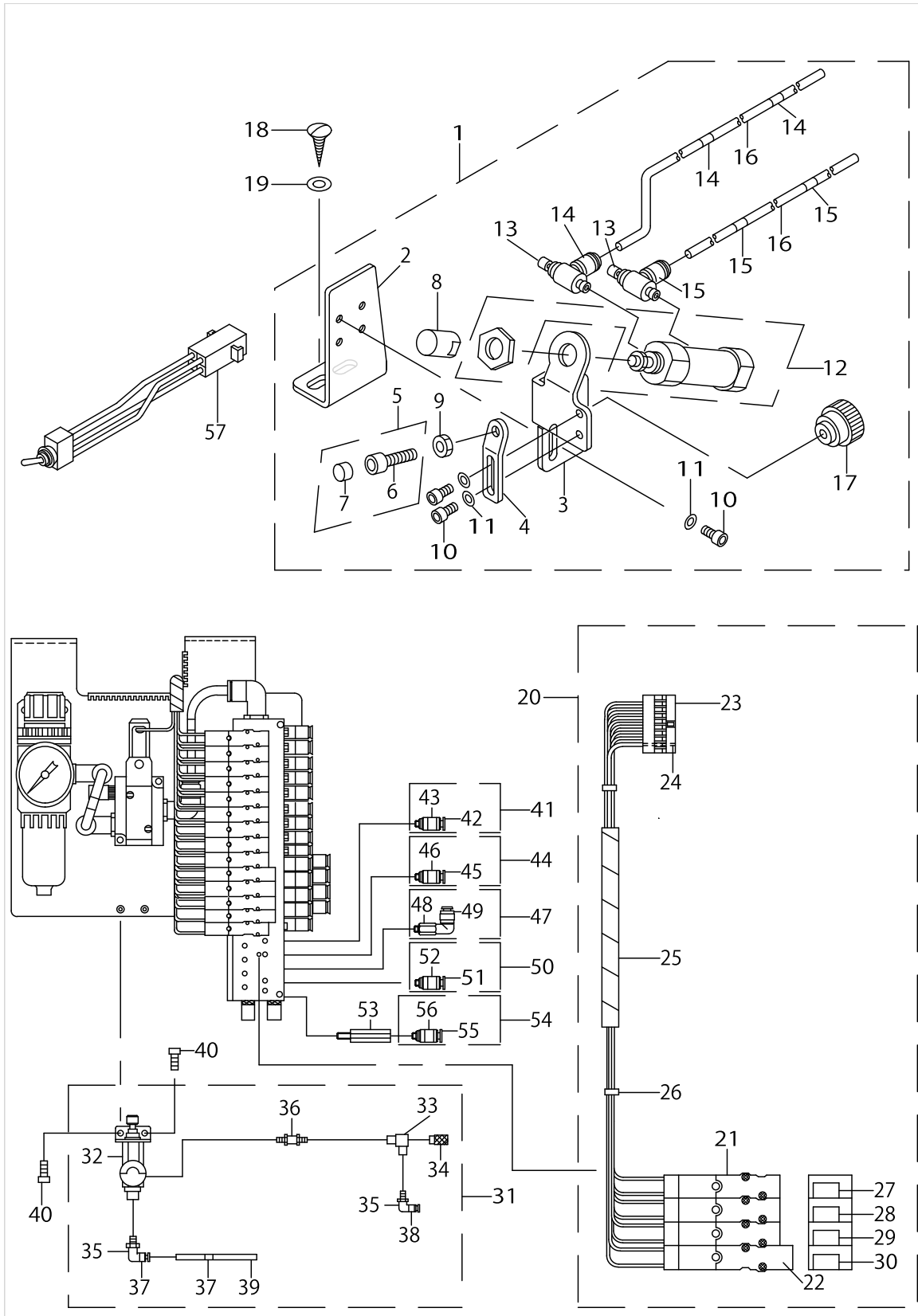
BUTTON LODER COMPONENTS (1)



BUTTON LODER COMPONENTS (1)

No.	Parts No.	Parts name	Remarks	Level	Cons	Qty
48	17851502	BUTTON CARPIER SPACER B		*		1
49	17850900	GUIDE SHAFT		*		1
50	SM6040802TR	SCREW M4X0.7 L=8		*		4
51	SM6040602TR	SCREW M4 L=6		*		1
52	WP0430801SC	WASHER 4.3X9X0.8		*		6
53	B2549372000	CLAMP SCREW A		*		1
54	SM6041202TR	SCREW M4 L=12		*		1
55	SM6030402TN	BOLT M3X4		*		1
56	SM6850350TP	FLAT SCREW		*		1
57	17857400	BUTTON CARRIER				1
58	GBR01155H00	SET PIN H		*		4
59	17858606	BUTTON CARRIER				1
60	17858804	BUTTON CARRIER				1
61	HX00150000G	CABLE CLIP				1
62	HX00150000K	CABLE CLIP				1
63	EA9500B0100	CABLE BAND				10
64	HX00065000B	CABLE BAND				3
65	SM6051002TR	SCREW M5 L=10				3
66	WP0531000SC	WASHER 5.3X10X1				3
67	17974056	BUTTON SET PIN A ASM.	FOR MARBLE BUTTON			1
68	17974007	BUTTON SET PIN A		*		1
69	17974106	SET SPRING A		*		1
70	SM4030401SC	SCREW M3X0.5 L=4		*		1
71	17974254	BUTTON SET PIN B ASM.	FOR SHANK BUTTON(ϕ 1.2)			1
72	17974205	BUTTON SET PIN B		*		1
73	17974304	SET SPRING B		*		1
74	SM4030401SC	SCREW M3X0.5 L=4		*		1
75	17974452	BUTTON SET PIN C ASM.	FOR SHANK BUTTON(ϕ 1.8)			1
76	17974403	BUTTON SET PIN C		*		1
77	17974304	SET SPRING B		*		1
78	SM4030401SC	SCREW M3X0.5 L=4		*		1
79	17974551	BUTTON SET PIN D ASM.	FOR METAL BUTTON			1
80	17974502	BUTTON SET PIN D		*		1
81	17974304	SET SPRING B		*		1
82	SM4030401SC	SCREW M3X0.5 L=4		*		1
83	17974601	BUTTON RECEIVER		*		1
84	B3106019000	SCREW		*		1
85	17857400	BUTTON CARRIER				1

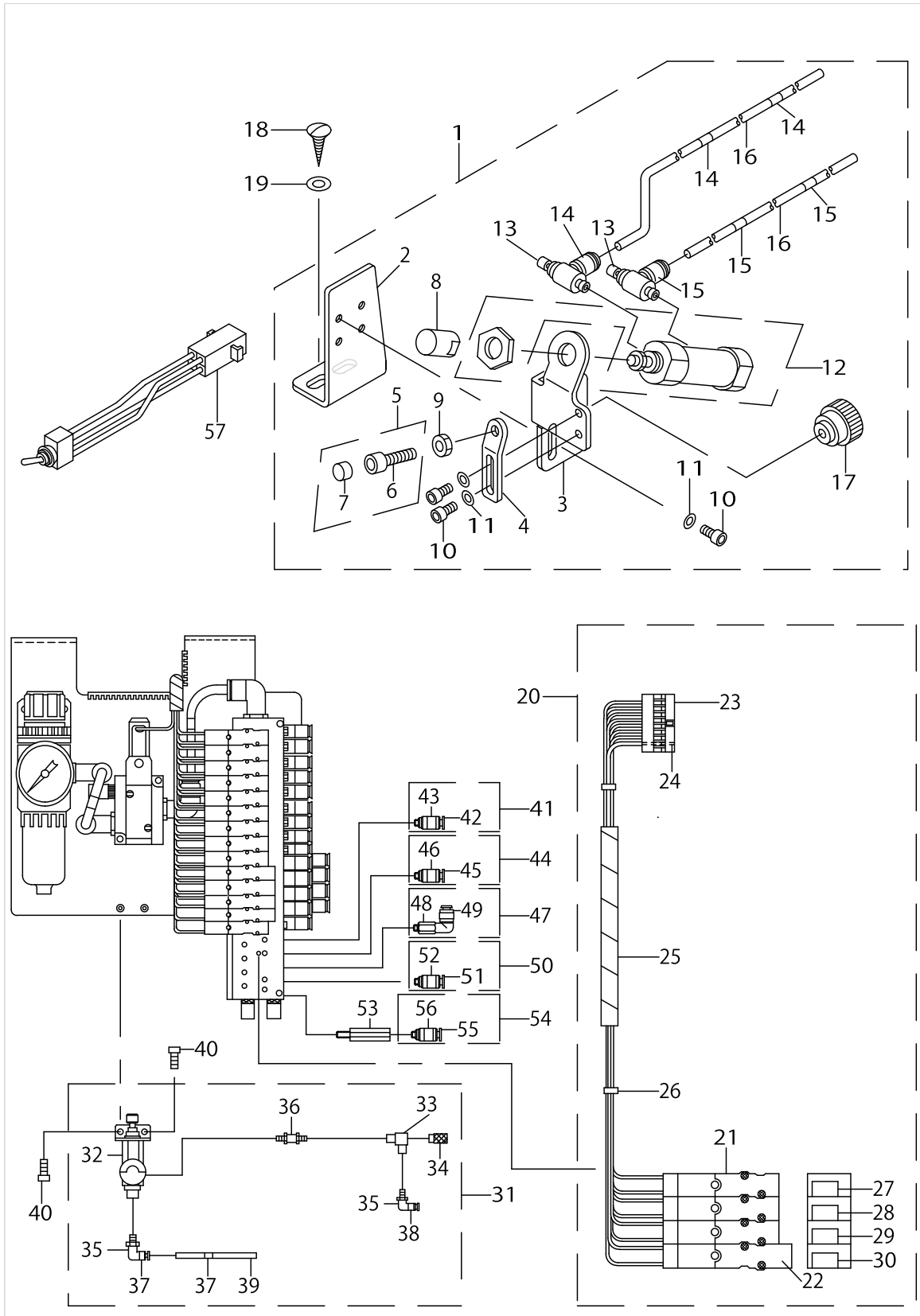
BUTTON LODER COMPONENTS (2)



BUTTON LODER COMPONENTS (2)

No.	Parts No.	Parts name	Remarks	Level	Cons	Qty
1	25014556	LOADER STOPPER ASM.				1
2	25014507	BASE PLATE		*		1
3	17851718	CYLINDER FITTING PLATE		*		1
4	17851817	STOPPER CUSHION FITTING PLATE		*		1
5	17853656	CUSHION ASM.		*		1
6	17853607	STOPPER CUSHION HOLDER		*		1
7	B1516180000	BUSH		*		1
8	17852005	STOPPER		*		1
9	NM6050002SC	NUT M5		*		1
10	SM6040802TR	SCREW M4X0.7 L=8		*		4
11	WP0430801SC	WASHER 4.3X9X0.8		*		4
12	PA1601513A0	AIR CYLINDER		*		1
13	PC010508000	SPEED CONTROLLER		*		2
14	18038604	WIRE MARK (37)		*		3
15	18038703	WIRE MARK (38)		*		3
16	BT0400251EB	URETHANE HOSE, BLACK		*		3
17	25014309	SCREW		*		1
18	WP0561616SC	WASHER 5.6X16X1.6				2
19	SK3513200SC	WOOD SCREW D=5.1 L=32				2
20	25014457	SOLENOID VALVE ASM.				1
21	PV130517000	SOLENOID VALVE		*		3
22	PV150517000	SOLENOID VALVE		*		1
23	HK028910080	HOUSING 8P		*		1
24	HK029040000	PIN TERMINAL		*		8
25	HX001890000	SPIRAL TUBE		*		0.3
26	EA9500B0100	CABLE BAND		*		2
27	18036400	WIRE MARK (15)		*		1
28	18036509	WIRE MARK (16)		*		1
29	18036608	WIRE MARK (17)		*		1
30	18036707	WIRE MARK (18)		*		1
31	17852559	DECOMPRESSION VALVE ASM.				1
32	PC0205010A0	MINIATURE DECOMPRESSION VALVE		*		1
33	GEP01013000	VALVE		*		1
34	PX050501000	SILENCER		*		1
35	PJ304040504	ELBOW UNION		*		2
36	PJ030050001	UNIVERSAL NIPPLE		*		1
37	18038307	WIRE MARK (34)		*		2
38	18038505	WIRE MARK (36)		*		1
39	BT0400251EB	URETHANE HOSE, BLACK		*		0.2
40	SL4040891SC	SCREW M4 L=8				2
41	17852955	HALF UNION C ASM.				1
42	PJ301040505	HALF UNION		*		1
43	18038109	WIRE MARK (32)		*		1
44	17853052	HALF UNION D ASM.				1
45	PJ301040505	HALF UNION		*		1
46	18038208	WIRE MARK (33)		*		1
47	17853359	LONG ELBOW ASM.				1

BUTTON LODER COMPONENTS (2)



BUTTON LODER COMPONENTS (2)

No.	Parts No.	Parts name	Remarks	Level	Cons	Qty
48	PJ304040507	LONG ELBOW UNION		*		1
49	18038307	WIRE MARK (34)		*		1
50	17853151	HALF UNION E ASM.				1
51	PJ301040505	HALF UNION		*		1
52	18038604	WIRE MARK (37)		*		1
53	PJ010505001	JOINT				1
54	17853250	HALF UNION F ASM.				1
55	PJ301040505	HALF UNION		*		1
56	18038703	WIRE MARK (38)		*		1
57	17973751	LOADER SWITCH ASM.				1

HOW TO MAKE USE OF THIS PARTS LIST

1.As to "#01" and "#02" refer to the "Note" given at the bottom of the respective pages.

2.Codes on the "Qty" column

- Each numeral indicates the number of parts required.
- "0.1" and "2.5" indicate the length (in meters) of the respective parts.

3.Parentheses mean that the corresponding part is a subpart that constructs an assembly part.

4.Dotted lines on the Figures indicate assembly parts.

1. リストページの# 0 1、# 0 2の印は、ページ下の"注記"の説明を参照下さい。
2. 数量欄の数字は、個数を表し、0. 1、2. 5等の数値は、長さ（単位メートル）を表します。
3. 数量欄の（ ）は、組部品を構成している子部品であることを意味します。
4. イラストページの-----枠は、組構成であることを意味します。

NUMERICAL INDEX OF PARTS

PART NO	PAGE	REF NO.	PART NO	PAGE	REF NO.	PART NO	PAGE	REF NO.
10004109	24	51	17806506	16	9	17816711	26	29
11047305	24	50	17806605	16	8	17816919	26	13
11102308	46	26	17806902	16	19	17817206	40	17
11155108	42	45	17806951	16	16	17818600	34	32
11155207	42	46	17807702	12	75	17821018	30	66
11157658	42	3	17807801	12	76	17821018	32	66
11157757	42	2	17807900	6	15	17821208	30	65
11158300	42	5	17808056	12	65	17821208	32	65
11158409	42	11	17808106	12	53	17821802	30	71
11158508	42	19	17808205	12	66	17821802	32	71
11158607	42	6	17808304	12	67	17822800	38	5
11159001	46	37	17808452	10	18	17822909	38	12
11185105	56	2	17808551	12	80	17823006	38	13
11185501	56	9	17808759	12	84	17823105	38	15
11280856	42	33	17808809	12	86	17823550	38	41
11503505	40	18	17808908	12	88	17823550	66	8
11528809	48	46	17809005	12	89	17823709	38	4
13525001	26	46	17809104	12	90	17824004	38	18
13943204	4	69	17809203	12	52	17824103	38	9
16115354	44	70	17810052	10	37	17824202	38	17
16258402	44	69	17810912	2	32	17824400	38	19
16450702	48	13	17811068	2	15	17824608	38	23
16658700	8	70	17811803	4	65	17825514	34	46
17007402	42	12	17811902	4	71	17826504	40	26
17800707	10	31	17812207	2	41	17826603	40	2
17801309	2	3	17812405	4	59	17828906	66	11
17801408	2	34	17812603	22	1	17829003	28	70
17801804	2	5	17812702	22	8	17829102	66	12
17802216	2	24	17812801	18	26	17830100	34	16
17802307	2	21	17812801	22	13	17830209	34	13
17802505	4	77	17812900	22	5	17830415	34	21
17802505	12	92	17813007	22	28	17832858	42	1
17802604	12	93	17813056	22	27	17832957	42	8
17803057	2	14	17813106	22	19	17833054	42	7
17803107	16	5	17813304	22	42	17833104	42	14
17803206	16	6	17813403	22	4	17833203	42	35
17803909	8	58	17813817	18	43	17833302	42	15
17804006	6	47	17814054	18	1	17833401	42	16
17804204	8	52	17814104	18	3	17833500	42	17
17804253	8	51	17814203	20	58	17833658	42	10
17804303	14	5	17814500	20	54	17833807	44	68
17804402	14	6	17816307	26	7	17833955	44	67
17805300	8	49	17816406	26	23	17835000	42	28
17805359	8	48	17816505	26	19	17835109	42	29
17805607	6	16	17816604	26	2	17835307	42	30

NUMERICAL INDEX OF PARTS

PART NO	PAGE	REF NO.	PART NO	PAGE	REF NO.	PART NO	PAGE	REF NO.
17836206	48	2	17856907	66	17	17966714	2	47
17836305	48	16	17857103	66	18	17967209	40	11
17836404	44	65	17857202	66	19	17967308	40	9
17839507	52	2	17857301	66	20	17968009	40	25
17840455	60	4	17857400	66	21	17969304	30	4
17840653	20	56	17857400	70	85	17969403	30	5
17840752	62	74-75	17857509	66	22	17970609	30	64
17840851	62	74-75	17857608	66	23	17970609	32	64
17841156	62	67	17857707	66	24	17970807	34	1
17841255	62	68	17857806	66	25	17970906	34	2
17841453	62	62	17858002	66	26	17971003	34	3
17841958	48	8	17858101	66	27	17971805	42	23
17842055	48	20	17858200	66	28	17972357	52	16
17842352	36	51	17858309	66	29	17973108	68	18
17844754	60	34	17858408	66	30	17973751	74	57
17845009	60	8	17858507	66	31	17974007	70	68
17845108	62	63	17858606	66	32	17974056	70	67
17848458	48	29	17858606	70	59	17974106	70	69
17848508	48	30	17858705	66	33	17974205	70	72
17850306	68	25	17858804	66	34	17974254	70	71
17850405	68	26	17858804	70	60	17974304	70	81
17850504	68	27	17858903	66	35	17974403	70	76
17850603	68	28	17859000	66	36	17974452	70	75
17850702	68	29	17859109	66	37	17974502	70	80
17850801	68	35	17859208	66	38	17974551	70	79
17850900	70	49	17961202	6	43	17974601	70	83
17851007	68	43	17961400	6	2	17974809	68	30
17851106	68	44	17961707	10	44	17977752	60	12
17851304	68	46	17961905	2	36	17977950	62	61
17851403	68	47	17962101	4	51	17978057	62	54
17851502	70	48	17962200	4	49	17978453	48	34
17851718	72	3	17962358	2	16	18036004	38	40
17851817	72	4	17962408	2	30	18036400	72	27
17852005	72	8	17962507	6	5	18036509	72	28
17852559	72	31	17962804	6	12	18036608	72	29
17852955	72	41	17962903	6	9	18036707	72	30
17853052	72	44	17963018	6	14	18038109	68	41
17853151	74	50	17963703	20	51	18038109	72	43
17853250	74	54	17964909	36	50	18038208	68	23
17853359	72	47	17966300	38	28	18038208	72	46
17853607	72	6	17966359	38	27	18038307	72	49
17853656	72	5	17966409	66	7	18038307	74	49
17856600	66	13	17966458	66	6	18038505	68	12
17856709	66	14	17966607	66	3	18038505	72	38
17856808	66	15	17966656	66	2	18038604	72	52

NUMERICAL INDEX OF PARTS

PART NO	PAGE	REF NO.	PART NO	PAGE	REF NO.	PART NO	PAGE	REF NO.
18038604	74	52	25006750	38	31	25012006	32	61
18038703	72	56	25006800	38	33	25012303	34	5
18038703	74	56	25006909	38	34	25012402	34	12
25000308	2	12	25007006	38	35	25012501	42	21
25000456	2	11	25007105	38	36	25012600	48	17
25000605	6	31	25007501	34	30	25013202	48	42
25000704	6	29	25007626	34	31	25013251	48	36
25000803	6	38	25007709	34	33	25014002	68	14
25000902	6	33	25007808	34	34	25014051	68	1
25001009	6	28	25007907	34	37	25014069	66	1
25001108	6	27	25008004	34	39	25014101	68	20
25001355	6	35	25008103	34	42	25014200	68	45
25001405	8	54	25008152	34	41	25014259	68	24
25001603	22	11	25008202	34	43	25014309	72	17
25001702	16	22	25008319	36	48	25014457	72	20
25001751	16	21	25008426	36	60	25014507	72	2
25001900	16	10	25008509	36	61	25014556	72	1
25002007	16	2	25008608	34	20	25014655	68	2
25002502	6	41	25009002	28	68	25014903	44	58
25002601	8	72	25009051	28	67	25015363	60	31
25002809	2	27	25009101	8	68	25015454	62	66
25002908	2	28	25010000	30	2	25015553	62	58
25002957	2	23	25010059	30	1	25015652	62	53
25003062	6	6	25010158	30	3	25015751	62	70
25003104	8	69	25010208	30	6	25015801	62	71
25003203	2	44	25010307	30	7	25016254	64	2
25003302	40	1	25010604	30	59	25016403	64	10
25003401	40	3	25010604	32	59	25016502	64	11
25003500	2	1	25010703	30	60	25016601	64	12
25003609	6	1	25010703	32	60	25016700	64	13
25003757	4	64	25010802	30	27	25016809	64	14
25003807	4	61	25010851	30	25	25016908	64	15
25003906	4	60	25010950	30	28	25017005	64	16
25004003	22	32	25011008	30	29	25017104	64	17
25004110	26	1	25011107	30	30	25017203	64	18
25004201	26	11	25011206	30	31	25017302	64	19
25004300	26	12	25011305	30	32	25017450	64	20
25004409	34	27	25011404	32	52	25017559	64	21
25004508	28	69	25011453	32	49	25017658	64	22
25005000	26	43	25011552	32	53	25017708	64	27
25005109	28	75	25011602	32	54	25017807	64	28
25005208	66	10	25011701	32	55	25018706	18	47
25006008	40	19	25011800	32	56	25018706	22	38
25006602	38	1	25011909	32	57	25018755	18	46
25006701	38	32	25012006	30	61	25018854	22	37

NUMERICAL INDEX OF PARTS

PART NO	PAGE	REF NO.	PART NO	PAGE	REF NO.	PART NO	PAGE	REF NO.
25018953	44	61	B1408372000	16	15	B2512205000	18	18
25019050	60	35	B1410372000	16	17	B2513210000	18	22
25019365	48	1	B1411372A00	16	13	B2513210000	22	15
25338005	28	53	B1412372000	16	18	B2514210000	18	29
25338104	28	55	B14163720A0	16	25	B2515210000	18	35
25338203	28	59	B1418372000	16	26	B2516205000A	18	25
25338302	28	50	B1419372000	16	29	B2516205000A	22	17
25338401	26	42	B1421372000	10	2	B2519205000	18	5
25338500	26	36	B1516180000	72	7	B2519210000	18	6
25338609	26	33	B152652700G	34	47	B2520205000	18	7
25338708	26	30	B2004372000	12	50	B2521210000A	18	14
25338807	42	34	B2006372000	12	56	B2522205000	18	8
25338955	28	58	B2007372000	12	61	B2522210000	18	19
25339052	50	48	B2008372000	12	60	B2525205000	22	6
25339151	60	1·2	B2011372000	12	49	B2526210000	22	21
25339201	62	60	B2012372000	10	46	B2536210000	22	20
25339359	60	27	B2014372000A	10	43	B2549372000	70	53
25339458	62	93	B2015372000	10	41	B2574220000	2	45
25339656	64	1	B20153720A0	10	32	B2576220000	2	46
25339755	64	3	B2016372000	10	40	B3106019000	70	84
25339805	64	4	B2017372000	10	34	B3115372000	4	73
25340050	60	1·2	B2019372000	10	28	B3116125000	10	23
25340209	62	57	B20193720AA	10	22	B3120125000	10	91
B1104372A00	4	58	B2020372000	10	29	B3120125000	12	91
B1110372000	4	56	B2021372000	10	25	B3127372000	2	18
B1111372000	4	54	B2024372000A	10	21	B3132012000	10	26
B1119373000	2	39	B2026372000	10	19	B3149123A00	2	19
B1120372000	4	52	B2028372000	10	14	B33011800AA	56	1
B1120372000	48	4	B2029372000	10	13	B3303180000	56	3
B1131521000	2	25	B20313720A0	10	8	B3305704000A	56	5
B1136850000	2	26	B2034372000	10	9	B3307704000	56	4
B1215372A00	8	65	B2035372000	10	7	B3311012000	56	8
B1215372B00	14	4	B2036372000	10	11	B3311704000	56	6
B1216372000	14	2	B2037372000	10	10	B3317704000	56	11
B1217372000	14	11	B2038372000	10	1	B3320704L00A	56	7
B12173720A0	14	10	B2040373000	10	16	B4008205000	22	29
B1222372000	8	66	B2314019000	10	38	B821021000B	44	91
B1223372000	14	3	B2501205000	18	15	B821121000B	44	92
B1224372000	8	63	B2502210000	18	10	BT0400251EB	38	39
B12243720A0	8	62	B2503210000	18	11	BT0400251EB	54	49
B1227372000A	8	56	B2504210000	18	32	BT0400251EB	68	42
B1232372000	6	36	B2505210000	18	37	BT0400251EB	72	39
B1239372000	6	45	B2507210000	18	16	BT0600401EB	54	48
B1402372000	16	4	B2509210000	18	20	CM200100001	62	84
B1407372000	16	14	B2510205000	26	8	CM300100001	60	25

NUMERICAL INDEX OF PARTS

PART NO	PAGE	REF NO.	PART NO	PAGE	REF NO.	PART NO	PAGE	REF NO.
CM300100001	64	34	EA9564B0300	44	64	HK003940010	22	39
CM300100101	60	24	F1021003000	52	1	HK018620060	22	40
CM300200003	68	10	G1001192000	60	3	HK024910050	36	56
CM3002000B3	68	11	G10031920A0	60	21	HK026650080	60	42
CM300200101	4	75	GAK320010A0	44	78	HK028910060	68	4-5
CM3002001A1	4	76	GAK320010B0	44	77	HK028910080	72	23
CM300500001	48	47	GBR01155H00	70	58	HK029040000	68	4-5
CM500100001	44	90	GBR01227000	34	36	HK029040000	72	24
CQ200000000	16	23	GBR01357000	26	45	HK032040000	36	57
CS0790741TH	6	46	GEP01013000	72	33	HK034610060	62	69
CS1000811SP	38	7	GHP03537000	46	18~20	HL010520178	60	28
CS1111019SH	8	59	GPK14013000	46	15	HM000550000	48	21
CS127101ASH	14	8	GPK1800600AA	46	35	HN001090000	62	92
D3129555D00	10	39	GPK1800700AA	46	36	HW000660050	36	55
D3302772T00	56	10	GPK260030AA	46	3	HX000130000	42	40
D6042555B00	48	24	GPK2600700A	46	6	HX00065000B	42	43
D6043555B00	48	23	GPK2600800A	46	5	HX00065000B	70	64
D8204555D00	42	49	GPK26009000	46	7	HX00088000A	28	66
D8204555D00	44	49	GPK26010000	46	11	HX00088000A	36	53
D8621761C0B	20	49	GPK26011000	46	8	HX00150000A	22	48
E1022760000	28	65	GPK26022000	46	32	HX00150000A	24	48
E8760452B00	36	58	GPK26026000	46	29	HX00150000A	38	10
E8760452H00	36	52	GPK26028000	46	31-33-34	HX00150000A	44	53
E8760452M00	20	50	GPK620010A0	46	2	HX00150000A	64	35
E8760452M00	22	41	GPK620010B0	44	56	HX00150000B	28	62
E9561351000	44	62	GPK620010B0	46	1	HX00150000D	2	9
E9567319000	60	7	GPK62002000	46	21	HX00150000D	26	27
E9567319000	64	23	GPK620030B0	46	22	HX00150000F	2	33
E9613601000	60	78	HA002470000	48	39	HX00150000G	70	61
E9613601000	62	78	HA00247001A	48	40	HX00150000K	70	62
E9672452000	60	33	HA00247001B	48	41	HX00150000R	44	51
EA9500B0100	12	74	HA002890000	36	54	HX001890000	48	44
EA9500B0100	24	49	HA00335000A	64	5	HX001890000	72	25
EA9500B0100	28	64	HA00335000B	64	6	HX00222000A	60	11
EA9500B0100	36	59	HA0033500030	64	7	HX00222000B	60	17
EA9500B0100	38	44	HA00335003A	64	8	HX002230000	48	18
EA9500B0100	44	89	HA003350040	64	9	HX00223000A	52	13
EA9500B0100	48	45	HE000150000	48	9	HX002350000	48	25
EA9500B0100	68	63	HF001400700	60	45	HX002350000	62	81
EA9500B0100	70	63	HF00511000B	60	77	HX00269000D	62	65
EA9500B0100	72	26	HF00511000B	62	77	HX004070000	60	10
EA9500B0200	6	13	HF005111000	60	76	HX00408000A	60	14
EA9500B0200	42	44	HF005111000	62	76	HX004100000	60	36
EA9500B0200	54	50	HF00511100A	62	50	M1002519000	60	18
EA9564B0100	44	63	HK003940010	20	48	M1004519000	62	82

NUMERICAL INDEX OF PARTS

PART NO	PAGE	REF NO.	PART NO	PAGE	REF NO.	PART NO	PAGE	REF NO.
M1020511000	60	39	NM6060001SC	42	39	PA1503007A0	52	23
M1075518000	64	30	NM6060001SC	62	91	PA1504001A0	6	17
M1076510000	64	31	NM6060001SC	68	21	PA1504001A0	52	43
M1077510000	64	32	NM6080002SE	46	27-28	PA1601513A0	72	12
M1078510000	64	33	NM6080721SE	44	74	PA1603101A0	34	23
M300551100A	60	22-23	NM6080721SE	46	16-17-38-	PA1603101A0	52	33
M300551100B	60	22-23			39	PA8000140B0	68	3
M3011110000	60	15	NM6120003SE	42	13	PC010507000	34	25
M85064350A0	62	85	NS6080210SP	10	6	PC010507000	38	25
M85195110A0	60	38	NS6080340SP	12	63	PC010507000	40	16
M85215110A0	60	5	NS6090310SP	26	44	PC010507000	52	27
M85225110A0	48	35	NS6110310SP	4	74	PC010508000	68	6
M85235110A0	60	6	NS6110310SP	18	13	PC010508000	72	13
M85255110A0	62	48	NS6110310SP	26	38	PC012401000	52	47
M85265110A0	62	49	NS6110420SP	30	70	PC0205010A0	72	32
M85305110A0	48	33	NS6110420SP	32	70	PF025204000	52	3
M86025110A0	60	20	NS6150310SP	22	7	PF065102000	52	5
M8808301000	62	59	NS6150310SP	34	19	PF905003000	52	4
M952017100A	60	40	NS6150430SP	48	5	PJ010505001	36	67
M952017100B	60	41	NS6150440SP	16	12	PJ010505001	52	21
MAI15040000	44	86	NS6160520SP	10	30	PJ010505001	74	53
MAI15040000	48	22	NS6200710SN	42	25	PJ020500002	52	19
MAO11532000	44	50	NS6660430SP	10	20	PJ030050001	72	36
MAO11532000	56	21	NS6680410SP	16	20	PJ042050002	12	83
MAT80230T00	44	79	NS6680480SP	16	24	PJ042050002	52	38
MAT80231T00	44	80	PA0401001A0	38	38	PJ042520002	52	7
MAT80232T00	44	81	PA0401001A0	52	30	PJ046052503	68	40
MAT81126T00	44	87	PA0502401A0	40	23	PJ301040505	52	20
MCSM3320900	16	1	PA0502401A0	52	28	PJ301040505	72	55
MTJMS000030	42	24	PA0601505A0	34	9	PJ301040505	74	55
MTJVM003500	58	1	PA0601505A0	52	26	PJ304040001	26	26
MTSP0055000A	58	2	PA1000506A0	12	82	PJ304040001	38	43
NM6030001SC	62	87	PA1000506A0	52	39	PJ304040001	52	29
NM6040001SC	48	27	PA1000506A0	68	39	PJ304040504	12	72
NM6040001SC	68	37	PA100152300	36	65	PJ304040504	34	11
NM6040003SC	46	31-33-34	PA100152300	52	31	PJ304040504	40	5
NM6050001SC	38	24	PA1003012A0	12	78	PJ304040504	52	22
NM6050001SE	56	15	PA1003012A0	52	37	PJ304040504	72	35
NM6050002SC	68	34	PA1005501A0	40	15	PJ304040507	6	25
NM6050002SC	72	9	PA1005501A0	52	36	PJ304040507	52	44
NM6050003SC	18	38	PA1008003A0	40	4	PJ304040507	74	48
NM6050003SC	22	25	PA1008003A0	52	45	PJ304065101	52	9
NM6050003SC	34	29	PA1501009A0	12	70	PJ304065201	52	8
NM6060001SC	6	20	PA1501009A0	52	41	PJ305040001	52	40
NM6060001SC	38	20	PA1503007A0	38	22	PJ308040002	52	46

NUMERICAL INDEX OF PARTS

PART NO	PAGE	REF NO.	PART NO	PAGE	REF NO.	PART NO	PAGE	REF NO.
PJ309040501	6	26	SD0601021SP	4	68	SL4041081SC	60	83
PJ309040501	36	68	SD0640241SP	6	37	SL4041081SC	62	83
PJ309040501	52	32	SD0700271TP	28	48	SL4041091SC	60	73
PS0200062KH	4	72	SD0700811TP	26	47	SL4041091SC	62	73
PS0200082KH	38	21	SD0790203SP	12	85	SL4041491SC	62	79
PS0200122K0	34	44	SD0790802SP	12	64	SL4041691SC	62	52
PS0300162KH	10	42	SD0791051SP	48	3	SL4042091SC	26	28
PV030514000	52	17	SD0791271SP	2	6	SL4042591SC	46	18~20
PV130517000	52	14	SD0791271SP	10	5	SL4043091SC	52	18
PV130517000	72	21	SD0791501SP	10	15	SL4043291SC	60	13
PV135113000	52	10	SD0800291TP	30	67	SL4051091SC	22	43
PV150517000	52	15	SD0800291TP	32	67	SL4051091SC	48	19
PV150517000	72	22	SK3311600SC	44	59	SL4051091SC	62	80
PX050501000	72	34	SK3412000SC	48	31	SL4051241SE	34	17
PX055103000	52	12	SK3452500SC	42	66	SL9082093SE	42	4
PX060003000	48	37	SK3452500SC	44	66	SM0030601SC	36	49
PX060003000	52	24	SK3513200SC	42	22	SM0030601SC	62	72
PX060010000	48	38	SK3513200SC	72	19	SM0040601SC	62	64
PX060010000	52	34	SK3514000SC	44	88	SM1850951SD	30	58
PX500020000	12	73	SK3552500SC	44	94	SM1850951SD	32	58
PX500020000	34	24	SL4030681SC	28	60	SM3065052TC	62	88
PX500020000	52	42	SL4030681SC	64	25	SM4030401SC	70	82
PX500043000	6	24	SL4030691SC	46	23	SM4040801SN	20	59
PX500043000	38	26	SL4030691SC	60	55	SM4041201SC	46	31·33·34
PX500043000	52	25	SL4030691SC	62	55	SM4041401SC	34	14
PX5000480A0	34	26	SL4030891SC	20	55	SM4043601SN	48	26
PX5000480A0	52	35	SL4030891SC	22	44	SM4051405SE	56	13
RC1900001KP	22	3	SL4030891SC	60	86	SM4051601SC	18	39
RC1900001KP	26	4	SL4030891SC	62	86	SM4052501SC	22	24
RE0300000K0	68	38	SL4031091SC	64	36	SM5030501SC	64	29
RE0320000K0	2	20	SL4031281SC	60	47	SM6030402TN	70	55
RE0600000K0	18	34	SL4031291SC	20	57	SM6040602TP	18	23
RE0600000K0	22	14	SL4031681SC	34	10	SM6040602TP	22	16
SB104000300	68	36	SL4031691SC	46	25	SM6040602TP	38	14
SB105001100	68	32	SL4040691SC	44	93	SM6040602TP	68	19
SB108000500	18	36	SL4040691SC	46	12	SM6040602TR	70	51
SB108000500	22	9	SL4040691SC	60	37	SM6040802TR	28	56
SB110000500	26	15	SL4040891SC	22	47	SM6040802TR	70	50
SB710000200	22	2	SL4040891SC	40	7	SM6040802TR	72	10
SB710000200	26	3	SL4040891SC	44	71	SM6041202TR	70	54
SD0402001TP	10	12	SL4040891SC	46	9	SM6041402TN	36	62
SD0500356TP	68	33	SL4040891SC	52	6	SM6041402TP	18	4
SD0550212TP	26	39	SL4040891SC	64	37	SM6050802TR	26	24
SD0600271SP	2	38	SL4040891SC	72	40	SM6051002TR	70	65
SD0600271SP	12	87	SL4040891SL	28	63	SM6051202TP	22	10

NUMERICAL INDEX OF PARTS

PART NO	PAGE	REF NO.	PART NO	PAGE	REF NO.	PART NO	PAGE	REF NO.
SM6051202TP	38	16	SS6080610TP	30	72	SS7110830SP	6	11
SM6051602TP	18	40	SS6080610TP	32	72	SS7110840SP	2	40
SM6051602TR	26	51	SS6080720SP	34	38	SS7110840SP	6	44
SM6051602TR	28	51	SS6090520SP	4	55	SS7110910TP	18	12
SM6051602TR	40	12	SS6090540SP	6	3	SS7110910TP	22	23
SM6061202TP	42	18	SS6090540SP	28	49	SS7111410SP	6	4
SM6061602TN	6	21	SS6090610SP	2	31	SS7111410SP	44	84
SM6085002TP	2	13	SS6090610SP	22	31	SS7111410TP	6	39
SM6086002TP	2	10	SS6090620SP	2	4	SS7111410TP	12	68
SM6850350TP	70	56	SS6090620SP	18	17	SS7111810SP	6	34
SM8040602TP	8	71	SS6090620SP	30	63	SS7111810TP	6	10
SM8040602TP	18	27	SS6090620SP	32	63	SS7111810TP	22	22
SM8040802TP	18	28	SS6090670TP	6	30	SS7112420SP	6	40
SM8050612TP	26	14	SS6091210TP	16	7	SS7120640SP	38	11
SM8050802TP	18	42	SS6110480SP	2	62	SS7151210SP	10	45
SM8050802TP	22	36	SS6110480SP	4	62	SS7151340TP	4	53
SM9040803SF	60	9	SS6110480SP	6	42	SS8080310TP	36	66
SM9041050SC	40	20	SS6110610TP	18	21	SS8080410TP	34	40
SM9050813SE	56	17	SS6110610TP	38	42	SS8090710SP	34	45
SM9051450SC	26	73	SS6110610TP	66	9	SS8110410TP	8	55
SM9051450SC	28	73	SS6110670TP	2	42	SS8110422TP	26	9
SM9051450SC	68	15	SS6111010SP	48	43	SS8110422TP	34	4
SM9061080SE	56	16	SS6111210SP	2	29	SS8110520TP	38	8
SM9061403SC	42	36	SS6120930TP	10	54	SS8111010TP	26	37
SM9061403SC	48	14	SS6120930TP	12	54	SS8150410TP	8	53
SM9062003SC	26	20	SS6120940SP	2	35	SS8151150SP	4	57
SM9062553SC	26	16	SS6120940SP	12	81	SS8151150SP	8	67
SM9081620SE	46	27-28	SS6121050SP	12	59	SS8151150SP	14	1
SM9082023SE	44	73	SS6121210SP	4	63	SS8151550SP	14	7
SM9082023SE	46	16-17-38-39	SS6121210SP	20	60	SS8151720SP	34	18
SS2060210SP	28	76	SS6121212TP	38	6	SS8660330SP	8	61
SS4110615SP	40	27	SS6121610TP	12	58	SS8660512TP	8	60
SS4110615SP	44	76	SS6151220SP	44	82	SS8660610TP	14	9
SS4110715SP	4	66	SS6151412TP	20	52	SS8660612TP	8	64
SS4110910TP	6	32	SS6151440SP	22	34	SS8660612TP	14	12
SS4110915SP	18	44	SS6151612TP	22	26	SS8660612TP	16	28
SS4110915SP	22	35	SS6151612TP	26	25	SS8660942TP	16	27
SS4111215SP	46	10	SS7080310TP	6	7	SS9110543CP	26	71
SS4120915SP	2	17	SS7080510SP	36	69	SS9110543CP	28	71
SS5120810SP	2	22	SS7080510TP	16	3	SS9150910SP	26	10
SS6050180SL	6	8	SS7090510SP	10	17	SS9151210TP	20	53
SS6080320SP	38	37	SS7090520TP	28	54	SS9151210TP	48	32
SS6080410SP	30	50	SS7090850SP	22	30	SS9151630CP	16	11
SS6080410SP	32	50	SS7090850SP	34	8	SS9151740CP	34	22
			SS7110710SL	44	83-85	SS9161610SP	2	43

NUMERICAL INDEX OF PARTS

PART NO	PAGE	REF NO.	PART NO	PAGE	REF NO.
SS9201813CP	22	33	WP08416000E	48	6
TA0750404R0	62	56	WP0841600SE	40	8
WP0350516SD	36	70	WP0851846SC	42	27
WP0371016SD	12	62	WP0871602SE	44	72
WP0371016SD	30	62	WP0871602SE	46	16·17·38- ·39
WP0371016SD	32	62			
WP0371016SD	34	6	WP1302501SE	42	9
WP0430800SC	28	57	WP1612616SE	56	12
WP0430800SC	34	63	WS0410002KN	36	64
WP0430800SC	36	63	WS0410002KN	40	21
WP0430800SC	40	22	WS0410002KN	48	28
WP0430801SC	44	60	WS0410002KP	34	7
WP0430801SC	46	24	WS0451040KP	12	69
WP0430801SC	70	52	WS0451040KP	30	69
WP0430801SC	72	11	WS0451040KP	32	69
WP0450801SD	4	67	WS0510002KN	6	18
WP0450801SD	26	72	WS0510002KN	28	52
WP0450801SD	28	72	WS0510002KN	40	13
WP0450801SD	30	68	WS0510002KN	56	19
WP0450801SD	32	68	WS0510002KN	68	17
WP0480856SP	12	57	WS0510002KP	40	24
WP0480856SP	44	83·85	WS0521010KN	56	20
WP0501016SD	12	55	WS0610002KN	6	23
WP0501016SD	18	45	WS0610002KN	26	22
WP0501046SC	68	31	WS0610002KN	42	37
WP0520656SA	56	18	WS0610002KN	62	90
WP0531000SC	2	8	WS0610002KN	68	22
WP0531000SC	22	12	WS0650389KP	2	37
WP0531000SC	26	74	WS0820002KN	42	26
WP0531000SC	28	74	WS0861410KR	44	75
WP0531000SC	34	28	WS0861410KR	46	16·17·38- ·39
WP0531000SC	68	66			
WP0531000SC	70	66	WS1002560KR	58	3
WP0560860SE	40	14	WS1220002KR	42	20
WP0560860SE	42	41	WZ0850302K0	48	7
WP0561616SC	44	57			
WP0561616SC	72	18			
WP0611626SP	48	15			
WP0612056SD	42	31			
WP0621016SD	10	4			
WP0641600SC	6	22			
WP0641600SC	26	21			
WP0641600SC	42	38			
WP0651001SC	62	89			
WP0740516SP	4	70			