

MODEL : DDL-8500

List No : 1199-01

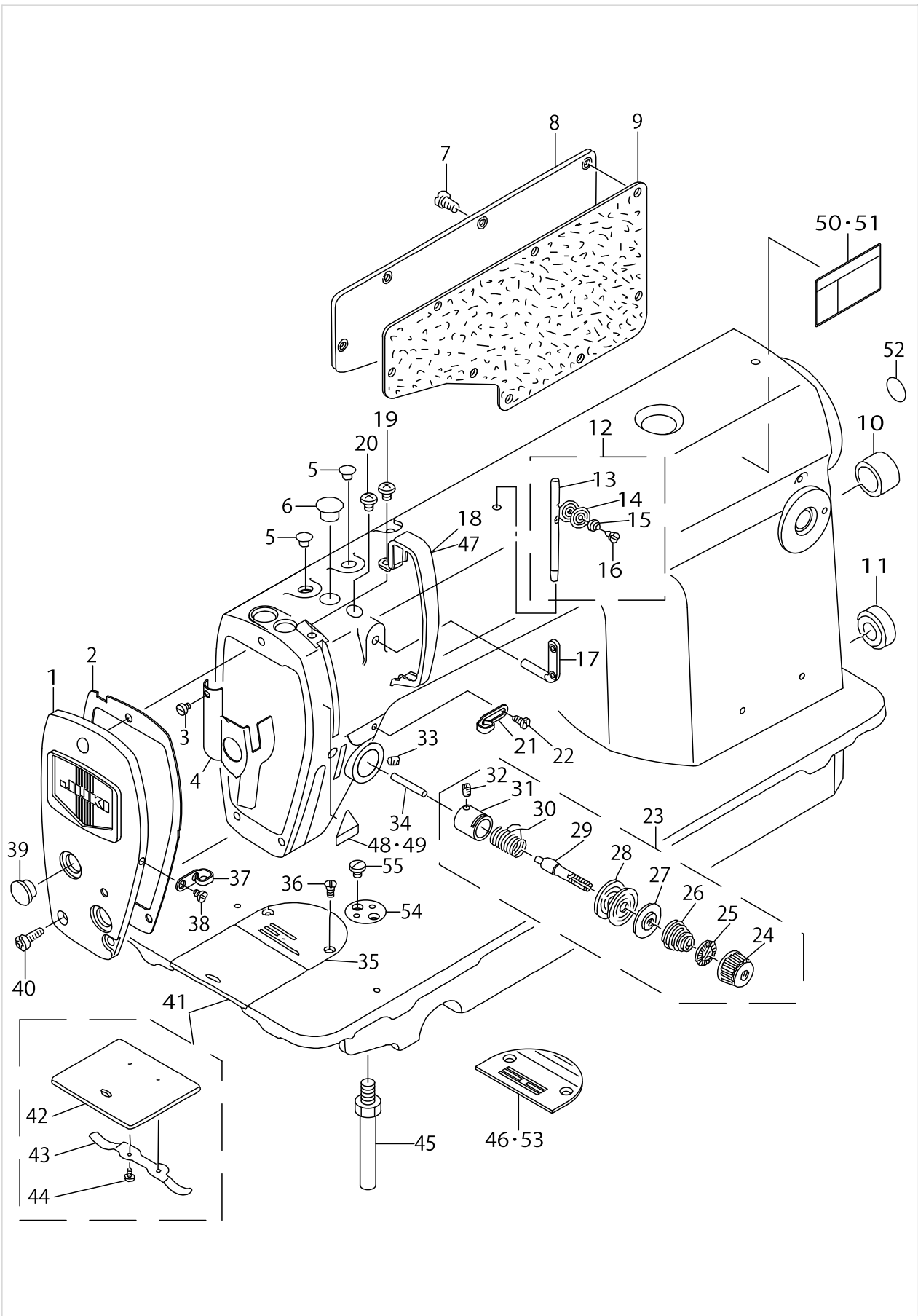
PARTS LIST

Published:09/10/2017

CONTENTS

MACHINE FRAME & MISCELLANEOUS COVER COMPONENTS	1
MAIN SHAFT & THREAD TAKE-UP LEVER COMPONENTS	5
NEEDLE BAR, UPRIGHT SHAFT & HOOK DRIVING SHAFT COMPONENTS	7
HAND LIFTER COMPONENTS	9
FEED MECHANISM COMPONENTS	11
OIL LUBRICATION COMPONENTS	15
OIL RESERVOIR COMPONENTS	17
BELT COVER & BOBBIN WINDER COMPONENTS	19
THREAD STAND COMPONENTS	21
EXCLUSIVE PARTS FOR DDL-8500H	23
EXCLUSIVE PARTS FOR DDL-8500A	25
EXCLUSIVE PARTS FOR DDL-8500L	27
LIST FOR INFORMATION OF CHANGE	31
HOW TO MAKE USE OF THIS PARTS LIST	32

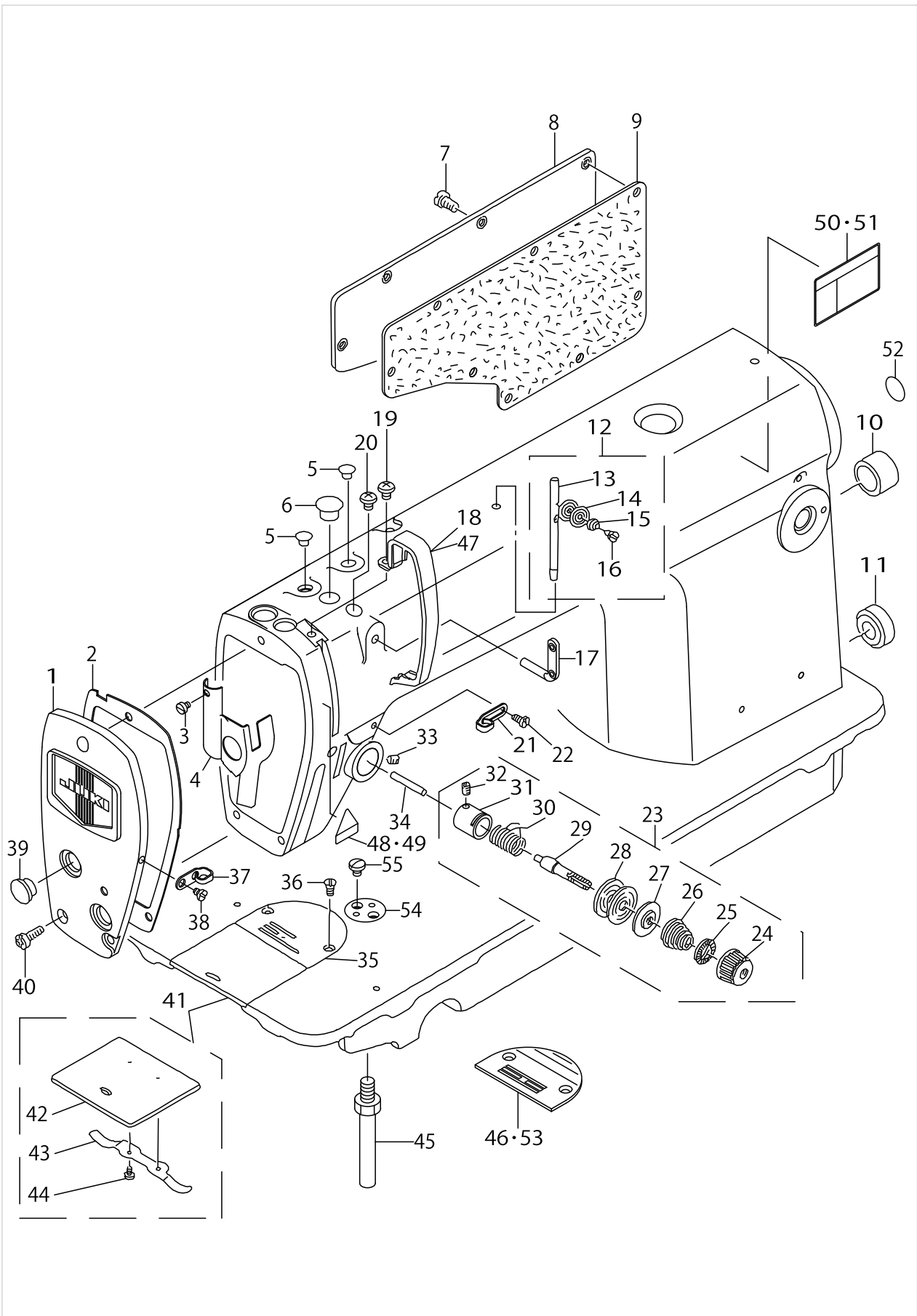
MACHINE FRAME & MISCELLANEOUS COVER COMPONENTS



MACHINE FRAME & MISCELLANEOUS COVER COMPONENTS

No.	Parts No.	Parts name	Remarks	Level	Cons	Qty
1	22902159	FACE PLATE ASM.				1
2	22902209	FACE PLATE GASKET				1
3	SS6080410SP	SCREW 1/8-44 L=4				1
4	22900757	ARM OIL SHIFLD ASM.				1
5	TA0850604R0	RUBBER PLUG				2
6	TA1250705R0	RUBBER PLUG				1
7	SS4120915SP	SCREW 3/16-28 L=9				8
8	22900401	SIDE PLATE				1
9	11000619	GASKET				1
10	TA2000502R0	RUBBER PLUG				1
11	TA2101002R0	RUBBER PLUG				1
12	22932552	THREAD GUIDE ROD ASM.				1
13	22932503	THREAD GUIDE ROD		*		1
14	22932602	TENSION DISK		*		2
15	22932701	TENSION SPRING		*		1
16	SD0380552SL	HINGE SCREW D=3.8 H=5.5		*		1
17	22920706	TWO-HOLE THREAD EYELET				1
18	22900609	THREAD TAKE-UP LEVER COVER				1
19	SS4120615SP	SCREW 3/16-28 L=6				1
20	SS4120615SP	SCREW 3/16-28 L=6				1
21	22920508	ARM THREAD GUIDE A				1
22	11001500	SCREW				1
23	22945356	THREAD TENSION ASM.				1
24	22921308	TENSION NUT		*		1
25	22921407	ROTATING STOPPER		*		1
26	22921704	TENSION SPRING A		*		1
27	22921803	THREAD TENSION DISK PRESSER		*		1
28	22921506	THREAD TENSION DISK		*		2
29	22921209	TENSION POST		*		1
30	22921605	TAKE-UP SPRING		*		1
31	22945307	TENSION POST SOCKET		*		1
32	SS8090670SP	SCREW 9/64-40 L= 5.5		*		1
33	SS8150710SP	SCREW 15/64-28 L=7				1
34	B3118552E00	TENSION RELEASING				1
35	11028008	THROAT PLATE				1
36	SS2110920TP	SCREW 11/64-40 L=8.5				2
37	22920607	ARM THREAD GUIDE B				1
38	SS6110610TP	SCREW 11/64-40 L=6				1
39	TA1250406R0	RUBBER PLUG D=12.5 L=4				2
40	SS4120915SP	SCREW 3/16-28 L=9				3
41	22901250	BED SLIDE ASM.				1
42	22901201	SLIDE PLATE		*		1
43	22901300	BED SLIDE SPRING		*		1
44	SS6060210SP	SCREW 3/32-56 L= 1.9		*		2
45	22901003	BED SCREW STUD				4
46	B1109012I0B	THROAT PLATE (I)				1
47	18077503	THREAD TAKE-UP LEVER COVER				1

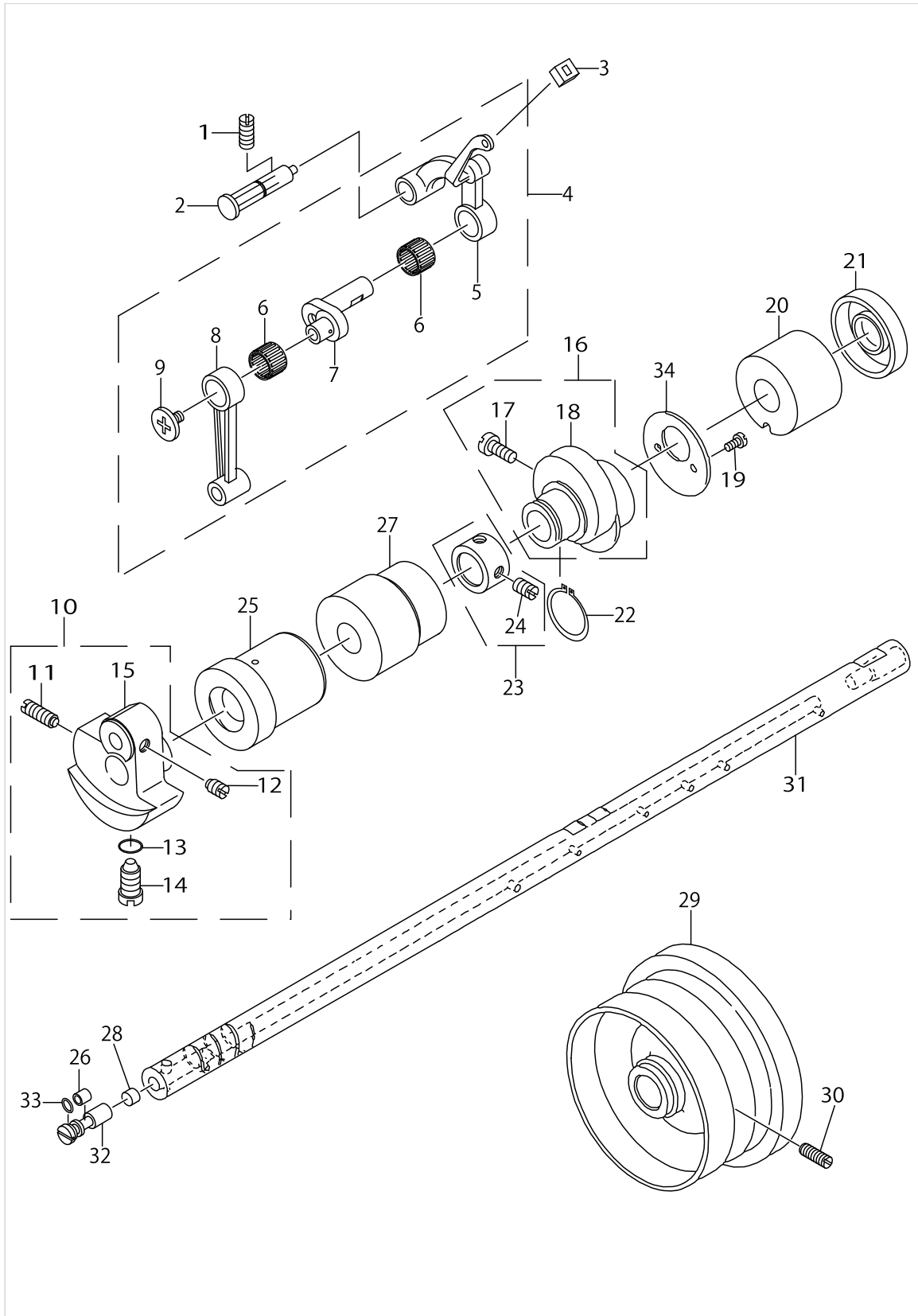
MACHINE FRAME & MISCELLANEOUS COVER COMPONENTS



MACHINE FRAME & MISCELLANEOUS COVER COMPONENTS

No.	Parts No.	Parts name	Remarks	Level	Cons	Qty
48	CM300200001	ATTENTION SEAL				1
49	CM3002000B1	LABEL(16)				1
50	CM300200101	SAFETY LABEL, 1(SMALL).				1
51	CM3002001A1	SAFETY LABEL.,3 (SMALL).				1
52	10004109	GROUND MARK				1
53	B1109552000	THROAT PLATE				1
54	22902605	SULER STOPPER				1
55	SS7110540SP	SCREW 11/64-40 L=5				2

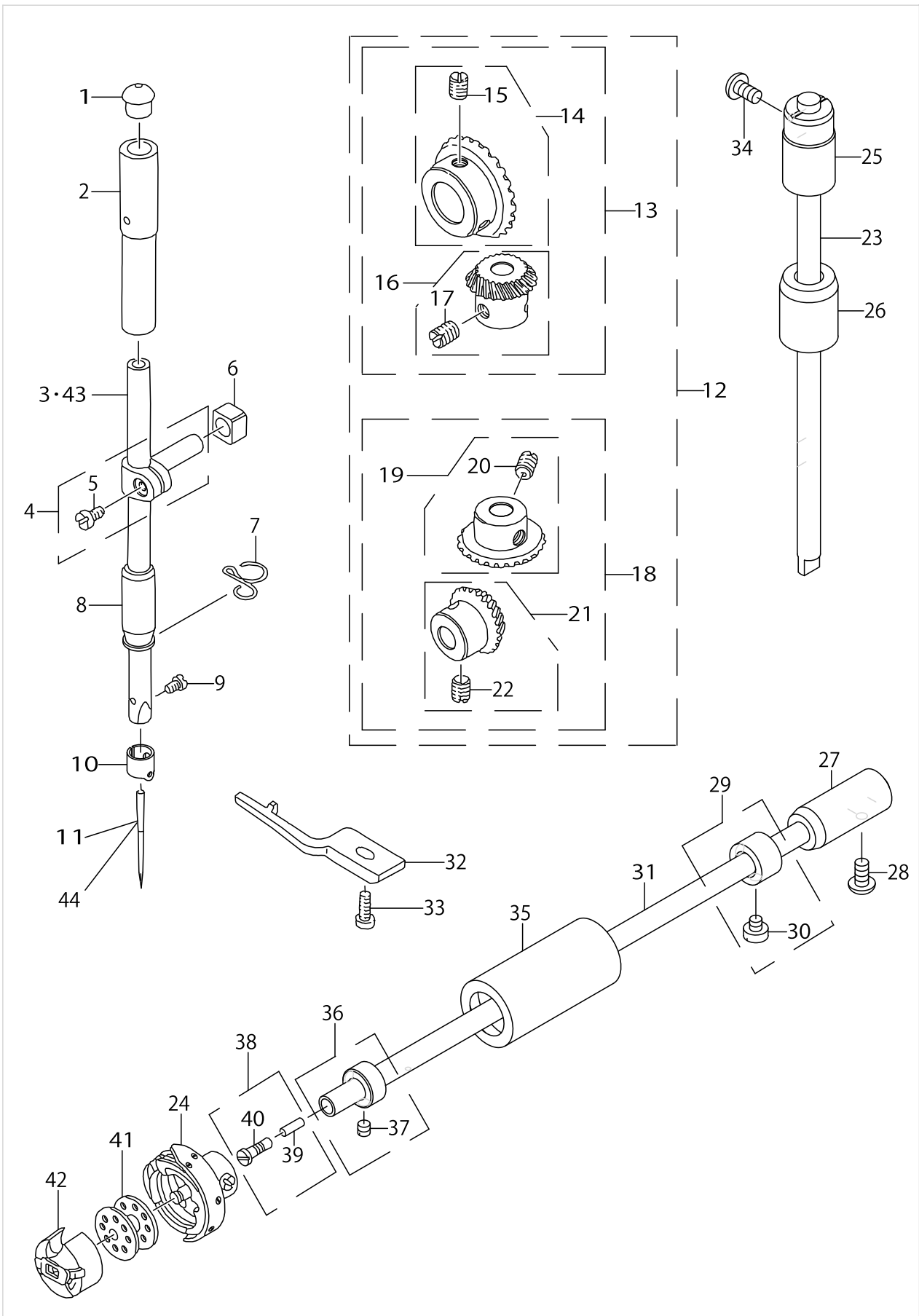
MAIN SHAFT & THREAD TAKE-UP LEVER COMPONENTS



MAIN SHAFT & THREAD TAKE-UP LEVER COMPONENTS

No.	Parts No.	Parts name	Remarks	Level	Cons	Qty
1	SS8151150SP	SCREW 15/64-28 L=10.5				1
2	22919559	THREAD TAKE-UP CRANK SHAFT ASM				1
3	22919203	RUBBER				1
4	11039070	THREAD TAKE-UP LEVER ASM.				1
5	11039062	THREAD TAKE-UP LEVER ASM.		*		1
6	B1905541B00	NEEDLE BEARING		*		2
7	11005204	NEEDLE BAR CRANK		*		1
8	B1408552000	NEEDLE BAR CRANK ROD		*		1
9	B1903552000	LEFT SCREW		*		1
10	22903157	COUNTER WEIGHT ASM.				1
11	SS8681650TP	SCREW 9/32-28 L=16		*		1
12	SS8660610TP	SCREW 1/4-40 L=6		*		2
13	RO044240100	RUBBER RING		*		1
14	SS7681650TP	SCREW 9/32-28 L=16		*		1
15	22903108	COUNTER WEIGHT		*		1
16	22910053	FEED DRIVE ECCENTRIC CAM ASM.				1
17	SS6661110SP	SCREW 1/4-40 L=11		*		2
18	22910004	FEED DRIVE ECCENTRIC CAM		*		1
19	SS6090650SP	SCREW 9/64-40 L=6				2
20	22903405	MAIN SHAFT BUSHING, REAR				1
21	22903504	OIL SEAL				1
22	RC1850001KP	SNAP RING 18.5				1
23	22904155	THRUST COLLAR ASM.				1
24	SS8660610TP	SCREW 1/4-40 L=6		*		2
25	22903207	MAIN SHAFT FRONT BUSHING				1
26	22904007	OIL ADJUSTING COLLAR				1
27	22903306	BUSHING,INTERMEDIATE				1
28	22903702	ROLLER FELT				1
29	22927206	HAND WHEEL				1
30	SS8151550SP	SCREW 15/64-28 L=15				2
31	22903009	UPPER SHAFT				1
32	22903900	OIL AMOUNT ADJUSTING PIN				1
33	RO029180100	RUBBER RING				1
34	22910103	THRUST COLLAR				1

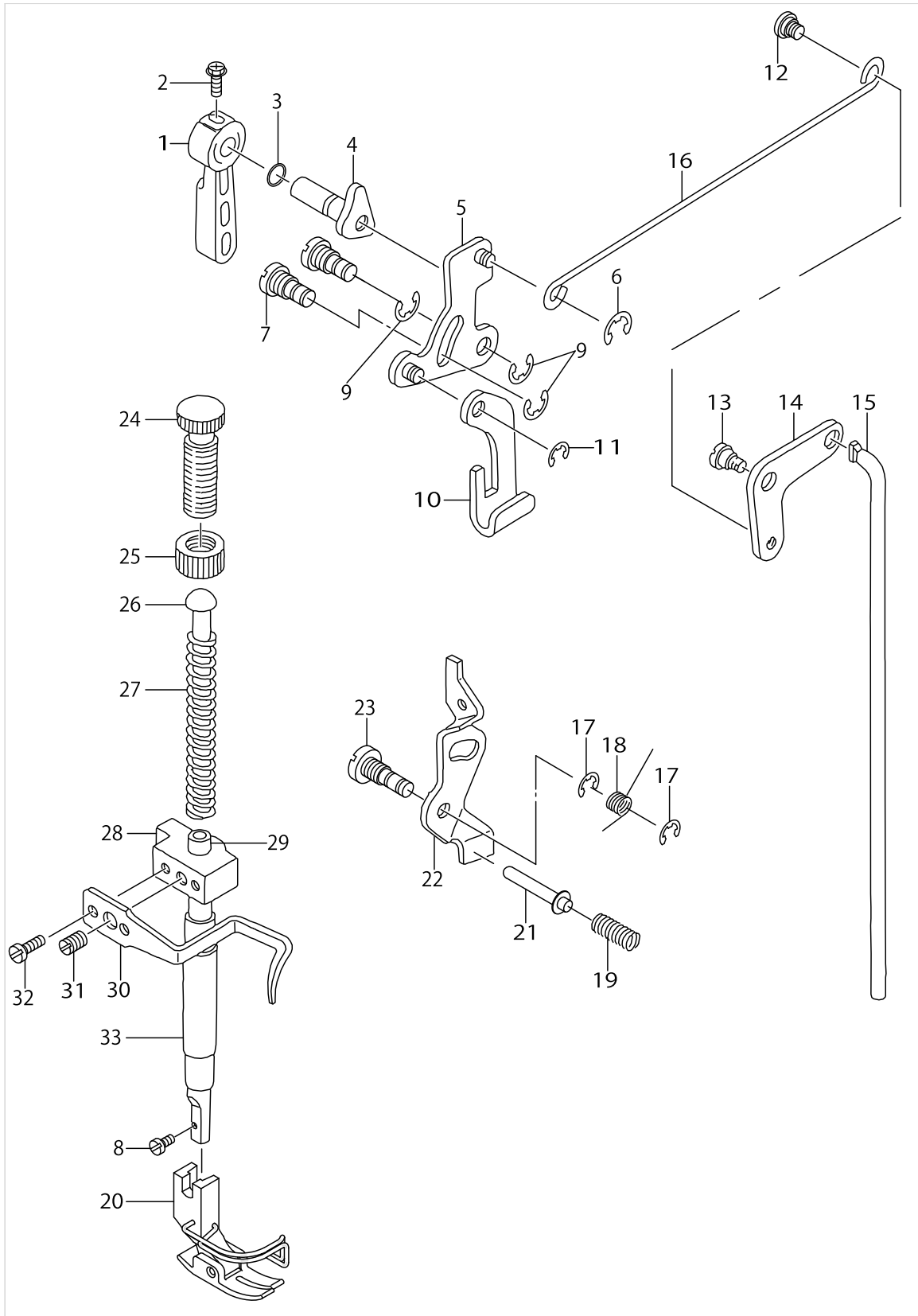
NEEDLE BAR, UPRIGHT SHAFT & HOOK DRIVING SHAFT COMPONENTS



NEEDLE BAR, UPRIGHT SHAFT & HOOK DRIVING SHAFT COMPONENTS

No.	Parts No.	Parts name	Remarks	Level	Cons	Qty
1	22901409	CAP				1
2	22906101	NEEDLE BAR BUSHING ,UPPER				1
3	22906002	NEEDLE BAR				1
4	22906457	NEEDLE ROD HOLDER ASM.				1
5	SS6090670TP	SCREW 9/64-40 L=6		*		1
6	22906507	SLIDE BLOCK				1
7	22920805	NEEDLE BAR THREAD GUIDE				1
8	22906200	NEEDLE BAR BUSHING, LOWER				1
9	SS7080510TP	SCREW 1/8-44 L=4.5				1
10	22906309	NEEDLE BAR THREAD GUIDE				1
11	MDB100B1400	NEEDLE DBX1 #14				1
12	B13061550C0	GEAR & PINION ASM.				1
13	B13061550B0	GEAR & PINION ASM., UPPER		*		1
14	B13050120A0	GEAR ASM.		*		1
15	SS8660810TP	SCREW 1/4-40 L=8		*		2
16	B13061550A0	PINION ASM.		*		1
17	SS8660810TP	SCREW 1/4-40 L=8		*		2
18	B13071550B0	GEAR & PINION ASM., LOWER		*		1
19	B13071550A0	GEAR ASM. LARGE		*		1
20	SS8660810TP	SCREW 1/4-40 L=8		*		2
21	B13081550A0	PINION ASM.		*		1
22	SS8660810TP	SCREW 1/4-40 L=8		*		2
23	22905004	UPRIGHT SHAFT				1
24	B18301270A0	HOOK ASM.				1
25	22905103	UPRIGHT SHAFT BUSHING ,LOWER				1
26	22905202	UPRIGHT SHAFT BUSHING ,LOWER				1
27	22916308	BUSHING ,REAR				1
28	SS4120915SP	SCREW 3/16-28 L=9				1
29	22917157	THRUST COLLAR ASM.				1
30	SS6110420TP	SCREW 11/64-40 L=4.8		*		2
31	22916001	LOWER SHAFT				1
32	22916407	BOBBIN CASE HOLDER				1
33	SS4110915SP	SCREW 11/64-40 L=9				1
34	SS4120915SP	SCREW 3/16-28 L=9				1
35	22916100	LOWER SHAFT FRONT METAL				1
36	22917058	THRUST COLLAR ASM.				1
37	SS8110410TP	SCREW 11/64-40 L= 3.5		*		2
38	22916555	OIL SEAL SCREW ASM.				1
39	22916605	OIL WICK		*		1
40	22916506	OIL SEAL SCREW		*		1
41	22932909	BOBBIN				1
42	B18370120A0	BOBBIN CASE ASM.				1
43	11141108	NEEDLE BAR				1
44	MC200500900	NEEDLE 134 90				1

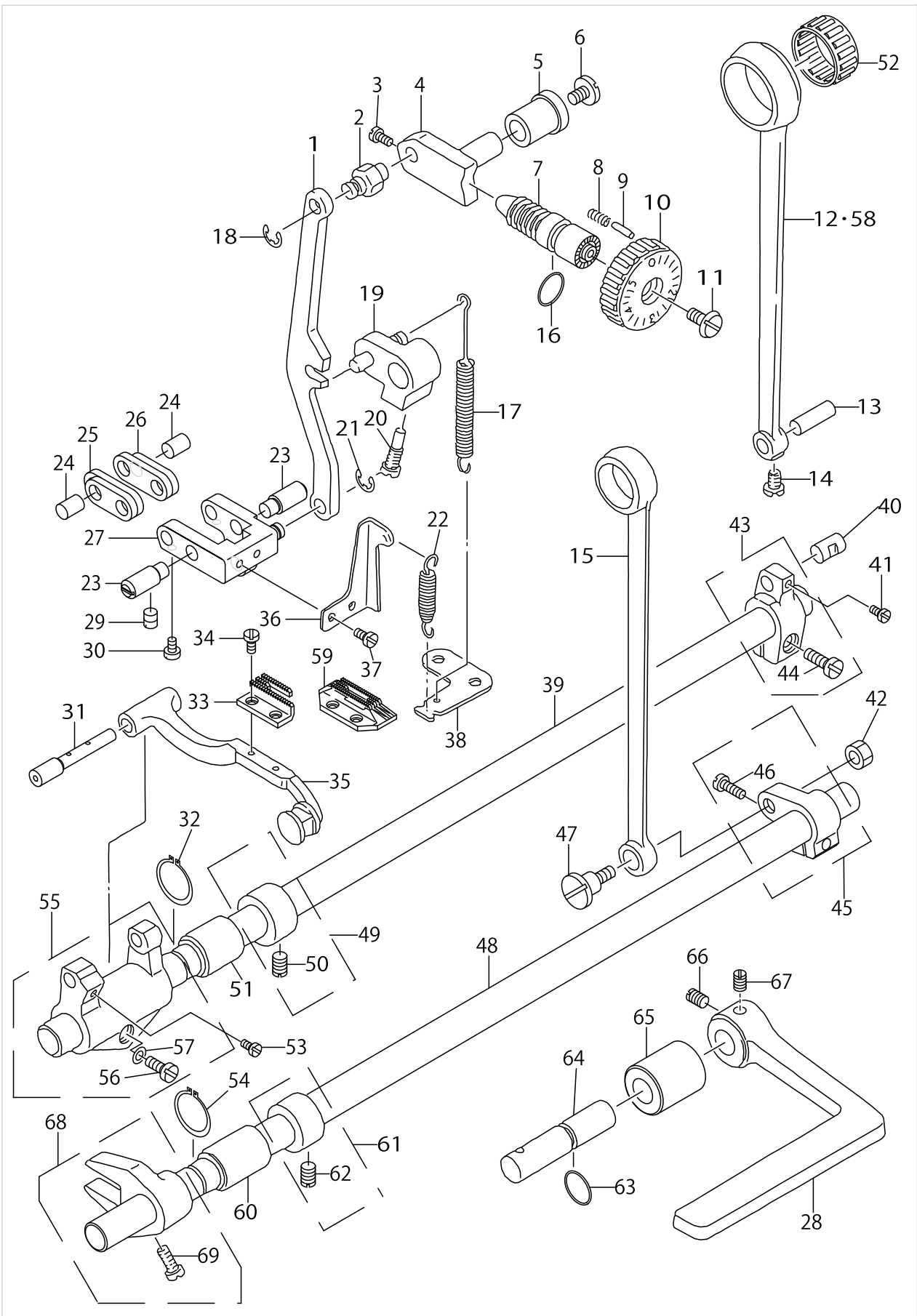
HAND LIFTER COMPONENTS



HAND LIFTER COMPONENTS

No.	Parts No.	Parts name	Remarks	Level	Cons	Qty
1	22907802	HAND LIFTER				1
2	B1521555000	SCREW				1
3	RO037180100	RUBBER RING				1
4	22908552	HAND LIFTER CAM ASM.				1
5	22908156	HAND LIFTER LINK				1
6	RE0500000K0	E-RING				1
7	11006509	LINK SHAFT				1
8	SS7091110SP	SCREW 9/64-40 L=10.5				1
9	RE0500000K0	E-RING				3
10	22908008	LIFTING LEVER				1
11	RE0500000K0	E-RING				1
12	22908909	HINGE SCREW				1
13	SD0720331SP	HINGE SCREW D= 7.24 H= 3.3				1
14	22908800	LIFTING LEVER LINK				1
15	22909006	CONNECTING ROD VERTICAL				1
16	22908305	LIFTING LEVER CONNECTING ROD				1
17	RE0500000K0	E-RING				2
18	22920201	TENSION RELEASE RETURN SPRING				1
19	22920409	TENSION RELEASE PIN SPRING				1
20	B15240120BA	PRESSER FOOT ASM.				1
21	11018306	TENSION RELEASE SUPPORTING PIN				1
22	22920003	TENSION RELEASE PLATE				1
23	11018108	TENSION RELEASE SHAFT				1
24	22907505	PRESSER ADJUSTING SCREW				1
25	22907604	PRESSER ADJUSTING SCREW NUT				1
26	22907703	PRESSER GUIDE BAR				1
27	22907406	PRESSER ADJUSTING SPRING				1
28	22907208	PRESSER BAR GUIDE BRACKET				1
29	22907000	PRESSER BAR				1
30	22907307	PRESSER BAR THREAD GUIDE				1
31	SS8660810TP	SCREW 1/4-40 L=8				1
32	SS6090910SP	SCREW 9/64-40 L=9				2
33	22907109	PRESSER BAR BUSHING, LOWER				1

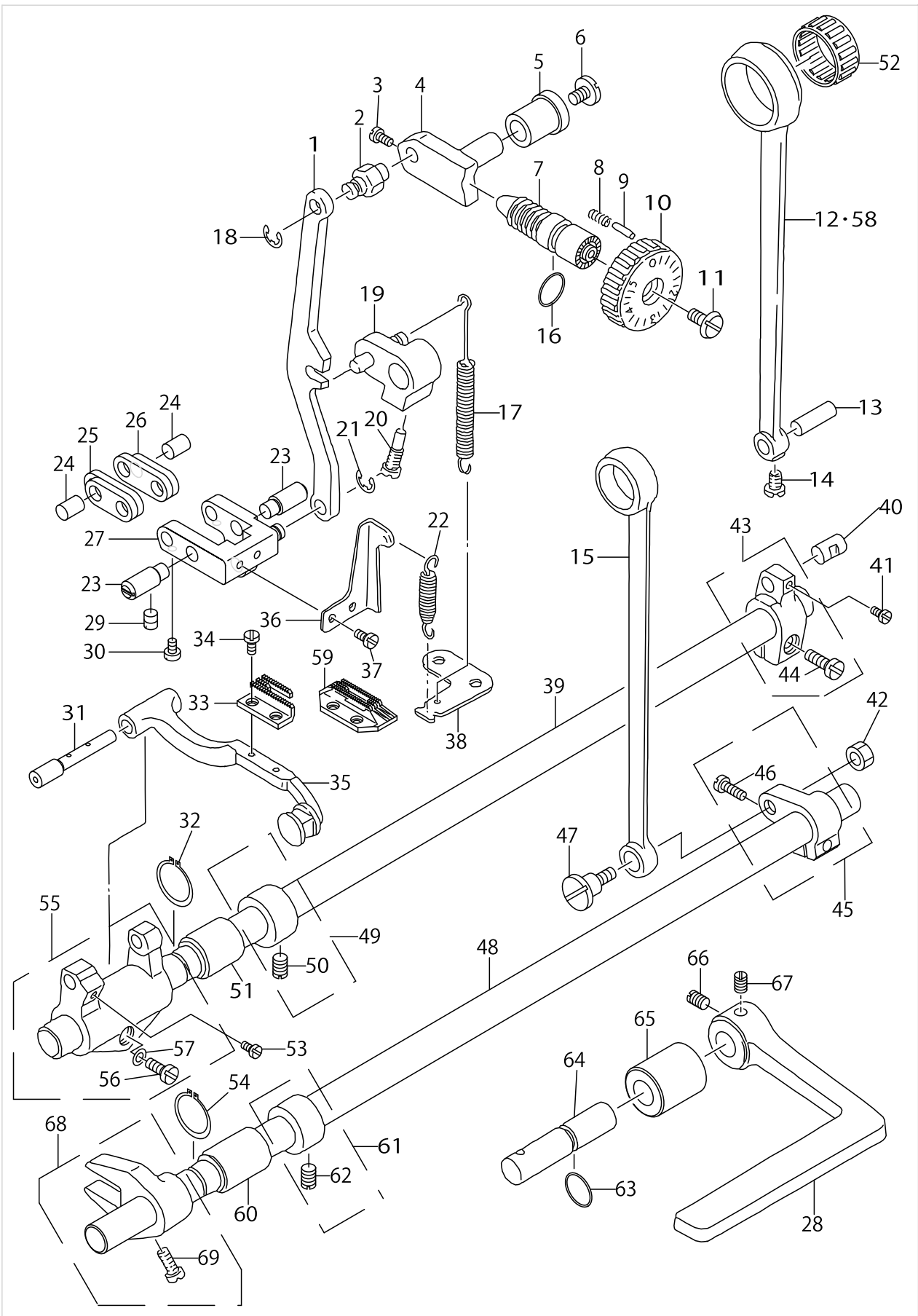
FEED MECHANISM COMPONENTS



FEED MECHANISM COMPONENTS

No.	Parts No.	Parts name	Remarks	Level	Cons	Qty
1	22911408	FEED ADJUST ROD				1
2	22911507	FEED REGULATOR PIN				1
3	SS6090670TP	SCREW 9/64-40 L=6				2
4	22911606	FEED REGULATOR				1
5	22911705	FEED REGULATOR BUSHING				1
6	SS7120770SH	SCREW 3/16-28 L=7				1
7	22911804	FEED REGULATOR SCREW				1
8	22912109	SPRING				1
9	22912000	PIN				1
10	22911903	FEED DIAL				1
11	SS6121860SP	SCREW 3/16-28 L=18				1
12	22910202	ROCKER SHAFT CONNECTING ROD				1
13	22911101	WALKING FOOT PIN C				1
14	SS6090620SP	SCREW 9/64-40 L=6				1
15	22915003	CONNECTING ROD				1
16	RO092270200	RUBBER RING				1
17	22912406	FEED REVERSE SPRING				1
18	RE0500000K0	E-RING				1
19	22912257	FEED REVERSE ARM ASM.				1
20	11010410	FEED REVERSE ARM SCREW				1
21	RE0500000K0	E-RING				1
22	22911309	ADJUSTING LINK SPRING				1
23	22910806	ADJUSTING LINK FULCRUM SHAFT A				2
24	22910905	WALKING FOOT PIN A				2
25	11008703	WALKING FOOT LINK				2
26	11008604	CONNECTING LINK A				2
27	22910459	FEED ADJUST LINK ASM.				1
28	22912703	REVERSE FEED CONTROL LEVER				1
29	SS8150710SP	SCREW 15/64-28 L=7				2
30	SS6090620SP	SCREW 9/64-40 L=6				2
31	22913206	FEED BAR SHAFT				1
32	RC0150001KP	RETAINING RING 13.8				1
33	B1613012A00	FEED DOG A				1
34	SS4080620TP	SCREW 1/8-44 L=6				2
35	22913354	FEED BASE ASM.				1
36	22941306	ADJUSTING LINK SPRING GUIDE				1
37	SS7110510SP	SCREW 11/64-40 L=5				2
38	22913701	FEED SPRING HOOK				1
39	22912901	FEED ROCKER SHAFT				1
40	22911002	WALKING FOOT PIN B				1
41	SS6090620SP	SCREW 9/64-40 L=6				1
42	NS6680410SP	NUT 9/32-28				1
43	22910350	FEED ROCKER SHAFT CRANK ASM.				1
44	SS7121410TP	SCREW 3/16-28 L=14		*		1
45	22915151	FEED ARM COMPL.				1
46	SS7121610SP	SCREW 3/16-28 L=15.5		*		1
47	SD1000801SH	HINGE SCREW D=10 H=8				1

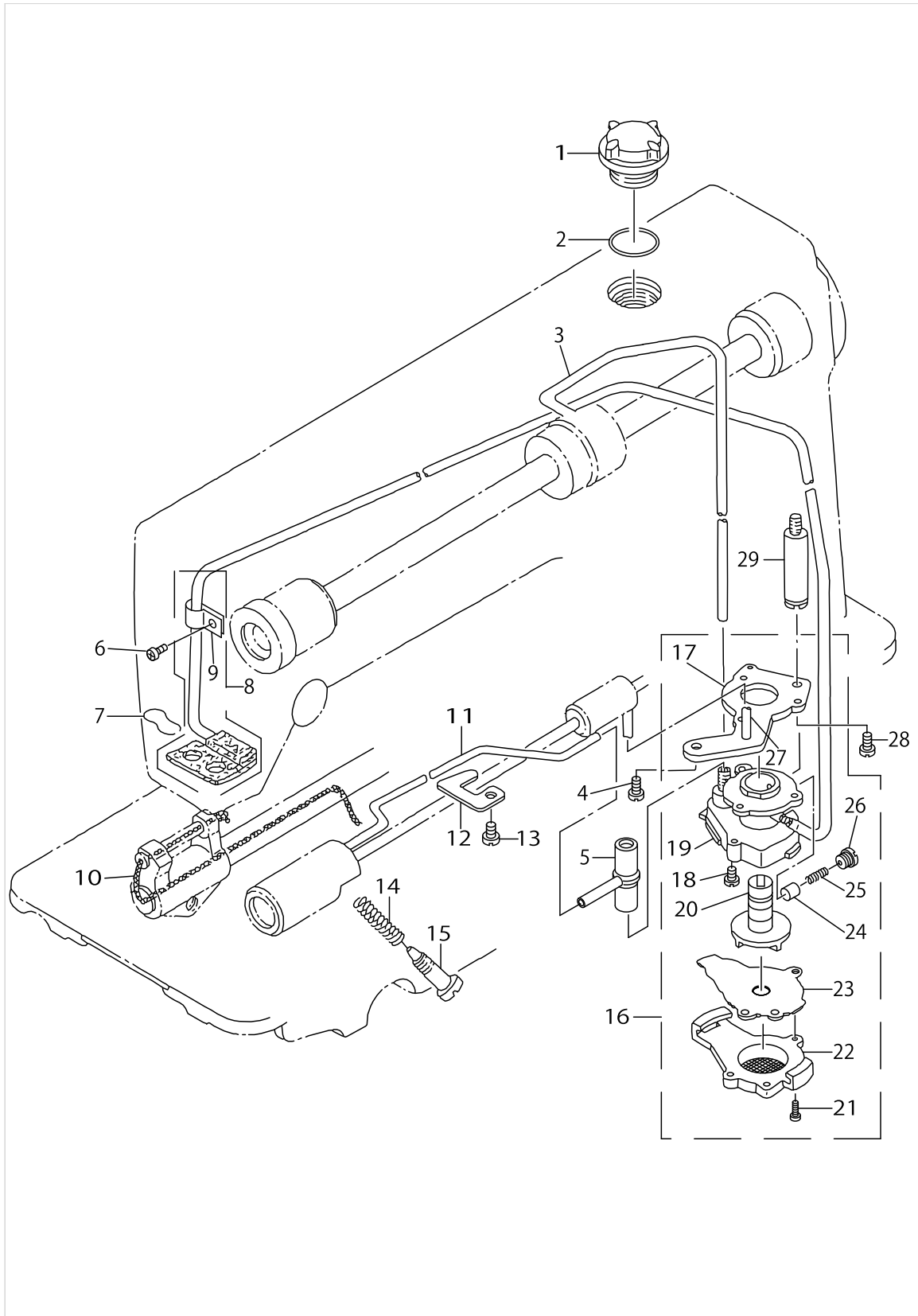
FEED MECHANISM COMPONENTS



FEED MECHANISM COMPONENTS

No.	Parts No.	Parts name	Remarks	Level	Cons	Qty
48	22915201	FEED DRIVING SHAFT				1
49	22904155	THRUST COLLAR ASM.				1
50	SS8660610TP	SCREW 1/4-40 L=6		*		2
51	22913008	FEED ROCKER SHAFT BUSHING				1
52	B1636581C00	NEEDLE BEARING				1
53	SS7110740TP	SCREW 11/64-40 L=7				1
54	RC0150001KP	RETAINING RING 13.8				1
55	22913156	FEED BAR CRANK ASM.				1
56	SS7121410TP	SCREW 3/16-28 L=14		*		1
57	WP0480856SP	WASHER 4.8X8.4X0.8		*		1
58	22913800	HORIZONTAL FEED ROD B				1
59	B1613012I00	FEED DOG I				1
60	22913008	FEED ROCKER SHAFT BUSHING				1
61	22904155	THRUST COLLAR ASM.				1
62	SS8660610TP	SCREW 1/4-40 L=6		*		1
63	RO078190100	RUBBER RING				1
64	22912604	FEED REVERSE SHAFT				1
65	22912802	FEED LEVER METAL				1
66	SM8061050TP	SCREW				1
67	SM8061010TP	SCREW				1
68	22915300	RIVING SHAFT CRANK				1
69	SS7111120SP	SCREW 11/64-40 L=10.5		*		1

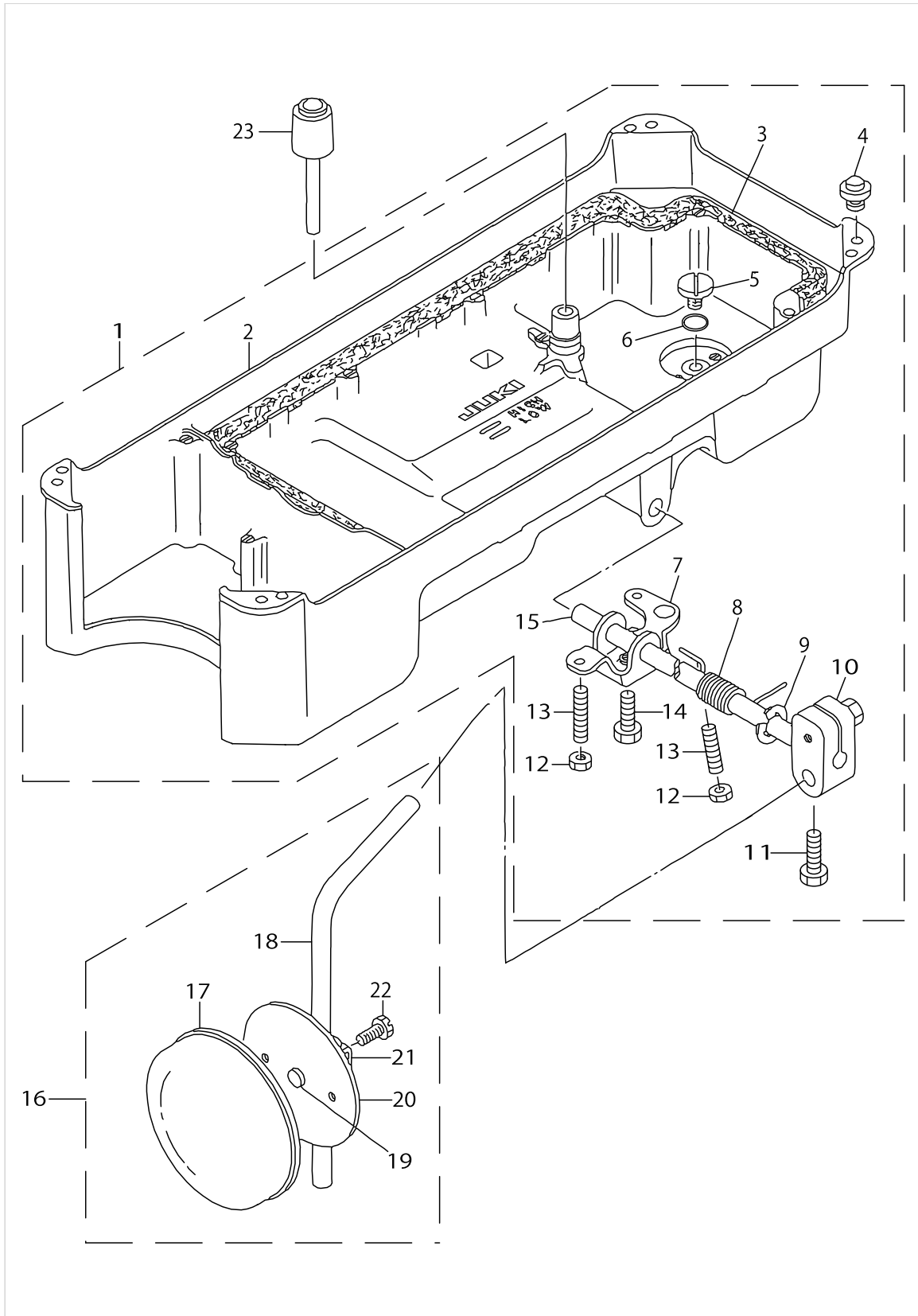
OIL LUBRICATION COMPONENTS



OIL LUBRICATION COMPONENTS

No.	Parts No.	Parts name	Remarks	Level	Cons	Qty
1	22924708	OIL SIGHT WINDOW				1
2	RO195240100	RUBBER RING				1
3	22924401	MAIN SHAFT OIL TUBE				1
4	SS4150915SP	SCREW 15/64-28 L=9				1
5	22924609	MAIN SHAFT OIL TUBE				1
6	SS4120615SP	SCREW 3/16-28 L=6				1
7	22925101	OIL FELT PRESSER				1
8	22924153	OIL RETURN TUBE ASM.				1
9	22924302	HOLDER		*		1
10	CQ252000000	OIL WICK				0.21
11	22924500	OIL TUBE				1
12	22924807	TUBE HOLDER ,LOWER				1
13	SS4150915SP	SCREW 15/64-28 L=9				1
14	22924906	SPRING				1
15	22925002	OIL ADJUSTING SCREW				1
16	22923056	LUBRICATING OIL PUMP ASM.				1
17	22923304	OIL PUMP INSTALLING BASE		*		1
18	SL4030851SF	SCREW M3 L=8		*		3
19	22923007	OIL PUMP		*		1
20	22923700	OIL PUMP IMPELLER		*		1
21	SE4301041SR	SCREW D=3 L=10		*		3
22	22923205	LUBRICATING OIL PUMP COVER		*		1
23	22923809	OIL PUMP IMPELLER COVER		*		1
24	22923403	PLUNGER		*		1
25	22923601	PLUNGER SCREW		*		1
26	22923502	PLUNGER SCREW		*		1
27	22923908	HOOK DRIVING SHAFT OIL TUBE		*		1
28	SS6111010TP	SCREW 11/64-40 L= 9.5				1
29	22924005	OIL PUMP SUPPORT				1

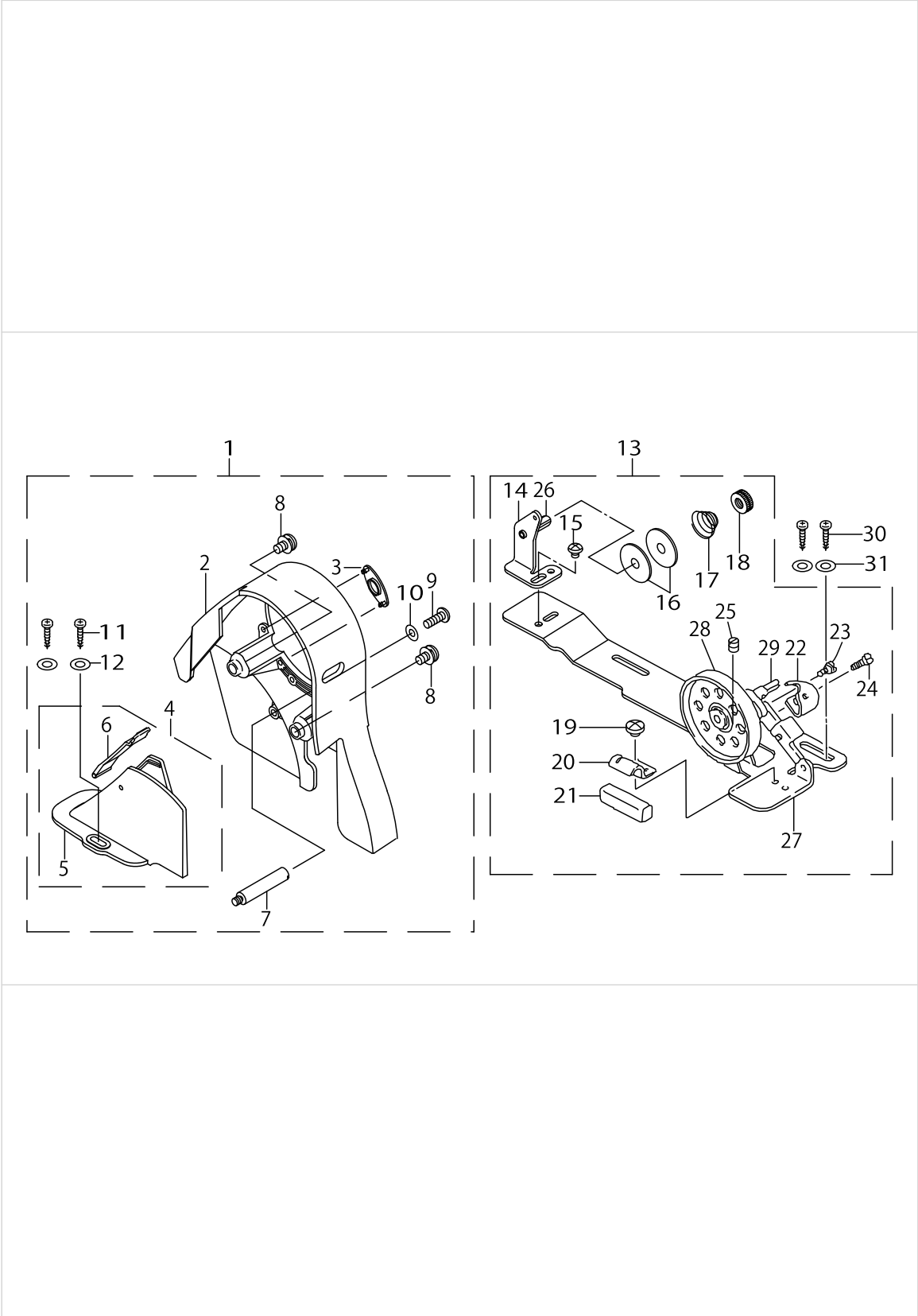
OIL RESERVOIR COMPONENTS



OIL RESERVOIR COMPONENTS

No.	Parts No.	Parts name	Remarks	Level	Cons	Qty
1	11047057	OIL RESERVOIR ASM.				1
2	11023017	OIL RESERVOIR		*		1
3	11024700	GASKET		*		1
4	11047107	RUBBER CUSHION		*		4
5	SS6700710SH	SCREW 5/16-24 L=7		*		1
6	RO108240100	RUBBER RING		*		1
7	11024015	CONNECTING ROT, VERTICAL		*		1
8	11024106	SPRING		*		1
9	RE1000000K0	E-RING 10		*		1
10	11024510	BRACKET		*		1
11	SM9062053SR	SCREW M6 L=20		*		2
12	NM6060001SE	NUT M6		*		2
13	SM8063012TR	SCREW M6 L=30		*		2
14	SM9061853SR	SCREW M6 L=17.5		*		1
15	11024205	KNEE PRESS ROD		*		1
16	22934251	KNEE PRESS PLATE ASM.				1
17	22934509	KNEE PRESS PLATE COVER		*		1
18	22934608	KNEE PRESS PLATE ROD		*		1
19	22934400	KNEE PRESS PLATE RUBBER		*		1
20	22934202	KNEE PRESS PLATE		*		1
21	22934301	KNEE PRESS PLATE HOLDER		*		1
22	SM9061203SE	SCREW M6 L=12		*		1
23	22931703	KNEE PRESS LIFTER ROD				1

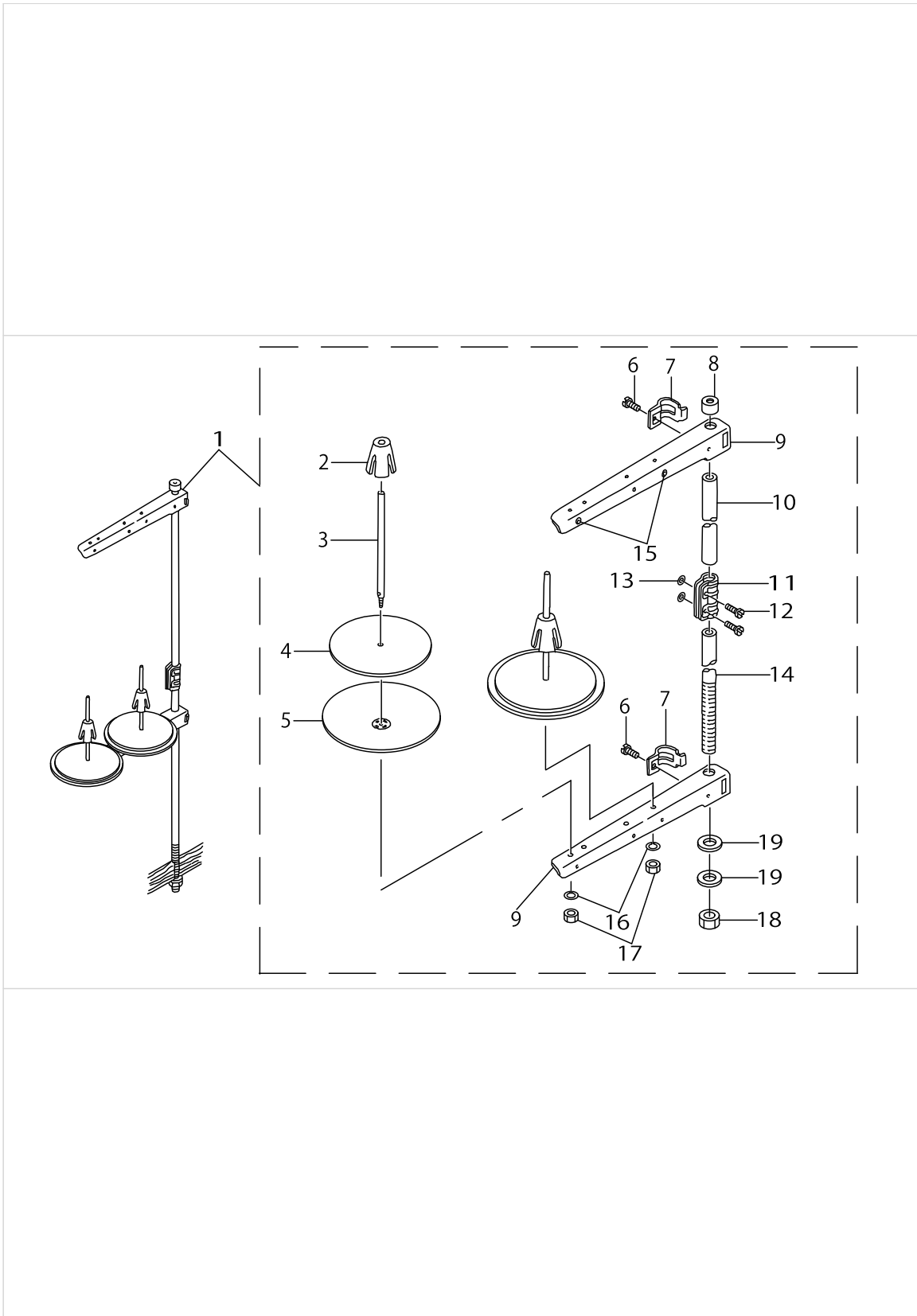
BELT COVER & BOBBIN WINDER COMPONENTS



BELT COVER & BOBBIN WINDER COMPONENTS

No.	Parts No.	Parts name	Remarks	Level	Cons	Qty
1	22933451	BELT COVER ASM.				1
2	22933402	BELT COVER A		*		1
3	22933501	BELT COVER A CAP		*		1
4	22933659	BELT COVER B ASM.		*		1
5	22933600	BELT COVER B		*		1
6	22933758	BELT COVER B CAP ASM.		*		1
7	22933907	BELT COVER SUPPORT ,A		*		1
8	22934004	BELT COVER A SCREW		*		2
9	SS4121415SP	SCREW 3/16-28 L=14		*		1
10	WP0501016SD	WASHER 5X10.5X1		*		1
11	SK3412000SC	WOOD SCREW D=4.1 L=20		*		2
12	WP0450826SC	WASHER 4.5X10X0.8		*		2
13	22927354	BOBBIN WINDER COMPL.				1
14	22928501	THREAD TENSION BRACKET		*		1
15	SS4110515SP	SCREW 11/64-40 L=5		*		1
16	22928907	THREAD TENSION DISK		*		2
17	22929004	THREAD TENSION SPRING		*		1
18	22928808	THREAD TENSION NUT		*		1
19	SS7110350SP	SCREW 11/64-40 L=3.5		*		1
20	22928402	RUBBER BRAKE PRESSER PLATE		*		1
21	22928303	RUBBER BRAKE		*		1
22	22928105	POSITIONING FINGER		*		1
23	SD0490261SP	HINGE SCREW D=4.9 H=2.6		*		1
24	SS7081310SP	SCREW 1/8-44 L=12.5		*		1
25	SS8110510SP	SCREW 11/64-40 L=5		*		1
26	22928709	THREAD TENSION BRACKET		*		1
27	22927305	BOBBIN BASE		*		1
28	22927404	BOBBIN PULLEY		*		1
29	22927602	BOBBIN WINDER POST		*		1
30	SK3412000SC	WOOD SCREW D=4.1 L=20				2
31	WP0450826SC	WASHER 4.5X10X0.8				2

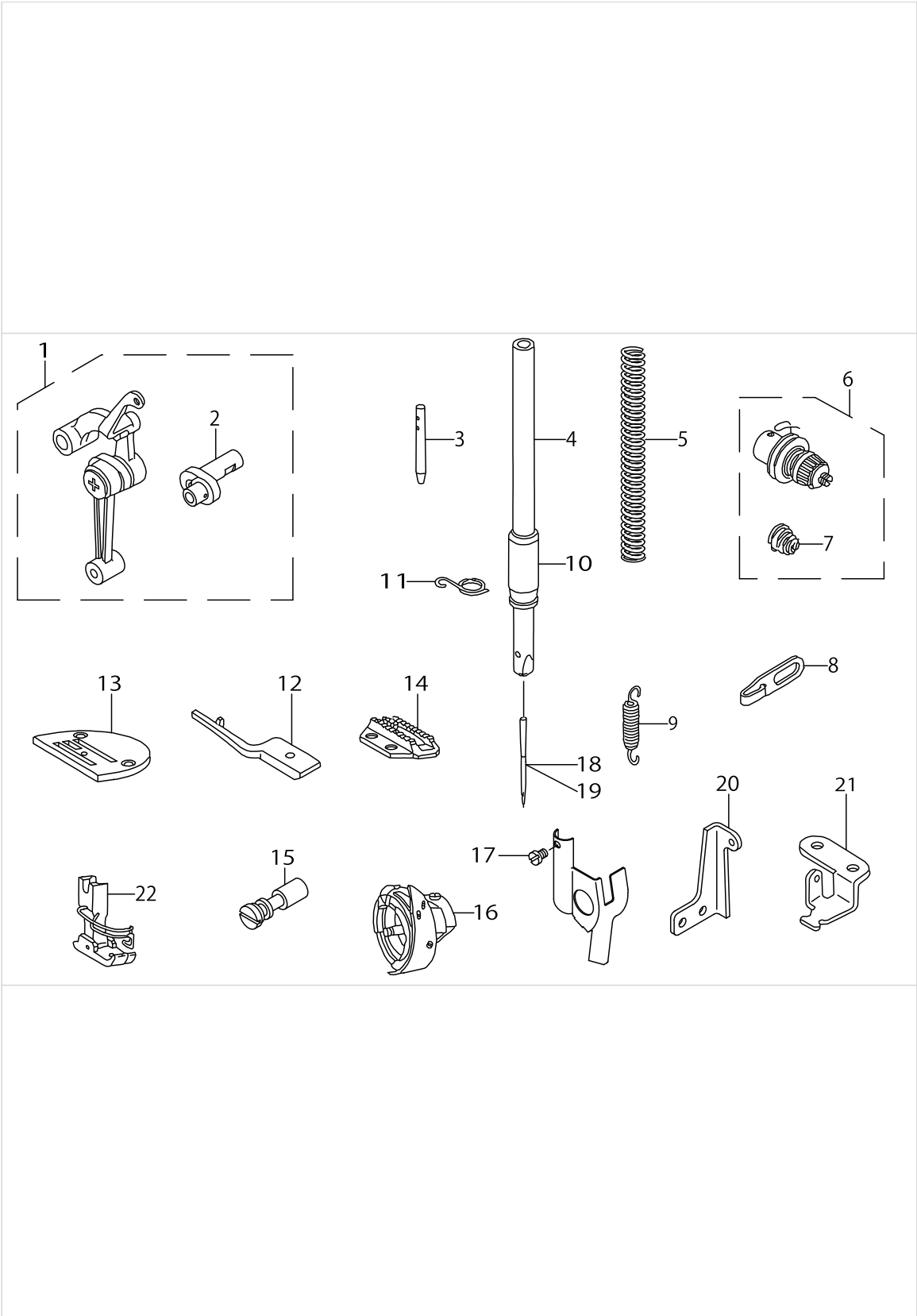
THREAD STAND COMPONENTS



THREAD STAND COMPONENTS

No.	Parts No.	Parts name	Remarks	Level	Cons	Qty
1	22930358	THREAD STAND ASM.				1
2	22931109	SPOOL RETAINER		*		2
3	22931000	SPOOL PIN		*		2
4	22930903	SPOOL REST CUSHION		*		2
5	22930804	SPOOL REST		*		2
6	SM6061610SC	SCREW M6 L=16		*		2
7	22930705	THREAD GUIDE ARM JOINT		*		2
8	22931406	SPOOL REST ROD RUBBER CAP		*		1
9	22930507	SPOOL REST ARM		*		2
10	22930408	SPOOL REST ROD, UPPER		*		1
11	22931307	SPOOL REST ROD JOINT		*		1
12	SM4051405SE	SCREW M5 L=14		*		2
13	NM6050001SE	NUT M5		*		2
14	22930309	SPOOL REST ROD, LOWER		*		1
15	22931208	THREAD GUIDE		*		2
16	WS0510002KN	SPRING WASHER		*		2
17	NM6050001SE	NUT M5		*		2
18	NM6160511SE	NUT M16X1.5		*		1
19	WP1702600S0	WASHER 17X30X2.6		*		2

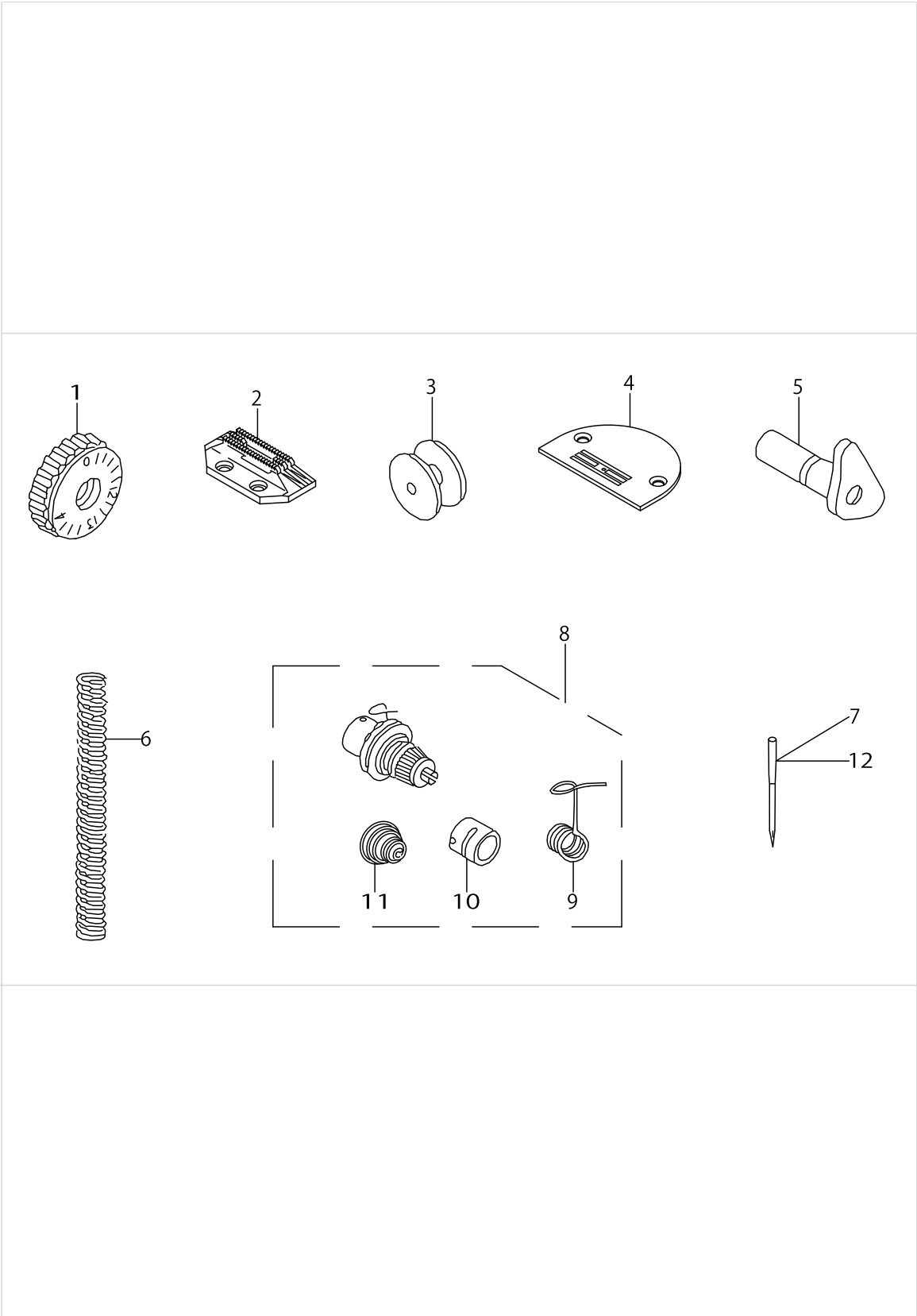
EXCLUSIVE PARTS FOR DDL-8500H



EXCLUSIVE PARTS FOR DDL-8500H

No.	Parts No.	Parts name	Remarks	Level	Cons	Qty
1	11091659	LINK THREAD TAKE-UP LEVER ASM.				1
2	11091600	NEEDLE BAR CRANK H		*		1
3	B1114012000	THREAD GUIDE PIN				1
4	11091303	NEEDLE BAR				1
5	B1505552000A	PRESSER SPRING				1
6	11073558	THREAD TENSION ASM.				1
7	B3114232000	THREAD TENSION SPRING		*		1
8	11091006	ARM THREAD GUIDE (HA)				1
9	11091204	ADJUST LINK SPRING				1
10	B1403553000	NEEDLE BAR BUSHING, LOWER				1
11	B1419553000	NEEDLE BAR THREAD GUIDE				1
12	11091709	POSITIONING FINGER				1
13	B1109555H0B	THROAT PLATE (H)				1
14	B1613555H00	FEED DOG (H)				1
15	B1213552000A	OIL ADJUSTING PIN				1
16	11092459	LUBRICATING HOOK ASM.				1
17	SS6080320SP	SCREW 1/8-44 L= 2.5				1
18	MC200501300	NEEDLE 134 NM130				1
19	MDB100B2100	NEEDLE DBX1 #21				1
20	11092301	ADJUSTING LINK SPRING GUIDE				1
21	11091907	FEED SPRING HOOK				1
22	B1511543BBA	HINGED PRESSER FOOT ASM.				1

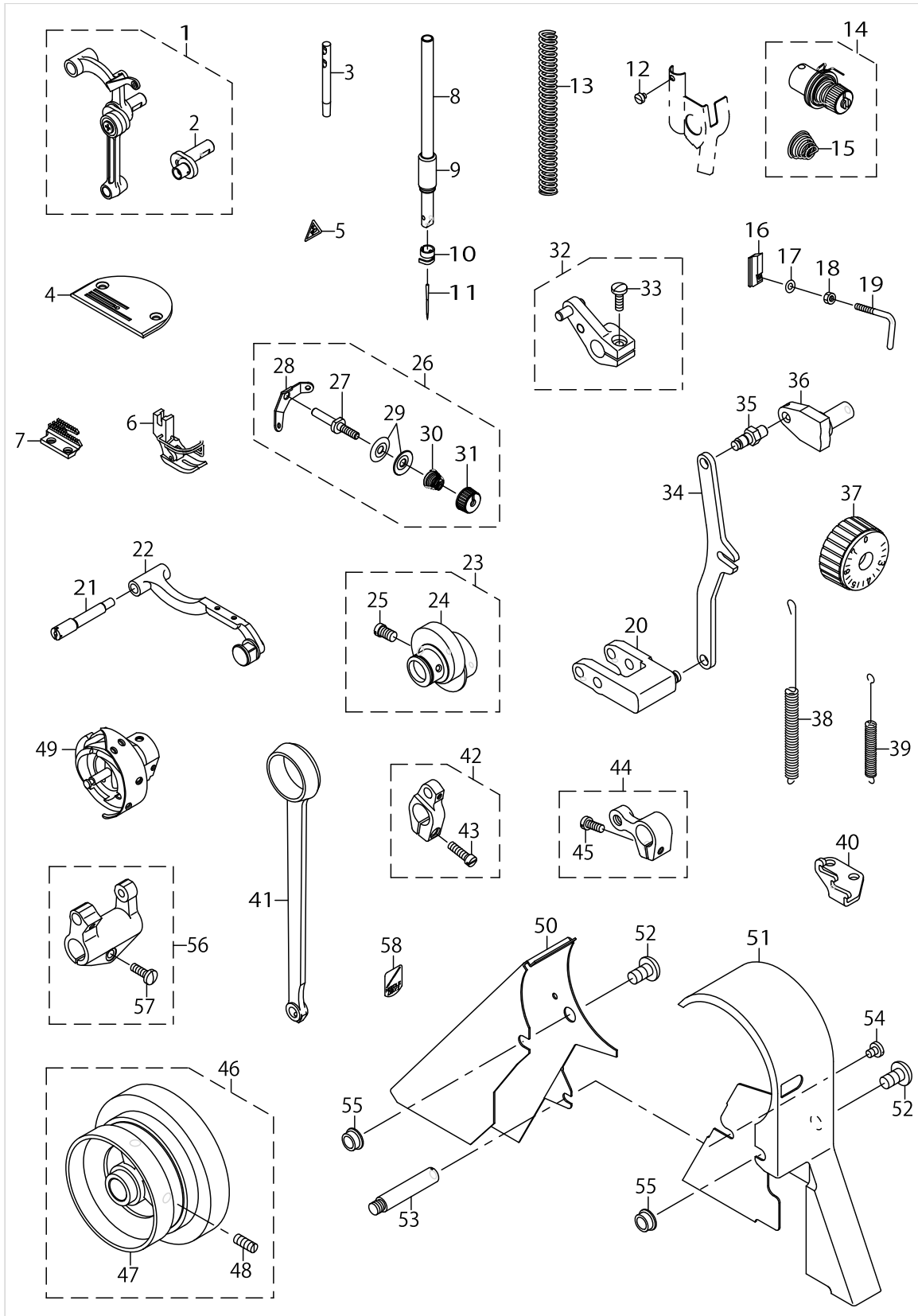
EXCLUSIVE PARTS FOR DDL-8500A



EXCLUSIVE PARTS FOR DDL-8500A

No.	Parts No.	Parts name	Remarks	Level	Cons	Qty
1	22940506	FEED DIAL				1
2	B1613012I00	FEED DOG I				1
3	B9117552A00	BOBBIN				1
4	B1109012I0B	THROAT PLATE (I)				1
5	11092558	HAND LIFTER CAM ASM.				1
6	B1505227T00A	PRESSER SPRING T				1
7	MDA100B0900	NEEDLE DAX1 #9				1
8	11073756	THREAD TENSION ASM.				1
9	D3128555D00	TAKE-UP SPRING		*		1
10	B3111126000	TENSION POST SOCKET		*		1
11	D3129555D00	THREAD TENSION SPRING		*		1
12	MC200500650	NEEDLE 134 NM65				1

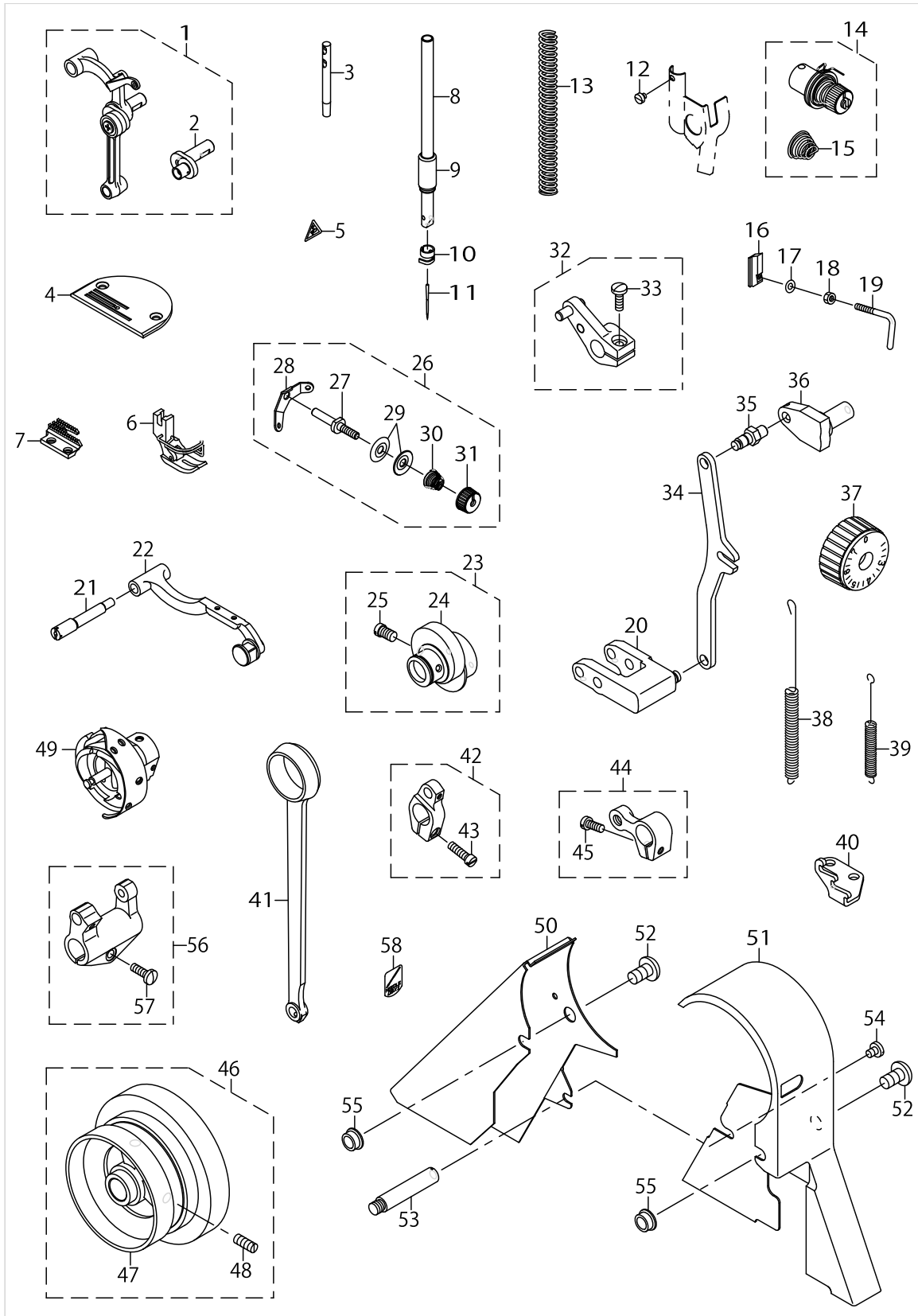
EXCLUSIVE PARTS FOR DDL-8500L



EXCLUSIVE PARTS FOR DDL-8500L

No.	Parts No.	Parts name	Remarks	Level	Cons	Qty
1	11062858	LINK THREAD TAKE-UP LEVER ASM.				1
2	11062809	NEEDLE BAR CRANK		*		1
3	22958300	NEEDLE THREAD GUIDE PIN				1
4	22970008	THROAT PLATE				1
5	CM300200001	ATTENTION SEAL				1
6	D1524126WBA	PRESSER FOOT ASM.				1
7	22972103	FEED DOG				1
8	22970206	NEEDLE BAR				1
9	22970305	NEEDLE BAR BUSHING ,LOWER				1
10	22970404	NEEDLE BAR THREAD HOOK				1
11	MDB100B2100	NEEDLE DBX1 #21				1
12	SS6080320SP	SCREW 1/8-44 L= 2.5				1
13	B1505552000A	PRESSER SPRING				1
14	22962054	THREAD TENSION ASM.				1
15	22962005	THREAD TENSION SPRING		*		1
16	22972707	THREAD GUIDE C FITTING PLATE				1
17	WP0371016SD	WASHER 3.7X8X1				1
18	NS6090310SP	NUT 9/64-40				1
19	22972608	ARM THREAD GUIDE C				1
20	22970958	FEED ADJUST LINK ASM.				1
21	22940803	FEED BASE SHAFT				1
22	22971857	FEED BASE ASM.				1
23	22970552	FEED ECCENTRIC CAM ASM.				1
24	22970503	FEED ECCENTRIC CAM L		*		1
25	22972806	FEED ECCENTRIC CAM SETSCREW		*		2
26	22945455	THREAD TENSION ASM. ,NO.1				1
27	22945406	THREAD TENSION POST		*		1
28	22945604	THREAD TENSION GUIDE		*		1
29	22945802	THREAD TENSION DISK		*		2
30	22945505	THREAD TENSION SPRING		*		1
31	22945703	THREAD TENSION NUT		*		1
32	22971550	FEED LEVER ARM ASM.				1
33	SS7121410TP	SCREW 3/16-28 L=14		*		1
34	22971105	FEED REGULATOR ROD				1
35	22971204	FEED REGULATOR BASE PIN				1
36	22971303	FEED REGULATOR BASE				1
37	22971402	FEED DIAL				1
38	22971006	FEED REGULATOR BASE SPRING				1
39	22971709	FEED REVERSE SPRING				1
40	22970602	FEED SPRING HOOK				1
41	22970701	HORIZONTAL FEED ROD				1
42	22970859	HORIZONTAL FEED ARM ASM.				1
43	SS6121610SP	SCREW 3/16-28 L=15.5		*		1
44	22972251	VERTICAL FEED ARM ASM.				1
45	SS6121610SP	SCREW 3/16-28 L=15.5		*		1
46	22970156	HAND WHEEL ASM.				1
47	22970107	HAND WHEEL		*		1

EXCLUSIVE PARTS FOR DDL-8500L



EXCLUSIVE PARTS FOR DDL-8500L

No.	Parts No.	Parts name	Remarks	Level	Cons	Qty
48	SS8151550SP	SCREW 15/64-28 L=15		*		2
49	11062759	OIL HOOK ASM.				1
50	11072907	BELT COVER, A				1
51	11073004	BELT COVER, B				1
52	SS4701415SD	SCREW				2
53	11023504	BELT COVER SUPPORT, A				1
54	SS7120640SP	SCREW 3/16-28 L=6				1
55	11023603	BELT COVER COLLAR				2
56	22940654	FEED ROCKER ASM.				1
57	SS7121410TP	SCREW 3/16-28 L=14		*		1
58	22967301	NEEDLE SEAL				1

LIST FOR INFORMATION OF CHANGE

As to the place changed, refer to the corresponding Rev.No.
 When previous parts(Obsoleted part)and new parts(Added parts)are
 not interchangeable with each other:
 In this case,even obsoleted parts(D.)can be ordered with the
 obsoleted part number,so select the parts with changed dates and
 place your orders.

変更箇所は,該当Rev.No.版をご参照ください。

部品の互換性がない変更の場合は,削除された品番でも,ご注文できます。

29299609
 No.1199-01・・・Rev.No.

*A:Added parts追加部品/D:Obsoleted parts削除部品/E:Erratum訂正

*	Rev. No.	Page 頁	Ref. No.	Parts No. 品番	*	Rev. No.	Page 頁	Ref. No.	Parts No. 品番
					A	01	20		ALL PARTS-全部

HOW TO MAKE USE OF THIS PARTS LIST

1.Explanation of codes

1)"*"mark.....means this part is changed from the previous parts book.

As to the details of the change, refer to the "List for information of change".

2)"#01".....refer to "Note" explanation at bottom of page.

2.Codes on the "Qty" column

- Each numeral indicates the number of parts required.
- "0.1" and "2.5" indicate the length (in meters) of the respective parts.

3.Parentheses mean that the corresponding part is a subpart that constructs an assembly part.

4.Dotted lines on the Figures indicate assembly parts.

1."注記"欄の記号説明

1) "*"印.....前回のパーツブックに比較して今回変更された部品を意味します。

変更内容は、"変更情報リスト"を参照してください。

2) "#01".....ページ下の"注記"の説明を参照してください。

2.数量欄の数字は、個数を表し、0.1、2.5等の数値は、長さ（単位メートル）を表します。

3.数量欄の（ ）は、組部品を構成している子部品であることを意味します。

4.イラストページの-----枠は、組構成であることを意味します。

NUMERICAL INDEX OF PARTS

PART NO	PAGE	REF NO.	PART NO	PAGE	REF NO.	PART NO	PAGE	REF NO.
10004109	4	52	22901003	2	45	22910004	6	18
11000619	2	9	22901201	2	42	22910053	6	16
11001500	2	22	22901250	2	41	22910103	6	34
11005204	6	7	22901300	2	43	22910202	12	12-58
11006509	10	7	22901409	8	1	22910350	12	43
11008604	12	26	22902159	2	1	22910459	12	27
11008703	12	25	22902209	2	2	22910806	12	23
11010410	12	20	22902605	4	54	22910905	12	24
11018108	10	23	22903009	6	31	22911002	12	40
11018306	10	21	22903108	6	15	22911101	12	13
11023017	18	2	22903157	6	10	22911309	12	22
11023504	30	53	22903207	6	25	22911408	12	1
11023603	30	55	22903306	6	27	22911507	12	2
11024015	18	7	22903405	6	20	22911606	12	4
11024106	18	8	22903504	6	21	22911705	12	5
11024205	18	15	22903702	6	28	22911804	12	7
11024510	18	10	22903900	6	32	22911903	12	10
11024700	18	3	22904007	6	26	22912000	12	9
11028008	2	35	22904155	6	23	22912109	12	8
11039062	6	5	22904155	14	61	22912257	12	19
11039070	6	4	22905004	8	23	22912406	12	17
11047057	18	1	22905103	8	25	22912604	14	64
11047107	18	4	22905202	8	26	22912703	12	28
11062759	30	49	22906002	8	3-43	22912802	14	65
11062809	28	2	22906101	8	2	22912901	12	39
11062858	28	1	22906200	8	8	22913008	14	60
11072907	30	50	22906309	8	10	22913156	14	55
11073004	30	51	22906457	8	4	22913206	12	31
11073558	24	6	22906507	8	6	22913354	12	35
11073756	26	8	22907000	10	29	22913701	12	38
11091006	24	8	22907109	10	33	22913800	14	12-58
11091204	24	9	22907208	10	28	22915003	12	15
11091303	24	4	22907307	10	30	22915151	12	45
11091600	24	2	22907406	10	27	22915201	14	48
11091659	24	1	22907505	10	24	22915300	14	68
11091709	24	12	22907604	10	25	22916001	8	31
11091907	24	21	22907703	10	26	22916100	8	35
11092301	24	20	22907802	10	1	22916308	8	27
11092459	24	16	22908008	10	10	22916407	8	32
11092558	26	5	22908156	10	5	22916506	8	40
11141108	8	3-43	22908305	10	16	22916555	8	38
18077503	2	47	22908552	10	4	22916605	8	39
22900401	2	8	22908800	10	14	22917058	8	36
22900609	2	18	22908909	10	12	22917157	8	29
22900757	2	4	22909006	10	15	22919203	6	3

NUMERICAL INDEX OF PARTS

PART NO	PAGE	REF NO.	PART NO	PAGE	REF NO.	PART NO	PAGE	REF NO.
22919559	6	2	22928709	20	26	22945604	28	28
22920003	10	22	22928808	20	18	22945703	28	31
22920201	10	18	22928907	20	16	22945802	28	29
22920409	10	19	22929004	20	17	22958300	28	3
22920508	2	21	22930309	22	14	22962005	28	15
22920607	2	37	22930358	22	1	22962054	28	14
22920706	2	17	22930408	22	10	22967301	30	58
22920805	8	7	22930507	22	9	22970008	28	4
22921209	2	29	22930705	22	7	22970107	28	47
22921308	2	24	22930804	22	5	22970156	28	46
22921407	2	25	22930903	22	4	22970206	28	8
22921506	2	28	22931000	22	3	22970305	28	9
22921605	2	30	22931109	22	2	22970404	28	10
22921704	2	26	22931208	22	15	22970503	28	24
22921803	2	27	22931307	22	11	22970552	28	23
22923007	16	19	22931406	22	8	22970602	28	40
22923056	16	16	22931703	18	23	22970701	28	41
22923205	16	22	22932503	2	13	22970859	28	42
22923304	16	17	22932552	2	12	22970958	28	20
22923403	16	24	22932602	2	14	22971006	28	38
22923502	16	26	22932701	2	15	22971105	28	34
22923601	16	25	22932909	8	41	22971204	28	35
22923700	16	20	22933402	20	2	22971303	28	36
22923809	16	23	22933451	20	1	22971402	28	37
22923908	16	27	22933501	20	3	22971550	28	32
22924005	16	29	22933600	20	5	22971709	28	39
22924153	16	8	22933659	20	4	22971857	28	22
22924302	16	9	22933758	20	6	22972103	28	7
22924401	16	3	22933907	20	7	22972251	28	44
22924500	16	11	22934004	20	8	22972608	28	19
22924609	16	5	22934202	18	20	22972707	28	16
22924708	16	1	22934251	18	16	22972806	28	25
22924807	16	12	22934301	18	21	B1109012I0B	2	46-53
22924906	16	14	22934400	18	19	B1109012I0B	26	4
22925002	16	15	22934509	18	17	B1109552000	4	46-53
22925101	16	7	22934608	18	18	B1109555H0B	24	13
22927206	6	29	22940506	26	1	B1114012000	24	3
22927305	20	27	22940654	30	56	B1213552000A	24	15
22927354	20	13	22940803	28	21	B13050120A0	8	14
22927404	20	28	22941306	12	36	B13061550A0	8	16
22927602	20	29	22945307	2	31	B13061550B0	8	13
22928105	20	22	22945356	2	23	B13061550C0	8	12
22928303	20	21	22945406	28	27	B13071550A0	8	19
22928402	20	20	22945455	28	26	B13071550B0	8	18
22928501	20	14	22945505	28	30	B13081550A0	8	21

NUMERICAL INDEX OF PARTS

PART NO	PAGE	REF NO.	PART NO	PAGE	REF NO.	PART NO	PAGE	REF NO.
B1403553000	24	10	RC1850001KP	6	22	SS6090910SP	10	32
B1408552000	6	8	RE0500000K0	10	17	SS6110420TP	8	30
B1419553000	24	11	RE0500000K0	12	21	SS6110610TP	2	38
B1505227T00A	26	6	RE1000000K0	18	9	SS6111010TP	16	28
B1505552000A	24	5	RO029180100	6	33	SS6121610SP	28	45
B1505552000A	28	13	RO037180100	10	3	SS6121860SP	12	11
B1511543BBA	24	22	RO044240100	6	13	SS6661110SP	6	17
B1521555000	10	2	RO078190100	14	63	SS6700710SH	18	5
B15240120BA	10	20	RO092270200	12	16	SS7080510TP	8	9
B1613012A00	12	33	RO108240100	18	6	SS7081310SP	20	24
B1613012I00	14	59	RO195240100	16	2	SS7091110SP	10	8
B1613012I00	26	2	SD0380552SL	2	16	SS7110350SP	20	19
B1613555H00	24	14	SD0490261SP	20	23	SS7110510SP	12	37
B1636581C00	14	52	SD0720331SP	10	13	SS7110540SP	4	55
B18301270A0	8	24	SD1000801SH	12	47	SS7110740TP	14	53
B18370120A0	8	42	SE4301041SR	16	21	SS7111120SP	14	69
B1903552000	6	9	SK3412000SC	20	30	SS7120640SP	30	54
B1905541B00	6	6	SL4030851SF	16	18	SS7120770SH	12	6
B3111126000	26	10	SM4051405SE	22	12	SS7121410TP	12	56
B3114232000	24	7	SM6061610SC	22	6	SS7121410TP	14	56
B3118552E00	2	34	SM8061010TP	14	67	SS7121410TP	28	57
B9117552A00	26	3	SM8061050TP	14	66	SS7121410TP	30	57
CM300200001	4	48-49	SM8063012TR	18	13	SS7121610SP	12	46
CM300200001	28	5	SM9061203SE	18	22	SS7681650TP	6	14
CM3002000B1	4	48-49	SM9061853SR	18	14	SS8090670SP	2	32
CM300200101	4	50-51	SM9062053SR	18	11	SS8110410TP	8	37
CM3002001A1	4	50-51	SS2110920TP	2	36	SS8110510SP	20	25
CQ252000000	16	10	SS4080620TP	12	34	SS8150710SP	2	33
D1524126WBA	28	6	SS4110515SP	20	15	SS8150710SP	12	29
D3128555D00	26	9	SS4110915SP	8	33	SS8151150SP	6	1
D3129555D00	26	11	SS4120615SP	2	20	SS8151550SP	6	30
MC200500650	26	12	SS4120615SP	16	6	SS8151550SP	30	48
MC200500900	8	44	SS4120915SP	2	40	SS8660610TP	6	24
MC200501300	24	18	SS4120915SP	8	34	SS8660610TP	14	62
MDA100B0900	26	7	SS4121415SP	20	9	SS8660810TP	8	22
MDB100B1400	8	11	SS4150915SP	16	13	SS8660810TP	10	31
MDB100B2100	24	19	SS4701415SD	30	52	SS8681650TP	6	11
MDB100B2100	28	11	SS6060210SP	2	44	TA0850604R0	2	5
NM6050001SE	22	17	SS6080320SP	24	17	TA1250406R0	2	39
NM6060001SE	18	12	SS6080320SP	28	12	TA1250705R0	2	6
NM6160511SE	22	18	SS6080410SP	2	3	TA2000502R0	2	10
NS6090310SP	28	18	SS6090620SP	12	41	TA2101002R0	2	11
NS6680410SP	12	42	SS6090650SP	6	19	WP0371016SD	28	17
RC0150001KP	12	54	SS6090670TP	8	5	WP0450826SC	20	31
RC0150001KP	14	54	SS6090670TP	12	3	WP0480856SP	14	57

NUMERICAL INDEX OF PARTS

PART NO	PAGE	REF NO.
WP0501016SD	20	10
WP1702600S0	22	19
WS0510002KN	22	16