

MODEL : PLC-1610/PLC-1610-7

List No : 1195-05

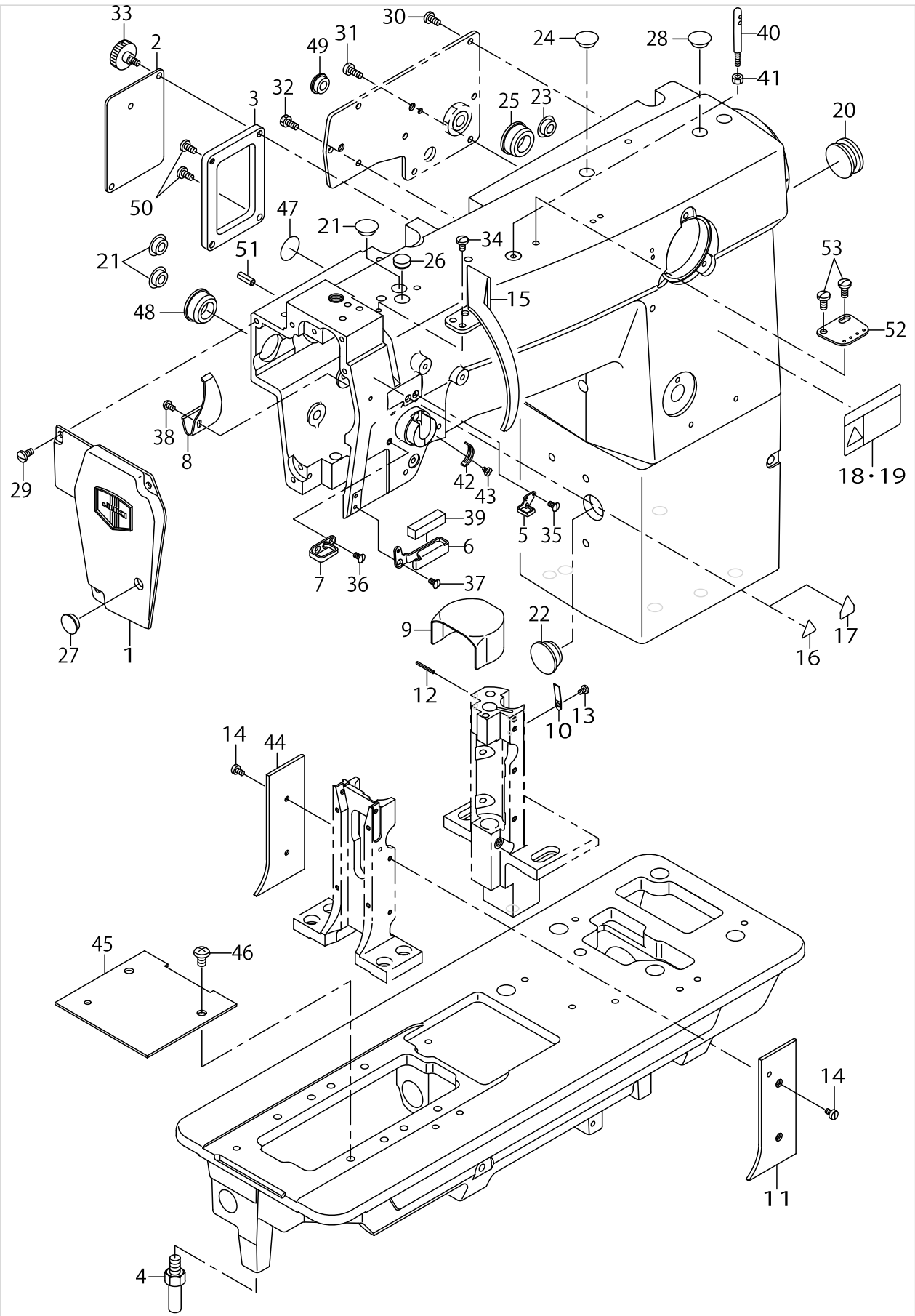
PARTS LIST

Published:09/10/2017

CONTENTS

FRAME & MISCELLANEOUS COVER COMPONENTS	1
MAIN SHAFT,HOOK DRIVING SHAFT DELIVERY & THREAD TAKE-UP LEVER COMPONENTS.....	5
NEEDLE BAR ROCKING COMPONENTS	9
PRESSURE ADJUSTING & UPPER FEED MECHANISM COMPONENTS.....	11
FEED MECHANISM COMPONENTS.....	13
HOOK SHAFT & HOOK DRIVING SHAFT COMPONENTS.....	17
HOOK COMPONENTS.....	19
THREAD TRIMMER MECHANISM COMPONENTS(FOR PLC-1610-7,PLC-1610J-7).....	21
AUTOMATIC REVERSE FEED MECHANISM COMPONENTS(FOR PLC-1610-7).....	25
THREAD TENSION COMPONENTS (FOR PLC-1610-7,PLC-1610J-7).....	27
THREAD TENSION COMPONENTS (FOR PLC-1610).....	29
LOWER THREAD WINDER MECHANISM COMPONENTS	31
AUXILIARY BED COMPONENTS.....	33
PRESSER LIFTING SOLENOID COMPONENTS(FOR AK-131A,EXCEPT PLC-1610J-7).....	35
PRESSER LIFTING SOLENOID COMPONENTS(FOR AK-131B).....	39
LUBRICATION COMPONENTS	43
GAUGE COMPONENTS(STANDARD PARTS).....	45
TABLE AND STAND & BELT COVER COMPONENTS.....	47
EXCLUSIVE PARTS FOR PLC-1610-7 , PLC-1610J-7	49
ACCESSORIES PARTS COMPONENTS	51
LIST FOR INFORMATION OF CHANGE.....	53
HOW TO MAKE USE OF THIS PARTS LIST	54

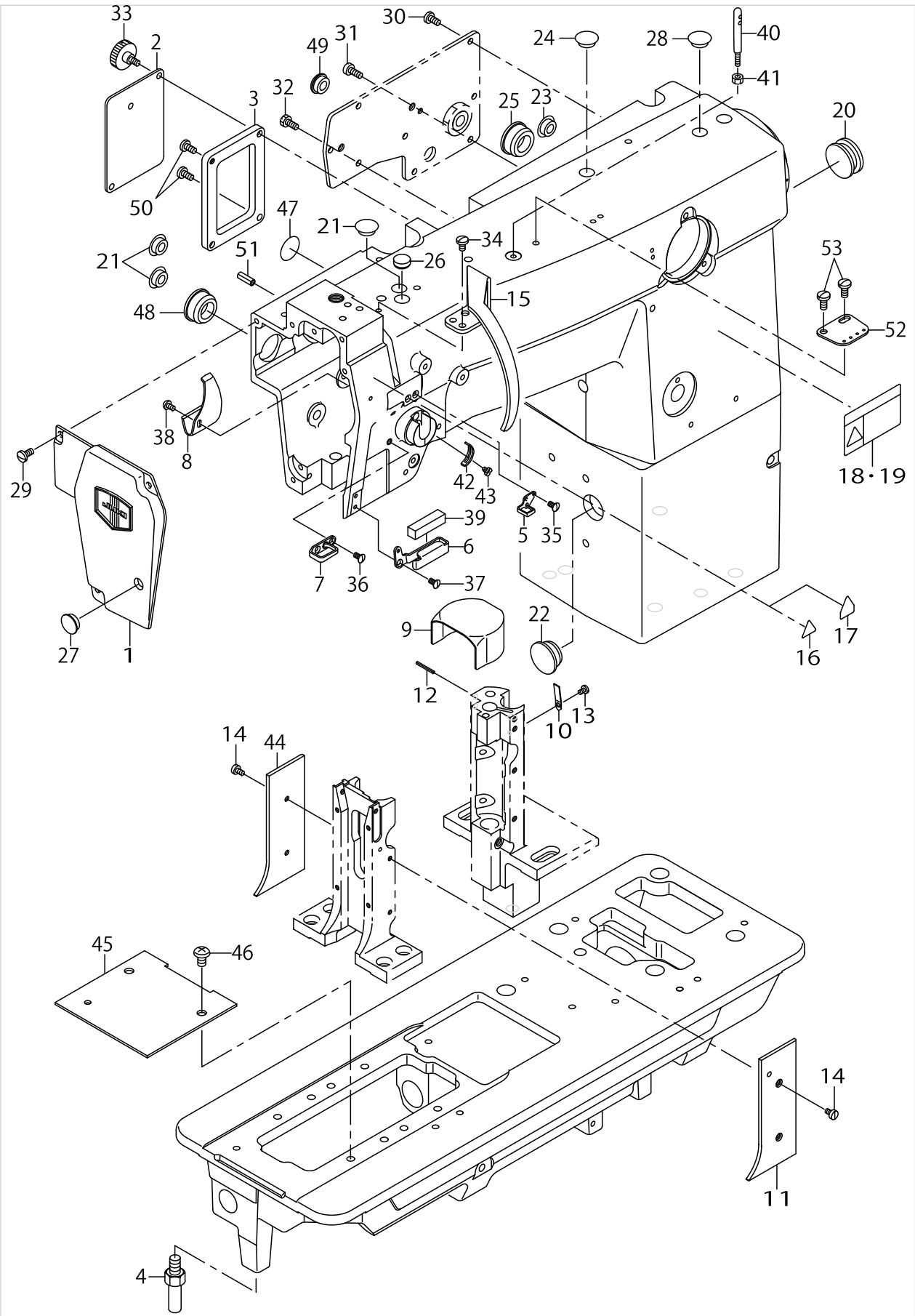
FRAME & MISCELLANEOUS COVER COMPONENTS



FRAME & MISCELLANEOUS COVER COMPONENTS

No.	Parts No.	Parts name	Remarks	Level	Cons	Qty
1	10301950	FACE PLATE ASM.				1
2	40032259	SIDE COVER				1
3	23007404	SIDE PLATE SPACER				1
4	22602601	BED SCREW STUD				4
5	B1129521000	THREAD GUIDE, UPPER				1
6	10774008	FELT THREAD GUIDE				1
7	B1129051000	FRAME THREAD GUIDE, UPPER				1
8	B1140526000	TAKE-UP OIL SPLASHER				1
9	23000656	HOOK COVER ASM.				1
10	23000805	HOOK COVER SPRING				1
11	23008907	SIDE COVER A				1
12	PS0200182KR	SPRING PIN 2X18				1
13	SS7080520SP	SCREW 1/8-44 L=4.9				1
14	SS6090620SP	SCREW 9/64-40 L=6				4
15	10439008	THREAD TAKE-UP LEVER COVER(JE)				1
16	CM3002000B1	LABEL(16)	FOR USE IN JAPAN			1
17	CM300200001	ATTENTION SEAL	FOR PLC-1610J-7(GENERAL EXP- ORT), EXPORT EXCLUDING PLC-1610J-7			1
18	CM300200101	SAFETY LABEL, 1(SMALL).	FOR USE IN JAPAN			1
19	CM3002001A1	SAFETY LABEL.,3 (SMALL).	FOR PLC-1610J-7(GENERAL EXP- ORT), EXPORT EXCLUDING PLC-1610J-7			1
20	10201200	RUBBER PLUG				1
21	TA1250504R0	RUBBER PLUG				3
22	TA2100904R0	RUBBER PLUG				1
23	TA1250504R0	RUBBER PLUG				1
24	TA1250504R0	RUBBER PLUG				1
25	TA2351004R0	RUBBER PLUG				1
26	TA1270502R0	RUBBER PLUG				1
27	TA1250406R0	RUBBER PLUG D=12.5 L=4				1
28	TA1250504R0	RUBBER PLUG				1
29	SS7110910SP	SCREW 11/64-40 L=8.5				3
30	SS7110910SP	SCREW 11/64-40 L=8.5				5
31	SS6111140SP	SCREW 11/64-40 L=11	FOR PLC-1610-7,PLC-1610J-7			1
32	SS9111010SP	SCREW 11/64-40 L=9.5				1
33	MAT80110L00	CLAMP SCREW				1
34	SS7110710SP	SCREW 11/64-40 L=7				1
35	SS2090520SL	SCREW 9/64-40 L=5				2
36	SS2090520SL	SCREW 9/64-40 L=5				2
37	SS2090520SL	SCREW 9/64-40 L=5				1
38	SS3090610SP	SCREW 9/64-40 L=6				1
39	22603708	FELT				1
40	B1114517000	NEEDLE THREAD GUIDE PIN				1
41	NS6620310SP	NUT 3/16-32				1
42	B3138512000	TAKE-UP SPRING ADJUSTING PLATE				1
43	SS7090520SP	SCREW 9/64-40 L= 4.5				1
44	23009004	SIDE COVER B				1
45	23009103	BED COVER				1
46	SM4061001SB	SCREW M6 L=10				2

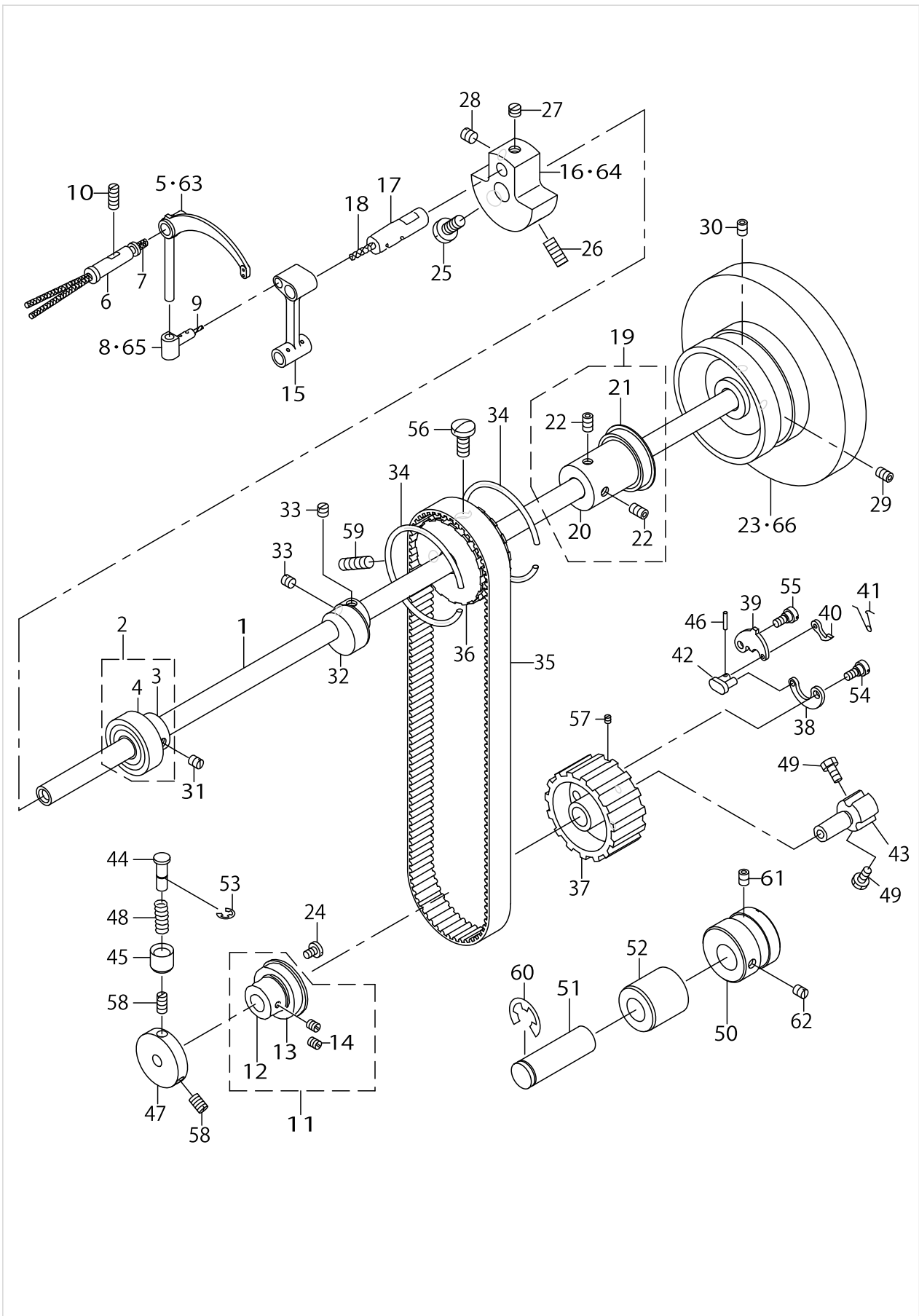
FRAME & MISCELLANEOUS COVER COMPONENTS



FRAME & MISCELLANEOUS COVER COMPONENTS

No.	Parts No.	Parts name	Remarks	Level	Cons	Qty
47	10004109	GROUND MARK				1
48	TA2351004R0	RUBBER PLUG				1
49	TA1250406R0	RUBBER PLUG D=12.5 L=4				1
50	SS7110910SP	SCREW 11/64-40 L=8.5				2
51	PS0500142KP	SPRING PIN				1
52	21355904	ARM THREAD GUIDE	FOR PLC-1610J-7			1
53	SS7621040SP	SCREW 3/16-32 L= 9.5	FOR PLC-1610J-7			2

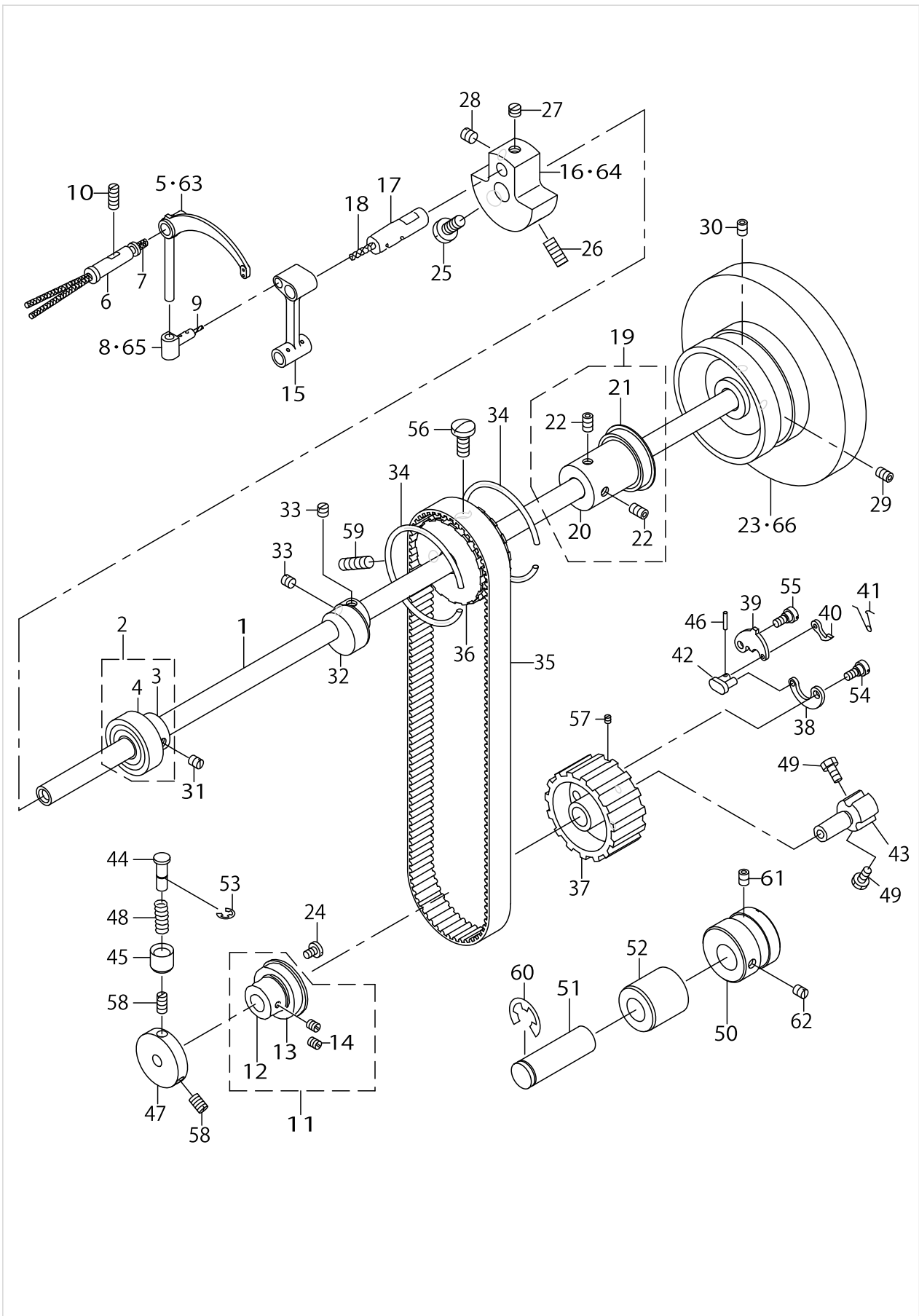
MAIN SHAFT, HOOK DRIVING SHAFT DELIVERY & THREAD TAKE-UP LEVER COMPONENTS



MAIN SHAFT,HOOK DRIVING SHAFT DELIVERY & THREAD TAKE-UP LEVER COMPONENTS

No.	Parts No.	Parts name	Remarks	Level	Cons	Qty
1	10305001	MAIN SHAFT				1
2	10305159	MAIN SHAFT BUSHING, FRONT				1
3	10305100	MAIN SHAFT BUSHING, FRONT		*		1
4	B1202512000	MAIN SHAFT BUSHING, FRONT		*		1
5	23001001	THREAD TAKE-UP LEVER				1
6	B1906051000	TAKE-UP LEVER PIN				1
7	CQ200000000	OIL WICK				0.2
8	B1907526000	TAKE-UP LEVER THRUST PIN				1
9	CQ252000000	OIL WICK				0.03
10	SS8151550SP	SCREW 15/64-28 L=15				1
11	22611651	THRUST COLLAR ASM., B				1
12	22611602	THRUST COLLAR, B		*		1
13	SB120000200	BEARING 20X42		*		1
14	SS8661030SP	SCREW 1/4-40 L=10		*		2
15	B1408051000	NEEDLE BAR CRANK ROD				1
16	B1206051000	COUNTERWEIGHT				1
17	B1210051000	NEEDLE BAR CRANK PIN				1
18	CQ303000000	OIL WICK				0.06
19	23008055	MAIN SHAFT THRUST COLLAR ASM.				1
20	23008006	MAIN SHAFT THRUST COLLAR		*		1
21	B1203512000	BUSHING, REAR		*		1
22	SM8061002TP	SCREW M6 L=10		*		2
23	23001100	HAND WHEEL				1
24	SS7120760SP	SCREW 3/16-28 L= 7.0				2
25	SS7681750TP	SCREW 9/32-28 L=16.5				1
26	SS8681650TP	SCREW 9/32-28 L=16				1
27	SS8680540SP	SCREW 9/32-28 L= 4.5				1
28	SS8680730SP	SCREW 9/32-28 L=7				1
29	SS8150912TH	SCREW 15/64-28 L=9				1
30	SS8150822TP	SCREW 15/64-28 L=8				1
31	SS8150760TP	SCREW 15/64-28 L=7.0				1
32	B1450057000	ADJUSTING FEED ECCENTRIC				1
33	SS8660610TP	SCREW 1/4-40 L=6				2
34	B1214019000	SPROCKET RING				2
35	23001308	TIMING BELT				1
36	23001407	UPPER SPROCKET				1
37	23001506	SPROCKET WHEEL				1
38	B1305055000A	SAFETY CLUTCH SPRING				1
39	B1307055000	SAFETY CLUTCH HOOK				1
40	B1308055000	SAFETY CLUTCH COUNTER-HOOK				1
41	B1309055000	COUNTER-HOOK SPRING				1
42	B1310055000	SAFETY CLUTCH SMALL LINK				1
43	10503605	SAFETY BASE				1
44	23001605	SAFETY CLUTCH				1
45	B1313055000	SAFETY CLUTCH KNOB SLEEVE				1
46	B1314055000	SAFETY CLUTCH SMALL LINK PIN				1
47	23001704	SAFETY CLUTCH DISK				1

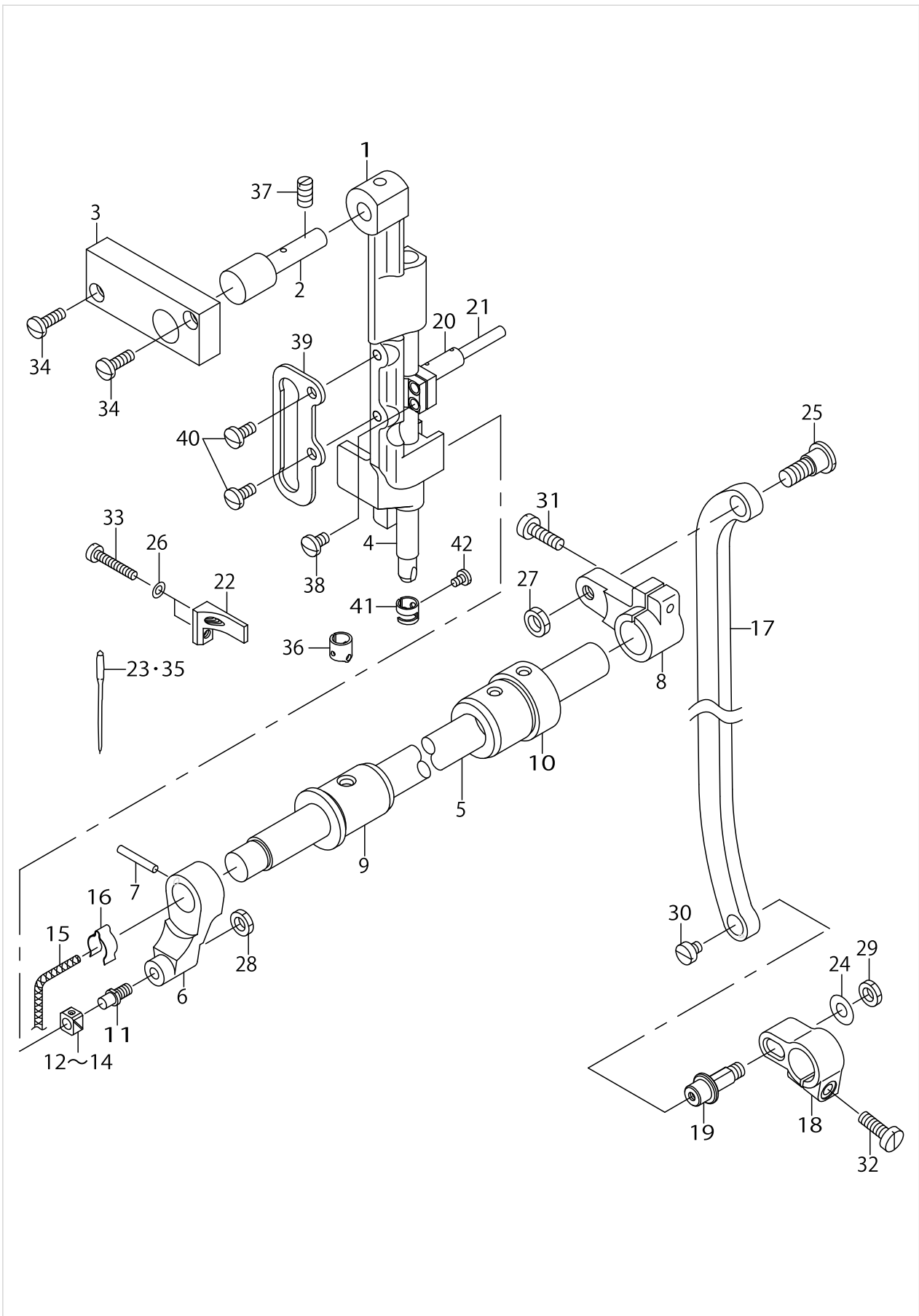
MAIN SHAFT, HOOK DRIVING SHAFT DELIVERY & THREAD TAKE-UP LEVER COMPONENTS



MAIN SHAFT,HOOK DRIVING SHAFT DELIVERY & THREAD TAKE-UP LEVER COMPONENTS

No.	Parts No.	Parts name	Remarks	Level	Cons	Qty
48	B1639051000	SPRING				1
49	SS6661110SP	SCREW 1/4-40 L=11				2
50	23001803	IDLER BUSH				1
51	23001902	IDLER SHAFT				1
52	22603906	UPPER SHAFT INNER METAL				1
53	RE0500000K0	E-RING				1
54	SD0640322TP	HINGE SCREW D= 6.35 H= 3.2				1
55	SD0640322TP	HINGE SCREW D= 6.35 H= 3.2				1
56	SS7681750TP	SCREW 9/32-28 L=16.5				1
57	SS8090410SP	SCREW 9/64-40 L= 3.5				1
58	SS8151230SP	SCREW 15/64-28 L=12				2
59	SS8681950SP	SCREW 9/32-28 L=19				1
60	RE1200000K0	E-RING 12				1
61	SM8060802TP	SCREW M6 L=8				1
62	SS8150510TP	SCREW 15/64-28 L= 4.7				1
63	B1905245000	THREAD TAKE-UP LEVER	FOR PLC-1610J-7			1
64	B1206245000	COUNTERWEIGHT	FOR PLC-1610J-7			1
65	D1907241E00	TAKE-UP LEVER THRUST PIN	FOR PLC-1610J-7			1
66	23024607	HAND WHEEL	FOR PLC-1610J-7			1

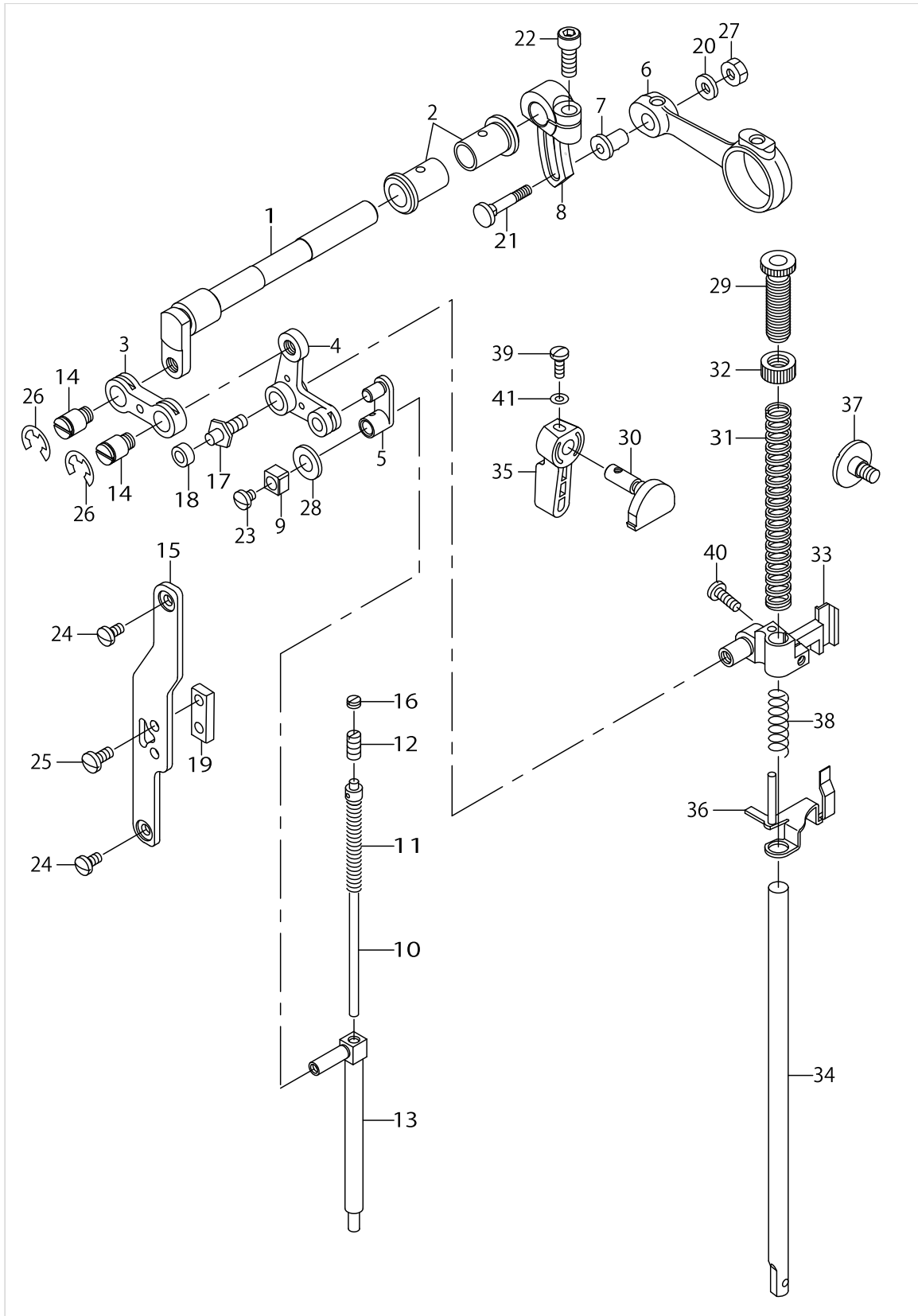
NEEDLE BAR ROCKING COMPONENTS



NEEDLE BAR ROCKING COMPONENTS

No.	Parts No.	Parts name	Remarks	Level	Cons	Qty
1	40016538	NEEDLE BAR FRAME				1
2	10308203	NEEDLE BAR FRAME SHAFT ASM.				1
3	10301307	NEEDLE BAR FRAME SHAFT BASE				1
4	B1401246000	NEEDLE BAR				1
5	10204709	NEEDLE BAR FRAME ROCK SHAFT				1
6	23002207	ROCK SHAFT FRONT CRANK				1
7	PT0302000S0	TAPERED PIN 3.0X20				1
8	23008303	OCK SHAFT REAR CRANK				1
9	23002306	ROCK SHAFT FRONT BUSHING				1
10	23002405	ROCK SHAFT REAR BUSHING				1
11	B1410771000	STUD				1
12	B1414232000	SQUARE BLOCK	SELECTIVE PARTS			1
13	B141423200A	CRANK SLIDE BLOCK	SELECTIVE PARTS			1
14	B141423200B	GUIDE ROLLER	SELECTIVE PARTS			1
15	CQ202000000	OIL WICK				0.12
16	B1437051000	OIL WICK RETAINER				1
17	23002504	NEEDLE BAR FRAME ROD				1
18	23002603	ROCK SHAFT CRANK				1
19	23002702	CONNECTING STUD				1
20	B1411057000	NEEDLE BAR CONNECTION				1
21	B1412051000	FELT				1
22	23004104	FEED LEVER SUPPORT				1
23	MC321001400	NEEDLE 134-35 #140				1
24	WP0650876SD	WASHER 6.5X13X0.8				1
25	SD0900701TP	HINGE SCREW D= 9 H= 7				1
26	WP0371026SD	WASHER 3.7X7X1				2
27	NS6680320SP	NUT 9/32-28				1
28	NS6150310SP	NUT 15/64-28				1
29	NS6150310SP	NUT 15/64-28				1
30	SS6110520TP	SCREW 11/64-40 L=4.5				1
31	SS6121610TP	SCREW 3/16-28 L=15.5				1
32	SS6121610TP	SCREW 3/16-28 L=15.5				1
33	SS6092120SP	SCREW 9/64-40 L=21.2				2
34	SS7111310TP	SCREW 11/64-40 L=12.8				2
35	MC321001200	NEEDLE 134-35 #120				1
36	10708204	NEEDLE BAR THREAD GUIDE				1
37	SS8150920SP	SET-SCREW				1
38	SS7110720SP	SCREW 11/64-40 L=7				2
39	23007008	WALKING BAR GUIDE				1
40	SS7110910SP	SCREW 11/64-40 L=8.5				2
41	B1418141H00	NEEDLE BAR THREAD GUIDE				1
42	SS7080510TP	SCREW 1/8-44 L=4.5				1

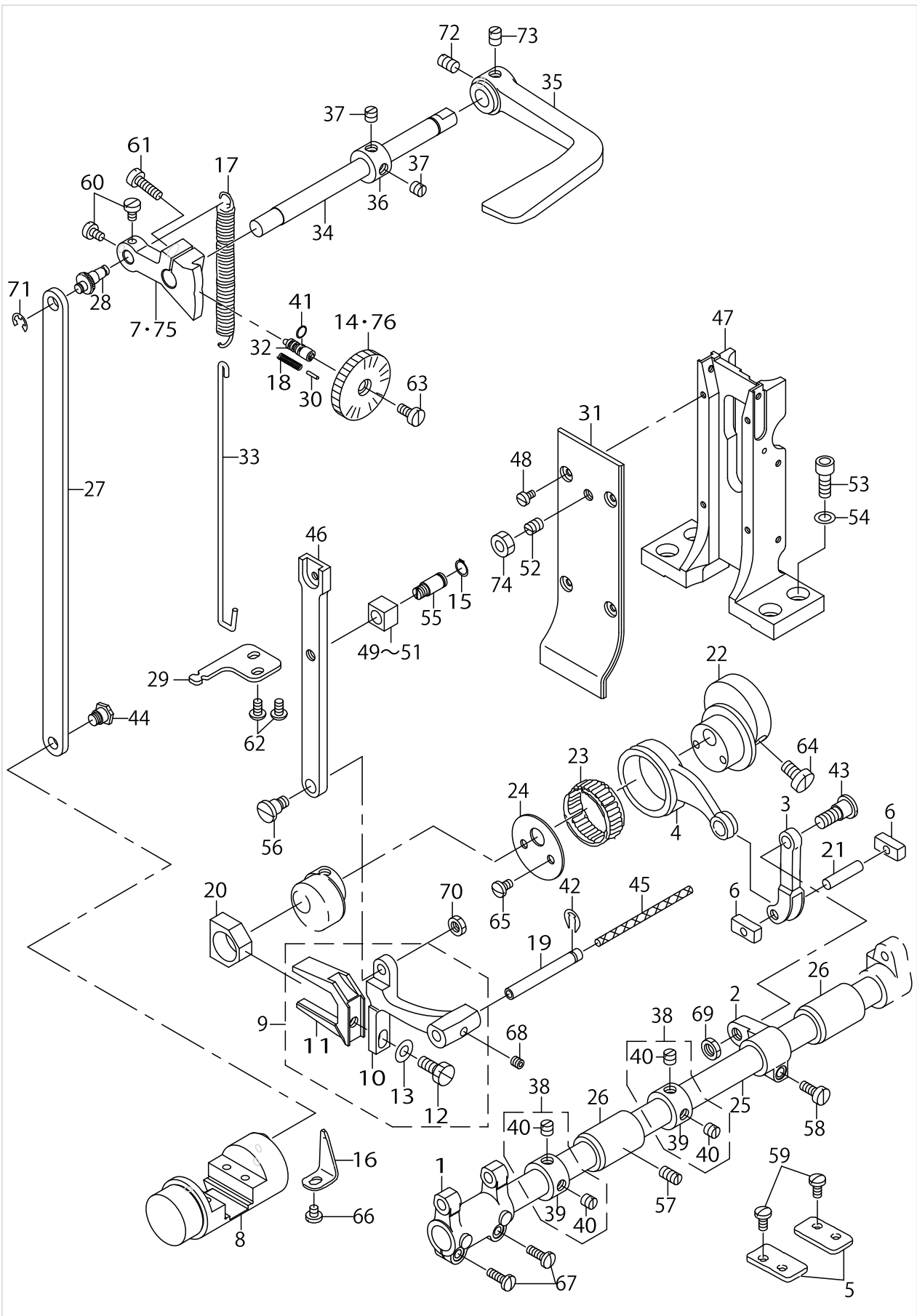
PRESSURE ADJUSTING & UPPER FEED MECHANISM COMPONENTS



PRESSURE ADJUSTING & UPPER FEED MECHANISM COMPONENTS

No.	Parts No.	Parts name	Remarks	Level	Cons	Qty
1	23006505	UPPER FEED DRIVING SHAFT				1
2	B1455053000	BUSHING				2
3	23006604	CONNECTING LINK				1
4	23006703	L SHAPED LINK				1
5	23006802	WALKING BAR DRIVING LINK				1
6	23006901	UPPER FEED DRIVING ROD				1
7	D1455055B00	CONNECTING STUD				1
8	D1454055B00	UPPER FEED SPRING ROD				1
9	B1414555000	SLIDE BLOCK				1
10	B14670530A0	WALKING BAR ASM.				1
11	B1468053000	WALKING BAR SPRING				1
12	SS8151230SP	SCREW 15/64-28 L=12				1
13	23007107	WALKING BAR				1
14	21048707	HINGE SCREW				2
15	23003007	GUIDE PLATE				1
16	SS8150310SP	SCREW 15/64-28 L= 3.4				1
17	B1461245000	GUIDE SHAFT HINGE SCREW				1
18	D1462241E00	CONNECTING PIN ROLLER				1
19	D1463241E00	PRESSER BAR BRACKET GUIDE				1
20	WP0482086SD	WASHER 4.8X11.5X2				1
21	D1456055B00	HINGE SCREW				1
22	23009608	UPPER FEED ARM CLAMP SCREW				1
23	SS7110510SP	SCREW 11/64-40 L=5				1
24	SS7110840SP	SCREW 11/64-40 L=7.8				2
25	SS7621040SP	SCREW 3/16-32 L= 9.5				2
26	RE0800000K0	E-SHAPED SNAP RING (8MM)				2
27	NS6110530SP	NUT 11/64-40				1
28	10509701	FELT				1
29	B1509141H00	PRESSER SPRING REGULATOR				1
30	10310712	HAND LIFTER CAM				1
31	B1502246000	PRESSER SPRING				1
32	11071701	NUT				1
33	23002801	HAND LIFTER BRACKET				1
34	B1501141H00	PRESSER BAR				1
35	11071800	HAND LIFTER				1
36	23002959	THREAD RELEASE GUIDE				1
37	SD0800481SP	HINGE SCREW D= 8 H= 4.9				1
38	B1462053000	THREAD RELEASE SPRING				1
39	SS7091110TP	SCREW 9/64-40 L=10.5				1
40	SS7111310SP	SCREW 11/64-40 L=12.8				1
41	WP0370316SD	WASHER 3.7X8X0.3				1

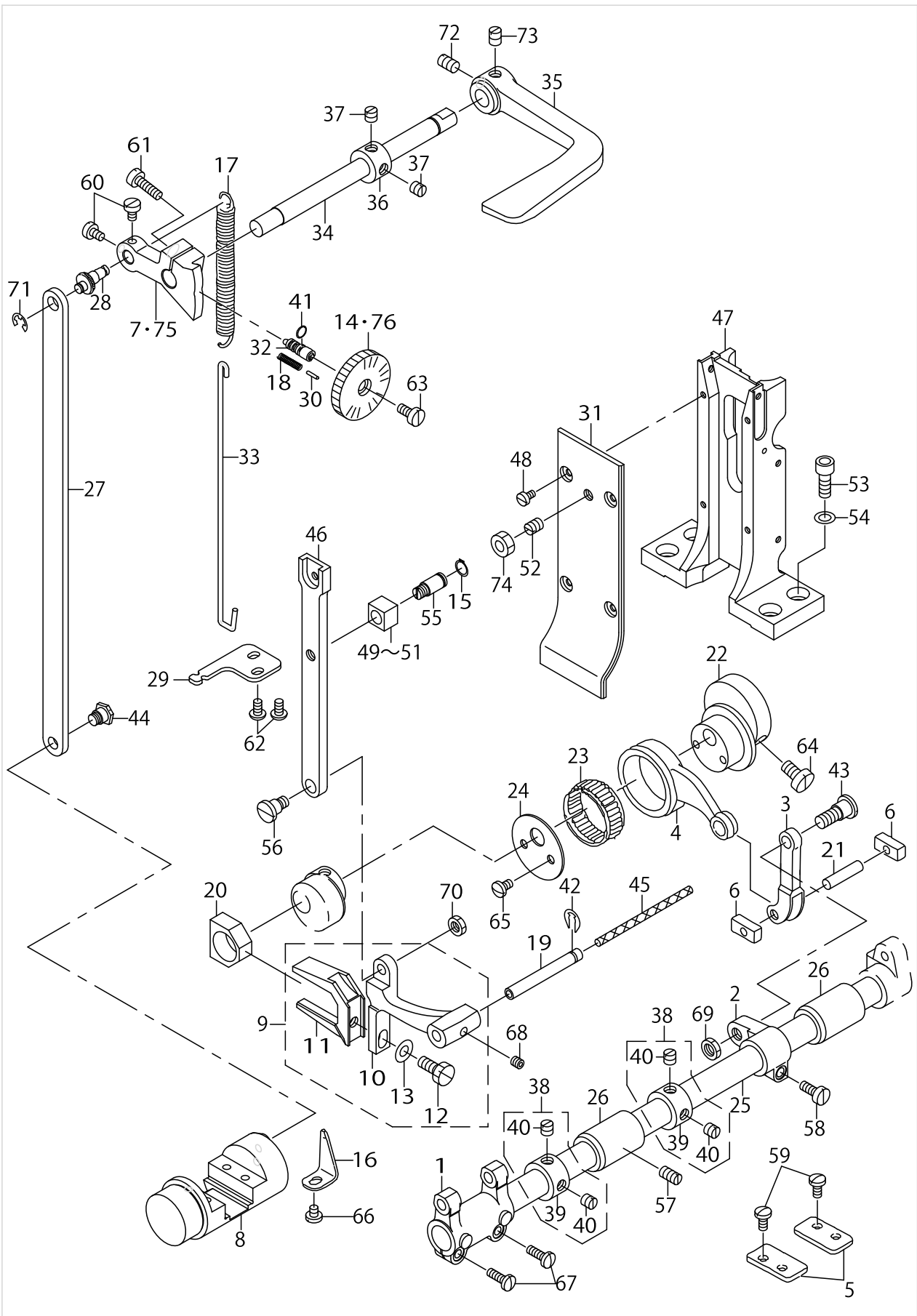
FEED MECHANISM COMPONENTS



FEED MECHANISM COMPONENTS

No.	Parts No.	Parts name	Remarks	Level	Cons	Qty
1	10315000	FEED ROCKER				1
2	10315109	FEED ROCKER SHAFT CRANK				1
3	10315208	FEED ROCK CONNECTING ROD				1
4	22609200	FEED ROCK SHAFT CONNECTING ROD				1
5	10315505	PLATE				2
6	22609606	FEED DRIVING ROCKER BLOCK, S				2
7	23003106	FEED REGULATOR				1
8	23003254	FEED DRIVING ROCKER ASM.				1
9	23003353	FEED BAR ASM.				1
10	23003304	FEED BAR		*		1
11	10107902	FEED BAR FORK		*		1
12	SS9151440CP	SCREW 15/64-28 L=14		*		1
13	WP0621016SD	WASHER 6.2X13X1		*		1
14	23003403	STITCH DIAL				1
15	RC0740811KP	C-RING				1
16	B1633470000	STOPPER PLATE				1
17	B1513280000	TENSION SPRING				1
18	22912109	FEED REGULATOR PIN SPRING				1
19	B1604012000A	FEED BAR SHAFT				1
20	B1610512000	FEED DRIVING SLIDE BLOCK				1
21	B1653470000	PIN				1
22	23003601	FEED DRIVE ECCENTRIC CAM				1
23	B1636581B00	NEEDLE BEARING B				1
24	23003700	THRUST COLLAR				1
25	23007305	FEED ROCK SHAFT				1
26	10106102	BUSHING				2
27	23003809	FEED REGULATOR CONNECTING ROD				1
28	22610109	ROD PIN				1
29	22610406	SPRING BRACKET				1
30	10207405	PIN				1
31	23008808	FEED LEVER BASE COVER				1
32	10207116	FEED REGULATOR SCREW				1
33	21026307	SPRING HOLDER				1
34	10107506	REVERSE FEED SHAFT	FOR PLC-1610			1
35	B162438000A	REVERSE FEED CONTROL LEVER	FOR PLC-1610			1
36	CS1021211SH	THRUST COLLAR D=10.2 W=12				1
37	SS8660610TP	SCREW 1/4-40 L=6				2
38	22904155	MAIN SHAFT THRUST COLLAR ASM.				2
39	22904106	MAIN SHAFT THRUST COLLAR		*		2
40	SS8660610TP	SCREW 1/4-40 L=6		*		4
41	RO074240100	RUBBER RING				1
42	RE0500711KP	SNAP RING 5				1
43	SD0900701TP	HINGE SCREW D= 9 H= 7				1
44	SD0800422CP	HINGE SCREW D= 8 H= 4.2				1
45	CQ202000000	OIL WICK				0.1
46	23003908	FEED LEVER				1
47	23008709	FEED LEVER BASE				1

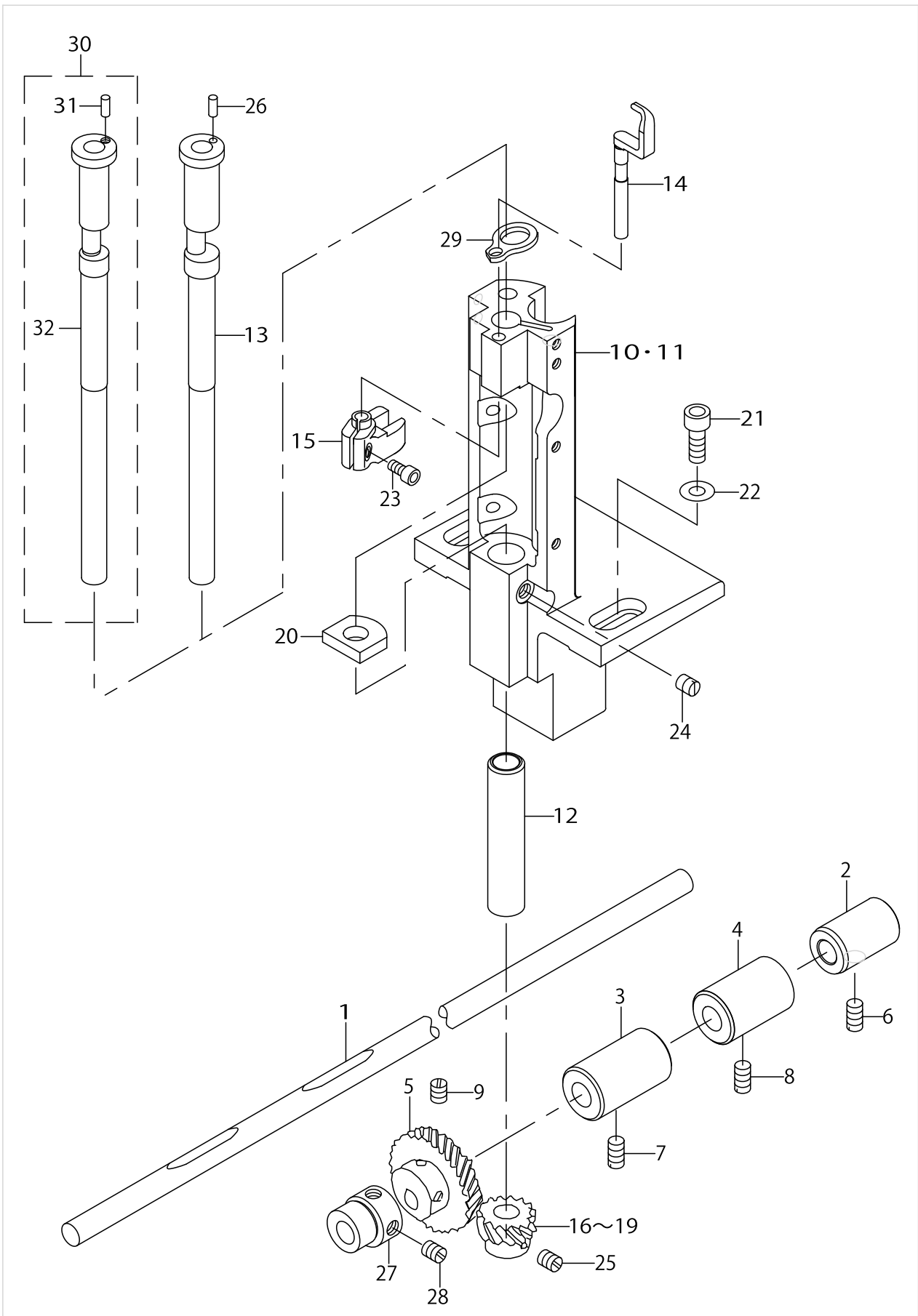
FEED MECHANISM COMPONENTS



FEED MECHANISM COMPONENTS

No.	Parts No.	Parts name	Remarks	Level	Cons	Qty
48	SS6090630SP	SCREW 9/64-40 L=6				4
49	13516703	SLIDE BLOCK B	SELECTIVE PARTS			1
50	13516604	SLIDE BLOCK A	SELECTIVE PARTS			1
51	13519202	SLIDE BLOCK	SELECTIVE PARTS			1
52	SS8660810TP	SCREW 1/4-40 L=8				1
53	SM6061602TP	SCREW M6 L=16				4
54	WP0651056SD	WASHER 6.5X11X1				4
55	23009509	FEED LEVER SHAFT				1
56	SD0790601SP	HINGE SCREW D=7.94 H=6				1
57	SS8151150SP	SCREW 15/64-28 L=10.5				1
58	SS6121610TP	SCREW 3/16-28 L=15.5				1
59	SS7110910SP	SCREW 11/64-40 L=8.5				4
60	SS6110710SP	SCREW 11/64-40 L=7				2
61	SS6121610TP	SCREW 3/16-28 L=15.5				1
62	SS4110815SP	SCREW 11/64-40 L=8				2
63	SS6121050SP	SCREW 3/16-28 L= 9.5				1
64	SS6661110SP	SCREW 1/4-40 L=11				2
65	SS7110710SP	SCREW 11/64-40 L=7				2
66	SS7110510SP	SCREW 11/64-40 L=5				1
67	SS7111310TP	SCREW 11/64-40 L=12.8				2
68	SM8050502TP	SCREW M5 L=5				1
69	NS6680320SP	NUT 9/32-28				1
70	NS6150310SP	NUT 15/64-28				1
71	RE0500000K0	E-RING				1
72	SS8661040TP	SCREW 1/4-40 L=10				1
73	SS8660810TP	SCREW 1/4-40 L=8				1
74	NS6660430SP	NUT 1/4-40				1
75	40025467	FEED REGULATOR	FOR PLC-1610-7,PLC-1610J-7			1
76	B16231450A0	STITCH DIAL	FOR PLC-1610-7,PLC-1610J-7			1

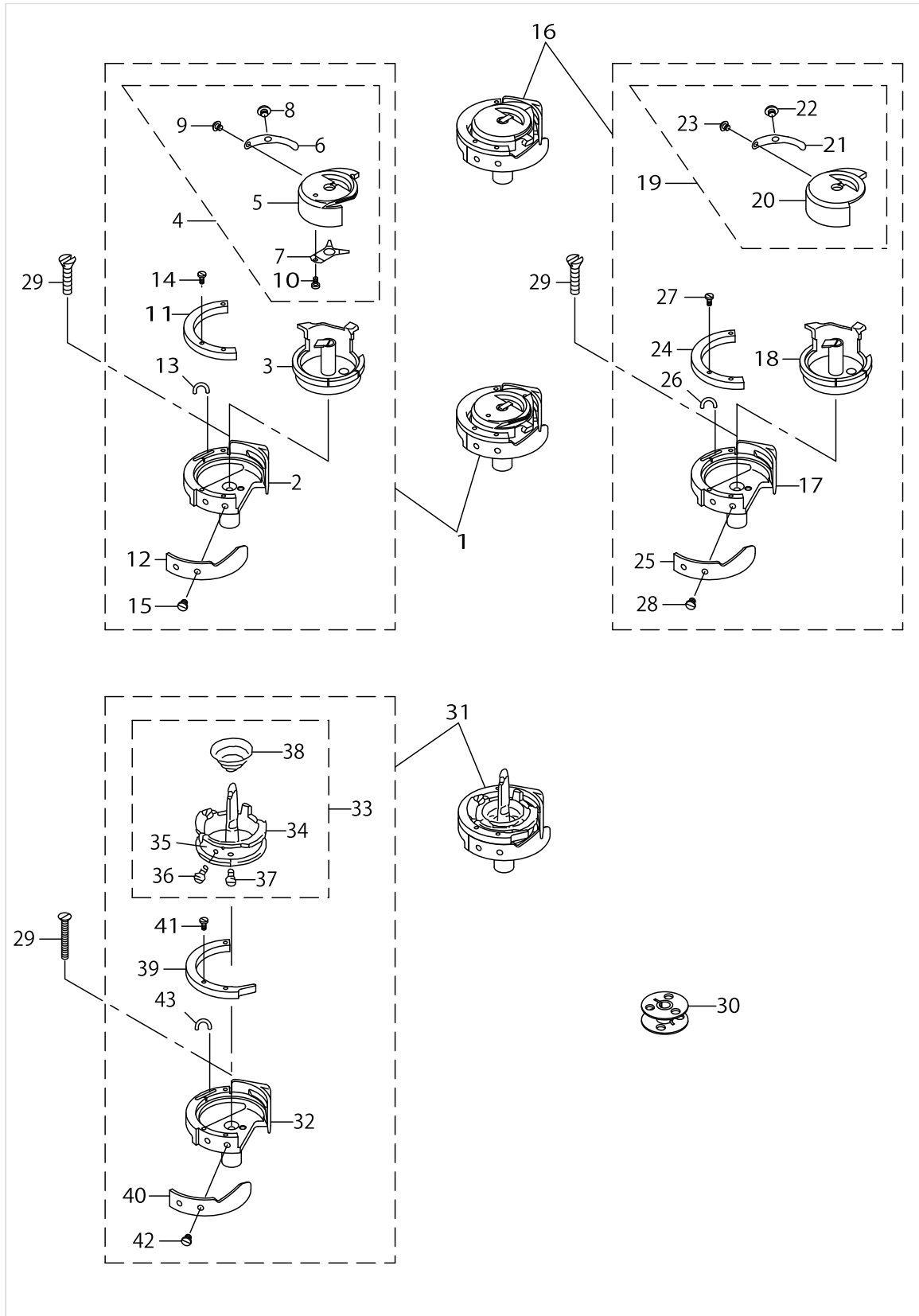
HOOK SHAFT & HOOK DRIVING SHAFT COMPONENTS



HOOK SHAFT & HOOK DRIVING SHAFT COMPONENTS

No.	Parts No.	Parts name	Remarks	Level	Cons	Qty
1	23004203	HOOK DRIVING SHAFT				1
2	21427307	LOWER SHAFT METAL , REAR				1
3	23004302	BUSHING,INTERMEDIATE				1
4	B1807512000	BUSHING B, INTERMEDIATE				1
5	B1816512000	HOOK DRIVING SHAFT, LARGE				1
6	SS8151150SP	SCREW 15/64-28 L=10.5				1
7	SS8151150SP	SCREW 15/64-28 L=10.5				1
8	SS8151150SP	SCREW 15/64-28 L=10.5				1
9	SS8660810TP	SCREW 1/4-40 L=8				2
10	23022106	THREAD CUTTER HOOK SHAFT BASE				1
11	23022205	HOOK SHAFT BASE	FOR PLC-1610			1
12	23004500	HOOK SHAFT BASE,LOWER METAL				1
13	23004609	HOOK SHAFT				1
14	23028707	OPENER				1
15	23004906	OPENER GUIDE ARM				1
16	10112001	HOOK SHAFT GEAR, A	SELECTIVE PARTS			1
17	10112100	HOOK SHAFT GEAR, B	SELECTIVE PARTS			1
18	10112209	HOOK SHAFT GEAR, C	SELECTIVE PARTS			1
19	10111904	HOOK SHAFT GEAR	SELECTIVE PARTS			1
20	23008105	LOWER METAL LUBRICATING FELT				1
21	SM6061602TP	SCREW M6 L=16				2
22	WP0651056SD	WASHER 6.5X11X1				2
23	SM6040802TP	SCREW M4X0.7 L=8				1
24	SS8150710SP	SCREW 15/64-28 L=7				1
25	SS8660530TP	SCREW 1/4-40 L= 4.5				3
26	PH0300062C0	PIN				1
27	23003502	VERTICAL FEED CAM				1
28	SS8150710TP	SCREW 15/64-28 L=7				2
29	23004708	HOOK SHAFT SPACER	FOR PLC-1610			1
30	23024755	HOOK SHAFT ASM.	FOR PLC-1610J-7			1
31	PH0300062C0	PIN		*		1
32	23024706	HOOK SHAFT		*		1

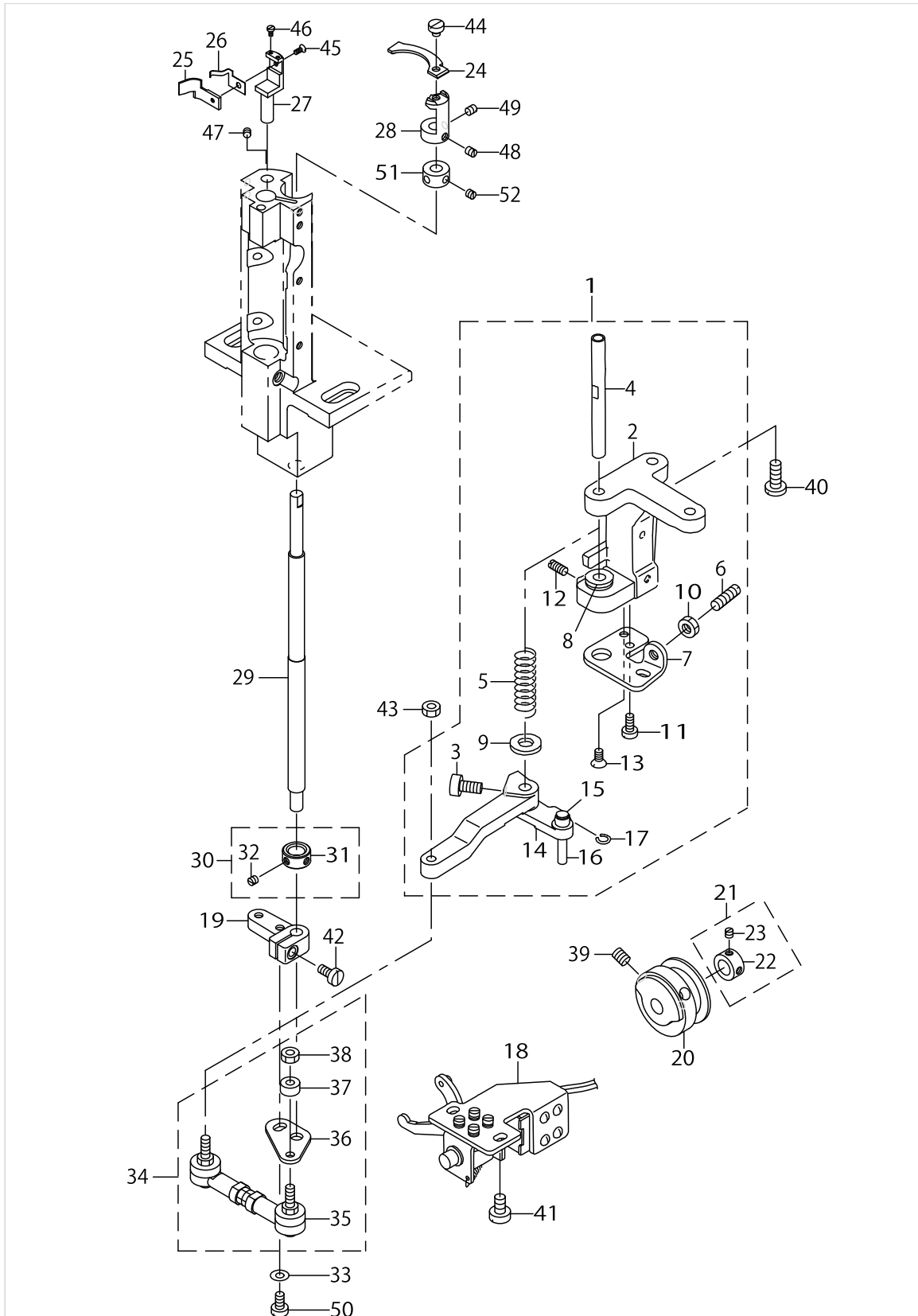
HOOK COMPONENTS



HOOK COMPONENTS

No.	Parts No.	Parts name	Remarks	Level	Cons	Qty
1	23025059	HOOK WITH CAP ASM.	FOR PLC-1610-7			1
2	23025000	HOOK		*		1
3	23025158	INNER HOOK ASM.		*		1
4	23025257	CAP ASM.		*		1
5	23025208	CAP		*		1
6	23025802	TENSION SPRING		*		1
7	23026503	SPRING		*		1
8	23026107	SCREW		*		1
9	23026206	SCREW		*		1
10	23026602	SCREW		*		1
11	23025307	HOLDER		*		1
12	23025901	NEEDLE GUARD		*		1
13	23026404	FELT		*		1
14	10723104	PRESSER SETSCREW		*		3
15	22814008	SCREW		*		2
16	23039159	HOOK WITH CAP ASM.	FOR PLC-1610			1
17	23025000	HOOK		*		1
18	23027063	INNER HOOK ASM.		*		1
19	23027154	CAP ASM.		*		1
20	23027105	CAP		*		1
21	23025802	TENSION SPRING		*		1
22	23026107	SCREW		*		1
23	23026206	SCREW		*		1
24	23025307	HOLDER		*		1
25	23025901	NEEDLE GUARD		*		1
26	23026404	FELT		*		1
27	10723104	PRESSER SETSCREW		*		3
28	22814008	SCREW		*		2
29	SS1092810SP	SCREW 9/64-40 L=25.4				1
30	10759603	ALUMINUM BOBBIN (DOUBLE-CUT)				1
31	23026057	LATCH HOOK FOR JEANS ASM.	FOR PLC-1610J-7			1
32	23025000	HOOK		*		1
33	23027451	LATCH INNER HOOK ASM.		*		1
34	23027501	INNER HOOK		*		1
35	10722908	TENSION SPRING		*		1
36	23026800	ADJUSTING SCREW		*		1
37	23026701	SCREW		*		1
38	23027402	IDLE PREVENTION SPRING		*		1
39	23026008	INNER HOOK PRESSER WITH HORN		*		1
40	23025901	NEEDLE GUARD		*		1
41	10723104	PRESSER SETSCREW		*		1
42	22814008	SCREW		*		1
43	23026404	FELT		*		1

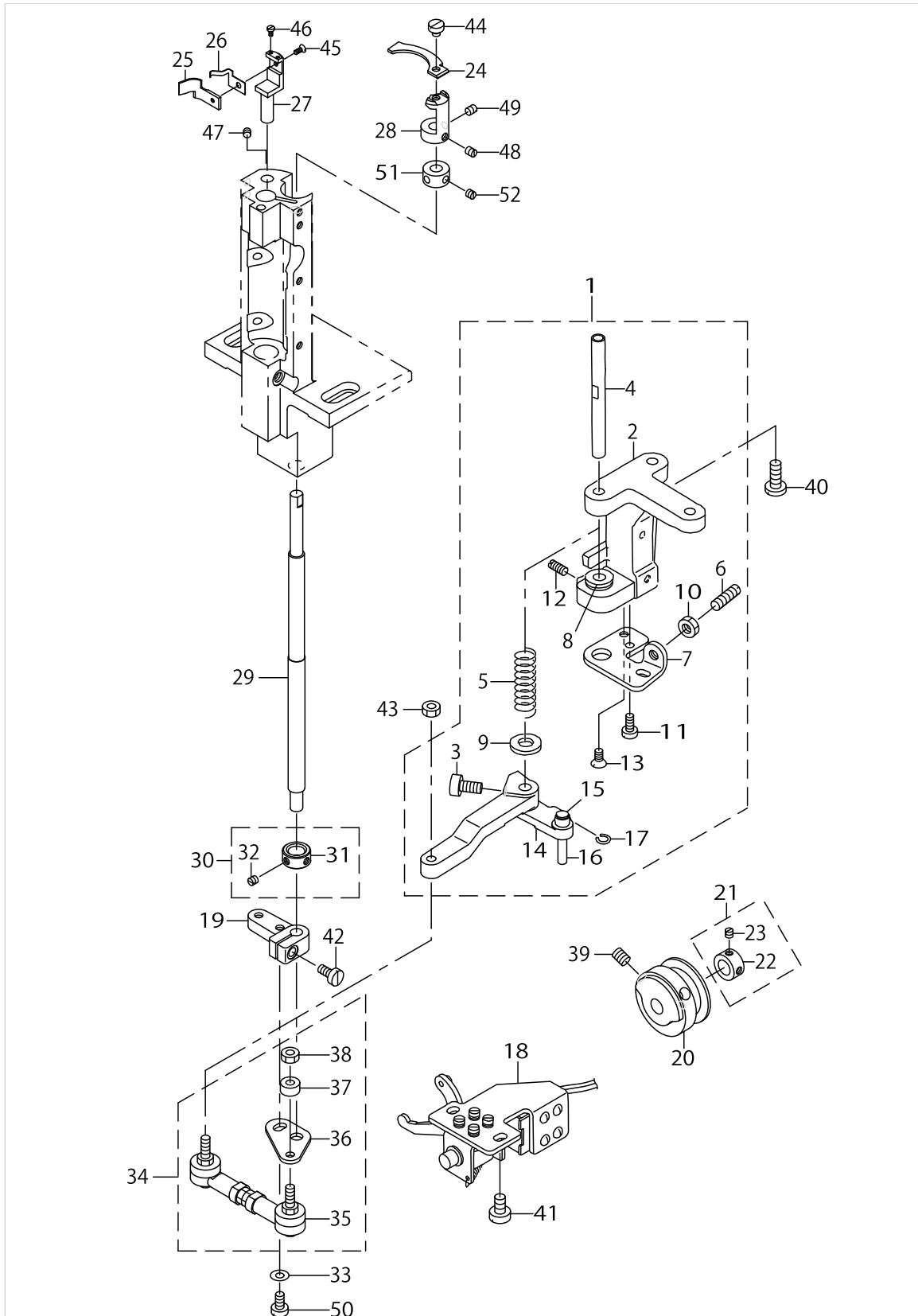
THREAD TRIMMER MECHANISM COMPONENTS(FOR PLC-1610-7,PLC-1610J-7)



THREAD TRIMMER MECHANISM COMPONENTS(FOR PLC-1610-7,PLC-1610J-7)

No.	Parts No.	Parts name	Remarks	Level	Cons	Qty
1	23005051	LINK INSTALLING BASE ASM.				1
2	10116606	LINK INSTALLING BASE		*		1
3	SS6151220SP	SCREW 15/64-28 L=11.5		*		1
4	10116804	SHAFT		*		1
5	10116903	SPRING		*		1
6	SS8152030SP	SCREW 15/64-28 L=20		*		1
7	23022007	STOPPER		*		1
8	10117109	BUSHING		*		1
9	WP0753016SZ	WASHER 7.5X16.0X3.0		*		1
10	NS6150430SP	NUT 15/64-28		*		1
11	SS6111010SP	SCREW 11/64-40 L= 9.5		*		1
12	SS8111010TP	SCREW 11/64-40 L=9.5		*		1
13	SS2110920TP	SCREW 11/64-40 L=8.5		*		1
14	23005002	CAM INSTALLING LINK		*		1
15	D2427555B00B	CAM ROLLER		*		1
16	D2428555B00A	CAM ROLLER SHAFT		*		1
17	D2430555B00	SNAP RING		*		1
18	10117851	SOLENOID ASM.				1
19	23005200	DRIVING ARM,RIGHT				1
20	23014806	THREAD TRIMMER CAM				1
21	CS0950810SH	THRUST COLLAR ASM. D=9.5 W=8				1
22	CS0950816SH	THRUST COLLAR D=9.5 W=8		*		1
23	SS8110410TP	SCREW 11/64-40 L= 3.5		*		2
24	23005804	MOVING KNIFE				1
25	23005903	FIXED KNIFE				1
26	23006000	CLAMP SPRING				1
27	23006109	COUNTER KNIFE INSTALLING BASE				1
28	23006208	MOVING KNIFE INSTALLING BASE				1
29	23006307	MOVING KNIFE DRIVING SHAFT				1
30	CS0950810SH	THRUST COLLAR ASM. D=9.5 W=8				1
31	CS0950816SH	THRUST COLLAR D=9.5 W=8		*		1
32	SS8110410TP	SCREW 11/64-40 L= 3.5		*		2
33	WP0501016SD	WASHER 5X10.5X1				1
34	23005358	JOINT ROD ASM.				1
35	23005309	JOINT ROD		*		1
36	23021900	DRIVING ARM PLATE		*		1
37	B3417051000	REAR LIFTING BAR ROLLER		*		1
38	NM6050001SP	NUT M5		*		1
39	SS8661012TP	SCREW				2
40	SS7151610SP	SCREW 15/64-28 L=16				2
41	SS6151040SP	SCREW 15/64-28 L=10				2
42	SS6121010SP	SCREW 3/16-28 L=10				1
43	NM6050001SP	NUT M5				1
44	SS6110480SP	SCREW 11/64-40 L=4.3				1
45	D2436245E00	SCREW				1
46	SM6020450TP	SCREW				2
47	SM8040402TP	SCREW M4X0.7 L=4				2

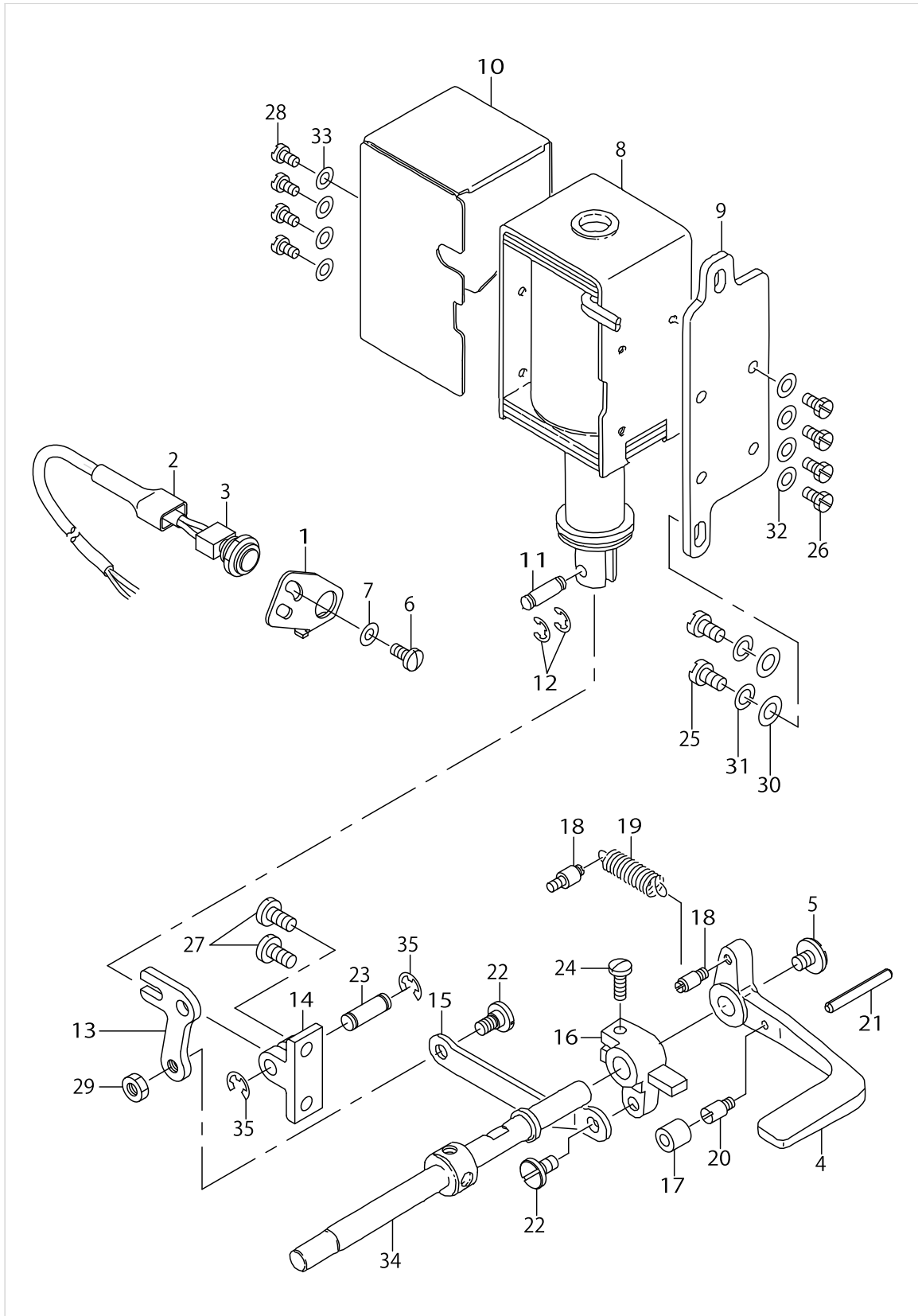
THREAD TRIMMER MECHANISM COMPONENTS(FOR PLC-1610-7,PLC-1610J-7)



THREAD TRIMMER MECHANISM COMPONENTS(FOR PLC-1610-7,PLC-1610J-7)

No.	Parts No.	Parts name	Remarks	Level	Cons	Qty
48	SS8110510SP	SCREW 11/64-40 L=5				1
49	SS8110520TP	SCREW 11/64-40 L= 4.5				1
50	SS6120940SP	SCREW 3/16-28 L=9				1
51	CS0700811SH	THRUST COLLAR D=7 W=8				1
52	SS8110410TP	SCREW 11/64-40 L= 3.5				2

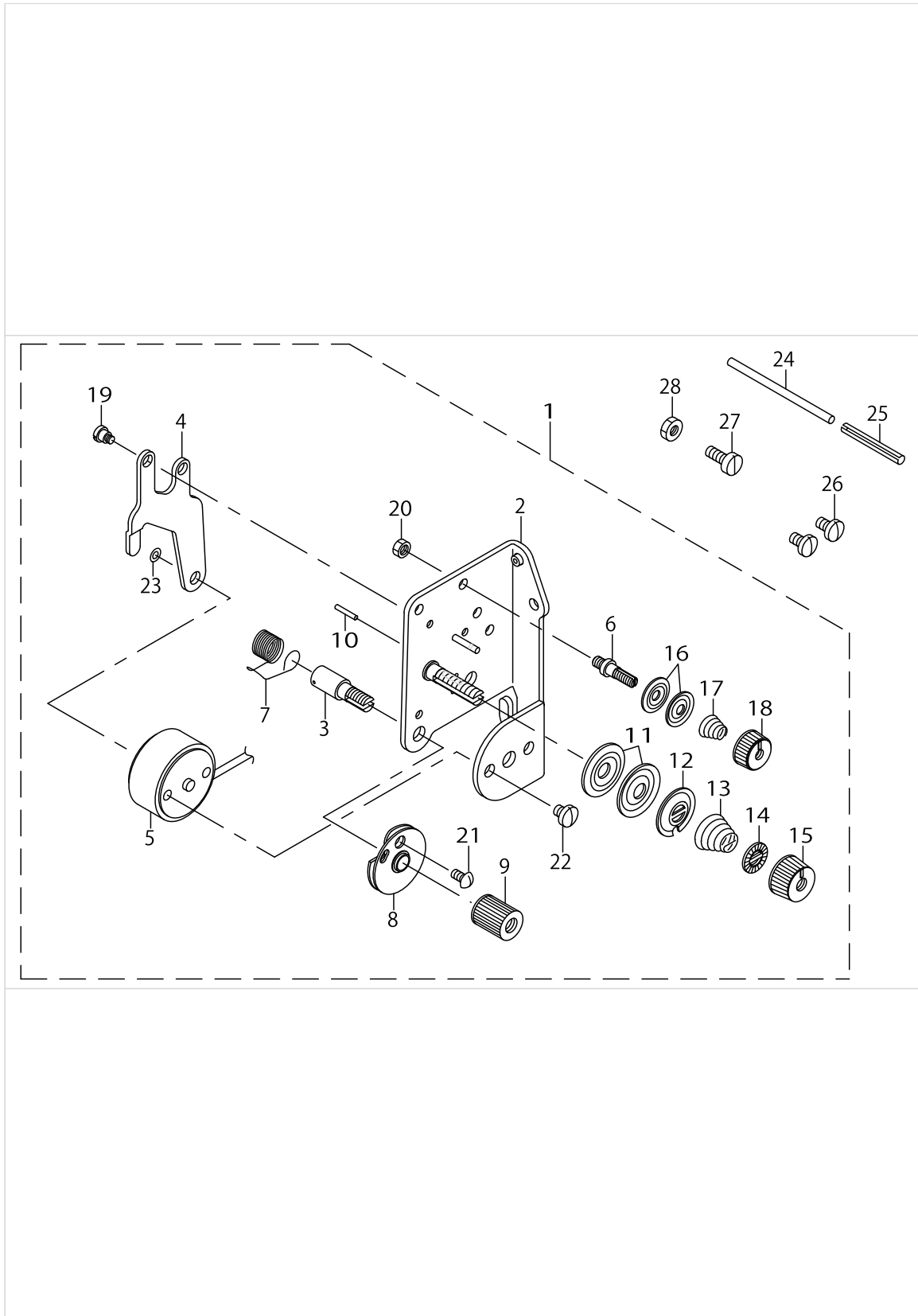
AUTOMATIC REVERSE FEED MECHANISM COMPONENTS(FOR PLC-1610-7)



AUTOMATIC REVERSE FEED MECHANISM COMPONENTS(FOR PLC-1610-7)

No.	Parts No.	Parts name	Remarks	Level	Cons	Qty
1	D1681241E0A	SWITCH INSTALLING BASE				1
2	MAT81126T00	2-POLE PLUG COVER				1
3	D1680141EA0	TOUCH BUCK SWITCH ASM				1
4	10161206	REVERSE FEED CONTROL LEVER				1
5	SS7620750SP	SCREW 3/16-32 L= 6.5				1
6	SS7621040SP	SCREW 3/16-32 L= 9.5				2
7	WP0501016SD	WASHER 5X10.5X1				2
8	23008402	REVERSE FEED SOLENOID (AC24V)				1
9	10119204	SOLENOID INSTALLING PLATE				1
10	10161305	SOLENOID COVER				1
11	D2464555B00	LINK DRIVING MAGNET PIN				1
12	RE0400000K0	E-RING 4				2
13	10119402	LINK				1
14	D1684141E00A	LINK INSTALLING BASE				1
15	10212009	REVERSE FEED ROD				1
16	10119709	REVERSE FEED CONNECTING ARM				1
17	10119907	CUSHION				1
18	10120004	SPRING SUSPENSION				2
19	D2515232D00	TORSION SPRING				1
20	B1114280000	PIN				1
21	PS0400322KP	SPRING PIN 4.0X32				1
22	SD0720331SP	HINGE SCREW D= 7.24 H= 3.3				2
23	D1687141E00	PIN				1
24	SS7121410SP	SCREW 3/16-28 L=14				1
25	SS7151210SP	SCREW 15/64-28 L=12				2
26	SS9111010SP	SCREW 11/64-40 L=9.5				4
27	SS7151210SP	SCREW 15/64-28 L=12				2
28	SS7110710SP	SCREW 11/64-40 L=7				4
29	NS6150430SP	NUT 15/64-28				1
30	WP0621016SD	WASHER 6.2X13X1				2
31	WS0631510KP	SPRING WASHER				2
32	WP0501016SD	WASHER 5X10.5X1				4
33	WP0501016SD	WASHER 5X10.5X1				4
34	10107407	REVERSE FEED SHAFT				1
35	RE0600000K0	E-RING 6				2

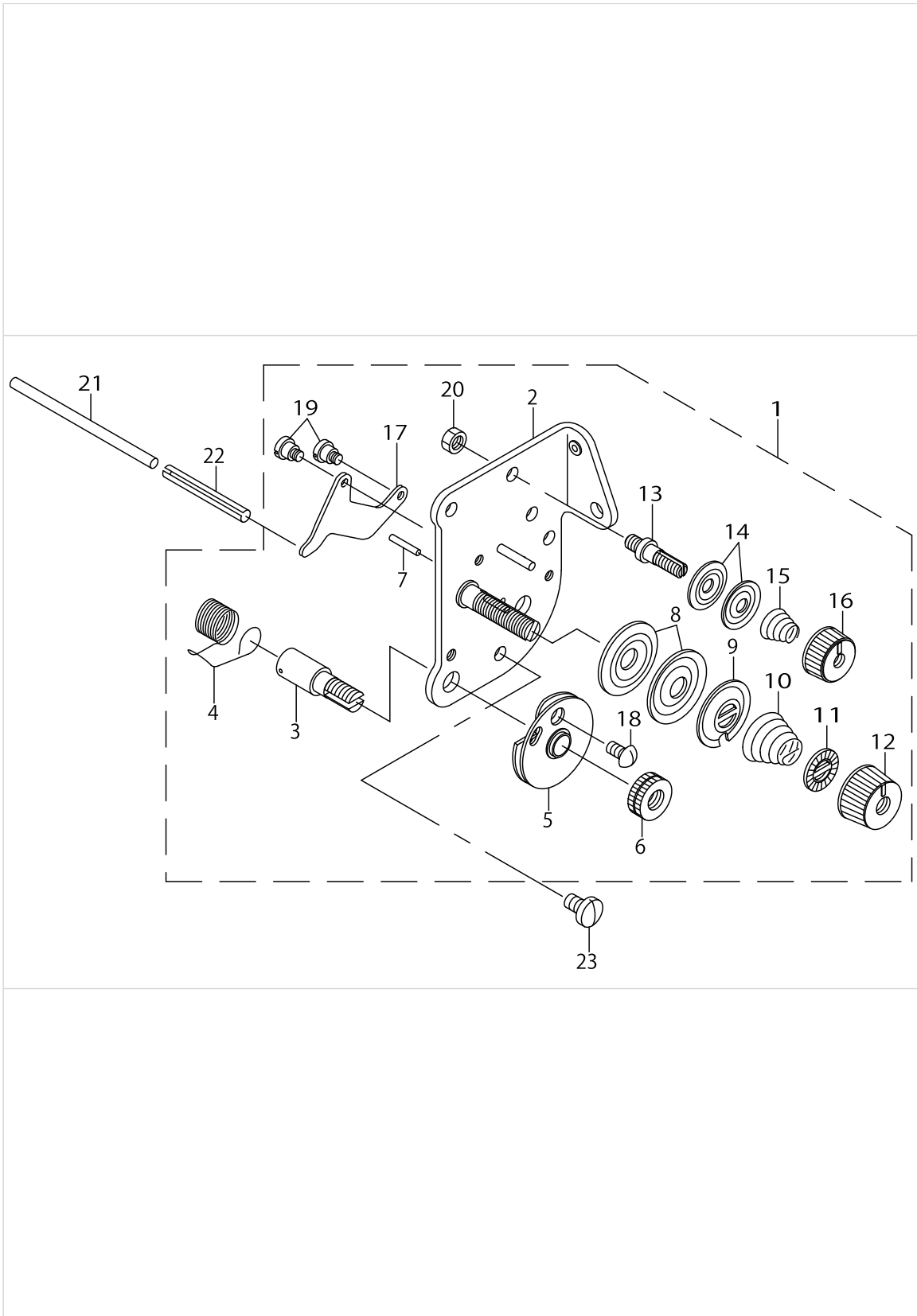
THREAD TENSION COMPONENTS (FOR PLC-1610-7,PLC-1610J-7)



THREAD TENSION COMPONENTS (FOR PLC-1610-7,PLC-1610J-7)

No.	Parts No.	Parts name	Remarks	Level	Cons	Qty
1	10320075	TENSION POST ASM.				1
2	10320059	TENSION POST BASE ASM.		*		1
3	10320109	SCREW STUD		*		1
4	10320505	TENSION RELEASE LEVER		*		1
5	10320703	TENSION RELEASE SOLENOID		*		1
6	10124204	THREAD TENSION POST, A		*		1
7	B3128051000	THREAD TAKE-UP SPRING, A		*		1
8	B31375270A0	TAKE-UP SPRING GUIDE ASM.		*		1
9	10320208	THRED TENSION STUD NUT		*		1
10	B3127051000	TENSION RELEASE PIN, SHORT		*		1
11	B3126051000	TENSION DISC		*		2
12	B3132051000	TENSION DISC HOLDER		*		1
13	B3129053000	TENSION SPRING		*		1
14	B3120125000	ROTATING STOPPER		*		1
15	11072204	TENSION NUT		*		1
16	B3214047000	BOBBIN WINDER TENSION DISC		*		2
17	D3168555H0B	TENSION SPRING NO.1		*		1
18	11072402	THREAD TENSION NUT		*		1
19	SD0470281SP	HINGE SCREW D=4.7 H=2.8		*		2
20	NS6110310SP	NUT 11/64-40		*		1
21	SS3090710TP	SCREW 9/64-40 L=7		*		1
22	SS7110510SP	SCREW 11/64-40 L=5		*		2
23	WS0310002KR	SPRING WASHER 3.1X5.9X0.7		*		1
24	23006406	TENSION RELEASE BAR				1
25	PS0600502KP	SPRING PIN				1
26	SS7110710SP	SCREW 11/64-40 L=7				2
27	SS6111140SP	SCREW 11/64-40 L=11				1
28	NS6110350SP	NUT 11/64-40				1

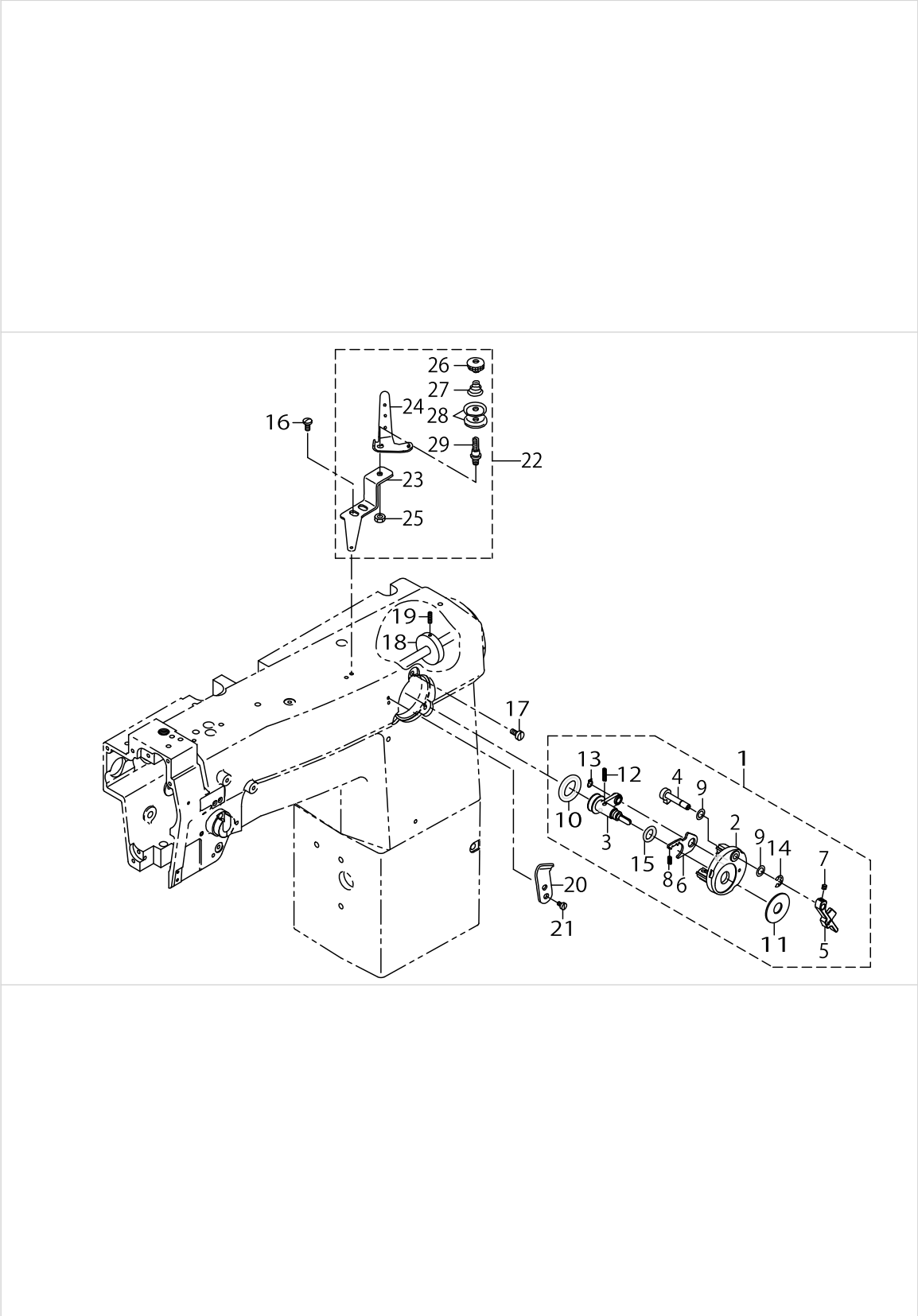
THREAD TENSION COMPONENTS (FOR PLC-1610)



THREAD TENSION COMPONENTS (FOR PLC-1610)

No.	Parts No.	Parts name	Remarks	Level	Cons	Qty
1	23009467	THREAD TENSION ASM.				1
2	23009459	TENSION POST COMPL.		*		1
3	10320109	SCREW STUD		*		1
4	B3128051000	THREAD TAKE-UP SPRING, A		*		1
5	B31375270A0	TAKE-UP SPRING GUIDE ASM.		*		1
6	B3125012000	THREAD TENSION NUT		*		1
7	B3127051000	TENSION RELEASE PIN, SHORT		*		1
8	B3126051000	TENSION DISC		*		2
9	B3132051000	TENSION DISC HOLDER		*		1
10	B3129053000	TENSION SPRING		*		1
11	B3120125000	ROTATING STOPPER		*		1
12	11072204	TENSION NUT		*		1
13	10124204	THREAD TENSION POST, A		*		1
14	B3214047000	BOBBIN WINDER TENSION DISC		*		2
15	D3168555H0B	TENSION SPRING NO.1		*		1
16	11072402	THREAD TENSION NUT		*		1
17	B3134521000	TENSION RELEASE LEVER		*		1
18	SS3090710TP	SCREW 9/64-40 L=7		*		1
19	SD0470281SP	HINGE SCREW D=4.7 H=2.8		*		2
20	NS6110310SP	NUT 11/64-40		*		1
21	23006406	TENSION RELEASE BAR				1
22	PS0600502KP	SPRING PIN				1
23	SS7110710SP	SCREW 11/64-40 L=7				2

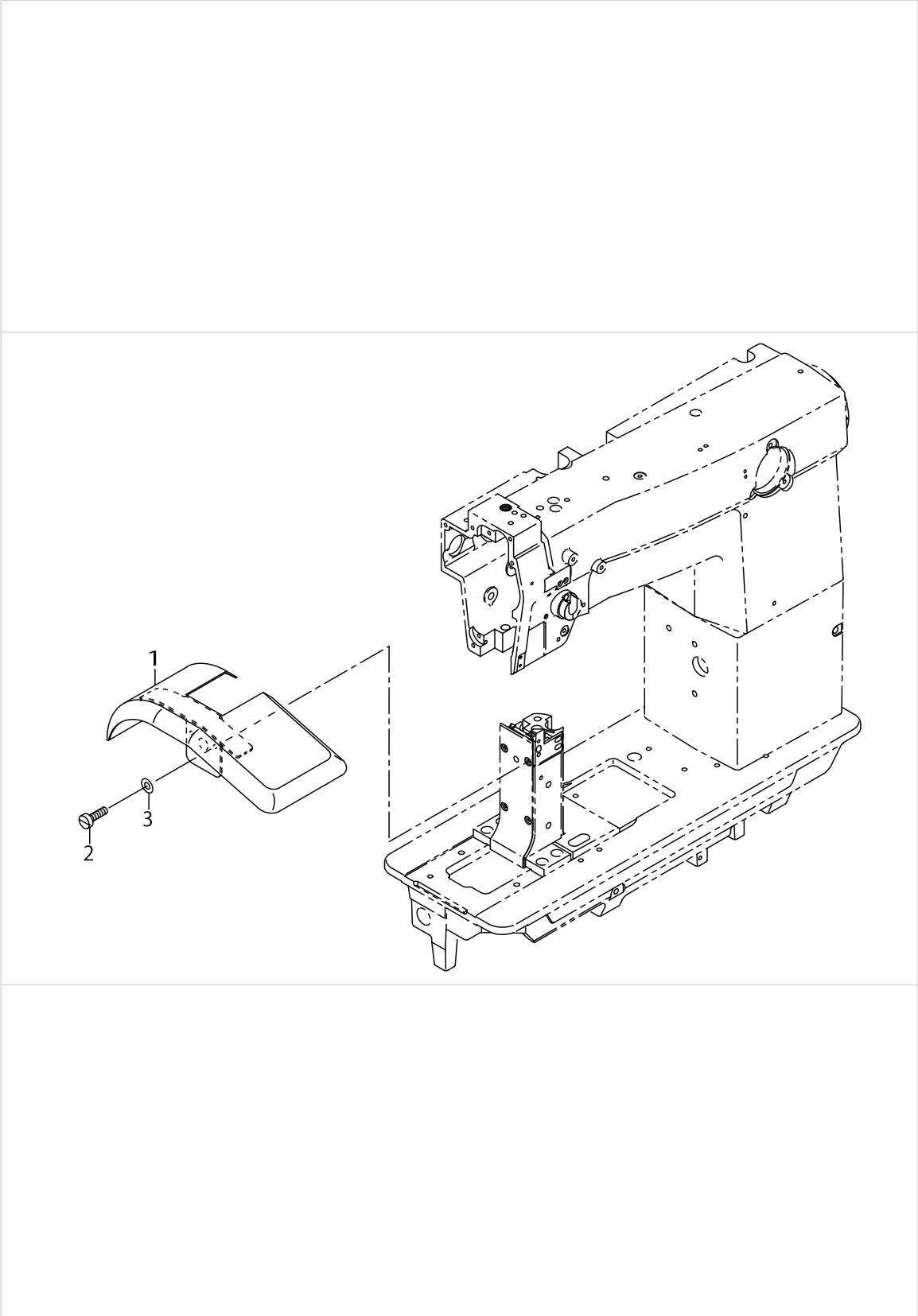
LOWER THREAD WINDER MECHANISM COMPONENTS



LOWER THREAD WINDER MECHANISM COMPONENTS

No.	Parts No.	Parts name	Remarks	Level	Cons	Qty
1	23009764	BOBBIN DEVICE ASM.				1
2	22537658	BOBBIN FITTING BASIS COMPL.		*		1
3	23009756	BOBBIN SHAFT COMPL.		*		1
4	22538151	BOBBIN CAM SHAFT COMPL.		*		1
5	22538300	BOBBIN LEVER		*		1
6	22538409	ADJUSTING PLATE		*		1
7	SS8110422TP	SCREW 11/64-40 L=4		*		1
8	B152989000CA	PRESSUR FOOT SPRING		*		1
9	10618304	VERTICAL ROLLER WASHER		*		2
10	A321600100A	RUBBER RING		*		1
11	B3205210000	CUSHION		*		1
12	B1148555000	SPRING		*		1
13	RC0560711KP	RETAINING RING		*		1
14	RE0500000K0	E-RING		*		1
15	RO092270200	RUBBER RING		*		1
16	SS7621040SP	SCREW 3/16-32 L= 9.5				2
17	SS6121030SP	SCREW 3/16-28 L=10				3
18	B3213205000	BOBBIN WINDER DRIVING WHEEL				1
19	SS8111610SP	SCREW 11/64-40 L=15.5				2
20	10502300	THREAD CUTTER				1
21	SS6090620SP	SCREW 9/64-40 L=6				2
22	10704153	BOBBIN THREAD GUIDE PLATE ASM.				1
23	10704104	BOBBIN THREAD GUIDE PLATE		*		1
24	10088003	THREAD GUIDE		*		1
25	NS6110310SP	NUT 11/64-40		*		1
26	B3216047000	BOBBIN WINDER TENSION NUT		*		1
27	D3168555H0B	TENSION SPRING NO.1		*		1
28	B3214047000	BOBBIN WINDER TENSION DISC		*		2
29	10124204	THREAD TENSION POST, A		*		1

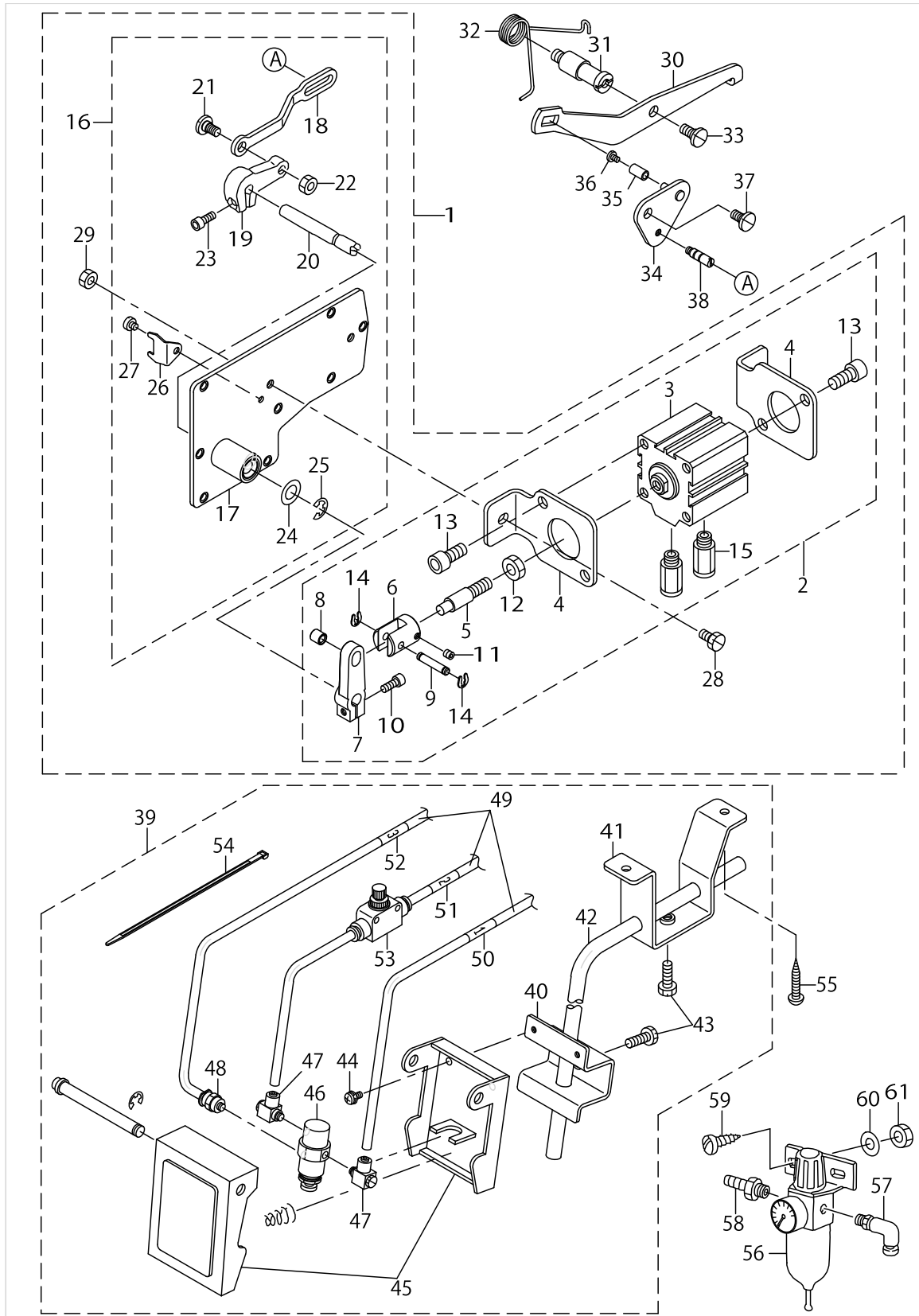
AUXILIARY BED COMPONENTS



AUXILIARY BED COMPONENTS

No.	Parts No.	Parts name	Remarks	Level	Cons	Qty
1	23024854	AUXILIARY BED ASM.				1
2	SS6091210TP	SCREW 9/64-40 L=12				2
3	WP0371016SD	WASHER 3.7X8X1				2

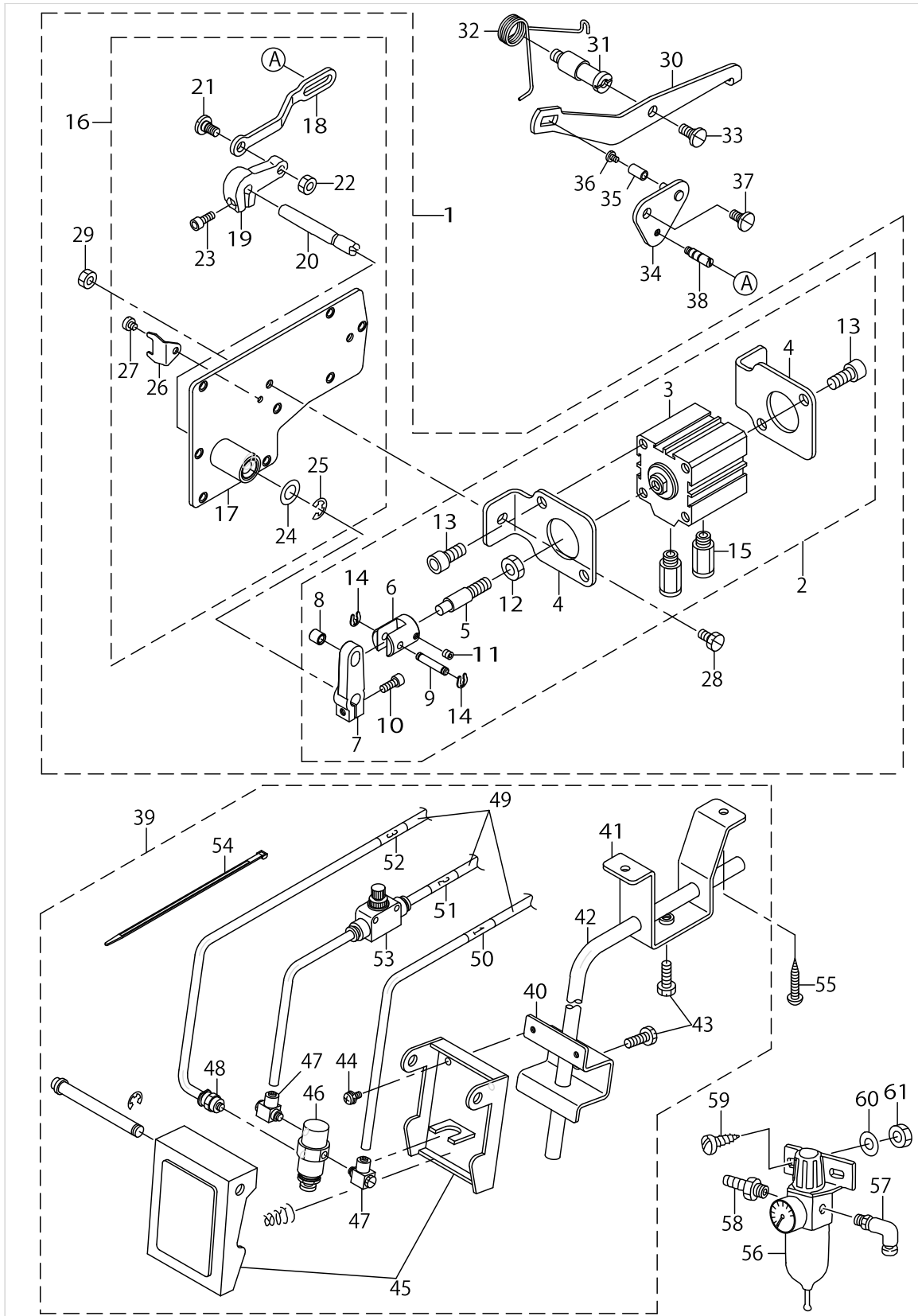
PRESSER LIFTING SOLENOID COMPONENTS(FOR AK-131A,EXCEPT PLC-1610J-7)



PRESSER LIFTING SOLENOID COMPONENTS(FOR AK-131A,EXCEPT PLC-1610J-7)

No.	Parts No.	Parts name	Remarks	Level	Cons	Qty
1	GAKA16010A0	AK DRIVING LINK ASM.				1
2	GAKA16030A0	AK CYLINDER ASM.		*		1
3	PA400200200	AIR CYLINDER		*		1
4	GAKA1604000	AK CYLINDER BASE		*		2
5	GAKA1605000	CYLINDER CONNECTING SHAFT		*		1
6	GAK33035000	SOLENOID COLLAR		*		1
7	GAK33011000	SOLENOID ARM, A		*		1
8	GAK33013000	SOLENOID PIN COLLAR		*		1
9	GAK33012000	SOLENOID PIN		*		1
10	SS6121212TP	SCREW 3/16-28 L=12.0		*		1
11	SM8050502TP	SCREW M5 L=5		*		1
12	NM6080001SE	NUT M8		*		1
13	SM6081802TP	SCREW		*		4
14	GAK33014000	SNAP RING		*		2
15	PJ301065104	HALF UNION		*		2
16	GAKA16020A0	AK WINDOW PLATE ASM.		*		1
17	GAKA16020B0	WINDOW PLATE ASM.		*		1
18	GAKA1606000	SOLENOID LINK		*		1
19	GAK33027000	SOLENOID ARM		*		1
20	GAK33028000	SOLENOID SHAFT		*		1
21	SD0720331SP	HINGE SCREW D= 7.24 H= 3.3		*		1
22	NS6150310SP	NUT 15/64-28		*		1
23	SS6121212TP	SCREW 3/16-28 L=12.0		*		1
24	WP1021016SD	WASHER		*		1
25	RE0700000K0	E-RING 7		*		1
26	GAK33024000	SOLENOID LINK HOLDER		*		1
27	SS6110480SP	SCREW 11/64-40 L=4.3		*		1
28	SS9151160CP	SCREW 15/64-28 L=10.5		*		2
29	NS6150310SP	NUT 15/64-28		*		2
30	10312106	KNEE LIFTER FRONT LEVER				1
31	10311504	HOLDER STUD				1
32	10312213	SPRING				1
33	SD0790361SP	HINGE SCREW D= 7.94 H= 3.6				1
34	GAKA16070A0	KNEE LIFT REAR LEVER ASM.				1
35	10311801	LEVER SHAFT ROLLER				1
36	SS7090530SP	SCREW 9/64-40 L= 4.5				1
37	SD0720331SP	HINGE SCREW D= 7.24 H= 3.3				1
38	GAK88040000	PIN				1
39	GAKA16080A0	KNEE LIFTER SWITCH ASM.				1
40	GAK81007000	KNEE LIFTER SWITCH BRACKET		*		1
41	GAK81008000	HOLDER		*		1
42	GAK81009000	ROD		*		1
43	SM9061850SC	SCREW M6 L=18		*		2
44	SL4041091SC	SCREW M4 L=10		*		2
45	PX020002000	ACTUATOR		*		1
46	PV010502000	AIR VALVE		*		1
47	PJ046059002	ELBOW		*		2

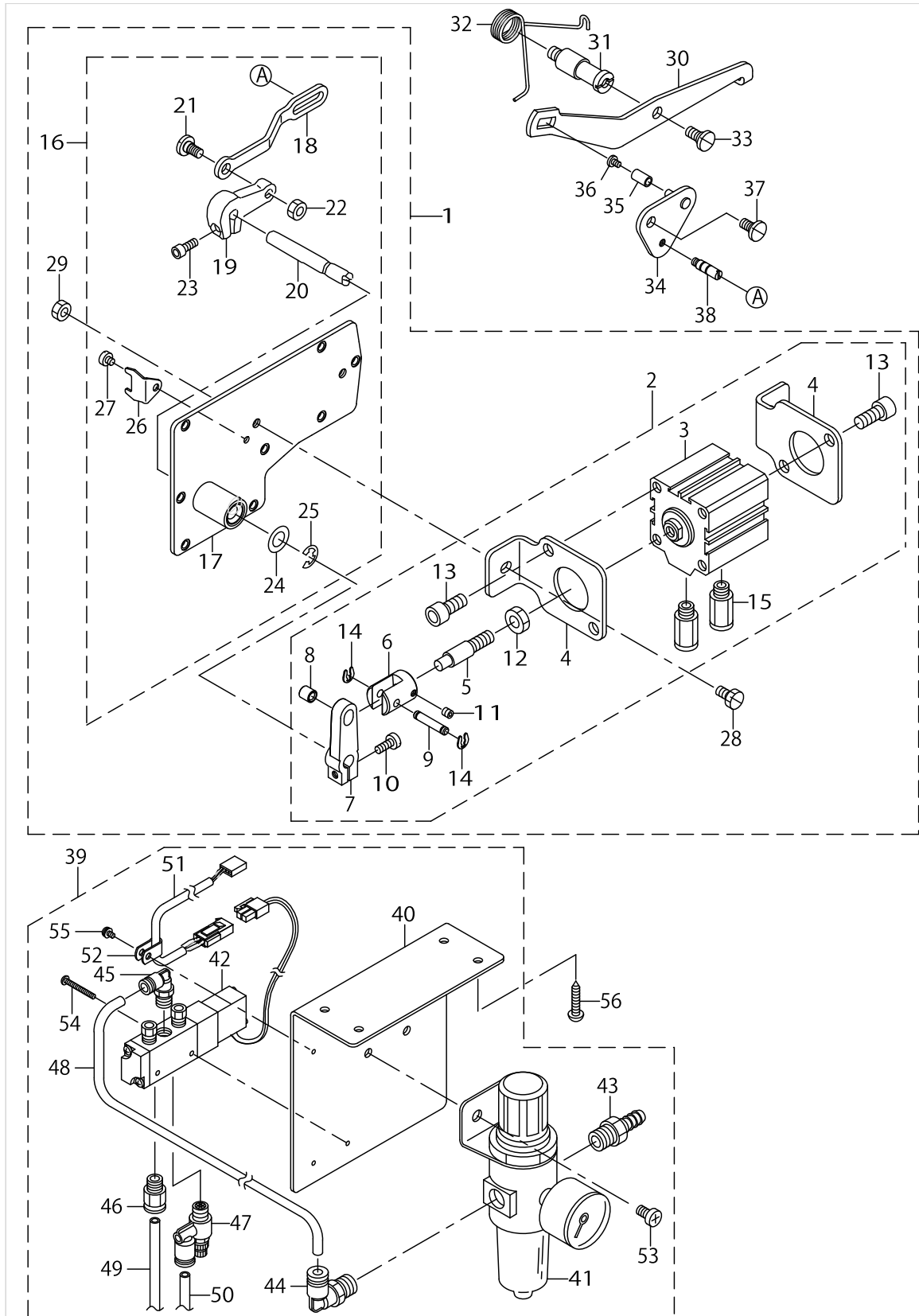
PRESSER LIFTING SOLENOID COMPONENTS(FOR AK-131A,EXCEPT PLC-1610J-7)



PRESSER LIFTING SOLENOID COMPONENTS(FOR AK-131A,EXCEPT PLC-1610J-7)

No.	Parts No.	Parts name	Remarks	Level	Cons	Qty
48	PJ301060504	JOINT		*		1
49	BT0600401EB	TUBE		*		4.34
50	18035006	CABLE MARK NO.1		*		1
51	18035105	WIRE MARK (2)		*		1
52	18035204	WIRE MARK (3)		*		1
53	PC012601000	SPEED CONTROLLER		*		1
54	EA9500B0200	CABLE BAND 150		*		1
55	SK3513200SC	WOOD SCREW D=5.1 L=32				2
56	PF0552100A0	FILTER REGULATER ASM.				1
57	PJ304065201	ELBOW UNION 6XPT1/4				1
58	F1021003000	HOSE JOINT				1
59	SL4041291SC	SCREW M4 L=12				2
60	WP0430801SC	WASHER 4.3X9X0.8				2
61	NM6040001SC	NUT M4				2

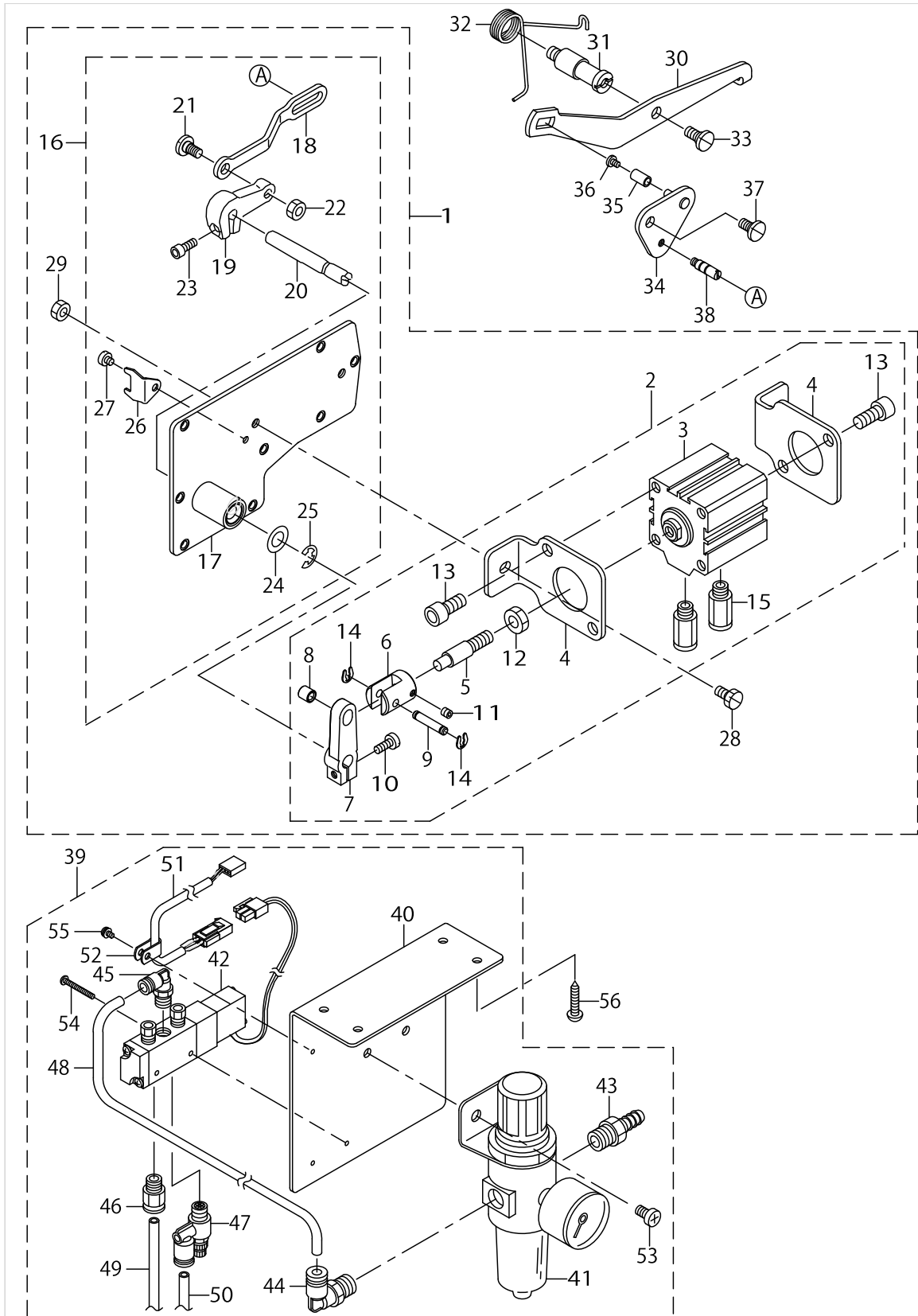
PRESSER LIFTING SOLENOID COMPONENTS(FOR AK-131B)



PRESSER LIFTING SOLENOID COMPONENTS(FOR AK-131B)

No.	Parts No.	Parts name	Remarks	Level	Cons	Qty
1	GAKA16010A0	AK DRIVING LINK ASM.				1
2	GAKA16030A0	AK CYLINDER ASM.		*		1
3	PA400200200	AIR CYLINDER		*		1
4	GAKA1604000	AK CYLINDER BASE		*		2
5	GAKA1605000	CYLINDER CONNECTING SHAFT		*		1
6	GAK33035000	SOLENOID COLLAR		*		1
7	GAK33011000	SOLENOID ARM, A		*		1
8	GAK33013000	SOLENOID PIN COLLAR		*		1
9	GAK33012000	SOLENOID PIN		*		1
10	SS6121210TP	SCREW 3/16-28 L=12		*		1
11	SM8050502TP	SCREW M5 L=5		*		1
12	NM6080001SE	NUT M8		*		1
13	SM6081802TP	SCREW		*		4
14	GAK33014000	SNAP RING		*		2
15	PJ301065104	HALF UNION		*		2
16	GAKA16020A0	AK WINDOW PLATE ASM.		*		1
17	GAKA16020B0	WINDOW PLATE ASM.		*		1
18	GAKA1606000	SOLENOID LINK		*		1
19	GAK33027000	SOLENOID ARM		*		1
20	GAK33028000	SOLENOID SHAFT		*		1
21	SD0720331SP	HINGE SCREW D= 7.24 H= 3.3		*		1
22	NS6150310SP	NUT 15/64-28		*		1
23	SS6121212TP	SCREW 3/16-28 L=12.0		*		1
24	WP1021016SD	WASHER		*		1
25	RE0700000K0	E-RING 7		*		1
26	GAK33024000	SOLENOID LINK HOLDER		*		1
27	SS6110480SP	SCREW 11/64-40 L=4.3		*		1
28	SS9151160CP	SCREW 15/64-28 L=10.5		*		2
29	NS6150310SP	NUT 15/64-28		*		2
30	10312106	KNEE LIFTER FRONT LEVER				1
31	10311504	HOLDER STUD				1
32	10312213	SPRING				1
33	SD0790361SP	HINGE SCREW D= 7.94 H= 3.6				1
34	GAKA16070A0	KNEE LIFT REAR LEVER ASM.				1
35	10311801	LEVER SHAFT ROLLER				1
36	SS7090530SP	SCREW 9/64-40 L= 4.5				1
37	SD0720331SP	HINGE SCREW D= 7.24 H= 3.3				1
38	GAK88040000	PIN				1
39	40024970	AIR APPARATUS (A) ASM.				1
40	GAKA1401000	SOLENOID VALVE MOUNTING PLATE		*		1
41	GAK29007000	FILTER REGULATOR		*		1
42	GAKA14030A0	SOLENOID VALVE ASM.		*		1
43	GAK29011000	NIPPLE		*		1
44	GAK29009000	ELBOW		*		1
45	GAK29010000	ELBOW B		*		1
46	GAK29015000	JOINT A		*		1
47	GAK29016000	SPEED CONTROLLER		*		1

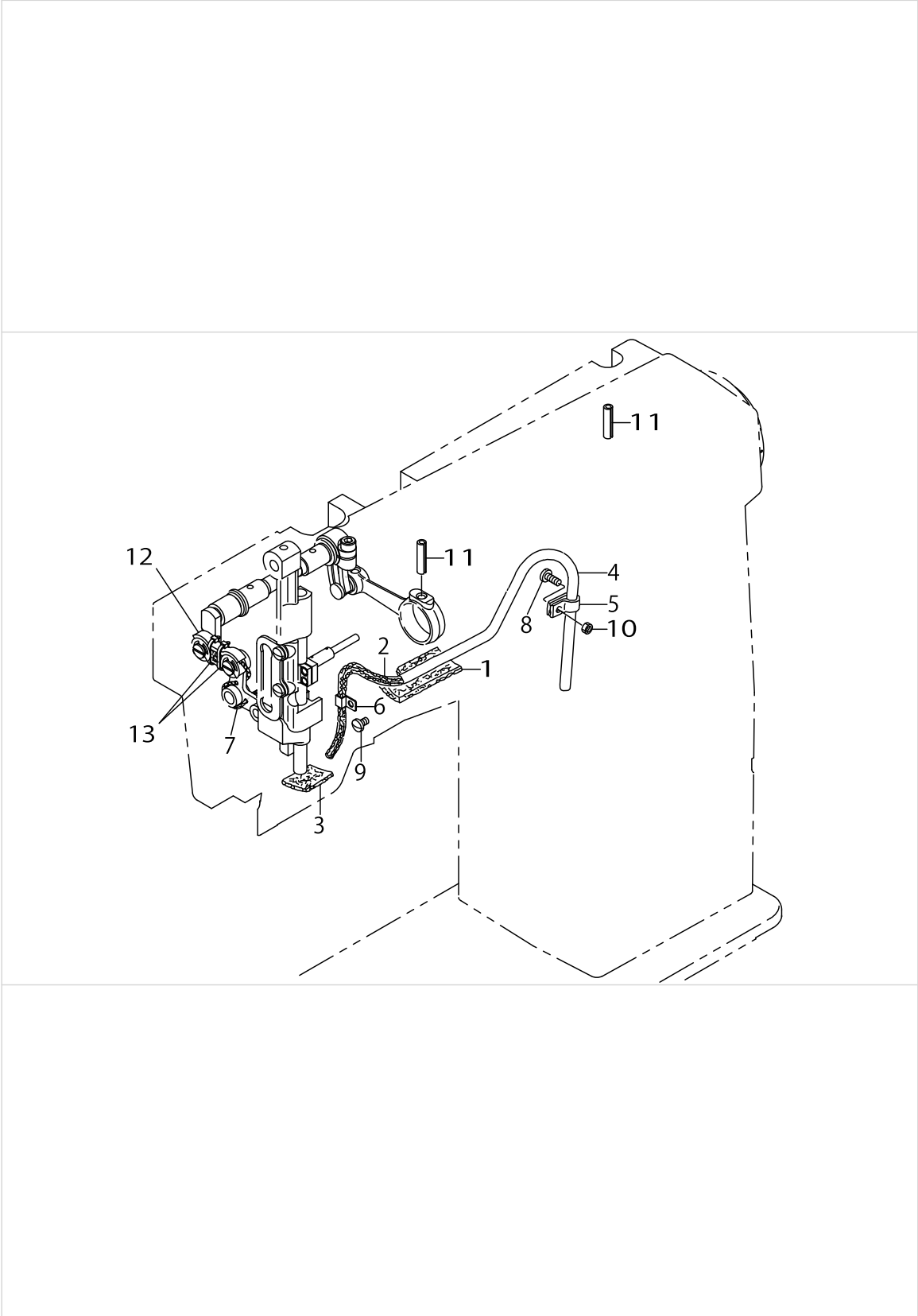
PRESSER LIFTING SOLENOID COMPONENTS(FOR AK-131B)



PRESSER LIFTING SOLENOID COMPONENTS(FOR AK-131B)

No.	Parts No.	Parts name	Remarks	Level	Cons	Qty
48	BT0600401EB	TUBE		*		0.18
49	BT0600401EB	TUBE		*		1.45
50	BT0600401EB	TUBE		*		1.45
51	40025359	AK CORD ASM.		*		1
52	HX001230000	CABLE CLIP		*		1
53	SM4061001SB	SCREW M6 L=10		*		2
54	SM4032501SB	SCREW M3X0.5 L=25.0		*		2
55	SL4030691SC	SCREW M3X6		*		1
56	SK3482500SC	WOOD SCREW D=4.8 L=25				4

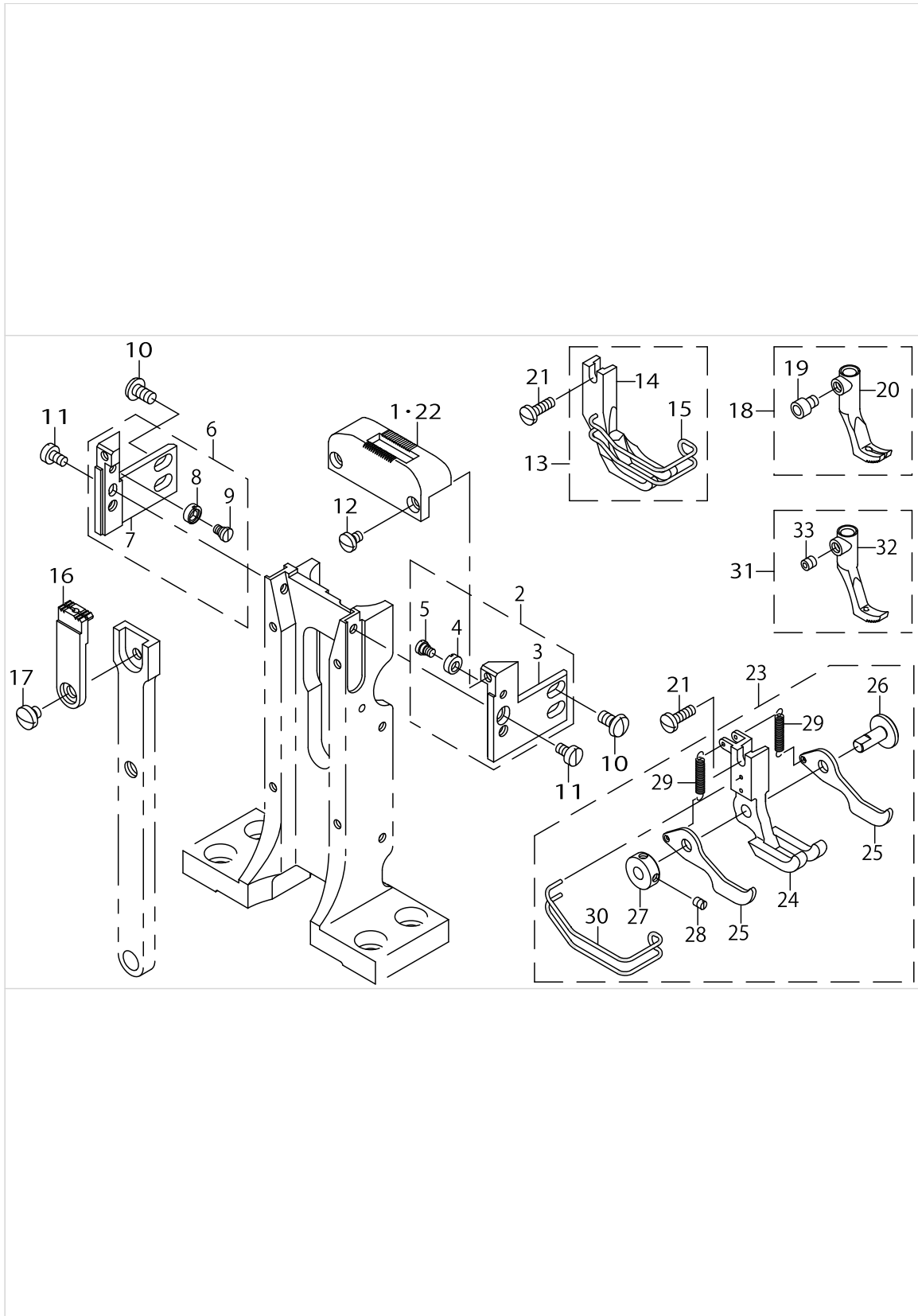
LUBRICATION COMPONENTS



LUBRICATION COMPONENTS

No.	Parts No.	Parts name	Remarks	Level	Cons	Qty
1	10321602	FELT				1
2	10321701	OIL RETURN WICK				1
3	B3526226000	OIL SPONGE				1
4	BP800000000	VINYL TUBE, WHITE D=8				0.3
5	EA9502B0500	CABLE CLIP				1
6	B3508512000	OIL FELT HOLDER				1
7	CQ202000000	OIL WICK				0.2
8	SS7110710SP	SCREW 11/64-40 L=7				1
9	SS7111140SP	SCREW 11/64-40 L=11				1
10	NS6110310SP	NUT 11/64-40				1
11	PS060024100	SPRING PIN 6X24				2
12	23014608	CONNECTING LINK FELT				1
13	EA9500B0000	CLIP CV-70S				2

GAUGE COMPONENTS(STANDARD PARTS)



GAUGE COMPONENTS(STANDARD PARTS)

No.	Parts No.	Parts name	Remarks	Level	Cons	Qty
1	23030000	THROAT PLATE				1
2	23009251	THROAT PLATE HOLDER A ASM.				1
3	23009202	THROAT PLATE HOLDER A		*		1
4	23007503	ECCENTRIC ROLLER		*		1
5	23007602	HINGE SCREW		*		1
6	23009350	THROAT PLATE HOLDER B ASM.				1
7	23009301	THROAT PLATE HOLDER B		*		1
8	23007503	ECCENTRIC ROLLER		*		1
9	23007602	HINGE SCREW		*		1
10	SS5110810SP	SCREW 11/64-40 L=8				4
11	SS6090620SP	SCREW 9/64-40 L=6				2
12	SS7090530SP	SCREW 9/64-40 L= 4.5				2
13	23033053	PRESSER FOOT ASM.				1
14	23033004	PRESSER FOOT		*		1
15	23034002	FINGER GUARD		*		1
16	23031008	FEED DOG				1
17	SS7110410SP	SCREW 11/64-40 L=4				1
18	23032055	FEED FOOT ASM.(STD)				1
19	SM6040552TP	SCREW M4 L=4.5		*		1
20	23032006	FEED FOOT(STD)		*		1
21	SS7091110TP	SCREW 9/64-40 L=10.5				1
22	23030406	THROAT PLATE	FOR PLC-1610J-7			1
23	23033152	PRESSER FOOT (3/32") ASM.	FOR PLC-1610J-7			1
24	23033103	PRESSER FOOT (3/32)		*		1
25	23034408	GUIDE PLATE		*		2
26	23034507	GUIDE SHAFT (3/32)		*		1
27	23034606	GUIDE SHAFT COLLAR		*		1
28	SS8080410TP	SCREW 1/8-44 L=3.5		*		2
29	23034705	GUIDE SPRING		*		2
30	23034101	FINGER GUARD		*		1
31	23032253	FEED FOOT (3/32") ASM.	FOR PLC-1610J-7			1
32	23032204	FEED FOOT (3/32)		*		1
33	SM8040402TP	SCREW M4X0.7 L=4		*		1

TABLE AND STAND & BELT COVER COMPONENTS

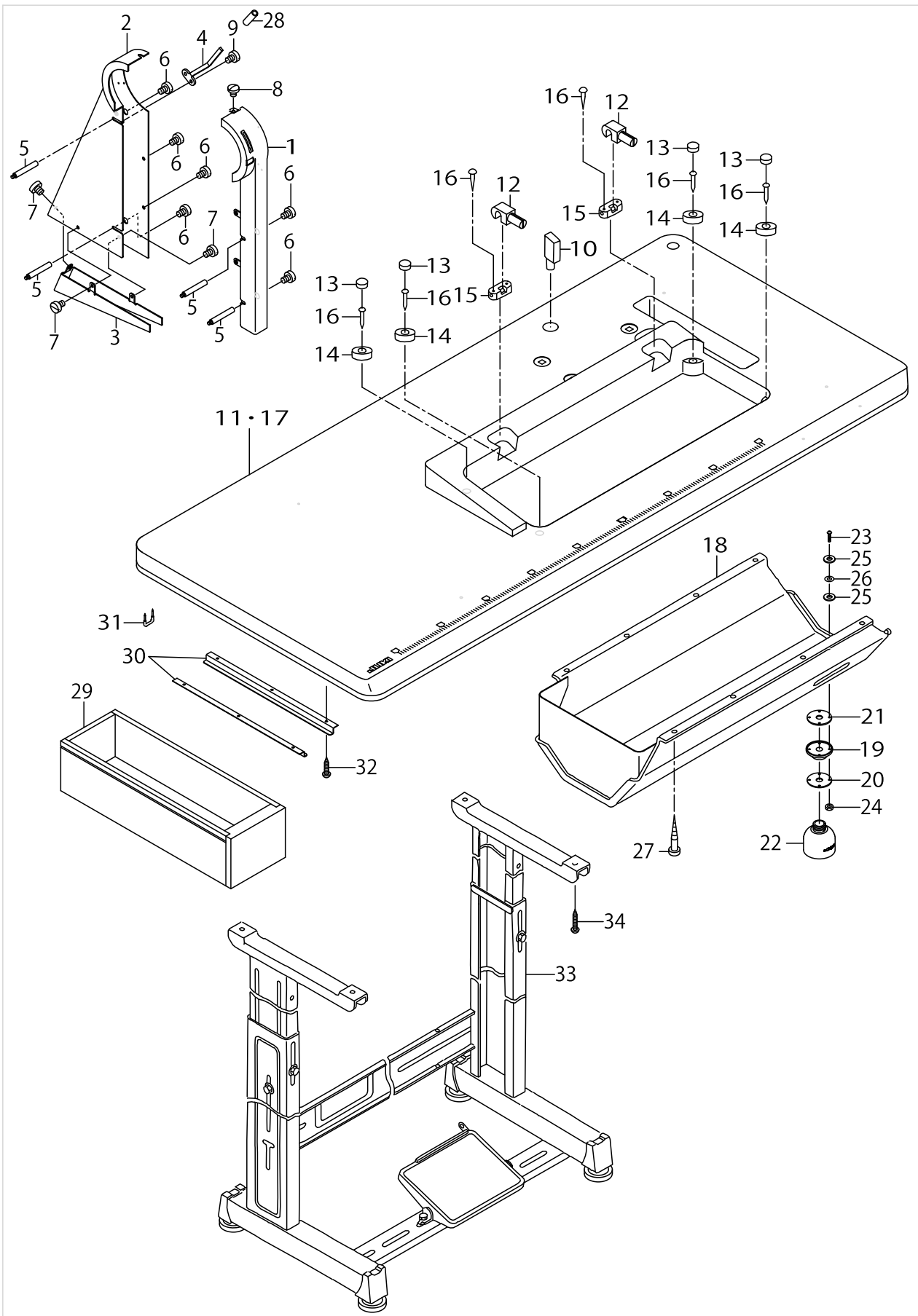
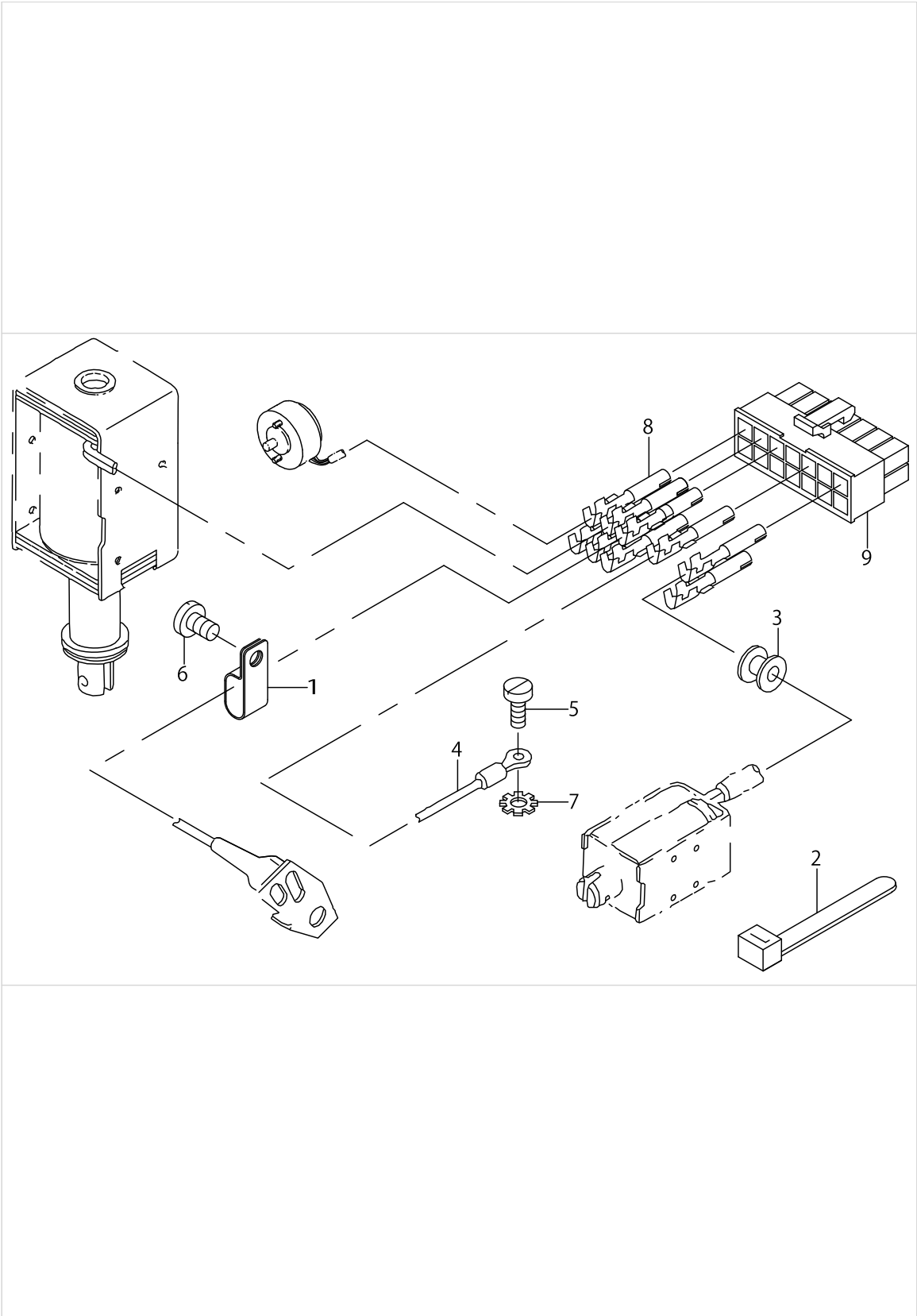


TABLE AND STAND & BELT COVER COMPONENTS

No.	Parts No.	Parts name	Remarks	Level	Cons	Qty
1	23012859	BELT COVER (LABEL STICK)				1
2	23012909	BELT COVER (REAR)				1
3	23013006	BELT COVER (UNDER)				1
4	23013105	SYNCHRO SUPPORT				1
5	D8232141E00	BELT COVER SUPPORT				4
6	SS6110610TP	SCREW 11/64-40 L=6				6
7	SS6110610TP	SCREW 11/64-40 L=6				3
8	SS7110510SP	SCREW 11/64-40 L=5				1
9	SS6110610TP	SCREW 11/64-40 L=6				2
10	10528800	FRAME SUPPORT BAR				1
11	23012701	OBLIQUE TABLE				1
12	B8213012000	BED HINGE CONNECTION				2
13	B8206012000	FELT CUSHION				4
14	B8209012000	RUBBER CUSHION				4
15	10529600	WASHER				2
16	10539906	SET NAIL				8
17	23012602	FLAT TABLE	FOR FLAT TABLE			1
18	10772952	OIL RESERVOIR ASM.				1
19	40025299	OIL POT JOINT				1
20	21379003	OIL MANAGEMENT WASHER				1
21	B8112220000	OIL SEAL				1
22	40025300	OIL POT				1
23	SM3031401SE	SCREW M3X0.5 L=14				4
24	NM6030001SC	NUT M3				4
25	10748101	OIL REMOVING SETSCREW PACKING				8
26	WP0320501SC	WASHER M3				4
27	SK3241601SC	WOOD SCREW D=2.4 L=16				8
28	BT0630520Z0	HOLDER COVER				0.01
29	11155108	DRAWER				1
30	11155207	DRAWER SUPPORT				2
31	D8204555D00	DRAWER STOPPER				1
32	SK3311600SE	WOOD SCREW D=3.1 L=16				6
33	11157567	T LEG JUNCTION				1
34	SK3513200SC	WOOD SCREW D=5.1 L=32				4

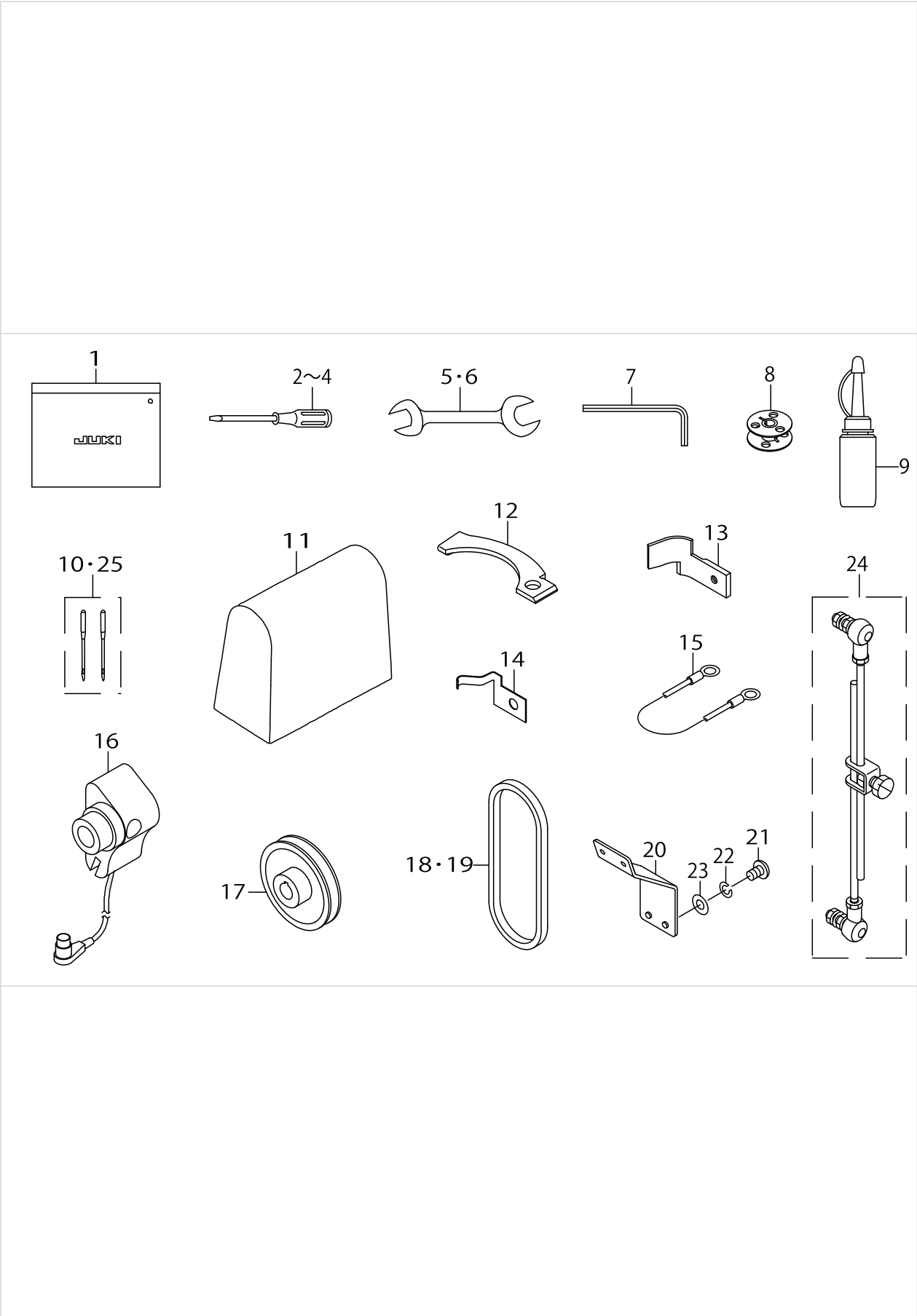
EXCLUSIVE PARTS FOR PLC-1610-7 , PLC-1610J-7



EXCLUSIVE PARTS FOR PLC-1610-7 , PLC-1610J-7

No.	Parts No.	Parts name	Remarks	Level	Cons	Qty
1	MAZ02508000	CORD HOLDER				2
2	EA9500B0000	CLIP CV-70S				3
3	D2414141E00	LORD BUSHING				1
4	22951552	GROUND WIRE ASM.	FOR PLC-1610-7 , PLC-1610J-7(SC-510)			1
5	SS6111140SP	SCREW 11/64-40 L=11				1
6	SS7110710SP	SCREW 11/64-40 L=7				1
7	WT0530002KS	TOOTHED WASHER D=5.3				1
8	HK03464000B	PIN CONTACT				8
9	HK034610140	HOUSING 14P				1

ACCESSORIES PARTS COMPONENTS



ACCESSORIES PARTS COMPONENTS

No.	Parts No.	Parts name	Remarks	Level	Cons	Qty
1	B9101552000	ACCESSORY BOX				1
2	22933006	SCREW DRIVER,LARGE				1
3	B9110012000	SCREW DRIVER, MIDDLE				1
4	B9111012000	SCREW DRIVER, SMALL				1
5	B9143372000	WRENCH (7.1 X 8.1)				1
6	B9113012000	WRENCH (9X10)				1
7	B9141372000	HEXAGONAL WRENCH, LARGE				1
8	10759603	ALUMINUM BOBBIN (DOUBLE-CUT)				2
9	B91212200A0	OILER (CONTAINING NO.2 OIL)				1
10	MC321001402	NEEDLE 134-35 #140-2				2
11	10529808	COVER				1
12	23005804	MOVING KNIFE	FOR PLC-1610-7,PLC-1610J-7			1
13	23005903	FIXED KNIFE	FOR PLC-1610-7,PLC-1610J-7			1
14	23006000	CLAMP SPRING	FOR PLC-1610-7,PLC-1610J-7			1
15	10741759	GROUND WIRE ASM.	FOR PLC-1610-7 (HEAD ONLY DELIVERY TO JUS,JE), FOR PLC-1610J-7(GENERAL EXPORT)			1
16	40026920	SYNCHRONIZER ASM.	FOR PLC-1610-7, PLC-1610J-7(SC-510)			1
17	MTSP00750B0	MOTOR PULLEY ASM. P.C.D 75	FOR PLC-1610-7, PLC-1610J-7(SC-510)			1
18	MTJVH00530A	V BELT 53INCH	FOR PLC-1610-7, PLC-1610J-7(SC-510)			1
19	MTJVH00510A	V BELT 51INCH	FOR PLC-1610-7,PLC-1610J-7 (FLAT TABLE)			1
20	D1114245F00	PANEL THREAD GUIDE	FOR PLC-1610-7,PLC-1610J-7			1
21	SM4040601SC	SCREW M4X0.7 L=6	FOR PLC-1610-7,PLC-1610J-7			1
22	WS0410002KN	SPRING WASHER	FOR PLC-1610-7,PLC-1610J-7			1
23	WP0430800SC	WASHER M4	FOR PLC-1610-7,PLC-1610J-7			1
24	22958458	CONNECTING ROD ASM. B	EXCEPT PLC-1610-7,PLC-1610J-7			1
25	MC321001202	NEEDLE 134-35 #120-2	FOR PLC-1610J-7			1

HOW TO MAKE USE OF THIS PARTS LIST

1.Explanation of codes

1)"*"mark.....means this part is changed from the previous parts book.

As to the details of the change, refer to the "List for information of change".

2)"#01".....refer to "Note" explanation at bottom of page.

2.Codes on the "Qty" column

- Each numeral indicates the number of parts required.
- "0.1" and "2.5" indicate the length (in meters) of the respective parts.

3.Parentheses mean that the corresponding part is a subpart that constructs an assembly part.

4.Dotted lines on the Figures indicate assembly parts.

1."注記"欄の記号説明

1) "*"印.....前回のパーツブックに比較して今回変更された部品を意味します。

変更内容は、"変更情報リスト"を参照してください。

2) "#01".....ページ下の"注記"の説明を参照してください。

2.数量欄の数字は、個数を表し、0.1、2.5等の数値は、長さ（単位メートル）を表します。

3.数量欄の（ ）は、組部品を構成している子部品であることを意味します。

4.イラストページの-----枠は、組構成であることを意味します。

NUMERICAL INDEX OF PARTS

PART NO	PAGE	REF NO.	PART NO	PAGE	REF NO.	PART NO	PAGE	REF NO.
10004109	4	47	10315000	14	1	18035006	38	50
10088003	32	24	10315109	14	2	18035105	38	51
10106102	14	26	10315208	14	3	18035204	38	52
10107407	26	34	10315505	14	5	21026307	14	33
10107506	14	34	10320059	28	2	21048707	12	14
10107902	14	11	10320075	28	1	21355904	4	52
10111904	18	16~19	10320109	28	3	21379003	48	20
10112001	18	16~19	10320109	30	3	21427307	18	2
10112100	18	16~19	10320208	28	9	22537658	32	2
10112209	18	16~19	10320505	28	4	22538151	32	4
10116606	22	2	10320703	28	5	22538300	32	5
10116804	22	4	10321602	44	1	22538409	32	6
10116903	22	5	10321701	44	2	22602601	2	4
10117109	22	8	10439008	2	15	22603708	2	39
10117851	22	18	10502300	32	20	22603906	8	52
10119204	26	9	10503605	6	43	22609200	14	4
10119402	26	13	10509701	12	28	22609606	14	6
10119709	26	16	10528800	48	10	22610109	14	28
10119907	26	17	10529600	48	15	22610406	14	29
10120004	26	18	10529808	52	11	22611602	6	12
10124204	28	6	10539906	48	16	22611651	6	11
10124204	30	13	10618304	32	9	22814008	20	42
10124204	32	29	10704104	32	23	22904106	14	39
10161206	26	4	10704153	32	22	22904155	14	38
10161305	26	10	10708204	10	36	22912109	14	18
10201200	2	20	10722908	20	35	22933006	52	2~4
10204709	10	5	10723104	20	41	22951552	50	4
10207116	14	32	10741759	52	15	22958458	52	24
10207405	14	30	10748101	48	25	23000656	2	9
10212009	26	15	10759603	20	30	23000805	2	10
10301307	10	3	10759603	52	8	23001001	6	5-63
10301950	2	1	10772952	48	18	23001100	6	23-66
10305001	6	1	10774008	2	6	23001308	6	35
10305100	6	3	11071701	12	32	23001407	6	36
10305159	6	2	11071800	12	35	23001506	6	37
10308203	10	2	11072204	28	15	23001605	6	44
10310712	12	30	11072204	30	12	23001704	6	47
10311504	36	31	11072402	28	18	23001803	8	50
10311504	40	31	11072402	30	16	23001902	8	51
10311801	36	35	11155108	48	29	23002207	10	6
10311801	40	35	11155207	48	30	23002306	10	9
10312106	36	30	11157567	48	33	23002405	10	10
10312106	40	30	13516604	16	49~51	23002504	10	17
10312213	36	32	13516703	16	49~51	23002603	10	18
10312213	40	32	13519202	16	49~51	23002702	10	19

NUMERICAL INDEX OF PARTS

PART NO	PAGE	REF NO.	PART NO	PAGE	REF NO.	PART NO	PAGE	REF NO.
23002801	12	33	23007503	46	8	23025901	20	40
23002959	12	36	23007602	46	9	23026008	20	39
23003007	12	15	23008006	6	20	23026057	20	31
23003106	14	7-75	23008055	6	19	23026107	20	22
23003254	14	8	23008105	18	20	23026206	20	23
23003304	14	10	23008303	10	8	23026404	20	43
23003353	14	9	23008402	26	8	23026503	20	7
23003403	14	14-76	23008709	14	47	23026602	20	10
23003502	18	27	23008808	14	31	23026701	20	37
23003601	14	22	23008907	2	11	23026800	20	36
23003700	14	24	23009004	2	44	23027063	20	18
23003809	14	27	23009103	2	45	23027105	20	20
23003908	14	46	23009202	46	3	23027154	20	19
23004104	10	22	23009251	46	2	23027402	20	38
23004203	18	1	23009301	46	7	23027451	20	33
23004302	18	3	23009350	46	6	23027501	20	34
23004500	18	12	23009459	30	2	23028707	18	14
23004609	18	13	23009467	30	1	23030000	46	1-22
23004708	18	29	23009509	16	55	23030406	46	1-22
23004906	18	15	23009608	12	22	23031008	46	16
23005002	22	14	23009756	32	3	23032006	46	20
23005051	22	1	23009764	32	1	23032055	46	18
23005200	22	19	23012602	48	11-17	23032204	46	32
23005309	22	35	23012701	48	11-17	23032253	46	31
23005358	22	34	23012859	48	1	23033004	46	14
23005804	22	24	23012909	48	2	23033053	46	13
23005804	52	12	23013006	48	3	23033103	46	24
23005903	22	25	23013105	48	4	23033152	46	23
23005903	52	13	23014608	44	12	23034002	46	15
23006000	22	26	23014806	22	20	23034101	46	30
23006000	52	14	23021900	22	36	23034408	46	25
23006109	22	27	23022007	22	7	23034507	46	26
23006208	22	28	23022106	18	10-11	23034606	46	27
23006307	22	29	23022205	18	10-11	23034705	46	29
23006406	28	24	23024607	8	23-66	23039159	20	16
23006406	30	21	23024706	18	32	40016538	10	1
23006505	12	1	23024755	18	30	40024970	40	39
23006604	12	3	23024854	34	1	40025299	48	19
23006703	12	4	23025000	20	32	40025300	48	22
23006802	12	5	23025059	20	1	40025359	42	51
23006901	12	6	23025158	20	3	40025467	16	7-75
23007008	10	39	23025208	20	5	40026920	52	16
23007107	12	13	23025257	20	4	40032259	2	2
23007305	14	25	23025307	20	24	A321600100A	32	10
23007404	2	3	23025802	20	21	B1114280000	26	20

NUMERICAL INDEX OF PARTS

PART NO	PAGE	REF NO.	PART NO	PAGE	REF NO.	PART NO	PAGE	REF NO.
B1114517000	2	40	B1636581B00	14	23	BP800000000	44	4
B1129051000	2	7	B1639051000	8	48	BT0600401EB	38	49
B1129521000	2	5	B1653470000	14	21	BT0600401EB	42	50
B1140526000	2	8	B1807512000	18	4	BT0630520Z0	48	28
B1148555000	32	12	B1816512000	18	5	CM300200001	2	17
B1202512000	6	4	B1905245000	8	5-63	CM3002000B1	2	16
B1203512000	6	21	B1906051000	6	6	CM300200101	2	18-19
B1206051000	6	16-64	B1907526000	6	8-65	CM3002001A1	2	18-19
B1206245000	8	16-64	B3120125000	28	14	CQ200000000	6	7
B1210051000	6	17	B3120125000	30	11	CQ202000000	10	15
B1214019000	6	34	B3125012000	30	6	CQ202000000	14	45
B1305055000A	6	38	B3126051000	28	11	CQ202000000	44	7
B1307055000	6	39	B3126051000	30	8	CQ252000000	6	9
B1308055000	6	40	B3127051000	28	10	CQ303000000	6	18
B1309055000	6	41	B3127051000	30	7	CS0700811SH	24	51
B1310055000	6	42	B3128051000	28	7	CS0950810SH	22	30
B1313055000	6	45	B3128051000	30	4	CS0950816SH	22	31
B1314055000	6	46	B3129053000	28	13	CS1021211SH	14	36
B1401246000	10	4	B3129053000	30	10	D1114245F00	52	20
B1408051000	6	15	B3132051000	28	12	D1454055B00	12	8
B1410771000	10	11	B3132051000	30	9	D1455055B00	12	7
B1411057000	10	20	B3134521000	30	17	D1456055B00	12	21
B1412051000	10	21	B31375270A0	28	8	D1462241E00	12	18
B1414232000	10	12~14	B31375270A0	30	5	D1463241E00	12	19
B141423200A	10	12~14	B3138512000	2	42	D1680141EA0	26	3
B141423200B	10	12~14	B3205210000	32	11	D1681241E0A	26	1
B1414555000	12	9	B3213205000	32	18	D1684141E00A	26	14
B1418141H00	10	41	B3214047000	28	16	D1687141E00	26	23
B1437051000	10	16	B3214047000	30	14	D1907241E00	8	8-65
B1450057000	6	32	B3214047000	32	28	D2414141E00	50	3
B1455053000	12	2	B3216047000	32	26	D2427555B00B	22	15
B1461245000	12	17	B3417051000	22	37	D2428555B00A	22	16
B1462053000	12	38	B3508512000	44	6	D2430555B00	22	17
B14670530A0	12	10	B3526226000	44	3	D2436245E00	22	45
B1468053000	12	11	B8112220000	48	21	D2464555B00	26	11
B1501141H00	12	34	B8206012000	48	13	D2515232D00	26	19
B1502246000	12	31	B8209012000	48	14	D3168555H0B	28	17
B1509141H00	12	29	B8213012000	48	12	D3168555H0B	30	15
B1513280000	14	17	B9101552000	52	1	D3168555H0B	32	27
B152989000CA	32	8	B9110012000	52	2~4	D8204555D00	48	31
B1604012000A	14	19	B9111012000	52	2~4	D8232141E00	48	5
B1610512000	14	20	B9113012000	52	5-6	EA9500B0000	44	13
B16231450A0	16	14-76	B91212200A0	52	9	EA9500B0000	50	2
B162438000A	14	35	B9141372000	52	7	EA9500B0200	38	54
B1633470000	14	16	B9143372000	52	5-6	EA9502B0500	44	5

NUMERICAL INDEX OF PARTS

PART NO	PAGE	REF NO.	PART NO	PAGE	REF NO.	PART NO	PAGE	REF NO.
F1021003000	38	58	GAKA16070A0	40	34	PJ304065201	38	57
GAK29007000	40	41	GAKA16080A0	36	39	PS0200182KR	2	12
GAK29009000	40	44	HK034610140	50	9	PS0400322KP	26	21
GAK29010000	40	45	HK03464000B	50	8	PS0500142KP	4	51
GAK29011000	40	43	HX001230000	42	52	PS060024100	44	11
GAK29015000	40	46	MAT80110L00	2	33	PS0600502KP	28	25
GAK29016000	40	47	MAT81126T00	26	2	PS0600502KP	30	22
GAK33011000	36	7	MAZ02508000	50	1	PT0302000S0	10	7
GAK33011000	40	7	MC321001200	10	23·35	PV010502000	36	46
GAK33012000	36	9	MC321001202	52	10·25	PX020002000	36	45
GAK33012000	40	9	MC321001400	10	23·35	RC0560711KP	32	13
GAK33013000	36	8	MC321001402	52	10·25	RC0740811KP	14	15
GAK33013000	40	8	MTJVH00510A	52	18·19	RE0400000K0	26	12
GAK33014000	36	14	MTJVH00530A	52	18·19	RE0500000K0	8	53
GAK33014000	40	14	MTSP00750B0	52	17	RE0500000K0	16	71
GAK33024000	36	26	NM6030001SC	48	24	RE0500000K0	32	14
GAK33024000	40	26	NM6040001SC	38	61	RE0500711KP	14	42
GAK33027000	36	19	NM6050001SP	22	43	RE0600000K0	26	35
GAK33027000	40	19	NM6080001SE	36	12	RE0700000K0	36	25
GAK33028000	36	20	NM6080001SE	40	12	RE0700000K0	40	25
GAK33028000	40	20	NS6110310SP	28	20	RE0800000K0	12	26
GAK33035000	36	6	NS6110310SP	30	20	RE1200000K0	8	60
GAK33035000	40	6	NS6110310SP	32	25	RO074240100	14	41
GAK81007000	36	40	NS6110310SP	44	10	RO092270200	32	15
GAK81008000	36	41	NS6110350SP	28	28	SB120000200	6	13
GAK81009000	36	42	NS6110530SP	12	27	SD0470281SP	28	19
GAK88040000	36	38	NS6150310SP	10	29	SD0470281SP	30	19
GAK88040000	40	38	NS6150310SP	16	70	SD0640322TP	8	55
GAKA1401000	40	40	NS6150310SP	36	29	SD0720331SP	26	22
GAKA14030A0	40	42	NS6150310SP	40	29	SD0720331SP	36	37
GAKA16010A0	36	1	NS6150430SP	22	10	SD0720331SP	40	37
GAKA16010A0	40	1	NS6150430SP	26	29	SD0790361SP	36	33
GAKA16020A0	36	16	NS6620310SP	2	41	SD0790361SP	40	33
GAKA16020A0	40	16	NS6660430SP	16	74	SD0790601SP	16	56
GAKA16020B0	36	17	NS6680320SP	10	27	SD0800422CP	14	44
GAKA16020B0	40	17	NS6680320SP	16	69	SD0800481SP	12	37
GAKA16030A0	36	2	PA400200200	36	3	SD0900701TP	10	25
GAKA16030A0	40	2	PA400200200	40	3	SD0900701TP	14	43
GAKA1604000	36	4	PC012601000	38	53	SK3241601SC	48	27
GAKA1604000	40	4	PF0552100A0	38	56	SK3311600SE	48	32
GAKA1605000	36	5	PH0300062C0	18	31	SK3482500SC	42	56
GAKA1605000	40	5	PJ046059002	36	47	SK3513200SC	38	55
GAKA1606000	36	18	PJ301060504	38	48	SK3513200SC	48	34
GAKA1606000	40	18	PJ301065104	36	15	SL4030691SC	42	55
GAKA16070A0	36	34	PJ301065104	40	15	SL4041091SC	36	44

NUMERICAL INDEX OF PARTS

PART NO	PAGE	REF NO.	PART NO	PAGE	REF NO.	PART NO	PAGE	REF NO.
SL4041291SC	38	59	SS6120940SP	24	50	SS7151210SP	26	27
SM3031401SE	48	23	SS6121010SP	22	42	SS7151610SP	22	40
SM4032501SB	42	54	SS6121030SP	32	17	SS7620750SP	26	5
SM4040601SC	52	21	SS6121050SP	16	63	SS7621040SP	4	53
SM4061001SB	2	46	SS6121210TP	40	10	SS7621040SP	12	25
SM4061001SB	42	53	SS6121212TP	36	23	SS7621040SP	26	6
SM6020450TP	22	46	SS6121212TP	40	23	SS7621040SP	32	16
SM6040552TP	46	19	SS6121610TP	10	32	SS7681750TP	6	56
SM6040802TP	18	23	SS6121610TP	16	61	SS7681750TP	8	56
SM6061602TP	16	53	SS6151040SP	22	41	SS8080410TP	46	28
SM6061602TP	18	21	SS6151220SP	22	3	SS8090410SP	8	57
SM6081802TP	36	13	SS6661110SP	8	49	SS8110410TP	22	52
SM6081802TP	40	13	SS6661110SP	16	64	SS8110410TP	24	52
SM8040402TP	22	47	SS7080510TP	10	42	SS8110422TP	32	7
SM8040402TP	46	33	SS7080520SP	2	13	SS8110510SP	24	48
SM8050502TP	16	68	SS7090520SP	2	43	SS8110520TP	24	49
SM8050502TP	36	11	SS7090530SP	36	36	SS8111010TP	22	12
SM8050502TP	40	11	SS7090530SP	40	36	SS8111610SP	32	19
SM8060802TP	8	61	SS7090530SP	46	12	SS8150310SP	12	16
SM8061002TP	6	22	SS7091110TP	12	39	SS8150510TP	8	62
SM9061850SC	36	43	SS7091110TP	46	21	SS8150710SP	18	24
SS1092810SP	20	29	SS7110410SP	46	17	SS8150710TP	18	28
SS2090520SL	2	37	SS7110510SP	12	23	SS8150760TP	6	31
SS2110920TP	22	13	SS7110510SP	16	66	SS8150822TP	6	30
SS3090610SP	2	38	SS7110510SP	28	22	SS8150912TH	6	29
SS3090710TP	28	21	SS7110510SP	48	8	SS8150920SP	10	37
SS3090710TP	30	18	SS7110710SP	2	34	SS8151150SP	16	57
SS4110815SP	16	62	SS7110710SP	16	65	SS8151150SP	18	8
SS5110810SP	46	10	SS7110710SP	26	28	SS8151230SP	8	58
SS6090620SP	2	14	SS7110710SP	28	26	SS8151230SP	12	12
SS6090620SP	32	21	SS7110710SP	30	23	SS8151550SP	6	10
SS6090620SP	46	11	SS7110710SP	44	8	SS8152030SP	22	6
SS6090630SP	16	48	SS7110710SP	50	6	SS8660530TP	18	25
SS6091210TP	34	2	SS7110720SP	10	38	SS8660610TP	6	33
SS6092120SP	10	33	SS7110840SP	12	24	SS8660610TP	14	40
SS6110480SP	22	44	SS7110910SP	2	50	SS8660810TP	16	73
SS6110480SP	36	27	SS7110910SP	4	50	SS8660810TP	18	9
SS6110480SP	40	27	SS7110910SP	10	40	SS8661012TP	22	39
SS6110520TP	10	30	SS7110910SP	16	59	SS8661030SP	6	14
SS6110610TP	48	9	SS7111140SP	44	9	SS8661040TP	16	72
SS6110710SP	16	60	SS7111310SP	12	40	SS8680540SP	6	27
SS6111010SP	22	11	SS7111310TP	10	34	SS8680730SP	6	28
SS6111140SP	2	31	SS7111310TP	16	67	SS8681650TP	6	26
SS6111140SP	28	27	SS7120760SP	6	24	SS8681950SP	8	59
SS6111140SP	50	5	SS7121410SP	26	24	SS9111010SP	2	32

NUMERICAL INDEX OF PARTS

PART NO	PAGE	REF NO.
SS9111010SP	26	26
SS9151160CP	36	28
SS9151160CP	40	28
SS9151440CP	14	12
TA1250406R0	2	49
TA1250406R0	4	49
TA1250504R0	2	28
TA1270502R0	2	26
TA2100904R0	2	22
TA2351004R0	2	48
TA2351004R0	4	48
WP0320501SC	48	26
WP0370316SD	12	41
WP0371016SD	34	3
WP0371026SD	10	26
WP0430800SC	52	23
WP0430801SC	38	60
WP0482086SD	12	20
WP0501016SD	22	33
WP0501016SD	26	33
WP0621016SD	14	13
WP0621016SD	26	30
WP0650876SD	10	24
WP0651056SD	16	54
WP0651056SD	18	22
WP0753016SZ	22	9
WP1021016SD	36	24
WP1021016SD	40	24
WS0310002KR	28	23
WS0410002KN	52	22
WS0631510KP	26	31
WT0530002KS	50	7