

MODEL : V060  
List No : 1189-00

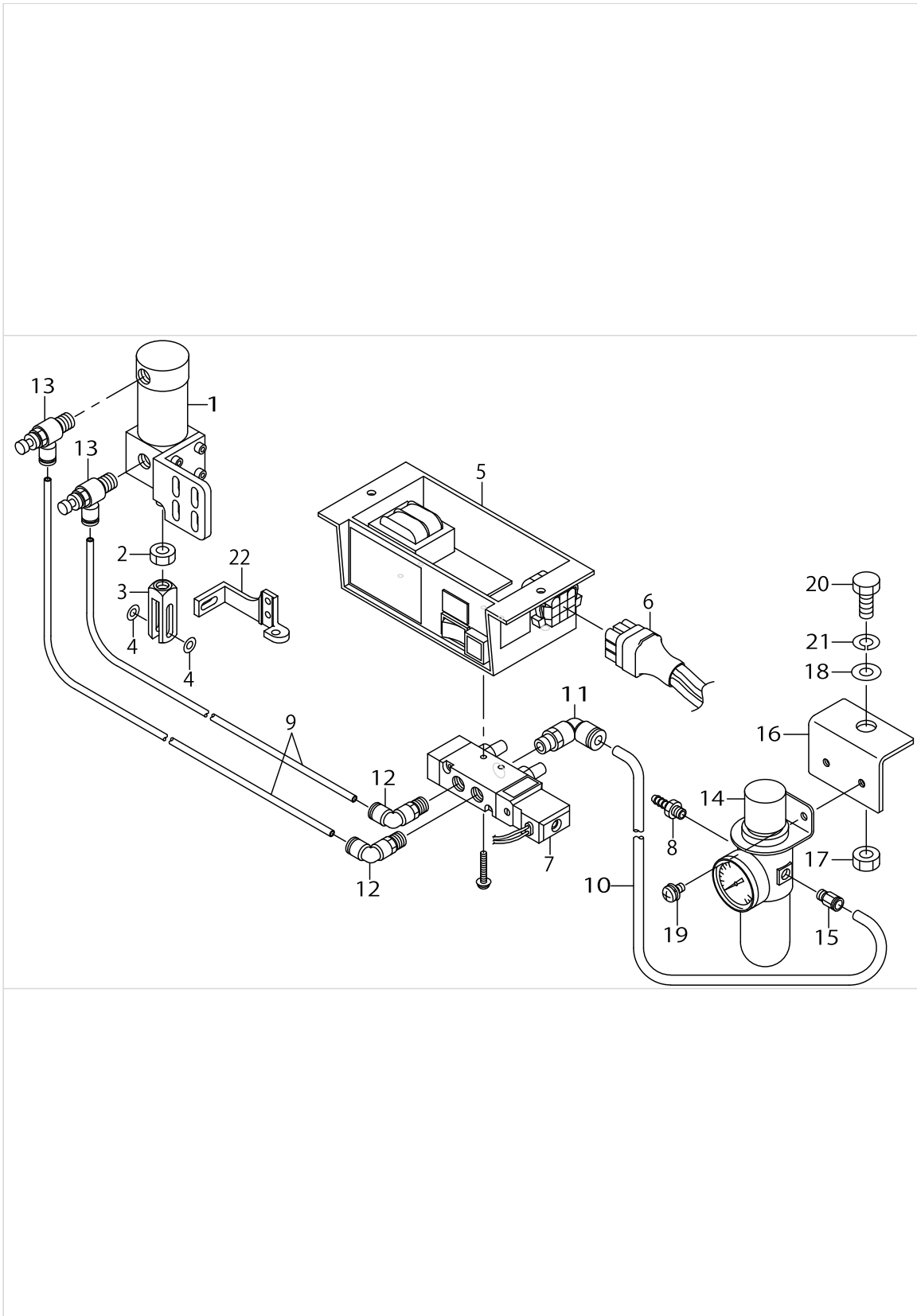
# PARTS LIST

Published:09/10/2017

## CONTENTS

---

V060.....	1
HOW TO MAKE USE OF THIS PARTS LIST .....	3



## V060

No.	Parts No.	Parts name	Remarks	Level	Cons	Qty
1	MAUAPS00200	LIFTER CYLINDER				1
2	MAUAPS00201	KNUCKLE STOPPER NUT				1
3	MAUAPS00202	LIFTER CYLINDER KNUCKLE				1
4	MAUAPS00203	WASHER				2
5	MAUAPS00204	CONTROL BOX				1
6	MAUAPS00205	CONNECTING CORD				1
7	MAUAPS00206	SOLENOID VALVE				1
8	F1021003000	HOSE JOINT				1
9	BT0400251EB	URETHANE HOSE, BLACK				3.5
10	BT0600401EB	TUBE				1
11	PJ304065101	ELBOW UNION 6XPT1/8				1
12	PJ304045102	ELBOW UNION, C				2
13	PC015108000	SPEED CONTROLLER				2
14	PF0252040A0	FILTER REGULATOR ASM.				1
15	PJ301065201	HALF UNION 6XPT1/4				1
16	GAT36016000	REGULATOR BRACKET				1
17	NM6080721SE	NUT M8				1
18	WP0871602SE	WASHER 8.7X18X1.6				1
19	SL4051091SC	SCREW M5X0.8 L=10				2
20	SM9082023SE	SCREW M8 L=20				1
21	WS0861410KR	SPRING WASHER 8.6X15X1.4				1

## HOW TO MAKE USE OF THIS PARTS LIST

1.As to "#01" and "#02" refer to the "Note" given at the bottom of the respective pages.

2.Codes on the "Qty" column

- Each numeral indicates the number of parts required.
- "0.1" and "2.5" indicate the length (in meters) of the respective parts.

3.Parentheses mean that the corresponding part is a subpart that constructs an assembly part.

4.Dotted lines on the Figures indicate assembly parts.

1. リストページの# 0 1、# 0 2の印は、ページ下の"注記"の説明を参照下さい。
2. 数量欄の数字は、個数を表し、0. 1、2. 5等の数値は、長さ（単位メートル）を表します。
3. 数量欄の（ ）は、組部品を構成している子部品であることを意味します。
4. イラストページの-----枠は、組構成であることを意味します。

## NUMERICAL INDEX OF PARTS

PART NO	PAGE	REF NO.
BT0400251EB	2	9
BT0600401EB	2	10
F1021003000	2	8
GAT36016000	2	16
MAUAPS00200	2	1
MAUAPS00201	2	2
MAUAPS00202	2	3
MAUAPS00203	2	4
MAUAPS00204	2	5
MAUAPS00205	2	6
MAUAPS00206	2	7
NM6080721SE	2	17
PC015108000	2	13
PF0252040A0	2	14
PJ301065201	2	15
PJ304045102	2	12
PJ304065101	2	11
SL4051091SC	2	19
SM9082023SE	2	20
WP0871602SE	2	18
WS0861410KR	2	21