

MODEL : PLC-1665

List No : 1182-04

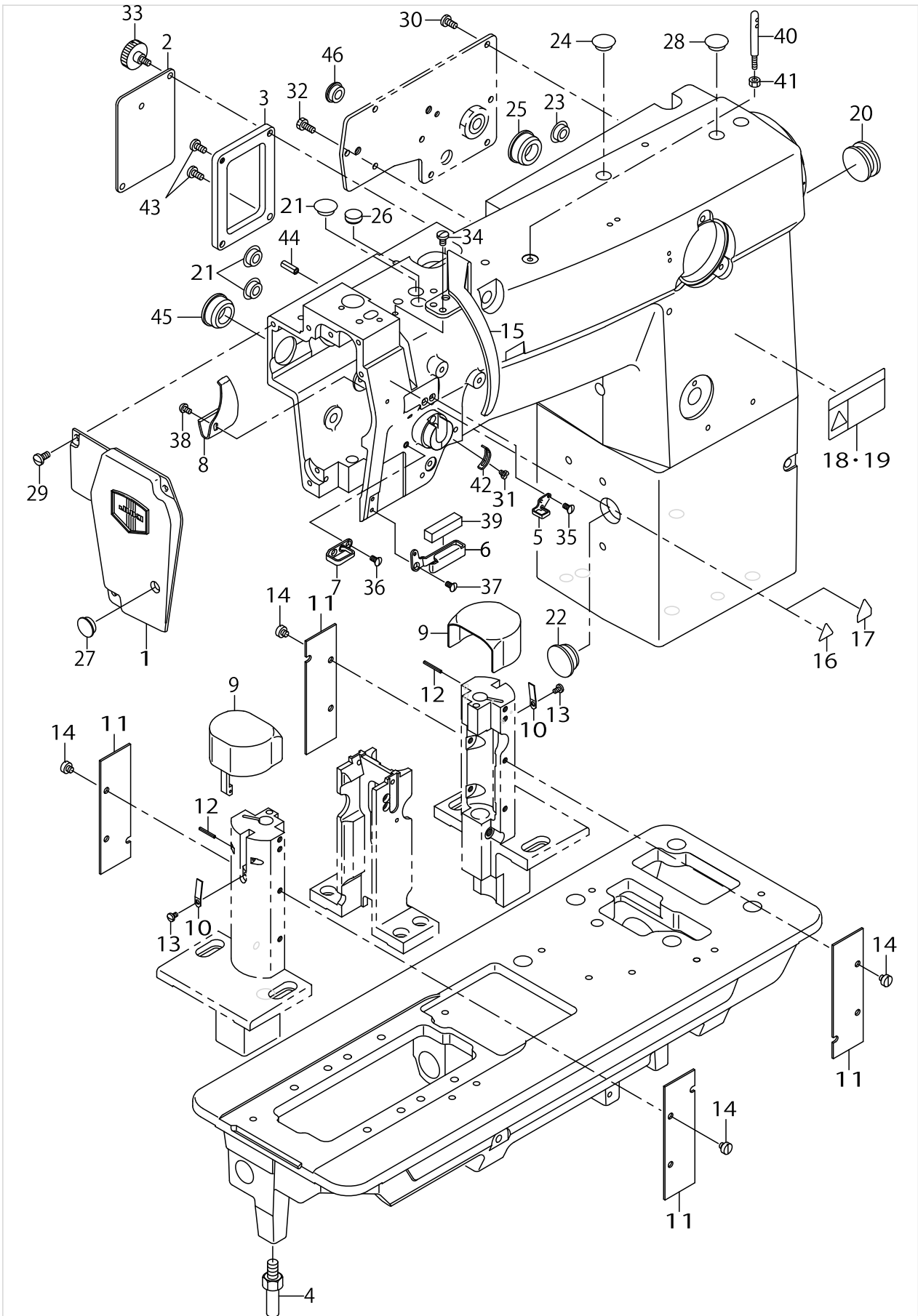
PARTS LIST

Published:09/10/2017

CONTENTS

FRAME & MISCELLANEOUS COVER COMPONENTS	1
MAIN SHAFT,HOOK DRIVING SHAFT DELIVERY & THREAD TAKE-UP LEVER COMPONENTS.....	3
ORGANIZE SPLIT NEEDLE BAR COMPONENTS.....	7
REPOSITIONING ARM & THREAD POST COMPONENTS	11
NEEDLE BAR ROCKING COMPONENTS	15
PRESSURE ADJUSTING & UPPER FEED MECHANISM COMPONENTS.....	17
FEED MECHANISM COMPONENTS.....	19
HOOK SHAFT & HOOK DRIVING SHAFT COMPONENTS.....	23
PRESSER LIFTING SOLENOID COMPONENTS(FOR AK-116A).....	25
PRESSER LIFTING SOLENOID COMPONENTS(FOR AK-116B).....	29
HOOK COMPONENTS.....	33
LOWER THREAD WINDER MECHANISM COMPONENTS	35
LUBRICATION COMPONENTS	37
GAUGE COMPONENTS(STANDARD PARTS).....	39
TABLE AND STAND & BELT COVER COMPONENTS.....	41
ACCESSORIES PARTS COMPONENTS	43
LIST FOR INFORMATION OF CHANGE.....	45
HOW TO MAKE USE OF THIS PARTS LIST	46

FRAME & MISCELLANEOUS COVER COMPONENTS



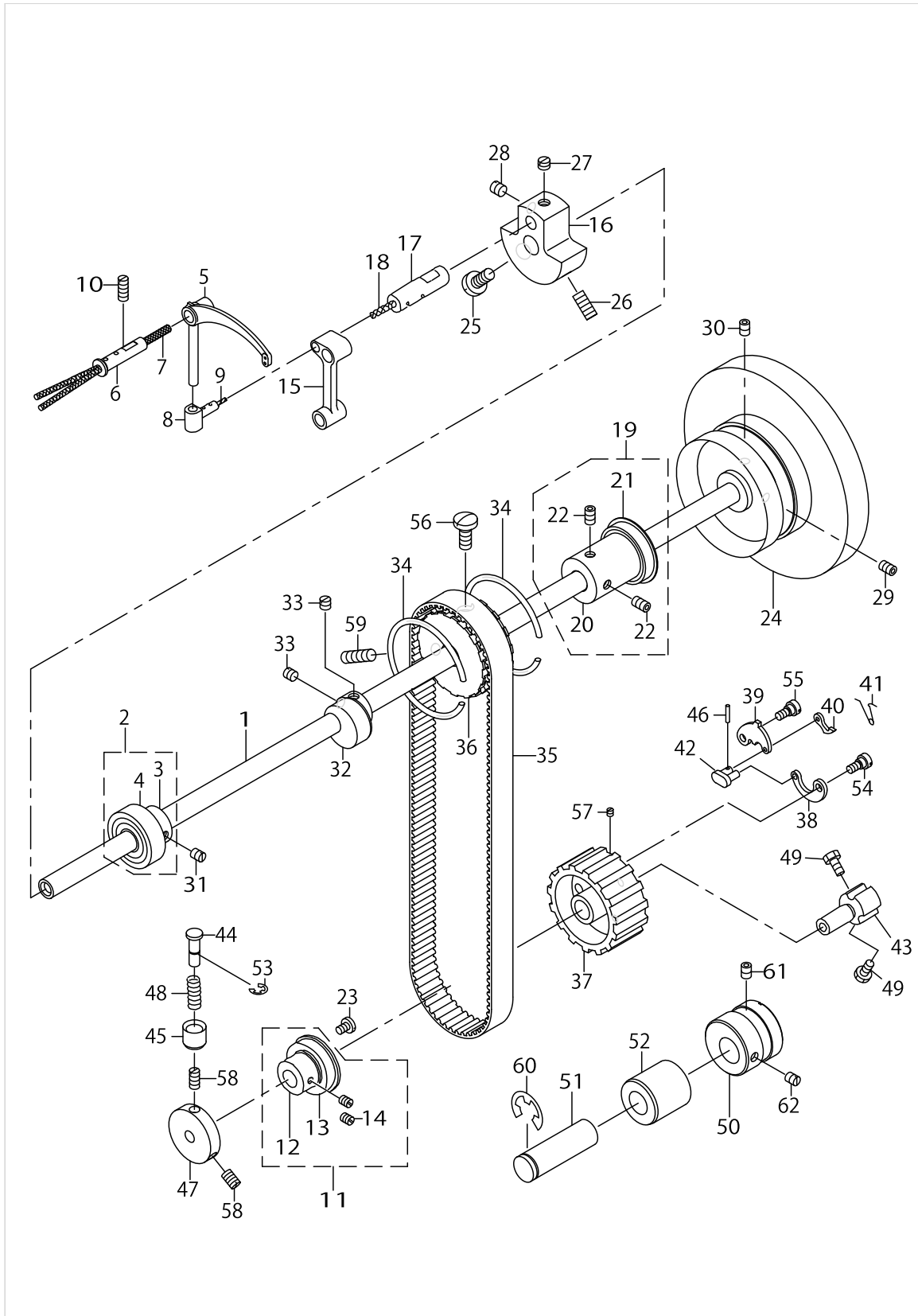
FRAME & MISCELLANEOUS COVER COMPONENTS

No.	Parts No.	Parts name	Remarks	Level	Cons	Qty
1	10301950	FACE PLATE ASM.				1
2	B1150141H0AA	TOP COVER				1
3	23007404	SIDE PLATE SPACER				1
4	22602601	BED SCREW STUD				4
5	B1129521000	THREAD GUIDE, UPPER				1
6	10774008	FELT THREAD GUIDE				1
7	B1129051000	FRAME THREAD GUIDE, UPPER				1
8	B1140526000	TAKE-UP OIL SPLASHER				1
9	23000656	HOOK COVER ASM.				2
10	23000805	HOOK COVER SPRING				2
11	23000904	HOOK SHAFT SADDLE COVER				4
12	PS0200182KR	SPRING PIN 2X18				2
13	SS7080520SP	SCREW 1/8-44 L=4.9				2
14	SS6110480SP	SCREW 11/64-40 L=4.3				8
15	10439008	THREAD TAKE-UP LEVER COVER(JE)				1
16	CM3002000B1	LABEL(16)	FOR USE IN JAPAN			1
17	CM300200001	ATTENTION SEAL	FOR JE			1
18	CM300200101	SAFETY LABEL, 1(SMALL).	FOR USE IN JAPAN			1
19	CM3002001A1	SAFETY LABEL..3 (SMALL).	FOR EXPORT			1
20	10201200	RUBBER PLUG				1
21	TA1250504R0	RUBBER PLUG				3
22	TA2100904R0	RUBBER PLUG				1
23	TA1250504R0	RUBBER PLUG				1
24	TA1250504R0	RUBBER PLUG				1
25	TA2351004R0	RUBBER PLUG				1
26	TA1270502R0	RUBBER PLUG				1
27	TA1250406R0	RUBBER PLUG D=12.5 L=4				1
28	TA1250504R0	RUBBER PLUG				1
29	SS7110910SP	SCREW 11/64-40 L=8.5				3
30	SS7110910SP	SCREW 11/64-40 L=8.5				5
31	SS7090520SP	SCREW 9/64-40 L= 4.5				1
32	SS9111010SP	SCREW 11/64-40 L=9.5				1
33	MAT80110L00	CLAMP SCREW				1
34	SS7110710SP	SCREW 11/64-40 L=7				1
35	SS2090710SP	SCREW 9/64-40 L=7				2
36	SS2090710SP	SCREW 9/64-40 L=7				2
37	SS2090710SP	SCREW 9/64-40 L=7				1
38	SS3090610SP	SCREW 9/64-40 L=6				1
39	22603708	FELT				1
40	B1114517000	NEEDLE THREAD GUIDE PIN				1
41	NS6620310SP	NUT 3/16-32				1
42	B3138512000	TAKE-UP SPRING ADJUSTING PLATE				1
43	SS7110910SP	SCREW 11/64-40 L=8.5				2
44	PS0500142KP	SPRING PIN				1
45	TA2351004R0	RUBBER PLUG				1
46	TA1250406R0	RUBBER PLUG D=12.5 L=4				1

MAIN SHAFT,HOOK DRIVING SHAFT DELIVERY & THREAD TAKE-UP LEVER COMPONENTS

No.	Parts No.	Parts name	Remarks	Level	Cons	Qty
1	10305001	MAIN SHAFT				1
2	10305159	MAIN SHAFT BUSHING, FRONT				1
3	10305100	MAIN SHAFT BUSHING, FRONT		*		1
4	B1202512000	MAIN SHAFT BUSHING, FRONT		*		1
5	23010101	TAKE-UP LEVER				1
6	B1906526000	TAKE-UP LEVER				1
7	CQ252000000	OIL WICK				0.1
8	B1907526000	TAKE-UP LEVER THRUST PIN				1
9	CQ202000000	OIL WICK				0.02
10	SS8151550SP	SCREW 15/64-28 L=15				1
11	22611651	THRUST COLLAR ASM., B				1
12	22611602	THRUST COLLAR, B		*		1
13	SB120000200	BEARING 20X42		*		1
14	SS8661030SP	SCREW 1/4-40 L=10		*		2
15	B1408526000	NEEDLE BAR CRANK ROD				1
16	B1206051000	COUNTERWEIGHT				1
17	B1210526000	NEEDLE BAR CRANK PIN				1
18	CQ303000000	OIL WICK				0.06
19	23008055	MAIN SHAFT THRUST COLLAR ASM.				1
20	23008006	MAIN SHAFT THRUST COLLAR		*		1
21	B1203512000	BUSHING, REAR		*		1
22	SM8061002TP	SCREW M6 L=10		*		2
23	SS7120760SP	SCREW 3/16-28 L= 7.0				2
24	23001209	HAND WHEEL				1
25	SS7681750TP	SCREW 9/32-28 L=16.5				1
26	SS8681650TP	SCREW 9/32-28 L=16				1
27	SS8680540SP	SCREW 9/32-28 L= 4.5				1
28	SS8680730SP	SCREW 9/32-28 L=7				1
29	SS8150912TH	SCREW 15/64-28 L=9				1
30	SS8150822TP	SCREW 15/64-28 L=8				1
31	SS8150760TP	SCREW 15/64-28 L=7.0				1
32	B1450057000	ADJUSTING FEED ECCENTRIC				1
33	SS8660610TP	SCREW 1/4-40 L=6				2
34	B1214019000	SPROCKET RING				2
35	23001308	TIMING BELT				1
36	23001407	UPPER SPROCKET				1
37	23001506	SPROCKET WHEEL				1
38	B1305055000A	SAFETY CLUTCH SPRING				1
39	B1307055000	SAFETY CLUTCH HOOK				1
40	B1308055000	SAFETY CLUTCH COUNTER-HOOK				1
41	B1309055000	COUNTER-HOOK SPRING				1
42	B1310055000	SAFETY CLUTCH SMALL LINK				1
43	10503605	SAFETY BASE				1
44	23001605	SAFETY CLUTCH				1
45	B1313055000	SAFETY CLUTCH KNOB SLEEVE				1
46	B1314055000	SAFETY CLUTCH SMALL LINK PIN				1
47	23001704	SAFETY CLUTCH DISK				1

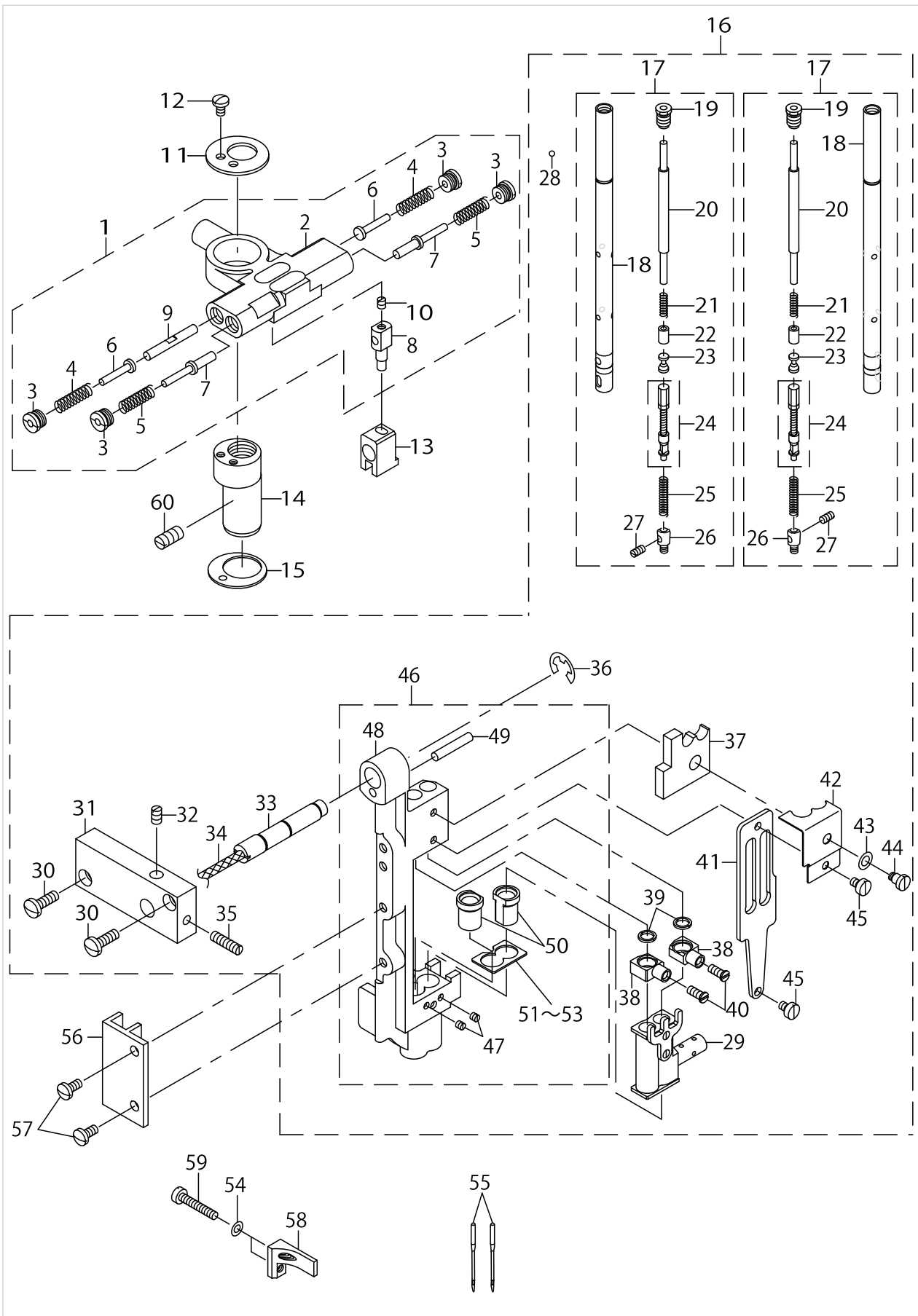
MAIN SHAFT, HOOK DRIVING SHAFT DELIVERY & THREAD TAKE-UP LEVER COMPONENTS



MAIN SHAFT,HOOK DRIVING SHAFT DELIVERY & THREAD TAKE-UP LEVER COMPONENTS

No.	Parts No.	Parts name	Remarks	Level	Cons	Qty
48	B1639051000	SPRING				1
49	SS6661110SP	SCREW 1/4-40 L=11				2
50	23001803	IDLER BUSH				1
51	23001902	IDLER SHAFT				1
52	22603906	UPPER SHAFT INNER METAL				1
53	RE0500000K0	E-RING				1
54	SD0640322TP	HINGE SCREW D= 6.35 H= 3.2				1
55	SD0640322TP	HINGE SCREW D= 6.35 H= 3.2				1
56	SS7681750TP	SCREW 9/32-28 L=16.5				1
57	SS8090410SP	SCREW 9/64-40 L= 3.5				1
58	SS8151230SP	SCREW 15/64-28 L=12				2
59	SS8681950SP	SCREW 9/32-28 L=19				1
60	RE1200000K0	E-RING 12				1
61	SM8060802TP	SCREW M6 L=8				1
62	SS8150510TP	SCREW 15/64-28 L= 4.7				1

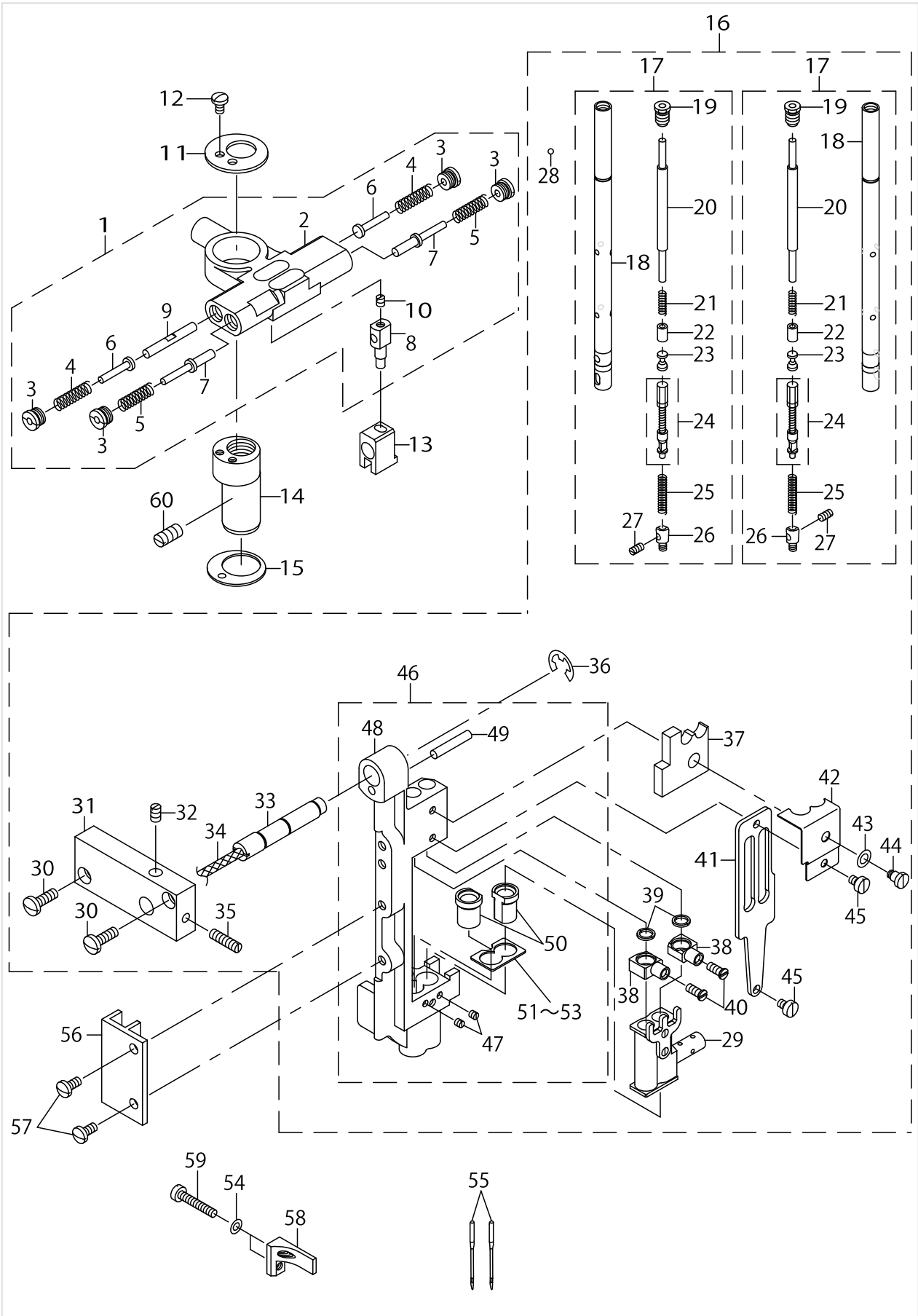
ORGANIZE SPLIT NEEDLE BAR COMPONENTS



ORGANIZE SPLIT NEEDLE BAR COMPONENTS

No.	Parts No.	Parts name	Remarks	Level	Cons	Qty
1	B14345280A0	REPOSITIONING BASE ASM.				1
2	B1434528000	REPOSITIONING BASE		*		1
3	B1438526000	PLUG SCREW		*		4
4	B143752600A	SPRING L=21.7		*		2
5	B1437526000	SPRING L=19.3		*		2
6	B1435526000	GUIDE STUD		*		2
7	B1436526000	DRIVING GUIDE STUD		*		2
8	B1431526000	SLIDE PIN		*		1
9	B1455526000	SLIDE BLOCK STUD		*		1
10	SS8090410TP	SCREW 9/64-40 L=3.9		*		1
11	B1439528000	COVER PLATE				1
12	SS7090620TP	SCREW 9/64-40 L=6.1				2
13	B1427526000	DRIVING BRACKET				1
14	B1431528000	REPOSITIONING BASE SHAFT				1
15	B1432528000	WASHER				1
16	23010275	NEEDLE BAR FRAME ASM.				1
17	B14015260A0	NEEDLE BAR ASM.		*		2
18	B1401526000	NEEDLE BAR		*		2
19	B1404526000	PLUG SCREW		*		2
20	B1405526000	PRESS BAR		*		2
21	B1406526000	SPRING		*		2
22	B1407526000	PRESS BAR SLEEVE		*		2
23	B1409526000	BALL SLIDE STUD		*		2
24	B14125260A0	ADJUSTING SLIDE STUD ASM.		*		2
25	B1415526000	SPRING		*		2
26	B1416526000	COLLAR		*		2
27	B1425526000	SCREW 1/8-44 L=6		*		2
28	B1410526000	BALL		*		12
29	B14205260A0	NEEDLE BAR BRACKET ASM.		*		1
30	SS7111310TP	SCREW 11/64-40 L=12.8		*		2
31	23010309	NEEDLE BAR FRAME SHAFT BASE		*		1
32	SS8110750SP	SCREW 11/64-40 L= 6.5		*		1
33	B14295260A0	NEEDLE BAR FRAME SHAFT ASM.		*		1
34	CQ252000000	OIL WICK		*		0.1
35	SS8111010TP	SCREW 11/64-40 L=9.5		*		1
36	RE0700000K0	E-RING 7		*		1
37	B1451526000	OIL FELT		*		1
38	B1418526000	NEEDLE BAR FIXED PIN		*		2
39	B1417526000	HALF RING		*		4
40	B1419526000	SCREW		*		2
41	B1423526000	NEEDLE BAR GUIDE PLATE		*		1
42	B1450526000	OIL FELT PRESSER		*		1
43	WP0480856SP	WASHER 4.8X8.4X0.8		*		1
44	SD0450401SP	HINGE SCREW D= 4.5 H= 4		*		1
45	SS6090540SP	SCREW 9/64-40 L= 5.0		*		2
46	23010267	NEEDLE BAR FRAME ASM.		*		1
47	SS8080310SP	SCREW 1/8-44 L= 2.8		*		2

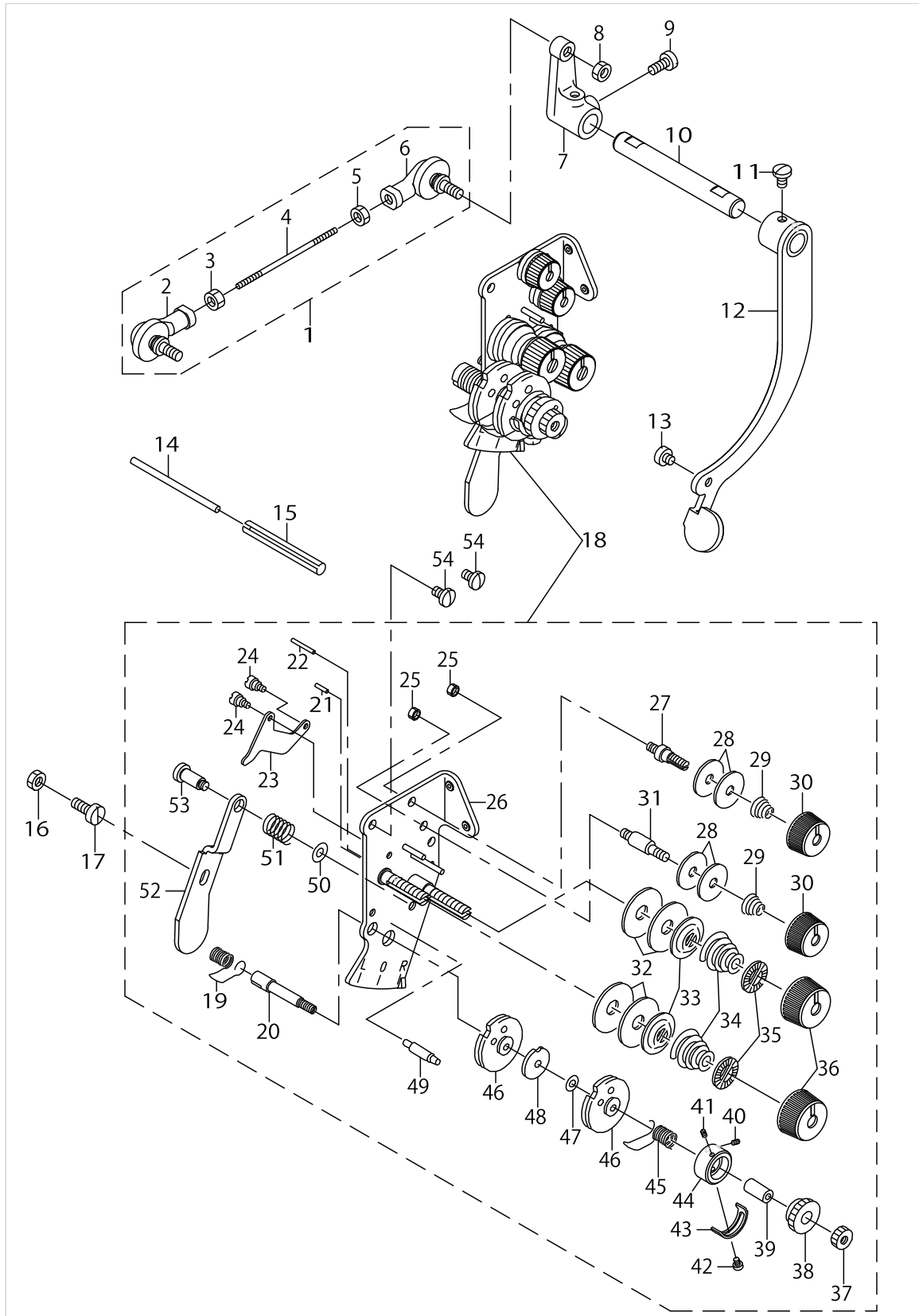
ORGANIZE SPLIT NEEDLE BAR COMPONENTS



ORGANIZE SPLIT NEEDLE BAR COMPONENTS

No.	Parts No.	Parts name	Remarks	Level	Cons	Qty
48	23010259	NEEDLE BAR FRAME BASE COMPL.		*		1
49	PS0400222K0	SPRING PIN		*		1
50	B1510526000A	NEEDLE BAR LOWER BUSHING		*		1
51	B145352600B	THRUST PLATE T=0.6		*		1
52	B145352600A	THRUST PLATE A	SELECTIVE PARTS	*		1
53	B145352600C	THRUST PLATE C	SELECTIVE PARTS	*		1
54	WP0371026SD	WASHER 3.7X7X1				2
55	MC321001400	NEEDLE 134-35 #140				2
56	23010507	UPPER FEED BAR GUIDE				1
57	SS7110910SP	SCREW 11/64-40 L=8.5				2
58	23004104	FEED LEVER SUPPORT				1
59	SS6092120SP	SCREW 9/64-40 L=21.2				2
60	SS8151230SP	SCREW 15/64-28 L=12				1

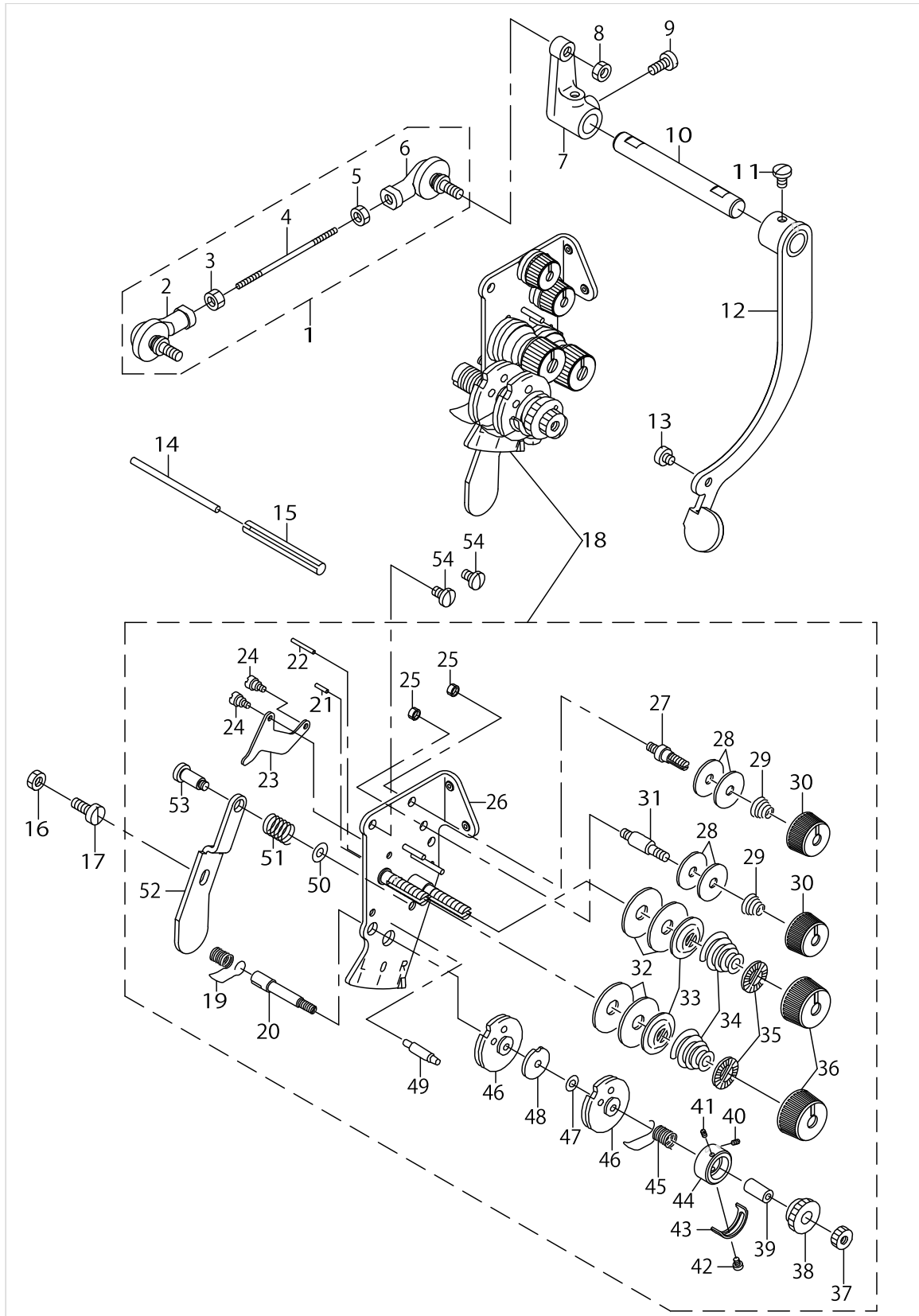
REPOSITIONING ARM & THREAD POST COMPONENTS



REPOSITIONING ARM & THREAD POST COMPONENTS

No.	Parts No.	Parts name	Remarks	Level	Cons	Qty
1	B14405260A0	BALL JOINT ASM.				1
2	B1440526000	BALL JOINT, LEFT		*		1
3	NM6050550SD	NUT M5X0.8		*		1
4	B1441526000	ADJUSTING SHAFT ROD		*		1
5	NM6050001SP	NUT M5		*		1
6	B1442526000	BALL JOINT, RIGHT		*		1
7	B144352600A	NEEDLE STOP SHIFTING ARM				1
8	NM6050001SP	NUT M5				1
9	SS6111010SP	SCREW 11/64-40 L= 9.5				1
10	B1447526000	REPOSITIONING LEVER SHAFT				1
11	SS7110740TP	SCREW 11/64-40 L=7				1
12	B14455260AA	CHANGING LEVER ASM.				1
13	SS6110430TP	SCREW 11/64-40 L= 4.0				1
14	23006406	TENSION RELEASE BAR				1
15	PS0600562KP	SPRING PIN				1
16	NS6620310SP	NUT 3/16-32				1
17	SS6621210SP	SCREW 3/16-32 L=12				1
18	23022452	THREAD TENSION ASM.				1
19	B3128051000	THREAD TAKE-UP SPRING, A		*		1
20	10124501	THREAD TAKE-UP SPRING STUD		*		1
21	B3127051000	TENSION RELEASE PIN, SHORT		*		1
22	B3127527000	PIN B		*		1
23	B3134521000	TENSION RELEASE LEVER		*		1
24	SD0470281SP	HINGE SCREW D=4.7 H=2.8		*		2
25	NS6110310SP	NUT 11/64-40		*		1
26	10215051	TENSION BASE PLATE ASM.		*		1
27	10124204	THREAD TENSION POST, A		*		1
28	B3214047000	BOBBIN WINDER TENSION DISC		*		4
29	D3168555H0B	TENSION SPRING NO.1		*		2
30	11072402	THREAD TENSION NUT		*		2
31	10124303	THREAD TENSION POST, B		*		1
32	B3126051000	TENSION DISC		*		4
33	B3132051000	TENSION DISC HOLDER		*		2
34	B3129053000	TENSION SPRING		*		2
35	B3120125000	ROTATING STOPPER		*		2
36	11072204	TENSION NUT		*		2
37	B3125012000	THREAD TENSION NUT		*		1
38	B3125527000	TAKE-UP SPRING GUIDE		*		1
39	B3141527000	PRESSER COLLAR		*		1
40	22618904	SET SCREW		*		1
41	22618904	SET SCREW		*		1
42	SS7090520SP	SCREW 9/64-40 L= 4.5		*		1
43	B3138527000	ADJUSTING PLATE B		*		1
44	22617609	THREAD TENSION POST		*		1
45	B3128527000	THREAD TAKE-UP SPRING B		*		1
46	B31375270A0	TAKE-UP SPRING GUIDE ASM.		*		2
47	B3139527000	COLLAR		*		1

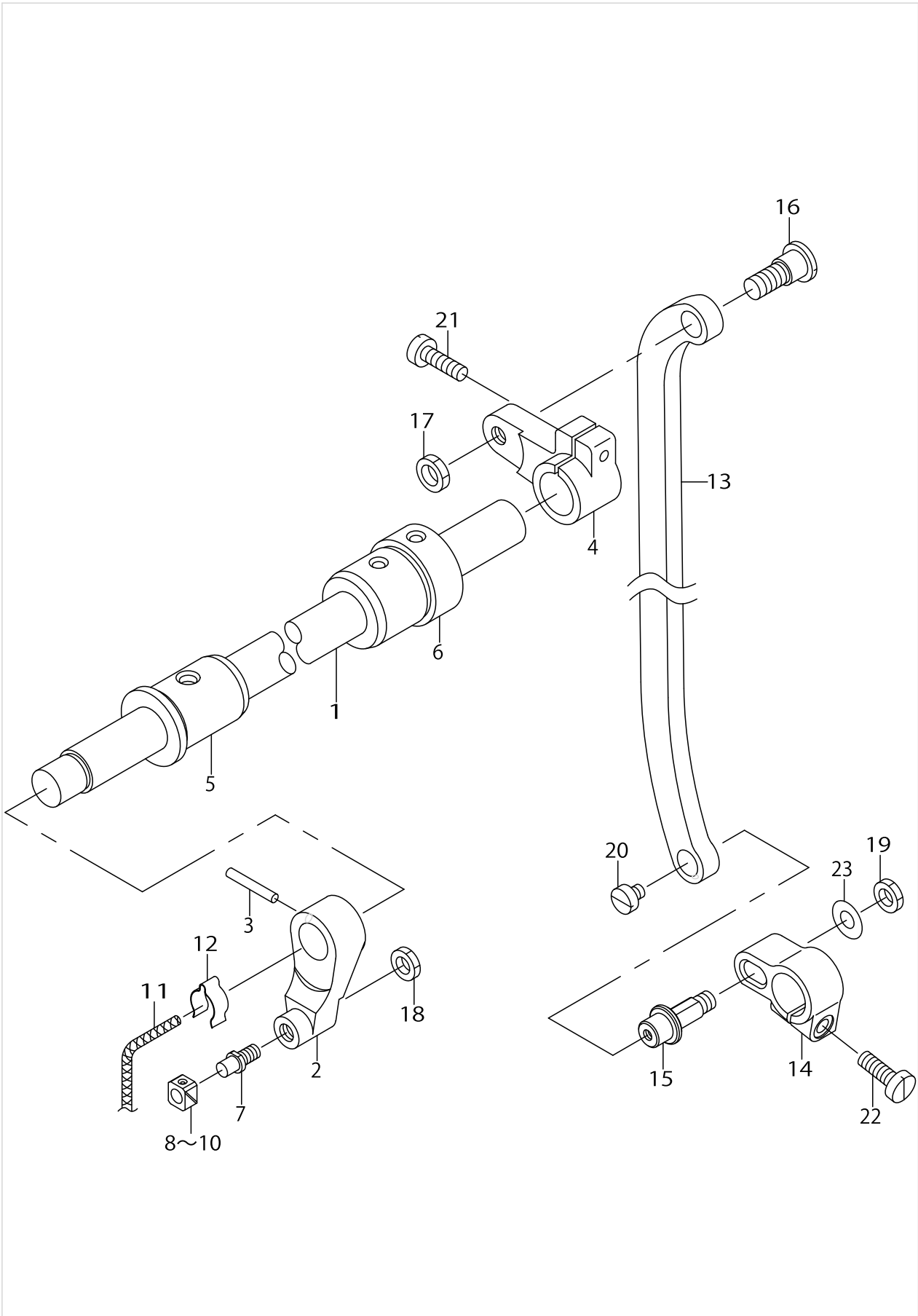
REPOSITIONING ARM & THREAD POST COMPONENTS



REPOSITIONING ARM & THREAD POST COMPONENTS

No.	Parts No.	Parts name	Remarks	Level	Cons	Qty
48	B3142527000	TAKE-UP SPRING GUIDE PLATE		*		1
49	B3143527000	TAKE-UP SPRING GUIDE STUD		*		1
50	WP0450801SP	WASHER		*		1
51	B1449526000	REPOSITIONING LEVER SPRING		*		1
52	B1448526000	REPOSITIONING LEVER		*		1
53	SD0601171SP	HINGE SCREW D= 6 H=11.7		*		1
54	SS7110710SP	SCREW 11/64-40 L=7				2

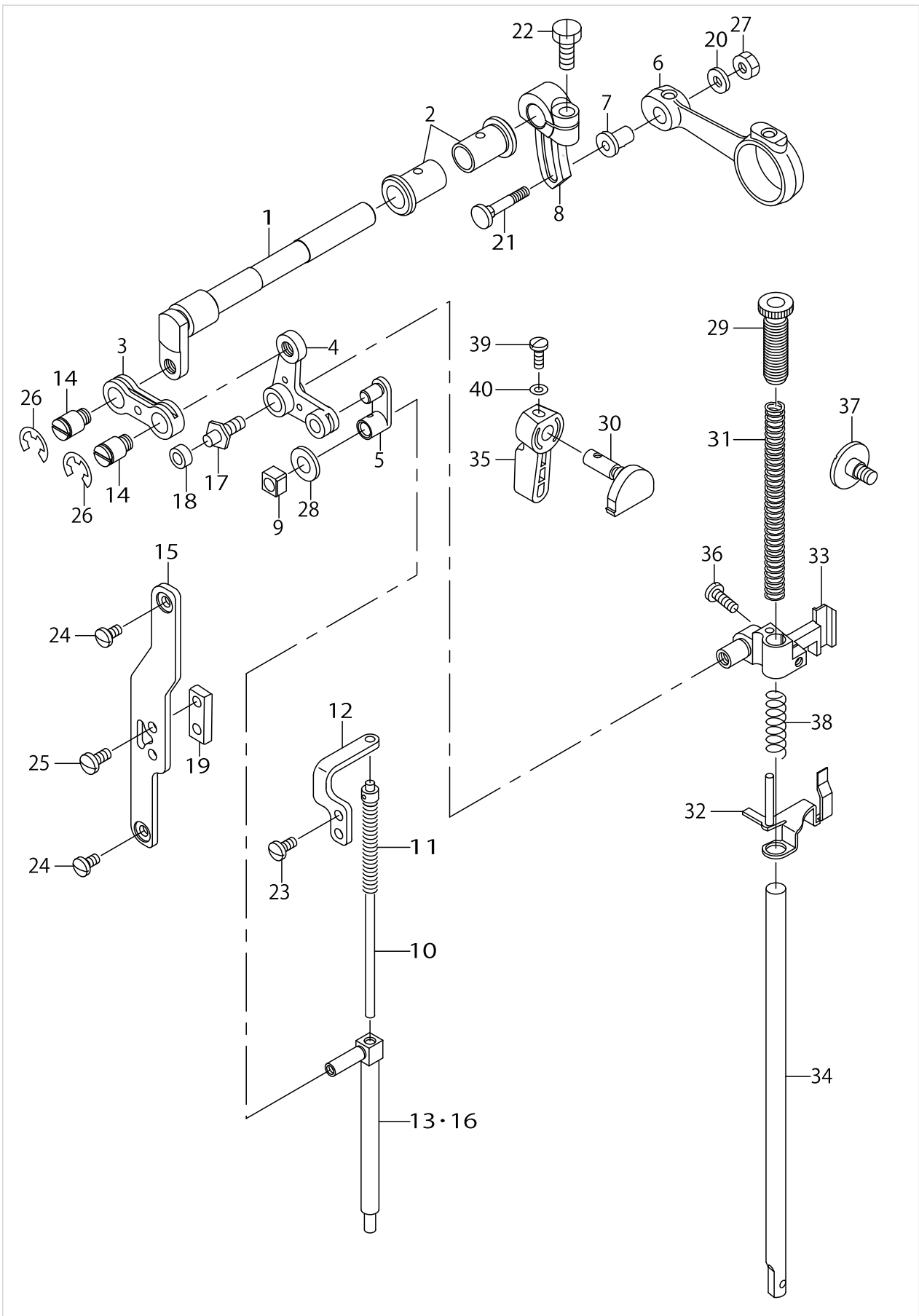
NEEDLE BAR ROCKING COMPONENTS



NEEDLE BAR ROCKING COMPONENTS

No.	Parts No.	Parts name	Remarks	Level	Cons	Qty
1	10204709	NEEDLE BAR FRAME ROCK SHAFT				1
2	23010408	ROCK SHAFT FRONT CRANK				1
3	PT0302000S0	TAPERED PIN 3.0X20				1
4	23008303	OCK SHAFT REAR CRANK				1
5	23002306	ROCK SHAFT FRONT BUSHING				1
6	23002405	ROCK SHAFT REAR BUSHING				1
7	B1410771000	STUD				1
8	B1414232000	SQUARE BLOCK	SELECTIVE PARTS			1
9	B141423200A	CRANK SLIDE BLOCK	SELECTIVE PARTS			1
10	B141423200B	GUIDE ROLLER	SELECTIVE PARTS			1
11	CQ202000000	OIL WICK				0.12
12	B1437051000	OIL WICK RETAINER				1
13	23002504	NEEDLE BAR FRAME ROD				1
14	23002603	ROCK SHAFT CRANK				1
15	23002702	CONNECTING STUD				1
16	SD0900701TP	HINGE SCREW D= 9 H= 7				1
17	NS6680320SP	NUT 9/32-28				1
18	NS6150310SP	NUT 15/64-28				1
19	NS6150310SP	NUT 15/64-28				1
20	SS6110520TP	SCREW 11/64-40 L=4.5				1
21	SS6121610TP	SCREW 3/16-28 L=15.5				1
22	SS6121610TP	SCREW 3/16-28 L=15.5				1
23	WP0650876SD	WASHER 6.5X13X0.8				1

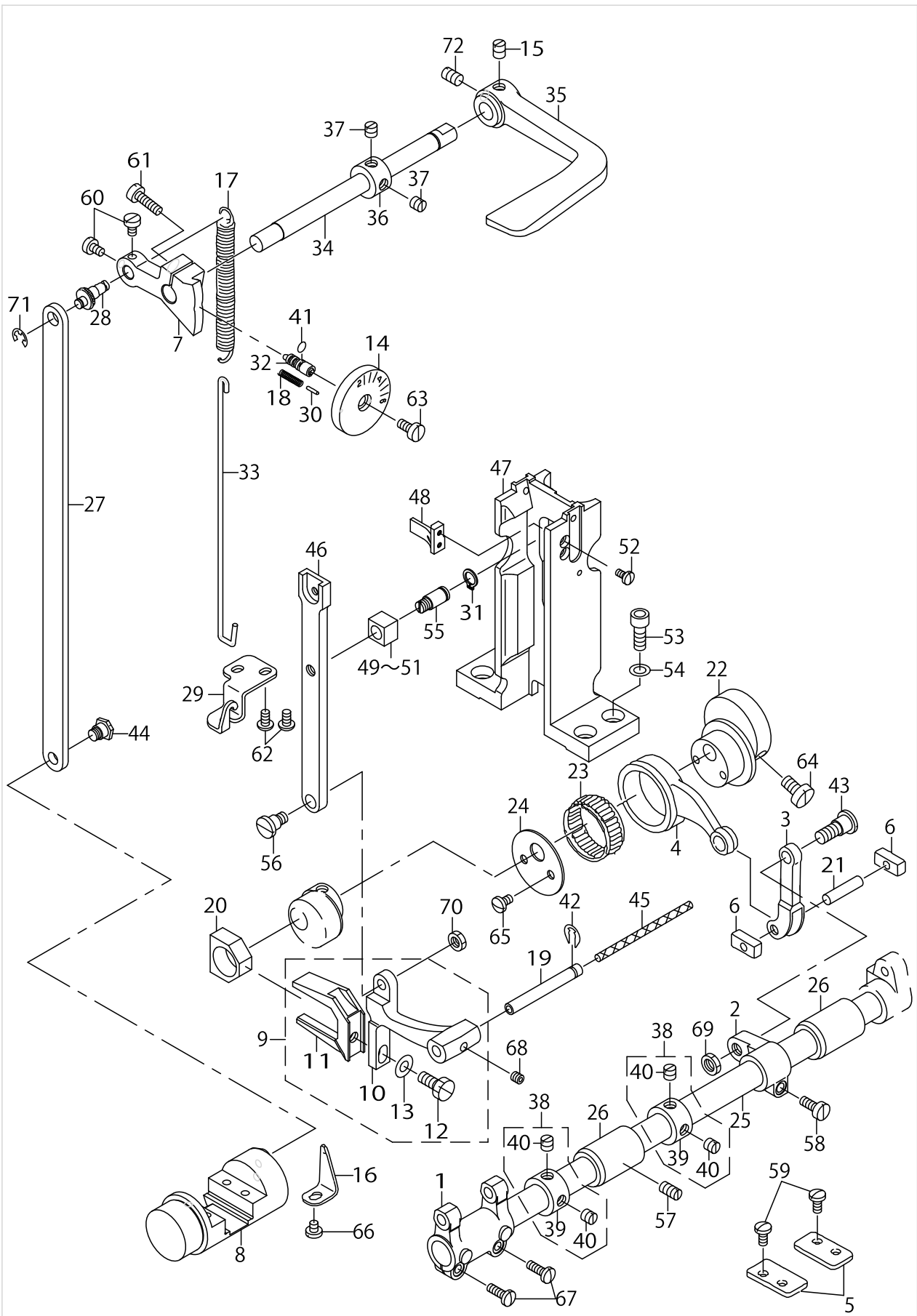
PRESSURE ADJUSTING & UPPER FEED MECHANISM COMPONENTS



PRESSURE ADJUSTING & UPPER FEED MECHANISM COMPONENTS

No.	Parts No.	Parts name	Remarks	Level	Cons	Qty
1	23006505	UPPER FEED DRIVING SHAFT				1
2	B1455053000	BUSHING				2
3	23006604	CONNECTING LINK				1
4	23006703	L SHAPED LINK				1
5	23006802	WALKING BAR DRIVING LINK				1
6	23006901	UPPER FEED DRIVING ROD				1
7	D1455055B00	CONNECTING STUD				1
8	D1454055B00	UPPER FEED SPRING ROD				1
9	B1414555000	SLIDE BLOCK				1
10	21230057	WALKING BAR ASM.				1
11	B1468053000	WALKING BAR SPRING				1
12	23010606	WALKING BAR SUPPORT PLATE				1
13	23007107	WALKING BAR				1
14	21048707	HINGE SCREW				2
15	23003007	GUIDE PLATE				1
16	23007206	WALKING BAR	OPTIONAL PARTS			1
17	B1461245000	GUIDE SHAFT HINGE SCREW				1
18	D1462241E00	CONNECTING PIN ROLLER				1
19	D1463241E00	PRESSER BAR BRACKET GUIDE				1
20	WP0482086SD	WASHER 4.8X11.5X2				1
21	D1456055B00	HINGE SCREW				1
22	SS9161610SP	SCREW 1/4-24 L=16				1
23	SS7110910SP	SCREW 11/64-40 L=8.5				2
24	SS7110840SP	SCREW 11/64-40 L=7.8				2
25	SS7621040SP	SCREW 3/16-32 L= 9.5				2
26	RE0800000K0	E-SHAPED SNAP RING (8MM)				2
27	NS6110530SP	NUT 11/64-40				1
28	10509701	FELT				1
29	B1509141H00	PRESSER SPRING REGULATOR				1
30	10310712	HAND LIFTER CAM				1
31	B1510141H00	PRESSER SPRING				1
32	23002959	THREAD RELEASE GUIDE				1
33	23002801	HAND LIFTER BRACKET				1
34	B1501141H00	PRESSER BAR				1
35	11071800	HAND LIFTER				1
36	SS7111310SP	SCREW 11/64-40 L=12.8				1
37	SD0800481SP	HINGE SCREW D= 8 H= 4.9				1
38	B1462053000	THREAD RELEASE SPRING				1
39	SS7091110TP	SCREW 9/64-40 L=10.5				1
40	WP0370316SD	WASHER 3.7X8X0.3				1

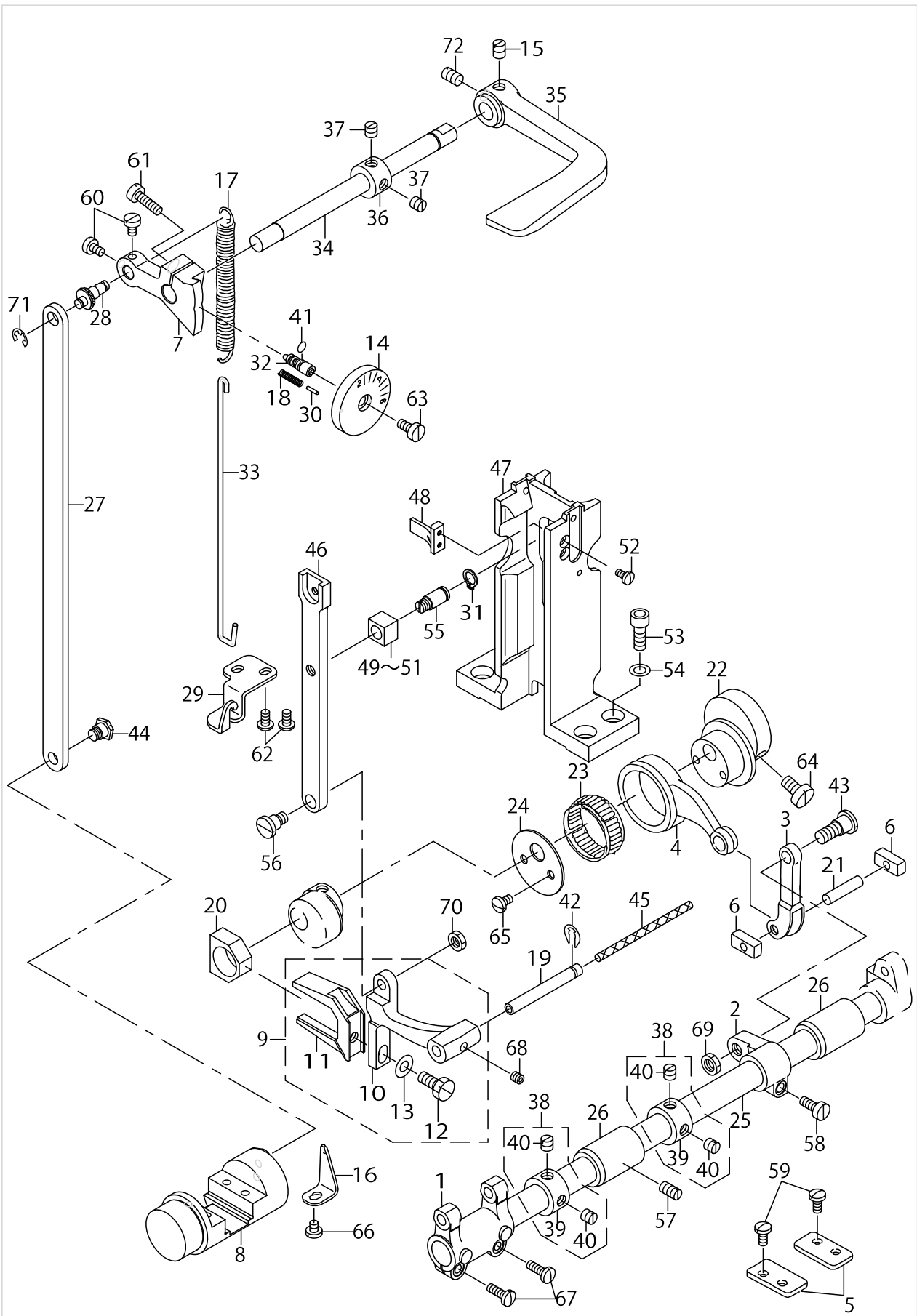
FEED MECHANISM COMPONENTS



FEED MECHANISM COMPONENTS

No.	Parts No.	Parts name	Remarks	Level	Cons	Qty
1	10315000	FEED ROCKER				1
2	10315109	FEED ROCKER SHAFT CRANK				1
3	10315208	FEED ROCK CONNECTING ROD				1
4	22609200	FEED ROCK SHAFT CONNECTING ROD				1
5	10315505	PLATE				2
6	22609606	FEED DRIVING ROCKER BLOCK, S				2
7	23003106	FEED REGULATOR				1
8	23003254	FEED DRIVING ROCKER ASM.				1
9	23003353	FEED BAR ASM.				1
10	23003304	FEED BAR		*		1
11	10107902	FEED BAR FORK		*		1
12	SS9151440CP	SCREW 15/64-28 L=14		*		1
13	WP0621016SD	WASHER 6.2X13X1		*		1
14	23003403	STITCH DIAL				1
15	SS8660810TP	SCREW 1/4-40 L=8				1
16	B1633470000	STOPPER PLATE				1
17	B1513280000	TENSION SPRING				1
18	22912109	FEED REGULATOR PIN SPRING				1
19	B1604012000A	FEED BAR SHAFT				1
20	B1610512000	FEED DRIVING SLIDE BLOCK				1
21	B1653470000	PIN				1
22	23003601	FEED DRIVE ECCENTRIC CAM				1
23	B1636581B00	NEEDLE BEARING B				1
24	23003700	THRUST COLLAR				1
25	23007305	FEED ROCK SHAFT				1
26	10106102	BUSHING				2
27	23003809	FEED REGULATOR CONNECTING ROD				1
28	22610109	ROD PIN				1
29	22610406	SPRING BRACKET				1
30	10207405	PIN				1
31	RC0740811KP	C-RING				1
32	10207116	FEED REGULATOR SCREW				1
33	21026307	SPRING HOLDER				1
34	10107506	REVERSE FEED SHAFT				1
35	B162438000A	REVERSE FEED CONTROL LEVER				1
36	CS1021211SH	THRUST COLLAR D=10.2 W=12				1
37	SS8660610TP	SCREW 1/4-40 L=6				2
38	22904155	MAIN SHAFT THRUST COLLAR ASM.				2
39	22904106	MAIN SHAFT THRUST COLLAR		*		2
40	SS8660610TP	SCREW 1/4-40 L=6		*		4
41	RO074240100	RUBBER RING				1
42	RE0500711KP	SNAP RING 5				1
43	SD0900701TP	HINGE SCREW D= 9 H= 7				1
44	SD0800422CP	HINGE SCREW D= 8 H= 4.2				1
45	CQ202000000	OIL WICK				0.1
46	23003908	FEED LEVER				1
47	23004005	FEED LEVER BASE				1

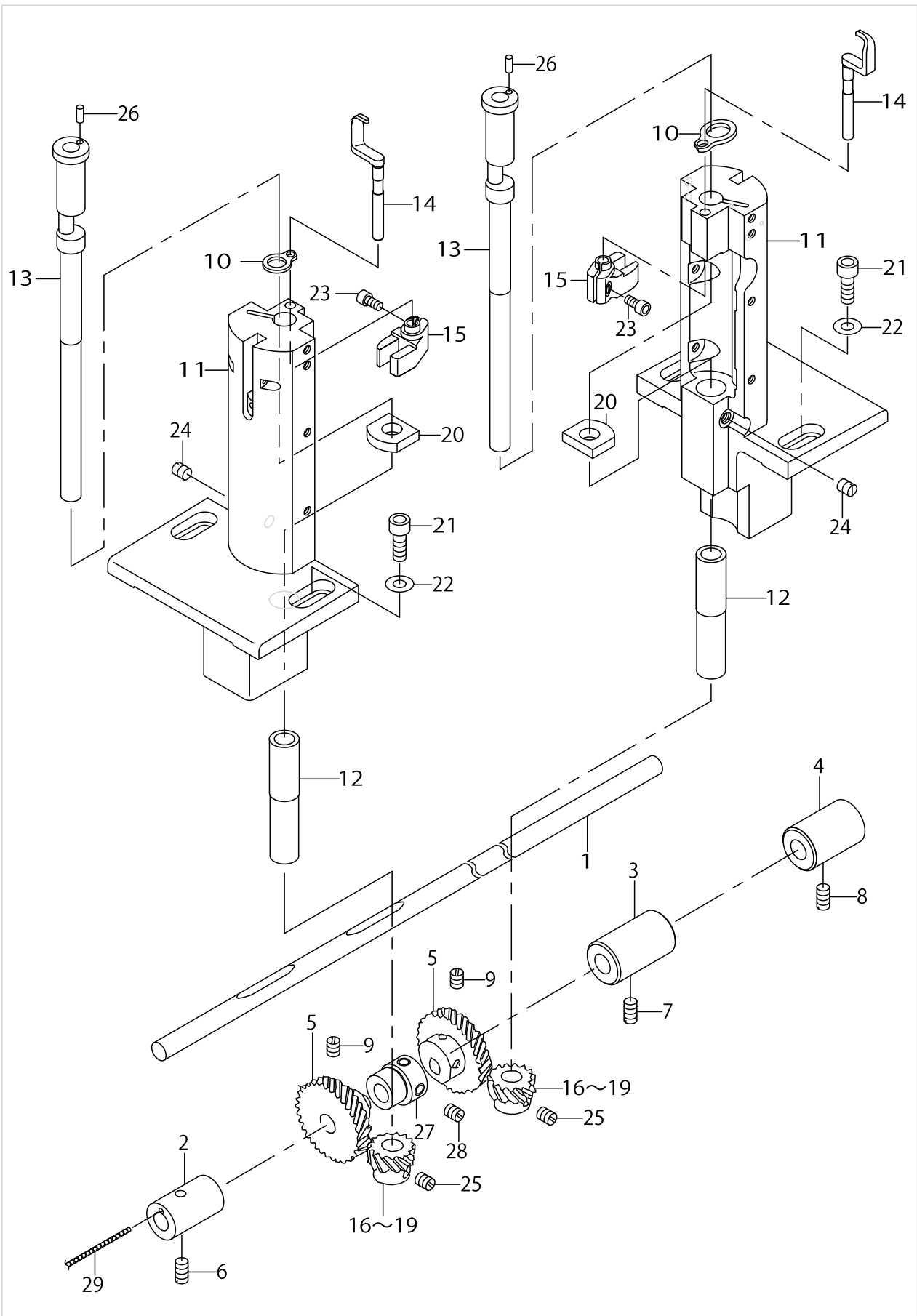
FEED MECHANISM COMPONENTS



FEED MECHANISM COMPONENTS

No.	Parts No.	Parts name	Remarks	Level	Cons	Qty
48	23004104	FEED LEVER SUPPORT				1
49	13516703	SLIDE BLOCK B	SELECTIVE PARTS			1
50	13516604	SLIDE BLOCK A	SELECTIVE PARTS			1
51	13519202	SLIDE BLOCK	SELECTIVE PARTS			1
52	SS7090710SP	SCREW 9/64-40 L= 6.8				2
53	SM6061602TP	SCREW M6 L=16				4
54	WP0651056SD	WASHER 6.5X11X1				4
55	23009509	FEED LEVER SHAFT				1
56	SD0790601SP	HINGE SCREW D=7.94 H=6				1
57	SS8151150SP	SCREW 15/64-28 L=10.5				1
58	SS6121610TP	SCREW 3/16-28 L=15.5				1
59	SS7110910SP	SCREW 11/64-40 L=8.5				4
60	SS6110710SP	SCREW 11/64-40 L=7				2
61	SS6121610TP	SCREW 3/16-28 L=15.5				1
62	SS4110815SP	SCREW 11/64-40 L=8				2
63	SS6121050SP	SCREW 3/16-28 L= 9.5				1
64	SS6661110SP	SCREW 1/4-40 L=11				2
65	SS7110710SP	SCREW 11/64-40 L=7				2
66	SS7110510SP	SCREW 11/64-40 L=5				1
67	SS7111310TP	SCREW 11/64-40 L=12.8				2
68	SM8050502TP	SCREW M5 L=5				1
69	NS6680320SP	NUT 9/32-28				1
70	NS6150310SP	NUT 15/64-28				1
71	RE0500000K0	E-RING				1
72	SS8661040TP	SCREW 1/4-40 L=10				1

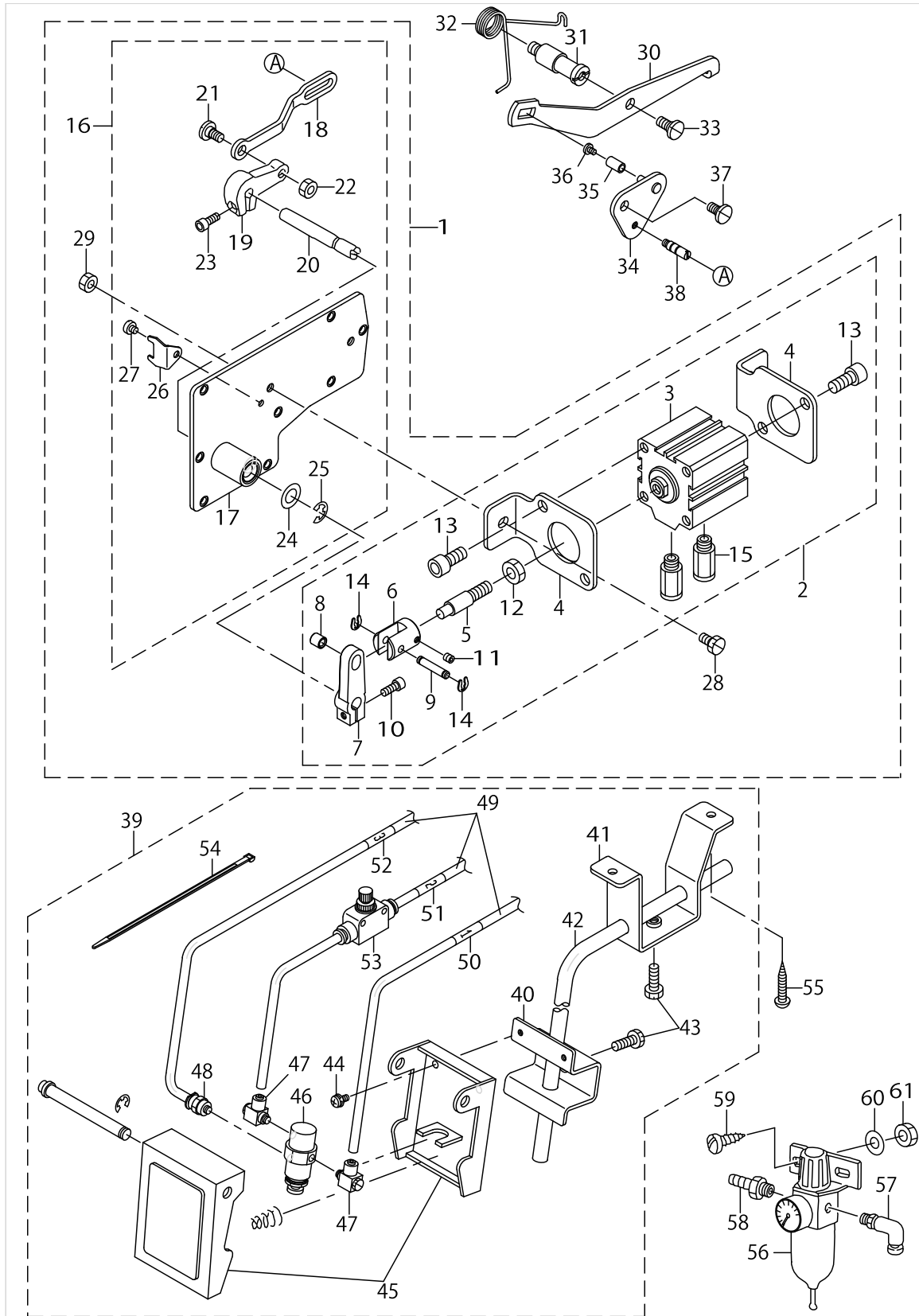
HOOK SHAFT & HOOK DRIVING SHAFT COMPONENTS



HOOK SHAFT & HOOK DRIVING SHAFT COMPONENTS

No.	Parts No.	Parts name	Remarks	Level	Cons	Qty
1	23004203	HOOK DRIVING SHAFT				1
2	B1802563000A	HOOK DRIVING SHAFT FRONT METAL				1
3	23004302	BUSHING,INTERMEDIATE				1
4	B1807512000	BUSHING B, INTERMEDIATE				1
5	B1816512000	HOOK DRIVING SHAFT, LARGE				1
6	SS8151150SP	SCREW 15/64-28 L=10.5				1
7	SS8151150SP	SCREW 15/64-28 L=10.5				1
8	SS8151150SP	SCREW 15/64-28 L=10.5				1
9	SS8660810TP	SCREW 1/4-40 L=8				4
10	23004708	HOOK SHAFT SPACER				2
11	23022205	HOOK SHAFT BASE				2
12	23004500	HOOK SHAFT BASE,LOWER METAL				2
13	23004609	HOOK SHAFT				2
14	23028707	OPENER				2
15	23004906	OPENER GUIDE ARM				2
16	10112001	HOOK SHAFT GEAR, A	SELECTIVE PARTS			2
17	10112100	HOOK SHAFT GEAR, B	SELECTIVE PARTS			2
18	10112209	HOOK SHAFT GEAR, C	SELECTIVE PARTS			2
19	10111904	HOOK SHAFT GEAR	SELECTIVE PARTS			2
20	23008105	LOWER METAL LUBRICATING FELT				2
21	SM6061602TP	SCREW M6 L=16				4
22	WP0651056SD	WASHER 6.5X11X1				4
23	SM6040802TP	SCREW M4X0.7 L=8				2
24	SS8150710SP	SCREW 15/64-28 L=7				2
25	SS8660530TP	SCREW 1/4-40 L= 4.5				6
26	PH0300062C0	PIN				2
27	23003502	VERTICAL FEED CAM				1
28	SS8150710TP	SCREW 15/64-28 L=7				2
29	CQ200000000	OIL WICK				0.06

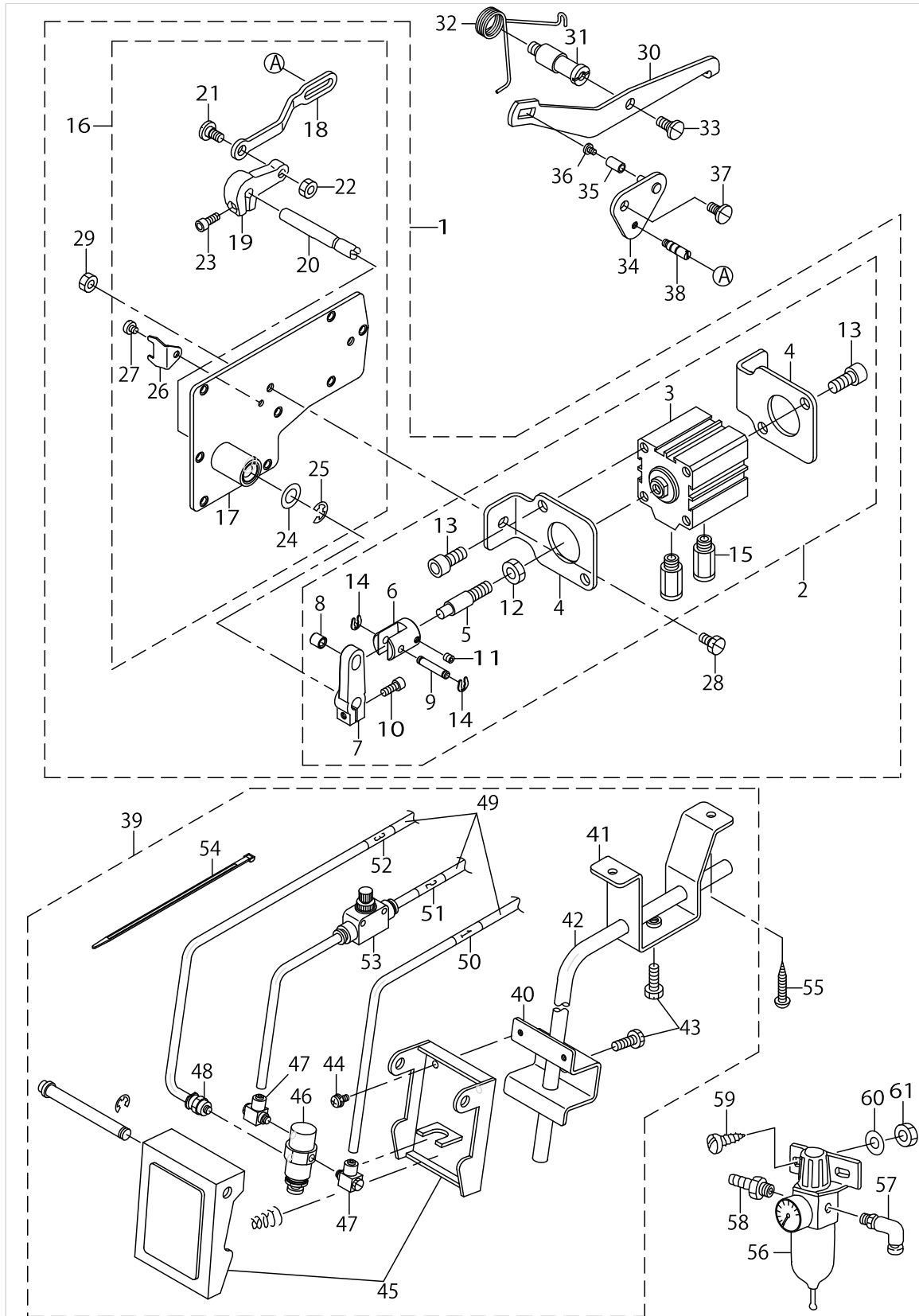
PRESSER LIFTING SOLENOID COMPONENTS(FOR AK-116A)



PRESSER LIFTING SOLENOID COMPONENTS(FOR AK-116A)

No.	Parts No.	Parts name	Remarks	Level	Cons	Qty
1	GAKA16010A0	AK DRIVING LINK ASM.				1
2	GAKA16030A0	AK CYLINDER ASM.		*		1
3	PA400200200	AIR CYLINDER		*		1
4	GAKA1604000	AK CYLINDER BASE		*		2
5	GAKA1605000	CYLINDER CONNECTING SHAFT		*		1
6	GAK33035000	SOLENOID COLLAR		*		1
7	GAK33011000	SOLENOID ARM, A		*		1
8	GAK33013000	SOLENOID PIN COLLAR		*		1
9	GAK33012000	SOLENOID PIN		*		1
10	SS6121212TP	SCREW 3/16-28 L=12.0		*		1
11	SM8050502TP	SCREW M5 L=5		*		1
12	NM6080001SE	NUT M8		*		1
13	SM6081802TP	SCREW		*		4
14	GAK33014000	SNAP RING		*		2
15	PJ301065104	HALF UNION		*		2
16	GAKA16020A0	AK WINDOW PLATE ASM.		*		1
17	GAKA16020B0	WINDOW PLATE ASM.		*		1
18	GAKA1606000	SOLENOID LINK		*		1
19	GAK33027000	SOLENOID ARM		*		1
20	GAK33028000	SOLENOID SHAFT		*		1
21	SD0720331SP	HINGE SCREW D= 7.24 H= 3.3		*		1
22	NS6150310SP	NUT 15/64-28		*		1
23	SS6121212TP	SCREW 3/16-28 L=12.0		*		1
24	WP1021016SD	WASHER		*		1
25	RE0700000K0	E-RING 7		*		1
26	GAK33024000	SOLENOID LINK HOLDER		*		1
27	SS6110480SP	SCREW 11/64-40 L=4.3		*		1
28	SS9151160CP	SCREW 15/64-28 L=10.5		*		2
29	NS6150310SP	NUT 15/64-28		*		2
30	10312106	KNEE LIFTER FRONT LEVER				1
31	10311504	HOLDER STUD				1
32	10312213	SPRING				1
33	SD0790361SP	HINGE SCREW D= 7.94 H= 3.6				1
34	GAKA16070A0	KNEE LIFT REAR LEVER ASM.				1
35	10311801	LEVER SHAFT ROLLER				1
36	SS7090530SP	SCREW 9/64-40 L= 4.5				1
37	SD0720331SP	HINGE SCREW D= 7.24 H= 3.3				1
38	GAK88040000	PIN				1
39	GAKA16080A0	KNEE LIFTER SWITCH ASM.				1
40	GAK81007000	KNEE LIFTER SWITCH BRACKET		*		1
41	GAK81008000	HOLDER		*		1
42	GAK81009000	ROD		*		1
43	SM9061850SC	SCREW M6 L=18		*		2
44	SL4041091SC	SCREW M4 L=10		*		2
45	PX020002000	ACTUATOR		*		1
46	PV010502000	AIR VALVE		*		1
47	PJ046059002	ELBOW		*		2

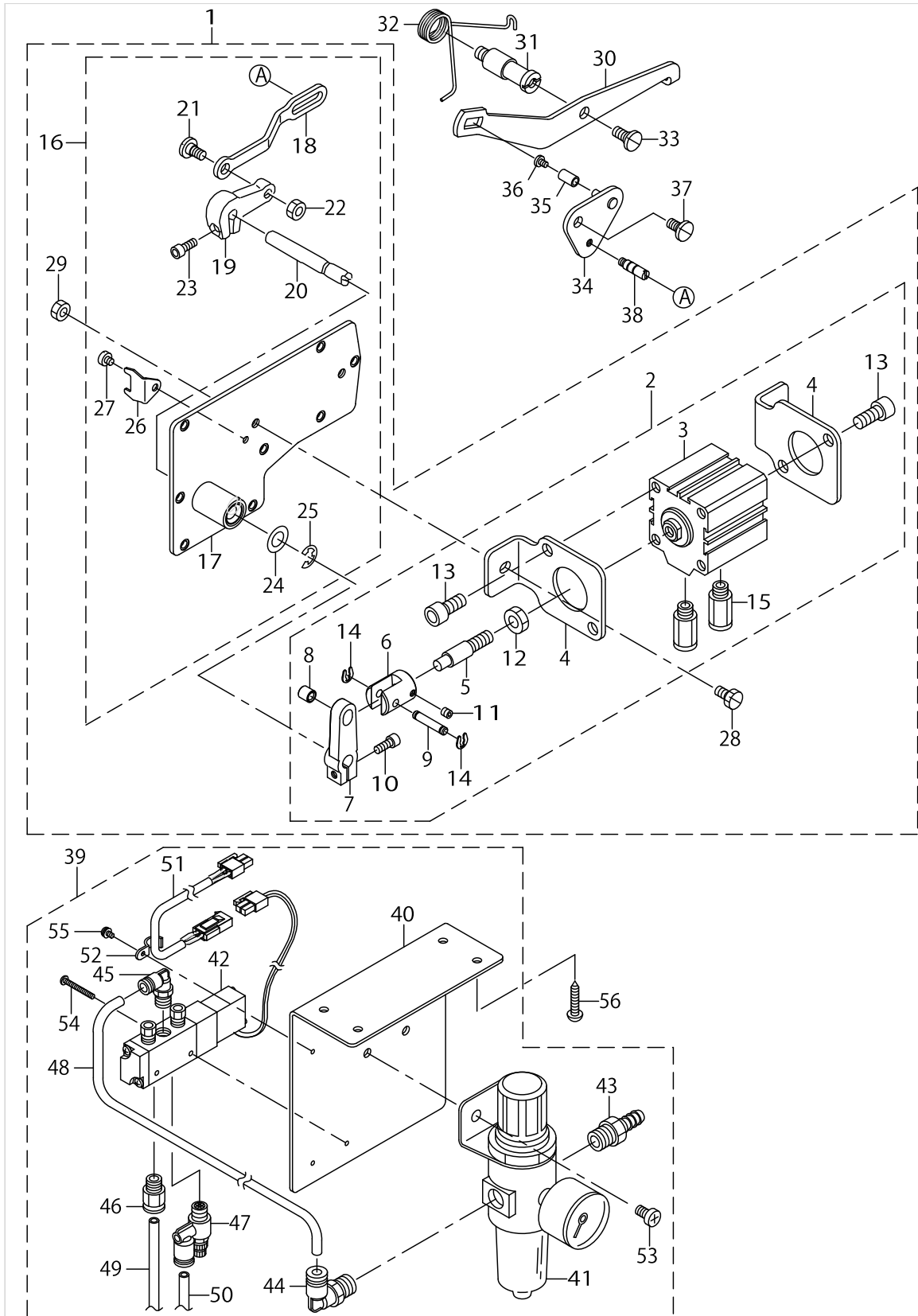
PRESSER LIFTING SOLENOID COMPONENTS(FOR AK-116A)



PRESSER LIFTING SOLENOID COMPONENTS(FOR AK-116A)

No.	Parts No.	Parts name	Remarks	Level	Cons	Qty
48	PJ301060504	JOINT		*		1
49	BT0600401EB	TUBE		*		4.34
50	18035006	CABLE MARK NO.1		*		1
51	18035105	WIRE MARK (2)		*		1
52	18035204	WIRE MARK (3)		*		1
53	PC012601000	SPEED CONTROLLER		*		1
54	EA9500B0200	CABLE BAND 150		*		1
55	SK3513200SC	WOOD SCREW D=5.1 L=32				2
56	PF0552100A0	FILTER REGULATER ASM.				1
57	PJ304065201	ELBOW UNION 6XPT1/4				1
58	F1021003000	HOSE JOINT				1
59	SL4041291SC	SCREW M4 L=12				2
60	WP0430801SC	WASHER 4.3X9X0.8				2
61	NM6040001SC	NUT M4				2

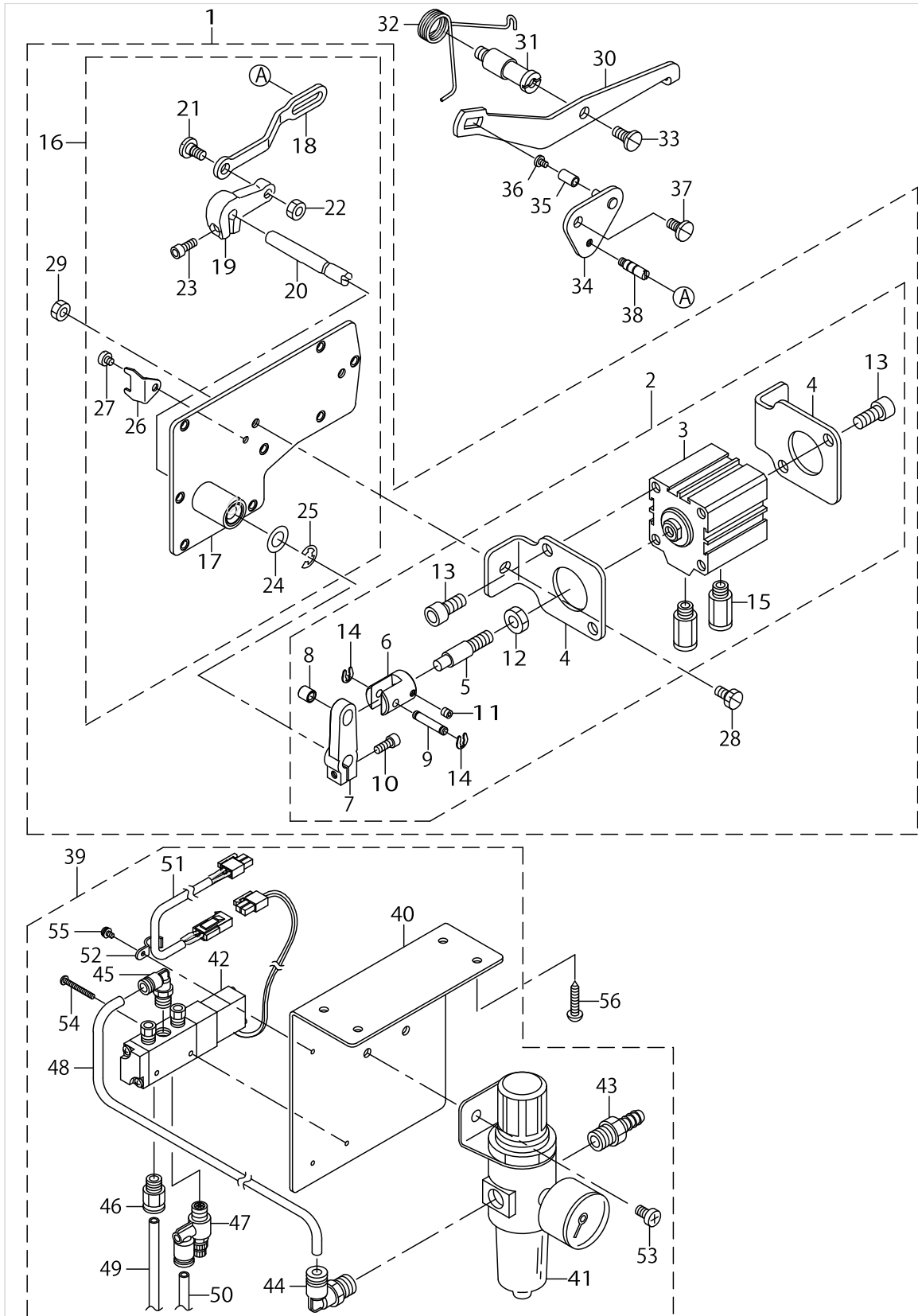
PRESSER LIFTING SOLENOID COMPONENTS(FOR AK-116B)



PRESSER LIFTING SOLENOID COMPONENTS(FOR AK-116B)

No.	Parts No.	Parts name	Remarks	Level	Cons	Qty
1	GAKA16010A0	AK DRIVING LINK ASM.				1
2	GAKA16030A0	AK CYLINDER ASM.		*		1
3	PA400200200	AIR CYLINDER		*		1
4	GAKA1604000	AK CYLINDER BASE		*		2
5	GAKA1605000	CYLINDER CONNECTING SHAFT		*		1
6	GAK33035000	SOLENOID COLLAR		*		1
7	GAK33011000	SOLENOID ARM, A		*		1
8	GAK33013000	SOLENOID PIN COLLAR		*		1
9	GAK33012000	SOLENOID PIN		*		1
10	SS6121210TP	SCREW 3/16-28 L=12		*		1
11	SM8050502TP	SCREW M5 L=5		*		1
12	NM6080001SE	NUT M8		*		1
13	SM6081802TP	SCREW		*		4
14	GAK33014000	SNAP RING		*		2
15	PJ301065104	HALF UNION		*		2
16	GAKA16020A0	AK WINDOW PLATE ASM.		*		1
17	GAKA16020B0	WINDOW PLATE ASM.		*		1
18	GAKA1606000	SOLENOID LINK		*		1
19	GAK33027000	SOLENOID ARM		*		1
20	GAK33028000	SOLENOID SHAFT		*		1
21	SD0720331SP	HINGE SCREW D= 7.24 H= 3.3		*		1
22	NS6150310SP	NUT 15/64-28		*		1
23	SS6121212TP	SCREW 3/16-28 L=12.0		*		1
24	WP1021016SD	WASHER		*		1
25	RE0700000K0	E-RING 7		*		1
26	GAK33024000	SOLENOID LINK HOLDER		*		1
27	SS6110480SP	SCREW 11/64-40 L=4.3		*		1
28	SS9151160CP	SCREW 15/64-28 L=10.5		*		2
29	NS6150310SP	NUT 15/64-28		*		2
30	10312106	KNEE LIFTER FRONT LEVER				1
31	10311504	HOLDER STUD				1
32	10312213	SPRING				1
33	SD0790361SP	HINGE SCREW D= 7.94 H= 3.6				1
34	GAKA16070A0	KNEE LIFT REAR LEVER ASM.				1
35	10311801	LEVER SHAFT ROLLER				1
36	SS7090530SP	SCREW 9/64-40 L= 4.5				1
37	SD0720331SP	HINGE SCREW D= 7.24 H= 3.3				1
38	GAK88040000	PIN				1
39	GAKA14010A0	AIR COMPONENTS ASM.				1
40	GAKA1401000	SOLENOID VALVE MOUNTING PLATE		*		1
41	GAK29007000	FILTER REGULATOR		*		1
42	GAKA14030A0	SOLENOID VALVE ASM.		*		1
43	GAK29011000	NIPPLE		*		1
44	GAK29009000	ELBOW		*		1
45	GAK29010000	ELBOW B		*		1
46	GAK29015000	JOINT A		*		1
47	GAK29016000	SPEED CONTROLLER		*		1

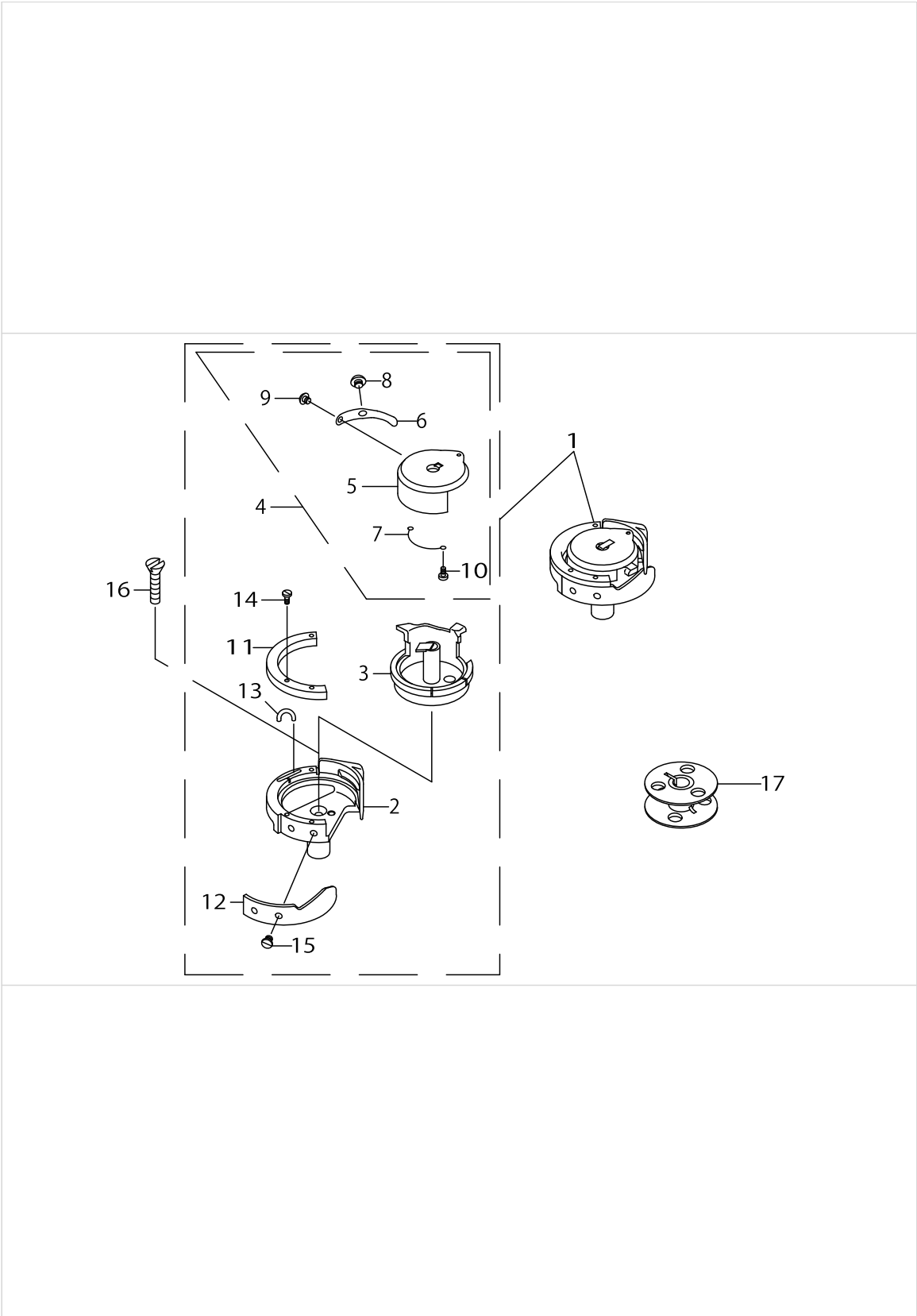
PRESSER LIFTING SOLENOID COMPONENTS(FOR AK-116B)



PRESSER LIFTING SOLENOID COMPONENTS(FOR AK-116B)

No.	Parts No.	Parts name	Remarks	Level	Cons	Qty
48	BT0600401EB	TUBE		*		0.18
49	BT0600401EB	TUBE		*		1.45
50	BT0600401EB	TUBE		*		1.45
51	GAKA14020A0	CORD ASM.		*		1
52	B3538112000	OIL RETURN TUBE HOLDER		*		1
53	SM4061001SB	SCREW M6 L=10		*		2
54	SM4032501SB	SCREW M3X0.5 L=25.0		*		2
55	SL4030691SC	SCREW M3X6		*		1
56	SK3482500SC	WOOD SCREW D=4.8 L=25				4

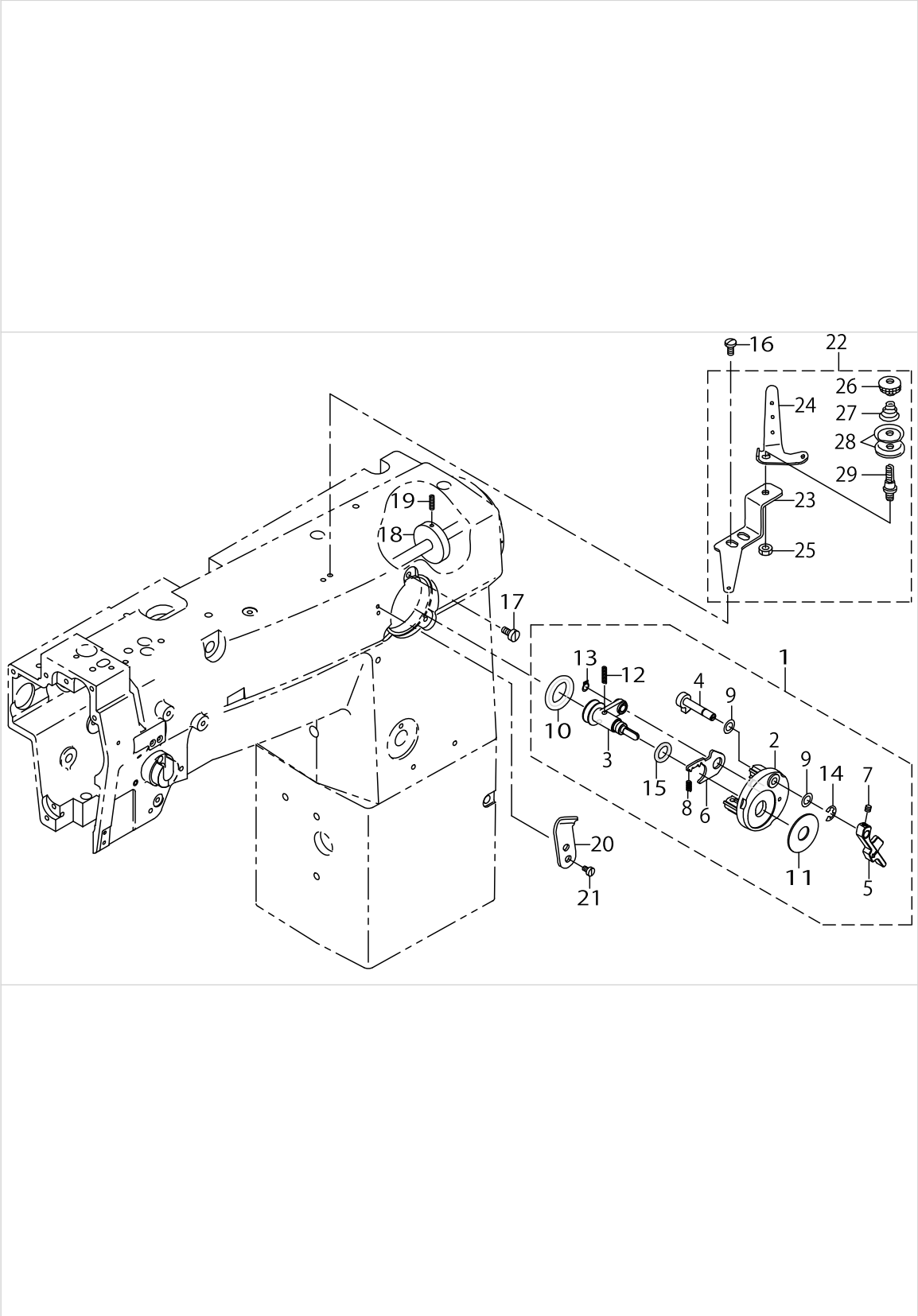
HOOK COMPONENTS



HOOK COMPONENTS

No.	Parts No.	Parts name	Remarks	Level	Cons	Qty
1	23029051	HOOK WITH CAP ASM.				2
2	23025000	HOOK		*		2
3	23027063	INNER HOOK ASM.		*		2
4	23029069	CAP ASM.		*		2
5	23029002	CAP		*		2
6	23025802	TENSION SPRING		*		2
7	23029101	SPRING		*		2
8	23026107	SCREW		*		2
9	23026206	SCREW		*		2
10	23029200	SCREW		*		2
11	23025307	HOLDER		*		2
12	23025901	NEEDLE GUARD		*		2
13	23026404	FELT		*		2
14	10723104	PRESSER SETSCREW		*		6
15	22814008	SCREW		*		4
16	SS1092810SP	SCREW 9/64-40 L=25.4				2
17	10759603	ALUMINUM BOBBIN (DOUBLE-CUT)				2

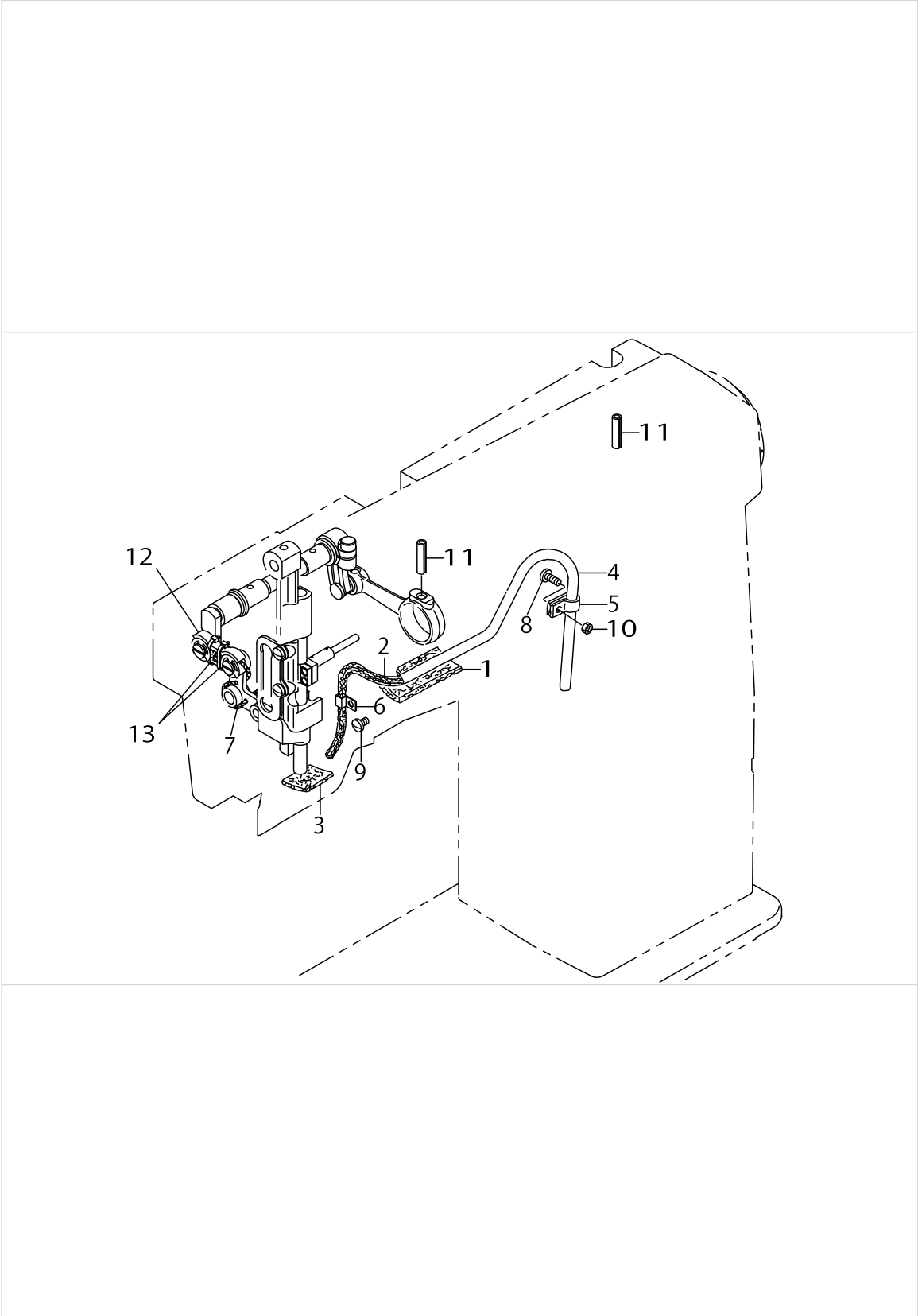
LOWER THREAD WINDER MECHANISM COMPONENTS



LOWER THREAD WINDER MECHANISM COMPONENTS

No.	Parts No.	Parts name	Remarks	Level	Cons	Qty
1	23009764	BOBBIN DEVICE ASM.				1
2	22537658	BOBBIN FITTING BASIS COMPL.		*		1
3	23009756	BOBBIN SHAFT COMPL.		*		1
4	22538151	BOBBIN CAM SHAFT COMPL.		*		1
5	22538300	BOBBIN LEVER		*		1
6	22538409	ADJUSTING PLATE		*		1
7	SS8110422TP	SCREW 11/64-40 L=4		*		1
8	B152989000CA	PRESSUR FOOT SPRING		*		1
9	10618304	VERTICAL ROLLER WASHER		*		2
10	A321600100A	RUBBER RING		*		1
11	B3205210000	CUSHION		*		1
12	B1148141H00	SPRING		*		1
13	RC0560711KP	RETAINING RING		*		1
14	RE0500000K0	E-RING		*		1
15	RO092270200	RUBBER RING		*		1
16	SS7621040SP	SCREW 3/16-32 L= 9.5				2
17	SS6121030SP	SCREW 3/16-28 L=10				3
18	B3213205000	BOBBIN WINDER DRIVING WHEEL				1
19	SS8111610SP	SCREW 11/64-40 L=15.5				2
20	10502300	THREAD CUTTER				1
21	SS6090620SP	SCREW 9/64-40 L=6				2
22	10704153	BOBBIN THREAD GUIDE PLATE ASM.				1
23	10704104	BOBBIN THREAD GUIDE PLATE		*		1
24	10088003	THREAD GUIDE		*		1
25	NS6110310SP	NUT 11/64-40		*		1
26	B3216047000	BOBBIN WINDER TENSION NUT		*		1
27	D3168555H0B	TENSION SPRING NO.1		*		1
28	B3214047000	BOBBIN WINDER TENSION DISC		*		2
29	10124204	THREAD TENSION POST, A		*		1

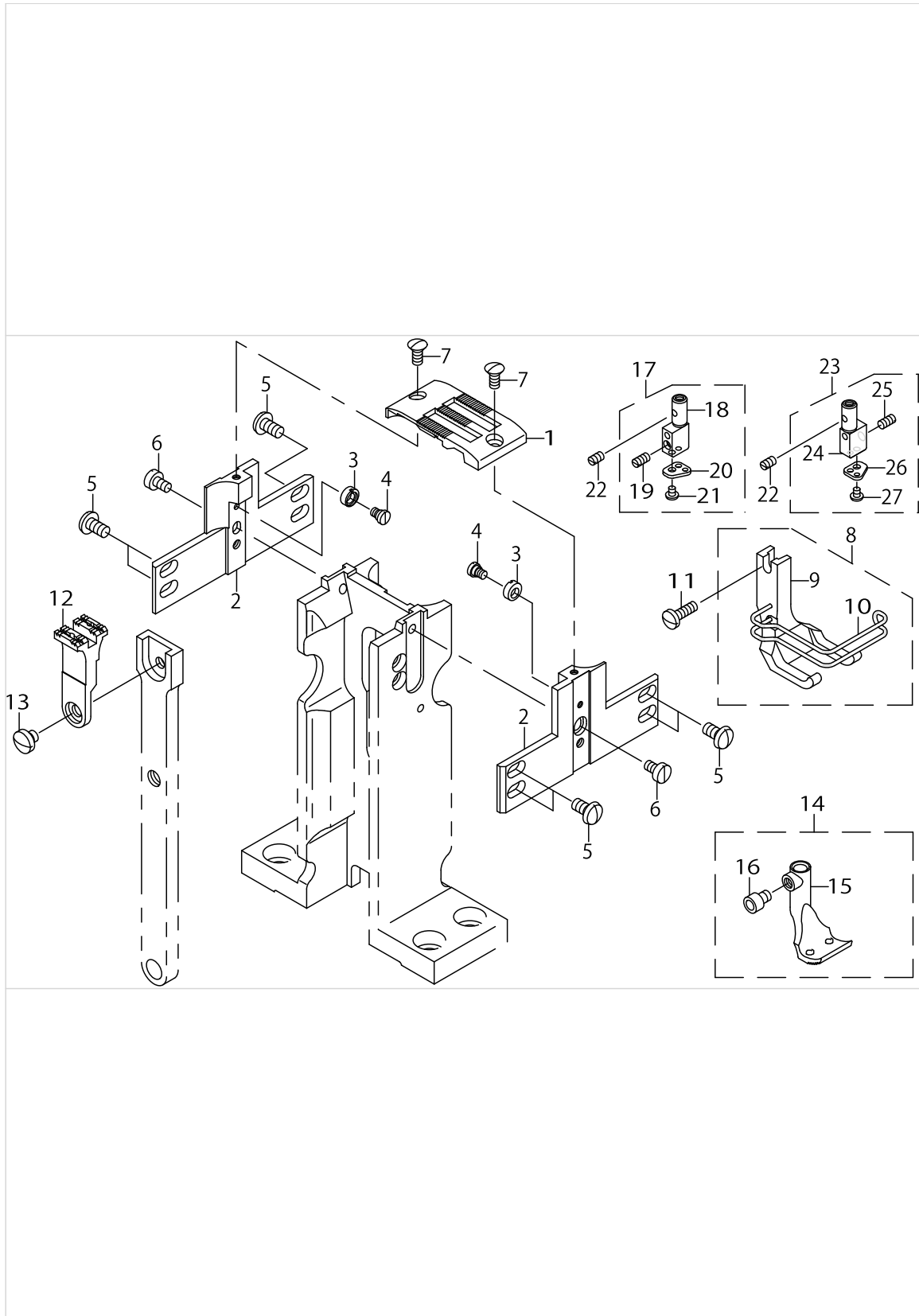
LUBRICATION COMPONENTS



LUBRICATION COMPONENTS

No.	Parts No.	Parts name	Remarks	Level	Cons	Qty
1	10321602	FELT				1
2	10321701	OIL RETURN WICK				1
3	B3526226000	OIL SPONGE				1
4	BP800000000	VINYL TUBE, WHITE D=8				0.3
5	EA9502B0500	CABLE CLIP				1
6	B3508512000	OIL FELT HOLDER				1
7	CQ202000000	OIL WICK				0.2
8	SS7111140SP	SCREW 11/64-40 L=11				1
9	SS7110710SP	SCREW 11/64-40 L=7				1
10	NS6110310SP	NUT 11/64-40				1
11	PS060024100	SPRING PIN 6X24				2
12	23014608	CONNECTING LINK FELT				1
13	EA9500B0000	CLIP CV-70S				2

GAUGE COMPONENTS(STANDARD PARTS)



GAUGE COMPONENTS(STANDARD PARTS)

No.	Parts No.	Parts name	Remarks	Level	Cons	Qty
1	23015001	THROAT PLATE,(10MM)				1
2	23016900	THROAT PLATE HOLDER ,10MM				2
3	23007503	ECCENTRIC ROLLER				2
4	23007602	HINGE SCREW				2
5	SS5110810SP	SCREW 11/64-40 L=8				8
6	SS6090620SP	SCREW 9/64-40 L=6				2
7	SS2090810SP	SCREW 9/64-40 L= 7.5				2
8	23018658	PRESSER FOOT ASM. 10MM				1
9	23018609	PRESSER FOOT, 10MM		*		1
10	23019409	FINGER GUARD		*		1
11	SS7091110TP	SCREW 9/64-40 L=10.5				1
12	23020209	FEED DOG,10MM				1
13	SS7110410SP	SCREW 11/64-40 L=4				1
14	10783355	FEED FOOT ASM. 10MM				1
15	10783306	FEED FOOT ASM. 10MM		*		1
16	SM6040552TP	SCREW M4 L=4.5		*		1
17	23023856	NEEDLE CLAMP LEFT ASM.10MM				1
18	23021306	NEEDLE CLAMP 10MM		*		1
19	SS8080660TP	SCREW 1/8-44 L=5.5		*		1
20	B1403526000	THREAD GUIDE		*		1
21	SS5060310SP	SCREW 3/32-56 L=2.8		*		1
22	B1425526000	SCREW 1/8-44 L=6				2
23	23021355	NEEDLE CLAMP RIGHT ASM.10MM				1
24	23021306	NEEDLE CLAMP 10MM		*		1
25	SS8080660TP	SCREW 1/8-44 L=5.5		*		1
26	B1403526000	THREAD GUIDE		*		1
27	SS5060310SP	SCREW 3/32-56 L=2.8		*		1

TABLE AND STAND & BELT COVER COMPONENTS

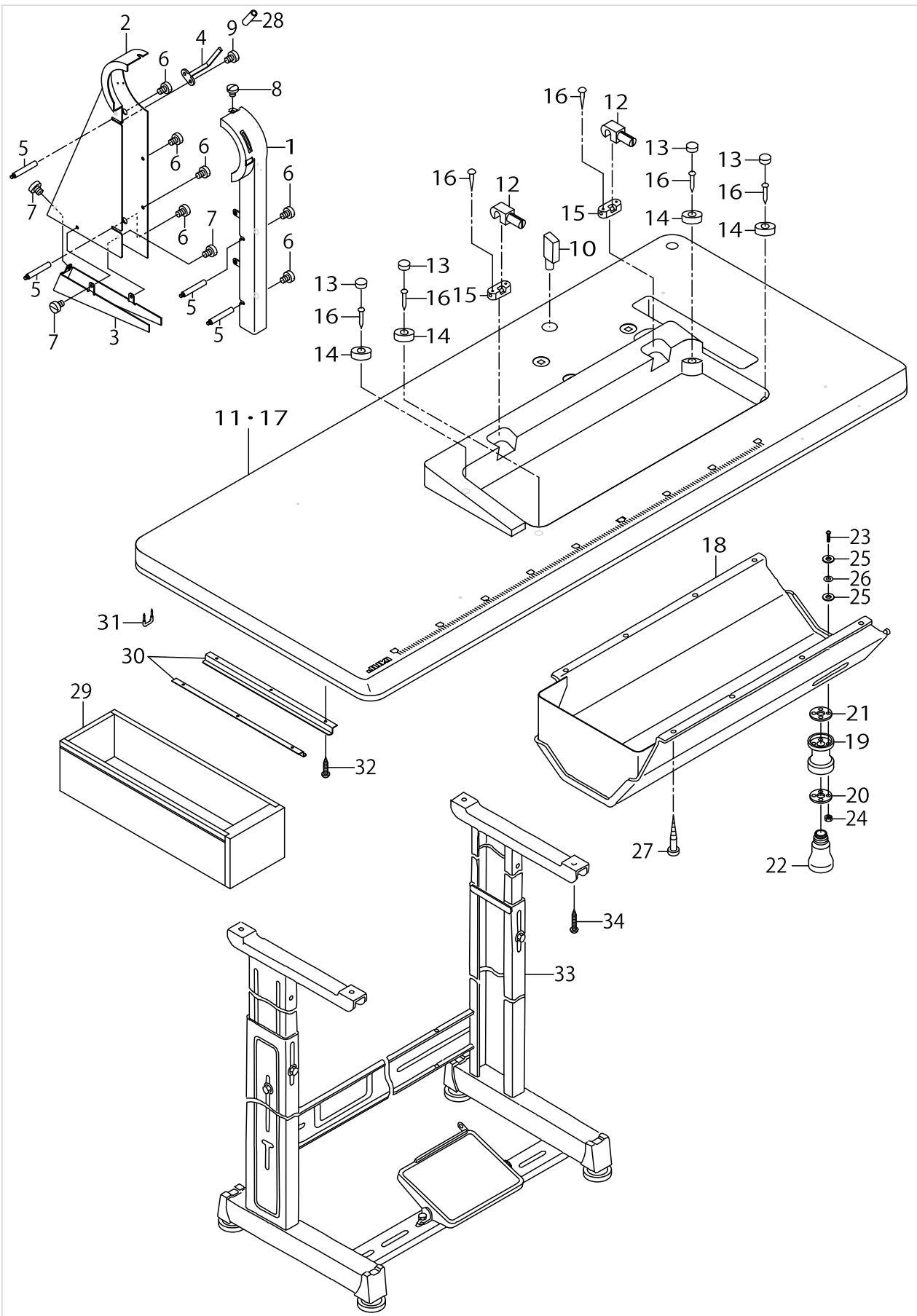
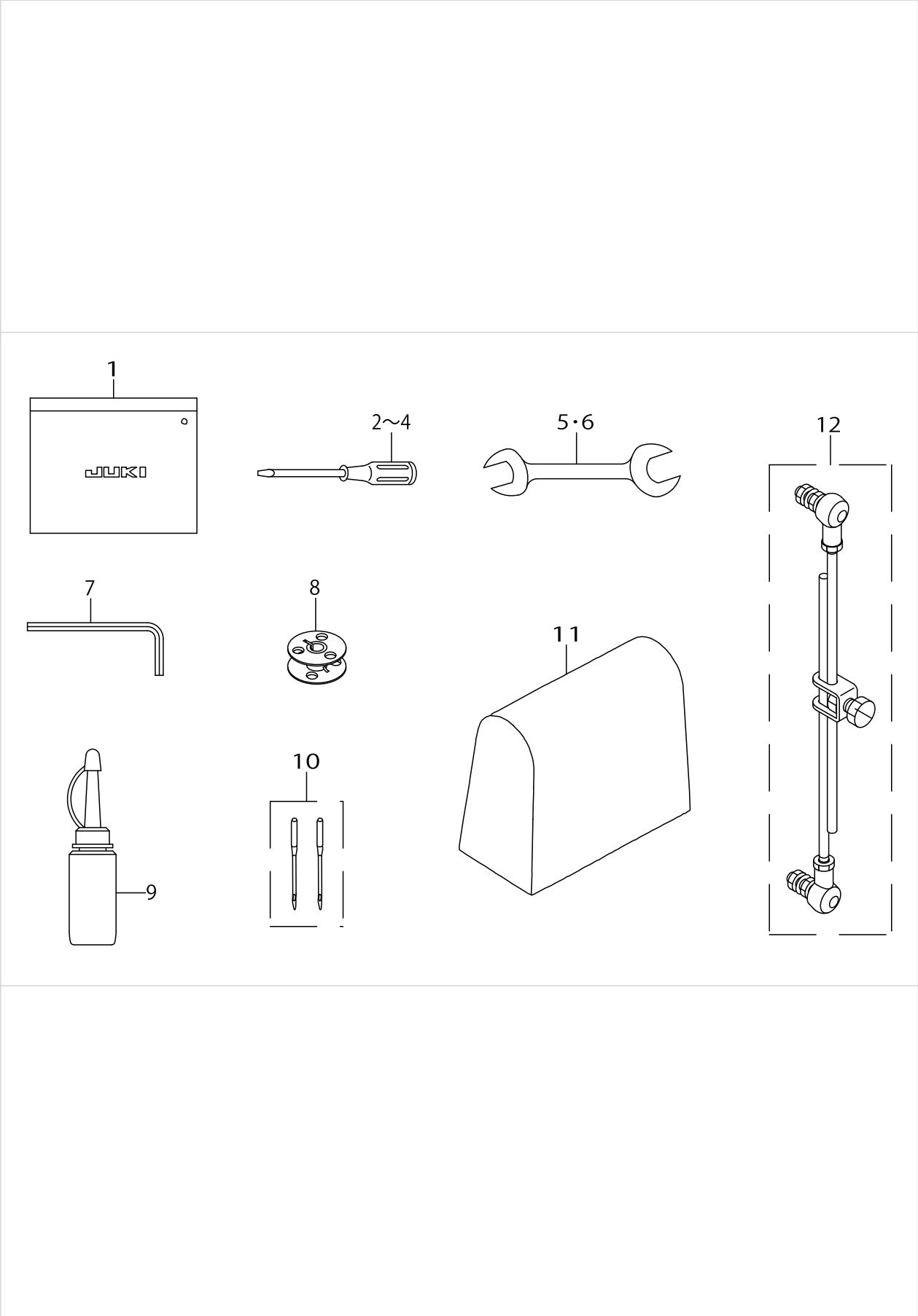


TABLE AND STAND & BELT COVER COMPONENTS

No.	Parts No.	Parts name	Remarks	Level	Cons	Qty
1	23012859	BELT COVER (LABEL STICK)				1
2	23012909	BELT COVER (REAR)				1
3	23013006	BELT COVER (UNDER)				1
4	23013105	SYNCHRO SUPPORT				1
5	D8232141E00	BELT COVER SUPPORT				4
6	SS6110610TP	SCREW 11/64-40 L=6				6
7	SS6110610TP	SCREW 11/64-40 L=6				3
8	SS7110510SP	SCREW 11/64-40 L=5				1
9	SS6110610TP	SCREW 11/64-40 L=6				2
10	10528800	FRAME SUPPORT BAR				1
11	23012701	OBLIQUE TABLE				1
12	B8213012000	BED HINGE CONNECTION				2
13	B8206012000	FELT CUSHION				4
14	B8209012000	RUBBER CUSHION				4
15	10529600	WASHER				2
16	10539906	SET NAIL				8
17	23012602	FLAT TABLE	FOR FLAT TABLE			1
18	10772952	OIL RESERVOIR ASM.				1
19	B8202205000	OIL MANAGEMENT				1
20	21379003	WASHER				1
21	B8112220000	OIL SEAL				1
22	B9121012000	OIL CAN				1
23	SM3031401SE	SCREW M3X0.5 L=14				4
24	NM6030001SC	NUT M3				4
25	10748101	OIL REMOVING SETSCREW PACKING				8
26	WP0320501SC	WASHER M3				4
27	SK3241601SC	WOOD SCREW D=2.4 L=16				8
28	BT0630520Z0	HOLDER COVER				0.01
29	11155108	DRAWER				1
30	11155207	DRAWER SUPPORT				2
31	D8204555D00	DRAWER STOPPER				1
32	SK3311600SE	WOOD SCREW D=3.1 L=16				6
33	11157567	T LEG JUNCTION				1
34	SK3513200SC	WOOD SCREW D=5.1 L=32				4

ACCESSORIES PARTS COMPONENTS



ACCESSORIES PARTS COMPONENTS

No.	Parts No.	Parts name	Remarks	Level	Cons	Qty
1	B9101552000	ACCESSORY BOX				1
2	22933006	SCREW DRIVER,LARGE				1
3	B9110012000	SCREW DRIVER, MIDDLE				1
4	B9111012000	SCREW DRIVER, SMALL				1
5	B9143372000	WRENCH (7.1 X 8.1)				1
6	B9113012000	WRENCH (9X10)				1
7	B9141372000	HEXAGONAL WRENCH, LARGE				1
8	10759603	ALUMINUM BOBBIN (DOUBLE-CUT)				2
9	B91212200A0	OILER (CONTAINING NO.2 OIL)				1
10	MC321001402	NEEDLE 134-35 #140-2				2
11	10529808	COVER				1
12	22958458	CONNECTING ROD ASM. B				1

HOW TO MAKE USE OF THIS PARTS LIST

1.Explanation of codes

1)"*"mark.....means this part is changed from the previous parts book.

As to the details of the change, refer to the "List for information of change".

2)"#01".....refer to "Note" explanation at bottom of page.

2.Codes on the "Qty" column

- Each numeral indicates the number of parts required.
- "0.1" and "2.5" indicate the length (in meters) of the respective parts.

3.Parentheses mean that the corresponding part is a subpart that constructs an assembly part.

4.Dotted lines on the Figures indicate assembly parts.

1."注記"欄の記号説明

1) "*"印.....前回のパーツブックに比較して今回変更された部品を意味します。

変更内容は、"変更情報リスト"を参照してください。

2) "#01".....ページ下の"注記"の説明を参照してください。

2.数量欄の数字は、個数を表し、0.1、2.5等の数値は、長さ（単位メートル）を表します。

3.数量欄の（ ）は、組部品を構成している子部品であることを意味します。

4.イラストページの-----枠は、組構成であることを意味します。

NUMERICAL INDEX OF PARTS

PART NO	PAGE	REF NO.	PART NO	PAGE	REF NO.	PART NO	PAGE	REF NO.
10088003	36	24	10704104	36	23	22933006	44	2~4
10106102	20	26	10704153	36	22	22958458	44	12
10107506	20	34	10723104	34	14	23000656	2	9
10107902	20	11	10748101	42	25	23000805	2	10
10111904	24	16~19	10759603	34	17	23000904	2	11
10112001	24	16~19	10759603	44	8	23001209	4	24
10112100	24	16~19	10772952	42	18	23001308	4	35
10112209	24	16~19	10774008	2	6	23001407	4	36
10124204	12	27	10783306	40	15	23001506	4	37
10124204	36	29	10783355	40	14	23001605	4	44
10124303	12	31	11071800	18	35	23001704	4	47
10124501	12	20	11072204	12	36	23001803	6	50
10201200	2	20	11072402	12	30	23001902	6	51
10204709	16	1	11155108	42	29	23002306	16	5
10207116	20	32	11155207	42	30	23002405	16	6
10207405	20	30	11157567	42	33	23002504	16	13
10215051	12	26	13516604	22	49~51	23002603	16	14
10301950	2	1	13516703	22	49~51	23002702	16	15
10305001	4	1	13519202	22	49~51	23002801	18	33
10305100	4	3	18035006	28	50	23002959	18	32
10305159	4	2	18035105	28	51	23003007	18	15
10310712	18	30	18035204	28	52	23003106	20	7
10311504	26	31	21026307	20	33	23003254	20	8
10311504	30	31	21048707	18	14	23003304	20	10
10311801	26	35	21230057	18	10	23003353	20	9
10311801	30	35	21379003	42	20	23003403	20	14
10312106	26	30	22537658	36	2	23003502	24	27
10312106	30	30	22538151	36	4	23003601	20	22
10312213	26	32	22538300	36	5	23003700	20	24
10312213	30	32	22538409	36	6	23003809	20	27
10315000	20	1	22602601	2	4	23003908	20	46
10315109	20	2	22603708	2	39	23004005	20	47
10315208	20	3	22603906	6	52	23004104	10	58
10315505	20	5	22609200	20	4	23004104	22	48
10321602	38	1	22609606	20	6	23004203	24	1
10321701	38	2	22610109	20	28	23004302	24	3
10439008	2	15	22610406	20	29	23004500	24	12
10502300	36	20	22611602	4	12	23004609	24	13
10503605	4	43	22611651	4	11	23004708	24	10
10509701	18	28	22617609	12	44	23004906	24	15
10528800	42	10	22618904	12	41	23006406	12	14
10529600	42	15	22814008	34	15	23006505	18	1
10529808	44	11	22904106	20	39	23006604	18	3
10539906	42	16	22904155	20	38	23006703	18	4
10618304	36	9	22912109	20	18	23006802	18	5

NUMERICAL INDEX OF PARTS

PART NO	PAGE	REF NO.	PART NO	PAGE	REF NO.	PART NO	PAGE	REF NO.
23006901	18	6	23026206	34	9	B1416526000	8	26
23007107	18	13·16	23026404	34	13	B1417526000	8	39
23007206	18	13·16	23027063	34	3	B1418526000	8	38
23007305	20	25	23028707	24	14	B1419526000	8	40
23007404	2	3	23029002	34	5	B14205260A0	8	29
23007503	40	3	23029051	34	1	B1423526000	8	41
23007602	40	4	23029069	34	4	B1425526000	8	27
23008006	4	20	23029101	34	7	B1425526000	40	22
23008055	4	19	23029200	34	10	B1427526000	8	13
23008105	24	20	A321600100A	36	10	B14295260A0	8	33
23008303	16	4	B1114517000	2	40	B1431526000	8	8
23009509	22	55	B1129051000	2	7	B1431528000	8	14
23009756	36	3	B1129521000	2	5	B1432528000	8	15
23009764	36	1	B1140526000	2	8	B1434528000	8	2
23010101	4	5	B1148141H00	36	12	B14345280A0	8	1
23010259	10	48	B1150141H0AA	2	2	B1435526000	8	6
23010267	8	46	B1202512000	4	4	B1436526000	8	7
23010275	8	16	B1203512000	4	21	B1437051000	16	12
23010309	8	31	B1206051000	4	16	B1437526000	8	5
23010408	16	2	B1210526000	4	17	B143752600A	8	4
23010507	10	56	B1214019000	4	34	B1438526000	8	3
23010606	18	12	B1305055000A	4	38	B1439528000	8	11
23012602	42	11·17	B1307055000	4	39	B1440526000	12	2
23012701	42	11·17	B1308055000	4	40	B14405260A0	12	1
23012859	42	1	B1309055000	4	41	B1441526000	12	4
23012909	42	2	B1310055000	4	42	B1442526000	12	6
23013006	42	3	B1313055000	4	45	B144352600A	12	7
23013105	42	4	B1314055000	4	46	B14455260AA	12	12
23014608	38	12	B1401526000	8	18	B1447526000	12	10
23015001	40	1	B14015260A0	8	17	B1448526000	14	52
23016900	40	2	B1403526000	40	26	B1449526000	14	51
23018609	40	9	B1404526000	8	19	B1450057000	4	32
23018658	40	8	B1405526000	8	20	B1450526000	8	42
23019409	40	10	B1406526000	8	21	B1451526000	8	37
23020209	40	12	B1407526000	8	22	B145352600A	10	51~53
23021306	40	24	B1408526000	4	15	B145352600B	10	51~53
23021355	40	23	B1409526000	8	23	B145352600C	10	51~53
23022205	24	11	B1410526000	8	28	B1455053000	18	2
23022452	12	18	B1410771000	16	7	B1455526000	8	9
23023856	40	17	B14125260A0	8	24	B1461245000	18	17
23025000	34	2	B1414232000	16	8~10	B1462053000	18	38
23025307	34	11	B141423200A	16	8~10	B1468053000	18	11
23025802	34	6	B141423200B	16	8~10	B1501141H00	18	34
23025901	34	12	B1414555000	18	9	B1509141H00	18	29
23026107	34	8	B1415526000	8	25	B1510141H00	18	31

NUMERICAL INDEX OF PARTS

PART NO	PAGE	REF NO.	PART NO	PAGE	REF NO.	PART NO	PAGE	REF NO.
B1510526000A	10	50	B8213012000	42	12	GAK33011000	26	7
B1513280000	20	17	B9101552000	44	1	GAK33011000	30	7
B152989000CA	36	8	B9110012000	44	2~4	GAK33012000	26	9
B1604012000A	20	19	B9111012000	44	2~4	GAK33012000	30	9
B1610512000	20	20	B9113012000	44	5-6	GAK33013000	26	8
B162438000A	20	35	B9121012000	42	22	GAK33013000	30	8
B1633470000	20	16	B91212200A0	44	9	GAK33014000	26	14
B1636581B00	20	23	B9141372000	44	7	GAK33014000	30	14
B1639051000	6	48	B9143372000	44	5-6	GAK33024000	26	26
B1653470000	20	21	BP800000000	38	4	GAK33024000	30	26
B1802563000A	24	2	BT0600401EB	28	49	GAK33027000	26	19
B1807512000	24	4	BT0600401EB	32	50	GAK33027000	30	19
B1816512000	24	5	BT0630520Z0	42	28	GAK33028000	26	20
B1906526000	4	6	CM300200001	2	17	GAK33028000	30	20
B1907526000	4	8	CM3002000B1	2	16	GAK33035000	26	6
B3120125000	12	35	CM300200101	2	18-19	GAK33035000	30	6
B3125012000	12	37	CM3002001A1	2	18-19	GAK81007000	26	40
B3125527000	12	38	CQ200000000	24	29	GAK81008000	26	41
B3126051000	12	32	CQ202000000	4	9	GAK81009000	26	42
B3127051000	12	21	CQ202000000	16	11	GAK88040000	26	38
B3127527000	12	22	CQ202000000	20	45	GAK88040000	30	38
B3128051000	12	19	CQ202000000	38	7	GAKA1401000	30	40
B3128527000	12	45	CQ252000000	4	7	GAKA14010A0	30	39
B3129053000	12	34	CQ252000000	8	34	GAKA14020A0	32	51
B3132051000	12	33	CQ303000000	4	18	GAKA14030A0	30	42
B3134521000	12	23	CS1021211SH	20	36	GAKA16010A0	26	1
B31375270A0	12	46	D1454055B00	18	8	GAKA16010A0	30	1
B3138512000	2	42	D1455055B00	18	7	GAKA16020A0	26	16
B3138527000	12	43	D1456055B00	18	21	GAKA16020A0	30	16
B3139527000	12	47	D1462241E00	18	18	GAKA16020B0	26	17
B3141527000	12	39	D1463241E00	18	19	GAKA16020B0	30	17
B3142527000	14	48	D3168555H0B	12	29	GAKA16030A0	26	2
B3143527000	14	49	D3168555H0B	36	27	GAKA16030A0	30	2
B3205210000	36	11	D8204555D00	42	31	GAKA1604000	26	4
B3213205000	36	18	D8232141E00	42	5	GAKA1604000	30	4
B3214047000	12	28	EA9500B0000	38	13	GAKA1605000	26	5
B3214047000	36	28	EA9500B0200	28	54	GAKA1605000	30	5
B3216047000	36	26	EA9502B0500	38	5	GAKA1606000	26	18
B3508512000	38	6	F1021003000	28	58	GAKA1606000	30	18
B3526226000	38	3	GAK29007000	30	41	GAKA16070A0	26	34
B3538112000	32	52	GAK29009000	30	44	GAKA16070A0	30	34
B8112220000	42	21	GAK29010000	30	45	GAKA16080A0	26	39
B8202205000	42	19	GAK29011000	30	43	MAT80110L00	2	33
B8206012000	42	13	GAK29015000	30	46	MC321001400	10	55
B8209012000	42	14	GAK29016000	30	47	MC321001402	44	10

NUMERICAL INDEX OF PARTS

PART NO	PAGE	REF NO.	PART NO	PAGE	REF NO.	PART NO	PAGE	REF NO.
NM6030001SC	42	24	RE0800000K0	18	26	SS4110815SP	22	62
NM6040001SC	28	61	RE1200000K0	6	60	SS5060310SP	40	27
NM6050001SP	12	8	RO074240100	20	41	SS5110810SP	40	5
NM6050550SD	12	3	RO092270200	36	15	SS6090540SP	8	45
NM6080001SE	26	12	SB120000200	4	13	SS6090620SP	36	21
NM6080001SE	30	12	SD0450401SP	8	44	SS6090620SP	40	6
NS6110310SP	12	25	SD0470281SP	12	24	SS6092120SP	10	59
NS6110310SP	36	25	SD0601171SP	14	53	SS6110430TP	12	13
NS6110310SP	38	10	SD0640322TP	6	55	SS6110480SP	2	14
NS6110530SP	18	27	SD0720331SP	26	37	SS6110480SP	26	27
NS6150310SP	16	19	SD0720331SP	30	37	SS6110480SP	30	27
NS6150310SP	22	70	SD0790361SP	26	33	SS6110520TP	16	20
NS6150310SP	26	29	SD0790361SP	30	33	SS6110610TP	42	9
NS6150310SP	30	29	SD0790601SP	22	56	SS6110710SP	22	60
NS6620310SP	2	41	SD0800422CP	20	44	SS6111010SP	12	9
NS6620310SP	12	16	SD0800481SP	18	37	SS6121030SP	36	17
NS6680320SP	16	17	SD0900701TP	16	16	SS6121050SP	22	63
NS6680320SP	22	69	SD0900701TP	20	43	SS6121210TP	30	10
PA400200200	26	3	SK3241601SC	42	27	SS6121212TP	26	23
PA400200200	30	3	SK3311600SE	42	32	SS6121212TP	30	23
PC012601000	28	53	SK3482500SC	32	56	SS6121610TP	16	22
PF0552100A0	28	56	SK3513200SC	28	55	SS6121610TP	22	61
PH0300062C0	24	26	SK3513200SC	42	34	SS6621210SP	12	17
PJ046059002	26	47	SL4030691SC	32	55	SS6661110SP	6	49
PJ301060504	28	48	SL4041091SC	26	44	SS6661110SP	22	64
PJ301065104	26	15	SL4041291SC	28	59	SS7080520SP	2	13
PJ301065104	30	15	SM3031401SE	42	23	SS7090520SP	2	31
PJ304065201	28	57	SM4032501SB	32	54	SS7090520SP	12	42
PS0200182KR	2	12	SM4061001SB	32	53	SS7090530SP	26	36
PS0400222K0	10	49	SM6040552TP	40	16	SS7090530SP	30	36
PS0500142KP	2	44	SM6040802TP	24	23	SS7090620TP	8	12
PS060024100	38	11	SM6061602TP	22	53	SS7090710SP	22	52
PS0600562KP	12	15	SM6061602TP	24	21	SS7091110TP	18	39
PT0302000S0	16	3	SM6081802TP	26	13	SS7091110TP	40	11
PV010502000	26	46	SM6081802TP	30	13	SS7110410SP	40	13
PX020002000	26	45	SM8050502TP	22	68	SS7110510SP	22	66
RC0560711KP	36	13	SM8050502TP	26	11	SS7110510SP	42	8
RC0740811KP	20	31	SM8050502TP	30	11	SS7110710SP	2	34
RE0500000K0	6	53	SM8060802TP	6	61	SS7110710SP	14	54
RE0500000K0	22	71	SM8061002TP	4	22	SS7110710SP	22	65
RE0500000K0	36	14	SM9061850SC	26	43	SS7110710SP	38	9
RE0500711KP	20	42	SS1092810SP	34	16	SS7110740TP	12	11
RE0700000K0	8	36	SS2090710SP	2	37	SS7110840SP	18	24
RE0700000K0	26	25	SS2090810SP	40	7	SS7110910SP	2	43
RE0700000K0	30	25	SS3090610SP	2	38	SS7110910SP	10	57

NUMERICAL INDEX OF PARTS

PART NO	PAGE	REF NO.	PART NO	PAGE	REF NO.
SS7110910SP	18	23	SS9161610SP	18	22
SS7110910SP	22	59	TA1250406R0	2	46
SS7111140SP	38	8	TA1250504R0	2	28
SS7111310SP	18	36	TA1270502R0	2	26
SS7111310TP	8	30	TA2100904R0	2	22
SS7111310TP	22	67	TA2351004R0	2	45
SS7120760SP	4	23	WP0320501SC	42	26
SS7621040SP	18	25	WP0370316SD	18	40
SS7621040SP	36	16	WP0371026SD	10	54
SS7681750TP	4	56	WP0430801SC	28	60
SS7681750TP	6	56	WP0450801SP	14	50
SS8080310SP	8	47	WP0480856SP	8	43
SS8080660TP	40	25	WP0482086SD	18	20
SS8090410SP	6	57	WP0621016SD	20	13
SS8090410TP	8	10	WP0650876SD	16	23
SS8110422TP	36	7	WP0651056SD	22	54
SS8110750SP	8	32	WP0651056SD	24	22
SS8111010TP	8	35	WP1021016SD	26	24
SS8111610SP	36	19	WP1021016SD	30	24
SS8150510TP	6	62			
SS8150710SP	24	24			
SS8150710TP	24	28			
SS8150760TP	4	31			
SS8150822TP	4	30			
SS8150912TH	4	29			
SS8151150SP	22	57			
SS8151150SP	24	8			
SS8151230SP	6	58			
SS8151230SP	10	60			
SS8151550SP	4	10			
SS8660530TP	24	25			
SS8660610TP	4	33			
SS8660610TP	20	40			
SS8660810TP	20	15			
SS8660810TP	24	9			
SS8661030SP	4	14			
SS8661040TP	22	72			
SS8680540SP	4	27			
SS8680730SP	4	28			
SS8681650TP	4	26			
SS8681950SP	6	59			
SS9111010SP	2	32			
SS9151160CP	26	28			
SS9151160CP	30	28			
SS9151440CP	20	12			