

MODEL : PLC-1660/PLC-1660-7/PLC-1660L

List No : 1181-04

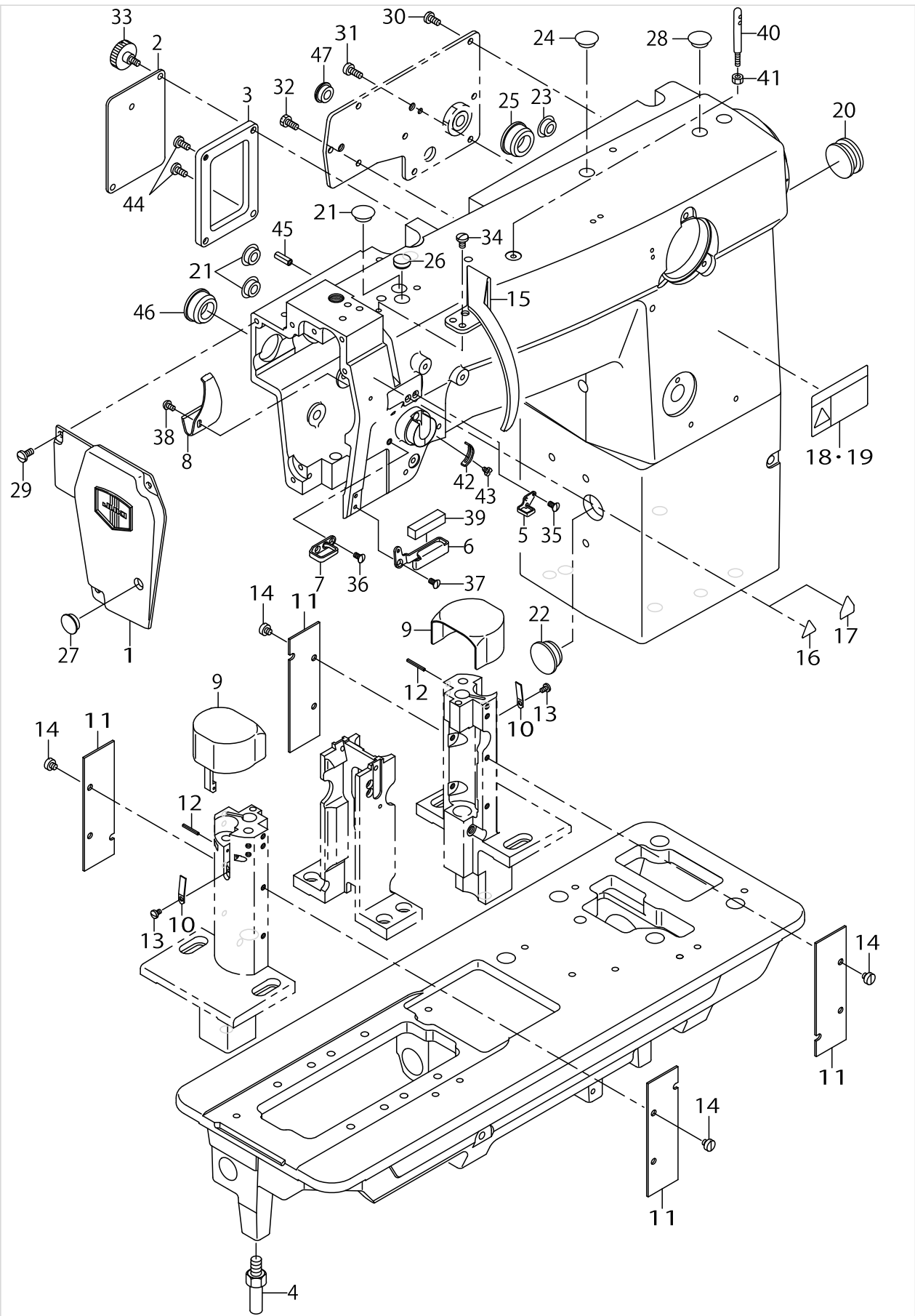
PARTS LIST

Published:09/22/2017

CONTENTS

FRAME & MISCELLANEOUS COVER COMPONENTS	1
MAIN SHAFT,HOOK DRIVING SHAFT DELIVERY & THREAD TAKE-UP LEVER COMPONENTS.....	3
NEEDLE BAR ROCKING COMPONENTS	7
PRESSURE ADJUSTING & UPPER FEED MECHANISM COMPONENTS.....	9
FEED MECHANISM COMPONENTS.....	11
HOOK SHAFT & HOOK DRIVING SHAFT COMPONENTS.....	15
HOOK COMPONENTS.....	17
THREAD TRIMMER MECHANISM COMPONENTS(FOR PLC-1660-7).....	19
AUTOMATIC REVERSE FEED MECHANISM COMPONENTS	23
THREAD TENSION COMPONENTS(FOR PLC-1660-7)	25
THREAD TENSION COMPONENTS(FOR PLC-1660)	27
THREAD TENSION COMPONENTS(FOR PLC-1660L)	29
LOWER THREAD WINDER MECHANISM COMPONENTS	31
PRESSER LIFTING SOLENOID COMPONENTS(FOR AK-131A).....	33
PRESSER LIFTING SOLENOID COMPONENTS(FOR AK-131B).....	37
LUBRICATION COMPONENTS	41
GAUGE COMPONENTS(STANDARD PARTS).....	43
TABLE AND STAND& BELT COVER COMPONENTS	45
EXCLUSIVE PARTS FOR PLC-1660-7	47
ACCESSORIES PARTS COMPONENTS	49
TABLE OF EXCHANGING GAUGE PARTS.....	51
LIST FOR INFORMATION OF CHANGE.....	55
HOW TO MAKE USE OF THIS PARTS LIST	56

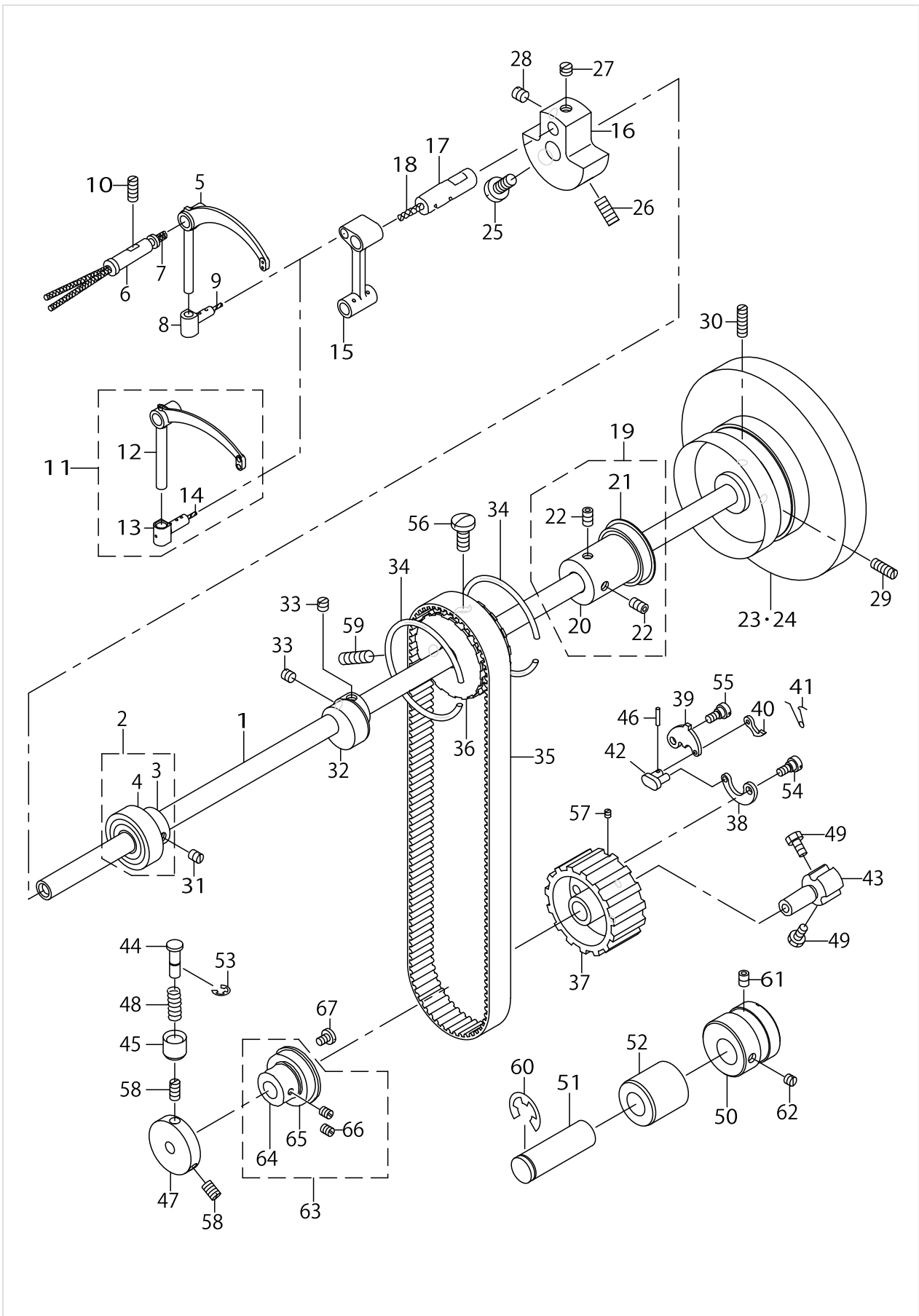
FRAME & MISCELLANEOUS COVER COMPONENTS



FRAME & MISCELLANEOUS COVER COMPONENTS

No.	Parts No.	Parts name	Remarks	Level	Cons	Qty
1	10301950	FACE PLATE ASM.				1
2	40032259	SIDE COVER				1
3	23007404	SIDE PLATE SPACER				1
4	22602601	BED SCREW STUD				4
5	B1129521000	THREAD GUIDE, UPPER				1
6	10774008	FELT THREAD GUIDE				1
7	B1129051000	FRAME THREAD GUIDE, UPPER				1
8	B1140526000	TAKE-UP OIL SPLASHER				1
9	23000656	HOOK COVER ASM.				2
10	23000805	HOOK COVER SPRING				2
11	23000904	HOOK SHAFT SADDLE COVER				4
12	PS0200182KR	SPRING PIN 2X18				2
13	SS7080520SP	SCREW 1/8-44 L=4.9				2
14	SS6110480SP	SCREW 11/64-40 L=4.3				8
15	10439008	THREAD TAKE-UP LEVER COVER(JE)				1
16	CM3002000B1	LABEL(16)	FOR USE IN JAPAN			1
17	CM300200001	ATTENTION SEAL	FOR JE			1
18	CM300200101	SAFETY LABEL, 1(SMALL).	FOR USE IN JAPAN			1
19	CM3002001A1	SAFETY LABEL..3 (SMALL).	FOR EXPORT			1
20	10201200	RUBBER PLUG				1
21	TA1250504R0	RUBBER PLUG				3
22	TA2100904R0	RUBBER PLUG				1
23	TA1250504R0	RUBBER PLUG				1
24	TA1250504R0	RUBBER PLUG				1
25	TA2351004R0	RUBBER PLUG				1
26	TA1270502R0	RUBBER PLUG				1
27	TA1250406R0	RUBBER PLUG D=12.5 L=4				1
28	TA1250504R0	RUBBER PLUG				1
29	SS7110910SP	SCREW 11/64-40 L=8.5				3
30	SS7110910SP	SCREW 11/64-40 L=8.5				5
31	SS6111140SP	SCREW 11/64-40 L=11	FOR PLC-1660-7			1
32	SS9111010SP	SCREW 11/64-40 L=9.5				1
33	MAT80110L00	CLAMP SCREW				2
34	SS7110710SP	SCREW 11/64-40 L=7				1
35	SS2090520SL	SCREW 9/64-40 L=5				2
36	SS2090520SL	SCREW 9/64-40 L=5				2
37	SS2090520SL	SCREW 9/64-40 L=5				1
38	SS3090610SP	SCREW 9/64-40 L=6				1
39	22603708	FELT				1
40	B1114517000	NEEDLE THREAD GUIDE PIN				1
41	NS6620310SP	NUT 3/16-32				1
42	B3138512000	TAKE-UP SPRING ADJUSTING PLATE				1
43	SS7090520SP	SCREW 9/64-40 L= 4.5				1
44	SS7110910SP	SCREW 11/64-40 L=8.5				2
45	PS0500142KP	SPRING PIN				1
46	TA2351004R0	RUBBER PLUG				1
47	TA1250406R0	RUBBER PLUG D=12.5 L=4				1

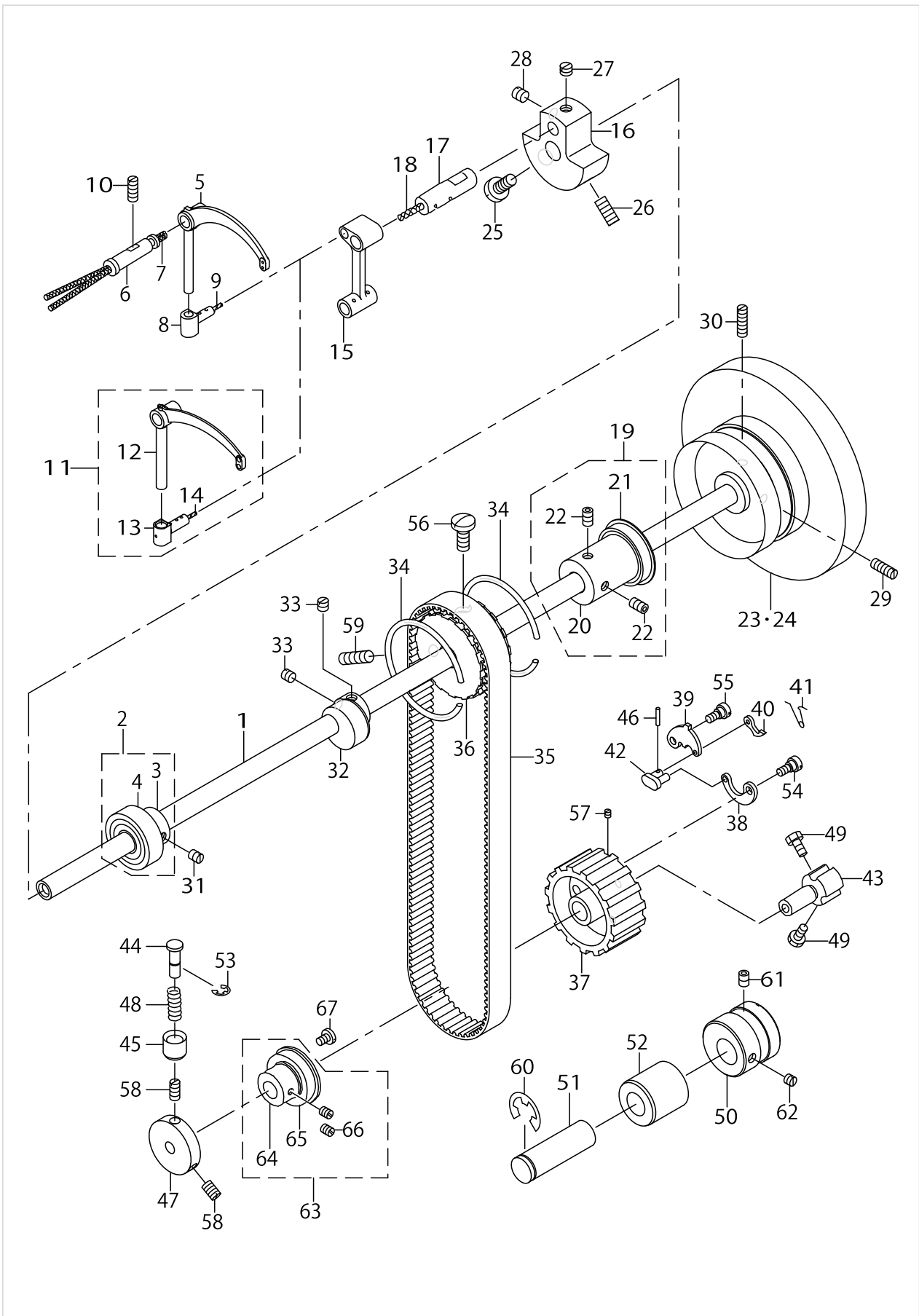
MAIN SHAFT, HOOK DRIVING SHAFT DELIVERY & THREAD TAKE-UP LEVER COMPONENTS



MAIN SHAFT,HOOK DRIVING SHAFT DELIVERY & THREAD TAKE-UP LEVER COMPONENTS

No.	Parts No.	Parts name	Remarks	Level	Cons	Qty
1	10305001	MAIN SHAFT				1
2	10305159	MAIN SHAFT BUSHING, FRONT				1
3	10305100	MAIN SHAFT BUSHING, FRONT		*		1
4	B1202512000	MAIN SHAFT BUSHING, FRONT		*		1
5	23001001	THREAD TAKE-UP LEVER				1
6	B1906051000	TAKE-UP LEVER PIN				1
7	CQ200000000	OIL WICK				0.2
8	B1907526000	TAKE-UP LEVER THRUST PIN				1
9	CQ252000000	OIL WICK				0.03
10	SS8151550SP	SCREW 15/64-28 L=15				1
11	B19055200A0	THREAD TAKE-UP LEVER	FOR PLC-1660L			1
12	B1905520000	THREAD TAKE-UP LEVER		*		1
13	B1907057000	THRUST PIN		*		1
14	CQ202000000	OIL WICK		*		0.02
15	B1408051000	NEEDLE BAR CRANK ROD				1
16	B1206051000	COUNTERWEIGHT				1
17	B1210051000	NEEDLE BAR CRANK PIN				1
18	CQ303000000	OIL WICK				0.06
19	23008055	MAIN SHAFT THRUST COLLAR ASM.				1
20	23008006	MAIN SHAFT THRUST COLLAR		*		1
21	B1203512000	BUSHING, REAR		*		1
22	SM8061002TP	SCREW M6 L=10		*		2
23	23001100	HAND WHEEL				1
24	23001209	HAND WHEEL	FOR PLC-1660L			1
25	SS7681750TP	SCREW 9/32-28 L=16.5				1
26	SS8681650TP	SCREW 9/32-28 L=16				1
27	SS8680540SP	SCREW 9/32-28 L= 4.5				1
28	SS8680730SP	SCREW 9/32-28 L=7				1
29	SS8150912TH	SCREW 15/64-28 L=9				1
30	SS8150822TP	SCREW 15/64-28 L=8				1
31	SS8150760TP	SCREW 15/64-28 L=7.0				1
32	B1450057000	ADJUSTING FEED ECCENTRIC				1
33	SS8660610TP	SCREW 1/4-40 L=6				2
34	B1214019000	SPROCKET RING				2
35	23001308	TIMING BELT				1
36	23001407	UPPER SPROCKET				1
37	23001506	SPROCKET WHEEL				1
38	B1305055000A	SAFETY CLUTCH SPRING				1
39	B1307055000	SAFETY CLUTCH HOOK				1
40	B1308055000	SAFETY CLUTCH COUNTER-HOOK				1
41	B1309055000	COUNTER-HOOK SPRING				1
42	B1310055000	SAFETY CLUTCH SMALL LINK				1
43	10503605	SAFETY BASE				1
44	23001605	SAFETY CLUTCH				1
45	B1313055000	SAFETY CLUTCH KNOB SLEEVE				1
46	B1314055000	SAFETY CLUTCH SMALL LINK PIN				1
47	23001704	SAFETY CLUTCH DISK				1

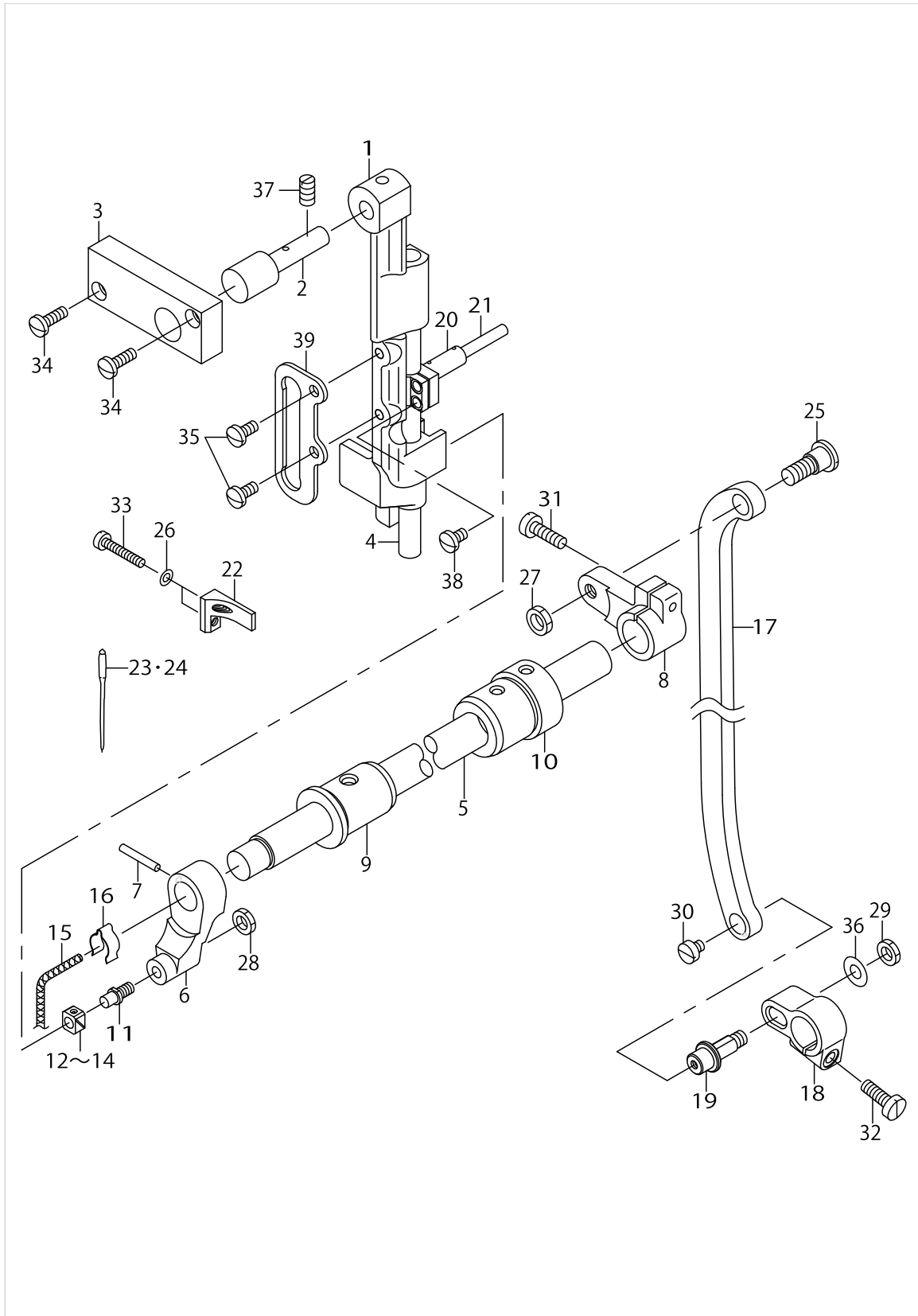
MAIN SHAFT, HOOK DRIVING SHAFT DELIVERY & THREAD TAKE-UP LEVER COMPONENTS



MAIN SHAFT,HOOK DRIVING SHAFT DELIVERY & THREAD TAKE-UP LEVER COMPONENTS

No.	Parts No.	Parts name	Remarks	Level	Cons	Qty
48	B1639051000	SPRING				1
49	SS6661110SP	SCREW 1/4-40 L=11				2
50	23001803	IDLER BUSH				1
51	23001902	IDLER SHAFT				1
52	22603906	UPPER SHAFT INNER METAL				1
53	RE0500000K0	E-RING				1
54	SD0640322TP	HINGE SCREW D= 6.35 H= 3.2				1
55	SD0640322TP	HINGE SCREW D= 6.35 H= 3.2				1
56	SS7681750TP	SCREW 9/32-28 L=16.5				1
57	SS8090410SP	SCREW 9/64-40 L= 3.5				1
58	SS8151230SP	SCREW 15/64-28 L=12				2
59	SS8681950SP	SCREW 9/32-28 L=19				1
60	RE1200000K0	E-RING 12				1
61	SM8060802TP	SCREW M6 L=8				1
62	SS8150510TP	SCREW 15/64-28 L= 4.7				1
63	22611651	THRUST COLLAR ASM., B				1
64	22611602	THRUST COLLAR, B		*		1
65	SB120000200	BEARING 20X42		*		1
66	SS8661030SP	SCREW 1/4-40 L=10		*		2
67	SS7120760SP	SCREW 3/16-28 L= 7.0				2

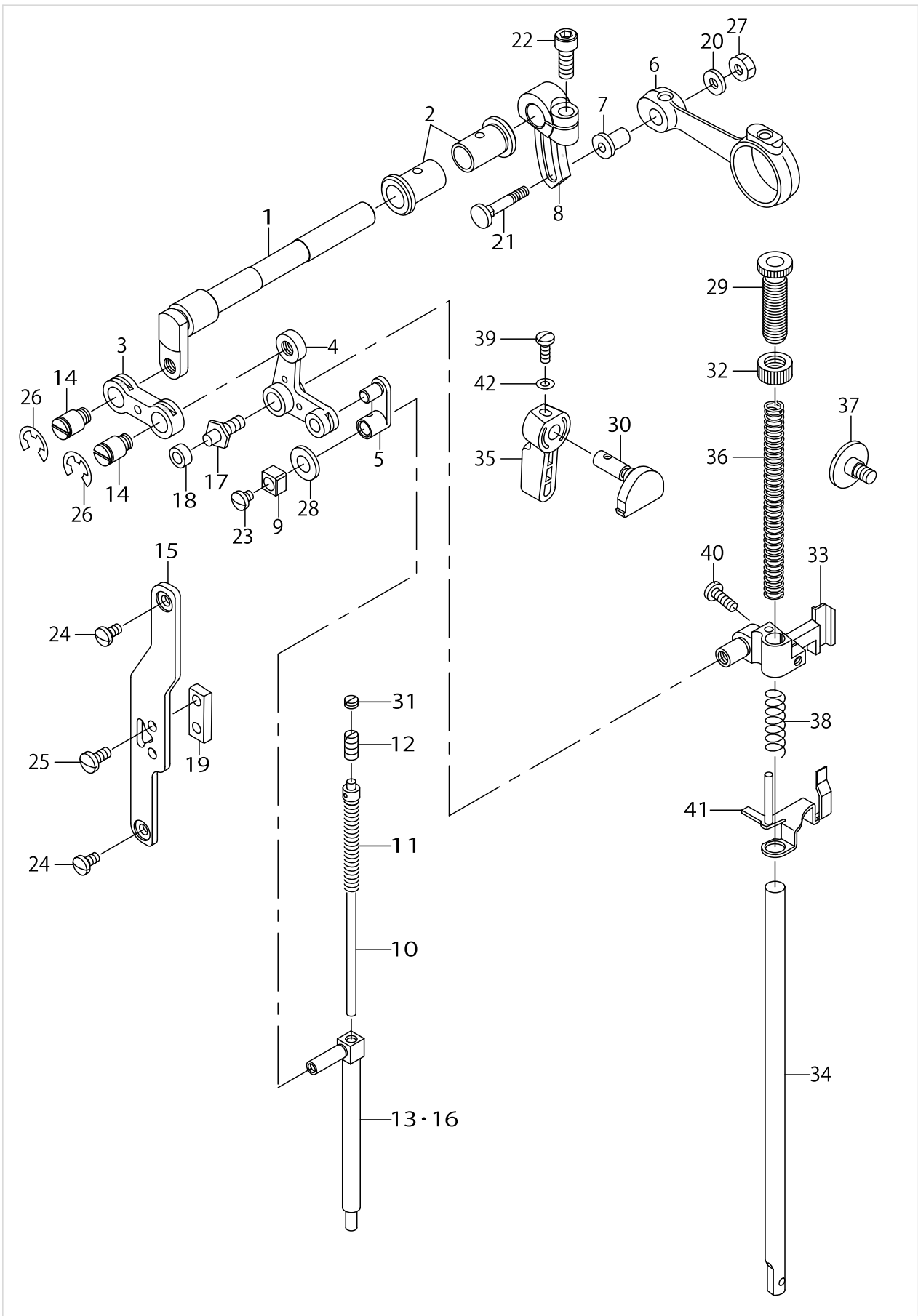
NEEDLE BAR ROCKING COMPONENTS



NEEDLE BAR ROCKING COMPONENTS

No.	Parts No.	Parts name	Remarks	Level	Cons	Qty
1	40016538	NEEDLE BAR FRAME				1
2	10308203	NEEDLE BAR FRAME SHAFT ASM.				1
3	10301307	NEEDLE BAR FRAME SHAFT BASE				1
4	23002108	NEEDLE BAR				1
5	10204709	NEEDLE BAR FRAME ROCK SHAFT				1
6	23002207	ROCK SHAFT FRONT CRANK				1
7	PT0302000S0	TAPERED PIN 3.0X20				1
8	23008303	OCK SHAFT REAR CRANK				1
9	23002306	ROCK SHAFT FRONT BUSHING				1
10	23002405	ROCK SHAFT REAR BUSHING				1
11	B1410771000	STUD				1
12	B1414232000	SQUARE BLOCK	SELECTIVE PARTS			1
13	B141423200A	CRANK SLIDE BLOCK	SELECTIVE PARTS			1
14	B141423200B	GUIDE ROLLER	SELECTIVE PARTS			1
15	CQ202000000	OIL WICK				0.12
16	B1437051000	OIL WICK RETAINER				1
17	23002504	NEEDLE BAR FRAME ROD				1
18	23002603	ROCK SHAFT CRANK				1
19	23002702	CONNECTING STUD				1
20	B1411057000	NEEDLE BAR CONNECTION				1
21	B1412051000	FELT				1
22	23004104	FEED LEVER SUPPORT				1
23	MC321001400	NEEDLE 134-35 #140				2
24	MC321001800	NEEDLE 134-35 #180	FOR PLC-1660L			2
25	SD0900701TP	HINGE SCREW D= 9 H= 7				1
26	WP0371026SD	WASHER 3.7X7X1				2
27	NS6680320SP	NUT 9/32-28				1
28	NS6150310SP	NUT 15/64-28				1
29	NS6150310SP	NUT 15/64-28				1
30	SS6110520TP	SCREW 11/64-40 L=4.5				1
31	SS6121610TP	SCREW 3/16-28 L=15.5				1
32	SS6121610TP	SCREW 3/16-28 L=15.5				1
33	SS6092120SP	SCREW 9/64-40 L=21.2				2
34	SS7111310TP	SCREW 11/64-40 L=12.8				2
35	SS7110910SP	SCREW 11/64-40 L=8.5				2
36	WP0650876SD	WASHER 6.5X13X0.8				1
37	SS8150920SP	SET-SCREW				1
38	SS7110720SP	SCREW 11/64-40 L=7				2
39	23007008	WALKING BAR GUIDE				1

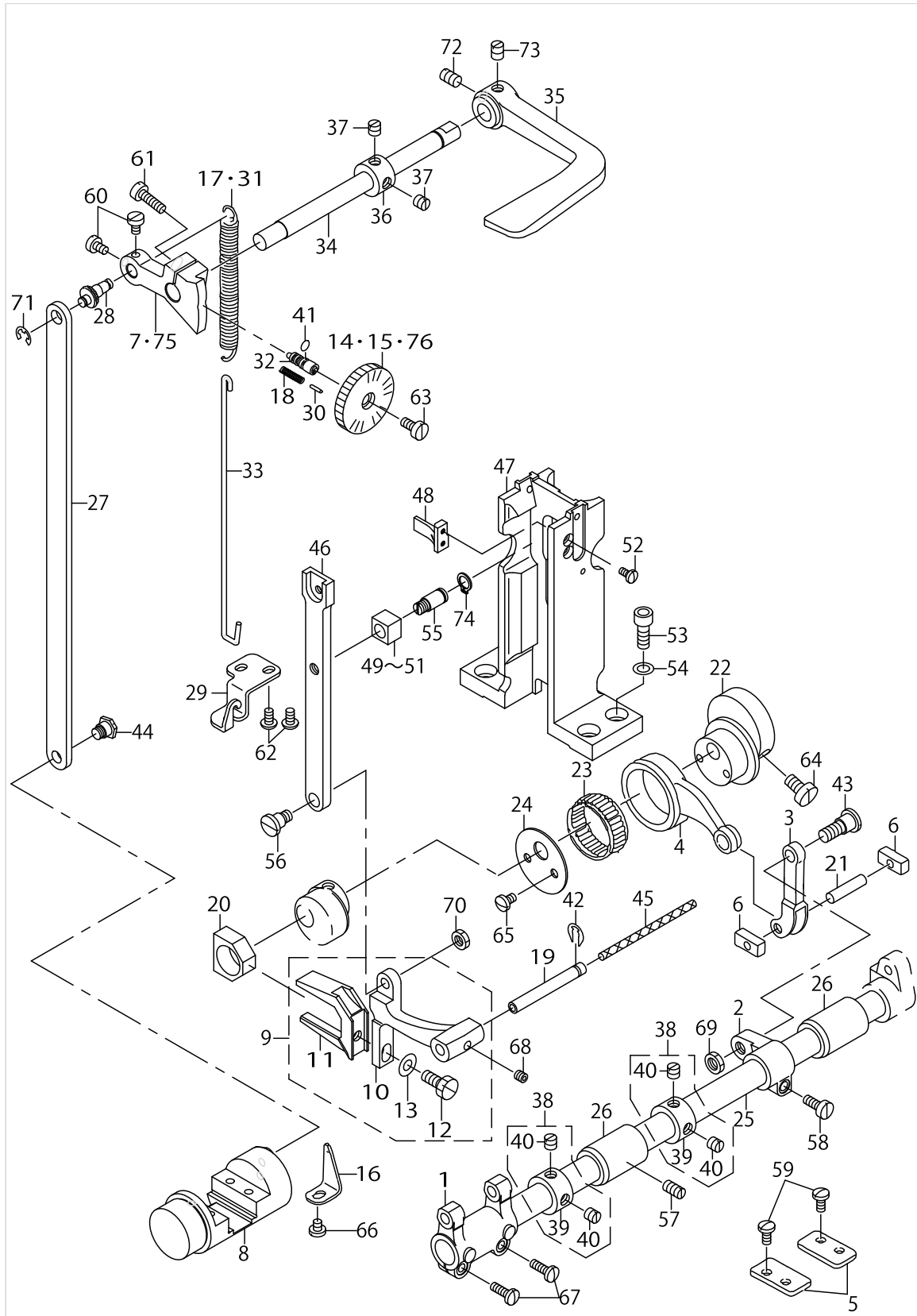
PRESSURE ADJUSTING & UPPER FEED MECHANISM COMPONENTS



PRESSURE ADJUSTING & UPPER FEED MECHANISM COMPONENTS

No.	Parts No.	Parts name	Remarks	Level	Cons	Qty
1	23006505	UPPER FEED DRIVING SHAFT				1
2	B1455053000	BUSHING				2
3	23006604	CONNECTING LINK				1
4	23006703	L SHAPED LINK				1
5	23006802	WALKING BAR DRIVING LINK				1
6	23006901	UPPER FEED DRIVING ROD				1
7	D1455055B00	CONNECTING STUD				1
8	D1454055B00	UPPER FEED SPRING ROD				1
9	B1414555000	SLIDE BLOCK				1
10	B14670530A0	WALKING BAR ASM.				1
11	B1468053000	WALKING BAR SPRING				1
12	SS8151550SP	SCREW 15/64-28 L=15				1
13	23007107	WALKING BAR				1
14	21048707	HINGE SCREW				2
15	23003007	GUIDE PLATE				1
16	23007206	WALKING BAR	OPTIONAL PARTS			1
17	B1461245000	GUIDE SHAFT HINGE SCREW				1
18	D1462241E00	CONNECTING PIN ROLLER				1
19	D1463241E00	PRESSER BAR BRACKET GUIDE				1
20	WP0482086SD	WASHER 4.8X11.5X2				1
21	D1456055B00	HINGE SCREW				1
22	23009608	UPPER FEED ARM CLAMP SCREW				1
23	SS7110510SP	SCREW 11/64-40 L=5				1
24	SS7110840SP	SCREW 11/64-40 L=7.8				2
25	SS7621040SP	SCREW 3/16-32 L= 9.5				2
26	RE0800000K0	E-SHAPED SNAP RING (8MM)				2
27	NS6110530SP	NUT 11/64-40				1
28	10509701	FELT				1
29	B1509141H00	PRESSER SPRING REGULATOR				1
30	10310712	HAND LIFTER CAM				1
31	SS8150310SP	SCREW 15/64-28 L= 3.4				1
32	11071701	NUT				1
33	23002801	HAND LIFTER BRACKET				1
34	B1501141H00	PRESSER BAR				1
35	11071800	HAND LIFTER				1
36	B1502246000	PRESSER SPRING				1
37	SD0800481SP	HINGE SCREW D= 8 H= 4.9				1
38	B1462053000	THREAD RELEASE SPRING				1
39	SS7091110TP	SCREW 9/64-40 L=10.5				1
40	SS7111310SP	SCREW 11/64-40 L=12.8				1
41	23002959	THREAD RELEASE GUIDE				1
42	WP0370316SD	WASHER 3.7X8X0.3				1

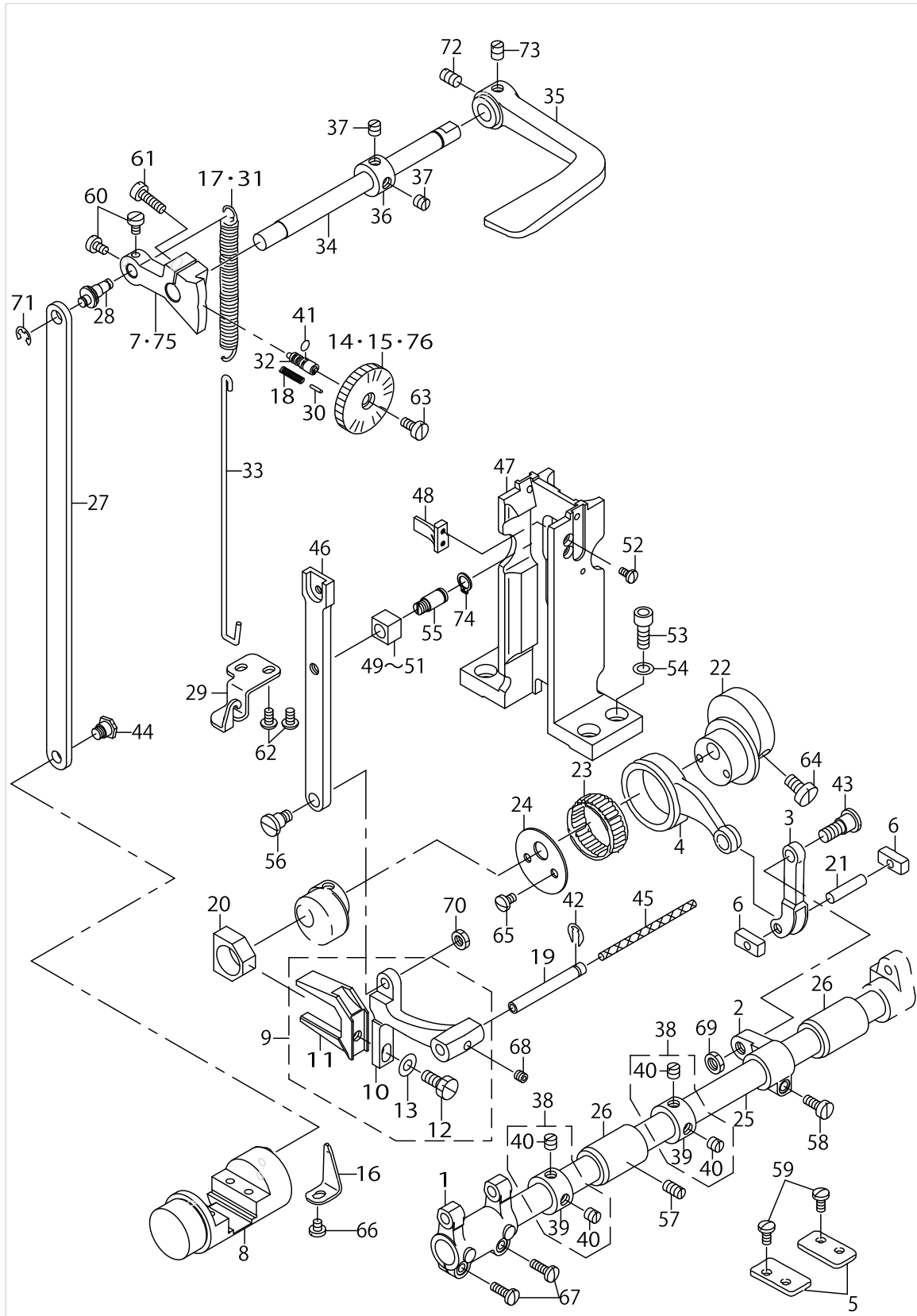
FEED MECHANISM COMPONENTS



FEED MECHANISM COMPONENTS

No.	Parts No.	Parts name	Remarks	Level	Cons	Qty
1	10315000	FEED ROCKER				1
2	10315109	FEED ROCKER SHAFT CRANK				1
3	10315208	FEED ROCK CONNECTING ROD				1
4	22609200	FEED ROCK SHAFT CONNECTING ROD				1
5	10315505	PLATE				2
6	22609606	FEED DRIVING ROCKER BLOCK, S				2
7	23003106	FEED REGULATOR				1
8	23003254	FEED DRIVING ROCKER ASM.				1
9	23003353	FEED BAR ASM.				1
10	23003304	FEED BAR		*		1
11	10107902	FEED BAR FORK		*		1
12	SS9151440CP	SCREW 15/64-28 L=14		*		1
13	WP0621016SD	WASHER 6.2X13X1		*		1
14	23003403	STITCH DIAL				1
15	B16232010AA	STITCH DIAL	FOR PLC-1660L			1
16	B1633470000	STOPPER PLATE				1
17	B1513280000	TENSION SPRING				1
18	22912109	FEED REGULATOR PIN SPRING				1
19	B1604012000A	FEED BAR SHAFT				1
20	B1610512000	FEED DRIVING SLIDE BLOCK				1
21	B1653470000	PIN				1
22	23003601	FEED DRIVE ECCENTRIC CAM				1
23	B1636581B00	NEEDLE BEARING B				1
24	23003700	THRUST COLLAR				1
25	23007305	FEED ROCK SHAFT				1
26	10106102	BUSHING				2
27	23003809	FEED REGULATOR CONNECTING ROD				1
28	22610109	ROD PIN				1
29	22610406	SPRING BRACKET				1
30	10207405	PIN				1
31	21055009	SPRING	FOR PLC-1660L			1
32	10207116	FEED REGULATOR SCREW				1
33	21026307	SPRING HOLDER				1
34	10107506	REVERSE FEED SHAFT	FOR PLC-1660,PLC-1660L			1
35	B162438000A	REVERSE FEED CONTROL LEVER	FOR PLC-1660,PLC-1660L			1
36	CS1021211SH	THRUST COLLAR D=10.2 W=12				1
37	SS8660610TP	SCREW 1/4-40 L=6				2
38	22904155	MAIN SHAFT THRUST COLLAR ASM.				2
39	22904106	MAIN SHAFT THRUST COLLAR		*		2
40	SS8660610TP	SCREW 1/4-40 L=6		*		4
41	RO074240100	RUBBER RING				1
42	RE0500711KP	SNAP RING 5				1
43	SD0900701TP	HINGE SCREW D= 9 H= 7				1
44	SD0800422CP	HINGE SCREW D= 8 H= 4.2				1
45	CQ202000000	OIL WICK				0.1
46	23003908	FEED LEVER				1
47	23004005	FEED LEVER BASE				1

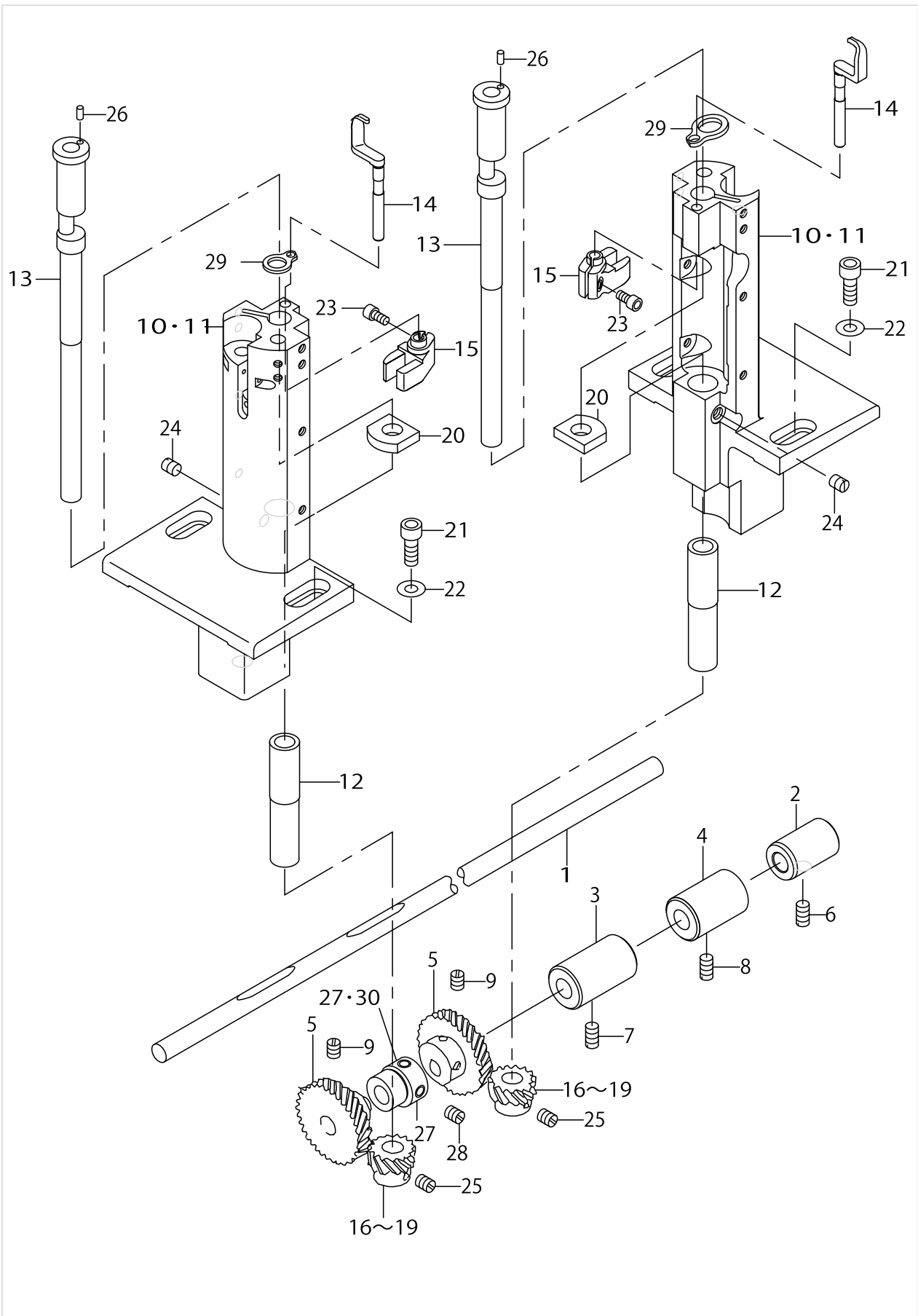
FEED MECHANISM COMPONENTS



FEED MECHANISM COMPONENTS

No.	Parts No.	Parts name	Remarks	Level	Cons	Qty
48	23004104	FEED LEVER SUPPORT				1
49	13516703	SLIDE BLOCK B	SELECTIVE PARTS			1
50	13516604	SLIDE BLOCK A	SELECTIVE PARTS			1
51	13519202	SLIDE BLOCK	SELECTIVE PARTS			1
52	SS7090710SP	SCREW 9/64-40 L= 6.8				2
53	SM6061602TP	SCREW M6 L=16				4
54	WP0651056SD	WASHER 6.5X11X1				4
55	23009509	FEED LEVER SHAFT				1
56	SD0790601SP	HINGE SCREW D=7.94 H=6				1
57	SS8151150SP	SCREW 15/64-28 L=10.5				1
58	SS6121610TP	SCREW 3/16-28 L=15.5				1
59	SS7110910SP	SCREW 11/64-40 L=8.5				4
60	SS6110710SP	SCREW 11/64-40 L=7				2
61	SS6121610TP	SCREW 3/16-28 L=15.5				1
62	SS4110815SP	SCREW 11/64-40 L=8				2
63	SS6121050SP	SCREW 3/16-28 L= 9.5				1
64	SS6661110SP	SCREW 1/4-40 L=11				2
65	SS7110710SP	SCREW 11/64-40 L=7				2
66	SS7110510SP	SCREW 11/64-40 L=5				1
67	SS7111310TP	SCREW 11/64-40 L=12.8				2
68	SM8050502TP	SCREW M5 L=5				1
69	NS6680320SP	NUT 9/32-28				1
70	NS6150310SP	NUT 15/64-28				1
71	RE0500000K0	E-RING				1
72	SS8661040TP	SCREW 1/4-40 L=10	FOR PLC-1660,PLC-1660L			1
73	SS8660810TP	SCREW 1/4-40 L=8	FOR PLC-1660,PLC-1660L			1
74	RC0740811KP	C-RING				1
75	40025467	FEED REGULATOR	FOR PLC-1660-7			1
76	B16231450A0	STITCH DIAL	FOR PLC-1660-7			1

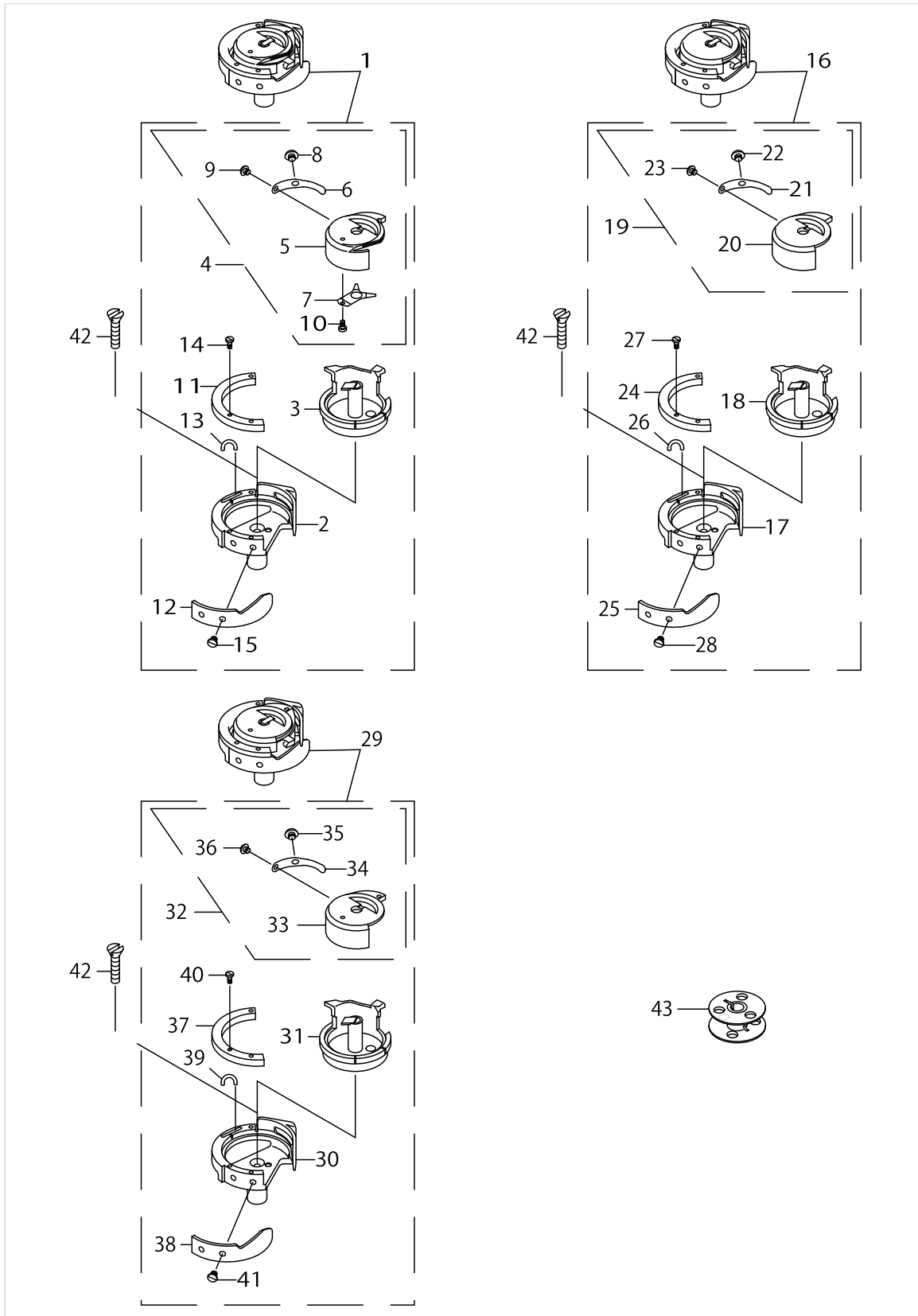
HOOK SHAFT & HOOK DRIVING SHAFT COMPONENTS



HOOK SHAFT & HOOK DRIVING SHAFT COMPONENTS

No.	Parts No.	Parts name	Remarks	Level	Cons	Qty
1	23004203	HOOK DRIVING SHAFT				1
2	21427307	LOWER SHAFT METAL , REAR				1
3	23004302	BUSHING,INTERMEDIATE				1
4	B1807512000	BUSHING B, INTERMEDIATE				1
5	B1816512000	HOOK DRIVING SHAFT, LARGE				1
6	SS8151150SP	SCREW 15/64-28 L=10.5				1
7	SS8151150SP	SCREW 15/64-28 L=10.5				1
8	SS8151150SP	SCREW 15/64-28 L=10.5				1
9	SS8660810TP	SCREW 1/4-40 L=8				4
10	23022106	THREAD CUTTER HOOK SHAFT BASE				2
11	23022205	HOOK SHAFT BASE	FOR PLC-1660,PLC-1660L			2
12	23004500	HOOK SHAFT BASE,LOWER METAL				2
13	23004609	HOOK SHAFT				2
14	23041304	OPENER				2
15	23004906	OPENER GUIDE ARM				2
16	10112001	HOOK SHAFT GEAR, A	SELECTIVE PARTS			2
17	10112100	HOOK SHAFT GEAR, B	SELECTIVE PARTS			2
18	10112209	HOOK SHAFT GEAR, C	SELECTIVE PARTS			2
19	10111904	HOOK SHAFT GEAR	SELECTIVE PARTS			2
20	23008105	LOWER METAL LUBRICATING FELT				2
21	SM6061602TP	SCREW M6 L=16				4
22	WP0651056SD	WASHER 6.5X11X1				4
23	SM6040802TP	SCREW M4X0.7 L=8				2
24	SS8150710SP	SCREW 15/64-28 L=7				2
25	SS8660530TP	SCREW 1/4-40 L= 4.5				6
26	PH0300062C0	PIN				2
27	23003502	VERTICAL FEED CAM				1
28	SS8150710TP	SCREW 15/64-28 L=7				2
29	23004708	HOOK SHAFT SPACER	FOR PLC-1660,PLC-1660L			2
30	23003502	VERTICAL FEED CAM	FOR PLC-1660L			1

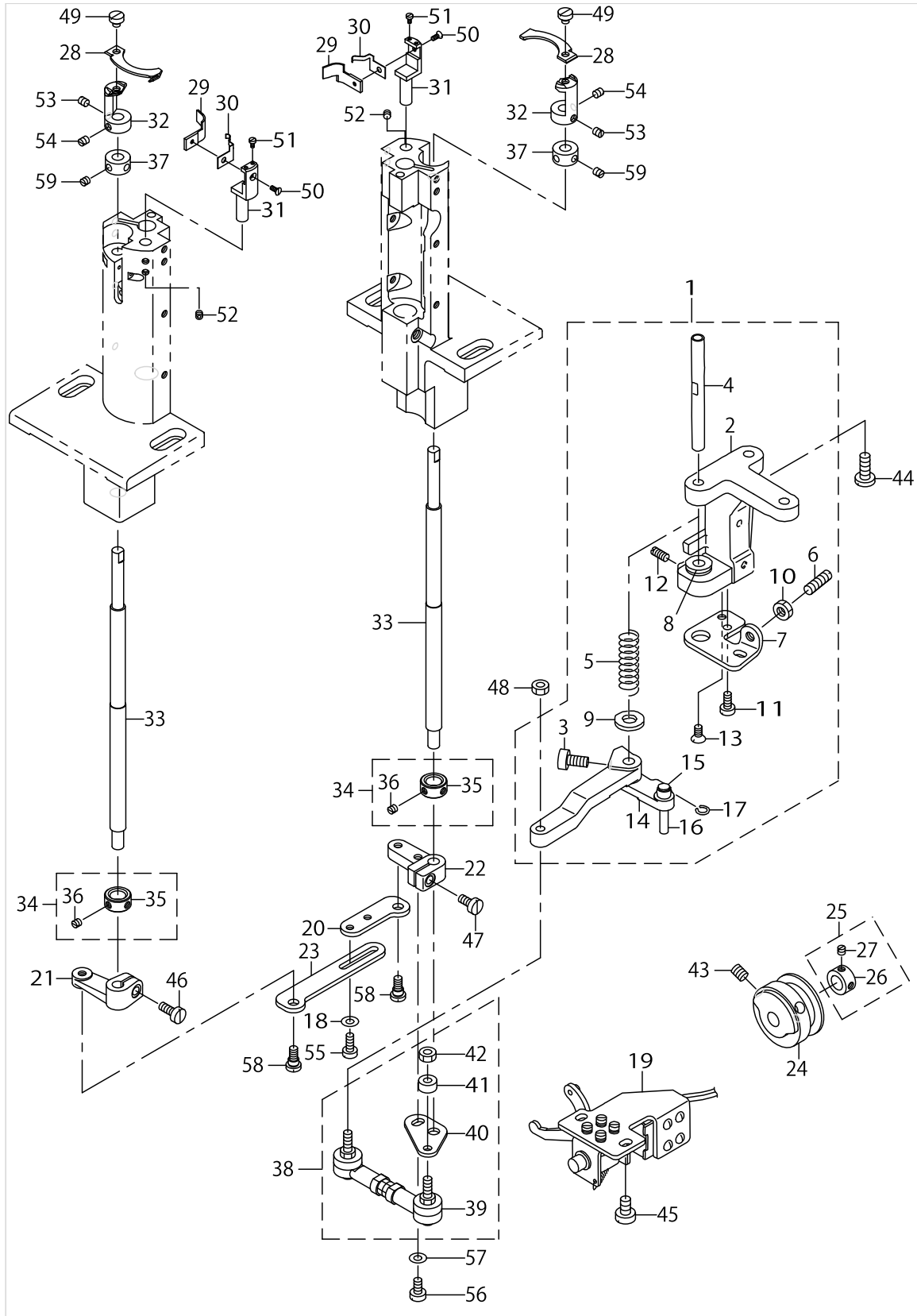
HOOK COMPONENTS



HOOK COMPONENTS

No.	Parts No.	Parts name	Remarks	Level	Cons	Qty
1	23025059	HOOK WITH CAP ASM.	FOR PLC-1660-7			2
2	23025000	HOOK		*		2
3	23025158	INNER HOOK ASM.		*		2
4	23025257	CAP ASM.		*		2
5	23025208	CAP		*		2
6	23025802	TENSION SPRING		*		2
7	23026503	SPRING		*		2
8	23026107	SCREW		*		2
9	23026206	SCREW		*		2
10	23026602	SCREW		*		2
11	23025307	HOLDER		*		2
12	23025901	NEEDLE GUARD		*		2
13	23026404	FELT		*		2
14	10723104	PRESSER SETSCREW		*		6
15	22814008	SCREW		*		4
16	23039159	HOOK WITH CAP ASM.	FOR PLC-1660			2
17	23025000	HOOK		*		2
18	23027063	INNER HOOK ASM.		*		2
19	23027154	CAP ASM.		*		2
20	23027105	CAP		*		2
21	23025802	TENSION SPRING		*		2
22	23026107	SCREW		*		2
23	23026206	SCREW		*		2
24	23025307	HOLDER		*		2
25	23025901	NEEDLE GUARD		*		2
26	23026404	FELT		*		2
27	10723104	PRESSER SETSCREW		*		6
28	22814008	SCREW		*		4
29	23028053	HOOK WITH CAP ASM.	FOR PLC-1660L			2
30	23025000	HOOK		*		2
31	23027063	INNER HOOK ASM.		*		2
32	23028061	CAP ASM.		*		2
33	23028004	CAP		*		2
34	23025802	TENSION SPRING		*		2
35	23026107	SCREW		*		2
36	23026206	SCREW		*		2
37	23025307	HOLDER		*		2
38	23025901	NEEDLE GUARD		*		2
39	23026404	FELT		*		2
40	10723104	PRESSER SETSCREW		*		6
41	22814008	SCREW		*		4
42	SS1092810SP	SCREW 9/64-40 L=25.4				2
43	10759603	ALUMINUM BOBBIN (DOUBLE-CUT)				2

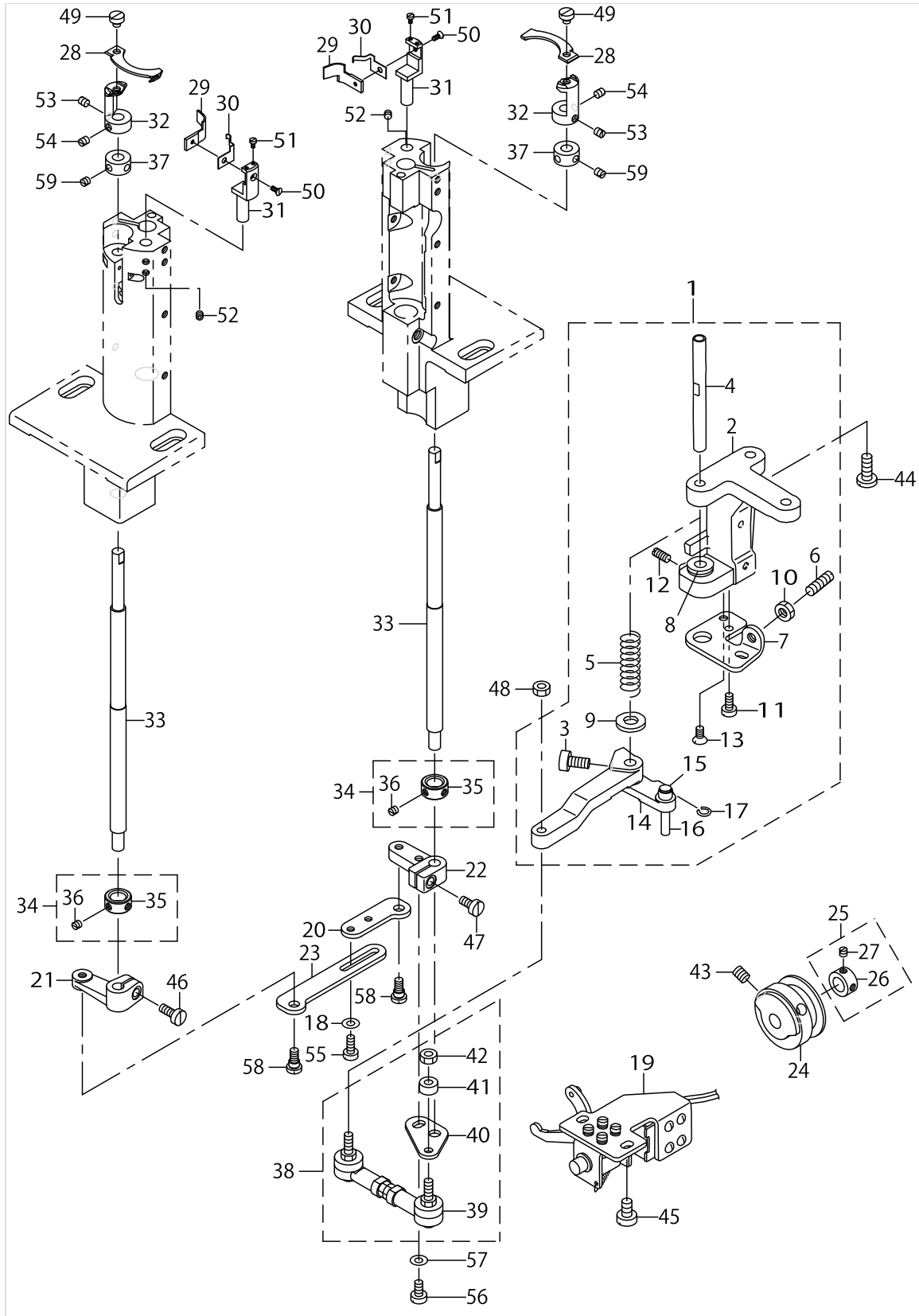
THREAD TRIMMER MECHANISM COMPONENTS(FOR PLC-1660-7)



THREAD TRIMMER MECHANISM COMPONENTS(FOR PLC-1660-7)

No.	Parts No.	Parts name	Remarks	Level	Cons	Qty
1	23005051	LINK INSTALLING BASE ASM.				1
2	10116606	LINK INSTALLING BASE		*		1
3	SS6151220SP	SCREW 15/64-28 L=11.5		*		1
4	10116804	SHAFT		*		1
5	10116903	SPRING		*		1
6	SS8152030SP	SCREW 15/64-28 L=20		*		1
7	23022007	STOPPER		*		1
8	10117109	BUSHING		*		1
9	WP0753016SZ	WASHER 7.5X16.0X3.0		*		1
10	NS6150430SP	NUT 15/64-28		*		1
11	SS6111010SP	SCREW 11/64-40 L= 9.5		*		1
12	SS8111010TP	SCREW 11/64-40 L=9.5		*		1
13	SS2110920TP	SCREW 11/64-40 L=8.5		*		1
14	23005002	CAM INSTALLING LINK		*		1
15	D2427555B00B	CAM ROLLER		*		1
16	D2428555B00A	CAM ROLLER SHAFT		*		1
17	D2430555B00	SNAP RING		*		1
18	WP0501016SD	WASHER 5X10.5X1				2
19	10117851	SOLENOID ASM.				1
20	23005606	CONNECTING LING,B				1
21	23005101	DRIVING ARM,LEFT				1
22	23005200	DRIVING ARM,RIGHT				1
23	23005507	CONNECTING LINK,A				1
24	23014806	THREAD TRIMMER CAM				1
25	CS0950810SH	THRUST COLLAR ASM. D=9.5 W=8				1
26	CS0950816SH	THRUST COLLAR D=9.5 W=8		*		1
27	SS8110410TP	SCREW 11/64-40 L= 3.5		*		2
28	23005804	MOVING KNIFE				2
29	23005903	FIXED KNIFE				2
30	23006000	CLAMP SPRING				2
31	23006109	COUNTER KNIFE INSTALLING BASE				2
32	23006208	MOVING KNIFE INSTALLING BASE				2
33	23006307	MOVING KNIFE DRIVING SHAFT				2
34	CS0950810SH	THRUST COLLAR ASM. D=9.5 W=8				2
35	CS0950816SH	THRUST COLLAR D=9.5 W=8		*		2
36	SS8110410TP	SCREW 11/64-40 L= 3.5		*		4
37	CS0700811SH	THRUST COLLAR D=7 W=8				2
38	23005358	JOINT ROD ASM.				1
39	23005309	JOINT ROD		*		1
40	23021900	DRIVING ARM PLATE		*		1
41	B3417051000	REAR LIFTING BAR ROLLER		*		1
42	NM6050001SP	NUT M5		*		1
43	SS8661012TP	SCREW				2
44	SS7151610SP	SCREW 15/64-28 L=16				2
45	SS6151040SP	SCREW 15/64-28 L=10				2
46	SS6121210SP	SCREW 3/16-28 L=12				1
47	SS6121010SP	SCREW 3/16-28 L=10				1

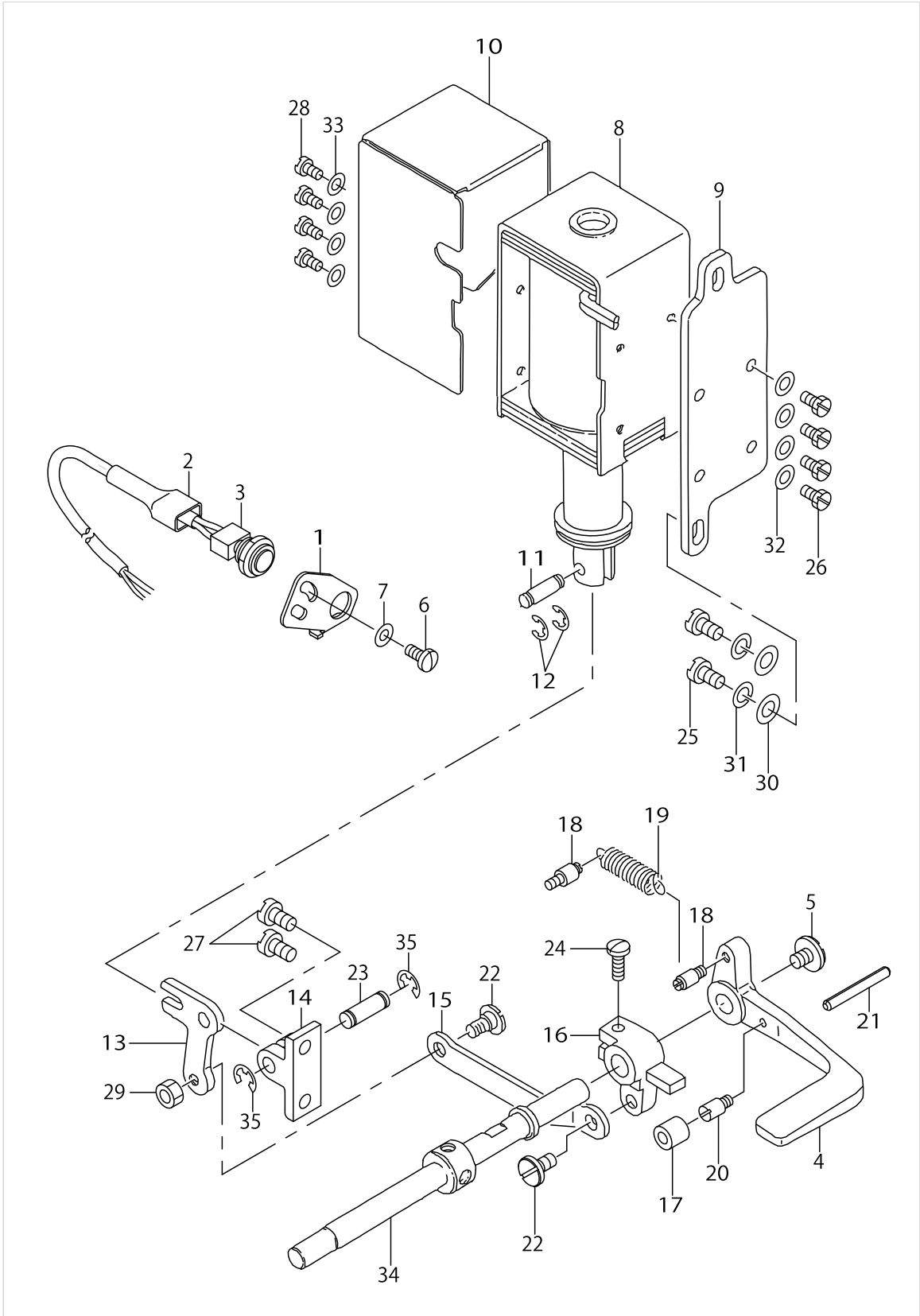
THREAD TRIMMER MECHANISM COMPONENTS(FOR PLC-1660-7)



THREAD TRIMMER MECHANISM COMPONENTS(FOR PLC-1660-7)

No.	Parts No.	Parts name	Remarks	Level	Cons	Qty
48	NM6050001SP	NUT M5				1
49	SS6110480SP	SCREW 11/64-40 L=4.3				2
50	D2436245E00	SCREW				2
51	SM6020450TP	SCREW				4
52	SM8040402TP	SCREW M4X0.7 L=4				4
53	SS8110510SP	SCREW 11/64-40 L=5				2
54	SS8110520TP	SCREW 11/64-40 L= 4.5				2
55	SS6111140SP	SCREW 11/64-40 L=11				2
56	SS6120940SP	SCREW 3/16-28 L=9				1
57	WP0501016SD	WASHER 5X10.5X1				1
58	SD0640325SP	HINGE SCREW				2
59	SS8110410TP	SCREW 11/64-40 L= 3.5				4

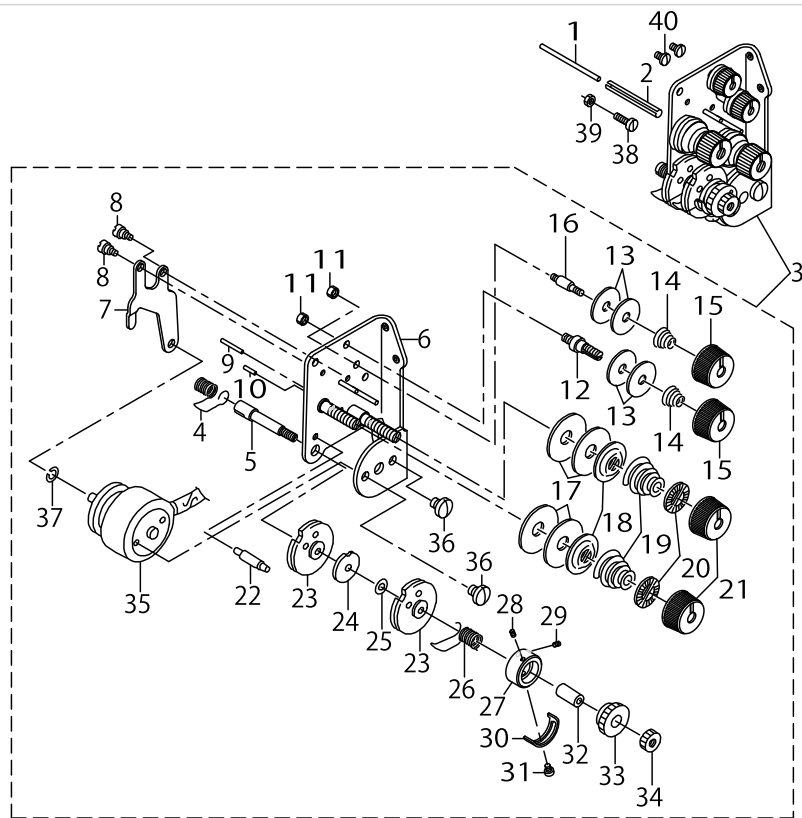
AUTOMATIC REVERSE FEED MECHANISM COMPONENTS



AUTOMATIC REVERSE FEED MECHANISM COMPONENTS

No.	Parts No.	Parts name	Remarks	Level	Cons	Qty
1	D1681241E0A	SWITCH INSTALLING BASE				1
2	MAT81126T00	2-POLE PLUG COVER				1
3	D1680141EA0	TOUCH BUCK SWITCH ASM				1
4	10161206	REVERSE FEED CONTROL LEVER				1
5	SS7620750SP	SCREW 3/16-32 L= 6.5				1
6	SS7621040SP	SCREW 3/16-32 L= 9.5				2
7	WP0501016SD	WASHER 5X10.5X1				2
8	23008402	REVERSE FEED SOLENOID (AC24V)				1
9	10119204	SOLENOID INSTALLING PLATE				1
10	10161305	SOLENOID COVER				1
11	D2464555B00	LINK DRIVING MAGNET PIN				1
12	RE0400000K0	E-RING 4				2
13	10119402	LINK				1
14	D1684141E00A	LINK INSTALLING BASE				1
15	10212009	REVERSE FEED ROD				1
16	10119709	REVERSE FEED CONNECTING ARM				1
17	10119907	CUSHION				1
18	10120004	SPRING SUSPENSION				2
19	D2515232D00	TORSION SPRING				1
20	B1114280000	PIN				1
21	PS0400322KP	SPRING PIN 4.0X32				1
22	SD0720331SP	HINGE SCREW D= 7.24 H= 3.3				2
23	D1687141E00	PIN				1
24	SS7121410SP	SCREW 3/16-28 L=14				1
25	SS7151210SP	SCREW 15/64-28 L=12				2
26	SS9111010SP	SCREW 11/64-40 L=9.5				4
27	SS7151210SP	SCREW 15/64-28 L=12				2
28	SS7110710SP	SCREW 11/64-40 L=7				4
29	NS6150430SP	NUT 15/64-28				1
30	WP0621016SD	WASHER 6.2X13X1				2
31	WS0631510KP	SPRING WASHER				2
32	WP0501016SD	WASHER 5X10.5X1				4
33	WP0501016SD	WASHER 5X10.5X1				4
34	10107407	REVERSE FEED SHAFT				1
35	RE0600000K0	E-RING 6				2

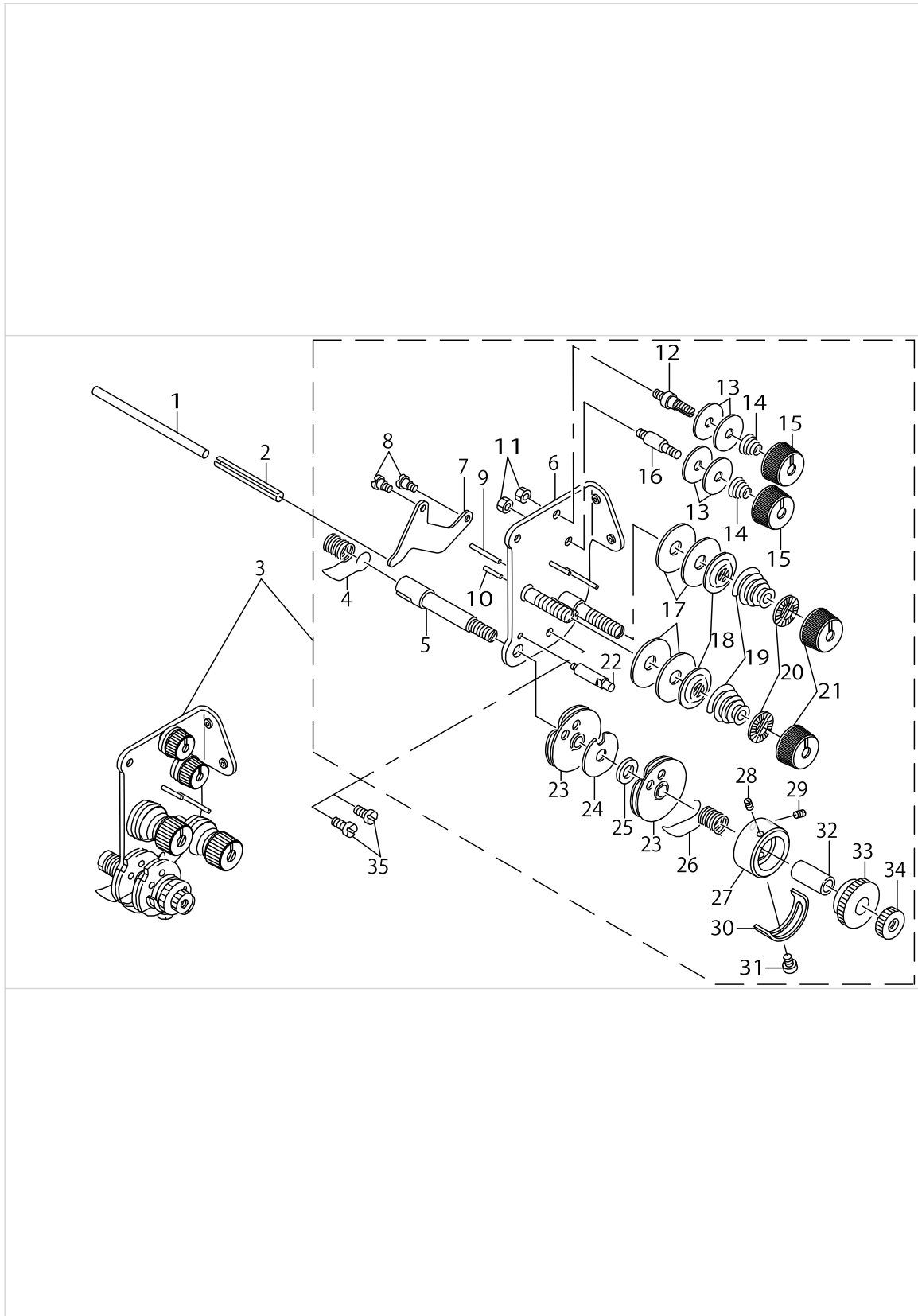
THREAD TENSION COMPONENTS(FOR PLC-1660-7)



THREAD TENSION COMPONENTS(FOR PLC-1660-7)

No.	Parts No.	Parts name	Remarks	Level	Cons	Qty
1	23006406	TENSION RELEASE BAR				1
2	PS0600502KP	SPRING PIN				1
3	23007768	THREAD TENSION ASM.				1
4	B3128051000	THREAD TAKE-UP SPRING, A		*		1
5	10124501	THREAD TAKE-UP SPRING STUD		*		1
6	23007750	TENSION BASE PLATE COMPL.		*		1
7	10320505	TENSION RELEASE LEVER		*		1
8	SD0470281SP	HINGE SCREW D=4.7 H=2.8		*		2
9	B3127527000	PIN B		*		1
10	B3127051000	TENSION RELEASE PIN, SHORT		*		1
11	NS6110310SP	NUT 11/64-40		*		2
12	10124204	THREAD TENSION POST, A		*		1
13	B3214047000	BOBBIN WINDER TENSION DISC		*		4
14	D3168555H0B	TENSION SPRING NO.1		*		2
15	11072402	THREAD TENSION NUT		*		2
16	10124303	THREAD TENSION POST, B		*		1
17	B3126051000	TENSION DISC		*		4
18	B3132051000	TENSION DISC HOLDER		*		2
19	B3129053000	TENSION SPRING		*		2
20	B3120125000	ROTATING STOPPER		*		2
21	11072204	TENSION NUT		*		2
22	B3143527000	TAKE-UP SPRING GUIDE STUD		*		1
23	B31375270A0	TAKE-UP SPRING GUIDE ASM.		*		2
24	B3142527000	TAKE-UP SPRING GUIDE PLATE		*		1
25	B3139527000	COLLAR		*		1
26	B3128527000	THREAD TAKE-UP SPRING B		*		1
27	22617609	THREAD TENSION POST		*		1
28	22618904	SET SCREW		*		1
29	22618904	SET SCREW		*		1
30	B3138527000	ADJUSTING PLATE B		*		1
31	SS7090520SP	SCREW 9/64-40 L= 4.5		*		1
32	B3141527000	PRESSER COLLAR		*		1
33	B3125527000	TAKE-UP SPRING GUIDE		*		1
34	B3125012000	THREAD TENSION NUT		*		1
35	10320703	TENSION RELEASE SOLENOID		*		1
36	SS7110510SP	SCREW 11/64-40 L=5		*		2
37	WS0310002KR	SPRING WASHER 3.1X5.9X0.7		*		1
38	SS6111140SP	SCREW 11/64-40 L=11				1
39	NS6110350SP	NUT 11/64-40				1
40	SS7110710SP	SCREW 11/64-40 L=7				2

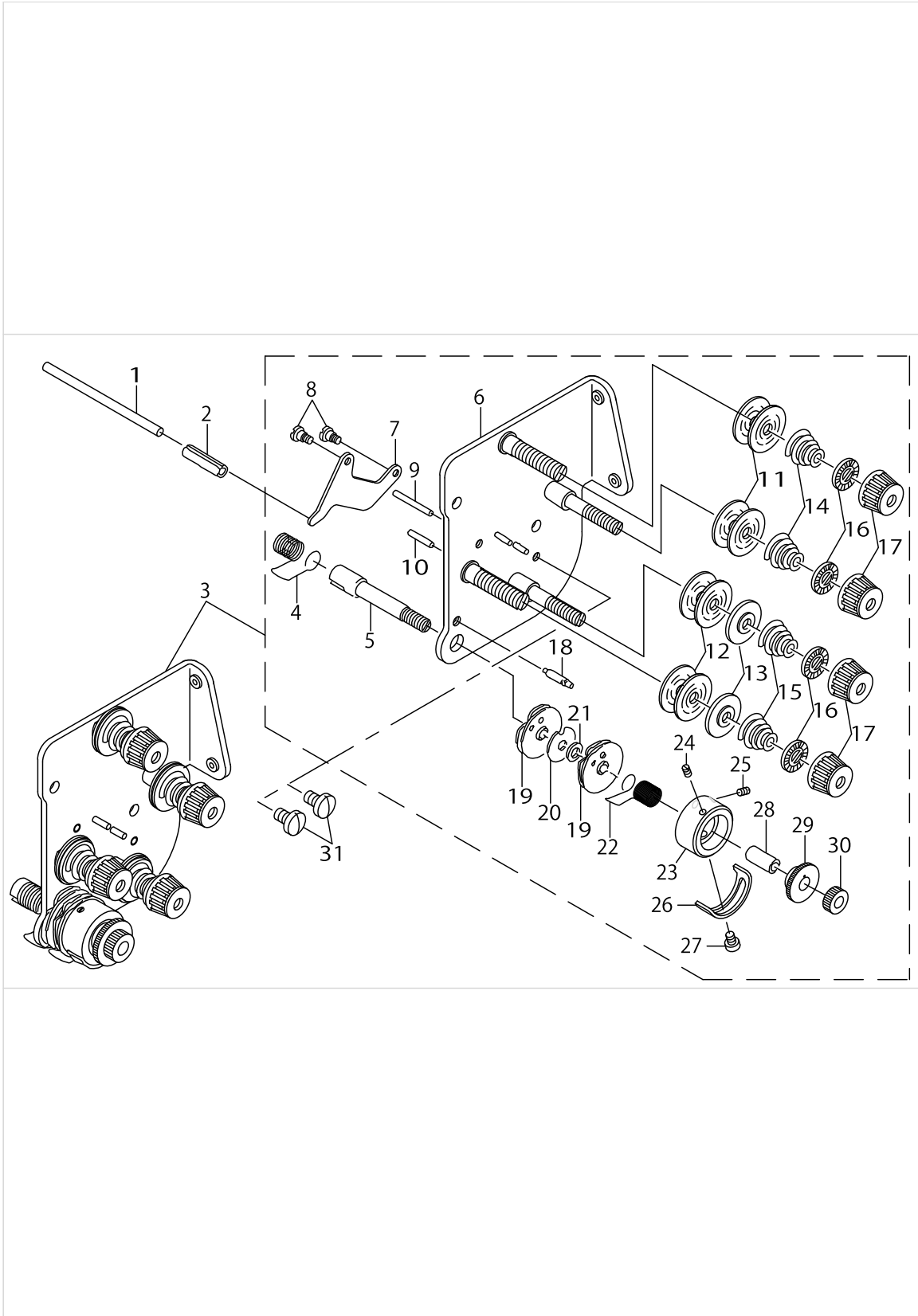
THREAD TENSION COMPONENTS(FOR PLC-1660)



THREAD TENSION COMPONENTS(FOR PLC-1660)

No.	Parts No.	Parts name	Remarks	Level	Cons	Qty
1	23006406	TENSION RELEASE BAR				1
2	PS0600502KP	SPRING PIN				1
3	23022353	THREAD TENSION ASM.				1
4	B3128051000	THREAD TAKE-UP SPRING, A		*		1
5	10124501	THREAD TAKE-UP SPRING STUD		*		1
6	10355055	TENSION POST ASM.		*		1
7	B3134521000	TENSION RELEASE LEVER		*		1
8	SD0470281SP	HINGE SCREW D=4.7 H=2.8		*		2
9	B3127527000	PIN B		*		1
10	B3127051000	TENSION RELEASE PIN, SHORT		*		1
11	NS6110310SP	NUT 11/64-40		*		2
12	10124204	THREAD TENSION POST, A		*		1
13	B3214047000	BOBBIN WINDER TENSION DISC		*		4
14	D3168555H0B	TENSION SPRING NO.1		*		2
15	11072402	THREAD TENSION NUT		*		2
16	10124303	THREAD TENSION POST, B		*		1
17	B3126051000	TENSION DISC		*		4
18	B3132051000	TENSION DISC HOLDER		*		2
19	B3129053000	TENSION SPRING		*		2
20	B3120125000	ROTATING STOPPER		*		2
21	11072204	TENSION NUT		*		2
22	B3143527000	TAKE-UP SPRING GUIDE STUD		*		1
23	B31375270A0	TAKE-UP SPRING GUIDE ASM.		*		2
24	B3142527000	TAKE-UP SPRING GUIDE PLATE		*		1
25	B3139527000	COLLAR		*		1
26	B3128527000	THREAD TAKE-UP SPRING B		*		1
27	22617609	THREAD TENSION POST		*		1
28	22618904	SET SCREW		*		1
29	22618904	SET SCREW		*		1
30	B3138527000	ADJUSTING PLATE B		*		1
31	SS7090520SP	SCREW 9/64-40 L= 4.5		*		1
32	B3141527000	PRESSER COLLAR		*		1
33	B3125527000	TAKE-UP SPRING GUIDE		*		1
34	B3125012000	THREAD TENSION NUT		*		1
35	SS7110710SP	SCREW 11/64-40 L=7				2

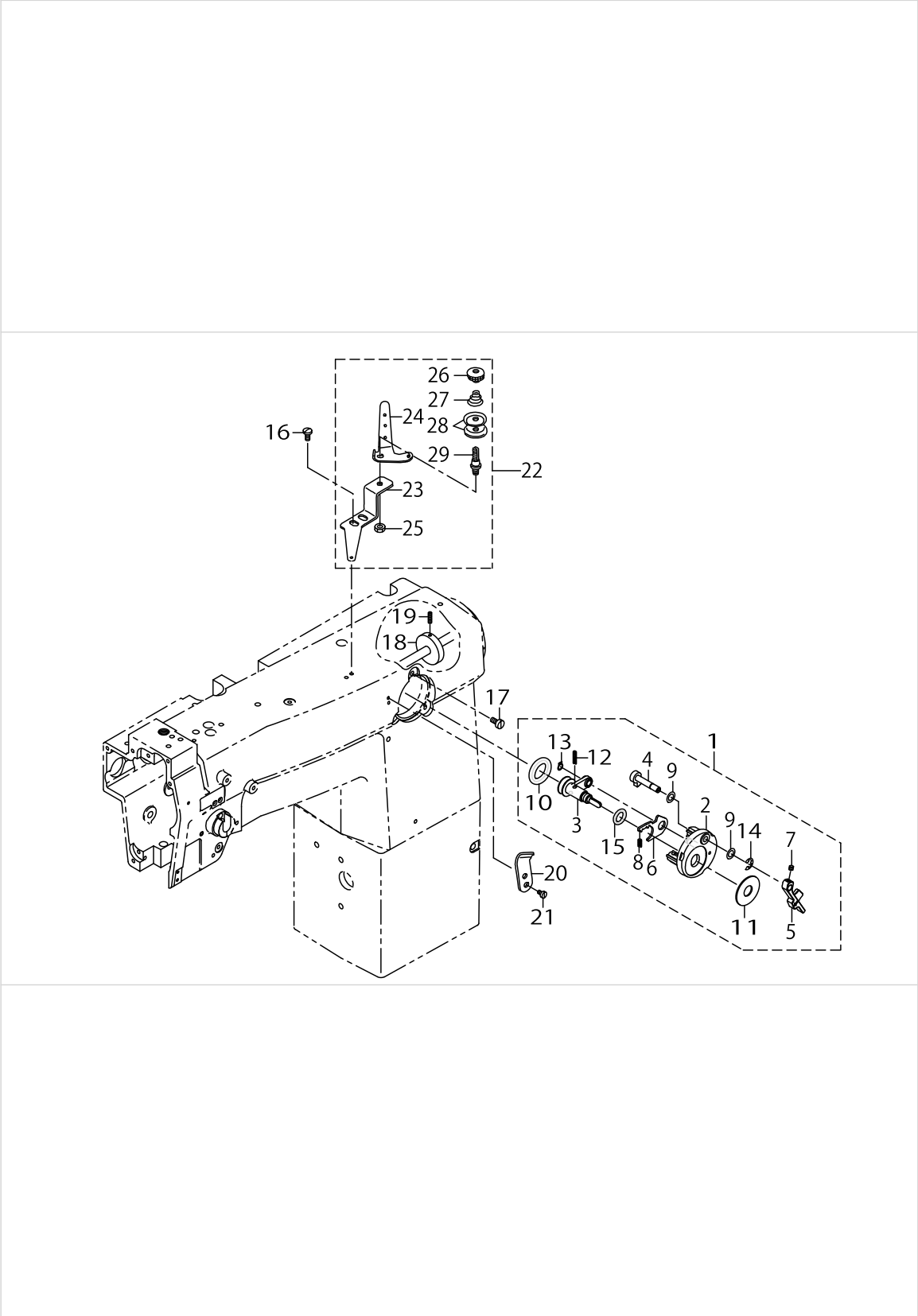
THREAD TENSION COMPONENTS(FOR PLC-1660L)



THREAD TENSION COMPONENTS(FOR PLC-1660L)

No.	Parts No.	Parts name	Remarks	Level	Cons	Qty
1	23006406	TENSION RELEASE BAR				1
2	PS0600502KP	SPRING PIN				1
3	23007867	THREAD TENSION ASM.				1
4	B3128051000	THREAD TAKE-UP SPRING, A		*		1
5	10124501	THREAD TAKE-UP SPRING STUD		*		1
6	23007859	TENSION BASE COMPL.		*		1
7	B3134521000	TENSION RELEASE LEVER		*		1
8	SD0470281SP	HINGE SCREW D=4.7 H=2.8		*		2
9	B3127527000	PIN B		*		1
10	B3127051000	TENSION RELEASE PIN, SHORT		*		1
11	B3126012000	THREAD TENSION DISK		*		4
12	B3126051000	TENSION DISC		*		4
13	B3132051000	TENSION DISC HOLDER		*		2
14	D3129555D00	THREAD TENSION SPRING		*		2
15	B3129053000	TENSION SPRING		*		2
16	B3120125000	ROTATING STOPPER		*		4
17	11072204	TENSION NUT		*		4
18	B3143527000	TAKE-UP SPRING GUIDE STUD		*		1
19	B31375270A0	TAKE-UP SPRING GUIDE ASM.		*		2
20	B3142527000	TAKE-UP SPRING GUIDE PLATE		*		1
21	B3139527000	COLLAR		*		1
22	B3128527000	THREAD TAKE-UP SPRING B		*		1
23	22617609	THREAD TENSION POST		*		1
24	22618904	SET SCREW		*		1
25	22618904	SET SCREW		*		1
26	B3138527000	ADJUSTING PLATE B		*		1
27	SS7090520SP	SCREW 9/64-40 L= 4.5		*		1
28	B3141527000	PRESSER COLLAR		*		1
29	B3125527000	TAKE-UP SPRING GUIDE		*		1
30	B3125012000	THREAD TENSION NUT		*		1
31	SS7110710SP	SCREW 11/64-40 L=7				2

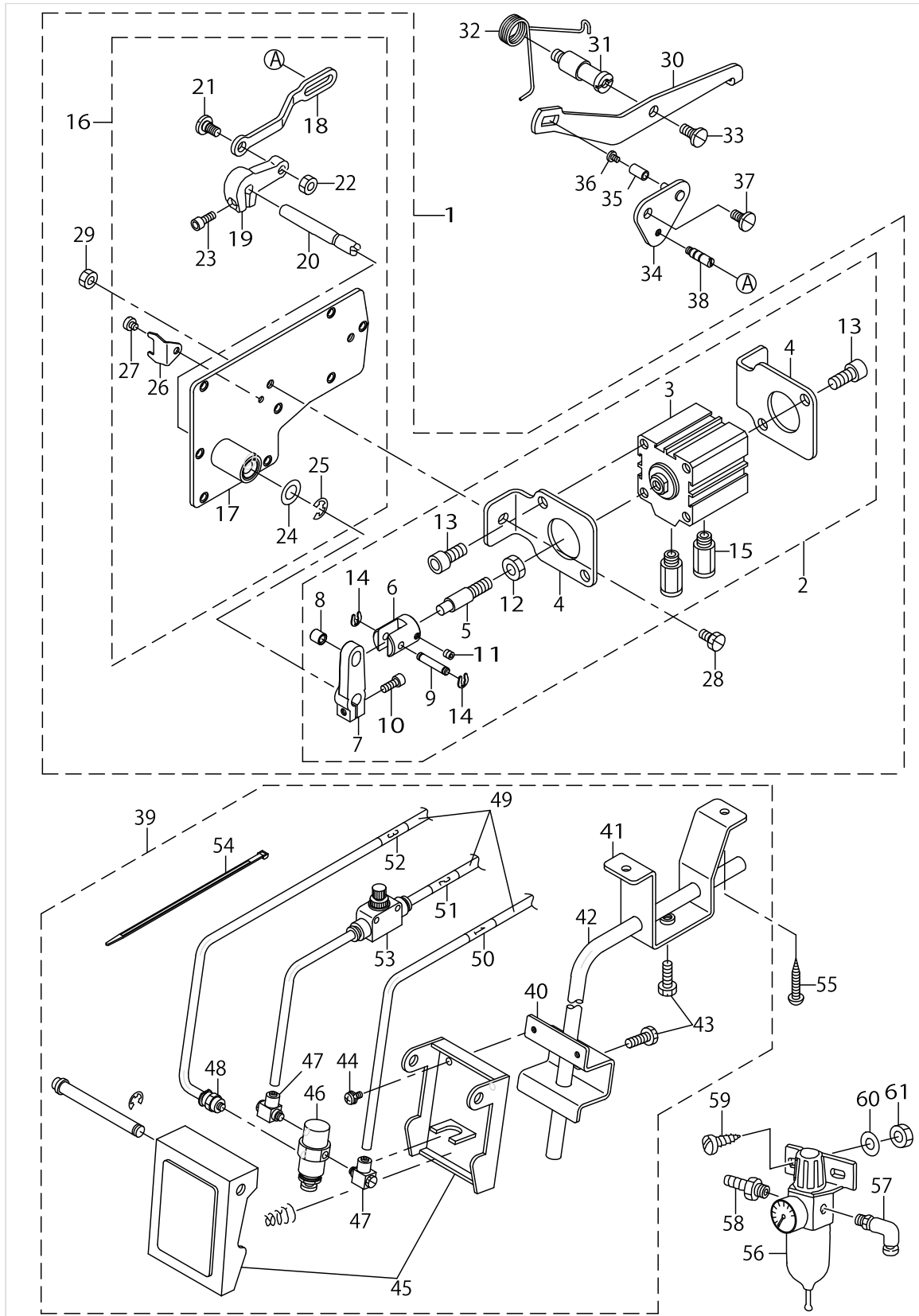
LOWER THREAD WINDER MECHANISM COMPONENTS



LOWER THREAD WINDER MECHANISM COMPONENTS

No.	Parts No.	Parts name	Remarks	Level	Cons	Qty
1	23009764	BOBBIN DEVICE ASM.				1
2	22537658	BOBBIN FITTING BASIS COMPL.		*		1
3	23009756	BOBBIN SHAFT COMPL.		*		1
4	22538151	BOBBIN CAM SHAFT COMPL.		*		1
5	22538300	BOBBIN LEVER		*		1
6	22538409	ADJUSTING PLATE		*		1
7	SS8110422TP	SCREW 11/64-40 L=4		*		1
8	B152989000CA	PRESSUR FOOT SPRING		*		1
9	10618304	VERTICAL ROLLER WASHER		*		2
10	A321600100A	RUBBER RING		*		1
11	B3205210000	CUSHION		*		1
12	B1148555000	SPRING		*		1
13	RC0560711KP	RETAINING RING		*		1
14	RE0500000K0	E-RING		*		1
15	RO092270200	RUBBER RING		*		1
16	SS7621040SP	SCREW 3/16-32 L= 9.5				2
17	SS6121030SP	SCREW 3/16-28 L=10				3
18	B3213205000	BOBBIN WINDER DRIVING WHEEL				1
19	SS8111610SP	SCREW 11/64-40 L=15.5				2
20	10502300	THREAD CUTTER				1
21	SS6090620SP	SCREW 9/64-40 L=6				2
22	10704153	BOBBIN THREAD GUIDE PLATE ASM.				1
23	10704104	BOBBIN THREAD GUIDE PLATE		*		1
24	10088003	THREAD GUIDE		*		1
25	NS6110310SP	NUT 11/64-40		*		1
26	B3216047000	BOBBIN WINDER TENSION NUT		*		1
27	D3168555H0B	TENSION SPRING NO.1		*		1
28	B3214047000	BOBBIN WINDER TENSION DISC		*		2
29	10124204	THREAD TENSION POST, A		*		1

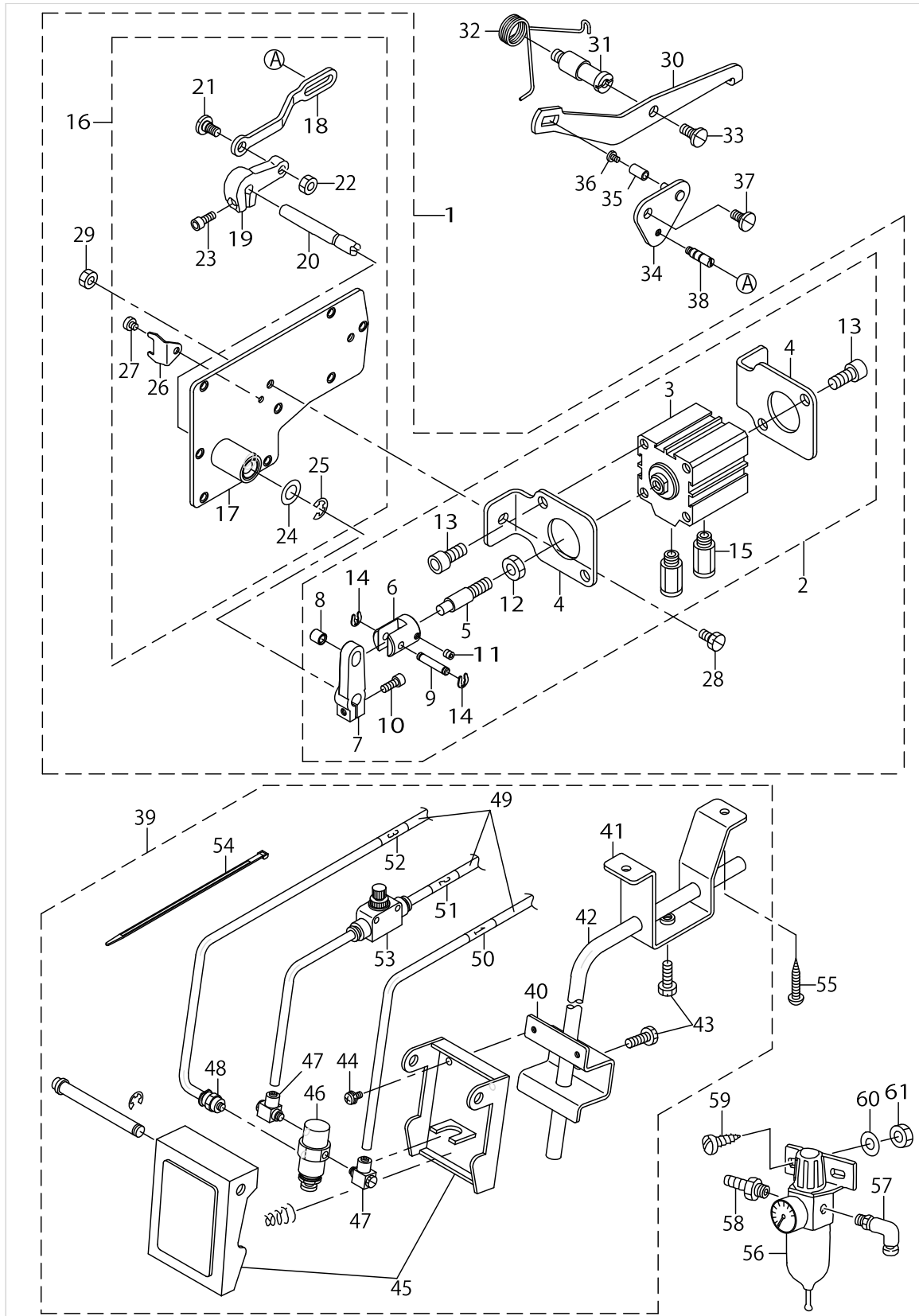
PRESSER LIFTING SOLENOID COMPONENTS(FOR AK-131A)



PRESSER LIFTING SOLENOID COMPONENTS(FOR AK-131A)

No.	Parts No.	Parts name	Remarks	Level	Cons	Qty
1	GAKA16010A0	AK DRIVING LINK ASM.				1
2	GAKA16030A0	AK CYLINDER ASM.		*		1
3	PA400200200	AIR CYLINDER		*		1
4	GAKA1604000	AK CYLINDER BASE		*		2
5	GAKA1605000	CYLINDER CONNECTING SHAFT		*		1
6	GAK33035000	SOLENOID COLLAR		*		1
7	GAK33011000	SOLENOID ARM, A		*		1
8	GAK33013000	SOLENOID PIN COLLAR		*		1
9	GAK33012000	SOLENOID PIN		*		1
10	SS6121212TP	SCREW 3/16-28 L=12.0		*		1
11	SM8050502TP	SCREW M5 L=5		*		1
12	NM6080001SE	NUT M8		*		1
13	SM6081802TP	SCREW		*		4
14	GAK33014000	SNAP RING		*		2
15	PJ301065104	HALF UNION		*		2
16	GAKA16020A0	AK WINDOW PLATE ASM.		*		1
17	GAKA16020B0	WINDOW PLATE ASM.		*		1
18	GAKA1606000	SOLENOID LINK		*		1
19	GAK33027000	SOLENOID ARM		*		1
20	GAK33028000	SOLENOID SHAFT		*		1
21	SD0720331SP	HINGE SCREW D= 7.24 H= 3.3		*		1
22	NS6150310SP	NUT 15/64-28		*		1
23	SS6121212TP	SCREW 3/16-28 L=12.0		*		1
24	WP1021016SD	WASHER		*		1
25	RE0700000K0	E-RING 7		*		1
26	GAK33024000	SOLENOID LINK HOLDER		*		1
27	SS6110480SP	SCREW 11/64-40 L=4.3		*		1
28	SS9151160CP	SCREW 15/64-28 L=10.5		*		2
29	NS6150310SP	NUT 15/64-28		*		2
30	10312106	KNEE LIFTER FRONT LEVER				1
31	10311504	HOLDER STUD				1
32	10312213	SPRING				1
33	SD0790361SP	HINGE SCREW D= 7.94 H= 3.6				1
34	GAKA16070A0	KNEE LIFT REAR LEVER ASM.				1
35	10311801	LEVER SHAFT ROLLER				1
36	SS7090530SP	SCREW 9/64-40 L= 4.5				1
37	SD0720331SP	HINGE SCREW D= 7.24 H= 3.3				1
38	GAK88040000	PIN				1
39	GAKA16080A0	KNEE LIFTER SWITCH ASM.				1
40	GAK81007000	KNEE LIFTER SWITCH BRACKET		*		1
41	GAK81008000	HOLDER		*		1
42	GAK81009000	ROD		*		1
43	SM9061850SC	SCREW M6 L=18		*		2
44	SL4041091SC	SCREW M4 L=10		*		2
45	PX020002000	ACTUATOR		*		1
46	PV010502000	AIR VALVE		*		1
47	PJ046059002	ELBOW		*		2

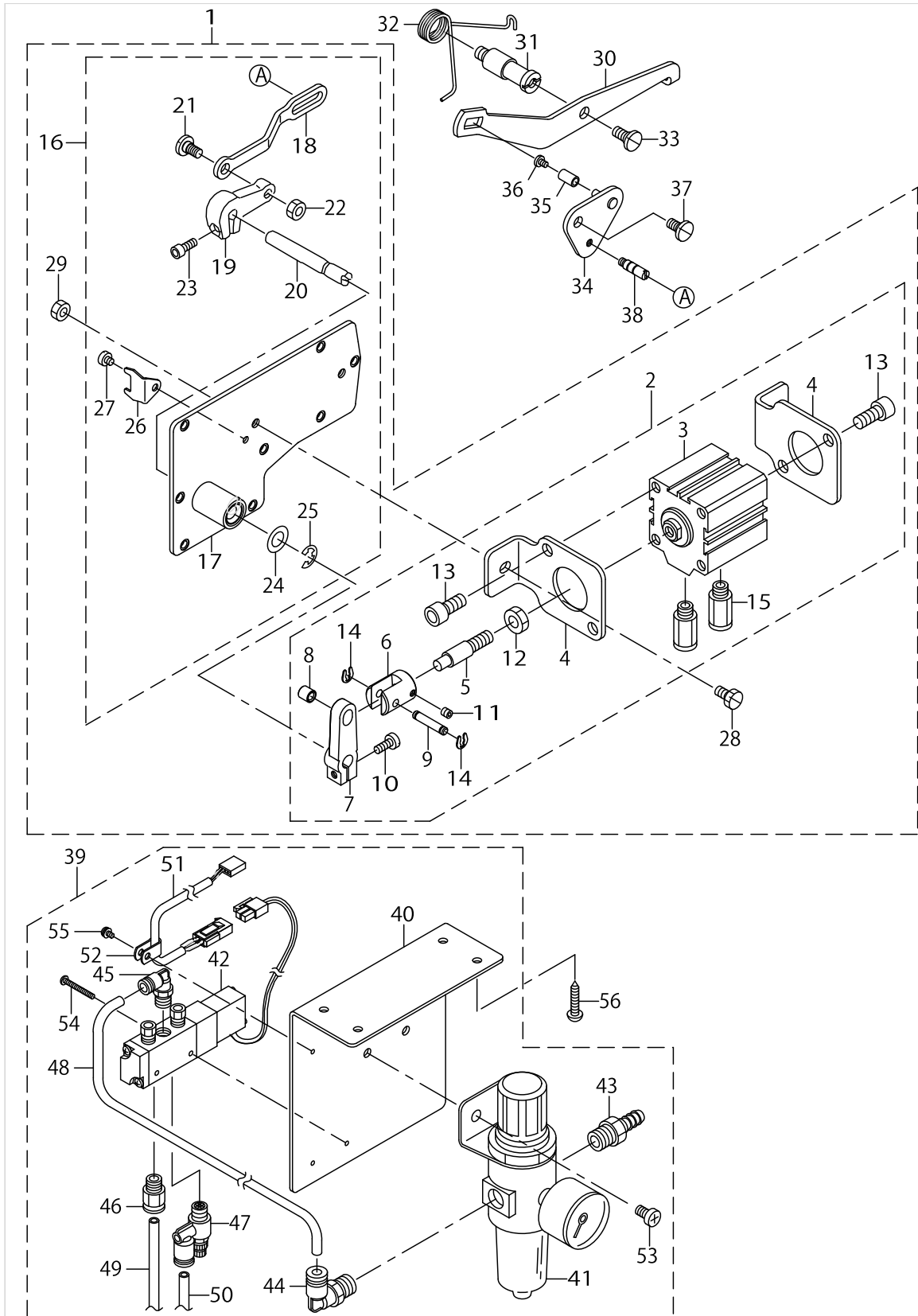
PRESSER LIFTING SOLENOID COMPONENTS(FOR AK-131A)



PRESSER LIFTING SOLENOID COMPONENTS(FOR AK-131A)

No.	Parts No.	Parts name	Remarks	Level	Cons	Qty
48	PJ301060504	JOINT		*		1
49	BT0600401EB	TUBE		*		4.34
50	18035006	CABLE MARK NO.1		*		1
51	18035105	WIRE MARK (2)		*		1
52	18035204	WIRE MARK (3)		*		1
53	PC012601000	SPEED CONTROLLER		*		1
54	EA9500B0200	CABLE BAND 150		*		1
55	SK3513200SC	WOOD SCREW D=5.1 L=32				2
56	PF0552100A0	FILTER REGULATER ASM.				1
57	PJ304065201	ELBOW UNION 6XPT1/4				1
58	F1021003000	HOSE JOINT				1
59	SL4041291SC	SCREW M4 L=12				2
60	WP0430801SC	WASHER 4.3X9X0.8				2
61	NM6040001SC	NUT M4				2

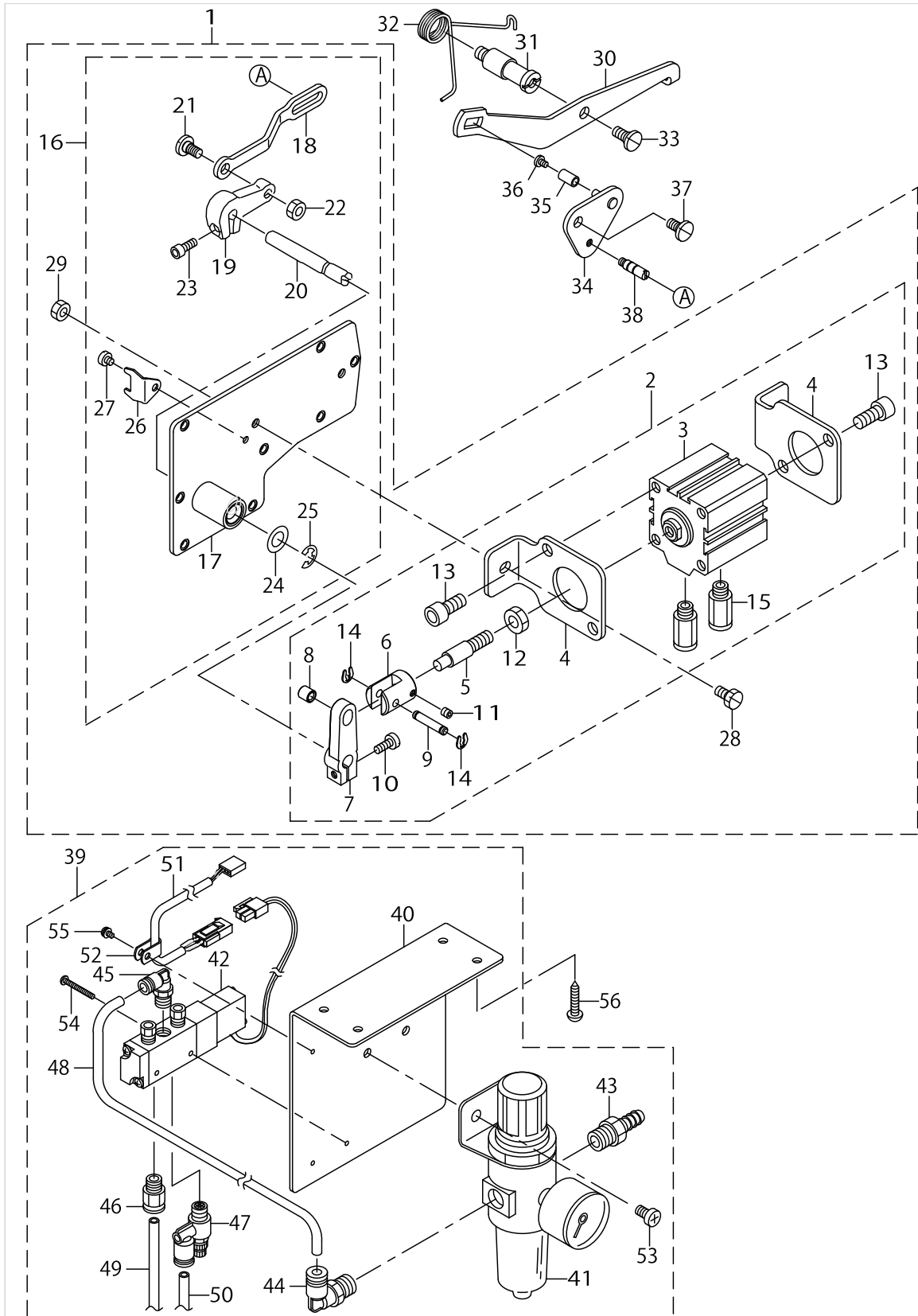
PRESSER LIFTING SOLENOID COMPONENTS(FOR AK-131B)



PRESSER LIFTING SOLENOID COMPONENTS(FOR AK-131B)

No.	Parts No.	Parts name	Remarks	Level	Cons	Qty
1	GAKA16010A0	AK DRIVING LINK ASM.				1
2	GAKA16030A0	AK CYLINDER ASM.		*		1
3	PA400200200	AIR CYLINDER		*		1
4	GAKA1604000	AK CYLINDER BASE		*		2
5	GAKA1605000	CYLINDER CONNECTING SHAFT		*		1
6	GAK33035000	SOLENOID COLLAR		*		1
7	GAK33011000	SOLENOID ARM, A		*		1
8	GAK33013000	SOLENOID PIN COLLAR		*		1
9	GAK33012000	SOLENOID PIN		*		1
10	SS6121210TP	SCREW 3/16-28 L=12		*		1
11	SM8050502TP	SCREW M5 L=5		*		1
12	NM6080001SE	NUT M8		*		1
13	SM6081802TP	SCREW		*		4
14	GAK33014000	SNAP RING		*		2
15	PJ301065104	HALF UNION		*		2
16	GAKA16020A0	AK WINDOW PLATE ASM.		*		1
17	GAKA16020B0	WINDOW PLATE ASM.		*		1
18	GAKA1606000	SOLENOID LINK		*		1
19	GAK33027000	SOLENOID ARM		*		1
20	GAK33028000	SOLENOID SHAFT		*		1
21	SD0720331SP	HINGE SCREW D= 7.24 H= 3.3		*		1
22	NS6150310SP	NUT 15/64-28		*		1
23	SS6121212TP	SCREW 3/16-28 L=12.0		*		1
24	WP1021016SD	WASHER		*		1
25	RE0700000K0	E-RING 7		*		1
26	GAK33024000	SOLENOID LINK HOLDER		*		1
27	SS6110480SP	SCREW 11/64-40 L=4.3		*		1
28	SS9151160CP	SCREW 15/64-28 L=10.5		*		2
29	NS6150310SP	NUT 15/64-28		*		2
30	10312106	KNEE LIFTER FRONT LEVER				1
31	10311504	HOLDER STUD				1
32	10312213	SPRING				1
33	SD0790361SP	HINGE SCREW D= 7.94 H= 3.6				1
34	GAKA16070A0	KNEE LIFT REAR LEVER ASM.				1
35	10311801	LEVER SHAFT ROLLER				1
36	SS7090530SP	SCREW 9/64-40 L= 4.5				1
37	SD0720331SP	HINGE SCREW D= 7.24 H= 3.3				1
38	GAK88040000	PIN				1
39	40024970	AIR APPARATUS (A) ASM.				1
40	GAKA1401000	SOLENOID VALVE MOUNTING PLATE		*		1
41	GAK29007000	FILTER REGULATOR		*		1
42	GAKA14030A0	SOLENOID VALVE ASM.		*		1
43	GAK29011000	NIPPLE		*		1
44	GAK29009000	ELBOW		*		1
45	GAK29010000	ELBOW B		*		1
46	GAK29015000	JOINT A		*		1
47	GAK29016000	SPEED CONTROLLER		*		1

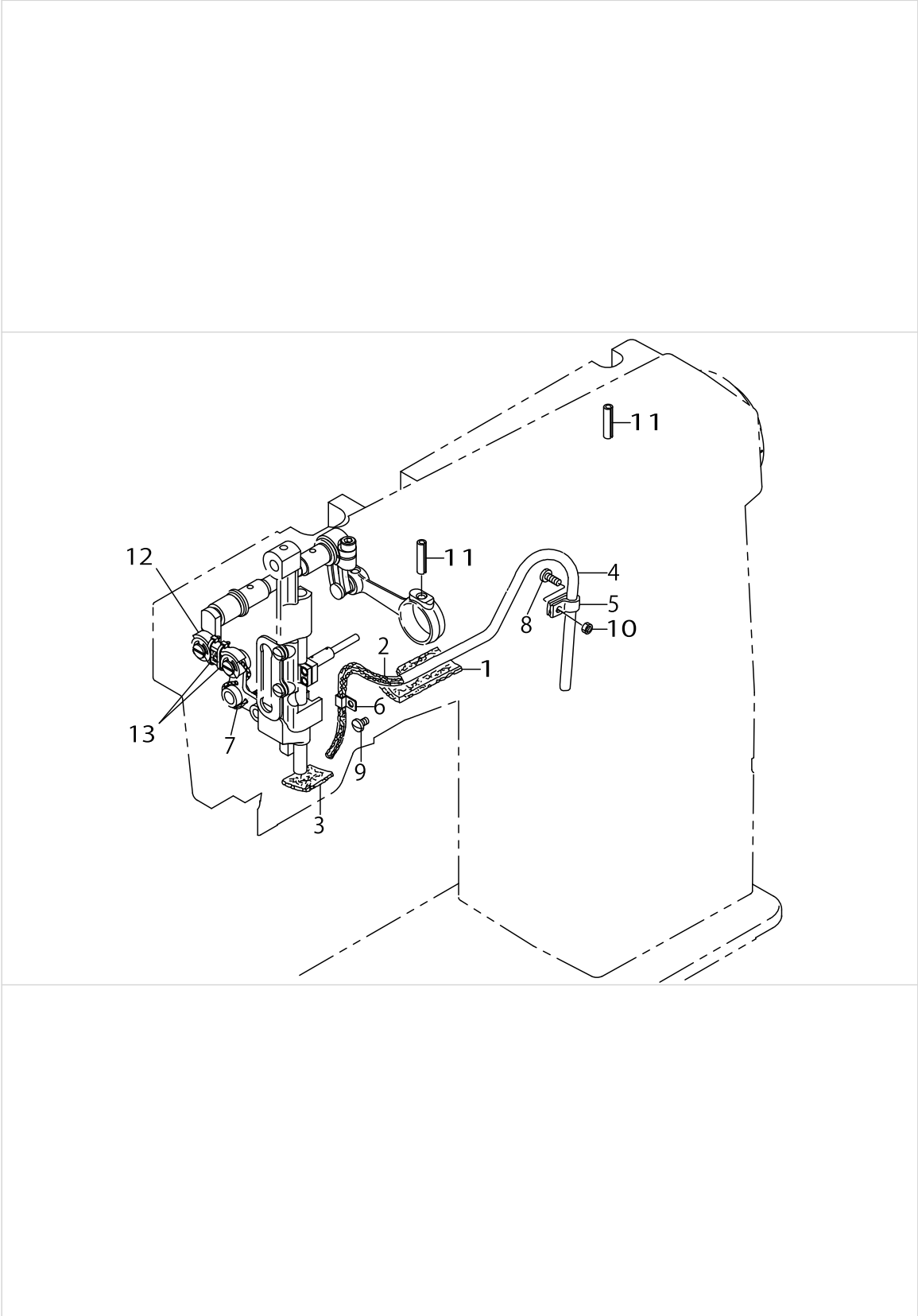
PRESSER LIFTING SOLENOID COMPONENTS(FOR AK-131B)



PRESSER LIFTING SOLENOID COMPONENTS(FOR AK-131B)

No.	Parts No.	Parts name	Remarks	Level	Cons	Qty
48	BT0600401EB	TUBE		*		0.18
49	BT0600401EB	TUBE		*		1.45
50	BT0600401EB	TUBE		*		1.45
51	40025359	AK CORD ASM.		*		1
52	HX001230000	CABLE CLIP		*		1
53	SM4061001SB	SCREW M6 L=10		*		2
54	SM4032501SB	SCREW M3X0.5 L=25.0		*		2
55	SL4030691SC	SCREW M3X6		*		1
56	SK3482500SC	WOOD SCREW D=4.8 L=25				4

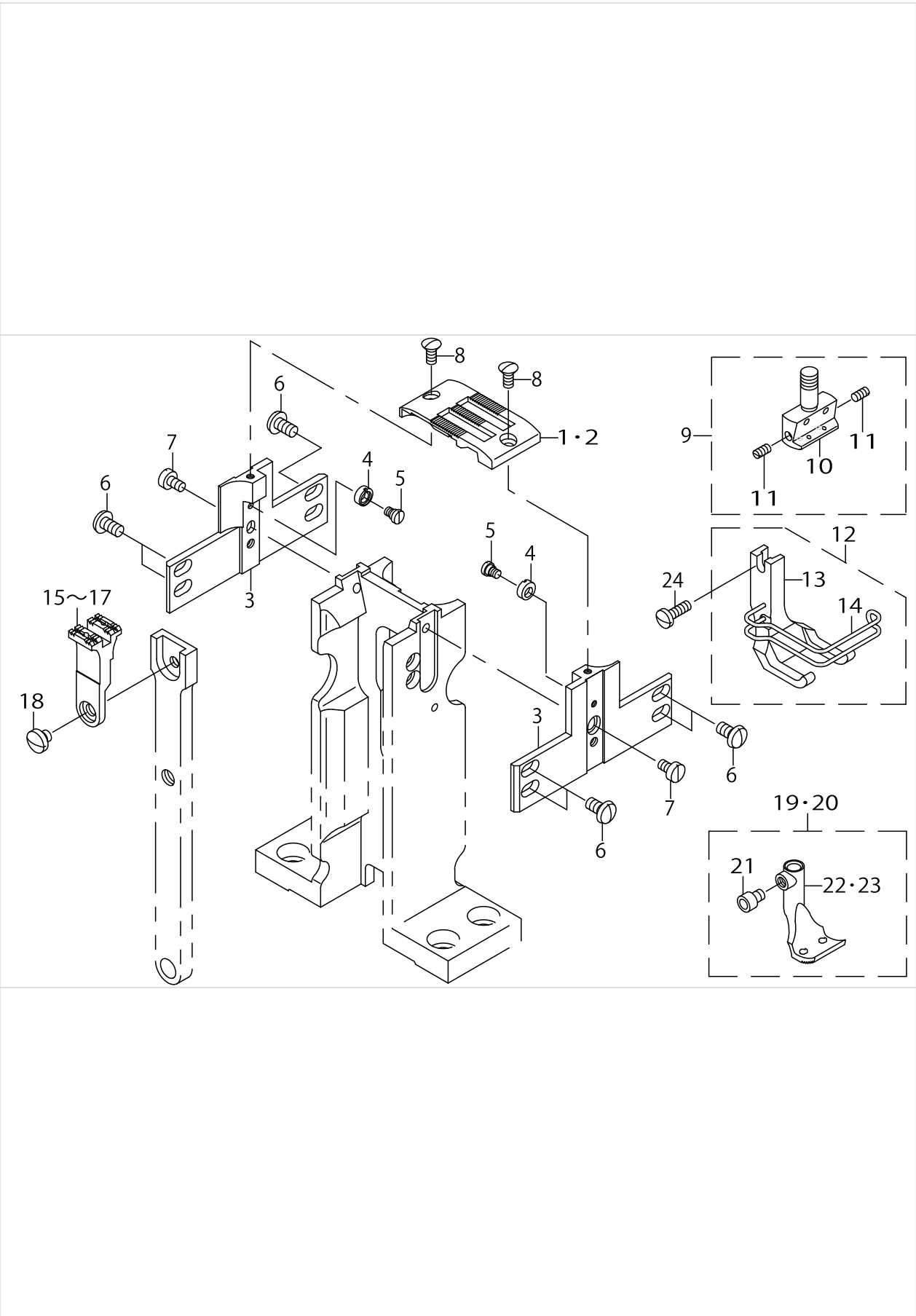
LUBRICATION COMPONENTS



LUBRICATION COMPONENTS

No.	Parts No.	Parts name	Remarks	Level	Cons	Qty
1	10321602	FELT				1
2	10321701	OIL RETURN WICK				1
3	B3526226000	OIL SPONGE				1
4	BP800000000	VINYL TUBE, WHITE D=8				0.3
5	EA9502B0500	CABLE CLIP				1
6	B3508512000	OIL FELT HOLDER				1
7	CQ202000000	OIL WICK				0.2
8	SS7110710SP	SCREW 11/64-40 L=7				1
9	SS7111140SP	SCREW 11/64-40 L=11				1
10	NS6110310SP	NUT 11/64-40				1
11	PS060024100	SPRING PIN 6X24				2
12	23014608	CONNECTING LINK FELT				1
13	EA9500B0000	CLIP CV-70S				2

GAUGE COMPONENTS(STANDARD PARTS)



GAUGE COMPONENTS(STANDARD PARTS)

No.	Parts No.	Parts name	Remarks	Level	Cons	Qty
1	23015001	THROAT PLATE,(10MM)				1
2	23016108	THROAT PLATE,(10MM)LONG PITCH	FOR PLC-1660L			1
3	23016900	THROAT PLATE HOLDER ,10MM				2
4	23007503	ECCENTRIC ROLLER				2
5	23007602	HINGE SCREW				2
6	SS5110810SP	SCREW 11/64-40 L=8				8
7	SS6090620SP	SCREW 9/64-40 L=6				2
8	SS2090810SP	SCREW 9/64-40 L= 7.5				2
9	23017551	NEEDLE CLAMP ASM. 10MM				1
10	23017502	NEEDLE CLAMP, 10MM		*		1
11	SS8080660TP	SCREW 1/8-44 L=5.5		*		2
12	23018658	PRESSER FOOT ASM. 10MM				1
13	23018609	PRESSER FOOT, 10MM		*		1
14	23019409	FINGER GUARD		*		1
15	23020001	FEED DOG,10MM				1
16	23020209	FEED DOG,10MM	FOR PLC-1660			1
17	23020407	FEED DOG,10MM,LONG PITCH	FOR PLC-1660L			1
18	SS7110410SP	SCREW 11/64-40 L=4				1
19	10783355	FEED FOOT ASM. 10MM				1
20	23022551	FEED FOOT ASM. 10MM	FOR PLC-1660L			1
21	SM6040552TP	SCREW M4 L=4.5		*		1
22	10783306	FEED FOOT ASM. 10MM		*		1
23	23022502	FEED FOOT ASM. 10MM	FOR PLC-1660L	*		1
24	SS7091110TP	SCREW 9/64-40 L=10.5				1

TABLE AND STAND & BELT COVER COMPONENTS

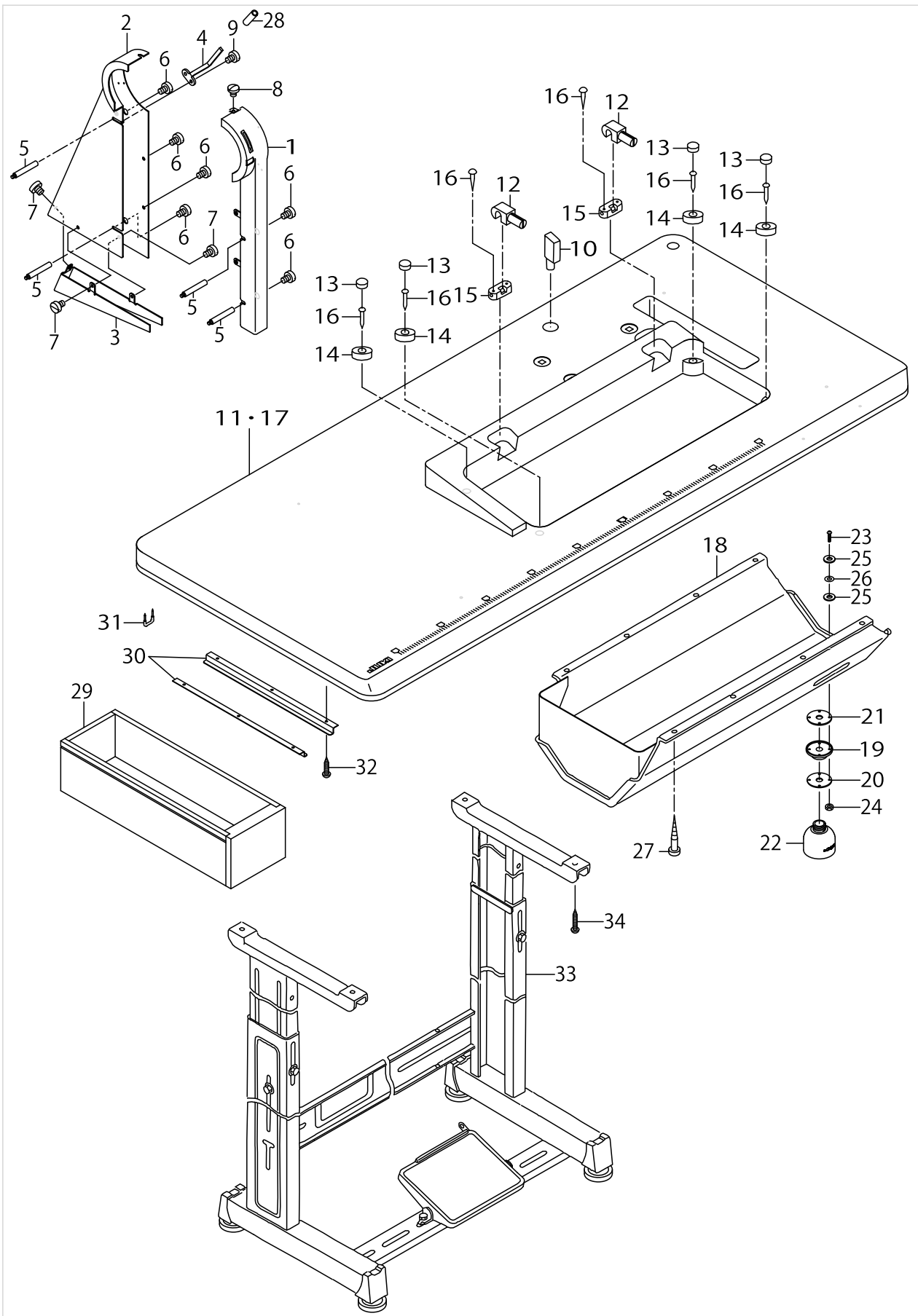
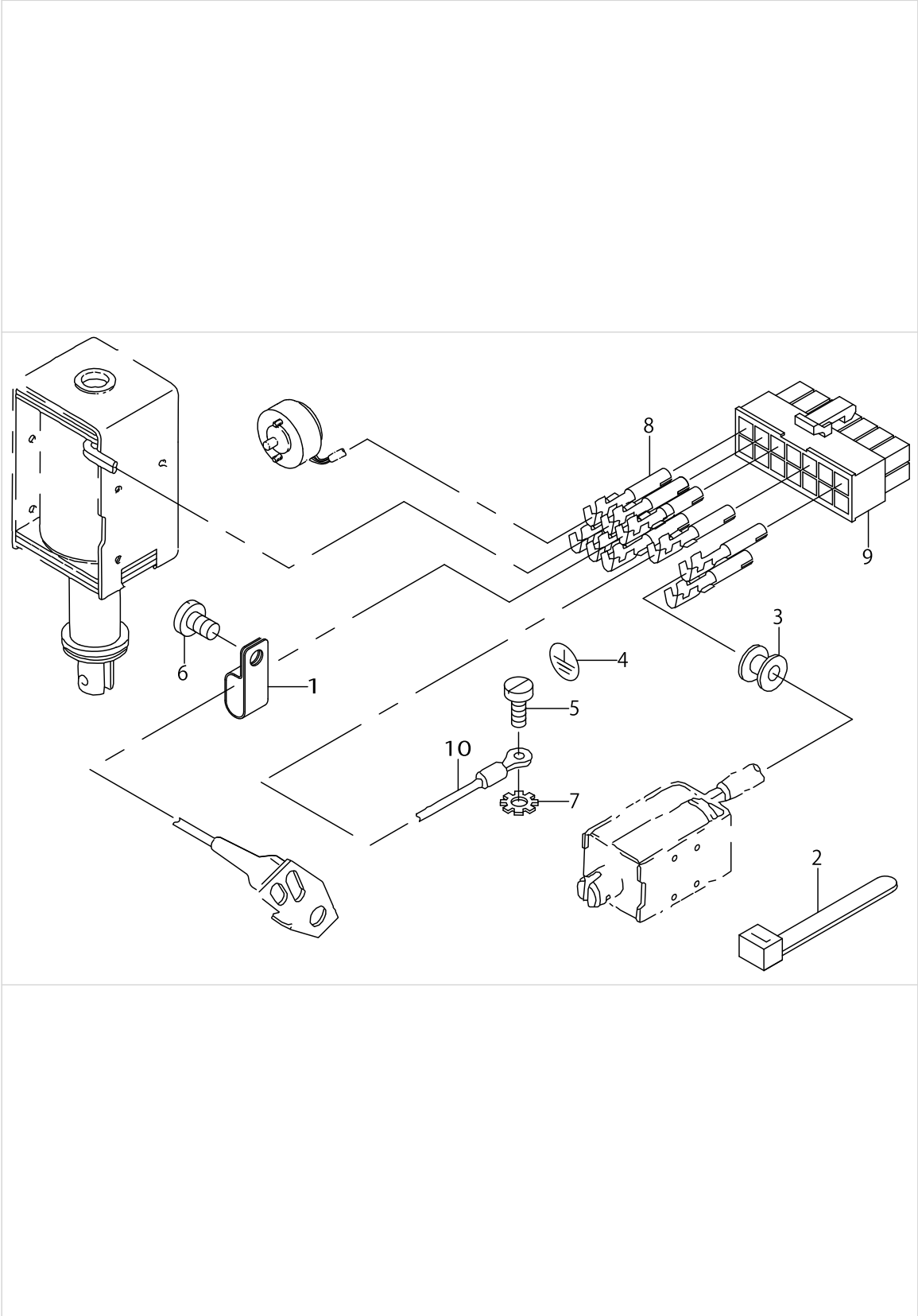


TABLE AND STAND& BELT COVER COMPONENTS

No.	Parts No.	Parts name	Remarks	Level	Cons	Qty
1	23012859	BELT COVER (LABEL STICK)				1
2	23012909	BELT COVER (REAR)				1
3	23013006	BELT COVER (UNDER)				1
4	23013105	SYNCHRO SUPPORT				1
5	D8232141E00	BELT COVER SUPPORT				4
6	SS6110610TP	SCREW 11/64-40 L=6				6
7	SS6110610TP	SCREW 11/64-40 L=6				3
8	SS7110510SP	SCREW 11/64-40 L=5				1
9	SS6110610TP	SCREW 11/64-40 L=6				2
10	10528800	FRAME SUPPORT BAR				1
11	23012701	OBLIQUE TABLE				1
12	B8213012000	BED HINGE CONNECTION				2
13	B8206012000	FELT CUSHION				4
14	B8209012000	RUBBER CUSHION				4
15	10529600	WASHER				2
16	10539906	SET NAIL				8
17	23012602	FLAT TABLE	FOR FLAT TABLE			1
18	10772952	OIL RESERVOIR ASM.				1
19	40025299	OIL POT JOINT				1
20	21379003	OIL MANAGEMENT WASHER				1
21	B8112220000	OIL SEAL				1
22	40025300	OIL POT				1
23	SM3031401SE	SCREW M3X0.5 L=14				4
24	NM6030001SC	NUT M3				4
25	10748101	OIL REMOVING SETSCREW PACKING				8
26	WP0320501SC	WASHER M3				4
27	SK3241601SC	WOOD SCREW D=2.4 L=16				8
28	BT0630520Z0	HOLDER COVER				0.01
29	11155108	DRAWER				1
30	11155207	DRAWER SUPPORT				2
31	D8204555D00	DRAWER STOPPER				1
32	SK3311600SE	WOOD SCREW D=3.1 L=16				6
33	11157567	T LEG JUNCTION				1
34	SK3513200SC	WOOD SCREW D=5.1 L=32				4

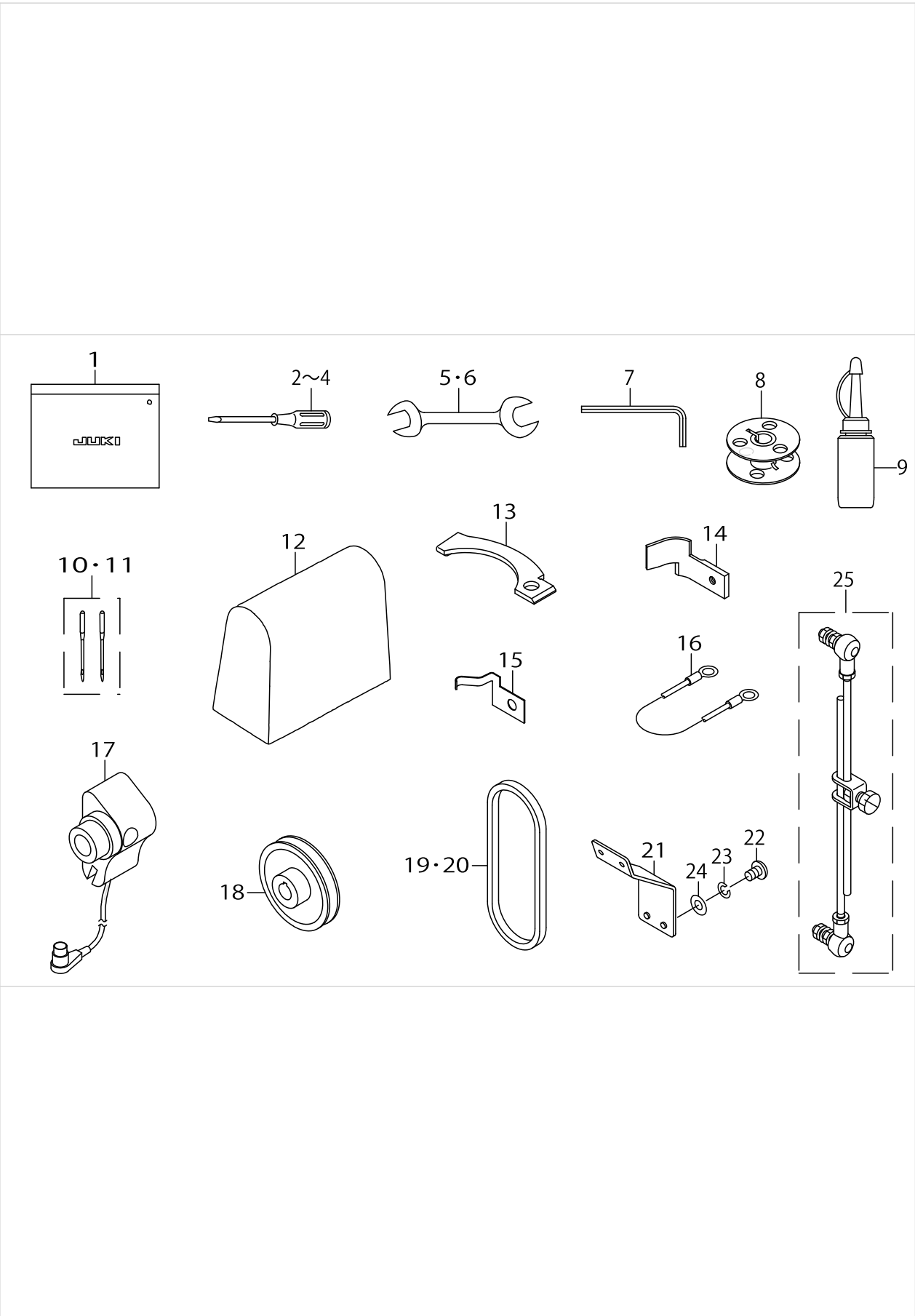
EXCLUSIVE PARTS FOR PLC-1660-7



EXCLUSIVE PARTS FOR PLC-1660-7

No.	Parts No.	Parts name	Remarks	Level	Cons	Qty
1	MAZ02508000	CORD HOLDER				2
2	EA9500B0000	CLIP CV-70S				3
3	D2414141E00	LORD BUSHING				1
4	10004109	GROUND MARK				1
5	SS6111140SP	SCREW 11/64-40 L=11				1
6	SS7110710SP	SCREW 11/64-40 L=7				1
7	WT0530002KS	TOOTHED WASHER D=5.3				1
8	HK03464000B	PIN CONTACT				8
9	HK034610140	HOUSING 14P				1
10	22951552	GROUND WIRE ASM.	FOR PLC-1660-7(SC-510)			1


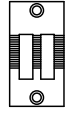
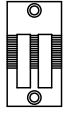
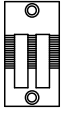
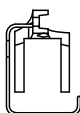
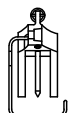
ACCESSORIES PARTS COMPONENTS


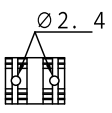
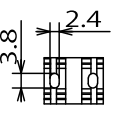
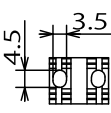
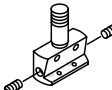
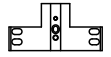


ACCESSORIES PARTS COMPONENTS

No.	Parts No.	Parts name	Remarks	Level	Cons	Qty
1	B9101552000	ACCESSORY BOX				1
2	22933006	SCREW DRIVER,LARGE				1
3	B9110012000	SCREW DRIVER, MIDDLE				1
4	B9111012000	SCREW DRIVER, SMALL				1
5	B9143372000	WRENCH (7.1 X 8.1)				1
6	B9113012000	WRENCH (9X10)				1
7	B9141372000	HEXAGONAL WRENCH, LARGE				1
8	10759603	ALUMINUM BOBBIN (DOUBLE-CUT)				2
9	B91212200A0	OILER (CONTAINING NO.2 OIL)				1
10	MC321001402	NEEDLE 134-35 #140-2				2
11	MC321001802	NEEDLE 134-35 #180-2	FOR PLC-1660L			2
12	10529808	COVER				1
13	23005804	MOVING KNIFE	FOR PLC-1660-7			1
14	23005903	FIXED KNIFE	FOR PLC-1660-7			1
15	23006000	CLAMP SPRING	FOR PLC-1660-7			1
16	10741759	GROUND WIRE ASM.	FOR PLC-1660-7 (HEAD ONLY DEL- IVERY TO JUS,JE)			1
17	40026920	SYNCHRONIZER ASM.	FOR PLC-1660-7(SC-510)			1
18	MTSP00750B0	MOTOR PULLEY ASM. P.C.D 75	FOR PLC-1660-7(SC-510)			1
19	MTJVH00530A	V BELT 53INCH	FOR PLC-1660-7(SC-510)			1
20	MTJVH00510A	V BELT 51INCH	FOR PLC-1660-7 (FLAT TABLE)			1
21	D1114245F00	PANEL THREAD GUIDE	FOR PLC-1660-7			1
22	SM4040601SC	SCREW M4X0.7 L=6	FOR PLC-1660-7			1
23	WS0410002KN	SPRING WASHER	FOR PLC-1660-7			1
24	WP0430800SC	WASHER M4	FOR PLC-1660-7			1
25	22958458	CONNECTING ROD ASM. B	EXCEPT PLC-1660-7			1

TABLE OF EXCHANGING GAUGE PARTS

PLC-1660	○		○		○		○		○	
PLC-1660L			○		○		○			
PLC-1660-7	○		○		○		○		○	
NEEDLE GAUGE SIZE 針 幅	THROAT PLATE 針 板				THROAT PLATE FOR LOWER TAPE ATTACHING 下テープ付用針板		PRESSER FOOT ASM. 押え足 (組)		PRESSER FOOT WITH GUIDE ガイド付き押え足	
	 Stitch length 縫ピッチ: 6 mm		 Stitch length 縫ピッチ: 1.0 mm		 Stitch length 縫ピッチ: 6mm					
mm	Ref.No	Part No.	Ref.No	Part No.	Ref.No	Part No.	Ref.No	Part No.	Ref.No	Part No.
3	1	230-15506		-		-	10	230-18955		-
6	2	230-15407		-		-	11	230-18856	14	230-29556
8	3	230-15100		-	8	230-15357	12	230-18757	15	230-29457
9.5	4	230-16009		-		-		-	16	230-19250
1.0	5	230-15001	7	230-16108	9	230-15258	13	230-18658	17	230-19854
1.2	6	230-15803		-		-		-	18	230-29655

PLC-1660	○		○		○		○		○	
PLC-1660L					○		○		○	
PLC-1660-7	○		○		○		○		○	
NEEDLE GAUGE SIZE 針 幅	FEED 送 り						NEEDLE CLAMP ASM. 針留 (組)		THROAT PLATE HOLDER 針板受け	
	 Ø 2.4		 2.4 3.8		 3.5 4.5					
mm	Ref.No	Part No.	Ref.No	Part No.	Ref.No	Part No.	Ref.No	Part No.	Ref.No	Part No.
3	19	230-20704		-		-	28	230-17858	34	230-17254
6	20	230-20605		-		-	29	230-17759	35	230-17155
8	21	230-20100	25	230-20308		-	30	230-17650	36	230-17056
9.5	22	230-21405		-		-	31	230-18005	37	230-16751
1.0	23	230-20001	26	230-20209	27	230-20407	32	230-17551	38	230-16959
1.2	24	230-21009		-		-	33	230-17908	39	230-16850


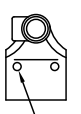
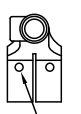
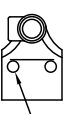
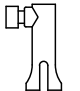

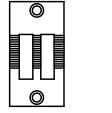
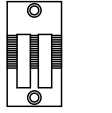
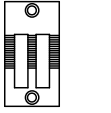
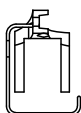
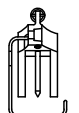

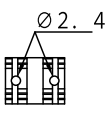
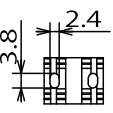
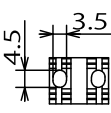
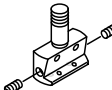
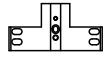
PLC-1660	○		○		○		○		○	
PLC-1660L					○		○		○	
PLC-1660-7	○		○		○		○		○	
NEEDLE GAUGE SIZE 針 幅	FEED FOOT ASM. 送り足 (組)		FEED FOOT ASM. WITH CENTER GUIDE 送り足 (組) センターガイド付		FEED FOOT ASM. 送り足 (組)		FEED FOOT FOR GUIDE ガイド用送り足			
	 Ø 2.1		 Ø 2.1		 Ø 3					
mm	Ref.No	Part No.	Ref.No	Part No.	Ref.No	Part No.	Ref.No	Part No.	Ref.No	Part No.
3	40	230-22957		-		-		-		-
6	41	107-83157		-		-	46	230-23559		-
8	42	107-83256	44	230-22759		-	47	230-23658		-
9.5		-		-		-	48	230-23153		-
1.0	43	107-83355		-	45	230-22551	49	230-23351		-
1.2		-		-		-	50	230-23757		-

TABLE OF EXCHANGING GAUGE PARTS

No.	Parts No.	Parts name	Remarks	Level	Cons	Qty
1	23015506	THROAT PLATE 3MM				1
2	23015407	THROAT PLATE 6MM				1
3	23015100	THROAT PLATE 8MM				1
4	23016009	THROAT PLATE 9.5MM				1
5	23015001	THROAT PLATE (10MM)				1
6	23015803	THROAT PLATE 12MM				1
7	23016108	THROAT PLATE (10MM)LONG PITCH				1
8	23015357	THROAT PLATE 8MM				1
9	23015258	THROAT PLATE 10MM				1
10	23018955	PRESSER FOOT ASM. 3MM	EXCEPT PLC-1660L			1
11	23018856	PRESSER FOOT ASM. 6MM				1
12	23018757	PRESSER FOOT ASM. 8MM	EXCEPT PLC-1660L			1
13	23018658	PRESSER FOOT ASM. 10MM				1
14	23029556	PRESSER FOOT WITH GUIDE ASM.				1
15	23029457	PRESSER FOOT WITH GUIDE ASM.				1
16	23019250	PRESSER FOOT WITH GUIDE ASM.				1
17	23019854	PRESSER FOOT WITH GUIDE ASM.				1
18	23029655	PRESSER FOOT WITH GUIDE ASM.				1
19	23020704	FEED 3MM,SPECIAL				1
20	23020605	FEED DOG 6MM				1
21	23020100	FEED DOG,8MM				1
22	23021405	FEED DOG,9.5MM				1
23	23020001	FEED DOG,10MM				1
24	23021009	FEED DOG,12MM				1
25	23020308	FEED DOG,8MM				1
26	23020209	FEED DOG,10MM				1
27	23020407	FEED DOG,10MM,LONG PITCH				1
28	23017858	NEEDLE CLAMP ASM. 3MM SPECIAL	EXCEPT PLC-1660L			1
29	23017759	NEEDLE CLAMP ASM. 6MM				1
30	23017650	NEEDLE CLAMP ASM. 8MM	EXCEPT PLC-1660L			1
31	23018005	NEEDLE CLAMP ASM. 9.5MM	EXCEPT PLC-1660L			1
32	23017551	NEEDLE CLAMP ASM. 10MM				1
33	23017908	NEEDLE CLAMP 12MM	EXCEPT PLC-1660L			1
34	23017254	THROAT PLATE HOLDER ASM. 3MM	EXCEPT PLC-1660L			1
35	23017155	THROAT PLATE HOLDER ASM. 6MM				1
36	23017056	THROAT PLATE HOLDER ASM. 8MM	EXCEPT PLC-1660L			1
37	23016751	THROAT PLATE HOLDER ASM.9.5MM	EXCEPT PLC-1660L			1
38	23016959	THROAT PLATE HOLDER ASM. 10MM				1
39	23016850	THROAT PLATE HOLDER ASM. 12MM	EXCEPT PLC-1660L			1
40	23022957	FEED FOOT ASM. 3MM				1
41	10783157	FEED FOOT ASM. 6MM				1
42	10783256	FEED FOOT ASM. 8MM				1
43	10783355	FEED FOOT ASM. 10MM				1
44	23022759	WALKING FOOT ASM. 8MM				1
45	23022551	FEED FOOT ASM. 10MM				1
46	23023559	FEED FOOT FOR GUIDE ASM. 6MM				1
47	23023658	FEED FOOT FOR GUIDE ASM. 8MM				1

TABLE OF EXCHANGING GAUGE PARTS

PLC-1660	○		○		○		○		○	
PLC-1660L			○		○		○		○	
PLC-1660-7	○		○		○		○		○	
NEEDLE GAUGE SIZE 針 幅	THROAT PLATE 針 板				THROAT PLATE FOR LOWER TAPE ATTACHING 下テープ付用針板		PRESSER FOOT ASM. 押え足 (組)		PRESSER FOOT WITH GUIDE ガイド付き押え足	
	 Stitch length 縫ピッチ: 6 mm		 Stitch length 縫ピッチ: 1.0 mm		 Stitch length 縫ピッチ: 6mm					
mm	Ref.No	Part No.	Ref.No	Part No.	Ref.No	Part No.	Ref.No	Part No.	Ref.No	Part No.
3	1	230-15506		-		-	10	230-18955		-
6	2	230-15407		-		-	11	230-18856	14	230-29556
8	3	230-15100		-	8	230-15357	12	230-18757	15	230-29457
9.5	4	230-16009		-		-		-	16	230-19250
1.0	5	230-15001	7	230-16108	9	230-15258	13	230-18658	17	230-19854
1.2	6	230-15803		-		-		-	18	230-29655

PLC-1660	○		○		○		○		○	
PLC-1660L					○		○		○	
PLC-1660-7	○		○		○		○		○	
NEEDLE GAUGE SIZE 針 幅	FEED 送 り						NEEDLE CLAMP ASM. 針留 (組)		THROAT PLATE HOLDER 針板受け	
	 ∅ 2.4		 2.4 3.8		 3.5 4.5					
mm	Ref.No	Part No.	Ref.No	Part No.	Ref.No	Part No.	Ref.No	Part No.	Ref.No	Part No.
3	19	230-20704		-		-	28	230-17858	34	230-17254
6	20	230-20605		-		-	29	230-17759	35	230-17155
8	21	230-20100	25	230-20308		-	30	230-17650	36	230-17056
9.5	22	230-21405		-		-	31	230-18005	37	230-16751
1.0	23	230-20001	26	230-20209	27	230-20407	32	230-17551	38	230-16959
1.2	24	230-21009		-		-	33	230-17908	39	230-16850


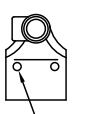

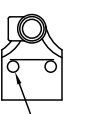
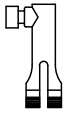
PLC-1660	○		○		○		○		○	
PLC-1660L					○		○		○	
PLC-1660-7	○		○		○		○		○	
NEEDLE GAUGE SIZE 針 幅	FEED FOOT ASM. 送り足 (組)		FEED FOOT ASM. WITH CENTER GUIDE 送り足 (組) センターガイド付		FEED FOOT ASM. 送り足 (組)		FEED FOOT FOR GUIDE ガイド用送り足			
	 ∅ 2.1		 ∅ 2.1		 ∅ 3					
mm	Ref.No	Part No.	Ref.No	Part No.	Ref.No	Part No.	Ref.No	Part No.	Ref.No	Part No.
3	40	230-22957		-		-		-		-
6	41	107-83157		-		-	46	230-23559		-
8	42	107-83256	44	230-22759		-	47	230-23658		-
9.5		-		-		-	48	230-23153		-
1.0	43	107-83355		-	45	230-22551	49	230-23351		-
1.2		-		-		-	50	230-23757		-

TABLE OF EXCHANGING GAUGE PARTS

No.	Parts No.	Parts name	Remarks	Level	Cons	Qty
48	23023153	FEED FOOT FOR GUIDE ASM. 9.5MM				1
49	23023351	FEED FOOT FOR GUIDE ASM. 10MM				1
50	23023757	FEED FOOT FOR GUIDE ASM. 12MM				1

HOW TO MAKE USE OF THIS PARTS LIST

1.Explanation of codes

1)"*"mark.....means this part is changed from the previous parts book.

As to the details of the change, refer to the "List for information of change".

2)"#01".....refer to "Note" explanation at bottom of page.

2.Codes on the "Qty" column

- Each numeral indicates the number of parts required.
- "0.1" and "2.5" indicate the length (in meters) of the respective parts.

3.Parentheses mean that the corresponding part is a subpart that constructs an assembly part.

4.Dotted lines on the Figures indicate assembly parts.

1."注記"欄の記号説明

1) "*"印.....前回のパーツブックに比較して今回変更された部品を意味します。

変更内容は、"変更情報リスト"を参照してください。

2) "#01".....ページ下の"注記"の説明を参照してください。

2.数量欄の数字は、個数を表し、0.1、2.5等の数値は、長さ（単位メートル）を表します。

3.数量欄の（ ）は、組部品を構成している子部品であることを意味します。

4.イラストページの-----枠は、組構成であることを意味します。

NUMERICAL INDEX OF PARTS

PART NO	PAGE	REF NO.	PART NO	PAGE	REF NO.	PART NO	PAGE	REF NO.
10004109	48	4	10311801	38	35	11155207	46	30
10088003	32	24	10312106	34	30	11157567	46	33
10106102	12	26	10312106	38	30	13516604	14	49~51
10107407	24	34	10312213	34	32	13516703	14	49~51
10107506	12	34	10312213	38	32	13519202	14	49~51
10107902	12	11	10315000	12	1	18035006	36	50
10111904	16	16~19	10315109	12	2	18035105	36	51
10112001	16	16~19	10315208	12	3	18035204	36	52
10112100	16	16~19	10315505	12	5	21026307	12	33
10112209	16	16~19	10320505	26	7	21048707	10	14
10116606	20	2	10320703	26	35	21055009	12	17·31
10116804	20	4	10321602	42	1	21379003	46	20
10116903	20	5	10321701	42	2	21427307	16	2
10117109	20	8	10355055	28	6	22537658	32	2
10117851	20	19	10439008	2	15	22538151	32	4
10119204	24	9	10502300	32	20	22538300	32	5
10119402	24	13	10503605	4	43	22538409	32	6
10119709	24	16	10509701	10	28	22602601	2	4
10119907	24	17	10528800	46	10	22603708	2	39
10120004	24	18	10529600	46	15	22603906	6	52
10124204	26	12	10529808	50	12	22609200	12	4
10124204	28	12	10539906	46	16	22609606	12	6
10124204	32	29	10618304	32	9	22610109	12	28
10124303	26	16	10704104	32	23	22610406	12	29
10124303	28	16	10704153	32	22	22611602	6	64
10124501	26	5	10723104	18	40	22611651	6	63
10124501	28	5	10741759	50	16	22617609	26	27
10124501	30	5	10748101	46	25	22617609	28	27
10161206	24	4	10759603	18	43	22617609	30	23
10161305	24	10	10759603	50	8	22618904	26	29
10201200	2	20	10772952	46	18	22618904	28	29
10204709	8	5	10774008	2	6	22618904	30	25
10207116	12	32	10783157	52	41	22814008	18	41
10207405	12	30	10783256	52	42	22904106	12	39
10212009	24	15	10783306	44	22·23	22904155	12	38
10301307	8	3	10783355	44	19·20	22912109	12	18
10301950	2	1	10783355	52	43	22933006	50	2~4
10305001	4	1	11071701	10	32	22951552	48	10
10305100	4	3	11071800	10	35	22958458	50	25
10305159	4	2	11072204	26	21	23000656	2	9
10308203	8	2	11072204	28	21	23000805	2	10
10310712	10	30	11072204	30	17	23000904	2	11
10311504	34	31	11072402	26	15	23001001	4	5
10311504	38	31	11072402	28	15	23001100	4	23·24
10311801	34	35	11155108	46	29	23001209	4	23·24

NUMERICAL INDEX OF PARTS

PART NO	PAGE	REF NO.	PART NO	PAGE	REF NO.	PART NO	PAGE	REF NO.
23001308	4	35	23005804	50	13	23015001	52	5
23001407	4	36	23005903	20	29	23015100	52	3
23001506	4	37	23005903	50	14	23015258	52	9
23001605	4	44	23006000	20	30	23015357	52	8
23001704	4	47	23006000	50	15	23015407	52	2
23001803	6	50	23006109	20	31	23015506	52	1
23001902	6	51	23006208	20	32	23015803	52	6
23002108	8	4	23006307	20	33	23016009	52	4
23002207	8	6	23006406	26	1	23016108	44	1·2
23002306	8	9	23006406	28	1	23016108	52	7
23002405	8	10	23006406	30	1	23016751	52	37
23002504	8	17	23006505	10	1	23016850	52	39
23002603	8	18	23006604	10	3	23016900	44	3
23002702	8	19	23006703	10	4	23016959	52	38
23002801	10	33	23006802	10	5	23017056	52	36
23002959	10	41	23006901	10	6	23017155	52	35
23003007	10	15	23007008	8	39	23017254	52	34
23003106	12	7·75	23007107	10	13·16	23017502	44	10
23003254	12	8	23007206	10	13·16	23017551	44	9
23003304	12	10	23007305	12	25	23017551	52	32
23003353	12	9	23007404	2	3	23017650	52	30
23003403	12	14·15·76	23007503	44	4	23017759	52	29
23003502	16	27·30	23007602	44	5	23017858	52	28
23003601	12	22	23007750	26	6	23017908	52	33
23003700	12	24	23007768	26	3	23018005	52	31
23003809	12	27	23007859	30	6	23018609	44	13
23003908	12	46	23007867	30	3	23018658	44	12
23004005	12	47	23008006	4	20	23018658	52	13
23004104	8	22	23008055	4	19	23018757	52	12
23004104	14	48	23008105	16	20	23018856	52	11
23004203	16	1	23008303	8	8	23018955	52	10
23004302	16	3	23008402	24	8	23019250	52	16
23004500	16	12	23009509	14	55	23019409	44	14
23004609	16	13	23009608	10	22	23019854	52	17
23004708	16	29	23009756	32	3	23020001	44	15~17
23004906	16	15	23009764	32	1	23020001	52	23
23005002	20	14	23012602	46	11·17	23020100	52	21
23005051	20	1	23012701	46	11·17	23020209	44	15~17
23005101	20	21	23012859	46	1	23020209	52	26
23005200	20	22	23012909	46	2	23020308	52	25
23005309	20	39	23013006	46	3	23020407	44	15~17
23005358	20	38	23013105	46	4	23020407	52	27
23005507	20	23	23014608	42	12	23020605	52	20
23005606	20	20	23014806	20	24	23020704	52	19
23005804	20	28	23015001	44	1·2	23021009	52	24

NUMERICAL INDEX OF PARTS

PART NO	PAGE	REF NO.	PART NO	PAGE	REF NO.	PART NO	PAGE	REF NO.
23021405	52	22	40025467	14	7-75	B16232010AA	12	14-15-76
23021900	20	40	40026920	50	17	B162438000A	12	35
23022007	20	7	40032259	2	2	B1633470000	12	16
23022106	16	10-11	A321600100A	32	10	B1636581B00	12	23
23022205	16	10-11	B1114280000	24	20	B1639051000	6	48
23022353	28	3	B1114517000	2	40	B1653470000	12	21
23022502	44	22-23	B1129051000	2	7	B1807512000	16	4
23022551	44	19-20	B1129521000	2	5	B1816512000	16	5
23022551	52	45	B1140526000	2	8	B1905520000	4	12
23022759	52	44	B1148555000	32	12	B19055200A0	4	11
23022957	52	40	B1202512000	4	4	B1906051000	4	6
23023153	54	48	B1203512000	4	21	B1907057000	4	13
23023351	54	49	B1206051000	4	16	B1907526000	4	8
23023559	52	46	B1210051000	4	17	B3120125000	26	20
23023658	52	47	B1214019000	4	34	B3120125000	28	20
23023757	54	50	B1305055000A	4	38	B3120125000	30	16
23025000	18	30	B1307055000	4	39	B3125012000	26	34
23025059	18	1	B1308055000	4	40	B3125012000	28	34
23025158	18	3	B1309055000	4	41	B3125012000	30	30
23025208	18	5	B1310055000	4	42	B3125527000	26	33
23025257	18	4	B1313055000	4	45	B3125527000	28	33
23025307	18	37	B1314055000	4	46	B3125527000	30	29
23025802	18	34	B1408051000	4	15	B3126012000	30	11
23025901	18	38	B1410771000	8	11	B3126051000	26	17
23026107	18	35	B1411057000	8	20	B3126051000	28	17
23026206	18	36	B1412051000	8	21	B3126051000	30	12
23026404	18	39	B1414232000	8	12~14	B3127051000	26	10
23026503	18	7	B141423200A	8	12~14	B3127051000	28	10
23026602	18	10	B141423200B	8	12~14	B3127051000	30	10
23027063	18	31	B1414555000	10	9	B3127527000	26	9
23027105	18	20	B1437051000	8	16	B3127527000	28	9
23027154	18	19	B1450057000	4	32	B3127527000	30	9
23028004	18	33	B1455053000	10	2	B3128051000	26	4
23028053	18	29	B1461245000	10	17	B3128051000	28	4
23028061	18	32	B1462053000	10	38	B3128051000	30	4
23029457	52	15	B14670530A0	10	10	B3128527000	26	26
23029556	52	14	B1468053000	10	11	B3128527000	28	26
23029655	52	18	B1501141H00	10	34	B3128527000	30	22
23039159	18	16	B1502246000	10	36	B3129053000	26	19
23041304	16	14	B1509141H00	10	29	B3129053000	28	19
40016538	8	1	B1513280000	12	17-31	B3129053000	30	15
40024970	38	39	B152989000CA	32	8	B3132051000	26	18
40025299	46	19	B1604012000A	12	19	B3132051000	28	18
40025300	46	22	B1610512000	12	20	B3132051000	30	13
40025359	40	51	B16231450A0	14	14-15-76	B3134521000	28	7

NUMERICAL INDEX OF PARTS

PART NO	PAGE	REF NO.	PART NO	PAGE	REF NO.	PART NO	PAGE	REF NO.
B3134521000	30	7	CM3002000B1	2	16	GAK29011000	38	43
B31375270A0	26	23	CM300200101	2	18·19	GAK29015000	38	46
B31375270A0	28	23	CM3002001A1	2	18·19	GAK29016000	38	47
B31375270A0	30	19	CQ200000000	4	7	GAK33011000	34	7
B3138512000	2	42	CQ202000000	4	14	GAK33011000	38	7
B3138527000	26	30	CQ202000000	8	15	GAK33012000	34	9
B3138527000	28	30	CQ202000000	12	45	GAK33012000	38	9
B3138527000	30	26	CQ202000000	42	7	GAK33013000	34	8
B3139527000	26	25	CQ252000000	4	9	GAK33013000	38	8
B3139527000	28	25	CQ303000000	4	18	GAK33014000	34	14
B3139527000	30	21	CS0700811SH	20	37	GAK33014000	38	14
B3141527000	26	32	CS0950810SH	20	34	GAK33024000	34	26
B3141527000	28	32	CS0950816SH	20	35	GAK33024000	38	26
B3141527000	30	28	CS1021211SH	12	36	GAK33027000	34	19
B3142527000	26	24	D1114245F00	50	21	GAK33027000	38	19
B3142527000	28	24	D1454055B00	10	8	GAK33028000	34	20
B3142527000	30	20	D1455055B00	10	7	GAK33028000	38	20
B3143527000	26	22	D1456055B00	10	21	GAK33035000	34	6
B3143527000	28	22	D1462241E00	10	18	GAK33035000	38	6
B3143527000	30	18	D1463241E00	10	19	GAK81007000	34	40
B3205210000	32	11	D1680141EA0	24	3	GAK81008000	34	41
B3213205000	32	18	D1681241E0A	24	1	GAK81009000	34	42
B3214047000	26	13	D1684141E00A	24	14	GAK88040000	34	38
B3214047000	28	13	D1687141E00	24	23	GAK88040000	38	38
B3214047000	32	28	D2414141E00	48	3	GAKA1401000	38	40
B3216047000	32	26	D2427555B00B	20	15	GAKA14030A0	38	42
B3417051000	20	41	D2428555B00A	20	16	GAKA16010A0	34	1
B3508512000	42	6	D2430555B00	20	17	GAKA16010A0	38	1
B3526226000	42	3	D2436245E00	22	50	GAKA16020A0	34	16
B8112220000	46	21	D2464555B00	24	11	GAKA16020A0	38	16
B8206012000	46	13	D2515232D00	24	19	GAKA16020B0	34	17
B8209012000	46	14	D3129555D00	30	14	GAKA16020B0	38	17
B8213012000	46	12	D3168555H0B	26	14	GAKA16030A0	34	2
B9101552000	50	1	D3168555H0B	28	14	GAKA16030A0	38	2
B9110012000	50	2~4	D3168555H0B	32	27	GAKA1604000	34	4
B9111012000	50	2~4	D8204555D00	46	31	GAKA1604000	38	4
B9113012000	50	5·6	D8232141E00	46	5	GAKA1605000	34	5
B91212200A0	50	9	EA9500B0000	42	13	GAKA1605000	38	5
B9141372000	50	7	EA9500B0000	48	2	GAKA1606000	34	18
B9143372000	50	5·6	EA9500B0200	36	54	GAKA1606000	38	18
BP800000000	42	4	EA9502B0500	42	5	GAKA16070A0	34	34
BT0600401EB	36	49	F1021003000	36	58	GAKA16070A0	38	34
BT0600401EB	40	50	GAK29007000	38	41	GAKA16080A0	34	39
BT0630520Z0	46	28	GAK29009000	38	44	HK034610140	48	9
CM300200001	2	17	GAK29010000	38	45	HK03464000B	48	8

NUMERICAL INDEX OF PARTS

PART NO	PAGE	REF NO.	PART NO	PAGE	REF NO.	PART NO	PAGE	REF NO.
HX001230000	40	52	PS060024100	42	11	SM3031401SE	46	23
MAT80110L00	2	33	PS0600502KP	26	2	SM4032501SB	40	54
MAT81126T00	24	2	PS0600502KP	28	2	SM4040601SC	50	22
MAZ02508000	48	1	PS0600502KP	30	2	SM4061001SB	40	53
MC321001400	8	23·24	PT0302000S0	8	7	SM6020450TP	22	51
MC321001402	50	10·11	PV010502000	34	46	SM6040552TP	44	21
MC321001800	8	23·24	PX020002000	34	45	SM6040802TP	16	23
MC321001802	50	10·11	RC0560711KP	32	13	SM6061602TP	14	53
MTJVH00510A	50	19·20	RC0740811KP	14	74	SM6061602TP	16	21
MTJVH00530A	50	19·20	RE0400000K0	24	12	SM6081802TP	34	13
MTSP00750B0	50	18	RE0500000K0	6	53	SM6081802TP	38	13
NM6030001SC	46	24	RE0500000K0	14	71	SM8040402TP	22	52
NM6040001SC	36	61	RE0500000K0	32	14	SM8050502TP	14	68
NM6050001SP	20	48	RE0500711KP	12	42	SM8050502TP	34	11
NM6050001SP	22	48	RE0600000K0	24	35	SM8050502TP	38	11
NM6080001SE	34	12	RE0700000K0	34	25	SM8060802TP	6	61
NM6080001SE	38	12	RE0700000K0	38	25	SM8061002TP	4	22
NS6110310SP	26	11	RE0800000K0	10	26	SM9061850SC	34	43
NS6110310SP	28	11	RE1200000K0	6	60	SS1092810SP	18	42
NS6110310SP	32	25	RO074240100	12	41	SS2090520SL	2	37
NS6110310SP	42	10	RO092270200	32	15	SS2090810SP	44	8
NS6110350SP	26	39	SB120000200	6	65	SS2110920TP	20	13
NS6110530SP	10	27	SD0470281SP	26	8	SS3090610SP	2	38
NS6150310SP	8	29	SD0470281SP	28	8	SS4110815SP	14	62
NS6150310SP	14	70	SD0470281SP	30	8	SS5110810SP	44	6
NS6150310SP	34	29	SD0640322TP	6	55	SS6090620SP	32	21
NS6150310SP	38	29	SD0640325SP	22	58	SS6090620SP	44	7
NS6150430SP	20	10	SD0720331SP	24	22	SS6092120SP	8	33
NS6150430SP	24	29	SD0720331SP	34	37	SS6110480SP	2	14
NS6620310SP	2	41	SD0720331SP	38	37	SS6110480SP	22	49
NS6680320SP	8	27	SD0790361SP	34	33	SS6110480SP	34	27
NS6680320SP	14	69	SD0790361SP	38	33	SS6110480SP	38	27
PA400200200	34	3	SD0790601SP	14	56	SS6110520TP	8	30
PA400200200	38	3	SD0800422CP	12	44	SS6110610TP	46	9
PC012601000	36	53	SD0800481SP	10	37	SS6110710SP	14	60
PF0552100A0	36	56	SD0900701TP	8	25	SS6111010SP	20	11
PH0300062C0	16	26	SD0900701TP	12	43	SS6111140SP	2	31
PJ046059002	34	47	SK3241601SC	46	27	SS6111140SP	22	55
PJ301060504	36	48	SK3311600SE	46	32	SS6111140SP	26	38
PJ301065104	34	15	SK3482500SC	40	56	SS6111140SP	48	5
PJ301065104	38	15	SK3513200SC	36	55	SS6120940SP	22	56
PJ304065201	36	57	SK3513200SC	46	34	SS6121010SP	20	47
PS0200182KR	2	12	SL4030691SC	40	55	SS6121030SP	32	17
PS0400322KP	24	21	SL4041091SC	34	44	SS6121050SP	14	63
PS0500142KP	2	45	SL4041291SC	36	59	SS6121210SP	20	46

NUMERICAL INDEX OF PARTS

PART NO	PAGE	REF NO.	PART NO	PAGE	REF NO.	PART NO	PAGE	REF NO.
SS6121210TP	38	10	SS7620750SP	24	5	SS9151440CP	12	12
SS6121212TP	34	23	SS7621040SP	10	25	TA1250406R0	2	47
SS6121212TP	38	23	SS7621040SP	24	6	TA1250504R0	2	28
SS6121610TP	8	32	SS7621040SP	32	16	TA1270502R0	2	26
SS6121610TP	14	61	SS7681750TP	4	56	TA2100904R0	2	22
SS6151040SP	20	45	SS7681750TP	6	56	TA2351004R0	2	46
SS6151220SP	20	3	SS8080660TP	44	11	WP0320501SC	46	26
SS6661110SP	6	49	SS8090410SP	6	57	WP0370316SD	10	42
SS6661110SP	14	64	SS8110410TP	20	59	WP0371026SD	8	26
SS7080520SP	2	13	SS8110410TP	22	59	WP0430800SC	50	24
SS7090520SP	2	43	SS8110422TP	32	7	WP0430801SC	36	60
SS7090520SP	26	31	SS8110510SP	22	53	WP0482086SD	10	20
SS7090520SP	28	31	SS8110520TP	22	54	WP0501016SD	20	57
SS7090520SP	30	27	SS8111010TP	20	12	WP0501016SD	22	57
SS7090530SP	34	36	SS8111610SP	32	19	WP0501016SD	24	33
SS7090530SP	38	36	SS8150310SP	10	31	WP0621016SD	12	13
SS7090710SP	14	52	SS8150510TP	6	62	WP0621016SD	24	30
SS7091110TP	10	39	SS8150710SP	16	24	WP0650876SD	8	36
SS7091110TP	44	24	SS8150710TP	16	28	WP0651056SD	14	54
SS7110410SP	44	18	SS8150760TP	4	31	WP0651056SD	16	22
SS7110510SP	10	23	SS8150822TP	4	30	WP0753016SZ	20	9
SS7110510SP	14	66	SS8150912TH	4	29	WP1021016SD	34	24
SS7110510SP	26	36	SS8150920SP	8	37	WP1021016SD	38	24
SS7110510SP	46	8	SS8151150SP	14	57	WS0310002KR	26	37
SS7110710SP	2	34	SS8151150SP	16	8	WS0410002KN	50	23
SS7110710SP	14	65	SS8151230SP	6	58	WS0631510KP	24	31
SS7110710SP	24	28	SS8151550SP	4	10	WT0530002KS	48	7
SS7110710SP	26	40	SS8151550SP	10	12			
SS7110710SP	28	35	SS8152030SP	20	6			
SS7110710SP	30	31	SS8660530TP	16	25			
SS7110710SP	42	8	SS8660610TP	4	33			
SS7110710SP	48	6	SS8660610TP	12	40			
SS7110720SP	8	38	SS8660810TP	14	73			
SS7110840SP	10	24	SS8660810TP	16	9			
SS7110910SP	2	44	SS8661012TP	20	43			
SS7110910SP	8	35	SS8661030SP	6	66			
SS7110910SP	14	59	SS8661040TP	14	72			
SS7111140SP	42	9	SS8680540SP	4	27			
SS7111310SP	10	40	SS8680730SP	4	28			
SS7111310TP	8	34	SS8681650TP	4	26			
SS7111310TP	14	67	SS8681950SP	6	59			
SS7120760SP	6	67	SS9111010SP	2	32			
SS7121410SP	24	24	SS9111010SP	24	26			
SS7151210SP	24	27	SS9151160CP	34	28			
SS7151610SP	20	44	SS9151160CP	38	28			