

MODEL : FU-01S/FU-01L反転クランプ

List No : 1172-01

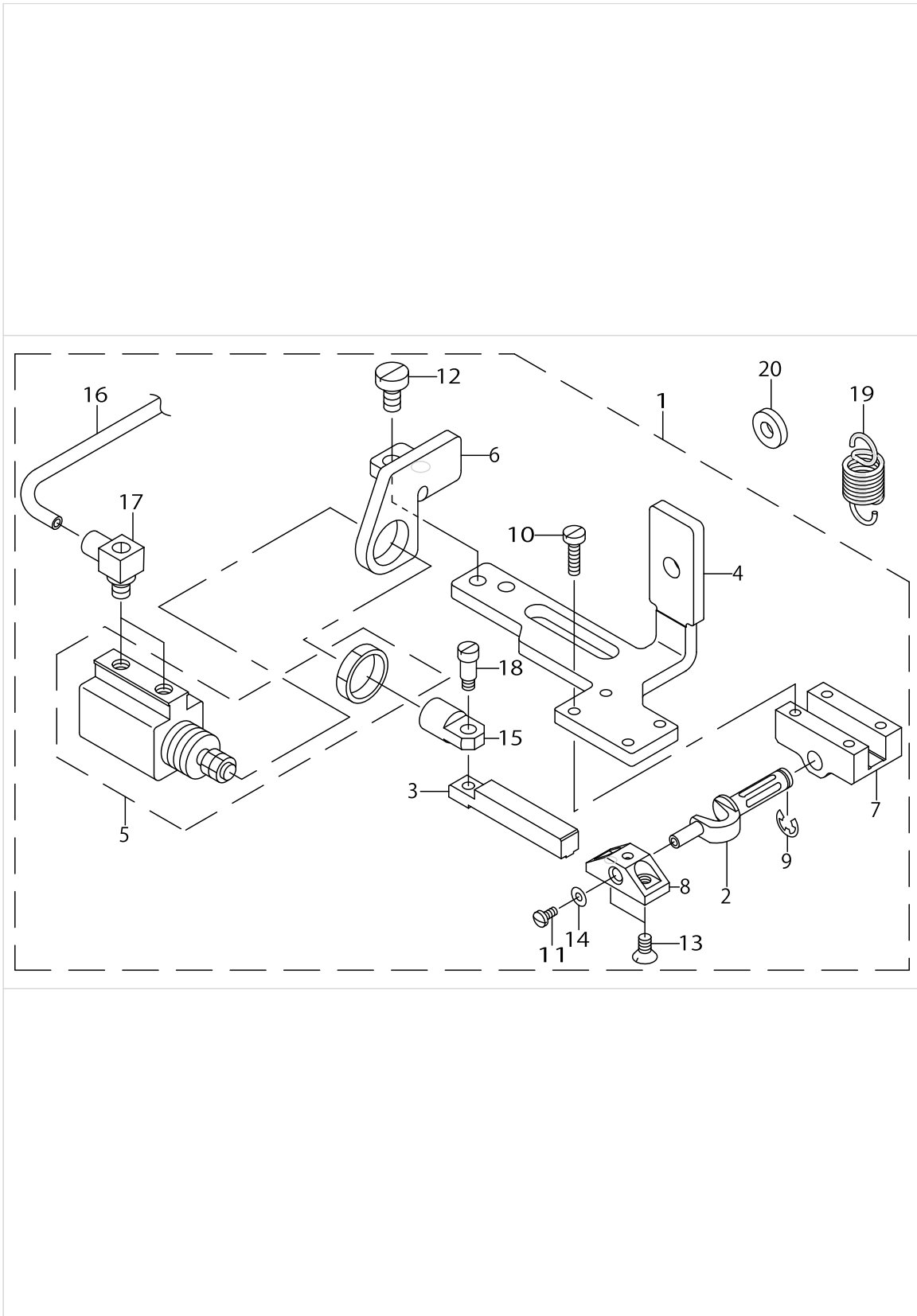
PARTS LIST

Published:09/10/2017

CONTENTS

TUAN AROUND MECHANISM COMPONENTS (1).....	1
TUAN AROUND MECHANISM COMPONENTS (2).....	3
PNEUMATIC COMPONENTS (FOR FU-01S).....	5
PNEUMATIC COMPONENTS (FOR FU-01L).....	7
HOW TO MAKE USE OF THIS PARTS LIST	9

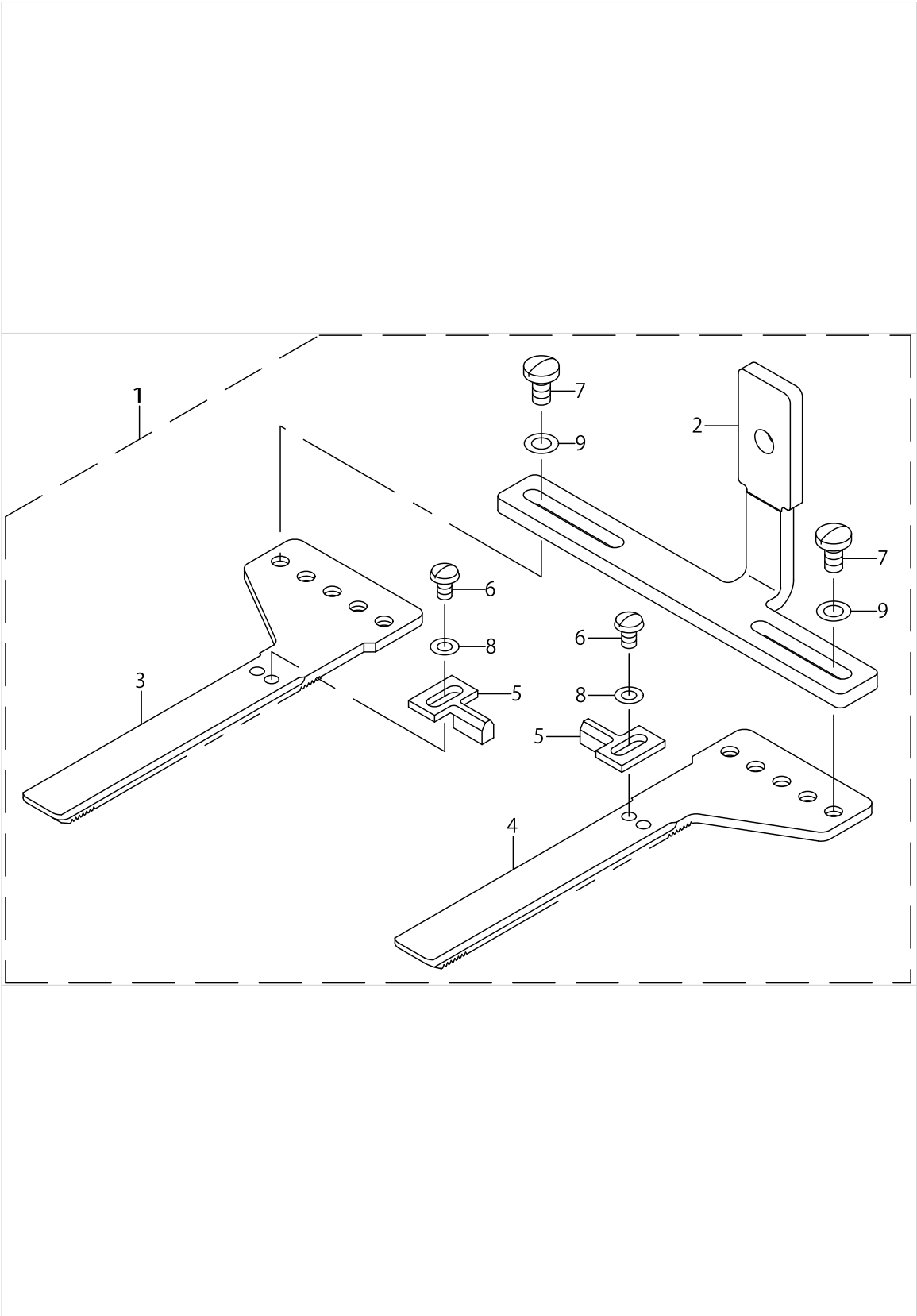
TUAN AROUND MECHANISM COMPONENTS (1)



TUAN AROUND MECHANISM COMPONENTS (1)

No.	Parts No.	Parts name	Remarks	Level	Cons	Qty
1	GFU010030A0	SLIDE PLATE ASM.				1
2	GFU01001000	TURN AROUND CRANK SHAFT		*		1
3	GFU01002000	INVERTING LAC		*		1
4	GFU01003000	INNER PRESSER SLIDE PLATE		*		1
5	PA1600801A0	AIR CYLINDER		*		1
6	GFU01006000	TURN CYLINDER BRACKET		*		1
7	B4303210000	TURN AROUND CRANK BEARING		*		1
8	B4314210000	INTERMEDIATE PRESSER BASE		*		1
9	RE0400000K0	E-RING 4		*		1
10	SS6081210SP	SCREW 1/8-44 L=12		*		4
11	SS7060610SP	SCREW 3/32-56 L= 5.5		*		1
12	SS6120940SP	SCREW 3/16-28 L=9		*		2
13	SS1090750SP	SCREW 9/64-40 L=7		*		2
14	WP0250516SD	WASHER 2.5X6X0.5		*		1
15	B4306220000	KNUCKLE		*		1
16	BT0400251EB	URETHANE HOSE, BLACK		*		1.3
17	PJ046052503	HOSE ELBOW		*		2
18	SD0460703TP	HINGE SCREW D=4.6 H=7		*		1
19	GFU01007000	SPRING	FOR FU-01S			1
20	WP0502616SD	WASHER				1

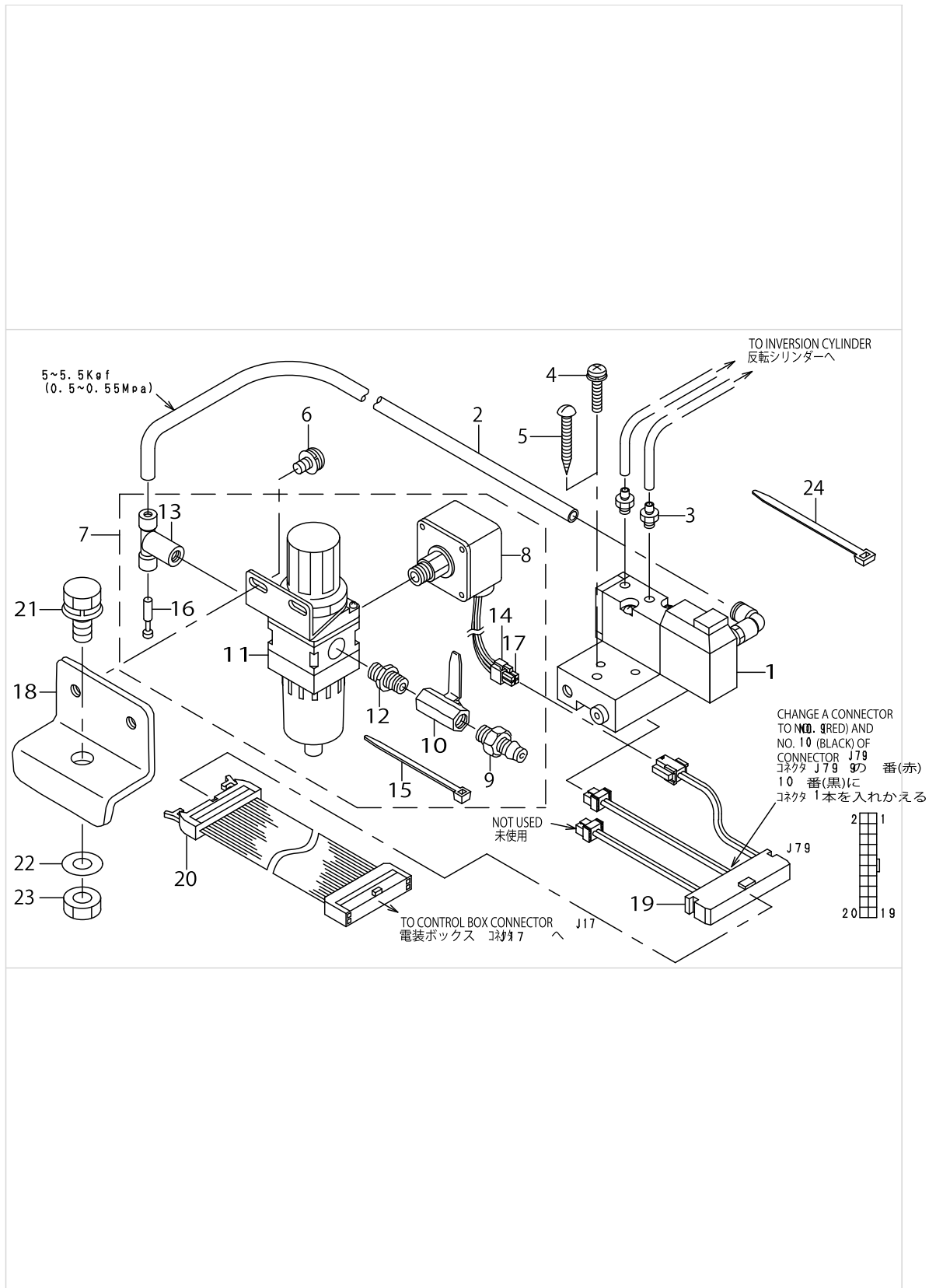
TUAN AROUND MECHANISM COMPONENTS (2)



TUAN AROUND MECHANISM COMPONENTS (2)

No.	Parts No.	Parts name	Remarks	Level	Cons	Qty
1	GFU010040A0	OUTER PRESSER SLIDE PLATE ASM.				1
2	GFU01004000	OUTER PRESSER SLIDE PLATE		*		1
3	D255121XX00	WALKING FOOT (A)		*		1
4	D255221XX00	WALKING FOOT (B)		*		1
5	D255421XX00	COMPENSATING FOOT		*		2
6	SS5090610SP	SCREW 9/64-40 L=6		*		2
7	SS7110840SP	SCREW 11/64-40 L=7.8		*		4
8	WP0371026SD	WASHER 3.7X7X1		*		2
9	WP0480856SP	WASHER 4.8X8.4X0.8		*		4

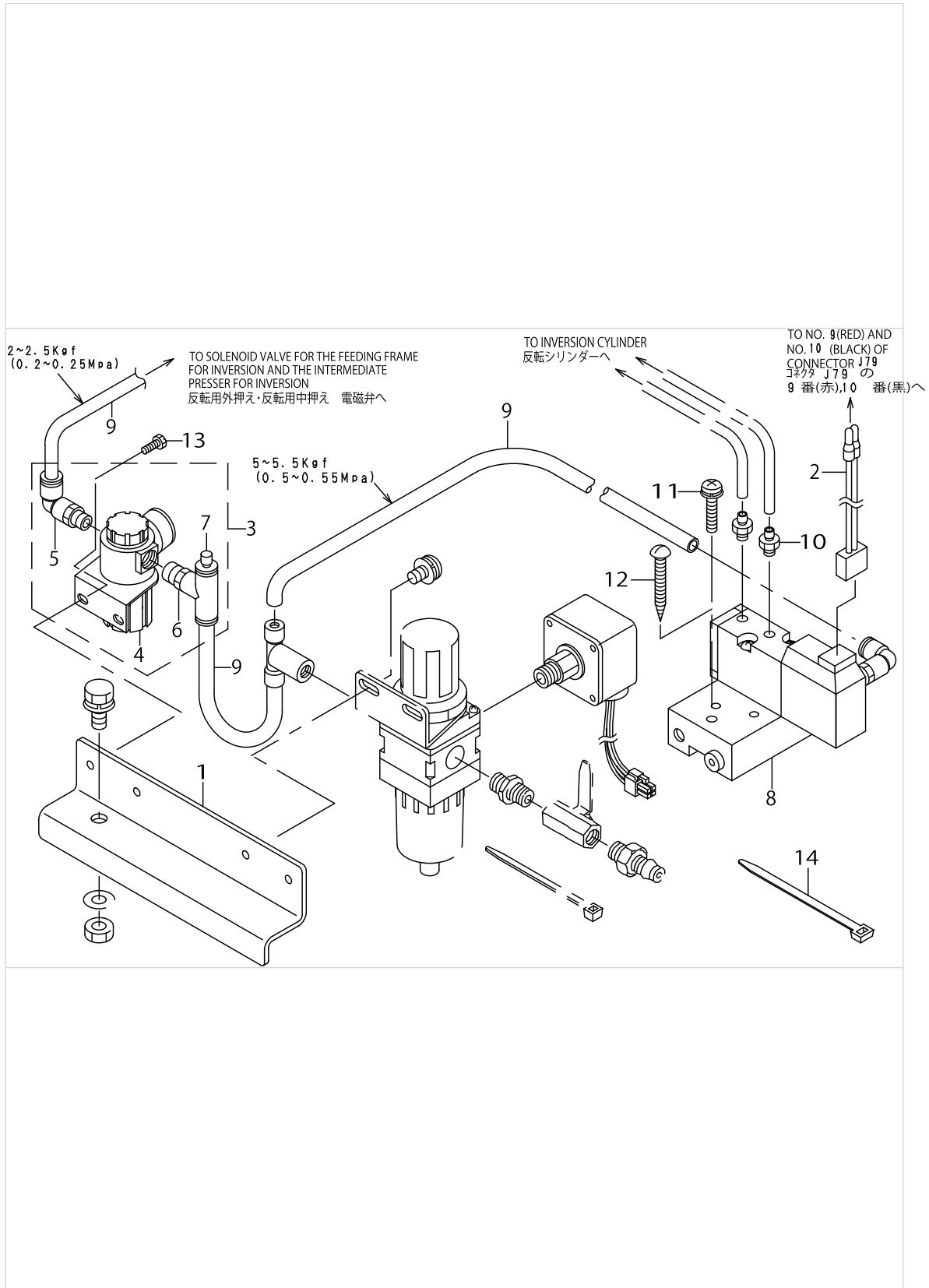
PNEUMATIC COMPONENTS (FOR FU-01S)



PNEUMATIC COMPONENTS (FOR FU-01S)

No.	Parts No.	Parts name	Remarks	Level	Cons	Qty
1	B4717223C00	SOLENOID VALVE				1
2	BT0600401EB	TUBE				1.3
3	PJ032052503	HOSE NIPPLE				2
4	SL4042081SC	SCREW				2
5	SK3413200SC	WOOD SCREW D=4.1 L=32				2
6	SL4051091SC	SCREW M5X0.8 L=10				2
7	B47152150A0	FILTER REGULATOR ASM.				1
8	G8124270000	AIR PRESSUE SWITCH		*		1
9	PJ309005203	QUICK JOINT PLUG		*		1
10	G5430116000	AIR COCK		*		1
11	PF0552040B0	FILTER REGULATOR		*		1
12	PJ030520001	RING JOINT (NIPPLE)		*		1
13	PJ305065202	TEE		*		1
14	HK034610040	HOUSING		*		1
15	EA9500B0100	CABLE BAND		*		5
16	PX950009000	PLUG		*		1
17	HK034640000	PIN CONTACT		*		3
18	B8211206000	FILTER INSTALLING PLATE				1
19	M90155800A0	SOLENOID VALVE CABLE ASM.				1
20	M90145800A0	SOLENOID CONNECTING CABLE ASM.				1
21	SL9082093SE	SCREW				1
22	WP0871602SE	WASHER 8.7X18X1.6				1
23	NM6080721SE	NUT M8				1
24	EA9500B0100	CABLE BAND				3

PNEUMATIC COMPONENTS (FOR FU-01L)



PNEUMATIC COMPONENTS (FOR FU-01L)

No.	Parts No.	Parts name	Remarks	Level	Cons	Qty
1	GFU01008000	REGULATOR FITTING PLATE				1
2	B47122150A0	SOLENOID VALVE CONNECTOR ASM.				1
3	GFU010090A0	LOW PRESSURE REGULATOR ASM.				1
4	PF025208000	REGULATOR		*		1
5	PJ304045203	ELBOW UNION		*		1
6	PJ305065202	TEE		*		1
7	PX950009000	PLUG		*		1
8	B4717223C00	SOLENOID VALVE				1
9	BT0600401EB	TUBE				1.6
10	PJ032052503	HOSE NIPPLE				2
11	SL4042081SC	SCREW				2
12	SK3413200SC	WOOD SCREW D=4.1 L=32				2
13	SL4051091SC	SCREW M5X0.8 L=10				2
14	EA9500B0100	CABLE BAND				3

HOW TO MAKE USE OF THIS PARTS LIST

1.As to "#01" and "#02" refer to the "Note" given at the bottom of the respective pages.

2.Codes on the "Qty" column

- Each numeral indicates the number of parts required.
- "0.1" and "2.5" indicate the length (in meters) of the respective parts.

3.Parentheses mean that the corresponding part is a subpart that constructs an assembly part.

4.Dotted lines on the Figures indicate assembly parts.

1. リストページの# 0 1、# 0 2の印は、ページ下の"注記"の説明を参照下さい。
2. 数量欄の数字は、個数を表し、0. 1、2. 5等の数値は、長さ（単位メートル）を表します。
3. 数量欄の（ ）は、組部品を構成している子部品であることを意味します。
4. イラストページの-----枠は、組構成であることを意味します。

NUMERICAL INDEX OF PARTS

PART NO	PAGE	REF NO.	PART NO	PAGE	REF NO.
B4303210000	2	7	PX950009000	8	7
B4306220000	2	15	RE0400000K0	2	9
B4314210000	2	8	SD0460703TP	2	18
B47122150A0	8	2	SK3413200SC	6	5
B47152150A0	6	7	SK3413200SC	8	12
B4717223C00	6	1	SL4042081SC	6	4
B4717223C00	8	8	SL4042081SC	8	11
B8211206000	6	18	SL4051091SC	6	6
BT0400251EB	2	16	SL4051091SC	8	13
BT0600401EB	6	2	SL9082093SE	6	21
BT0600401EB	8	9	SS1090750SP	2	13
D255121XX00	4	3	SS5090610SP	4	6
D255221XX00	4	4	SS6081210SP	2	10
D255421XX00	4	5	SS6120940SP	2	12
EA9500B0100	6	24	SS7060610SP	2	11
EA9500B0100	8	14	SS7110840SP	4	7
G5430116000	6	10	WP0250516SD	2	14
G8124270000	6	8	WP0371026SD	4	8
GFU01001000	2	2	WP0480856SP	4	9
GFU01002000	2	3	WP0502616SD	2	20
GFU01003000	2	4	WP0871602SE	6	22
GFU010030A0	2	1			
GFU01004000	4	2			
GFU010040A0	4	1			
GFU01006000	2	6			
GFU01007000	2	19			
GFU01008000	8	1			
GFU010090A0	8	3			
HK034610040	6	14			
HK034640000	6	17			
M90145800A0	6	20			
M90155800A0	6	19			
NM6080721SE	6	23			
PA1600801A0	2	5			
PF025208000	8	4			
PF0552040B0	6	11			
PJ030520001	6	12			
PJ032052503	6	3			
PJ032052503	8	10			
PJ046052503	2	17			
PJ304045203	8	5			
PJ305065202	6	13			
PJ305065202	8	6			
PJ309005203	6	9			
PX950009000	6	16			