

MODEL : LZ-2280N/LZ-2280N-7/LZ-2282N/LZ-2282N-7/LZ-2282NU-7/
LZ-2286NU-7/LZ-2288NU-7
List No : 1160-13

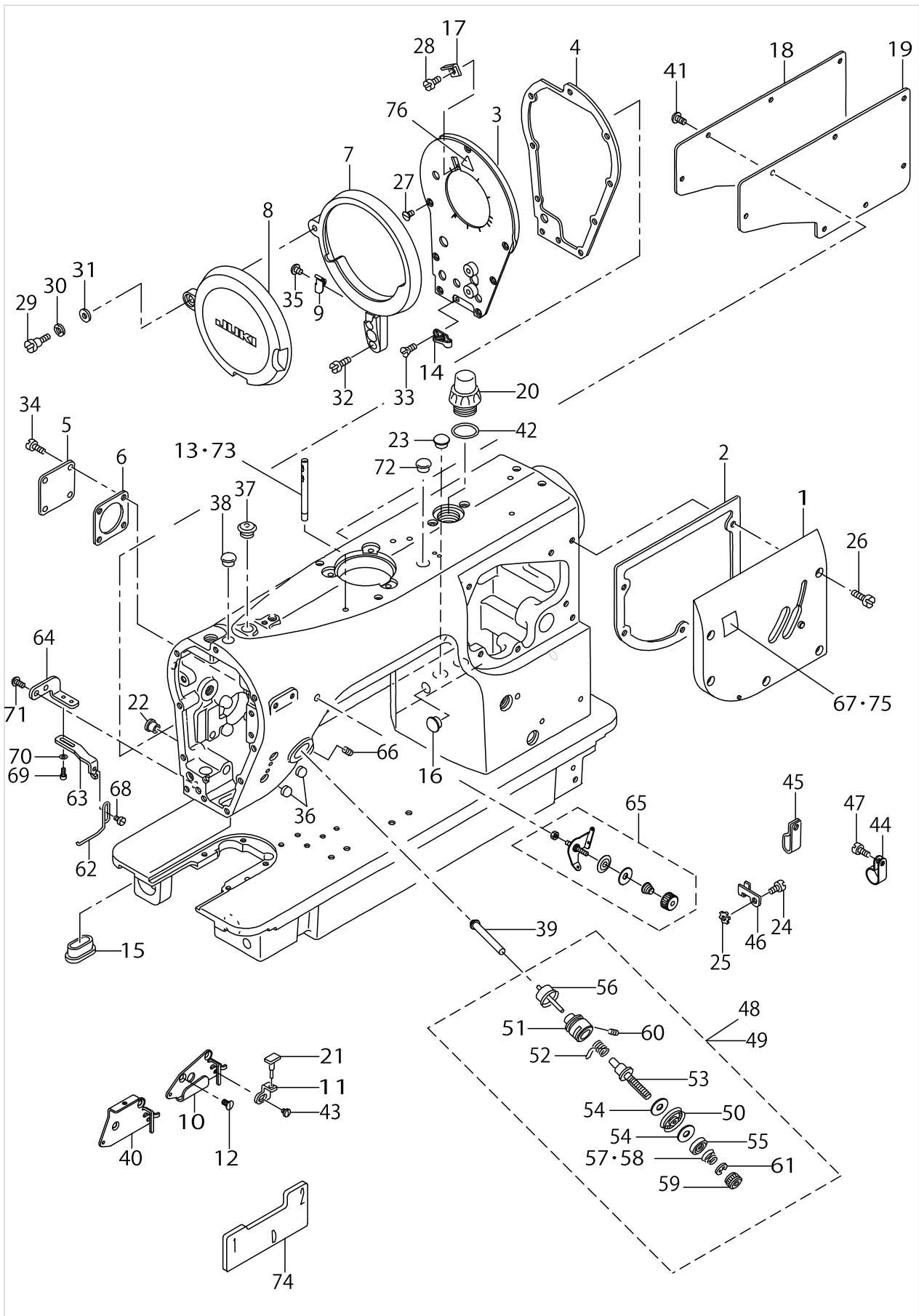
PARTS LIST

Published:09/10/2017

CONTENTS

FRAME & MISCELLANEOUS COVER COMPONENTS (1)	1
FRAME & MISCELLANEOUS COVER COMPONENTS (2)	5
FRAME & MISCELLANEOUS COVER COMPONENTS (3)	7
MAIN SHAFT & NEEDLE BAR COMPONENTS.....	9
NEEDLE VIBRATOR & ADJUSTMENT COMPONENTS (1).....	13
NEEDLE VIBRATOR & ADJUSTMENT COMPONENTS (2).....	15
PRESSER BAR & FEED REGULATOR COMPONENTS.....	19
FEED MECHANISM & CONDENSE COMPONENTS.....	23
FEED MECHANISM COMPONENTS.....	25
HOOK DRIVING SHAFT & HOOK COMPONENTS	29
LUBRICATION COMPONENTS	33
THREAD TRIMMER MECHANISM COMPONENTS.....	37
UPPER THREAD FEEDER COMPONENTS.....	41
AUTOMATIC REVERSE FEED MECHANISM COMPONENTS	43
WIPER MECHANISM COMPONENTS.....	45
THREAD STAND COMPONENTS.....	47
CP PANEL COMPONENTS	49
BELT COVER COMPONENTS.....	51
OIL RESERVOIR & KNEE LIFTER COMPONENTS.....	53
EXCLUSIVE PARTS FOR LZ-2286N	55
EXCLUSIVE PARTS FOR LZ-2285N (1)	59
EXCLUSIVE PARTS FOR LZ-2285N (2)	63
EXCLUSIVE PARTS FOR LZ-2281N(-7)	67
EXCLUSIVE PARTS FOR LZ-2288N (1)	69
EXCLUSIVE PARTS FOR LZ-2288N (2)	73
EXCLUSIVE PARTS FOR LZ-2282N(-7) (1)	77
EXCLUSIVE PARTS FOR LZ-2282N(-7) (2)	81
EXCLUSIVE PARTS FOR LZ-2280NU(-7),2284NU(-7),2286NU(-7) & 2288NU(-7).....	85
EXCLUSIVE PARTS FOR LZ-2284N(-7),LZ-2284C-7 (1)	87
EXCLUSIVE PARTS FOR LZ-2284N(-7),LZ-2284C-7 (2)	91
SPECIAL ORDER PARTS FOR LZ-2280N,2281N,2284N,2286N,2288N	95
SPECIAL ORDER PARTS FOR LZ-2280N SERIES.....	97
EXCLUSIVE PARTS FOR LZ-2284C-7 (1)	101
EXCLUSIVE PARTS FOR LZ-2284C-7 (2)	103
EXCLUSIVE PARTS FOR LZ-2284C-7 (3) (TABLE COMPONENTS/JT-Z710).....	105
EXCLUSIVE PARTS FOR LZ-2284C-7 (4) (TABLE COMPONENTS/JT-Z71A,JT-Z71B).....	107
EXCLUSIVE PARTS FOR LZ-2284C-7 (5)	109
EXCLUSIVE PARTS FOR LZ-2284C-7 (6) (ACCESSORIES PARTS COMPONENTS).....	111
EXCLUSIVE PARTS FOR LZ-2284C-7 (7)	113
LIST FOR INFORMATION OF CHANGE.....	115
HOW TO MAKE USE OF THIS PARTS LIST	116

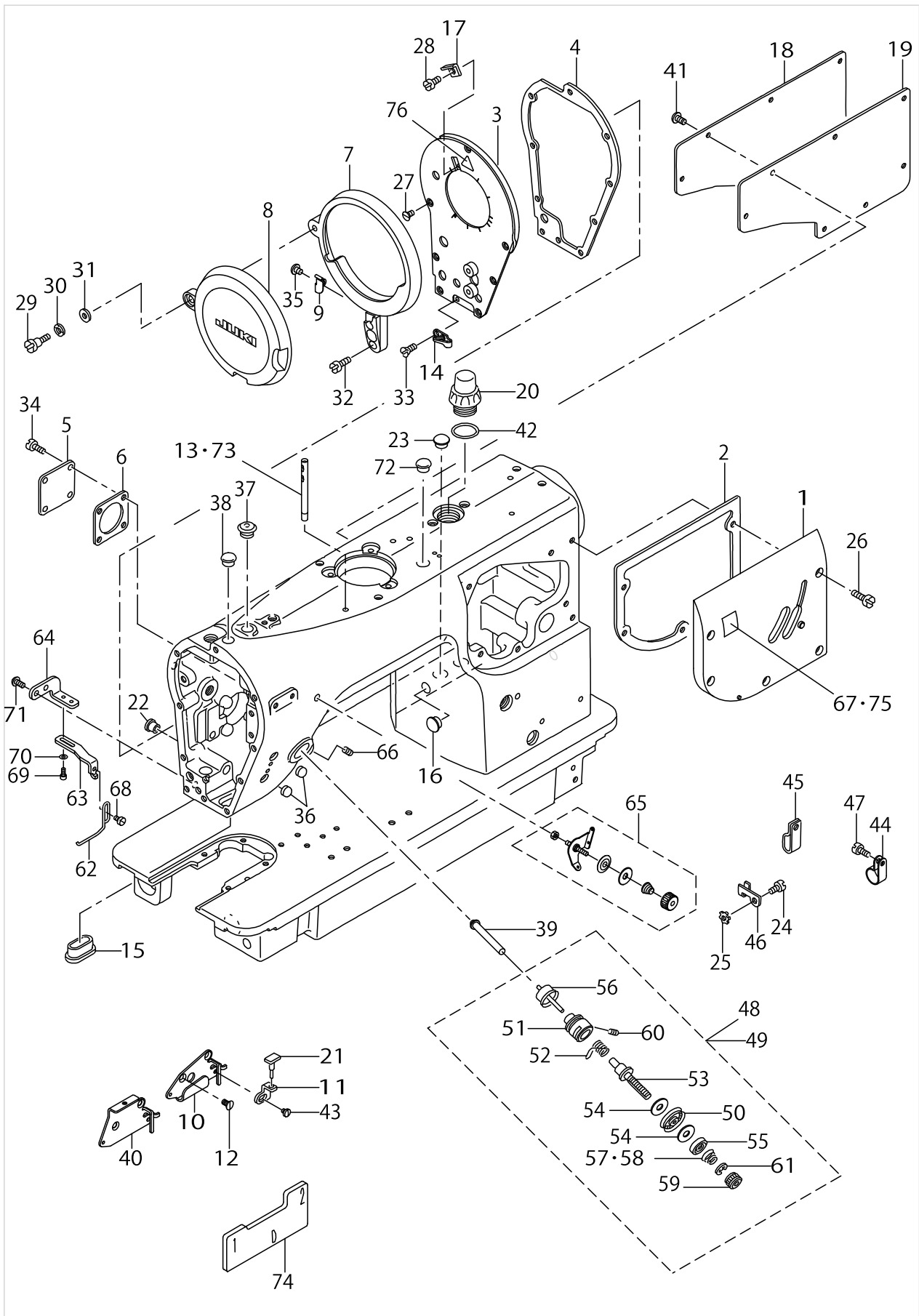
FRAME & MISCELLANEOUS COVER COMPONENTS (1)



FRAME & MISCELLANEOUS COVER COMPONENTS (1)

No.	Parts No.	Parts name	Remarks	Level	Cons	Qty
1	26304758	ARM SIDE COVER COMPL.				1
2	22501209	GASKET				1
3	23500978	FACE PLATE COMPL.				1
4	22501506	GASKET				1
5	22501605	TENSION RELEASE WINDOW PLATE				1
6	22501704	GASKET				1
7	26305102	BALANCE COVER BASE				1
8	22502108	BALANCE COVER				1
9	26305300	SPRING				1
10	22504104	BALANCE THREAD GUIDE A	VARIOUS NOS.FOR DESTINATIONS			1
11	22502702	SPRING GUARD				1
12	SS1110840SP	SCREW 11/64-40 L=8				2
13	22958300	NEEDLE THREAD GUIDE PIN				1
14	26305409	SPRING GUARD				1
15	10000206	ARM OIL SHIELD				1
16	TA1050504R0	RUBBER PLUG				1
17	10001709	TAKE-UP THREAD CUTTER				1
18	22900401	WINDOW PLATE				1
19	11000619	GASKET				1
20	22947006	OIL SIGHT WINDOW				1
21	11043601	RUBBER STOPPER				1
22	TA0800504R0	PLUG D=8 L=4.5				1
23	TA1050504R0	RUBBER PLUG				2
24	SS4121015SP	SCREW 3/16-28 L=10	FOR LZ-2280N-7,LZ-2281N-- 7, LZ-2286N-7,LZ-2288N-7			1
25	WT0530002KS	TOOTHED WASHER D=5.3	FOR LZ-2280N-7,LZ-2281N-- 7, LZ-2286N-7,LZ-2288N-7			1
26	SS4121415SP	SCREW 3/16-28 L=14				5
27	SS1110840SP	SCREW 11/64-40 L=8				7
28	SS7080410SP	SCREW 1/8-44 L= 3.8				1
29	SD0640751SP	HINGE SCREW D= 6.35 H= 7.5				1
30	WZ0641510KP	WAVED WASHER 6.4X11X0.3				1
31	WP0651056SD	WASHER 6.5X11X1				1
32	SS4110915SP	SCREW 11/64-40 L=9				2
33	SS2090710SP	SCREW 9/64-40 L=7				1
34	SS4120615SP	SCREW 3/16-28 L=6				4
35	SS4120615SP	SCREW 3/16-28 L=6				1
36	GPR01015000	DRIVING STOPPER RUBBER				2
37	TA1250705R0	RUBBER PLUG				1
38	TA1100604R0	PLUG				1
39	22528616	THREAD RELEASE				1
40	26312504	BALANCE THREAD GUIDE T	VARIOUS NOS.FOR DESTINATIONS			1
41	SS4120915SP	SCREW 3/16-28 L=9				8
42	RO195240100	RUBBER RING				1
43	SS7090410SP	SCREW 9/64-40 L= 3.5				1
44	EA9502B0200	CABLE CLIP C	FOR LZ-2280N-7,LZ-2281N-- 7, LZ-2286N-7,LZ-2288N-7			1
45	D2112555B00	CORD HOLDER, LARGE	FOR LZ-2280N-7,LZ-2281N-- 7, LZ-2286N-7,LZ-2288N-7			2

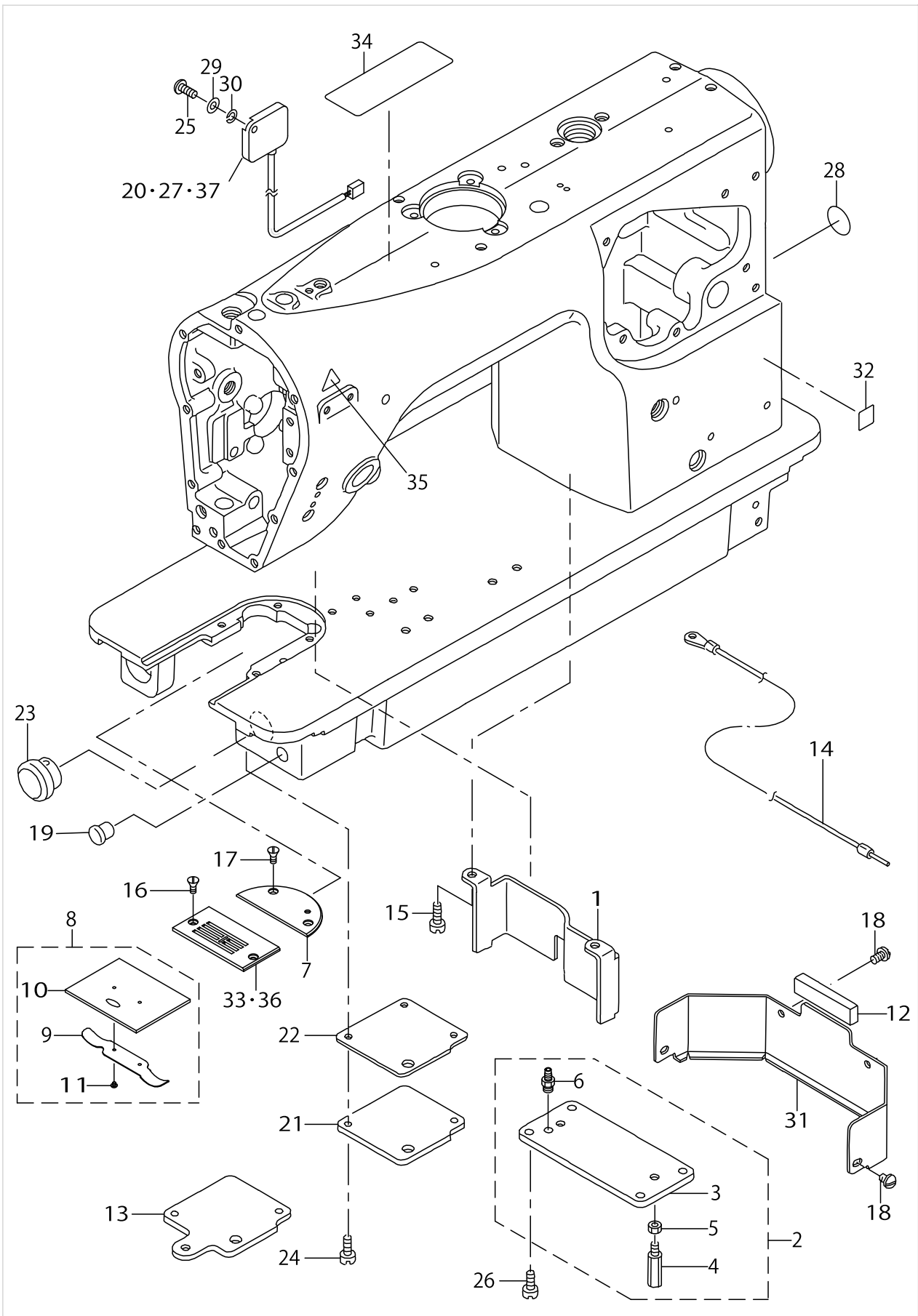
FRAME & MISCELLANEOUS COVER COMPONENTS (1)



FRAME & MISCELLANEOUS COVER COMPONENTS (1)

No.	Parts No.	Parts name	Remarks	Level	Cons	Qty
46	11030301	CABLE HOLDER	FOR LZ-2280N-7,LZ-2281N-7, LZ-2286N-7,LZ-2288N-7			1
47	SS4121015SP	SCREW 3/16-28 L=10	FOR LZ-2280N-7,LZ-2281N-7, LZ-2286N-7,LZ-2288N-7			1
48	22528061	THREAD TENSION ASM.	VARIOUS NOS.FOR DESTINATIONS			1
49	22528467	THREAD TENSION ASM.	VARIOUS NOS.FOR DESTINATIONS			1
50	23547557	THREAD TENSION T COMPL.		*		1
51	22528152	THREAD TENSION ROD ASM.		*		1
52	10006104	TAKE-UP SPRING		*		1
53	10005668	THREAD TENSION POST ASM.		*		1
54	22528509	FELT		*		2
55	10006005	TENSION DISC HOLDER		*		1
56	10007854	TENSION RELEASE PIN ASM.		*		1
57	B3129012A00	TENSION SPRING	VARIOUS NOS.FOR DESTINATIONS	*		1
58	B3121352000	TENSION SPRING	VARIOUS NOS.FOR DESTINATIONS	*		1
59	B3116125000	TENSION NUT		*		1
60	SS8090670SP	SCREW 9/64-40 L= 5.5		*		1
61	B3120125000	ROTATING STOPPER		*		1
62	22529002	SUPPORT BALANCE	VARIOUS NOS.FOR DESTINATIONS			1
63	22529101	SUPPORT BALANCE BASE	VARIOUS NOS.FOR DESTINATIONS			1
64	22529200	MOUNTING BASE	VARIOUS NOS.FOR DESTINATIONS			1
65	22528764	PRE-TENSION CONTROLLER ASM.				1
66	SS8110750SP	SCREW 11/64-40 L= 6.5				1
67	22542708	OPERATION SEAL	FOR LZ-2281N,LZ-2281N-7			1
68	SS6090540SP	SCREW 9/64-40 L= 5.0	VARIOUS NOS.FOR DESTINATIONS			1
69	SS6580752TP	SCREW 1/8-40 L=7	VARIOUS NOS.FOR DESTINATIONS			2
70	WP03305000E	WASHER 3.3X6X0.5	VARIOUS NOS.FOR DESTINATIONS			2
71	SS4110915SP	SCREW 11/64-40 L=9	VARIOUS NOS.FOR DESTINATIONS			2
72	TA1250705R0	RUBBER PLUG				1
73	22502504	THREAD GUIDE BAR	FOR LZ-2280N-7,LZ-2281N-7, LZ-2286N-7,LZ-2288N-7			1
74	22536403	TIMMING GAUG D				1
75	23516206	OPERATION SEAL	FOR LZ-2284N,LZ-2284N-7, LZ-2284NU,LZ-2284NU-7			1
76	CM300200002	CAUTION LABEL(25)				1

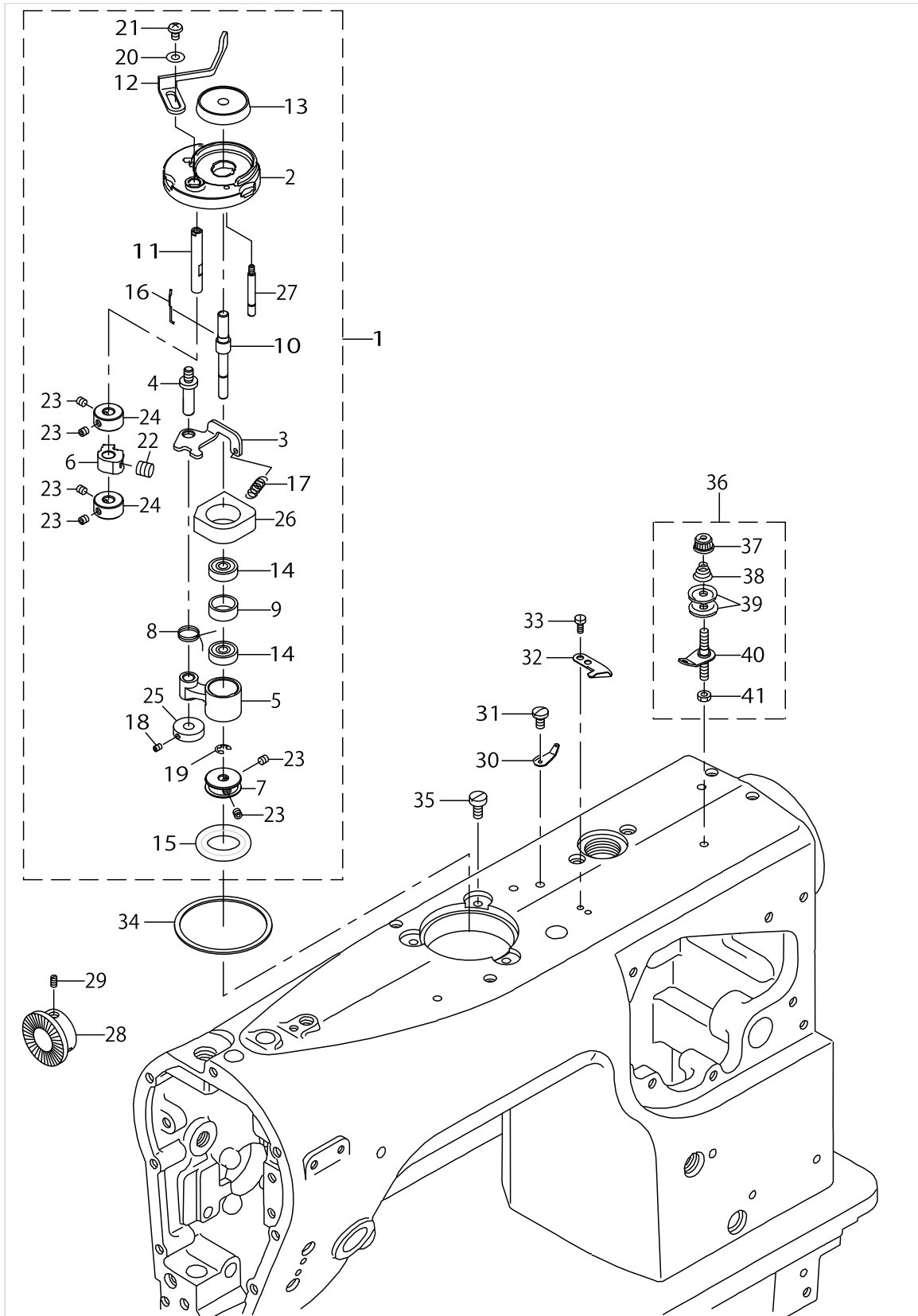
FRAME & MISCELLANEOUS COVER COMPONENTS (2)



FRAME & MISCELLANEOUS COVER COMPONENTS (2)

No.	Parts No.	Parts name	Remarks	Level	Cons	Qty
1	26304907	SUPPORT PLATE				1
2	26305052	HELICAL GEAR BOX COVER ASM.				1
3	26305003	HELICAL GEAR BOX COVER		*		1
4	10100410	BED SCREW STUD		*		2
5	NS6700320SP	NUT 5/16-24		*		2
6	SQ1150451MZ	CONNECTING SCREW		*		1
7	26300103	BED PLATE				1
8	26314757	SLIDE PLATE ASM.				1
9	22901300	SLIDE PLATE SPRING		*		1
10	26314708	SLIDE PLATE		*		1
11	SS6060210SP	SCREW 3/32-56 L= 1.9		*		2
12	10037406	OIL SHIELD RUBBER				1
13	22552400	HELICAL BEVEL GEAR BOX COVER	FOR LZ-2280N-7,LZ-2281N-7, LZ-2286N-7,LZ-2288N-7			1
14	11044054	GROUND WIRE ASM.	FOR LZ-2280N-7,LZ-2281N-7, LZ-2286N-7,LZ-2288N-7			1
15	SS4111015SP	SCREW 11/64-40 L=10				2
16	SS2090810SP	SCREW 9/64-40 L= 7.5				2
17	SS2090810SP	SCREW 9/64-40 L= 7.5				2
18	SS4110615SP	SCREW 11/64-40 L=6				2
19	TA0950806R0	RUBBER PLUG				1
20	M6093350AAS	RESISTANCE PACK AS ASM.	FOR LZ-2280N-7			1
21	10031805	HELICAL BEVEL GEAR BOX COVER				1
22	10031904	GASKET				1
23	10032001	NYLON CAP				1
24	SS4110915SP	SCREW 11/64-40 L=9				3
25	SS4121215SP	SCREW 3/16-28 L=12	FOR LZ-2280N-7,LZ-2281N-7, LZ-2286N-7,LZ-2288N-7			1
26	SS4110915SP	SCREW 11/64-40 L=9				4
27	M6093350AAL	RESISTANCE PACK AL ASM.	VARIOUS NOS.FOR DESTINATIONS			1
28	22901805	GROUND MARK				1
29	WP0501016SD	WASHER 5X10.5X1	FOR LZ-2280N-7,LZ-2281N-7, LZ-2286N-7,LZ-2288N-7			1
30	WS0510002KP	SPRING WASHER 5.1X9.2X1.3	FOR LZ-2280N-7,LZ-2281N-7, LZ-2286N-7,LZ-2288N-7			1
31	10037307	OIL SHIELD PLATE				1
32	CM600100101	WEEE MARK LABEL S	VARIOUS NOS.FOR DESTINATIONS			1
33	22548010	NEEDLE PLATE	VARIOUS NOS.FOR DESTINATIONS			1
34	CM301300001	SAFETY LABEL				1
35	CM300200002	CAUTION LABEL(25)				1
36	22548705	NEEDLE PLATE	VARIOUS NOS.FOR DESTINATIONS			1
37	M6093350AAF	RESISTANCE PACK ASM.	VARIOUS NOS.FOR DESTINATIONS			1

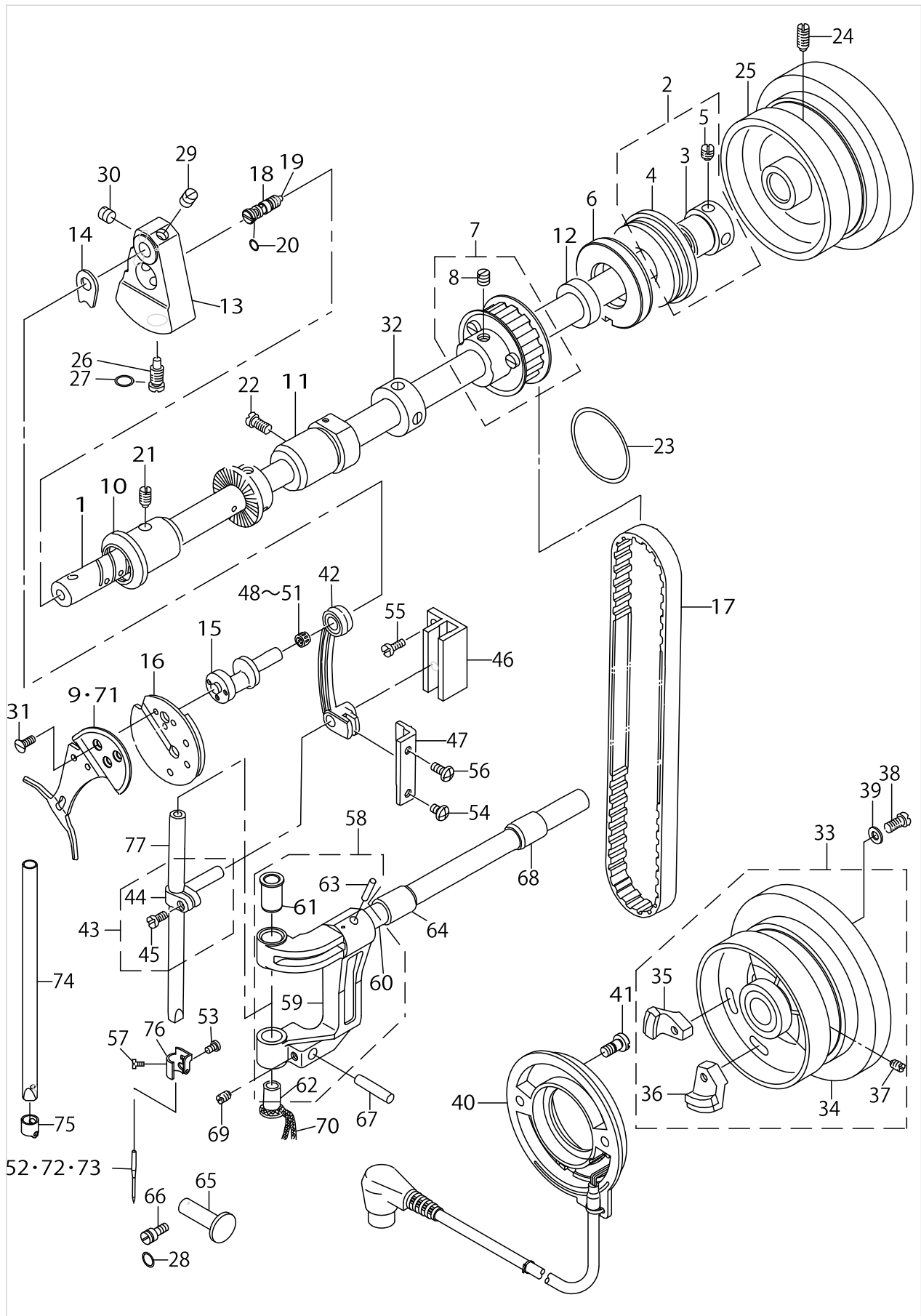
FRAME & MISCELLANEOUS COVER COMPONENTS (3)



FRAME & MISCELLANEOUS COVER COMPONENTS (3)

No.	Parts No.	Parts name	Remarks	Level	Cons	Qty
1	40034920	BOBBIN WINDER UNIT				1
2	40034904	BTW BASE		*		1
3	40031628	BTW_CAM_PLATE		*		1
4	40032138	BTW_BASE_SHAFT		*		1
5	26260406	BTW_SHAFT_BASE		*		1
6	26260505	BTW_CAM_LEVER		*		1
7	40026730	BTW WHEEL		*		1
8	40031633	BTW_TORSION_SPRING		*		1
9	26260802	BTW_BEARING_SPACER		*		1
10	40031629	BTW_SHAFT		*		1
11	40031630	BTW LEVER SHAFT		*		1
12	40021933	BTW_LEVER		*		1
13	26261206	BTW_SPACER		*		1
14	26261305	BTW_BEARING		*		2
15	A321600100A	RUBBER RING		*		1
16	26261602	BOBBIN_SPRING		*		1
17	26261701	BTW_SPRING		*		1
18	SM8030412TP	SCREW		*		1
19	RE0400000K0	E-RING 4		*		1
20	WP0450826SC	WASHER 4.5X10X0.8		*		1
21	SM5040655SN	SCREW		*		1
22	SM8050502TP	SCREW M5 L=5		*		1
23	SM8040412TP	SET SCREW M4 L=4		*		6
24	40026745	COLLAR		*		2
25	40043720	COLLAR		*		1
26	40034919	BTW PROTECT SPONGE		*		1
27	40031631	BTW_SPRING_SHAFT		*		1
28	22538805	DRIVING WHEEL				1
29	SS8660610TP	SCREW 1/4-40 L=6				2
30	D3162555B00	THREAD GUIDE				1
31	SS7110840SP	SCREW 11/64-40 L=7.8				1
32	10502300	THREAD CUTTER				1
33	SS6090620SP	SCREW 9/64-40 L=6				2
34	22538706	PACKING				1
35	SS6121030SN	SCREW 3/16-28 L=10				3
36	22529481	BOBBIN THREAD TENSION ASM.				1
37	11072402	THREAD TENSION NUT		*		1
38	11093606	THREAD TENSION SPRING		*		1
39	B3214047000	BOBBIN WINDER TENSION DISC		*		2
40	22529473	BOBBIN THREAD TENSION ROD ASM.		*		1
41	NS6110310SP	NUT 11/64-40		*		1

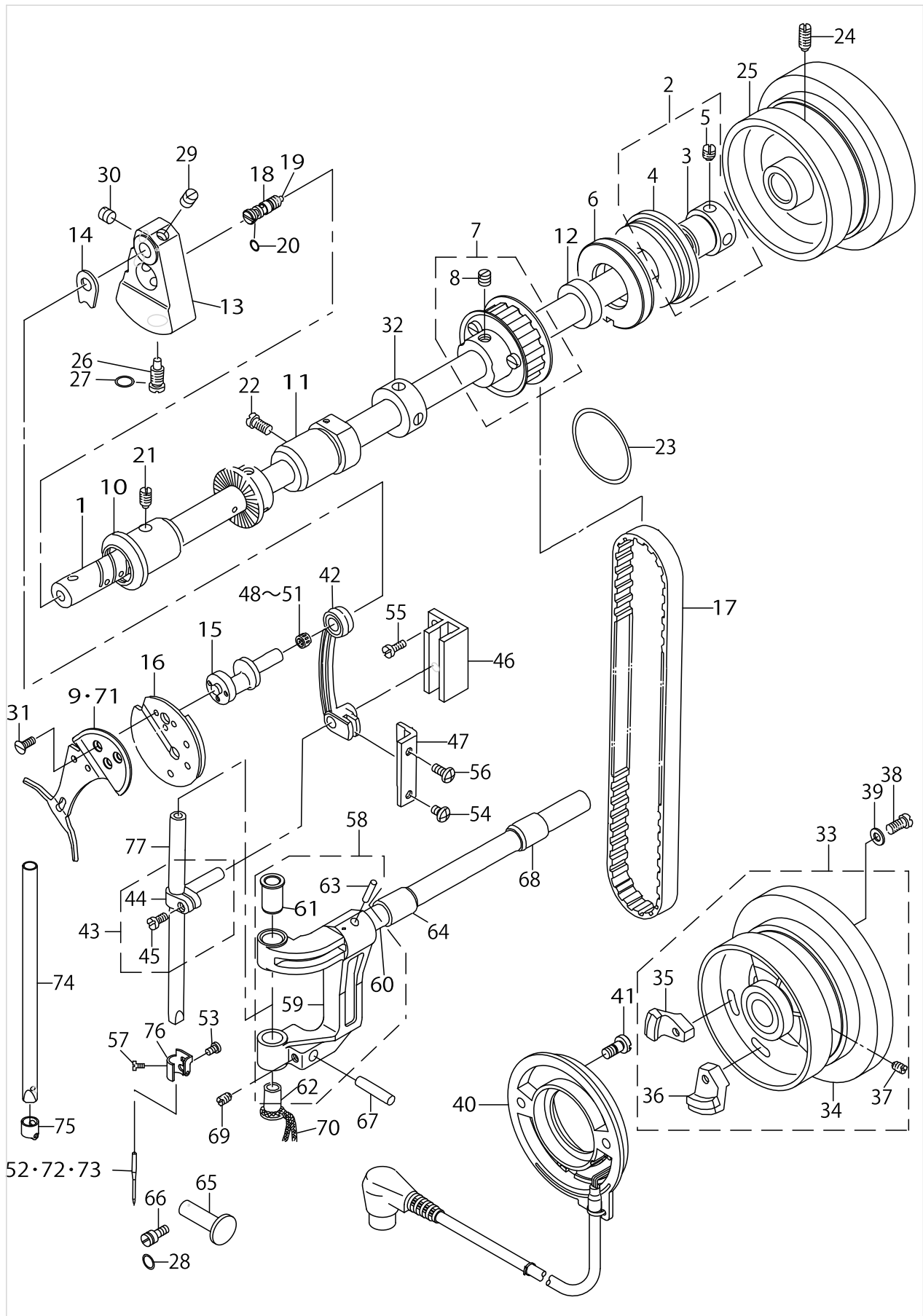
MAIN SHAFT & NEEDLE BAR COMPONENTS



MAIN SHAFT & NEEDLE BAR COMPONENTS

No.	Parts No.	Parts name	Remarks	Level	Cons	Qty
1	26302208	MAIN SHAFT				1
2	22505259	THRUST COLLAR ASM.				1
3	22505200	THRUST COLLAR		*		1
4	SB120000100	BEARING D=20X47		*		1
5	SS8660610TP	SCREW 1/4-40 L=6		*		2
6	26305516	OIL SEAL COLLAR				1
7	40044872	SPROCKET UPPER ASM.				1
8	SS8660610TP	SCREW 1/4-40 L=6		*		2
9	22506109	BALANCE	SPECIAL ORDER PARTS			1
10	40040372	MAIN SHAFT BUSHING				1
11	B1203227000A	MAIN SHAFT BUSHING, INTERMEDIA				1
12	B1208552000A	OIL SEAL				1
13	26300202	COUNTERWEIGHT				1
14	10008506	COUNTERWEIGHT PROTECTING PLATE				1
15	26300301	NEEDLE BAR CRANK				1
16	10008753	TAKE-UP COUNTERWEIGHT ASM.				1
17	22505705	TIMING BELT				1
18	26304402	PIN				1
19	B1810552000	OIL WICK				1
20	RO029180100	RUBBER RING				1
21	SS8151150SP	SCREW 15/64-28 L=10.5				1
22	SS7151120SP	SCREW 15/64-28 L=11				1
23	RO437200200	RUBBER RING				1
24	SS8151550SP	SCREW 15/64-28 L=15				2
25	22505507	HAND WHEEL				1
26	SS7681650TP	SCREW 9/32-28 L=16				1
27	RO044240100	RUBBER RING				1
28	RO048190100	RUBBER RING				1
29	SS8660610TP	SCREW 1/4-40 L=6				2
30	SS8660610TP	SCREW 1/4-40 L=6				2
31	SS1090930SP	SCREW 9/64-40 L=8.6				3
32	22904155	MAIN SHAFT THRUST COLLAR ASM.				1
33	22551568	HAND WHEEL ASM.	FOR LZ-2280N-7,LZ-2281N-7, LZ-2286N-7,LZ-2288N-7			1
34	22551550	HAND WHEEL COMPL.	FOR LZ-2280N-7,LZ-2281N-7, LZ-2286N-7,LZ-2288N-7	*		1
35	M40071100AB	MAGNET FITTING BASE B ASM.	FOR LZ-2280N-7,LZ-2281N-7, LZ-2286N-7,LZ-2288N-7	*		1
36	M40071100AA	MAGNET FITTING BASE A ASM.	FOR LZ-2280N-7,LZ-2281N-7, LZ-2286N-7,LZ-2288N-7	*		1
37	SS8151550SP	SCREW 15/64-28 L=15	FOR LZ-2280N-7,LZ-2281N-7, LZ-2286N-7,LZ-2288N-7	*		2
38	SS6111210SP	SCREW 11/64-40 L=12	FOR LZ-2280N-7,LZ-2281N-7, LZ-2286N-7,LZ-2288N-7			2
39	WP0450801SD	WASHER 4.5X10X0.8	FOR LZ-2280N-7,LZ-2281N-7, LZ-2286N-7,LZ-2288N-7			2
40	11032562	DYNAMO STATOR	FOR LZ-2280N-7,LZ-2281N-7, LZ-2286N-7,LZ-2288N-7			1
41	10604809	SCREW	FOR LZ-2280N-7,LZ-2281N-7, LZ-2286N-7,LZ-2288N-7			2
42	22507156	NEEDLE BAR CRANK ROD ASM.				1
43	40070532	NEEDLE_BAR_CONNECTION_ASM.				1

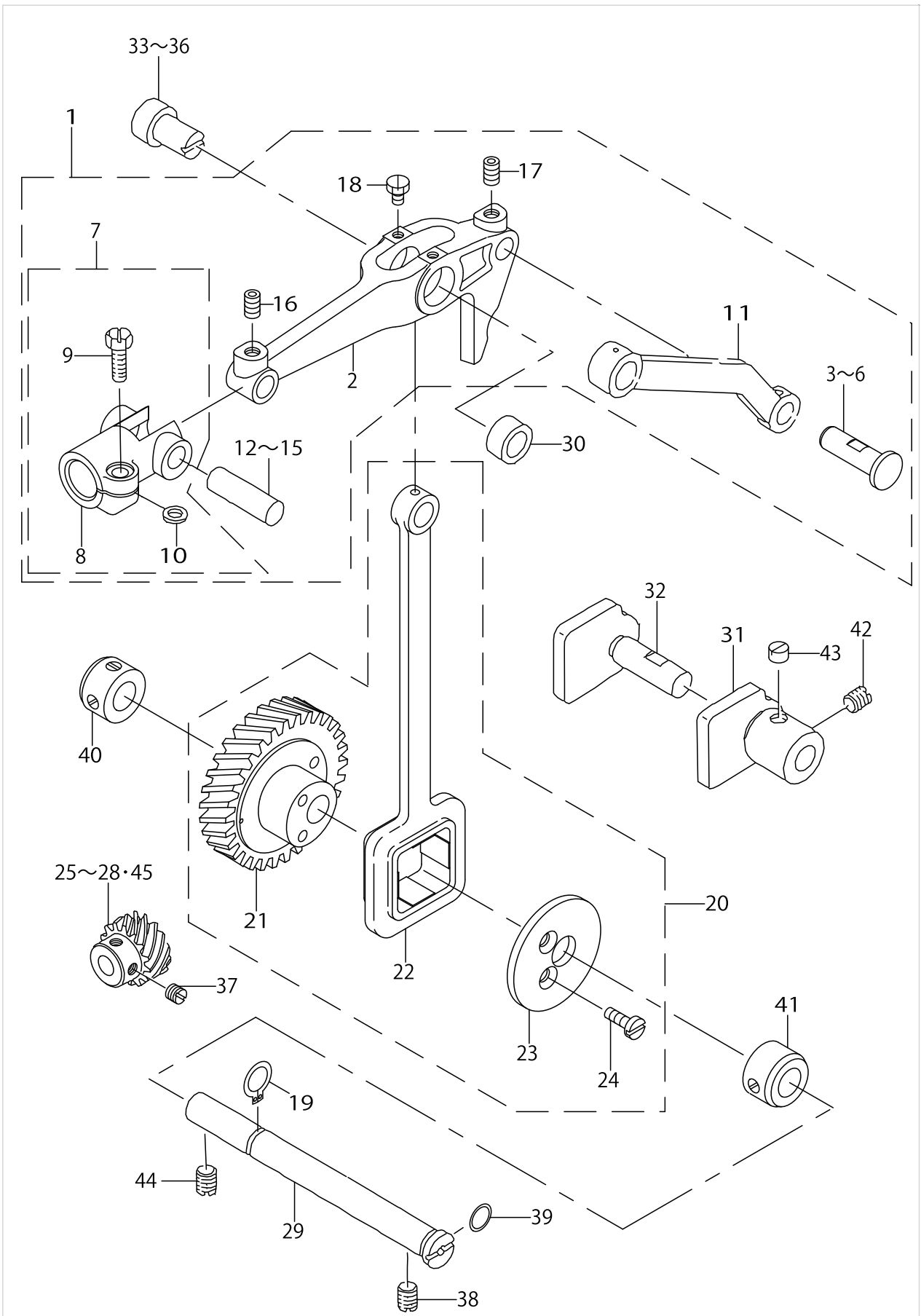
MAIN SHAFT & NEEDLE BAR COMPONENTS



MAIN SHAFT & NEEDLE BAR COMPONENTS

No.	Parts No.	Parts name	Remarks	Level	Cons	Qty
44	40056873	NEEDLE BAR CONNECTION		*		1
45	SS7090910TP	SCREW 9/64-40 L= 8.5		*		1
46	22508006	NEEDLE BAR CONNECTION GUIDE				1
47	26300400	CRANK ROD GUIDE				1
48	B1905541A00	NEEDLE BEARING, A	SELECTIVE PARTS			1
49	B1905541B00	NEEDLE BEARING	SELECTIVE PARTS			1
50	B1905541C00	NEEDLE BEARING	SELECTIVE PARTS			1
51	B1905541D00	NEEDLE BEARING	SELECTIVE PARTS			1
52	MC192300750	NEEDLE 438 #75	VARIOUS NOS.FOR DESTINATIONS			1
53	SS7080520SP	SCREW 1/8-44 L=4.9				1
54	SS4110615SP	SCREW 11/64-40 L=6				1
55	SS4110915SP	SCREW 11/64-40 L=9				2
56	SS4110915SP	SCREW 11/64-40 L=9				1
57	SS7060310SP	SCREW 3/32-56 L=3	VARIOUS NOS.FOR DESTINATIONS			1
58	26300962	NEEDLE BAR YOKE ASM.				1
59	26300913	NEEDLE BAR YOKE		*		1
60	22509202	SHAFT		*		1
61	10013019	NEEDLE BAR BUSHING, UPPER D=7.		*		1
62	10013118	NEEDLE BAR BUSHING, LOWER D=7.		*		1
63	PS0400252KP	SPRING PIN		*		1
64	22913008	FEED ROCKER SHAFT BUSHING				1
65	26305904	NEEDLE BAR YOKE PRESSER				1
66	26306001	SCREW				1
67	10013407	GUIDE PIN				1
68	26301408	SHAFT BUSHING , REAR				1
69	SS8120740SP	SCREW 3/16-28 L=7				1
70	CQ202000000	OIL WICK				0.1
71	22506208	BALANCE V				1
72	MC2005F0700	NEEDLE 134SUK 70	VARIOUS NOS.FOR DESTINATIONS			1
73	MDP500B1000	NEEDLE DPX5 #10	VARIOUS NOS.FOR DESTINATIONS			1
74	22507818	NEEDLE ROD	VARIOUS NOS.FOR DESTINATIONS			1
75	22507701	NEEDLE ROD THREAD RACK R	VARIOUS NOS.FOR DESTINATIONS			1
76	22507404	THREAD RACK	VARIOUS NOS.FOR DESTINATIONS			1
77	22507503	NEEDLE ROD	VARIOUS NOS.FOR DESTINATIONS			1

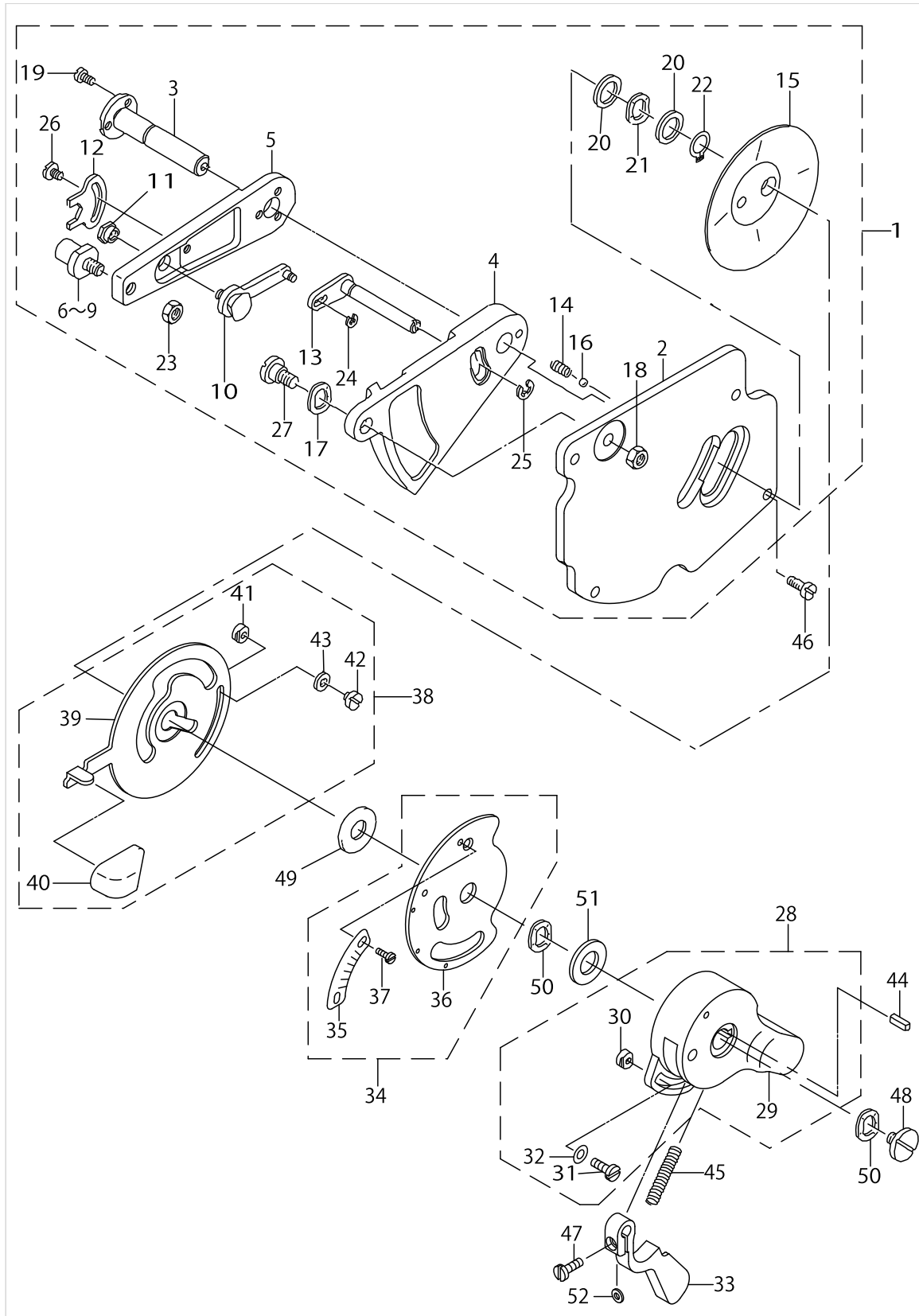
NEEDLE VIBRATOR & ADJUSTMENT COMPONENTS (1)



NEEDLE VIBRATOR & ADJUSTMENT COMPONENTS (1)

No.	Parts No.	Parts name	Remarks	Level	Cons	Qty
1	22509756	DRIVE LINK ASM.				1
2	40065490	DRIVE LINK		*		1
3	26307405	LINK	SELECTIVE PARTS	*		1
4	26307504	SHAFT	SELECTIVE PARTS	*		1
5	26307603	SHAFT	SELECTIVE PARTS	*		1
6	26307702	SHAFT	SELECTIVE PARTS	*		1
7	40056375	SHAFT CONNECTION ASM		*		1
8	40056376	SHAFT CONNECTION		*		1
9	SS7121410TP	SCREW 3/16-28 L=14		*		1
10	WP0510516SD	WASHER 5.1X7.5X0.5		*		1
11	26302307	LINK		*		1
12	10012904	PIN D	SELECTIVE PARTS	*		1
13	10012607	PIN	SELECTIVE PARTS	*		1
14	10012706	PIN B	SELECTIVE PARTS	*		1
15	10012805	PIN C	SELECTIVE PARTS	*		1
16	SM8050812TP	SCREW M5X8		*		1
17	SM8050812TP	SCREW M5X8		*		1
18	SS9090610TP	SCREW 9/64-40 L=5.5		*		2
19	RC0100001KP	SNAP RING M10				1
20	22510051	NEEDLE VIBRATING CAM ASM.				1
21	22510002	NEEDLE VIBRATING CAM		*		1
22	22510101	NEEDLE VIBRATING ROD		*		1
23	22510200	CAM COVER		*		1
24	SS2110920TP	SCREW 11/64-40 L=8.5		*		2
25	10011005	SCREW GEAR A	SELECTIVE PARTS			1
26	10011104	SCREW GEAR B	SELECTIVE PARTS			1
27	10011203	SCREW GEAR C	SELECTIVE PARTS			1
28	10011302	SCREW GEAR D	SELECTIVE PARTS			1
29	26300608	NEEDLE VIBRATING CAM SHAFT				1
30	10012201	BUSHING				1
31	10012417	DRIVE LINK GUIDE A				1
32	10012516	DRIVE LINK GUIDE B				1
33	26301002	PIN A	SELECTIVE PARTS			1
34	26301101	PIN B	SELECTIVE PARTS			1
35	26301200	PIN B	SELECTIVE PARTS			1
36	26301309	PIN D	SELECTIVE PARTS			1
37	SS8660610TP	SCREW 1/4-40 L=6				2
38	SS8660970TP	SCREW 1/4-40 L= 8.5				1
39	RO069180100	RUBBER RING				1
40	CS1031210SH	THRUST COLLAR ASM. D=10.32 W=12				1
41	CS103121BSH	THRUST COLLAR ASM. D=10.32 W=12				1
42	SS8150710SP	SCREW 15/64-28 L=7				1
43	SS8660410SP	SCREW 1/4-40 L= 4.2				1
44	SS8660810TP	SCREW 1/4-40 L=8				1
45	10014009	SCREW GEAR E	SELECTIVE PARTS			1

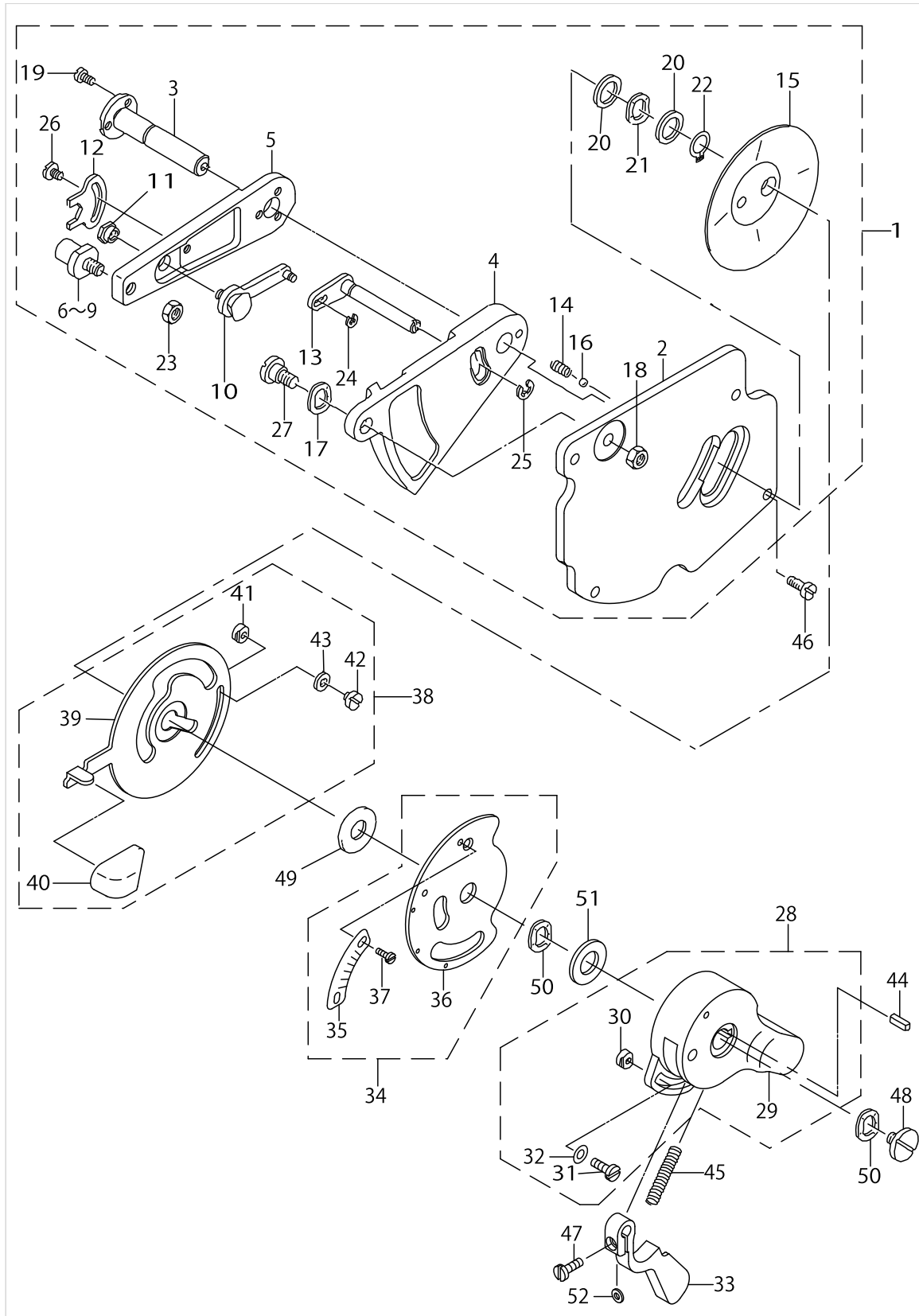
NEEDLE VIBRATOR & ADJUSTMENT COMPONENTS (2)



NEEDLE VIBRATOR & ADJUSTMENT COMPONENTS (2)

No.	Parts No.	Parts name	Remarks	Level	Cons	Qty
1	22512057	BASE ASM.				1
2	26306506	BASE MOUNTING PLATE		*		1
3	26307306	SHAFT		*		1
4	26302703	NEEDLE POSITION ADJUSTING BASE		*		1
5	26301507	ARM		*		1
6	10016517	SHAFT	SELECTIVE PARTS	*		1
7	10016210	SHAFT	SELECTIVE PARTS	*		1
8	10016319	SHAFT	SELECTIVE PARTS	*		1
9	10016418	SHAFT	SELECTIVE PARTS	*		1
10	10017168	STOPPER ASM.		*		1
11	10018000	NUT		*		1
12	10018109	NUT STOPPER		*		1
13	10015360	LEVER ASM.		*		1
14	10017408	SPRING		*		1
15	10017606	OIL SHIELD		*		1
16	B2608761000	HAND STOP CRANK SHAFT BALL		*		1
17	WZ0850302K0	WAVED WASHER 8.5X12.5X0.3		*		3
18	NS6150310SP	NUT 15/64-28		*		1
19	SS6090620SP	SCREW 9/64-40 L=6		*		3
20	WP1020616SD	WASHER		*		2
21	WZ1052010KP	WAVED WASHER		*		1
22	RC0100001KP	SNAP RING M10		*		1
23	NS6150310SP	NUT 15/64-28		*		1
24	RE0200000K0	E-RING		*		1
25	RE0400000K0	E-RING 4		*		1
26	SS6090520SP	SCREW 9/64-40 L= 5.0		*		1
27	SD0800402TP	HINGE SCREW D= 8 H= 4		*		1
28	22512156	KNOB ASM.				1
29	22512107	KNOB		*		1
30	10015907	LEVER STOPPER		*		2
31	SS7090610SP	SCREW 9/64-40 L=6		*		2
32	WP0371016SD	WASHER 3.7X8X1		*		2
33	26306803	LEVER				1
34	22512362	SCALE PLATE ASM.				1
35	22512313	SCALE PLATE		*		1
36	26306951	SCALE MOUNTING BASE COMPL.		*		1
37	SS6080320SP	SCREW 1/8-44 L= 2.5		*		2
38	26307157	LEVER ASM.				1
39	26307108	LEVER		*		1
40	26307207	KNOB		*		1
41	26306704	LEVER STOPPER		*		2
42	SS7090410SP	SCREW 9/64-40 L= 3.5		*		2
43	WP0371016SD	WASHER 3.7X8X1		*		2
44	10015105	KEY				1
45	10017705	SPRING				1
46	SS4120915SP	SCREW 3/16-28 L=9				4
47	SS7090910TP	SCREW 9/64-40 L= 8.5				1

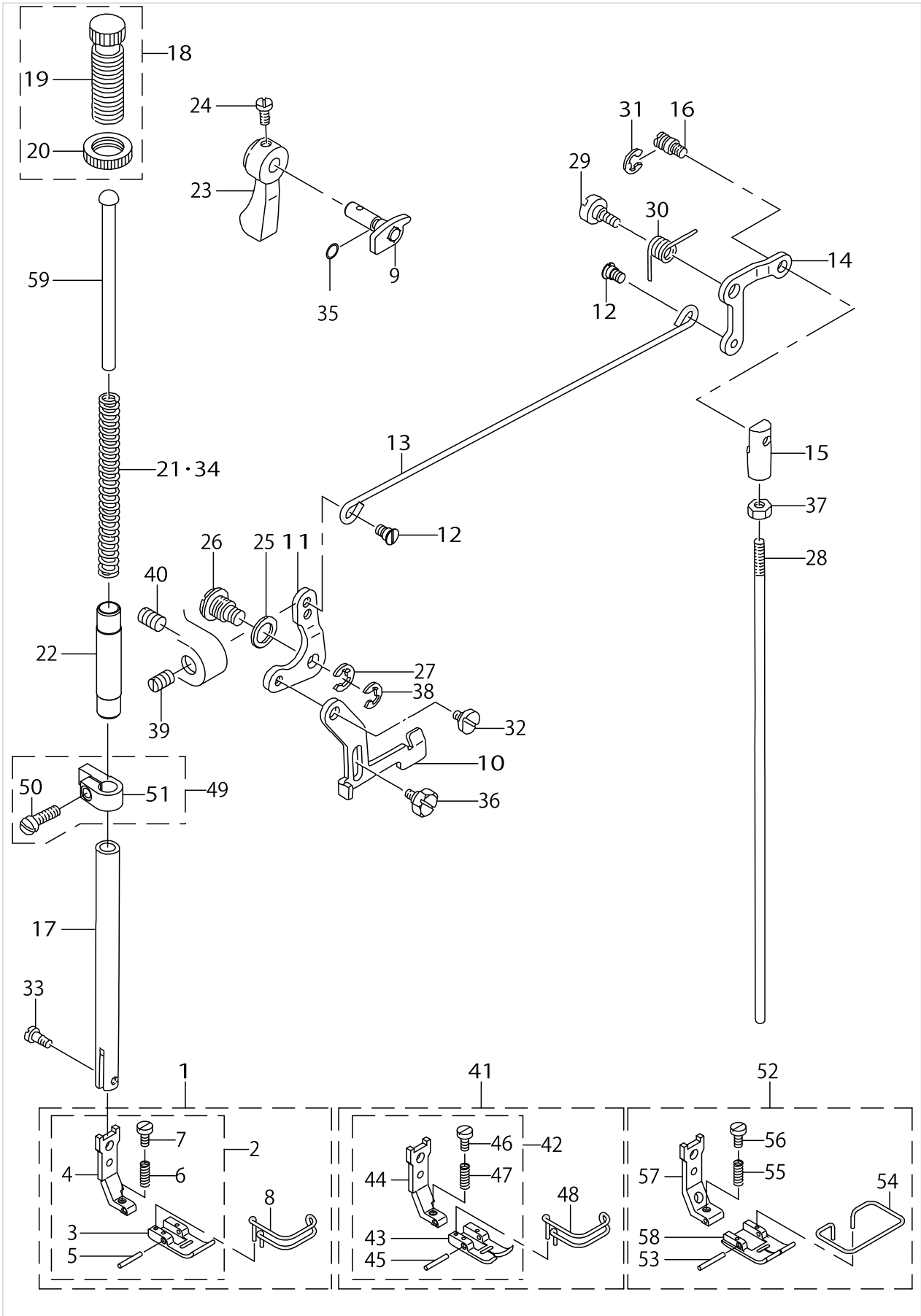
NEEDLE VIBRATOR & ADJUSTMENT COMPONENTS (2)



NEEDLE VIBRATOR & ADJUSTMENT COMPONENTS (2)

No.	Parts No.	Parts name	Remarks	Level	Cons	Qty
48	SS7620750SP	SCREW 3/16-32 L= 6.5				1
49	WP1021016SD	WASHER				1
50	WZ1052010KP	WAVED WASHER				2
51	WP1020616SD	WASHER				1
52	WP0371036SD	WASHER 3.7X6X1				1

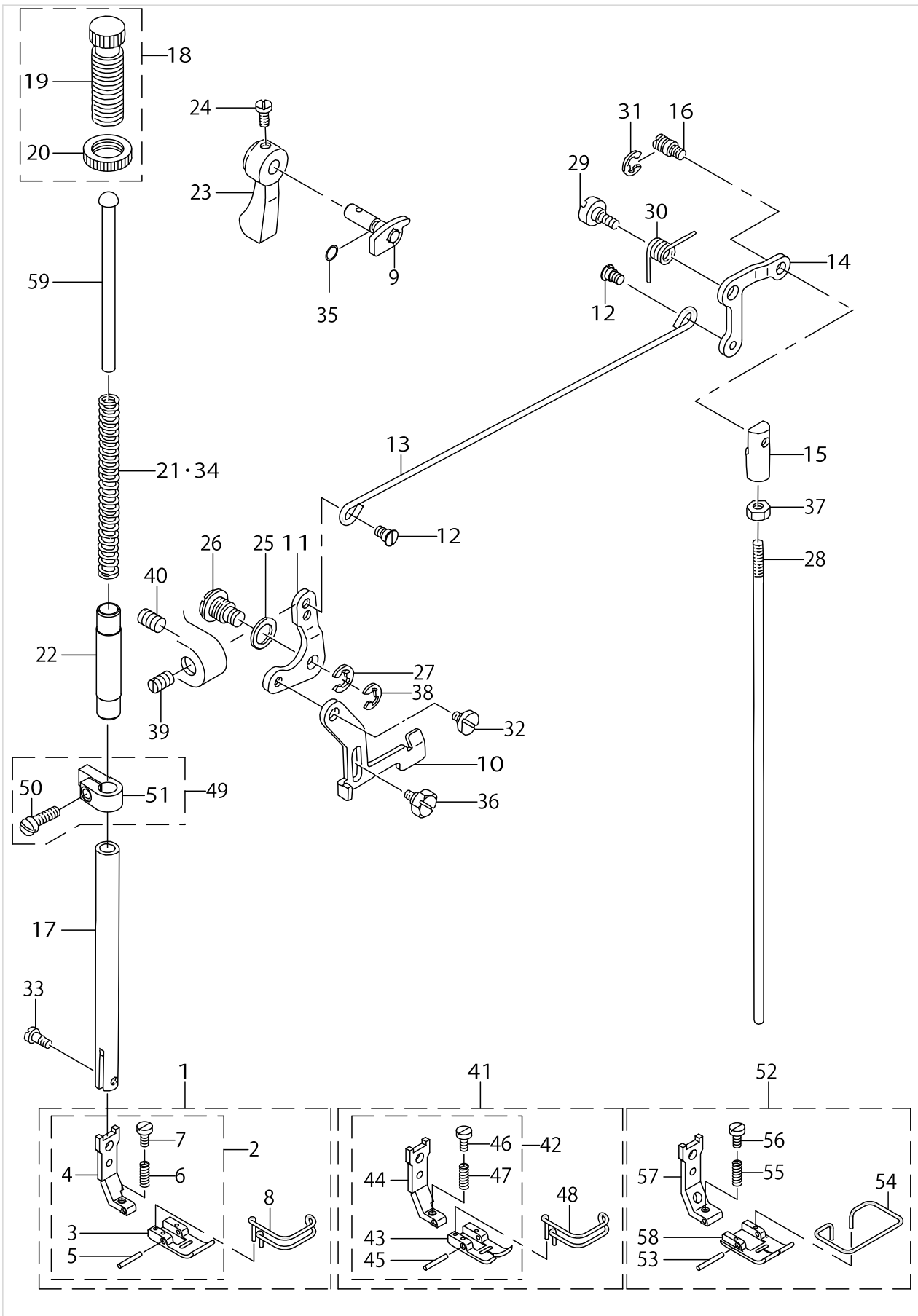
PRESSER BAR & FEED REGULATOR COMPONENTS



PRESSER BAR & FEED REGULATOR COMPONENTS

No.	Parts No.	Parts name	Remarks	Level	Cons	Qty	
1	22547970	PRESSER FOOT ASM.	VARIOUS NOS.FOR DESTINATIONS			1	
2	22547954	PRESSER FOOT ASM.		*		1	
3	22547913	PRESSER FOOT (LOWER)		*		1	
4	22546816	PRESSER FOOT (UPPER)		*		1	
5	22547806	PRESSER PIN		*		1	
6	B1525582000	SPRING		*		1	
7	SS6090810SP	SCREW 9/64-40 L= 7.5		*		1	
8	10021202	FINGER COVER		*		1	
9	26307850	HAND LIFTER CAM COMPL.				1	
10	26308007	LIFTING LEVER				1	
11	B1516552000	LIFTING LEVER LINK				1	
12	22908909	HINGE SCREW				2	
13	22908305	LIFTING LEVER CONNECTING ROD				1	
14	B3414555000	LIFTING LEVER LINK ARM				1	
15	B3416555000	SWIVEL				1	
16	B3416552000	CONNECTING ROD HINGE SCREW				1	
17	10022010	PRESSER BAR				1	
18	22907554	PRESSER SPRING REG NUT ASM.				1	
19	11071602	PRESSER SPRING REGULATOR		*		1	
20	11071701	NUT		*		1	
21	22907406	PRESSER SPRING	VARIOUS NOS.FOR DESTINATIONS			1	
22	22907109	PRESSER BAR BUSHING, LOWER				1	
23	22907802	HAND LIFTER				1	
24	B1521555000	SCREW				1	
25	B3431581000	LIFTING LEVER GASKET				1	
26	B1517552000	HINGE PIN				1	
27	B1523226000	SNAP RING				1	
28	10022606	CONNECTING ROD, VERTICAL				1	
29	GAK33041000	KNEE LIFTING LINK STEP-SCREW				1	
30	GAK33042000	KNEE LIFTING LINK SPRING				1	
31	RE0500000K0	E-RING				1	
32	SD0630301SP	HINGE SCREW D=6.35 H=3				1	
33	SS7090910TP	SCREW 9/64-40 L= 8.5				1	
34	B1505227T00A	PRESSER SPRING T		VARIOUS NOS.FOR DESTINATIONS			1
35	RO037180100	RUBBER RING					1
36	SD0630275SP	HINGE SCREW D= 6.35 H= 2.7					1
37	NS6620310SP	NUT 3/16-32					1
38	RE0600000K0	E-RING 6					1
39	SS8151720SP	SCREW					1
40	SS8150510TP	SCREW 15/64-28 L= 4.7					1
41	22548671	PRESSER FOOT ASM.	VARIOUS NOS.FOR DESTINATIONS				1
42	22548655	PRESSER FOOT ASM.			*		1
43	22548614	PRESSER FOOT (LOWER)			*		1
44	22546816	PRESSER FOOT (UPPER)			*		1
45	22547806	PRESSER PIN			*		1

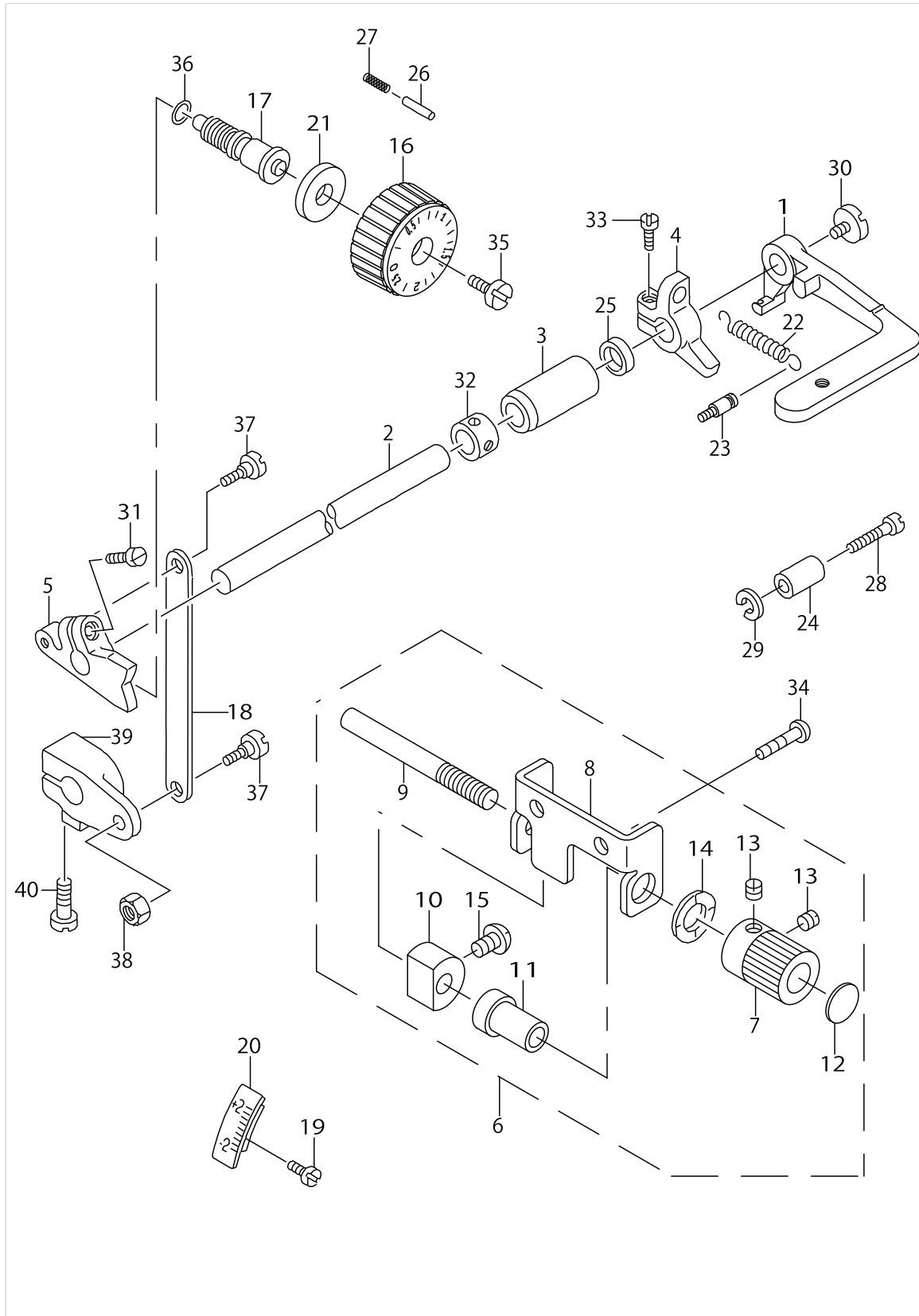
PRESSER BAR & FEED REGULATOR COMPONENTS



PRESSER BAR & FEED REGULATOR COMPONENTS

No.	Parts No.	Parts name	Remarks	Level	Cons	Qty
46	SS6090810SP	SCREW 9/64-40 L= 7.5		*		1
47	B1525582000	SPRING		*		1
48	10021202	FINGER COVER		*		1
49	40070531	PRESSER_BAR_CONNECTION_ASM.				1
50	SS7111110TP	SCREW 11/64-40 L=10.5		*		1
51	26302901	PRESSER BAR GUIDE BRACKET		*		1
52	22548960	PRESSER ASM.	VARIOUS NOS.FOR DESTINATIONS			1
53	10021103	PRESSER PIN		*		1
54	22545404	SAFETY COVER		*		1
55	B1525582000	SPRING		*		1
56	SS6090810SP	SCREW 9/64-40 L= 7.5		*		1
57	22545206	PRESSER FOOT (UPPER)		*		1
58	22548903	PRESSER FOOT (LOWER)		*		1
59	22907703	PRESSER GUIDE BAR				1

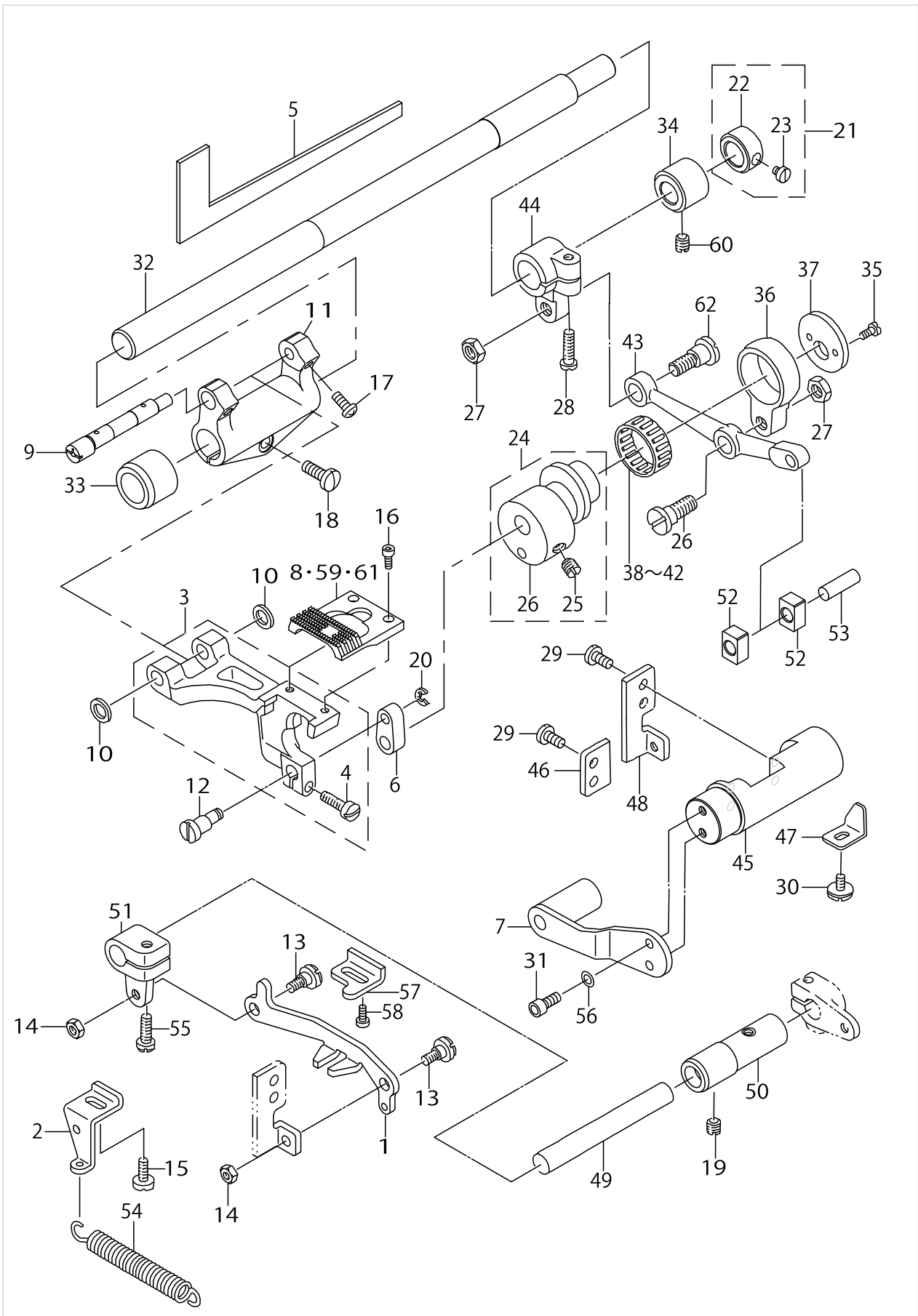
FEED MECHANISM & CONDENSE COMPONENTS



FEED MECHANISM & CONDENSE COMPONENTS

No.	Parts No.	Parts name	Remarks	Level	Cons	Qty
1	40056754	LEVER				1
2	22518104	SHAFT				1
3	26308205	BUSHING				1
4	26308353	CONDENSE STOPPER ARM ASM.				1
5	26308403	FEED DRIVING ADJUSTER				1
6	26308551	KNOB ASM.				1
7	26308502	KNOB		*		1
8	26308601	ADJUSTING SCREW BASE		*		1
9	26308700	ADJUSTING SCREW		*		1
10	26308809	STOPPER		*		1
11	26308908	SHAFT		*		1
12	26309005	STOPPER DIAL PLATE		*		1
13	SS8110410TP	SCREW 11/64-40 L= 3.5		*		2
14	WZ1052010KP	WAVED WASHER		*		1
15	SS4110715SP	SCREW 11/64-40 L=7		*		1
16	26302000	FEED DIAL				1
17	22519201	ADJUSTING SCREW				1
18	22519300	FEED REVERSAL LINK				1
19	SS4120615SP	SCREW 3/16-28 L=6				2
20	22519805	SCALE PLATE				1
21	D2468555B00	RUBBER PLUNGER	FOR LZ-2280N-7,LZ-2281N-7, LZ-2286N-7,LZ-2288N-7			1
22	D2515232D00	TORSION SPRING				1
23	26226407	TENSION SPRING HOOK				1
24	11100500	REVERSE FEED LEVER STOPPER				1
25	B2508704000	OIL SEAL				1
26	22912000	FEED REGULATOR PIN				1
27	22912109	FEED REGULATOR PIN SPRING				1
28	SS6121840SP	SCREW 3/16-28 L=18				1
29	WS0510002KP	SPRING WASHER 5.1X9.2X1.3				1
30	SS7620750SP	SCREW 3/16-32 L= 6.5				1
31	SS7121410TP	SCREW 3/16-28 L=14				1
32	CS1031210SH	THRUST COLLAR ASM. D=10.32 W=1				1
33	SS7121410TP	SCREW 3/16-28 L=14				1
34	SS4120615SP	SCREW 3/16-28 L=6				2
35	SS6121860SP	SCREW 3/16-28 L=18				1
36	RO074240100	RUBBER RING				1
37	SD0600321SP	HINGE SCREW D=6 H=3.2				2
38	NS6120310SP	NUT 3/16-28				1
39	26303602	FEED VARIABLE ARM B				1
40	SS6121610TP	SCREW 3/16-28 L=15.5				1

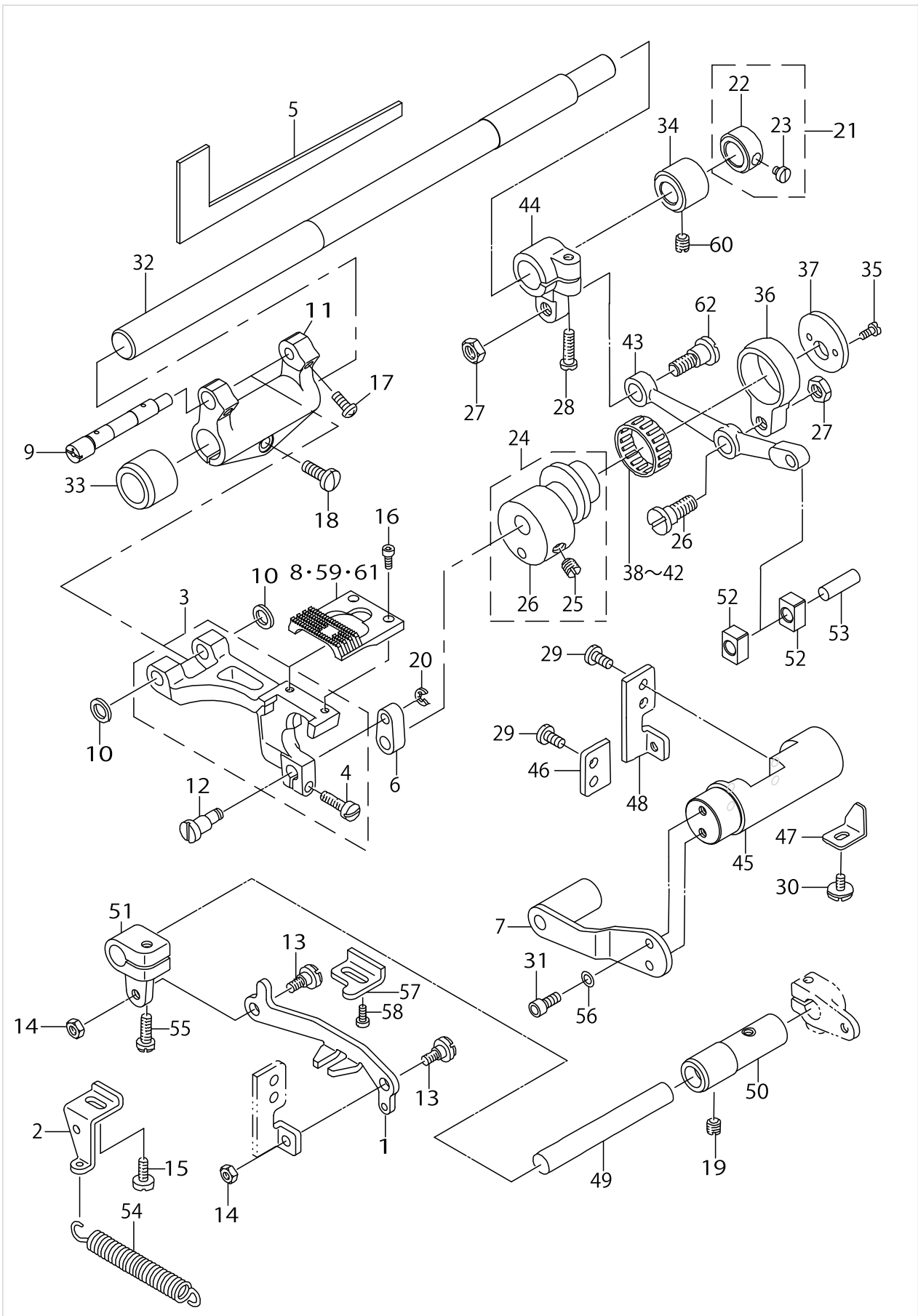
FEED MECHANISM COMPONENTS



FEED MECHANISM COMPONENTS

No.	Parts No.	Parts name	Remarks	Level	Cons	Qty
1	26309104	FEED REVERSAL LINK B				1
2	22519607	TENSION SPRING RACK				1
3	40031418	FEED BASE ASM.				1
4	SS7121410TP	SCREW 3/16-28 L=14		*		1
5	22519904	FELT				1
6	22520001	LINK				1
7	26309351	BALANCE WEIGHT COMPL.				1
8	22548119	FEED DOG	VARIOUS NOS.FOR DESTINATIONS			1
9	40035702	FEED BASE SHAFT				1
10	10026201	SPACER				2
11	40055832	FEED ROCER				1
12	26303107	LINK SHAFT				1
13	SD0600321SP	HINGE SCREW D=6 H=3.2				2
14	NS6120310SP	NUT 3/16-28				2
15	SS6111140SP	SCREW 11/64-40 L=11				1
16	SS6580752TP	SCREW 1/8-40 L=7				2
17	SS4120915SP	SCREW 3/16-28 L=9				2
18	SS7121410TP	SCREW 3/16-28 L=14				1
19	SS8150510TP	SCREW 15/64-28 L= 4.7				1
20	RE0300000K0	E-RING 3				1
21	CS1111010SH	THRUST COLLAR ASM. D=11.11 W=10				1
22	CS1111019SH	THRUST COLLAR D=11.11 W=10		*		1
23	SS6660710TP	SCREW 1/4-40 L=7		*		1
24	10026763	ECCENTRIC CAM ASM.				1
25	SS8660810TP	SCREW 1/4-40 L=8		*		2
26	10026706	ECCENTRIC CAM		*		1
27	NS6680410SP	NUT 9/32-28				2
28	SS6121610TP	SCREW 3/16-28 L=15.5				1
29	SS7110910TP	SCREW 11/64-40 L= 8.5				4
30	SS5110710SP	SCREW 11/64-40 L=7				1
31	SS6111052TP	SCREW				2
32	26314906	FEED ROCKER SHAFT				1
33	B1604141H00	BUSHING, FRONT				1
34	26314500	FEED ROCKER SHAFT BUSHING, FRO				1
35	SS4080620TP	SCREW 1/8-44 L=6				2
36	26300509	ROD				1
37	10026904	SIDE DISC PLATE				1
38	B1609804A00	BUSHING	SELECTIVE PARTS			1
39	B1609804B00	NEEDLE BEARING	SELECTIVE PARTS			1
40	B1609804C00	BEARING	SELECTIVE PARTS			1
41	B1609804D00	BEARING	SELECTIVE PARTS			1
42	B1609804E00	BEARING	SELECTIVE PARTS			1
43	26303206	CONNECTING ROD				1
44	10027100	FEED ROCKER SHAFT CRANK				1
45	40010319	FEED ADJUSTING				1
46	26303404	PLATE A				1

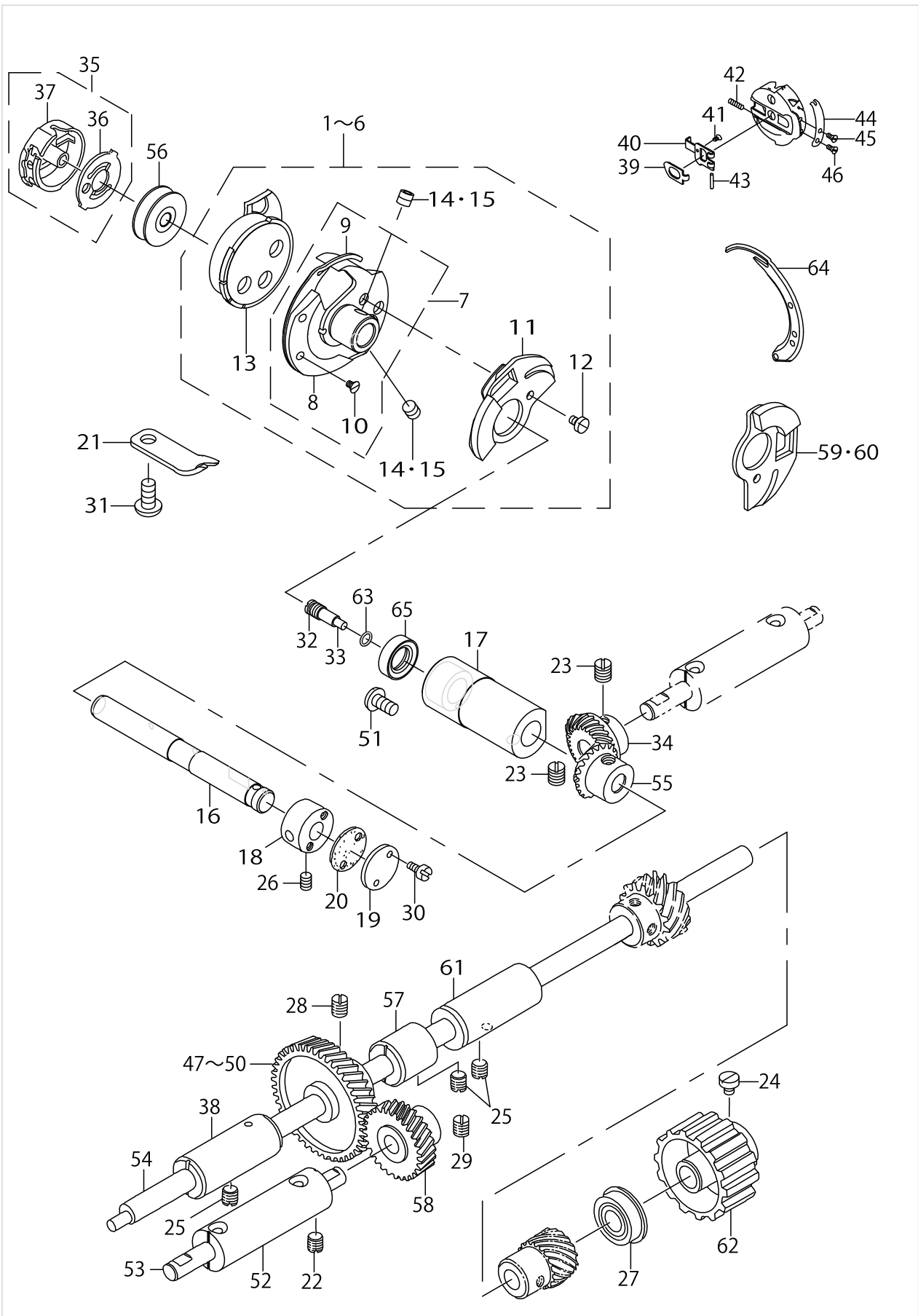
FEED MECHANISM COMPONENTS



FEED MECHANISM COMPONENTS

No.	Parts No.	Parts name	Remarks	Level	Cons	Qty
47	10027506	STOPPER PLATE				1
48	10027407	PLATE B				1
49	26303503	FEED VARIABLE SHAFT				1
50	40043912	BUSHING				1
51	26303701	FEED VARIABLE ARM C				1
52	40050457	FEED DRIVING ROCKER BLOCK				2
53	40032271	FEED DRIVING ROCKER BLOCK PIN				1
54	B1646555000	TENSION SPRING				1
55	SS7121410TP	SCREW 3/16-28 L=14				1
56	WP0450846SP	WASHER				2
57	10029304	REVERSE FEED LIMITER				1
58	SS6111140SP	SCREW 11/64-40 L=11				1
59	22545107	FEED DOG	VARIOUS NOS.FOR DESTINATIONS			1
60	SS8150710SP	SCREW 15/64-28 L=7				2
61	22548804	FEED DOG	VARIOUS NOS.FOR DESTINATIONS			1
62	SD0900701TP	HINGE SCREW D=9 H=7				2

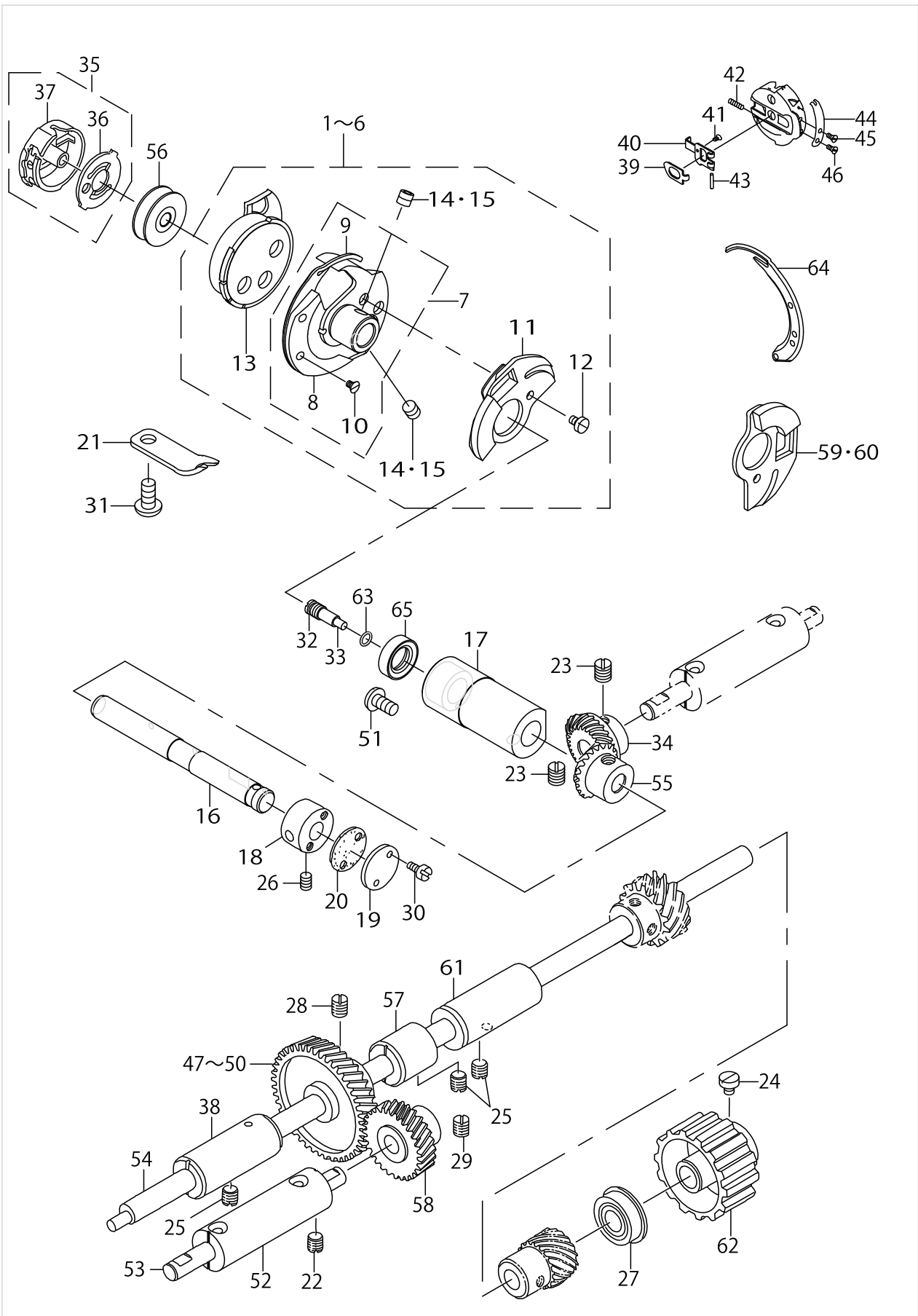
HOOK DRIVING SHAFT & HOOK COMPONENTS



HOOK DRIVING SHAFT & HOOK COMPONENTS

No.	Parts No.	Parts name	Remarks	Level	Cons	Qty
1	22525059	HOOK COMPL., RIGHT	SPECIAL ORDER PARTS			1
2	22525877	HOOK COMPL. V				1
3	22526677	HOOK COMPL. V (PLASTIC HOOK)	SPECIAL ORDER PARTS			1
4	22526578	HOOK COMPL. V (HARD POINT)	SPECIAL ORDER PARTS			1
5	22525257	HOOK COMBINATION (HARD POINT)	SPECIAL ORDER PARTS			1
6	22525752	HOOK ASM. (PLASTIC)	SPECIAL ORDER PARTS			1
7	22525968	ROTATING HOOK V ASM.	SPECIAL ORDER PARTS	*		1
8	22525919	OUTER HOOK V		*		1
9	23503501	INNER HOOK PRESSER V-S		*		1
10	10033009	HOOK GIB SCREW		*		2
11	22526206	REVERSE PLATE V		*		1
12	10033108	HOOK COUNTER BALANCE SCREW		*		1
13	22526008	INNER HOOK V		*		1
14	SS8110422TP	SCREW 11/64-40 L=4		*		2
15	SS8110520TP	SCREW 11/64-40 L= 4.5		*		2
16	40043050	HOOK SHAFT				1
17	40043051	HOOK SHAFT BUSHING				1
18	26304303	HOOK SHAFT BUSHING B				1
19	10031615	BUSHING CAP				1
20	10031714	GASKET				1
21	23503402	INNER HOOK STOPPER				1
22	SS8150710SP	SCREW 15/64-28 L=7				1
23	SS8660810TP	SCREW 1/4-40 L=8				4
24	SS6660710TP	SCREW 1/4-40 L=7				2
25	SS8150710SP	SCREW 15/64-28 L=7				3
26	SS8150822TP	SCREW 15/64-28 L=8				1
27	SB109530100	BEARING D=9.52X22.22				1
28	SS8660810TP	SCREW 1/4-40 L=8				2
29	SS8660810TP	SCREW 1/4-40 L=8				2
30	SS4080620TP	SCREW 1/8-44 L=6				2
31	SS4110915SP	SCREW 11/64-40 L=9				1
32	22916506	SET SCREW				1
33	11015906	OIL WICK				1
34	B13071550A0	GEAR ASM. LARGE				1
35	22524169	BOBBIN CASE ASM.	FOR LZ-2280N-7,LZ-2281N-7, LZ-2286N-7,LZ-2288N-7			1
36	13729702	BOBBIN CASE SPRING	FOR LZ-2280N-7,LZ-2281N-7, LZ-2286N-7,LZ-2288N-7	*		1
37	22524151	BOBBIN CASE COMPL.		*		1
38	26303800	BUSHING, FRONT				1
39	19800903	LC-601-1/ LATCH LEVER				1
40	19801000	LC-602-2/ LATCH				1
41	19801307	SMS-801-B/ SETSCREW PICK-UP				1
42	19801109	LSP-4/ LATCH SPRING				1
43	19801208	LFP-1/ LATCH PIN				1
44	19801406	TSP-604-B/ TENSION SPRING				1
45	19801505	SMS-608-B/ TENSION SCREW				1
46	19801604	SMS-609-B/ SETSCREW TENSION SP				1

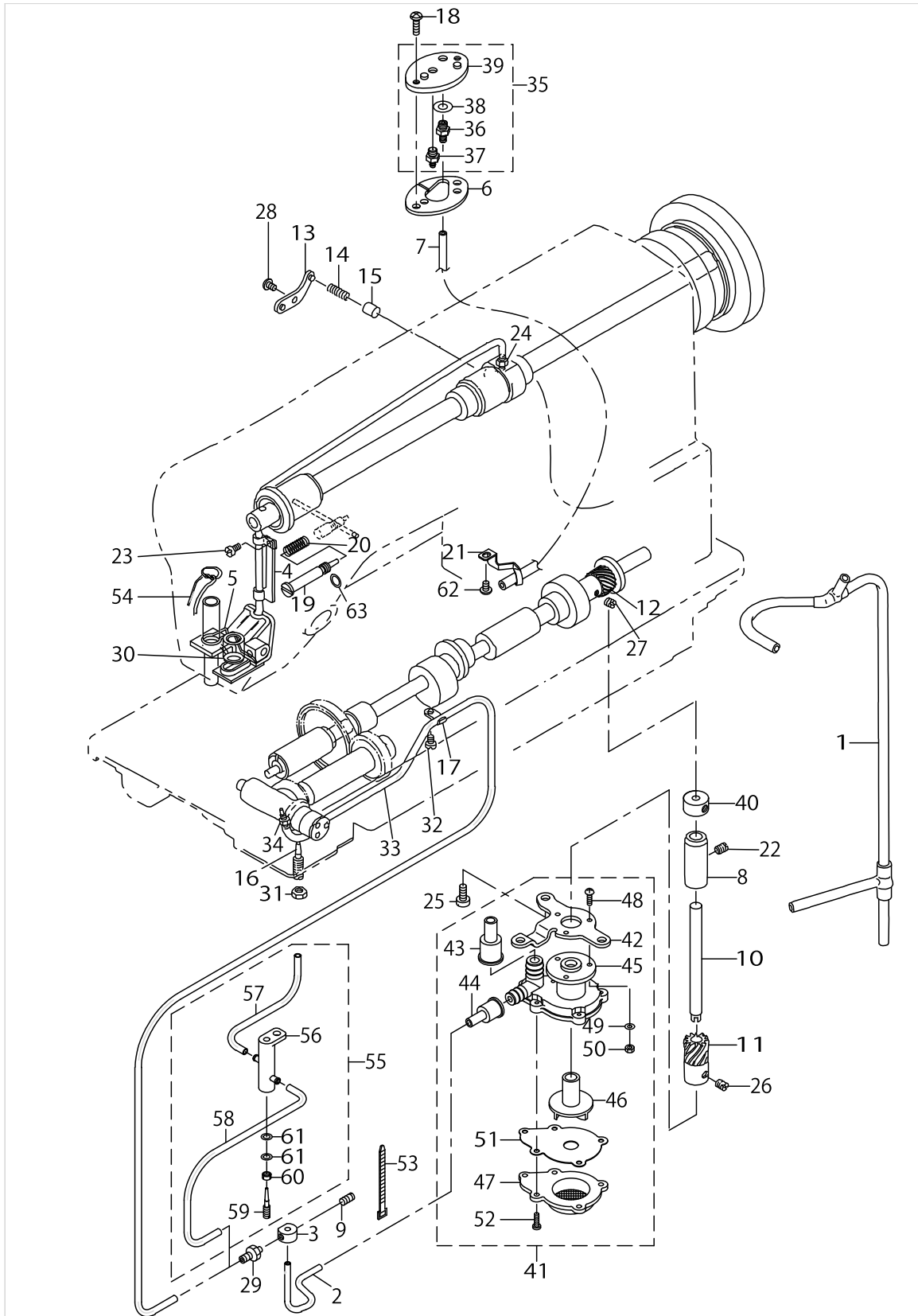
HOOK DRIVING SHAFT & HOOK COMPONENTS



HOOK DRIVING SHAFT & HOOK COMPONENTS

No.	Parts No.	Parts name	Remarks	Level	Cons	Qty
47	10030609	HELICAL GEAR A, A	SELECTIVE PARTS			1
48	10030708	HELICAL GEAR A, B	SELECTIVE PARTS			1
49	10030807	HELICAL GEAR A, C	SELECTIVE PARTS			1
50	10030906	HELICAL GEAR A, D	SELECTIVE PARTS			1
51	11079506	FRONT SCREW	SPECIAL ORDER PARTS			1
52	26309609	BUSHING				1
53	26309708	SHAFT				1
54	40010305	HOOK DRIVING SHAFT				1
55	B13081550A0	PINION ASM.				1
56	22596704	BOBBIN S				1
57	26303909	BUSHING				1
58	10031003	HELICAL GEAR B				1
59	22524805	REVERSE PLATE	SPECIAL ORDER PARTS			1
60	22526206	REVERSE PLATE V				1
61	26304006	BUSHING, REAR				1
62	10030401	HOOK DRIVING SHAFT SPROCKET				1
63	RO036080200	RUBBER RING				1
64	23503303	INNER PRESSER V-S4	SPECIAL ORDER PARTS			1
65	23537202	HOOK SHAFT OIL SEAL				1

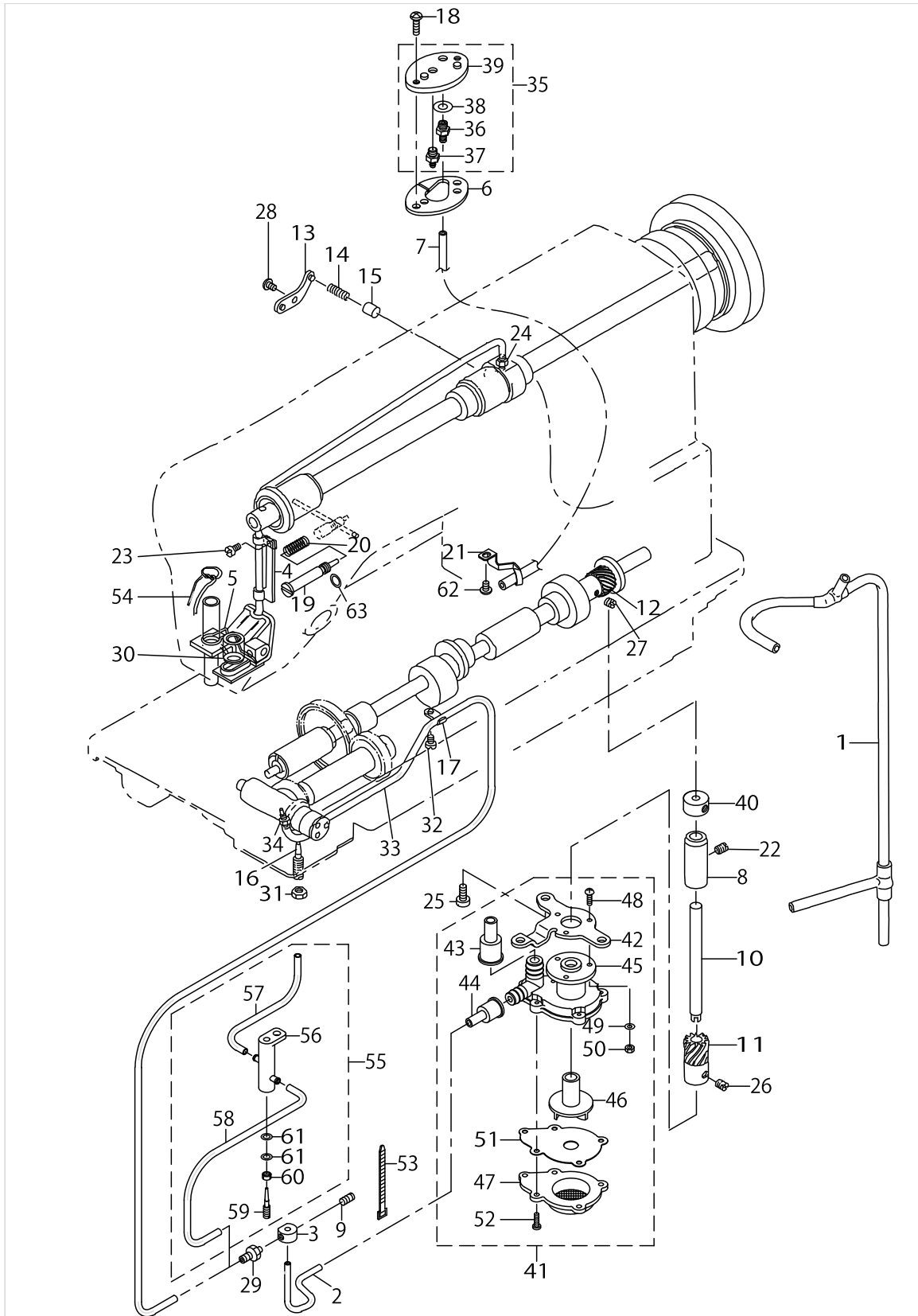
LUBRICATION COMPONENTS



LUBRICATION COMPONENTS

No.	Parts No.	Parts name	Remarks	Level	Cons	Qty
1	26315150	OIL SUPPLY PIPE ASM.				1
2	26315200	OIL SUPPLY PIPE				1
3	40035544	DISTRIBUTOR				1
4	22531552	FELT ASM.				1
5	26311902	FELT PRESSER				1
6	40070261	GASKET				1
7	BT0500300EA	OIL TUBE				0.3
8	10035301	BUSHING				1
9	SS8110510SP	SCREW 11/64-40 L=5				1
10	26315408	UPRIGHT SHAFT				1
11	10035111	PUMP DRIVING GEAR				1
12	10035004	PUMP DRIVING GEAR A				1
13	B3524552000	PLUNGER THRUST PLATE				1
14	B1214038000	PLUNGER SPRING				1
15	B3534155000	PLUNGER				1
16	10037109	OIL REGULATING SCREW				1
17	B3538112000	OIL RETURN TUBE HOLDER	VARIOUS NOS. FOR DESTINATIONS			1
18	SS4111415SP	SCREW 11/64-40 L=14				2
19	26304501	OIL REGULATING SCREW				1
20	22924906	OIL REGULATOR SCREW SPRING				1
21	40009373	OIL FELT GUIDE				1
22	SS8150710SP	SCREW 15/64-28 L=7				1
23	SS4110715SP	SCREW 11/64-40 L=7				1
24	SQ1110402MZ	CONNECTING SCREW				1
25	SS6111140SP	SCREW 11/64-40 L=11				2
26	SS8660530TP	SCREW 1/4-40 L= 4.5				2
27	SS8660530TP	SCREW 1/4-40 L= 4.5				2
28	SS4110615SP	SCREW 11/64-40 L=6				1
29	SQ1110402MZ	CONNECTING SCREW				1
30	CQ202000000	OIL WICK				0.2
31	NS6150310SP	NUT 15/64-28				1
32	SS4110515SP	SCREW 11/64-40 L=5				1
33	BT0500300EA	OIL TUBE	VARIOUS NOS. FOR DESTINATIONS			0.33
34	SQ1110402MZ	CONNECTING SCREW				2
35	40070259	OIL_TANK_ASM.				1
36	SQ2060451MZ	CONNECTING SCREW		*		1
37	40070262	CONNECTING_SCREW		*		1
38	WP0621016SD	WASHER 6.2X13X1		*		1
39	40070260	OIL_TANK		*		1
40	22917058	THRUST COLLAR ASM., FRONT				1
41	40020337	OIL PUMP ASM				1
42	40020342	OIL POMP INSTALLING BASE		*		1
43	40020343	RUBBER JOINT		*		1
44	40020344	RUBBER JOINT		*		1
45	40020338	OIL PUMP		*		1
46	40020345	OIL PUMP IMPELLER		*		1

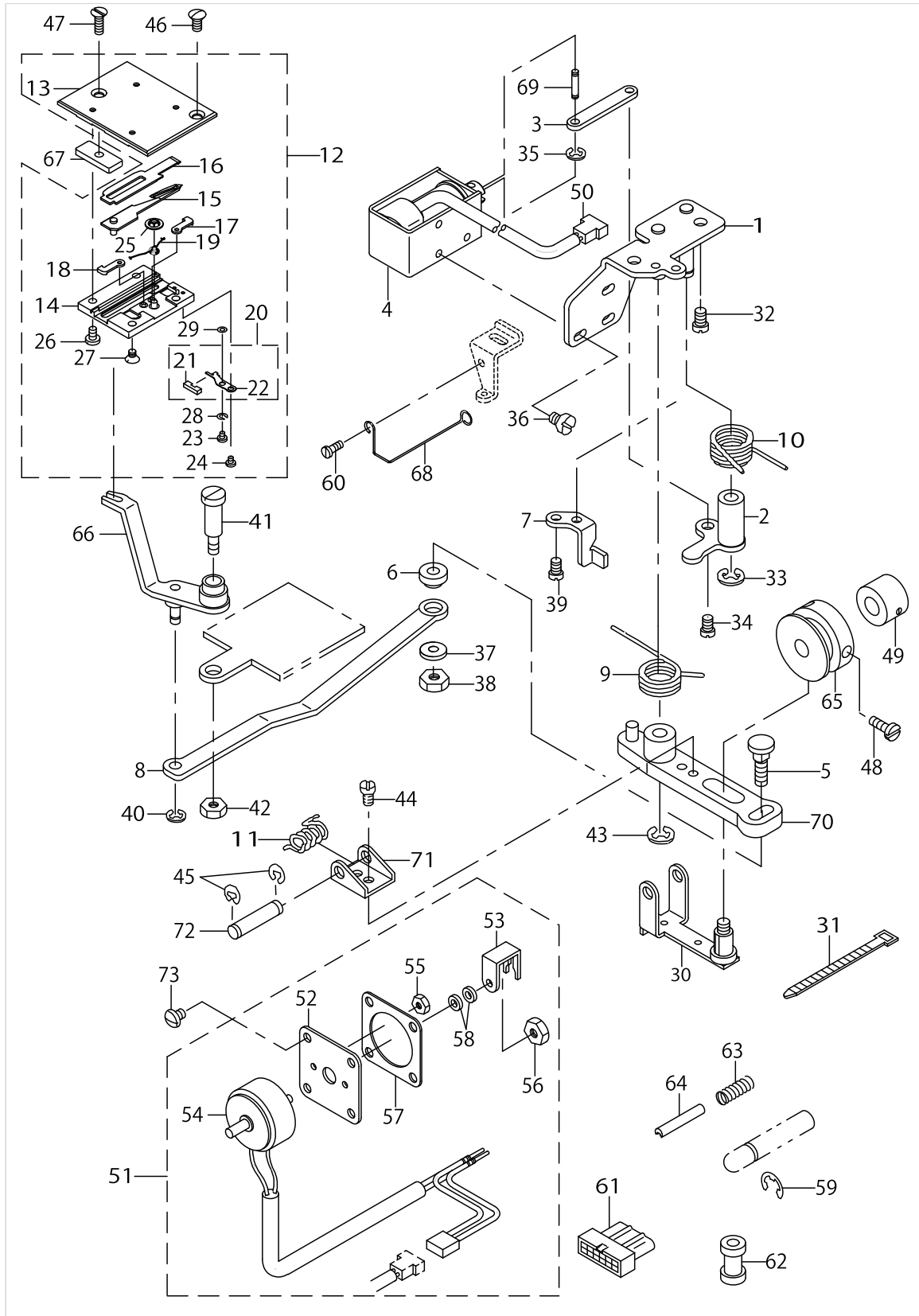
LUBRICATION COMPONENTS



LUBRICATION COMPONENTS

No.	Parts No.	Parts name	Remarks	Level	Cons	Qty
47	40020346	OIL PUMP COVER		*		1
48	SM4031001SC	SCREW M3X0.5 L=10		*		3
49	WT0320002KZ	WASHER		*		3
50	NM60300000E	NUT M3X0.5		*		3
51	40020341	OIL PUMP IMPELLER COVER		*		1
52	SE4301031SR	SCREW		*		5
53	EA9500B0100	CABLE BAND				1
54	CQ202000000	OIL WICK				0.2
55	40069742	OIL REGULATING VALVE ASM.	VARIOUS NOS. FOR DESTINATIONS			1
56	40069741	OIL REGULATING VALVE		*		1
57	BT0500300EA	OIL TUBE		*		0.15
58	BT0500300EA	OIL TUBE		*		0.2
59	10623601	OIL ADJUSTING SCREW		*		1
60	NS6110310SP	NUT 11/64-40		*		1
61	WP0450846SP	WASHER		*		2
62	SS4110615SP	SCREW 11/64-40 L=6				1
63	RO029180100	RUBBER RING				1

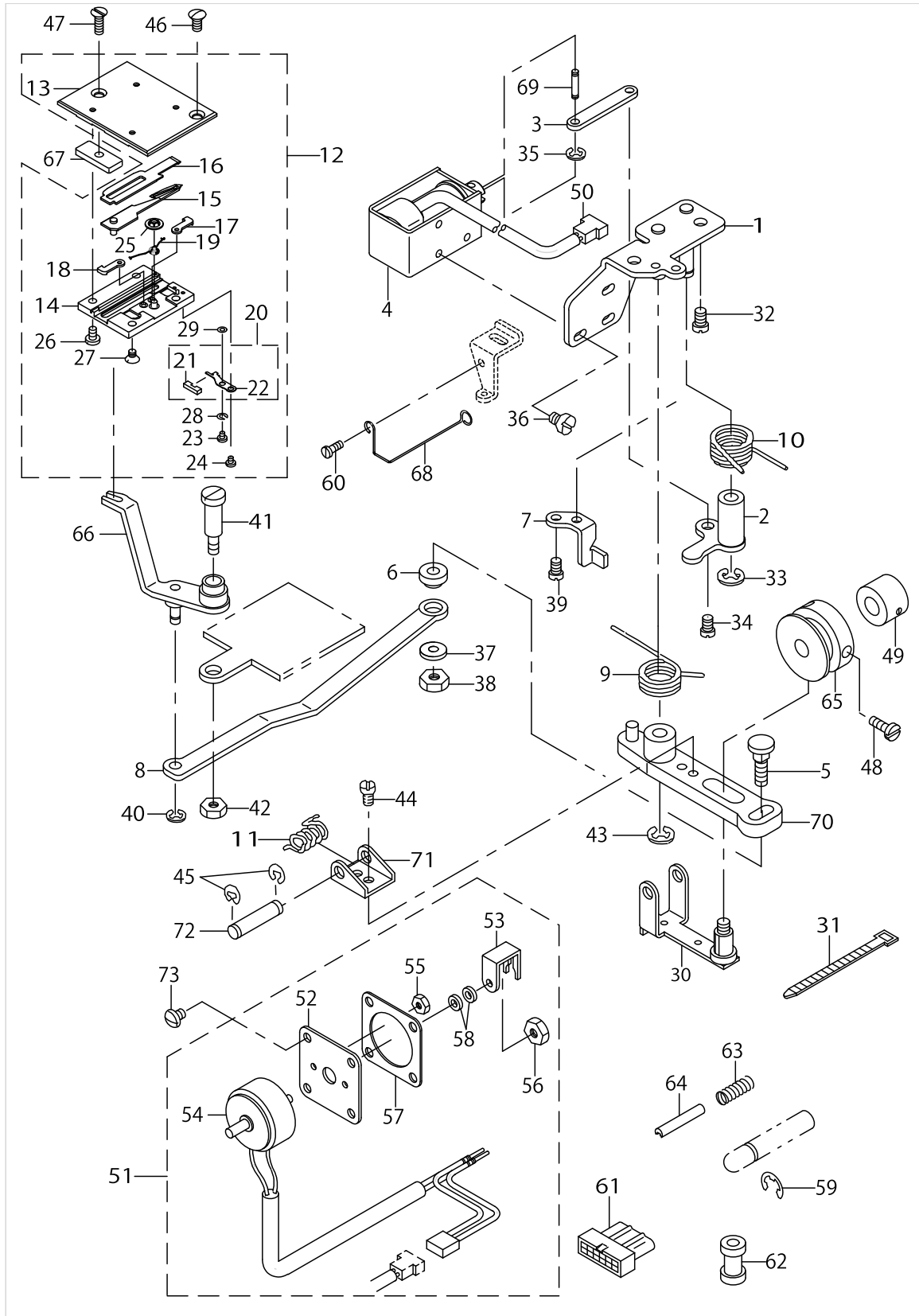
THREAD TRIMMER MECHANISM COMPONENTS



THREAD TRIMMER MECHANISM COMPONENTS

No.	Parts No.	Parts name	Remarks	Level	Cons	Qty
1	22554158	BASE PLATE ASM.				1
2	22554356	CLUTCH PLATE ASM.				1
3	22554505	CLUTCH LINK				1
4	22554604	MAGNET				1
5	22554703	MOVING KNIFE LINK PIN				1
6	22554802	MOVING KNIFE LINK BASE				1
7	22554901	DRIVING ARM STOPPER				1
8	22555007	MOVING KNIFE LINK				1
9	22555106	KNIFE RETURN SPRING				1
10	22555205	CLUTCH SPRING				1
11	22555304	ROLLER RETURN SPRING				1
12	22557458	KNIFE UNIT				1
13	22558308	SLIDING PLATE		*		1
14	22558407	KNIFE BASE		*		1
15	22557557	DRIVING KNIFE ASM.		*		1
16	22557706	FIXED KNIFE		*		1
17	22557805	KNIFE STOPPER, RIGHT		*		1
18	22557904	KNIFE STOPPER, LEFT		*		1
19	22558209	SPRING		*		1
20	22558159	CLAMP PLATE ASM.		*		1
21	22558001	FELT		*		1
22	22558100	CLAMP PLATE		*		1
23	SS7060310SP	SCREW 3/32-56 L=3		*		1
24	SS7060310SP	SCREW 3/32-56 L=3		*		1
25	NP210300000	LOCATING SPRING WASHER		*		1
26	SS7090610SP	SCREW 9/64-40 L=6		*		2
27	SS1090510SP	SCREW 9/64-40 L=5		*		2
28	WS0270002KN	SPRING WASHER M2.6		*		1
29	D2056772B0B	WASHER B T=0.4		*		1
30	22555858	ROLLER ARM ASM.				1
31	EA9500B0100	CABLE BAND				2
32	SS4150915SP	SCREW 15/64-28 L=9				2
33	RE0600000K0	E-RING 6				1
34	SD0600291TP	HINGE SCKEW D=6 H=2.9				1
35	RE0250000K0	E-RING 2.5				2
36	SM4040601SB	SCREW M4 L=6				3
37	WP0621016SH	WASHER				1
38	NS6150430SP	NUT 15/64-28				1
39	SS4110915SP	SCREW 11/64-40 L=9				2
40	RE0500000K0	E-RING				1
41	SD0791503SP	HINGE SCREW D=7.94 H=15				1
42	NS6150310SP	NUT 15/64-28				1
43	RE0600000K0	E-RING 6				1
44	SS7090610SP	SCREW 9/64-40 L=6				1
45	RE0400000K0	E-RING 4				1
46	SS2110920TP	SCREW 11/64-40 L=8.5				1
47	SS2111010TP	SCREW 11/64-40 L=9.5				1

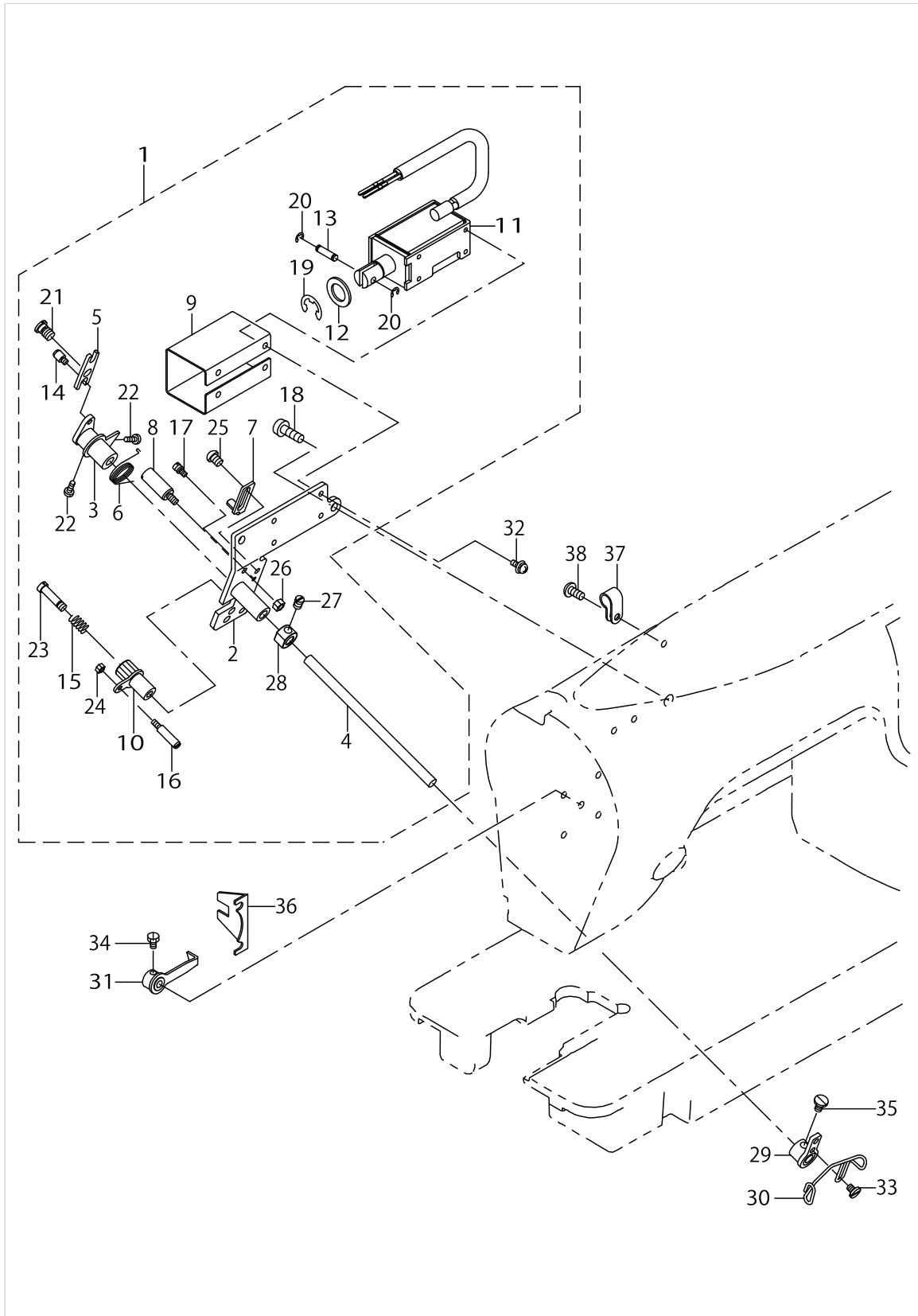
THREAD TRIMMER MECHANISM COMPONENTS



THREAD TRIMMER MECHANISM COMPONENTS

No.	Parts No.	Parts name	Remarks	Level	Cons	Qty
48	SS6660710TP	SCREW 1/4-40 L=7				2
49	CS095101BSH	THRUST COLLAR ASM. D=9.53 W=10				1
50	HK00443002A	HOUSING 2P				1
51	22552764	SOLENOID ASM.				1
52	22552806	SOLENOID FITTING BASE		*		1
53	22552905	THREAD RELEASE PUSH PLATE		*		1
54	22552756	THREAD RELEASE SOLENOID ASM.		*		1
55	NM6030001SC	NUT M3		*		2
56	NM6040001SN	NUT M4X0.7		*		1
57	22501704	GASKET		*		1
58	13705603	FRAME SIDE COVER GASKET		*		2
59	RE0400000K0	E-RING 4				1
60	SS4110515SP	SCREW 11/64-40 L=5				1
61	HK034610140	HOUSING 14P				1
62	D2467555B00	RUBBER PLUG				2
63	16194300	SPRING				1
64	PS0300182KF	SPRING PIN 3X18				1
65	22558506	THREAD CUTTING CAM B				1
66	22555551	FORK KNIFE ASM.				1
67	22556906	FIXED PLATE				1
68	22557003	CORD PRESSER				1
69	D2107555B00	WIPER LINK SHAFT, A				1
70	11040854	KNIFE DRIVING ARM ASM.				1
71	11041308	ROLLER ARM BRACKET				1
72	11041407	ROLLER FULCRUM SHAFT				1
73	SS4120615SP	SCREW 3/16-28 L=6				4

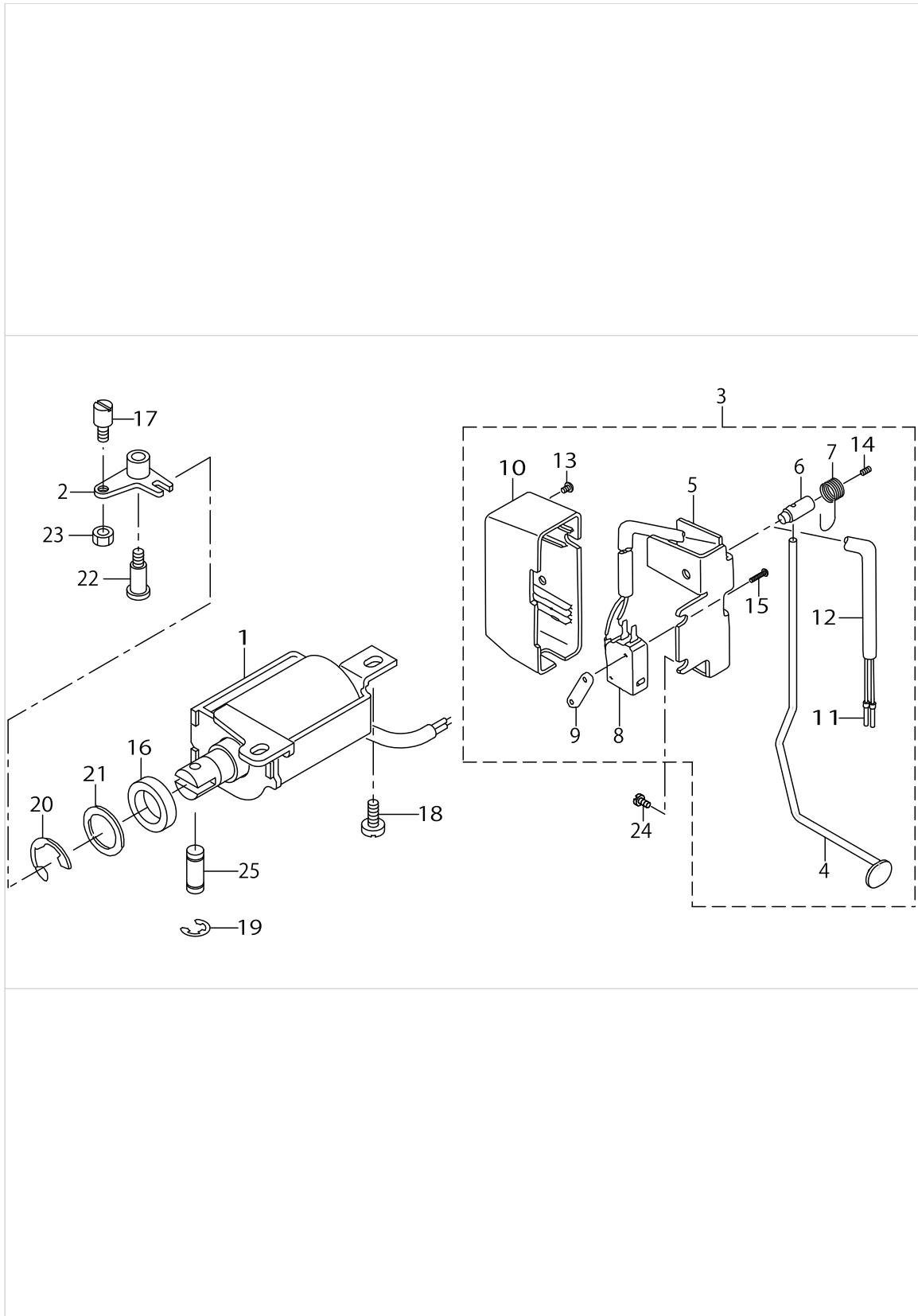
UPPER THREAD FEEDER COMPONENTS



UPPER THREAD FEEDER COMPONENTS

No.	Parts No.	Parts name	Remarks	Level	Cons	Qty
1	22564157	THREAD FEEDER ASM.				1
2	22564256	FITTING BASE COMPL.		*		1
3	22564454	FEED LEVER COMPL.		*		1
4	22564702	FEED LEVER SHAFT		*		1
5	22564801	LINK		*		1
6	22565204	FEED LEVER SPRING		*		1
7	22565303	STOPPER		*		1
8	22565402	SHAFT		*		1
9	22565501	SOLENOID COVER		*		1
10	22565659	PLATE		*		1
11	22565857	SOLENOID COMPL.		*		1
12	11234408	SOLENOID RUBBER		*		1
13	11234507	PLUNGER CONNECTING PIN		*		1
14	B2560372000	BUTTON CLAMP STOP PIN		*		1
15	B2626372000	SPRING		*		1
16	B2034372000	THREAD RELEASING SCREW STUD		*		1
17	B2024771000	SUSPENSION SCREW		*		1
18	SS4120915SP	SCREW 3/16-28 L=9		*		2
19	RE0900000K0	E-RING 9		*		1
20	RE0300000K0	E-RING 3		*		2
21	SD0640241SP	HINGE SCREW D= 6.35 H= 2.4		*		1
22	SS7110540SP	SCREW 11/64-40 L=5		*		2
23	SD0481451SP	HINGE SCREW D= 4.80 H=14.5		*		1
24	NS6080340SP	NUT 1/8-44		*		1
25	SS4120615SP	SCREW 3/16-28 L=6		*		1
26	NS6120310SP	NUT 3/16-28		*		1
27	SS7110540SP	SCREW 11/64-40 L=5		*		2
28	CS0640863SH	THRUST COLLAR D=6.35 W=8		*		1
29	22564959	FITTING PLATE COMPL.				1
30	22565105	WIRE				1
31	22566152	STOPPER PLATE COMPL.				1
32	SL4030881SF	SCREW M3 L=8				4
33	SS6090540SP	SCREW 9/64-40 L= 5.0				2
34	SS9090610TP	SCREW 9/64-40 L=5.5				2
35	SS9110620TP	SCREW				2
36	22566301	STOPPER PLATE GUIDE				1
37	HX00123000A	CABLE CLIP	FOR LZ-2280N-7-00			1
38	SS4121015SP	SCREW 3/16-28 L=10	FOR LZ-2280N-7-00			1

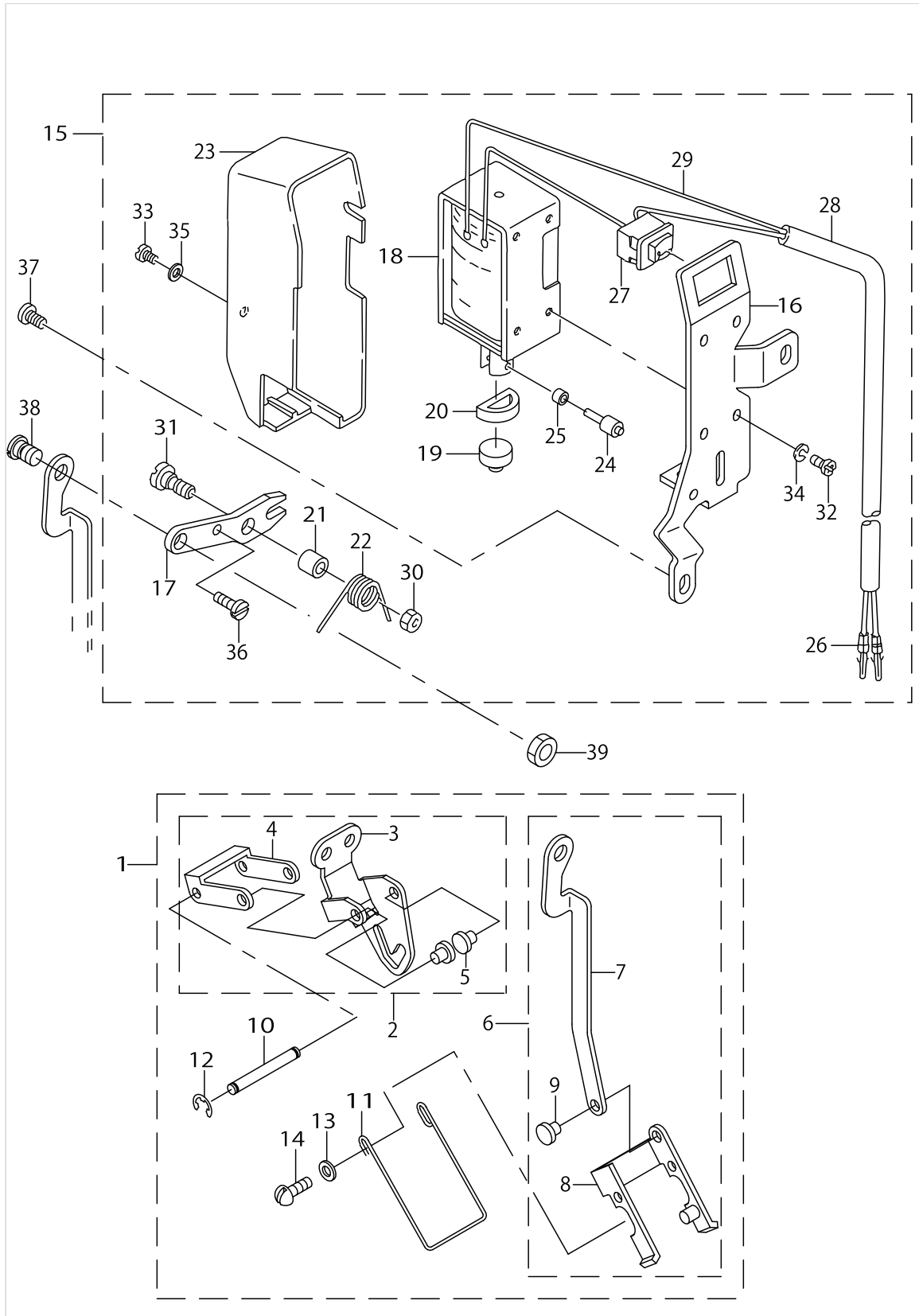
AUTOMATIC REVERSE FEED MECHANISM COMPONENTS



AUTOMATIC REVERSE FEED MECHANISM COMPONENTS

No.	Parts No.	Parts name	Remarks	Level	Cons	Qty
1	22559058	MAGNET ASM.				1
2	22544159	REVERSE FEED MAGNET LINK				1
3	22559850	REVERSE FEED SWITCH				1
4	22559900	REVERSE FEED SWITCH LEVER		*		1
5	11102001	REVERSE FEED SWITCH BASE		*		1
6	11102100	REVERSE FEED SWITCH SHAFT		*		1
7	11102209	REVERSE FEED SWITCH SPRING		*		1
8	HA001900000	MICROSWITCH		*		1
9	11102308	MICRO SWITCH PLATE		*		1
10	11072501	REVERSE FEED SWITCH COVER		*		1
11	HK03464000B	PIN CONTACT		*		2
12	HW500070000	2-CORE CABTYRE CORD		*		1.5
13	SM4040655SP	SCREW M4 L=6		*		1
14	SM8040802TP	SCREW M4X8		*		1
15	SM4031501SC	SCREW M3 L=15		*		2
16	D2468555B00	RUBBER PLUNGER				1
17	B1213372000	SCREW				1
18	SS4150915SP	SCREW 15/64-28 L=9				2
19	RE0400000K0	E-RING 4				2
20	RE1200000K0	E-RING 12				1
21	WP1602616SZ	WASHER 16X24X2.6				1
22	SD0791503SP	HINGE SCREW D=7.94 H=15				1
23	NS6150310SP	NUT 15/64-28				1
24	SS4120615SP	SCREW 3/16-28 L=6				2
25	11101003	PLUNGER ARM PIN				1

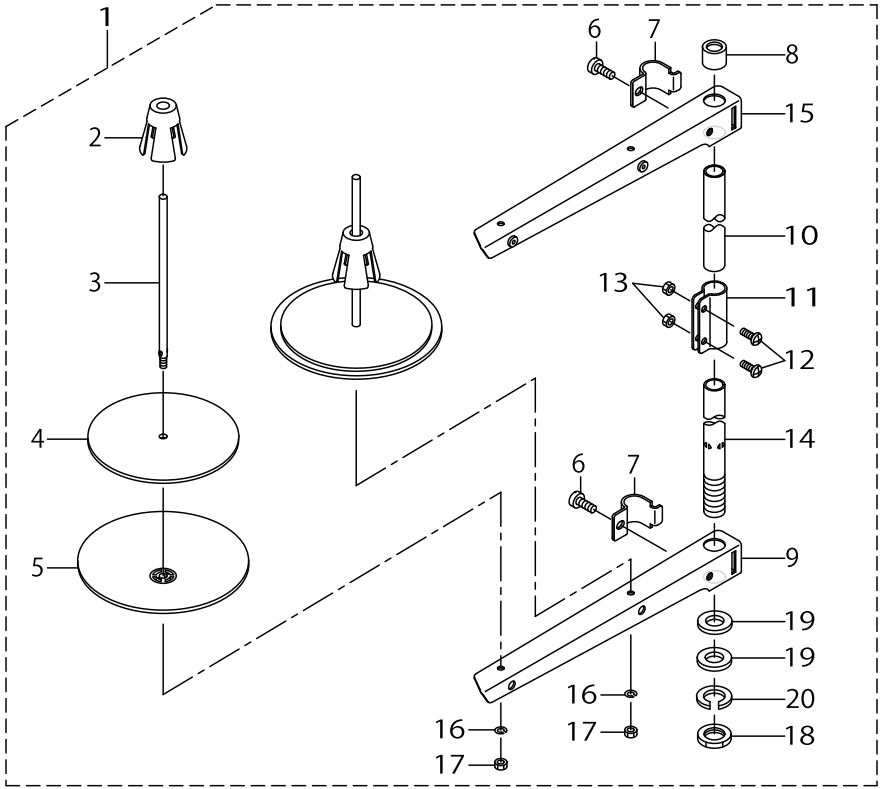
WIPER MECHANISM COMPONENTS



WIPER MECHANISM COMPONENTS

No.	Parts No.	Parts name	Remarks	Level	Cons	Qty
1	22561757	WIPER ASM.				1
2	22561856	WIPER BASE ASM.		*		1
3	22561807	WIPER BASE		*		1
4	10208601	WIPER LINK 1		*		1
5	D2107490D00	PIN		*		2
6	22561955	WIPER LINK COMPL.		*		1
7	22561906	WIPER LINK		*		1
8	10208858	WIPER LINK ASM. 2		*		1
9	D2107490D00	PIN		*		1
10	10208700	WIPER LINK SHAFT		*		1
11	22561708	WIPER		*		1
12	RE0320000K0	E-RING 3.2		*		2
13	WP0371016SD	WASHER 3.7X8X1		*		2
14	SS3090520SP	SCREW 9/64-40 L=4.5		*		2
15	22562052	SOLENOID ASM.				1
16	22562102	WIPER BASE		*		1
17	22562201	WIPER LINK		*		1
18	11110301	WIPER SOLENOID		*		1
19	22955900	WIPER RUBBER A		*		1
20	22956007	WIPER RUBBER B		*		1
21	22956205	WIPER HINGE SCREW COLLAR		*		1
22	11110806	WIPER SPRING		*		1
23	22955504	WIPER COVER		*		1
24	22957104	WIPER SOLENOID SHAFT		*		1
25	22957203	WIPER LINK COLLAR		*		1
26	HK03464000B	PIN CONTACT		*		2
27	HA000590000	POWER SWITCH		*		1
28	HW500070000	2-CORE CABTYRE CORD		*		1.5
29	HW200390000	ELECTRIC WIRE		*		0.1
30	NS6110310SP	NUT 11/64-40		*		1
31	SD0650321TP	HINGE SCREW D=6.5 H=3.2		*		1
32	SM4030601SN	SCREW M3 X 6		*		4
33	SM4030601SN	SCREW M3 X 6		*		1
34	WS0310002KN	SPRING WASHER M3		*		4
35	WP0320501SC	WASHER M3		*		1
36	SS6111040SP	SCREW 11/64-40 L= 9.5		*		1
37	SS4120615SP	SCREW 3/16-28 L=6				2
38	SD0600271SP	HINGE SCREW D= 6 H= 2.7				1
39	NS6110310SP	NUT 11/64-40				1

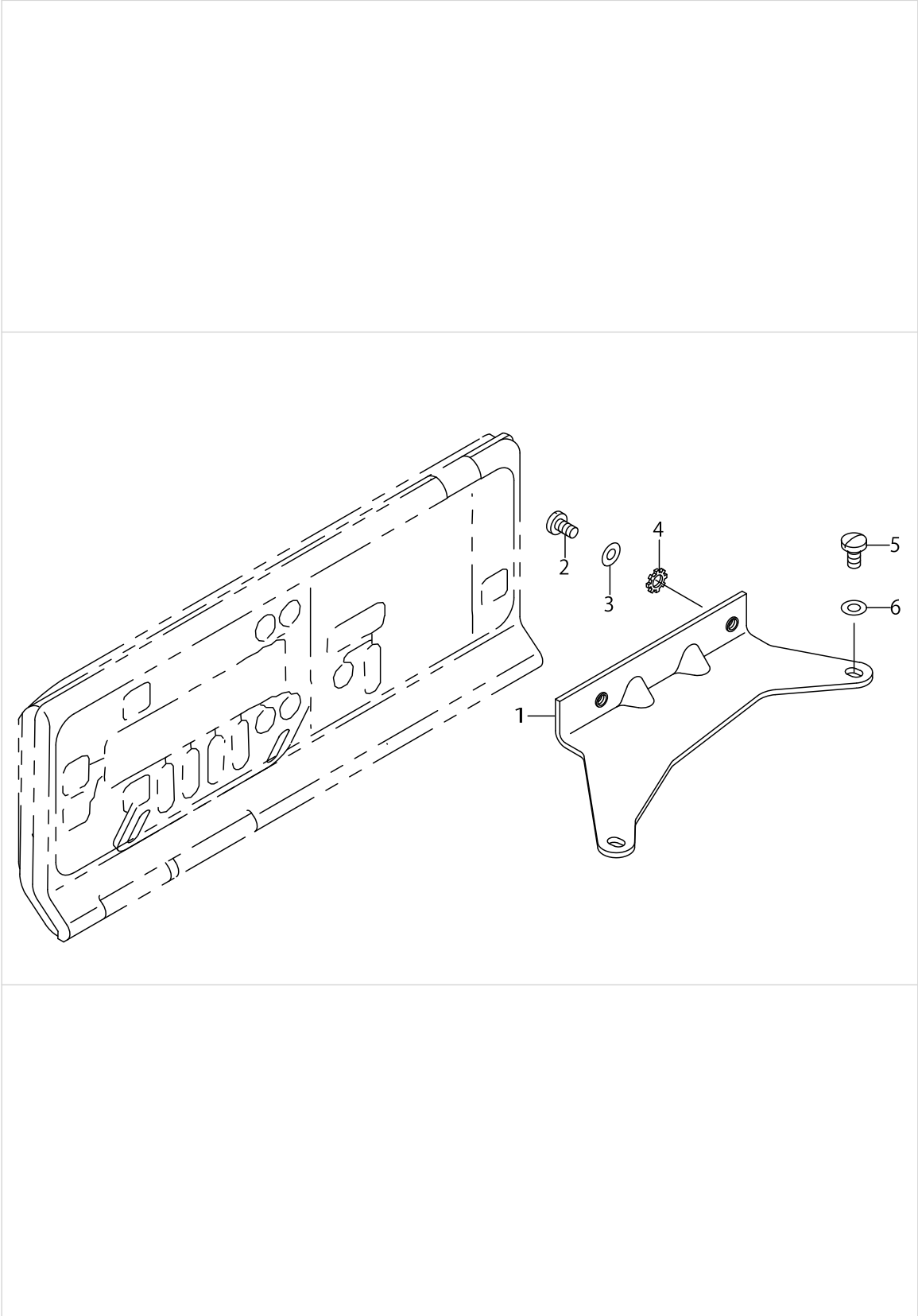
THREAD STAND COMPONENTS



THREAD STAND COMPONENTS

No.	Parts No.	Parts name	Remarks	Level	Cons	Qty
1	22930358	THREAD STAND ASM.				1
2	22931109	SPOOL RETAINER		*		2
3	22931000	SPOOL PIN		*		2
4	22930903	SPOOL REST CUSHION		*		2
5	22930804	SPOOL REST		*		2
6	SM6061610SC	SCREW M6 L=16		*		2
7	22930705	THREAD GUIDE ARM JOINT		*		2
8	22931406	SPOOL REST ROD RUBBER CAP		*		1
9	22930507	SPOOL REST ARM		*		1
10	22930408	SPOOL REST ROD, UPPER		*		1
11	22931307	SPOOL REST ROD JOINT		*		1
12	SM4051405SE	SCREW M5 L=14		*		2
13	NM6050001SE	NUT M5		*		2
14	22930309	SPOOL REST ROD, LOWER		*		1
15	22930556	THREAD STANDING ARM ASM.		*		1
16	WS0510002KN	SPRING WASHER		*		2
17	NM6050001SE	NUT M5		*		2
18	NM6160511SE	NUT M16X1.5		*		1
19	WP1612616SE	WASHER 16X30X2.6		*		2
20	WS1643202KR	SPRING WASHER		*		1

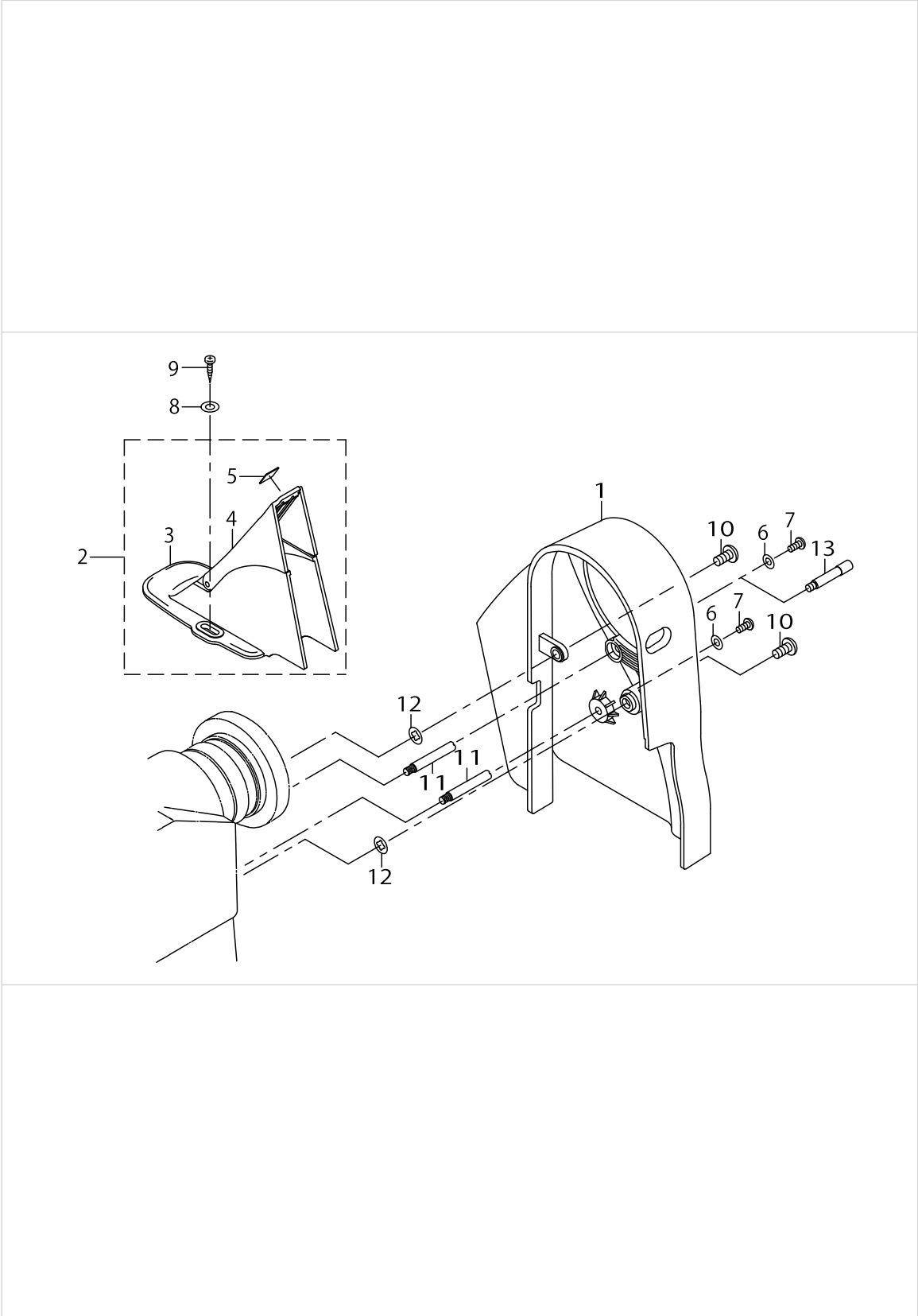
CP PANEL COMPONENTS



CP PANEL COMPONENTS

No.	Parts No.	Parts name	Remarks	Level	Cons	Qty
1	22550602	BRACKET	FOR LZ-2280N-7,LZ-2281N-7, LZ-2286N-7,LZ-2288N-7			1
2	SS7110840SP	SCREW 11/64-40 L=7.8	FOR LZ-2280N-7,LZ-2281N-7, LZ-2286N-7,LZ-2288N-7			2
3	WP0450801SD	WASHER 4.5X10X0.8	PARTS PACKED TOGETHER WITH THE CP PANEL			2
4	WT0530002KS	TOOTHED WASHER D=5.3	PARTS PACKED TOGETHER WITH THE CP PANEL			2
5	SS7120910TP	SCREW 3/16-28 L=9	FOR LZ-2280N-7,LZ-2281N-7, LZ-2286N-7,LZ-2288N-7			2
6	WP0531001SC	WASHER	FOR LZ-2280N-7,LZ-2281N-7, LZ-2286N-7,LZ-2288N-7			2

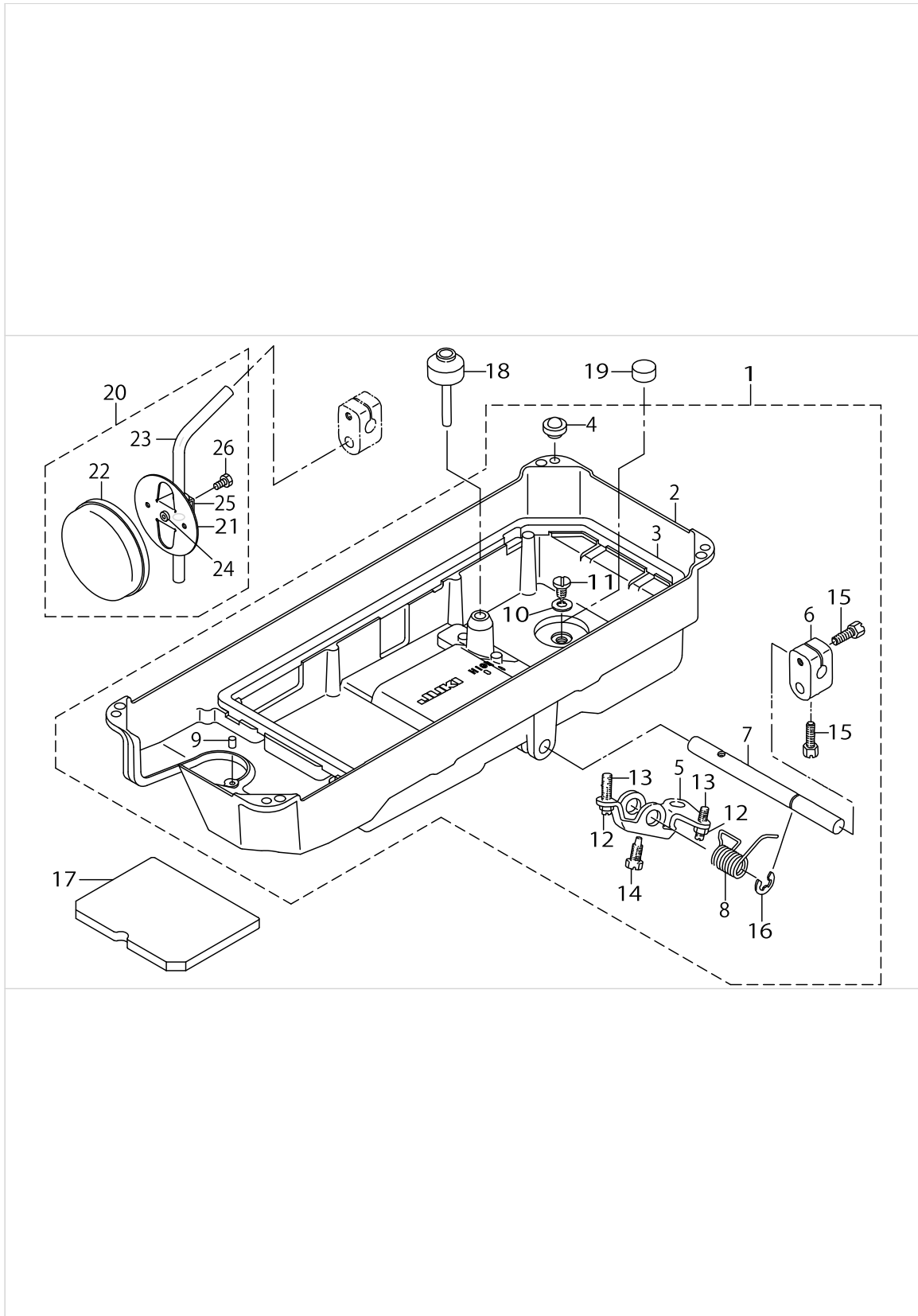
BELT COVER COMPONENTS



BELT COVER COMPONENTS

No.	Parts No.	Parts name	Remarks	Level	Cons	Qty
1	26319400	BELT COVER A				1
2	26319558	BELT COVER B (COMPL.)				1
3	26319509	BELT COVER B		*		1
4	26319608	BELT COVER C		*		1
5	26319806	VIBROISOLATING RUBBER		*		1
6	WP0450801SD	WASHER 4.5X10X0.8				2
7	SS4110915SP	SCREW 11/64-40 L=9				2
8	WP0450826SC	WASHER 4.5X10X0.8				2
9	SK3412001SE	WOOD SCREW D=4.1 L=20				2
10	SS4151215SP	SCREW 15/64-28 L=12				2
11	10039105	BELT COVER SUPPORT STUD				2
12	22535603	WASHER				2
13	22535454	SYNCHRONIZER SUPPORT ASM.	SPECIAL ORDER PARTS			1

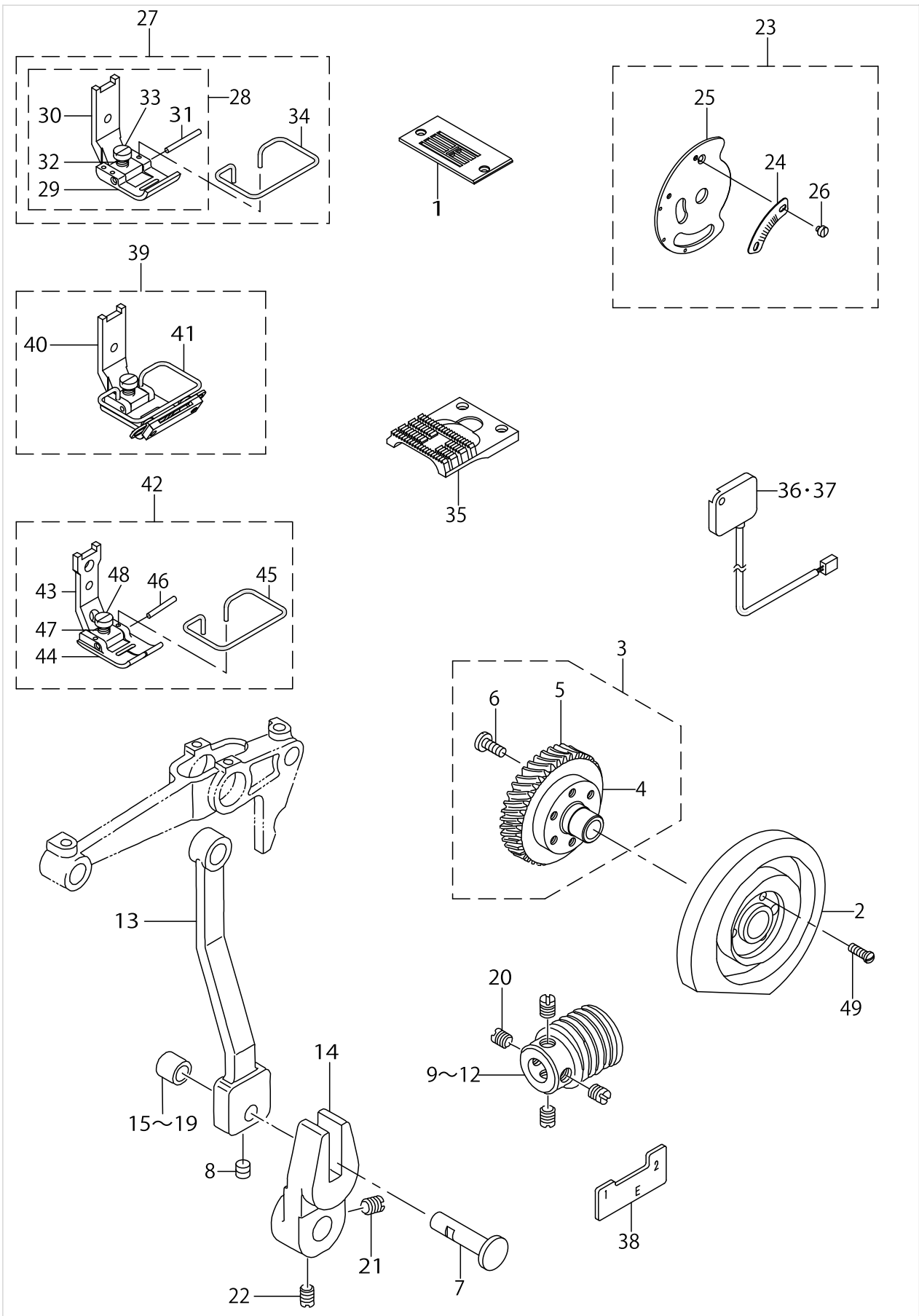
OIL RESERVOIR & KNEE LIFTER COMPONENTS



OIL RESERVOIR & KNEE LIFTER COMPONENTS

No.	Parts No.	Parts name	Remarks	Level	Cons	Qty
1	23502651	OIL RESERVOIR ASM.				1
2	22534010	OIL RESERVOIR		*		1
3	10038107	OIL RESERVOIR GASKET		*		1
4	11047107	RUBBER CUSHION		*		4
5	11024015	CONNECTING ROT, VERTICAL		*		1
6	11024510	BRACKET		*		1
7	11024205	KNEE PRESS ROD		*		1
8	11024106	SPRING		*		1
9	B1115850000	RUBBER PLUG		*		1
10	RO098240100	RUBBER RING		*		1
11	SM0081001SD	SCREW		*		1
12	NM6060001SE	NUT M6		*		2
13	SM8063012TR	SCREW M6 L=30		*		2
14	SM9061853SR	SCREW M6 L=17.5		*		1
15	SM9062053SR	SCREW M6 L=20		*		2
16	RE1000000K0	E-RING 10		*		1
17	22534101	OIL RESERVOIR BASE				1
18	B3421555000	KNEE PRESS LIFTER ROD				1
19	B8228125000	OIL RESERVOIR MAGNET				1
20	22934251	KNEE PAD PLATE ASM.				1
21	22934202	KNEE PAD PLATE		*		1
22	22934509	KNEE PAD PLATE COVER		*		1
23	22934608	KNEE PAD UPRIGHT SHAFT		*		1
24	22934400	KNEE PAD PLATE RUBBER		*		1
25	22934301	KNEE PAD PLATE SUPPORT		*		1
26	SM9061203SE	SCREW M6 L=12		*		1

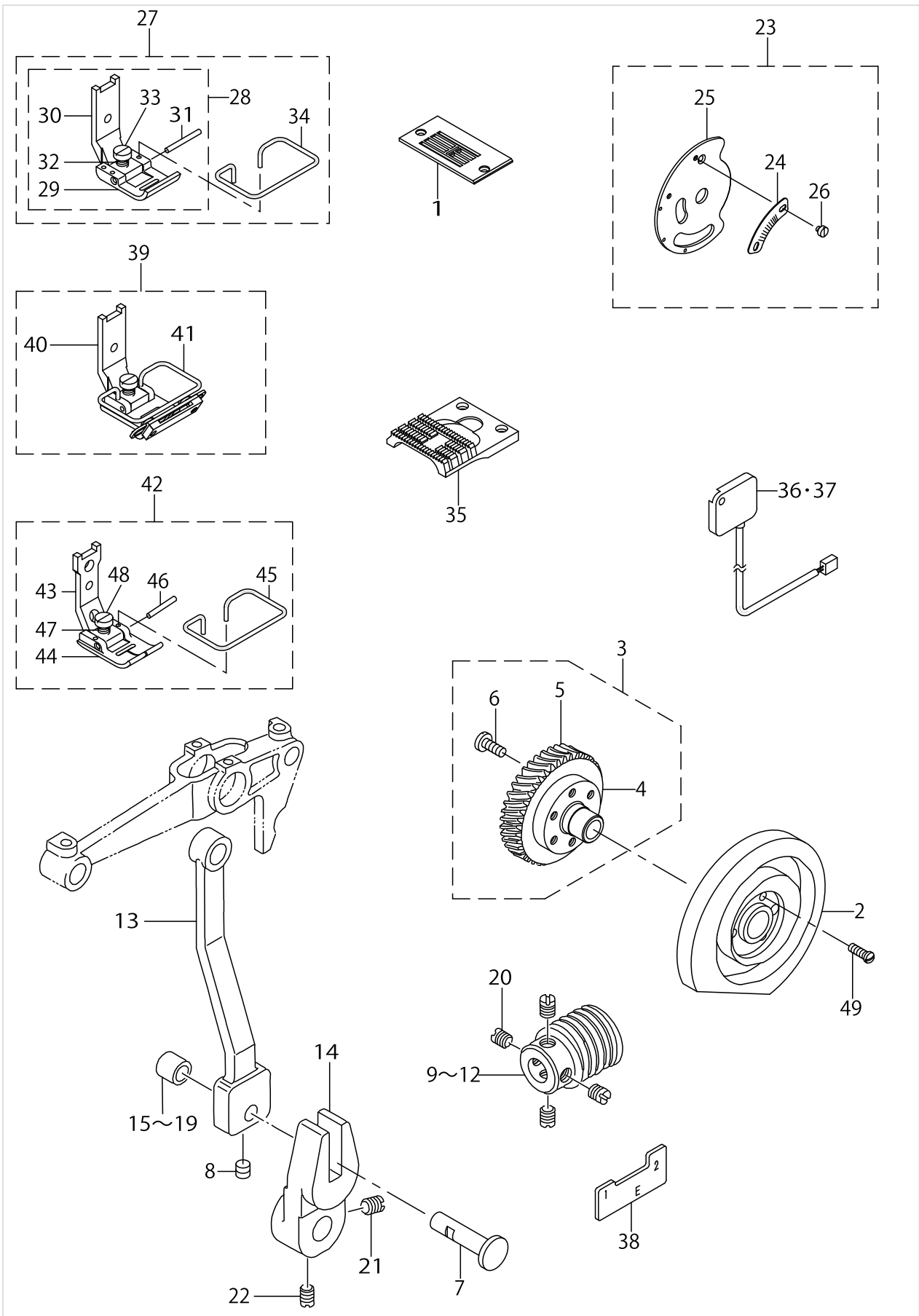
EXCLUSIVE PARTS FOR LZ-2286N



EXCLUSIVE PARTS FOR LZ-2286N

No.	Parts No.	Parts name	Remarks	Level	Cons	Qty
1	22582407	NEEDLE PLATE				1
2	22585400	NEEDLE VIBRATING CAM A				1
3	22585855	WORM WHEEL COMPL.				1
4	22585806	WORM WHEEL HUB		*		1
5	10043412	WORM WHEEL		*		1
6	SS7111120SP	SCREW 11/64-40 L=10.5		*		3
7	22585707	SHAFT				1
8	SS8110422TP	SCREW 11/64-40 L=4				1
9	22527006	WORM A	SELECTIVE PARTS			1
10	22527105	WORM B	SELECTIVE PARTS			1
11	22527204	WORM C	SELECTIVE PARTS			1
12	22527303	WORM D	SELECTIVE PARTS			1
13	10044014	NEEDLE VIBRATING ROD				1
14	10044105	ROD GUIDE				1
15	B2502280B0A	FEED CAM ROLLER	SELECTIVE PARTS			1
16	B2502280B0B	FEED CAM ROLLER	SELECTIVE PARTS			1
17	B2502280B0C	FEED CAM ROLLER	SELECTIVE PARTS			1
18	B2502280B0D	FEED CAM ROLLER	SELECTIVE PARTS			1
19	B2502280B0E	FEED CAM ROLLER	SELECTIVE PARTS			1
20	SS8660610TP	SCREW 1/4-40 L=6				4
21	SS8660810TP	SCREW 1/4-40 L=8				1
22	SS8660970TP	SCREW 1/4-40 L= 8.5				1
23	22586275	SWING WIDE GRADUATION ASM.				1
24	22586226	SWING WIDE GRADUATION		*		1
25	26306951	SCALE MOUNTING BASE COMPL.		*		1
26	SS6080320SP	SCREW 1/8-44 L= 2.5		*		2
27	22580864	PRESSER ASM.	VARIOUS NOS.FOR DESTINATIONS			1
28	10055069	PRESSER A ASM.	VARIOUS NOS.FOR DESTINATIONS	*		1
29	10055002	PRESSER LOWER A		*		1
30	10021004	PRESSER UPPER		*		1
31	10056109	PRESSER PIN A		*		1
32	B1525582000	SPRING		*		1
33	SS6090810SP	SCREW 9/64-40 L= 7.5		*		1
34	22580302	SAFETY COVER		*		1
35	22581508	FEED DOG	VARIOUS NOS.FOR DESTINATIONS			1
36	M6094350AAL	RESISTANCE PACK AL ASM.	FOR LZ-2286N-7			1
37	M6094350AAF	RESISTANCE PACK AF ASM.	VARIOUS NOS.FOR DESTINATIONS			1
38	22536502	TIMING GAUGE E				1
39	MAB109000B0	TAPING FOOT	FOR LZ-2286NT			1
40	MAB109000A0	TAPING PRESSER ASM.		*		1
41	22545404	SAFETY COVER		*		1
42	22584965	PRESSER FOOT ASM.	VARIOUS NOS.FOR DESTINATIONS			1
43	22545206	PRESSER FOOT (UPPER)		*		1
44	22584908	PRESSER FOOT (LOWER)		*		1
45	22545404	SAFETY COVER		*		1

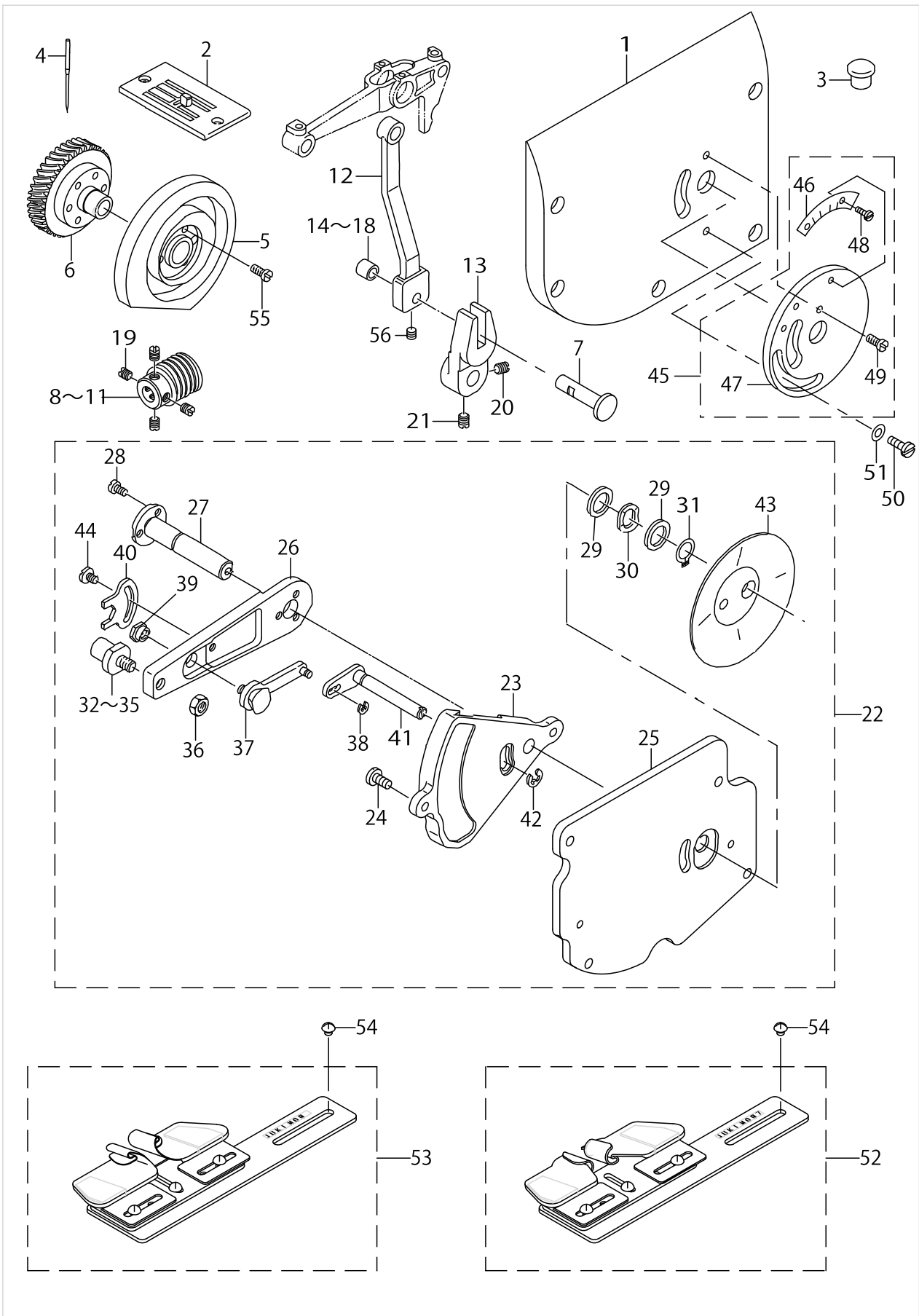
EXCLUSIVE PARTS FOR LZ-2286N



EXCLUSIVE PARTS FOR LZ-2286N

No.	Parts No.	Parts name	Remarks	Level	Cons	Qty
46	10021103	PRESSER PIN		*		1
47	B1525582000	SPRING		*		1
48	SS6090810SP	SCREW 9/64-40 L= 7.5		*		1
49	SS7111410SP	SCREW 11/64-40 L=14				3

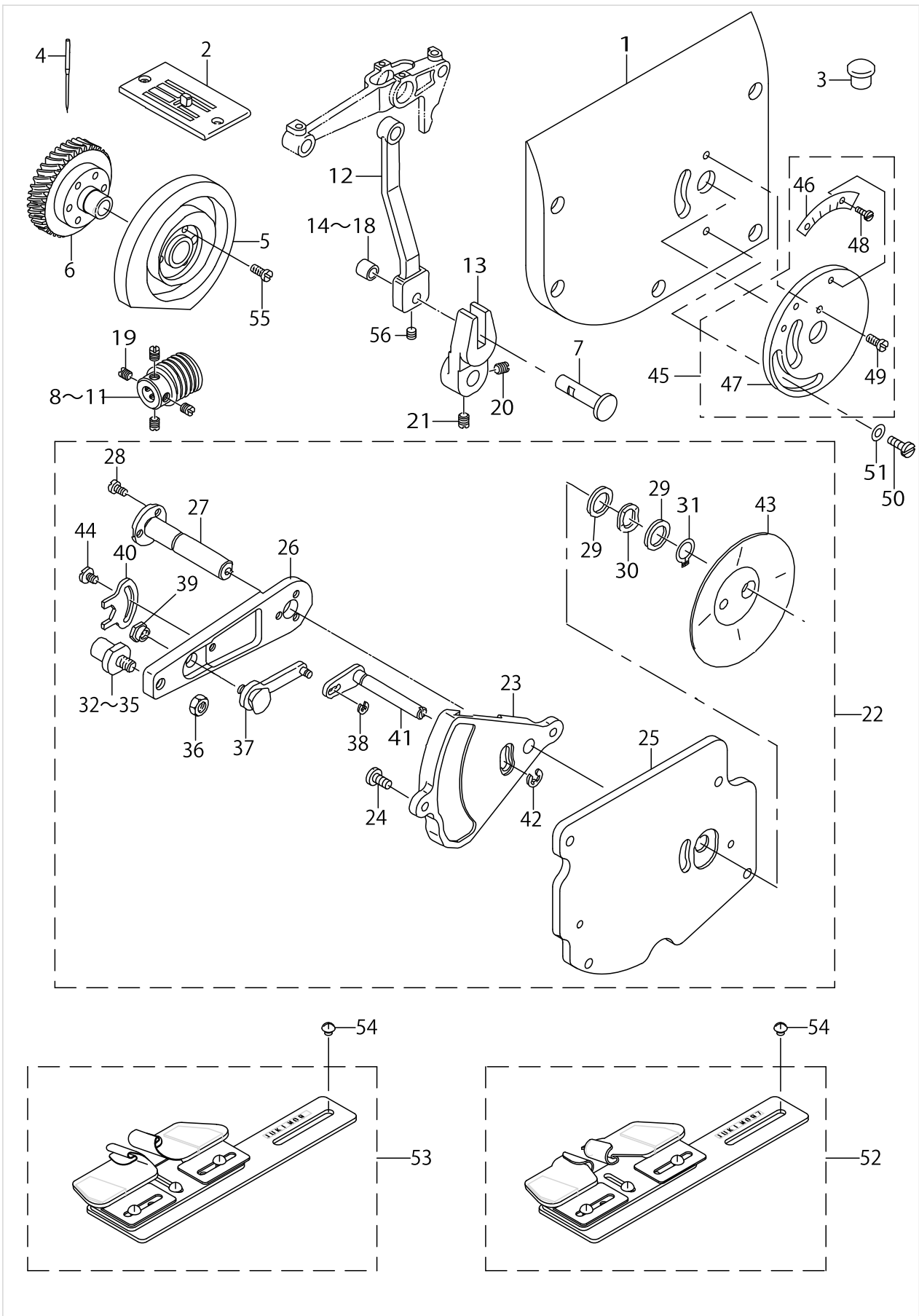
EXCLUSIVE PARTS FOR LZ-2285N (1)



EXCLUSIVE PARTS FOR LZ-2285N (1)

No.	Parts No.	Parts name	Remarks	Level	Cons	Qty
1	22592505	ARM SIDE COVER				1
2	10061554	THROAT PLATE ASM.				1
3	TA1871602R0	RUBBER PLUG				1
4	MC1923F0800	NEEDLE 438SUK 80				1
5	22585509	NEEDLE VIBRATING CAM				1
6	22585855	WORM WHEEL COMPL.				1
7	22585707	SHAFT				1
8	22527006	WORM	SELECTIVE PARTS			1
9	22527105	WORM	SELECTIVE PARTS			1
10	22527204	WORM	SELECTIVE PARTS			1
11	22527303	WORM	SELECTIVE PARTS			1
12	10044014	NEEDLE VIBRATING ROD				1
13	10044105	ROD GUIDE				1
14	B2502280B0A	FEED CAM ROLLER	SELECTIVE PARTS			1
15	B2502280B0B	FEED CAM ROLLER	SELECTIVE PARTS			1
16	B2502280B0C	FEED CAM ROLLER	SELECTIVE PARTS			1
17	B2502280B0D	FEED CAM ROLLER	SELECTIVE PARTS			1
18	B2502280B0E	FEED CAM ROLLER	SELECTIVE PARTS			1
19	SS8660610TP	SCREW 1/4-40 L=6				4
20	SS8660810TP	SCREW 1/4-40 L=8				1
21	SS8660970TP	SCREW 1/4-40 L= 8.5				1
22	22592653	BASE ASM.				1
23	10054112	ARM SETTING BASE		*		1
24	SS7110910TP	SCREW 11/64-40 L= 8.5		*		2
25	22592604	MOUNTING PLATE		*		1
26	26301507	ARM		*		1
27	26307306	SHAFT		*		1
28	SS6090620SP	SCREW 9/64-40 L=6		*		3
29	WP1020616SD	WASHER		*		2
30	WZ1052010KP	WAVED WASHER		*		1
31	RC0100001KP	SNAP RING M10		*		1
32	10016210	SHAFT	SELECTIVE PARTS	*		1
33	10016319	SHAFT	SELECTIVE PARTS	*		1
34	10016418	SHAFT	SELECTIVE PARTS	*		1
35	10016517	SHAFT	SELECTIVE PARTS	*		1
36	NS6150310SP	NUT 15/64-28		*		1
37	10017168	STOPPER ASM.		*		1
38	RE0200000K0	E-RING		*		1
39	10018000	NUT		*		1
40	10018109	NUT STOPPER		*		1
41	10015360	LEVER ASM.		*		1
42	RE0400000K0	E-RING 4		*		1
43	10017606	OIL SHIELD		*		1
44	SS6090520SP	SCREW 9/64-40 L= 5.0		*		1
45	22590061	SCALE ASM.				1
46	22586200	SCALE		*		1
47	22592802	SCALE MOUNTING BASE		*		1

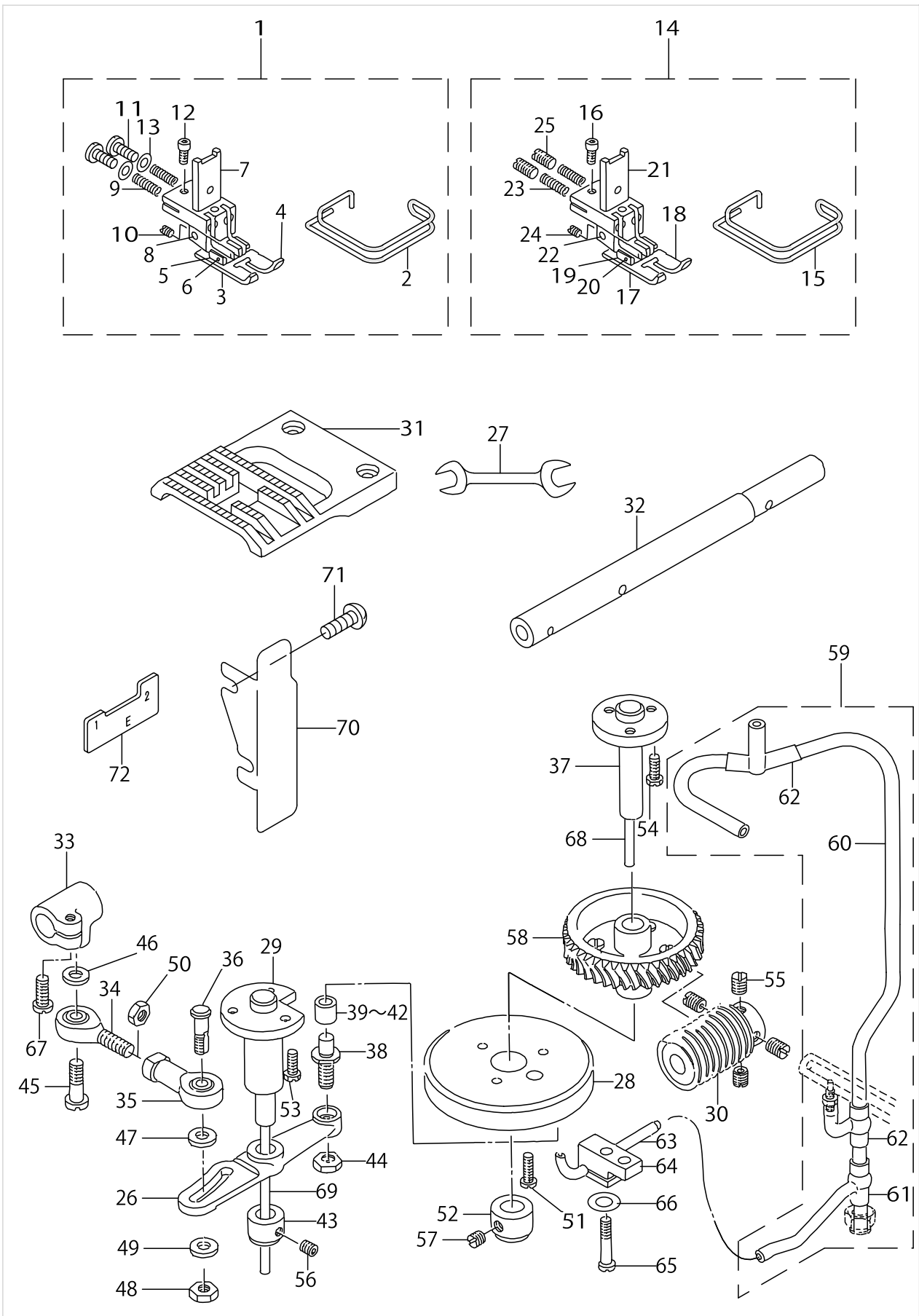
EXCLUSIVE PARTS FOR LZ-2285N (1)



EXCLUSIVE PARTS FOR LZ-2285N (1)

No.	Parts No.	Parts name	Remarks	Level	Cons	Qty
48	SS6080320SP	SCREW 1/8-44 L= 2.5		*		2
49	SS6111010SP	SCREW 11/64-40 L= 9.5		*		1
50	SS6110510SP	SCREW 11/64-40 L=5				1
51	WP0480856SP	WASHER 4.8X8.4X0.8				1
52	MAM097000A0	FAGOTTING FELLER	SPECIAL ORDER PARTS			1
53	MAM09700BA0	FAGOTING FOLDER ASM.				1
54	SS5110710SP	SCREW 11/64-40 L=7				2
55	SS7111410SP	SCREW 11/64-40 L=14				3
56	SS8110422TP	SCREW 11/64-40 L=4				1

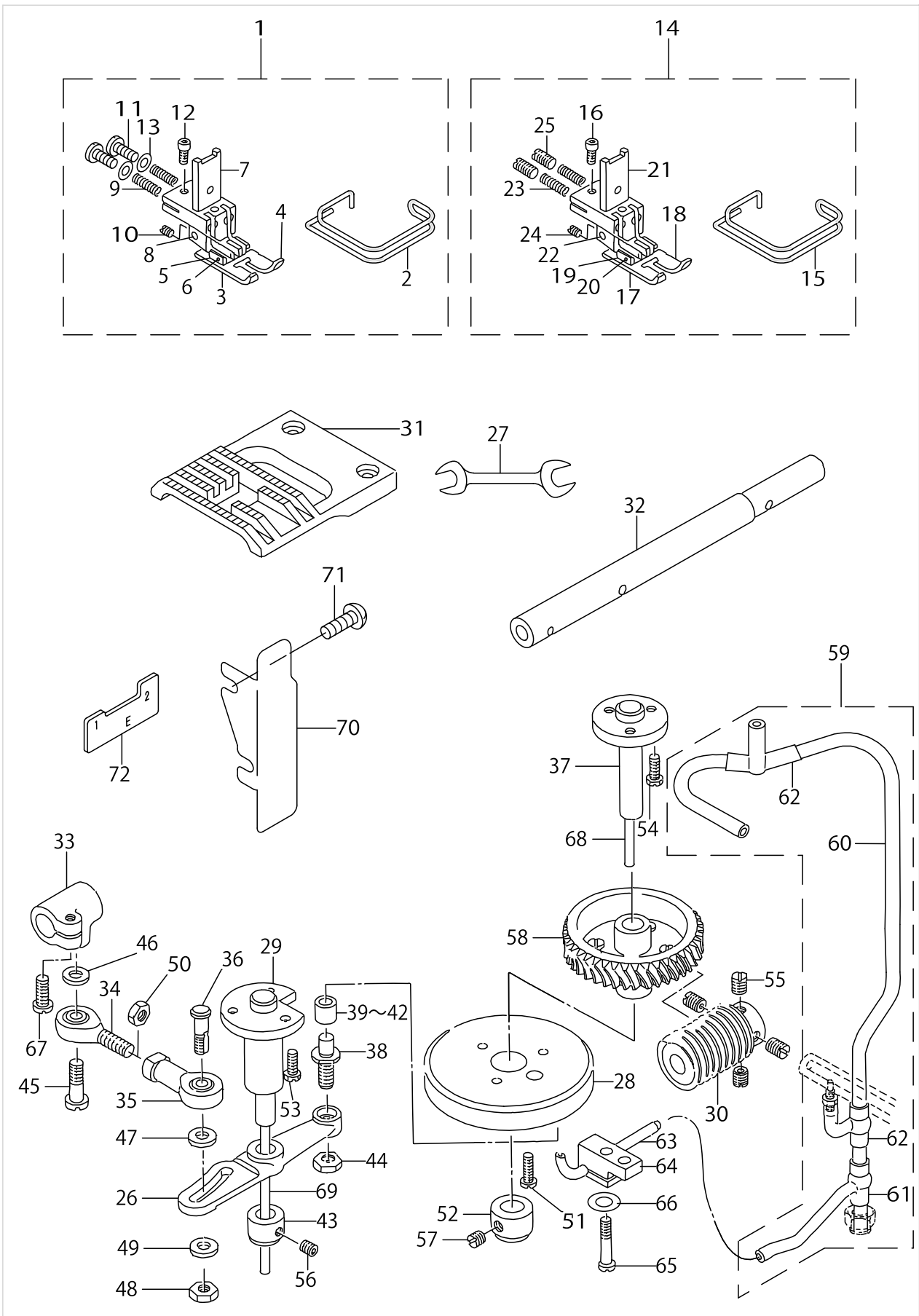
EXCLUSIVE PARTS FOR LZ-2285N (2)



EXCLUSIVE PARTS FOR LZ-2285N (2)

No.	Parts No.	Parts name	Remarks	Level	Cons	Qty
1	22591564	PRESSER FOOT ASM.	NO NECESSARY PART ACCORDING TO DESTINATIONS			1
2	22591101	FINGER GUARD		*		1
3	10062701	PRESSER FOOT, LEFT		*		1
4	10062800	PRESSER FOOT, RIGHT		*		1
5	22591408	PRESSER FOOT ASM.		*		2
6	10063303	PIN		*		2
7	10063402	PRESSER FOOT, UPPER		*		1
8	10063501	PIN		*		1
9	10063600	SPRING		*		2
10	SS8080410TP	SCREW 1/8-44 L=3.5		*		1
11	SS7111110TP	SCREW 11/64-40 L=10.5		*		2
12	SS6580752TP	SCREW 1/8-40 L=7		*		1
13	WP0220300SC	WASHER		*		2
14	22591663	PRESSER FOOT ASM.	SPECIAL ORDER PARTS			1
15	22591101	FINGER GUARD		*		1
16	SS6580752TP	SCREW 1/8-40 L=7		*		1
17	10062701	PRESSER FOOT, LEFT		*		1
18	10062800	PRESSER FOOT, RIGHT		*		1
19	10063204	PRESSER FOOT ARM		*		2
20	10063303	PIN		*		2
21	10063402	PRESSER FOOT, UPPER		*		1
22	10063501	PIN		*		1
23	10063600	SPRING		*		2
24	SS8080410TP	SCREW 1/8-44 L=3.5		*		1
25	SS8111010TP	SCREW 11/64-40 L=9.5		*		2
26	22590301	LEVER				1
27	B9113012000	WRENCH (9X10)			1	
28	22590400	FEED CAM			1	
29	22590509	SHAFT			1	
30	10063808	WORM			1	
31	10064004	FEED DOG			1	
32	10064103	FEED ROCKER SHAFT			1	
33	10064202	FEED ROCKER SHAFT CRANK			1	
34	10064301	BALL JOINT A			1	
35	10064400	BALL JOINT B			1	
36	10064608	FEED REGULATOR			1	
37	10064905	FEED CAM SHAFT			1	
38	10065001	FEED CAM ROLLER SHAFT			1	
39	B250228000A	FEED CAM ROLLER	SELECTIVE PARTS		1	
40	B250228000B	FEED CAM ROLLER	SELECTIVE PARTS		1	
41	B250228000C	FEED CAM ROLLER	SELECTIVE PARTS		1	
42	B250228000D	CLOTH FEED CAM ROLLER	SELECTIVE PARTS		1	
43	CS1031210SH	THRUST COLLAR ASM. D=10.32 W=12			1	
44	NS6150430SP	NUT 15/64-28			1	
45	SD0601051SP	HIGE SCREW D=6 H=13			1	
46	WP0612066SP	WASHER 6.1X11X2			1	

EXCLUSIVE PARTS FOR LZ-2285N (2)

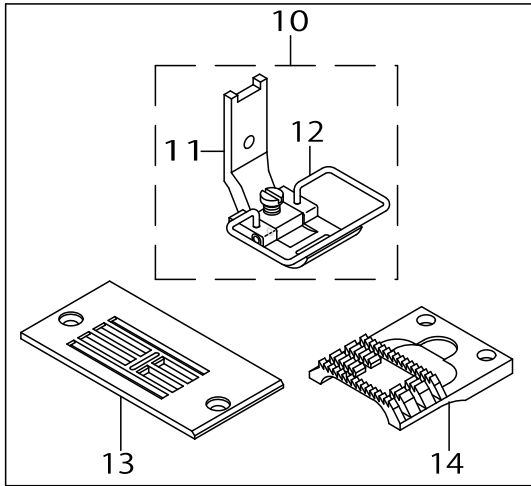


EXCLUSIVE PARTS FOR LZ-2285N (2)

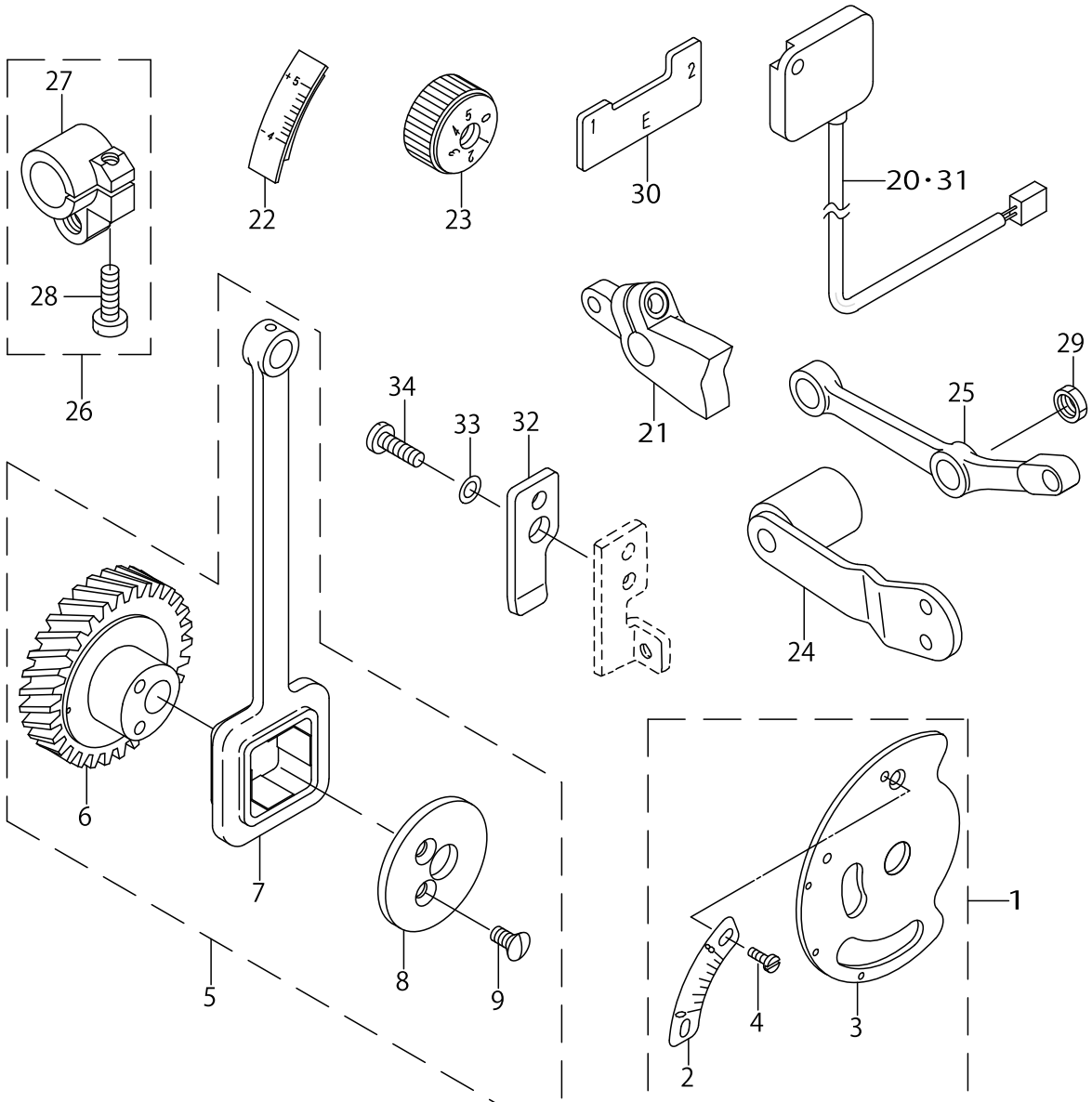
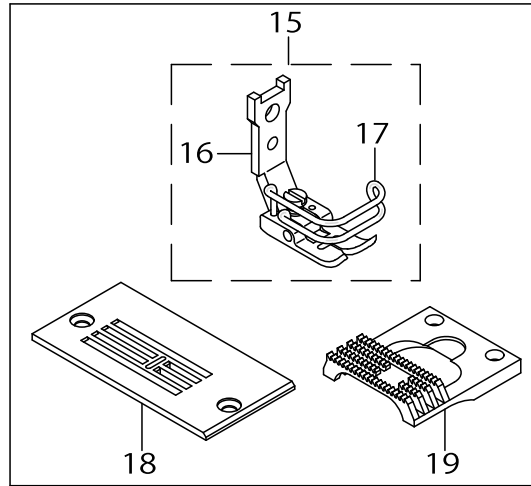
No.	Parts No.	Parts name	Remarks	Level	Cons	Qty
47	WP0612066SP	WASHER 6.1X11X2				1
48	NS6150430SP	NUT 15/64-28				1
49	WP0621016SH	WASHER				1
50	NM6060001SE	NUT M6				1
51	SS7111410SP	SCREW 11/64-40 L=14				3
52	CS1031210SH	THRUST COLLAR ASM. D=10.32 W=12				1
53	SS9661120CP	SCREW 1/4-40 L=10.5				3
54	SS9661120CP	SCREW 1/4-40 L=10.5				3
55	SS8660610TP	SCREW 1/4-40 L=6				4
56	SS8660610TP	SCREW 1/4-40 L=6				2
57	SS8660610TP	SCREW 1/4-40 L=6				2
58	10043461	WORM WHEEL ASM.				1
59	22590855	OIL SUPPLY PIPE ASM.				1
60	22590806	OIL SUPPLY PIPE		*		1
61	10035509	RUBBER JOINT		*		1
62	B3527552000	RUBBER JOINT		*		2
63	10065209	CAM OIL PIPE				1
64	B3554481000	HOLDER				1
65	SS4110915SP	SCREW 11/64-40 L=9				1
66	WP0501016SD	WASHER 5X10.5X1				1
67	SS6121210SP	SCREW 3/16-28 L=12				1
68	CQ500600000	OIL WICK				0.1
69	CQ303000000	OIL WICK				0.1
70	22593107	BELT COVER				1
71	SS4120615SP	SCREW 3/16-28 L=6				2
72	22536502	TIMING GAUGE E				1

EXCLUSIVE PARTS FOR LZ-2281N(-7)

FOR LZ-2281NB
LZ-2281NB用



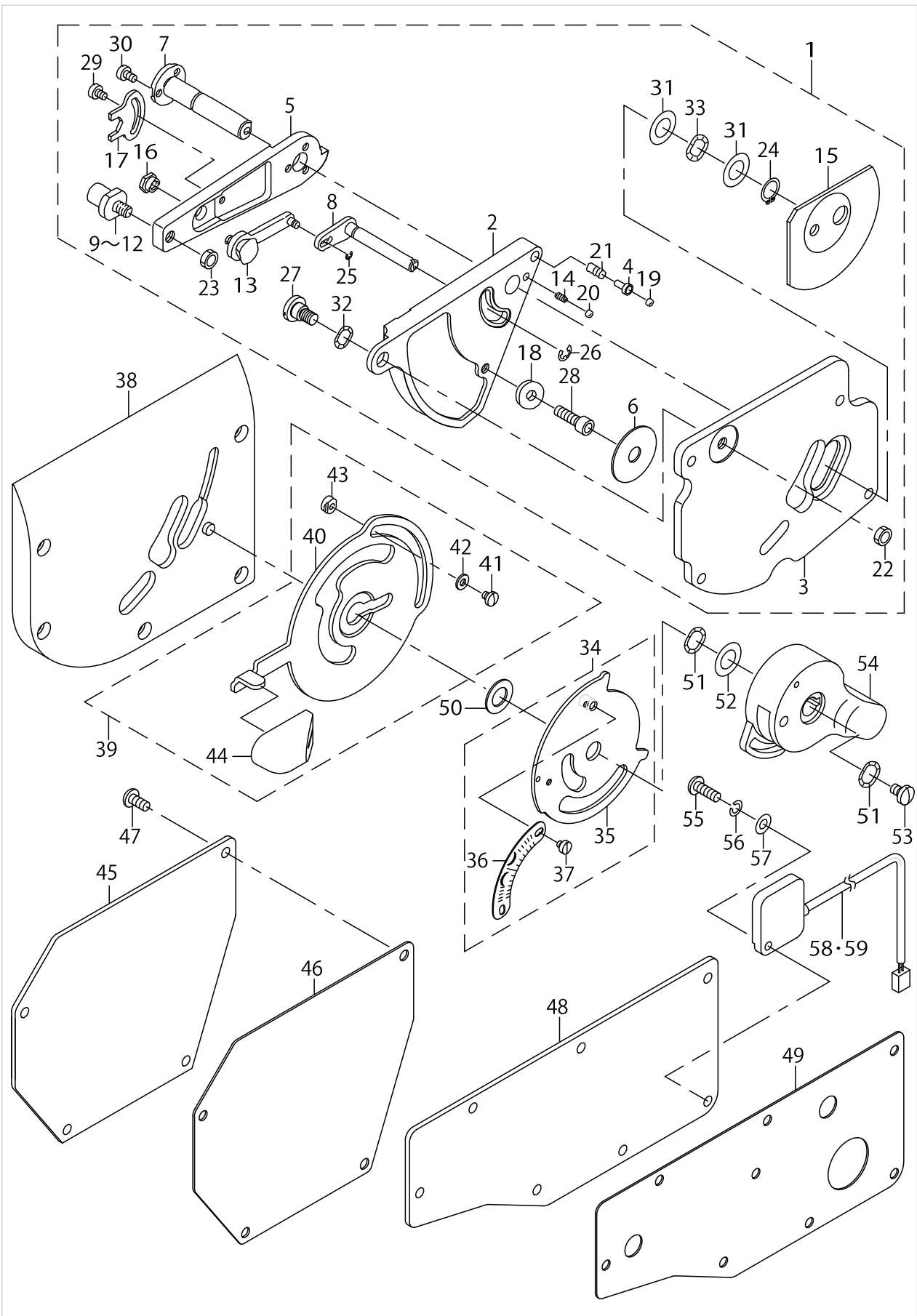
FOR LZ-2281NA
LZ-2281NA用



EXCLUSIVE PARTS FOR LZ-2281N(-7)

No.	Parts No.	Parts name	Remarks	Level	Cons	Qty
1	22540769	SCALE PLATE ASM.				1
2	22540710	SCALE PLATE		*		1
3	26306951	SCALE MOUNTING BASE COMPL.		*		1
4	SS6080320SP	SCREW 1/8-44 L= 2.5		*		2
5	22542559	NEEDLE DRIVING CAM.				1
6	22542500	NEEDLE VIBRATING CAM		*		1
7	22510101	NEEDLE VIBRATING ROD		*		1
8	22510200	CAM COVER		*		1
9	SS2110920TP	SCREW 11/64-40 L=8.5		*		2
10	22580369	PRESSER FOOT ASM.	FOR LZ-2281NB			1
11	10045060	PRESSER FOOT ASM. A		*		1
12	22580302	SAFETY COVER		*		1
13	22582407	NEEDLE PLATE	FOR LZ-2281NB			1
14	22540009	FEED DOG	FOR LZ-2281NB			1
15	22548671	PRESSER ASM.	FOR LZ-2281NA			1
16	22546816	PRESSER ,UPPER		*		1
17	10021202	FINGER COVER		*		1
18	22548010	NEEDLE PLATE	FOR LZ-2281NA			1
19	22548119	FEED DOG	FOR LZ-2281NA			1
20	M6093350AAL	RESISTANCE PACK AL ASM.	FOR LZ-2281N-7 NO NECESSARY PART ACCORDING TO DESTINATIONS			1
21	22541106	FEED DRIVING ADJUSTER				1
22	22540207	SCALE PLATE				1
23	11071909	FEED DIAL				1
24	22540454	BALANCE WEIGHT COMPL				1
25	40010276	HORIZONTAL FEED JUNCTION ROD				1
26	B16085550A0	FEED ROCKER SHAFT CRANK ASM.				1
27	B1608555000	FEED ROCKER SHAFT CRANK ARM		*		1
28	SS6121610TP	SCREW 3/16-28 L=15.5		*		1
29	NS6680320SP	NUT 9/32-28				1
30	22536502	TIMING GAUGE E				1
31	M6093350AAS	RESISTANCE PACK AS ASM.	FOR LZ-2281N-7 NO NECESSARY PART ACCORDING TO DESTINATIONS			1
32	22540108	PRESSING PLATE				1
33	WP0480856SP	WASHER 4.8X8.4X0.8				1
34	SS7111410TP	SCREW 11/64-40 L=14				1

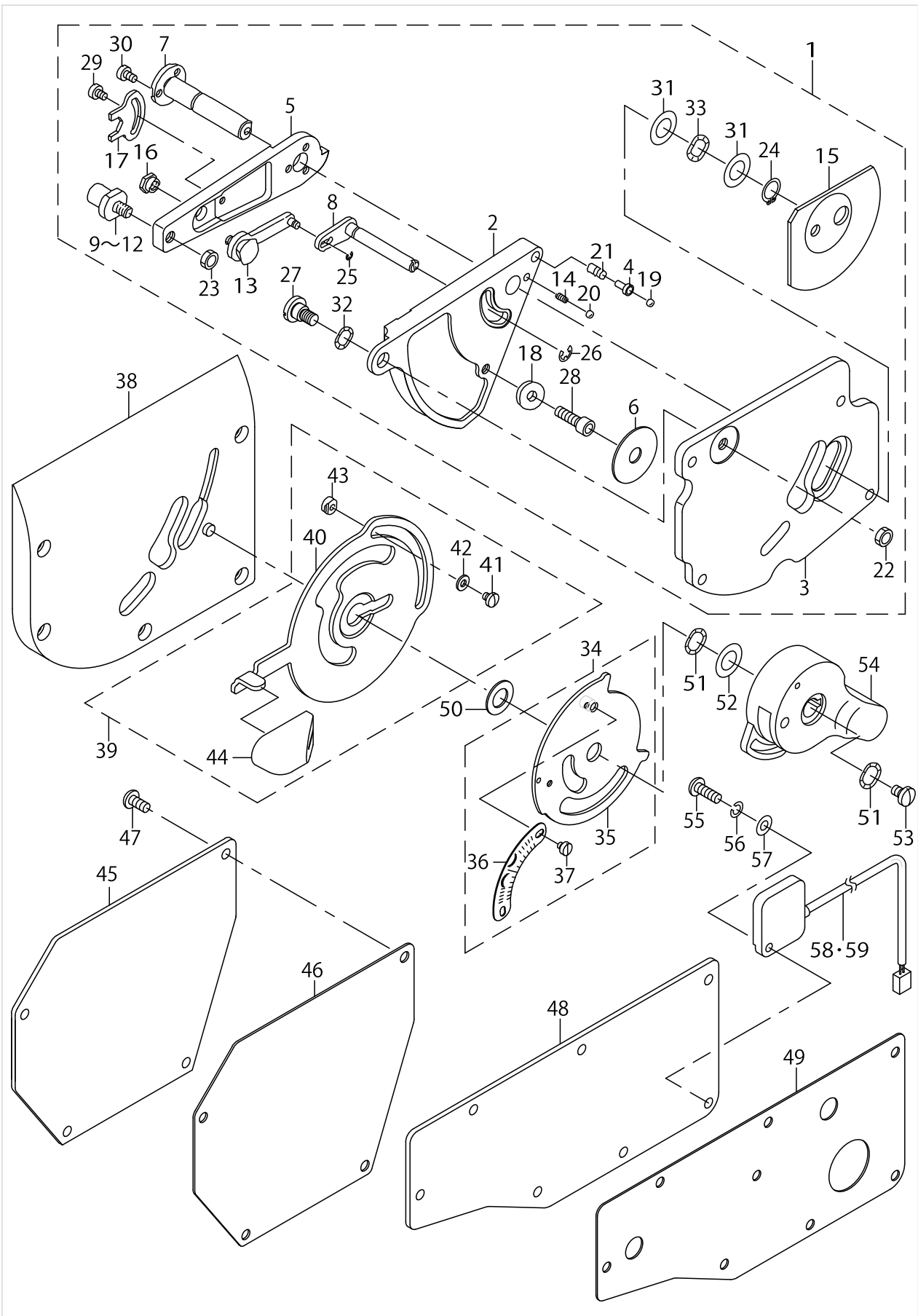
EXCLUSIVE PARTS FOR LZ-2288N (1)



EXCLUSIVE PARTS FOR LZ-2288N (1)

No.	Parts No.	Parts name	Remarks	Level	Cons	Qty
1	22572853	POSITION CHANGE BASE ASM.				1
2	26319103	NEEDLE POSITION CHANGE BASE		*		1
3	22572903	FITTING PLATE		*		1
4	22573307	CHANGING STOPPER		*		1
5	26312306	ADJUSTING ARM		*		1
6	22573505	PACKING		*		1
7	26307306	SHAFT		*		1
8	10015360	LEVER ASM.		*		1
9	10016210	SHAFT	SELECTIVE PARTS	*		1
10	10016319	SHAFT	SELECTIVE PARTS	*		1
11	10016418	SHAFT	SELECTIVE PARTS	*		1
12	10016517	SHAFT	SELECTIVE PARTS	*		1
13	10017168	STOPPER ASM.		*		1
14	10017408	SPRING		*		1
15	10017606	OIL SHIELD		*		1
16	10018000	NUT		*		1
17	10018109	NUT STOPPER		*		1
18	B1430761000	ROLLER		*		1
19	B2608761000	HAND STOP CRANK SHAFT BALL		*		1
20	B2608761000	HAND STOP CRANK SHAFT BALL		*		1
21	MAT02106000	SPRING		*		1
22	NS6150310SP	NUT 15/64-28		*		1
23	NS6150310SP	NUT 15/64-28		*		1
24	RC0100001KP	SNAP RING M10		*		1
25	RE0200000K0	E-RING		*		1
26	RE0400000K0	E-RING 4		*		1
27	SD0800402TP	HINGE SCREW D= 8 H= 4		*		1
28	SM6051602TP	SCREW M5X0.8 L=16		*		1
29	SS6090520SP	SCREW 9/64-40 L= 5.0		*		1
30	SS6090620SP	SCREW 9/64-40 L=6		*		3
31	WP1020616SD	WASHER		*		2
32	WZ0850302K0	WAVED WASHER 8.5X12.5X0.3		*		3
33	WZ1052010KP	WAVED WASHER		*		1
34	22573182	SCALE MOUNTING ASM.				1
35	22573174	SCALE FITTING PLATE		*		1
36	22573018	SCALE		*		1
37	SS6080320SP	SCREW 1/8-44 L= 2.5		*		2
38	22568356	SIDE COVER ASM.				1
39	22573257	CHANGING LEVER ASM.				1
40	22573208	NEEDLE POSITION CHANGE LEVER		*		1
41	SS7090410SP	SCREW 9/64-40 L= 3.5		*		2
42	WP0371016SD	WASHER 3.7X8X1		*		2
43	10015907	LEVER STOPPER		*		2
44	22512602	KNOB		*		1
45	22568109	CAM COVER				1
46	22568208	CAM COVER PACKING				1
47	SS4121015SP	SCREW 3/16-28 L=10				4

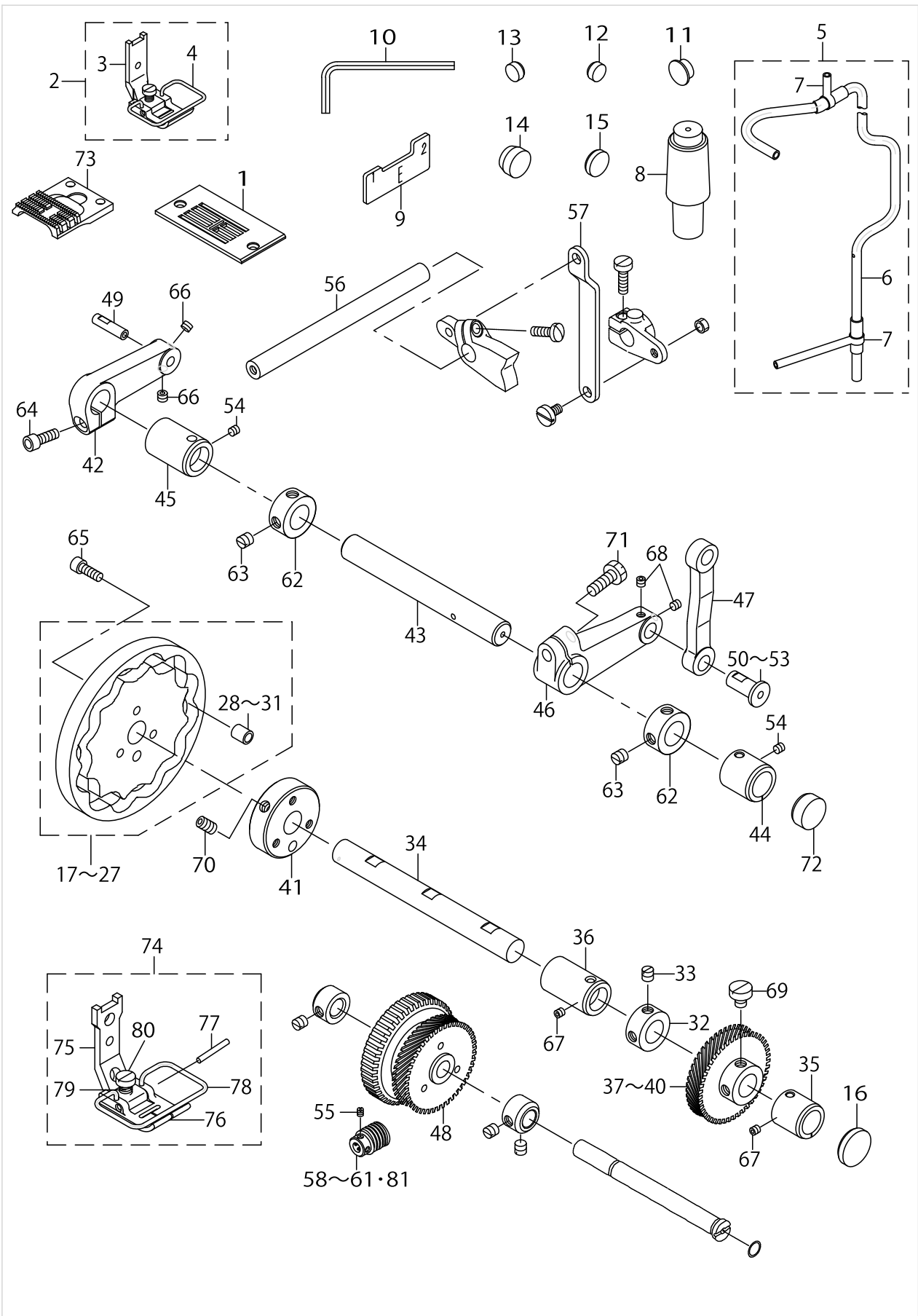
EXCLUSIVE PARTS FOR LZ-2288N (1)



EXCLUSIVE PARTS FOR LZ-2288N (1)

No.	Parts No.	Parts name	Remarks	Level	Cons	Qty
48	22567903	WINDOW PLATE				1
49	22568000	WINDOW PLATE PACKING				1
50	WP1021016SD	WASHER				1
51	WZ1052010KP	WAVED WASHER				2
52	WP1020616SD	WASHER				1
53	SS7620750SP	SCREW 3/16-32 L= 6.5				1
54	22512107	KNOB				1
55	SS4121415SP	SCREW 3/16-28 L=14	FOR LZ-2288N-7			1
56	WS0510002KP	SPRING WASHER 5.1X9.2X1.3	FOR LZ-2288N-7			1
57	WP0501016SD	WASHER 5X10.5X1	FOR LZ-2288N-7			1
58	M6094350AAL	RESISTANCE PACK AL ASM.	FOR LZ-2288N-7 NO NECESSARY PART ACCORDING TO DESTINATIONS			1
59	M6094350AAF	RESISTANCE PACK AF ASM.	FOR LZ-2288N-7 NO NECESSARY PART ACCORDING TO DESTINATIONS			1

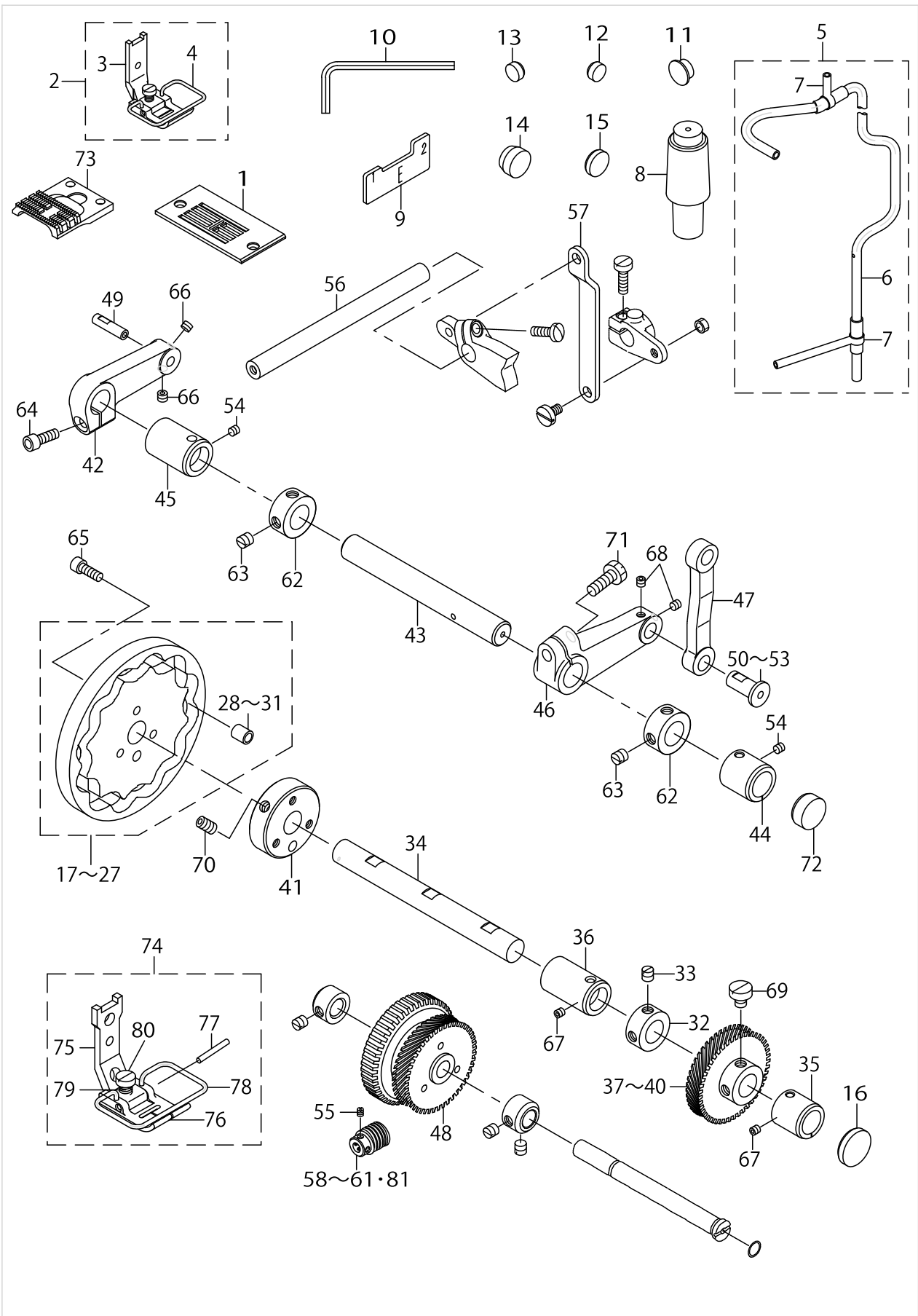
EXCLUSIVE PARTS FOR LZ-2288N (2)



EXCLUSIVE PARTS FOR LZ-2288N (2)

No.	Parts No.	Parts name	Remarks	Level	Cons	Qty
1	22582407	NEEDLE PLATE				1
2	22580864	PRESSER ASM.				1
3	10055051	PRESSER FOOT ASM.		*		1
4	22580302	SAFETY COVER		*		1
5	22574156	ARM SHAFT OIL PIPE ASM.				1
6	22574107	ARM SHAFT OIL PIPE		*		1
7	B3527552000	RUBBER JOINT		*		2
8	22574255	HEAD SUPPORT ROD ASM.				1
9	22536502	TIMING GAUGE E				1
10	B9140372000	HEXAGONAL WRENCH, SMALL				1
11	TA1050504R0	RUBBER PLUG				1
12	TA0980502R0	RUBBER PLUG				3
13	TA0980502R0	RUBBER PLUG				2
14	TA1550902R0	PLUG				2
15	TA1750502R0	RUBBER PLUG D=17.5 L=5				1
16	TA2200502R0	RUBBER PLUG				1
17	22568851	NEEDLE DRIVING CAM A ASM.	FOR LZ-2288NA			1
18	22568950	NEEDLE DRIVING CAM B ASM.	FOR LZ-2288NB			1
19	22569057	NEEDLE VIBRATING CAM ASM. C	FOR LZ-2288NC			1
20	22569156	NEEDLE DRIVING CAM D ASM.	FOR LZ-2288ND			1
21	22569255	NEEDLE DRIVING CAM E ASM.	FOR LZ-2288NE			1
22	22569354	NEEDLE VIBRATING CAM ASM. F	FOR LZ-2288NF			1
23	22569453	NEEDLE VIBRATING CAM ASM. G	FOR LZ-2288NG			1
24	22569552	NEEDLE VIBRATING CAM ASM. H	FOR LZ-2288NH			1
25	22569651	NEEDLE VIBRATING CAM ASM. J	FOR LZ-2288NJ			1
26	22569750	NEEDLE VIBRATING CAM ASM. K	FOR LZ-2288NK			1
27	22569859	NEEDLE VIBRATING CAM ASM. L	FOR LZ-2288NL			1
28	22571103	CAM ROLLER, A	SELECTIVE PARTS	*		1
29	22571202	CAM ROLLER, B	SELECTIVE PARTS	*		1
30	22571301	CAM ROLLER, C	SELECTIVE PARTS	*		1
31	22571400	CAM ROLLER, D	SELECTIVE PARTS	*		1
32	CS1401113TH	THRUST COLLAR D=14 W=10.5				1
33	SS6660710TP	SCREW 1/4-40 L=7				2
34	22570006	CAM SHAFT				1
35	22570105	BUSHING, A				1
36	22570204	BUSHING, B				1
37	22570303	CAM SHAFT GEAR A	SELECTIVE PARTS			1
38	22570402	CAM SHAFT GEAR B	SELECTIVE PARTS			1
39	22570501	CAM SHAFT GEAR B	SELECTIVE PARTS			1
40	22570600	CAM SHAFT GEAR D	SELECTIVE PARTS			1
41	22570758	CAM FOLDER ASM.				1
42	22570907	CAM ARM				1
43	22571509	DRIVING SHAFT				1
44	22571608	DRIVING SHAFT METAL A				1
45	22571707	BUSHING, B				1
46	22571806	DRIVING ARM				1
47	22571905	DRIVING ROD				1

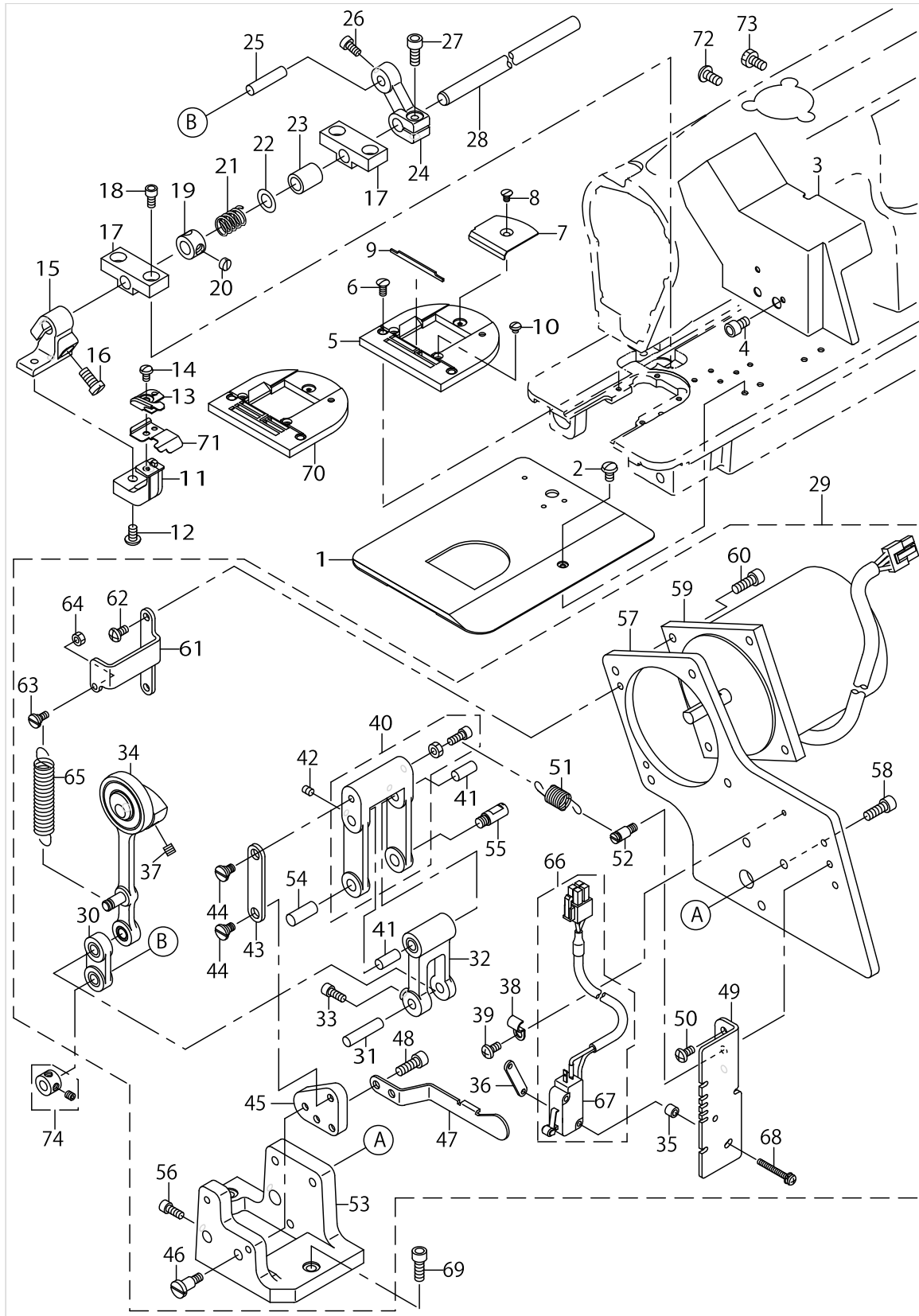
EXCLUSIVE PARTS FOR LZ-2288N (2)



EXCLUSIVE PARTS FOR LZ-2288N (2)

No.	Parts No.	Parts name	Remarks	Level	Cons	Qty
48	22572457	WORM WHEEL COMPL.				1
49	22571004	CAM ROLLER SHAFT				1
50	22572002	DRIVING PIN, A	SELECTIVE PARTS			1
51	22572101	DRIVING PIN, B	SELECTIVE PARTS			1
52	22572200	DRIVING PIN, C	SELECTIVE PARTS			1
53	22572309	DRIVING PIN, D	SELECTIVE PARTS			1
54	SS8110422TP	SCREW 11/64-40 L=4				2
55	SS8660610TP	SCREW 1/4-40 L=6				4
56	26312405	FEED LEVER SHAFT				1
57	22573901	FEED CHANGING LINK, A				1
58	10053007	WORM ASM. A	SELECTIVE PARTS			1
59	10053106	WORM B	SELECTIVE PARTS			1
60	10053205	WORM	SELECTIVE PARTS			1
61	10053304	WORM	SELECTIVE PARTS			1
62	CS1401113TH	THRUST COLLAR D=14 W=10.5				2
63	SS8660610TP	SCREW 1/4-40 L=6				4
64	SM6051402TP	SCREW M5X0.8 L=14				1
65	SM6051402TP	SCREW M5X0.8 L=14				3
66	SM8050612TP	SCREW M5X6				2
67	SS8110422TP	SCREW 11/64-40 L=4				2
68	SS8110422TP	SCREW 11/64-40 L=4				2
69	SS6660710TP	SCREW 1/4-40 L=7				2
70	SS8661012TP	SCREW				2
71	SS9151740CP	SCREW 15/64-28 L=17				1
72	TA2201002R0	PLUG				1
73	22581508	FEED DOG				1
74	22584965	PRESSER FOOT ASM.	VARIOUS NOS. FOR DESTINATIONS			1
75	22545206	PRESSER FOOT (UPPER)		*		1
76	22584908	PRESSER FOOT (LOWER)		*		1
77	10021103	PRESSER PIN		*		1
78	22545404	SAFETY COVER		*		1
79	B1525582000	SPRING		*		1
80	SS6090810SP	SCREW 9/64-40 L= 7.5		*		1
81	10053908	WORM E	SELECTIVE PARTS			1

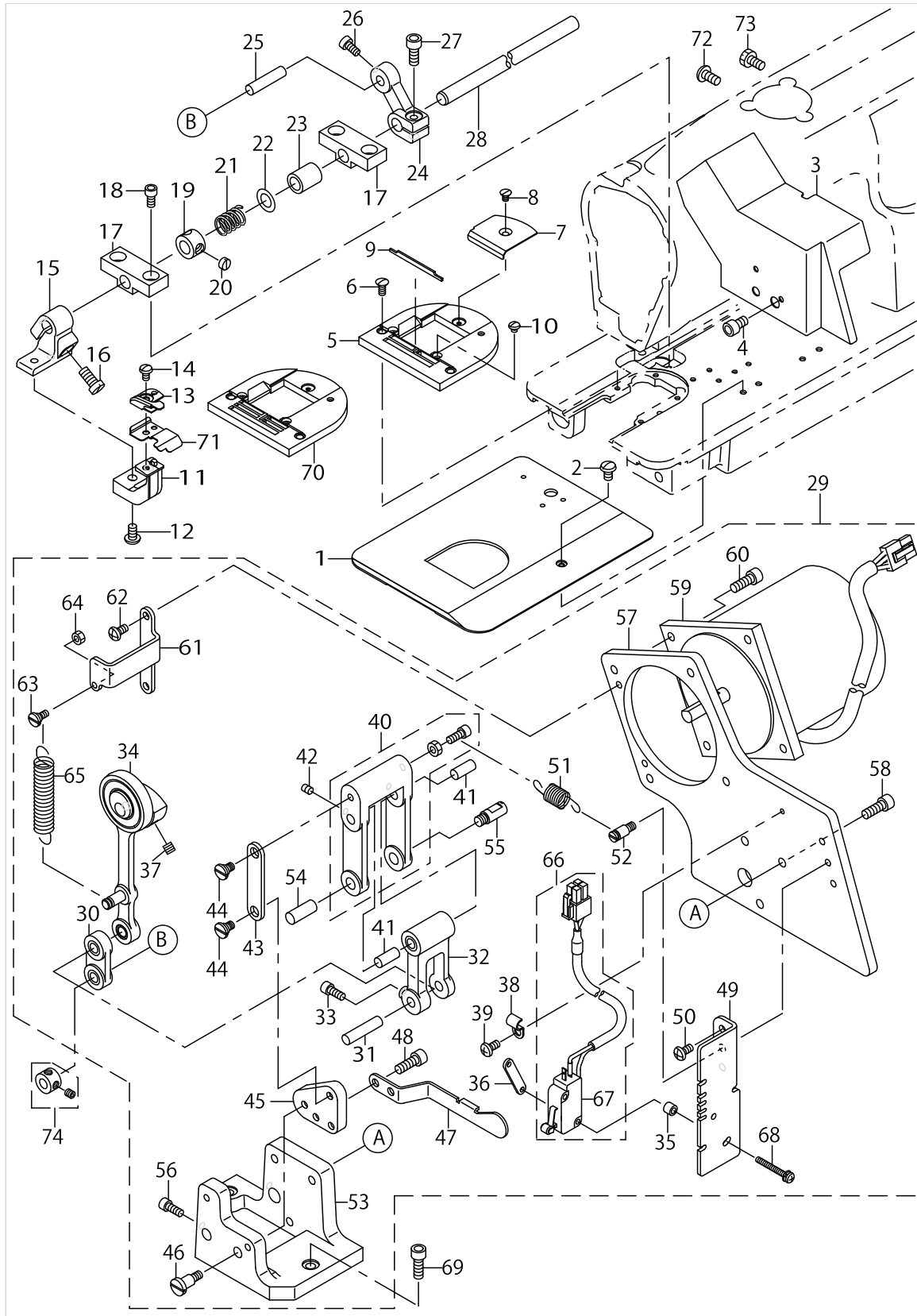
EXCLUSIVE PARTS FOR LZ-2282N(-7) (1)



EXCLUSIVE PARTS FOR LZ-2282N(-7) (1)

No.	Parts No.	Parts name	Remarks	Level	Cons	Qty
1	23509003	BED PLATE				1
2	SS5110740TP	SCREW 11/64-40 L= 6.5				1
3	23508906	KNIFE DRIVING DEVICE COVER				1
4	SM6050802TN	BOLT				2
5	23505829	THROAT PLATE	FOR EXPORT			1
6	SS2090840SP	SCREW				2
7	23513401	THROAT PLATE COVER				1
8	SS1080510SP	SCREW 1/8-44 L=5				1
9	23506108	THROAT PLATE KNIFE				1
10	SS4080320TP	SCREW 1/8-44 L=3.4				2
11	23506314	KNIFE BASE				1
12	SS4110815SP	SCREW 11/64-40 L=8				2
13	23506009	CLOTH CUTTING KNIFE				1
14	SS5090610SP	SCREW 9/64-40 L=6				1
15	23506405	KNIFE BASE ARM				1
16	SS6122030SP	SCREW 3/16-28 L=20				1
17	23506603	KNIFE DRIVING SHAFT BASE				2
18	SM6040802TP	SCREW M4X0.7 L=8				4
19	CS0800911TH	THRUST COLLAR				1
20	SS8660340SP	SCREW 1/4-40 L= 2.5				1
21	23506702	KNIFE PRESS SPRING				1
22	WP0820526SD	WASHER 8.2X14X0.5				1
23	16965105	METAL				1
24	23506801	KNIFE DRIVING ARM				1
25	10565406	GEAR SHAFT				1
26	SM6040802TP	SCREW M4X0.7 L=8				1
27	SM6051202TP	SCREW M5X0.8 L=12				1
28	23506504	KNIFE DRIVING SHAFT				1
29	23508252	KNIFE DRIVING DEVICE ASM.				1
30	23507056	CONNECTING LINK A ASM.		*		1
31	10565406	GEAR SHAFT		*		1
32	23507155	CONNECTING LINK B ASM.		*		1
33	SM6041002TP	SCREW M4 L=10		*		1
34	23507262	KNIFE DRIVING ROT ASM.		*		1
35	B4011210000	SPACER		*		2
36	11102308	MICRO SWITCH PLATE		*		1
37	SM8050812TP	SCREW M5X8		*		2
38	B3538112000	OIL RETURN TUBE HOLDER		*		1
39	SM4030411SB	SCREW M3X0.5 L=4		*		1
40	23507551	KNIFE ADJUSTING LINK ASM.		*		1
41	11387503	LEVER ARM PIN		*		2
42	SM8040502TP	SCREW M4X0.7 L=5		*		2
43	23507700	ADJUSTING CONNECTING PLATE		*		1
44	SD0640231SP	HINGE SCREW D= 6.35 H= 2.3		*		2
45	23507809	LEVER BASE		*		1
46	SD0640851SP	STEP-SCREW		*		1
47	23507908	KNIFE ADJUSTING LEVER		*		1

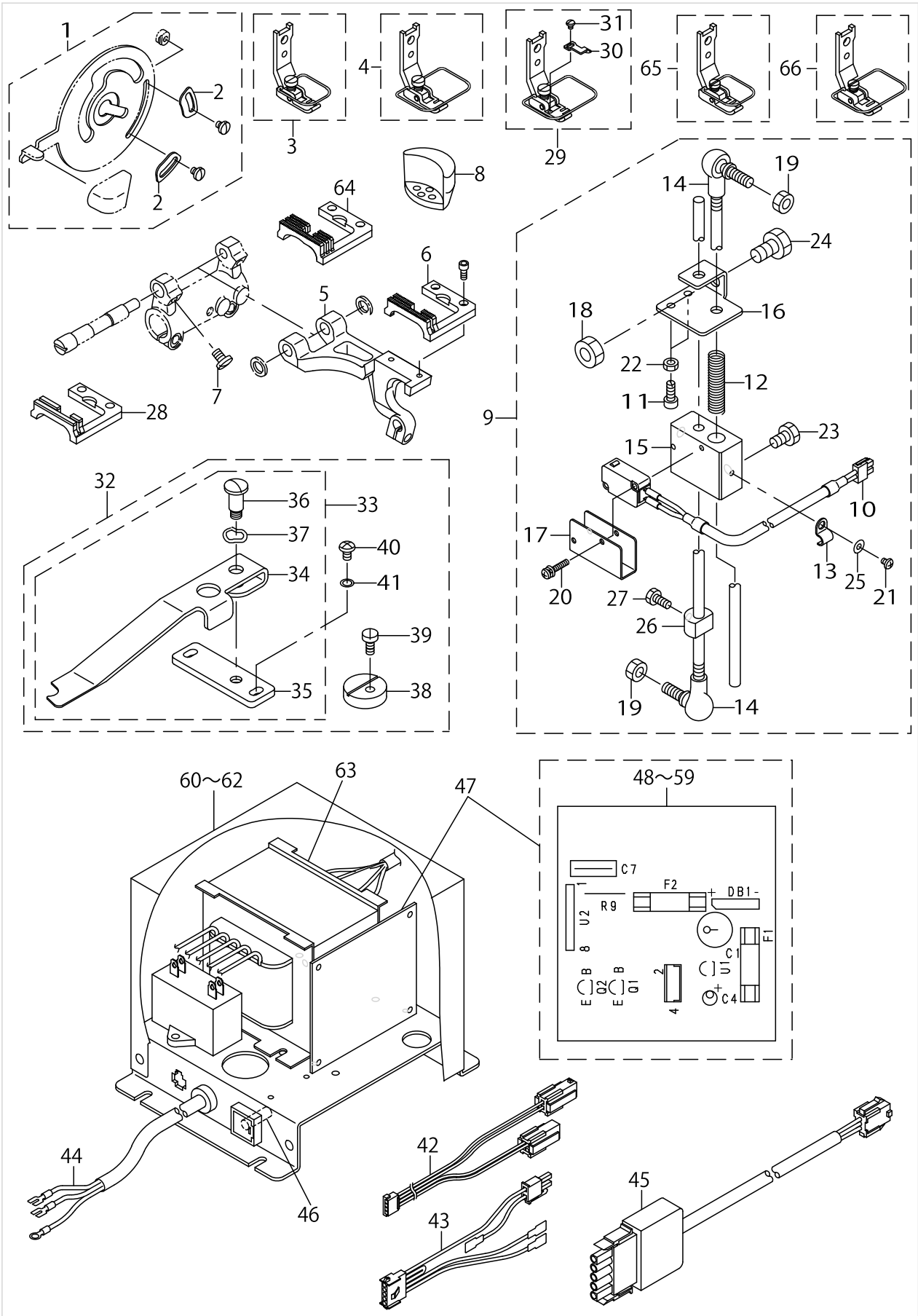
EXCLUSIVE PARTS FOR LZ-2282N(-7) (1)



EXCLUSIVE PARTS FOR LZ-2282N(-7) (1)

No.	Parts No.	Parts name	Remarks	Level	Cons	Qty
48	SS4110815SP	SCREW 11/64-40 L=8		*		2
49	23508005	LEVER SCALE PLATE		*		1
50	SM4040855SP	SCREW		*		2
51	23508104	ADJUSTING LINK SPRING		*		1
52	40023289	SPRING SUSPENSION		*		1
53	23508203	KNIFE ADJUSTING BASE		*		1
54	11384302	PIN, B		*		1
55	11008802	ADJUSTING LINK FULCRUM SHAFT A		*		1
56	SM6041002TP	SCREW M4 L=10		*		2
57	23508302	MOTOR SUPPORT PLATE		*		1
58	SM6051402TP	SCREW M5X0.8 L=14		*		3
59	23508450	AC MOTOR ASM.		*		1
60	SM6051402TP	SCREW M5X0.8 L=14		*		4
61	23508500	STOP SPRING RACK		*		1
62	SM4040855SP	SCREW		*		2
63	SD0500251SP	HINGE SCREW D= 5 H= 2.5		*		1
64	NS6090310SP	NUT 9/64-40		*		1
65	23508609	STOP SPRING		*		1
66	23508757	MOTOR SWITCH ASM.		*		1
67	HA00044000A	SWITCH		*		1
68	SL4032591SC	SCREW M3X25		*		2
69	SM6051402TP	SCREW M5X0.8 L=14				1
70	23512817	THROAT PLATE	FOR USE IN JAPAN			1
71	23513302	CLOTH WASTE COVER				1
72	SS4121015SP	SCREW 3/16-28 L=10				1
73	SS9120910TP	SCREW 3/16-28 L=9				1
74	B25792290A0	THRUST BEARING				1

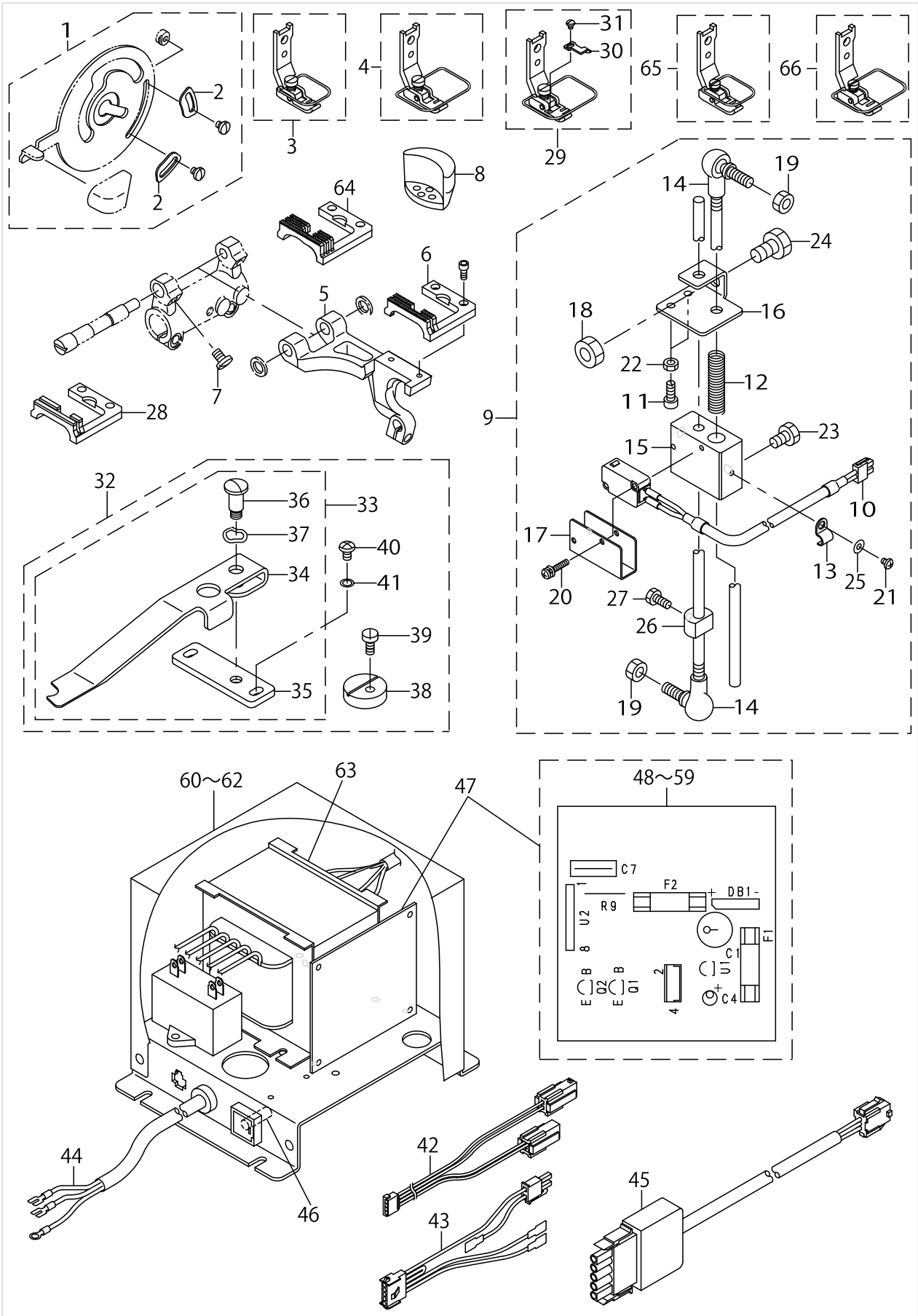
EXCLUSIVE PARTS FOR LZ-2282N(-7) (2)



EXCLUSIVE PARTS FOR LZ-2282N(-7) (2)

No.	Parts No.	Parts name	Remarks	Level	Cons	Qty
1	23505654	POSITION CHANGE LEVER ASM.				1
2	23505605	NEEDLE POSITION STOPPER		*		2
3	23509169	PRESSER ASM.	OPTIONAL PARTS (ACCESSORIES P- ARTS FOR JE)			1
4	23509466	PRESSER ASM.	FOR EXPORT			1
5	40057280	FEED BASE ASM				1
6	23505910	FEED DOG	OPTIONAL PARTS (ACCESSORIES P- ARTS FOR JE)			1
7	SS7120710SP	SCREW 3/16-28 L=7				2
8	23509706	HEAD SUPPORT RUBBER				2
9	23510050	STARTING SWITCH ASM.				1
10	23510159	SWITCH ASM.		*		1
11	B3208280000	BOBBIN WINDER ADJUSTING SCREW		*		2
12	23510308	SWITCH SPRING		*		1
13	B3538112000	OIL RETURN TUBE HOLDER		*		1
14	D7117555BA0	JOINT BAR A ASM.		*		2
15	23510407	SWITCH BASE		*		1
16	23510506	SWITCH PLATE		*		1
17	MAO11602N00	MICRO-SWITCH COVER		*		1
18	NM6080721SE	NUT M8		*		1
19	NM6060001SE	NUT M6		*		2
20	SL4031691SC	SCREW M3 L=16		*		2
21	SM4030411SB	SCREW M3X0.5 L=4		*		1
22	NS6110360SP	NUT		*		2
23	SM9061003SC	SCREW M6X10		*		1
24	SM9081423SE	SCREW M8 L=14		*		1
25	WP0330501SB	WASHER M3		*		1
26	26308809	STOPPER		*		1
27	SS9111013SP	SCREW 11/64-40 L=9.5		*		1
28	23512015	FEED DOG	FOR JE			1
29	23512569	PRESSER ASM.	FOR JE			1
30	23512601	LACE GUIDE		*		1
31	SS4060310SP	SCREW 3/32-56 L=2.5		*		1
32	23512163	SEPARATION PLATE ASM.	OPTIONAL PARTS (ACCESSORIES P- ARTS FOR JE)			1
33	23512155	SEPARATION PLATE COMPL.		*		1
34	23512106	SEPARATION PLAT		*		1
35	23512205	SEPARATION PLAT BASE		*		1
36	SD0791331SP	HINGE SCREW D= 7.94 H=13.3		*		1
37	WZ0850302K0	WAVED WASHER 8.5X12.5X0.3		*		1
38	23512304	SEPARATION STOPPER		*		1
39	SS9111010SP	SCREW 11/64-40 L=9.5		*		1
40	SS4110715SP	SCREW 11/64-40 L=7		*		1
41	WP0510516SD	WASHER 5.1X7.5X0.5		*		1
42	M8504429AA0A	CORD A ASM.				1
43	M8502429AA0	CORD A ASM.				1
44	M8503429AA0	CORD A ASM.				1

EXCLUSIVE PARTS FOR LZ-2282N(-7) (2)

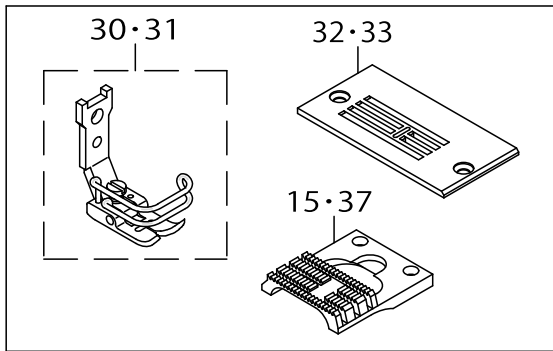


EXCLUSIVE PARTS FOR LZ-2282N(-7) (2)

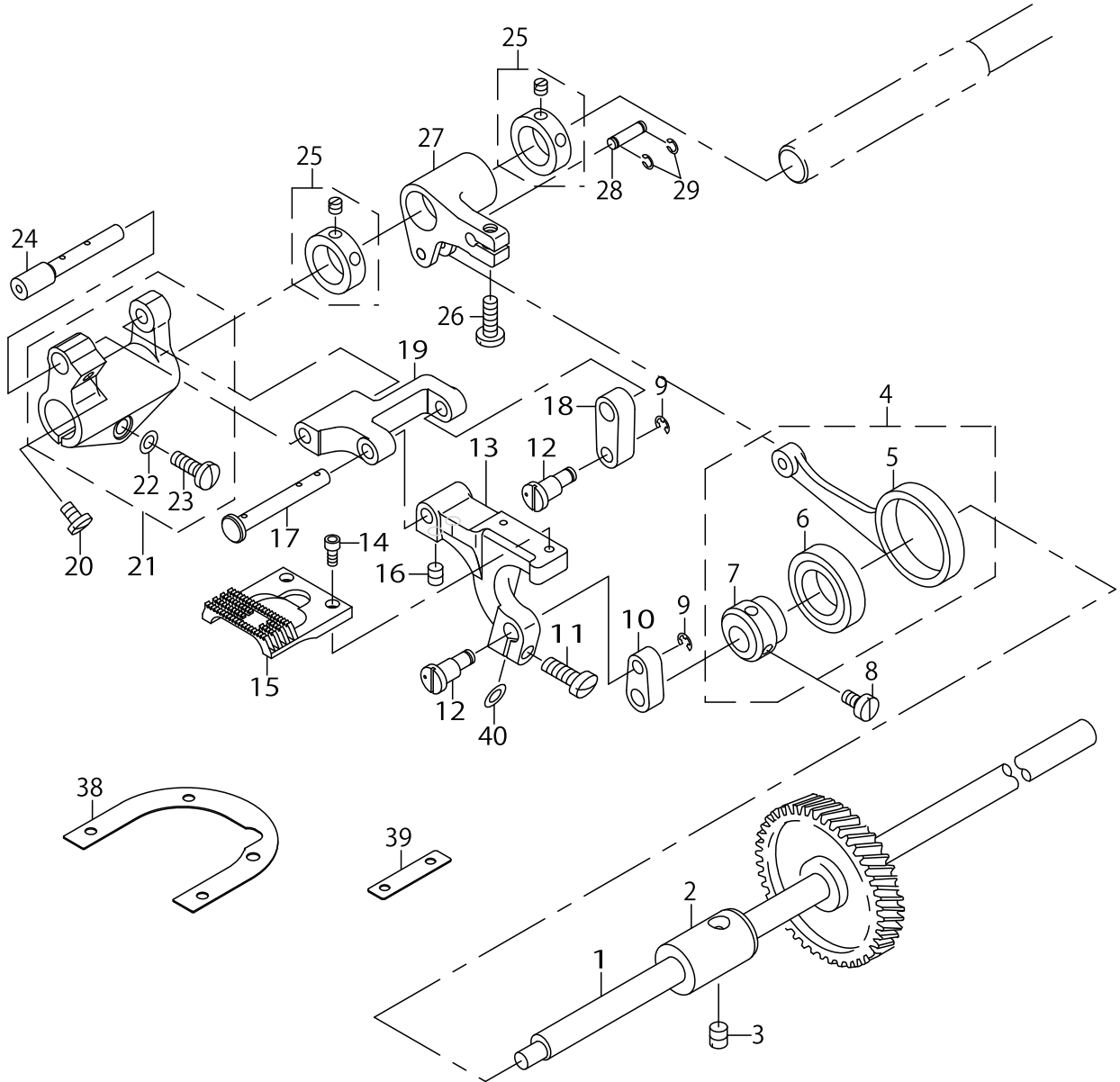
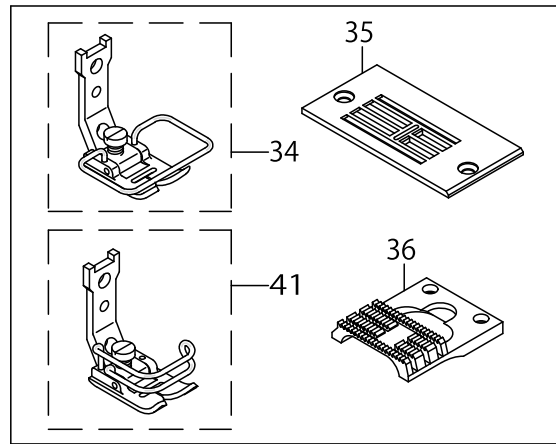
No.	Parts No.	Parts name	Remarks	Level	Cons	Qty
45	M8505429AA0	CORD A ASM.				1
46	HF0078016P0	FUSE 250VT 1.6A				1
47	M8601429AA0A	CONTROL BASE A ASM.				1
48	HL017120000	PHOTO COUPLER		*		1
49	HG005640000	DIODE BRIGDE (S1VB20)		*		1
50	HL003880000	VOLTAGE REGULATOR (UPC78L05A)		*		1
51	HT002310000	TRANSISTOR 2SC1815		*		2
52	HR022301010	FIXED RESISTANCE		*		1
53	HC018201020	ALUMINUM ELECTROLYSIS		*		1
54	HC018204700	CAPACITOR 47 25V		*		1
55	HC055711040	CAPACITOR		*		1
56	HC036413320	CONDENSER		*		1
57	HF0041050S0	FUSE 0.5A		*		1
58	HF0041020P0	FUSE 2A		*		1
59	HK01650004A	CONNECTOR 4P		*		1
60	M2001429BA0	PSC BOX B ASM.	FOR 200V,3-PHASE			1
61	M2001429CA0	PSC BOX C ASM.	FOR 230V,3-PHASE			1
62	M2001429AA0	PSC BOX A ASM.	FOR 100V,1-PHASE			1
63	M8501429AA0	POWER SOURCE TRANSFORMER ASM.				1
64	23512908	FEED DOG	FOR USE IN JAPAN			1
65	23513062	PRESSER ASM.	FOR USE IN JAPAN			1
66	23513161	PRESSER ASM.	FOR USE IN JAPAN			1

EXCLUSIVE PARTS FOR LZ-2280NU(-7),2284NU(-7),2286NU(-7) & 2288NU(-7)

FOR LZ-2280NU
LZ-2280NU用



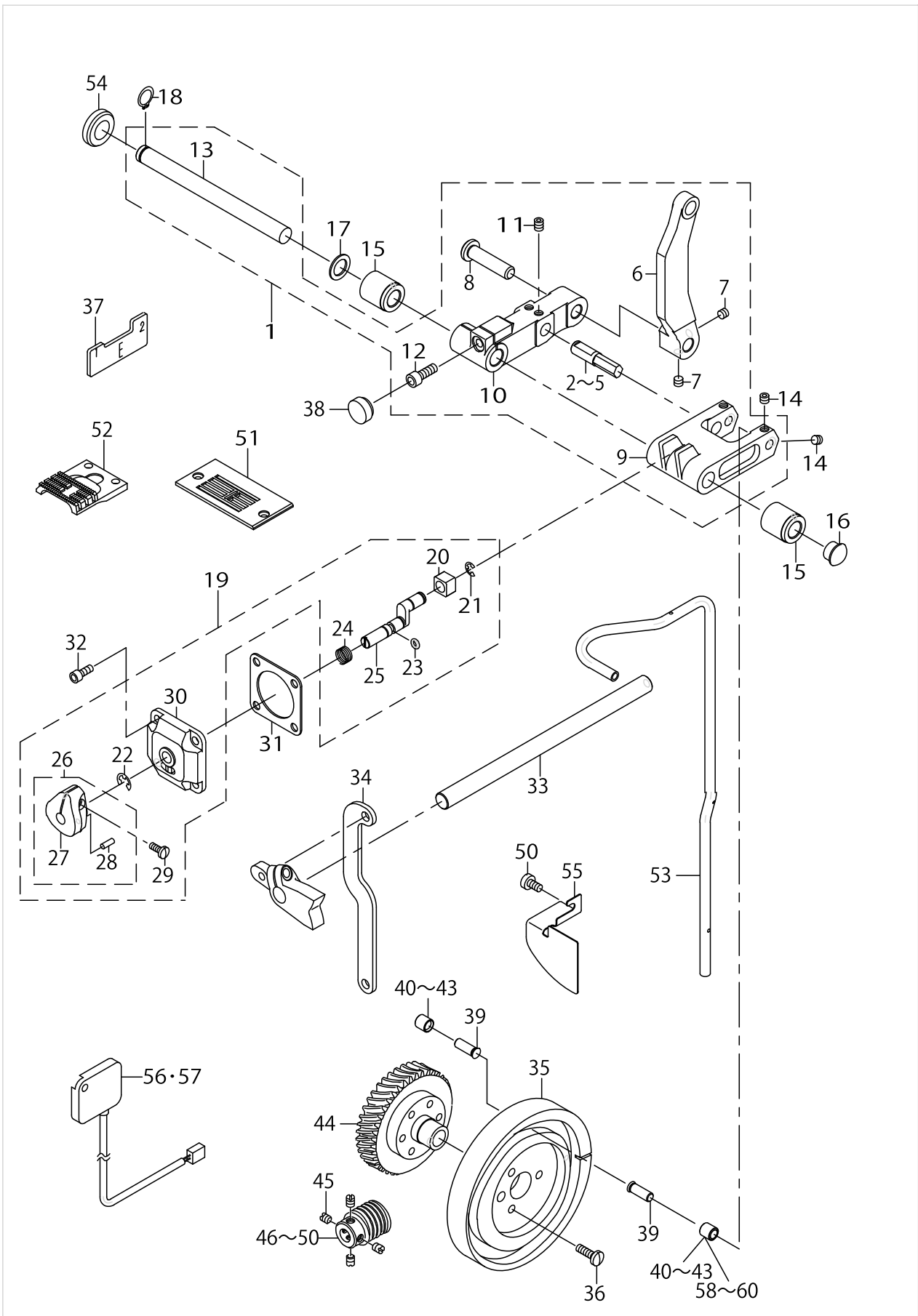
FOR LZ-2288NU,LZ-2286NU,LZ-2284NU
LZ-2288NU,LZ-2286NU,LZ-2284NU用



EXCLUSIVE PARTS FOR LZ-2280NU(-7),2284NU(-7),2286NU(-7) & 2288NU(-7)

No.	Parts No.	Parts name	Remarks	Level	Cons	Qty
1	23502008	HOCK DRIVING SHAFT				1
2	23502107	BUSING,FRONT				1
3	SS8150710SP	SCREW 15/64-28 L=7				1
4	23501356	VERTICAL FEED CAM ASM.				1
5	23501406	VERTICAL FEED ROD		*		1
6	SB117000100	BEARING		*		1
7	23501307	VERTICAL FEED CAM		*		1
8	SS6110820TP	SCREW 11/64-40 L=8				2
9	RE0300000K0	E-RING 3				2
10	22520001	LINK				1
11	SS7121410TP	SCREW 3/16-28 L=14				1
12	26303107	LINK SHAFT				2
13	23501901	FEED BASE				1
14	SS6580752TP	SCREW 1/8-40 L=7				2
15	22548119	FEED DOG	VARIOUS NSO. FOR DESTINATIONS			1
16	SM8050612TP	SCREW M5X6				2
17	23501802	FEED BAR SHAFT B				1
18	23501703	LINK B				1
19	23501604	FEED BASE LINK				1
20	SS7110740TP	SCREW 11/64-40 L=7				1
21	22913156	FEED ROCKER ASM.				1
22	WP0480856SP	WASHER 4.8X8.4X0.8		*		1
23	SS7121410TP	SCREW 3/16-28 L=14		*		1
24	22913206	FEED BAR SHAF				1
25	CS1470710SH	THRUST COLLAR ASM. D=14.72 W=7				2
26	SS7121410TP	SCREW 3/16-28 L=14				1
27	23501513	VERTICAL FEED ARM				1
28	11214806	PIN				1
29	RC0330415KP	SNAP RING				2
30	22548671	PRESSER ASM.	VARIOUS NSO. FOR DESTINATIONS			1
31	22548960	PRESSER ASM.	VARIOUS NSO. FOR DESTINATIONS			1
32	22548010	NEEDLE PLATE	VARIOUS NSO. FOR DESTINATIONS			1
33	22548705	NEEDLE PLATE	VARIOUS NSO. FOR DESTINATIONS			1
34	23503154	PRESSER ASM.	VARIOUS NSO. FOR DESTINATIONS			1
35	22582407	NEEDLE PLATE				1
36	22581508	FEED DOG	VARIOUS NSO. FOR DESTINATIONS			1
37	22548804	FEED DOG	VARIOUS NSO. FOR DESTINATIONS			1
38	22503908	SPACER	FOR LZ-2280NU-7,LZ-2284NU-7, LZ-2286NU-7,LZ-2288NU-7			1
39	10025906	SPACER	FOR LZ-2280NU-7,LZ-2284NU-7, LZ-2286NU-7,LZ-2288NU-7			1
40	WP0500916SD	WASHER 5X7X0.9				1
41	23503162	PRESSER ASM.	VARIOUS NSO. FOR DESTINATIONS			1

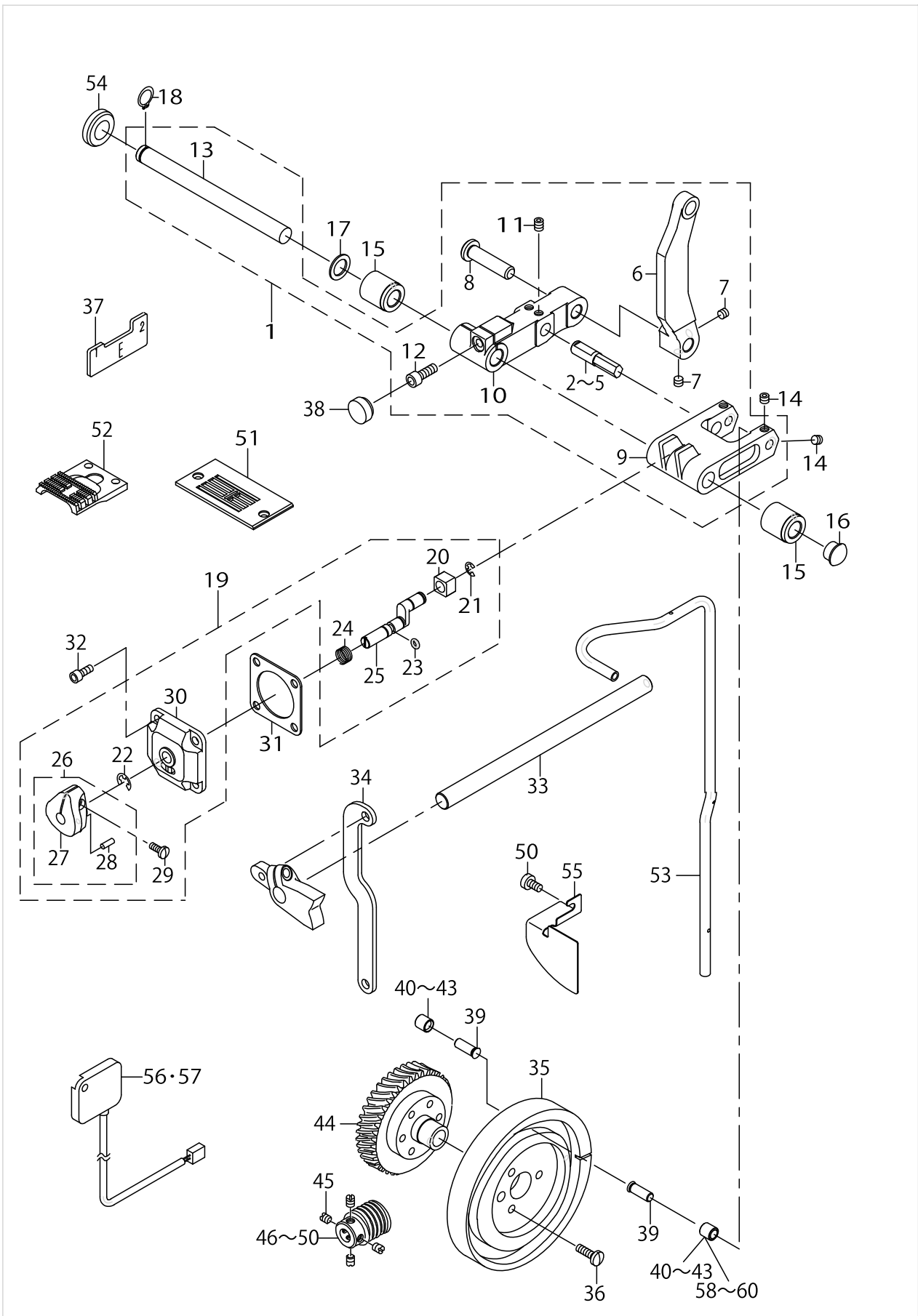
EXCLUSIVE PARTS FOR LZ-2284N(-7),LZ-2284C-7 (1)



EXCLUSIVE PARTS FOR LZ-2284N(-7),LZ-2284C-7 (1)

No.	Parts No.	Parts name	Remarks	Level	Cons	Qty
1	26312751	NEEDLE DRIVING ARM ASM.				1
2	26313007	DIA PIN A	SELECTIVE PARTS	*		1
3	26313106	DIA PIN B	SELECTIVE PARTS	*		1
4	26313205	DIA PIN C	SELECTIVE PARTS	*		1
5	26313304	DIA PIN D	SELECTIVE PARTS	*		1
6	26313502	NEEDLE DRIVING ROD		*		1
7	SM8050412TP	SCREW M5 L=4		*		2
8	26313403	NEEDLE DRIVING PIN A		*		1
9	26312900	NEEDLE CAM ARM		*		1
10	26312702	DRIVING ARM		*		1
11	SM8050612TP	SCREW M5X6		*		2
12	SM6051402TP	SCREW M5X0.8 L=14		*		1
13	26312801	NEEDLE DRIVING SHAFT		*		1
14	SM8050412TP	SCREW M5 L=4				4
15	12308300	METAL,FRONT				2
16	TA1100604R0	PLUG				1
17	B1637560000	WASHER				1
18	RC0100001KP	SNAP RING M10				1
19	40078331	CHANGE OVER BASIS ASM.				1
20	40078335	CHANGE OVER BLOCK		*		1
21	RE0400000K0	E-RING 4		*		1
22	RE0400000K0	E-RING 4		*		1
23	RO029180100	RUBBER RING		*		1
24	26314104	SPRING		*		1
25	40078336	CHANGE OVER SLIDE SHAFT		*		1
26	40078333	CHANGE OVER LEVER ASM.		*		1
27	40078334	CHANGE OVER LEVER		*		1
28	PH0300085S0	PIN		*		1
29	SS7090910TP	SCREW 9/64-40 L= 8.5		*		1
30	40078332	CHANGE OVER BASIS		*		1
31	22501704	GASKET				1
32	SS6111052TP	SCREW				4
33	26312405	FEED LEVER SHAFT				1
34	26314401	FEED CHANGE LINK A				1
35	23518822	NEEDLE CAM				1
36	SS7111410TP	SCREW 11/64-40 L=14				3
37	22536502	TIMING GAUGE E				1
38	TA1470702R0	RUBBER PLUG				1
39	26313700	NEEDLE CAM ROLLER SHAFT				2
40	40064313	NEEDLE CAM ROLLER A	SELECTIVE PARTS			2
41	40064314	NEEDLE CAM ROLLER B	SELECTIVE PARTS			2
42	40064315	NEEDLE CAM ROLLER C	SELECTIVE PARTS			2
43	40064316	NEEDLE CAM ROLLER D	SELECTIVE PARTS			2
44	22585657	WORM WHEEL COMPL.				1
45	SS8660610TP	SCREW 1/4-40 L=6				4
46	22527006	WORM A				1
47	22527105	WORM B				1

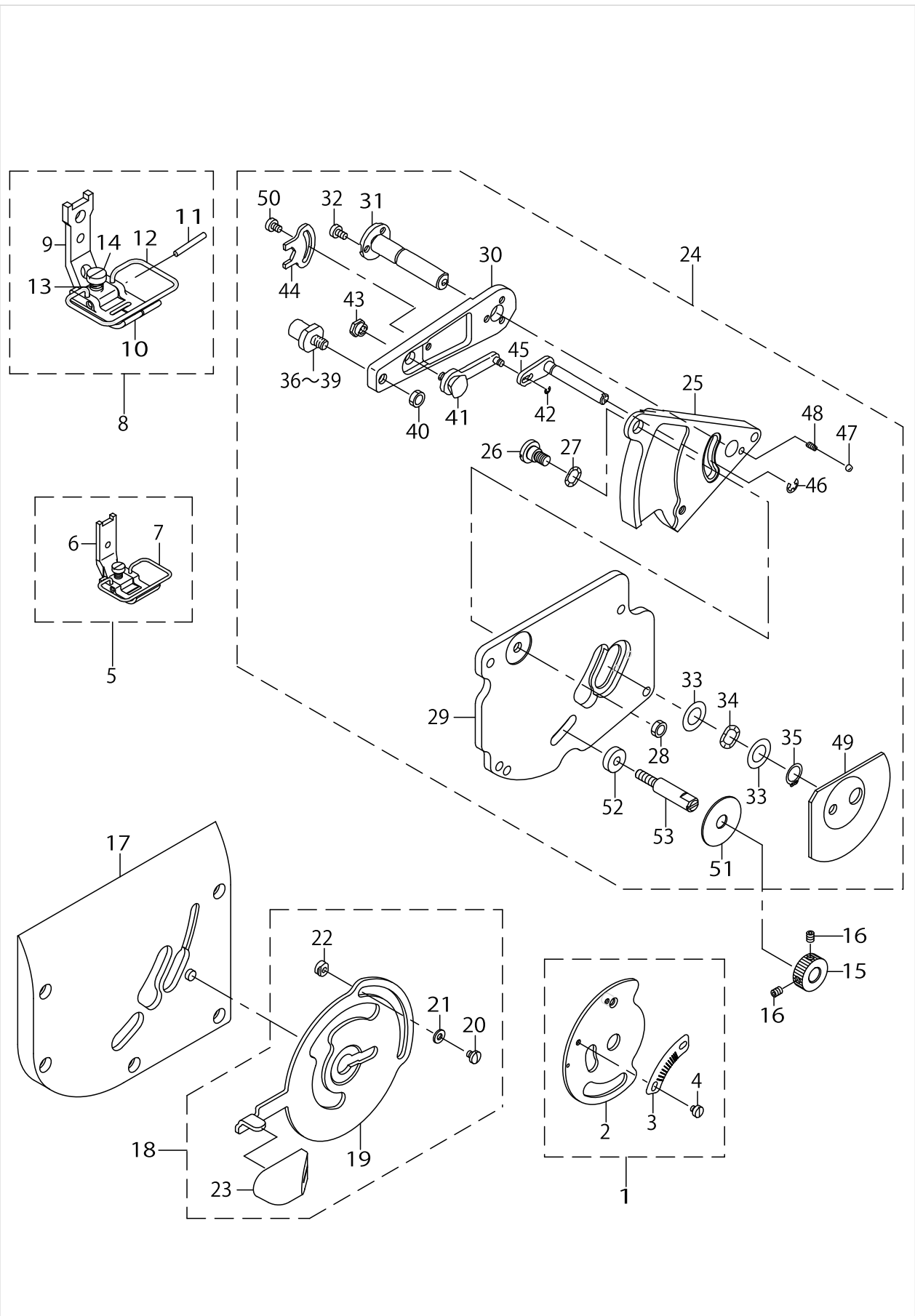
EXCLUSIVE PARTS FOR LZ-2284N(-7),LZ-2284C-7 (1)



EXCLUSIVE PARTS FOR LZ-2284N(-7),LZ-2284C-7 (1)

No.	Parts No.	Parts name	Remarks	Level	Cons	Qty
48	22527204	WORM C				1
49	22527303	WORM D				1
50	SS6110810TP	SCREW 11/64-40 L=8				1
51	22582407	NEEDLE PLATE				1
52	22581508	FEED DOG				1
53	26315309	ARM SHAFT OIL PIPE				1
54	TA2200502R0	RUBBER PLUG				1
55	23519804	OIL SHIELD				1
56	M6094350AAL	RESISTANCE PACK AL ASM.	FOR LZ-2284N-7			1
57	M6094350AAF	RESISTANCE PACK AF ASM.	VARIOUS NOS.FOR DESTINATIONS			1
58	40064317	NEEDLE CAM ROLLER E	SELECTIVE PARTS			2
59	40064319	NEEDLE CAM ROLLER F	SELECTIVE PARTS			2
60	40064320	NEEDLE CAM ROLLER G	SELECTIVE PARTS			2

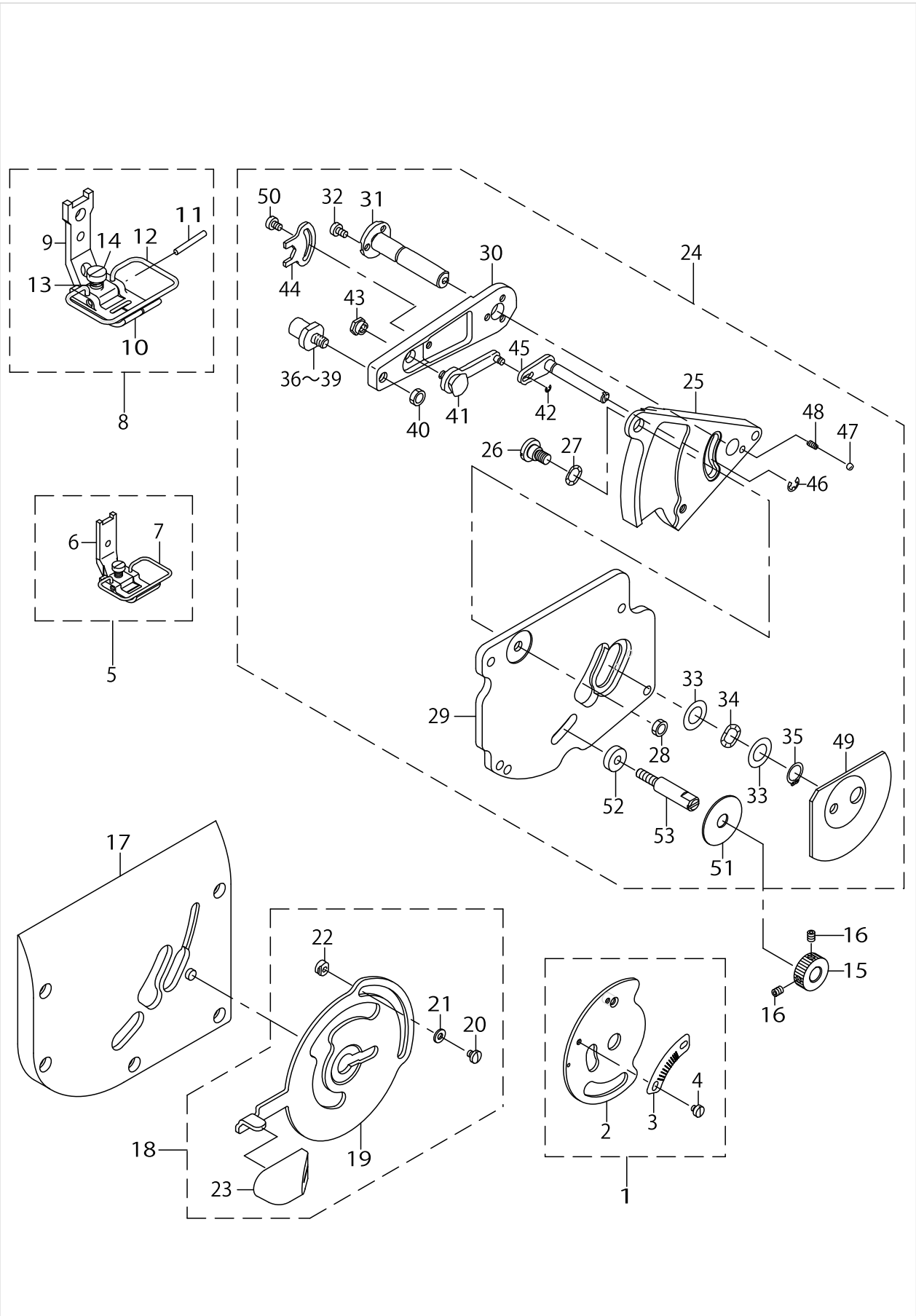
EXCLUSIVE PARTS FOR LZ-2284N(-7),LZ-2284C-7 (2)



EXCLUSIVE PARTS FOR LZ-2284N(-7),LZ-2284C-7 (2)

No.	Parts No.	Parts name	Remarks	Level	Cons	Qty
1	23521263	SWING WIDE GRADUATION ASM.				1
2	23521255	FITTING PLATE COMPL.		*		1
3	22586226	SWING WIDE GRADUATION		*		1
4	SS6080320SP	SCREW 1/8-44 L= 2.5		*		2
5	22580864	PRESSER ASM.				1
6	10055051	PRESSER FOOT ASM.		*		1
7	22580302	SAFETY COVER		*		1
8	22584965	PRESSER FOOT ASM.				1
9	22545206	PRESSER FOOT (UPPER)		*		1
10	22584908	PRESSER FOOT (LOWER)		*		1
11	10021103	PRESSER PIN		*		1
12	22545404	SAFETY COVER		*		1
13	B1525582000	SPRING		*		1
14	SS6090810SP	SCREW 9/64-40 L= 7.5		*		1
15	23521404	ADJUSTING PICK-UP				1
16	SM8040502TP	SCREW M4X0.7 L=5				2
17	22568356	SIDE COVER ASM.				1
18	22573257	CHANGING LEVER ASM.				1
19	22573208	NEEDLE POSITION CHANGE LEVER		*		1
20	SS7090410SP	SCREW 9/64-40 L= 3.5		*		2
21	WP03711016SD	WASHER 3.7X8X1		*		2
22	10015907	LEVER STOPPER		*		2
23	22512602	KNOB		*		1
24	23521057	CHANGE BASE ASM.				1
25	26319004	NEEDLE POSITION CHANGE BASE		*		1
26	SD0800402TP	HINGE SCREW D= 8 H= 4		*		1
27	WZ0850302K0	WAVED WASHER 8.5X12.5X0.3		*		3
28	NS6150310SP	NUT 15/64-28		*		1
29	23521107	CHANGE BASE FITTING PLATE		*		1
30	26301507	ARM		*		1
31	26307306	SHAFT		*		1
32	SS6090620SP	SCREW 9/64-40 L=6		*		3
33	WP1020616SD	WASHER		*		2
34	WZ1052010KP	WAVED WASHER		*		1
35	RC0100001KP	SNAP RING M10		*		1
36	10016517	SHAFT	SELECTIVE PARTS	*		1
37	10016210	SHAFT	SELECTIVE PARTS	*		1
38	10016319	SHAFT	SELECTIVE PARTS	*		1
39	10016418	SHAFT	SELECTIVE PARTS	*		1
40	NS6150310SP	NUT 15/64-28		*		1
41	10017168	STOPPER ASM.		*		1
42	RE0200000K0	E-RING		*		1
43	10018000	NUT		*		1
44	10018109	NUT STOPPER		*		1
45	10015360	LEVER ASM.		*		1
46	RE0400000K0	E-RING 4		*		1
47	B2608761000	HAND STOP CRANK SHAFT BALL		*		1

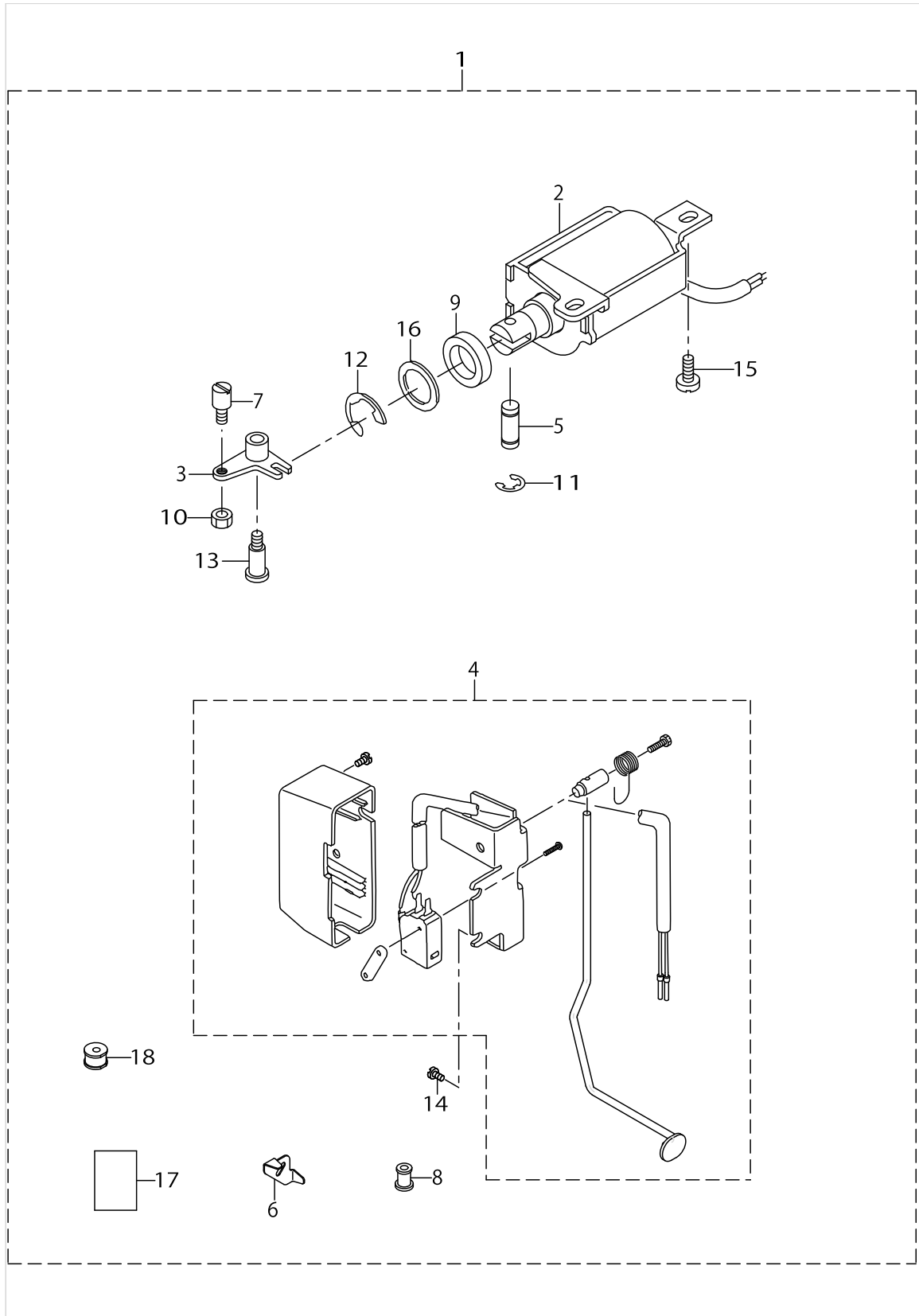
EXCLUSIVE PARTS FOR LZ-2284N(-7),LZ-2284C-7 (2)



EXCLUSIVE PARTS FOR LZ-2284N(-7),LZ-2284C-7 (2)

No.	Parts No.	Parts name	Remarks	Level	Cons	Qty
48	10017408	SPRING		*		1
49	10017606	OIL SHIELD		*		1
50	SS6090520SP	SCREW 9/64-40 L= 5.0		*		1
51	22573505	PACKING		*		1
52	B1430761000	ROLLER		*		1
53	23521305	ADJUSTING PICK-UP SCREW		*		1

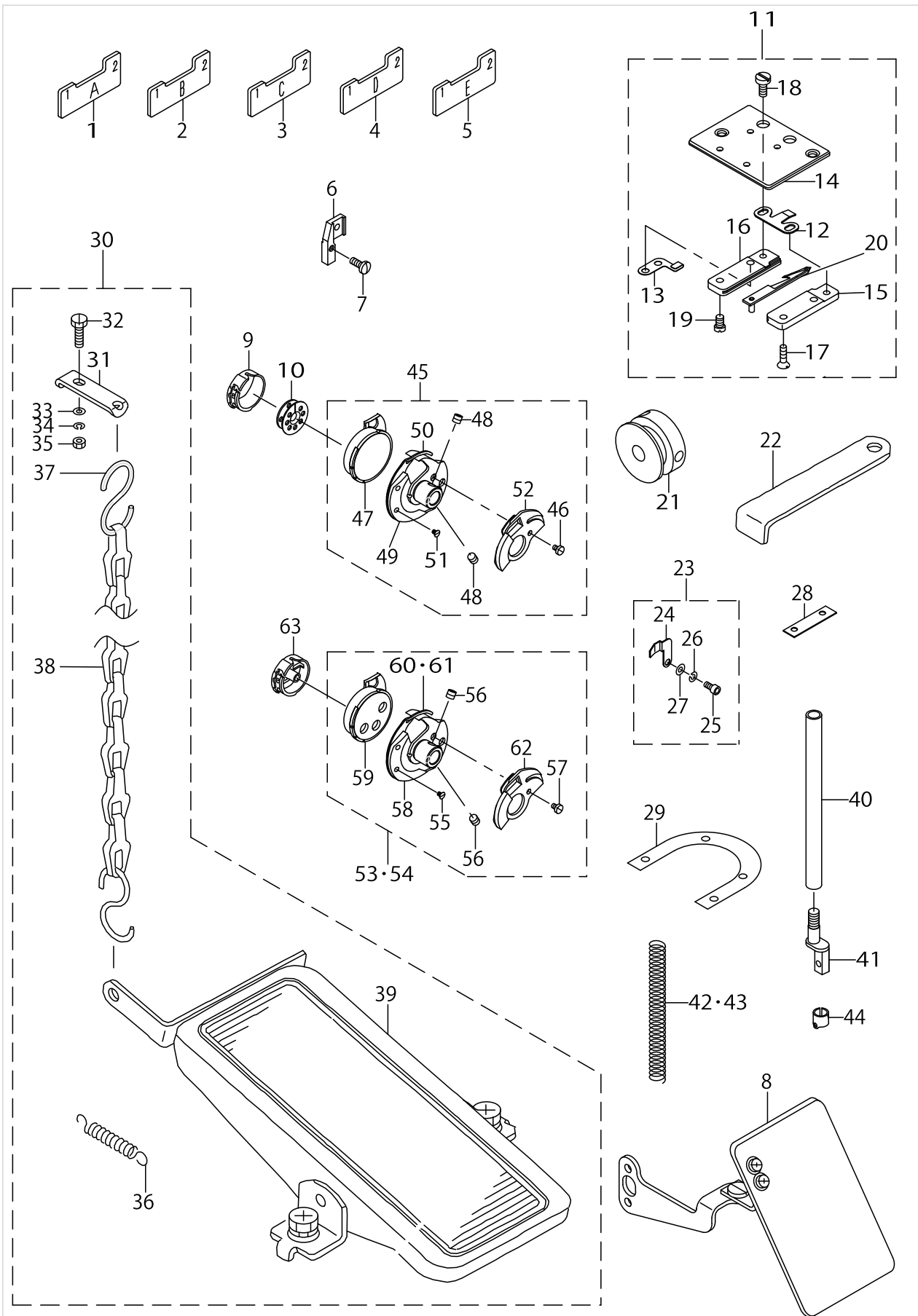
SPECIAL ORDER PARTS FOR LZ-2280N,2281N,2284N,2286N,2288N



SPECIAL ORDER PARTS FOR LZ-2280N,2281N,2284N,2286N,2288N

No.	Parts No.	Parts name	Remarks	Level	Cons	Qty
1	22561559	AUTOMATIC BACK MACHINE				1
2	22559058	MAGNET ASM.		*		1
3	22544159	REVERSE FEED MAGNET LINK		*		1
4	22559850	REVERSE FEED SWITCH		*		1
5	11101003	PLUNGER ARM PIN		*		1
6	11102605	CORD HOLDER		*		1
7	B1213372000	SCREW		*		1
8	D2467555B00	RUBBER PLUG		*		2
9	D2468555B00	RUBBER PLUNGER		*		1
10	NS6150310SP	NUT 15/64-28		*		1
11	RE0400000K0	E-RING 4		*		2
12	RE1200000K0	E-RING 12		*		1
13	SD0791503SP	HINGE SCREW D=7.94 H=15		*		1
14	SS4120615SP	SCREW 3/16-28 L=6		*		2
15	SS4150915SP	SCREW 15/64-28 L=9		*		2
16	WP1602616SZ	WASHER 16X24X2.6		*		1
17	29141900	INSTRUCTION MANUAL		*		1
18	11030202	RUBBER BUSHING		*		1

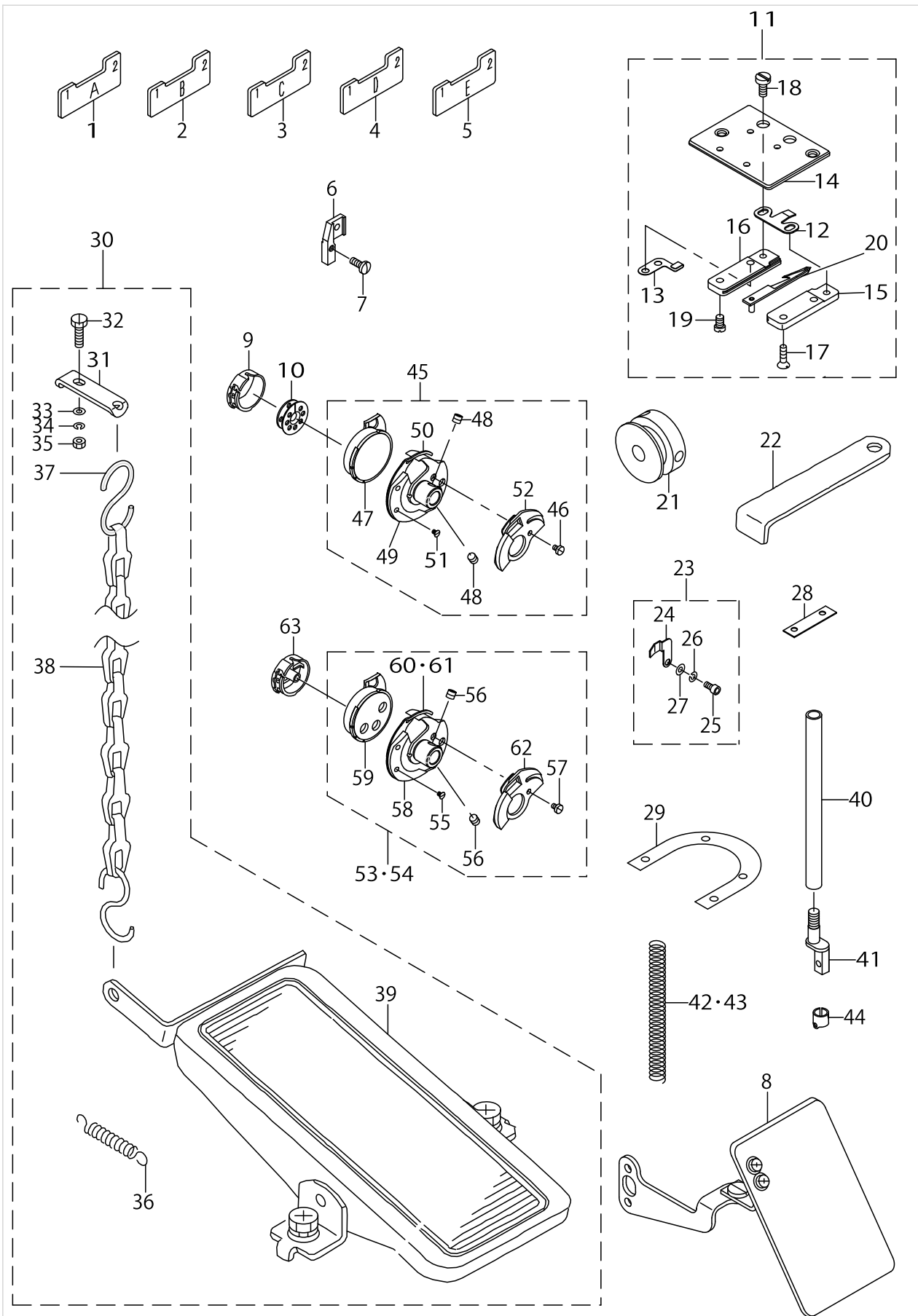
SPECIAL ORDER PARTS FOR LZ-2280N SERIES



SPECIAL ORDER PARTS FOR LZ-2280N SERIES

No.	Parts No.	Parts name	Remarks	Level	Cons	Qty
1	22535801	TIMING GAUGE				1
2	22586705	TIMING GAUGE				1
3	22535900	TIMMING GAUGE, RIGHT				1
4	22536403	TIMMING GAUG D				1
5	22536502	TIMING GAUGE E				1
6	B1551586000	PRESSER FOOT JOINT				1
7	SS7090910SP	SCREW 9/64-40 L= 8.5				1
8	22503353	SAFETY PLATE ASM.				1
9	23522550	NOT TURN BOBBIN CASE ASM.				1
10	23523004	NOT TURN BOBBIN				1
11	22556054	KNIFE UNIT				1
12	22556302	FIXED KNIFE		*		1
13	22556450	CLAMP PLATE ASM.		*		1
14	22556609	SLIDING PLATE		*		1
15	22556708	DRIVING BASE		*		1
16	22556807	DRIVING BASE		*		1
17	SS1090510SP	SCREW 9/64-40 L=5		*		2
18	SS6090420SP	SCREW 9/64-40 L= 4.0		*		2
19	SS7090710SP	SCREW 9/64-40 L= 6.8		*		2
20	22556153	DRIVING KNIFE ASM.		*		1
21	22555403	THREAD CUTTING CAM				1
22	B9101490000	DRIVER				1
23	22525455	NEEDLE HOLDER ASM.				1
24	22525406	NEEDLE GUARD		*		1
25	SM6030602TP	SCREW M3X0.5 L=6		*		1
26	WS0310702KS	SPRING WASHER		*		1
27	WP0320500SC	WASHER M3		*		2
28	10025906	SPACER				1
29	22503908	SPACER				1
30	GRF010000B0	RF-1 BACK STITCH DEVICE ASM.				1
31	GRF01001000	PLATE		*		1
32	SS9111510SP	SCREW 11/64-40 L=15		*		1
33	WP0501016SD	WASHER 5X10.5X1		*		1
34	WS0441040KP	SPRING WASHER 4.4X7.4X1		*		1
35	NS6110420SP	NUT 11/64-40		*		1
36	MAT80117S00	SPRING		*		1
37	B8133019000	S SHAPED HOOK		*		2
38	B8131019000	CHAIN		*		1
39	11960853	PEDAL ASM.		*		1
40	D1501583H00	PRESSER BAR				1
41	D1502583H00	PRESSER BAR				1
42	B150522700A	PRESSER ADJUSTING SPRING				1
43	11162104	SPRING				1
44	22507701	THRED RACK, RIGHT				1
45	23523152	NOT TURN BOBBIN HOOK COMPL. V				1
46	10033108	HOOK COUNTER BALANCE SCREW		*		1
47	22526008	INNER HOOK V		*		1

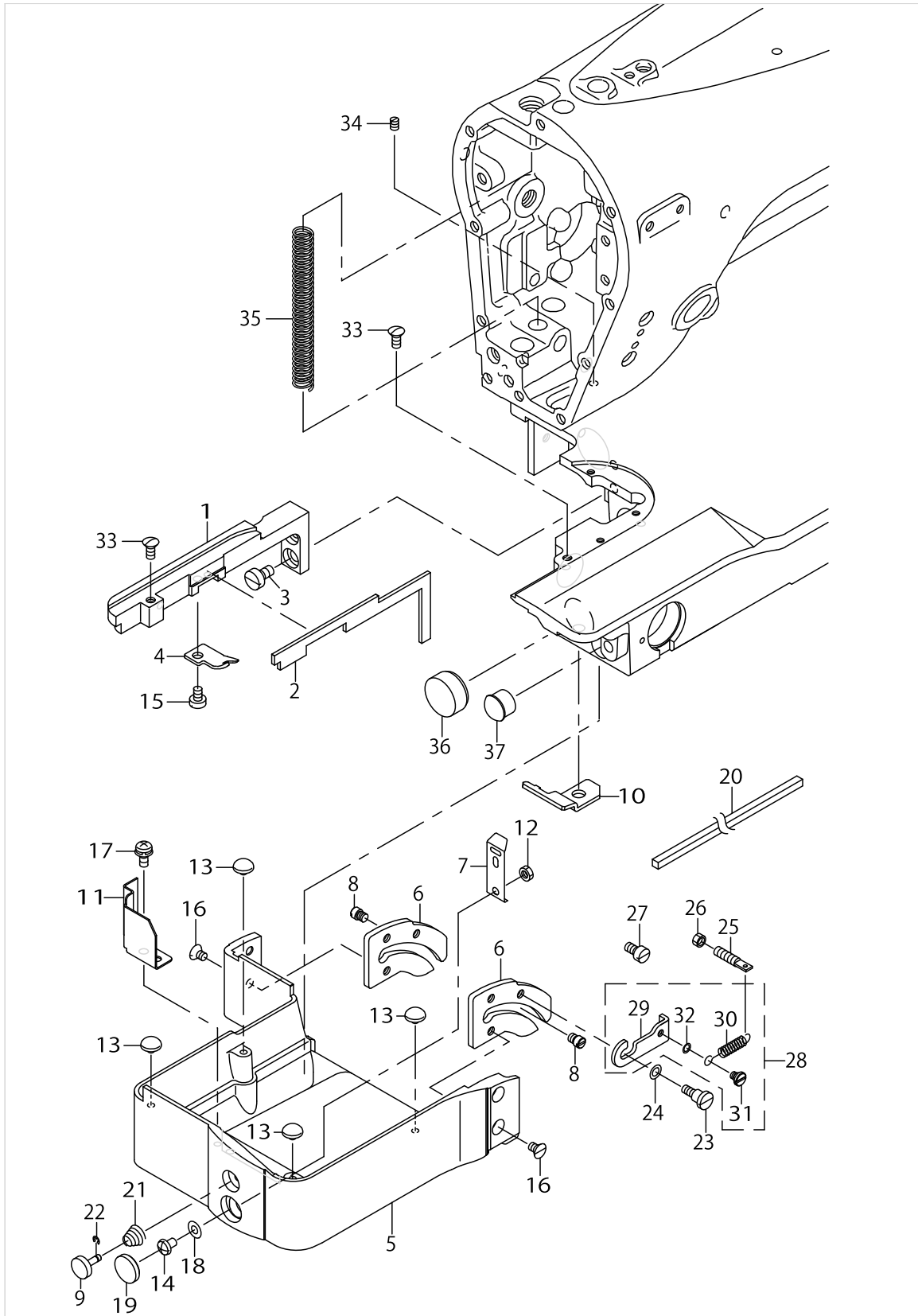
SPECIAL ORDER PARTS FOR LZ-2280N SERIES



SPECIAL ORDER PARTS FOR LZ-2280N SERIES

No.	Parts No.	Parts name	Remarks	Level	Cons	Qty
48	SS8110422TP	SCREW 11/64-40 L=4		*		2
49	22525919	OUTER HOOK V		*		1
50	23503501	INNER HOOK PRESSER V-S		*		1
51	10033009	HOOK GIB SCREW		*		2
52	23523202	NOT TURN BOBBIN INNER HOOK V		*		1
53	23503659	HOOK COMPL. S	FOR INNER HOOK S			1
54	23502958	HOOK CONNECTION K	FOR INNER HOOK K			1
55	23504103	INNER HOOK PRESSER SETSCREW S		*		3
56	23504301	OUTER HOOK SETSCREW S		*		2
57	23504400	HOOK COUNTER BALANCE SCREW S		*		1
58	23503709	OUTER HOOK S		*		1
59	23503808	INNER HOOK S		*		1
60	23503907	INNER HOOK PRESSER S	FOR INNER HOOK S	*		1
61	23503006	INNER HOOK PRESSER K	FOR INNER HOOK K	*		1
62	23504004	BACK PLATE S		*		1
63	23504657	BOBBIN CASE WITH SPRING				1

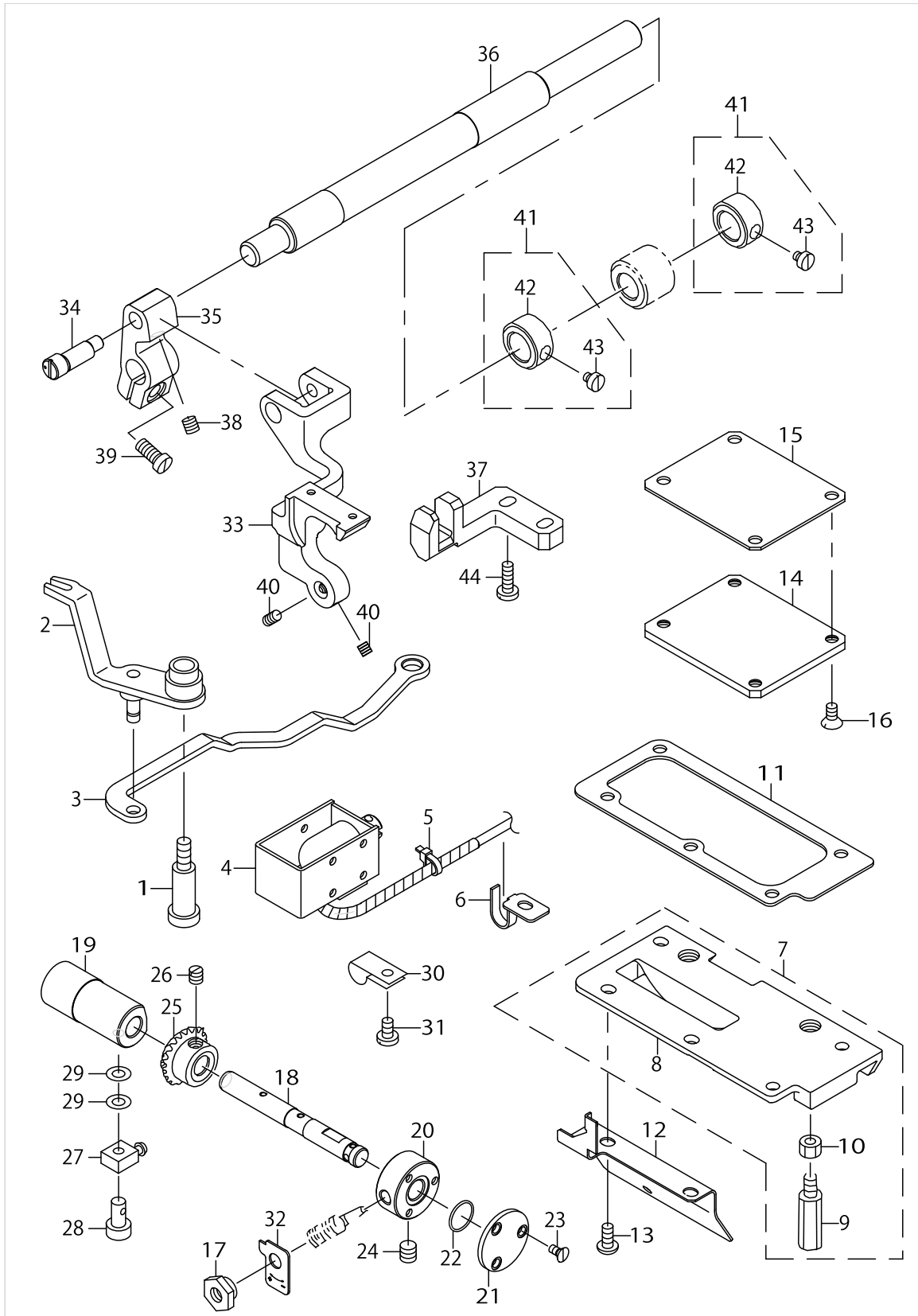
EXCLUSIVE PARTS FOR LZ-2284C-7 (1)



EXCLUSIVE PARTS FOR LZ-2284C-7 (1)

No.	Parts No.	Parts name	Remarks	Level	Cons	Qty
1	40005484	NEEDLE PLATE SUPPORT				1
2	40005485	OIL RETURN FELT				1
3	SS6120940SP	SCREW 3/16-28 L=9				2
4	40005505	INNER HOOK STOPPER				1
5	40005487	HOOK COVER				1
6	40005488	HOOK COVER GUIDE				2
7	40005489	HOOK COVER SPRING				1
8	40005490	HOOK COVER GUIDE PIN				4
9	40005491	HOOK COVER BUTTON				1
10	40005493	HOOK COVER STOPPER				1
11	40005494	OIL SHIELD PLATE				1
12	NM6040003SC	NUT M4				1
13	B8226WP1000	FRAME RUBBER CUSHION				4
14	SM5040655SN	SCREW				1
15	SS6110610TP	SCREW 11/64-40 L=6				1
16	SS1110640TP	SCREW 11/64-40 L= 5.5				4
17	SL4040681SC	COMBINATION SCREW M4 X 8				1
18	WP0430801SC	WASHER 4.3X9X0.8				1
19	TA1450302R0	RUBBER PLUG				1
20	B3541012000	OIL WICK				0.25
21	11093606	THREAD TENSION SPRING				1
22	RE0200000K0	E-RING				1
23	SD0550212TP	HINGE SCREW D=5.5 H=2.1				1
24	WP0450846SP	WASHER				1
25	B2561205000A	SCREW				1
26	NS6110310SP	NUT 11/64-40				1
27	B1536804000	PIN				1
28	40005517	HOOK COVER GUIDE STOPPER ASM.	ACCESSORIE PART			1
29	40005492	HOOK COVER GUIDE STOPPER		*		1
30	40005516	TENSION SPRING		*		1
31	SD0460182SP	HINGE SCREW D= 4.6 H= 1.8		*		1
32	WP0360516SD	WASHER M3		*		1
33	SS2110920TP	SCREW 11/64-40 L=8.5				2
34	SS8110520TP	SCREW 11/64-40 L= 4.5	ACCESSORIE PART			1
35	22907406	PRESSER SPRING				1
36	TA2101002R0	RUBBER PLUG				1
37	TA1250804R0	RUBBER PLUG				1

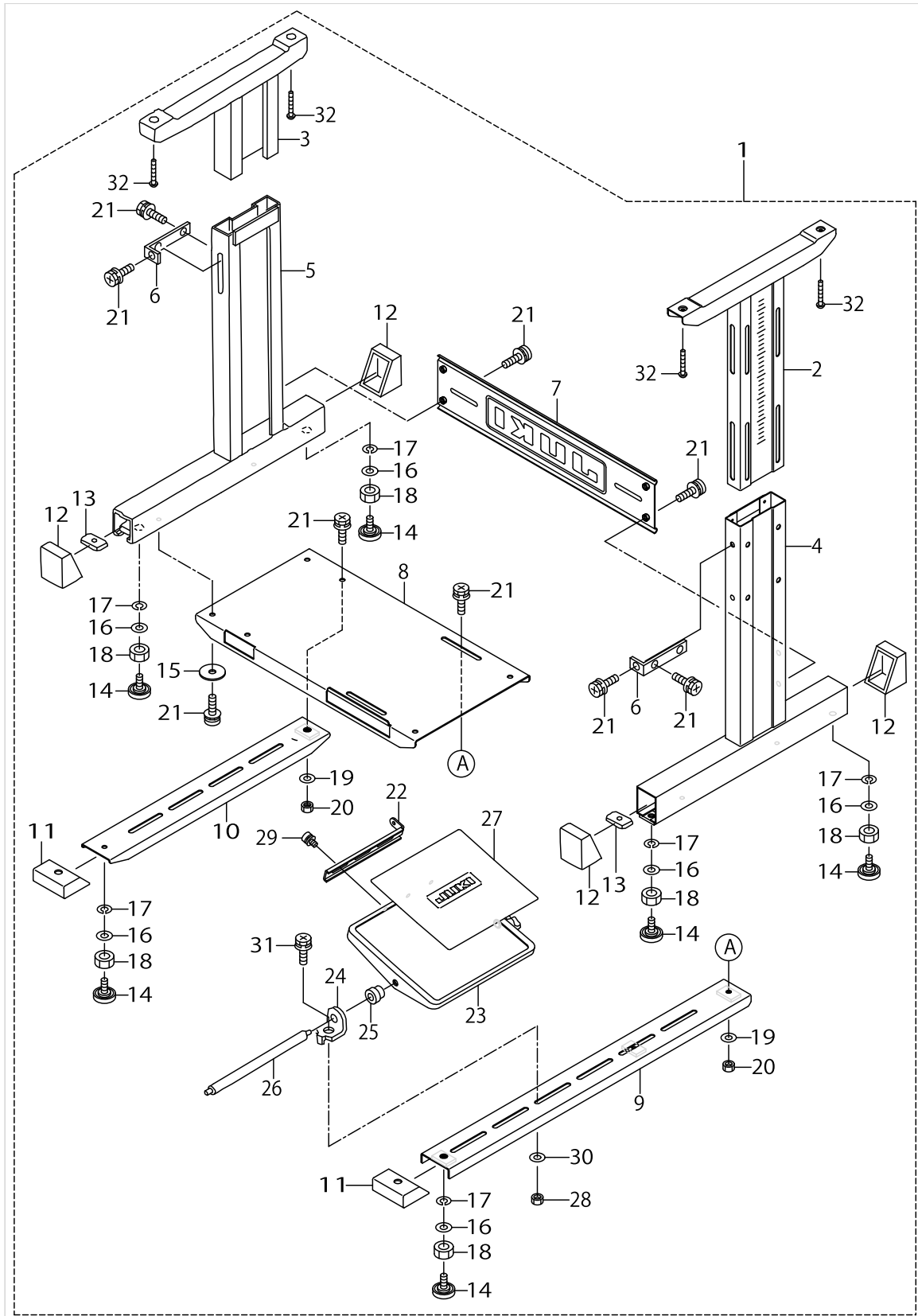
EXCLUSIVE PARTS FOR LZ-2284C-7 (2)



EXCLUSIVE PARTS FOR LZ-2284C-7 (2)

No.	Parts No.	Parts name	Remarks	Level	Cons	Qty
1	SD0791501SP	HINGE SCREW D= 7.94 H=15.0				1
2	40005508	KNIFE BRANCH ASM.				1
3	40005507	MOVING KNIFE LINK				1
4	40005512	THREAD CUTTING MAGNET				1
5	EA9500B0100	CABLE BAND				1
6	B3523980000	OIL WICK PIPE STOPPER	VARIOUS NOS. FOR DESTINATIONS			1
7	40005477	DRIVING GEAR BOX COVER ASM.				1
8	40005478	DRIVING GEAR BOX COVER		*		1
9	10100410	BED SCREW STUD		*		2
10	NS6700420SP	NUT 5/16-24		*		2
11	40005480	DRIVING GEAR BOX COVER PACKING				1
12	40005481	OIL SHIELD PLATE				1
13	SS4110915SP	SCREW 11/64-40 L=9				5
14	40005482	BEVEL GEAR BOX COVER				1
15	40005483	BEVEL GEAR BOX COVER PACKING				1
16	SS1110840SP	SCREW 11/64-40 L=8				4
17	13521000	NUT				1
18	40043054	HOOK SHAFT				1
19	40043055	HOOK SHAFT BUSHING				1
20	40005503	HOOK SHAFT METAL (B)				1
21	40005504	HOOK SHAFT METAL (B) COVER				1
22	RO110090100	RUBBER RING				1
23	SS1080620SP	SCREW 1/8-44 L=6				3
24	SM8060602TP	SCREW M6X6				1
25	40005506	HOOK DRIVING BEVEL GEAR (B)				1
26	SM8050500SP	SCREW				2
27	SQ0000401MZ	CONNECTING SCREW				1
28	B3525357000	CONNECTING SCREW (B)				1
29	B3534012000	GASKET				2
30	B3536122000	HOLDER				1
31	SS7110710SP	SCREW 11/64-40 L=7				1
32	40005515	INDICATION PLATE				1
33	40005496	FEED BASE				1
34	40005497	FEED BASE SHAFT				1
35	40005498	FEED BASE ARM				1
36	40005499	HORIZONTAL FEED SHAFT				1
37	40005500	FEED BASE GUIDE				1
38	SM8050610TP	SCREW M5 L=6				1
39	SM6051200TP	SCREW M5 L=12				1
40	SM8040510TP	SCREW M4 L=5				2
41	CS1111010SH	THRUST COLLAR ASM. D=11.11 W=1				2
42	CS1111019SH	THRUST COLLAR D=11.11 W=10			*	2
43	SS6660710TP	SCREW 1/4-40 L=7			*	2
44	SS7111120TP	SCREW				2

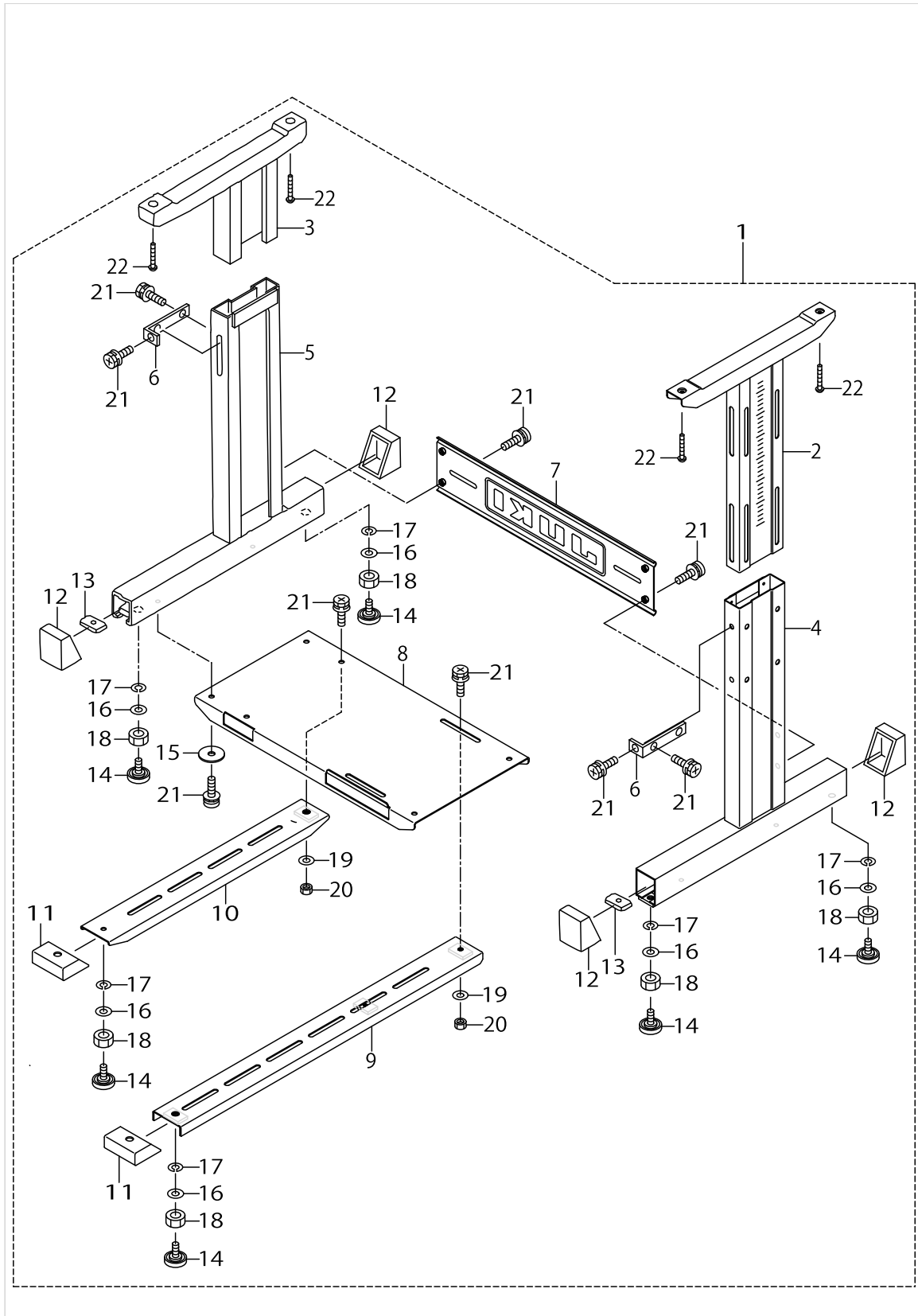
EXCLUSIVE PARTS FOR LZ-2284C-7 (3) (TABLE COMPONENTS/JT-Z710)



EXCLUSIVE PARTS FOR LZ-2284C-7 (3) (TABLE COMPONENTS/JT-Z710)

No.	Parts No.	Parts name	Remarks	Level	Cons	Qty
1	40005530	T-STAND ASM.				1
2	14118152	UPPER STAND ASM.,RIGHT		*		1
3	B8101210AAB	UPPER STAND ASM.		*		1
4	14118251	STAND ASM.,RIGHT		*		1
5	B8105210AAA	STAND ASM.		*		1
6	11158516	UPPER STAND PLATE		*		2
7	D8308205K0A	STAND SIDE SUPPORT		*		1
8	40005535	STAND SIDE SUPPORT		*		1
9	40005536	PEDAL SUPPORT BASE		*		1
10	40005538	STAND SUPPORT		*		1
11	40005539	PEDAL SUPPORT BASE CAP		*		2
12	11158607	RUBBER CAP		*		4
13	B8112552000	LEG BOTTOM SUPPORT BRACKET		*		4
14	B81085550A0	ADJUSTING SCREW ASM. WITH CAP		*		6
15	G5514116000	WASHER D=30		*		4
16	WP1302501SE	WASHER M12		*		6
17	WS1253010KN	SPRING WASHER 12.5X21.5X3		*		6
18	ST9053511SR	TAPPING SCREW M5X35		*		4
19	WP0871602SE	WASHER 8.7X18X1.6		*		2
20	NM6080001SE	NUT M8		*		2
21	SL9082091SE	WASHER HEXAGONAL BOLT		*		18
22	11158706	PEDAL ADJUSTING PLATE		*		1
23	11158805	PEDAL		*		1
24	11159001	PEDAL SHAFT BRACKET		*		2
25	D8113555B00	PEDAL BUSHING		*		2
26	D8115555B00	PEDAL SHAFT		*		1
27	11158904	PEDAL MAT		*		1
28	NM6080001SE	NUT M8		*		2
29	SL9061291SE	WASHER HEXAGONAL BOLT M6 L=12		*		2
30	WP0871602SE	WASHER 8.7X18X1.6		*		2
31	SL9082091SE	WASHER HEXAGONAL BOLT		*		2
32	ST9053511SR	TAPPING SCREW M5X35		*		4

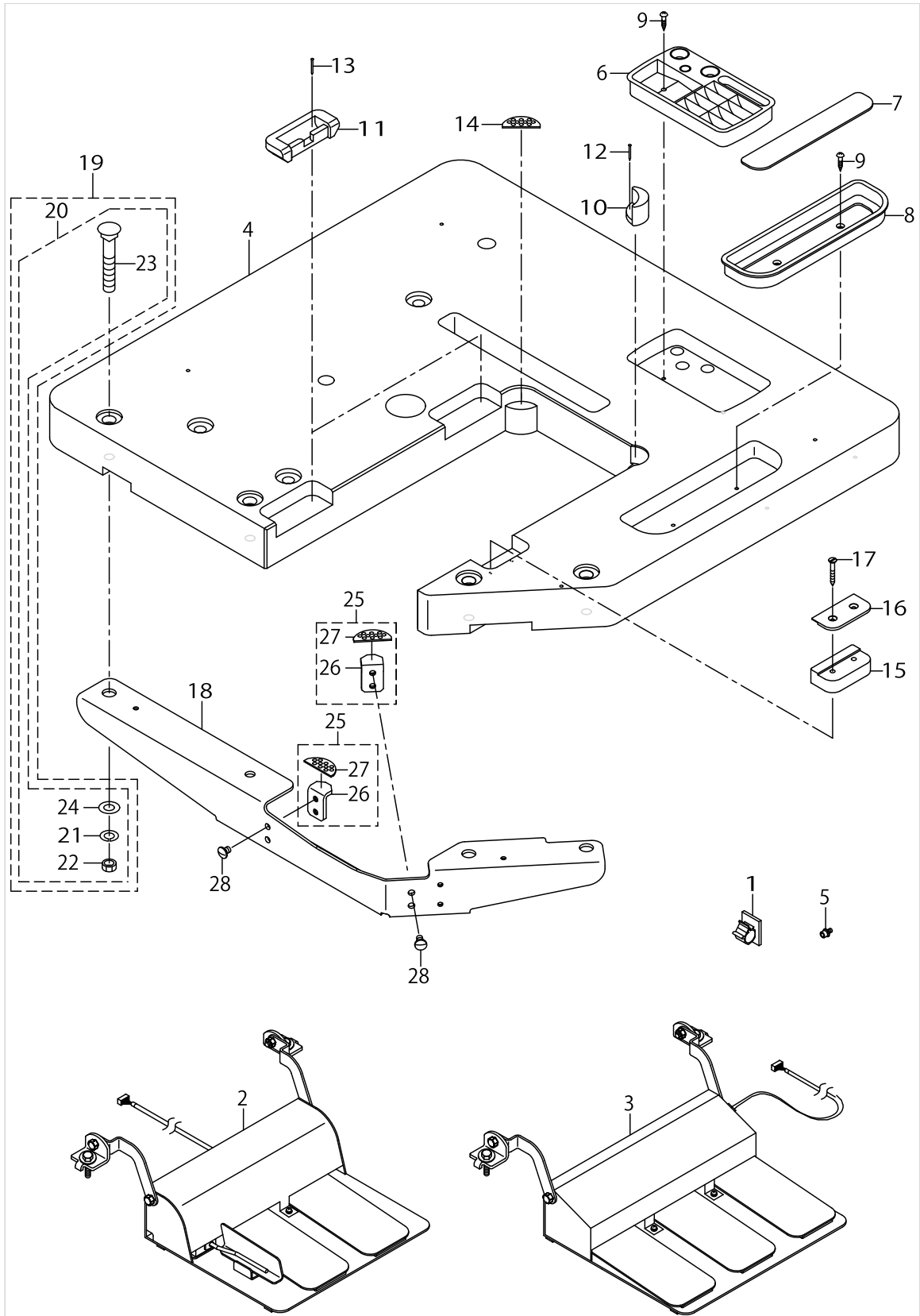
EXCLUSIVE PARTS FOR LZ-2284C-7 (4) (TABLE COMPONENTS/JT-Z71A,JT-Z71B)



EXCLUSIVE PARTS FOR LZ-2284C-7 (4) (TABLE COMPONENTS/JT-Z71A,JT-Z71B)

No.	Parts No.	Parts name	Remarks	Level	Cons	Qty
1	40005537	T-STAND ASM.				1
2	14118152	UPPER STAND ASM.,RIGHT		*		1
3	B8101210AAB	UPPER STAND ASM.		*		1
4	14118251	STAND ASM.,RIGHT		*		1
5	B8105210AAA	STAND ASM.		*		1
6	11158516	UPPER STAND PLATE		*		2
7	D8308205K0A	STAND SIDE SUPPORT		*		1
8	40005535	STAND SIDE SUPPORT		*		1
9	40005536	PEDAL SUPPORT BASE		*		1
10	40005538	STAND SUPPORT		*		1
11	40005539	PEDAL SUPPORT BASE CAP		*		2
12	11158607	RUBBER CAP		*		4
13	B8112552000	LEG BOTTOM SUPPORT BRACKET		*		4
14	B81085550A0	ADJUSTING SCREW ASM. WITH CAP		*		6
15	G5514116000	WASHER D=30		*		4
16	WP1302501SE	WASHER M12		*		6
17	WS1253010KN	SPRING WASHER 12.5X21.5X3		*		6
18	ST9053511SR	TAPPING SCREW M5X35		*		4
19	WP0871602SE	WASHER 8.7X18X1.6		*		2
20	NM6080001SE	NUT M8		*		2
21	SL9082091SE	WASHER HEXAGONAL BOLT		*		18
22	ST9053511SR	TAPPING SCREW M5X35		*		4

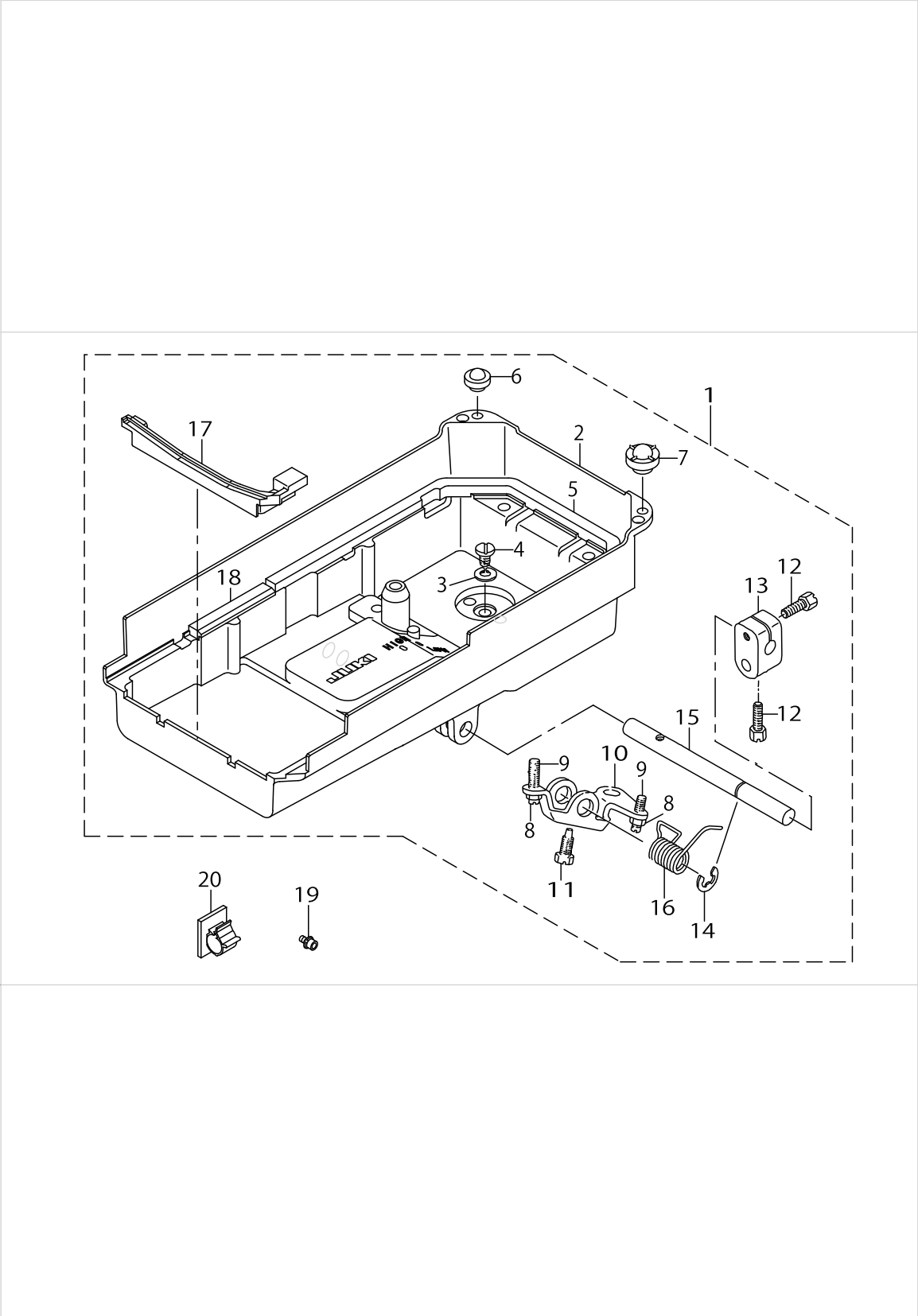
EXCLUSIVE PARTS FOR LZ-2284C-7 (5)



EXCLUSIVE PARTS FOR LZ-2284C-7 (5)

No.	Parts No.	Parts name	Remarks	Level	Cons	Qty
1	E9608603000	STICKER (MIDDLE)	AT THE TIME OF DELIVERY OF COMPLETE SET WITH TABLE STAND ONLY.			1
2	GPK710010A0	2-PEDAL ASM., 71	FOR JT-Z71B			1
3	GPK700010A0	3-JOINT PEDAL, 70	FOR JT-Z71A			1
4	40005531	TABLE				1
5	SL6040892TN	BOLT	AT THE TIME OF DELIVERY OF COMPLETE SET WITH TABLE STAND ONLY.			8
6	11155751	CASE ASM. B				1
7	11155801	CASE MAGNET				1
8	11156007	CASE				1
9	SK3382001SC	WOOD SCREW D=3.8 L=20				4
10	11076007	FRAME RUBBER CUSHION				1
11	11075801	RUBBER SPACER				2
12	B8210012000	CUSHION SET NAIL				2
13	B8210012000	CUSHION SET NAIL				4
14	D8226555E00	FRAME RUBBER CUSHION A				1
15	GAW02560000	BED FIXING RUBBER				1
16	GAW02561000	BED FIXING RUBBER PRESSER				1
17	SK1413200SC	WOOD SCREW D=4.1 L=32				2
18	40005532	TABLE SUPPORT				1
19	13155064	REPUTATION PLATE BOLT ASM.				1
20	13155056	BOLT SET A		*		4
21	WS1002560KR	SPRING WASHER 10X18X2.5		*		4
22	NS6240630SE	NUT 3/8-18		*		4
23	13155007	HOLDING PLATE BOLT		*		4
24	WP1002036SE	WASHER 10X21X2		*		4
25	40005533	OIL RESERVOIR HOLDER ASM.				2
26	40005534	OIL RESERVOIR HOLDER		*		2
27	D8226555E00	FRAME RUBBER CUSHION A		*		2
28	SM0060801SA	SCREW				4

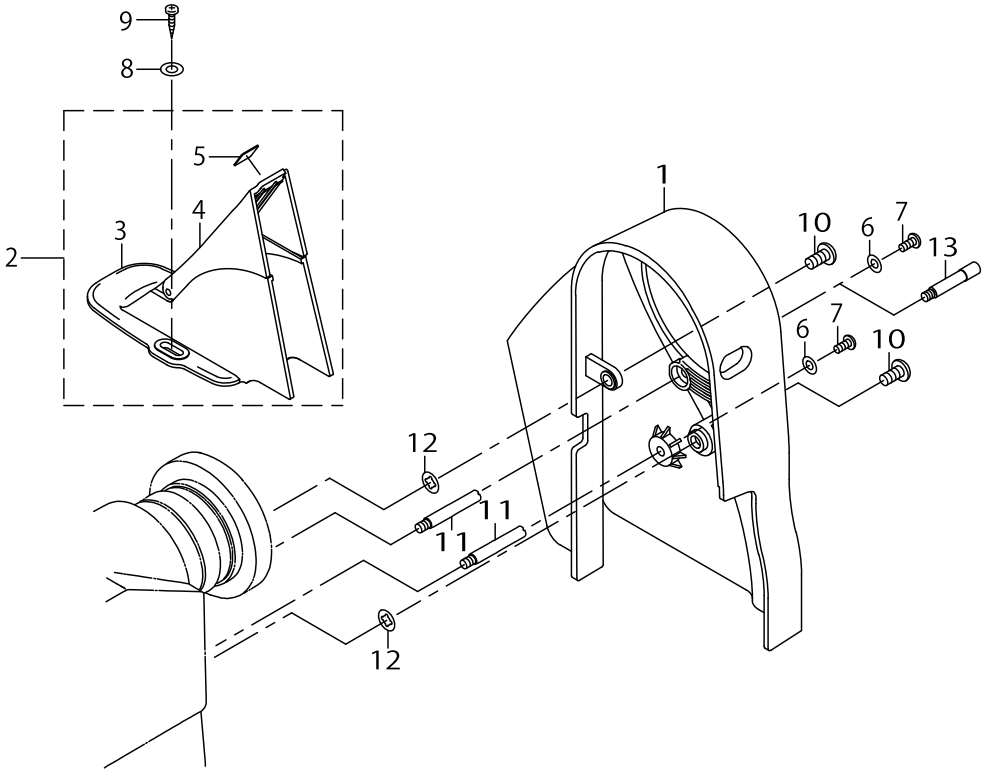
EXCLUSIVE PARTS FOR LZ-2284C-7 (6) (ACCESSORIES PARTS COMPONENTS)



EXCLUSIVE PARTS FOR LZ-2284C-7 (6) (ACCESSORIES PARTS COMPONENTS)

No.	Parts No.	Parts name	Remarks	Level	Cons	Qty
1	40005520	OIL RESERVOIR ASM.				1
2	40005521	OIL RESERVOIR		*		1
3	RO098240100	RUBBER RING		*		1
4	SM0081001SD	SCREW		*		1
5	10038107	OIL RESERVOIR GASKET		*		1
6	11047107	RUBBER CUSHION		*		1
7	B1116210D00	FRAME SUPPORT RUBBER		*		1
8	NM6060001SE	NUT M6		*		2
9	SM8063012TR	SCREW M6 L=30		*		2
10	11024015	CONNECTING ROT, VERTICAL		*		1
11	SM9061853SR	SCREW M6 L=17.5		*		1
12	SM9062053SR	SCREW M6 L=20		*		2
13	11024510	BRACKET		*		1
14	RE1000000K0	E-RING 10		*		1
15	11024205	KNEE PRESS ROD		*		1
16	11024106	SPRING		*		1
17	40005523	FRAME SUPPORT RUBBER CUSHION A		*		1
18	40005524	FRAME SUPPORT RUBBER CUSHION B		*		1
19	SL6040892TN	BOLT				8
20	E9608603000	STICKER (MIDDLE)				1

EXCLUSIVE PARTS FOR LZ-2284C-7 (7)



EXCLUSIVE PARTS FOR LZ-2284C-7 (7)

No.	Parts No.	Parts name	Remarks	Level	Cons	Qty
1	26319400	BELT COVER A				1
2	26319558	BELT COVER B (COMPL.)				1
3	26319509	BELT COVER B		*		1
4	26319608	BELT COVER C		*		1
5	26319806	VIBROISOLATING RUBBER		*		1
6	WP0450801SD	WASHER 4.5X10X0.8				2
7	SS4110915SP	SCREW 11/64-40 L=9				2
8	WP0450826SC	WASHER 4.5X10X0.8				2
9	SK3412001SE	WOOD SCREW D=4.1 L=20				2
10	SS4151215SP	SCREW 15/64-28 L=12				2
11	10039105	BELT COVER SUPPORT STUD				2
12	22535603	WASHER				2
13	22535454	SYNCHRONIZER SUPPORT ASM.	SPECIAL ORDER PARTS			1

LIST FOR INFORMATION OF CHANGE

As to the place changed, refer to the corresponding Rev.No.
 When previous parts(Obsoleted part)and new parts(Added parts)are
 not interchangeable with each other:
 In this case,even obsoleted parts(D.)can be ordered with the
 obsoleted part number,so select the parts with changed dates and
 place your orders.

変更箇所は、該当Rev.No.版をご参照ください。
 部品の互換性がない変更の場合は、削除された品番でも、ご注文できます。

29284106
 No.1160-13・・・Rev.No.

*A:Added parts追加部品/D:Obsoleted parts削除部品/E:Erratum訂正

* Rev. No.	Page 頁	Ref. No.	Parts No. 品番	* Rev. No.	Page 頁	Ref. No.	Parts No. 品番
D 12	4	18	SS-4110515-SP	A 13	4	18	SS-4110615-SP
D 12	4	31	CM-3002001-01				
D 12	4	32	CM-3002001-A1				
				A 13	8	43	400-70532
				A 13	8	54	SS-4110615-SP
D 12	8	56	SS-4110915-SP				
				A 13	14	49	400-70531
				A 13	18	24	100-26763
D 12	22	6	225-31909	A 13	22	6	400-70261
D 12	22	7	263-12009				
D 12	22	18	263-04600				
D 12	22	28	SS-4110715-SP	A 13	22	28	SS-4110615-SP
				A 13	22	35	400-70259
D 12	22	36	SQ-1150451-MZ				
D 12	22	38	SS-4110515-SP	A 13	22	62	SS-4110615-SP
D 12	22	55	225-32550	A 13	22	55	400-69742
D 12	22	56	225-32501	A 13	22	56	400-69741
D 12	22	57	400-31829				
D 12	22	60	400-32448	A 13	22	59	106-23601
D 12	22	63	SS-7111410-TP				
D 12	48	52	101-20004	A 13	48	52	400-23289
D 12	54	19	263-13957	A 13	54	19	400-78331
D 12	54	20	263-14203	A 13	54	20	400-78335
D 12	54	22	RE-0500000-KO	A 13	54	22	RE-0400000-KO
D 12	54	25	263-14302	A 13	54	25	400-78336
D 12	54	26	263-14054	A 13	54	26	400-78333
D 12	54	27	263-14005	A 13	54	27	400-78334
D 12	54	30	263-13908	A 13	54	30	400-78332
D 12	60	8	100-29957				
D 12	60	9	100-29452				
D 12	60	10	SS-6121030-SP				

HOW TO MAKE USE OF THIS PARTS LIST

1.Explanation of codes

1)"*"mark.....means this part is changed from the previous parts book.

As to the details of the change, refer to the "List for information of change".

2)"#01".....refer to "Note" explanation at bottom of page.

2.Codes on the "Qty" column

- Each numeral indicates the number of parts required.
- "0.1" and "2.5" indicate the length (in meters) of the respective parts.

3.Parentheses mean that the corresponding part is a subpart that constructs an assembly part.

4.Dotted lines on the Figures indicate assembly parts.

1."注記"欄の記号説明

1) "*"印.....前回のパーツブックに比較して今回変更された部品を意味します。

変更内容は、"変更情報リスト"を参照してください。

2) "#01".....ページ下の"注記"の説明を参照してください。

2.数量欄の数字は、個数を表し、0.1、2.5等の数値は、長さ（単位メートル）を表します。

3.数量欄の（ ）は、組部品を構成している子部品であることを意味します。

4.イラストページの-----枠は、組構成であることを意味します。

NUMERICAL INDEX OF PARTS

PART NO	PAGE	REF NO.	PART NO	PAGE	REF NO.	PART NO	PAGE	REF NO.
1000206	2	15	10016418	92	36~39	10030401	32	62
10001709	2	17	10016517	16	6	10030609	32	47~50
10005668	4	53	10016517	60	32~35	10030708	32	47~50
10006005	4	55	10016517	70	9~12	10030807	32	47~50
10006104	4	52	10016517	92	36~39	10030906	32	47~50
10007854	4	56	10017168	16	10	10031003	32	58
10008506	10	14	10017168	60	37	10031615	30	19
10008753	10	16	10017168	70	13	10031714	30	20
10011005	14	25~ 28·45	10017168	92	41	10031805	6	21
10011104	14	25~ 28·45	10017408	16	14	10031904	6	22
10011203	14	25~ 28·45	10017408	70	14	10032001	6	23
10011302	14	25~ 28·45	10017408	94	48	10033009	30	10
10012201	14	30	10017606	16	15	10033009	100	51
10012417	14	31	10017606	60	43	10033108	30	12
10012516	14	32	10017606	70	15	10033108	98	46
10012607	14	12~15	10017606	94	49	10035004	34	12
10012706	14	12~15	10017705	16	45	10035111	34	11
10012805	14	12~15	10018000	16	11	10035301	34	8
10012904	14	12~15	10018000	60	39	10035509	66	61
10013019	12	61	10018000	70	16	10037109	34	16
10013118	12	62	10018000	92	43	10037307	6	31
10013407	12	67	10018109	16	12	10037406	6	12
10014009	14	25~ 28·45	10018109	60	40	10038107	54	3
10015105	16	44	10018109	70	17	10038107	112	5
10015360	16	13	10018109	92	44	10039105	52	11
10015360	60	41	10021004	56	30	10039105	114	11
10015360	70	8	10021103	22	53	10043412	56	5
10015360	92	45	10021103	58	46	10043461	66	58
10015907	16	30	10021103	76	77	10044014	56	13
10015907	70	43	10021103	92	11	10044014	60	12
10015907	92	22	10021202	20	48	10044105	56	14
10016210	16	7	10021202	22	48	10044105	60	13
10016210	60	32~35	10021202	68	17	10045060	68	11
10016210	70	9~12	10022010	20	17	10053007	76	58~ 61·81
10016210	92	36~39	10022606	20	28	10053106	76	58~ 61·81
10016319	16	8	10025906	86	39	10053205	76	58~ 61·81
10016319	60	32~35	10025906	98	28	10053304	76	58~ 61·81
10016319	70	9~12	10026201	26	10	10053908	76	58~ 61·81
10016319	92	36~39	10026706	26	26	10054112	60	23
10016418	16	9	10026763	26	24	10055002	56	29
10016418	60	32~35	10026904	26	37	10055051	74	3
10016418	70	9~12	10027100	26	44	10055051	92	6
			10027407	28	48			
			10027506	28	47			
			10029304	28	57			

NUMERICAL INDEX OF PARTS

PART NO	PAGE	REF NO.	PART NO	PAGE	REF NO.	PART NO	PAGE	REF NO.
10055069	56	28	11041407	40	72	13155007	110	23
10056109	56	31	11043601	2	21	13155056	110	20
10061554	60	2	11044054	6	14	13155064	110	19
10062701	64	17	11047107	54	4	13521000	104	17
10062800	64	18	11047107	112	6	13705603	40	58
10063204	64	19	11071602	20	19	13729702	30	36
10063303	64	20	11071701	20	20	14118152	106	2
10063402	64	21	11071909	68	23	14118152	108	2
10063501	64	22	11072402	8	37	14118251	106	4
10063600	64	23	11072501	44	10	14118251	108	4
10063808	64	30	11075801	110	11	16194300	40	63
10064004	64	31	11076007	110	10	16965105	78	23
10064103	64	32	11079506	32	51	19800903	30	39
10064202	64	33	11093606	8	38	19801000	30	40
10064301	64	34	11093606	102	21	19801109	30	42
10064400	64	35	11100500	24	24	19801208	30	43
10064608	64	36	11101003	44	25	19801307	30	41
10064905	64	37	11101003	96	5	19801406	30	44
10065001	64	38	11102001	44	5	19801505	30	45
10065209	66	63	11102100	44	6	19801604	30	46
10100410	6	4	11102209	44	7	22501209	2	2
10100410	104	9	11102308	44	9	22501506	2	4
10208601	46	4	11102308	78	36	22501605	2	5
10208700	46	10	11102605	96	6	22501704	2	6
10208858	46	8	11110301	46	18	22501704	40	57
10502300	8	32	11110806	46	22	22501704	88	31
10565406	78	31	11155751	110	6	22502108	2	8
10604809	10	41	11155801	110	7	22502504	4	13-73
10623601	36	59	11156007	110	8	22502702	2	11
11000619	2	19	11158516	106	6	22503353	98	8
11008802	80	55	11158516	108	6	22503908	86	38
11015906	30	33	11158607	106	12	22503908	98	29
11024015	54	5	11158607	108	12	22504104	2	10
11024015	112	10	11158706	106	22	22505200	10	3
11024106	54	8	11158805	106	23	22505259	10	2
11024106	112	16	11158904	106	27	22505507	10	25
11024205	54	7	11159001	106	24	22505705	10	17
11024205	112	15	11162104	98	42-43	22506109	10	9-71
11024510	54	6	11214806	86	28	22506208	12	9-71
11024510	112	13	11234408	42	12	22507156	10	42
11030202	96	18	11234507	42	13	22507404	12	76
11030301	4	46	11384302	80	54	22507503	12	77
11032562	10	40	11387503	78	41	22507701	12	75
11040854	40	70	11960853	98	39	22507701	98	44
11041308	40	71	12308300	88	15	22507818	12	74

NUMERICAL INDEX OF PARTS

PART NO	PAGE	REF NO.	PART NO	PAGE	REF NO.	PART NO	PAGE	REF NO.
22508006	12	46	22527006	88	46~50	22540769	68	1
22509202	12	60	22527105	56	9~12	22541106	68	21
22509756	14	1	22527105	60	8~11	22542500	68	6
22510002	14	21	22527105	88	46~50	22542559	68	5
22510051	14	20	22527204	56	9~12	22542708	4	67·75
22510101	14	22	22527204	60	8~11	22544159	44	2
22510101	68	7	22527204	90	46~50	22544159	96	3
22510200	14	23	22527303	56	9~12	22545107	28	8·59·61
22510200	68	8	22527303	60	8~11	22545206	22	57
22512057	16	1	22527303	90	46~50	22545206	56	43
22512107	16	29	22528061	4	48	22545206	76	75
22512107	72	54	22528152	4	51	22545206	92	9
22512156	16	28	22528467	4	49	22545404	22	54
22512313	16	35	22528509	4	54	22545404	56	45
22512362	16	34	22528616	2	39	22545404	76	78
22512602	70	44	22528764	4	65	22545404	92	12
22512602	92	23	22529002	4	62	22546816	20	44
22518104	24	2	22529101	4	63	22546816	68	16
22519201	24	17	22529200	4	64	22547806	20	45
22519300	24	18	22529473	8	40	22547913	20	3
22519607	26	2	22529481	8	36	22547954	20	2
22519805	24	20	22531552	34	4	22547970	20	1
22519904	26	5	22534010	54	2	22548010	6	33·36
22520001	26	6	22534101	54	17	22548010	68	18
22520001	86	10	22535454	52	13	22548010	86	32·33
22524151	30	37	22535454	114	13	22548119	26	8·59·61
22524169	30	35	22535603	52	12	22548119	68	19
22524805	32	59·60	22535603	114	12	22548119	86	15·37
22525059	30	1~6	22535801	98	1	22548614	20	43
22525257	30	1~6	22535900	98	3	22548655	20	42
22525406	98	24	22536403	4	74	22548671	20	41
22525455	98	23	22536403	98	4	22548671	68	15
22525752	30	1~6	22536502	56	38	22548671	86	30·31
22525877	30	1~6	22536502	66	72	22548705	6	33·36
22525919	30	8	22536502	68	30	22548705	86	32·33
22525919	100	49	22536502	74	9	22548804	28	8·59·61
22525968	30	7	22536502	88	37	22548804	86	15·37
22526008	30	13	22536502	98	5	22548903	22	58
22526008	98	47	22538706	8	34	22548960	22	52
22526206	30	59·60	22538805	8	28	22548960	86	30·31
22526206	32	59·60	22540009	68	14	22550602	50	1
22526578	30	1~6	22540108	68	32	22551550	10	34
22526677	30	1~6	22540207	68	22	22551568	10	33
22527006	56	9~12	22540454	68	24	22552400	6	13
22527006	60	8~11	22540710	68	2	22552756	40	54

NUMERICAL INDEX OF PARTS

PART NO	PAGE	REF NO.	PART NO	PAGE	REF NO.	PART NO	PAGE	REF NO.
22552764	40	51	22561757	46	1	22570501	74	37~40
22552806	40	52	22561807	46	3	22570600	74	37~40
22552905	40	53	22561856	46	2	22570758	74	41
22554158	38	1	22561906	46	7	22570907	74	42
22554356	38	2	22561955	46	6	22571004	76	49
22554505	38	3	22562052	46	15	22571103	74	28~31
22554604	38	4	22562102	46	16	22571202	74	28~31
22554703	38	5	22562201	46	17	22571301	74	28~31
22554802	38	6	22564157	42	1	22571400	74	28~31
22554901	38	7	22564256	42	2	22571509	74	43
22555007	38	8	22564454	42	3	22571608	74	44
22555106	38	9	22564702	42	4	22571707	74	45
22555205	38	10	22564801	42	5	22571806	74	46
22555304	38	11	22564959	42	29	22571905	74	47
22555403	98	21	22565105	42	30	22572002	76	50~53
22555551	40	66	22565204	42	6	22572101	76	50~53
22555858	38	30	22565303	42	7	22572200	76	50~53
22556054	98	11	22565402	42	8	22572309	76	50~53
22556153	98	20	22565501	42	9	22572457	76	48
22556302	98	12	22565659	42	10	22572853	70	1
22556450	98	13	22565857	42	11	22572903	70	3
22556609	98	14	22566152	42	31	22573018	70	36
22556708	98	15	22566301	42	36	22573174	70	35
22556807	98	16	22567903	72	48	22573182	70	34
22556906	40	67	22568000	72	49	22573208	70	40
22557003	40	68	22568109	70	45	22573208	92	19
22557458	38	12	22568208	70	46	22573257	70	39
22557557	38	15	22568356	70	38	22573257	92	18
22557706	38	16	22568356	92	17	22573307	70	4
22557805	38	17	22568851	74	17~27	22573505	70	6
22557904	38	18	22568950	74	17~27	22573505	94	51
22558001	38	21	22569057	74	17~27	22573901	76	57
22558100	38	22	22569156	74	17~27	22574107	74	6
22558159	38	20	22569255	74	17~27	22574156	74	5
22558209	38	19	22569354	74	17~27	22574255	74	8
22558308	38	13	22569453	74	17~27	22580302	56	34
22558407	38	14	22569552	74	17~27	22580302	68	12
22558506	40	65	22569651	74	17~27	22580302	74	4
22559058	44	1	22569750	74	17~27	22580302	92	7
22559058	96	2	22569859	74	17~27	22580369	68	10
22559850	44	3	22570006	74	34	22580864	56	27
22559850	96	4	22570105	74	35	22580864	74	2
22559900	44	4	22570204	74	36	22580864	92	5
22561559	96	1	22570303	74	37~40	22581508	56	35
22561708	46	11	22570402	74	37~40	22581508	76	73

NUMERICAL INDEX OF PARTS

PART NO	PAGE	REF NO.	PART NO	PAGE	REF NO.	PART NO	PAGE	REF NO.
22581508	86	36	22904155	10	32	23501356	86	4
22581508	90	52	22907109	20	22	23501406	86	5
22582407	56	1	22907406	20	21·34	23501513	86	27
22582407	68	13	22907406	102	35	23501604	86	19
22582407	74	1	22907554	20	18	23501703	86	18
22582407	86	35	22907703	22	59	23501802	86	17
22582407	90	51	22907802	20	23	23501901	86	13
22584908	56	44	22908305	20	13	23502008	86	1
22584908	76	76	22908909	20	12	23502107	86	2
22584908	92	10	22912000	24	26	23502651	54	1
22584965	56	42	22912109	24	27	23502958	100	53·54
22584965	76	74	22913008	12	64	23503006	100	60·61
22584965	92	8	22913156	86	21	23503154	86	34
22585400	56	2	22913206	86	24	23503162	86	41
22585509	60	5	22916506	30	32	23503303	32	64
22585657	88	44	22917058	34	40	23503402	30	21
22585707	56	7	22924906	34	20	23503501	30	9
22585707	60	7	22930309	48	14	23503501	100	50
22585806	56	4	22930358	48	1	23503659	100	53·54
22585855	56	3	22930408	48	10	23503709	100	58
22585855	60	6	22930507	48	9	23503808	100	59
22586200	60	46	22930556	48	15	23503907	100	60·61
22586226	56	24	22930705	48	7	23504004	100	62
22586226	92	3	22930804	48	5	23504103	100	55
22586275	56	23	22930903	48	4	23504301	100	56
22586705	98	2	22931000	48	3	23504400	100	57
22590061	60	45	22931109	48	2	23504657	100	63
22590301	64	26	22931307	48	11	23505605	82	2
22590400	64	28	22931406	48	8	23505654	82	1
22590509	64	29	22934202	54	21	23505829	78	5
22590806	66	60	22934251	54	20	23505910	82	6
22590855	66	59	22934301	54	25	23506009	78	13
22591101	64	15	22934400	54	24	23506108	78	9
22591408	64	5	22934509	54	22	23506314	78	11
22591564	64	1	22934608	54	23	23506405	78	15
22591663	64	14	22947006	2	20	23506504	78	28
22592505	60	1	22955504	46	23	23506603	78	17
22592604	60	25	22955900	46	19	23506702	78	21
22592653	60	22	22956007	46	20	23506801	78	24
22592802	60	47	22956205	46	21	23507056	78	30
22593107	66	70	22957104	46	24	23507155	78	32
22596704	32	56	22957203	46	25	23507262	78	34
22900401	2	18	22958300	2	13·73	23507551	78	40
22901300	6	9	23500978	2	3	23507700	78	43
22901805	6	28	23501307	86	7	23507809	78	45

NUMERICAL INDEX OF PARTS

PART NO	PAGE	REF NO.	PART NO	PAGE	REF NO.	PART NO	PAGE	REF NO.
23507908	78	47	23523152	98	45	26304501	34	19
23508005	80	49	23523202	100	52	26304758	2	1
23508104	80	51	23537202	32	65	26304907	6	1
23508203	80	53	23547557	4	50	26305003	6	3
23508252	78	29	26226407	24	23	26305052	6	2
23508302	80	57	26260406	8	5	26305102	2	7
23508450	80	59	26260505	8	6	26305300	2	9
23508500	80	61	26260802	8	9	26305409	2	14
23508609	80	65	26261206	8	13	26305516	10	6
23508757	80	66	26261305	8	14	26305904	12	65
23508906	78	3	26261602	8	16	26306001	12	66
23509003	78	1	26261701	8	17	26306506	16	2
23509169	82	3	26300103	6	7	26306704	16	41
23509466	82	4	26300202	10	13	26306803	16	33
23509706	82	8	26300301	10	15	26306951	16	36
23510050	82	9	26300400	12	47	26306951	56	25
23510159	82	10	26300509	26	36	26306951	68	3
23510308	82	12	26300608	14	29	26307108	16	39
23510407	82	15	26300913	12	59	26307157	16	38
23510506	82	16	26300962	12	58	26307207	16	40
23512015	82	28	26301002	14	33~36	26307306	16	3
23512106	82	34	26301101	14	33~36	26307306	60	27
23512155	82	33	26301200	14	33~36	26307306	70	7
23512163	82	32	26301309	14	33~36	26307306	92	31
23512205	82	35	26301408	12	68	26307405	14	3~6
23512304	82	38	26301507	16	5	26307504	14	3~6
23512569	82	29	26301507	60	26	26307603	14	3~6
23512601	82	30	26301507	92	30	26307702	14	3~6
23512817	80	70	26302000	24	16	26307850	20	9
23512908	84	64	26302208	10	1	26308007	20	10
23513062	84	65	26302307	14	11	26308205	24	3
23513161	84	66	26302703	16	4	26308353	24	4
23513302	80	71	26302901	22	51	26308403	24	5
23513401	78	7	26303107	26	12	26308502	24	7
23516206	4	67·75	26303107	86	12	26308551	24	6
23518822	88	35	26303206	26	43	26308601	24	8
23519804	90	55	26303404	26	46	26308700	24	9
23521057	92	24	26303503	28	49	26308809	24	10
23521107	92	29	26303602	24	39	26308809	82	26
23521255	92	2	26303701	28	51	26308908	24	11
23521263	92	1	26303800	30	38	26309005	24	12
23521305	94	53	26303909	32	57	26309104	26	1
23521404	92	15	26304006	32	61	26309351	26	7
23522550	98	9	26304303	30	18	26309609	32	52
23523004	98	10	26304402	10	18	26309708	32	53

NUMERICAL INDEX OF PARTS

PART NO	PAGE	REF NO.	PART NO	PAGE	REF NO.	PART NO	PAGE	REF NO.
26311902	34	5	40005484	102	1	40010305	32	54
26312306	70	5	40005485	102	2	40010319	26	45
26312405	76	56	40005487	102	5	40020337	34	41
26312405	88	33	40005488	102	6	40020338	34	45
26312504	2	40	40005489	102	7	40020341	36	51
26312702	88	10	40005490	102	8	40020342	34	42
26312751	88	1	40005491	102	9	40020343	34	43
26312801	88	13	40005492	102	29	40020344	34	44
26312900	88	9	40005493	102	10	40020345	34	46
26313007	88	2~5	40005494	102	11	40020346	36	47
26313106	88	2~5	40005496	104	33	40021933	8	12
26313205	88	2~5	40005497	104	34	40023289	80	52
26313304	88	2~5	40005498	104	35	40026730	8	7
26313403	88	8	40005499	104	36	40026745	8	24
26313502	88	6	40005500	104	37	40031418	26	3
26313700	88	39	40005503	104	20	40031628	8	3
26314104	88	24	40005504	104	21	40031629	8	10
26314401	88	34	40005505	102	4	40031630	8	11
26314500	26	34	40005506	104	25	40031631	8	27
26314708	6	10	40005507	104	3	40031633	8	8
26314757	6	8	40005508	104	2	40032138	8	4
26314906	26	32	40005512	104	4	40032271	28	53
26315150	34	1	40005515	104	32	40034904	8	2
26315200	34	2	40005516	102	30	40034919	8	26
26315309	90	53	40005517	102	28	40034920	8	1
26315408	34	10	40005520	112	1	40035544	34	3
26319004	92	25	40005521	112	2	40035702	26	9
26319103	70	2	40005523	112	17	40040372	10	10
26319400	52	1	40005524	112	18	40043050	30	16
26319400	114	1	40005530	106	1	40043051	30	17
26319509	52	3	40005531	110	4	40043054	104	18
26319509	114	3	40005532	110	18	40043055	104	19
26319558	52	2	40005533	110	25	40043720	8	25
26319558	114	2	40005534	110	26	40043912	28	50
26319608	52	4	40005535	106	8	40044872	10	7
26319608	114	4	40005535	108	8	40050457	28	52
26319806	52	5	40005536	106	9	40055832	26	11
26319806	114	5	40005536	108	9	40056375	14	7
29141900	96	17	40005537	108	1	40056376	14	8
40005477	104	7	40005538	106	10	40056754	24	1
40005478	104	8	40005538	108	10	40056873	12	44
40005480	104	11	40005539	106	11	40057280	82	5
40005481	104	12	40005539	108	11	40064313	88	40~43
40005482	104	14	40009373	34	21	40064314	88	40~43
40005483	104	15	40010276	68	25	40064315	88	40~43

NUMERICAL INDEX OF PARTS

PART NO	PAGE	REF NO.	PART NO	PAGE	REF NO.	PART NO	PAGE	REF NO.
40064316	88	40~43	B1604141H00	26	33	B3414555000	20	14
40064317	90	58~60	B1608555000	68	27	B3416552000	20	16
40064319	90	58~60	B16085550A0	68	26	B3416555000	20	15
40064320	90	58~60	B1609804A00	26	38~42	B3421555000	54	18
40065490	14	2	B1609804B00	26	38~42	B3431581000	20	25
40069741	36	56	B1609804C00	26	38~42	B3523980000	104	6
40069742	36	55	B1609804D00	26	38~42	B3524552000	34	13
40070259	34	35	B1609804E00	26	38~42	B3525357000	104	28
40070260	34	39	B1637560000	88	17	B3527552000	66	62
40070261	34	6	B1646555000	28	54	B3527552000	74	7
40070262	34	37	B1810552000	10	19	B3534012000	104	29
40070531	22	49	B1905541A00	12	48~51	B3534155000	34	15
40070532	10	43	B1905541B00	12	48~51	B3536122000	104	30
40078331	88	19	B1905541C00	12	48~51	B3538112000	34	17
40078332	88	30	B1905541D00	12	48~51	B3538112000	78	38
40078333	88	26	B2024771000	42	17	B3538112000	82	13
40078334	88	27	B2034372000	42	16	B3541012000	102	20
40078335	88	20	B250228000A	64	39~42	B3554481000	66	64
40078336	88	25	B250228000B	64	39~42	B4011210000	78	35
A321600100A	8	15	B250228000C	64	39~42	B8101210AAB	106	3
B1115850000	54	9	B250228000D	64	39~42	B8101210AAB	108	3
B1116210D00	112	7	B2502280B0A	56	15~19	B8105210AAA	106	5
B1203227000A	10	11	B2502280B0A	60	14~18	B8105210AAA	108	5
B1208552000A	10	12	B2502280B0B	56	15~19	B81085550A0	106	14
B1213372000	44	17	B2502280B0B	60	14~18	B81085550A0	108	14
B1213372000	96	7	B2502280B0C	56	15~19	B8112552000	106	13
B1214038000	34	14	B2502280B0C	60	14~18	B8112552000	108	13
B13071550A0	30	34	B2502280B0D	56	15~19	B8131019000	98	38
B13081550A0	32	55	B2502280B0D	60	14~18	B8133019000	98	37
B1430761000	70	18	B2502280B0E	56	15~19	B8210012000	110	13
B1430761000	94	52	B2502280B0E	60	14~18	B8226WP1000	102	13
B150522700A	98	42-43	B2508704000	24	25	B8228125000	54	19
B1505227T00A	20	21-34	B2560372000	42	14	B9101490000	98	22
B1516552000	20	11	B2561205000A	102	25	B9113012000	64	27
B1517552000	20	26	B25792290A0	80	74	B9140372000	74	10
B1521555000	20	24	B2608761000	16	16	BT0500300EA	34	58
B1523226000	20	27	B2608761000	70	20	BT0500300EA	36	58
B1525582000	20	55	B2608761000	92	47	CM300200002	4	76
B1525582000	22	55	B2626372000	42	15	CM300200002	6	35
B1525582000	56	47	B3116125000	4	59	CM301300001	6	34
B1525582000	58	47	B3120125000	4	61	CM600100101	6	32
B1525582000	76	79	B3121352000	4	57-58	CQ202000000	12	70
B1525582000	92	13	B3129012A00	4	57-58	CQ202000000	34	54
B1536804000	102	27	B3208280000	82	11	CQ202000000	36	54
B1551586000	98	6	B3214047000	8	39	CQ303000000	66	69

NUMERICAL INDEX OF PARTS

PART NO	PAGE	REF NO.	PART NO	PAGE	REF NO.	PART NO	PAGE	REF NO.
CQ500600000	66	68	GAW02560000	110	15	M6094350AAL	72	58·59
CS0640863SH	42	28	GAW02561000	110	16	M6094350AAL	90	56·57
CS0800911TH	78	19	GPK700010A0	110	3	M8501429AA0	84	63
CS095101BSH	40	49	GPK710010A0	110	2	M8502429AA0	82	43
CS1031210SH	14	40	GPR01015000	2	36	M8503429AA0	82	44
CS1031210SH	24	32	GRF010000B0	98	30	M8504429AA0A	82	42
CS1031210SH	64	52	GRF01001000	98	31	M8505429AA0	84	45
CS1031210SH	66	52	HA00044000A	80	67	M8601429AA0A	84	47
CS103121BSH	14	41	HA000590000	46	27	MAB109000A0	56	40
CS1111010SH	26	21	HA001900000	44	8	MAB109000B0	56	39
CS1111010SH	104	41	HC018201020	84	48~59	MAM097000A0	62	52
CS1111019SH	26	22	HC018204700	84	48~59	MAM09700BA0	62	53
CS1111019SH	104	42	HC036413320	84	48~59	MAO11602N00	82	17
CS1401113TH	74	62	HC055711040	84	48~59	MAT02106000	70	21
CS1401113TH	76	62	HF0041020P0	84	48~59	MAT80117S00	98	36
CS1470710SH	86	25	HF0041050S0	84	48~59	MC192300750	12	52·72·73
D1501583H00	98	40	HF0078016P0	84	46	MC1923F0800	60	4
D1502583H00	98	41	HG005640000	84	48~59	MC2005F0700	12	52·72·73
D2056772B0B	38	29	HK00443002A	40	50	MDP500B1000	12	52·72·73
D2107490D00	46	9	HK01650004A	84	48~59	NM60300000E	36	50
D2107555B00	40	69	HK034610140	40	61	NM6030001SC	40	55
D2112555B00	2	45	HK03464000B	44	11	NM6040001SN	40	56
D2467555B00	40	62	HK03464000B	46	26	NM6040003SC	102	12
D2467555B00	96	8	HL003880000	84	48~59	NM6050001SE	48	17
D2468555B00	24	21	HL017120000	84	48~59	NM6060001SE	54	12
D2468555B00	44	16	HR022301010	84	48~59	NM6060001SE	66	50
D2468555B00	96	9	HT002310000	84	48~59	NM6060001SE	82	19
D2515232D00	24	22	HW200390000	46	29	NM6060001SE	112	8
D3162555B00	8	30	HW500070000	44	12	NM6080001SE	106	28
D7117555BA0	82	14	HW500070000	46	28	NM6080001SE	108	20
D8113555B00	106	25	HX00123000A	42	37	NM6080721SE	82	18
D8115555B00	106	26	M2001429AA0	84	60~62	NM6160511SE	48	18
D8226555E00	110	27	M2001429BA0	84	60~62	NP210300000	38	25
D8308205K0A	106	7	M2001429CA0	84	60~62	NS6080340SP	42	24
D8308205K0A	108	7	M40071100AA	10	36	NS6090310SP	80	64
E9608603000	110	1	M40071100AB	10	35	NS6110310SP	8	41
E9608603000	112	20	M6093350AAF	6	20·27·37	NS6110310SP	36	60
EA9500B0100	36	53	M6093350AAL	6	20·27·37	NS6110310SP	46	39
EA9500B0100	38	31	M6093350AAL	68	20·31	NS6110310SP	102	26
EA9500B0100	104	5	M6093350AAS	6	20·27·37	NS6110360SP	82	22
EA9502B0200	2	44	M6093350AAS	68	20·31	NS6110420SP	98	35
G5514116000	106	15	M6094350AAF	56	36·37	NS6120310SP	24	38
G5514116000	108	15	M6094350AAF	72	58·59	NS6120310SP	26	14
GAK33041000	20	29	M6094350AAF	90	56·57	NS6120310SP	42	26
GAK33042000	20	30	M6094350AAL	56	36·37	NS6150310SP	16	23

NUMERICAL INDEX OF PARTS

PART NO	PAGE	REF NO.	PART NO	PAGE	REF NO.	PART NO	PAGE	REF NO.
NS6150310SP	34	31	RE0400000K0	96	11	SD0791503SP	38	41
NS6150310SP	38	42	RE0500000K0	20	31	SD0791503SP	44	22
NS6150310SP	44	23	RE0500000K0	38	40	SD0791503SP	96	13
NS6150310SP	60	36	RE0600000K0	20	38	SD0800402TP	16	27
NS6150310SP	70	23	RE0600000K0	38	43	SD0800402TP	70	27
NS6150310SP	92	40	RE0900000K0	42	19	SD0800402TP	92	26
NS6150310SP	96	10	RE1000000K0	54	16	SD0900701TP	28	62
NS6150430SP	38	38	RE1000000K0	112	14	SE4301031SR	36	52
NS6150430SP	64	48	RE1200000K0	44	20	SK1413200SC	110	17
NS6150430SP	66	48	RE1200000K0	96	12	SK3382001SC	110	9
NS6240630SE	110	22	RO029180100	10	20	SK3412001SE	52	9
NS6620310SP	20	37	RO029180100	36	63	SK3412001SE	114	9
NS6680320SP	68	29	RO029180100	88	23	SL4030881SF	42	32
NS6680410SP	26	27	RO036080200	32	63	SL4031691SC	82	20
NS6700320SP	6	5	RO037180100	20	35	SL4032591SC	80	68
NS6700420SP	104	10	RO044240100	10	27	SL4040681SC	102	17
PH0300085S0	88	28	RO048190100	10	28	SL6040892TN	110	5
PS0300182KF	40	64	RO069180100	14	39	SL6040892TN	112	19
PS0400252KP	12	63	RO074240100	24	36	SL9061291SE	106	29
RC0100001KP	14	19	RO098240100	54	10	SL9082091SE	106	31
RC0100001KP	16	22	RO098240100	112	3	SL9082091SE	108	21
RC0100001KP	60	31	RO110090100	104	22	SM0060801SA	110	28
RC0100001KP	70	24	RO195240100	2	42	SM0081001SD	54	11
RC0100001KP	88	18	RO437200200	10	23	SM0081001SD	112	4
RC0100001KP	92	35	SB109530100	30	27	SM4030411SB	78	39
RC0330415KP	86	29	SB117000100	86	6	SM4030411SB	82	21
RE0200000K0	16	24	SB120000100	10	4	SM4030601SN	46	33
RE0200000K0	60	38	SD0460182SP	102	31	SM4031001SC	36	48
RE0200000K0	70	25	SD0481451SP	42	23	SM4031501SC	44	15
RE0200000K0	92	42	SD0500251SP	80	63	SM4040601SB	38	36
RE0200000K0	102	22	SD0550212TP	102	23	SM4040655SP	44	13
RE0250000K0	38	35	SD0600271SP	46	38	SM4040855SP	80	62
RE0300000K0	26	20	SD0600291TP	38	34	SM4051405SE	48	12
RE0300000K0	42	20	SD0600321SP	24	37	SM5040655SN	8	21
RE0300000K0	86	9	SD0600321SP	26	13	SM5040655SN	102	14
RE0320000K0	46	12	SD0601051SP	64	45	SM6030602TP	98	25
RE0400000K0	8	19	SD0630275SP	20	36	SM6040802TP	78	26
RE0400000K0	16	25	SD0630301SP	20	32	SM6041002TP	78	56
RE0400000K0	38	59	SD0640231SP	78	44	SM6041002TP	80	56
RE0400000K0	40	59	SD0640241SP	42	21	SM6050802TN	78	4
RE0400000K0	44	19	SD0640751SP	2	29	SM6051200TP	104	39
RE0400000K0	60	42	SD0640851SP	78	46	SM6051202TP	78	27
RE0400000K0	70	26	SD0650321TP	46	31	SM6051402TP	76	65
RE0400000K0	88	22	SD0791331SP	82	36	SM6051402TP	80	69
RE0400000K0	92	46	SD0791501SP	104	1	SM6051402TP	88	12

NUMERICAL INDEX OF PARTS

PART NO	PAGE	REF NO.	PART NO	PAGE	REF NO.	PART NO	PAGE	REF NO.
SM6051602TP	70	28	SS2110920TP	102	33	SS4121015SP	70	47
SM6061610SC	48	6	SS2111010TP	38	47	SS4121015SP	80	72
SM8030412TP	8	18	SS3090520SP	46	14	SS4121215SP	6	25
SM8040412TP	8	23	SS4060310SP	82	31	SS4121415SP	2	26
SM8040502TP	78	42	SS4080320TP	78	10	SS4121415SP	72	55
SM8040502TP	92	16	SS4080620TP	26	35	SS4150915SP	38	32
SM8040510TP	104	40	SS4080620TP	30	30	SS4150915SP	44	18
SM8040802TP	44	14	SS4110515SP	34	32	SS4150915SP	96	15
SM8050412TP	88	14	SS4110515SP	40	60	SS4151215SP	52	10
SM8050500SP	104	26	SS4110615SP	6	18	SS4151215SP	114	10
SM8050502TP	8	22	SS4110615SP	12	54	SS5090610SP	78	14
SM8050610TP	104	38	SS4110615SP	34	62	SS5110710SP	26	30
SM8050612TP	76	66	SS4110615SP	36	62	SS5110710SP	62	54
SM8050612TP	86	16	SS4110715SP	24	15	SS5110740TP	78	2
SM8050612TP	88	11	SS4110715SP	34	23	SS6060210SP	6	11
SM8050812TP	14	17	SS4110715SP	82	40	SS6080320SP	16	37
SM8050812TP	78	37	SS4110815SP	78	48	SS6080320SP	56	26
SM8060602TP	104	24	SS4110815SP	80	48	SS6080320SP	62	48
SM8063012TR	54	13	SS4110915SP	2	71	SS6080320SP	68	4
SM8063012TR	112	9	SS4110915SP	4	71	SS6080320SP	70	37
SM9061003SC	82	23	SS4110915SP	6	26	SS6080320SP	92	4
SM9061203SE	54	26	SS4110915SP	12	56	SS6090420SP	98	18
SM9061853SR	54	14	SS4110915SP	30	31	SS6090520SP	16	26
SM9061853SR	112	11	SS4110915SP	38	39	SS6090520SP	60	44
SM9062053SR	54	15	SS4110915SP	52	7	SS6090520SP	70	29
SM9062053SR	112	12	SS4110915SP	66	65	SS6090520SP	94	50
SM9081423SE	82	24	SS4110915SP	104	13	SS6090540SP	4	68
SQ0000401MZ	104	27	SS4110915SP	114	7	SS6090540SP	42	33
SQ1110402MZ	34	34	SS4111015SP	6	15	SS6090620SP	8	33
SQ1150451MZ	6	6	SS4111415SP	34	18	SS6090620SP	16	19
SQ2060451MZ	34	36	SS4120615SP	2	35	SS6090620SP	60	28
SS1080510SP	78	8	SS4120615SP	24	34	SS6090620SP	70	30
SS1080620SP	104	23	SS4120615SP	40	73	SS6090620SP	92	32
SS1090510SP	38	27	SS4120615SP	42	25	SS6090810SP	20	56
SS1090510SP	98	17	SS4120615SP	44	24	SS6090810SP	22	56
SS1090930SP	10	31	SS4120615SP	46	37	SS6090810SP	56	48
SS1110640TP	102	16	SS4120615SP	66	71	SS6090810SP	58	48
SS1110840SP	2	27	SS4120615SP	96	14	SS6090810SP	76	80
SS1110840SP	104	16	SS4120915SP	2	41	SS6090810SP	92	14
SS2090710SP	2	33	SS4120915SP	16	46	SS6110510SP	62	50
SS2090810SP	6	17	SS4120915SP	26	17	SS6110610TP	102	15
SS2090840SP	78	6	SS4120915SP	42	18	SS6110810TP	90	46~50
SS2110920TP	14	24	SS4121015SP	2	47	SS6110820TP	86	8
SS2110920TP	38	46	SS4121015SP	4	47	SS6111010SP	62	49
SS2110920TP	68	9	SS4121015SP	42	38	SS6111040SP	46	36

NUMERICAL INDEX OF PARTS

PART NO	PAGE	REF NO.	PART NO	PAGE	REF NO.	PART NO	PAGE	REF NO.
SS6111052TP	26	31	SS7110840SP	50	2	SS8150822TP	30	26
SS6111052TP	88	32	SS7110910TP	26	29	SS8151150SP	10	21
SS6111140SP	26	58	SS7110910TP	60	24	SS8151550SP	10	37
SS6111140SP	28	58	SS7111110TP	22	50	SS8151720SP	20	39
SS6111140SP	34	25	SS7111110TP	64	11	SS8660340SP	78	20
SS6111210SP	10	38	SS7111120SP	56	6	SS8660410SP	14	43
SS6120940SP	102	3	SS7111120TP	104	44	SS8660530TP	34	27
SS6121030SN	8	35	SS7111410SP	58	49	SS8660610TP	8	29
SS6121210SP	66	67	SS7111410SP	62	55	SS8660610TP	10	30
SS6121610TP	24	40	SS7111410SP	66	51	SS8660610TP	14	37
SS6121610TP	26	28	SS7111410TP	68	34	SS8660610TP	56	20
SS6121610TP	68	28	SS7111410TP	88	36	SS8660610TP	60	19
SS6121840SP	24	28	SS7120710SP	82	7	SS8660610TP	66	57
SS6121860SP	24	35	SS7120910TP	50	5	SS8660610TP	76	63
SS6122030SP	78	16	SS7121410TP	14	9	SS8660610TP	88	45
SS6580752TP	4	69	SS7121410TP	24	33	SS8660810TP	14	44
SS6580752TP	26	16	SS7121410TP	26	55	SS8660810TP	26	25
SS6580752TP	64	16	SS7121410TP	28	55	SS8660810TP	30	29
SS6580752TP	86	14	SS7121410TP	86	26	SS8660810TP	56	21
SS6660710TP	26	23	SS7151120SP	10	22	SS8660810TP	60	20
SS6660710TP	30	24	SS7620750SP	18	48	SS8660970TP	14	38
SS6660710TP	40	48	SS7620750SP	24	30	SS8660970TP	56	22
SS6660710TP	74	69	SS7620750SP	72	53	SS8660970TP	60	21
SS6660710TP	76	69	SS7681650TP	10	26	SS8661012TP	76	70
SS6660710TP	104	43	SS8080410TP	64	24	SS9090610TP	14	18
SS7060310SP	12	57	SS8090670SP	4	60	SS9090610TP	42	34
SS7060310SP	38	24	SS8110410TP	24	13	SS9110620TP	42	35
SS7080410SP	2	28	SS8110422TP	30	14·15	SS9111010SP	82	39
SS7080520SP	12	53	SS8110422TP	56	8	SS9111013SP	82	27
SS7090410SP	2	43	SS8110422TP	62	56	SS9111510SP	98	32
SS7090410SP	16	42	SS8110422TP	76	68	SS9120910TP	80	73
SS7090410SP	70	41	SS8110422TP	100	48	SS9151740CP	76	71
SS7090410SP	92	20	SS8110510SP	34	9	SS9661120CP	66	54
SS7090610SP	16	31	SS8110520TP	30	14·15	ST9053511SR	106	32
SS7090610SP	38	44	SS8110520TP	102	34	ST9053511SR	108	22
SS7090710SP	98	19	SS8110750SP	4	66	TA0800504R0	2	22
SS7090910SP	98	7	SS8111010TP	64	25	TA0950806R0	6	19
SS7090910TP	12	45	SS8120740SP	12	69	TA0980502R0	74	13
SS7090910TP	16	47	SS8150510TP	20	40	TA1050504R0	2	23
SS7090910TP	20	33	SS8150510TP	26	19	TA1050504R0	74	11
SS7090910TP	88	29	SS8150710SP	14	42	TA1100604R0	2	38
SS7110540SP	42	27	SS8150710SP	28	60	TA1100604R0	88	16
SS7110710SP	104	31	SS8150710SP	30	25	TA1250705R0	2	72
SS7110740TP	86	20	SS8150710SP	34	22	TA1250705R0	4	72
SS7110840SP	8	31	SS8150710SP	86	3	TA1250804R0	102	37

NUMERICAL INDEX OF PARTS

PART NO	PAGE	REF NO.	PART NO	PAGE	REF NO.	PART NO	PAGE	REF NO.
TA1450302R0	102	19	WP0621016SH	38	37	WZ1052010KP	72	51
TA1470702R0	88	38	WP0621016SH	66	49	WZ1052010KP	92	34
TA1550902R0	74	14	WP0651056SD	2	31			
TA1750502R0	74	15	WP0820526SD	78	22			
TA1871602R0	60	3	WP0871602SE	106	30			
TA2101002R0	102	36	WP0871602SE	108	19			
TA2200502R0	74	16	WP1002036SE	110	24			
TA2200502R0	90	54	WP1020616SD	16	51			
TA2201002R0	76	72	WP1020616SD	18	51			
WP0220300SC	64	13	WP1020616SD	60	29			
WP0320500SC	98	27	WP1020616SD	70	52			
WP0320501SC	46	35	WP1020616SD	72	52			
WP03305000E	4	70	WP1020616SD	92	33			
WP0330501SB	82	25	WP1021016SD	18	49			
WP0360516SD	102	32	WP1021016SD	72	50			
WP0371016SD	16	43	WP1302501SE	106	16			
WP0371016SD	46	13	WP1302501SE	108	16			
WP0371016SD	70	42	WP1602616SZ	44	21			
WP0371016SD	92	21	WP1602616SZ	96	16			
WP0371036SD	18	52	WP1612616SE	48	19			
WP0430801SC	102	18	WS0270002KN	38	28			
WP0450801SD	10	39	WS0310002KN	46	34			
WP0450801SD	50	3	WS0310702KS	98	26			
WP0450801SD	52	6	WS0441040KP	98	34			
WP0450801SD	114	6	WS0510002KN	48	16			
WP0450826SC	8	20	WS0510002KP	6	30			
WP0450826SC	52	8	WS0510002KP	24	29			
WP0450826SC	114	8	WS0510002KP	72	56			
WP0450846SP	28	56	WS1002560KR	110	21			
WP0450846SP	36	61	WS1253010KN	106	17			
WP0450846SP	102	24	WS1253010KN	108	17			
WP0480856SP	62	51	WS1643202KR	48	20			
WP0480856SP	68	33	WT0320002KZ	36	49			
WP0480856SP	86	22	WT0530002KS	2	25			
WP0500916SD	86	40	WT0530002KS	50	4			
WP0501016SD	6	29	WZ0641510KP	2	30			
WP0501016SD	66	66	WZ0850302K0	16	17			
WP0501016SD	72	57	WZ0850302K0	70	32			
WP0501016SD	98	33	WZ0850302K0	82	37			
WP0510516SD	14	10	WZ0850302K0	92	27			
WP0510516SD	82	41	WZ1052010KP	16	50			
WP0531001SC	50	6	WZ1052010KP	18	50			
WP0612066SP	64	47	WZ1052010KP	24	14			
WP0612066SP	66	47	WZ1052010KP	60	30			
WP0621016SD	34	38	WZ1052010KP	70	51			