

MODEL : AK-104/AK-105

List No : 1157-01

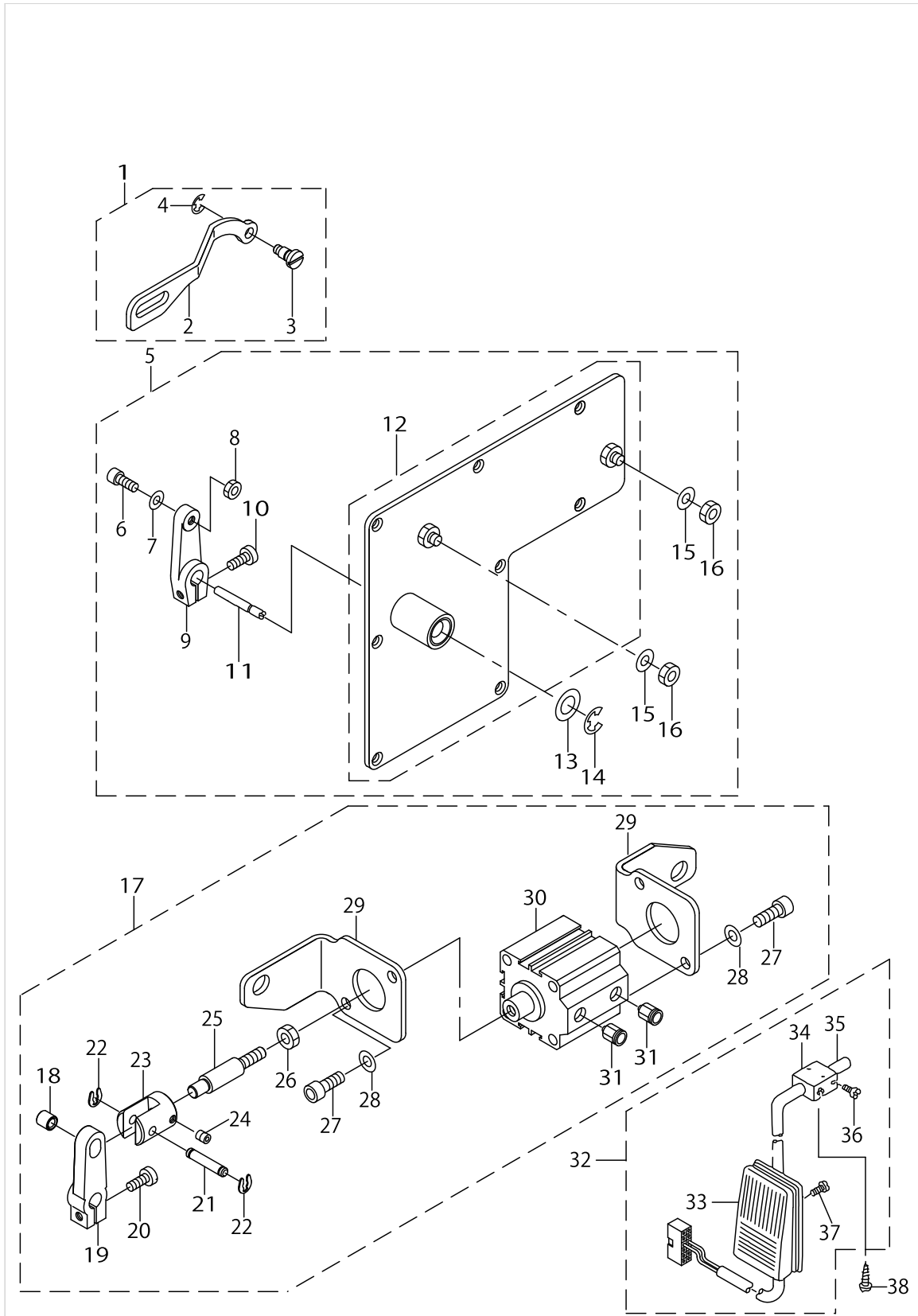
# PARTS LIST

Published:09/10/2017

## CONTENTS

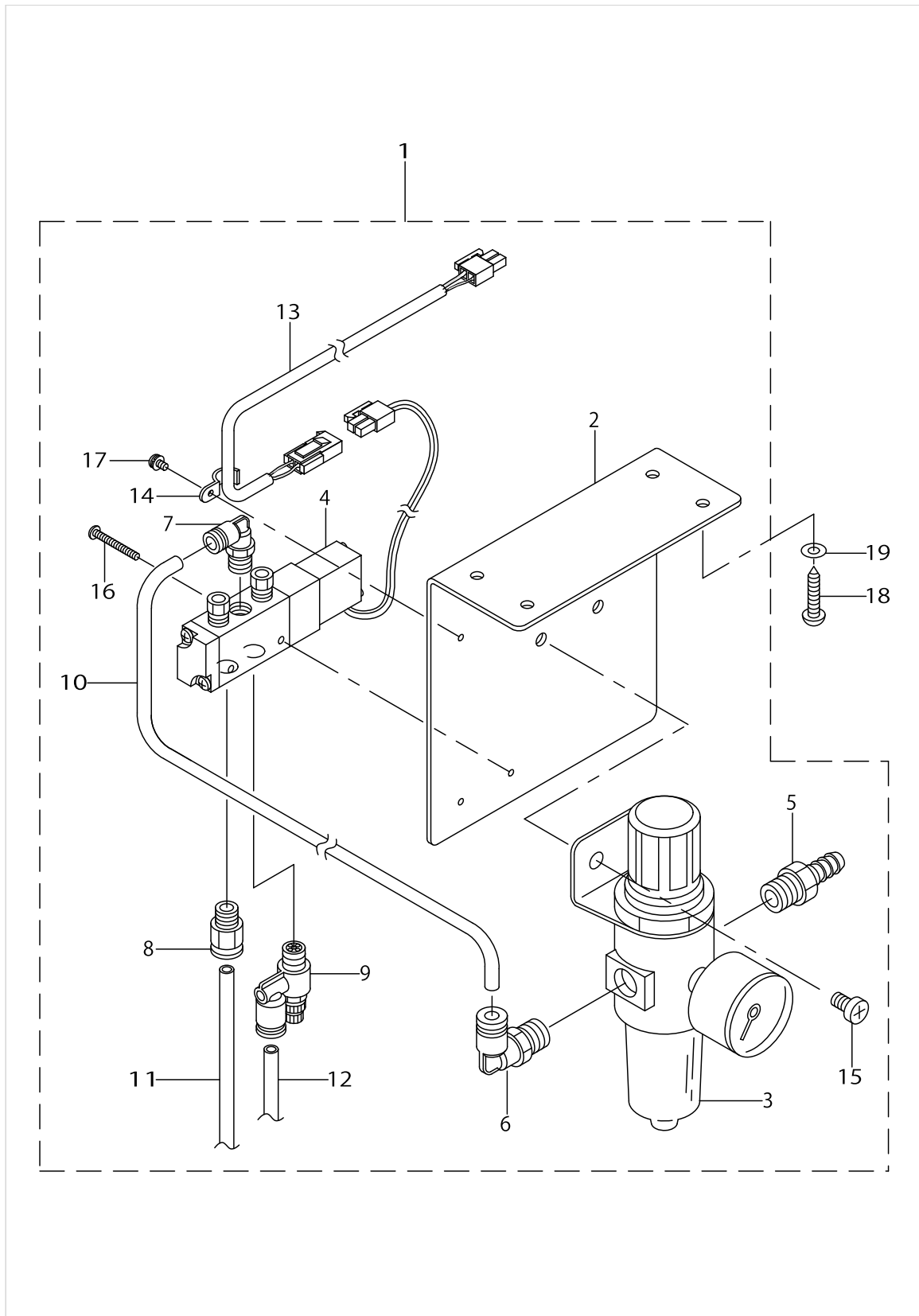
---

AK104,105 (1) .....	1
AK104,105 (2) .....	3
HOW TO MAKE USE OF THIS PARTS LIST .....	5



## AK104,105 (1)

No.	Parts No.	Parts name	Remarks	Level	Cons	Qty
1	GAKA05020A0	AK DRIVING LINK ASM.				1
2	GAKA0502000	AK DRIVING LINK		*		1
3	GAKA0501000	KNEE LIFTER LINK PIN		*		1
4	RE0500000K0	E-RING		*		1
5	GAKA05030B0	AK WINDOW PLATE ASM.,B				1
6	SS6621212TP	SCREW 3/16-32 L=12.0		*		1
7	WP0551016SH	WASHER 5.5X13X1		*		1
8	NS6620310SP	NUT 3/16-32		*		1
9	GAKA0505000	AK DRIVING CONNECTING ARM		*		1
10	SS6121210SP	SCREW 3/16-28 L=12		*		1
11	GAK33028000	SOLENOID SHAFT		*		1
12	GAKA05030A0	AK WINDOW PLATE ASM.,A		*		1
13	WP1021016SD	WASHER		*		1
14	RE0700000K0	E-RING 7		*		1
15	WP0621036SP	WASHER		*		2
16	NS6150430SP	NUT 15/64-28		*		2
17	GAKA05060A0	AK CYLINDER ASM.				1
18	GAK33013000	SOLENOID PIN COLLAR		*		1
19	GAK33011000	SOLENOID ARM, A		*		1
20	SS6121210SP	SCREW 3/16-28 L=12		*		1
21	GAK33012000	SOLENOID PIN		*		1
22	GAK33014000	SNAP RING		*		2
23	GAK33035000	SOLENOID COLLAR		*		1
24	SM8050602TP	SCREW M5 L=6		*		1
25	GAKA0508000	CYLINDER CONNECTING SHAFT		*		1
26	NM6060001SE	NUT M6		*		1
27	SM6061602TP	SCREW M6 L=16		*		4
28	WP0621016SD	WASHER 6.2X13X1		*		4
29	GAKA0507000	AK CYLINDER BASIS		*		2
30	PA320150200	JIG CYLINDER		*		1
31	PJ301065104	HALF UNION		*		2
32	GAK840900B0	LIFTER KNEE SWITCH ASM. B	FOR AK104			1
33	GAK840900A0	KNEE SWITCH ASM. A		*		1
34	MAT80230T00	KNEE SWITCH SUPPORT BASE		*		2
35	MAT80231T00	DRIVING BAR, T002		*		1
36	SS6151220SP	SCREW 15/64-28 L=11.5		*		4
37	SS7111410SP	SCREW 11/64-40 L=14		*		2
38	SK3514000SC	WOOD SCREW D=5.1 L=40	FOR AK104			2



## AK104,105 (2)

No.	Parts No.	Parts name	Remarks	Level	Cons	Qty
1	GAKA14010A0	AIR COMPONENTS ASM.				1
2	GAKA1401000	SOLENOID VALVE MOUNTING PLATE		*		1
3	GAK29007000	FILTER REGULATOR		*		1
4	GAKA14030A0	SOLENOID VALVE ASM.		*		1
5	GAK29011000	NIPPLE		*		1
6	GAK29009000	ELBOW		*		1
7	GAK29010000	ELBOW B		*		1
8	GAK29015000	JOINT A		*		1
9	GAK29016000	SPEED CONTROLLER		*		1
10	BT0600401EB	TUBE		*		0.18
11	BT0600401EB	TUBE		*		1.1
12	BT0600401EB	TUBE		*		1.2
13	GAKA14020A0	CORD ASM.		*		1
14	B3538112000	OIL RETURN TUBE HOLDER		*		1
15	SM4061001SB	SCREW M6 L=10		*		2
16	SM4032501SB	SCREW M3X0.5 L=25.0		*		2
17	SL4030691SC	SCREW M3X6		*		1
18	SK3482500SC	WOOD SCREW D=4.8 L=25				4
19	WP0501016SC	WASHER 5X10.5X1				4

## HOW TO MAKE USE OF THIS PARTS LIST

1.As to "#01" and "#02" refer to the "Note" given at the bottom of the respective pages.

2.Codes on the "Qty" column

- Each numeral indicates the number of parts required.
- "0.1" and "2.5" indicate the length (in meters) of the respective parts.

3.Parentheses mean that the corresponding part is a subpart that constructs an assembly part.

4.Dotted lines on the Figures indicate assembly parts.

1. リストページの# 0 1、# 0 2の印は、ページ下の"注記"の説明を参照下さい。
2. 数量欄の数字は、個数を表し、0. 1、2. 5等の数値は、長さ（単位メートル）を表します。
3. 数量欄の（ ）は、組部品を構成している子部品であることを意味します。
4. イラストページの-----枠は、組構成であることを意味します。

# NUMERICAL INDEX OF PARTS

PART NO	PAGE	REF NO.	PART NO	PAGE	REF NO.
B3538112000	4	14	SS6121210SP	2	20
BT0600401EB	4	12	SS6151220SP	2	36
GAK29007000	4	3	SS6621212TP	2	6
GAK29009000	4	6	SS7111410SP	2	37
GAK29010000	4	7	WP0501016SC	4	19
GAK29011000	4	5	WP0551016SH	2	7
GAK29015000	4	8	WP0621016SD	2	28
GAK29016000	4	9	WP0621036SP	2	15
GAK33011000	2	19	WP1021016SD	2	13
GAK33012000	2	21			
GAK33013000	2	18			
GAK33014000	2	22			
GAK33028000	2	11			
GAK33035000	2	23			
GAK840900A0	2	33			
GAK840900B0	2	32			
GAKA0501000	2	3			
GAKA0502000	2	2			
GAKA05020A0	2	1			
GAKA05030A0	2	12			
GAKA05030B0	2	5			
GAKA0505000	2	9			
GAKA05060A0	2	17			
GAKA0507000	2	29			
GAKA0508000	2	25			
GAKA1401000	4	2			
GAKA14010A0	4	1			
GAKA14020A0	4	13			
GAKA14030A0	4	4			
MAT80230T00	2	34			
MAT80231T00	2	35			
NM6060001SE	2	26			
NS6150430SP	2	16			
NS6620310SP	2	8			
PA320150200	2	30			
PJ301065104	2	31			
RE0500000K0	2	4			
RE0700000K0	2	14			
SK3482500SC	4	18			
SK3514000SC	2	38			
SL4030691SC	4	17			
SM4032501SB	4	16			
SM4061001SB	4	15			
SM6061602TP	2	27			
SM8050602TP	2	24			