

MODEL : MOG-3700 SUBCLASSES

List No : 1154-02

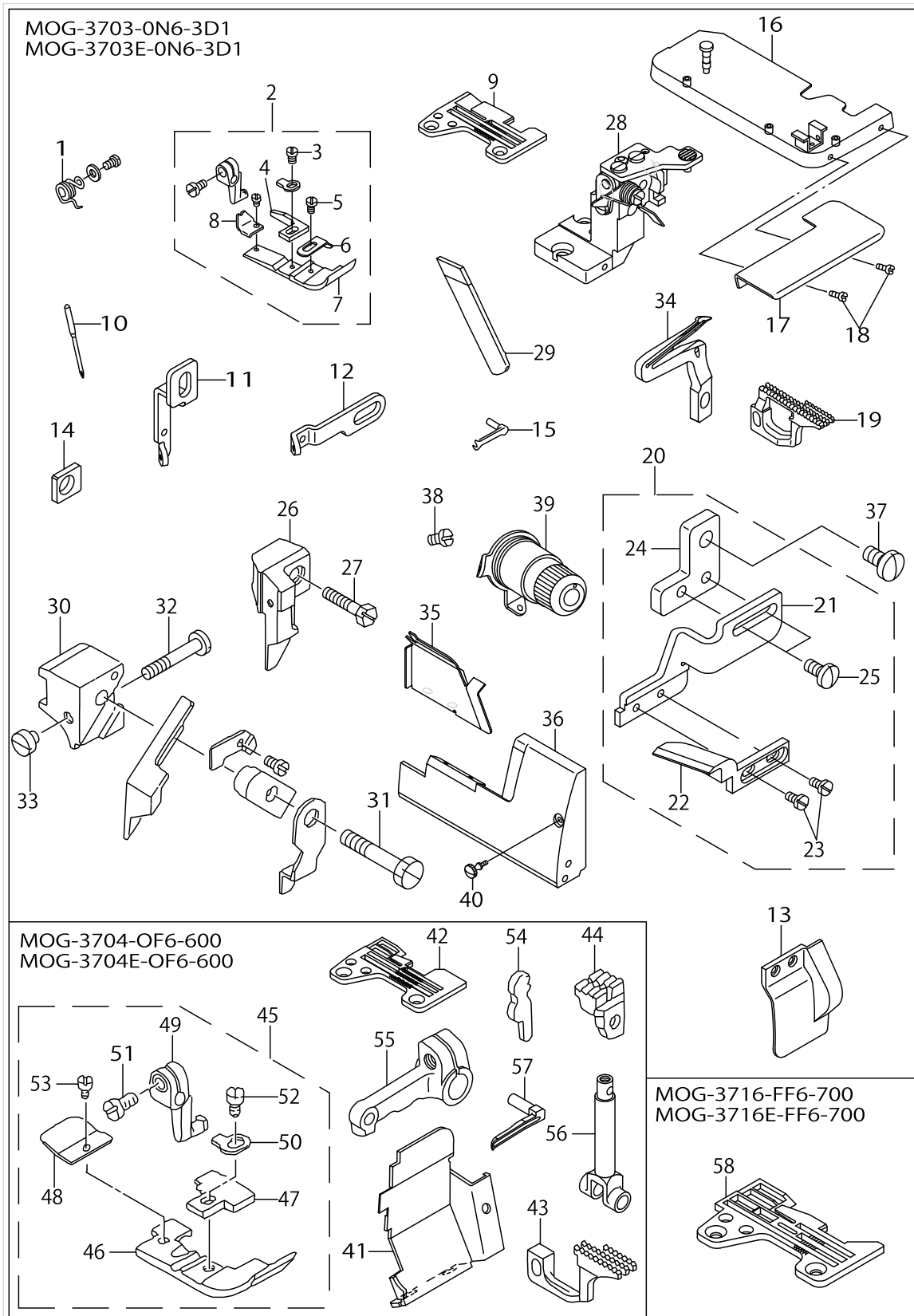
PARTS LIST

Published:09/10/2017

CONTENTS

MOG-3700 SUBCLASSES (1).....	1
MOG-3700 SUBCLASSES (2).....	5
HOW TO MAKE USE OF THIS PARTS LIST	7

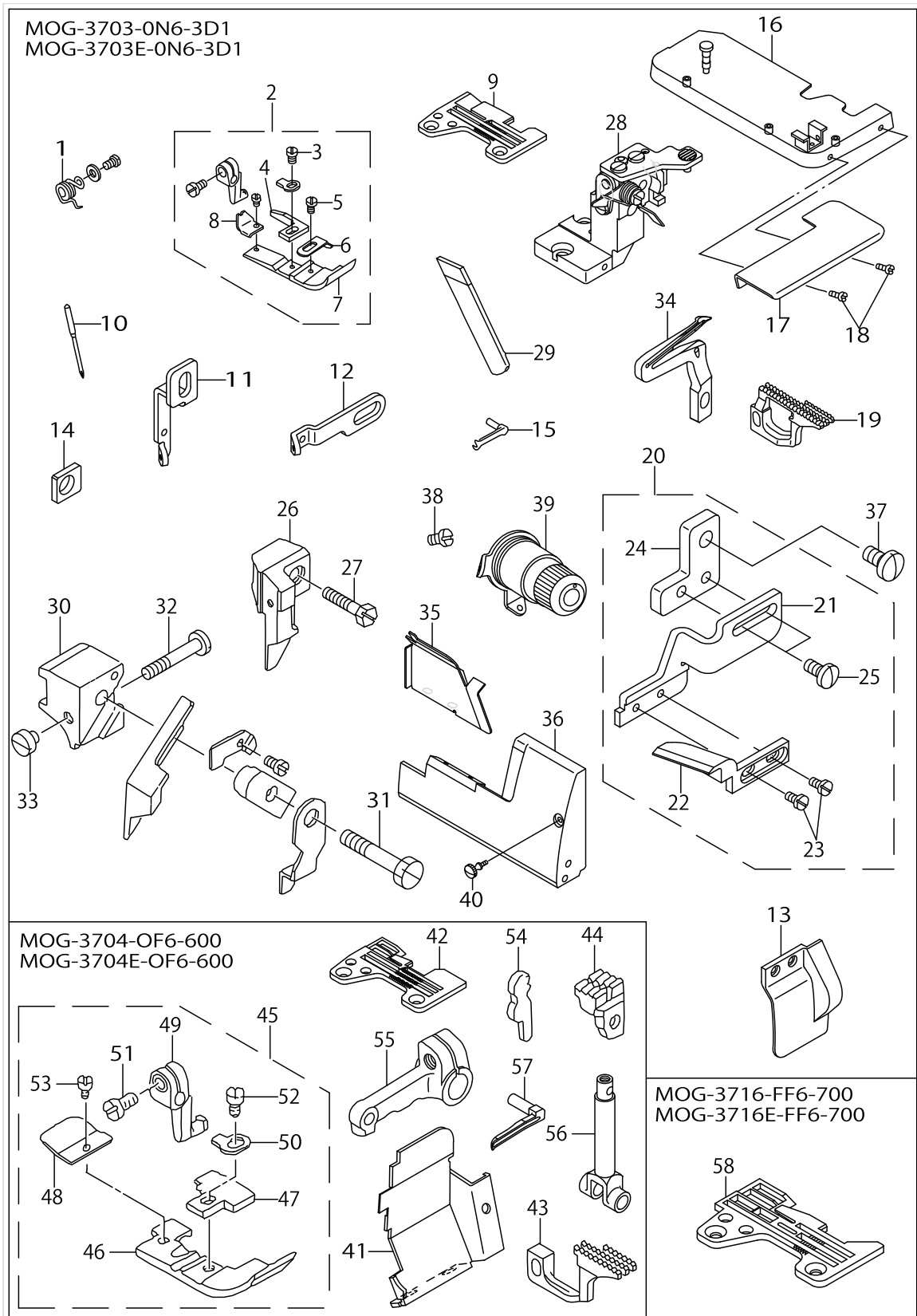
MOG-3700 SUBCLASSES (1)



MOG-3700 SUBCLASSES (1)

No.	Parts No.	Parts name	Remarks	Level	Cons	Qty
1	11693900	SPRING				1
2	12381554	PRESSER FOOT ASM.				1
3	SS7080520SP	SCREW 1/8-44 L=4.9		*		1
4	12381505	STITCH TONGUE		*		1
5	SS7060310SP	SCREW 3/32-56 L=3		*		1
6	12012902	CLOTH PRESSER		*		1
7	12012704	PRESSER FOOT		*		1
8	11693801	REAR PRESSER PLATE		*		1
9	R4300JONJ00	THROAT PLATE				1
10	MDO500S1600	NEEDLE DOX5 #16S				1
11	12372504	NEEDLE THREAD BALANCE GUIDE				1
12	12376000	LOOPER BALANCE (RIGHT)				1
13	12102109	SAFETY PLATE				1
14	12375606	SUPPORT GAUGE				1
15	12014817	SPREADER, UPPER				1
16	12371266	CLOTH PLATE COMPL.				1
17	12006813	CLOTH GUIDE BASE				1
18	SS7110510SP	SCREW 11/64-40 L=5				2
19	12013504	FEED DOG				1
20	12382156	SUPPORT CLICK ASM.				1
21	12382206	SUPPORT CLICK BASE		*		1
22	12382107	SUPPORT CLICK		*		1
23	SS7060310SP	SCREW 3/32-56 L=3		*		2
24	12382305	SUPPORT CLICK FITTING PLATE		*		1
25	SS7090710SP	SCREW 9/64-40 L= 6.8		*		2
26	12004800	UPPER KNIFE SUPPORT				1
27	SS6111610SP	SCREW 11/64-40 L=16				1
28	12377586	LOWER KNIFE BRACKET ASM.				1
29	12005302	SINTERED LOWER KNIFE				1
30	11565405	UPPER KNIFE SUPPORT				1
31	SS9112420TP	SCREW 11/64-40 L=24				1
32	SS7092110TP	SCREW 9/64-40 L=21				1
33	SS6090310SP	SCREW 9/64-40 L=4.6				1
34	12384301	LOWER LOOPER				1
35	12379707	CHIP GUARD COVER				1
36	12371308	LOOPER COVER				1
37	SS7110840SP	SCREW 11/64-40 L=7.8				1
38	SS7110710SL	SCREW 11/64-40 L=7.0				1
39	12254959	THREAD TENSION SPRING JUNCTION				2
40	B2549372000	CLAMP SCREW A				1
41	12256707	CLOTH WASTE COVER				1
42	R4300J0FL00	THROAT PLATE				1
43	11700507	DIFFERENTIAL FEED DOG				1
44	11651809	AUXILIARY FEED DOG				1
45	12381752	PRESSER FOOT COMPL.				1
46	11680501	PRESSER FOOT		*		1
47	11700408	STITCH TONGUE		*		1

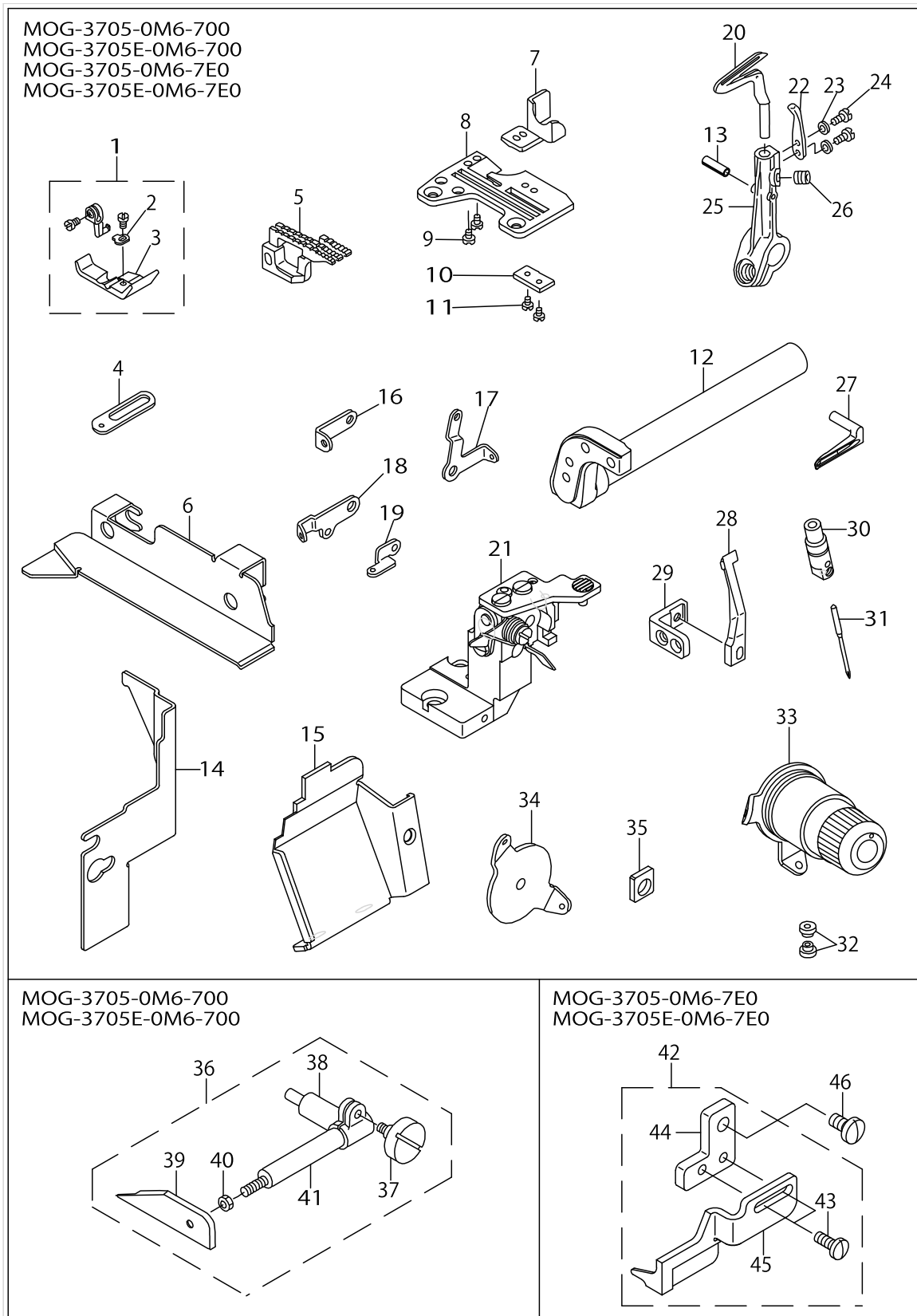
MOG-3700 SUBCLASSES (1)



MOG-3700 SUBCLASSES (1)

No.	Parts No.	Parts name	Remarks	Level	Cons	Qty
48	11680709	REAR PRESSER FOOT		*		1
49	11651304	PRESSER FOOT HINGE		*		1
50	B1508804000	SPRING		*		1
51	SS6090650SP	SCREW 9/64-40 L=6		*		1
52	SS7080520SP	SCREW 1/8-44 L=4.9		*		1
53	SS6060340SP	SCREW 3/32-56 L= 2.5		*		1
54	11841608	UPPER LOOPER GUIDE OIL FELT				1
55	11582012	UPPER LOOPER ARM				1
56	11582103	UPPER LOOPER HOLDER				1
57	12383501	UPPER LOOPER				1
58	R4612J0FL00	THROAT PLATE				1

MOG-3700 SUBCLASSES (2)



MOG-3700 SUBCLASSES (2)

No.	Parts No.	Parts name	Remarks	Level	Cons	Qty
1	12381653	PRESSER FOOT COMPL.				1
2	B150880400B	SPRING		*		1
3	12381604	PRESSER FOOT		*		1
4	12008306	LOOPER THREAD GUIDE, RIGHT				1
5	11681004	FEED DOG				1
6	12371407	CLOTH PLATE SIDE COVER				1
7	11681715	UPPER LOOPER COVER				1
8	R4300J0MQ00	THROAT PLATE				1
9	SS3090520SP	SCREW 9/64-40 L=4.5				2
10	11681905	NEEDLE GUARD SUPPORT PLATE				1
11	SS4080310SP	SCREW 1/8-44 L=3.4				2
12	12378600	KNIFE ARM SHAFT				1
13	PS0300102KH	SPRING PIN 3X10				1
14	12379806	CHIP CUARD COVER, LEFT				1
15	12379905	CHIP CUARD COVER				1
16	12008009	LOOPER THREAD GUIDE				1
17	12008207	LOOPER THREAD TAKE-UP, LEFT				1
18	12008108	LOOPER THREAD TAKE-UP, RIGHT				1
19	11691607	UPPER LOOPER THREAD GUIDE				1
20	11544905	LOWER LOOPER				1
21	12377594	LOWER KNIFE BRACKET ASM.				1
22	11566908	TRAVELING NEEDLE GUARD				1
23	WP0280500SC	WASHER				2
24	SS6060510TP	SCREW 3/32-56 L=4.5				2
25	12375853	LOWER LOOPER SUPPORT ARM				1
26	SS8110422TP	SCREW 11/64-40 L=4				1
27	12383709	UPPER LOOPER				1
28	11681400	NEEDLE GUARD				1
29	12008603	NEEDLE GUARD HOLDER				1
30	12379202	NEEDLE CLAMP				1
31	MDC100B2400	NEEDLE DCX1 #24				1
32	YE0450510MB	UPPER LOOPER THREAD GUIDE				2
33	12254850	THREAD TENSION SPRING COMPL.				1
34	11691706	THREAD GUIDE				1
35	12375606	SUPPORT GAUGE				1
36	11690450	CLOTH GUIDE ASM.	FOR MOG-3705N-0M6-700			1
37	MAT80110L00	CLAMP SCREW		*		1
38	MAT80109L00	SUPPORTER		*		1
39	11690401	CLOTH GUIDE		*		1
40	NS6110310SP	NUT 11/64-40		*		1
41	11691003	CLOTH GUIDE SHAFT		*		1
42	12382453	SUPPORT CLICK ASM.	FOR MOG-3705N-0M6-7E0			1
43	SS7090710SP	SCREW 9/64-40 L= 6.8		*		2
44	12382305	SUPPORT CLICK FITTING PLATE		*		1
45	12382404	SUPPORT CLICK		*		1
46	SS7110840SP	SCREW 11/64-40 L=7.8				1

HOW TO MAKE USE OF THIS PARTS LIST

1.As to "#01" and "#02" refer to the "Note" given at the bottom of the respective pages.

2.Codes on the "Qty" column

- Each numeral indicates the number of parts required.
- "0.1" and "2.5" indicate the length (in meters) of the respective parts.

3.Parentheses mean that the corresponding part is a subpart that constructs an assembly part.

4.Dotted lines on the Figures indicate assembly parts.

1. リストページの# 0 1、# 0 2の印は、ページ下の"注記"の説明を参照下さい。
2. 数量欄の数字は、個数を表し、0. 1、2. 5等の数値は、長さ（単位メートル）を表します。
3. 数量欄の（ ）は、組部品を構成している子部品であることを意味します。
4. イラストページの-----枠は、組構成であることを意味します。

NUMERICAL INDEX OF PARTS

PART NO	PAGE	REF NO.	PART NO	PAGE	REF NO.	PART NO	PAGE	REF NO.
11544905	6	20	12375853	6	25	SS7080520SP	2	52
11565405	2	30	12376000	2	12	SS7080520SP	4	52
11566908	6	22	12377586	2	28	SS7090710SP	2	25
11582012	4	55	12377594	6	21	SS7090710SP	6	43
11582103	4	56	12378600	6	12	SS7092110TP	2	32
11651304	4	49	12379202	6	30	SS7110510SP	2	18
11651809	2	44	12379707	2	35	SS7110710SL	2	38
11680501	2	46	12379806	6	14	SS7110840SP	2	37
11680709	4	48	12379905	6	15	SS7110840SP	6	46
11681004	6	5	12381505	2	4	SS8110422TP	6	26
11681400	6	28	12381554	2	2	SS9112420TP	2	31
11681715	6	7	12381604	6	3	WP0280500SC	6	23
11681905	6	10	12381653	6	1	YE0450510MB	6	32
11690401	6	39	12381752	2	45			
11690450	6	36	12382107	2	22			
11691003	6	41	12382156	2	20			
11691607	6	19	12382206	2	21			
11691706	6	34	12382305	2	24			
11693801	2	8	12382305	6	44			
11693900	2	1	12382404	6	45			
11700408	2	47	12382453	6	42			
11700507	2	43	12383501	4	57			
11841608	4	54	12383709	6	27			
12004800	2	26	12384301	2	34			
12005302	2	29	B1508804000	4	50			
12006813	2	17	B150880400B	6	2			
12008009	6	16	B2549372000	2	40			
12008108	6	18	MAT80109L00	6	38			
12008207	6	17	MAT80110L00	6	37			
12008306	6	4	MDC100B2400	6	31			
12008603	6	29	MDO500S1600	2	10			
12012704	2	7	NS6110310SP	6	40			
12012902	2	6	PS0300102KH	6	13			
12013504	2	19	R4300J0FL00	2	42			
12014817	2	15	R4300J0MQ00	6	8			
12102109	2	13	R4300J0NJ00	2	9			
12254850	6	33	R4612J0FL00	4	58			
12254959	2	39	SS3090520SP	6	9			
12256707	2	41	SS4080310SP	6	11			
12371266	2	16	SS6060340SP	4	53			
12371308	2	36	SS6060510TP	6	24			
12371407	6	6	SS6090310SP	2	33			
12372504	2	11	SS6090650SP	4	51			
12375606	2	14	SS6111610SP	2	27			
12375606	6	35	SS7060310SP	2	23			