

MODEL : LBH-770NV/LBH-NB-1 SERIE/LBH-780NV/LBH-780NB-1 SERIES  
List No : 1132-04

# PARTS LIST

Published:09/10/2017

## CONTENTS

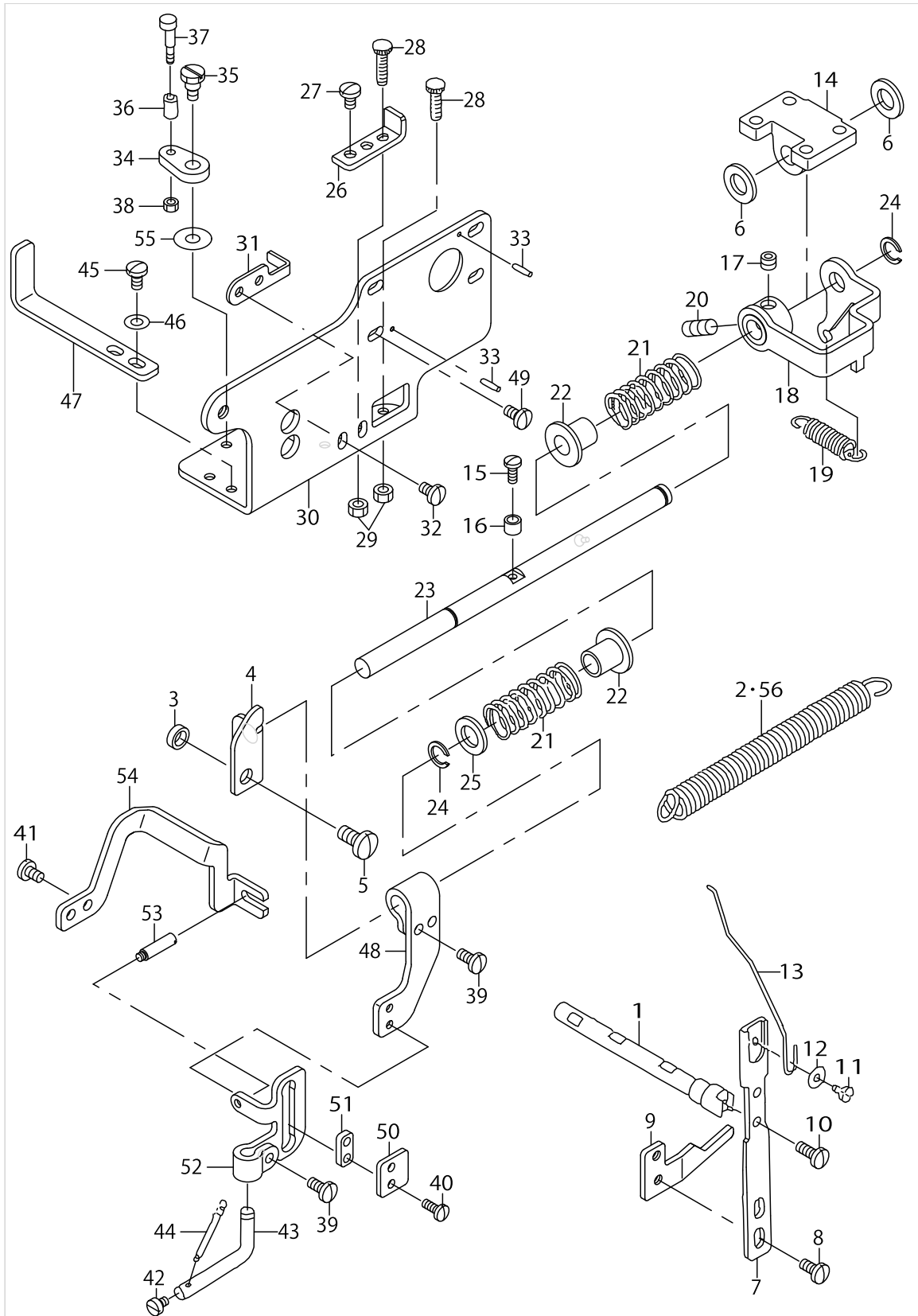
---

LBH-772NV-1, LBH-782NV (1).....	1
LBH-772NV-1, LBH-782NV (2).....	3
LBH-772NV-1, LBH-782NV (3).....	7
LBH-773NV-1, LBH-783NV.....	11
LBH-774NV-1, LBH-784NV.....	13
LBH-772NB-1, LBH-782NB.....	15
LBH-773NB-1, LBH-783NB.....	19
LBH-774NB-1, LBH-784NB.....	21
THREAD STAND COMPONENTS.....	23
LBH-77*NV1-1, NB1-1, LBH-78*NV1, NB1 (SEMI-CIRCULAR BARTACKING).....	25
LIST FOR INFORMATION OF CHANGE.....	27
HOW TO MAKE USE OF THIS PARTS LIST.....	28



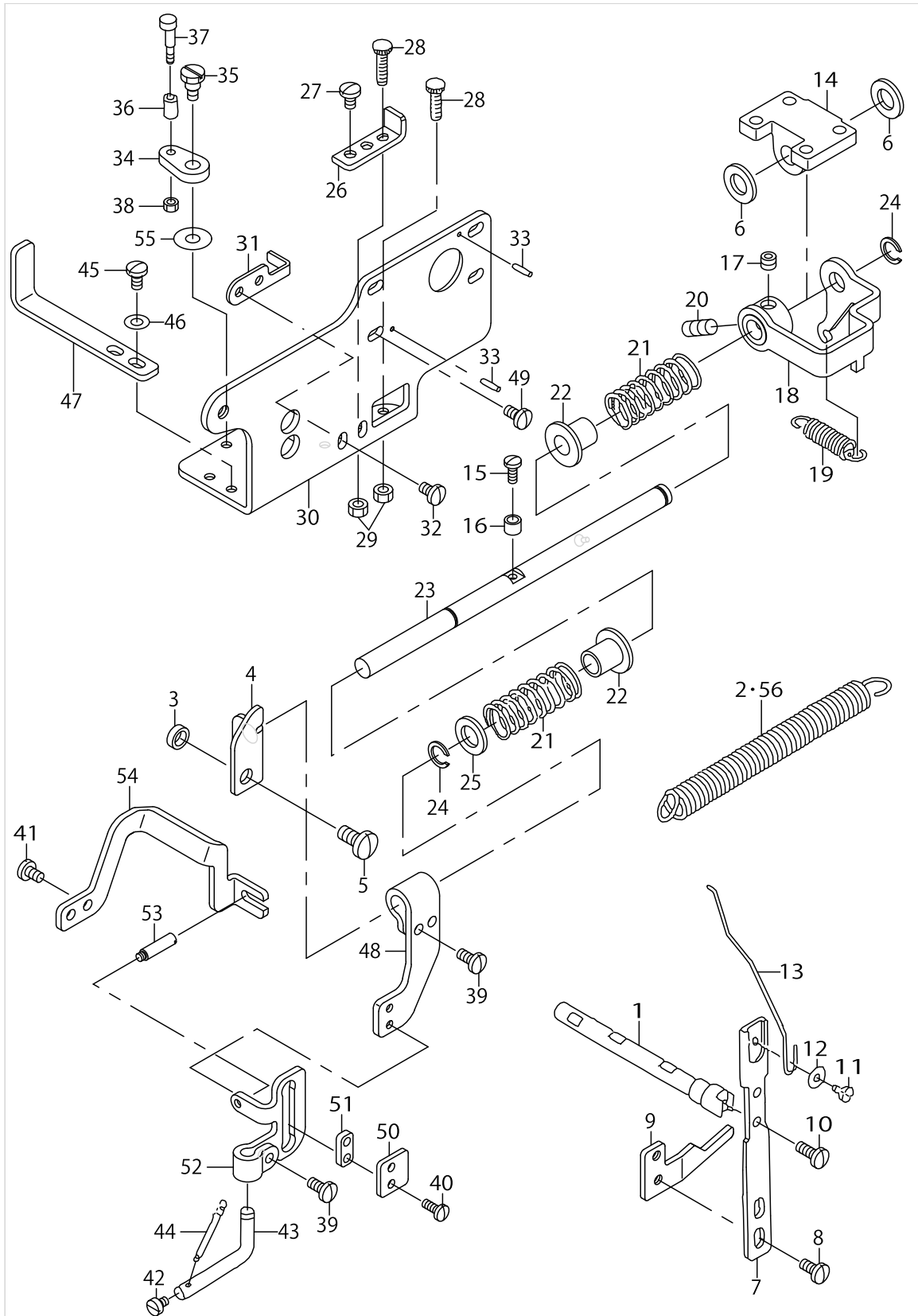
## LBH-772NV-1, LBH-782NV (1)

No.	Parts No.	Parts name	Remarks	Level	Cons	Qty
1	B111376100AA	SIDE COVER				1
2	13953054	LOWER THREAD DRIVING ARM ASM.				1
3	WP0371036SD	WASHER 3.7X6X1				1
4	B2024771000	SUSPENSION SCREW				1
5	D9335762TA0	GIMP TRIMMER BLADE ASM. (B)				1
6	D9335762T00	GIMP TRIMMER BLADE (B)		*		1
7	D9336762T00	SPRING B		*		1
8	WP0250516SD	WASHER 2.5X6X0.5		*		1
9	SS5060410SP	SCREW 3/32-56 L=3.5		*		1
10	SS7060310SP	SCREW 3/32-56 L=3				1
11	SS6060410TP	SCREW 3/32-56 L= 3.5				1
12	D1508772K00	WORK CLAMP CHECK (2K)				1
13	D2402772K00	THROAT PLATE (K)				1
14	SS6111040SP	SCREW 11/64-40 L= 9.5				2
15	13951207	PRESSER ARM				1
16	D1516772B00	BEARING ARM 2B	FOR LBH-780			1
17	13951009	PRESSER FOOT ROLLER				2
18	13955802	PAD CORD GUIDE FEED PLATE				1
19	13950753	PRESSER FOOT 2V ASM.				1
20	13951405	PRESSER FOOT STEP SCREW				2
21	13951108	PRESSER LIFTER ARM				1
22	SS7110710SP	SCREW 11/64-40 L=7				1
23	13952502	FINGER GUARD				1
24	13925805	SLIDE ROLLER				1
25	13926308	COLLAR				1
26	13950902	PRESSER ROLLER FITTING BASE				1
27	SS6110820TP	SCREW 11/64-40 L=8				1
28	SS7110910TP	SCREW 11/64-40 L= 8.5				2
29	13954052	PRESSER LIFTER LEVER ASM.				1
30	13737804	DRIVING ARM BOSS ROLLER				1
31	SD0500722TP	HINGE SCREW				1
32	NS6110420SP	NUT 11/64-40				1
33	SD1000401SP	HINGE SCREW D=10 H= 4				1
34	SD0791271SP	HINGE SCREW D= 7.94 H=12.7				1
35	13915004	PRESSER SUPPORT ARM (2B)				1
36	13925904	CONNECTING PIN				1
37	SS6060210SP	SCREW 3/32-56 L= 1.9				1



## LBH-772NV-1, LBH-782NV (2)

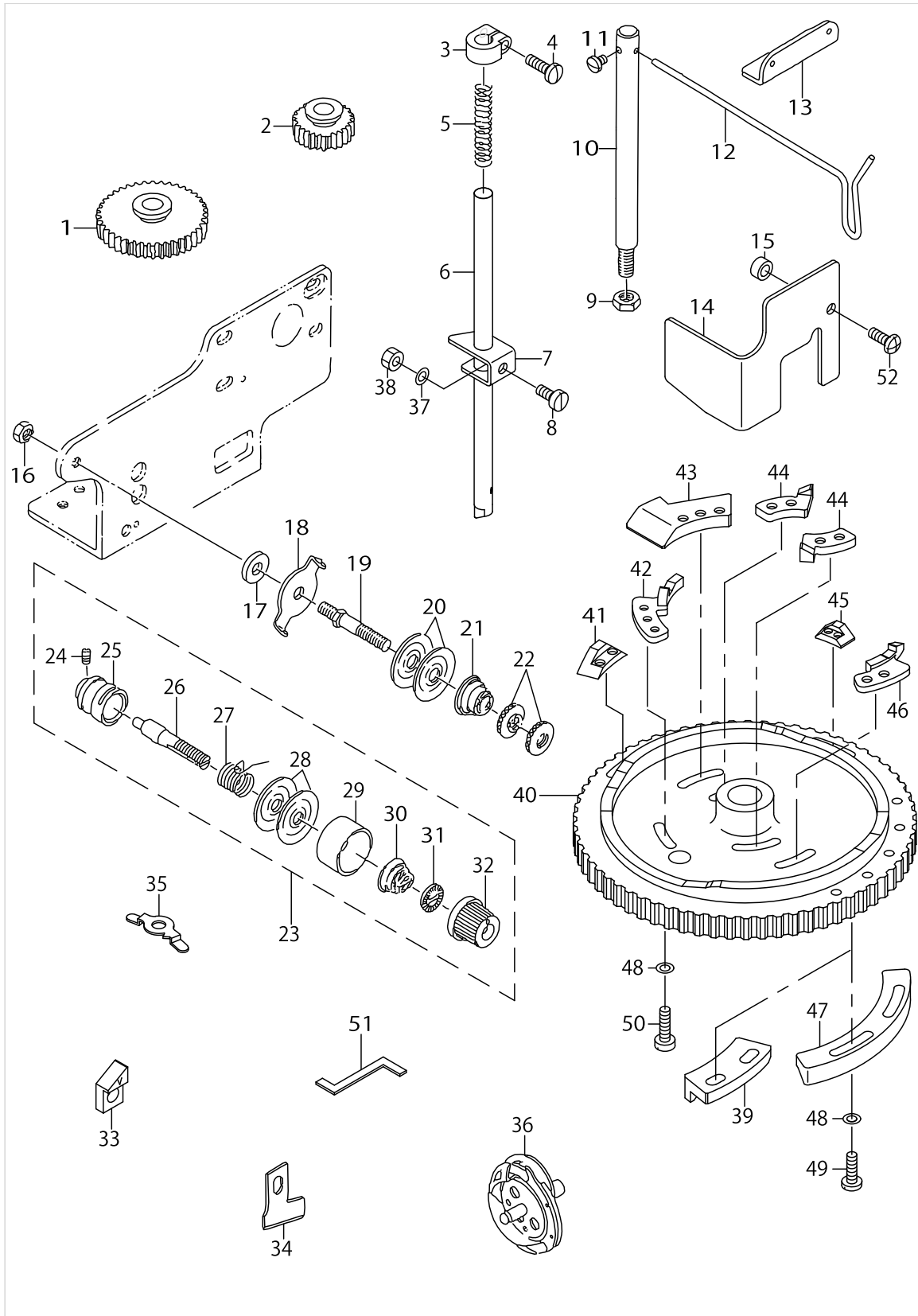
No.	Parts No.	Parts name	Remarks	Level	Cons	Qty
1	D3106772B00	TENSION RELEASE LEVER SHAFT				1
2	D2604772B00	TENSION SPRING	FOR LBH-780			1
3	B1504280000	COLLAR				1
4	13954300	GUIDE SHAFT HOLDER FRONT				1
5	SS7151210SP	SCREW 15/64-28 L=12				1
6	B8219125000	OIL DRAIN CAP GASKET				2
7	D3130772B00	GIMP DRIVING ARM				1
8	SS7110910TP	SCREW 11/64-40 L= 8.5				2
9	13956107	PAD CORD THREAD HANDLER BLOCK				1
10	SS7111120SP	SCREW 11/64-40 L=10.5				1
11	SS7110710SP	SCREW 11/64-40 L=7				1
12	WP0501016SD	WASHER 5X10.5X1				1
13	D2083772B00	THREAD PULLING WIRE				1
14	13954409	PAD CORD GUIDE SHAFT HOLDER				1
15	SS7090910SP	SCREW 9/64-40 L= 8.5				1
16	B4122804000	ROLLER				1
17	SS8660512TP	SCREW 1/4-40 L=5				1
18	13954656	PAD CORD GUIDE SHAFT ARM ASM.				1
19	13515606	SPRING				1
20	SS8661212TP	SCREW				1
21	D9317762T00	GIMP GUIDE SHAFT SPRING				2
22	13954805	PAD CORD GUIDE SHAFT COLLAR				2
23	13954508	PAD CORD GUIDE SHAFT				1
24	RC0841011KP	RETAINING RING 8.4				2
25	WP1002066SZ	WASHER 10.0X17.0X2.0				1
26	D9302762T00	GIMP GUIDE SHAFT STOP BRACKET				1
27	SS7110740TP	SCREW 11/64-40 L=7				2
28	D9303762T00	GIMP REPOSITIONING SCREW				2
29	NS6110420SP	NUT 11/64-40				2
30	13955406	PAD CORD GUIDE FITTING BASE				1
31	13955505	POSITION ADJUSTING PLATE				1
32	SS7110740TP	SCREW 11/64-40 L=7				2
33	PS0200102KH	SPRING PIN 2.0 X 10				2
34	13955604	PAD CORD GUIDE FEED ARM				1
35	SD0640482SP	HINGE SCREW D= 6.35 H= 4.8				1
36	D9309762T00	GIMP GUIDE HOLDER CRANK ROLLER				1
37	13955703	PAD CORD GUIDE FEED ARM PIN				1
38	NS6090310SP	NUT 9/64-40				1
39	SS7110910TP	SCREW 11/64-40 L= 8.5				3
40	SS7090910TP	SCREW 9/64-40 L= 8.5				2
41	SS7110710SP	SCREW 11/64-40 L=7				2
42	SS6090510SP	SCREW 9/64-40 L=5				1
43	D9314762T00	GIMP GUIDE HOLDER				1
44	D9315762T00	GIMP GUIDE				1
45	SS7110840SP	SCREW 11/64-40 L=7.8				2
46	WP0501016SD	WASHER 5X10.5X1				2
47	13951306	PRESSER ARM SUPPORT PLATE				1



LBH-772NV-1, LBH-782NV (2)

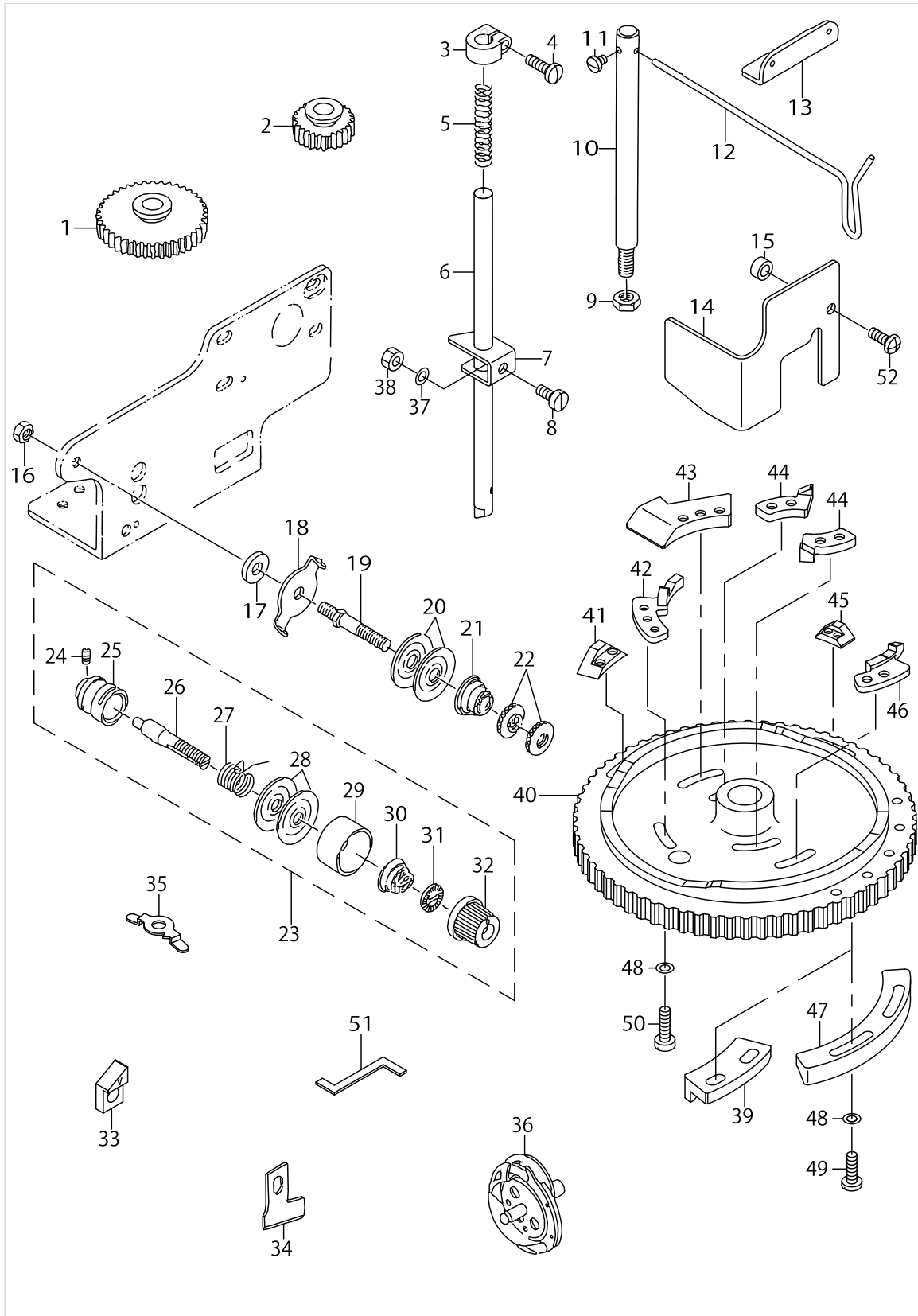
No.	Parts No.	Parts name	Remarks	Level	Cons	Qty
48	13954904	PAD CORD GUIDE ARM				1
49	SS7110840SP	SCREW 11/64-40 L=7.8				4
50	13955208	PAD CORD GUIDE BASE PLATE				1
51	13955109	GUIDE BASE SQUARE HORSE				1
52	13955000	ANGLE FITTING PLATE				1
53	B152752700C	EDGE GUIDE SUPPORTING STUD				1
54	13955307	SLIDE GUIDE PLATE				1
55	WP0600816SP	WASHER				1
56	13915103	STOP MOTION FRAME SPRING				1





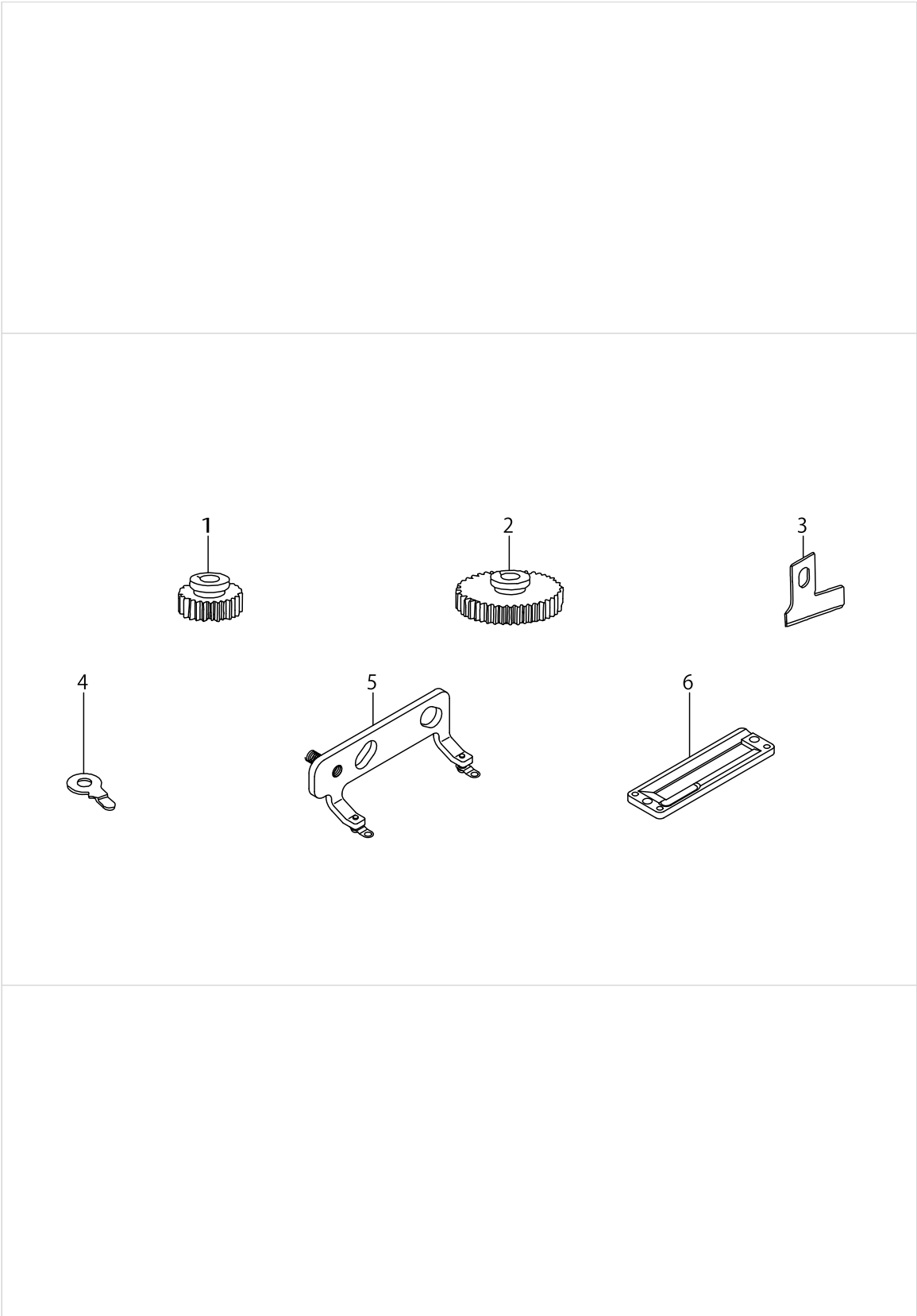
## LBH-772NV-1, LBH-782NV (3)

No.	Parts No.	Parts name	Remarks	Level	Cons	Qty
1	B2945761000	SPUR GEAR 252				1
2	B2944761000	SPUR GEAR (74)				1
3	B2016357A00	SLIDE BLOCK (A)				1
4	SS7111410TP	SCREW 11/64-40 L=14				1
5	D9332762T00	DRIVING ROD TENSION SPRING				1
6	13955901	GUIDE SHAFT OPERATING STICK				1
7	13956008	SHAFT OPERATING STICK PLATE				1
8	SS6111010TP	SCREW 11/64-40 L= 9.5				1
9	NS6700420SP	NUT 5/16-24				1
10	D9333762T00	GIMP SPOOL REST ROD				1
11	SS7090520SL	SCREW 9/64-40 L= 4.5				1
12	D9334762T00	GIMP SPOOL REST ROD EXTENSION				1
13	B2039373000	THREAD GUIDE NO.1				1
14	13950407	SIDE COVER A				1
15	11528809	WASHER				1
16	NS6150310SP	NUT 15/64-28				1
17	WP0612516SD	WASHER 6.1X15.2X2.5				1
18	B3107352000	NEEDLE THREAD GUIDE				1
19	B3119352000	THREAD TENSION POST				1
20	B3126012000	THREAD TENSION DISK				2
21	B3118352000	THREAD TENSION SPRING				1
22	B3117352000	THREAD TENSION POST NUT				2
23	D3110772TA0	THREAD TENSION NO.3 ASM. K				1
24	SS8090670SP	SCREW 9/64-40 L= 5.5		*		1
25	B3110771000	TENSION POST SOCKET		*		1
26	B3111761000	TENSION POST NO.3		*		1
27	B3112761000	THREAD TAKE-UP SPRING		*		1
28	B3126012000	THREAD TENSION DISK		*		2
29	B3107804000	THREAD TENSION DISK PRESSER		*		1
30	B3129012A00	TENSION SPRING		*		1
31	B3120125000	ROTATING STOPPER		*		1
32	B3119771000	THREAD TENSION NUT		*		1
33	D2615762V00	LATCH (C)	FOR LBH-780			1
34	B2702047Q00	KNIFE 1				1
35	D1608772E00A	LENGTH REGULATING SHAFT GUIDE				1
36	B18087610AB	HOOK ASM.				1
37	WP0450000SD	WASHER 4.5X8X0.5				1
38	NS6110530SP	NUT 11/64-40				1
39	D2951782V00	SPEED CHANGING CAM 2V	FOR LBH-780			1
40	D2901772V0C	FEED CAM (2V)				1
41	D2902762V00	BAR TRIPPING SEGMENT 2V				1
42	13953500	PAD CORD BASE 2 CHANGE CAM				1
43	D2904762V00	KNIFE TRIPPING SEGMENT (2V)				1
44	D9301762V00	GIMP GUIDE TRIPPING SEGMENT NO.1				2
45	D2903762V00	BAR TRIPPING SEGMENT 2V				1
46	13953609	PAD CORD BASE 4 CHANGE CAM				1
47	13913801	SPEED CHANGING SEGMENT				1



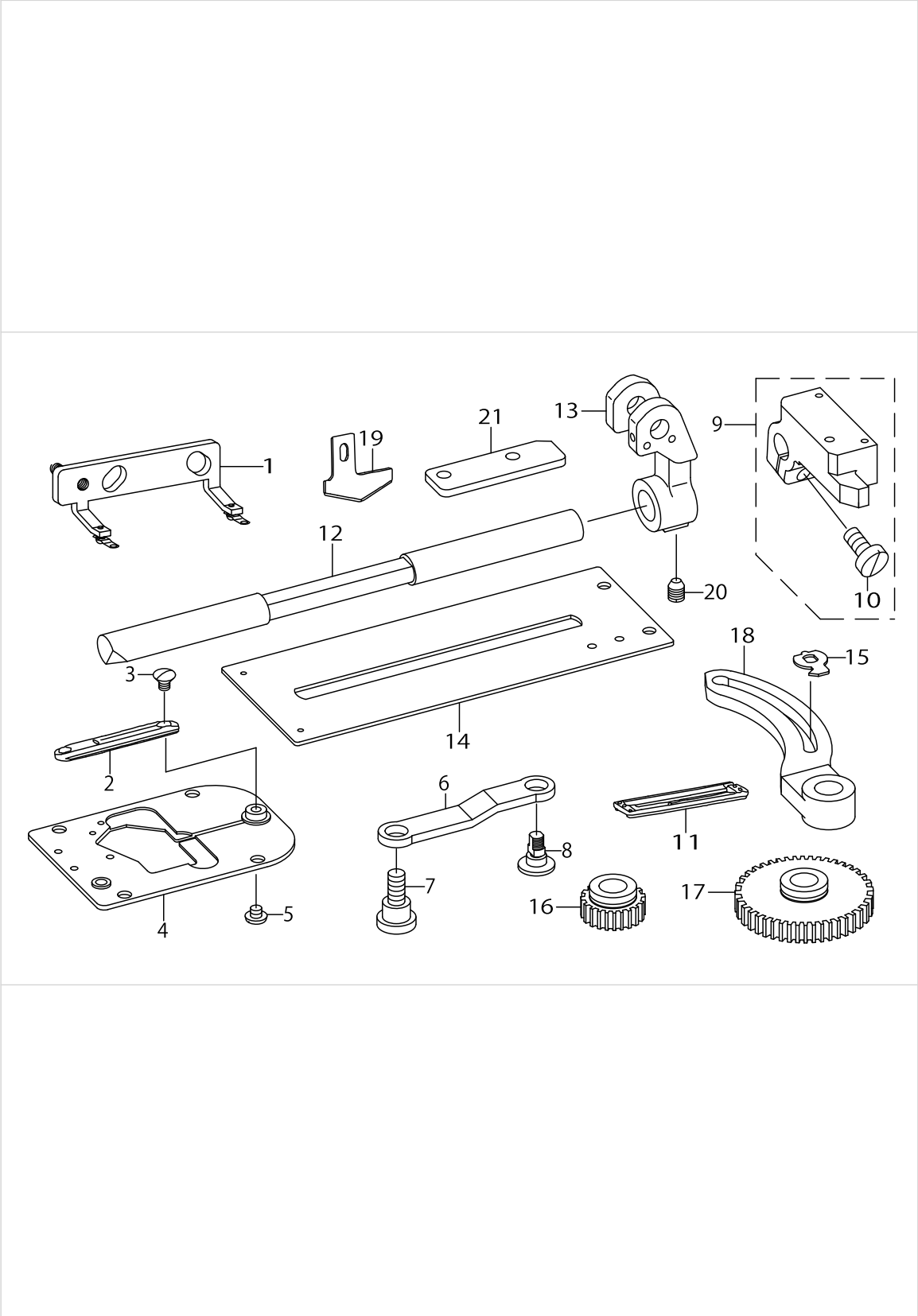
LBH-772NV-1, LBH-782NV (3)

No.	Parts No.	Parts name	Remarks	Level	Cons	Qty
48	WP0480856SP	WASHER 4.8X8.4X0.8				20
49	SS7111410SP	SCREW 11/64-40 L=14				2
50	SS6111610SP	SCREW 11/64-40 L=16				14
51	D9101771K00	HOOK TIMING GAUGE (K)				1
52	SS4111215SP	SCREW 11/64-40 L=12				1



LBH-773NV-1, LBH-783NV

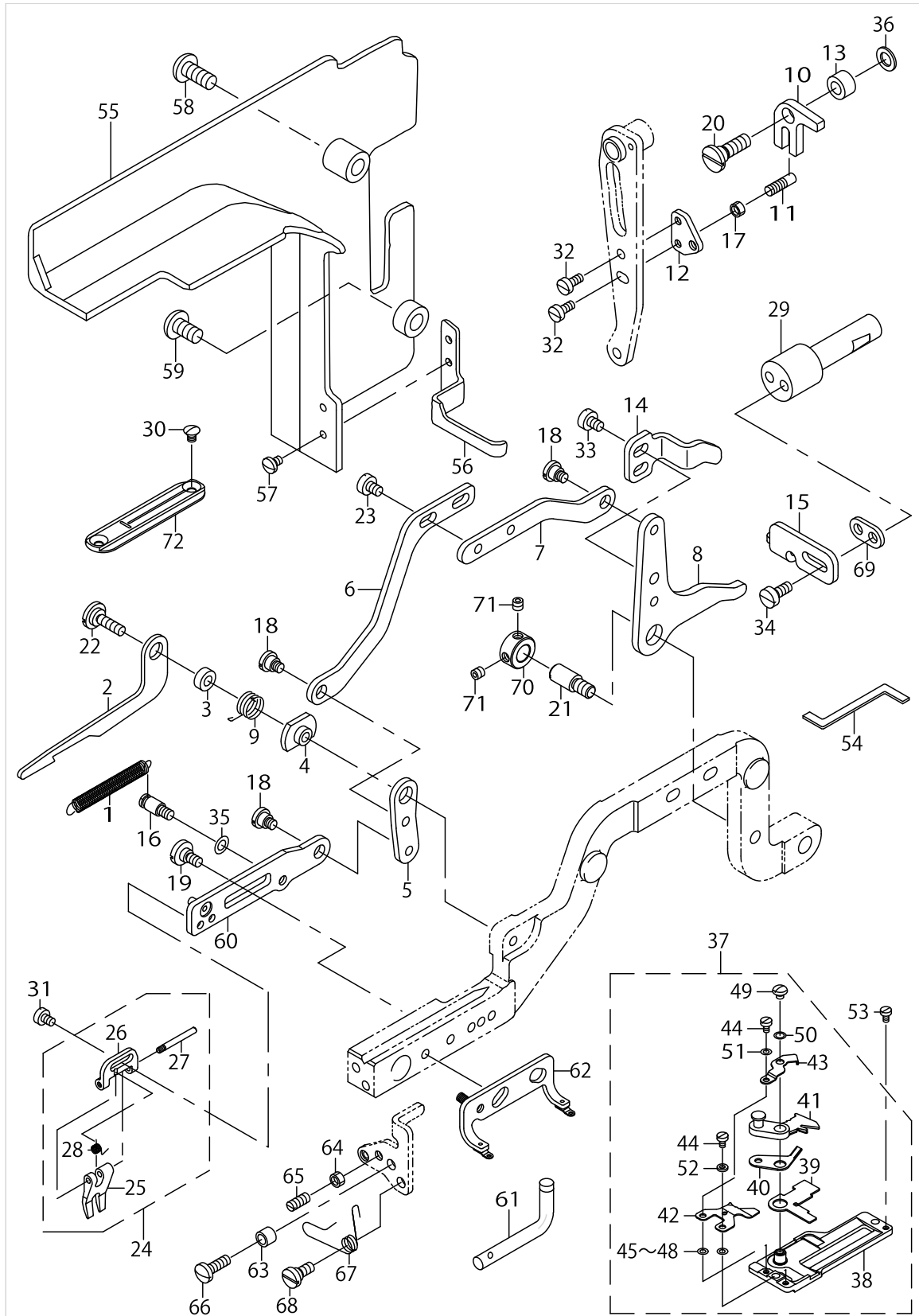
No.	Parts No.	Parts name	Remarks	Level	Cons	Qty
1	B2938761000	SPUR GEAR (63)				1
2	B2939761000	SPUR GEAR (300)				1
3	B2702047S00	KNIFE 1-1/4				1
4	D1608773E00	LENGTH REGULATING SHAFT GUIDE				1
5	13959051	PRESSER FOOT 3V ASM.				1
6	D1508773K00	WORK CLAMP CHECK (3K)				1



LBH-774NV-1, LBH-784NV

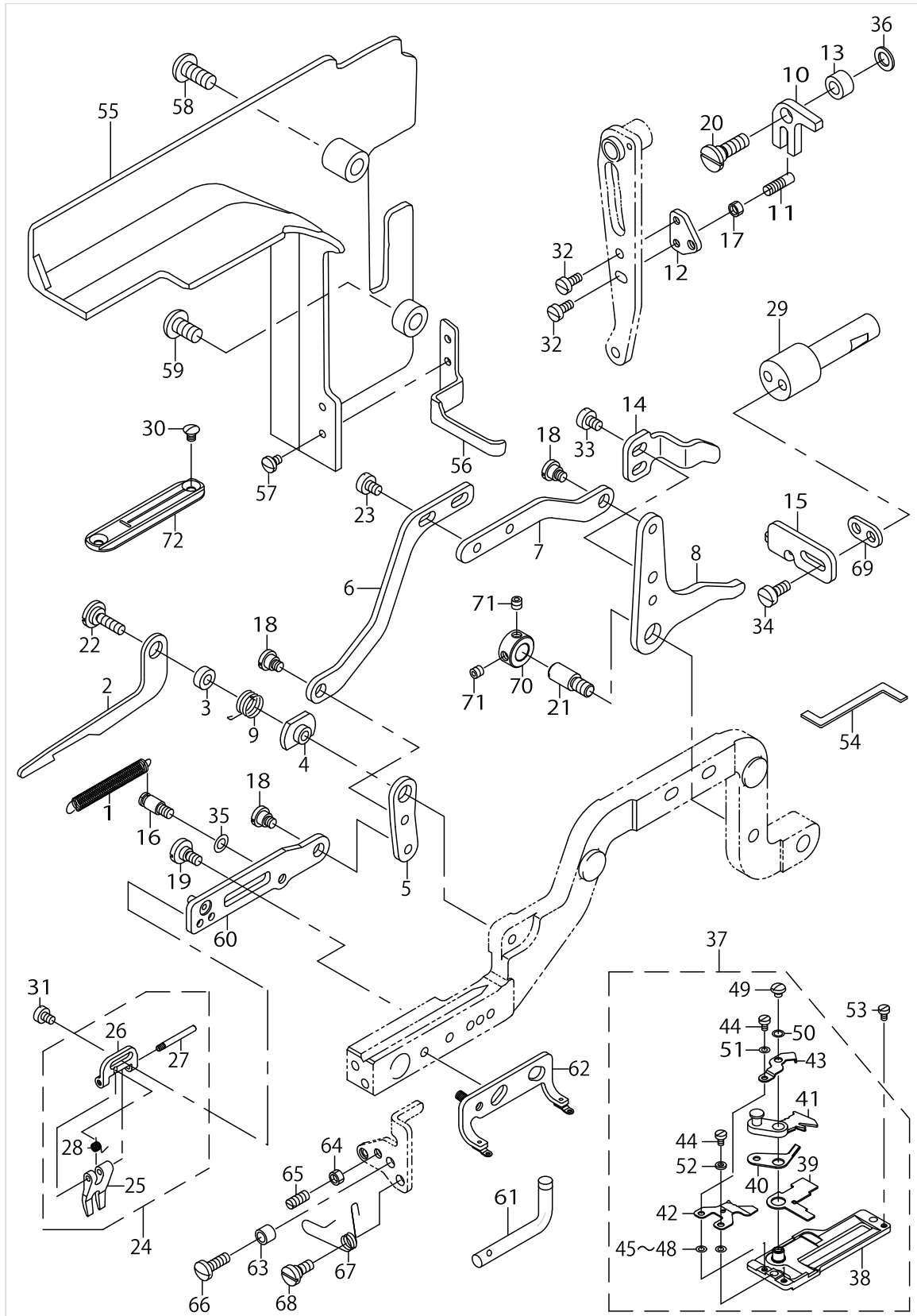
No.	Parts No.	Parts name	Remarks	Level	Cons	Qty
1	13960059	PRESSER FOOT 4V ASM.				1
2	D2402774K00	THROAT PLATE, K				1
3	SS2090530SP	SCREW 9/64-40 L= 4.8				2
4	B24017740A0	THROAT PLATE BASE ASM.				1
5	SS5090320SP	SCREW 9/64-40 L= 3.2				1
6	B1606774000	WORK CLAMP CARRIER PITMAN				1
7	SD0870401SP	HINGE SCREW D= 8.73 H= 4				1
8	B1605774000	FEED ADJUSTING SHAFT				1
9	B16117740A0	WORK CLAMP ARM BRACKET ASM.				1
10	SS6151440SP	SCREW 15/64-28 L=14		*		1
11	D1508774K00	WORK CLAMP CHECK, K				1
12	13960703	WORK CLAMP CHECK 4				1
13	13960505	PRESSER ARM REGISTER ARM 4				1
14	B1613774000	WORK CLAMP CARRIER				1
15	B1608774000	LENGTH REGULATING SHAFT GUIDE				1
16	B2936761000	SPUR GEAR (54)				1
17	B2937761000	SPUR GEAR (345)				1
18	B1603774000	LENGTH REGULATING ARM				1
19	B274577400B	KNIFE 1-1/2				1
20	13960802	WORK CLAMP SHAFT SET SCREW 4				1
21	B1612774000	WORK CLAMP ARM BRACKET GUIDE				1





LBH-772NB-1, LBH-782NB

No.	Parts No.	Parts name	Remarks	Level	Cons	Qty
1	13957303	THREAD CUTTING RETURN SPRING				1
2	13957410	FIXING PLATE				1
3	D2063772B00	LOCKING CAM PLATE HOLDER				1
4	13957501	FIXED PLATE SPACER				1
5	13957600	LINK FRONT				1
6	13957709	LINK INSIDE				1
7	13957808	LINK REAR				1
8	13957907	ACTUATING PLATE				1
9	D2064772B00	TENSION SPRING				1
10	13958509	THREAD TRIM DRIVING BLOCK				1
11	D2073772B00	BLOCK PIN				1
12	13958608	PIN INSTALL BASE				1
13	D2075772B00	GIMP HOOK BLOCK BASE				1
14	13958012	RELEASE PLATE A				1
15	13958103	CANCELLATION PLATE B				1
16	10120004	SPRING SUSPENSION				1
17	NS6110310SP	NUT 11/64-40				1
18	SD0640321SP	HINGE SCREW D= 6.35 H= 3.2				3
19	SD0600291TP	HINGE SCREW D=6 H=2.9				1
20	SD0720421SP	HINGE SCREW D= 7.24 H= 4.2				1
21	B1456057000	HINGE SCREW				1
22	SD0790204SP	HINGE SCREW D= 7.94 H= 2				1
23	SS6110610TP	SCREW 11/64-40 L=6				2
24	13956354	PAD CORD CUTTING BRANCH COMPL.				1
25	13956305	PAD CORD CUTTING BRANCH		*		1
26	13956404	BRANCH FITTING BASE		*		1
27	13956503	PAD CORD CUTTING BRANCH SHAFT		*		1
28	13956602	PAD CORD CUTTING BRANCH SPRING		*		1
29	MAO32003000	WORK CLAMP LIFTING SHAFT (AO)				1
30	SS2090530SP	SCREW 9/64-40 L= 4.8				1
31	SS6090560TP	SCREW 9/64-40 L=4.5				2
32	SS6090810TP	SCREW 9/64-40 L=7.5				2
33	SS6110610TP	SCREW 11/64-40 L=6				2
34	SS6111010SP	SCREW 11/64-40 L= 9.5				2
35	WP0480856SP	WASHER 4.8X8.4X0.8				1
36	WP0651056SD	WASHER 6.5X11X1				1
37	13958368	PRESSER COMPL. (2B)				1
38	13958350	PRESSER ASM.(2B)		*		1
39	13951801	FIXED KNIFE		*		1
40	13951900	MOVING KNIFE		*		1
41	13952007	HAUL PLATE		*		1
42	13952114	RETAINING SPRING		*		1
43	13952312	FULCRUM SHAFT SPRING		*		1
44	SS6060440TP	SCREW 3/32-56 L=3.5		*		2
45	D2056772B0B	WASHER B T=0.4	SELECTIVE PARTS	*		2
46	D2056772B0A	SPRING WASHER B D=0.3	SELECTIVE PARTS	*		2
47	D2056772B0C	SPRING WASHER B D=0.5	SELECTIVE PARTS	*		2



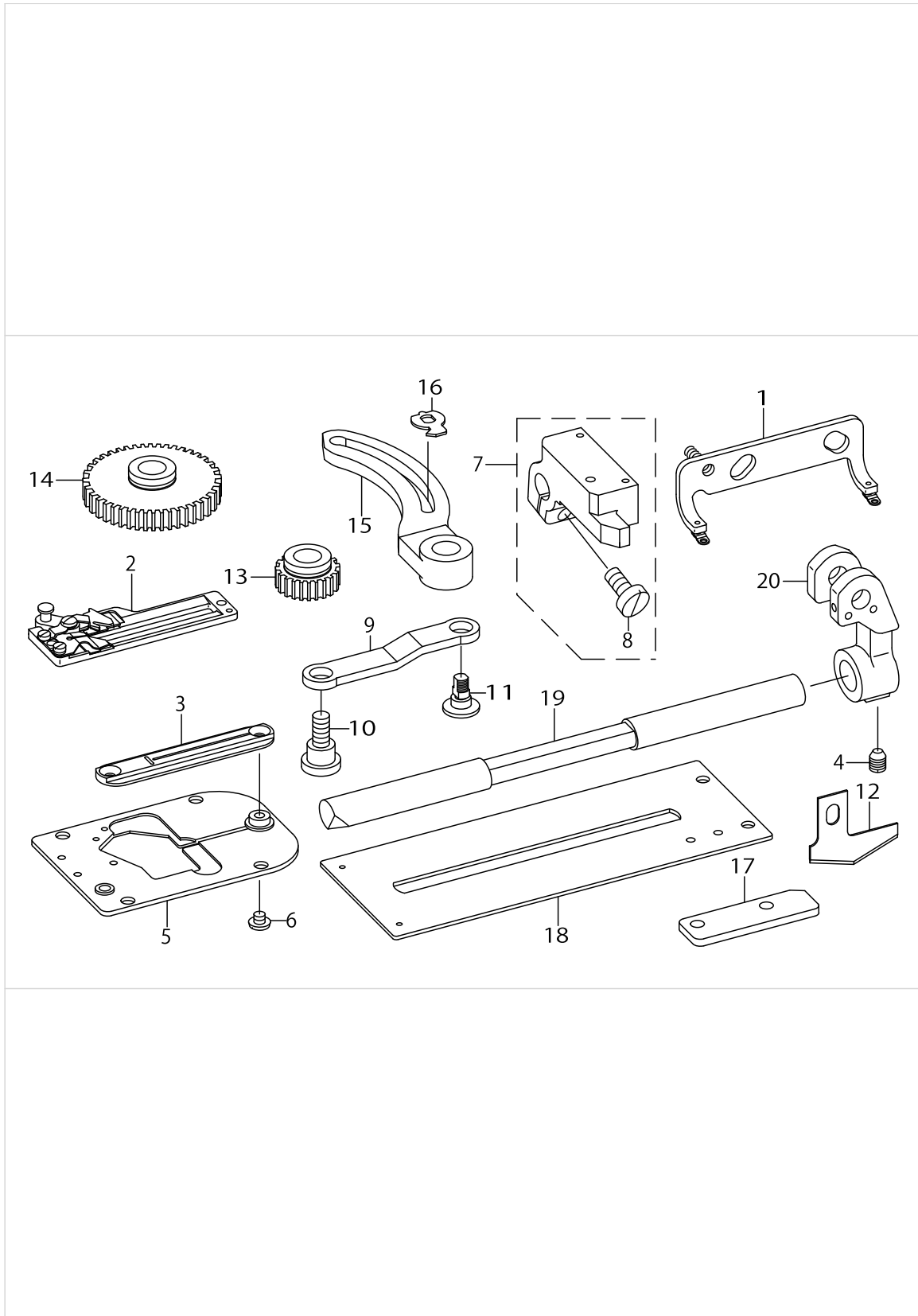
## LBH-772NB-1, LBH-782NB

No.	Parts No.	Parts name	Remarks	Level	Cons	Qty
48	D2056772B0D	WASHER B T=0.6	SELECTIVE PARTS	*		2
49	SS4080320TP	SCREW 1/8-44 L=3.4		*		1
50	WP0360516SD	WASHER M3		*		1
51	D2056772B0B	WASHER B T=0.4		*		1
52	D2055772B00	WASHER A T=1.0		*		1
53	SS6060410TP	SCREW 3/32-56 L= 3.5				1
54	D9101772B00	HOOK TIMING GAUGE VB				1
55	D1130772B0A	FRAME SIDE COVER 2B				1
56	D1131772B0A	AUXILIARY SIDE COVER				1
57	SS7090520SP	SCREW 9/64-40 L= 4.5				2
58	SS4111015SP	SCREW 11/64-40 L=10				1
59	SS4110815SP	SCREW 11/64-40 L=8				1
60	13957253	GUIDE PLATE ASM.				1
61	D2082772B00	GIMP GUIDE HOLDER				1
62	13950852	PRESSER FOOT 2B ASM.				1
63	B4122804000	ROLLER				1
64	NS6110310SP	NUT 11/64-40				1
65	SS8111010TP	SCREW 11/64-40 L=9.5				1
66	SS7111310TP	SCREW 11/64-40 L=12.8				1
67	13952601	FINGER GUARD (LEFT)				1
68	SD0600271SP	HINGE SCREW D= 6 H= 2.7				1
69	B3917880000	WASHER				1
70	CS0790731SH	THRUST COLLAR				1
71	SS8110422TP	SCREW 11/64-40 L=4				2
72	D2402772B00	NEEDLE PLATE 2B				1



LBH-773NB-1, LBH-783NB

No.	Parts No.	Parts name	Remarks	Level	Cons	Qty
1	B2938761000	SPUR GEAR (63)				1
2	B2939761000	SPUR GEAR (300)				1
3	B2702047S00	KNIFE 1-1/4				1
4	D1608773E00	LENGTH REGULATING SHAFT GUIDE				1
5	13959150	PRESSER FOOT 3B ASM.				1
6	13959564	PRESSER JUNCTION (3B)				1

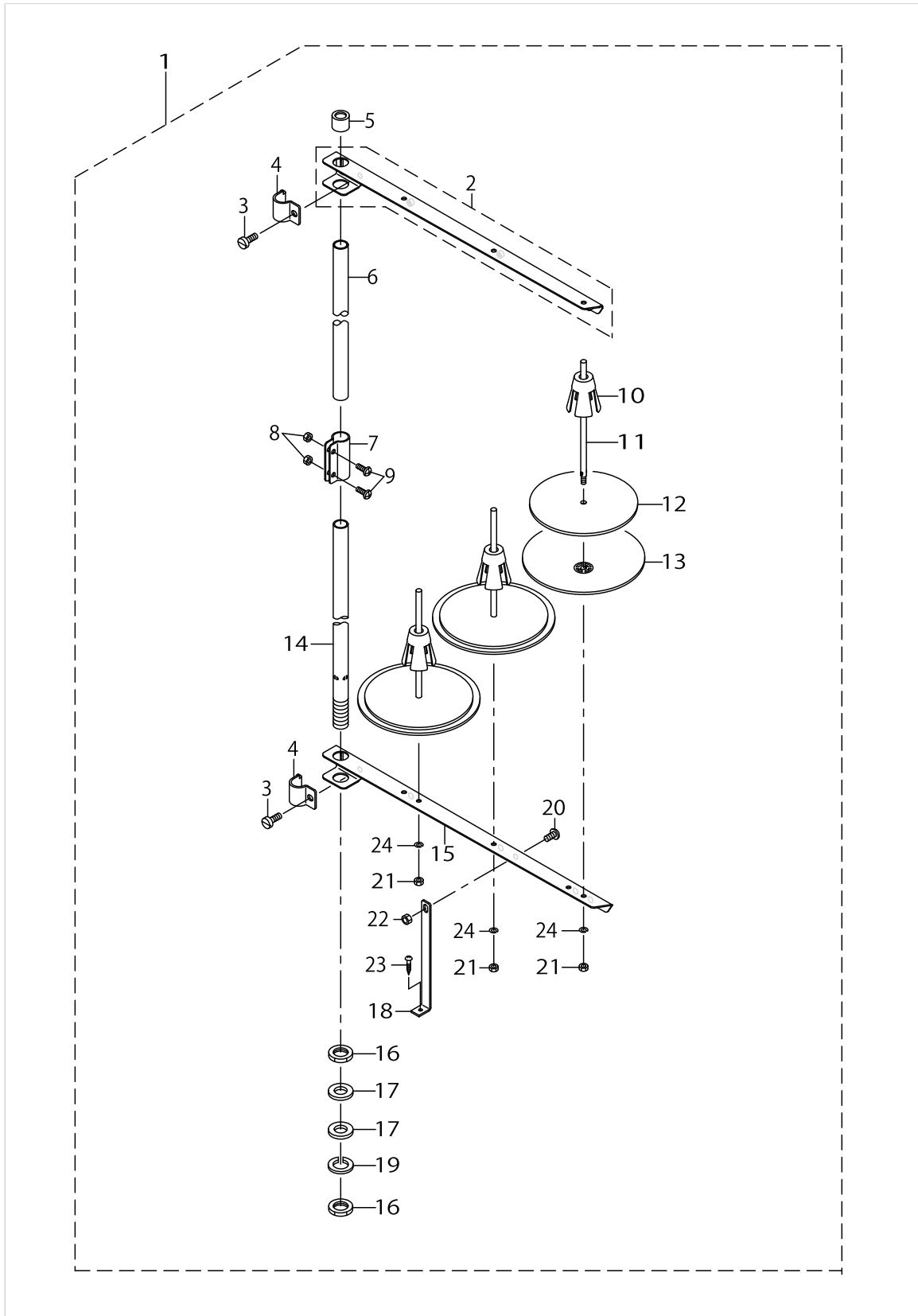


LBH-774NB-1, LBH-784NB

No.	Parts No.	Parts name	Remarks	Level	Cons	Qty
1	13960158	PRESSER FOOT 4B ASM.				1
2	13961263	PRESSER JUNCTION (4B)				1
3	13799200	NEEDLE PLATE 4B				1
4	13960802	WORK CLAMP SHAFT SET SCREW 4				1
5	B24017740A0	THROAT PLATE BASE ASM.				1
6	SS5090320SP	SCREW 9/64-40 L= 3.2				1
7	B16117740A0	WORK CLAMP ARM BRACKET ASM.				1
8	SS6151440SP	SCREW 15/64-28 L=14		*		1
9	B1606774000	WORK CLAMP CARRIER PITMAN				1
10	SD0870401SP	HINGE SCREW D= 8.73 H= 4				1
11	B1605774000	FEED ADJUSTING SHAFT				1
12	B274577400B	KNIFE 1-1/2				1
13	B2936761000	SPUR GEAR (54)				1
14	B2937761000	SPUR GEAR (345)				1
15	B1603774000	LENGTH REGULATING ARM				1
16	B1608774000	LENGTH REGULATING SHAFT GUIDE				1
17	B1612774000	WORK CLAMP ARM BRACKET GUIDE				1
18	B1613774000	WORK CLAMP CARRIER				1
19	13960703	WORK CLAMP CHECK 4				1
20	13960505	PRESSER ARM REGISTER ARM 4				1

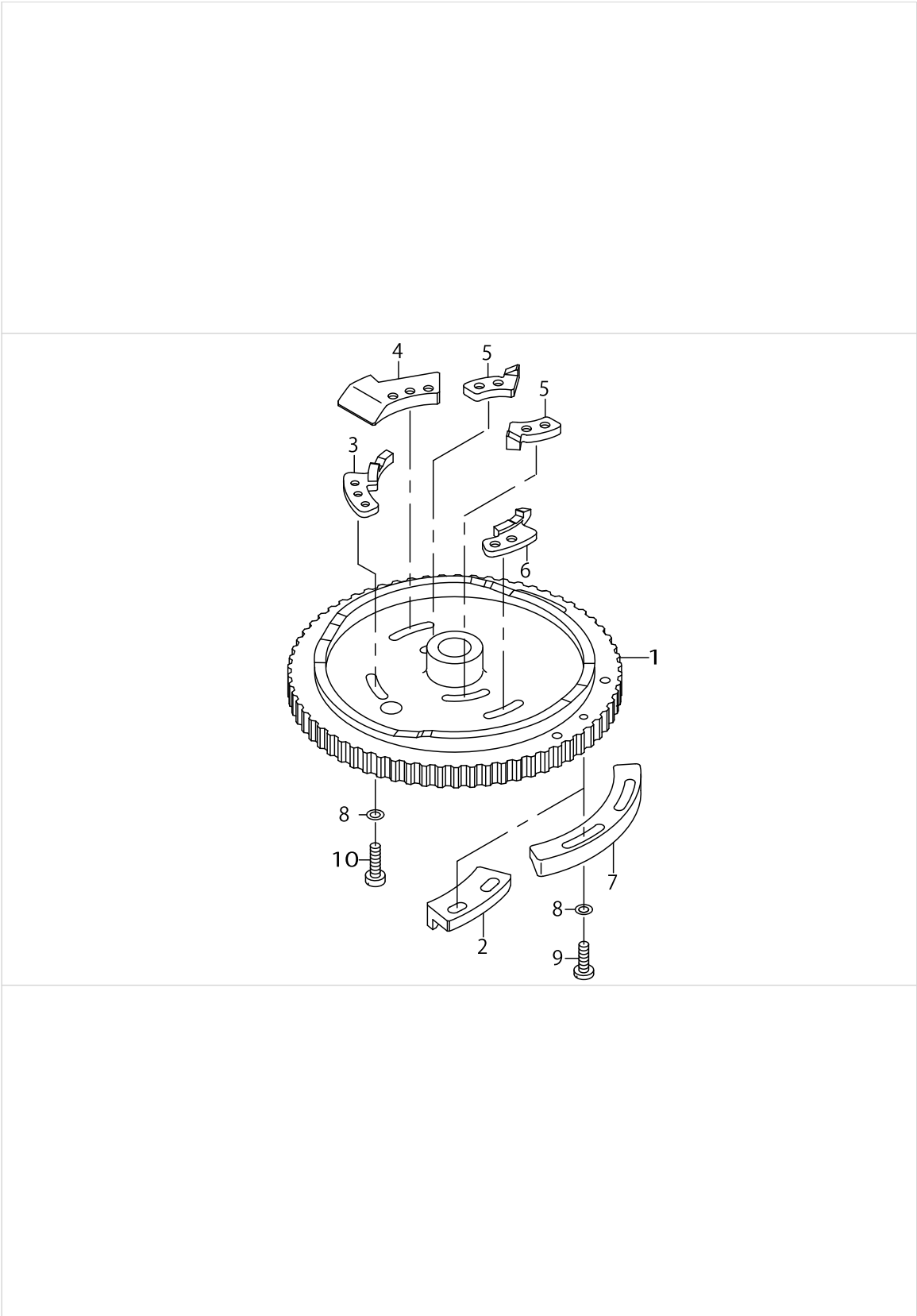


# THREAD STAND COMPONENTS



THREAD STAND COMPONENTS

No.	Parts No.	Parts name	Remarks	Level	Cons	Qty
1	26105551	THREAD STAND ASM.				1
2	13168356	THREAD STANDING ARM ASM. ,LONG		*		1
3	SM6061610SC	SCREW M6 L=16		*		2
4	22930705	THREAD GUIDE ARM JOINT		*		2
5	22931406	SPOOL REST ROD RUBBER CAP		*		1
6	22930408	SPOOL REST ROD, UPPER		*		1
7	22931307	SPOOL REST ROD JOINT		*		1
8	NM6050001SE	NUT M5		*		2
9	SM4051405SE	SCREW M5 L=14		*		2
10	22931109	SPOOL RETAINER		*		3
11	22931000	SPOOL PIN		*		3
12	22930903	SPOOL REST CUSHION		*		3
13	22930804	SPOOL REST		*		3
14	22930309	SPOOL REST ROD, LOWER		*		1
15	13168802	THREAD STANDING ARM ,LONG		*		1
16	NM6160511SE	NUT M16X1.5		*		2
17	WP1612616SE	WASHER 16X30X2.6		*		2
18	13168406	THREAD STANDING ARM SUPPORT A		*		1
19	WS1643202KR	SPRING WASHER		*		1
20	SM4061201SE	SCREW M6 L=12		*		1
21	NM6050001SE	NUT M5		*		3
22	NM6060001SE	NUT M6		*		1
23	SK3382001SE	SCREW D=3.8 L=20		*		1
24	WS0510002KN	SPRING WASHER		*		3



LBH-77\*NV1-1,NB1-1,LBH-78\*NV1,NB1(SEMI-CIRCULAR BARTACKING)

No.	Parts No.	Parts name	Remarks	Level	Cons	Qty
1	13953708	ROUND BEARING CAM (2V)				1
2	D2951782V00	SPEED CHANGING CAM 2V	FOR LBH-780			1
3	13953500	PAD CORD BASE 2 CHANGE CAM				1
4	D2904762V00	KNIFE TRIPPING SEGMENT (2V)				1
5	D9301762V00	GIMP GUIDE TRIPPING SEGMENT NO.1				2
6	13953609	PAD CORD BASE 4 CHANGE CAM				1
7	13913801	SPEED CHANGING SEGMENT				1
8	WP0480856SP	WASHER 4.8X8.4X0.8				12
9	SS7111410SP	SCREW 11/64-40 L=14				2
10	SS6111610SP	SCREW 11/64-40 L=16				10

LIST FOR INFORMATION OF CHANGE

As to the place changed, refer to the corresponding Rev.No.  
 When previous parts(Obsoleted part)and new parts(Added parts)are  
 not interchangeable with each other:  
 In this case, even obsoleted parts(D.)can be ordered with the  
 obsoleted part number, so select the parts with changed dates and  
 place your orders.

変更箇所は、該当Rev.No.版をご参照ください。  
 部品の互換性がない変更の場合は、削除された品番でも、ご注文できます。

<sup>29199700</sup>  
 No.1132-04・・・Rev.No.

\*A:Added parts追加部品/D:Obsoleted parts削除部品/E:Erratum訂正

* D	Rev. No.	Page 頁	Ref. No.	Parts No. 品番	* A	Rev. No.	Page 頁	Ref. No.	Parts No. 品番
	03	14	1	D3301-772-TAB		04	14	1	261-05551

## HOW TO MAKE USE OF THIS PARTS LIST

### 1.Explanation of codes

1)"\*"mark.....means this part is changed from the previous parts book.

As to the details of the change, refer to the "List for information of change".

2)"#01".....refer to "Note" explanation at bottom of page.

### 2.Codes on the "Qty" column

- Each numeral indicates the number of parts required.
- "0.1" and "2.5" indicate the length (in meters) of the respective parts.

3.Parentheses mean that the corresponding part is a subpart that constructs an assembly part.

4.Dotted lines on the Figures indicate assembly parts.

### 1."注記"欄の記号説明

1) "\*"印.....前回のパーツブックに比較して今回変更された部品を意味します。

変更内容は、"変更情報リスト"を参照してください。

2) "#01".....ページ下の"注記"の説明を参照してください。

2.数量欄の数字は、個数を表し、0.1、2.5等の数値は、長さ（単位メートル）を表します。

3.数量欄の（ ）は、組部品を構成している子部品であることを意味します。

4.イラストページの-----枠は、組構成であることを意味します。

Other parts list related to this model.

この機種に関するパーツリストとして下記のパーツリストがあります。

1.LBH-771,2,3,4-1 & Subclasses(No.0715)

High-speed 1-Needle Lockstitch Straight Button-holing Industrial Sewing Machine

高速一本針本縫眠り穴かがりミシン

2.LBH-781,2,3,4(No.0158)

High-speed 1-Needle Lockstitch Straight Button-holing Industrial Sewing Machine

高速一本針本縫眠り穴かがりミシン

# NUMERICAL INDEX OF PARTS

PART NO	PAGE	REF NO.	PART NO	PAGE	REF NO.	PART NO	PAGE	REF NO.
10120004	16	16	13955109	6	51	22930804	24	13
11528809	8	15	13955208	6	50	22930903	24	12
13168356	24	2	13955307	6	54	22931000	24	11
13168406	24	18	13955406	4	30	22931109	24	10
13168802	24	15	13955505	4	31	22931307	24	7
13515606	4	19	13955604	4	34	22931406	24	5
13737804	2	30	13955703	4	37	26105551	24	1
13799200	22	3	13955802	2	18	B111376100AA	2	1
13913801	8	47	13955901	8	6	B1456057000	16	21
13913801	26	7	13956008	8	7	B1504280000	4	3
13915004	2	35	13956107	4	9	B152752700C	6	53
13915103	6	56	13956305	16	25	B1603774000	14	18
13925805	2	24	13956354	16	24	B1603774000	22	15
13925904	2	36	13956404	16	26	B1605774000	14	8
13926308	2	25	13956503	16	27	B1605774000	22	11
13950407	8	14	13956602	16	28	B1606774000	14	6
13950753	2	19	13957253	18	60	B1606774000	22	9
13950852	18	62	13957303	16	1	B1608774000	14	15
13950902	2	26	13957410	16	2	B1608774000	22	16
13951009	2	17	13957501	16	4	B16117740A0	14	9
13951108	2	21	13957600	16	5	B16117740A0	22	7
13951207	2	15	13957709	16	6	B1612774000	14	21
13951306	4	47	13957808	16	7	B1612774000	22	17
13951405	2	20	13957907	16	8	B1613774000	14	14
13951801	16	39	13958012	16	14	B1613774000	22	18
13951900	16	40	13958103	16	15	B18087610AB	8	36
13952007	16	41	13958350	16	38	B2016357A00	8	3
13952114	16	42	13958368	16	37	B2024771000	2	4
13952312	16	43	13958509	16	10	B2039373000	8	13
13952502	2	23	13958608	16	12	B24017740A0	14	4
13952601	18	67	13959051	12	5	B24017740A0	22	5
13953054	2	2	13959150	20	5	B2702047Q00	8	34
13953500	8	42	13959564	20	6	B2702047S00	12	3
13953500	26	3	13960059	14	1	B2702047S00	20	3
13953609	8	46	13960158	22	1	B274577400B	14	19
13953609	26	6	13960505	14	13	B274577400B	22	12
13953708	26	1	13960505	22	20	B2936761000	14	16
13954052	2	29	13960703	14	12	B2936761000	22	13
13954300	4	4	13960703	22	19	B2937761000	14	17
13954409	4	14	13960802	14	20	B2937761000	22	14
13954508	4	23	13960802	22	4	B2938761000	12	1
13954656	4	18	13961263	22	2	B2938761000	20	1
13954805	4	22	22930309	24	14	B2939761000	12	2
13954904	6	48	22930408	24	6	B2939761000	20	2
13955000	6	52	22930705	24	4	B2944761000	8	2

# NUMERICAL INDEX OF PARTS

PART NO	PAGE	REF NO.	PART NO	PAGE	REF NO.	PART NO	PAGE	REF NO.
B2945761000	8	1	D2902762V00	8	41	SD0790204SP	16	22
B3107352000	8	18	D2903762V00	8	45	SD0791271SP	2	34
B3107804000	8	29	D2904762V00	8	43	SD0870401SP	14	7
B3110771000	8	25	D2904762V00	26	4	SD0870401SP	22	10
B3111761000	8	26	D2951782V00	8	39	SD1000401SP	2	33
B3112761000	8	27	D2951782V00	26	2	SK3382001SE	24	23
B3117352000	8	22	D3106772B00	4	1	SM4051405SE	24	9
B3118352000	8	21	D3110772TA0	8	23	SM4061201SE	24	20
B3119352000	8	19	D3130772B00	4	7	SM6061610SC	24	3
B3119771000	8	32	D9101771K00	10	51	SS2090530SP	14	3
B3120125000	8	31	D9101772B00	18	54	SS2090530SP	16	30
B3126012000	8	28	D9301762V00	8	44	SS4080320TP	18	49
B3129012A00	8	30	D9301762V00	26	5	SS4110815SP	18	59
B3917880000	18	69	D9302762T00	4	26	SS4111015SP	18	58
B4122804000	4	16	D9303762T00	4	28	SS4111215SP	10	52
B4122804000	18	63	D9309762T00	4	36	SS5060410SP	2	9
B8219125000	4	6	D9314762T00	4	43	SS5090320SP	14	5
CS0790731SH	18	70	D9315762T00	4	44	SS5090320SP	22	6
D1130772B0A	18	55	D9317762T00	4	21	SS6060210SP	2	37
D1131772B0A	18	56	D9332762T00	8	5	SS6060410TP	2	11
D1508772K00	2	12	D9333762T00	8	10	SS6060410TP	18	53
D1508773K00	12	6	D9334762T00	8	12	SS6060440TP	16	44
D1508774K00	14	11	D9335762T00	2	6	SS6090510SP	4	42
D1516772B00	2	16	D9335762TA0	2	5	SS6090560TP	16	31
D1608772E00A	8	35	D9336762T00	2	7	SS6090810TP	16	32
D1608773E00	12	4	MAO32003000	16	29	SS6110610TP	16	33
D1608773E00	20	4	NM6050001SE	24	21	SS6110820TP	2	27
D2055772B00	18	52	NM6060001SE	24	22	SS6111010SP	16	34
D2056772B0A	16	46	NM6160511SE	24	16	SS6111010TP	8	8
D2056772B0B	16	51	NS6090310SP	4	38	SS6111040SP	2	14
D2056772B0B	18	51	NS6110310SP	16	64	SS6111610SP	10	50
D2056772B0C	16	47	NS6110310SP	18	64	SS6111610SP	26	10
D2056772B0D	18	48	NS6110420SP	2	32	SS6151440SP	14	10
D2063772B00	16	3	NS6110420SP	4	29	SS6151440SP	22	8
D2064772B00	16	9	NS6110530SP	8	38	SS7060310SP	2	10
D2073772B00	16	11	NS6150310SP	8	16	SS7090520SL	8	11
D2075772B00	16	13	NS6700420SP	8	9	SS7090520SP	18	57
D2082772B00	18	61	PS0200102KH	4	33	SS7090910SP	4	15
D2083772B00	4	13	RC0841011KP	4	24	SS7090910TP	4	40
D2402772B00	18	72	SD0500722TP	2	31	SS7110710SP	2	22
D2402772K00	2	13	SD0600271SP	18	68	SS7110710SP	4	41
D2402774K00	14	2	SD0600291TP	16	19	SS7110740TP	4	32
D2604772B00	4	2	SD0640321SP	16	18	SS7110840SP	4	49
D2615762V00	8	33	SD0640482SP	4	35	SS7110840SP	6	49
D2901772V0C	8	40	SD0720421SP	16	20	SS7110910TP	2	28



## NUMERICAL INDEX OF PARTS

PART NO	PAGE	REF NO.
SS7110910TP	4	39
SS7111120SP	4	10
SS7111310TP	18	66
SS7111410SP	10	49
SS7111410SP	26	9
SS7111410TP	8	4
SS7151210SP	4	5
SS8090670SP	8	24
SS8110422TP	18	71
SS8111010TP	18	65
SS8660512TP	4	17
SS8661212TP	4	20
WP0250516SD	2	8
WP0360516SD	18	50
WP0371036SD	2	3
WP0450000SD	8	37
WP0480856SP	10	48
WP0480856SP	16	35
WP0480856SP	26	8
WP0501016SD	4	46
WP0600816SP	6	55
WP0612516SD	8	17
WP0651056SD	16	36
WP1002066SZ	4	25
WP1612616SE	24	17
WS0510002KN	24	24
WS1643202KR	24	19