

MODEL : AMS-221 SUBCLASSES

List No : 1130-00

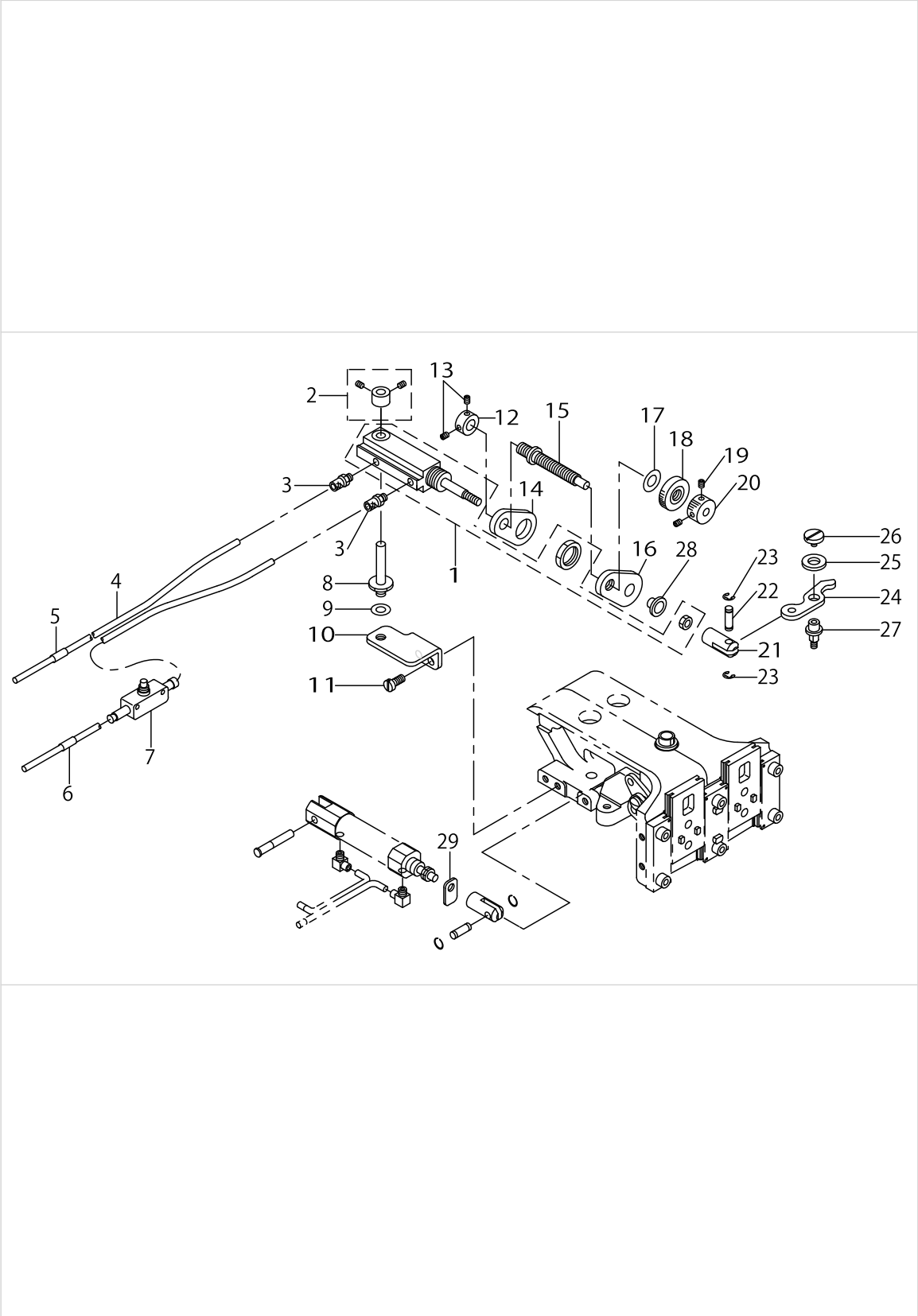
PARTS LIST

Published:09/10/2017

CONTENTS

CLOTH FEED MECHANISM COMPONENTS.....	1
PNEUMATIC COMPONENTS	3
CLOTH FEED MECHANISM COMPONENTS.....	5
PNEUMATIC COMPONENTS	7
ACCESSORIES PARTS COMPONENTS	9
CLOTH FEED MECHANISM COMPONENTS.....	11
PNEUMATIC COMPONENTS	15
NEEDLE BAR,PRESSER MECHANISM & ACCESSORIES PARTS COMPONENTS.....	17
HOW TO MAKE USE OF THIS PARTS LIST	19

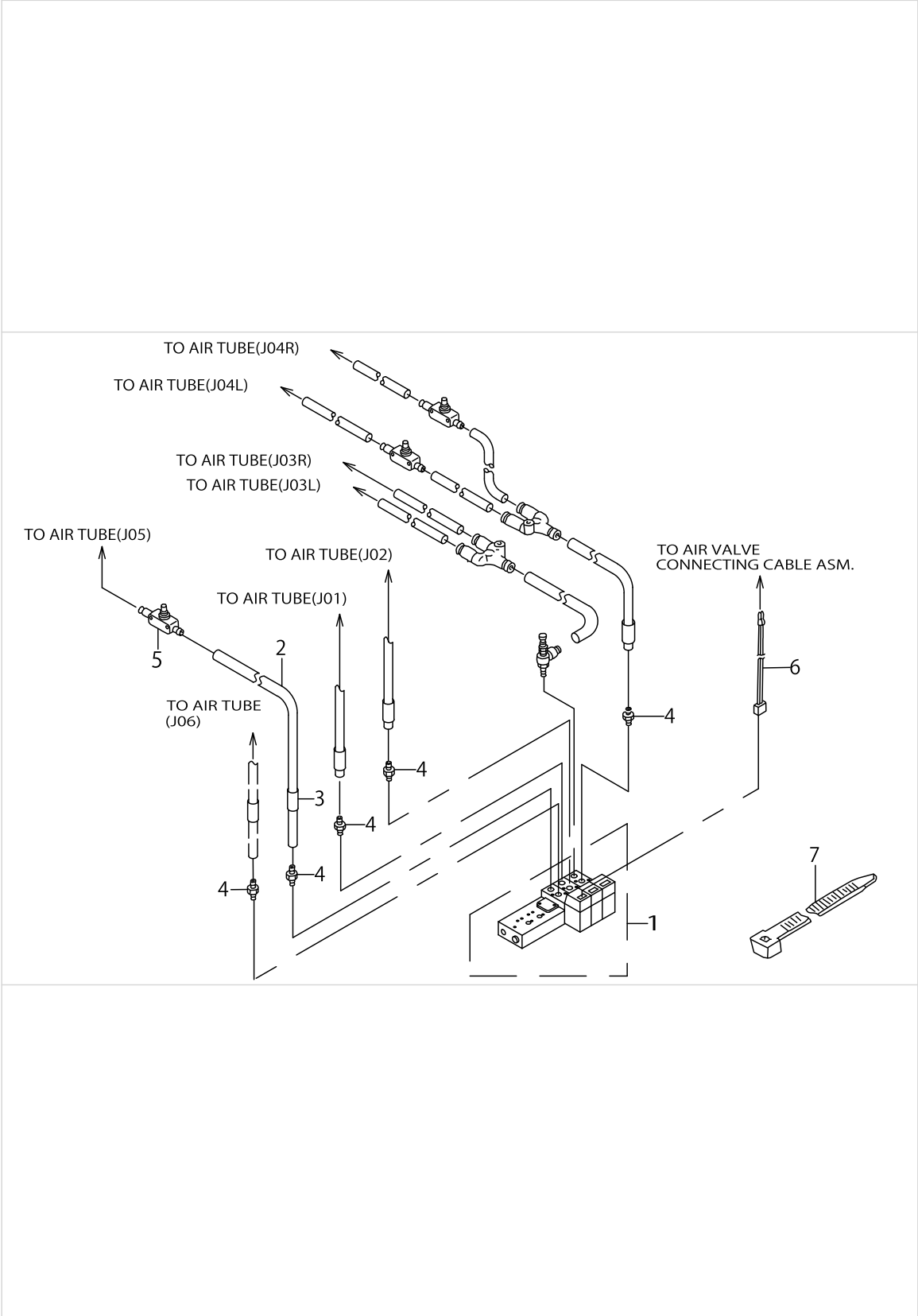
CLOTH FEED MECHANISM COMPONENTS



CLOTH FEED MECHANISM COMPONENTS

No.	Parts No.	Parts name	Remarks	Level	Cons	Qty
1	PA1602006A0	AIR CYLINDER				1
2	B25792290A0	THRUST BEARING				1
3	PJ032052503	HOSE NIPPLE				2
4	BT0400251EB	URETHANE HOSE, BLACK				2.5
5	B471122000E	AIR TUBE LABEL J05				1
6	B471122000F	AIR TUBE LABEL J06				1
7	PC012401000	SPEED CONTROLLER				1
8	B2528215000	SHAFT				1
9	WP0650876SD	WASHER 6.5X13X0.8				1
10	B2514221000	INSTALLING PLATE				1
11	SS6121010SP	SCREW 3/16-28 L=10				2
12	CS0790731SH	THRUST COLLAR				1
13	SS8110422TP	SCREW 11/64-40 L=4				2
14	B2518215000	BRACKET				1
15	B2527215000	REGULATION SCREW				1
16	B2518221000	REGULATION PLATE				1
17	WP0820816SD	WASHER 8.2X16X0.8				1
18	B3012816000	NUT				1
19	SS8110422TP	SCREW 11/64-40 L=4				2
20	B2304205000	KNOB				1
21	B1625220000	CYLINDER KNUCKLE				1
22	B1626220000	CYLINDER PIN				1
23	RE0300000K0	E-RING 3				2
24	B2516215000	LEVER				1
25	B185351200EA	SPACER				1
26	SS6110520TP	SCREW 11/64-40 L=4.5				1
27	B3012490000	DRIVING LINK SHAFT				1
28	B2548215000	BUSHING				1
29	B2530215000	PRESSER PLATE				1

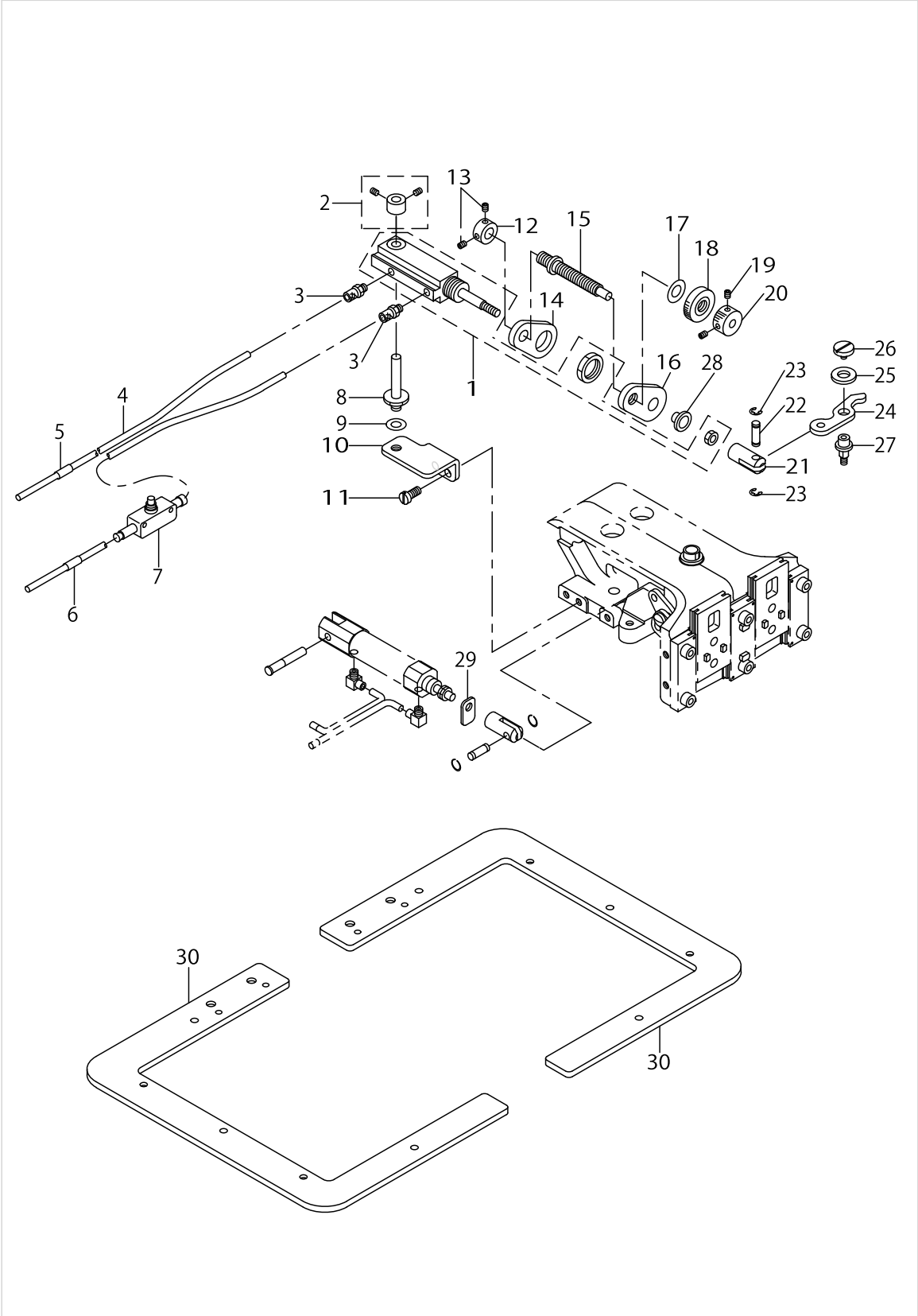
PNEUMATIC COMPONENTS



PNEUMATIC COMPONENTS

No.	Parts No.	Parts name	Remarks	Level	Cons	Qty
1	PV0351240B0	SOLENOID VALVE ASM.				1
2	BT0400251EB	URETHANE HOSE, BLACK				1.5
3	B471122000E	AIR TUBE LABEL J05				1
4	PJ032052503	HOSE NIPPLE				5
5	PC012401000	SPEED CONTROLLER				1
6	B47122150A0	SOLENOID VALVE CONNECTOR ASM.				1
7	HX002330000	CLIP				8

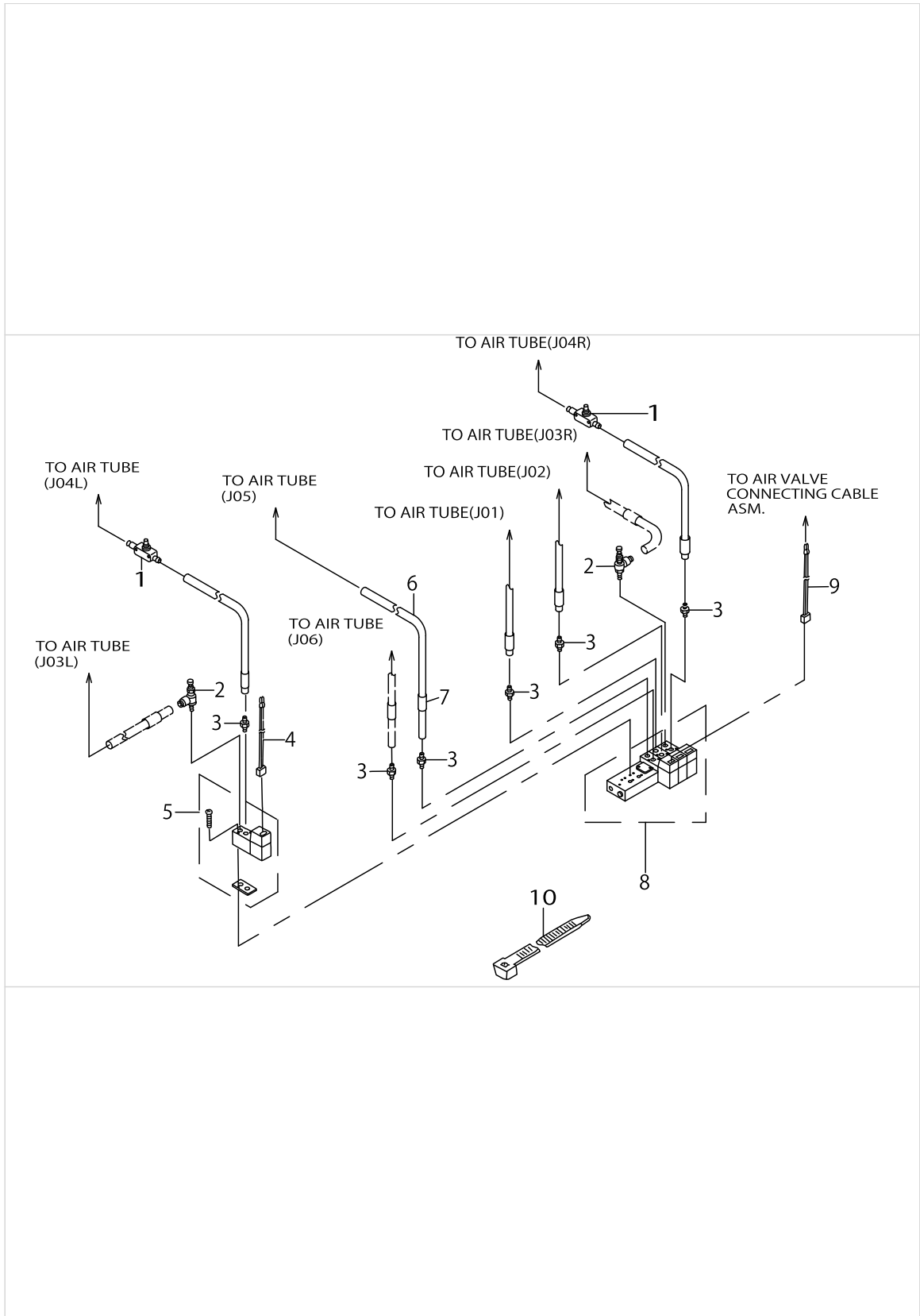
CLOTH FEED MECHANISM COMPONENTS



CLOTH FEED MECHANISM COMPONENTS

No.	Parts No.	Parts name	Remarks	Level	Cons	Qty
1	PA1602006A0	AIR CYLINDER				1
2	B25792290A0	THRUST BEARING				1
3	PJ032052503	HOSE NIPPLE				2
4	BT0400251EB	URETHANE HOSE, BLACK				2.5
5	B471122000E	AIR TUBE LABEL J05				1
6	B471122000F	AIR TUBE LABEL J06				1
7	PC012401000	SPEED CONTROLLER				1
8	B2528215000	SHAFT				1
9	WP0650876SD	WASHER 6.5X13X0.8				1
10	B2514221000	INSTALLING PLATE				1
11	SS6121010SP	SCREW 3/16-28 L=10				2
12	CS0790731SH	THRUST COLLAR				1
13	SS8110422TP	SCREW 11/64-40 L=4				2
14	B2518215000	BRACKET				1
15	B2527215000	REGULATION SCREW				1
16	B2518221000	REGULATION PLATE				1
17	WP0820816SD	WASHER 8.2X16X0.8				1
18	B3012816000	NUT				1
19	SS8110422TP	SCREW 11/64-40 L=4				2
20	B2304205000	KNOB				1
21	B1625220000	CYLINDER KNUCKLE				1
22	B1626220000	CYLINDER PIN				1
23	RE0300000K0	E-RING 3				2
24	B2516215000	LEVER				1
25	B185351200EA	SPACER				1
26	SS6110520TP	SCREW 11/64-40 L=4.5				1
27	B3012490000	DRIVING LINK SHAFT				1
28	B2548215000	BUSHING				1
29	B2530215000	PRESSER PLATE				1
30	B2606221000	FRAME				2

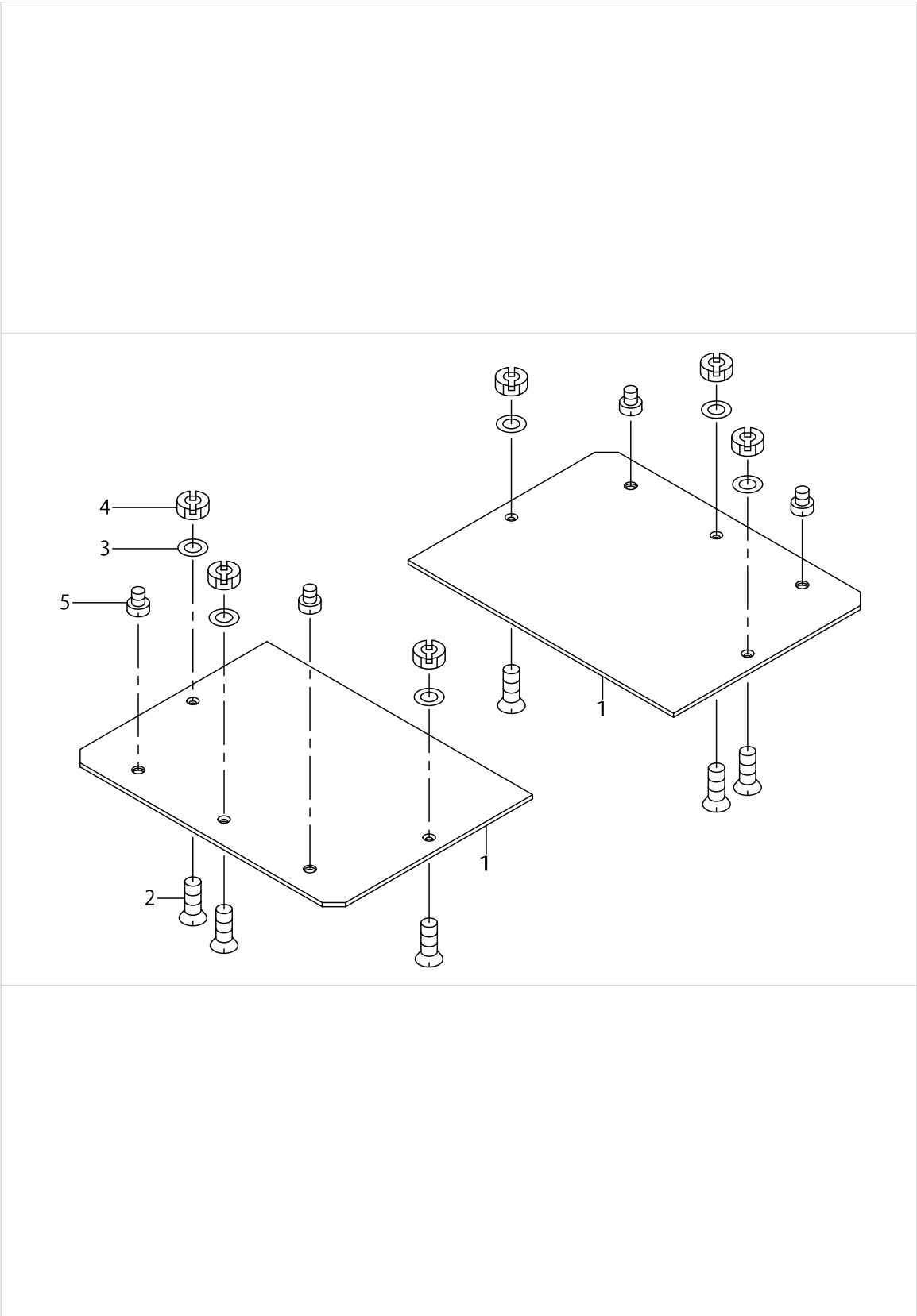
PNEUMATIC COMPONENTS



PNEUMATIC COMPONENTS

No.	Parts No.	Parts name	Remarks	Level	Cons	Qty
1	PC012401000	SPEED CONTROLLER				2
2	PF070501000	PRESSURE DECREASING VALVE				2
3	PJ032052503	HOSE NIPPLE				6
4	B4712215AA0	SOLENOID VALVE CONNECTOR ASM.A				1
5	PV140501000	SOLENOID VALVE				1
6	BT0400251EB	URETHANE HOSE, BLACK				1.5
7	B471122000E	AIR TUBE LABEL J05				1
8	PV0351240B0	SOLENOID VALVE ASM.				1
9	B47122150A0	SOLENOID VALVE CONNECTOR ASM.				1
10	HX002330000	CLIP				8

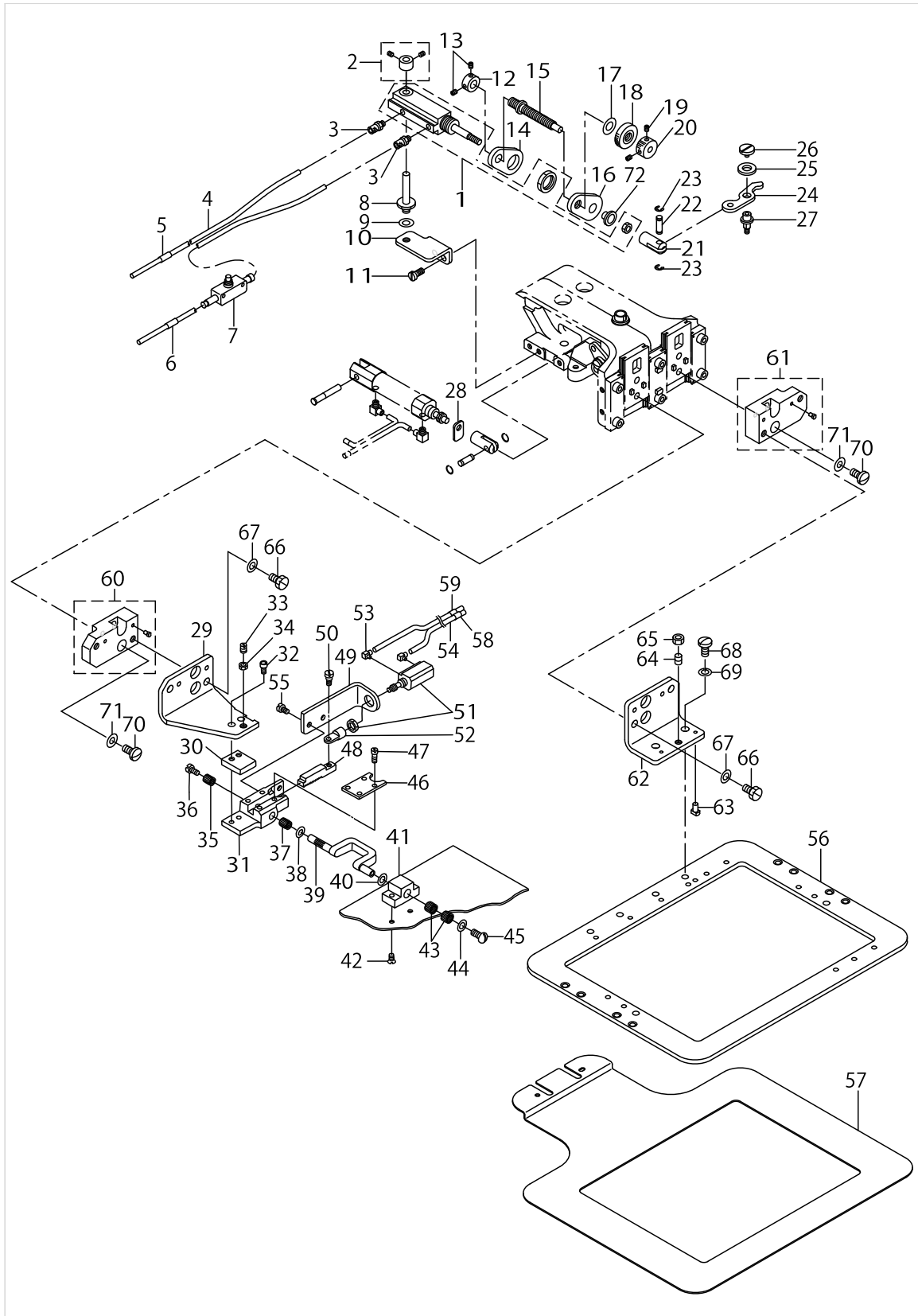
ACCESSORIES PARTS COMPONENTS



ACCESSORIES PARTS COMPONENTS

No.	Parts No.	Parts name	Remarks	Level	Cons	Qty
1	B2618221000	PLASTIC BLANK				4
2	SS2111010TP	SCREW 11/64-40 L=9.5				6
3	WP0450000SD	WASHER 4.5X8X0.5				6
4	B1626850000	ADJUSTING NUT				6
5	SS7090410SP	SCREW 9/64-40 L= 3.5				4

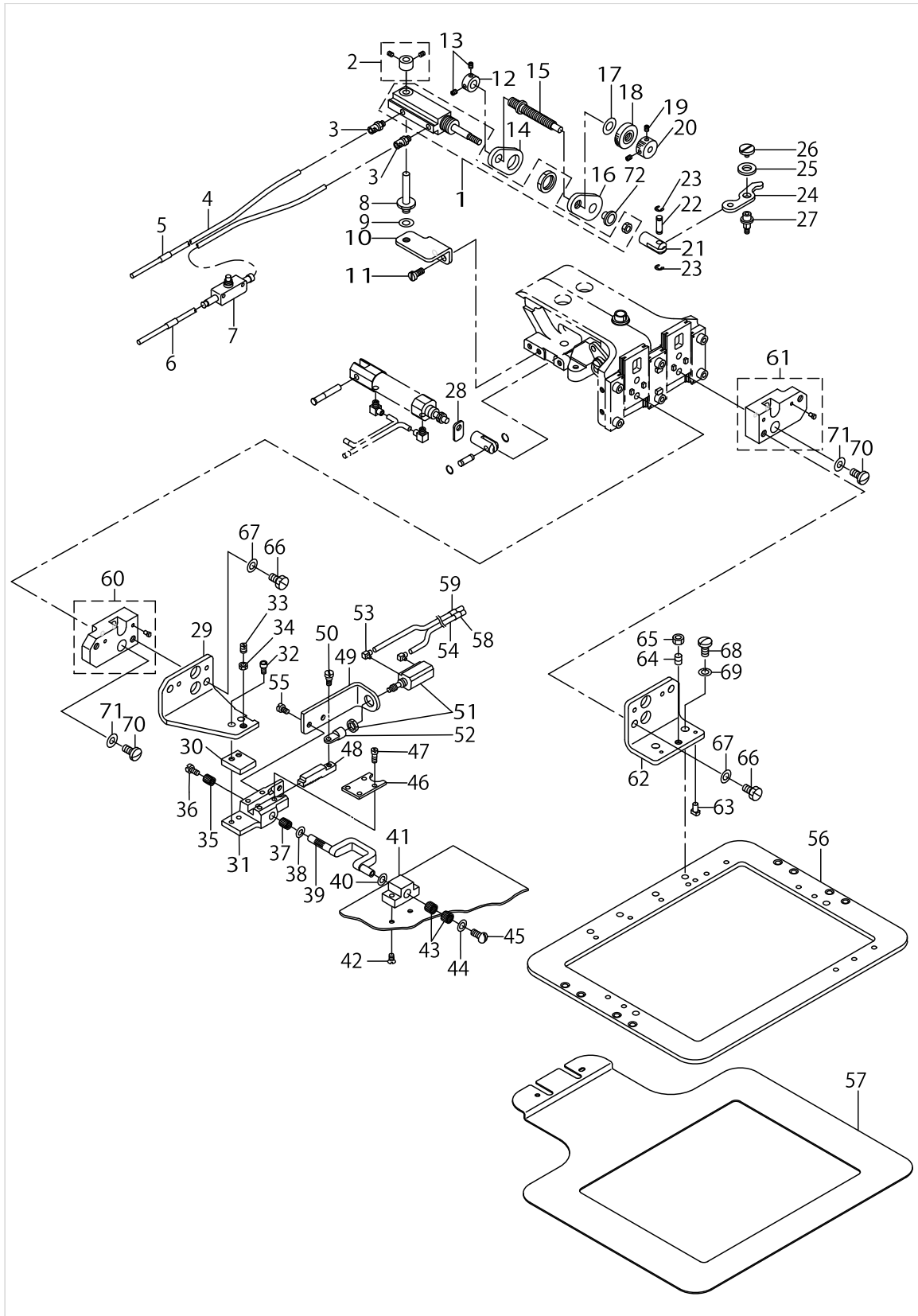
CLOTH FEED MECHANISM COMPONENTS



CLOTH FEED MECHANISM COMPONENTS

No.	Parts No.	Parts name	Remarks	Level	Cons	Qty
1	PA1602006A0	AIR CYLINDER				1
2	B25792290A0	THRUST BEARING				1
3	PJ032052503	HOSE NIPPLE				2
4	BT0400251EB	URETHANE HOSE, BLACK				2.5
5	B471122000E	AIR TUBE LABEL J05				1
6	B471122000F	AIR TUBE LABEL J06				1
7	PC012401000	SPEED CONTROLLER				1
8	B2528215000	SHAFT				1
9	WP0650876SD	WASHER 6.5X13X0.8				1
10	B2514221000	INSTALLING PLATE				1
11	SS6121010SP	SCREW 3/16-28 L=10				2
12	CS0790731SH	THRUST COLLAR				1
13	SS8110422TP	SCREW 11/64-40 L=4				2
14	B2518215000	BRACKET				1
15	B2527215000	REGULATION SCREW				1
16	B2518221000	REGULATION PLATE				1
17	WP0820816SD	WASHER 8.2X16X0.8				1
18	B3012816000	NUT				1
19	SS8110422TP	SCREW 11/64-40 L=4				2
20	B2304205000	KNOB				1
21	B1625220000	CYLINDER KNUCKLE				1
22	B1626220000	CYLINDER PIN				1
23	RE0300000K0	E-RING 3				2
24	B2516215000	LEVER				1
25	B185351200EA	SPACER				1
26	SS6110520TP	SCREW 11/64-40 L=4.5				1
27	B3012490000	DRIVING LINK SHAFT				1
28	B2530215000	PRESSER PLATE				1
29	B4301221000	INNER PRESSER FOOT				1
30	B4303220000	SPACER				1
31	B4302220000	BEARING				1
32	SS6151412TP	SCREW 15/64-28 L=14				2
33	SS8150912TH	SCREW 15/64-28 L=9				1
34	NS6150310SP	NUT 15/64-28				1
35	SB307000100	NEEDLE BEARING				1
36	SS6110640SP	SCREW 11/64-40 L=6				1
37	SB307000200	BEARING				1
38	B4328220000	WASHER				1
39	B4309220000	CRANK SHAFT				1
40	B4328220000	WASHER				1
41	B4320220000	SUPPORT BASE				1
42	SS1121010SP	SCREW				2
43	SB307000100	NEEDLE BEARING				2
44	B322877100B	BOBBIN WINDER SPACER				1
45	SS5110710SP	SCREW 11/64-40 L=7				1
46	B4304220000	SUPPORT RACK				1
47	SS7090910TP	SCREW 9/64-40 L= 8.5				4

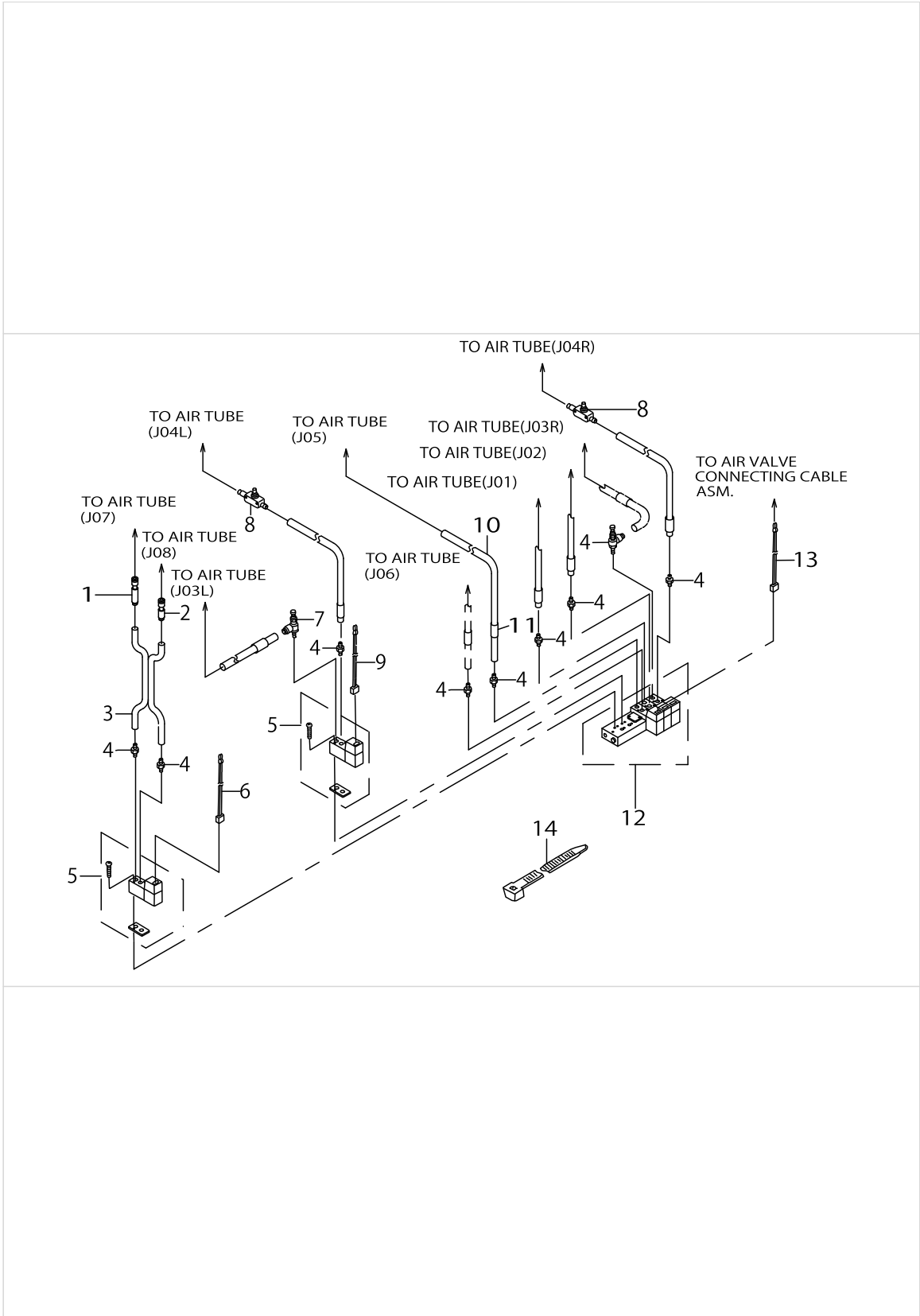
CLOTH FEED MECHANISM COMPONENTS



CLOTH FEED MECHANISM COMPONENTS

No.	Parts No.	Parts name	Remarks	Level	Cons	Qty
48	B4305220000	TURN RACK				1
49	B4307220000	BRACKET				1
50	SD0460703TP	HINGE SCREW D=4.6 H=7				1
51	B4327220000	CYLINDER				1
52	B4306220000	KNUCKLE				1
53	PJ046052503	HOSE ELBOW				2
54	BT0400251EB	URETHANE HOSE, BLACK				1.5
55	SS7150940SP	SCREW 15/64-28 L=9				2
56	B2553215A00	FRAME				1
57	B2556221A00	LOWER PLATE				1
58	B471122000I	AIR TUBE LABEL J07				1
59	B471122000J	AIR TUBE LABEL J08				1
60	B26032210A0	RECEIVER PLATE BASE ASM.,LEFT				1
61	B26022210A0	RECEIVER PLATE BASE ASM.,RIGHT				1
62	B2604221000	RECEIVER PLATE,RIGHT				1
63	B1816280000	GUIDE PIN				2
64	SS8150822TP	SCREW 15/64-28 L=8				1
65	NS6150330SD	NUT 15/64-28				1
66	SS9151120CP	SCREW 15/64-28 L=11				4
67	WP0651056SD	WASHER 6.5X11X1				4
68	SS7150910TP	SCREW 15/64-28 L=9				2
69	WP0651056SD	WASHER 6.5X11X1				2
70	SS7151210SP	SCREW 15/64-28 L=12				4
71	WP0621026SP	WASHER 6.2X9.5X1				4
72	B2548215000	BUSHING				1

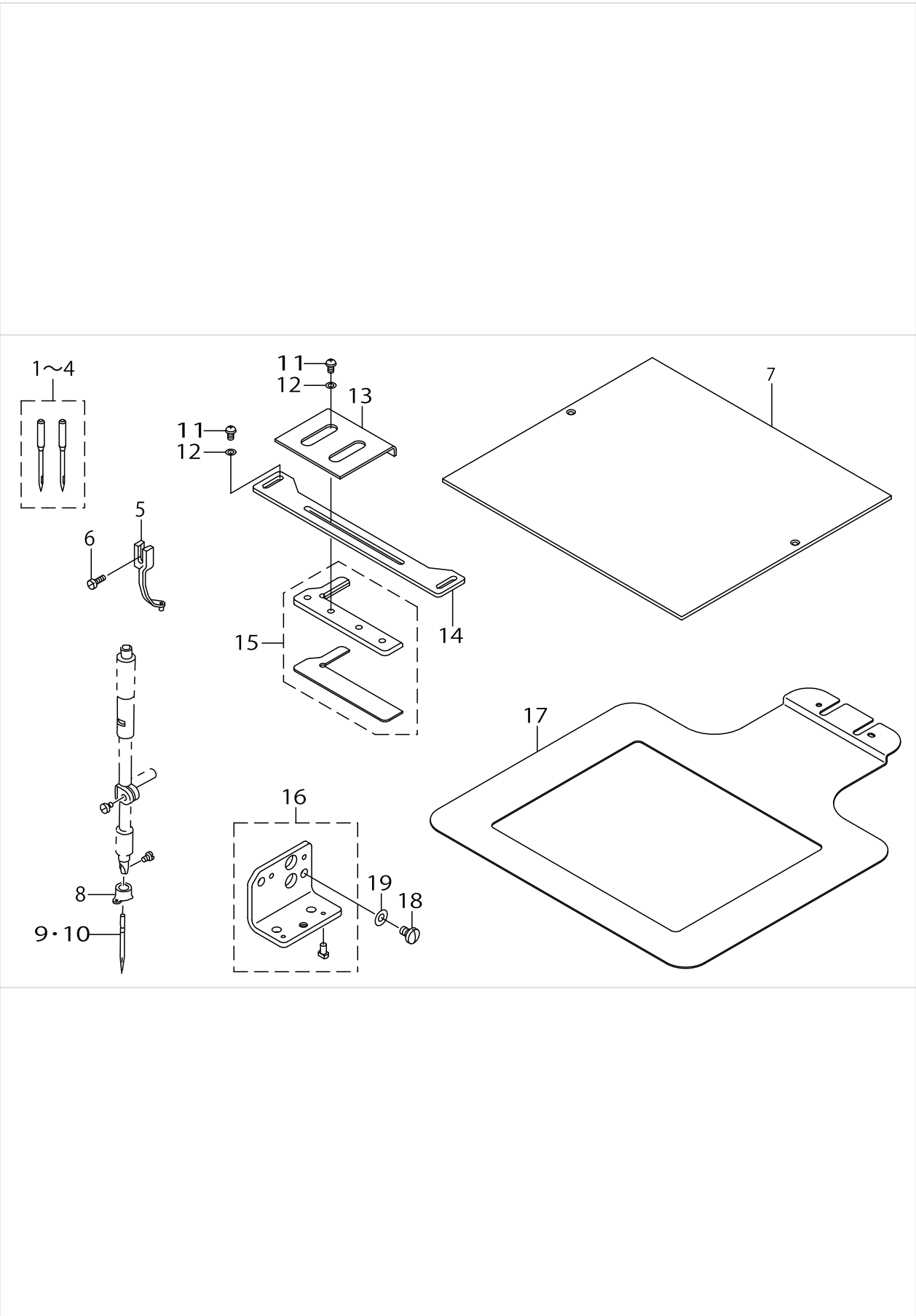
PNEUMATIC COMPONENTS



PNEUMATIC COMPONENTS

No.	Parts No.	Parts name	Remarks	Level	Cons	Qty
1	PJ303040004	QUICK COUPLING				1
2	PJ303040002	STRAIGHT UNION				1
3	BT0400251EB	URETHANE HOSE, BLACK				1.5
4	PJ032052503	HOSE NIPPLE				8
5	PV140501000	SOLENOID VALVE				2
6	B4712215BA0	SOLENOID VALVE CONNECTOR ASM.B				1
7	PF070501000	PRESSURE DECREASING VALVE				2
8	PC012401000	SPEED CONTROLLER				2
9	B4712215AA0	SOLENOID VALVE CONNECTOR ASM.A				1
10	BT0400251EB	URETHANE HOSE, BLACK				0.7
11	B471122000E	AIR TUBE LABEL J05				1
12	PV0351240B0	SOLENOID VALVE ASM.				1
13	B47122150A0	SOLENOID VALVE CONNECTOR ASM.				1
14	HX002330000	CLIP				8

NEEDLE BAR,PRESSER MECHANISM & ACCESSORIES PARTS COMPONENTS



NEEDLE BAR,PRESSER MECHANISM & ACCESSORIES PARTS COMPONENTS

No.	Parts No.	Parts name	Remarks	Level	Cons	Qty
1	MDP170B1402	NEEDLE DPX17#14-2	FOR AMS-221CST-5000(EXCEPT JE)			1
2	MDP170B1802	NEEDLE DPZ17#18-2	FOR AMS-221CHT-5000(EXCEPT JE)			1
3	MC372000902	NEEDLE SY3355 #90-2	FOR AMS-221CST-5000(FOR JE)			1
4	MC372001102	NEEDLE SY3355 #110-2	FOR AMS-221CHT-5000(FOR JE)			1
5	B160122000H	INNER PRESSER, H				1
6	SS7091110SP	SCREW 9/64-40 L=10.5				1
7	B2557215A00	PLASTICS BLANK				2
8	B1406210000	THREAD GUIDE				1
9	MC372000900	NEEDLE 135X17 #90	FOR AMS-221CST-5000(FOR JE)			1
10	MDP170B1400	NEEDLE DPX17 #14	FOR AMS-221CST-5000(EXCEPT JE)			1
11	SS4110715SP	SCREW 11/64-40 L=7				6
12	WP0450000SD	WASHER 4.5X8X0.5				6
13	B4312220000	LABEL GUIDE C				1
14	B4310215000	LABEL GUIDE A				1
15	B43112200A0	LABEL GUIDE B ASM.				1
16	B26052210A0	RECEIVER PLATE,LEFT ASM.				1
17	B2556221000	LOWER PLATE				1
18	SS7150910TP	SCREW 15/64-28 L=9				2
19	WP0651056SD	WASHER 6.5X11X1				2

HOW TO MAKE USE OF THIS PARTS LIST

1.As to "#01" and "#02" refer to the "Note" given at the bottom of the respective pages.

2.Codes on the "Qty" column

- Each numeral indicates the number of parts required.
- "0.1" and "2.5" indicate the length (in meters) of the respective parts.

3.Parentheses mean that the corresponding part is a subpart that constructs an assembly part.

4.Dotted lines on the Figures indicate assembly parts.

1. リストページの# 0 1、# 0 2の印は、ページ下の"注記"の説明を参照下さい。
2. 数量欄の数字は、個数を表し、0. 1、2. 5等の数値は、長さ（単位メートル）を表します。
3. 数量欄の（ ）は、組部品を構成している子部品であることを意味します。
4. イラストページの-----枠は、組構成であることを意味します。

NUMERICAL INDEX OF PARTS

PART NO	PAGE	REF NO.	PART NO	PAGE	REF NO.	PART NO	PAGE	REF NO.
B1406210000	18	8	B25792290A0	6	2	B4712215BA0	16	6
B160122000H	18	5	B25792290A0	12	2	BT0400251EB	2	4
B1625220000	2	21	B26022210A0	14	61	BT0400251EB	4	2
B1625220000	6	21	B26032210A0	14	60	BT0400251EB	6	4
B1625220000	12	21	B2604221000	14	62	BT0400251EB	8	6
B1626220000	2	22	B26052210A0	18	16	BT0400251EB	12	54
B1626220000	6	22	B2606221000	6	30	BT0400251EB	14	54
B1626220000	12	22	B2618221000	10	1	BT0400251EB	16	10
B1626850000	10	4	B3012490000	2	27	CS0790731SH	2	12
B1816280000	14	63	B3012490000	6	27	CS0790731SH	6	12
B185351200EA	2	25	B3012490000	12	27	CS0790731SH	12	12
B185351200EA	6	25	B3012816000	2	18	HX002330000	4	7
B185351200EA	12	25	B3012816000	6	18	HX002330000	8	10
B2304205000	2	20	B3012816000	12	18	HX002330000	16	14
B2304205000	6	20	B322877100B	12	44	MC372000900	18	9-10
B2304205000	12	20	B4301221000	12	29	MC372000902	18	1~4
B2514221000	2	10	B4302220000	12	31	MC372001102	18	1~4
B2514221000	6	10	B4303220000	12	30	MDP170B1400	18	9-10
B2514221000	12	10	B4304220000	12	46	MDP170B1402	18	1~4
B2516215000	2	24	B4305220000	14	48	MDP170B1802	18	1~4
B2516215000	6	24	B4306220000	14	52	NS6150310SP	12	34
B2516215000	12	24	B4307220000	14	49	NS6150330SD	14	65
B2518215000	2	14	B4309220000	12	39	PA1602006A0	2	1
B2518215000	6	14	B4310215000	18	14	PA1602006A0	6	1
B2518215000	12	14	B43112200A0	18	15	PA1602006A0	12	1
B2518221000	2	16	B4312220000	18	13	PC012401000	2	7
B2518221000	6	16	B4320220000	12	41	PC012401000	4	5
B2518221000	12	16	B4327220000	14	51	PC012401000	6	7
B2527215000	2	15	B4328220000	12	40	PC012401000	8	1
B2527215000	6	15	B471122000E	2	5	PC012401000	12	7
B2527215000	12	15	B471122000E	4	3	PC012401000	16	8
B2528215000	2	8	B471122000E	6	5	PF070501000	8	2
B2528215000	6	8	B471122000E	8	7	PF070501000	16	7
B2528215000	12	8	B471122000E	12	5	PJ032052503	2	3
B2530215000	2	29	B471122000E	16	11	PJ032052503	4	4
B2530215000	6	29	B471122000F	2	6	PJ032052503	6	3
B2530215000	12	28	B471122000F	6	6	PJ032052503	8	3
B2548215000	2	28	B471122000F	12	6	PJ032052503	12	3
B2548215000	6	28	B471122000I	14	58	PJ032052503	16	4
B2548215000	14	72	B471122000J	14	59	PJ046052503	14	53
B2553215A00	14	56	B47122150A0	4	6	PJ303040002	16	2
B2556221000	18	17	B47122150A0	8	9	PJ303040004	16	1
B2556221A00	14	57	B47122150A0	16	13	PV0351240B0	4	1
B2557215A00	18	7	B4712215AA0	8	4	PV0351240B0	8	8
B25792290A0	2	2	B4712215AA0	16	9	PV0351240B0	16	12

NUMERICAL INDEX OF PARTS

PART NO	PAGE	REF NO.
PV140501000	8	5
PV140501000	16	5
RE0300000K0	2	23
RE0300000K0	6	23
RE0300000K0	12	23
SB307000100	12	43
SB307000200	12	37
SD0460703TP	14	50
SS1121010SP	12	42
SS2111010TP	10	2
SS4110715SP	18	11
SS5110710SP	12	45
SS6110520TP	2	26
SS6110520TP	6	26
SS6110520TP	12	26
SS6110640SP	12	36
SS6121010SP	2	11
SS6121010SP	6	11
SS6121010SP	12	11
SS6151412TP	12	32
SS7090410SP	10	5
SS7090910TP	12	47
SS7091110SP	18	6
SS7150910TP	14	68
SS7150910TP	18	18
SS7150940SP	14	55
SS7151210SP	14	70
SS8110422TP	2	19
SS8110422TP	6	19
SS8110422TP	12	19
SS8150822TP	14	64
SS8150912TH	12	33
SS9151120CP	14	66
WP0450000SD	10	3
WP0450000SD	18	12
WP0621026SP	14	71
WP0650876SD	2	9
WP0650876SD	6	9
WP0650876SD	12	9
WP0651056SD	14	69
WP0651056SD	18	19
WP0820816SD	2	17
WP0820816SD	6	17
WP0820816SD	12	17