

MODEL : FLS-351N

List No : 1118-01

# PARTS LIST

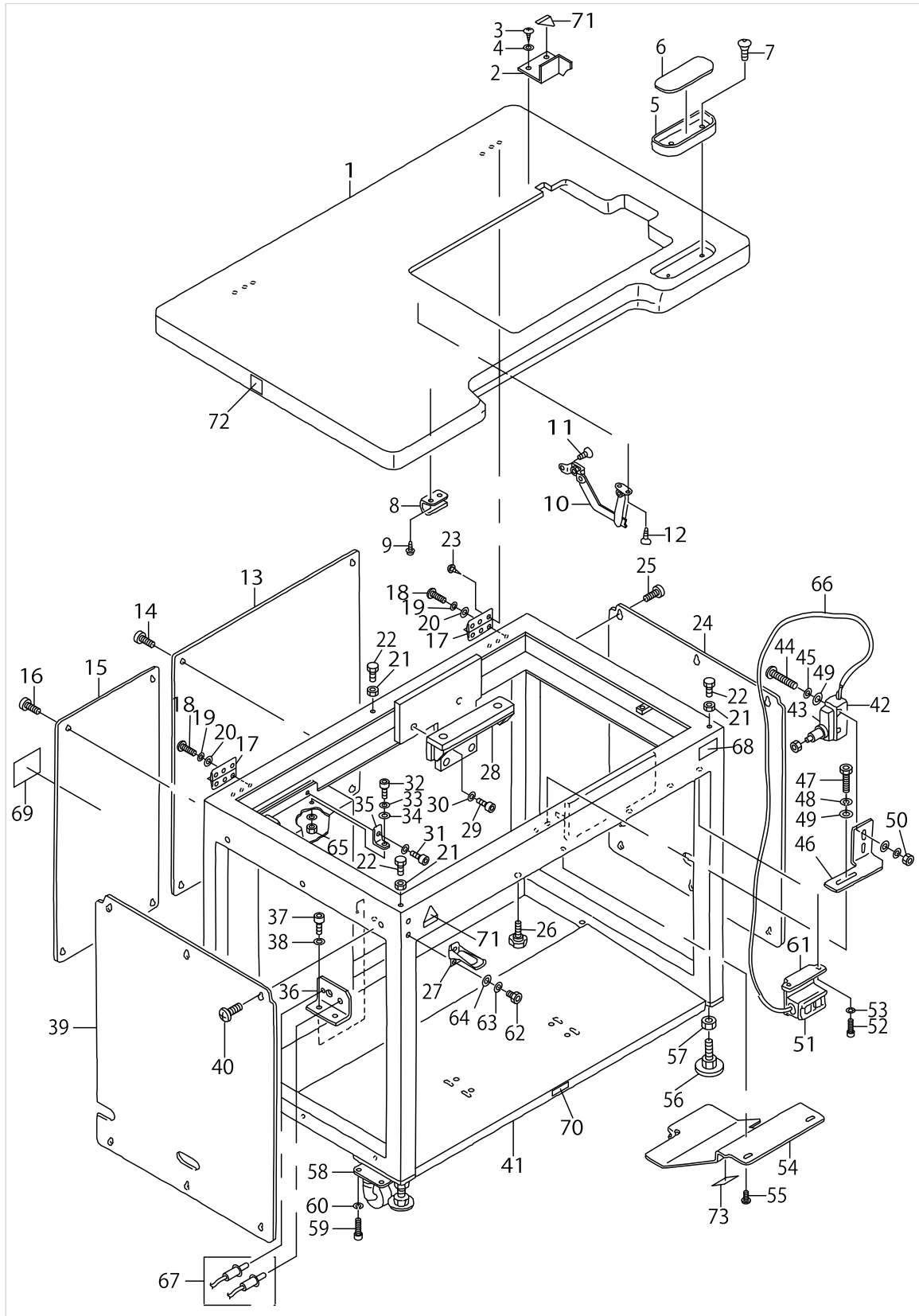
Published:09/10/2017

## CONTENTS

---

FRAME & COVER COMPONENTS.....	1
GEAR BOX FRAME COMPONENTS(1).....	5
GEAR BOX FRAME COMPONENTS(2).....	9
HANDLE & MOTOR COMPONENTS.....	11
LEET,RIGHT LOOPER COMPONENTS.....	15
THREAD STAND COMPONENTS.....	19
THREADING COMPONENTS.....	21
UPPER NEEDLE BAR COMPONENTS.....	23
LOWER NEEDLE BAR COMPONENTS.....	27
DRUM COMPONENTS.....	29
CYLINDRICAL CAM SHAFT COMPONENTS.....	31
LOWER LOOPER COMPONENTS.....	35
HOOK & NEEDLE GRASP COMPONENTS.....	37
HOOK COMPONENTS.....	39
KNEE PRESS LIFTER & KOBA RULER COMPONENTS.....	41
PRESSER FOOT COMPONENTS.....	43
LOWER FEED COMPONENTS.....	47
INTERMEDIATE PLATE &FEED CHANGE MOTOR COMPONENTS.....	51
FEED CONNECTING COMPONENTS.....	53
TRANSMISSION COMPONENTS(1).....	55
TRANSMISSION COMPONENTS(2).....	57
TRANSMISSION COMPONENTS(3).....	59
ACCESSORIES COMPONENTS.....	61
HOW TO MAKE USE OF THIS PARTS LIST.....	63

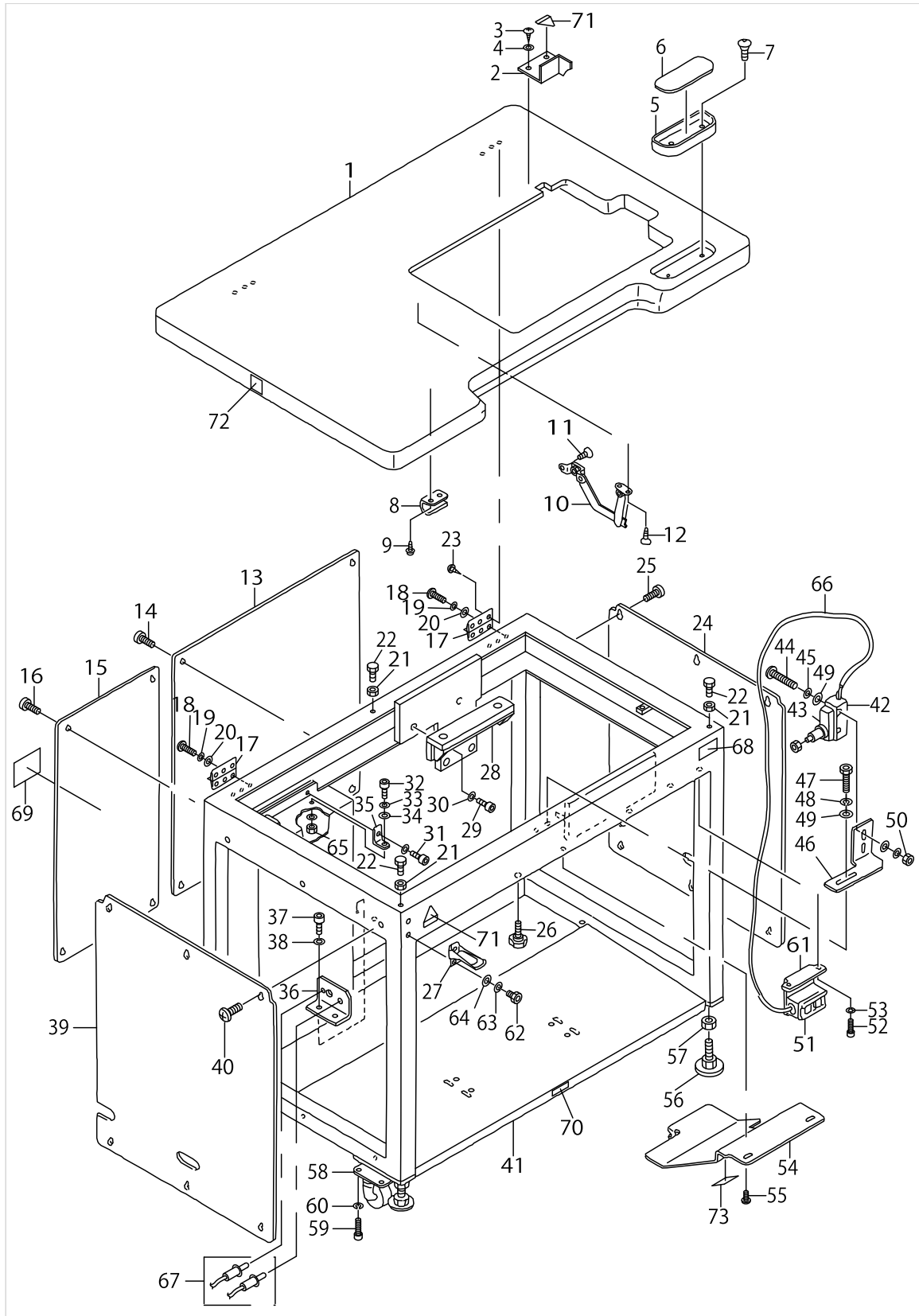
FRAME & COVER COMPONENTS



FRAME & COVER COMPONENTS

No.	Parts No.	Parts name	Remarks	Level	Cons	Qty
1	25235409	TABLE				1
2	16679102	BELT COVER				1
3	ST4041621SN	TAPPING SCREW				2
4	WP0320500SC	WASHER M3				2
5	11156007	CASE				1
6	11155801	CASE MAGNET				1
7	SK3382001SC	WOOD SCREW D=3.8 L=20				2
8	16679201	HOOK BRACKET				1
9	16717704	TAPPING SCREW				2
10	16715906	STAY				1
11	SM1040852TP	DISH SCREW				2
12	16718009	TAPPING SCREW				2
13	25236209	FRAME COVER,B				1
14	SM0050801SC	SCREW				6
15	25236100	FRAME COVER,A				1
16	SM0050801SC	SCREW				4
17	16679003	HINGE				2
18	SM6051552TP	SCREW M5 L=15				6
19	WS0510002KN	SPRING WASHER				6
20	WP0531001SC	WASHER				6
21	NM6060001SC	NUT M6				3
22	16677809	ADJUSTING BOLT				3
23	16717803	TAPPING SCREW				6
24	25236407	FRAME COVER,D				1
25	SM0050801SC	SCREW				6
26	25252305	KNOB				1
27	16716003	CATCH CLIP				1
28	16677700	GEAR BOX INSTALLING BASE				1
29	SM6102512TP	SCREW M10X1.5 L=25.0				2
30	WS1020002KN	SPRING WASHER M10				2
31	SM6051202TP	SCREW M5X0.8 L=12				1
32	SM6051552TP	SCREW M5 L=15				2
33	WS0510002KN	SPRING WASHER				4
34	WP0531001SC	WASHER				6
35	25235508	TRANSMISSION BOX BRACKET				2
36	25243205	SW BASE				1
37	SM6041002TP	SCREW M4 L=10				2
38	WS0410002KN	SPRING WASHER				2
39	25236407	FRAME COVER,D				1
40	SM0050801SC	SCREW				6
41	25243502	FRAME				1
42	HA000370010	TERMINAL PROTECTION COVER				1
43	HA002240000	SWITCH				1
44	SM4043501SE	SCREW M4 L=35				1
45	WS0410002KN	SPRING WASHER				2
46	25235201	LIMIT FITTING PLATE				1
47	SM6041002TP	SCREW M4 L=10				2

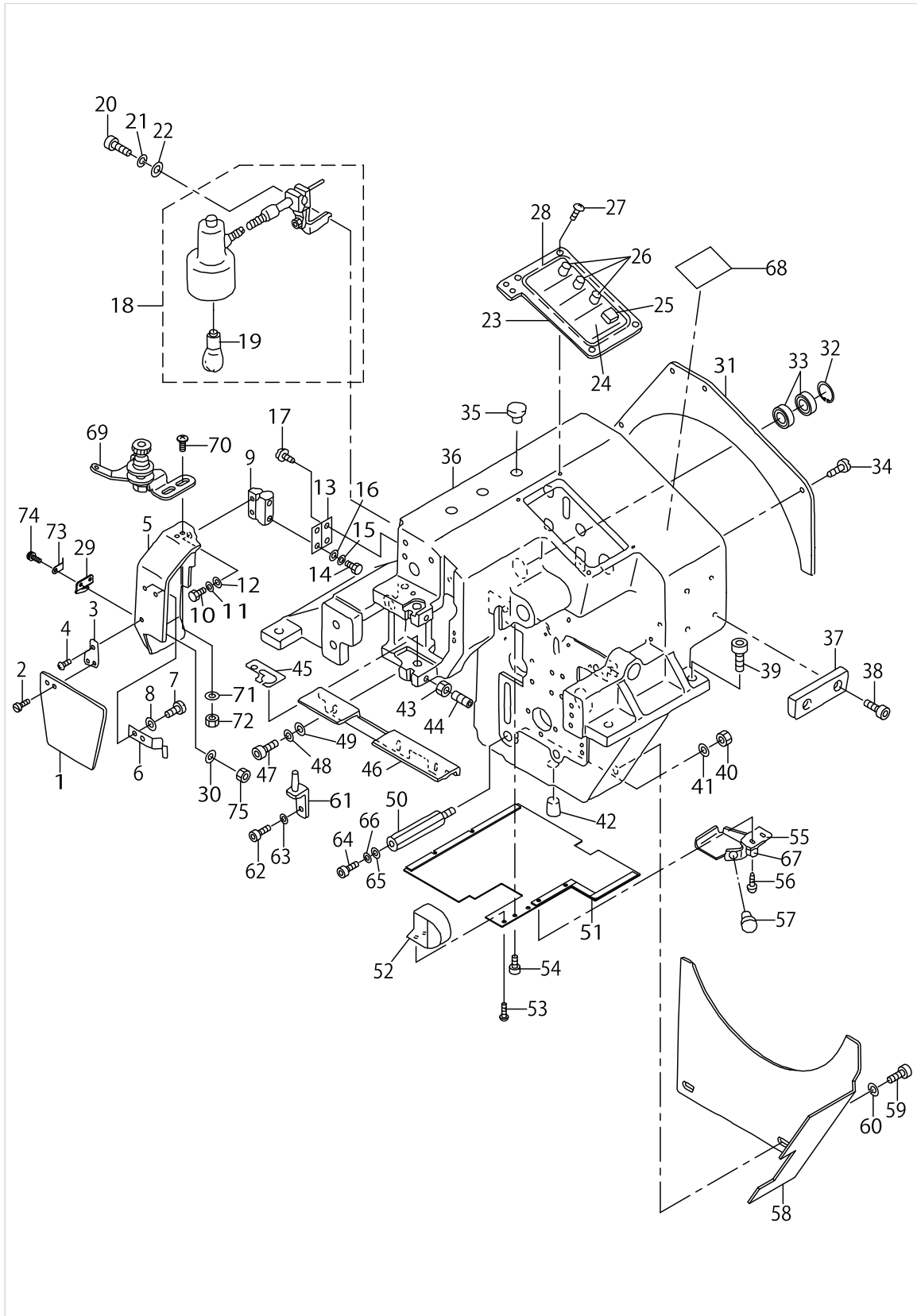
# FRAME & COVER COMPONENTS



FRAME & COVER COMPONENTS

No.	Parts No.	Parts name	Remarks	Level	Cons	Qty
48	WS0410002KN	SPRING WASHER				2
49	WP0430801SC	WASHER 4.3X9X0.8				6
50	NM6040003SC	NUT M4				1
51	25212804	POWER SOURCE SWITCH				1
52	SM6051002TP	SCREW M5X0.8 L=10				2
53	WS0510002KN	SPRING WASHER				2
54	25238304	FRONT PANEL				1
55	SM0050801SC	SCREW				3
56	16716508	ADJUSTER FOOT				4
57	NM6201202SC	NUT M20				4
58	16715609	CASTER				4
59	SM6061202TP	SCREW M6 L=12				16
60	WS0610002KN	SPRING WASHER 6.1X12.2X1.5				16
61	25243106	POWER SOURCE BRACKET				1
62	SM6061002TP	SCREW M6 L=10				2
63	WS0610002KN	SPRING WASHER 6.1X12.2X1.5				2
64	WP0641601SC	WASHER				2
65	NM6050001SC	NUT M5				2
66	25209750	POWER SWITCH ASM..A				1
67	25208950	PITCH TRIMMING BOX ASM.				1
68	CM300200301	SAFETY LABEL, 5(SMALL).				1
69	CM300100102	DANGER LABEL (LARGE)				1
70	16870206	GRAVITY SEAL				2
71	CM3002000B2	LABEL(25).				2
72	16701302	TABLE CAUTION LABEL				2
73	CM300600102	LABEL(LARGE)				1

# GEAR BOX FRAME COMPONENTS(1)

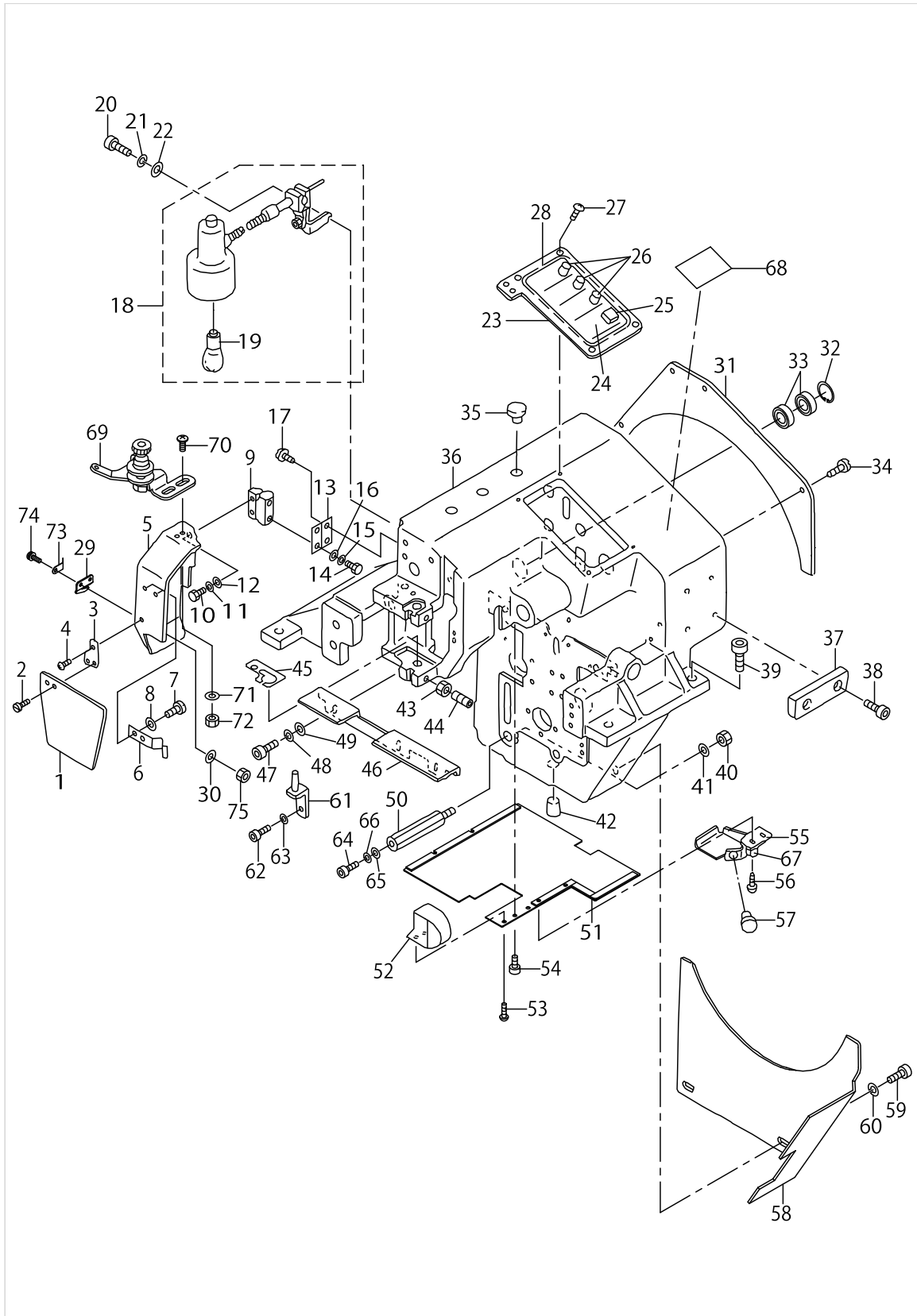


GEAR BOX FRAME COMPONENTS(1)

No.	Parts No.	Parts name	Remarks	Level	Cons	Qty
1	16680100	SAFETY COVER				1
2	SS4090615SP	SCREW 9/64-40 L=6				1
3	16680001	COVER BRACKET				1
4	SM0040801SC	SCREW				1
5	25236506	BED COVER				1
6	16679904	PLATE SPRING				1
7	SS7120410TP	SCREW 3/16-28 L=4.2				2
8	WP0430801SC	WASHER 4.3X9X0.8				2
9	16716409	HINGE				1
10	SM9040803SD	BOLT M4X0.7 L=8				3
11	WS0410002KN	SPRING WASHER				3
12	WP0430801SC	WASHER 4.3X9X0.8				3
13	25236605	COVER FITTING PLATE				1
14	SM9051603SD	BOLT M5X0.8 L=16				2
15	WS0510002KN	SPRING WASHER				2
16	WP0531001SC	WASHER				2
17	SM0041001SC	SCREW M4 L=10				2
18	16590200	FLUORESCENCE LIGHT				1
19	16590309	LIGHT		*		1
20	SM6062002TP	SCREW M6 L=20				1
21	WS0610002KN	SPRING WASHER 6.1X12.2X1.5				1
22	WP0641601SC	WASHER				1
23	25236704	PANEL COVER				1
24	25214305	OPERATION PANEL SEAT				1
25	HA002510010	SWITCH BUTTON				1
26	HX001650000	PICK-UP				3
27	SM0040801SC	SCREW				4
28	16554552	PANEL CIRCUIT BOARD ASM.				1
29	11521903	THREAD TRIMMER				1
30	WP0280500SD	WASHER				1
31	25237009	G.B COVER				1
32	16718702	RETAINING RING				1
33	16710006	BEARING				2
34	SM4040601SC	SCREW M4X0.7 L=6				4
35	20321204	BUSH				1
36	25215005	G.B FRAME,A				1
37	25243403	PLATE				1
38	SM6041002TP	SCREW M4 L=10				2
39	SM6104502TP	SCREW M10 L=45				4
40	NM6120001SC	NUT M12				1
41	WS1220002KN	SPRING WASHER				1
42	16811606	PLUG				1
43	NM6030003SC	NUT M3				2
44	SM8031002TP	SCREW				2
45	25248204	OIL RESERVOIR SEAT				1
46	25234709	COVER HOLDING,1				1
47	SM6040802TP	SCREW M4X0.7 L=8				3



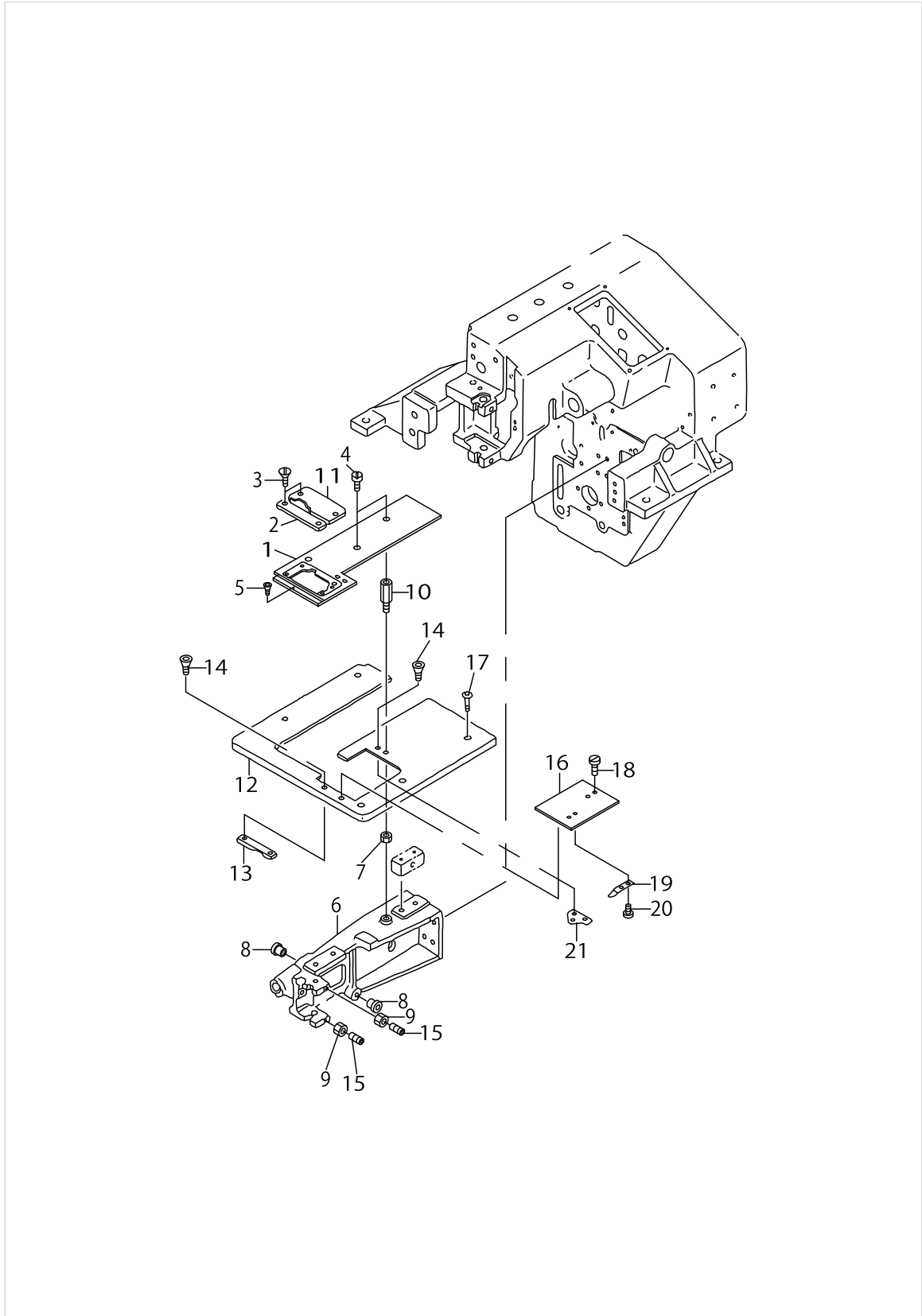
GEAR BOX FRAME COMPONENTS(1)



GEAR BOX FRAME COMPONENTS(1)

No.	Parts No.	Parts name	Remarks	Level	Cons	Qty
48	WS0410002KN	SPRING WASHER				3
49	WP0430801SC	WASHER 4.3X9X0.8				3
50	25216706	CONNECTING STUD				1
51	25234253	G.B UNDER COVER				1
52	25234303	NEEDLE ROD SHAFT COVER				1
53	25251802	BOLT				2
54	25251802	BOLT				4
55	25236902	BRACKET				1
56	25251802	BOLT				1
57	TA1250804R0	RUBBER PLUG				1
58	25237108	G.B REAR COVER				1
59	SM6061002TP	SCREW M6 L=10				2
60	WS0610002KN	SPRING WASHER 6.1X12.2X1.5				2
61	16680209	PIN BRACKET				1
62	SM6041202TP	SCREW M4X0.7 L=12				2
63	WS0410002KN	SPRING WASHER				2
64	SM6123002TP	SCREW M12 L=30				1
65	WP1302500SC	WASHER				1
66	WS1220002KN	SPRING WASHER				1
67	25209255	PB-5 CABLE ASM.,2				1
68	CM300600102	LABEL(LARGE)				1
69	13764352	TENSION BRACKET CONNEC.				1
70	SM0041201SA	SCREW M4X0.7 L=12				2
71	WP0430801SC	WASHER 4.3X9X0.8				2
72	NM6040001SC	NUT M4				2
73	25156407	THREAD PRESSER PLATE				1
74	SL4851091SC	SCREW				1
75	NM6860001SC	NUT M2.6				1

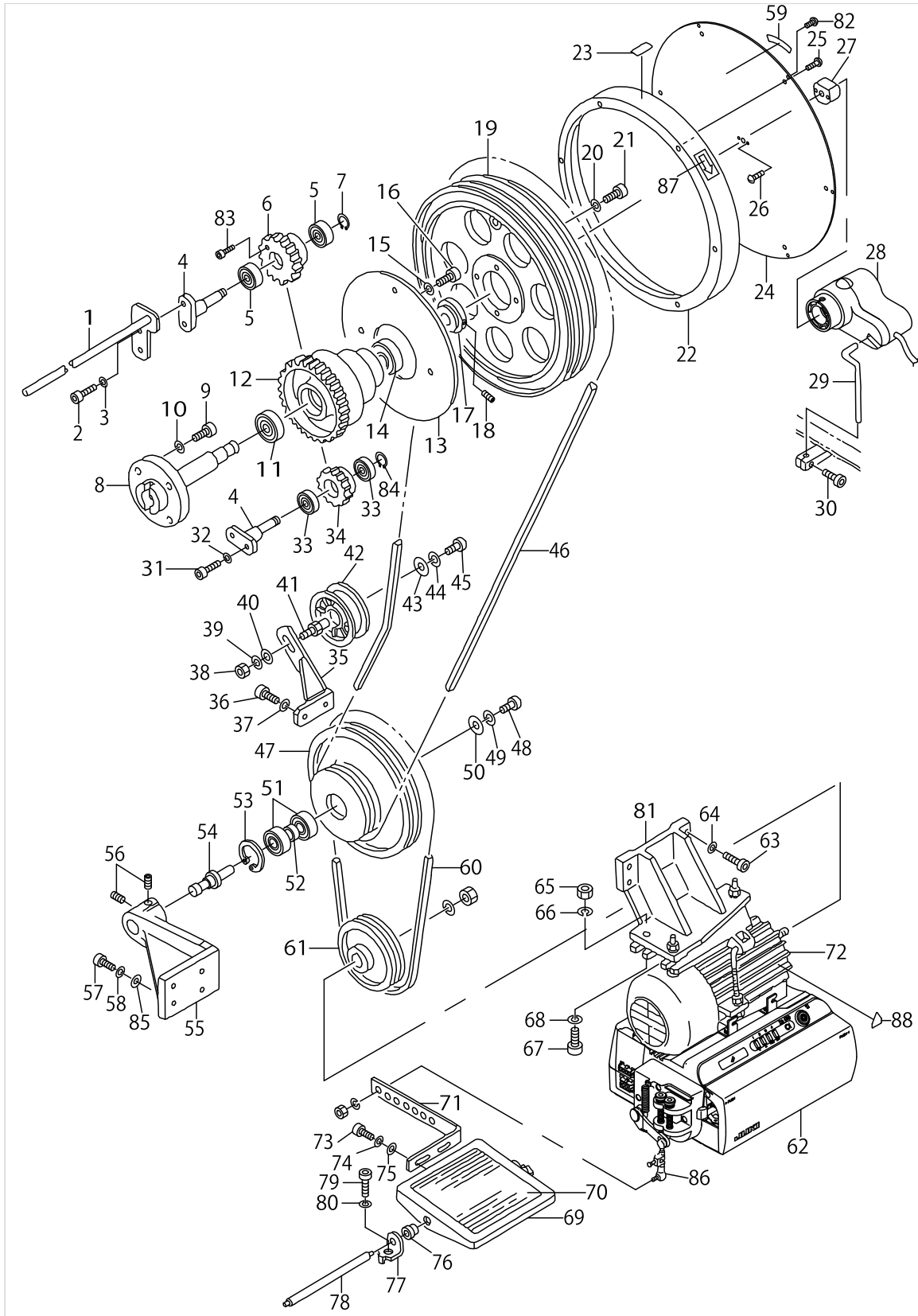
GEAR BOX FRAME COMPONENTS(2)



GEAR BOX FRAME COMPONENTS(2)

No.	Parts No.	Parts name	Remarks	Level	Cons	Qty
1	25226200	WORKPIECE PLATE				1
2	25237900	THROAT PLATE L				1
3	SS2090510SP	SCREW 9/64-40 L=5				4
4	SS6121210SP	SCREW 3/16-28 L=12				4
5	25149907	BOLT				1
6	25215401	LOWER FRAME				1
7	NM6060003SC	NUT M6				1
8	16629503	BUSHING				2
9	NM6030001SC	NUT M3				2
10	25226309	PLATE HOLDING STUD				1
11	25226705	THROAT PLATE R				1
12	25234600	TABLE COVER				1
13	16704520	SLIDING PLATE GUIDE B				1
14	25152109	SCREW				2
15	SM8031002TP	SCREW				2
16	16704322	SLIDE PLATE				1
17	25251802	BOLT				4
18	25152109	SCREW				1
19	B1109481000	SPRING				1
20	SS6060220SP	SCREW 3/32-56 L= 2.0				2
21	16877417	SLIDING PLATE BASE				1

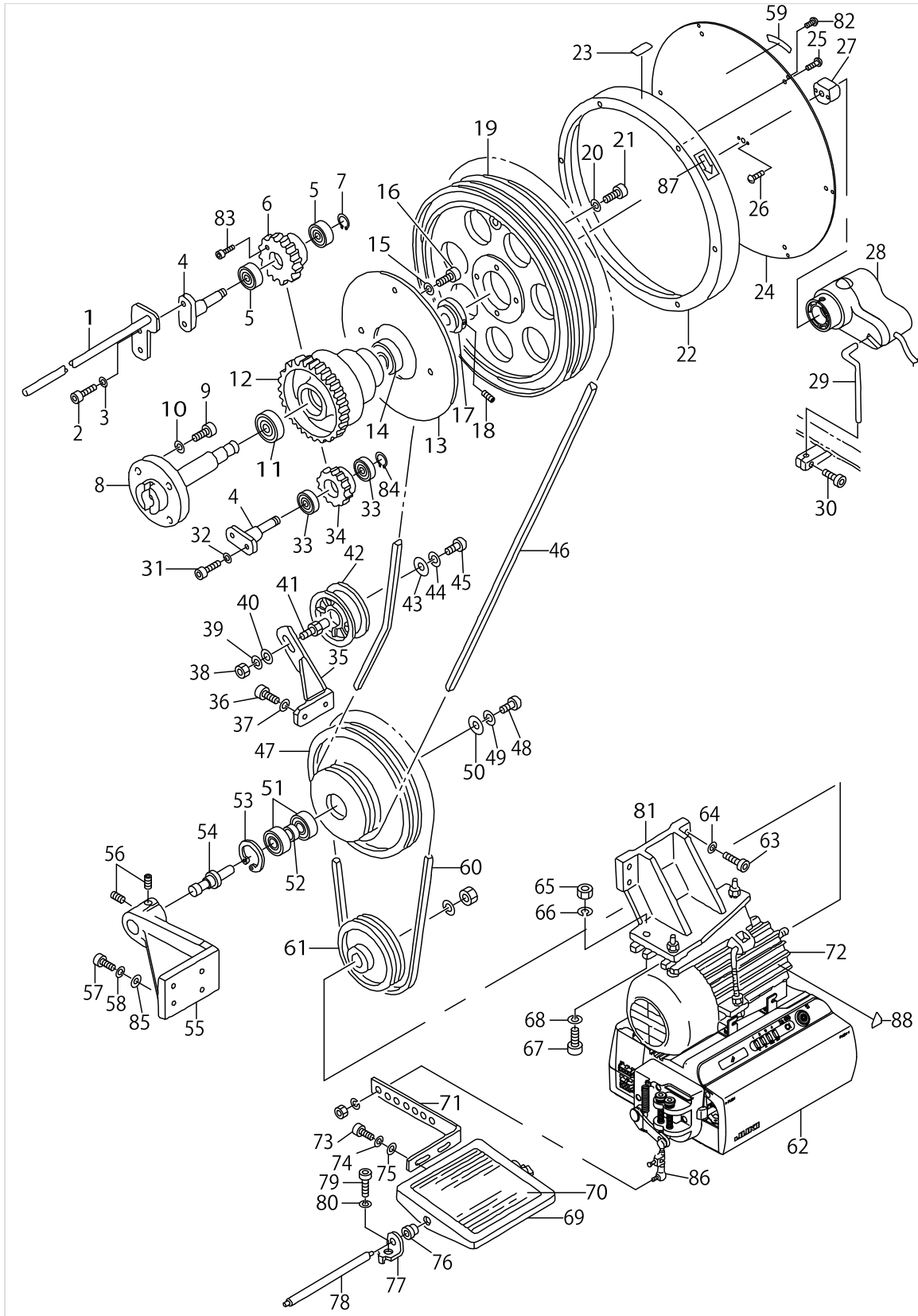
HANDLE & MOTOR COMPONENTS



HANDLE & MOTOR COMPONENTS

No.	Parts No.	Parts name	Remarks	Level	Cons	Qty
1	16679508	INSTALLING BASE				1
2	SM6052502TP	SCREW M5X0.8 L=25				2
3	WS0510002KN	SPRING WASHER				2
4	16625402	GEAR PIN 1				2
5	SB112000200	BEARING				2
6	16625501	FLAT GEAR G				1
7	RC1200001KP	C-SHAPED SNAP RING				1
8	25215500	CENTER SHAFT				1
9	SM6082502TP	SCREW M8 L=25				4
10	WS0820002KN	SPRING WASHER M8				4
11	B1210761000	BALL BEARING				1
12	16624603	CENTER GEAR				1
13	16876906	LEFT LOOPER CAM				1
14	SB120000200	BEARING 20X42				1
15	WS0610002KN	SPRING WASHER 6.1X12.2X1.5				2
16	SM6061552TP	SCREW M6 L=15				2
17	16624900	BEARING PRESSER				1
18	SM8060802TP	SCREW M6 L=8				2
19	25217803	CAM WHEEL				1
20	WS0820002KN	SPRING WASHER M8				4
21	SM6083002TP	SCREW M8 L=30				4
22	16625105	HANDLE				1
23	16879504	REFLECTION SEAT				1
24	16625006	HANDLE COVER				1
25	SM1040601SP	SCREW M4X0.7 L=6				6
26	25151705	SCREW				1
27	16625204	ADAPTER				1
28	GSY030000A0	SY-3				1
29	16625303	FIXED ROD				1
30	SM6041202TP	SCREW M4X0.7 L=12				1
31	SM6052002TP	SCREW M5 L=20				2
32	WS0410002KN	SPRING WASHER				2
33	18347708	BEARING				2
34	16626111	FLAT GEAR E				1
35	16645202	IDLER BRACKET				1
36	SM6062002TP	SCREW M6 L=20				2
37	WS0610002KN	SPRING WASHER 6.1X12.2X1.5				2
38	NM6080003SC	NUT M8				1
39	WS0820002KN	SPRING WASHER M8				1
40	WP0841601SC	WASHER 8.4X17.4X1.6				1
41	16645301	IDLER SHAFT				1
42	16715401	IDLER PULLEY				1
43	16645400	WASHER				1
44	WS0510002KN	SPRING WASHER				1
45	SM6051202TP	SCREW M5X0.8 L=12				1
46	16715005	WEDGE BELT				1
47	16644908	PULLEY, INTERMEDIATE				1

HANDLE & MOTOR COMPONENTS

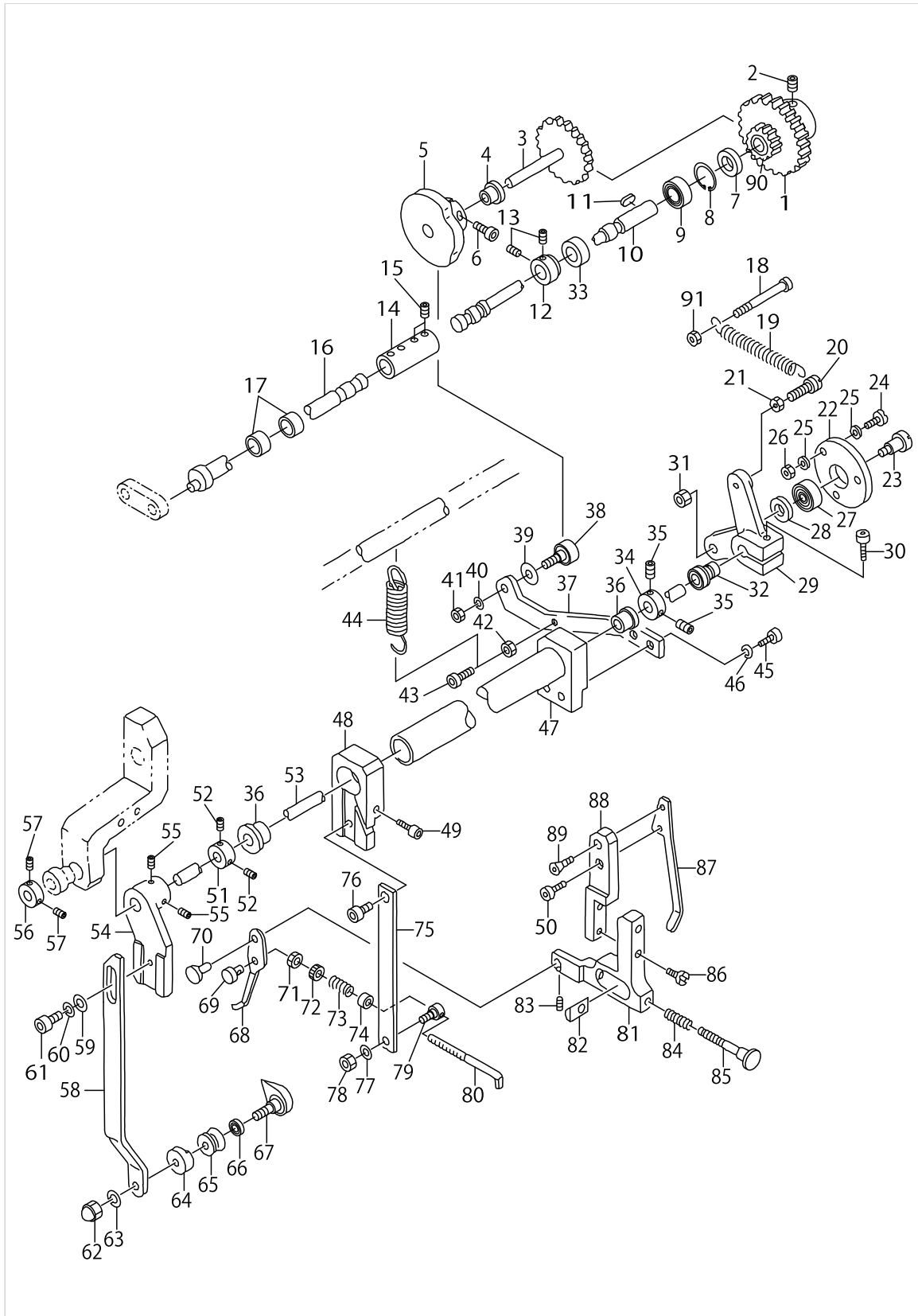


HANDLE & MOTOR COMPONENTS

No.	Parts No.	Parts name	Remarks	Level	Cons	Qty
48	SM6061552TP	SCREW M6 L=15				1
49	WS0610002KN	SPRING WASHER 6.1X12.2X1.5				1
50	16645103	WASHER				1
51	16710709	BEARING				2
52	16645004	BEARING COLLAR				1
53	RC3700002KP	RETAINING RING 37				1
54	16644809	PULLEY SHAFT				1
55	16644700	BRACKET				1
56	SM8060802TP	SCREW M6 L=8				2
57	SM6062502TP	SCREW M6 L=25				4
58	WS0610002KN	SPRING WASHER 6.1X12.2X1.5				4
59	B1144210000	REVOLVING DIRECTION LABEL				1
60	25254004	WEDGE BELT				1
61	MTSP01100B0	MOTOR PULLEY ASM. P.C.D 110				1
62	GFL010050A0	FLS PSC BOX B ASM.				1
63	SM6083002TP	SCREW M8 L=30				4
64	WS0820002KN	SPRING WASHER M8				4
65	NM6080001SC	NUT M8X1.25				3
66	WS0820002KN	SPRING WASHER M8				3
67	SM6085002TP	SCREW				3
68	WP0841601SC	WASHER 8.4X17.4X1.6				3
69	11158805	PEDAL				1
70	11158904	PEDAL MAT				1
71	25238908	PEDAL ADJUSTING PLATE				1
72	M6130351AA0	AC SERVO MOTOR				1
73	SM6061552TP	SCREW M6 L=15				2
74	WS0610002KN	SPRING WASHER 6.1X12.2X1.5				2
75	WP0641601SC	WASHER				2
76	D8113555B00	PEDAL BUSHING				2
77	11159001	PEDAL SHAFT BRACKET				2
78	D8115555B00	PEDAL SHAFT				1
79	SM6081552TP	SCREW M8 L=15				2
80	WS0820002KN	SPRING WASHER M8				2
81	16644601	MOTOR BASE				1
82	SS3090810SL	SCREW 9/64-40 L=8				6
83	SM6042002TP	SCREW M4X0.7 L=20				4
84	RC1200001KP	C-SHAPED SNAP RING				1
85	WP0641601SC	WASHER				4
86	16678609	PITMAN ROD				1
87	CM500300001	DIRECTION LABEL				1
88	CM3002000A1	CAUTION LABEL(16)				1



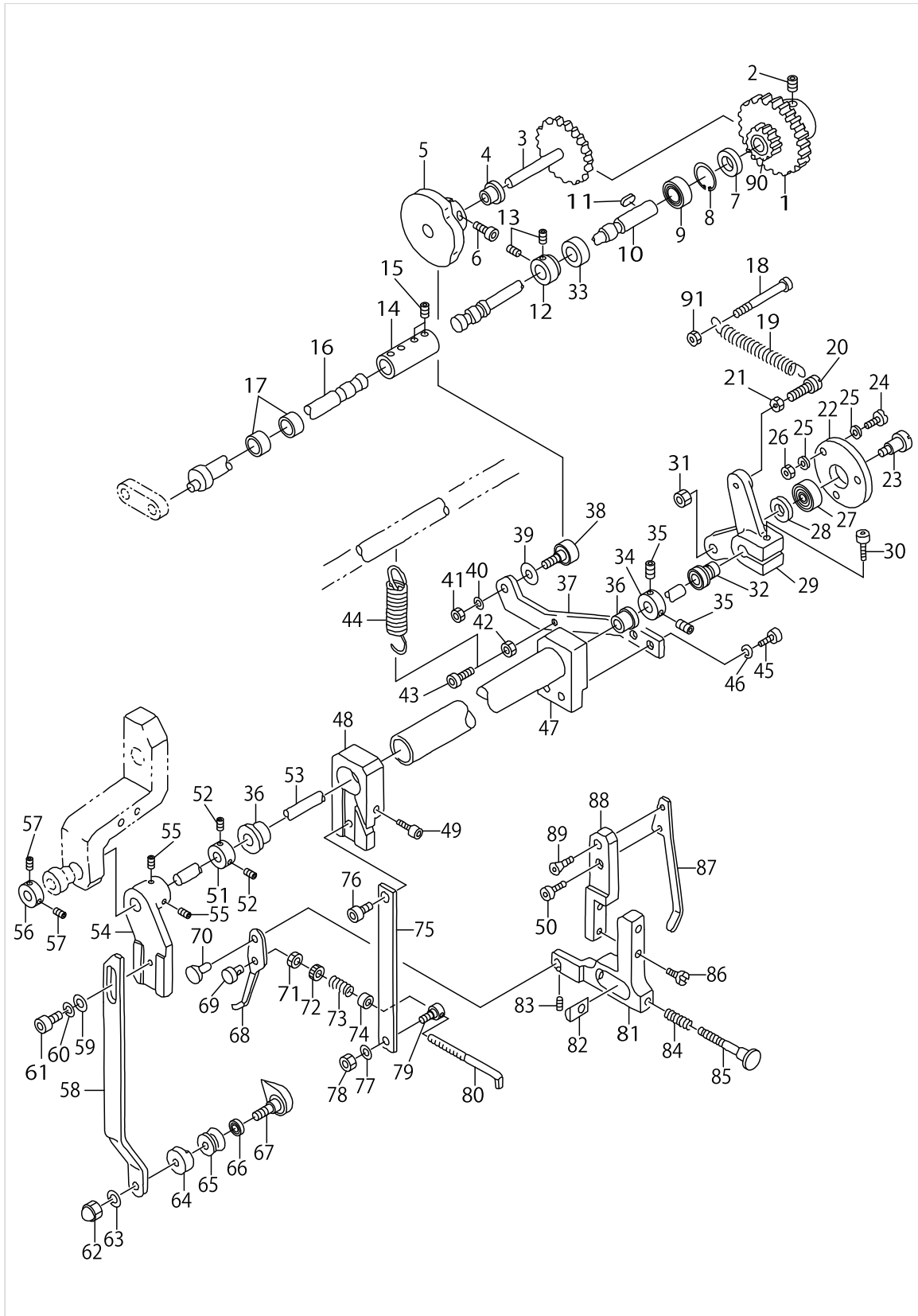
LEET,RIGHT LOOPER COMPONENTS



## LEET,RIGHT LOOPER COMPONENTS

No.	Parts No.	Parts name	Remarks	Level	Cons	Qty
1	16625709	FLAT GEAR H				1
2	SM8050812TP	SCREW M5X8				2
3	16625808	FLAT GEAR J				1
4	25242603	BUSHING				1
5	16878001	RIGHT LOOPER CAM (3MM)				1
6	SM6041502TP	SCREW M4X0.7 L=15				1
7	25242801	COLLAR,B				1
8	25253204	SNAP RING				1
9	16720005	BEARING				1
10	16665101	SHAFT				1
11	16714503	KEY				1
12	16711301	COLLAR				1
13	SM8050602TP	SCREW M5 L=6				2
14	16665002	SHAFT JOINTING				1
15	SM8050502TP	SCREW M5 L=5				4
16	25228115	SHAFT				1
17	25253303	NEEDLE BEARING				2
18	SM6086002TP	SCREW				1
19	16627507	SPRING				1
20	16699605	SPRING SUSPENSION				1
21	NM6060001SC	NUT M6				1
22	16627804	ROLLER				1
23	25243908	ROLLER PIN				1
24	SS6121210SP	SCREW 3/16-28 L=12				3
25	16627903	WASHER				6
26	NS6120310SP	NUT 3/16-28				3
27	16710303	BEARING				1
28	16627606	COLLAR				1
29	25216508	ROLLER LEVER				1
30	SM6062002TP	SCREW M6 L=20				1
31	NM6060001SC	NUT M6				1
32	25254608	BEARING				1
33	25242702	COLLAR,A				1
34	16711608	COLLAR				1
35	SM8040502TP	SCREW M4X0.7 L=5				2
36	16630303	BUSHING				2
37	16630709	LEVER				1
38	16713208	CAM FOLLOWER				1
39	16630808	WASHER				1
40	WS0510002KN	SPRING WASHER				1
41	NM6050001SC	NUT M5				1
42	NM6040001SC	NUT M4				1
43	SM6041502TP	SCREW M4X0.7 L=15				1
44	16630907	SPRING				1
45	SM6041502TP	SCREW M4X0.7 L=15				2
46	WS0410002KN	SPRING WASHER				2
47	25217506	LONG COLLAR				1

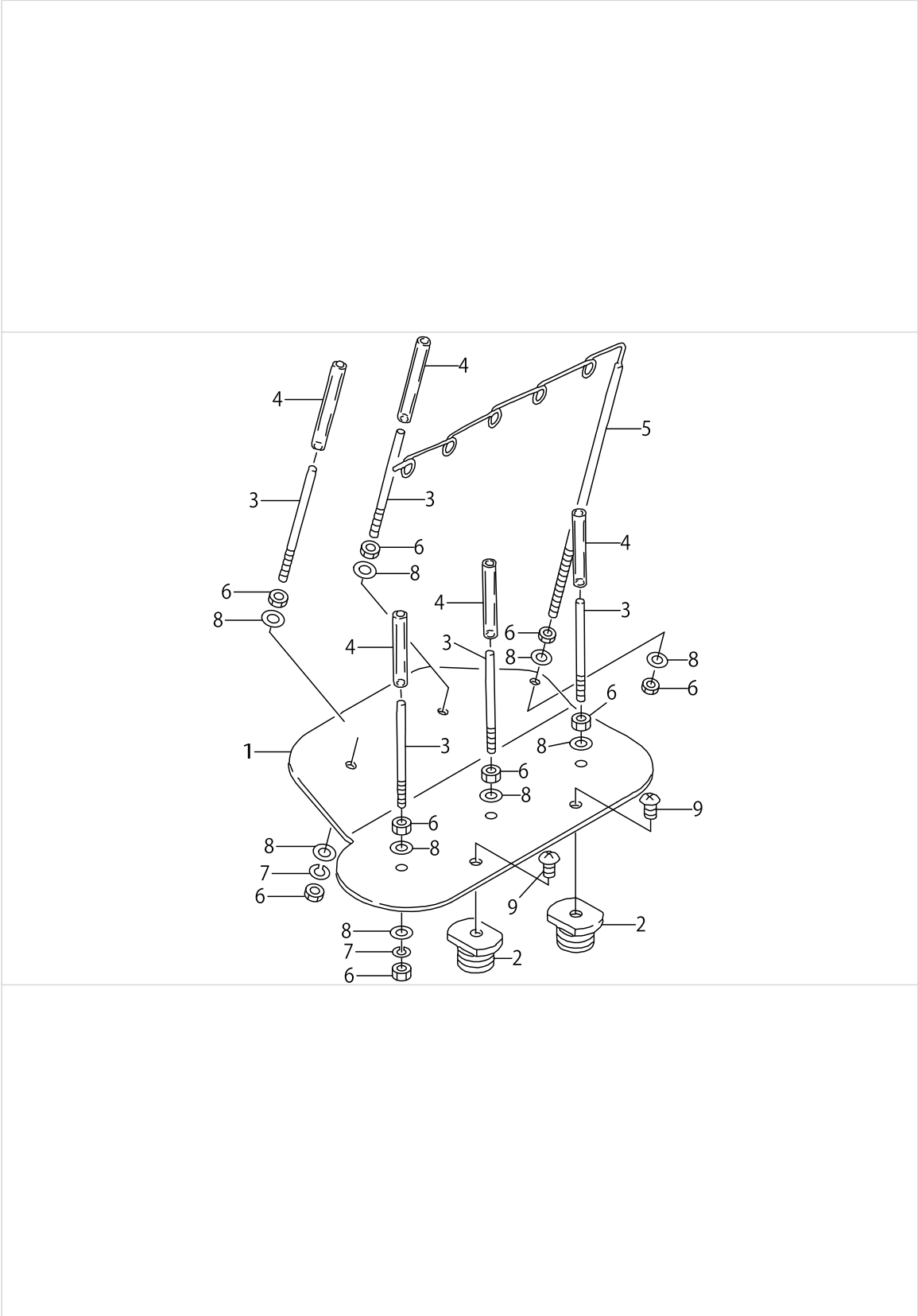
LEET,RIGHT LOOPER COMPONENTS



LEET,RIGHT LOOPER COMPONENTS

No.	Parts No.	Parts name	Remarks	Level	Cons	Qty
48	16631004	HOLDER				1
49	SM6052502TP	SCREW M5X0.8 L=25				1
50	SM6041002TP	SCREW M4 L=10				1
51	16711608	COLLAR				1
52	SM8040502TP	SCREW M4X0.7 L=5				2
53	25217407	LEFT LOOPER SHAFT				1
54	16629701	LEVER HOLDER				1
55	SS8660612TP	SCREW 1/4-40 L=6				2
56	16630204	SET COLLAR				1
57	SM8040502TP	SCREW M4X0.7 L=5				2
58	16629800	LOOPER ARM				1
59	WP0430801SC	WASHER 4.3X9X0.8				1
60	WS0410002KN	SPRING WASHER				1
61	SM6041002TP	SCREW M4 L=10				1
62	NM7030510SA	NUT M3				1
63	WS0310002KN	SPRING WASHER M3				1
64	25217308	LOOPER HOLDING DISH				1
65	25217209	LOOPER ROLLER				1
66	25254202	BEARING				1
67	25217100	LEFT LOOPER				1
68	16631814	RIGHT LOOPER				1
69	16631707	PIN 2				1
70	16632010	PIN				1
71	NM6030001SC	NUT M3				1
72	16631509	NUT				1
73	16631400	TENSION SPRING				1
74	16631608	COLLAR				1
75	16631111	LEVER				1
76	SM6040502TP	SCREW M4X0.7 L=5				1
77	WP0430801SE	WASHER 4.3X9X0.8				1
78	NM6040001SD	NUT M4				1
79	16631202	PIN 1				1
80	16631301	RIGHT LOOPER PIN				1
81	16631939	BRACKET				1
82	16632200	ADJUSTING NUT				1
83	SM8030302TP	SCREW M3X0.5 L=3				1
84	16632309	SPRING				1
85	16632119	ADJUSTING SCREW				1
86	SS6081210SP	SCREW 1/8-44 L=12				2
87	16632408	PRESSER SPRING				1
88	16877508	MOUNTING BASE				1
89	16717001	SCREW				1
90	16625600	FLAT GEAR I				1
91	NM6080001SC	NUT M8X1.25				1

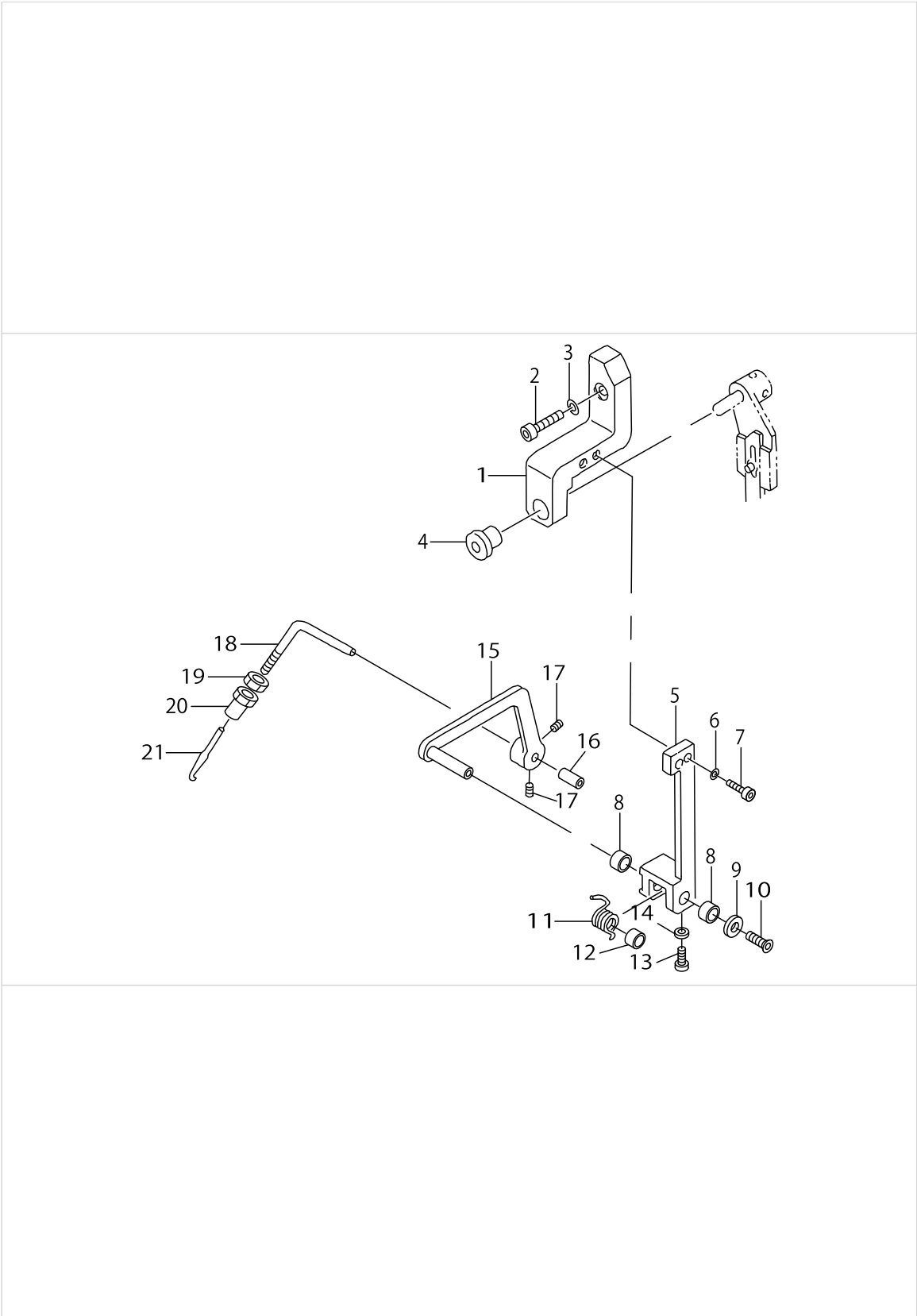
THREAD STAND COMPONENTS



THREAD STAND COMPONENTS

No.	Parts No.	Parts name	Remarks	Level	Cons	Qty
1	25238502	THREAD RAISING BASE				1
2	25238809	NUT				2
3	25238700	THREAD RAISING ROD				5
4	BT0600400EC	TUBE HOSE, BLUE				5
5	25238601	THREAD GUIDE				1
6	NM6040003SC	NUT M4				12
7	WS0410002KN	SPRING WASHER				5
8	WP0430801SC	WASHER 4.3X9X0.8				12
9	25151903	SCREW				2

THREADING COMPONENTS

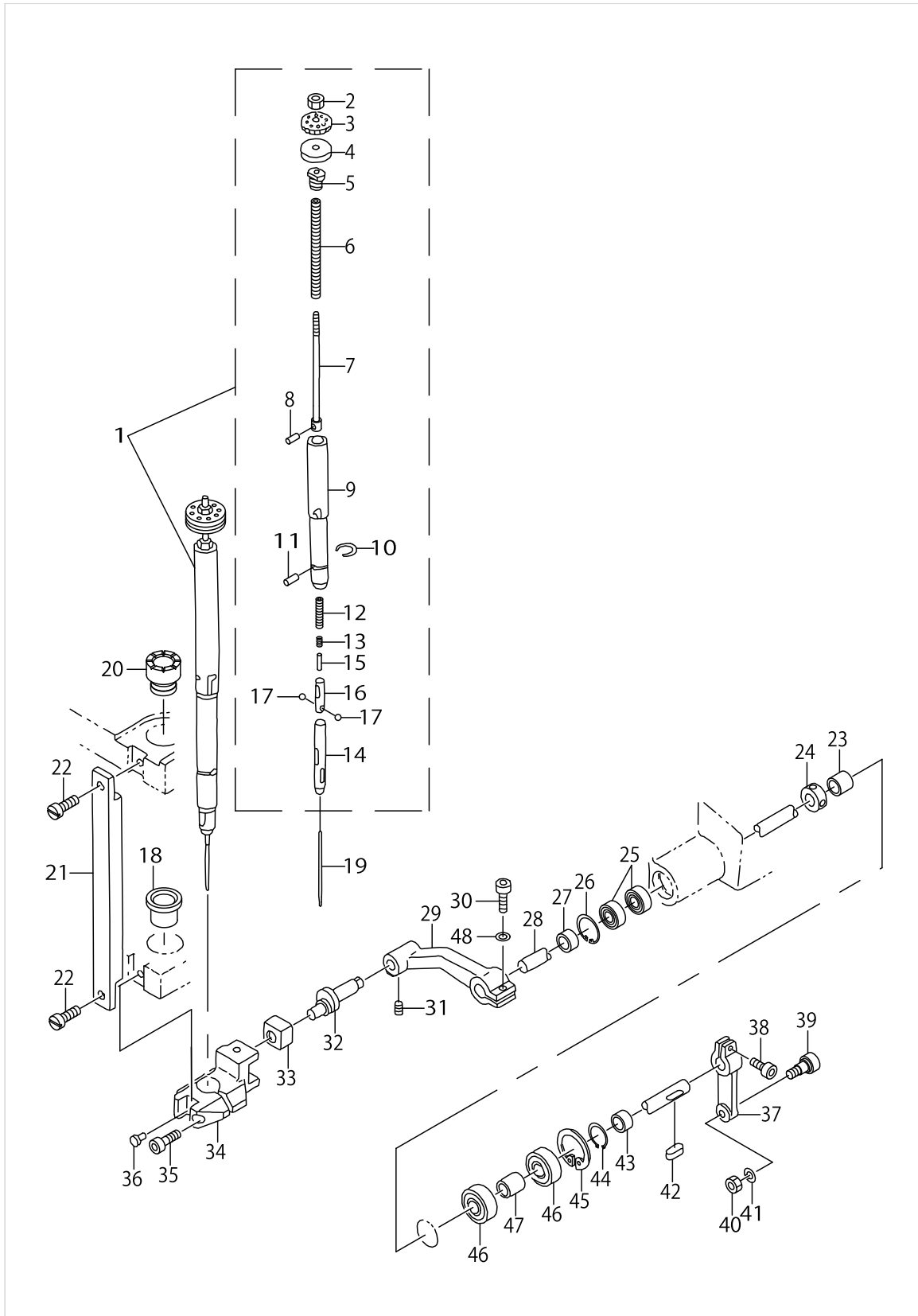


THREADING COMPONENTS

No.	Parts No.	Parts name	Remarks	Level	Cons	Qty
1	25219205	BRACKET				1
2	SM6082502TP	SCREW M8 L=25				1
3	WS0820002KN	SPRING WASHER M8				1
4	16629503	BUSHING				1
5	25218009	BRACKET				1
6	WS0410002KN	SPRING WASHER				2
7	SM6041502TP	SCREW M4X0.7 L=15				2
8	16632606	BUSHING				2
9	16633109	DISK WASHER				1
10	25150004	SCREW				1
11	16633000	SPRING				1
12	16632903	GUIDE COLLAR				1
13	SM6031002TP	HEXAGONAL BOLT M3 X 10				1
14	NM6030001SC	NUT M3				1
15	25218108	THREADING LEVER				1
16	BT0600400EC	TUBE HOSE, BLUE				1
17	16718405	SCREW				2
18	25217902	PIN				1
19	NM6050001SC	NUT M5				1
20	16633307	NUT				1
21	16633406	THREADING NEEDLE				1



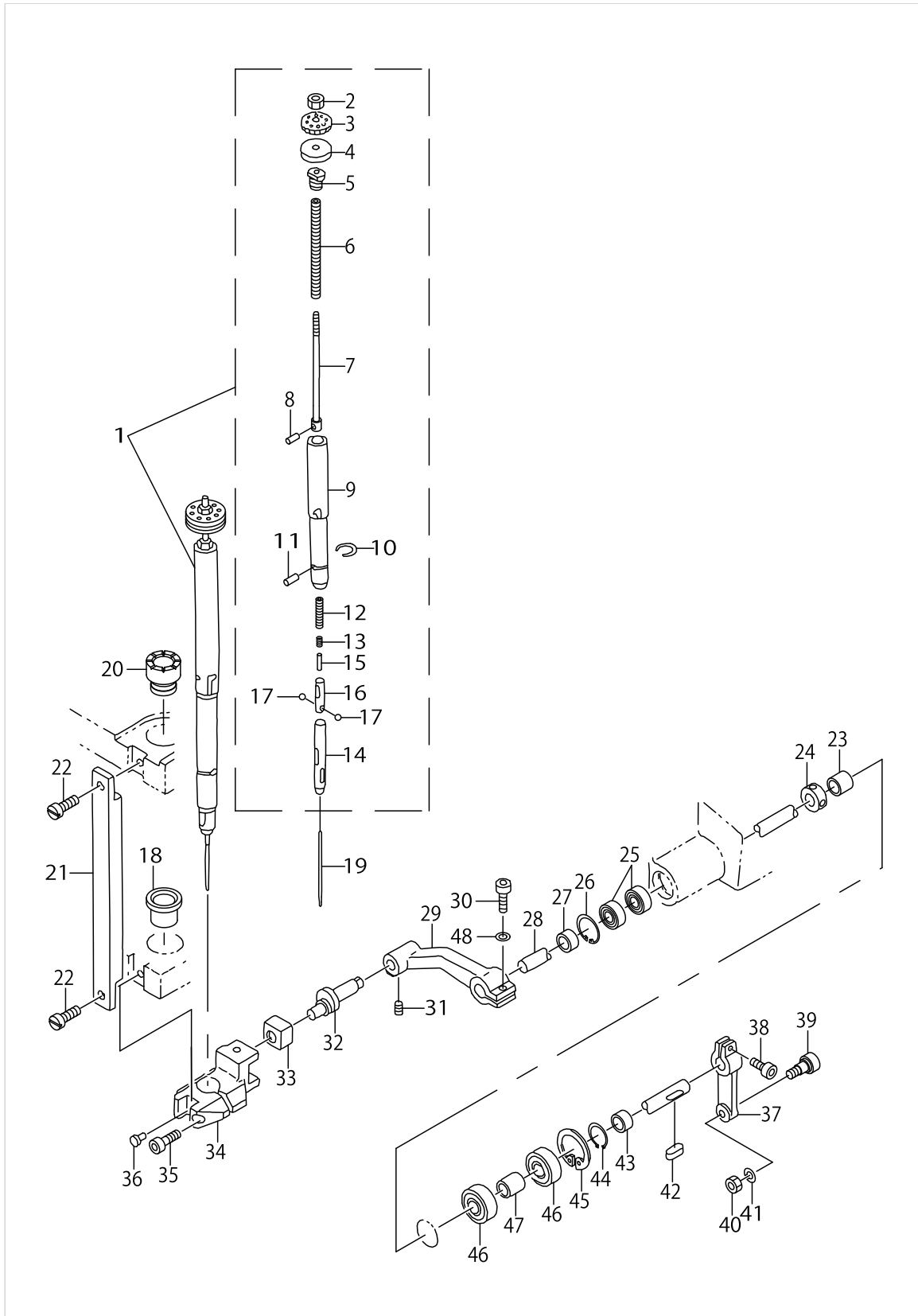
# UPPER NEEDLE BAR COMPONENTS



UPPER NEEDLE BAR COMPONENTS

No.	Parts No.	Parts name	Remarks	Level	Cons	Qty
1	25243668	NEEDLE BAR ASM. #32				1
2	16680803	NUT		*		1
3	16661803	NEEDLE BOLT		*		1
4	16661704	RUBBER WASHER		*		1
5	16661308	BOLT		*		1
6	16661605	BAR SPRING		*		1
7	16661506	SUPPORT SLEEVE ROD		*		1
8	G5514340000	PIN		*		1
9	16798100	SUPPORT CYLINDER		*		1
10	G5513340000	RING		*		1
11	G5512340000	STOP PIN		*		1
12	G5507340000	LOCK SPRING		*		1
13	G5506340000	STOP SPRING		*		1
14	25243601	SUPPORT SLEEVE		*		1
15	25234105	PIN (FOR #32)		*		1
16	G5503340000	STEEL BALL HOLDER		*		1
17	G5542340000	STEEL BALL		*		2
18	16662009	BUSHING B				1
19	MDPN10C0000	NEEDLE DPN-1032B32				1
20	16661902	BUSHING A				1
21	16662108	STAY				1
22	SS6090810SP	SCREW 9/64-40 L= 7.5				2
23	25219106	COLLAR				1
24	16711202	COLLAR				1
25	SB115000400	RADIAL BEARING				2
26	RC3200002KP	C RING				1
27	25219007	COLLAR,6				1
28	25218801	UPPER NEEDLE ROD SHAFT				1
29	25218504	ARM,UPPER				1
30	SM6062502TP	SCREW M6 L=25				1
31	SM8060552TP	SCREW M6 L=5				1
32	16633802	ECCENTRIC PIN, UPPER				1
33	16633901	SLIDE BLOCK				1
34	16661019	LIFTING BOSS (UPPER)				1
35	SM6052002TP	SCREW M5 L=20				1
36	25234006	PIN				1
37	25218405	CAM FOLLOWER LEVER				1
38	SM6063002TP	SCREW M6 L=30				1
39	25254301	CAM FOLLOWER				1
40	NM6080001SC	NUT M8X1.25				1
41	WS0820002KN	SPRING WASHER M8				1
42	25252008	KEY				1
43	25218306	COLLAR,7				1
44	RC0150001KP	RETAINING RING 13.8				1
45	16718702	RETAINING RING				1
46	16710006	BEARING				2
47	16629008	BEARING COLLAR				1

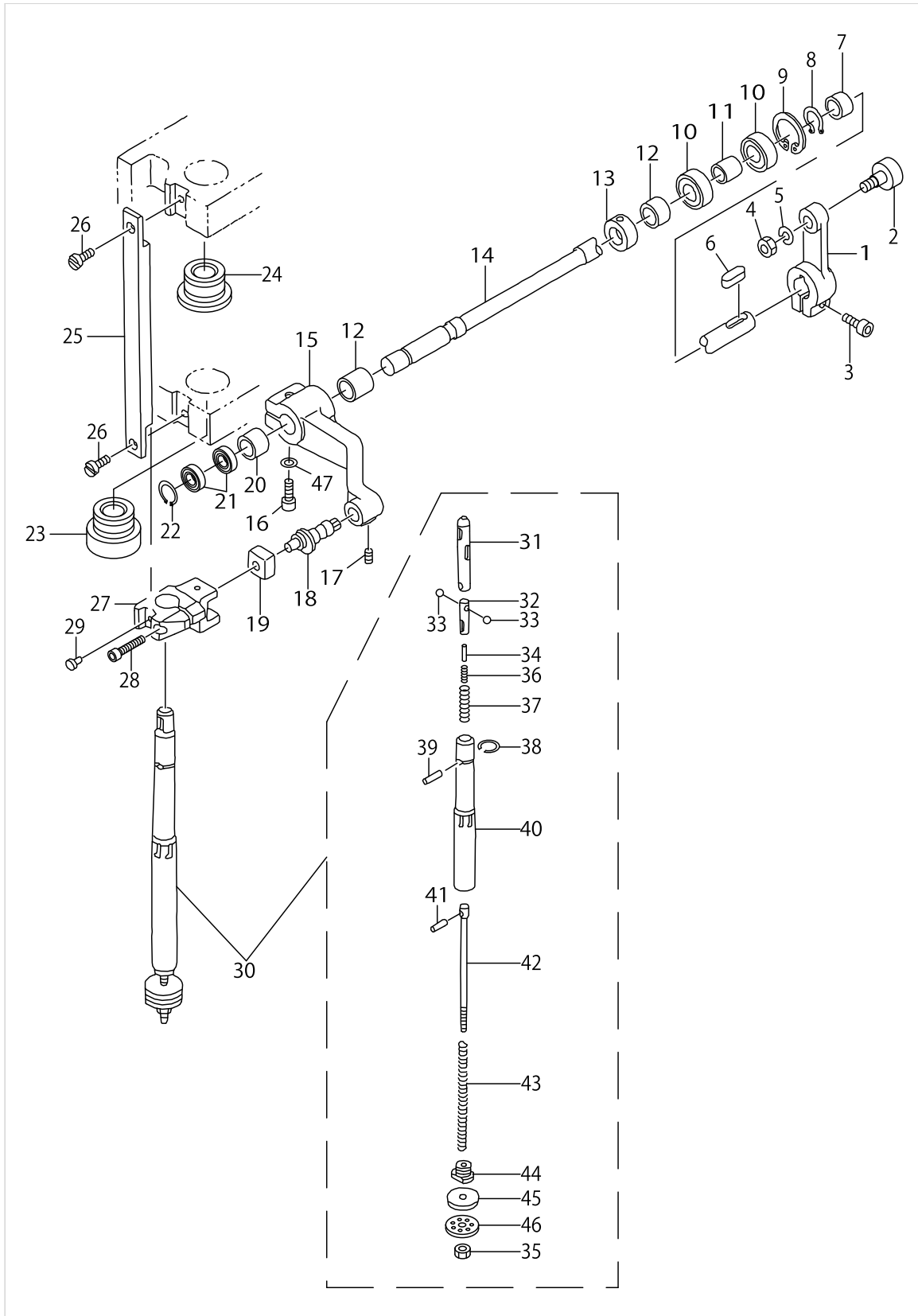
# UPPER NEEDLE BAR COMPONENTS



UPPER NEEDLE BAR COMPONENTS

No.	Parts No.	Parts name	Remarks	Level	Cons	Qty
48	WP0621016SH	WASHER				1

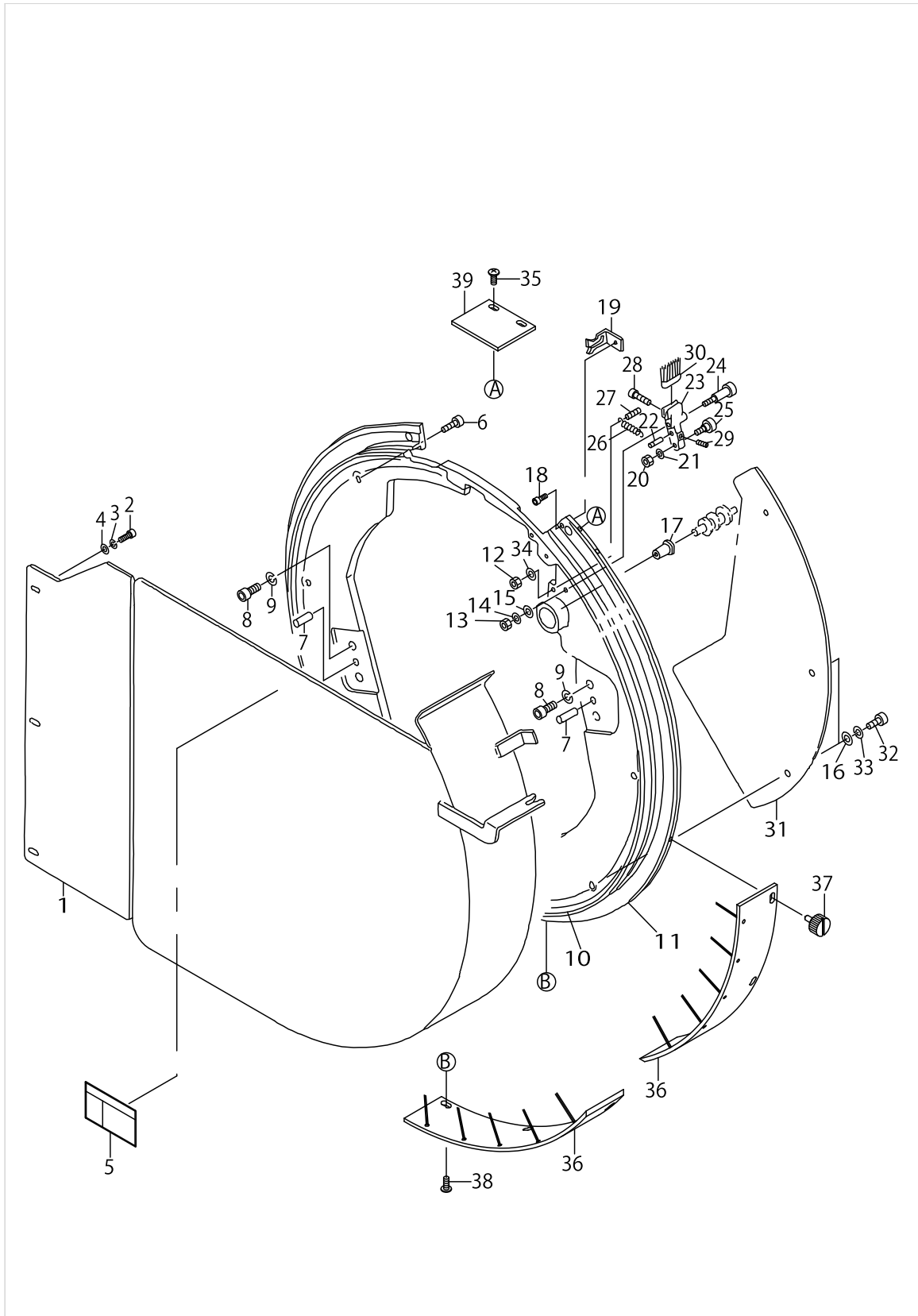
# LOWER NEEDLE BAR COMPONENTS



LOWER NEEDLE BAR COMPONENTS

No.	Parts No.	Parts name	Remarks	Level	Cons	Qty
1	25218405	CAM FOLLOWER LEVER				1
2	25254301	CAM FOLLOWER				1
3	SM6063002TP	SCREW M6 L=30				1
4	NM6080001SC	NUT M8X1.25				1
5	WS0820002KN	SPRING WASHER M8				1
6	25252008	KEY				1
7	25218306	COLLAR,7				1
8	RC0150001KP	RETAINING RING 13.8				1
9	16718702	RETAINING RING				1
10	16710006	BEARING				2
11	16629008	BEARING COLLAR				1
12	25219106	COLLAR				2
13	16711202	COLLAR				1
14	25218702	LOWER NEEDLE ROD SHAFT				1
15	25218603	ARM,LOWER				1
16	SM6062502TP	SCREW M6 L=25				1
17	SM8060552TP	SCREW M6 L=5				1
18	16635005	ECCENTRIC PIN, LOWER				1
19	16633901	SLIDE BLOCK				1
20	25219007	COLLAR,6				1
21	SB115000400	RADIAL BEARING				2
22	RC3200002KP	C RING				1
23	16661902	BUSHING A				1
24	16662009	BUSHING B				1
25	16662108	STAY				1
26	SS6090810SP	SCREW 9/64-40 L= 7.5				2
27	16661118	LIFTING BOSS (LOWER)				1
28	SM6052002TP	SCREW M5 L=20				1
29	25234006	PIN				1
30	25243668	NEEDLE BAR ASM. #32				1
31	25243601	SUPPORT SLEEVE		*		1
32	G5503340000	STEEL BALL HOLDER		*		1
33	G5542340000	STEEL BALL		*		2
34	25234105	PIN (FOR #32)		*		1
35	16680803	NUT		*		1
36	G5506340000	STOP SPRING		*		1
37	G5507340000	LOCK SPRING		*		1
38	G5513340000	RING		*		1
39	G5512340000	STOP PIN		*		1
40	16798100	SUPPORT CYLINDER		*		1
41	G5514340000	PIN		*		1
42	16661506	SUPPORT SLEEVE ROD		*		1
43	16661605	BAR SPRING		*		1
44	16661308	BOLT		*		1
45	16661704	RUBBER WASHER		*		1
46	16661803	NEEDLE BOLT		*		1
47	WP0621016SH	WASHER				1

# DRUM COMPONENTS

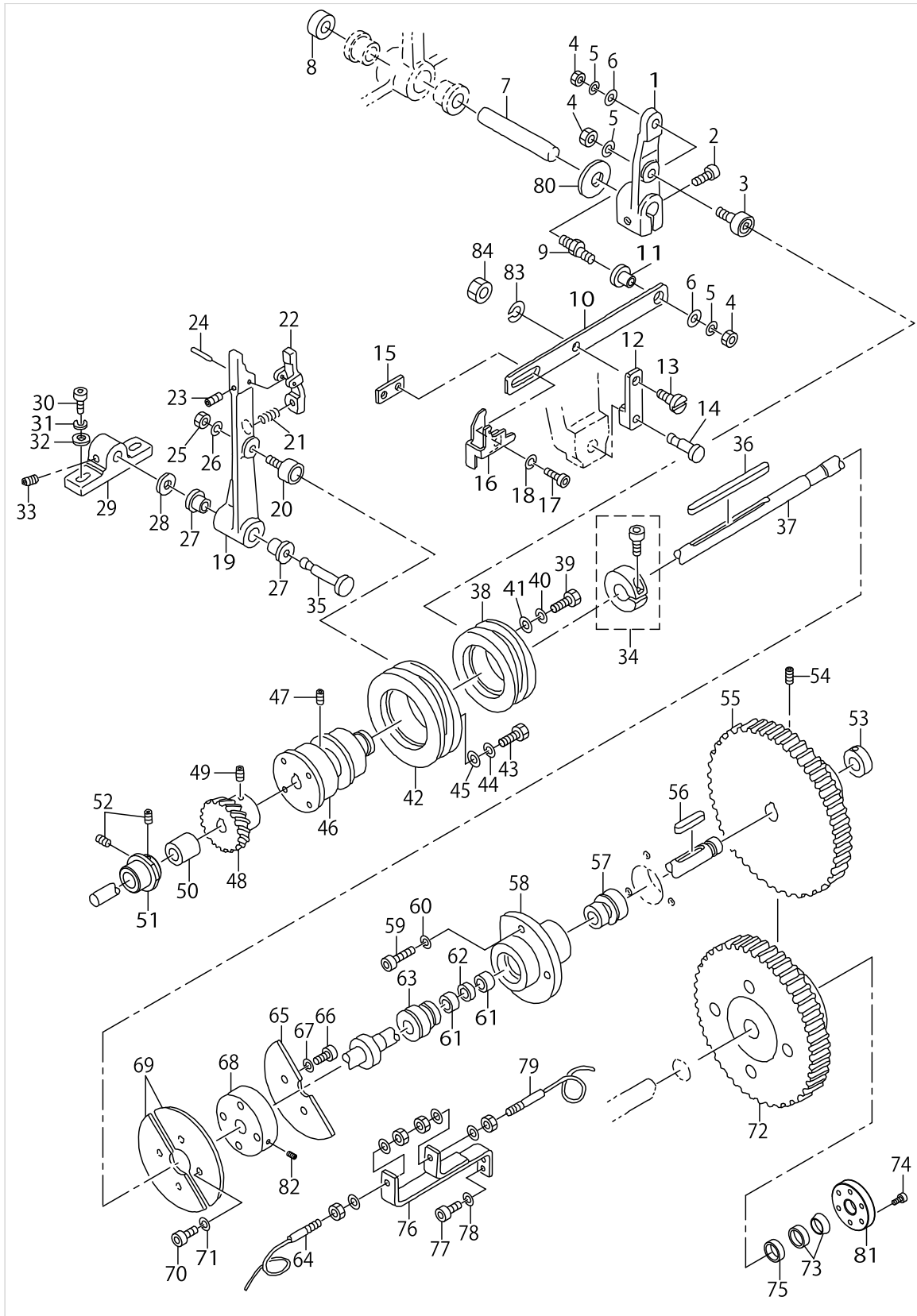


DRUM COMPONENTS

No.	Parts No.	Parts name	Remarks	Level	Cons	Qty
1	25165002	DRUM COVER,C				1
2	SM6051202TP	SCREW M5X0.8 L=12				3
3	WS0510002KN	SPRING WASHER				3
4	WP0531001SC	WASHER				3
5	CM300200202	SAFETY LABEL 2 (LARGE)				1
6	SM6082502TP	SCREW M8 L=25				1
7	16712507	PIN				2
8	SM6083002TP	SCREW M8 L=30				4
9	WS0820002KN	SPRING WASHER M8				4
10	25219304	DRUM,INNER				1
11	25250309	DRUM,OUTER				1
12	NM6040001SC	NUT M4				1
13	NM6050001SC	NUT M5				1
14	WS0510002KN	SPRING WASHER				1
15	WP0531001SC	WASHER				1
16	WP0841601SC	WASHER 8.4X17.4X1.6				6
17	16637308	BUSHING				1
18	SM6030802TP	SCREW M3X0.5 L=8				1
19	25220005	GUIDE BRACKET				1
20	NM6050001SC	NUT M5				1
21	WS0510002KN	SPRING WASHER				1
22	16636706	ANCHOR				1
23	25220609	BRUSH BRACKET,1				1
24	25219700	PIN				1
25	16713208	CAM FOLLOWER				1
26	16878308	SPRING				1
27	25239807	SPRING				1
28	SM6031002TP	HEXAGONAL BOLT M3 X 10				2
29	SM8030502TP	SCREW M3 L=5				1
30	25241902	BRUSH				1
31	25235102	DRUM COVER,B				1
32	SM6083002TP	SCREW M8 L=30				6
33	WS0820002KN	SPRING WASHER M8				6
34	WP0430801SC	WASHER 4.3X9X0.8				1
35	SM0041001SC	SCREW M4 L=10				2
36	25240102	BRUSH				6
37	25251406	SCREW				3
38	SM0041001SC	SCREW M4 L=10				15
39	25240003	PLATE				1



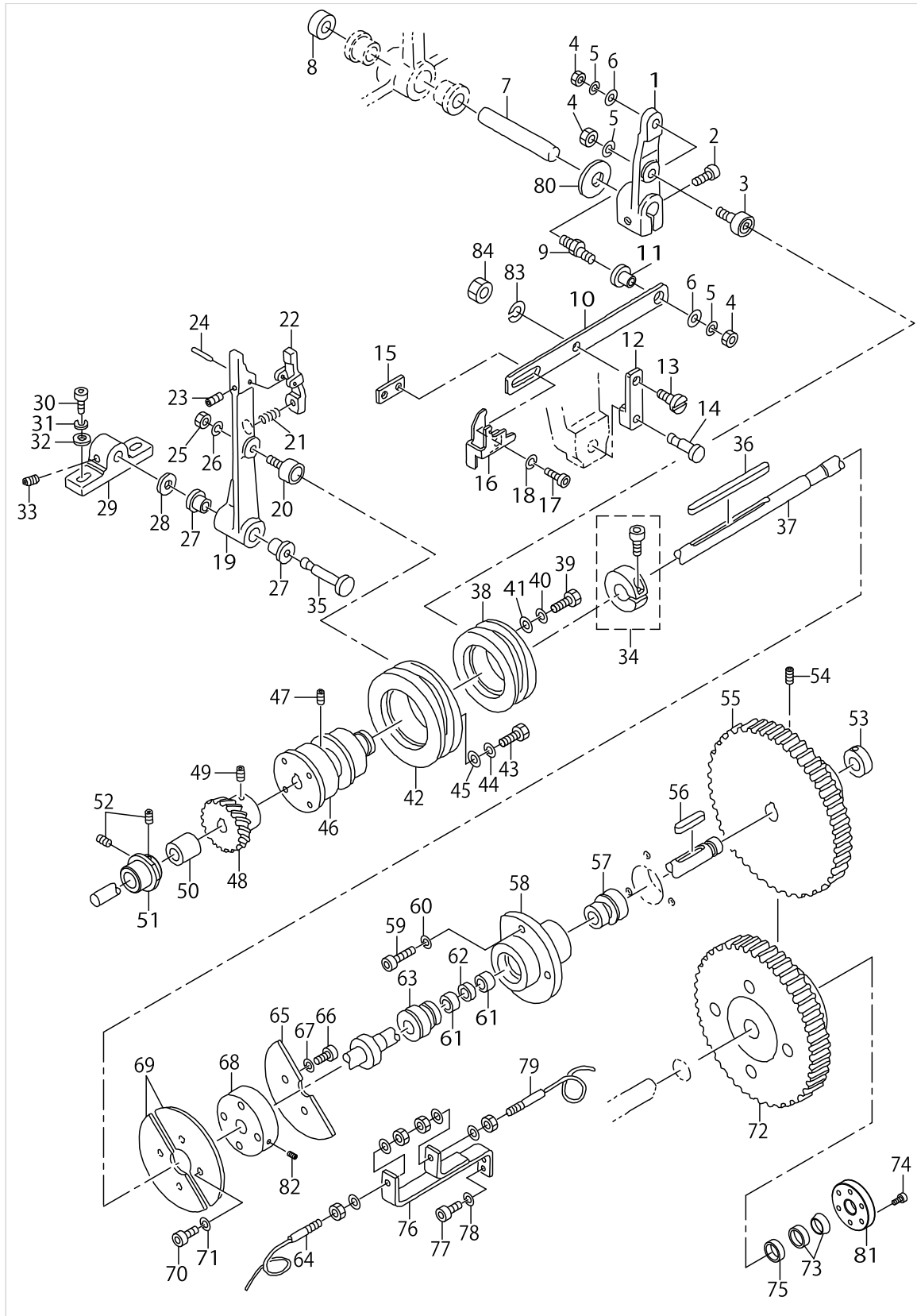
# CYLINDRICAL CAM SHAFT COMPONENTS



CYLINDRICAL CAM SHAFT COMPONENTS

No.	Parts No.	Parts name	Remarks	Level	Cons	Qty
1	25244708	THREAD HAUL ARM				1
2	SM6062002TP	SCREW M6 L=20				1
3	25254509	CAM FOLLOWER				1
4	NM6050001SC	NUT M5				3
5	WS0510002KN	SPRING WASHER				3
6	WP0531001SC	WASHER				2
7	25244609	HAUL ARM PIN				1
8	16711608	COLLAR				1
9	25244302	THREAD HAUL CONNECTING PIN				1
10	25244104	THREAD HAUL FITTING PLATE				1
11	25244203	THREAD HAUL BUSHING				1
12	25244500	LINK				1
13	G5528340000A	LEVER STRUT				1
14	25240508	LINK PIN,1				1
15	16652117	HOLDING PLATE				1
16	25230301	THREAD HAUL				1
17	SM6030602TP	SCREW M3X0.5 L=6				1
18	WS0310002KN	SPRING WASHER M3				1
19	25221409	SWITCH-TYPE LEVER				1
20	25252909	CAM FOLLOWER				1
21	25253907	SPRING				1
22	25221508	SLIDE BLOCK PRESSER LEVER				1
23	SM8040802TP	SCREW M4X8				1
24	25253808	PARALLEL PIN				1
25	NM6060001SC	NUT M6				1
26	WS0610002KN	SPRING WASHER 6.1X12.2X1.5				1
27	16629503	BUSHING				2
28	16710600	THRUST WASHER				1
29	25221607	FULCRUM BASIS				1
30	SM6062502TP	SCREW M6 L=25				2
31	WS0610002KN	SPRING WASHER 6.1X12.2X1.5				2
32	WP0641601SC	WASHER				2
33	SM8060602TP	SCREW M6X6				1
34	16711400	SLIT COLLAR				1
35	16641508	PIVOT PIN				1
36	16714206	KEY				1
37	25220104	SHAFT				1
38	25244906	THREAD HAUL CAM				1
39	SM9051603SD	BOLT M5X0.8 L=16				4
40	WS0510002KN	SPRING WASHER				4
41	16638108	WASHER				4
42	16637902	CYLINDER CAM				1
43	SM9051603SD	BOLT M5X0.8 L=16				4
44	WS0510002KN	SPRING WASHER				4
45	16638108	WASHER				4
46	16637803	BOSS				1
47	SS8660612TP	SCREW 1/4-40 L=6				1

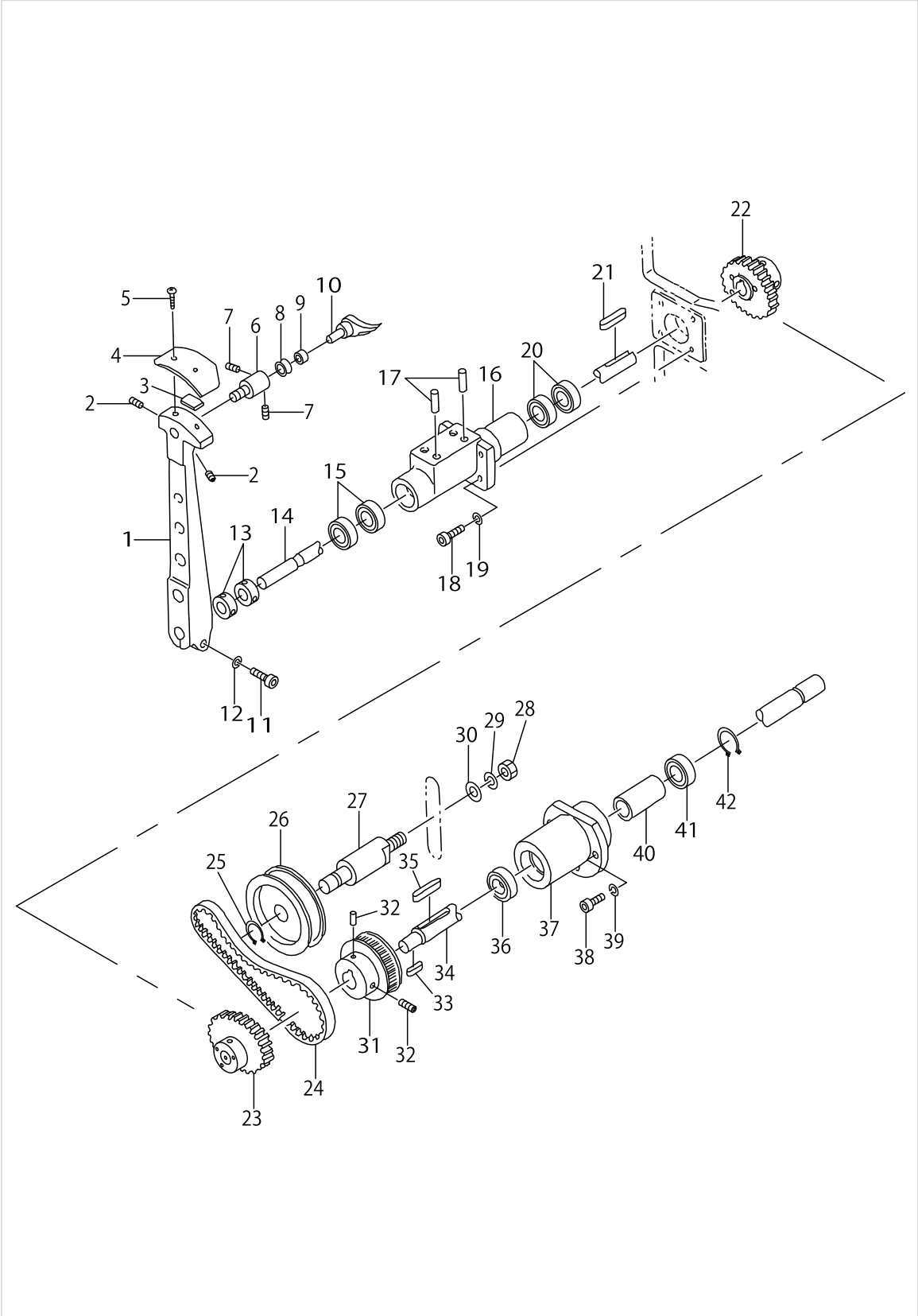
# CYLINDRICAL CAM SHAFT COMPONENTS



CYLINDRICAL CAM SHAFT COMPONENTS

No.	Parts No.	Parts name	Remarks	Level	Cons	Qty
48	16637704	GEAR 2				1
49	SM8050602TP	SCREW M5 L=6				1
50	16795007	POSITIONING COLLAR				1
51	25219510	CAM				1
52	SM8050602TP	SCREW M5 L=6				2
53	16711301	COLLAR				1
54	SM8050602TP	SCREW M5 L=6				1
55	16626400	FLAT GEAR D				1
56	16714305	KEY				1
57	16710204	NEEDLE BEARING				1
58	16626202	BEARING CASE				1
59	SM6051802TP	SCREW M5 L=18				3
60	WS0510002KN	SPRING WASHER				3
61	16710907	COLLAR				2
62	16711004	COLLAR				1
63	16710204	NEEDLE BEARING				1
64	25210550	NS-2 CABLE ASM.				1
65	16638405	INSTRUCTIONS PLATE 2				1
66	SM6040802TP	SCREW M4X0.7 L=8				2
67	WS0410002KN	SPRING WASHER				2
68	16638306	INSTRUCTIONS DRUM				1
69	16638207	INSTRUCTIONS PLATE 1				2
70	SM6040802TP	SCREW M4X0.7 L=8				4
71	WS0410002KN	SPRING WASHER				4
72	25249855	72T GEAR ASM.				1
73	25251505	POWER LOCK				1
74	SM6042002TP	SCREW M4X0.7 L=20				6
75	25250408	SLEEVE				1
76	16629107	SENSOR BRACKET				1
77	SM6051552TP	SCREW M5 L=15				2
78	WS0510002KN	SPRING WASHER				2
79	25210451	NS-1 CABLE ASM.				1
80	16710600	THRUST WASHER				1
81	25250507	FRANGE				1
82	SM8040802TP	SCREW M4X8				2
83	WS0510002KN	SPRING WASHER				1
84	NM6050003SC	NUT M5X0.8				1

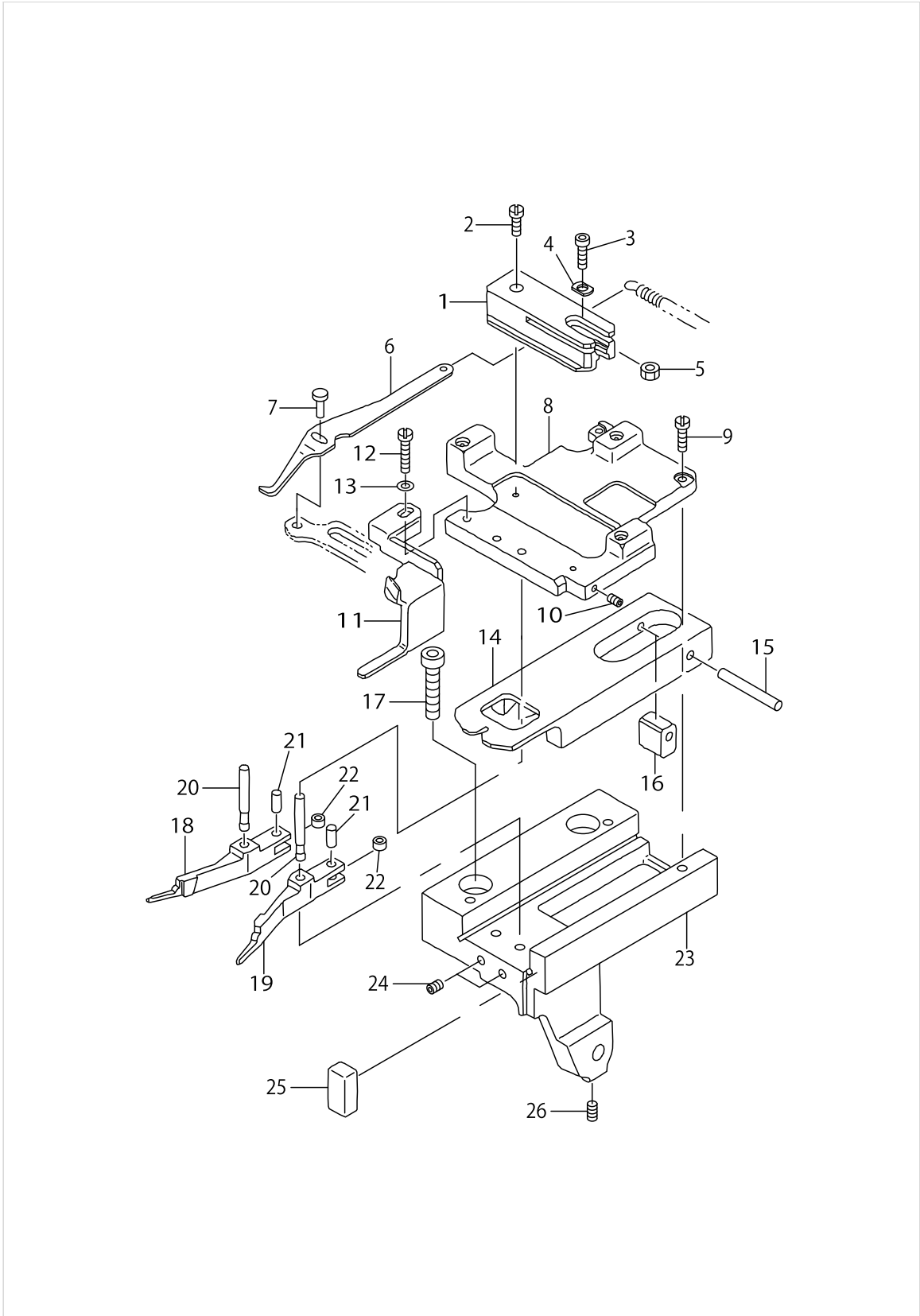
LOWER LOOPER COMPONENTS



LOWER LOOPER COMPONENTS

No.	Parts No.	Parts name	Remarks	Level	Cons	Qty
1	25221102	LOWER LOOPER ARM				1
2	SM8050812TP	SCREW M5X8				2
3	16811705	SPACER				1
4	16639106	GUIDE PLATE				1
5	SM0040601SC	SCREW M4X0.7 L=6				2
6	25242009	ECCENTRIC PIN				1
7	SM8040502TP	SCREW M4X0.7 L=5				2
8	25242108	LOWER LOOPER ROLLER				1
9	16710501	BEARING				1
10	16639403	LOWER LOOPER				1
11	SM6083002TP	SCREW M8 L=30				1
12	WP0841601SC	WASHER 8.4X17.4X1.6				1
13	16711202	COLLAR				2
14	25221003	LOWER LOOPER SHAFT				1
15	SB115000400	RADIAL BEARING				2
16	25221201	BEARING CASE				1
17	16712507	PIN				2
18	SM6063002TP	SCREW M6 L=30				4
19	WS0610002KN	SPRING WASHER 6.1X12.2X1.5				4
20	SB115000400	RADIAL BEARING				2
21	25251901	KEY				1
22	25247859	ELLIPES GEAR B ASM.				1
23	25247651	ELLIPES GEAR A ASM.				1
24	25254707	TIMING BELT				1
25	RC1200001KP	C-SHAPED SNAP RING				1
26	25254905	IDLER PULLEY				1
27	25215708	IDLER SHAFT				1
28	NM6080001SC	NUT M8X1.25				1
29	WS0820002KN	SPRING WASHER M8				1
30	WP0841601SC	WASHER 8.4X17.4X1.6				1
31	25216409	TIMING PULLEY,2				1
32	SM8050802TP	SCREW M5X0.8 L=8				2
33	25252107	KEY				1
34	25239609	GEAR SHAFT,A				1
35	25252206	KEY				1
36	SB115000400	RADIAL BEARING				1
37	25216201	BEARING CASE				1
38	SM6051802TP	SCREW M5 L=18				3
39	WS0510002KN	SPRING WASHER				3
40	25215807	BEARING COLLAR				1
41	SB115000400	RADIAL BEARING				1
42	RC0150001KP	RETAINING RING 13.8				1

# HOOK & NEEDLE GRASP COMPONENTS

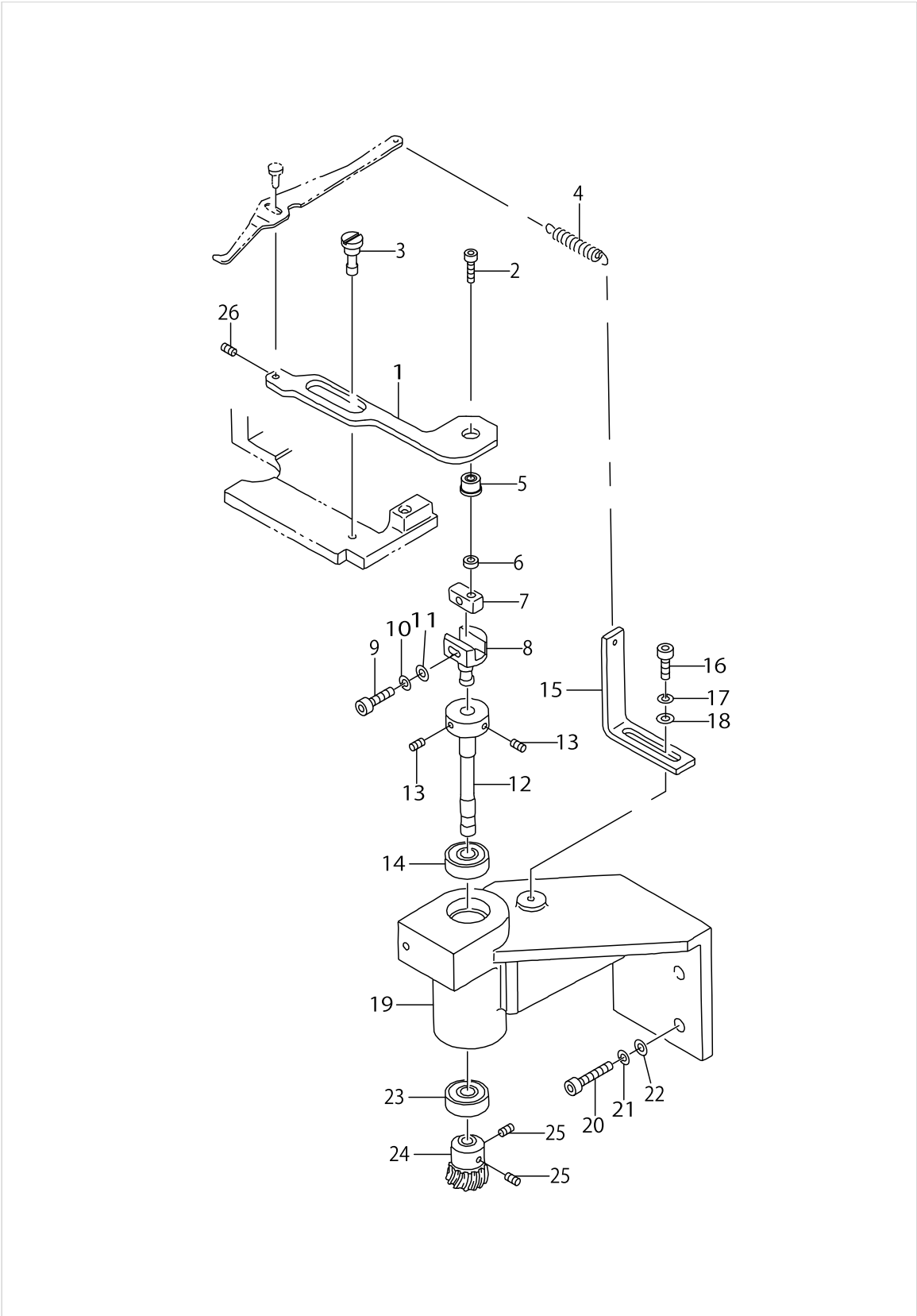


HOOK & NEEDLE GRASP COMPONENTS

No.	Parts No.	Parts name	Remarks	Level	Cons	Qty
1	16642407	GUIDE PLATE				1
2	SS6121010SP	SCREW 3/16-28 L=10				1
3	SM6040602TP	SCREW M4 L=6				1
4	16642506	GUIDE WASHER				1
5	NM6040001SC	NUT M4				1
6	16642613	HOOK PLATE				1
7	16642704	PIN				1
8	16642217	BLOCK COVER				1
9	SS7111410SP	SCREW 11/64-40 L=14				2
10	SM8040802TP	SCREW M4X8				1
11	25222803	THREAD GUIDE				1
12	SS7111410SP	SCREW 11/64-40 L=14				1
13	WP0531001SC	WASHER				1
14	16641029	SLIDE BLOCK				1
15	16641102	BLOCK PIN				1
16	25221904	SWITCH-TYPE SLIDE BLOCK				1
17	SM6082002TN	SCREW M8 L=20				2
18	25221706	PAWL,1				1
19	25221805	PAWL,2				1
20	16640500	PIN				2
21	16640807	ROLLER PIN				2
22	16640914	ROLLER				2
23	25244005	SLIDE CASE				1
24	SM8040502TP	SCREW M4X0.7 L=5				2
25	25244807	RUBBER				1
26	SM8050602TP	SCREW M5 L=6				1



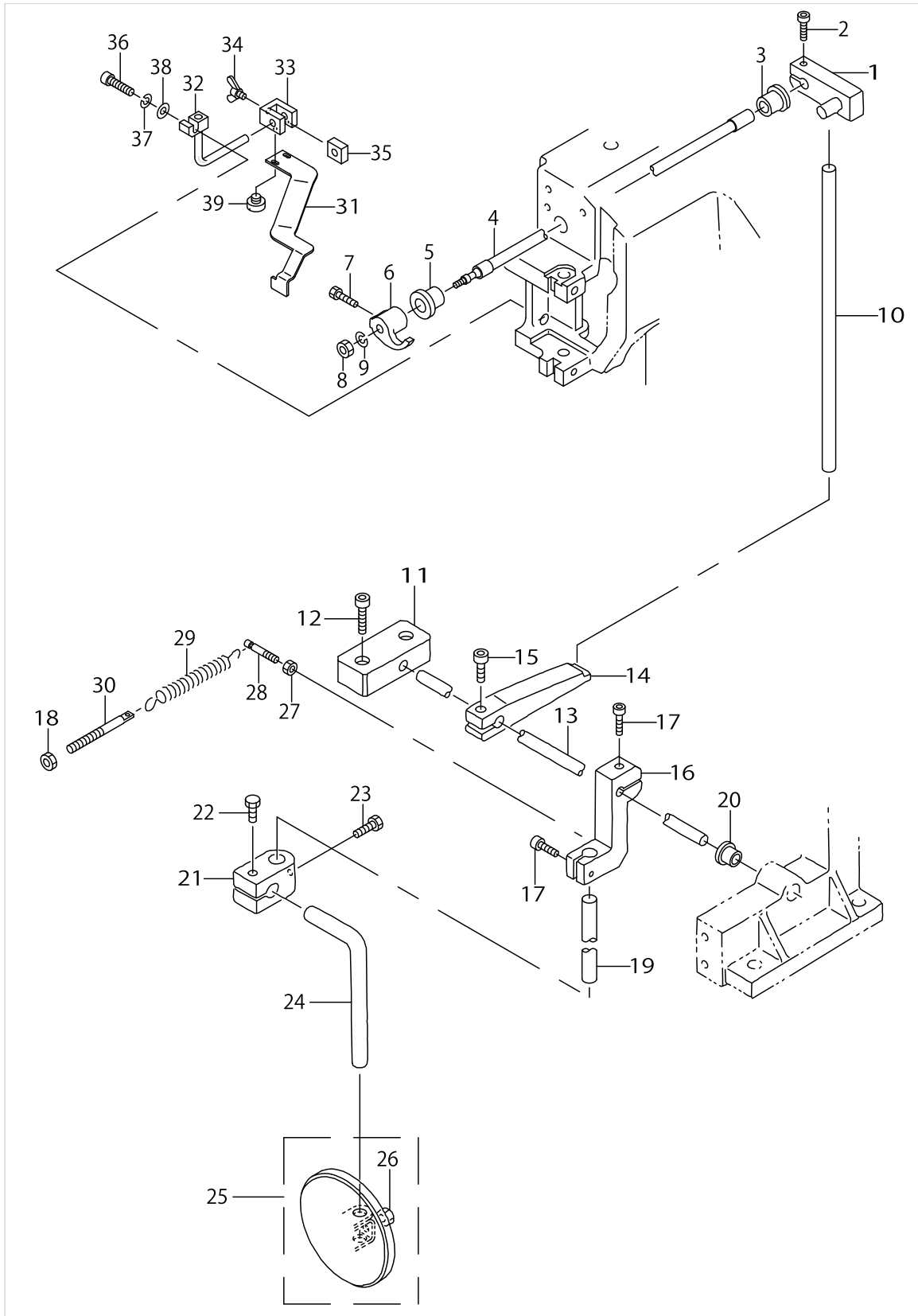
HOOK COMPONENTS



## HOOK COMPONENTS

No.	Parts No.	Parts name	Remarks	Level	Cons	Qty
1	16642811	LEVER				1
2	SM6051002TP	SCREW M5X0.8 L=10				1
3	16643009	ECCENTRIC PIN				1
4	16643504	SPRING				1
5	SB105000300	BALL BEARING				1
6	25222704	COLLAR				1
7	25222605	KEY				1
8	25222506	HOLDER				1
9	SM6041002TP	SCREW M4 L=10				1
10	WS0410002KN	SPRING WASHER				1
11	WP0430801SC	WASHER 4.3X9X0.8				1
12	25222407	ROTATING SHAFT				1
13	SM8040802TP	SCREW M4X8				2
14	16710808	BEARING				1
15	16643603	SPRING SUSPENSION				1
16	SM6051202TP	SCREW M5X0.8 L=12				1
17	WS0510002KN	SPRING WASHER				1
18	WP0531001SC	WASHER				1
19	16643405	BRACKET				1
20	SM6062002TP	SCREW M6 L=20				1
21	WS0610002KN	SPRING WASHER 6.1X12.2X1.5				1
22	WP0641601SC	WASHER				1
23	16710808	BEARING				1
24	16643306	GEAR 1				1
25	SM8040502TP	SCREW M4X0.7 L=5				2
26	SM8030502TP	SCREW M3 L=5				1

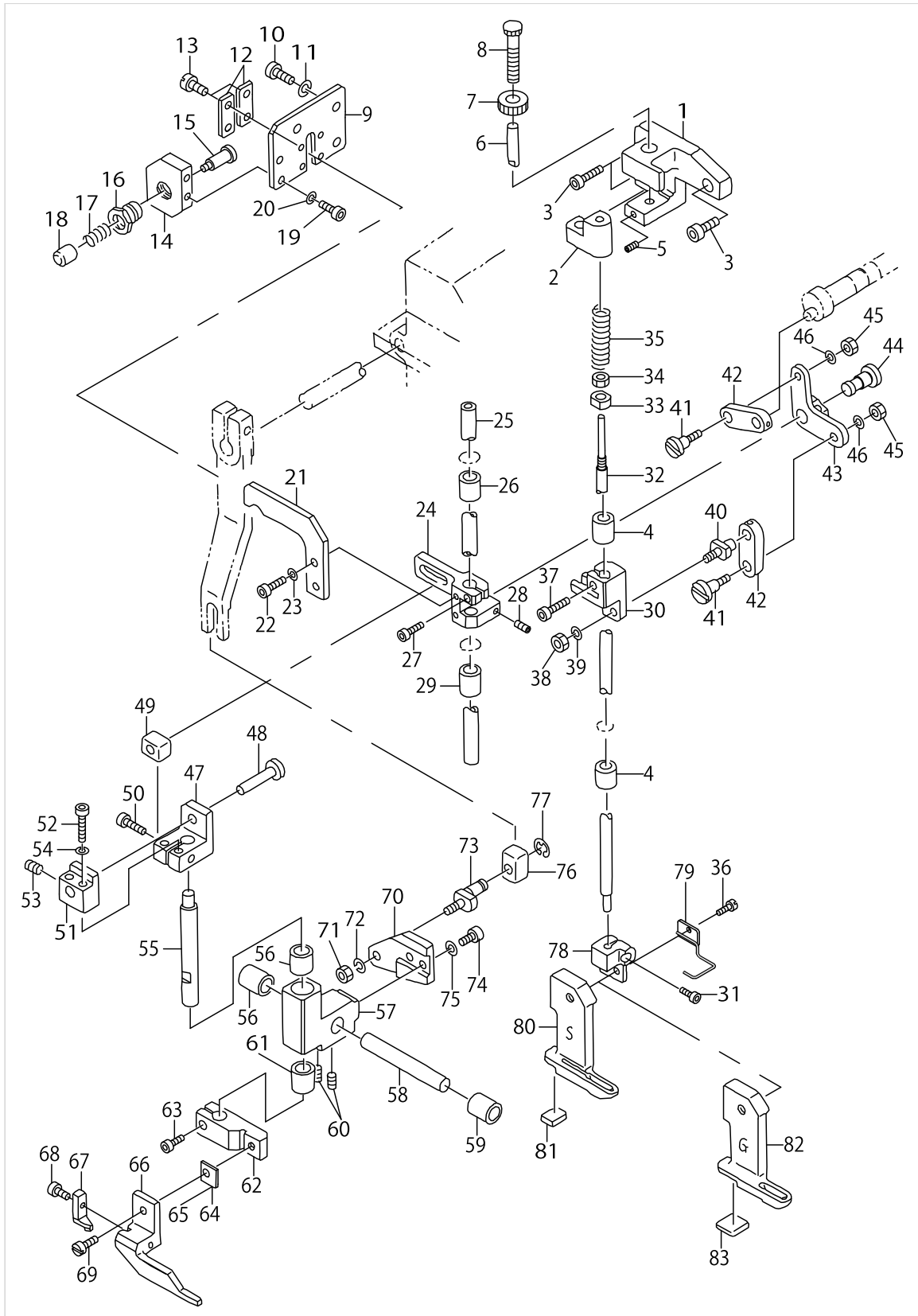
# KNEE PRESS LIFTER & KOBA RULER COMPONENTS



KNEE PRESS LIFTER & KOBA RULER COMPONENTS

No.	Parts No.	Parts name	Remarks	Level	Cons	Qty
1	16645707	LEVER				1
2	SM6061802TP	SCREW M6 L=18				1
3	16628000	BUSHING				1
4	16645608	KNEE LIFTER SHAFT				1
5	16628505	BUSHING				1
6	16645806	PAWL				1
7	SS9111010SP	SCREW 11/64-40 L=9.5				1
8	NM6060003SC	NUT M6				1
9	WS0610002KN	SPRING WASHER 6.1X12.2X1.5				1
10	25224106	CONNECTING SHAFT				1
11	25224304	BLOCK				1
12	SM6063002TP	SCREW M6 L=30				2
13	25224205	KNEE LIFTER CONNECTING SHAFT				1
14	25224007	KNEE LIFTER LEVER				1
15	SM6051802TP	SCREW M5 L=18				1
16	16646515	BRACKET				1
17	SM6062002TP	SCREW M6 L=20				2
18	NM6050001SC	NUT M5				1
19	16646721	L SHAFT				1
20	16628901	BUSHING				1
21	11024502	KNEE PRESS LOD BEARING BRACKET				1
22	SS9182010SN	SCREW 9/32-20 L=20				1
23	SS9182010SN	SCREW 9/32-20 L=20				1
24	B3419122000	KNEE LIFTER PLATE ROD				1
25	16775850	KNEE PRESS PLATE ASM.				1
26	SM6051002TP	SCREW M5X0.8 L=10		*		1
27	NM6050003SC	NUT M5X0.8				1
28	16646606	ANCHOR A				1
29	16647000	SPRING				1
30	25253600	SPRING RACK				1
31	25242504	COBA RULER				1
32	25222209	COBA RULER BRACKET				1
33	25226804	KABA RULER GUIDE				1
34	25253501	BOLT M4X5L				1
35	25226903	KOBA RULER GUIDE STOPPER				1
36	SM6052002TP	SCREW M5 L=20				1
37	WS0510002KN	SPRING WASHER				1
38	WP0531001SC	WASHER				1
39	SS6060440TP	SCREW 3/32-56 L=3.5				1

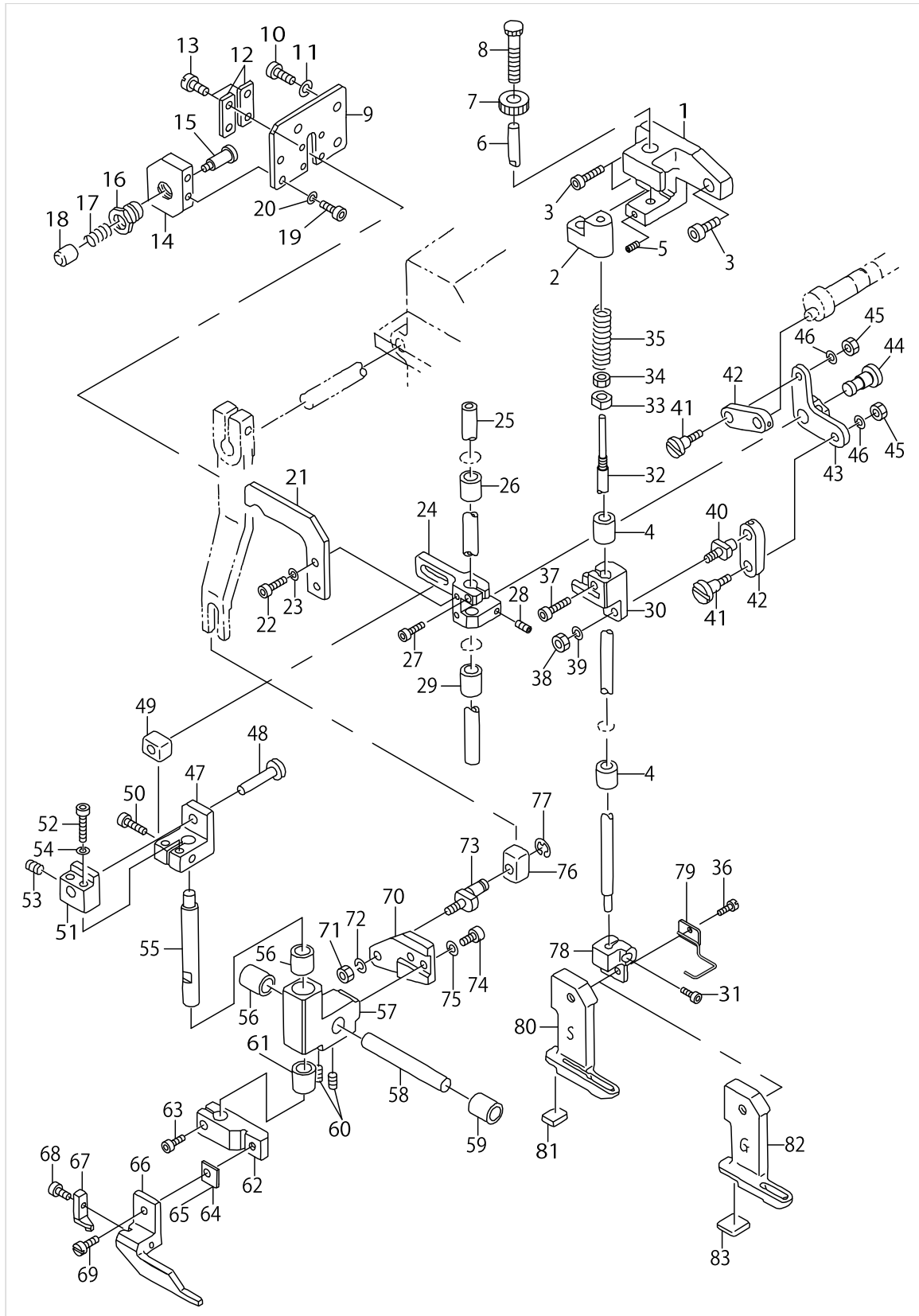
PRESSER FOOT COMPONENTS



PRESSER FOOT COMPONENTS

No.	Parts No.	Parts name	Remarks	Level	Cons	Qty
1	16660706	BRACKET				1
2	16663908	SPRING PRESSER BLOCK				1
3	SM6041202TP	SCREW M4X0.7 L=12				3
4	16628703	BUSHING				2
5	SS8110510SP	SCREW 11/64-40 L=5				1
6	16680704	PIN				1
7	16680605	NUT				1
8	16680506	ADJUSTING SCREW				1
9	25246406	SIDE PLATE				1
10	SM6041002TP	SCREW M4 L=10				3
11	WS0410002KN	SPRING WASHER				3
12	25246505	GUIDE PLATE				2
13	SS6090810SP	SCREW 9/64-40 L= 7.5				4
14	25227208	LOCK PIN METAL				1
15	16663007	STOPPER PIN				1
16	16662900	SPRING HOLDER				1
17	16663106	SPRING				1
18	16663205	CAP				1
19	SM6041002TP	SCREW M4 L=10				2
20	WS0410002KN	SPRING WASHER				2
21	25246307	ROCKING PLATE				1
22	SM6041002TP	SCREW M4 L=10				2
23	WS0410002KN	SPRING WASHER				2
24	25245408	ROCKING BLOCK				1
25	25245606	VERTICAL SHAFT,1				1
26	25253402	BUSHING				1
27	SM6041502TP	SCREW M4X0.7 L=15				1
28	SM8040602TP	SCREW M4X0.7 L=6				1
29	25253402	BUSHING				1
30	25245309	BLOCK				1
31	SM6041002TP	SCREW M4 L=10				1
32	16663411	PRESSER SHAFT				1
33	16663718	FIXING COLLAR				1
34	25227604	NUT				1
35	16663809	SPRING				1
36	SS6080810SP	SCREW 1/8-44 L= 8.0				1
37	SM6041502TP	SCREW M4X0.7 L=15				1
38	NM6040003SC	NUT M4				1
39	WS0410002KN	SPRING WASHER				1
40	25228503	LINK PIN,1				1
41	25241803	LINK PIN,5				2
42	25228305	LINK,1				2
43	25229907	L LINK,A				1
44	25245507	L LINK PIN				1
45	NM6040003SC	NUT M4				2
46	WS0410002KN	SPRING WASHER				2
47	25245903	HOLDER METAL,1				1

PRESSER FOOT COMPONENTS

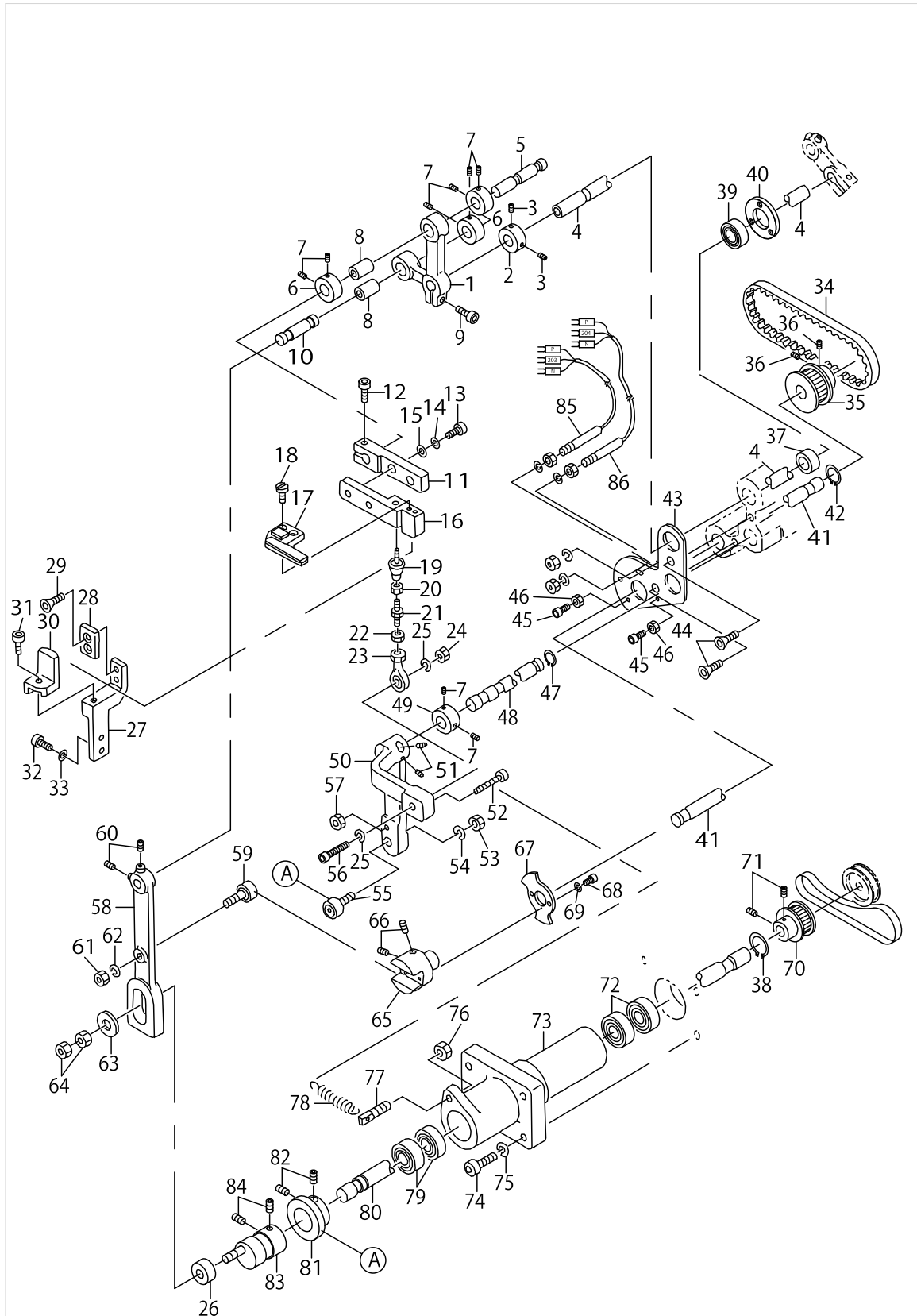


PRESSER FOOT COMPONENTS

No.	Parts No.	Parts name	Remarks	Level	Cons	Qty
48	25246109	PIN				1
49	25246000	CROSSFEED BLOCK				1
50	SM6041502TP	SCREW M4X0.7 L=15				1
51	25245705	HOLDER METAL				1
52	SM6032002TP	SCREW M3X0.5 L=20				2
53	SM8040602TP	SCREW M4X0.7 L=6				1
54	WS0310002KN	SPRING WASHER M3				2
55	25245804	VERTICAL SHAFT,2				1
56	25253402	BUSHING				2
57	25247008	FEED CASE				1
58	25246901	SIDE SHAFT				1
59	25253402	BUSHING				1
60	SM8040602TP	SCREW M4X0.7 L=6				2
61	25253402	BUSHING				1
62	25246604	UPPER FEED FITTING LEVER				1
63	SM6051202TP	SCREW M5X0.8 L=12				1
64	25246703	UPPER FEED FITTING SHIM,1	SELECTIVE PART			1
65	25246802	UPPER FEED FITTING SHIM,2	SELECTIVE PART			1
66	25227901	UPPER FEED DOG ASM.				1
67	25228008	INSIDE FEED DOG ASM.				1
68	SS6081210SP	SCREW 1/8-44 L=12				1
69	SS7111120SP	SCREW 11/64-40 L=10.5				1
70	25247206	PLATE				1
71	NM6040003SC	NUT M4				1
72	WS0410002KN	SPRING WASHER				1
73	25247305	SLIDE BLOCK PIN				1
74	SM6041002TP	SCREW M4 L=10				2
75	WS0410002KN	SPRING WASHER				2
76	25247404	SLIDE BLOCK PIN				1
77	RC0470611KP	RETAINING RING 4.7				1
78	16669418	PRESSER FOOT HOLDER				1
79	25238007	FINGER GUARD				1
80	25242900	PRESSER,STANDARD	SELECTIVE PART			1
81	25243007	RUBBER,S	SELECTIVE PART			1
82	25238106	PRESSER,GUSHI	SELECTIVE PART			1
83	25239708	RUBBER,G	SELECTIVE PART			1



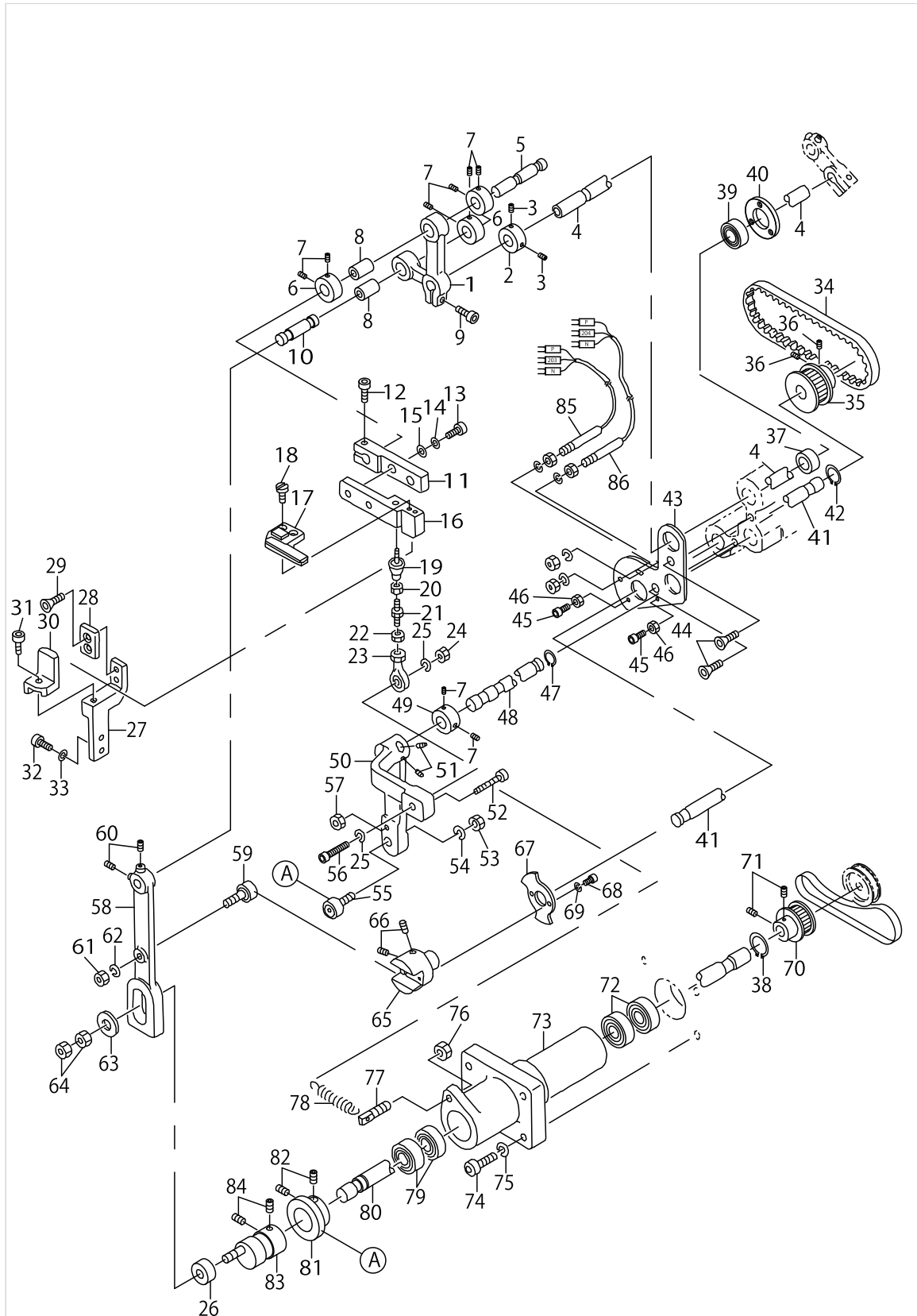
# LOWER FEED COMPONENTS



LOWER FEED COMPONENTS

No.	Parts No.	Parts name	Remarks	Level	Cons	Qty
1	25230509	LOWER FEED ARM,2				1
2	16711608	COLLAR				1
3	SM8040502TP	SCREW M4X0.7 L=5				2
4	25233115	CONNECTING SHAFT,LOWER				1
5	25231002	ARM PIN,1				1
6	16711509	COLLAR				3
7	SM8040502TP	SCREW M4X0.7 L=5				8
8	25253006	NEEDLE BEARING				2
9	SM6061202TP	SCREW M6 L=12				1
10	25231101	ARM PIN,2				1
11	25230806	LOWER FEED LEVER,2				1
12	SM6051552TP	SCREW M5 L=15				1
13	SM6051552TP	SCREW M5 L=15				2
14	WS0510002KN	SPRING WASHER				2
15	WP0531001SC	WASHER				2
16	25230608	LOWER FEED LEVER,A				1
17	25231309	LOWER FEED DOG ASM.				1
18	SS6090810SP	SCREW 9/64-40 L= 7.5				2
19	16713703	LINK BALL				1
20	NM6050003SC	NUT M5X0.8				1
21	25231200	SHAFT				1
22	NM6050550SD	NUT M5X0.8				1
23	G5181340000	JOINT B				1
24	NM6050003SC	NUT M5X0.8				1
25	WS0510002KN	SPRING WASHER				2
26	25252602	ROLLER FOLLOWER				1
27	25231408	LOOSENESS PREVENTION,1				1
28	25232505	LINER				1
29	25152109	SCREW				2
30	25231507	LOOSENESS PREVENTION,2				1
31	SM6041002TP	SCREW M4 L=10				1
32	SM6041802TP	SCREW M4 L=18				2
33	WS0410002KN	SPRING WASHER				2
34	25253709	TIMING BELT				1
35	25223405	TIMING PULLEY				1
36	SM8050602TP	SCREW M5 L=6				2
37	16711608	COLLAR				1
38	RC1200001KP	C-SHAPED SNAP RING				1
39	SB110000400	BALL BEARING				1
40	25215609	BEARING PRESSER				1
41	25231705	FULCRUM SHAFT				1
42	RC0931011KP	RETAINING RING				1
43	25223108	BEARING PRESSER PLATE				1
44	25150509	SCREW				2
45	SM6051202TP	SCREW M5X0.8 L=12				2
46	NM6050001SC	NUT M5				2
47	RC0931011KP	RETAINING RING				1

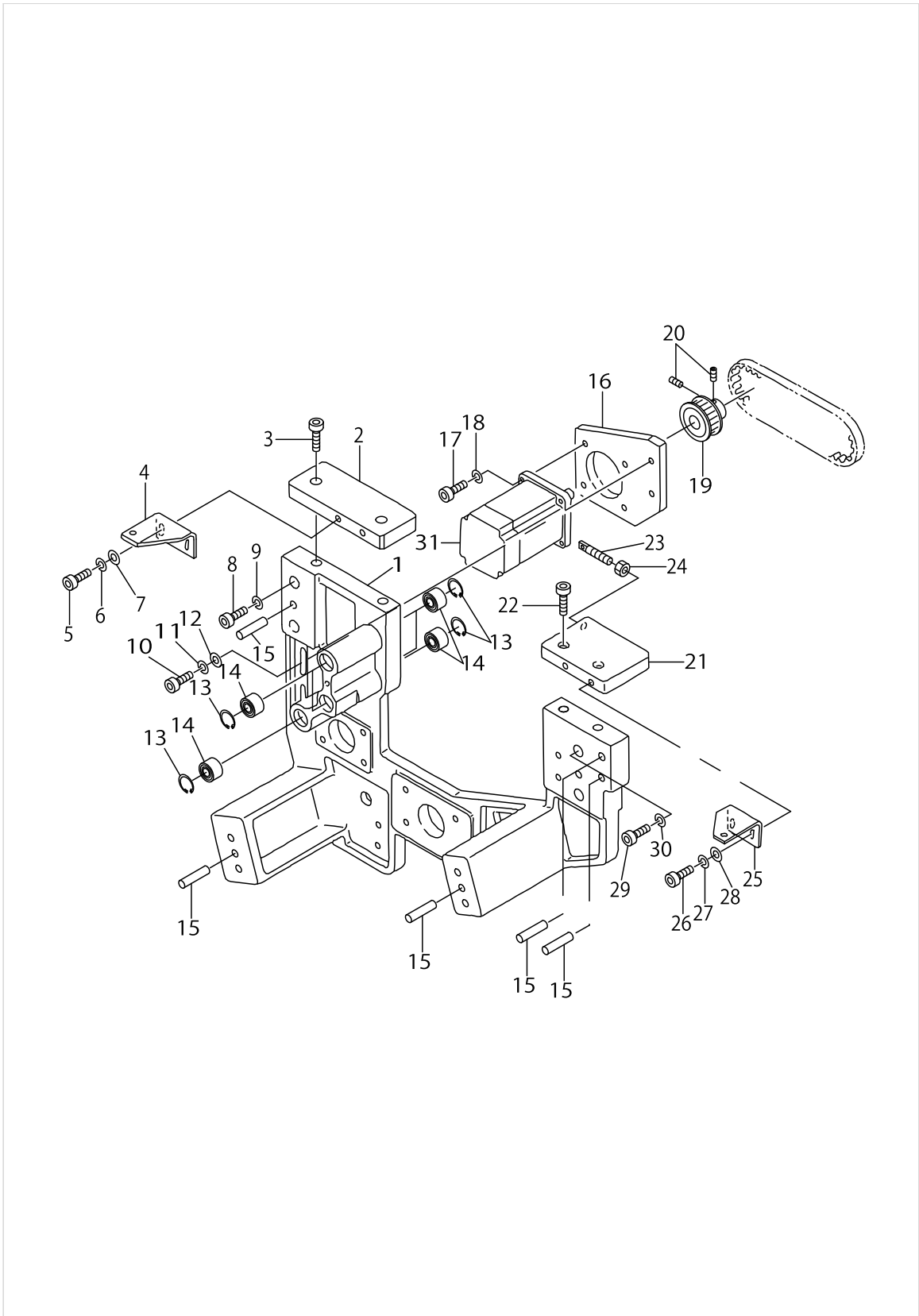
# LOWER FEED COMPONENTS



LOWER FEED COMPONENTS

No.	Parts No.	Parts name	Remarks	Level	Cons	Qty
48	25230905	ARM SHAFT,1				1
49	16711608	COLLAR				1
50	25230400	LOWER FEED ARM,1				1
51	SM8050602TP	SCREW M5 L=6				2
52	SM6062002TP	SCREW M6 L=20				1
53	NM6060003SC	NUT M6				1
54	WS0610002KN	SPRING WASHER 6.1X12.2X1.5				1
55	16713307	CAM FOLLOWER				1
56	SM6052502TP	SCREW M5X0.8 L=25				1
57	NM6060003SC	NUT M6				1
58	25231804	ROCKING LEVER				1
59	25252909	CAM FOLLOWER				1
60	SM8050602TP	SCREW M5 L=6				2
61	NM6060003SC	NUT M6				1
62	WS0610002KN	SPRING WASHER 6.1X12.2X1.5				1
63	25232000	WASHER				1
64	NM6060003SC	NUT M6				2
65	25232406	ROTATING BOSS				1
66	SM8051002TP	SCREW M5 L=10				2
67	25231606	PLATE				1
68	SM6041002TP	SCREW M4 L=10				2
69	WS0410002KN	SPRING WASHER				2
70	25216300	TIMING PULLEY,1				1
71	SM8050602TP	SCREW M5 L=6				2
72	SB112000200	BEARING				2
73	25232208	BEARING BASE				1
74	SM6062502TP	SCREW M6 L=25				4
75	WS0610002KN	SPRING WASHER 6.1X12.2X1.5				4
76	NM6060003SC	NUT M6				1
77	25252800	POST				1
78	16666406	SPRING				1
79	SB112000200	BEARING				2
80	25232109	LOWER FEED PULLEY SHAFT				1
81	25232315	LOWER FEED VERTICAL CAM				1
82	SM8050602TP	SCREW M5 L=6				2
83	25231903	ECCENTRIC BOSS				1
84	SM8050602TP	SCREW M5 L=6				2
85	25210659	NS-3 CABLE ASM.				1
86	25210758	NS-4 CABLE ASM.				1

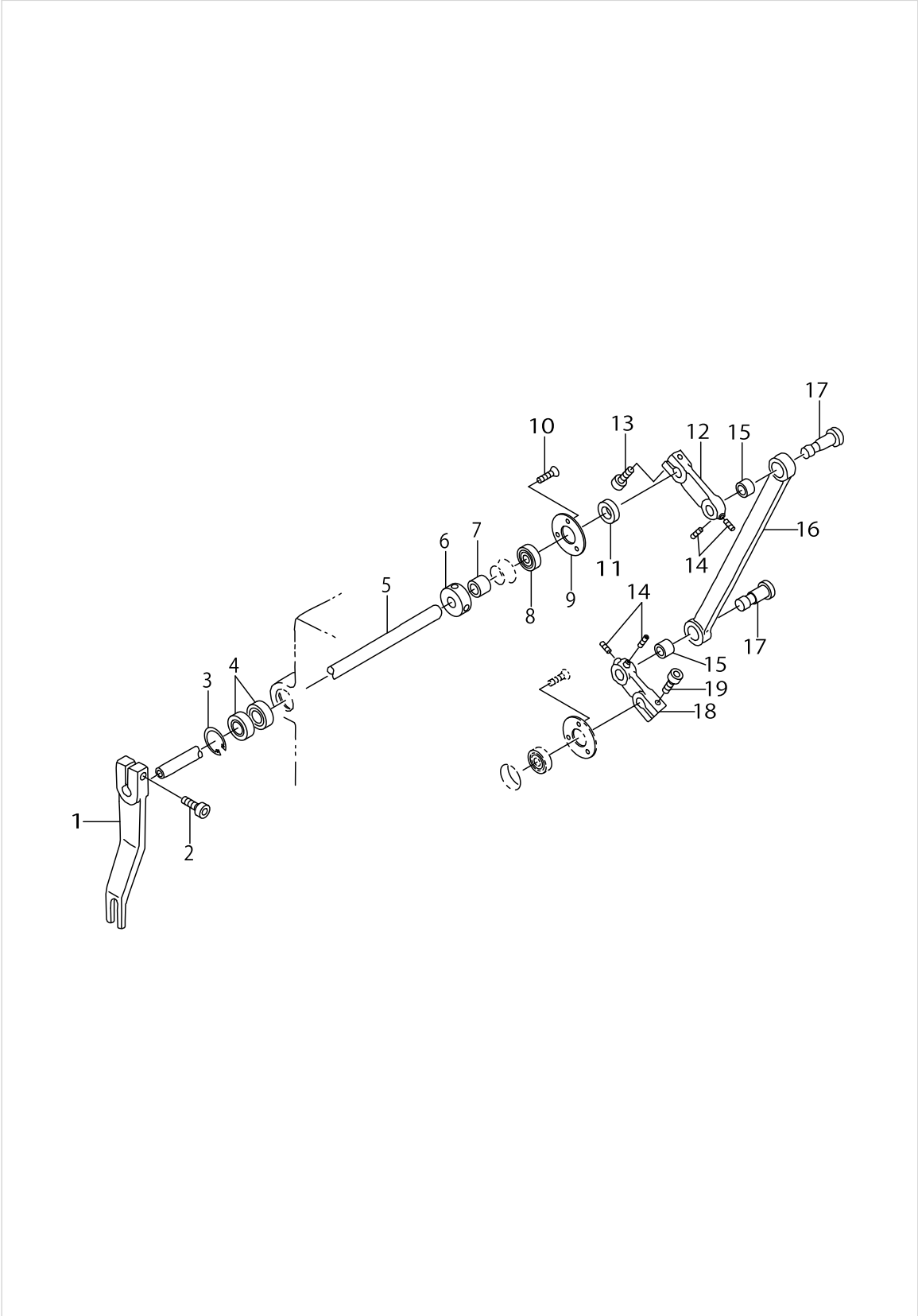
INTERMEDIATE PLATE & FEED CHANGE MOTOR COMPONENTS



INTERMEDIATE PLATE & FEED CHANGE MOTOR COMPONENTS

No.	Parts No.	Parts name	Remarks	Level	Cons	Qty
1	25222902	INTERMEDIATE PLATE				1
2	25242306	FITTING BASIS,L				1
3	SM6051002TP	SCREW M5X0.8 L=10				2
4	25234501	COVER HOLDING,L				1
5	SM6040802TP	SCREW M4X0.7 L=8				2
6	WS0410002KN	SPRING WASHER				2
7	WP0430801SC	WASHER 4.3X9X0.8				2
8	SM6104002TP	SCREW				2
9	WS1020002KN	SPRING WASHER M10				2
10	SM6062002TP	SCREW M6 L=20				2
11	WS0610002KN	SPRING WASHER 6.1X12.2X1.5				2
12	WP0641601SC	WASHER				2
13	RC2600002KP	C-SHAPED SNAP RING				6
14	SB110000400	BALL BEARING				6
15	16712408	PIN				4
16	25223009	MOTOR PLATE				1
17	SM6062002TP	SCREW M6 L=20				4
18	WS0610002KN	SPRING WASHER 6.1X12.2X1.5				4
19	25242405	TIMING PULLEY				1
20	SM8050602TP	SCREW M5 L=6				2
21	25242207	FITTING BASE,R				1
22	SM6051202TP	SCREW M5X0.8 L=12				2
23	25253600	SPRING RACK				1
24	NM6050001SC	NUT M5				1
25	25234402	COVER HOLDING,R				1
26	SM6040802TP	SCREW M4X0.7 L=8				2
27	WS0410002KN	SPRING WASHER				2
28	WP0430801SC	WASHER 4.3X9X0.8				2
29	SM6104002TP	SCREW				2
30	WS1020002KN	SPRING WASHER M10				2
31	25208851	PULSE MOTOR ASM.				1

FEED CONNECTING COMPONENTS

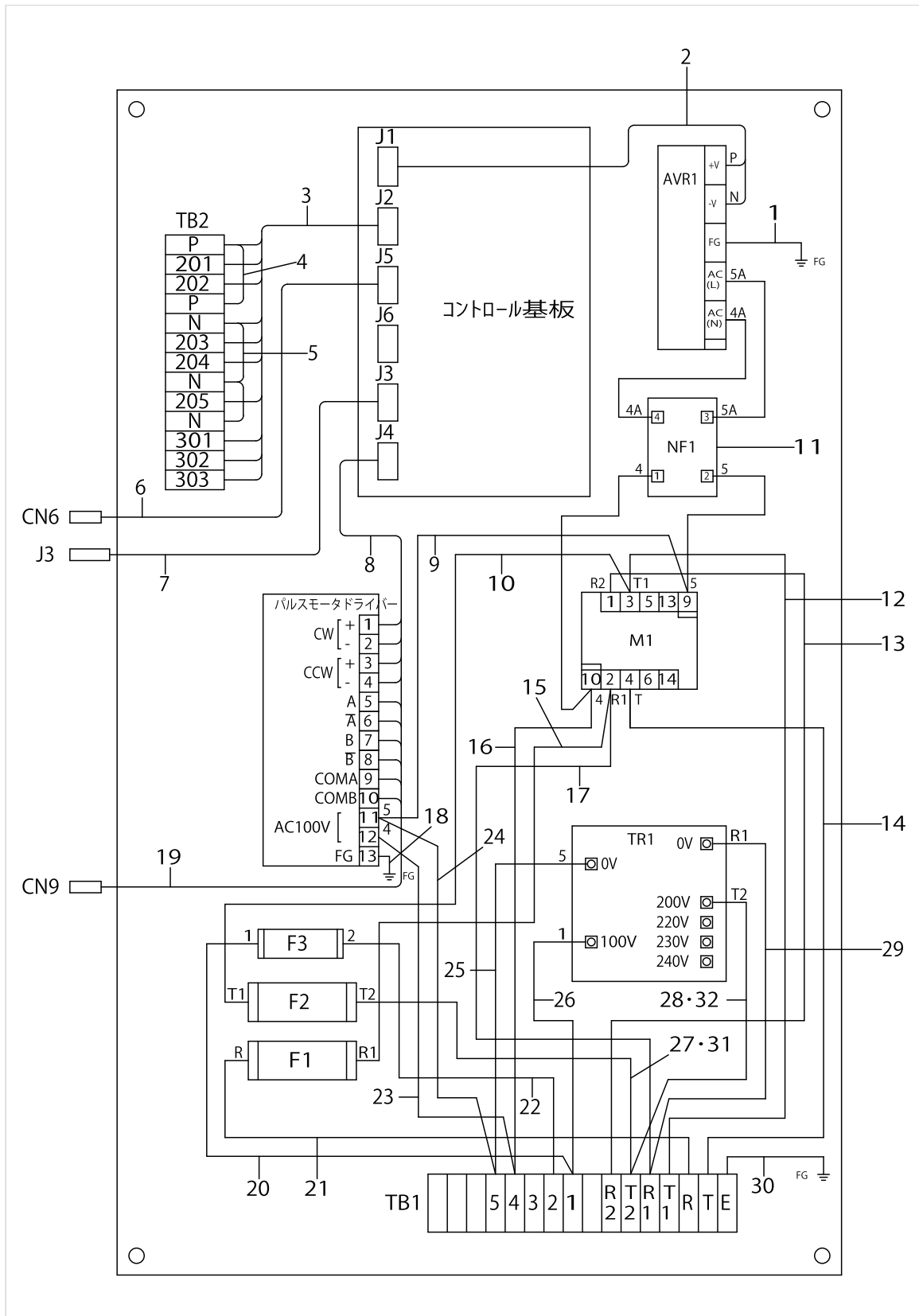


FEED CONNECTING COMPONENTS

No.	Parts No.	Parts name	Remarks	Level	Cons	Qty
1	25247503	UPPER FEED LEVER				1
2	SM6051552TP	SCREW M5 L=15				1
3	RC0220001KP	C-TYPE SNAP RING				1
4	16710303	BEARING				2
5	25233016	CONNECTING SHAFT				1
6	16711608	COLLAR				1
7	25233206	CONNECTING SHAFT COLLAR,1				1
8	SB110000400	BALL BEARING				1
9	25215609	BEARING PRESSER				1
10	25150103	BOLT				3
11	25233305	CONNECTING SHAFT COLLAR,2				1
12	25232703	COMMUNICATION LEVER,UPPER				1
13	SM6051552TP	SCREW M5 L=15				1
14	SM8040502TP	SCREW M4X0.7 L=5				4
15	25252404	BUSHING				2
16	25232604	COMMUNICATION LINK				1
17	25232901	COMMUNICATION LINK PIN				2
18	25232802	COMMUNICATION LEVER,LOWER				1
19	SM6051552TP	SCREW M5 L=15				1

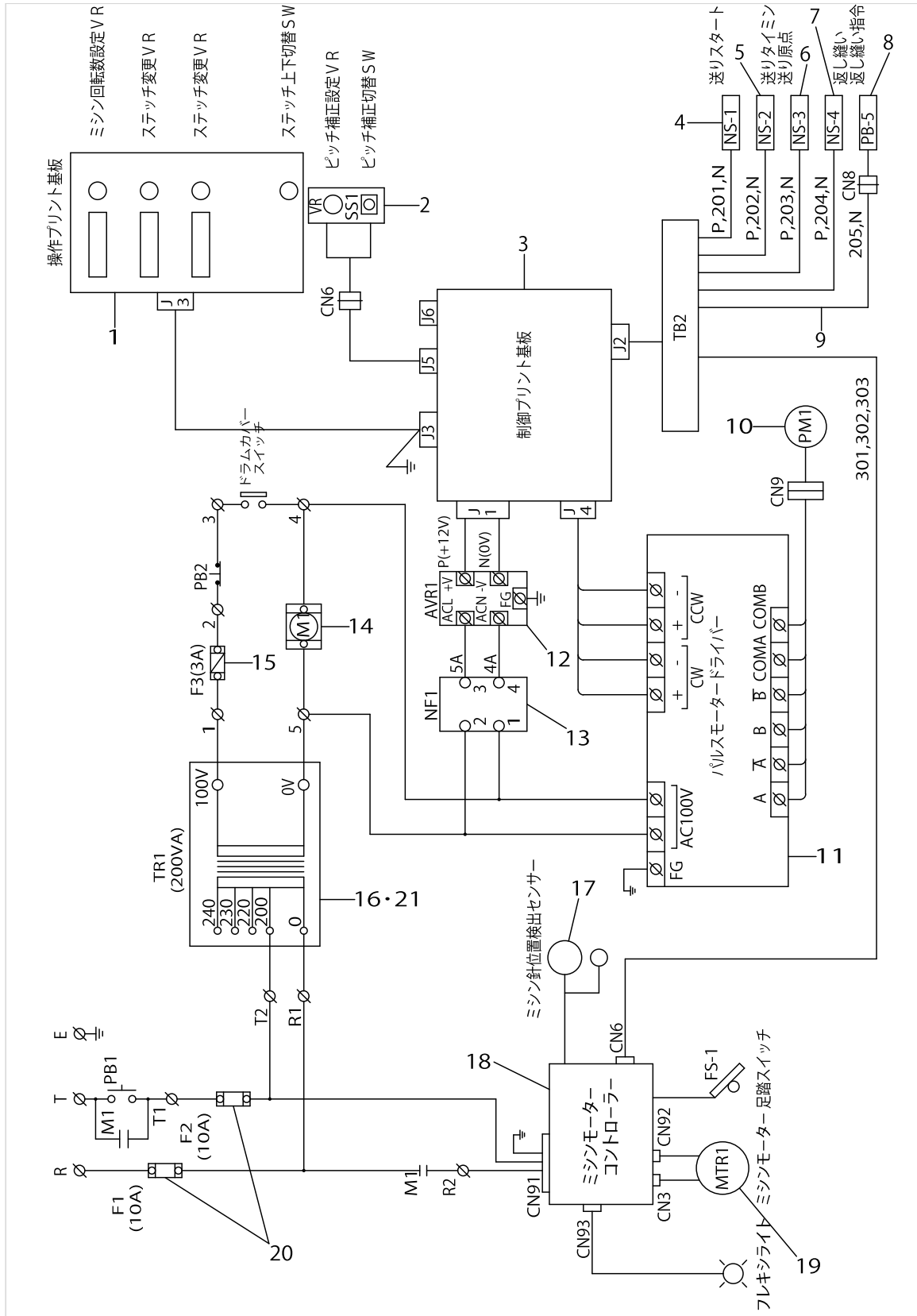


TRANSMISSION COMPONENTS(1)



TRANSMISSION COMPONENTS(1)

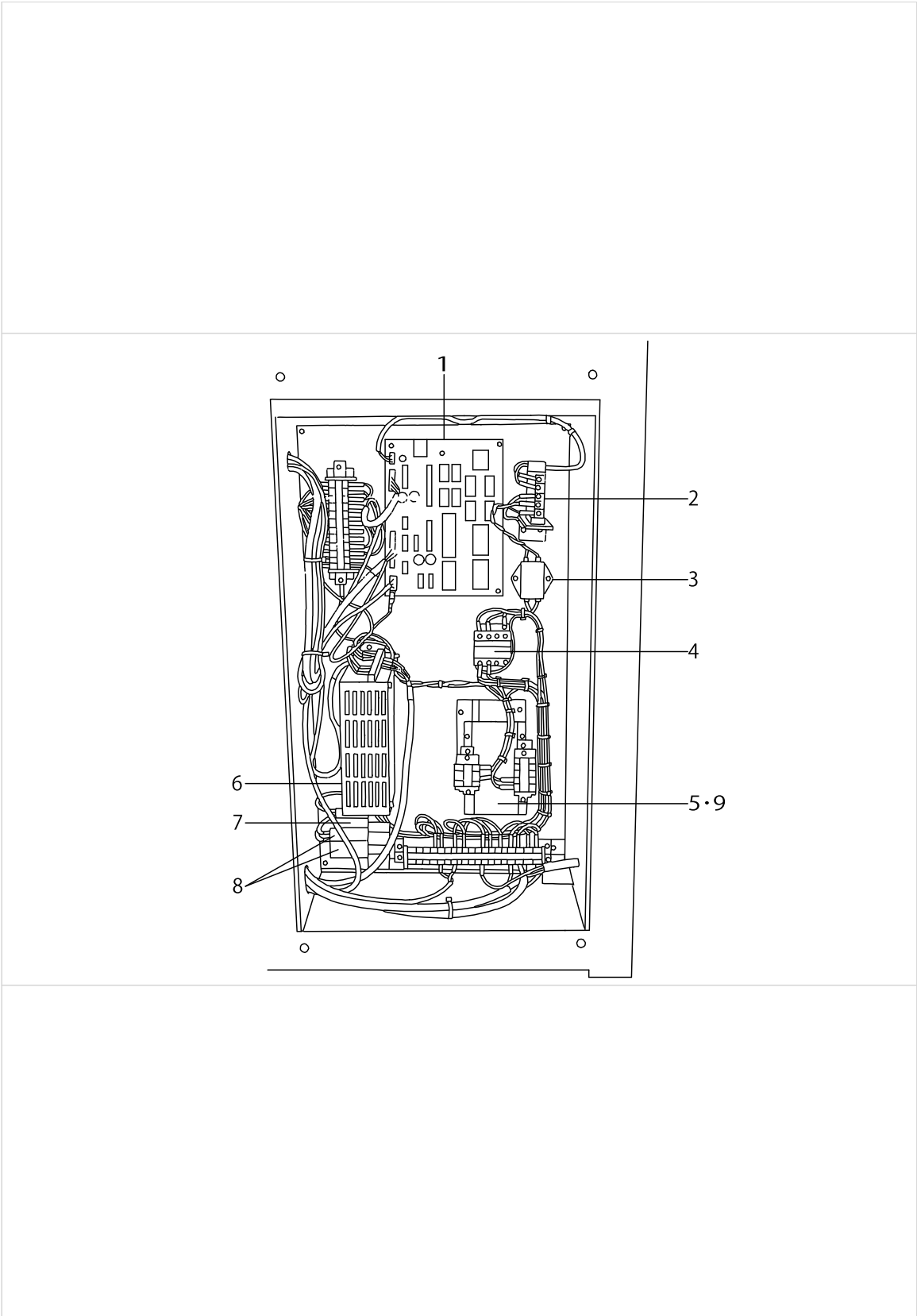
No.	Parts No.	Parts name	Remarks	Level	Cons	Qty
1	25208158	FG CABLE ASM.,3				1
2	25210352	CONTROL BASE POWER SOURCE ASM.				1
3	25208455	INPUT CABLE ASM.				1
4	25208554	TB-2 CABLE ASM.				1
5	16552952	TB-2 PASSAGE CABLE ASM. 2				1
6	25208653	PITCH TRIMMING CABLE ASM.				1
7	16554156	OPERATION CABLE ASM.				1
8	25208257	PULSE OUTPUT CABLE ASM.				1
9	25206558	CABLE ASM.,2				1
10	25207150	CABLE ASM.,8				1
11	25207259	NOISE FILTER ASM.				1
12	25207051	CABLE ASM.,7				1
13	25206954	CABLE ASM.,6				1
14	25206855	CABLE ASM.,5				1
15	25206756	CABLE ASM.,4				1
16	25206459	CABLE ASM.,1				1
17	25206657	CABLE ASM.,3				1
18	25208059	CABLE ASM.,2				1
19	25208356	PULSE MOTOR CABLE ASM.				1
20	25207754	FUSE HOLDER CABLE ASM.,3				1
21	25207556	FUSE HOLDER CABLE ASM.,1				1
22	25207853	FUSE HOLDER CABLE ASM.,4				1
23	25207358	POWER SOURCE ASM.,1				1
24	25207457	POWER SOURCE ASM.,2				1
25	25209651	TRANSFORMER CABLE ASM.,4				1
26	25209552	TRANSFORMER CABLE ASM.,3				1
27	25207655	FUSE HOLDER CABLE ASM.,2				1
28	25209453	TRANSFORMER CABLE ASM.,2				1
29	25209354	TRANSFORMER CABLE ASM.,1				1
30	25207952	FG CABLE ASM.,1				1
31	25211053	CABLE ASM. FOR POWER SUPPLY	FOR 380,400,440V			1
32	25211152	CABLE ASM. FOR TRANSFORMER	FOR 380,400,440V			1



## TRANSMISSION COMPONENTS(2)

No.	Parts No.	Parts name	Remarks	Level	Cons	Qty
1	16554552	PANEL CIRCUIT BOARD ASM.				1
2	25208950	PITCH TRIMMING BOX ASM.				1
3	16554453	CONTROL CIRCUIT BOARD ASM.				1
4	25210451	NS-1 CABLE ASM.				1
5	25210550	NS-2 CABLE ASM.				1
6	25210659	NS-3 CABLE ASM.				1
7	25210758	NS-4 CABLE ASM.				1
8	25209255	PB-5 CABLE ASM.,2				1
9	25209156	PB-5 CABLE ASM.,1				1
10	25208851	PULSE MOTOR ASM.				1
11	25212507	PULSE MOTOR DRIVER				1
12	25212705	SWITCHING POWER SUPPLY				1
13	25207259	NOISE FILTER ASM.				1
14	HA001630000	MAGNETIC CONTACTOR				1
15	HF005111000	FUSE HOLDER				1
16	25212606	TRANSFORMER				1
17	GSY030060A0	SY-3 UNIT A				1
18	GFL010050A0	FLS PSC BOX B ASM.				1
19	M6130351AA0	AC SERVO MOTOR				1
20	HF001501000	FUSE				1
21	25213109	TRANSFORMER	FOR 380,400,440V			1

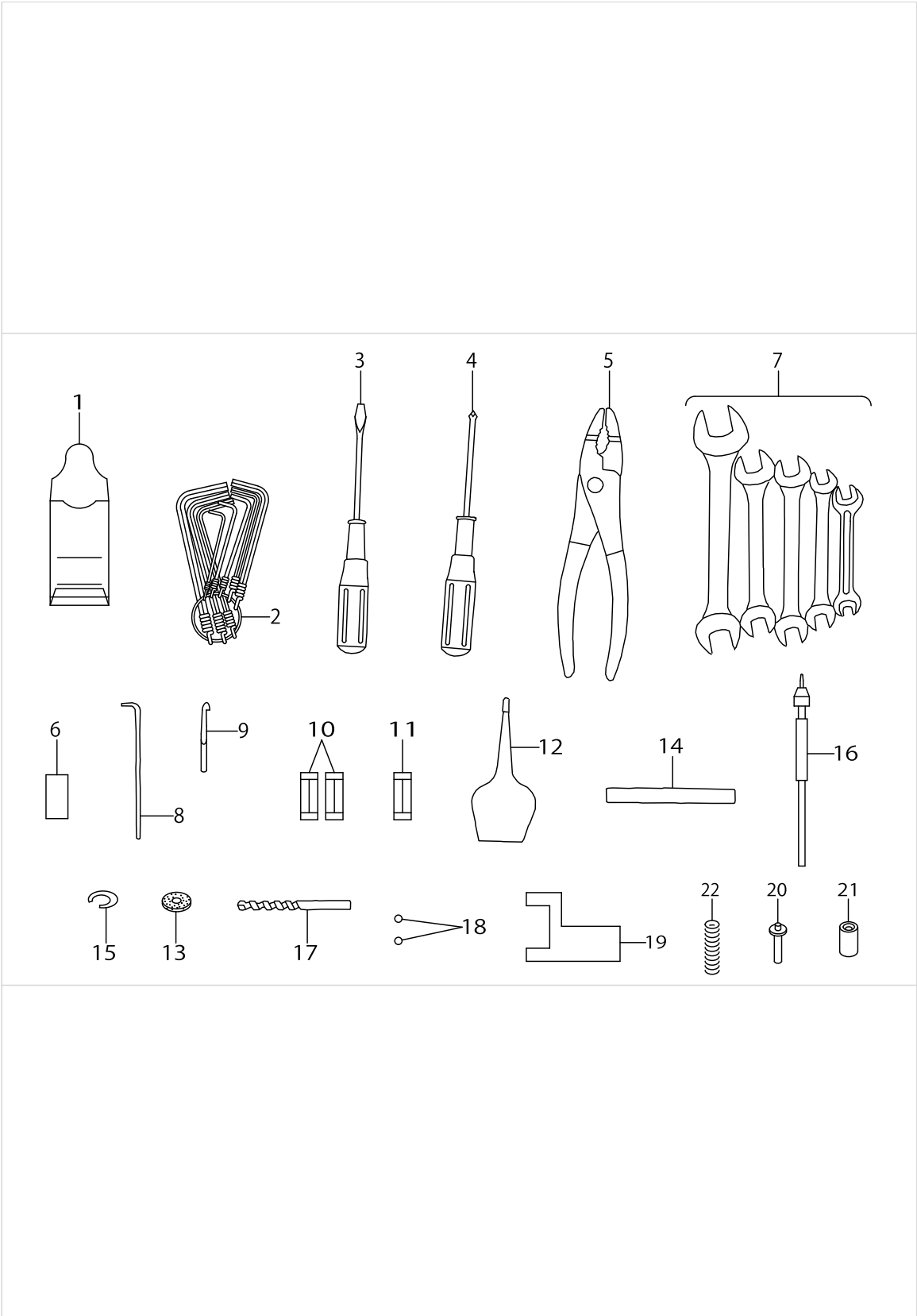
TRANSMISSION COMPONENTS(3)



## TRANSMISSION COMPONENTS(3)

No.	Parts No.	Parts name	Remarks	Level	Cons	Qty
1	16554453	CONTROL CIRCUIT BOARD ASM.				1
2	25212705	SWITCHING POWER SUPPLY				1
3	25207259	NOISE FILTER ASM.				1
4	HA001630000	MAGNETIC CONTACTOR				1
5	25212606	TRANSFORMER				1
6	25212507	PULSE MOTOR DRIVER				1
7	HF005111000	FUSE HOLDER				1
8	HF001501000	FUSE				2
9	25213109	TRANSFORMER	FOR 380,400,440V			1

ACCESSORIES COMPONENTS



ACCESSORIES COMPONENTS

No.	Parts No.	Parts name	Remarks	Level	Cons	Qty
1	MDPN10C0000	NEEDLE DPN-1032B32				1
2	G91011160A0	L-SHAPED WRENCH ASM.				1
3	B9110012000	SCREW DRIVER, MIDDLE				1
4	G9119116000	DRIVER +				1
5	G5701340000	PLIER				1
6	25244807	RUBBER				1
7	G91201160A0	SPANNER ASM.				1
8	B9101490000	DRIVER				1
9	16633406	THREADING NEEDLE				4
10	HF001801000	FUSE 10A				2
11	HF0012030P0	FUSE 3A 125V REF NO.112				1
12	A9102062BA0	OILER WITH OIL				1
13	16661704	RUBBER WASHER				4
14	16681009	PIN				1
15	G5513340000	RING				4
16	G5704340000	THREADING HOLDER				1
17	17779802	DRILL (D=0.3)				1
18	G5542340000	STEEL BALL				2
19	25227406	GAUGE				1
20	25246208	PIN CAP				2
21	25227307	NEEDLE HOLDER PIN				2
22	25248105	STOP SPRING				4



## HOW TO MAKE USE OF THIS PARTS LIST

1.As to "#01" and "#02" refer to the "Note" given at the bottom of the respective pages.

2.Codes on the "Qty" column

- Each numeral indicates the number of parts required.
- "0.1" and "2.5" indicate the length (in meters) of the respective parts.

3.Parentheses mean that the corresponding part is a subpart that constructs an assembly part.

4.Dotted lines on the Figures indicate assembly parts.

1. リストページの# 0 1、# 0 2の印は、ページ下の"注記"の説明を参照下さい。
2. 数量欄の数字は、個数を表し、0. 1、2. 5等の数値は、長さ（単位メートル）を表します。
3. 数量欄の（ ）は、組部品を構成している子部品であることを意味します。
4. イラストページの-----枠は、組構成であることを意味します。

# NUMERICAL INDEX OF PARTS

PART NO	PAGE	REF NO.	PART NO	PAGE	REF NO.	PART NO	PAGE	REF NO.
11024502	42	21	16629800	18	58	16640914	38	22
11155801	2	6	16630204	18	56	16641029	38	14
11156007	2	5	16630303	16	36	16641102	38	15
11158805	14	69	16630709	16	37	16641508	32	35
11158904	14	70	16630808	16	39	16642217	38	8
11159001	14	77	16630907	16	44	16642407	38	1
11521903	6	29	16631004	18	48	16642506	38	4
13764352	8	69	16631111	18	75	16642613	38	6
16552952	56	5	16631202	18	79	16642704	38	7
16554156	56	7	16631301	18	80	16642811	40	1
16554453	58	3	16631400	18	73	16643009	40	3
16554453	60	1	16631509	18	72	16643306	40	24
16554552	6	28	16631608	18	74	16643405	40	19
16554552	58	1	16631707	18	69	16643504	40	4
16590200	6	18	16631814	18	68	16643603	40	15
16590309	6	19	16631939	18	81	16644601	14	81
16624603	12	12	16632010	18	70	16644700	14	55
16624900	12	17	16632119	18	85	16644809	14	54
16625006	12	24	16632200	18	82	16644908	12	47
16625105	12	22	16632309	18	84	16645004	14	52
16625204	12	27	16632408	18	87	16645103	14	50
16625303	12	29	16632606	22	8	16645202	12	35
16625402	12	4	16632903	22	12	16645301	12	41
16625501	12	6	16633000	22	11	16645400	12	43
16625600	18	90	16633109	22	9	16645608	42	4
16625709	16	1	16633307	22	20	16645707	42	1
16625808	16	3	16633406	22	21	16645806	42	6
16626111	12	34	16633406	62	9	16646515	42	16
16626202	34	58	16633802	24	32	16646606	42	28
16626400	34	55	16633901	24	33	16646721	42	19
16627507	16	19	16633901	28	19	16647000	42	29
16627606	16	28	16635005	28	18	16652117	32	15
16627804	16	22	16636706	30	22	16660706	44	1
16627903	16	25	16637308	30	17	16661019	24	34
16628000	42	3	16637704	34	48	16661118	28	27
16628505	42	5	16637803	32	46	16661308	24	5
16628703	44	4	16637902	32	42	16661308	28	44
16628901	42	20	16638108	32	45	16661506	24	7
16629008	24	47	16638207	34	69	16661506	28	42
16629008	28	11	16638306	34	68	16661605	24	6
16629107	34	76	16638405	34	65	16661605	28	43
16629503	10	8	16639106	36	4	16661704	24	4
16629503	22	4	16639403	36	10	16661704	28	45
16629503	32	27	16640500	38	20	16661704	62	13
16629701	18	54	16640807	38	21	16661803	24	3

# NUMERICAL INDEX OF PARTS

PART NO	PAGE	REF NO.	PART NO	PAGE	REF NO.	PART NO	PAGE	REF NO.
16661803	28	46	16710303	54	4	16718702	28	9
16661902	24	20	16710501	36	9	16720005	16	9
16661902	28	23	16710600	32	80	16775850	42	25
16662009	24	18	16710600	34	80	16795007	34	50
16662009	28	24	16710709	14	51	16798100	24	9
16662108	24	21	16710808	40	23	16798100	28	40
16662108	28	25	16710907	34	61	16811606	6	42
16662900	44	16	16711004	34	62	16811705	36	3
16663007	44	15	16711202	24	24	16870206	4	70
16663106	44	17	16711202	28	13	16876906	12	13
16663205	44	18	16711202	36	13	16877417	10	21
16663411	44	32	16711301	16	12	16877508	18	88
16663718	44	33	16711301	34	53	16878001	16	5
16663809	44	35	16711400	32	34	16878308	30	26
16663908	44	2	16711509	48	6	16879504	12	23
16665002	16	14	16711608	16	51	17779802	62	17
16665101	16	10	16711608	18	51	18347708	12	33
16666406	50	78	16711608	32	8	20321204	6	35
16669418	46	78	16711608	48	49	25149907	10	5
16677700	2	28	16711608	50	49	25150004	22	10
16677809	2	22	16711608	54	6	25150103	54	10
16678609	14	86	16712408	52	15	25150509	48	44
16679003	2	17	16712507	30	7	25151705	12	26
16679102	2	2	16712507	36	17	25151903	20	9
16679201	2	8	16713208	16	38	25152109	10	18
16679508	12	1	16713208	30	25	25152109	48	29
16679904	6	6	16713307	50	55	25156407	8	73
16680001	6	3	16713703	48	19	25165002	30	1
16680100	6	1	16714206	32	36	25206459	56	16
16680209	8	61	16714305	34	56	25206558	56	9
16680506	44	8	16714503	16	11	25206657	56	17
16680605	44	7	16715005	12	46	25206756	56	15
16680704	44	6	16715401	12	42	25206855	56	14
16680803	24	2	16715609	4	58	25206954	56	13
16680803	28	35	16715906	2	10	25207051	56	12
16681009	62	14	16716003	2	27	25207150	56	10
16699605	16	20	16716409	6	9	25207259	56	11
16701302	4	72	16716508	4	56	25207259	58	13
16704322	10	16	16717001	18	89	25207259	60	3
16704520	10	13	16717704	2	9	25207358	56	23
16710006	6	33	16717803	2	23	25207457	56	24
16710006	24	46	16718009	2	12	25207556	56	21
16710006	28	10	16718405	22	17	25207655	56	27·31
16710204	34	63	16718702	6	32	25207754	56	20
16710303	16	27	16718702	24	45	25207853	56	22

## NUMERICAL INDEX OF PARTS

PART NO	PAGE	REF NO.	PART NO	PAGE	REF NO.	PART NO	PAGE	REF NO.
25207952	56	30	25215609	54	9	25222209	42	32
25208059	56	18	25215708	36	27	25222407	40	12
25208158	56	1	25215807	36	40	25222506	40	8
25208257	56	8	25216201	36	37	25222605	40	7
25208356	56	19	25216300	50	70	25222704	40	6
25208455	56	3	25216409	36	31	25222803	38	11
25208554	56	4	25216508	16	29	25222902	52	1
25208653	56	6	25216706	8	50	25223009	52	16
25208851	52	31	25217100	18	67	25223108	48	43
25208851	58	10	25217209	18	65	25223405	48	35
25208950	4	67	25217308	18	64	25224007	42	14
25208950	58	2	25217407	18	53	25224106	42	10
25209156	58	9	25217506	16	47	25224205	42	13
25209255	8	67	25217803	12	19	25224304	42	11
25209255	58	8	25217902	22	18	25226200	10	1
25209354	56	29	25218009	22	5	25226309	10	10
25209453	56	28·32	25218108	22	15	25226705	10	11
25209552	56	26	25218306	24	43	25226804	42	33
25209651	56	25	25218306	28	7	25226903	42	35
25209750	4	66	25218405	24	37	25227208	44	14
25210352	56	2	25218405	28	1	25227307	62	21
25210451	34	79	25218504	24	29	25227406	62	19
25210451	58	4	25218603	28	15	25227604	44	34
25210550	34	64	25218702	28	14	25227901	46	66
25210550	58	5	25218801	24	28	25228008	46	67
25210659	50	85	25219007	24	27	25228115	16	16
25210659	58	6	25219007	28	20	25228305	44	42
25210758	50	86	25219106	24	23	25228503	44	40
25210758	58	7	25219106	28	12	25229907	44	43
25211053	56	27·31	25219205	22	1	25230301	32	16
25211152	56	28·32	25219304	30	10	25230400	50	50
25212507	58	11	25219510	34	51	25230509	48	1
25212507	60	6	25219700	30	24	25230608	48	16
25212606	58	16·21	25220005	30	19	25230806	48	11
25212606	60	5·9	25220104	32	37	25230905	50	48
25212705	58	12	25220609	30	23	25231002	48	5
25212705	60	2	25221003	36	14	25231101	48	10
25212804	4	51	25221102	36	1	25231200	48	21
25213109	58	16·21	25221201	36	16	25231309	48	17
25213109	60	5·9	25221409	32	19	25231408	48	27
25214305	6	24	25221508	32	22	25231507	48	30
25215005	6	36	25221607	32	29	25231606	50	67
25215401	10	6	25221706	38	18	25231705	48	41
25215500	12	8	25221805	38	19	25231804	50	58
25215609	48	40	25221904	38	16	25231903	50	83

# NUMERICAL INDEX OF PARTS

PART NO	PAGE	REF NO.	PART NO	PAGE	REF NO.	PART NO	PAGE	REF NO.
25232000	50	63	25238908	14	71	25245903	44	47
25232109	50	80	25239609	36	34	25246000	46	49
25232208	50	73	25239708	46	83	25246109	46	48
25232315	50	81	25239807	30	27	25246208	62	20
25232406	50	65	25240003	30	39	25246307	44	21
25232505	48	28	25240102	30	36	25246406	44	9
25232604	54	16	25240508	32	14	25246505	44	12
25232703	54	12	25241803	44	41	25246604	46	62
25232802	54	18	25241902	30	30	25246703	46	64
25232901	54	17	25242009	36	6	25246802	46	65
25233016	54	5	25242108	36	8	25246901	46	58
25233115	48	4	25242207	52	21	25247008	46	57
25233206	54	7	25242306	52	2	25247206	46	70
25233305	54	11	25242405	52	19	25247305	46	73
25234006	24	36	25242504	42	31	25247404	46	76
25234006	28	29	25242603	16	4	25247503	54	1
25234105	24	15	25242702	16	33	25247651	36	23
25234105	28	34	25242801	16	7	25247859	36	22
25234253	8	51	25242900	46	80	25248105	62	22
25234303	8	52	25243007	46	81	25248204	6	45
25234402	52	25	25243106	4	61	25249855	34	72
25234501	52	4	25243205	2	36	25250309	30	11
25234600	10	12	25243403	6	37	25250408	34	75
25234709	6	46	25243502	2	41	25250507	34	81
25235102	30	31	25243601	24	14	25251406	30	37
25235201	2	46	25243601	28	31	25251505	34	73
25235409	2	1	25243668	24	1	25251802	8	56
25235508	2	35	25243668	28	30	25251802	10	17
25236100	2	15	25243908	16	23	25251901	36	21
25236209	2	13	25244005	38	23	25252008	24	42
25236407	2	39	25244104	32	10	25252008	28	6
25236506	6	5	25244203	32	11	25252107	36	33
25236605	6	13	25244302	32	9	25252206	36	35
25236704	6	23	25244500	32	12	25252305	2	26
25236902	8	55	25244609	32	7	25252404	54	15
25237009	6	31	25244708	32	1	25252602	48	26
25237108	8	58	25244807	38	25	25252800	50	77
25237900	10	2	25244807	62	6	25252909	32	20
25238007	46	79	25244906	32	38	25252909	50	59
25238106	46	82	25245309	44	30	25253006	48	8
25238304	4	54	25245408	44	24	25253204	16	8
25238502	20	1	25245507	44	44	25253303	16	17
25238601	20	5	25245606	44	25	25253402	44	61
25238700	20	3	25245705	46	51	25253402	46	61
25238809	20	2	25245804	46	55	25253501	42	34

NUMERICAL INDEX OF PARTS

PART NO	PAGE	REF NO.	PART NO	PAGE	REF NO.	PART NO	PAGE	REF NO.
25253600	42	30	G5514340000	28	41	NM6050001SC	16	41
25253600	52	23	G5528340000A	32	13	NM6050001SC	22	19
25253709	48	34	G5542340000	24	17	NM6050001SC	30	20
25253808	32	24	G5542340000	28	33	NM6050001SC	32	4
25253907	32	21	G5542340000	62	18	NM6050001SC	42	18
25254004	14	60	G5701340000	62	5	NM6050001SC	48	46
25254202	18	66	G5704340000	62	16	NM6050001SC	52	24
25254301	24	39	G91011160A0	62	2	NM6050003SC	34	84
25254301	28	2	G9119116000	62	4	NM6050003SC	42	27
25254509	32	3	G91201160A0	62	7	NM6050003SC	48	24
25254608	16	32	GFL010050A0	14	62	NM6050550SD	48	22
25254707	36	24	GFL010050A0	58	18	NM6060001SC	2	21
25254905	36	26	GSY030000A0	12	28	NM6060001SC	16	31
A9102062BA0	62	12	GSY030060A0	58	17	NM6060001SC	32	25
B1109481000	10	19	HA000370010	2	42	NM6060003SC	10	7
B1144210000	14	59	HA001630000	58	14	NM6060003SC	42	8
B1210761000	12	11	HA001630000	60	4	NM6060003SC	50	76
B3419122000	42	24	HA002240000	2	43	NM6080001SC	14	65
B9101490000	62	8	HA002510010	6	25	NM6080001SC	18	91
B9110012000	62	3	HF0012030P0	62	11	NM6080001SC	24	40
BT0600400EC	20	4	HF001501000	58	20	NM6080001SC	28	4
BT0600400EC	22	16	HF001501000	60	8	NM6080001SC	36	28
CM300100102	4	69	HF001801000	62	10	NM6080003SC	12	38
CM3002000A1	14	88	HF005111000	58	15	NM6120001SC	6	40
CM3002000B2	4	71	HF005111000	60	7	NM6201202SC	4	57
CM300200202	30	5	HX001650000	6	26	NM6860001SC	8	75
CM300200301	4	68	M6130351AA0	14	72	NM7030510SA	18	62
CM300600102	4	73	M6130351AA0	58	19	NS6120310SP	16	26
CM300600102	8	68	MDPN10C0000	24	19	RC0150001KP	24	44
CM500300001	14	87	MDPN10C0000	62	1	RC0150001KP	28	8
D8113555B00	14	76	MTSP01100B0	14	61	RC0150001KP	36	42
D8115555B00	14	78	NM6030001SC	10	9	RC0220001KP	54	3
G5181340000	48	23	NM6030001SC	18	71	RC0470611KP	46	77
G5503340000	24	16	NM6030001SC	22	14	RC0931011KP	48	47
G5503340000	28	32	NM6030003SC	6	43	RC1200001KP	12	84
G5506340000	24	13	NM6040001SC	8	72	RC1200001KP	14	84
G5506340000	28	36	NM6040001SC	16	42	RC1200001KP	36	25
G5507340000	24	12	NM6040001SC	30	12	RC1200001KP	48	38
G5507340000	28	37	NM6040001SC	38	5	RC2600002KP	52	13
G5512340000	24	11	NM6040001SD	18	78	RC3200002KP	24	26
G5512340000	28	39	NM6040003SC	4	50	RC3200002KP	28	22
G5513340000	24	10	NM6040003SC	20	6	RC3700002KP	14	53
G5513340000	28	38	NM6040003SC	44	71	SB105000300	40	5
G5513340000	62	15	NM6040003SC	46	71	SB110000400	48	39
G5514340000	24	8	NM6050001SC	4	65	SB110000400	52	14

# NUMERICAL INDEX OF PARTS

PART NO	PAGE	REF NO.	PART NO	PAGE	REF NO.	PART NO	PAGE	REF NO.
SB11000400	54	8	SM6041802TP	48	32	SM6062502TP	28	16
SB112000200	12	5	SM6042002TP	14	83	SM6062502TP	32	30
SB112000200	50	79	SM6042002TP	34	74	SM6062502TP	50	74
SB115000400	24	25	SM6051002TP	4	52	SM6063002TP	24	38
SB115000400	28	21	SM6051002TP	40	2	SM6063002TP	28	3
SB115000400	36	41	SM6051002TP	42	26	SM6063002TP	36	18
SB120000200	12	14	SM6051002TP	52	3	SM6063002TP	42	12
SK3382001SC	2	7	SM6051202TP	2	31	SM6081552TP	14	79
SL4851091SC	8	74	SM6051202TP	12	45	SM6082002TN	38	17
SM0040601SC	36	5	SM6051202TP	30	2	SM6082502TP	12	9
SM0040801SC	6	27	SM6051202TP	40	16	SM6082502TP	22	2
SM0041001SC	6	17	SM6051202TP	46	63	SM6082502TP	30	6
SM0041001SC	30	38	SM6051202TP	48	45	SM6083002TP	12	63
SM0041201SA	8	70	SM6051202TP	52	22	SM6083002TP	14	63
SM0050801SC	2	55	SM6051552TP	2	32	SM6083002TP	30	32
SM0050801SC	4	55	SM6051552TP	34	77	SM6083002TP	36	11
SM1040601SP	12	25	SM6051552TP	48	13	SM6085002TP	14	67
SM1040852TP	2	11	SM6051552TP	54	19	SM6086002TP	16	18
SM4040601SC	6	34	SM6051802TP	34	59	SM6102512TP	2	29
SM4043501SE	2	44	SM6051802TP	36	38	SM6104002TP	52	29
SM6030602TP	32	17	SM6051802TP	42	15	SM6104502TP	6	39
SM6030802TP	30	18	SM6052002TP	12	31	SM6123002TP	8	64
SM6031002TP	22	13	SM6052002TP	24	35	SM8030302TP	18	83
SM6031002TP	30	28	SM6052002TP	28	28	SM8030502TP	30	29
SM6032002TP	46	52	SM6052002TP	42	36	SM8030502TP	40	26
SM6040502TP	18	76	SM6052502TP	12	2	SM8031002TP	6	44
SM6040602TP	38	3	SM6052502TP	18	49	SM8031002TP	10	15
SM6040802TP	6	47	SM6052502TP	50	56	SM8040502TP	16	57
SM6040802TP	34	70	SM6061002TP	4	62	SM8040502TP	18	57
SM6040802TP	52	26	SM6061002TP	8	59	SM8040502TP	36	7
SM6041002TP	2	47	SM6061202TP	4	59	SM8040502TP	38	24
SM6041002TP	6	38	SM6061202TP	48	9	SM8040502TP	40	25
SM6041002TP	18	61	SM6061552TP	12	73	SM8040502TP	48	7
SM6041002TP	40	9	SM6061552TP	14	73	SM8040502TP	54	14
SM6041002TP	44	74	SM6061802TP	42	2	SM8040602TP	44	60
SM6041002TP	46	74	SM6062002TP	6	20	SM8040602TP	46	60
SM6041002TP	48	68	SM6062002TP	12	36	SM8040802TP	32	82
SM6041002TP	50	68	SM6062002TP	16	30	SM8040802TP	34	82
SM6041202TP	8	62	SM6062002TP	32	2	SM8040802TP	38	10
SM6041202TP	12	30	SM6062002TP	40	20	SM8040802TP	40	13
SM6041202TP	44	3	SM6062002TP	42	17	SM8050502TP	16	15
SM6041502TP	16	45	SM6062002TP	50	52	SM8050602TP	16	13
SM6041502TP	22	7	SM6062002TP	52	17	SM8050602TP	34	54
SM6041502TP	44	50	SM6062502TP	14	57	SM8050602TP	38	26
SM6041502TP	46	50	SM6062502TP	24	30	SM8050602TP	48	84

NUMERICAL INDEX OF PARTS

PART NO	PAGE	REF NO.	PART NO	PAGE	REF NO.	PART NO	PAGE	REF NO.
SM8050602TP	50	84	WP0430801SC	20	8	WS0510002KN	2	53
SM8050602TP	52	20	WP0430801SC	30	34	WS0510002KN	4	53
SM8050802TP	36	32	WP0430801SC	40	11	WS0510002KN	6	15
SM8050812TP	16	2	WP0430801SC	52	28	WS0510002KN	12	44
SM8050812TP	36	2	WP0430801SE	18	77	WS0510002KN	16	40
SM8051002TP	50	66	WP0531001SC	2	34	WS0510002KN	30	21
SM8060552TP	24	31	WP0531001SC	6	16	WS0510002KN	32	83
SM8060552TP	28	17	WP0531001SC	30	15	WS0510002KN	34	83
SM8060602TP	32	33	WP0531001SC	32	6	WS0510002KN	36	39
SM8060802TP	12	56	WP0531001SC	38	13	WS0510002KN	40	17
SM8060802TP	14	56	WP0531001SC	40	18	WS0510002KN	42	37
SM9040803SD	6	10	WP0531001SC	42	38	WS0510002KN	48	25
SM9051603SD	6	14	WP0531001SC	48	15	WS0610002KN	4	63
SM9051603SD	32	43	WP0621016SH	26	48	WS0610002KN	6	60
SS2090510SP	10	3	WP0621016SH	28	47	WS0610002KN	8	60
SS3090810SL	14	82	WP0641601SC	4	64	WS0610002KN	12	74
SS4090615SP	6	2	WP0641601SC	6	22	WS0610002KN	14	74
SS6060220SP	10	20	WP0641601SC	14	85	WS0610002KN	32	31
SS6060440TP	42	39	WP0641601SC	32	32	WS0610002KN	36	19
SS6080810SP	44	36	WP0641601SC	40	22	WS0610002KN	40	21
SS6081210SP	18	86	WP0641601SC	52	12	WS0610002KN	42	9
SS6081210SP	46	68	WP0841601SC	12	68	WS0610002KN	50	75
SS6090810SP	24	22	WP0841601SC	14	68	WS0610002KN	52	18
SS6090810SP	28	26	WP0841601SC	30	16	WS0820002KN	12	80
SS6090810SP	44	13	WP0841601SC	36	30	WS0820002KN	14	80
SS6090810SP	48	18	WP1302500SC	8	65	WS0820002KN	22	3
SS6121010SP	38	2	WS0310002KN	18	63	WS0820002KN	24	41
SS6121210SP	10	4	WS0310002KN	32	18	WS0820002KN	28	5
SS6121210SP	16	24	WS0310002KN	46	54	WS0820002KN	30	33
SS7111120SP	46	69	WS0410002KN	2	48	WS0820002KN	36	29
SS7111410SP	38	12	WS0410002KN	4	48	WS1020002KN	2	30
SS7120410TP	6	7	WS0410002KN	6	63	WS1020002KN	52	30
SS8110510SP	44	5	WS0410002KN	8	63	WS1220002KN	6	66
SS8660612TP	18	55	WS0410002KN	12	32	WS1220002KN	8	66
SS8660612TP	32	47	WS0410002KN	16	60			
SS9111010SP	42	7	WS0410002KN	18	60			
SS9182010SN	42	23	WS0410002KN	20	7			
ST4041621SN	2	3	WS0410002KN	22	6			
TA1250804R0	8	57	WS0410002KN	34	71			
WP0280500SD	6	30	WS0410002KN	40	10			
WP0320500SC	2	4	WS0410002KN	44	75			
WP0430801SC	4	49	WS0410002KN	46	75			
WP0430801SC	6	71	WS0410002KN	48	69			
WP0430801SC	8	71	WS0410002KN	50	69			
WP0430801SC	18	59	WS0410002KN	52	27			