

MODEL : T045/T046

List No : 1117-02

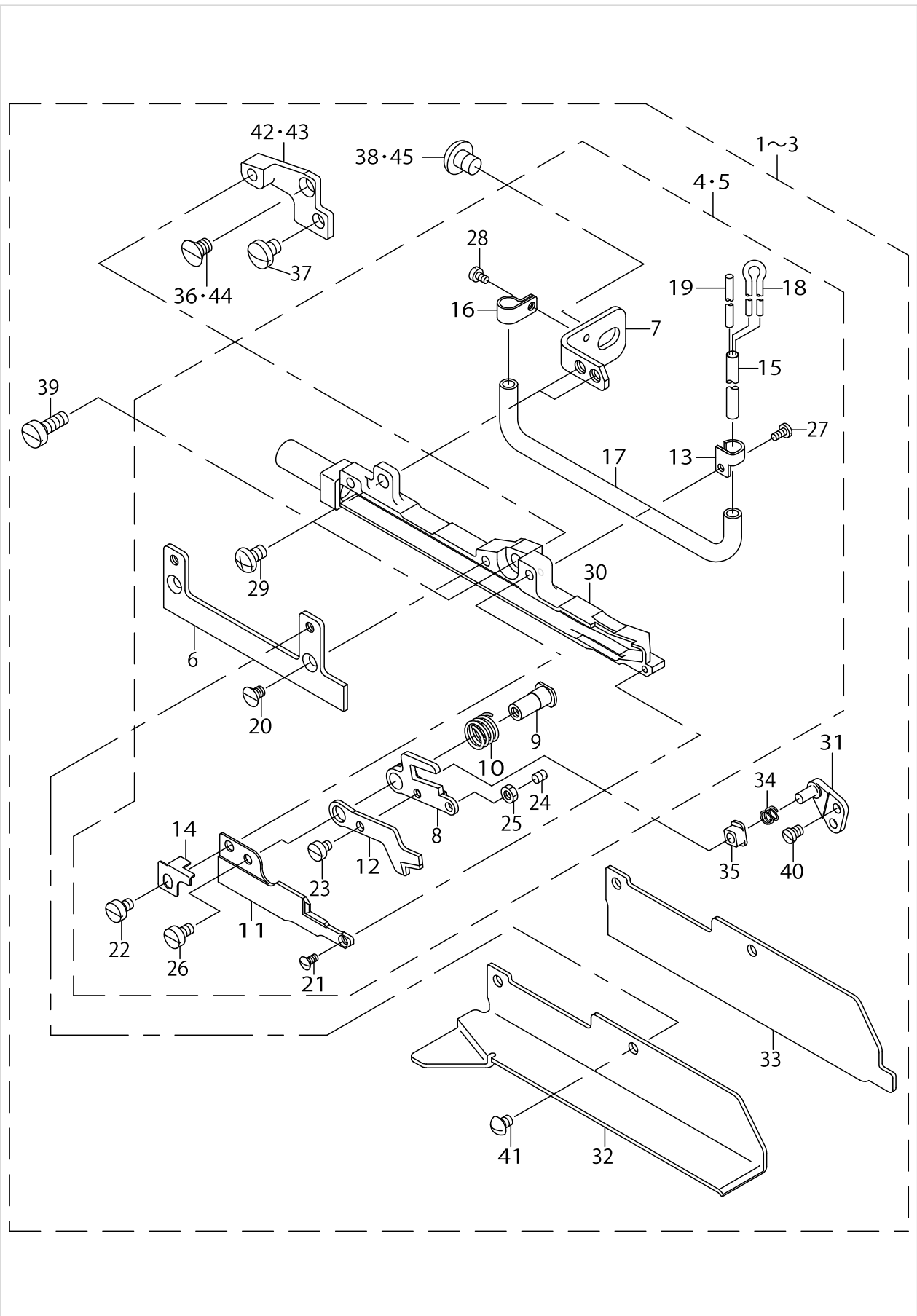
PARTS LIST

Published:09/10/2017

CONTENTS

PNEUMATIC SIDE CUTTER (T045, T046).....	1
HOW TO MAKE USE OF THIS PARTS LIST	3

PNEUMATIC SIDE CUTTER (T045, T046)



PNEUMATIC SIDE CUTTER (T045, T046)

No.	Parts No.	Parts name	Remarks	Level	Cons	Qty
1	MAT045000A0	PNEUMATIC SIDE CUTTER ASM.	FOR T045(MOR-3900,MO-6900R)			1
2	MAT046000A0	PNEUMATIC SIDE CUTTER ASM.	FOR T046			1
3	MAT045000AA	PNEUMATIC SIDE CUTTER ASM.	FOR T045(MO-3300)			1
4	MAT045010B0	KNIFE BASE MAS. ASM.		*		1
5	MAT046010A0	KNIFE BASE MAS. ASM.	FOR T046	*		1
6	MAT04502000	KNIFE REST LID		*		1
7	MAT04504000	KNIFE REST PLATE		*		1
8	MAT04506000	DRIVING LEVER		*		1
9	MAT04507000	WORK KNIFE SHAFT		*		1
10	MAT04508000	SPRING		*		1
11	MAT04509000	COUNTER KNIFE		*		1
12	MAT04510000	MOVING KNIFE		*		1
13	MAT04511000	OIL SUPPLY PIPE BRACKET		*		1
14	MAT04512000	OIL SUPPLY HOLDER		*		1
15	MAT04513000	KNIFE OIL SUPPLY TUBE		*		1
16	MAT03610000	OIL SUPPLY PIPE BRACKET		*		1
17	BP400000000	VINYL TUBE, WHITE D=4		*		0.13
18	CQ200000000	OIL WICK		*		0.11
19	CQ2500000F0	OIL WICK		*		0.06
20	SS1090510SP	SCREW 9/64-40 L=5		*		2
21	SS2060510SP	SCREW 3/32-56 L=4.5		*		1
22	SS6090520SP	SCREW 9/64-40 L= 5.0		*		1
23	SS6080410SP	SCREW 1/8-44 L=4		*		1
24	SS8080410TP	SCREW 1/8-44 L=3.5		*		1
25	NS6080210SP	NUT 1/8-44		*		1
26	SS6090620TP	SCREW		*		1
27	SS7060510SP	SCREW 3/32-56 L=4.8		*		1
28	SS6060410TP	SCREW 3/32-56 L= 3.5		*		1
29	SS4110715SP	SCREW 11/64-40 L=7		*		1
30	MAT045010A0	KNIFE BASE CONNECTION		*		1
31	MAT04505000	DRIVE PIN		*		1
32	MAT04514000	SIDE COVER	FOR T045	*		1
33	MAT04602000	CROSSWISE COVER	FOR T046	*		1
34	MAT02106000	SPRING		*		1
35	MAT02503000	SLIDE BLOCK		*		1
36	SS1120710SP	SCREW 3/16-28 L=6.5		*		1
37	SS7120640SP	SCREW 3/16-28 L=6	FOR T045(MOR-3900,MO-6900R) ,T046	*		1
38	SS4150715SP	SCREW 15/64-28 L=7		*		1
39	SS6111210SP	SCREW 11/64-40 L=12		*		1
40	SS6080410SP	SCREW 1/8-44 L=4		*		2
41	SS3090510SL	SCREW 9/64-40 L=5		*		2
42	MAT04515000	KNIFE REST BRACKET	FOR T045(MO-3300)	*		1
43	MAT04503000	KNIFE BASE INSTALL BASE	FOR T045(MOR-3900,MO-6900R) ,T046	*		1
44	SM1040800SP	SCREW	FOR T045(MO-3300)	*		1
45	SM6060800SP	SCREW M6 L=8	FOR T045(MO-3300)	*		1

HOW TO MAKE USE OF THIS PARTS LIST

1.As to "#01" and "#02" refer to the "Note" given at the bottom of the respective pages.

2.Codes on the "Qty" column

- Each numeral indicates the number of parts required.
- "0.1" and "2.5" indicate the length (in meters) of the respective parts.

3.Parentheses mean that the corresponding part is a subpart that constructs an assembly part.

4.Dotted lines on the Figures indicate assembly parts.

1. リストページの# 0 1、# 0 2の印は、ページ下の"注記"の説明を参照下さい。
2. 数量欄の数字は、個数を表し、0. 1、2. 5等の数値は、長さ（単位メートル）を表します。
3. 数量欄の（ ）は、組部品を構成している子部品であることを意味します。
4. イラストページの-----枠は、組構成であることを意味します。

NUMERICAL INDEX OF PARTS

PART NO	PAGE	REF NO.
BP400000000	2	17
CQ200000000	2	18
CQ2500000F0	2	19
MAT02106000	2	34
MAT02503000	2	35
MAT03610000	2	16
MAT045000A0	2	1~3
MAT045000AA	2	1~3
MAT045010A0	2	30
MAT045010B0	2	4·5
MAT04502000	2	6
MAT04503000	2	42·43
MAT04504000	2	7
MAT04505000	2	31
MAT04506000	2	8
MAT04507000	2	9
MAT04508000	2	10
MAT04509000	2	11
MAT04510000	2	12
MAT04511000	2	13
MAT04512000	2	14
MAT04513000	2	15
MAT04514000	2	32
MAT04515000	2	42·43
MAT046000A0	2	1~3
MAT046010A0	2	4·5
MAT04602000	2	33
NS6080210SP	2	25
SM1040800SP	2	36·44
SM6060800SP	2	38·45
SS1090510SP	2	20
SS1120710SP	2	36·44
SS2060510SP	2	21
SS3090510SL	2	41
SS4110715SP	2	29
SS4150715SP	2	38·45
SS6060410TP	2	28
SS6080410SP	2	40
SS6090520SP	2	22
SS6090620TP	2	26
SS6111210SP	2	39
SS7060510SP	2	27
SS7120640SP	2	37
SS8080410TP	2	24