

MODEL : MOF-3900 SUBCLASSES/MOF-3914

List No : 1115-00

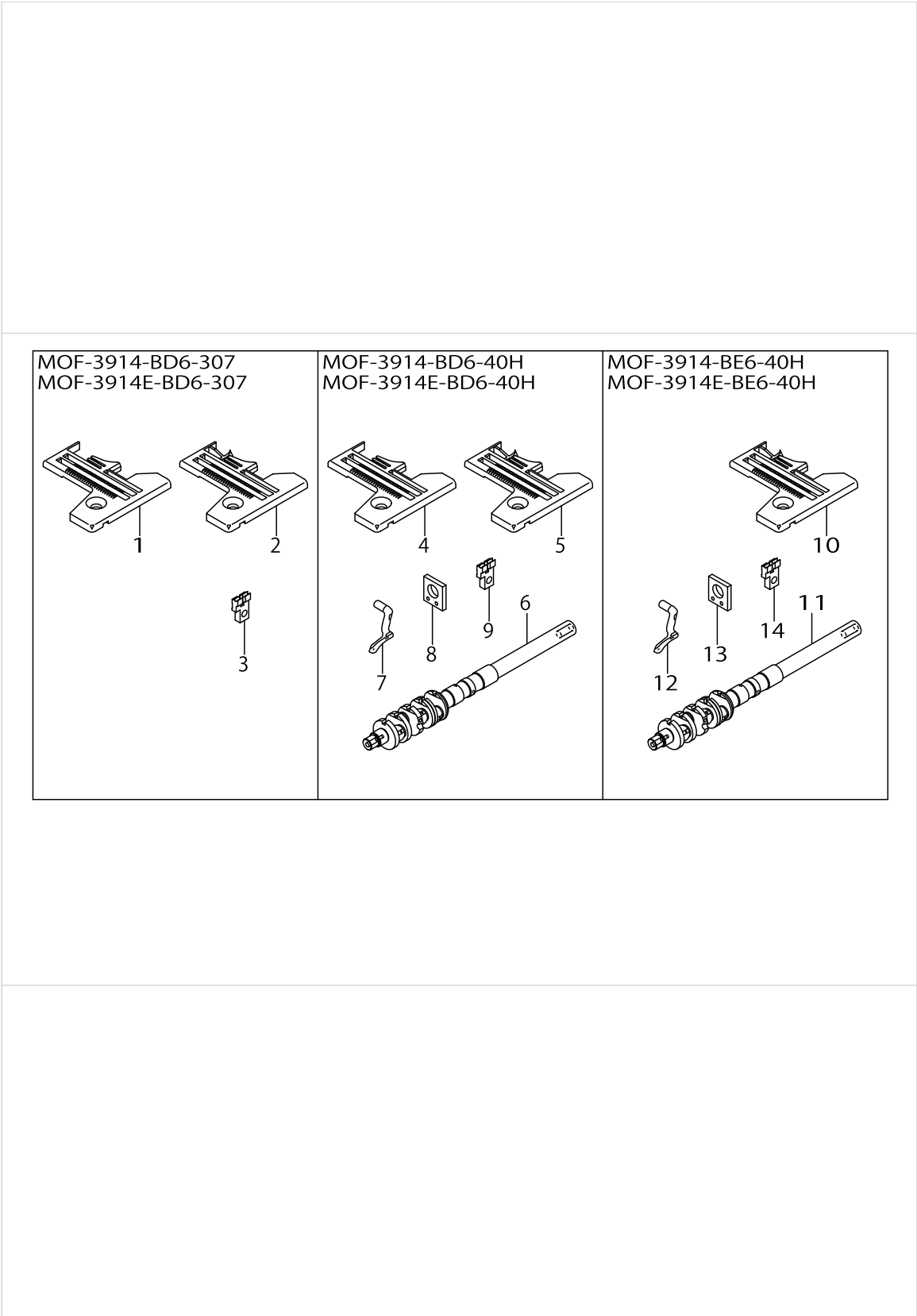
PARTS LIST

Published:09/10/2017

CONTENTS

MOF-3900 SUBCLASSES (1)	1
MOF-3900 SUBCLASSES (2)	3
HOW TO MAKE USE OF THIS PARTS LIST	5

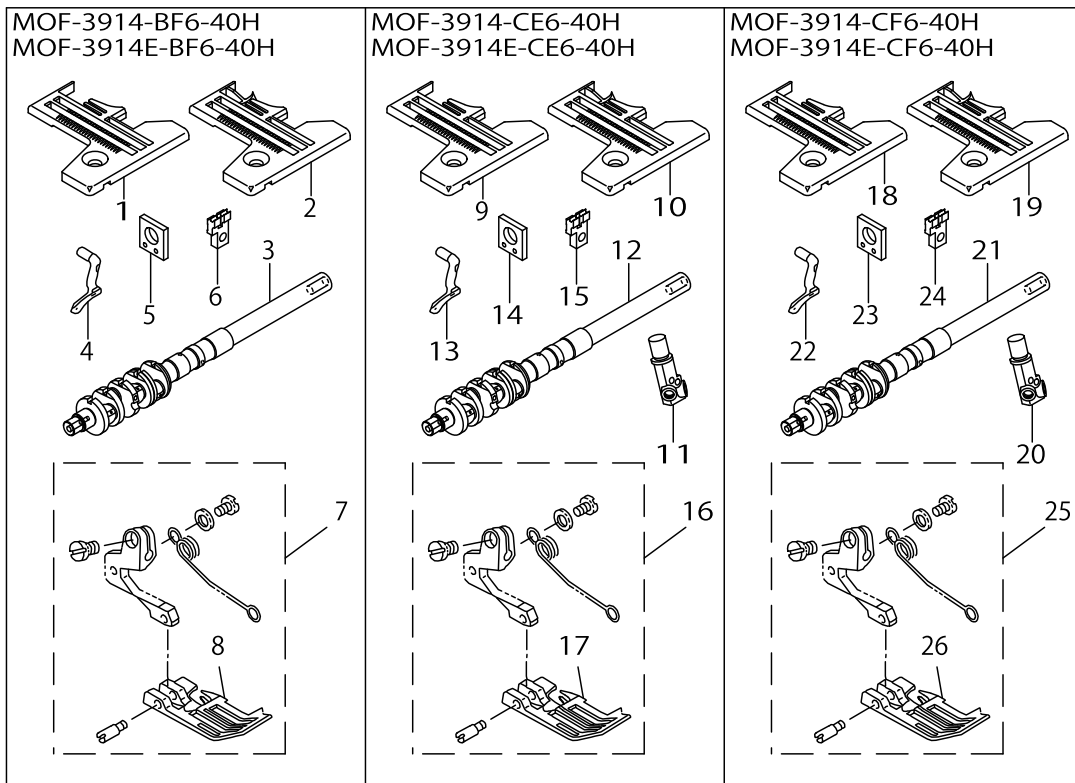
MOF-3900 SUBCLASSES (1)



MOF-3900 SUBCLASSES (1)

No.	Parts No.	Parts name	Remarks	Level	Cons	Qty
1	R4305K0DE00	THROAT PLATE				1
2	R4305K0DE0A	THROAT PLATE	P04/Q01 EXCHANGING PARTS			1
3	12238200	AUXILIARY FEED DOG	P04/Q01 EXCHANGING PARTS			1
4	R4305K0DE00	THROAT PLATE				1
5	R4305K0DE0A	THROAT PLATE	P04/Q01 EXCHANGING PARTS			1
6	12292108	MAIN SHAFT				1
7	12247102	UPPER LOOPER				1
8	11893609	GAUGE				1
9	12238200	AUXILIARY FEED DOG	P04/Q01 EXCHANGING PARTS			1
10	R4305K0EE0A	THROAT PLATE	P05/Q01 EXCHANGING PARTS			1
11	12292108	MAIN SHAFT				1
12	12247102	UPPER LOOPER				1
13	11893609	GAUGE				1
14	12238200	AUXILIARY FEED DOG	P05/Q01 EXCHANGING PARTS			1

MOF-3900 SUBCLASSES (2)



MOF-3900 SUBCLASSES (2)

No.	Parts No.	Parts name	Remarks	Level	Cons	Qty
1	R4305K0FE00	THROAT PLATE				1
2	R4305K0FE0A	THROAT PLATE	P06/Q01 EXCHANGING PARTS			1
3	12292108	MAIN SHAFT				1
4	12247102	UPPER LOOPER				1
5	11893609	GAUGE				1
6	12238200	AUXILIARY FEED DOG	P06/Q01 EXCHANGING PARTS			1
7	11932654	PRESSER FOOT ASM.				1
8	11926508	PRESSER FOOT		*		1
9	R4306K0EE00	THROAT PLATE				1
10	R4306K0EE0A	THROAT PLATE	P07/Q01 EXCHANGING PARTS			1
11	12149209	NEEDLE CLAMP, 2-NEEDLE				1
12	12292108	MAIN SHAFT				1
13	12247102	UPPER LOOPER				1
14	11893609	GAUGE				1
15	12238200	AUXILIARY FEED DOG	P07/Q01 EXCHANGING PARTS			1
16	11942653	PRESSER FOOT ASM.				1
17	11942604	PRESSER FOOT		*		1
18	R4306K0FE00	THROAT PLATE				1
19	R4306K0FE0A	THROAT PLATE	P08/Q01 EXCHANGING PARTS			1
20	12149209	NEEDLE CLAMP, 2-NEEDLE				1
21	12292108	MAIN SHAFT				1
22	12247102	UPPER LOOPER				1
23	11893609	GAUGE				1
24	12238200	AUXILIARY FEED DOG	P08/Q01 EXCHANGING PARTS			1
25	11942653	PRESSER FOOT ASM.				1
26	11942604	PRESSER FOOT		*		1

HOW TO MAKE USE OF THIS PARTS LIST

1.As to "#01" and "#02" refer to the "Note" given at the bottom of the respective pages.

2.Codes on the "Qty" column

- Each numeral indicates the number of parts required.
- "0.1" and "2.5" indicate the length (in meters) of the respective parts.

3.Parentheses mean that the corresponding part is a subpart that constructs an assembly part.

4.Dotted lines on the Figures indicate assembly parts.

1. リストページの# 0 1、# 0 2の印は、ページ下の"注記"の説明を参照下さい。
2. 数量欄の数字は、個数を表し、0. 1、2. 5等の数値は、長さ（単位メートル）を表します。
3. 数量欄の（ ）は、組部品を構成している子部品であることを意味します。
4. イラストページの-----枠は、組構成であることを意味します。

NUMERICAL INDEX OF PARTS

PART NO	PAGE	REF NO.
11893609	2	13
11893609	4	23
11926508	4	8
11932654	4	7
11942604	4	26
11942653	4	25
12149209	4	20
12238200	2	14
12238200	4	24
12247102	2	12
12247102	4	22
12292108	2	11
12292108	4	21
R4305K0DE00	2	4
R4305K0DE0A	2	5
R4305K0EE0A	2	10
R4305K0FE00	4	1
R4305K0FE0A	4	2
R4306K0EE00	4	9
R4306K0EE0A	4	10
R4306K0FE00	4	18
R4306K0FE0A	4	19