

MODEL : MOF-3900 SUBCLASSES/MOF-3904/MOF-3905

List No : 1114-00

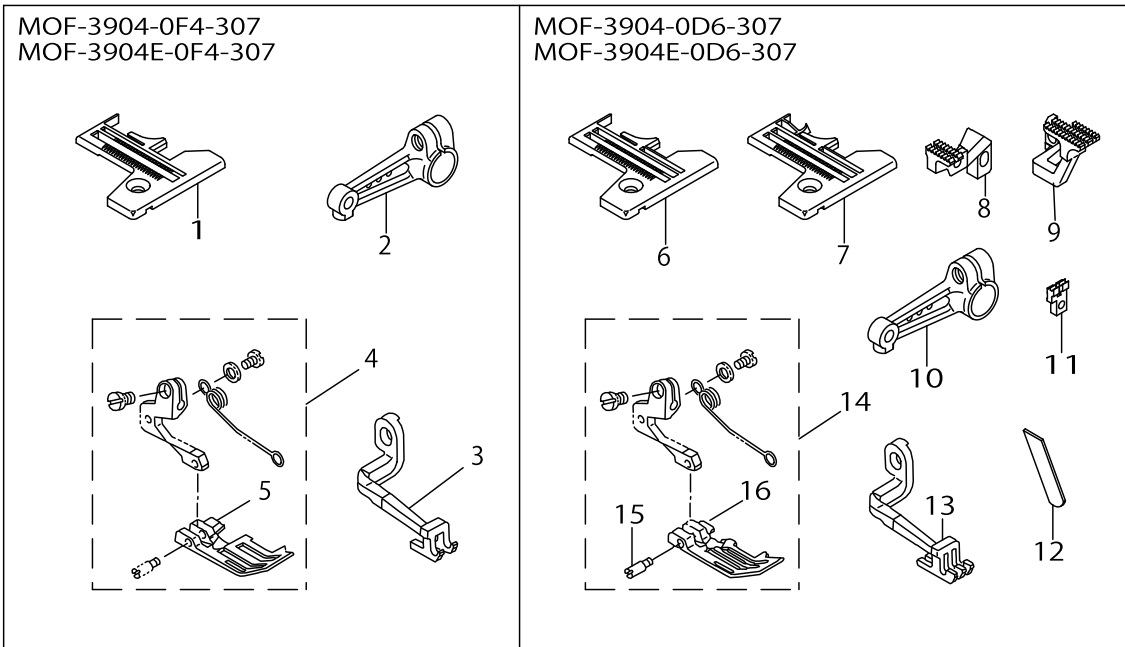
PARTS LIST

Published:09/10/2017

CONTENTS

MOF-3900 SUBCLASSES (1)	1
MOF-3900 SUBCLASSES (2)	3
MOF-3900 SUBCLASSES (3)	5
MOF-3900 SUBCLASSES (4)	7
HOW TO MAKE USE OF THIS PARTS LIST	9

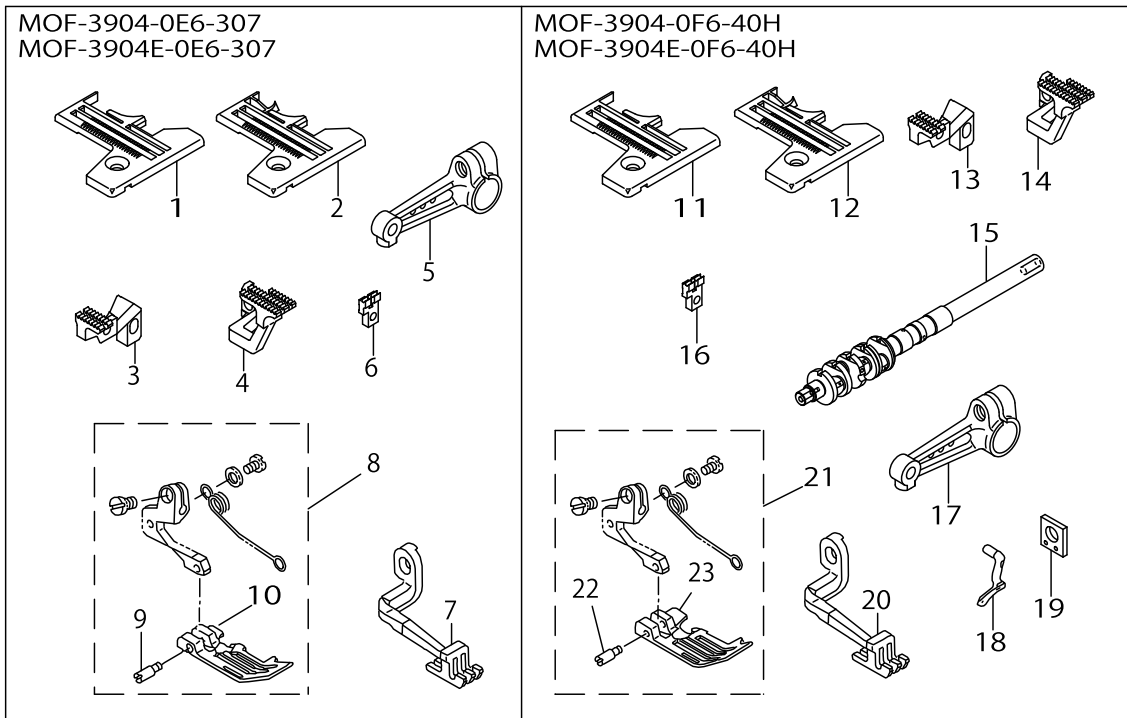
MOF-3900 SUBCLASSES (1)



MOF-3900 SUBCLASSES (1)

No.	Parts No.	Parts name	Remarks	Level	Cons	Qty
1	R4200K0FD00	THROAT PLATE				1
2	12214607	UPPER LOOPER ARM D				1
3	11936705	TOP FEED DOG				1
4	11932159	PRESSER FOOT ASM.				1
5	11926003	PRESSER FOOT		*		1
6	R4300K0DE00	THROAT PLATE				1
7	R4300K0DE0A	THROAT PLATE	P01/Q01 EXCHANGING PARTS			1
8	12235206	MAIN FEED DOG				1
9	12236709	DIFFERENTIAL FEED DOG				1
10	12214607	UPPER LOOPER ARM D				1
11	12238200	AUXILIARY FEED DOG	P01/Q01 EXCHANGING PARTS			1
12	12220406	LOWER KNIFE				1
13	11936804	TOP FEED DOG				1
14	12320453	PRESSER FOOT ASM.				1
15	11930609	HINGE PIN		*		1
16	12320404	PRESSER FOOT		*		1

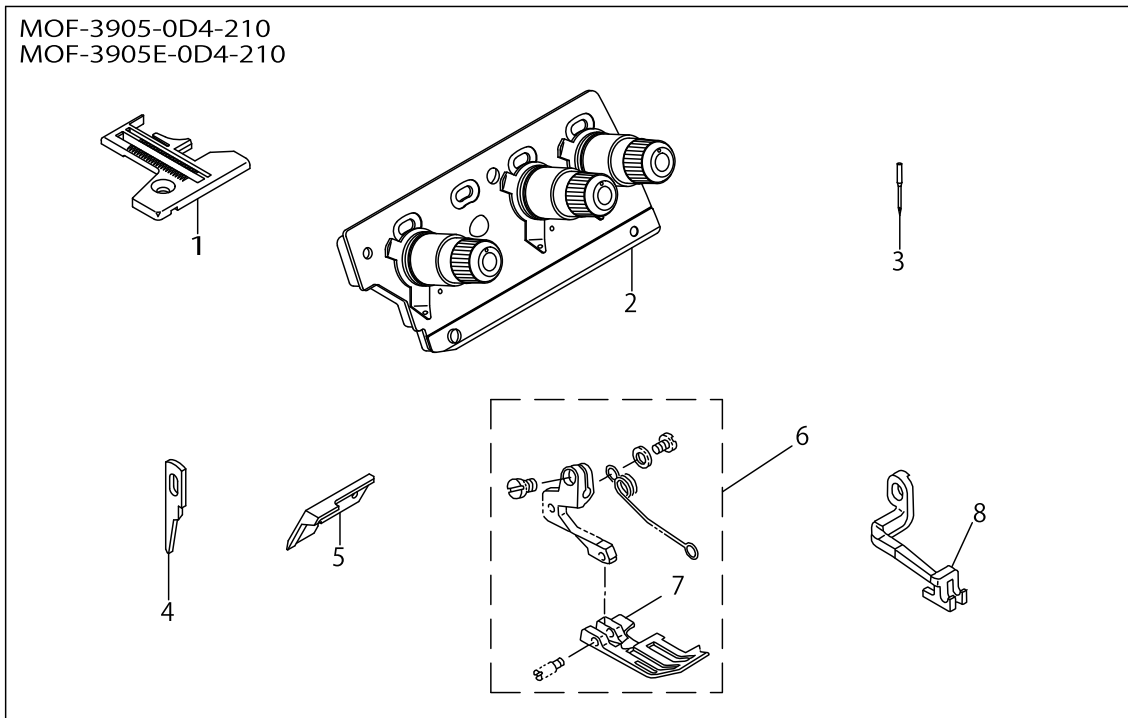
MOF-3900 SUBCLASSES (2)



MOF-3900 SUBCLASSES (2)

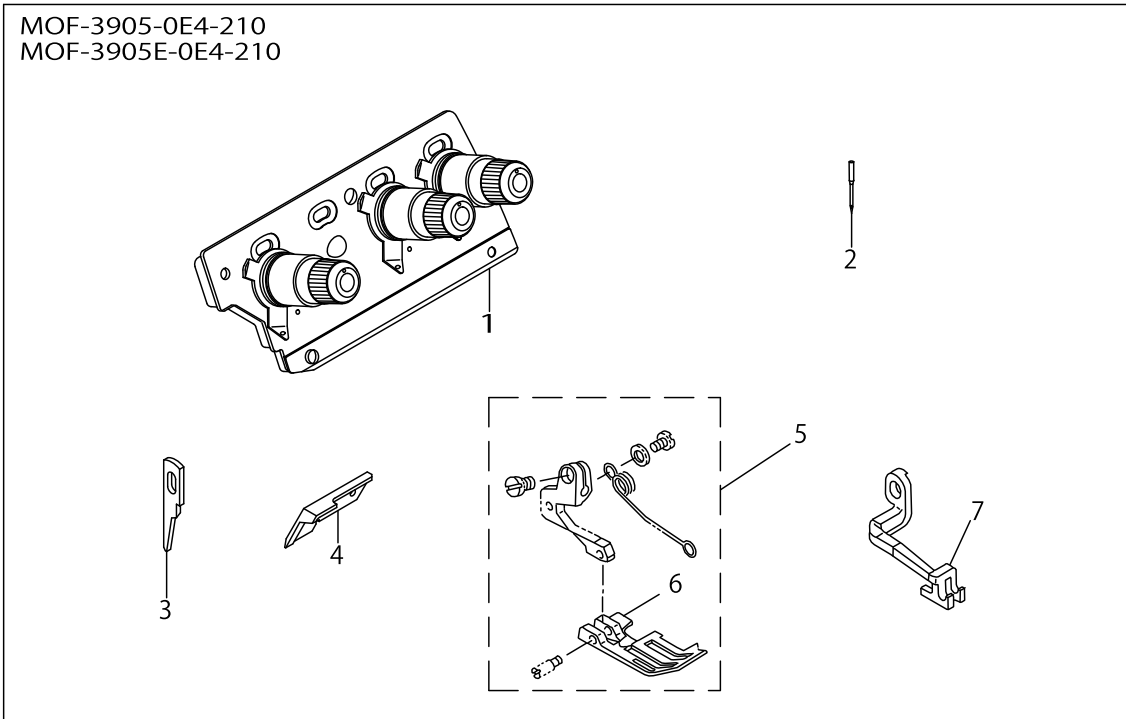
No.	Parts No.	Parts name	Remarks	Level	Cons	Qty
1	R4300K0EE00	THROAT PLATE				1
2	R4300K0EE0A	THROAT PLATE	P03/Q01 EXCHANGING PARTS			1
3	12235206	MAIN FEED DOG				1
4	12236709	DIFFERENTIAL FEED DOG				1
5	12214607	UPPER LOOPER ARM D				1
6	12238200	AUXILIARY FEED DOG	P03/Q01 EXCHANGING PARTS			1
7	11936804	TOP FEED DOG				1
8	12320453	PRESSER FOOT ASM.				1
9	11930609	HINGE PIN		*		1
10	12320404	PRESSER FOOT		*		1
11	R4300K0FE00	THROAT PLATE				1
12	R4300K0FE0A	THROAT PLATE				1
13	12235206	MAIN FEED DOG				1
14	12236709	DIFFERENTIAL FEED DOG				1
15	12292108	MAIN SHAFT				1
16	12238200	AUXILIARY FEED DOG				1
17	12214607	UPPER LOOPER ARM D				1
18	12247102	UPPER LOOPER				1
19	11893609	GAUGE				1
20	11936804	TOP FEED DOG				1
21	11932258	PRESSER FOOT ASM.				1
22	11930609	HINGE PIN		*		1
23	11926102	PRESSER FOOT		*		1

MOF-3900 SUBCLASSES (3)



MOF-3900 SUBCLASSES (3)

No.	Parts No.	Parts name	Remarks	Level	Cons	Qty
1	R4200K0DD00	THROAT PLATE				1
2	12180568	THREAD GUIDE PLATE ASM.				1
3	MDC270B0900	NEEDLE DCX27 #9				1
4	11845708	KNIFE	FOR DOMESTIC USE			1
5	11845906	UPPER KNIFE	FOR EXPORT			1
6	11935764	PRESSER ASM.				1
7	11929213	PRESSER FOOT		*		1
8	11939311	UPPER FEED DOG				1



MOF-3900 SUBCLASSES (4)

No.	Parts No.	Parts name	Remarks	Level	Cons	Qty
1	12180568	THREAD GUIDE PLATE ASM.				1
2	MDC270B0900	NEEDLE DCX27 #9				1
3	11845708	KNIFE	FOR DOMESTIC USE			1
4	11845906	UPPER KNIFE	FOR EXPORT			1
5	11935764	PRESSER ASM.				1
6	11929213	PRESSER FOOT		*		1
7	11939311	UPPER FEED DOG				1

HOW TO MAKE USE OF THIS PARTS LIST

1.As to "#01" and "#02" refer to the "Note" given at the bottom of the respective pages.

2.Codes on the "Qty" column

- Each numeral indicates the number of parts required.
- "0.1" and "2.5" indicate the length (in meters) of the respective parts.

3.Parentheses mean that the corresponding part is a subpart that constructs an assembly part.

4.Dotted lines on the Figures indicate assembly parts.

1. リストページの# 0 1、# 0 2の印は、ページ下の"注記"の説明を参照下さい。
2. 数量欄の数字は、個数を表し、0. 1、2. 5等の数値は、長さ（単位メートル）を表します。
3. 数量欄の（ ）は、組部品を構成している子部品であることを意味します。
4. イラストページの-----枠は、組構成であることを意味します。

NUMERICAL INDEX OF PARTS

PART NO	PAGE	REF NO.	PART NO	PAGE	REF NO.
11845708	6	4	R4300K0FE00	4	11
11845708	8	3	R4300K0FE0A	4	12
11845906	6	5			
11845906	8	4			
11893609	4	19			
11926003	2	5			
11926102	4	23			
11929213	6	7			
11929213	8	6			
11930609	2	15			
11930609	4	22			
11932159	2	4			
11932258	4	21			
11935764	6	6			
11935764	8	5			
11936705	2	3			
11936804	2	13			
11936804	4	20			
11939311	6	8			
11939311	8	7			
12180568	6	2			
12180568	8	1			
12214607	2	10			
12214607	4	17			
12220406	2	12			
12235206	2	8			
12235206	4	13			
12236709	2	9			
12236709	4	14			
12238200	2	11			
12238200	4	16			
12247102	4	18			
12292108	4	15			
12320404	2	16			
12320404	4	10			
12320453	2	14			
12320453	4	8			
MDC270B0900	6	3			
MDC270B0900	8	2			
R4200K0DD00	6	1			
R4200K0FD00	2	1			
R4300K0DE00	2	6			
R4300K0DE0A	2	7			
R4300K0EE00	4	1			
R4300K0EE0A	4	2			