

MODEL : MOR-3900 SUBCLASSES/MOR-3914

List No : 1112-00

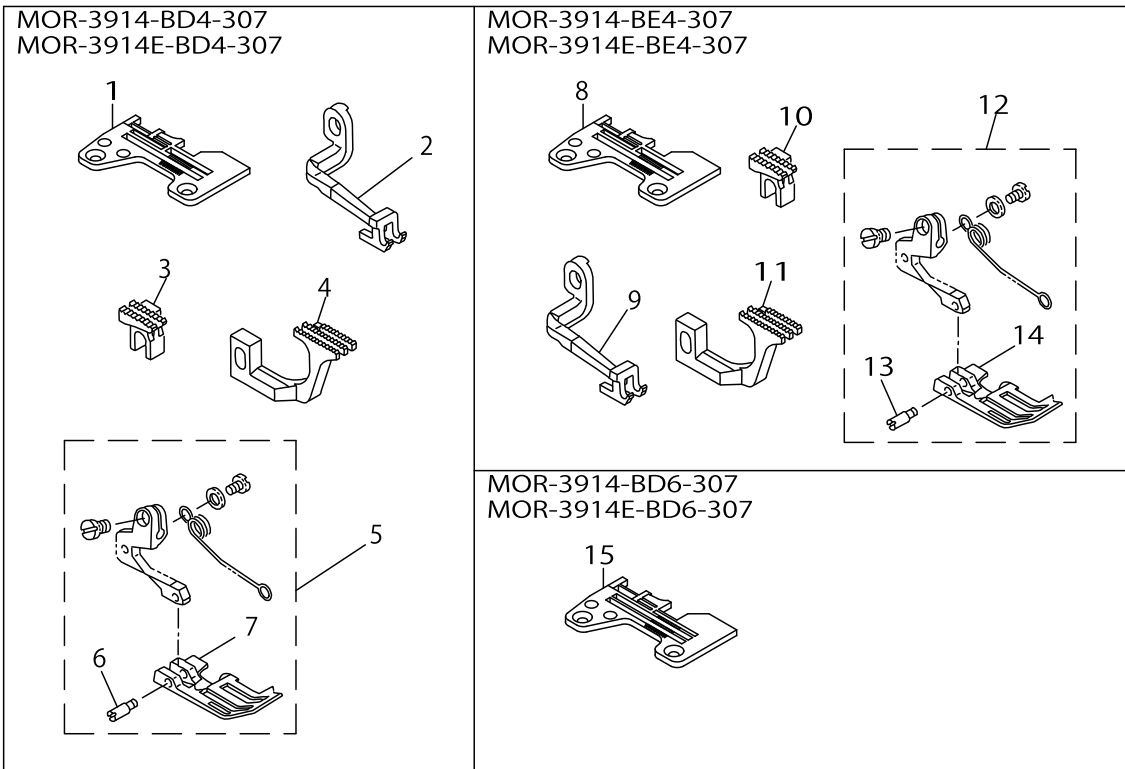
PARTS LIST

Published:09/10/2017

CONTENTS

MOR-3900 SUBCLASSES (1).....	1
MOR-3900 SUBCLASSES (2).....	3
MOR-3900 SUBCLASSES (3).....	5
MOR-3900 SUBCLASSES (4).....	7
MOR-3900 SUBCLASSES (5).....	9
MOR-3900 SUBCLASSES (6).....	11
MOR-3900 SUBCLASSES (7).....	13
MOR-3900 SUBCLASSES (8).....	15
MOR-3900 SUBCLASSES (9).....	17
HOW TO MAKE USE OF THIS PARTS LIST	19

MOR-3900 SUBCLASSES (1)

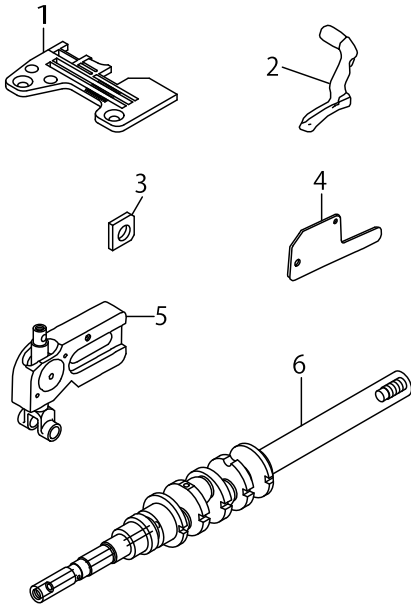


MOR-3900 SUBCLASSES (1)

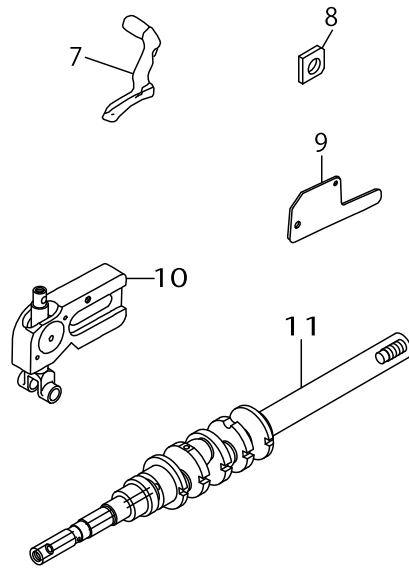
No.	Parts No.	Parts name	Remarks	Level	Cons	Qty
1	R4205J0DE00	THROAT PLATE				1
2	11936705	TOP FEED DOG				1
3	11597101	MAIN FEED DOG				1
4	B1657814B0E	DIFFERENTIAL FEED DOG				1
5	11932357	PRESSER FOOT ASM.				1
6	11930500	PRESSER FOOT HINGE PIN		*		1
7	11926201	PRESSER FOOT		*		1
8	R4205J0EE00	THROAT PLATE				1
9	11936705	TOP FEED DOG				1
10	11597101	MAIN FEED DOG				1
11	B1657814B0E	DIFFERENTIAL FEED DOG				1
12	11932357	PRESSER FOOT ASM.				1
13	11930500	PRESSER FOOT HINGE PIN		*		1
14	11926201	PRESSER FOOT		*		1
15	R4305J0DE00	THROAT PLATE				1

MOR-3900 SUBCLASSES (2)

MOR-3914-BD6-40H
MOR-3914E-BD6-40H



MOR-3914-BE6-40H
MOR-3914E-BE6-40H

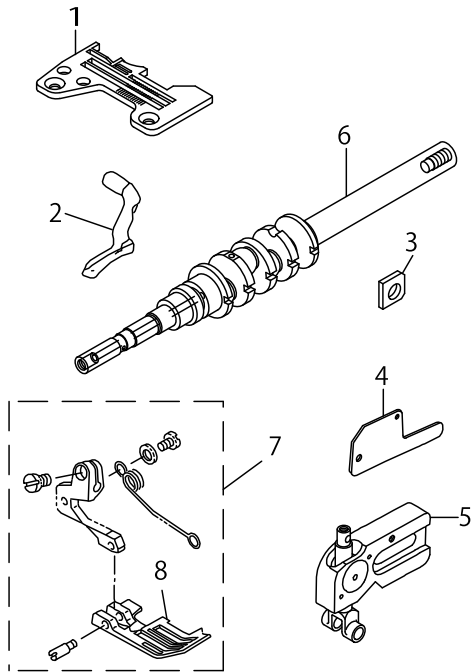


MOR-3900 SUBCLASSES (2)

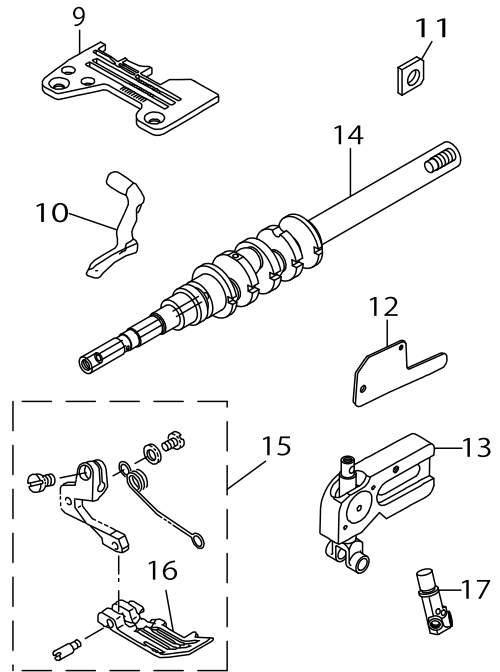
No.	Parts No.	Parts name	Remarks	Level	Cons	Qty
1	R4305J0DE00	THROAT PLATE				1
2	12176103	UPPER LOOPER				1
3	11991809	GAUGE				1
4	11991601	UPPER LOOPER GUIDE COVER				1
5	12123055	UPPER LOOPER GUIDE ASM.				1
6	12303103	MAIN SHAFT				1
7	12176103	UPPER LOOPER				1
8	11991809	GAUGE				1
9	11991601	UPPER LOOPER GUIDE COVER				1
10	12123055	UPPER LOOPER GUIDE ASM.				1
11	12303103	MAIN SHAFT				1

MOR-3900 SUBCLASSES (3)

MOR-3914-BF6-40H
MOR-3914E-BF6-40H



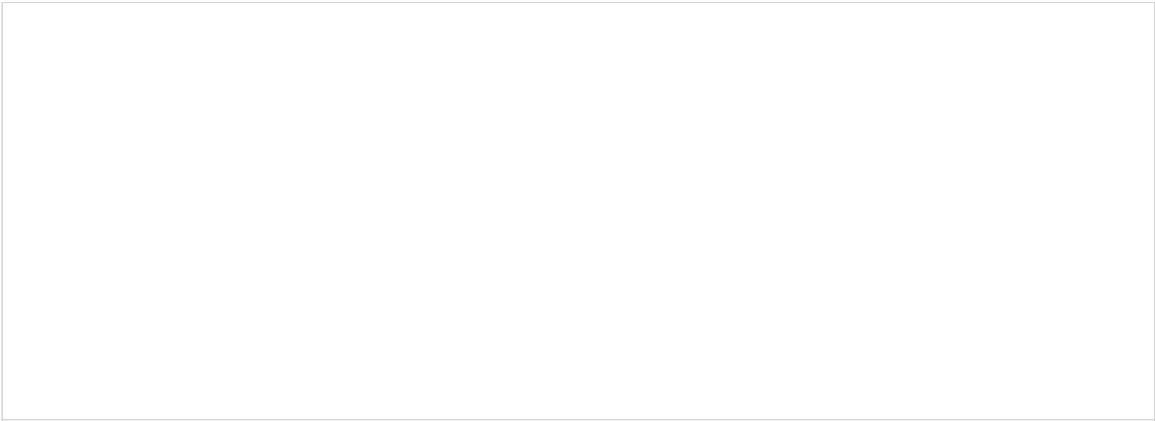
MOR-3914-CE6-40H
MOR-3914E-CE6-40H

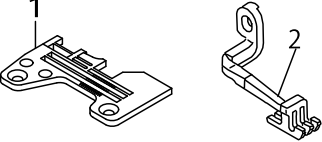
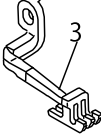


MOR-3900 SUBCLASSES (3)

No.	Parts No.	Parts name	Remarks	Level	Cons	Qty
1	R4305J0FE00	THROAT PLATE				1
2	12176103	UPPER LOOPER				1
3	11991809	GAUGE				1
4	11991601	UPPER LOOPER GUIDE COVER				1
5	12123055	UPPER LOOPER GUIDE ASM.				1
6	12303103	MAIN SHAFT				1
7	11932654	PRESSER FOOT ASM.				1
8	11926508	PRESSER FOOT		*		1
9	R4306J0EE00	THROAT PLATE				1
10	12176103	UPPER LOOPER				1
11	11991809	GAUGE				1
12	11991601	UPPER LOOPER GUIDE COVER				1
13	12123055	UPPER LOOPER GUIDE ASM.				1
14	12303103	MAIN SHAFT				1
15	11942653	PRESSER FOOT ASM.				1
16	11942604	PRESSER FOOT		*		1
17	12149209	NEEDLE CLAMP, 2-NEEDLE				1

MOR-3900 SUBCLASSES (4)

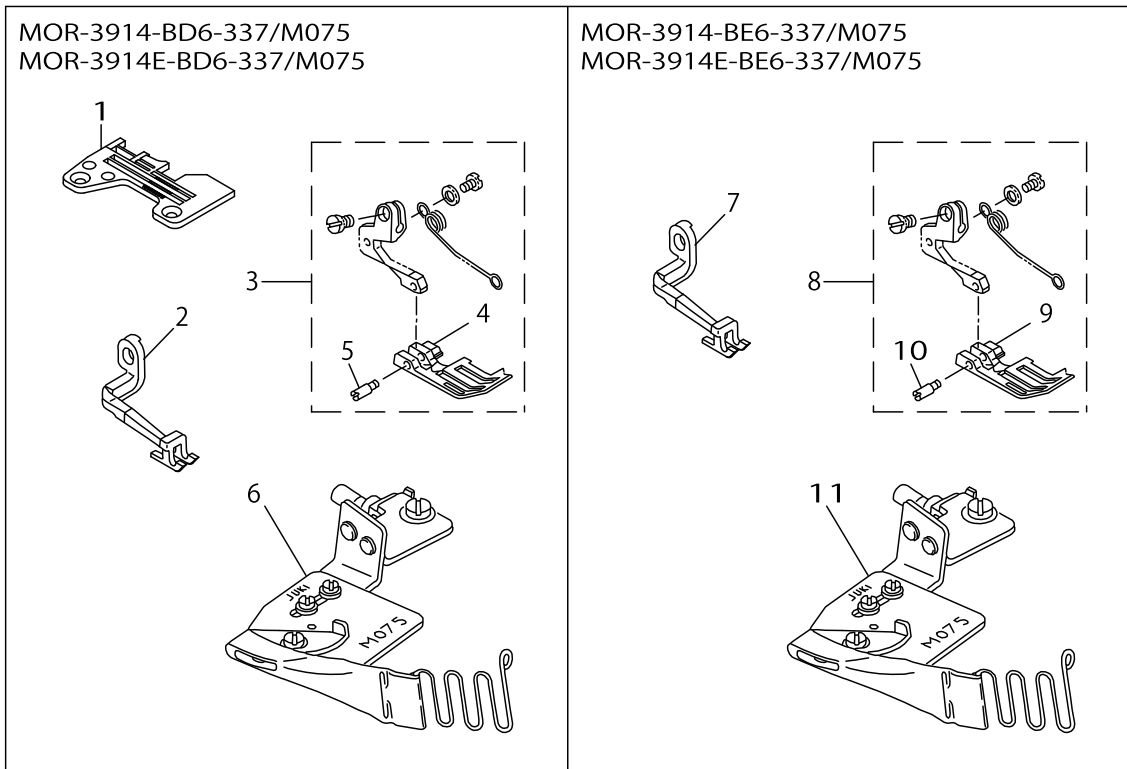


<p>MOR-3914-BD6-327 MOR-3914E-BD6-327</p> 	<p>MOR-3914-BE6-327 MOR-3914E-BE6-327</p> 
----------------------------------------------------------------------------------------------------------------------------------	-----------------------------------------------------------------------------------------------------------------------------------



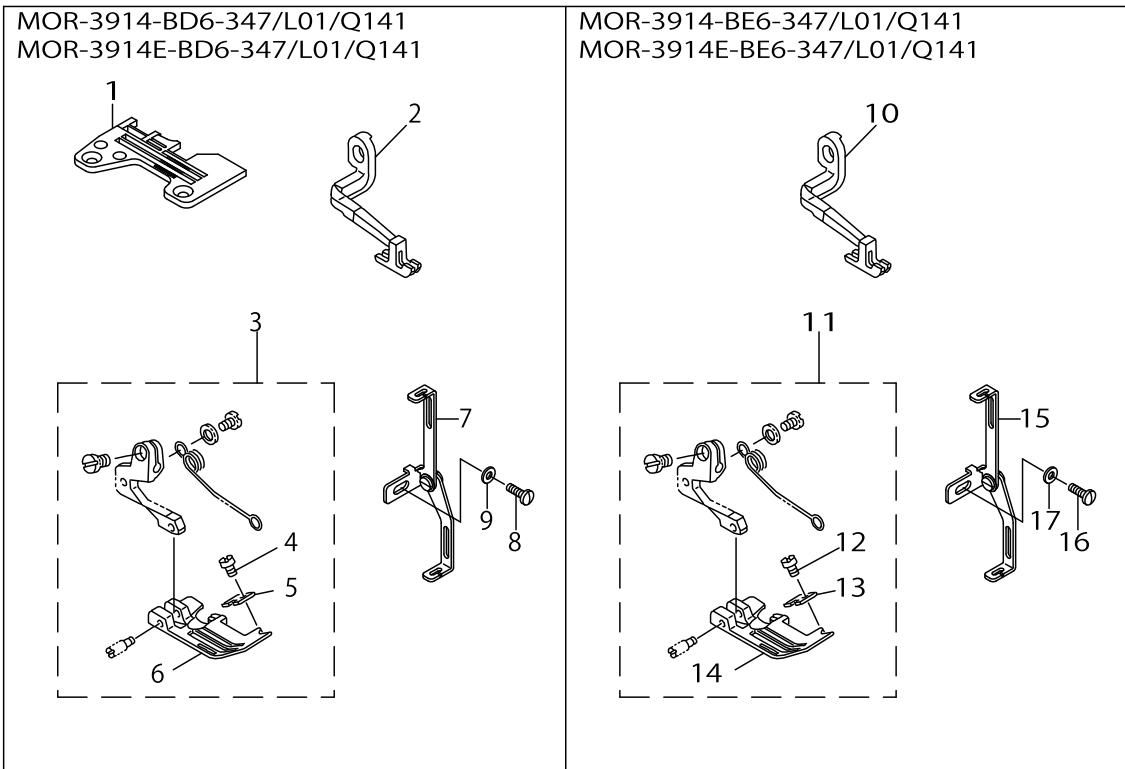
MOR-3900 SUBCLASSES (4)

No.	Parts No.	Parts name	Remarks	Level	Cons	Qty
1	R4305J0DE00	THROAT PLATE				1
2	12330304	UPPER FEED DOG				1
3	12330304	UPPER FEED DOG				1



MOR-3900 SUBCLASSES (5)

No.	Parts No.	Parts name	Remarks	Level	Cons	Qty
1	R4305J0DE00	THROAT PLATE				1
2	11937901	TOP FEED DOG				1
3	11934155	PRESSER FOOT ASM.				1
4	11927506	PRESSER FOOT		*		1
5	11930500	PRESSER FOOT HINGE PIN		*		1
6	MAM0750J0A0	PIPING FOLDER ASM. 9MM				1
7	11937901	TOP FEED DOG				1
8	11934155	PRESSER FOOT ASM.				1
9	11927506	PRESSER FOOT		*		1
10	11930500	PRESSER FOOT HINGE PIN		*		1
11	MAM0750J0A0	PIPING FOLDER ASM. 9MM				1

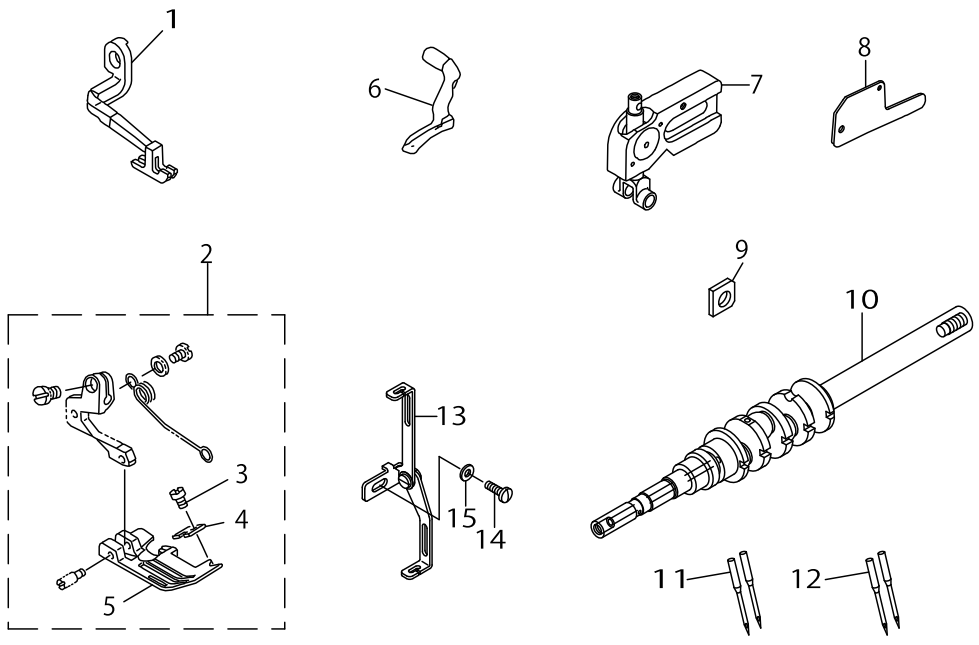


MOR-3900 SUBCLASSES (6)

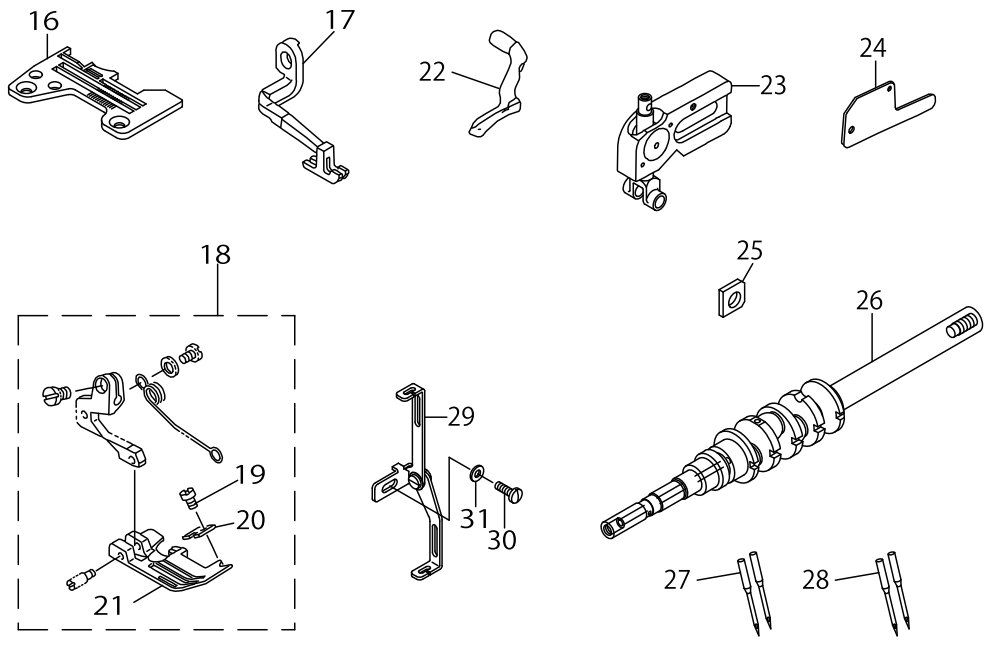
No.	Parts No.	Parts name	Remarks	Level	Cons	Qty
1	R4305J0DE00	THROAT PLATE				1
2	11939204	TOP FEED DOG (M01)				1
3	11934551	PRESSER FOOT ASM.(L01)				1
4	SS7060310SP	SCREW 3/32-56 L=3		*		1
5	11931805	TAPE GUIDE PLATE		*		1
6	11927902	PRESSER FOOT		*		1
7	MAQ141000A0	TAPE GUIDE ASM.				1
8	SS7091110TP	SCREW 9/64-40 L=10.5				1
9	WP0371016SD	WASHER 3.7X8X1				1
10	11939204	TOP FEED DOG (M01)				1
11	11934551	PRESSER FOOT ASM.(L01)				1
12	SS7060310SP	SCREW 3/32-56 L=3		*		1
13	11931805	TAPE GUIDE PLATE		*		1
14	11927902	PRESSER FOOT		*		1
15	MAQ141000A0	TAPE GUIDE ASM.				1
16	SS7091110TP	SCREW 9/64-40 L=10.5				1
17	WP0371016SD	WASHER 3.7X8X1				1

MOR-3900 SUBCLASSES (7)

MOR-3914-BE6-44H/L01/Q141
MOR-3914E-BE6-44H/L01/Q141



MOR-3914-BF6-44H/L01/Q141
MOR-3914E-BF6-44H/L01/Q141

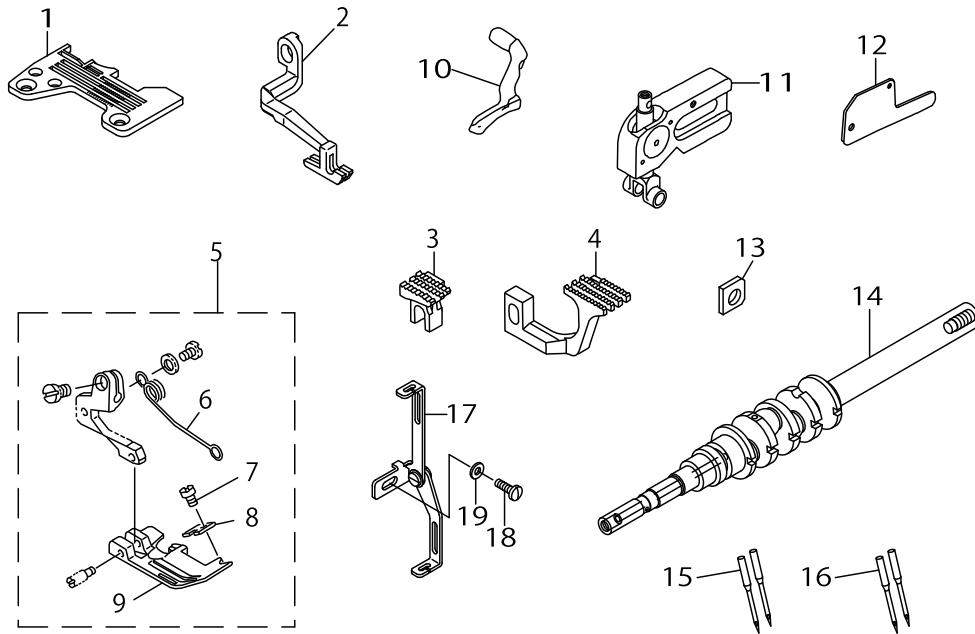


MOR-3900 SUBCLASSES (7)

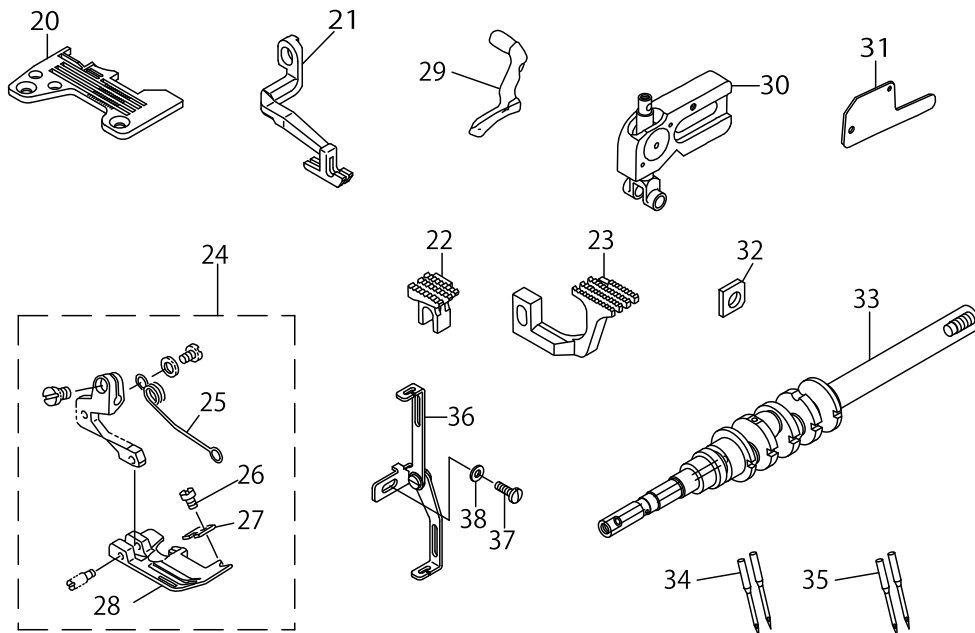
No.	Parts No.	Parts name	Remarks	Level	Cons	Qty
1	11939204	TOP FEED DOG (M01)				1
2	11934551	PRESSER FOOT ASM.(L01)				1
3	SS7060310SP	SCREW 3/32-56 L=3		*		1
4	11931805	TAPE GUIDE PLATE		*		1
5	11927902	PRESSER FOOT		*		1
6	12176103	UPPER LOOPER				1
7	12123055	UPPER LOOPER GUIDE ASM.				1
8	11991601	UPPER LOOPER GUIDE COVER				1
9	11991809	GAUGE				1
10	12303103	MAIN SHAFT				1
11	MDC270B1400	NEEDLE DCX27 #14				2
12	MC033600900	NEEDLE B-27 NM90				2
13	MAQ141000A0	TAPE GUIDE ASM.				1
14	SS7091110TP	SCREW 9/64-40 L=10.5				1
15	WP0371016SD	WASHER 3.7X8X1				1
16	R4305J0FE00	THROAT PLATE				1
17	11939204	TOP FEED DOG (M01)				1
18	11934551	PRESSER FOOT ASM.(L01)				1
19	SS7060310SP	SCREW 3/32-56 L=3		*		1
20	11931805	TAPE GUIDE PLATE		*		1
21	11927902	PRESSER FOOT		*		1
22	12176103	UPPER LOOPER				1
23	12123055	UPPER LOOPER GUIDE ASM.				1
24	11991601	UPPER LOOPER GUIDE COVER				1
25	11991809	GAUGE				1
26	12303103	MAIN SHAFT				1
27	MDC270B1400	NEEDLE DCX27 #14				2
28	MC033600900	NEEDLE B-27 NM90				2
29	MAQ141000A0	TAPE GUIDE ASM.				1
30	SS7091110TP	SCREW 9/64-40 L=10.5				1
31	WP0371016SD	WASHER 3.7X8X1				1

MOR-3900 SUBCLASSES (8)

MOR-3914-BD7-44H/L07/Q141
MOR-3914E-BD7-44H/L07/Q141



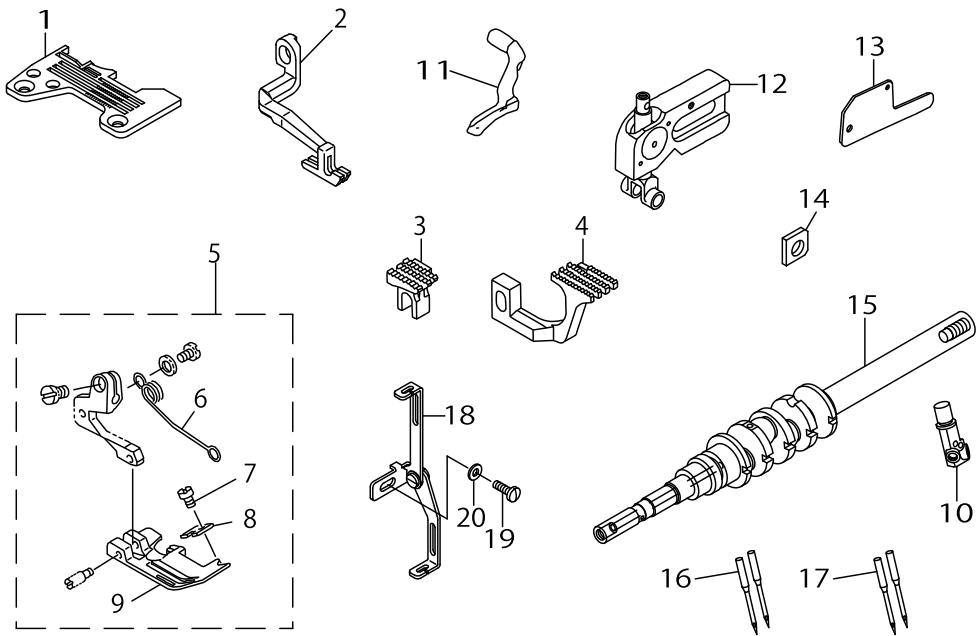
MOR-3914-BE7-44H/L07/Q141
MOR-3914E-BE7-44H/L07/Q141



MOR-3900 SUBCLASSES (8)

No.	Parts No.	Parts name	Remarks	Level	Cons	Qty
1	R4405J0DE00	THROAT PLATE				1
2	11936911	TOP FEED DOG				1
3	11883501	MAIN FEED DOG				1
4	B1657814B0F	DIFFERENTIAL FEED DOG				1
5	11932563	PRESSER FOOT ASM.				1
6	11931003	PRESSER FOOT SPRING		*		1
7	SS7060310SP	SCREW 3/32-56 L=3		*		1
8	11931805	TAPE GUIDE PLATE		*		1
9	11926417	PRESSER FOOT		*		1
10	12176103	UPPER LOOPER				1
11	12123055	UPPER LOOPER GUIDE ASM.				1
12	11991601	UPPER LOOPER GUIDE COVER				1
13	11991809	GAUGE				1
14	12303103	MAIN SHAFT				1
15	MDC270B1400	NEEDLE DCX27 #14				2
16	MC033600900	NEEDLE B-27 NM90				2
17	MAQ141000A0	TAPE GUIDE ASM.				1
18	SS7091110TP	SCREW 9/64-40 L=10.5				1
19	WP0371016SD	WASHER 3.7X8X1				1
20	R4405J0EE00	THROAT PLATE				1
21	11936911	TOP FEED DOG				1
22	11883501	MAIN FEED DOG				1
23	B1657814B0F	DIFFERENTIAL FEED DOG				1
24	11932563	PRESSER FOOT ASM.				1
25	11931003	PRESSER FOOT SPRING		*		1
26	SS7060310SP	SCREW 3/32-56 L=3		*		1
27	11931805	TAPE GUIDE PLATE		*		1
28	11926417	PRESSER FOOT		*		1
29	12176103	UPPER LOOPER				1
30	12123055	UPPER LOOPER GUIDE ASM.				1
31	11991601	UPPER LOOPER GUIDE COVER				1
32	11991809	GAUGE				1
33	12303103	MAIN SHAFT				1
34	MDC270B1400	NEEDLE DCX27 #14				2
35	MC033600900	NEEDLE B-27 NM90				2
36	MAQ141000A0	TAPE GUIDE ASM.				1
37	SS7091110TP	SCREW 9/64-40 L=10.5				1
38	WP0371016SD	WASHER 3.7X8X1				1

MOR-3914-CE7-44H/L07/Q141
MOR-3914E-CE7-44H/L07/Q141



MOR-3900 SUBCLASSES (9)

No.	Parts No.	Parts name	Remarks	Level	Cons	Qty
1	R4406JOEE00	THROAT PLATE				1
2	11936911	TOP FEED DOG				1
3	11883501	MAIN FEED DOG				1
4	B1657814B0F	DIFFERENTIAL FEED DOG				1
5	11932563	PRESSER FOOT ASM.				1
6	11931003	PRESSER FOOT SPRING		*		1
7	SS7060310SP	SCREW 3/32-56 L=3		*		1
8	11931805	TAPE GUIDE PLATE		*		1
9	11926417	PRESSER FOOT		*		1
10	12149209	NEEDLE CLAMP, 2-NEEDLE				1
11	12176103	UPPER LOOPER				1
12	12123055	UPPER LOOPER GUIDE ASM.				1
13	11991601	UPPER LOOPER GUIDE COVER				1
14	11991809	GAUGE				1
15	12303103	MAIN SHAFT				1
16	MDC270B1400	NEEDLE DCX27 #14				2
17	MC033600900	NEEDLE B-27 NM90				2
18	MAQ141000A0	TAPE GUIDE ASM.				1
19	SS7091110TP	SCREW 9/64-40 L=10.5				1
20	WP0371016SD	WASHER 3.7X8X1				1

HOW TO MAKE USE OF THIS PARTS LIST

1.As to "#01" and "#02" refer to the "Note" given at the bottom of the respective pages.

2.Codes on the "Qty" column

- Each numeral indicates the number of parts required.
- "0.1" and "2.5" indicate the length (in meters) of the respective parts.

3.Parentheses mean that the corresponding part is a subpart that constructs an assembly part.

4.Dotted lines on the Figures indicate assembly parts.

1. リストページの# 0 1、# 0 2の印は、ページ下の"注記"の説明を参照下さい。
2. 数量欄の数字は、個数を表し、0. 1、2. 5等の数値は、長さ（単位メートル）を表します。
3. 数量欄の（ ）は、組部品を構成している子部品であることを意味します。
4. イラストページの-----枠は、組構成であることを意味します。

NUMERICAL INDEX OF PARTS

PART NO	PAGE	REF NO.	PART NO	PAGE	REF NO.	PART NO	PAGE	REF NO.
11597101	2	10	12123055	14	23	SS7060310SP	16	26
11883501	16	22	12123055	16	30	SS7060310SP	18	7
11883501	18	3	12123055	18	12	SS7091110TP	12	16
11926201	2	14	12149209	6	17	SS7091110TP	14	30
11926417	16	28	12149209	18	10	SS7091110TP	16	37
11926417	18	9	12176103	4	7	SS7091110TP	18	19
11926508	6	8	12176103	6	10	WP0371016SD	12	17
11927506	10	9	12176103	14	22	WP0371016SD	14	31
11927902	12	14	12176103	16	29	WP0371016SD	16	38
11927902	14	21	12176103	18	11	WP0371016SD	18	20
11930500	2	13	12303103	4	11			
11930500	10	10	12303103	6	14			
11931003	16	25	12303103	14	26			
11931003	18	6	12303103	16	33			
11931805	12	13	12303103	18	15			
11931805	14	20	12330304	8	3			
11931805	16	27	B1657814B0E	2	11			
11931805	18	8	B1657814B0F	16	23			
11932357	2	12	B1657814B0F	18	4			
11932563	16	24	MAM0750J0A0	10	11			
11932563	18	5	MAQ141000A0	12	15			
11932654	6	7	MAQ141000A0	14	29			
11934155	10	8	MAQ141000A0	16	36			
11934551	12	11	MAQ141000A0	18	18			
11934551	14	18	MC033600900	14	28			
11936705	2	9	MC033600900	16	35			
11936911	16	21	MC033600900	18	17			
11936911	18	2	MDC270B1400	14	27			
11937901	10	7	MDC270B1400	16	34			
11939204	12	10	MDC270B1400	18	16			
11939204	14	17	R4205J0DE00	2	1			
11942604	6	16	R4205J0EE00	2	8			
11942653	6	15	R4305J0DE00	2	15			
11991601	4	9	R4305J0DE00	4	1			
11991601	6	12	R4305J0DE00	8	1			
11991601	14	24	R4305J0DE00	10	1			
11991601	16	31	R4305J0DE00	12	1			
11991601	18	13	R4305J0FE00	6	1			
11991809	4	8	R4305J0FE00	14	16			
11991809	6	11	R4306J0EE00	6	9			
11991809	14	25	R4405J0DE00	16	1			
11991809	16	32	R4405J0EE00	16	20			
11991809	18	14	R4406J0EE00	18	1			
12123055	4	10	SS7060310SP	12	12			
12123055	6	13	SS7060310SP	14	19			