

MODEL : MO-3600 SUBCLASSES

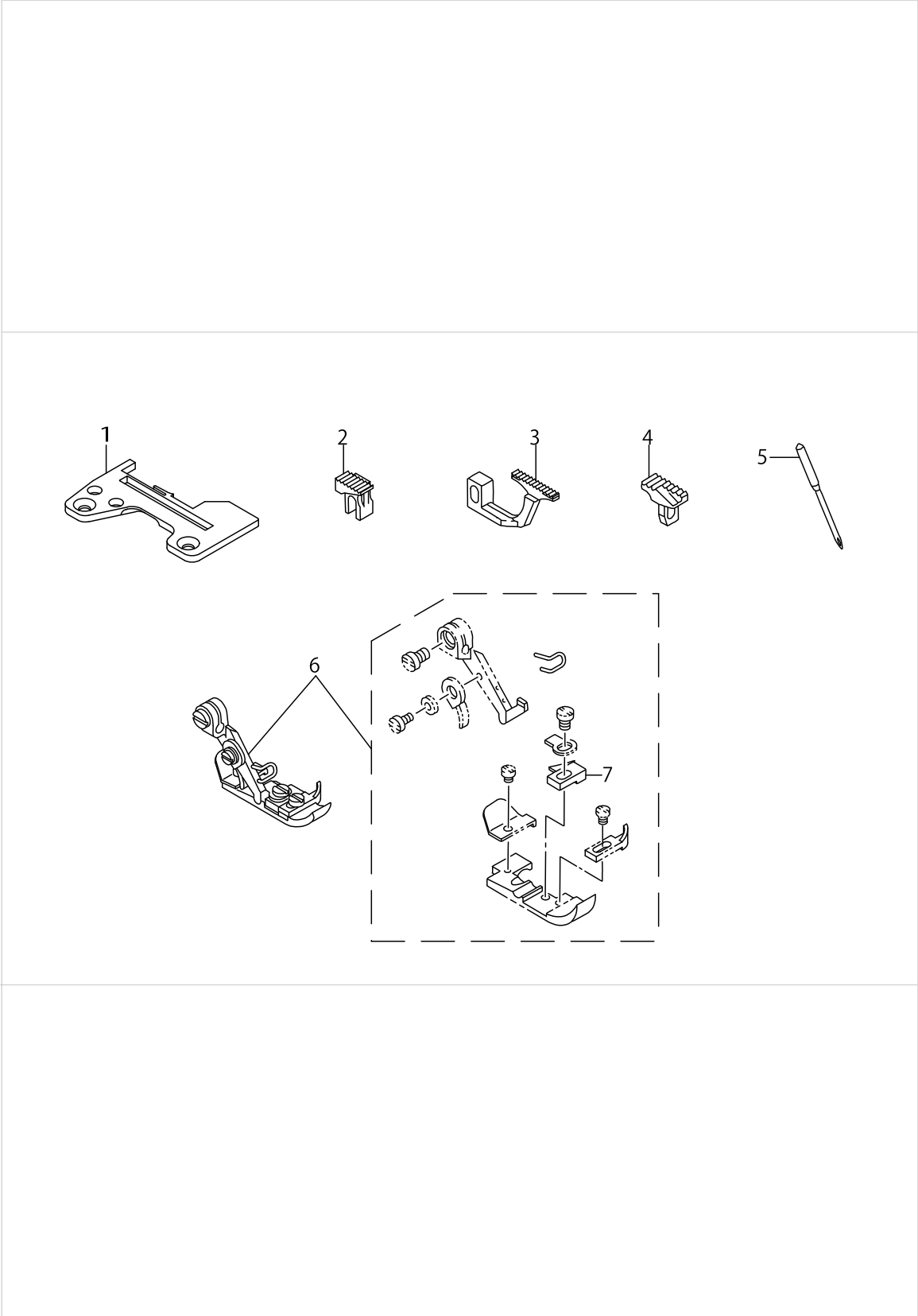
List No : 1102-02

PARTS LIST

Published:09/10/2017

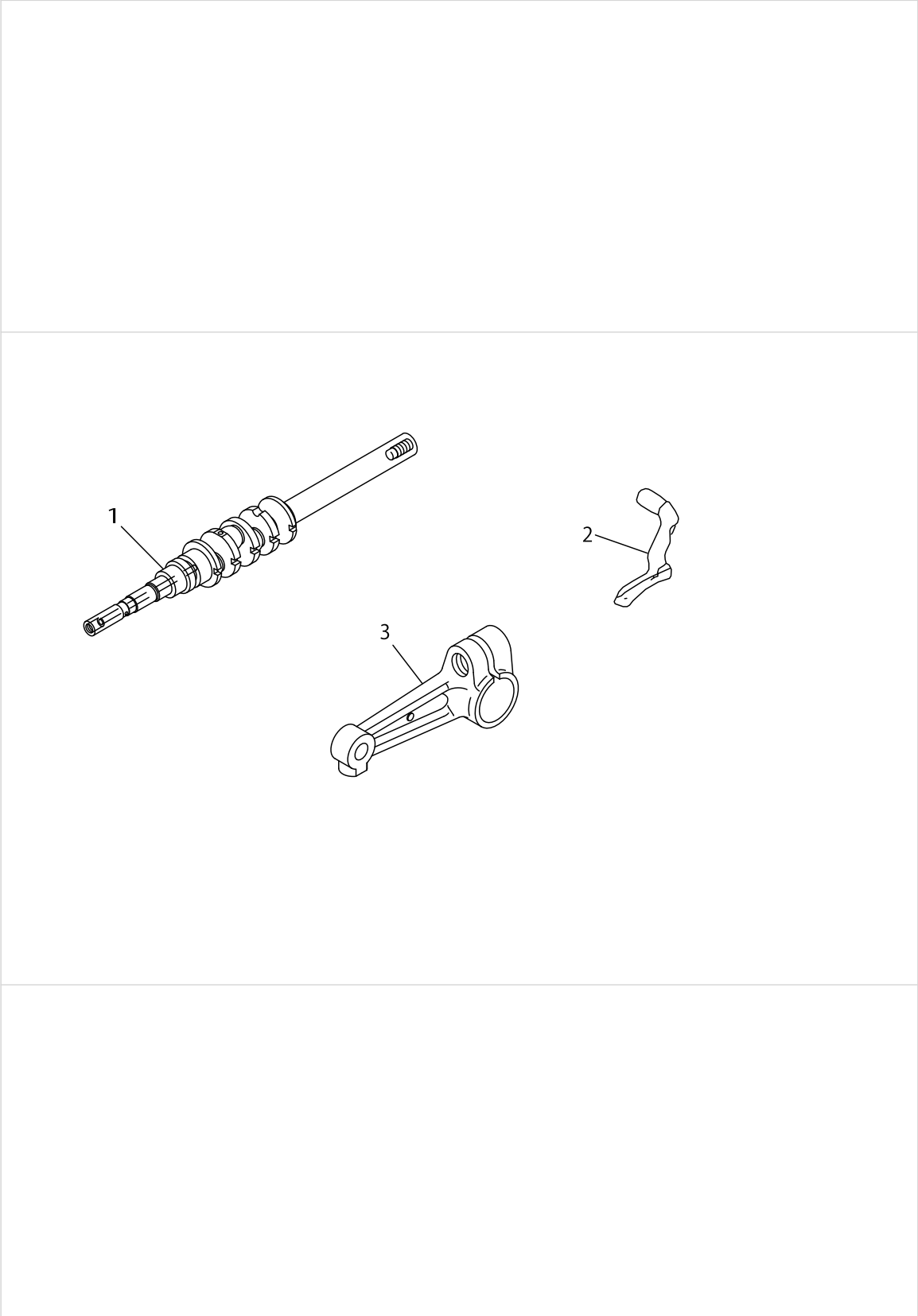
CONTENTS

MO-3604E-0A5-150/F	1
MO-3604E-0E4-40H/F	3
MO-3604B-0E4-40H/F/Z173	5
MO-3605E-0E4-41H/F/L121	7
MO-3614E-BE6-20H/F	9
MO-3614E-BE6-44H/F/G39/Q141	11
MO-3616E-DE4-20H/FH	13
MO-3616E-DE4-40H/F/E3A	15
MO-3616E-FF6-40H/F	17
MO-3616E-FF6-60H/F	19
MO-3643E-FBD6-40H/F	21
MO-3645E-DD4-360/F/N077	23
HOW TO MAKE USE OF THIS PARTS LIST	27



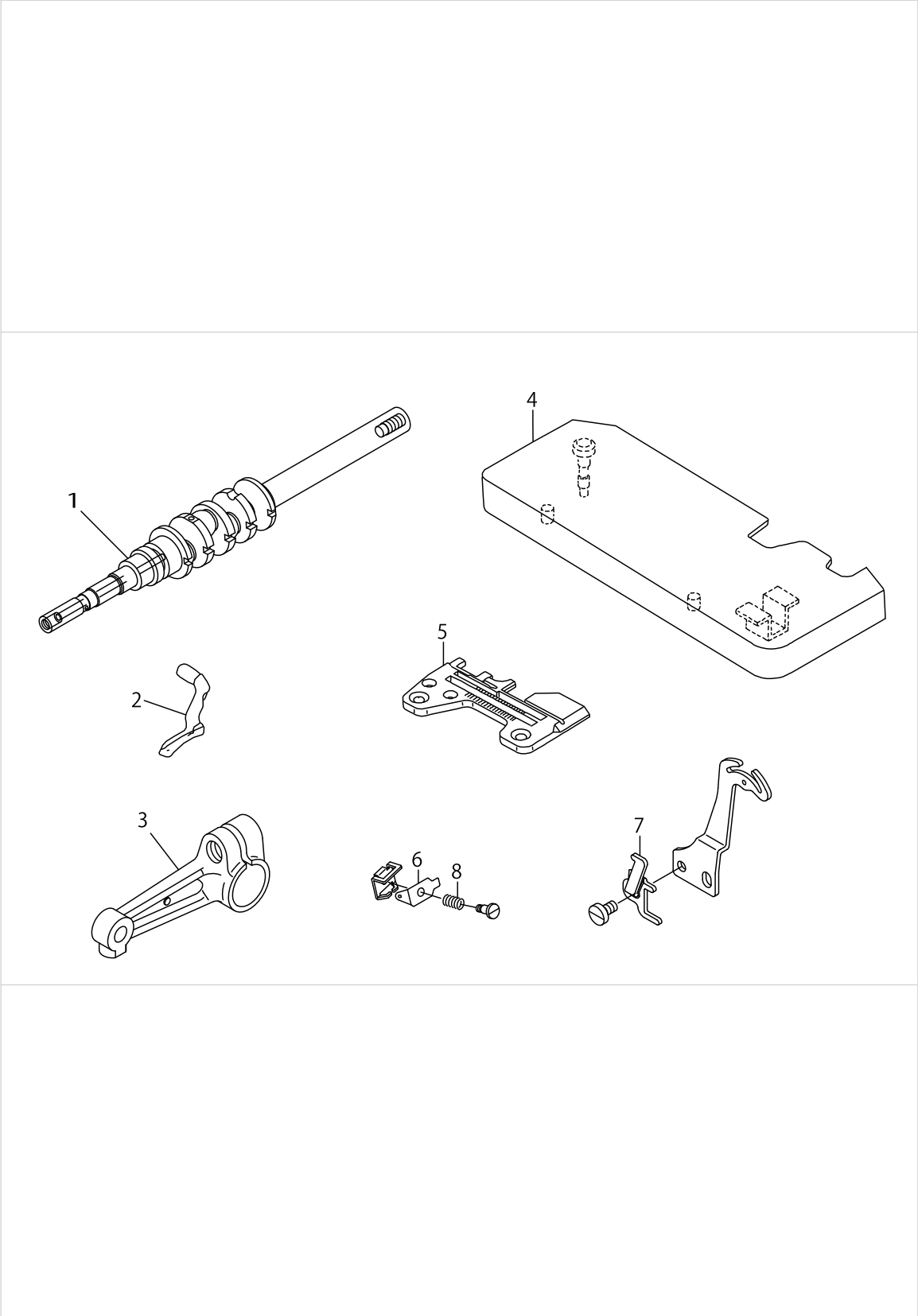
MO-3604E-0A5-150/F

No.	Parts No.	Parts name	Remarks	Level	Cons	Qty
1	R4100J0AC00	THROAT PLATE				1
2	11882008	MAIN FEED DOG				1
3	11885001	DIFFERENTIAL FEED DOG				1
4	11887007	AUXILIARY FEED DOG				1
5	MDC100B0800	NEEDLE DCX1 #8				1
6	11876067	PRESSER FOOT ASM.				1
7	11792900	STITCH TONGUE		*		1



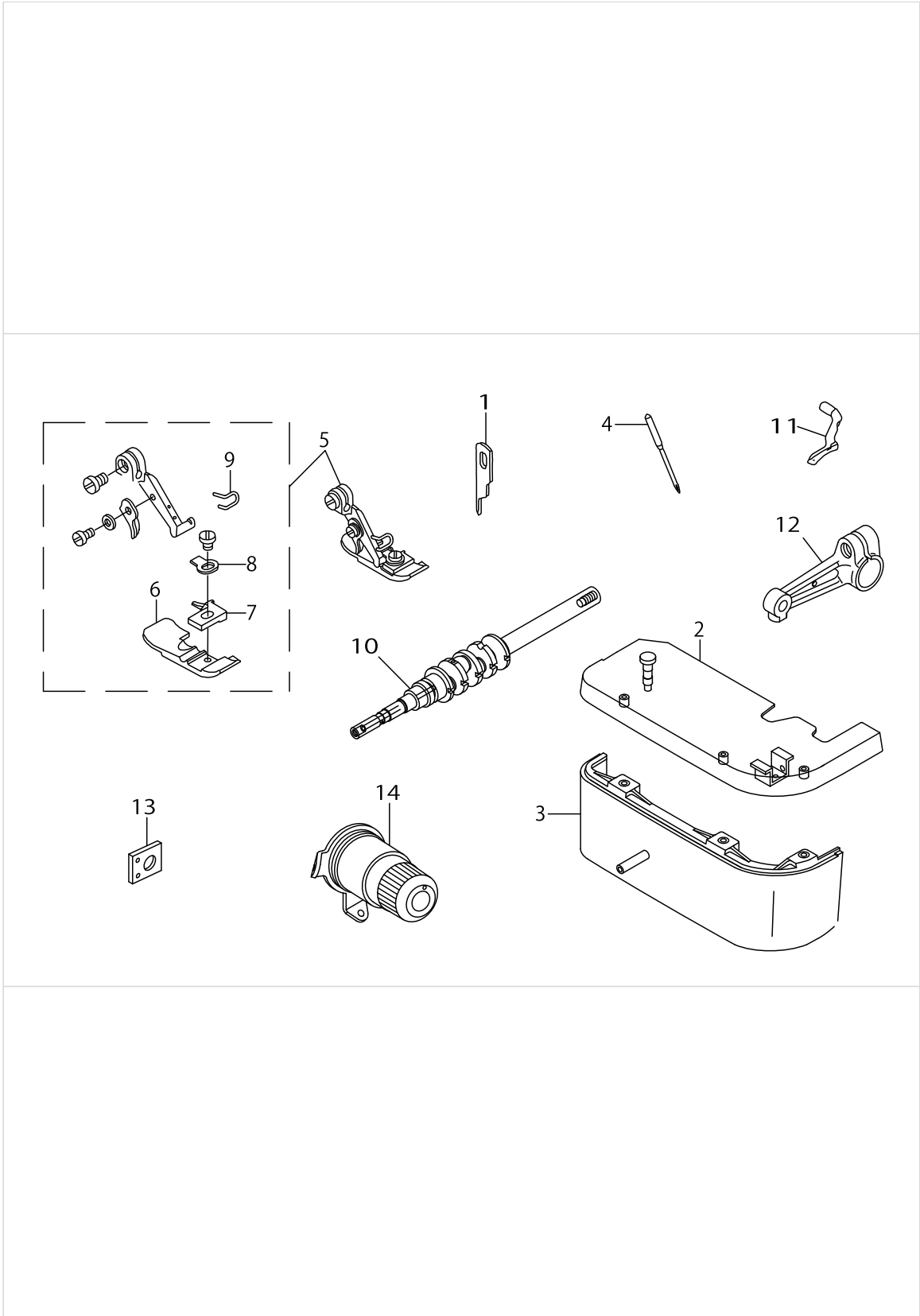
MO-3604E-0E4-40H/F

No.	Parts No.	Parts name	Remarks	Level	Cons	Qty
1	12107207	CRANKSHAFT				1
2	11991908	UPPER LOOPER				1
3	12284501	LOOPER HOLDER, B				1



M0-3604B-0E4-40H/F/Z173

No.	Parts No.	Parts name	Remarks	Level	Cons	Qty
1	12107207	CRANKSHAFT				1
2	11991908	UPPER LOOPER				1
3	12284501	LOOPER HOLDER, B				1
4	11948783	CLOTH PLATE ASM.				1
5	R4200J2ED00	THROAT PLATE				1
6	12112504	NEEDLE THREAD PRESSER PLATE C				1
7	12112603	DIFFERENTIAL FEED CAM				1
8	12112702	NEEDLE THREAD PRESSER SPRING B				1



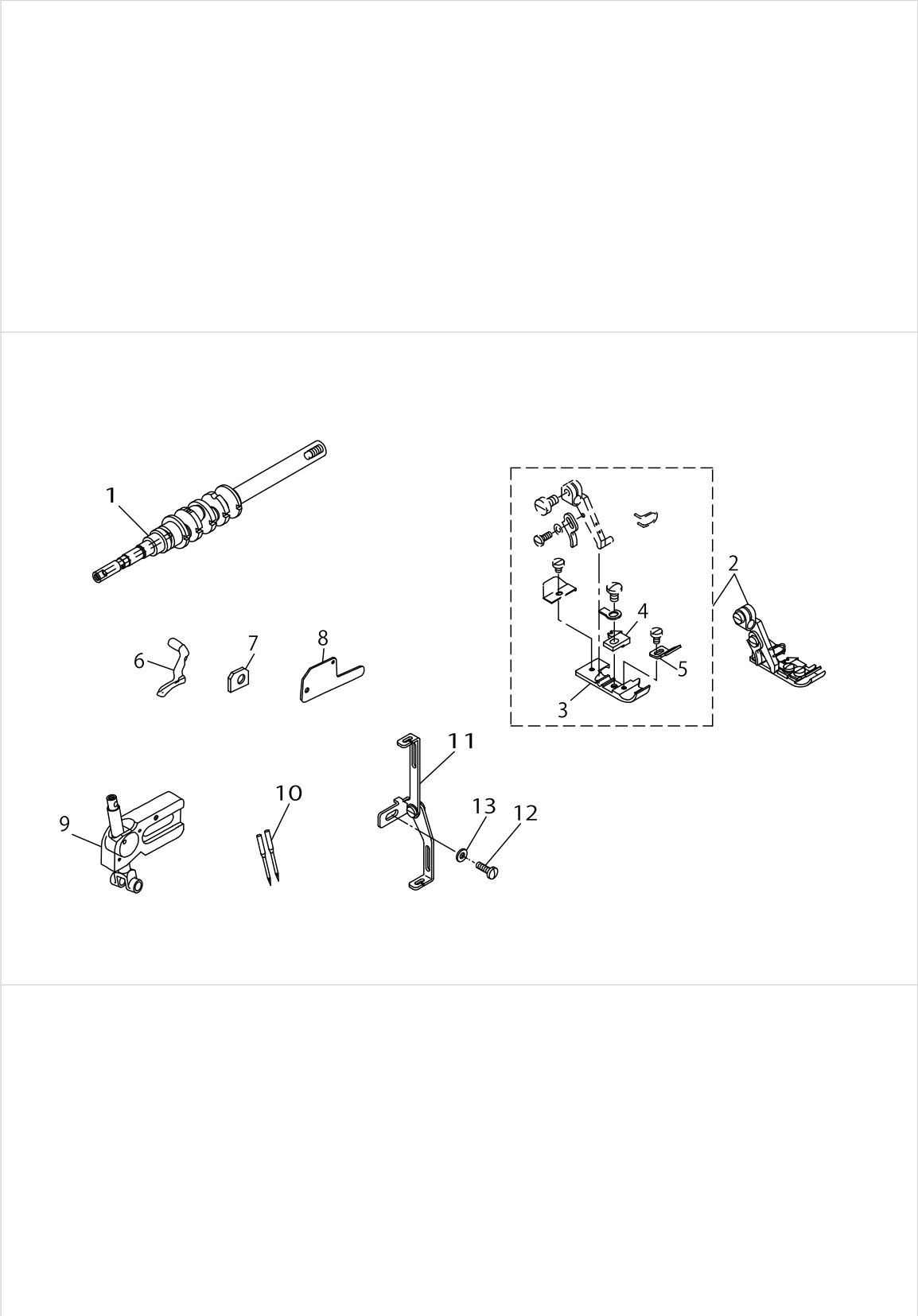
MO-3605E-0E4-41H/F/L121

No.	Parts No.	Parts name	Remarks	Level	Cons	Qty
1	11845708	KNIFE				1
2	12104659	CLOTH PLATE ASM.				1
3	12104709	CLOTH PLATE COVER				1
4	MDC270B0900	NEEDLE DCX27 #9				1
5	11992161	PRESSER FOOT ASM.				1
6	11992104	PRESSER FOOT		*		1
7	11874807	STITCH TONGUE		*		1
8	B1508804000	SPRING		*		1
9	11820701	FINGER GUARD		*		1
10	12107207	CRANKSHAFT				1
11	11991908	UPPER LOOPER				1
12	12284501	LOOPER HOLDER, B				1
13	11991809	GAUGE				1
14	12284857	THREAD TENSION SPRING JUNCTION				1



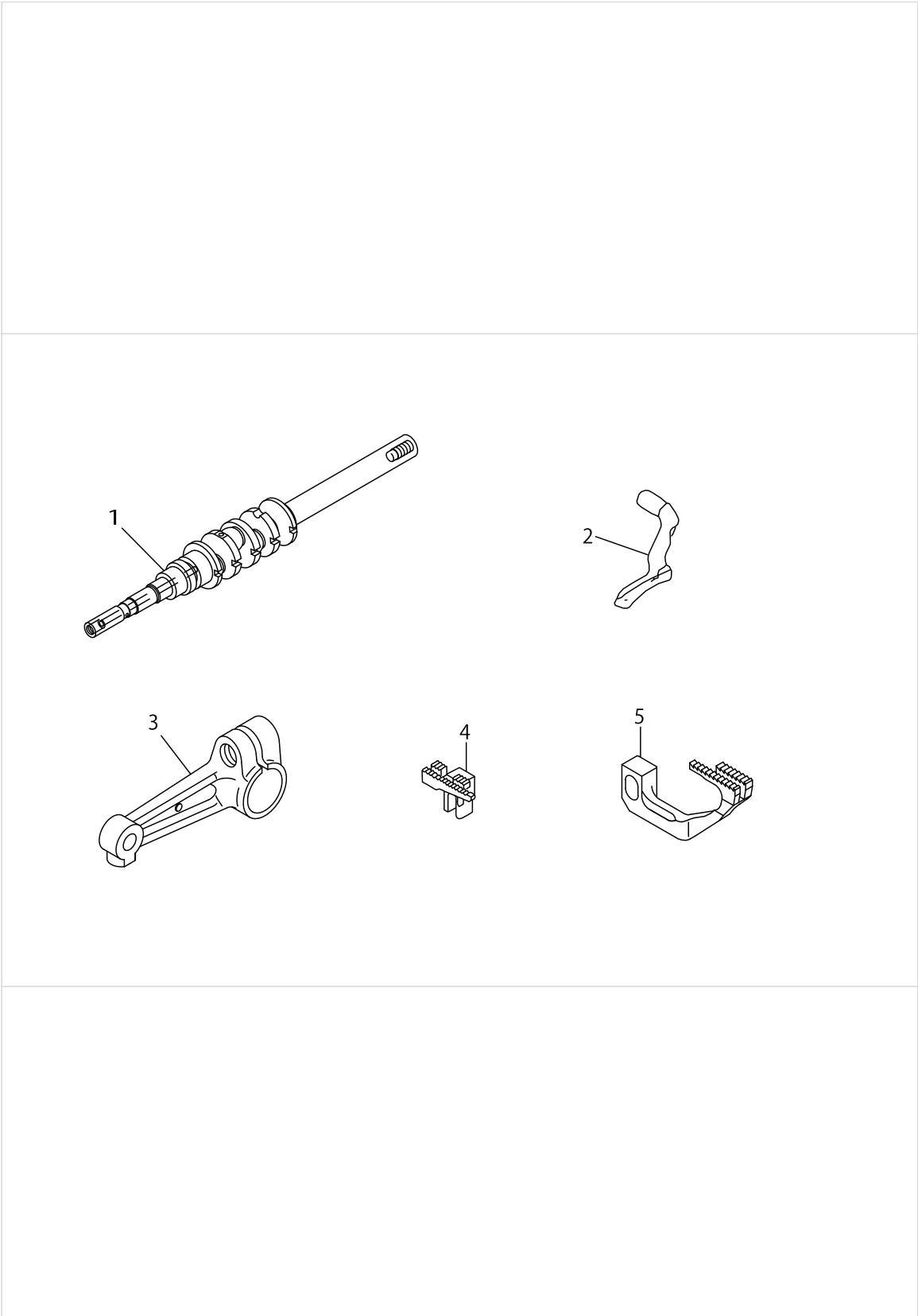
MO-3614E-BE6-20H/F

No.	Parts No.	Parts name	Remarks	Level	Cons	Qty
1	12107207	CRANKSHAFT				1
2	12176103	UPPER LOOPER				1
3	11991601	UPPER LOOPER GUIDE COVER				1
4	11991809	GAUGE				1
5	12254157	UPPER LOOPER GUIDE A ASM.				1
6	12171500	MAIN FEED DOG				1
7	12172003	DIFF,FEED DOG				1



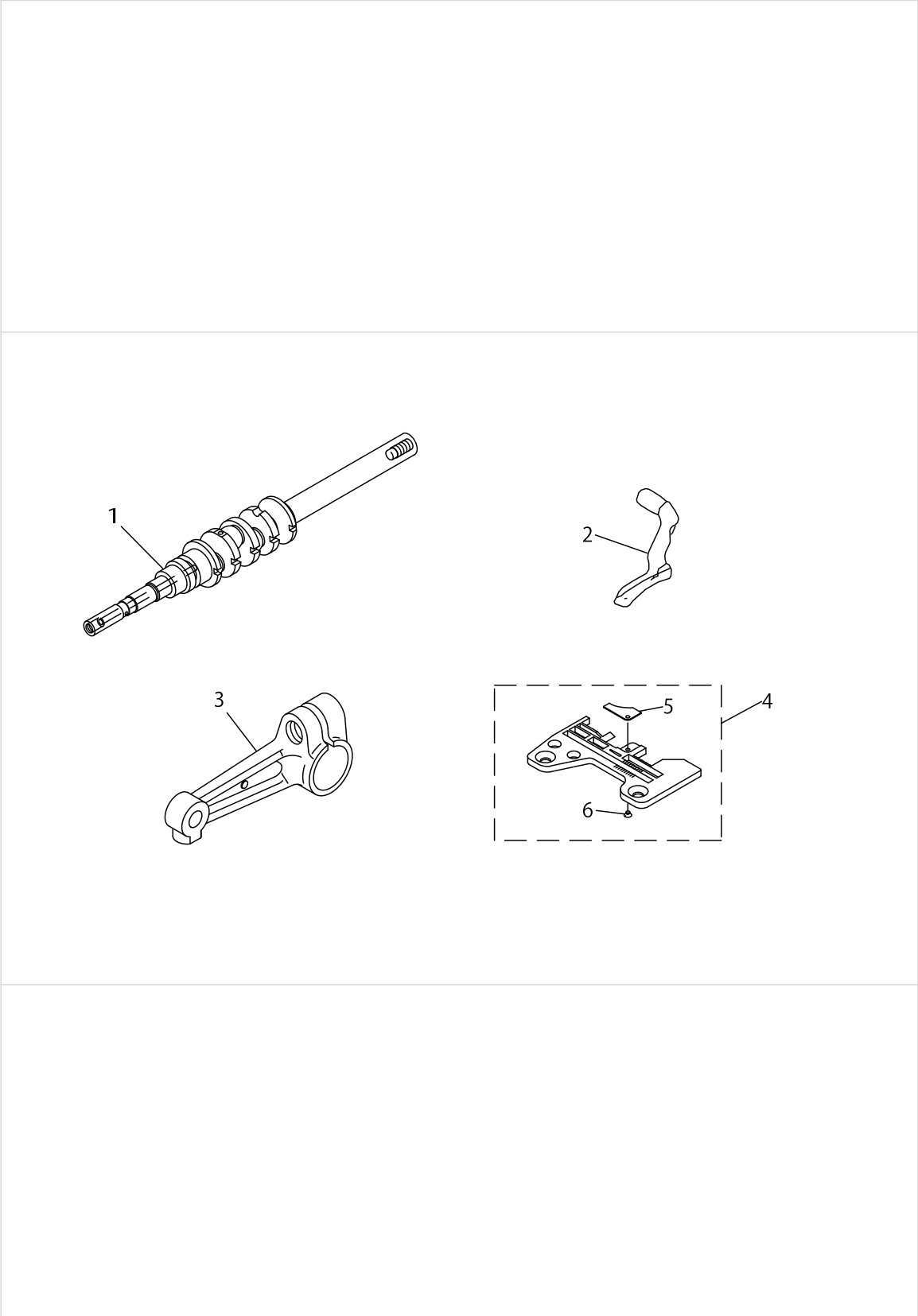
MO-3614E-BE6-44H/F/G39/Q141

No.	Parts No.	Parts name	Remarks	Level	Cons	Qty
1	12107207	CRANKSHAFT				1
2	12152963	PRESSER FOOT ASM.				1
3	12158002	PRESSER FOOT		*		1
4	12160305	STITCH TONGUE		*		1
5	12160909	TAPE GUIDE		*		1
6	12176103	UPPER LOOPER				1
7	11991809	GAUGE				1
8	11991601	UPPER LOOPER GUIDE COVER				1
9	12254157	UPPER LOOPER GUIDE A ASM.				1
10	MDC270B1400	NEEDLE DCX27 #14				2
11	MAQ141000A0	TAPE GUIDE ASM.				1
12	SS7091110TP	SCREW 9/64-40 L=10.5				1
13	WP0371016SD	WASHER 3.7X8X1				1



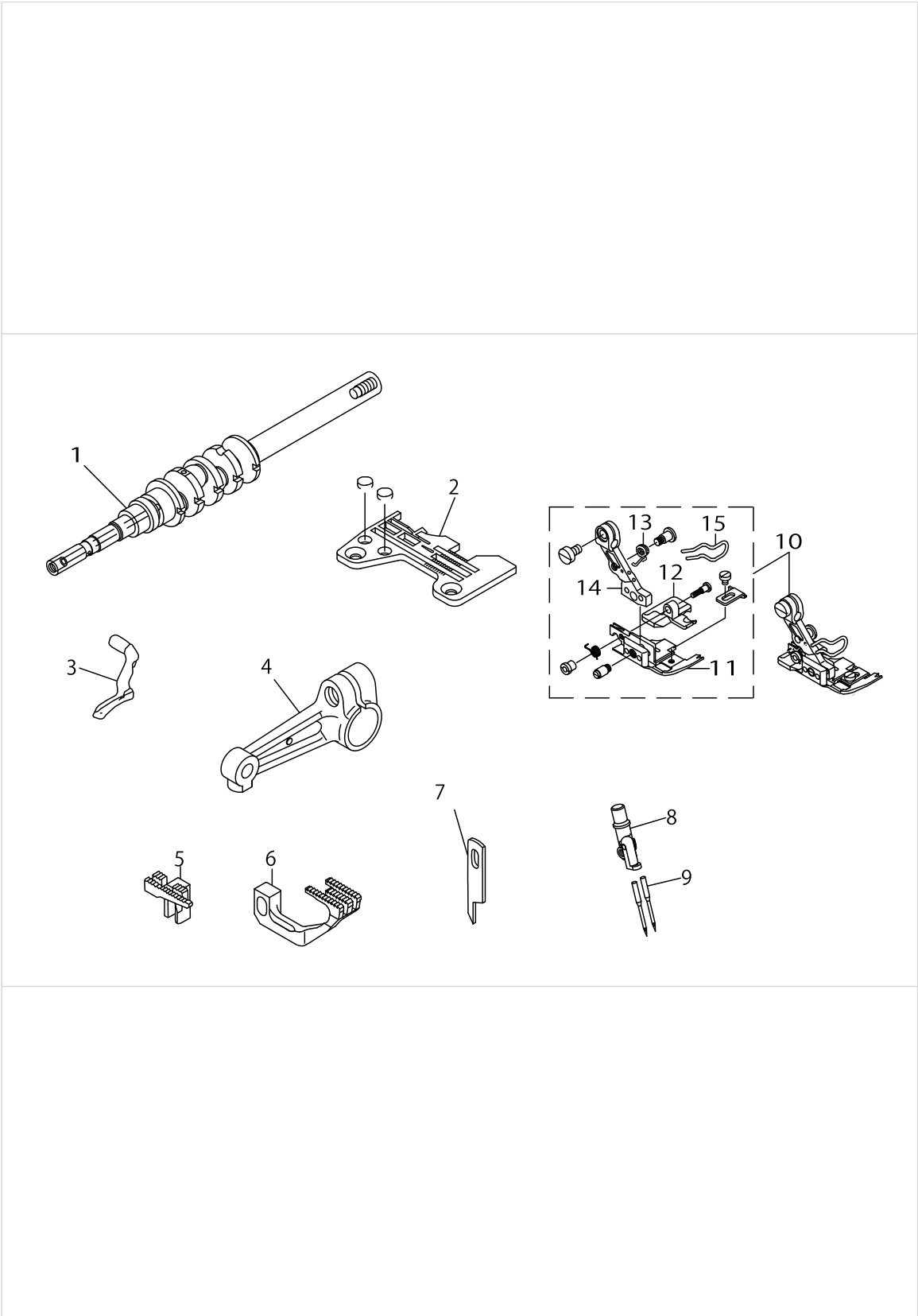
MO-3616E-DE4-20H/FH

No.	Parts No.	Parts name	Remarks	Level	Cons	Qty
1	12107207	CRANKSHAFT				1
2	11991908	UPPER LOOPER				1
3	12284501	LOOPER HOLDER, B				1
4	12171203	MAIN FEED DOG				1
5	12174108	SUB-FEED DOG				1



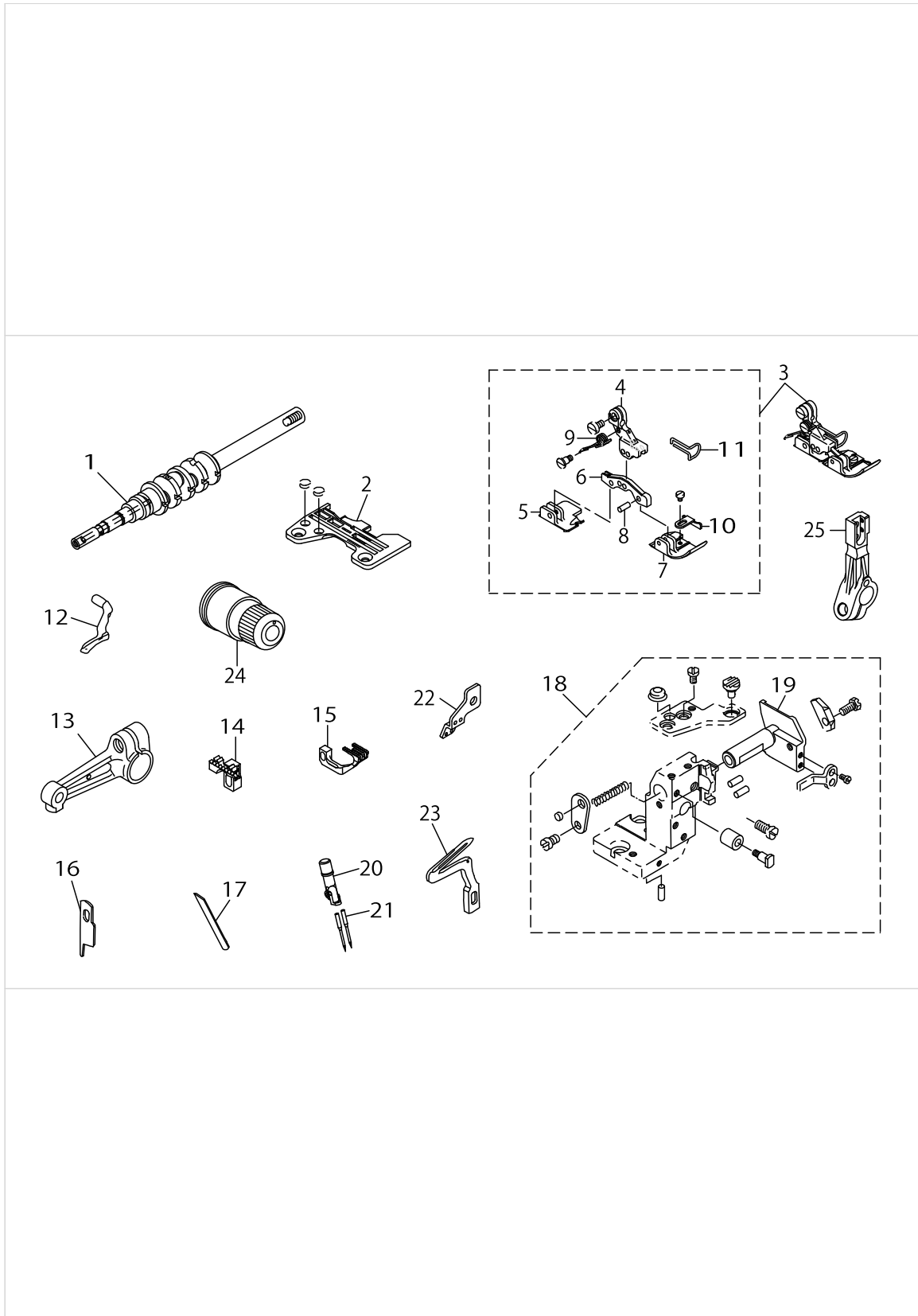
MO-3616E-DE4-40H/F/E3A

No.	Parts No.	Parts name	Remarks	Level	Cons	Qty
1	12107207	CRANKSHAFT				1
2	11991908	UPPER LOOPER				1
3	12284501	LOOPER HOLDER, B				1
4	R4508J0ED0C	THROAT PLATE				1
5	12145207	THROAT PLATE CLICK		*		1
6	SS1060210TP	SCREW 3/32-56 L=2.2		*		1



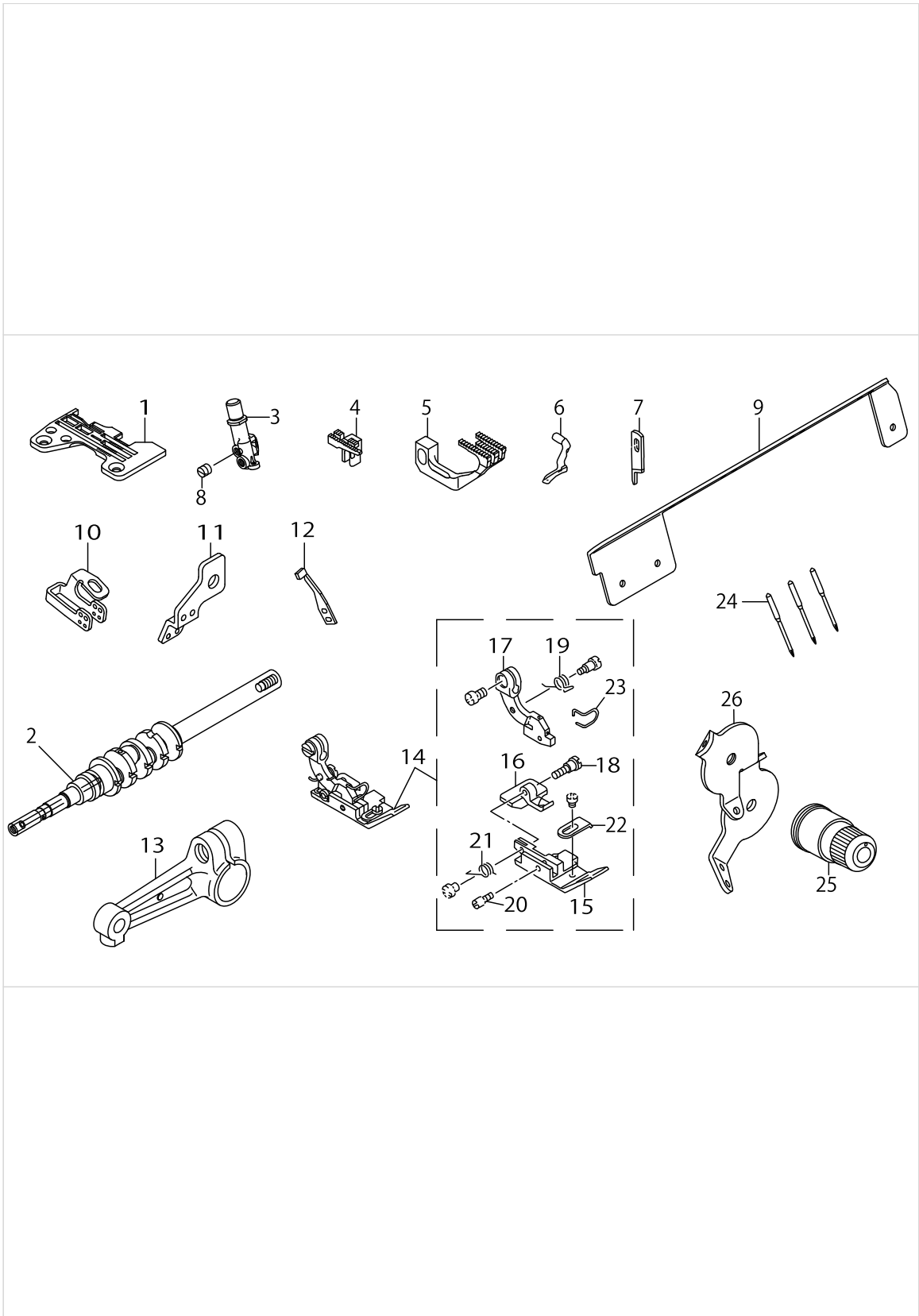
MO-3616E-FF6-40H/F

No.	Parts No.	Parts name	Remarks	Level	Cons	Qty
1	12107207	CRANKSHAFT				1
2	R4612J0FD00	THROAT PLATE				1
3	11991908	UPPER LOOPER				1
4	12284501	LOOPER HOLDER, B				1
5	11884004	MAIN FEED DOG				1
6	12173308	DIFFERENTIAL FEED DOG				1
7	11845609	KNIFE				1
8	12257507	NEEDLE CLAMP, CHAIN LOOPER				1
9	MDC270B1600	NEEDLE DCX27 #16				2
10	12154266	PRESSER FOOT ASM.				1
11	12162707	PRESSER FOOT		*		1
12	12165304	REAR PRESSER FOOT		*		1
13	12168001	PRESSER FOOT ARM SPRING, (B)		*		1
14	12157004	PRESSER FOOT HINGE		*		1
15	12168209	FINGER GUARD		*		1



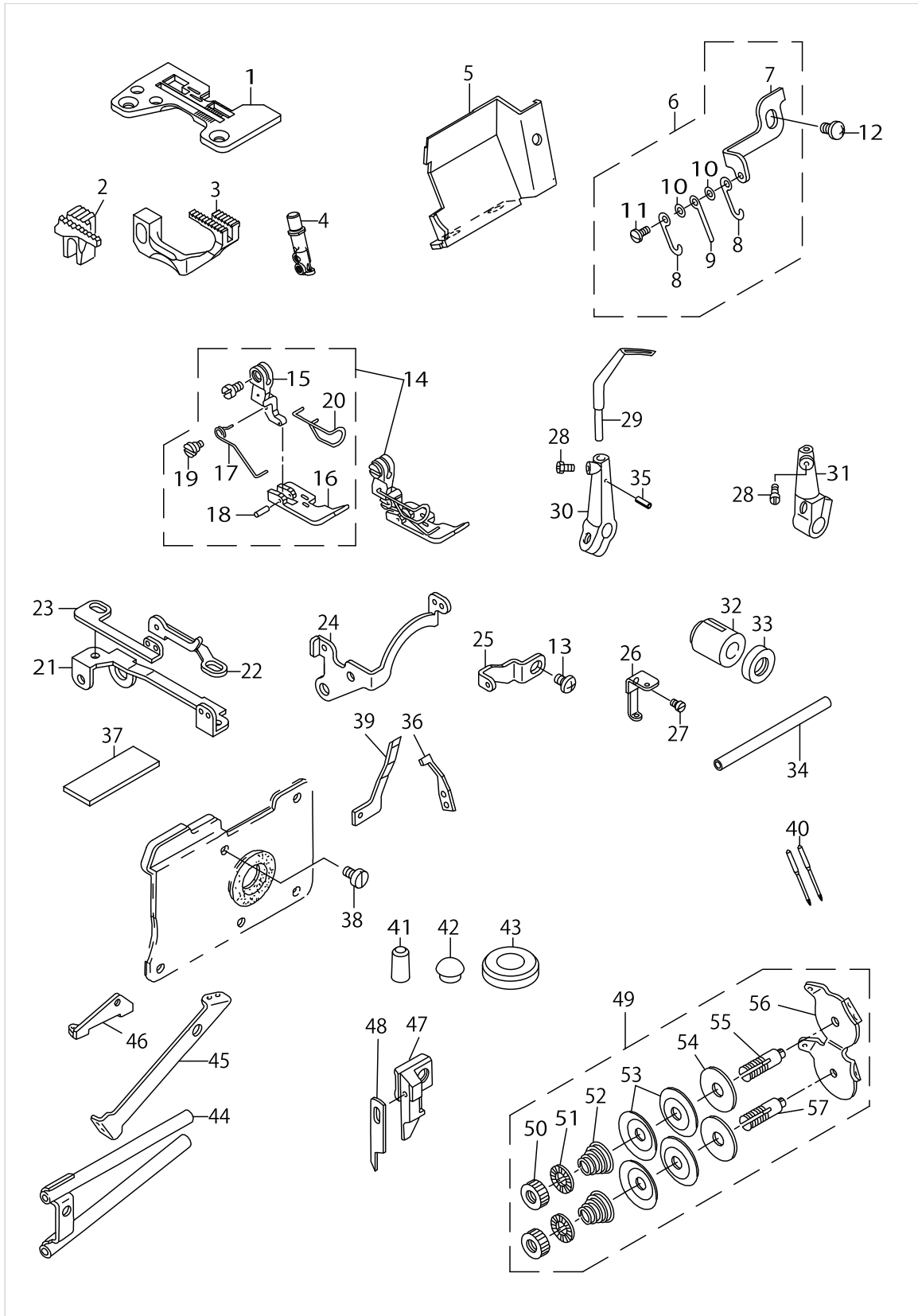
MO-3616E-FF6-60H/F

No.	Parts No.	Parts name	Remarks	Level	Cons	Qty
1	12107306	CRANKSHAFT				1
2	R4612J0HK00	THROAT PLATE				1
3	12155560	PRESSER FOOT ASM.				1
4	12157301	PRESSER FOOT HINGE ARM		*		1
5	12165908	REAR PRESSER FOOT		*		1
6	12168407	PRESSER FOOT HINGE		*		1
7	12164000	PRESSER FOOT		*		1
8	11930708	PRESSER FOOT HINGE PIN		*		3
9	12168506	PRESSER FOOT ARM SPRING		*		1
10	12168605	CLOTH GUIDE		*		1
11	12168704	FINGER GUARD		*		1
12	12176202	UPPER LOOPER				1
13	12284501	LOOPER HOLDER, B				1
14	12171104	MAIN FEED DOG				1
15	12174207	DIFFERENTIAL FEED DOG				1
16	12004909	KNIFE				1
17	11566502	LOWER KNIFE				1
18	12257465	LOWER KNIFE FITTING BASE				1
19	12133500	LOWER KNIFE SLIDE STUD		*		1
20	12150702	NEEDLE CLAMP, CHAIN LOOPER				1
21	MDC270B2100	NEEDLE DCX27 #21				2
22	12112801	TAKE-UP LEVER GUIDE				1
23	11999802	LOWER LOOPER				1
24	12255451	THREAD TENSION SPRING ASM.				2
25	12273900	LOOWER LOOPER SUPPORT ARM				1

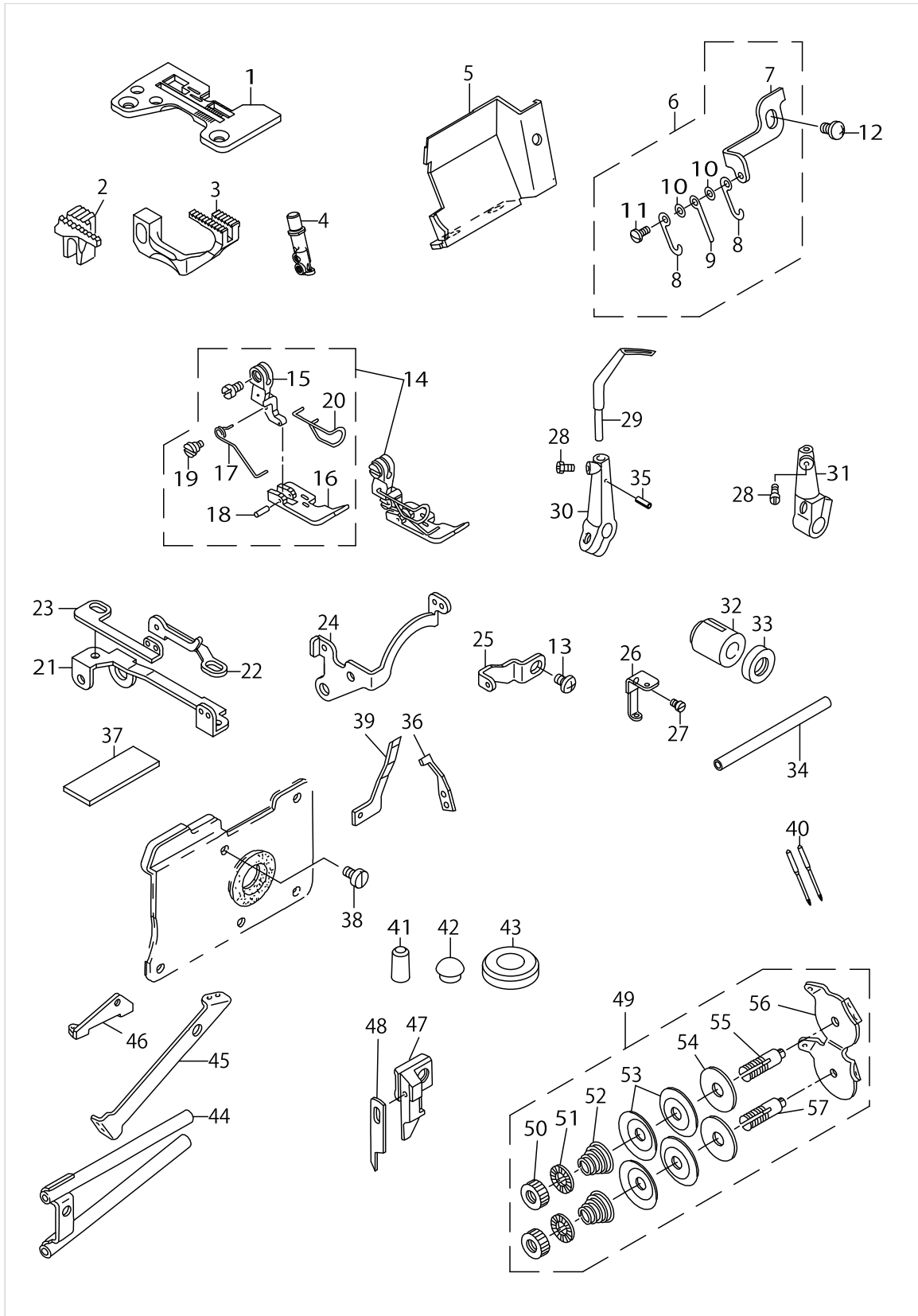


MO-3643E-FBD6-40H/F

No.	Parts No.	Parts name	Remarks	Level	Cons	Qty
1	R4612J0DE01	THROAT PLATE				1
2	12107207	CRANKSHAFT				1
3	12275004	NEEDLE CLAMP CHAIN LOOPER.				1
4	11884004	MAIN FEED DOG				1
5	12173308	DIFFERENTIAL FEED DOG				1
6	12176004	UPPER LOOPER				1
7	11845609	KNIFE				3
8	SS8080310TP	SCREW 1/8-44 L=2.8				1
9	12274304	THREAD GUIDE(43)				1
10	12146403	NEEDLE THREAD GUIDE, 3-NEEDLE				1
11	12281804	TAKE-UP LEVER GUIDE, 2-NEEDLE				1
12	11999406	NEEDLE HOLDER				1
13	12284501	LOOPER HOLDER, B				1
14	11878063	PRESSER FOOT ASM.				1
15	B1507843F00	PRESSER FOOT		*		1
16	11875507	REAR PRESSER FOOT		*		1
17	11872207	PRESSER FOOT HINGE		*		1
18	B1511816000	HINGE SCREW		*		1
19	B151581600B	PRESSER FOOT ARM SPRING B		*		1
20	B1510816000	HINGE PIN		*		1
21	B1512816000	SPRING, FOR REAR PRESSER FOOT		*		1
22	B1530816D00	AUXILIARY STOPPER		*		1
23	11820800	FINGER GUARD		*		1
24	MDC270B1100	NEEDLE DCX27 #11				3
25	12284758	THREAD TENSION SPRING JUNCTION				1
26	12255108	THREAD GUIDE				1



No.	Parts No.	Parts name	Remarks	Level	Cons	Qty
1	R4808J0DE00	THROAT PLATE				1
2	11884202	MAIN FEED DOG				1
3	12173803	DIFFERENTIAL FEED DOG				1
4	12275103	NEEDLE CLAMP CHAIN LOOPER.				1
5	12275301	CLOTH WASTE COVER				1
6	12145652	CHAIN LOOPER THREAD TAKE-UP				1
7	12145702	THREAD TAKE-UP FITTING BASE		*		1
8	B1427816000	NEEDLE THREAD TAKE-UP LEVER A		*		2
9	B1428816000	NEEDLE THREAD TAKE-UP LEVER B		*		1
10	WP0250516SD	WASHER 2.5X6X0.5		*		2
11	SS7060510SP	SCREW 3/32-56 L=4.8		*		1
12	SM4040655SP	SCREW M4 L=6				1
13	SS4110515SP	SCREW 11/64-40 L=5				1
14	11881661	PRESSER FOOT ASM.				1
15	11872405	PRESSER FOOT HINGE		*		1
16	11873601	PRESSER FOOT		*		1
17	11892106	PRESSER SPRING		*		1
18	B1511357000	PIN		*		1
19	SD0370401SP	HINGE SCREW D= 3.70 H= 4.0		*		1
20	11894706	FINGER GUARD		*		1
21	12146007	THREAD GUIDE BASE				1
22	12146106	THREAD GUIDE A				1
23	12146205	THREAD GUIDE B				1
24	12146304	THREAD GUIDE				1
25	12145801	CHAIN LOOPER THREAD GUIDE				1
26	12145900	NEEDLE THREAD GUIDE				1
27	SS6060340SP	SCREW 3/32-56 L= 2.5				1
28	SS9090610TP	SCREW 9/64-40 L=5.5				2
29	11999604	DOUBLE-RING LOOPER				2
30	B211784500A	CHAIN LOOPER SUPPORT ARM A				1
31	B211784500B	CHAIN LOOPER SUPPORT ARM B				1
32	B2110845000	BUSHING, FRONT				1
33	B2121845000	OIL SEAL				1
34	B2109816000	CHAIN LOOPER SHAFT				1
35	PS0200062KH	SPRING PIN 2X6				1
36	11891009	NEEDLE GUARD				1
37	B2528845000	CHIP GUARD PLATE				1
38	SS6090630SP	SCREW 9/64-40 L=6				1
39	11890902	NEEDLE GUARD				1
40	MDC270B1400	NEEDLE DCX27 #14				2
41	TA0290601M0	PLUG D=2.9X3.2 L=6				1
42	TA0570301M0	PLUG D=5.7X6.1 L=3				1
43	TA1701002R0	RUBBER PLUG				1
44	11893054	LOOPER THREAD GUIDE TUBE ASM.				1
45	11893104	LOOPER THREAD GUIDE TUBE GUIDE				1
46	B240284500B	LOOPER THREAD GUIDE TUBE GUIDE	FOR T039,T040			1
47	11896206	UPPER KNIFE SUPPORT				1



No.	Parts No.	Parts name	Remarks	Level	Cons	Qty
48	11845609	KNIFE				1
49	11892957	TENSION CONTROLLER ASM.				1
50	B2314019000	TENSION POST NUT		*		2
51	B3120125000	ROTATING STOPPER		*		2
52	B2017372000	TENSION SPRING NO.1		*		2
53	B3126012000	THREAD TENSION DISK		*		4
54	B3120352000	THREAD TENSION SPRING FELT		*		2
55	11550803	THREAD TENSION POST		*		1
56	11892809	THREAD GUIDE		*		1
57	11892908	THREAD TENSION POST		*		1

HOW TO MAKE USE OF THIS PARTS LIST

1.As to "#01" and "#02" refer to the "Note" given at the bottom of the respective pages.

2.Codes on the "Qty" column

- Each numeral indicates the number of parts required.
- "0.1" and "2.5" indicate the length (in meters) of the respective parts.

3.Parentheses mean that the corresponding part is a subpart that constructs an assembly part.

4.Dotted lines on the Figures indicate assembly parts.

1. リストページの# 0 1、# 0 2の印は、ページ下の"注記"の説明を参照下さい。
2. 数量欄の数字は、個数を表し、0. 1、2. 5等の数値は、長さ（単位メートル）を表します。
3. 数量欄の（ ）は、組部品を構成している子部品であることを意味します。
4. イラストページの-----枠は、組構成であることを意味します。

NUMERICAL INDEX OF PARTS

PART NO	PAGE	REF NO.	PART NO	PAGE	REF NO.	PART NO	PAGE	REF NO.
11550803	26	55	11991908	18	3	12165304	18	12
11566502	20	17	11992104	8	6	12165908	20	5
11792900	2	7	11992161	8	5	12168001	18	13
11820701	8	9	11999406	22	12	12168209	18	15
11820800	22	23	11999604	24	29	12168407	20	6
11845609	18	7	11999802	20	23	12168506	20	9
11845609	22	7	12004909	20	16	12168605	20	10
11845609	26	48	12104659	8	2	12168704	20	11
11845708	8	1	12104709	8	3	12171104	20	14
11872207	22	17	12107207	4	1	12171203	14	4
11872405	24	15	12107207	6	1	12171500	10	6
11873601	24	16	12107207	8	10	12172003	10	7
11874807	8	7	12107207	10	1	12173308	18	6
11875507	22	16	12107207	12	1	12173308	22	5
11876067	2	6	12107207	14	1	12173803	24	3
11878063	22	14	12107207	16	1	12174108	14	5
11881661	24	14	12107207	18	1	12174207	20	15
11882008	2	2	12107207	22	2	12176004	22	6
11884004	18	5	12107306	20	1	12176103	10	2
11884004	22	4	12112504	6	6	12176103	12	6
11884202	24	2	12112603	6	7	12176202	20	12
11885001	2	3	12112702	6	8	12254157	10	5
11887007	2	4	12112801	20	22	12254157	12	9
11890902	24	39	12133500	20	19	12255108	22	26
11891009	24	36	12145207	16	5	12255451	20	24
11892106	24	17	12145652	24	6	12257465	20	18
11892809	26	56	12145702	24	7	12257507	18	8
11892908	26	57	12145801	24	25	12273900	20	25
11892957	26	49	12145900	24	26	12274304	22	9
11893054	24	44	12146007	24	21	12275004	22	3
11893104	24	45	12146106	24	22	12275103	24	4
11894706	24	20	12146205	24	23	12275301	24	5
11896206	24	47	12146304	24	24	12281804	22	11
11930708	20	8	12146403	22	10	12284501	4	3
11948783	6	4	12150702	20	20	12284501	6	3
11991601	10	3	12152963	12	2	12284501	8	12
11991601	12	8	12154266	18	10	12284501	14	3
11991809	8	13	12155560	20	3	12284501	16	3
11991809	10	4	12157004	18	14	12284501	18	4
11991809	12	7	12157301	20	4	12284501	20	13
11991908	4	2	12158002	12	3	12284501	22	13
11991908	6	2	12160305	12	4	12284758	22	25
11991908	8	11	12160909	12	5	12284857	8	14
11991908	14	2	12162707	18	11	B1427816000	24	8
11991908	16	2	12164000	20	7	B1428816000	24	9

NUMERICAL INDEX OF PARTS

PART NO	PAGE	REF NO.	PART NO	PAGE	REF NO.
B1507843F00	22	15	SS9090610TP	24	28
B1508804000	8	8	TA0290601M0	24	41
B1510816000	22	20	TA0570301M0	24	42
B1511357000	24	18	TA1701002R0	24	43
B1511816000	22	18	WP0250516SD	24	10
B1512816000	22	21	WP0371016SD	12	13
B151581600B	22	19			
B1530816D00	22	22			
B2017372000	26	52			
B2109816000	24	34			
B2110845000	24	32			
B211784500A	24	30			
B211784500B	24	31			
B2121845000	24	33			
B2314019000	26	50			
B240284500B	24	46			
B2528845000	24	37			
B3120125000	26	51			
B3120352000	26	54			
B3126012000	26	53			
MAQ141000A0	12	11			
MDC100B0800	2	5			
MDC270B0900	8	4			
MDC270B1100	22	24			
MDC270B1400	12	10			
MDC270B1400	24	40			
MDC270B1600	18	9			
MDC270B2100	20	21			
PS0200062KH	24	35			
R4100J0AC00	2	1			
R4200J2ED00	6	5			
R4508J0ED0C	16	4			
R4612J0DE01	22	1			
R4612J0FD00	18	2			
R4612J0HK00	20	2			
R4808J0DE00	24	1			
SD0370401SP	24	19			
SM4040655SP	24	12			
SS1060210TP	16	6			
SS4110515SP	24	13			
SS6060340SP	24	27			
SS6090630SP	24	38			
SS7060510SP	24	11			
SS7091110TP	12	12			
SS8080310TP	22	8			