

MODEL : MO-3600 SUBCLASSES/MO-3604/MO-3605/MO-3614/MO-3616/  
MO-3643/MO-3645  
List No : 1100-03

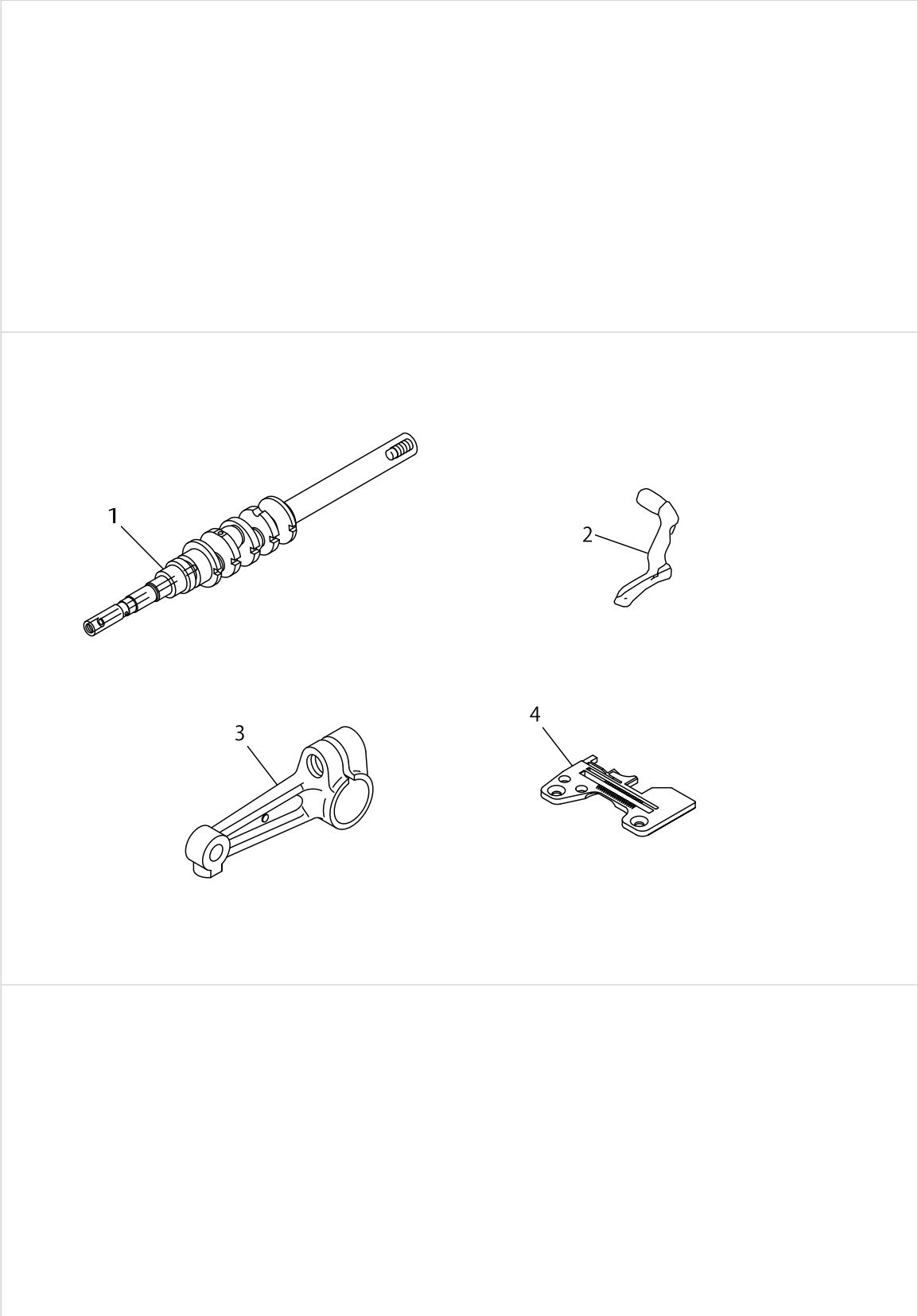
# PARTS LIST

Published:09/10/2017

## CONTENTS

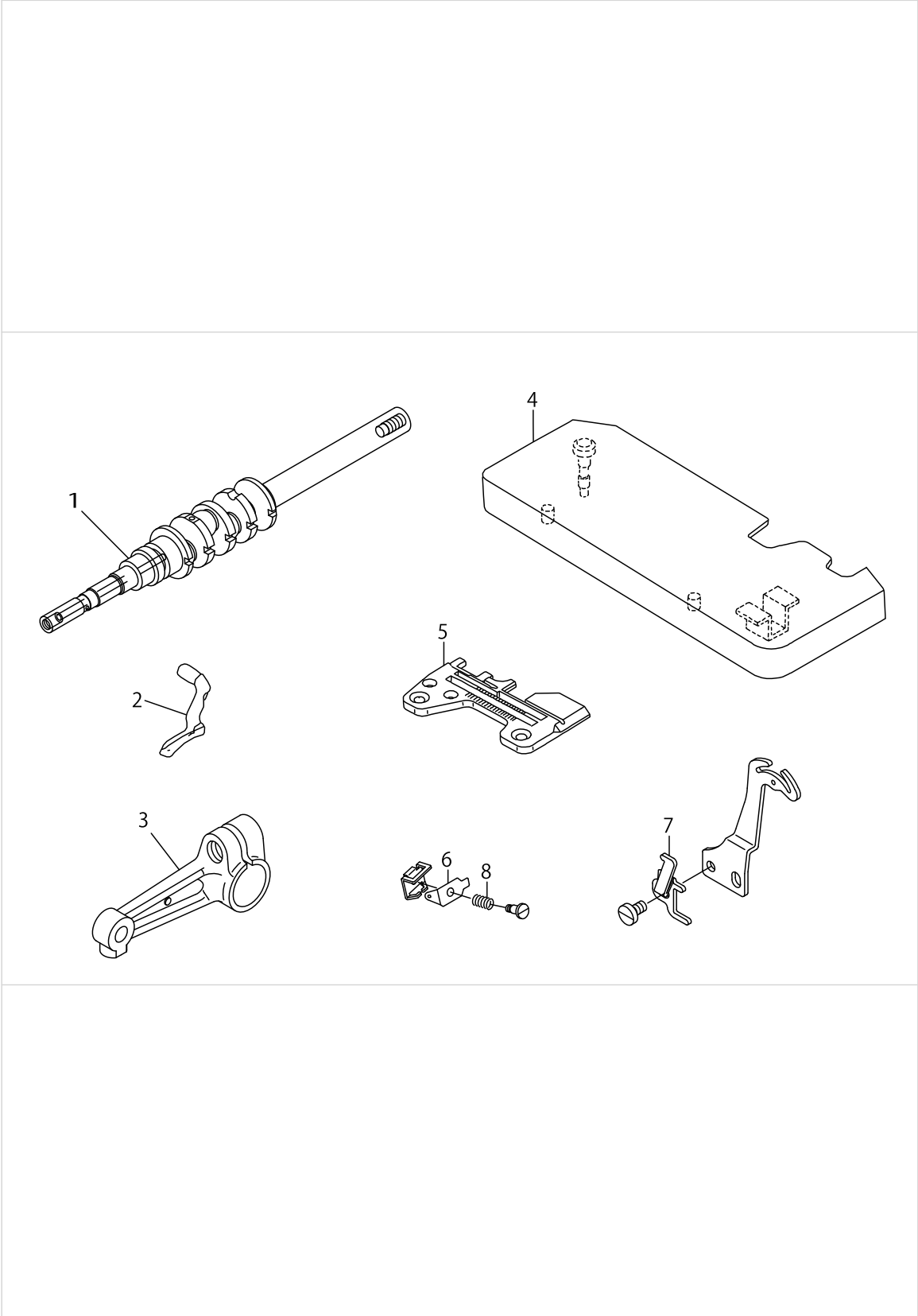
---

MO-3604-0E4-40H,MO-3604E-0E4-40H.....	1
MO-3604A-0E4-40H/Z173,MO-3604B-0E4-40H/Z173.....	3
MO-3614-BE6-20H,MO-3614E-BE6-20H.....	5
MO-3614-BE6-40H,MO-3614E-BE6-40H.....	7
MO-3616-DE4-20H,MO-3616E-DE4-20H.....	9
MO-3616-DE4-40H,MO-3616E-DE4-40H.....	11
MO-3616-FF6-40H,MO-3616E-FF6-40H.....	13
MO-3616-FF6-50H, MO-3616E-FF6-50H, MO-3616-FH6-50H, MO-3616E-FH6-50H.....	15
MO-3616-FH6-60H,MO-3616E-FH6-60H.....	17
MO-3643-FBD6-40H,MO-3643E-FBD6-40H.....	19
MO-3604-0A5-150,MO-3604E-0A5-150.....	21
MO-3605-0E4-41H/L121,MO-3605E-0E4-41H/L121.....	23
MO-3605-0E4-210/L121,MO-3605E-210/L121.....	25
MO-3614-BE6-44H/G-38/Q141,MO-3614E-BE6-44H/G-39/Q141.....	27
MO-3645-DD4-360/N077,MO-3645E-DD4-360/N077.....	29
LIST FOR INFORMATION OF CHANGE.....	33
HOW TO MAKE USE OF THIS PARTS LIST.....	34



MO-3604-0E4-40H,MO-3604E-0E4-40H

No.	Parts No.	Parts name	Remarks	Level	Cons	Qty
1	12107207	CRANKSHAFT				1
2	11991908	UPPER LOOPER				1
3	12284501	LOOPER HOLDER, B				1
4	R4200J6ED00	THROAT PLATE	FOR JSP			1



## MO-3604A-0E4-40H/Z173,MO-3604B-0E4-40H/Z173

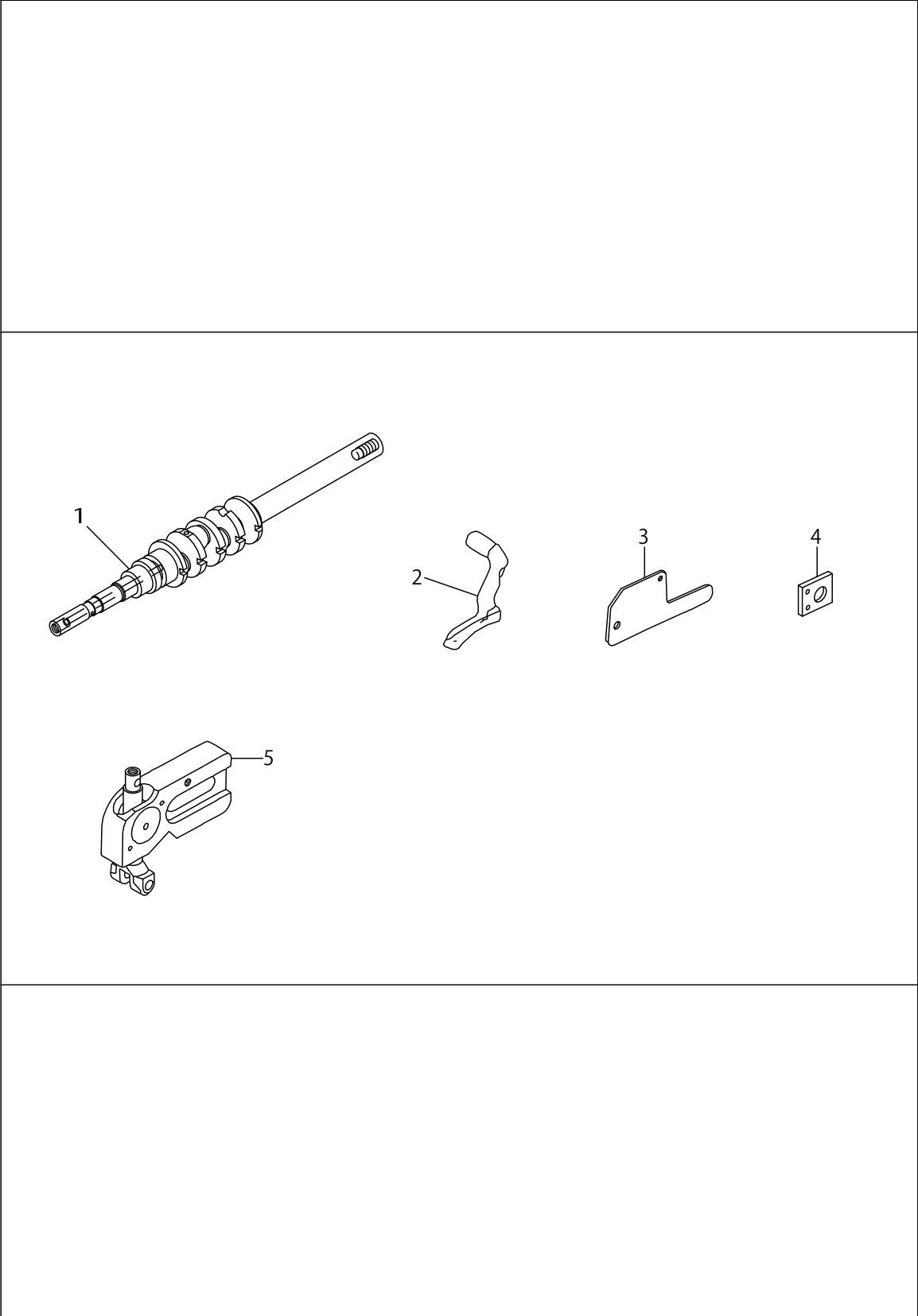
No.	Parts No.	Parts name	Remarks	Level	Cons	Qty
1	12107207	CRANKSHAFT				1
2	11991908	UPPER LOOPER				1
3	12284501	LOOPER HOLDER, B				1
4	11948783	CLOTH PLATE ASM.				1
5	R4200J2ED00	THROAT PLATE				1
6	12112504	NEEDLE THREAD PRESSER PLATE C				1
7	12112603	DIFFERENTIAL FEED CAM				1
8	12112702	NEEDLE THREAD PRESSER SPRING B				1



MO-3614-BE6-20H,MO-3614E-BE6-20H

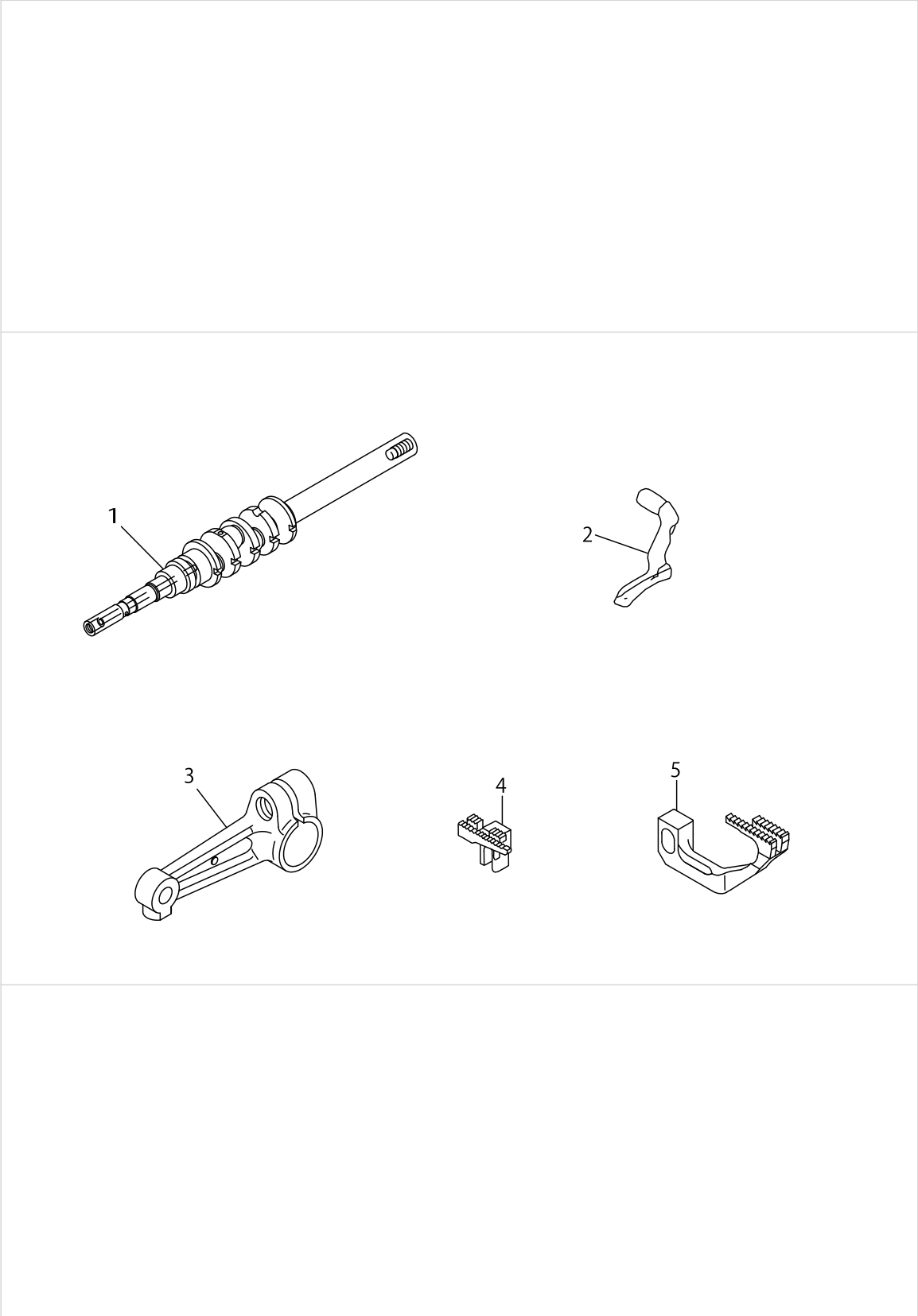
No.	Parts No.	Parts name	Remarks	Level	Cons	Qty
1	12107207	CRANKSHAFT				1
2	12176103	UPPER LOOPER				1
3	11991601	UPPER LOOPER GUIDE COVER				1
4	11991809	GAUGE				1
5	12254157	UPPER LOOPER GUIDE A ASM.				1
6	12171500	MAIN FEED DOG				1
7	12172003	DIFF,FEED DOG				1





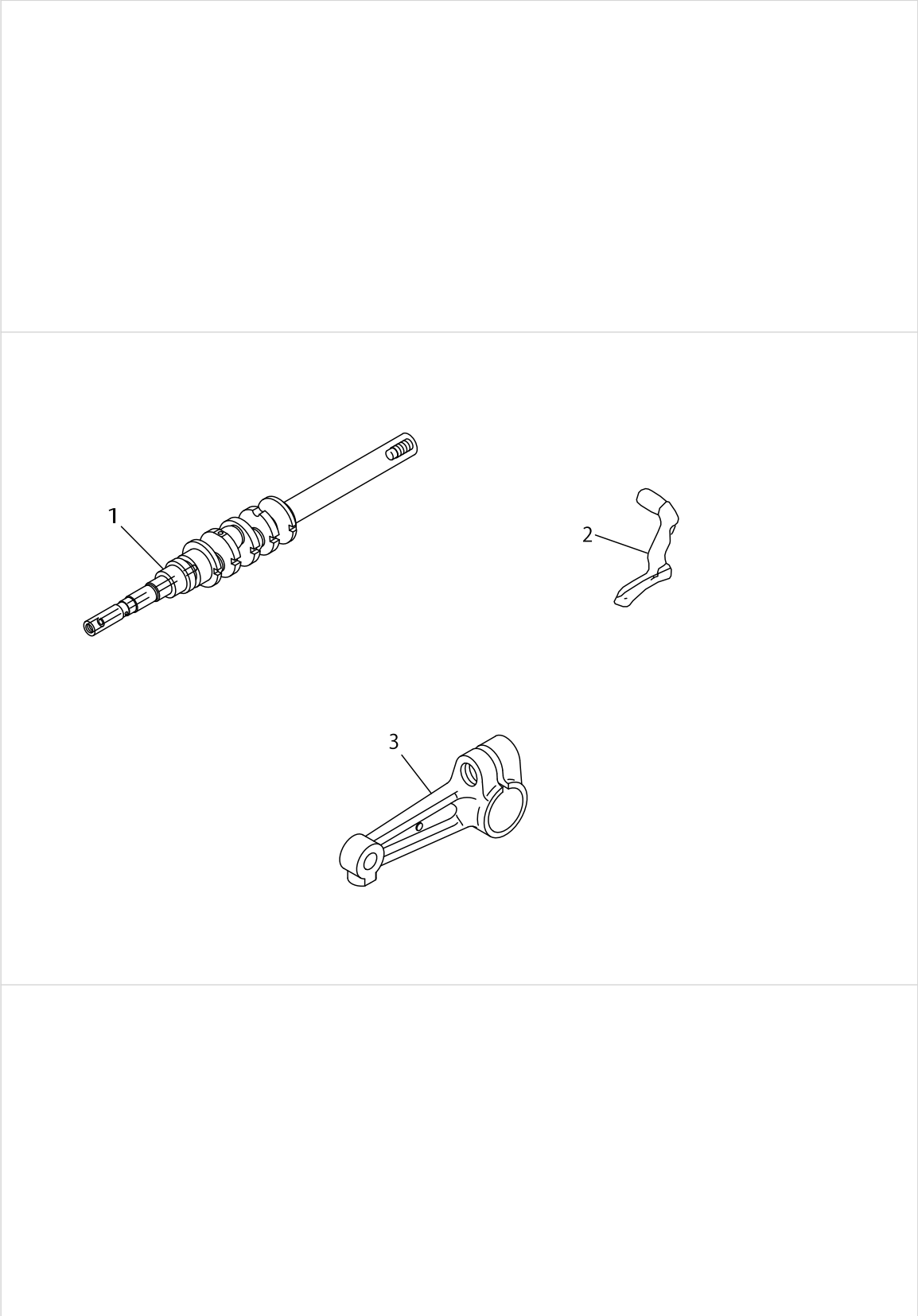
MO-3614-BE6-40H,MO-3614E-BE6-40H

No.	Parts No.	Parts name	Remarks	Level	Cons	Qty
1	12107207	CRANKSHAFT				1
2	12176103	UPPER LOOPER				1
3	11991601	UPPER LOOPER GUIDE COVER				1
4	11991809	GAUGE				1
5	12254157	UPPER LOOPER GUIDE A ASM.				1



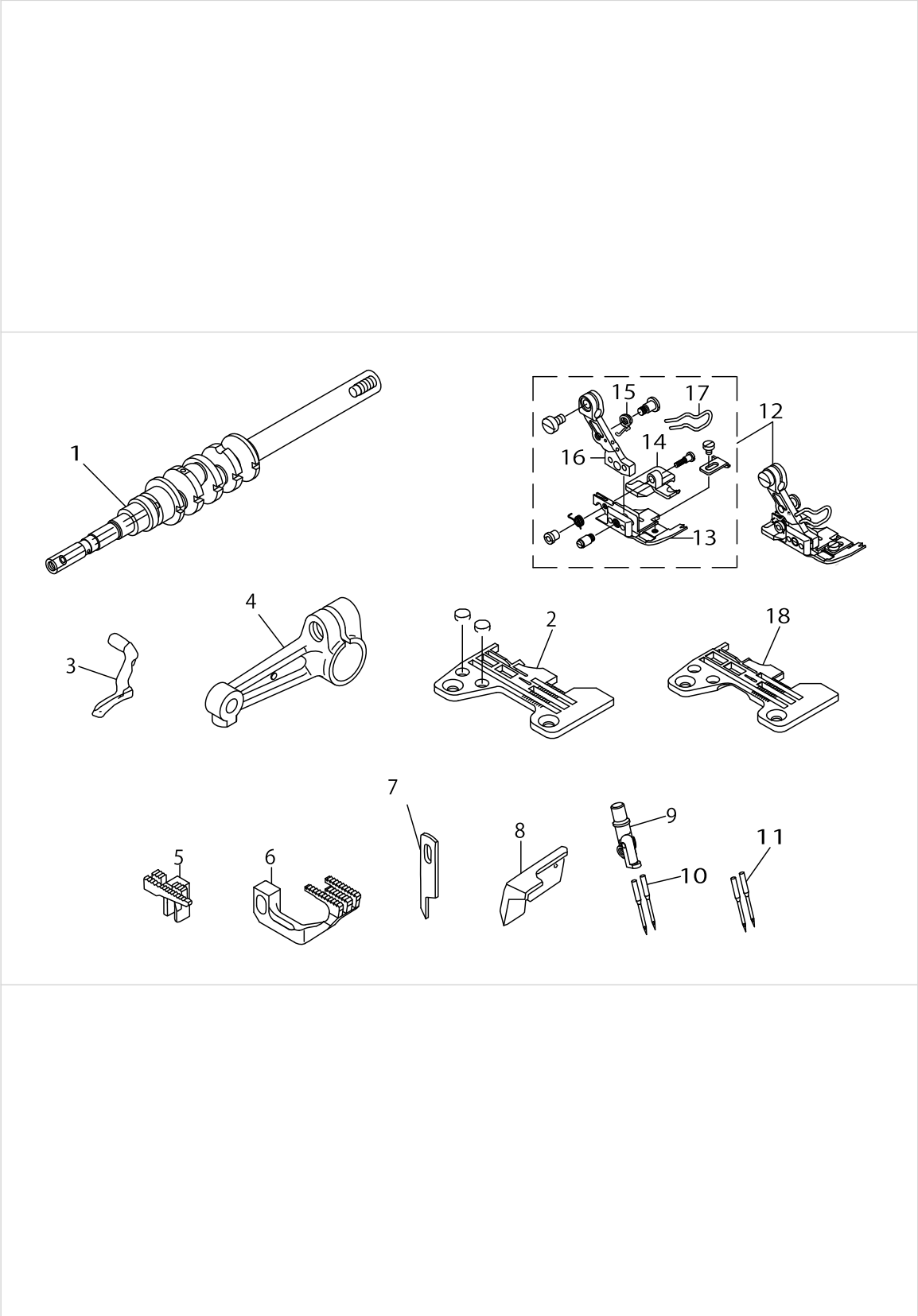
MO-3616-DE4-20H,MO-3616E-DE4-20H

No.	Parts No.	Parts name	Remarks	Level	Cons	Qty
1	12107207	CRANKSHAFT				1
2	11991908	UPPER LOOPER				1
3	12284501	LOOPER HOLDER, B				1
4	12171203	MAIN FEED DOG				1
5	12174108	SUB-FEED DOG				1



MO-3616-DE4-40H,MO-3616E-DE4-40H

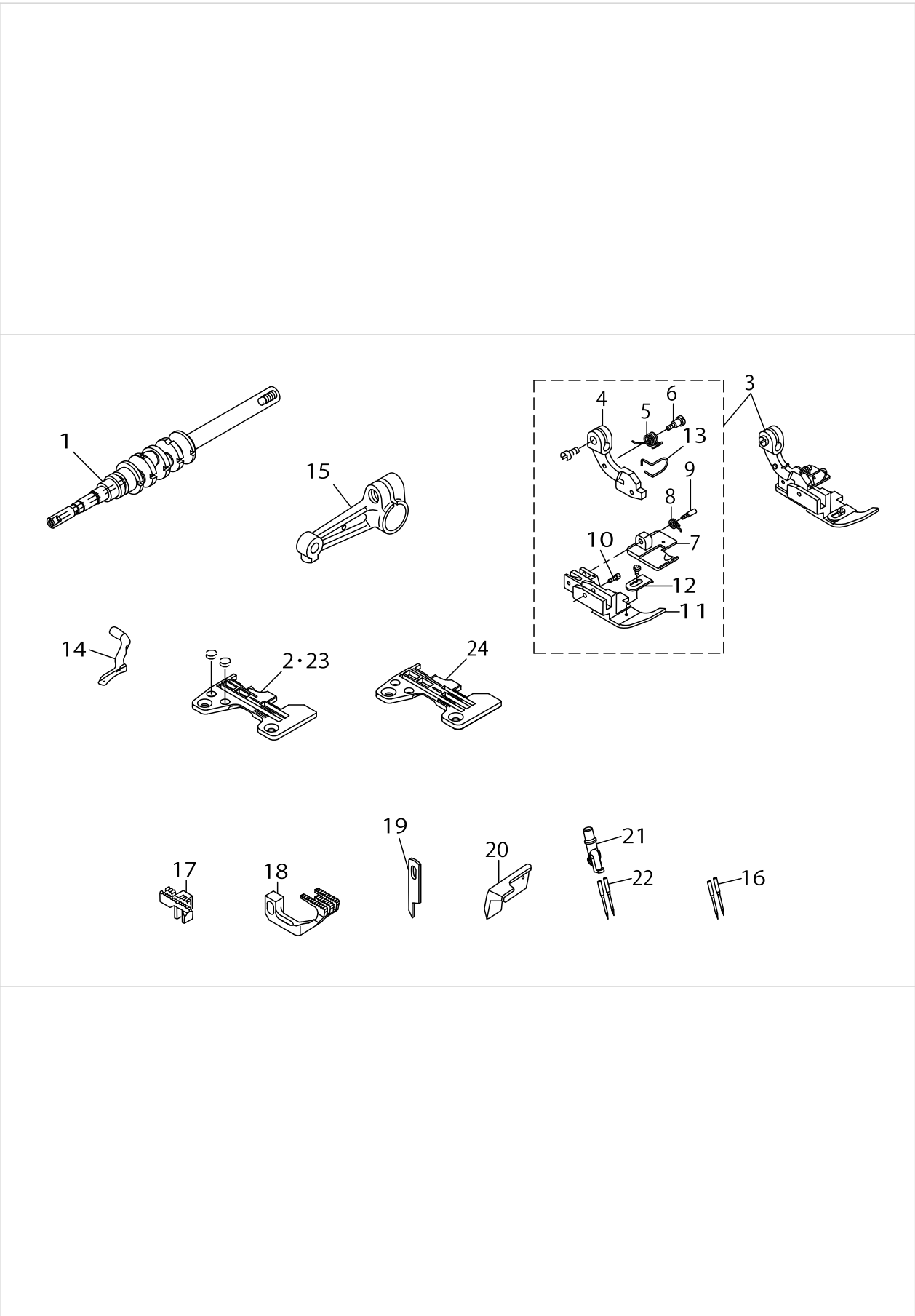
No.	Parts No.	Parts name	Remarks	Level	Cons	Qty
1	12107207	CRANKSHAFT				1
2	11991908	UPPER LOOPER				1
3	12284501	LOOPER HOLDER, B				1



## MO-3616-FF6-40H,MO-3616E-FF6-40H

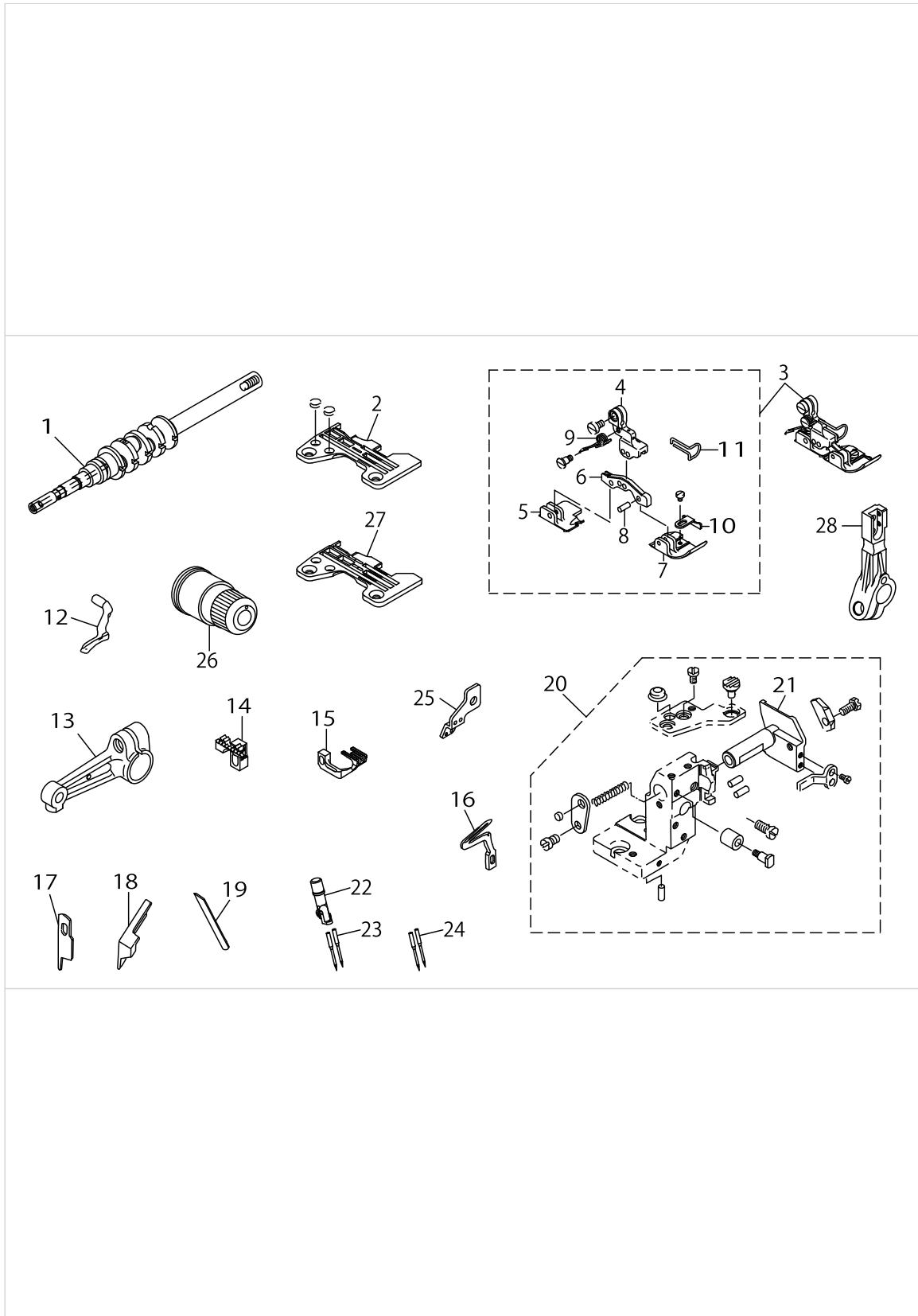
No.	Parts No.	Parts name	Remarks	Level	Cons	Qty
1	12107207	CRANKSHAFT				1
2	R4612J0FD00	THROAT PLATE				1
3	11991908	UPPER LOOPER				1
4	12284501	LOOPER HOLDER, B				1
5	11884004	MAIN FEED DOG				1
6	12173308	DIFFERENTIAL FEED DOG				1
7	11845609	KNIFE	FOR JAPAN			1
8	11845807	UPPER KNIFE	FOR EXPORT			1
9	12257507	NEEDLE CLAMP, CHAIN LOOPER				1
10	MDC270B1600	NEEDLE DCX27 #16				2
11	MC033601000	NEEDLE B-27 NM100	FOR JE			2
12	12154266	PRESSER FOOT ASM.				1
13	12162707	PRESSER FOOT		*		1
14	12165304	REAR PRESSER FOOT		*		1
15	12168001	PRESSER FOOT ARM SPRING, (B)		*		1
16	12157004	PRESSER FOOT HINGE		*		1
17	12168209	FINGER GUARD		*		1
18	R4612J6FD00	THROAT PLATE	FOR JSP			1





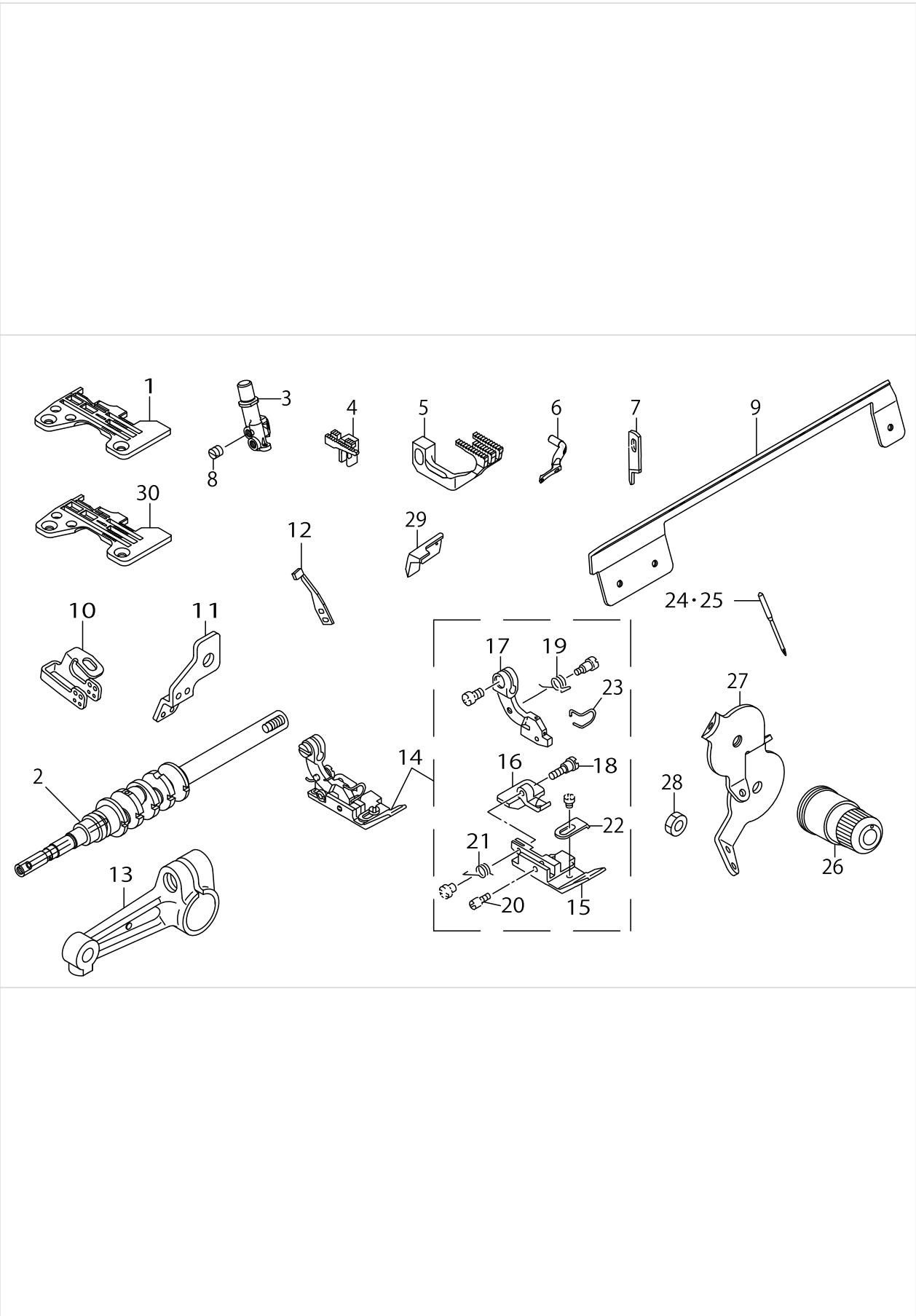
MO-3616-FF6-50H, MO-3616E-FF6-50H, MO-3616-FH6-50H, MO-3616E-FH6-50H

No.	Parts No.	Parts name	Remarks	Level	Cons	Qty
1	12107207	CRANKSHAFT				1
2	R4612J0FF00	THROAT PLATE	FOR FF6			1
3	11991189	PRESSER FOOT ASM.				1
4	11991015	PRESSER FOOT HINGE		*		1
5	B151581600B	PRESSER FOOT ARM SPRING B		*		1
6	B1514816000	SCREW		*		1
7	11991205	REAR PRESSER FOOT		*		1
8	11991304	SPRING		*		1
9	11930807	HINGE PIN		*		1
10	11993508	PRESSER FOOT HINGE PIN		*		1
11	11991114	HINGED TYPE PRESSER FOOT		*		1
12	B1530816D00	AUXILIARY STOPPER		*		1
13	11820800	FINGER GUARD		*		1
14	11991908	UPPER LOOPER				1
15	12284501	LOOPER HOLDER, B				1
16	MC033601000	NEEDLE B-27 NM100	FOR JE			2
17	11883006	MAIN FEED DOG				1
18	12173506	DIFFERENTIAL FEED DOG				1
19	11845609	KNIFE	FOR JAPAN			1
20	11845807	UPPER KNIFE	FOR EXPORT			1
21	12257507	NEEDLE CLAMP, CHAIN LOOPER				1
22	MDC270B1600	NEEDLE DCX27 #16				2
23	R4612J0HG00	THROAT PLATE	FOR FH6			1
24	R4612J6FF00	THROAT PLATE	FOR JSP			1



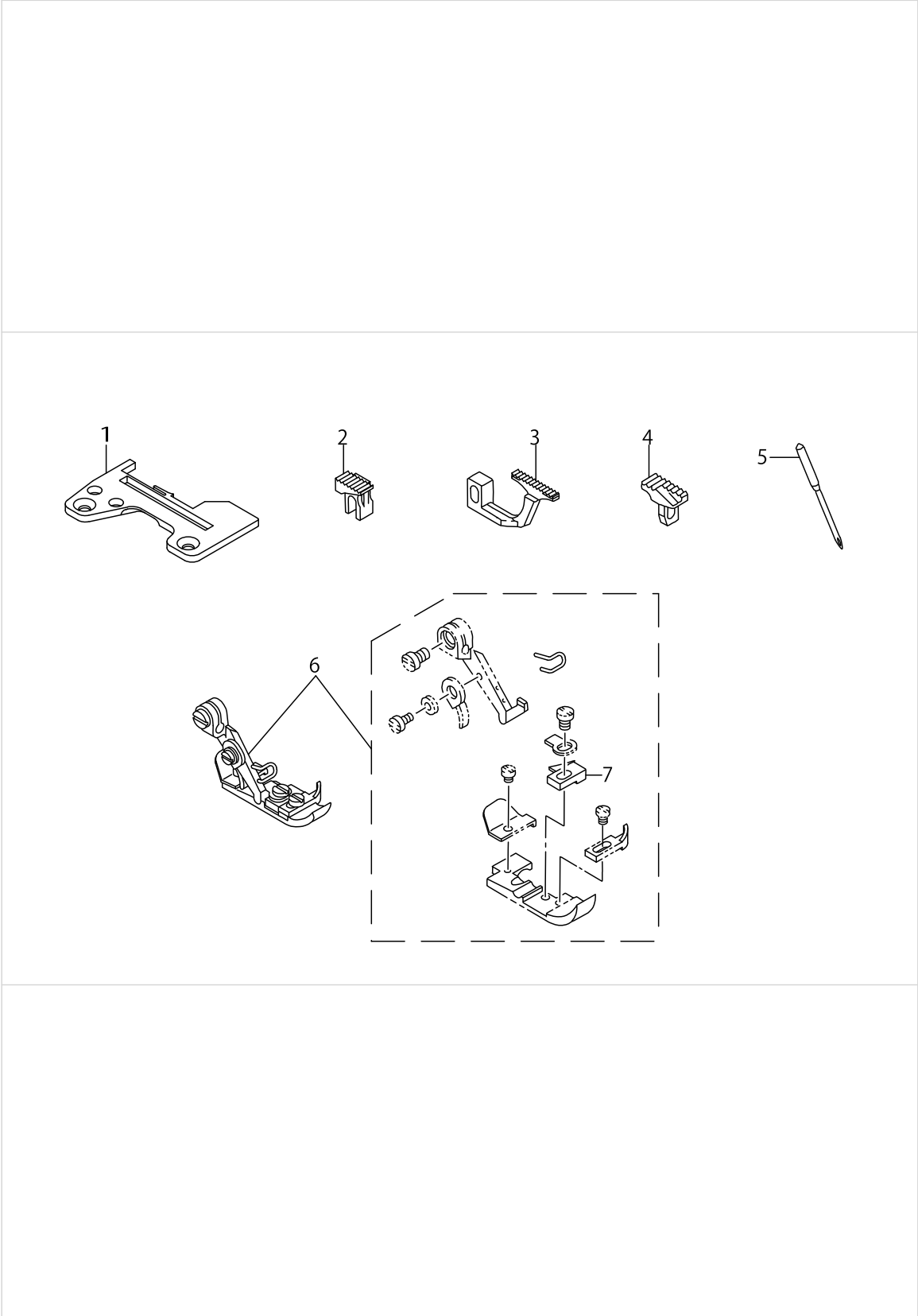
## MO-3616-FH6-60H,MO-3616E-FH6-60H

No.	Parts No.	Parts name	Remarks	Level	Cons	Qty
1	12107306	CRANKSHAFT				1
2	R4612J0HK00	THROAT PLATE				1
3	12155560	PRESSER FOOT ASM.				1
4	12157301	PRESSER FOOT HINGE ARM		*		1
5	12165908	REAR PRESSER FOOT		*		1
6	12168407	PRESSER FOOT HINGE		*		1
7	12164000	PRESSER FOOT		*		1
8	11930708	PRESSER FOOT HINGE PIN		*		3
9	12168506	PRESSER FOOT ARM SPRING		*		1
10	12168605	CLOTH GUIDE		*		1
11	12168704	FINGER GUARD		*		1
12	12176202	UPPER LOOPER				1
13	12284501	LOOPER HOLDER, B				1
14	12171104	MAIN FEED DOG				1
15	12174207	DIFFERENTIAL FEED DOG				1
16	11999802	LOWER LOOPER				1
17	12004909	KNIFE	FOR JAPAN			1
18	11565900	UPPER KNIFE	FOR EXPORT			1
19	11566502	LOWER KNIFE				1
20	12257465	LOWER KNIFE FITTING BASE				1
21	12133500	LOWER KNIFE SLIDE STUD		*		1
22	12150702	NEEDLE CLAMP, CHAIN LOOPER				1
23	MDC270B2100	NEEDLE DCX27 #21				2
24	MC033601300	NEEDLE B-27 NM130	FOR JE			2
25	12112801	TAKE-UP LEVER GUIDE				1
26	12255451	THREAD TENSION SPRING ASM.				2
27	R4612J6HK00	THROAT PLATE	FOR JSP			1
28	12273900	LOWER LOOPER SUPPORT ARM				1



MO-3643-FBD6-40H,MO-3643E-FBD6-40H

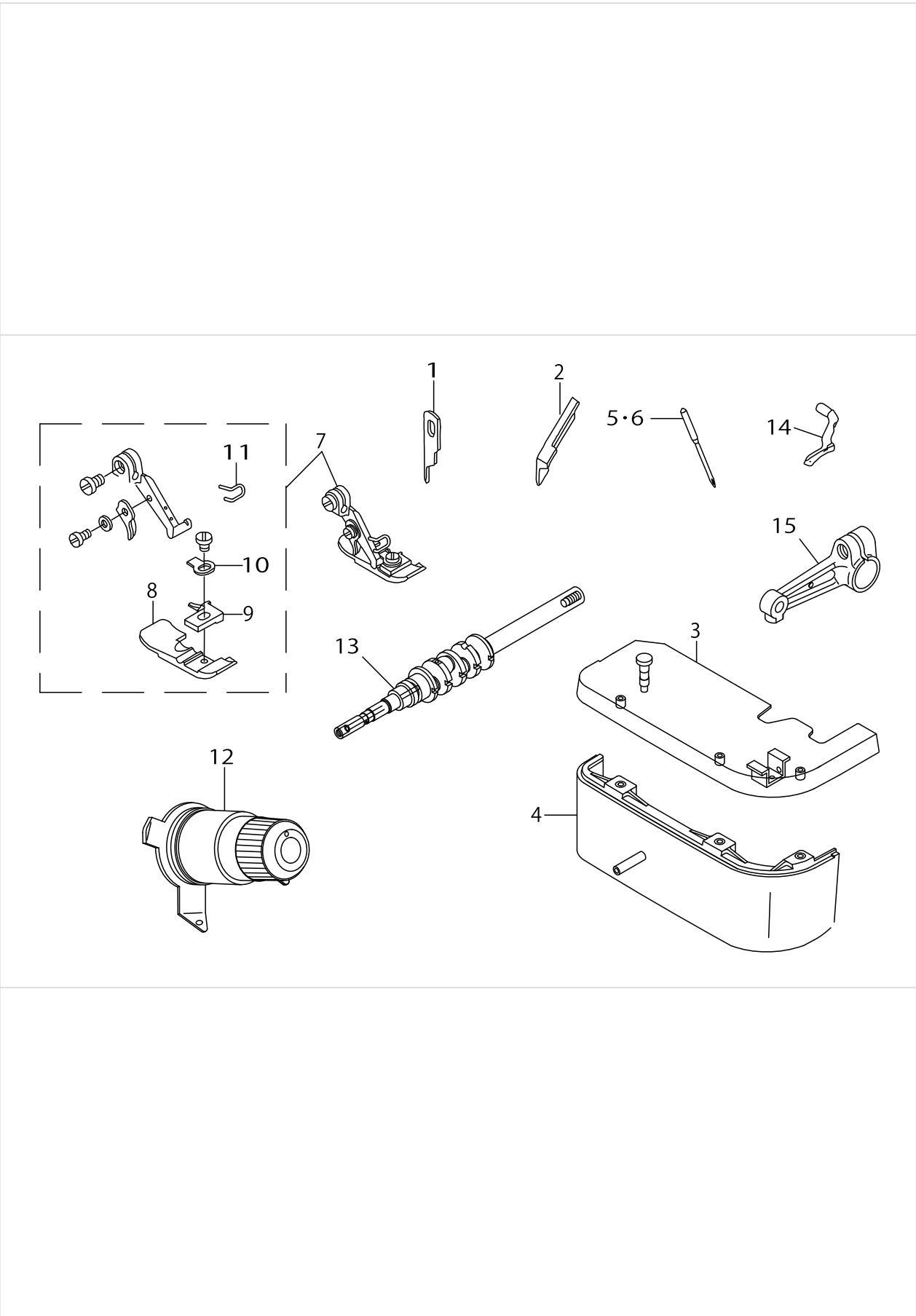
No.	Parts No.	Parts name	Remarks	Level	Cons	Qty
1	R4612J0DE01	THROAT PLATE				1
2	12107207	CRANKSHAFT				1
3	12275004	NEEDLE CLAMP CHAIN LOOPER.				1
4	11884004	MAIN FEED DOG				1
5	12173308	DIFFERENTIAL FEED DOG				1
6	12176103	UPPER LOOPER				1
7	11845609	KNIFE				1
8	SS8080310TP	SCREW 1/8-44 L=2.8				1
9	12288502	CENTER THREAD GUIDE				1
10	12146403	NEEDLE THREAD GUIDE, 3-NEEDLE				1
11	12281804	TAKE-UP LEVER GUIDE, 2-NEEDLE				1
12	11999406	NEEDLE HOLDER				1
13	12284501	LOOPER HOLDER, B				1
14	11878063	PRESSER FOOT ASM.				1
15	B1507843F00	PRESSER FOOT		*		1
16	11875507	REAR PRESSER FOOT		*		1
17	11872207	PRESSER FOOT HINGE		*		1
18	B1511816000	HINGE SCREW		*		1
19	B151581600B	PRESSER FOOT ARM SPRING B		*		1
20	B1510816000	HINGE PIN		*		1
21	B1512816000	SPRING, FOR REAR PRESSER FOOT		*		1
22	B1530816D00	AUXILIARY STOPPER		*		1
23	11820800	FINGER GUARD		*		1
24	MDC270B1100	NEEDLE DCX27 #11				1
25	MC033600750	NEEDLE B-27 NM75	FOR JE			1
26	12284758	THREAD TENSION SPRING JUNCTION				1
27	12255105	TENSION DISK THREAD GUIDE.				1
28	NS6110310SP	NUT 11/64-40				1
29	11845807	UPPER KNIFE				1
30	R4612J6DE01	THROAT PLATE	FOR JSP			1



MO-3604-0A5-150,MO-3604E-0A5-150

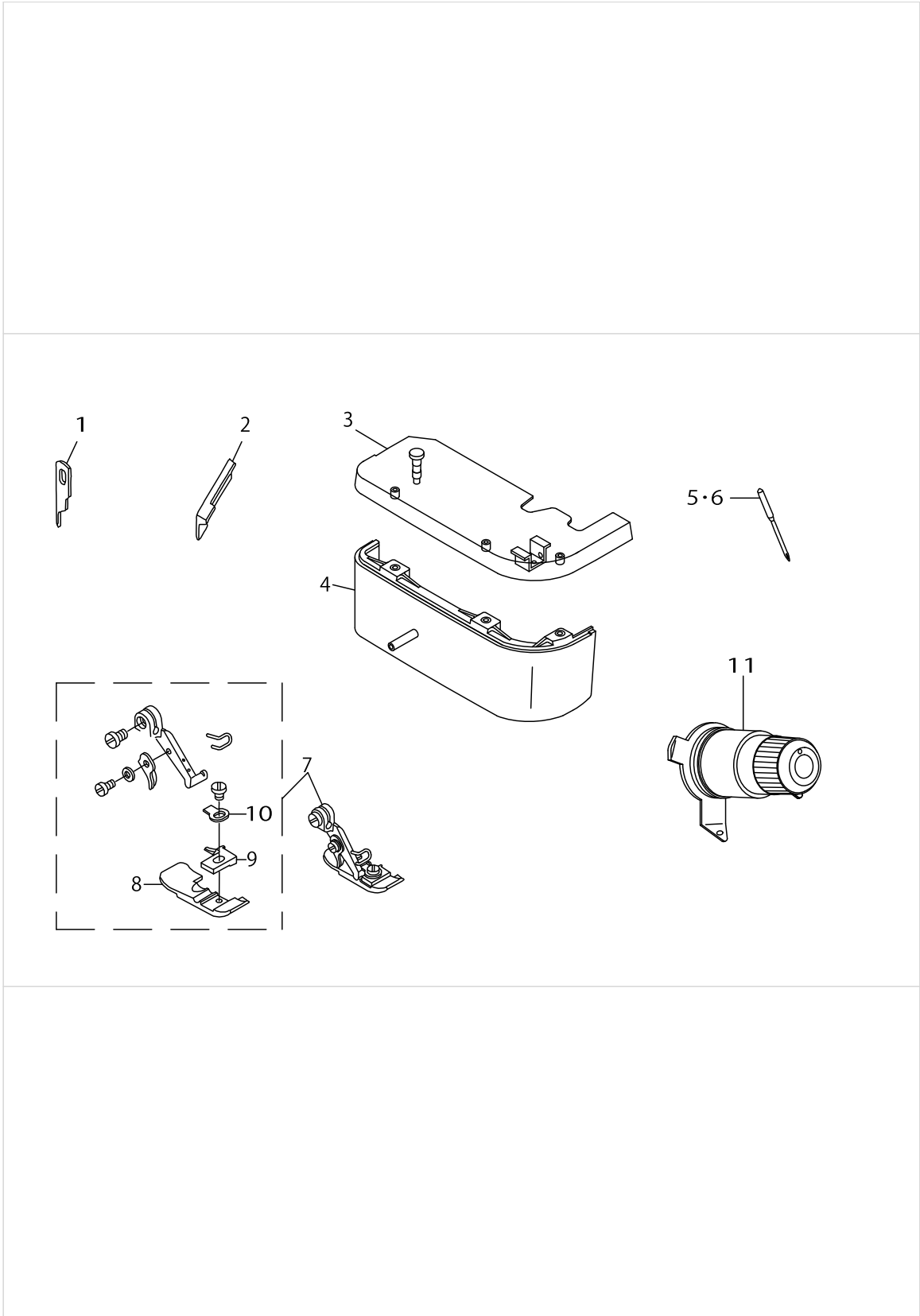
No.	Parts No.	Parts name	Remarks	Level	Cons	Qty
1	R4100J0AC00	THROAT PLATE				1
2	11882008	MAIN FEED DOG				1
3	11885001	DIFFERENTIAL FEED DOG				1
4	11887007	AUXILIARY FEED DOG				1
5	MDC100B0800	NEEDLE DCX1 #8				1
6	11876067	PRESSER FOOT ASM.				1
7	11792900	STITCH TONGUE		*		1



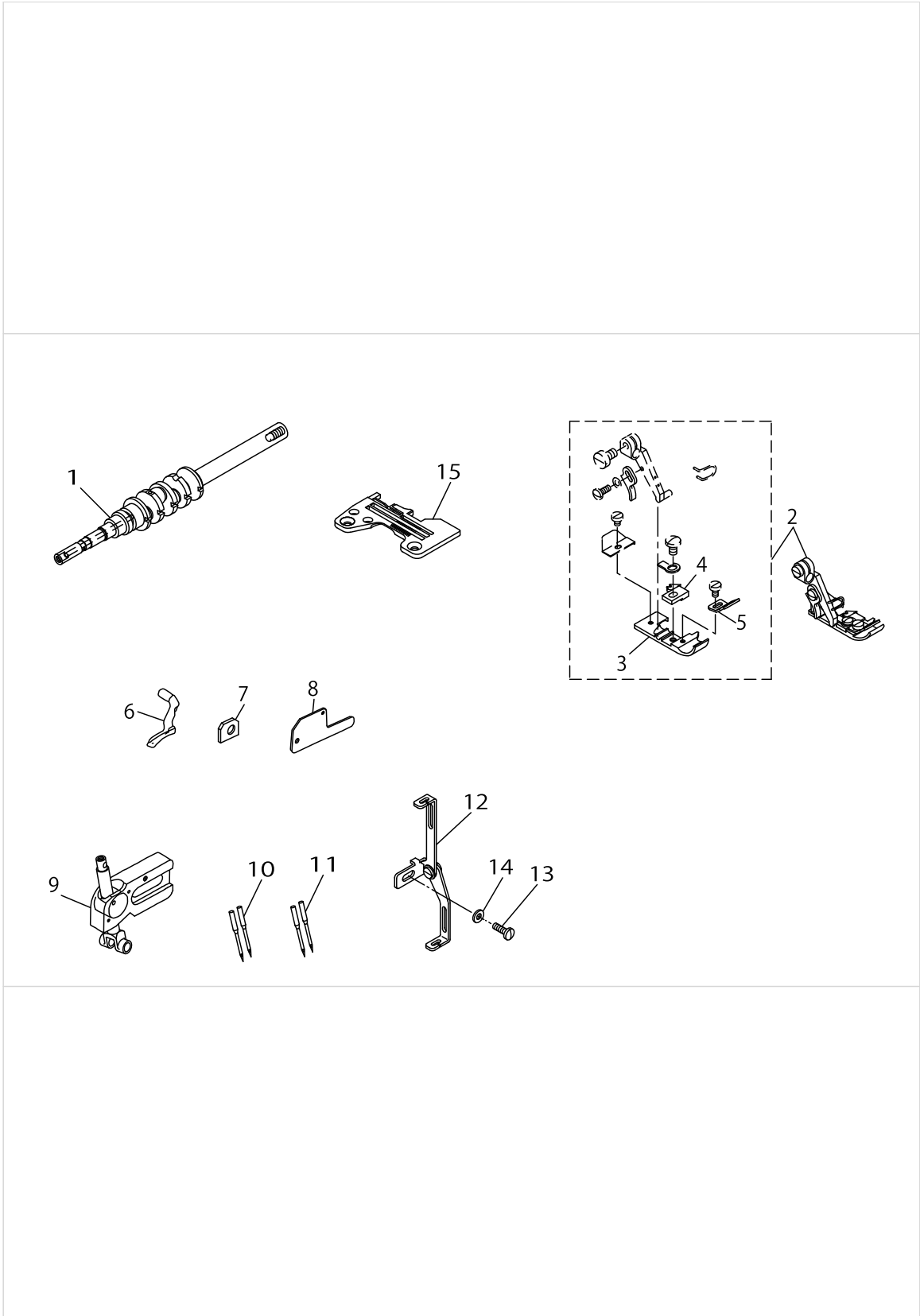


## MO-3605-0E4-41H/L121,MO-3605E-0E4-41H/L121

No.	Parts No.	Parts name	Remarks	Level	Cons	Qty
1	11845708	KNIFE	FOR JAPAN			1
2	11845906	UPPER KNIFE	FOR EXPORT			1
3	12104659	CLOTH PLATE ASM.				1
4	12104709	CLOTH PLATE COVER				1
5	MDC270B0900	NEEDLE DCX27 #9				1
6	MC033600650	NEEDLE B-27 65	FOR JE			1
7	11992161	PRESSER FOOT ASM.				1
8	11992104	PRESSER FOOT		*		1
9	11874807	STITCH TONGUE		*		1
10	B1508804000	SPRING		*		1
11	11820701	FINGER GUARD		*		1
12	12284857	THREAD TENSION SPRING JUNCTION				1
13	12107207	CRANKSHAFT				1
14	11991908	UPPER LOOPER				1
15	12284501	LOOPER HOLDER, B				1

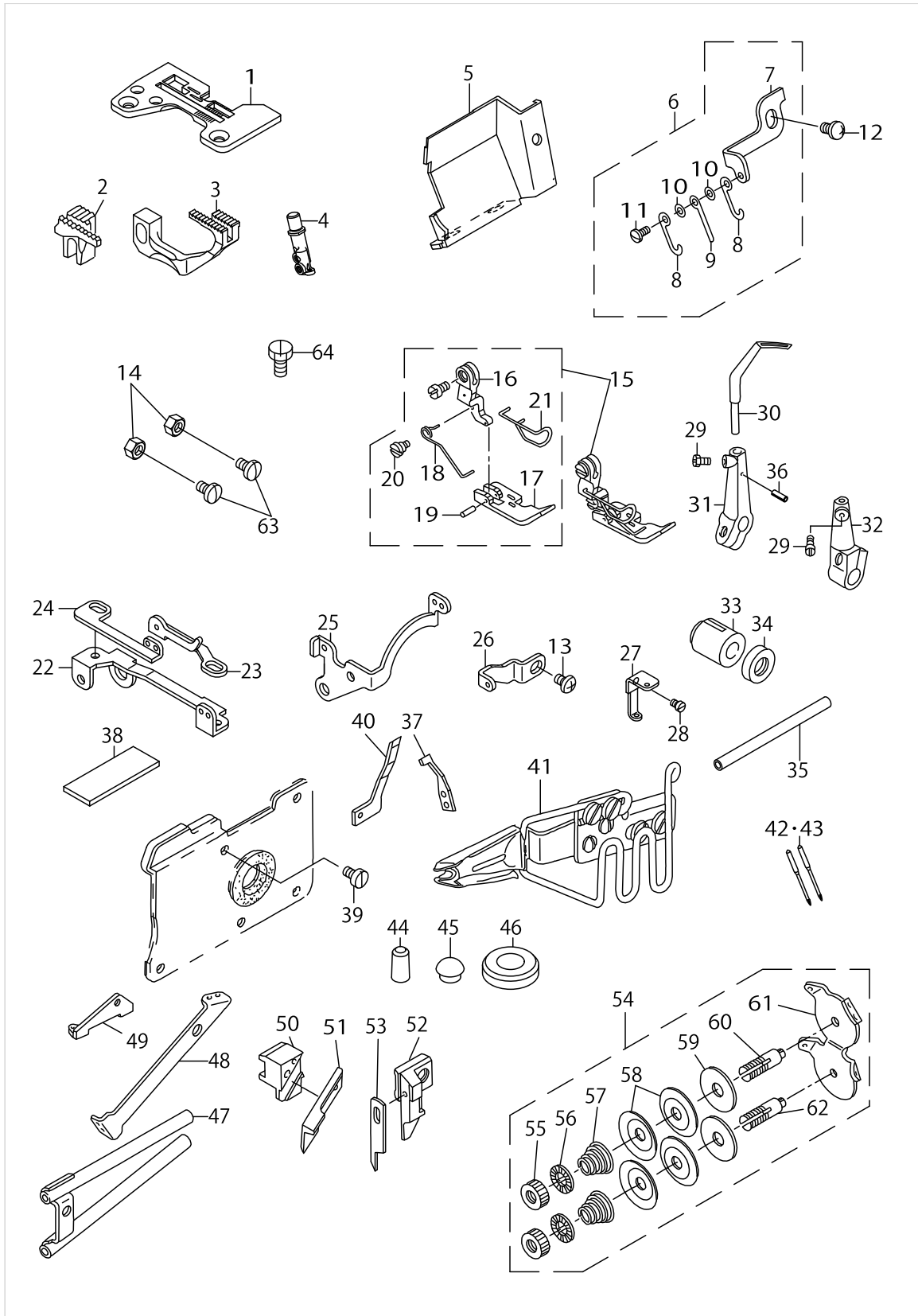


No.	Parts No.	Parts name	Remarks	Level	Cons	Qty
1	11845708	KNIFE	FOR JAPAN			1
2	11845906	UPPER KNIFE	FOR EXPORT			1
3	12104659	CLOTH PLATE ASM.				1
4	12104709	CLOTH PLATE COVER				1
5	MDC270B0900	NEEDLE DCX27 #9				1
6	MC033600650	NEEDLE B-27 65	FOR JE			1
7	11992161	PRESSER FOOT ASM.				1
8	11992104	PRESSER FOOT		*		1
9	11874807	STITCH TONGUE		*		1
10	B1508804000	SPRING		*		1
11	12284857	THREAD TENSION SPRING JUNCTION				1



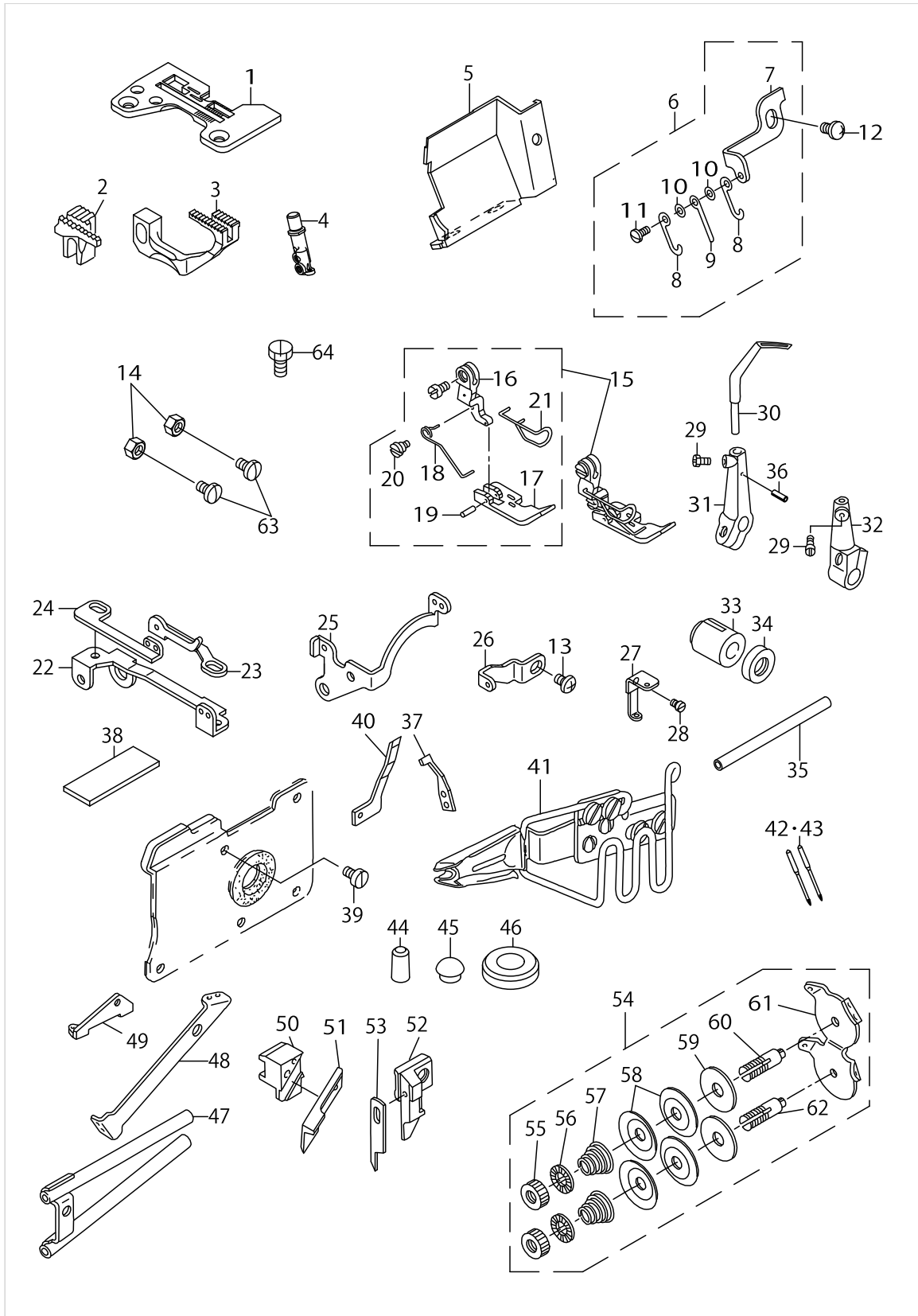
## MO-3614-BE6-44H/G-38/Q141,MO-3614E-BE6-44H/G-39/Q141

No.	Parts No.	Parts name	Remarks	Level	Cons	Qty
1	12107207	CRANKSHAFT				1
2	12152963	PRESSER FOOT ASM.				1
3	12158002	PRESSER FOOT		*		1
4	12160305	STITCH TONGUE		*		1
5	12160909	TAPE GUIDE		*		1
6	12176103	UPPER LOOPER				1
7	11991809	GAUGE				1
8	11991601	UPPER LOOPER GUIDE COVER				1
9	12254157	UPPER LOOPER GUIDE A ASM.				1
10	MDC270B1400	NEEDLE DCX27 #14				2
11	MC033600900	NEEDLE B-27 NM90	FOR JE			2
12	MAQ141000A0	TAPE GUIDE ASM.				1
13	SS7091110TP	SCREW 9/64-40 L=10.5				1
14	WP0371016SD	WASHER 3.7X8X1				1
15	R4305J6EE00	THROAT PLATE	FOR JSP			1



No.	Parts No.	Parts name	Remarks	Level	Cons	Qty
1	R4808J0DE00	THROAT PLATE				1
2	11884202	MAIN FEED DOG				1
3	12173803	DIFFERENTIAL FEED DOG				1
4	12275103	NEEDLE CLAMP CHAIN LOOPER.				1
5	12275301	CLOTH WASTE COVER				1
6	12145652	CHAIN LOOPER THREAD TAKE-UP				1
7	12145702	THREAD TAKE-UP FITTING BASE		*		1
8	B1427816000	NEEDLE THREAD TAKE-UP LEVER A		*		2
9	B1428816000	NEEDLE THREAD TAKE-UP LEVER B		*		1
10	WP0250516SD	WASHER 2.5X6X0.5		*		2
11	SS7060510SP	SCREW 3/32-56 L=4.8		*		1
12	SM4040655SP	SCREW M4 L=6				1
13	SS4110515SP	SCREW 11/64-40 L=5				1
14	NS6110420SP	NUT 11/64-40				2
15	11881661	PRESSER FOOT ASM.				1
16	11872405	PRESSER FOOT HINGE		*		1
17	11873601	PRESSER FOOT		*		1
18	11892106	PRESSER SPRING		*		1
19	B1511357000	PIN		*		1
20	SD0370401SP	HINGE SCREW D= 3.70 H= 4.0		*		1
21	11894706	FINGER GUARD		*		1
22	12146007	THREAD GUIDE BASE				1
23	12146106	THREAD GUIDE A				1
24	12146205	THREAD GUIDE B				1
25	12146304	THREAD GUIDE				1
26	12145801	CHAIN LOOPER THREAD GUIDE				1
27	12145900	NEEDLE THREAD GUIDE				1
28	SS6060340SP	SCREW 3/32-56 L= 2.5				1
29	SS9090610TP	SCREW 9/64-40 L=5.5				2
30	11999604	DOUBLE-RING LOOPER				2
31	B211784500A	CHAIN LOOPER SUPPORT ARM A				1
32	B211784500B	CHAIN LOOPER SUPPORT ARM B				1
33	B2110845000	BUSHING, FRONT				1
34	B2121845000	OIL SEAL				1
35	B2109816000	CHAIN LOOPER SHAFT				1
36	PS0200062KH	SPRING PIN 2X6				1
37	11891009	NEEDLE GUARD				1
38	B2528845000	CHIP GUARD PLATE				1
39	SS6090630SP	SCREW 9/64-40 L=6				1
40	11890902	NEEDLE GUARD				1
41	MAN0770F0A0	TOP CENTER PLAIT BINDER				1
42	MDC270B1400	NEEDLE DCX27 #14				2
43	MC033600900	NEEDLE B-27 NM90	FOR JE			2
44	TA0290601M0	PLUG D=2.9X3.2 L=6				1
45	TA0570301M0	PLUG D=5.7X6.1 L=3				1
46	TA1701002R0	RUBBER PLUG				1
47	11893054	LOOPER THREAD GUIDE TUBE ASM.				1





No.	Parts No.	Parts name	Remarks	Level	Cons	Qty
48	11893104	LOOPER THREAD GUIDE TUBE GUIDE				1
49	B240284500B	LOOPER THREAD GUIDE TUBE GUIDE	FOR T039,T040			1
50	11896305	UPPER KNIFE SUPPORT	FOR EXPORT			1
51	11845807	UPPER KNIFE	FOR EXPORT			1
52	11896206	UPPER KNIFE SUPPORT	FOR JAPAN			1
53	11845609	KNIFE	FOR JAPAN			1
54	11892957	TENSION CONTROLLER ASM.				1
55	B2314019000	TENSION POST NUT		*		2
56	B3120125000	ROTATING STOPPER		*		2
57	B2017372000	TENSION SPRING NO.1		*		2
58	B3126012000	THREAD TENSION DISK		*		4
59	B3120352000	THREAD TENSION SPRING FELT		*		2
60	11550803	THREAD TENSION POST		*		1
61	11892809	THREAD GUIDE		*		1
62	11892908	THREAD TENSION POST		*		1
63	SS7110710SL	SCREW 11/64-40 L=7.0				2
64	SS9151210TP	SCREW 15/64-28 L=11.8				1



## HOW TO MAKE USE OF THIS PARTS LIST

### 1.Explanation of codes

1)"\*"mark.....means this part is changed from the previous parts book.

As to the details of the change, refer to the "List for information of change".

2)"#01".....refer to "Note" explanation at bottom of page.

### 2.Codes on the "Qty" column

- Each numeral indicates the number of parts required.
- "0.1" and "2.5" indicate the length (in meters) of the respective parts.

3.Parentheses mean that the corresponding part is a subpart that constructs an assembly part.

4.Dotted lines on the Figures indicate assembly parts.

### 1."注記"欄の記号説明

1) "\*"印.....前回のパーツブックに比較して今回変更された部品を意味します。

変更内容は、"変更情報リスト"を参照してください。

2) "#01".....ページ下の"注記"の説明を参照してください。

2.数量欄の数字は、個数を表し、0.1、2.5等の数値は、長さ（単位メートル）を表します。

3.数量欄の（ ）は、組部品を構成している子部品であることを意味します。

4.イラストページの-----枠は、組構成であることを意味します。

NUMERICAL INDEX OF PARTS

PART NO	PAGE	REF NO.	PART NO	PAGE	REF NO.	PART NO	PAGE	REF NO.
11550803	32	60	11896305	32	50	12107207	28	1
11565900	18	18	11930708	18	8	12107306	18	1
11566502	18	19	11930807	16	9	12112504	4	6
11792900	22	7	11948783	4	4	12112603	4	7
11820701	24	11	11991015	16	4	12112702	4	8
11820800	16	13	11991114	16	11	12112801	18	25
11820800	20	23	11991189	16	3	12133500	18	21
11845609	14	7	11991205	16	7	12145652	30	6
11845609	16	19	11991304	16	8	12145702	30	7
11845609	20	7	11991601	6	3	12145801	30	26
11845609	32	53	11991601	8	3	12145900	30	27
11845708	24	1	11991601	28	8	12146007	30	22
11845708	26	1	11991809	6	4	12146106	30	23
11845807	14	8	11991809	8	4	12146205	30	24
11845807	16	20	11991809	28	7	12146304	30	25
11845807	20	29	11991908	2	2	12146403	20	10
11845807	32	51	11991908	4	2	12150702	18	22
11845906	24	2	11991908	10	2	12152963	28	2
11845906	26	2	11991908	12	2	12154266	14	12
11872207	20	17	11991908	14	3	12155560	18	3
11872405	30	16	11991908	16	14	12157004	14	16
11873601	30	17	11991908	24	14	12157301	18	4
11874807	24	9	11992104	24	8	12158002	28	3
11874807	26	9	11992104	26	8	12160305	28	4
11875507	20	16	11992161	24	7	12160909	28	5
11876067	22	6	11992161	26	7	12162707	14	13
11878063	20	14	11993508	16	10	12164000	18	7
11881661	30	15	11999406	20	12	12165304	14	14
11882008	22	2	11999604	30	30	12165908	18	5
11883006	16	17	11999802	18	16	12168001	14	15
11884004	14	5	12004909	18	17	12168209	14	17
11884004	20	4	12104659	24	3	12168407	18	6
11884202	30	2	12104659	26	3	12168506	18	9
11885001	22	3	12104709	24	4	12168605	18	10
11887007	22	4	12104709	26	4	12168704	18	11
11890902	30	40	12107207	2	1	12171104	18	14
11891009	30	37	12107207	4	1	12171203	10	4
11892106	30	18	12107207	6	1	12171500	6	6
11892809	32	61	12107207	8	1	12172003	6	7
11892908	32	62	12107207	10	1	12173308	14	6
11892957	32	54	12107207	12	1	12173308	20	5
11893054	30	47	12107207	14	1	12173506	16	18
11893104	32	48	12107207	16	1	12173803	30	3
11894706	30	21	12107207	20	2	12174108	10	5
11896206	32	52	12107207	24	13	12174207	18	15

# NUMERICAL INDEX OF PARTS

PART NO	PAGE	REF NO.	PART NO	PAGE	REF NO.	PART NO	PAGE	REF NO.
12176103	6	2	B2017372000	32	57	R4612J6FF00	16	24
12176103	8	2	B2109816000	30	35	R4612J6HK00	18	27
12176103	20	6	B2110845000	30	33	R4808J0DE00	30	1
12176103	28	6	B211784500A	30	31	SD0370401SP	30	20
12176202	18	12	B211784500B	30	32	SM4040655SP	30	12
12254157	6	5	B2121845000	30	34	SS4110515SP	30	13
12254157	8	5	B2314019000	32	55	SS6060340SP	30	28
12254157	28	9	B240284500B	32	49	SS6090630SP	30	39
12255105	20	27	B2528845000	30	38	SS7060510SP	30	11
12255451	18	26	B3120125000	32	56	SS7091110TP	28	13
12257465	18	20	B3120352000	32	59	SS7110710SL	32	63
12257507	14	9	B3126012000	32	58	SS8080310TP	20	8
12257507	16	21	MAN0770F0A0	30	41	SS9090610TP	30	29
12273900	18	28	MAQ141000A0	28	12	SS9151210TP	32	64
12275004	20	3	MC033600650	24	5-6	TA0290601M0	30	44
12275103	30	4	MC033600650	26	5-6	TA0570301M0	30	45
12275301	30	5	MC033600750	20	24-25	TA1701002R0	30	46
12281804	20	11	MC033600900	28	11	WP0250516SD	30	10
12284501	2	3	MC033600900	30	43	WP0371016SD	28	14
12284501	4	3	MC033601000	14	11			
12284501	10	3	MC033601000	16	16			
12284501	12	3	MC033601300	18	24			
12284501	14	4	MDC100B0800	22	5			
12284501	16	15	MDC270B0900	24	5-6			
12284501	18	13	MDC270B0900	26	5-6			
12284501	20	13	MDC270B1100	20	24-25			
12284501	24	15	MDC270B1400	28	10			
12284758	20	26	MDC270B1400	30	42			
12284857	24	12	MDC270B1600	14	10			
12284857	26	11	MDC270B1600	16	22			
12288502	20	9	MDC270B2100	18	23			
B1427816000	30	8	NS6110310SP	20	28			
B1428816000	30	9	NS6110420SP	30	14			
B1507843F00	20	15	PS0200062KH	30	36			
B1508804000	24	10	R4100J0AC00	22	1			
B1508804000	26	10	R4200J2ED00	4	5			
B1510816000	20	20	R4200J6ED00	2	4			
B1511357000	30	19	R4305J6EE00	28	15			
B1511816000	20	18	R4612J0DE01	20	1			
B1512816000	20	21	R4612J0FD00	14	2			
B1514816000	16	6	R4612J0FF00	16	2-23			
B151581600B	16	5	R4612J0HG00	16	2-23			
B151581600B	20	19	R4612J0HK00	18	2			
B1530816D00	16	12	R4612J6DE01	20	30			
B1530816D00	20	22	R4612J6FD00	14	18			