

MODEL : MO-3604/MO-3616

List No : 1098-05

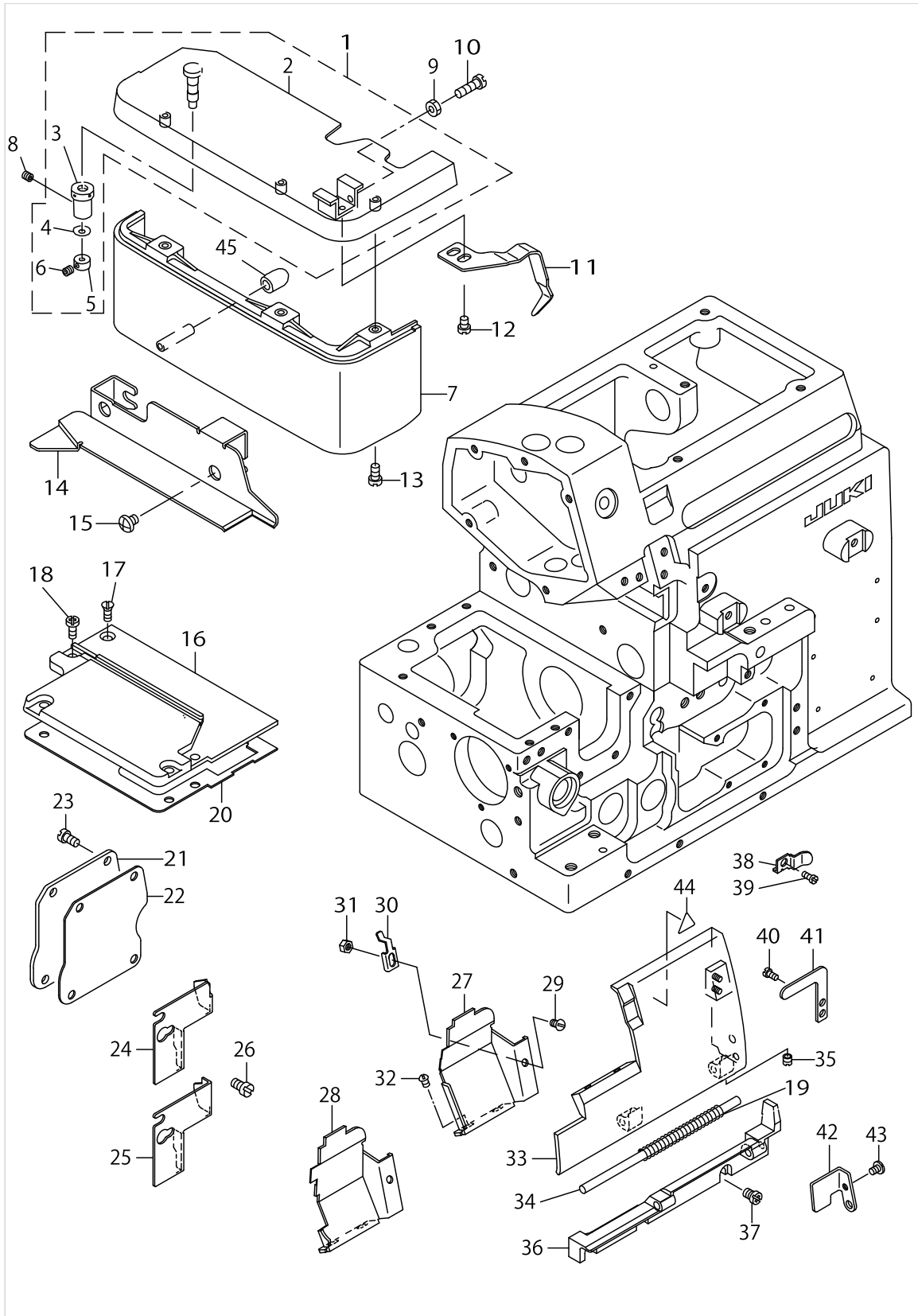
PARTS LIST

Published:09/10/2017

CONTENTS

FRAME COMPONENTS (1)	1
FRAME COMPONENTS (2)	3
CRANKSHAFT COMPONENTS	5
NEEDLE DRIVING SHAFT COMPONENTS	9
FEED MECHANISM COMPONENTS (1).....	13
FEED MECHANISM COMPONENTS (2).....	15
CHAIN LOOPER COMPONENTS (FOR MO-3616).....	19
UPPER & LOWER LOOPER COMPONENTS.....	21
PRESSER FOOT COMPONENTS (1).....	25
PRESSER FOOT COMPONENTS (2).....	27
THREAD TENSION COMPONENTS	31
UPPER KNIFE COMPONENTS	35
LOWER KNIFE COMPONENTS.....	37
LUBRICATION MECHANISM COMPONENTS.....	41
SEMI-SUNKEN TYPE TABLE COMPONENTS.....	43
FULLY-SUNKEN TYPE TABLE COMPONENTS.....	45
THREAD STAND COMPONENTS(FOR MO-3604,MO-3614).....	47
THREAD STAND COMPONENTS(FOR MO-3616).....	49
LIST FOR INFORMATION OF CHANGE.....	51
HOW TO MAKE USE OF THIS PARTS LIST	52

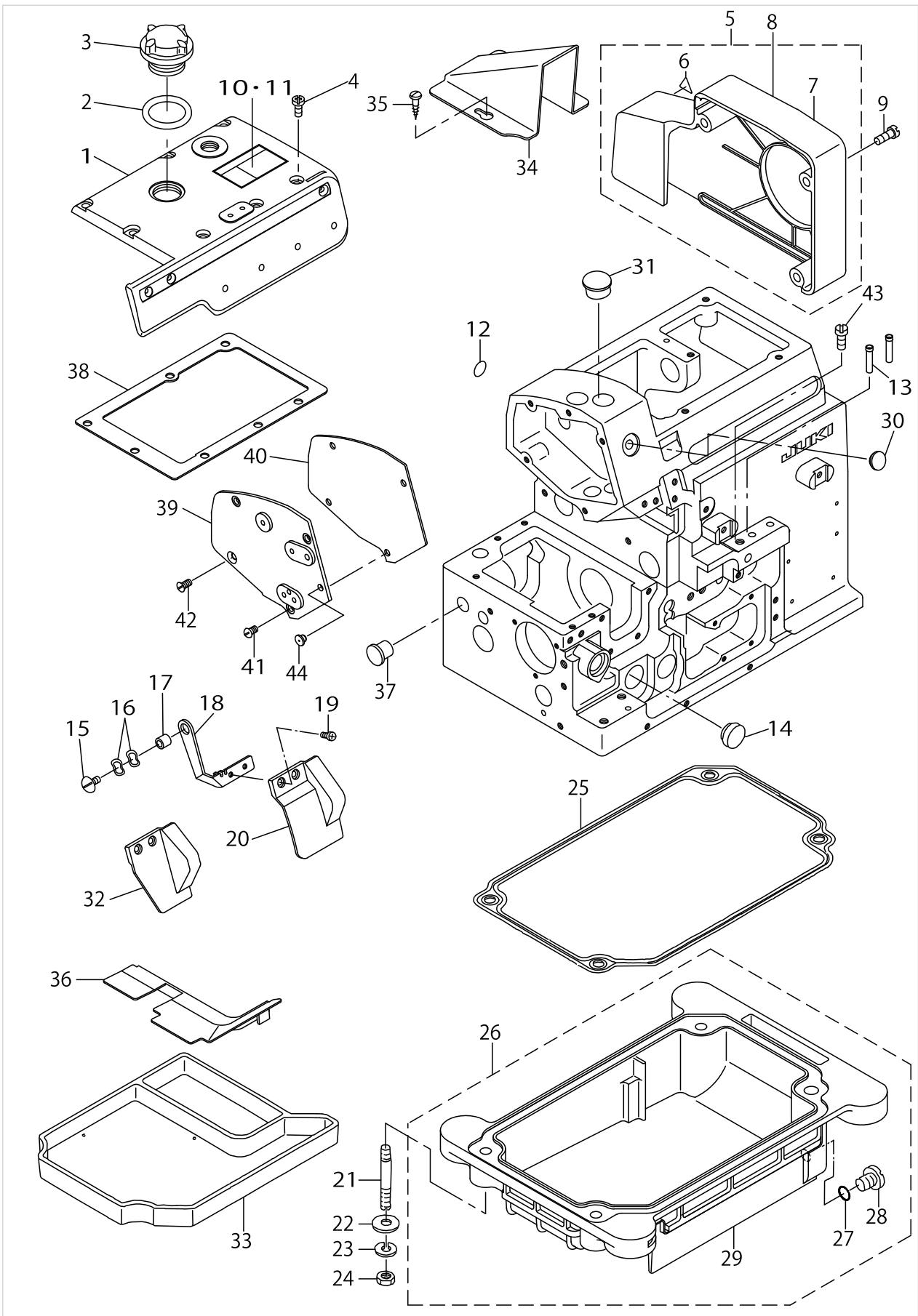
FRAME COMPONENTS (1)



FRAME COMPONENTS (1)

No.	Parts No.	Parts name	Remarks	Level	Cons	Qty
1	12105359	CLOTH PLATE ASM.				1
2	12102752	CLOTH PLATE ASM.		*		1
3	11501301	ECCENTRIC BUSHING		*		1
4	WZ0420350KP	DISC SPRING		*		1
5	CS0400671SD	THRUST HOLDER		*		1
6	SM8040302TP	SETSCREW		*		1
7	11949005	CLOTH BASE COVER				1
8	SS8110410TP	SCREW 11/64-40 L= 3.5				1
9	NS6110420SP	NUT 11/64-40				1
10	SS6111440SP	SCREW 11/64-40 L=14.0				1
11	11810207	STOPPER				1
12	SS7110510SP	SCREW 11/64-40 L=5				2
13	SS4091015SP	SCREW 9/64-40 L=10				3
14	12342101	CLOTH PLATE SIDE COVER				1
15	SS4120615SP	SCREW 3/16-28 L=6				2
16	12344503	FEED MECHANISM COVER				1
17	SM1040801SC	SCREW M4X0.7 L=8				1
18	SM4040855SP	SCREW				4
19	B1140716000	SPRING				1
20	12250601	GASKET				1
21	11951100	COVER				1
22	12270500	GASKET				1
23	SM4040855SP	SCREW				4
24	12102307	CHIP GUARD COVER, LEFT	FOR MO-3604,MO-3614			1
25	12102406	CHIP GUARD COVER, LEFT	FOR MO-3616			1
26	SS7110510SP	SCREW 11/64-40 L=5				2
27	12286803	CLOTH WASTE COVER	FOR MO-3604,MO-3614			1
28	12286902	CLOTH WASTE COVER	FOR MO-3616			1
29	SS2090520SL	SCREW 9/64-40 L=5				1
30	12101515	CROTH WASTE COVER STOPPER				1
31	NS6090310SN	NUT 9/64-40				1
32	SS3090610SP	SCREW 9/64-40 L=6				2
33	12101309	LOOPER COVER				1
34	11803004	LOOPER COVER HINGE PIN				1
35	SS8110410TP	SCREW 11/64-40 L= 3.5				1
36	12344909	LOOPER COVER BRACKET				1
37	SM4041055SP	SCREW				3
38	12103404	LOOPER COVER PRESSER SPRING				1
39	SM4040655SP	SCREW M4 L=6				1
40	SS7090530SP	SCREW 9/64-40 L= 4.5				1
41	12103206	LOOPER COVER PRESSER PLATE				1
42	12101408	GUIDE PLATE				1
43	SS7090610SP	SCREW 9/64-40 L=6				1
44	CM300200001	ATTENTION SEAL	FOR JE			1
45	11802204	RUBBER PLUG				1

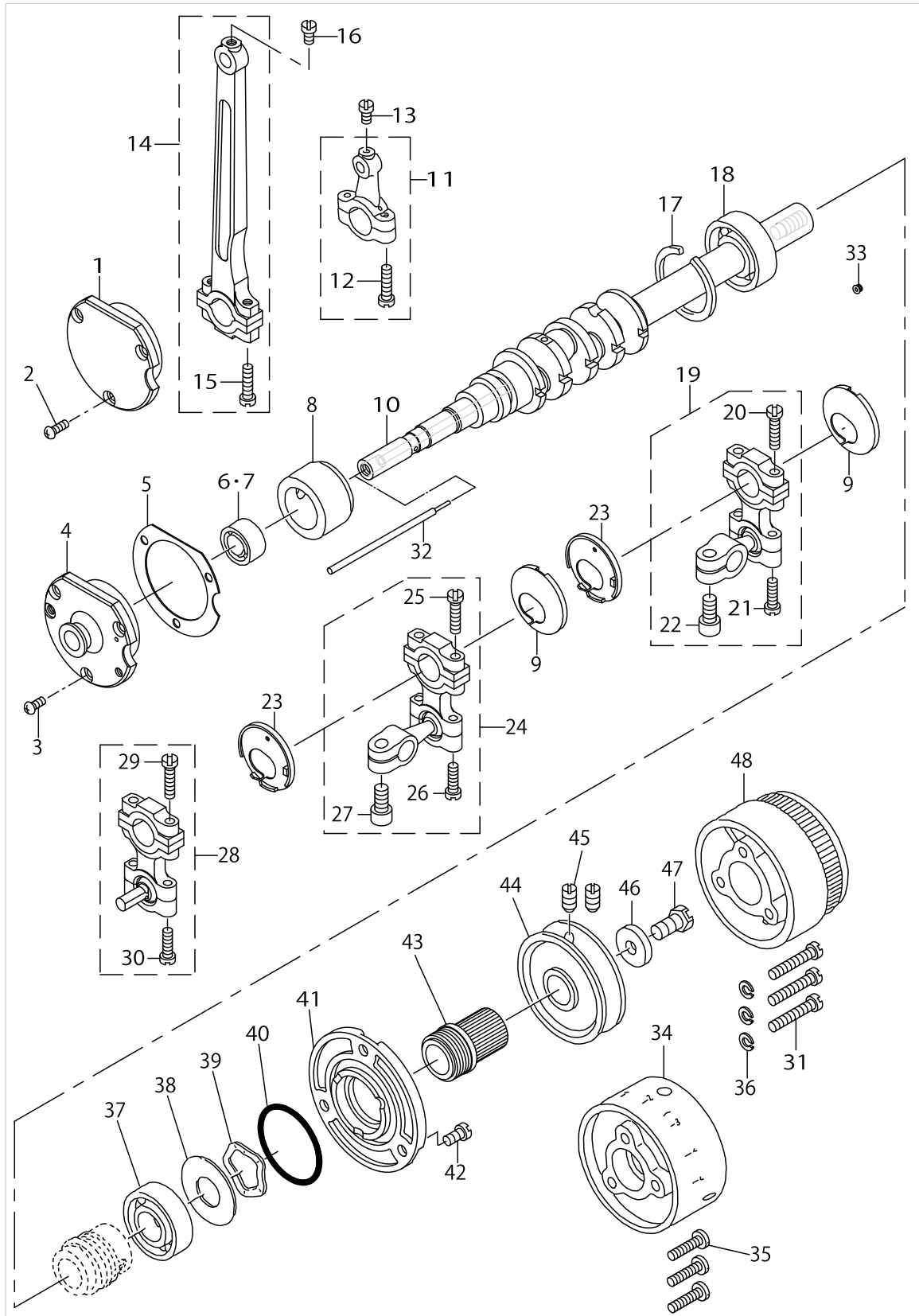
FRAME COMPONENTS (2)



FRAME COMPONENTS (2)

No.	Parts No.	Parts name	Remarks	Level	Cons	Qty
1	12270203	UPPER COVER				1
2	RO195240100	RUBBER RING				1
3	B3530555000	OIL SIGHT WINDOW				1
4	SM4051255SP	SCREW.,M5 L=12.				7
5	12101952	BELT COVER ASM.	FOR JAPAN			1
6	CM3002000A1	CAUTION LABEL(16)	FOR JAPAN	*		1
7	12101903	BELT COVER	FOR JAPAN	*		1
8	12101903	BELT COVER	FOR EXPORT			1
9	SS4151215SP	SCREW 15/64-28 L=12				3
10	CM300200101	SAFETY LABEL, 1(SMALL).	FOR JAPAN			1
11	CM3002001A1	SAFETY LABEL.,3 (SMALL).	FOR EXPORT(EXCEPT JE)			1
12	10004109	GROUND MARK				1
13	11805207	THREAD GUIDE, LARGE				2
14	TA1871602R0	RUBBER PLUG	FOR MO-3604,MO-3614			1
15	SS5110710SP	SCREW 11/64-40 L=7				1
16	WZ0850302K0	WAVED WASHER 8.5X12.5X0.3				2
17	B3013141H0A	WASHER				1
18	12342002	SAFETY PLATE BRACKET				1
19	SS7090611SL	SCREW 9/64-40 L=6.1				2
20	12102109	SAFETY PLATE	FOR MO-3616			1
21	11503703	SCREW STUD				4
22	WP0751576SD	WASHER 7.5X19X1.5				4
23	WS0822010KP	SPRING WASHER 8.2X15X2				4
24	NS6680410SP	NUT 9/32-28				4
25	11503919	OIL RESERVOIR GASKET				1
26	11503885	OIL RESERVOIR ASM.				1
27	RO074240100	RUBBER RING		*		1
28	SM0081001SD	SCREW		*		1
29	11503810	OIL RESERVOIR		*		1
30	TA1250406R0	RUBBER PLUG D=12.5 L=4				1
31	TA1701107R0	RUBBER PLUG				1
32	12104907	SAFETY PLATE	FOR MO-3604,MO-3614			1
33	11841350	FILTER BASE ASM.				1
34	12105201	BELT COVER	FOR JE			1
35	SK3412000SC	WOOD SCREW D=4.1 L=20	FOR JE			2
36	12271904	SHELTER PLATE				1
37	TA1120804R0	RUBBER PLUG				1
38	12270302	UPPER COVER GASKET				1
39	12345203	SIDE COVER				1
40	12100301	SIDE COVER GASKET				1
41	SM4040855SP	SCREW				3
42	SM1040801SC	SCREW M4X0.7 L=8				1
43	SS9151210TP	SCREW 15/64-28 L=11.8				1
44	12258000	BUSH				1

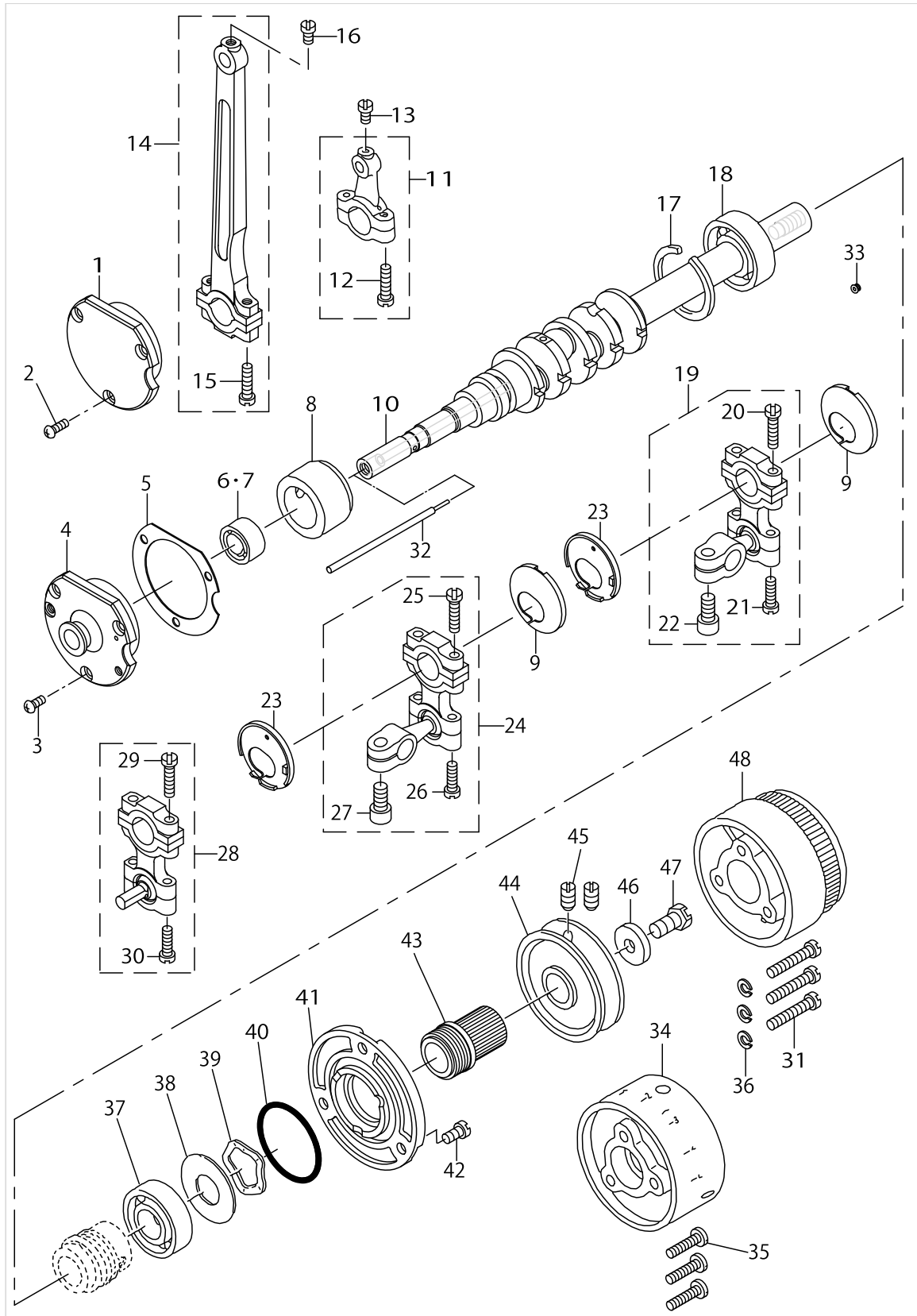
CRANKSHAFT COMPONENTS



CRANKSHAFT COMPONENTS

No.	Parts No.	Parts name	Remarks	Level	Cons	Qty
1	12343406	CRANKSHAFT BUSHING D	FOR MO-3604,MO-3614			1
2	SM4040855SP	SCREW	FOR MO-3604,MO-3614			3
3	SM4040855SP	SCREW	FOR MO-3616			3
4	12343505	CRANKSHAFT BUSHING D	FOR MO-3616			1
5	12108403	GASKET				1
6	B1215804000	BALL BEARING D	FOR MO-3604,MO-3614			1
7	SB110000300	BALL BEARING	FOR MO-3616			1
8	12108007	CRANKSHAFT BUSHING C				1
9	12124509	STOPPER (R)				2
10	12107108	CRANKSHAFT				1
11	12132155	KNIFE DRIVING ROD ASM.				1
12	SS7111810TP	SCREW 11/64-40 L=18		*		1
13	SS7110840SP	SCREW 11/64-40 L=7.8				2
14	12109153	CONNECTING ROD ASM.				1
15	SS7111810TP	SCREW 11/64-40 L=18		*		2
16	SS7110840SP	SCREW 11/64-40 L=7.8				1
17	B1212704000	BEARING RETAINER				1
18	B1211804000	BALL BEARING B				1
19	12122362	UPPER LOOPER ROD ASM.				1
20	SS7111810TP	SCREW 11/64-40 L=18		*		2
21	SS7111410TP	SCREW 11/64-40 L=14		*		2
22	SM6061202TP	SCREW M6 L=12		*		1
23	12124400	STOPPER (L)				2
24	12123360	LOWER LOOPER ROD ASM., A	FOR MO-3604,MO-3614			1
25	SS7111810TP	SCREW 11/64-40 L=18		*		2
26	SS7111410TP	SCREW 11/64-40 L=14		*		2
27	SM6061202TP	SCREW M6 L=12		*		1
28	12120150	LOWER LOOPER ROD ASM., B	FOR MO-3616			1
29	SS7111810TP	SCREW 11/64-40 L=18		*		2
30	SS7111410TP	SCREW 11/64-40 L=14		*		2
31	SS7112420SP	SCREW 11/64-40 L=24	FOR EXPORT			3
32	12108106	OIL ADJUSTING BAR				1
33	SS5080212TP	SCREW 1/8-44 L=2				5
34	11956505	HANDWHEEL C	FOR JAPAN			1
35	SS7111810SP	SCREW 11/64-40 L=18	FOR JAPAN			3
36	WS0451040KP	SPRING WASHER 4.5X8.5X1	FOR EXPORT			3
37	B1211804000	BALL BEARING B				1
38	11510609	WASHER				1
39	WZ2640310KH	WAVED WASHER 26.4X33.9X3.5				1
40	RO347350100	RUBBER RING				1
41	12271706	THRUST HOLDER				1
42	SM4050855SP	SCREW				3
43	12280103	OIL SHIELD				1
44	11811205	HANDWHEEL A				1
45	SS8151150SP	SCREW 15/64-28 L=10.5				2
46	WP0764016SP	WASHER				1
47	SS9681610TP	SCREW 9/32-28 L=16				1

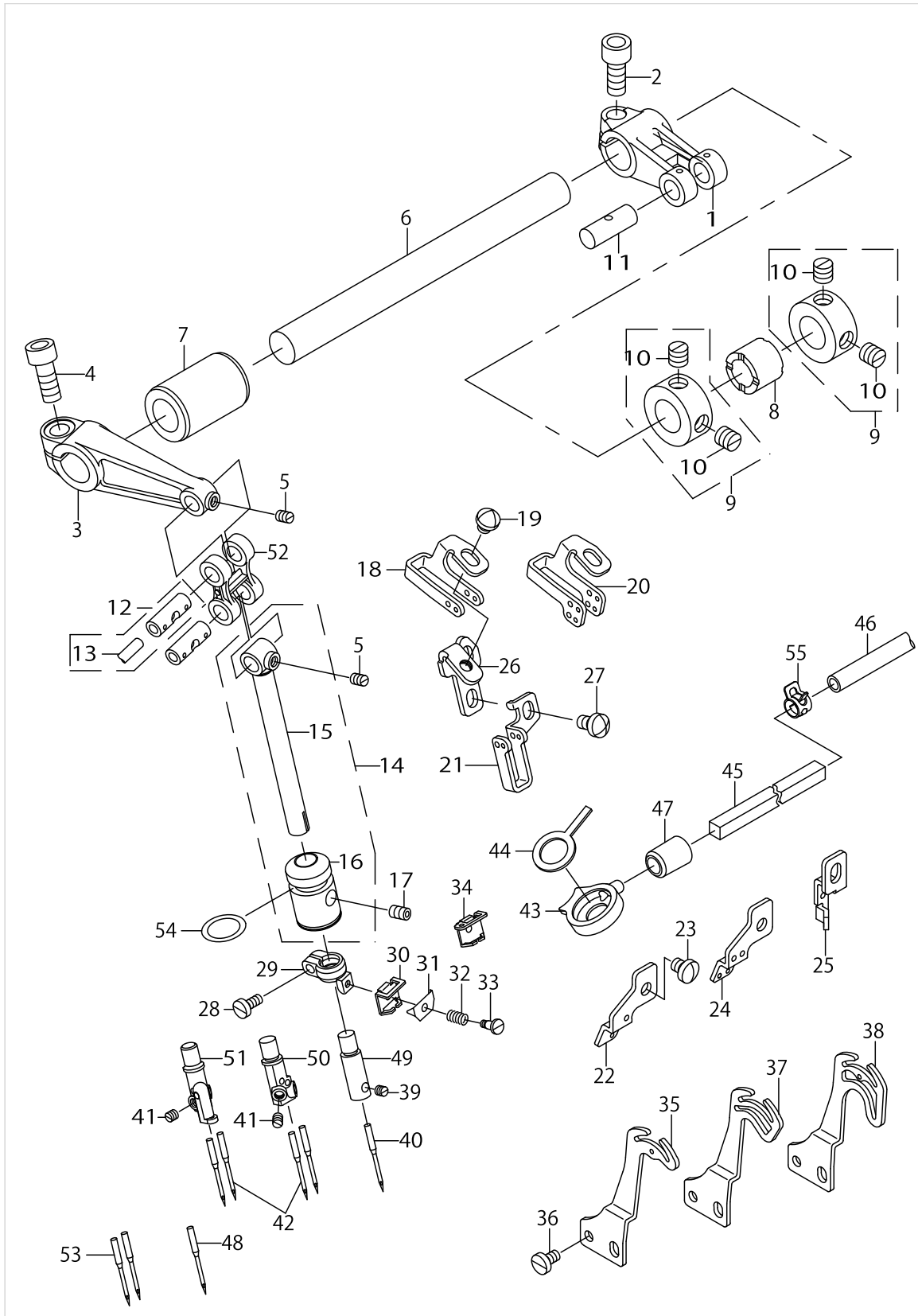
CRANKSHAFT COMPONENTS



CRANKSHAFT COMPONENTS

No.	Parts No.	Parts name	Remarks	Level	Cons	Qty
48	11956307	HAND WHEEL B	FOR EXPORT			1

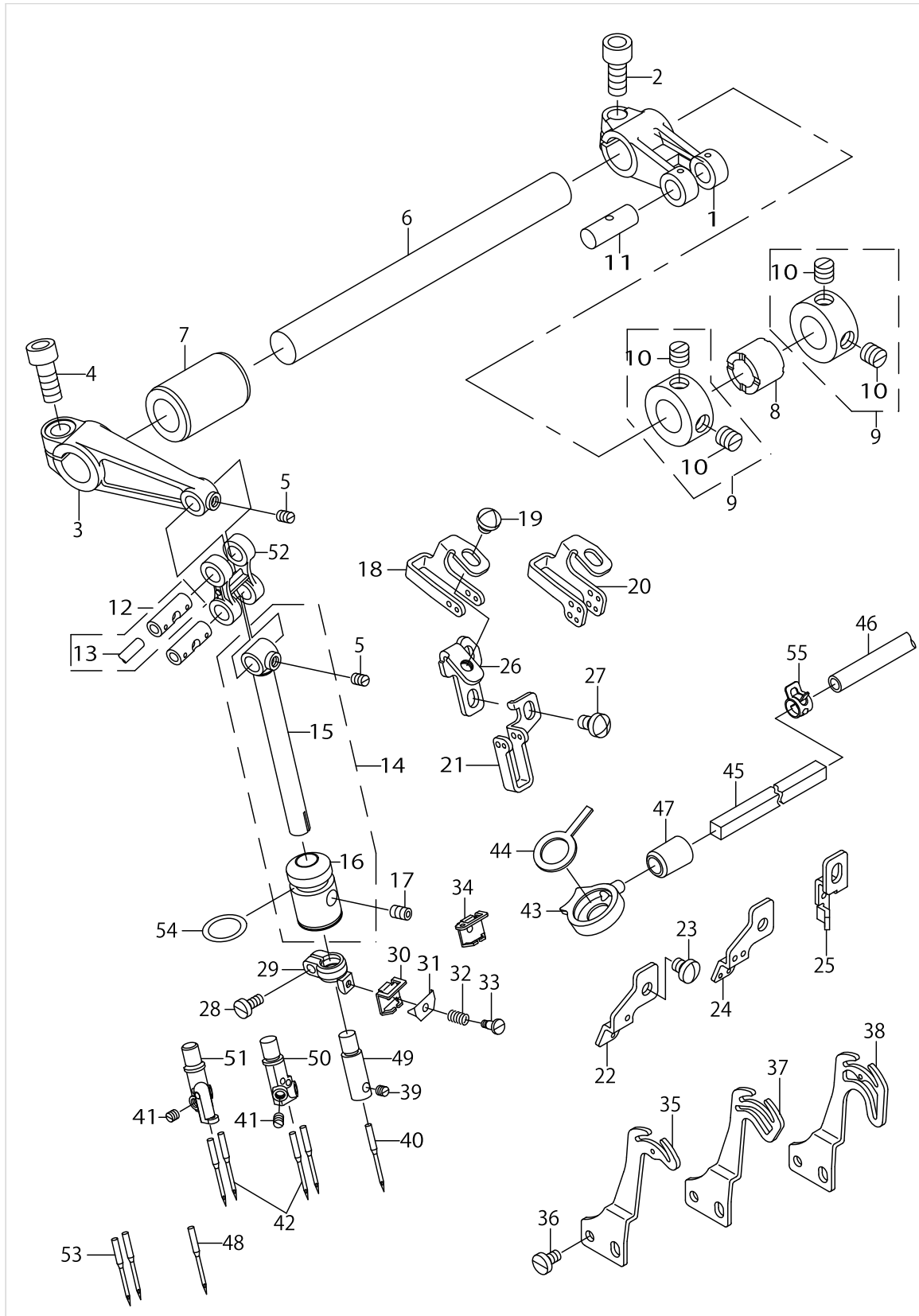
NEEDLE DRIVING SHAFT COMPONENTS



NEEDLE DRIVING SHAFT COMPONENTS

No.	Parts No.	Parts name	Remarks	Level	Cons	Qty
1	12280707	FEED FORKED CRANK				1
2	SM6061402TP	SCREW M6 L=14				1
3	12280806	NEEDLE DRIVING ARM				1
4	SM6061402TP	SCREW M6 L=14				1
5	SS8090530TP	SCREW 9/64-40 L= 5.0				2
6	12287108	NEEDLE DRIVING SHAFT				1
7	12280202	BUSHING, FRONT				1
8	12280301	BUSHING, REAR				1
9	CS1201010SH	THRUST COLLAR ASM. D=12 W=10				2
10	SS8660610TP	SCREW 1/4-40 L=6		*		4
11	11823804	CRANK PIN C	SELECTING PART FOR FIT TOLERANCE			1
12	12109955	LINK PIN C ASM.	SELECTING PART FOR FIT TOLERANCE			2
13	CQ252000000	OIL WICK		*		0.1
14	12272555	NEEDLE HOLDER ASM.				1
15	12110227	NEEDLE HOLDER		*		1
16	12272506	NEEDLE HOLDER BUSHING		*		1
17	SM8040612TP	SCREW M4 L=6				1
18	12281101	NEEDLE THREAD GUIDE	FOR MO-3604,MO-3616			1
19	SS4110515SP	SCREW 11/64-40 L=5				1
20	12281200	THREAD GUIDE, 2-NEEDLE	FOR MO-3614			1
21	12281309	THREAD GUIDE, CHAIN LOOPER	FOR MO-3616			1
22	12281705	TAKE-UP LEVER GUIDE	FOR MO-3604,MO-3616			1
23	SM4040855SP	SCREW				1
24	12281804	TAKE-UP LEVER GUIDE, 2-NEEDLE	FOR MO-3614			1
25	12281903	TAKE-UP LEVER GUIDE CHAIN LOOP	FOR MO-3616			1
26	12112108	NEEDLE THREAD GUIDE STAND				1
27	SM4040855SP	SCREW				2
28	SS6080720SP	SCREW				1
29	12280608	NEEDLE CLAMP HOLDER				1
30	12280905	NEEDLE THREAD PRESSER GUIDE A	FOR MO-3604,MO-3614			1
31	12110904	NEEDLE THREAD PRESSER PLATE				1
32	12110805	NEEDLE THREAD PRESSER SPRING				1
33	SD0280401SL	HINGE SCREW D=2.8 H=4				1
34	12281002	NEEDLE THREAD PRESSER GUIDE B	FOR MO-3616			1
35	12281408	NEEDLE THREAD TAKE-UP LEVER	FOR MO-3604			1
36	SS6090670TP	SCREW 9/64-40 L=6				2
37	12281507	TAKE-UP LEVER, 2-NEEDLE	FOR MO-3614			1
38	12281606	TAKE-UP LEVER, CHAIN LOOPER	FOR MO-3616			1
39	SS8080310TP	SCREW 1/8-44 L=2.8	FOR MO-3604			1
40	MDC270B1100	NEEDLE DCX27 #11	FOR MO-3604			1
41	SS8080310TP	SCREW 1/8-44 L=2.8	FOR MO-3614,MO-3616			2
42	MDC270B1100	NEEDLE DCX27 #11	FOR MO-3614,MO-3616			2
43	12112207	COVER				1
44	12112306	FELT A				1
45	12253308	FELT B				1
46	BT0600402EA	OIL TUBE				0.1

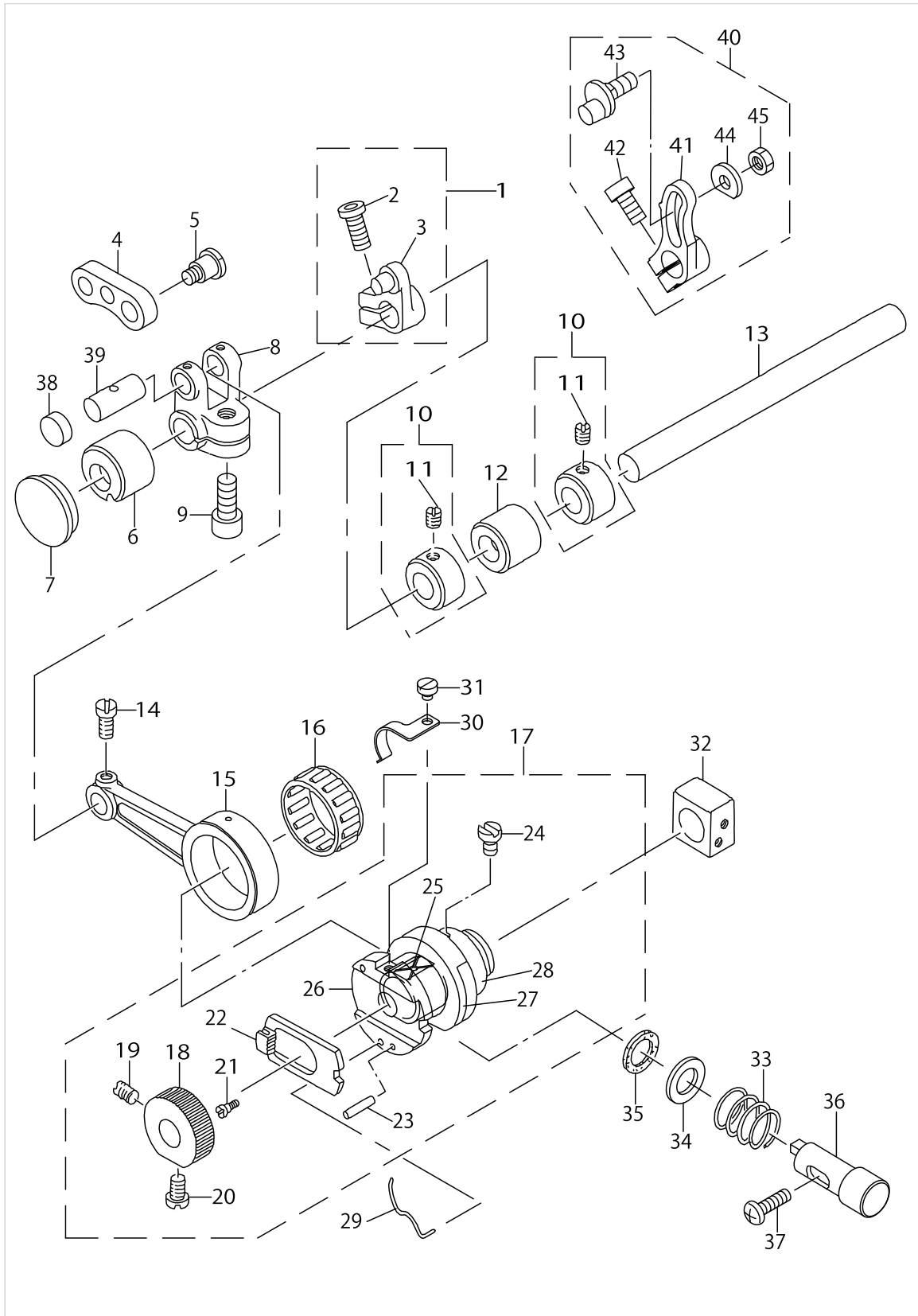
NEEDLE DRIVING SHAFT COMPONENTS



NEEDLE DRIVING SHAFT COMPONENTS

No.	Parts No.	Parts name	Remarks	Level	Cons	Qty
47	TA0951301R0	RUBBER PLUG				1
48	MC033600750	NEEDLE B-27 NM75	FOR JE(MO-3604)			1
49	12148607	NEEDLE CLAMP	FOR MO-3604			1
50	12148706	NEEDLE CLAMP, 2-NEEDLE	FOR MO-3614			1
51	12149803	NEEDLE CLAMP, CHAIN LOOPER	FOR MO-3616			1
52	12280400	NEEDLE DRIVING LINK				1
53	MC033600750	NEEDLE B-27 NM75	FOR JE(MO-3614,MO-3616)			2
54	RO118180100	RUBBER RING				1
55	12256004	OIL TUBE HOLDER				1

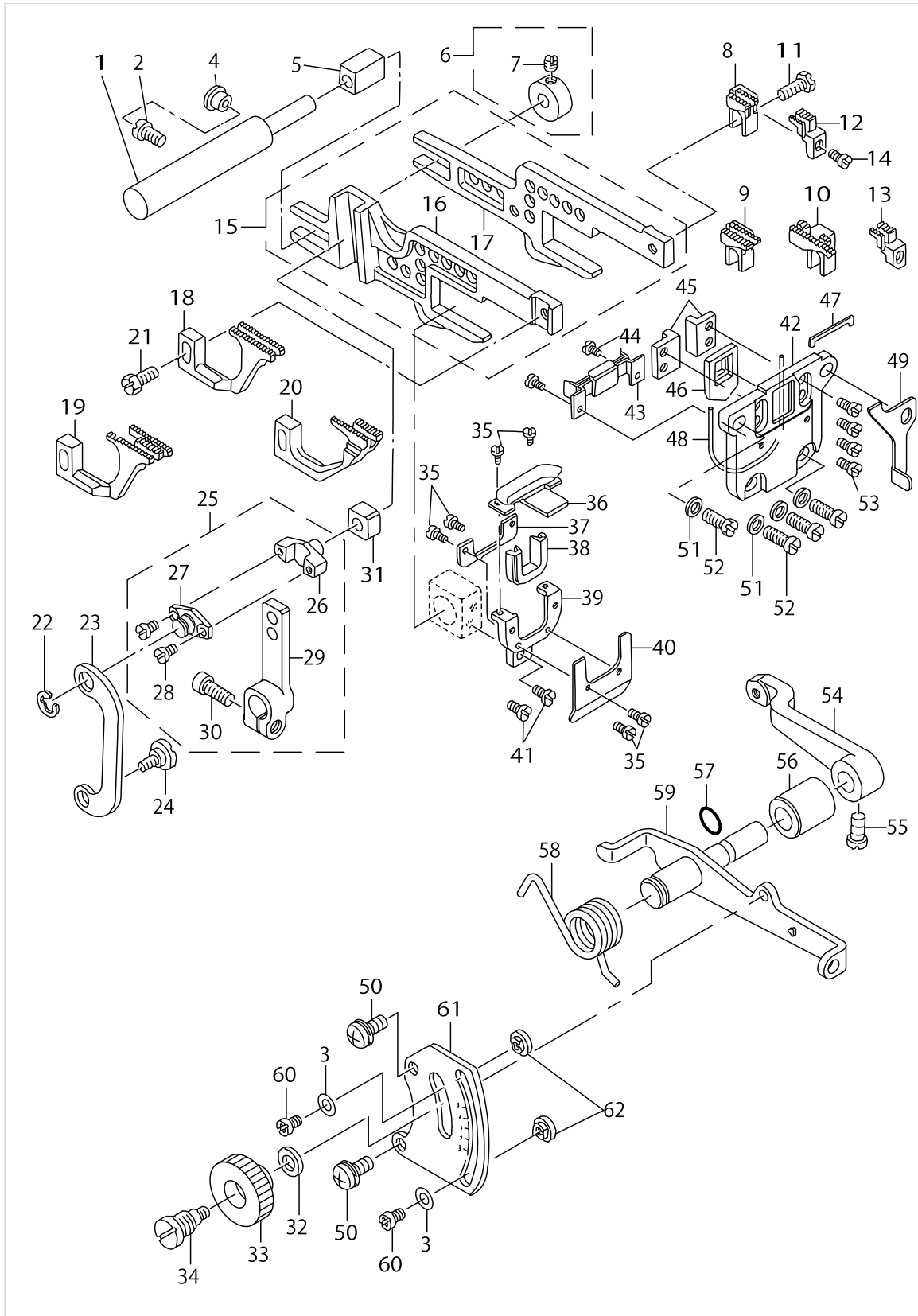
FEED MECHANISM COMPONENTS (1)



FEED MECHANISM COMPONENTS (1)

No.	Parts No.	Parts name	Remarks	Level	Cons	Qty
1	11827367	MAIN FEED ROCKER ASM.	FOR EXPORT			1
2	SM6051202TP	SCREW M5X0.8 L=12	FOR EXPORT	*		1
3	11827318	MAIN FEED ROCKER	FOR EXPORT	*		1
4	12273009	MAIN FEED LINK				1
5	SD0720601TH	HINGE SCREW D= 7.24 H= 6.0				1
6	12282703	FEED ROCKER SHAFT BUSHING, FRO				1
7	TA2050416R0	RUBBER PLUG				1
8	12284303	FORKED LINK				1
9	SM6061402TP	SCREW M6 L=14				1
10	CS095081ASH	THRUST COLLAR ASM. D=9.53 W=8				2
11	SS8110410TP	SCREW 11/64-40 L= 3.5		*		4
12	12282802	FEED ROCKER SHAFT BUSHING, REA				1
13	12283008	FEED SHAFT				1
14	SS7110910TP	SCREW 11/64-40 L= 8.5				1
15	12282604	CRANK ROD				1
16	12116703	NEEDLE BEARING B	SELECTING PART FOR FIT TOLERANCE			1
17	12116174	FEED ECCENTRIC BODY ASM.				1
18	12118808	RATCHET GEAR		*		1
19	SS8110750SP	SCREW 11/64-40 L= 6.5		*		1
20	SS6110710TP	SCREW 11/64-40 L= 6.5		*		1
21	SD0260271SP	HINGE SCREW D= 2.60 H= 2.7		*		1
22	B1604704000	RATCHET PAWL		*		1
23	PS0300132KH	SPRING PIN 3X13		*		2
24	SS7110810SP	SCREW 11/64-40 L= 8.0		*		2
25	12116307	FEED CAM BLOCK		*		1
26	12116406	FEED ADJUSTING CAM		*		1
27	12116216	FEED CAM		*		1
28	12116117	FEED ECCENTRIC BODY		*		1
29	B1606704000	RATCHET PAWL SPRING				1
30	12117107	RATCHET GEAR SPRING				1
31	SS6080320SP	SCREW 1/8-44 L= 2.5				1
32	11828704	SLIDE BLOCK				1
33	B1652704000	SPRING				1
34	B1654704000	WASHER				1
35	B1651704000	FELT				1
36	12287603	PUSH BUTTON STUD				1
37	SM4041455SN	SCREW M4 L=14				1
38	TA1030402R0	RUBBER PLUG D=10.3 L=4				1
39	11823804	CRANK PIN C	SELECTING PART FOR FIT TOLERANCE			1
40	11824067	MAIN FEED ROCKER ASM.	FOR JAPAN			1
41	11530110	MAIN FEED ROCKER		*		1
42	SM6051202TP	SCREW M5X0.8 L=12		*		1
43	11824018	PIN		*		1
44	11948601	WASHER B		*		1
45	NS6620320SP	NUT 3/16-32		*		1

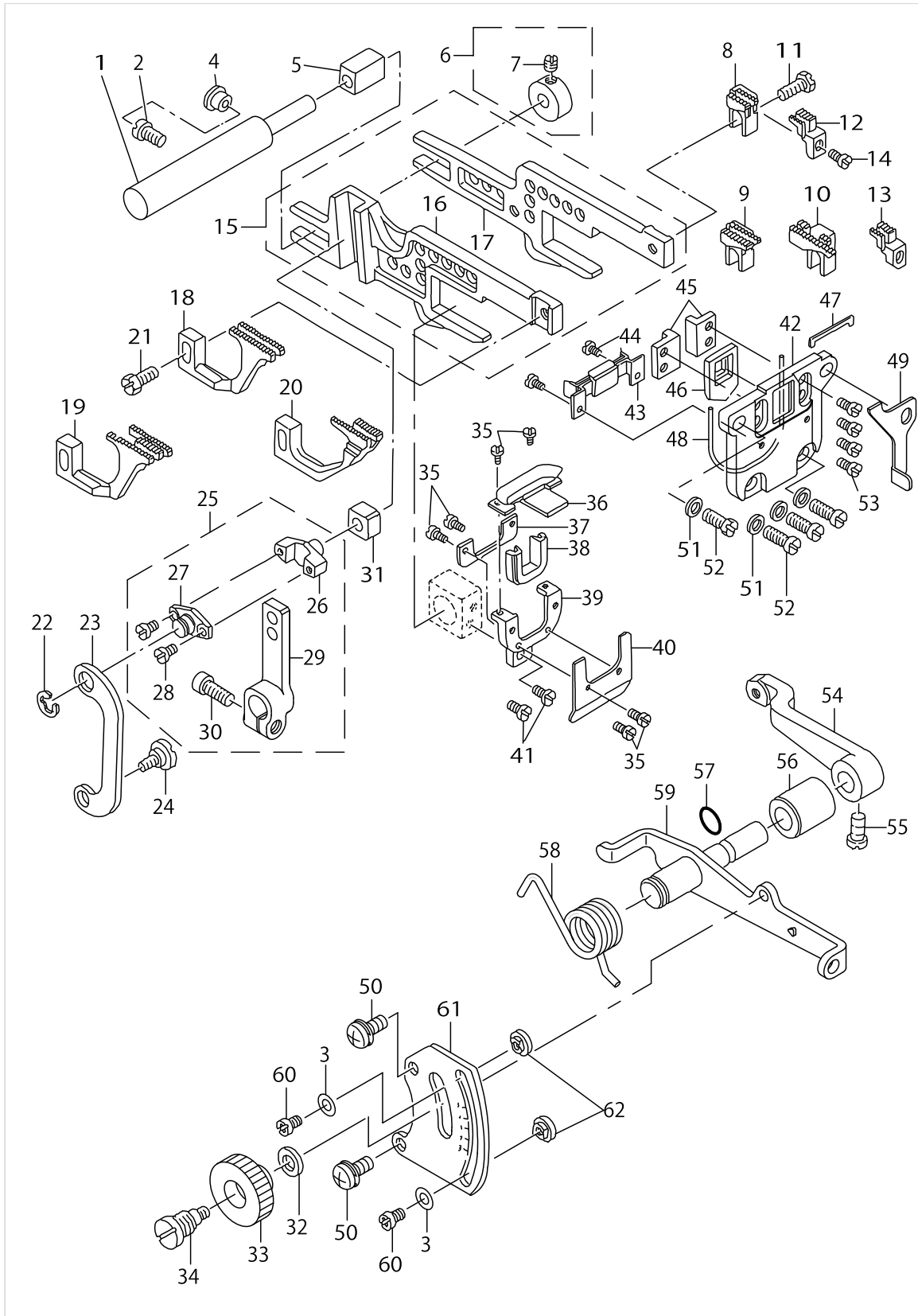
FEED MECHANISM COMPONENTS (2)



FEED MECHANISM COMPONENTS (2)

No.	Parts No.	Parts name	Remarks	Level	Cons	Qty
1	11827409	FEED BAR SHAFT				1
2	SM4040855SP	SCREW				1
3	WP0371016SD	WASHER 3.7X8X1				2
4	TA0800504R0	PLUG D=8 L=4.5				1
5	B1624704000	SLIDE BLOCK				1
6	11828050	COLLAR ASM.				1
7	SS8110410TP	SCREW 11/64-40 L= 3.5		*		1
8	11882107	MAIN FEED DOG	FOR MO-3604			1
9	11949807	MAIN FEED DOG	FOR MO-3614			1
10	11882800	MAIN FEED DOG	FOR MO-3616			1
11	SS9111050SP	SCREW 11/64-40 L=9.5				1
12	11887106	AUXILIARY FEED DOG	FOR MO-3604,MO-3614			1
13	11887403	AUXILIARY FEED DOG	FOR MO-3616			1
14	SS4080610SP	SCREW 1/8-44 L=6.4				1
15	12117461	MAIN FEED BAR ASM.				1
16	12117511	DIFFERENTIAL FEED BAR		*		1
17	12117412	MAIN FEED BAR		*		1
18	B165780400T	DIFFERENTIAL FEED DOG	FOR MO-3604			1
19	11949906	DIFFERENTIAL FEED DOG	FOR MO-3614			1
20	12172805	DIFFERENTIAL FEED DOG	FOR MO-3616			1
21	SS9111010SP	SCREW 11/64-40 L=9.5				1
22	RE0500000K0	E-RING				1
23	11826310	ADJUSTING LINK				1
24	SD0720271SP	HINGE SCREW D=7,2 H=2,7				1
25	11828563	DIFFERENTIAL FEED ROCKER ASM.				1
26	11825304	PIN		*		1
27	11826401	PIN COVER		*		1
28	SS6080410SP	SCREW 1/8-44 L=4		*		2
29	11828514	DIFFERENTIAL FEED ROCKER ASM.		*		1
30	SM6051202TP	SCREW M5X0.8 L=12		*		1
31	B1414555000	SLIDE BLOCK				1
32	WP0621016SD	WASHER 6.2X13X1				1
33	B1647704000A	DIFFERENTIAL FEED LOCK NUT				1
34	B1646704000A	DIFFERENTIAL FEED HINGE SCREW				1
35	SS7060310SP	SCREW 3/32-56 L=3				6
36	12119756	RUBBER PLATE ASM.				1
37	12119806	RUBBER PREESSER PLATE				1
38	12119608	OIL SHIELD RUBBER				1
39	12119905	RUBBER COVER				1
40	12120002	RUBBER BASE PLATE				1
41	SS7090620TP	SCREW 9/64-40 L=6.1				2
42	12119400	RUBBER CASE				1
43	11827607	OIL SHIELD RUBBER,LOWER				1
44	SS7060510SP	SCREW 3/32-56 L=4.8				2
45	12282901	FEED BAR SUPPORT				2
46	12119509	RUBBER				1
47	11827904	RUBBER				1

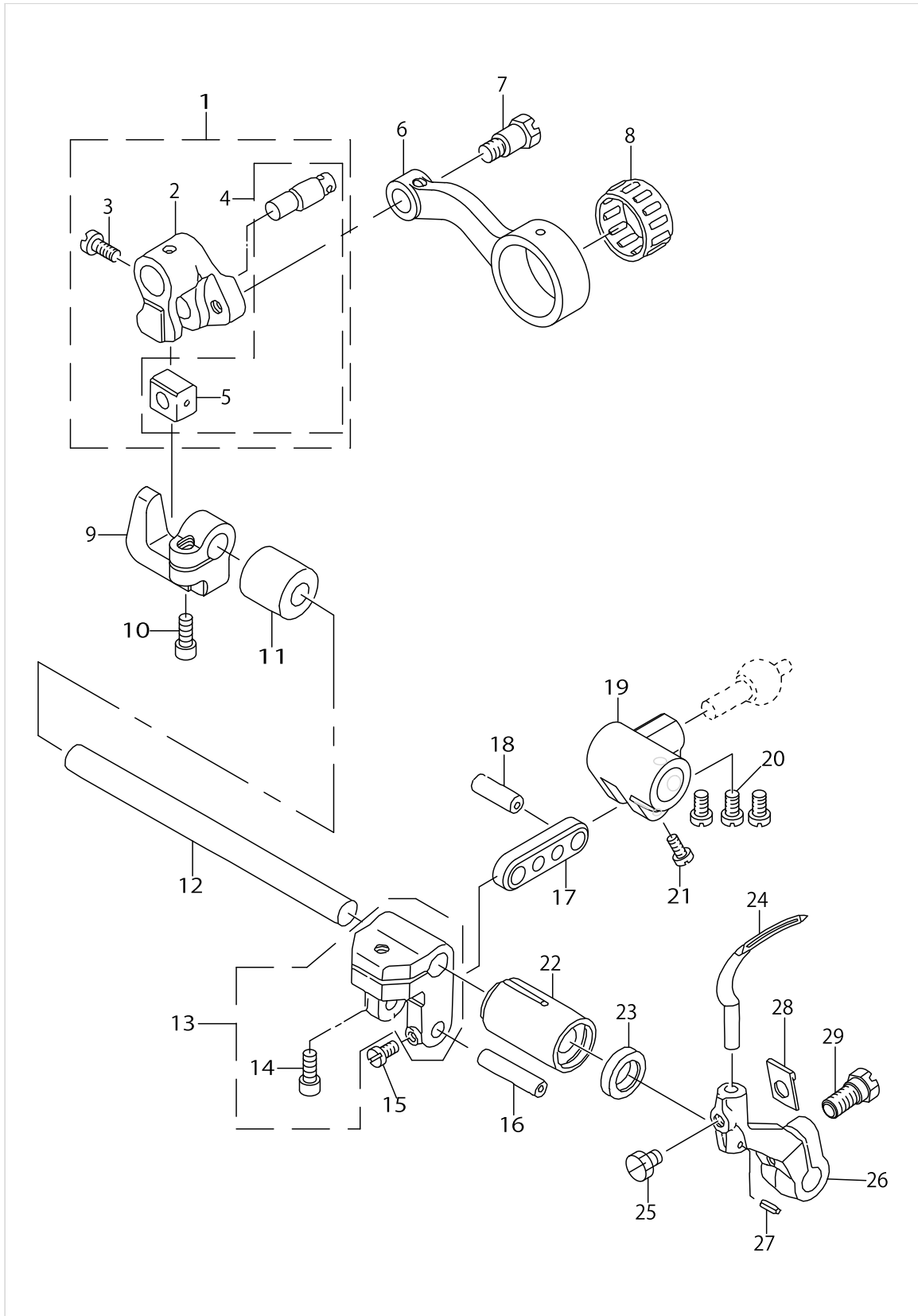
FEED MECHANISM COMPONENTS (2)



FEED MECHANISM COMPONENTS (2)

No.	Parts No.	Parts name	Remarks	Level	Cons	Qty
48	RO480120100	RUBBER RING				1
49	11828308	SUPPORT THROAT PLATE				1
50	SL4051231SC	SCREW M5 L=12				2
51	WP0480856SP	WASHER 4.8X8.4X0.8				4
52	SM4041055SP	SCREW				4
53	SS6090620SP	SCREW 9/64-40 L=6				4
54	11828605	DIFFERENTIAL FEED ROCKER				1
55	SS6661110SP	SCREW 1/4-40 L=11				1
56	B1645704000A	BUSHING				1
57	RO060150100	RUBBER RING				1
58	11991502	SPRING				1
59	12283255	ROCKER SHAFT ASM.				1
60	SS4090515SP	SCREW 9/64-40 L=5				2
61	12283107	DIFFERENTIAL FEED GRADUATION				1
62	11529005	STOPPER				2

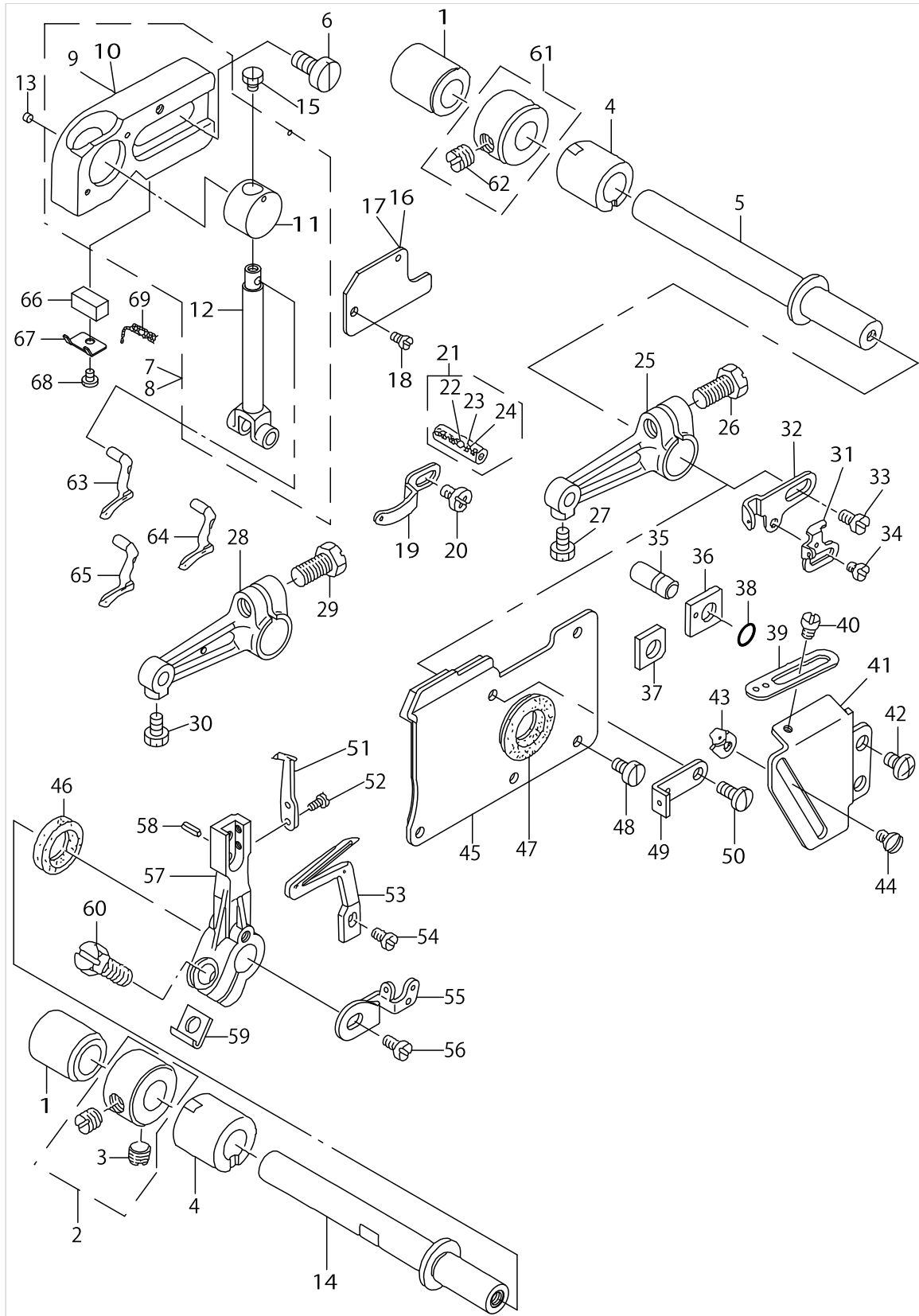
CHAIN LOOPER COMPONENTS (FOR MO-3616)



CHAIN LOOPER COMPONENTS (FOR MO-3616)

No.	Parts No.	Parts name	Remarks	Level	Cons	Qty
1	B21038160A0	SLIDER ARM ASM.				1
2	B2103816000B	CHAIN LOOPER SHAFT SLIDE ARM		*		1
3	SS7110720TP	SCREW 11/64-40 L=7		*		1
4	11829751	CHAIN LOOPER SLIDE BLOCK PIN		*		1
5	B2105816000	CHAIN LOOPER SLIDE BLOCK		*		1
6	12284105	CHAIN LOOPER ROD				1
7	SD0720803TH	STEP-SCREW D=7.24 H=8				1
8	B2119816B00	BEARING B	SELECTING PART FOR FIT TOLERANCE			1
9	12342309	BRACKET				1
10	SM6051202TP	SCREW M5X0.8 L=12				1
11	B2111716000	BUSHING, REAR				1
12	12283404	CHAIN LOOPER SHAFT				1
13	11539061	CHAIN LOOPER SHAFT DRIVING ARM				1
14	SM6051202TP	SCREW M5X0.8 L=12		*		1
15	SS4080610SP	SCREW 1/8-44 L=6.4				1
16	12258505	PIN, LONG	SELECTING PART FOR FIT TOLERANCE			1
17	12342200	CHAIN LOOPER SHAFT DRIV. LINK				1
18	12259008	PIN, SHORT	SELECTING PART FOR FIT TOLERANCE			1
19	12121612	DRIVING BALL ARM BRACKET				1
20	SS6110710TP	SCREW 11/64-40 L= 6.5				3
21	SS4080610SP	SCREW 1/8-44 L=6.4				1
22	12122008	BUSHING, FRONT				1
23	B2525352000	OIL SEAL RING				1
24	11829405	CHAIN LOOPER				1
25	SS9110430TP	SCREW 11/64-40 L=4				1
26	12283503	CHAIN LOOPER DRIVING ARM				1
27	PS0200062KH	SPRING PIN 2X6				1
28	B2531704000	WASHER				1
29	SS9151210TP	SCREW 15/64-28 L=11.8				1

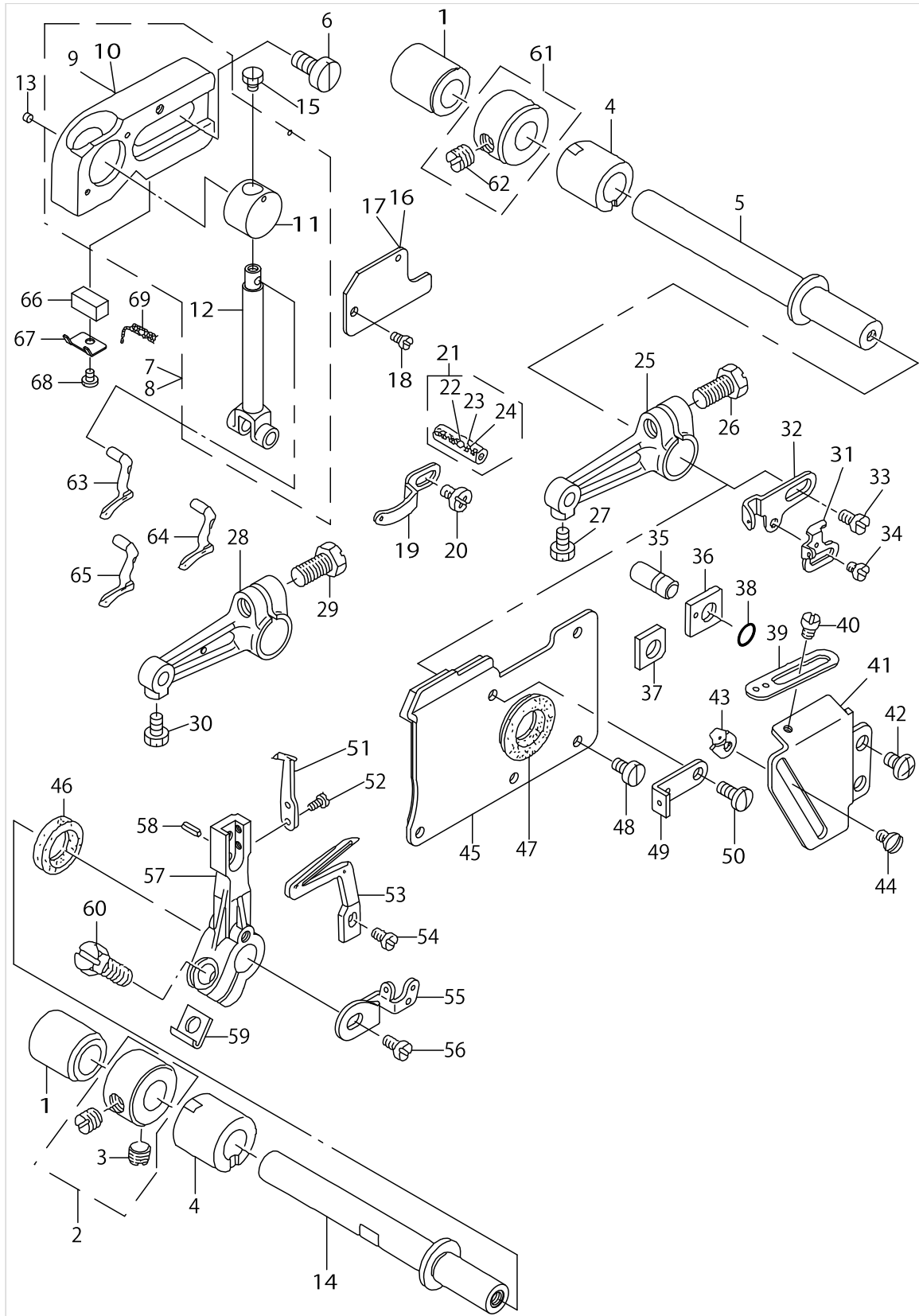
UPPER & LOWER LOOPER COMPONENTS



UPPER & LOWER LOOPER COMPONENTS

No.	Parts No.	Parts name	Remarks	Level	Cons	Qty
1	12254009	BUSHING, REAR				2
2	CS103121ASH	COLLAR ASM. D=10.32 W=12	FOR MO-3604,MO-3614			2
3	SS8660530TP	SCREW 1/4-40 L= 4.5		*		4
4	B2507804000B	BUSHING, FRONT				2
5	12122404	UPPER LOOPER SHAFT				1
6	SM6061200SP	SCREW				2
7	12273355	UPPER LOOPER GUIDE ASM.	FOR MO-3604,MO-3616			1
8	12273454	UPPER LOOPER GUIDE B ASM.	FOR MO-3614			1
9	11833613	UPPER LOOPER GUIDE SUPPORT	FOR MO-3604,MO-3616	*		1
10	11893302	UPPER LOOPER GUIDE SUPPORT B	FOR MO-3614	*		1
11	12273108	UPPER LOOPER GUIDE		*		1
12	12273207	UPPER LOOPER HOLDER		*		1
13	11842101	OIL FELT				1
14	12123410	LOWER LOOPER SHAFT				1
15	SS9090410TP	SCREW				1
16	11991601	UPPER LOOPER GUIDE COVER	FOR MO-3604,MO-3616			1
17	B251570400B	UPPER LOOPER GUIDE COVER B	FOR MO-3614			1
18	SS7060610SP	SCREW 3/32-56 L= 5.5				2
19	11833308	UPPER LOOPER THREAD GUIDE				1
20	SS4090615SP	SCREW 9/64-40 L=6				1
21	11831757	PIN ASM.	SELECTING PART FOR FIT TOLERANCE			1
22	11831708	OIL WICK STOPPER BALL		*		1
23	CQ202000000	OIL WICK		*		0.1
24	CQ200000000	OIL WICK		*		0.1
25	12284402	LOOPER HOLDER, A	FOR MO-3604,MO-3616			1
26	SS9151210TP	SCREW 15/64-28 L=11.8				1
27	SS9090610TP	SCREW 9/64-40 L=5.5				1
28	12284501	LOOPER HOLDER, B	FOR MO-3614			1
29	SS9151210TP	SCREW 15/64-28 L=11.8				1
30	SS9090610TP	SCREW 9/64-40 L=5.5				1
31	11833506	LOWER LOOPER THREAD TAKE-UP				1
32	12124004	THREAD TAKE-UP, RIGHT				1
33	SS7110840SP	SCREW 11/64-40 L=7.8				1
34	SS6080410SP	SCREW 1/8-44 L=4				1
35	11831906	PIN				1
36	11831807	GAUGE	FOR MO-3604,MO-3614			1
37	11991809	GAUGE	FOR MO-3616			1
38	RO037180100	RUBBER RING				1
39	12123907	THREAD GUIDE, RIGHT				1
40	SS3090610SP	SCREW 9/64-40 L=6				1
41	12123808	LOOPER THREAD TAKE-UP COVER				1
42	SM4040655SP	SCREW M4 L=6				2
43	11833407	LOWER LOOPER THREAD GUIDE				1
44	SS3090610SP	SCREW 9/64-40 L=6				1
45	12123659	OIL SHIELD PLATE ASM.				1
46	B2508704000	OIL SEAL				1
47	B2530704000	UPPER LOOPER SHAFT RUBBER RING				1

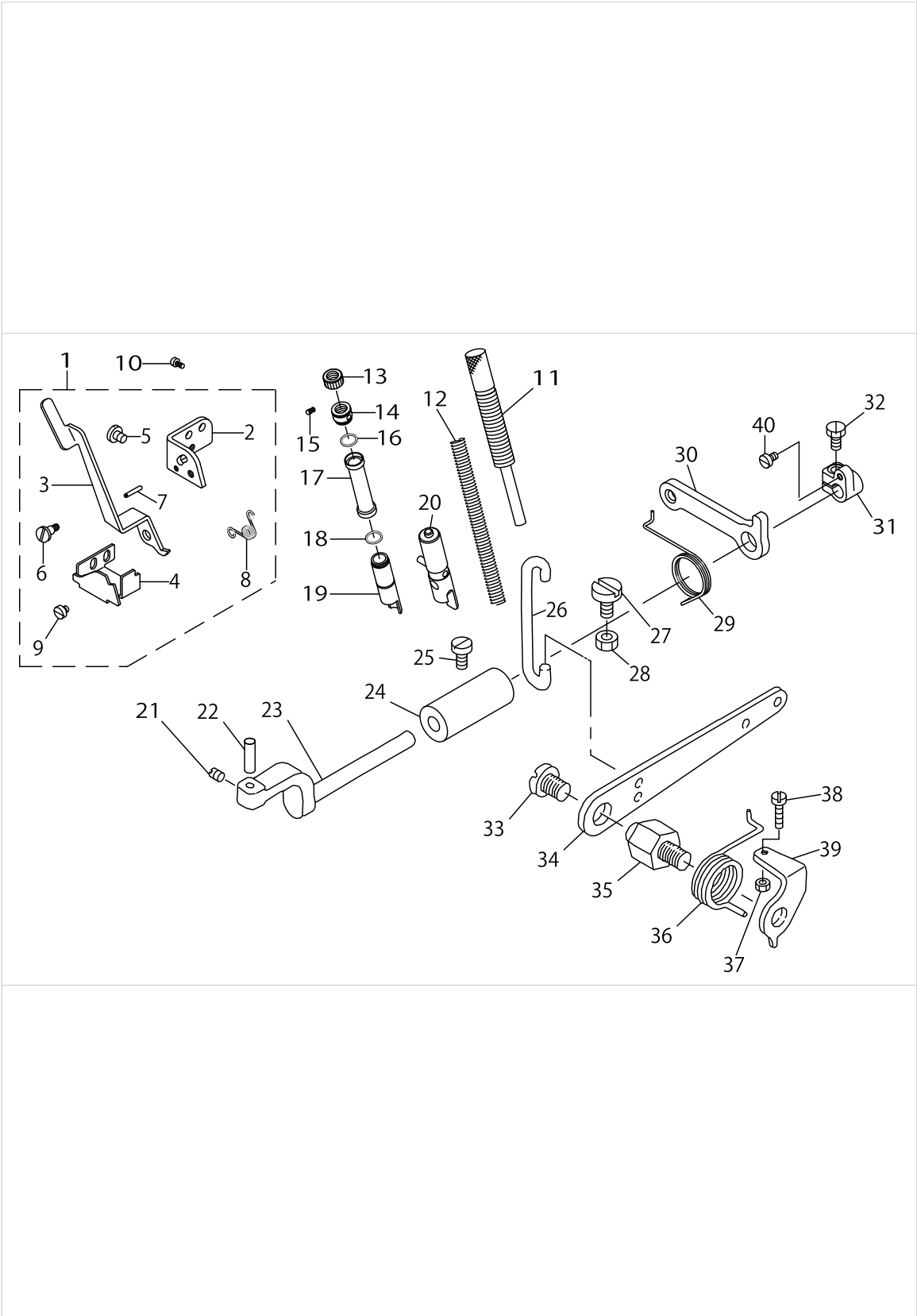
UPPER & LOWER LOOPER COMPONENTS



UPPER & LOWER LOOPER COMPONENTS

No.	Parts No.	Parts name	Remarks	Level	Cons	Qty
48	SS6090630SP	SCREW 9/64-40 L=6				4
49	11833100	LOOPER THREAD GUIDE				1
50	SS7090850SP	SCREW 9/64-40 L=8				1
51	11890001	TRAVELING NEEDLE GUARD				1
52	SS6060440TP	SCREW 3/32-56 L=3.5				2
53	11999307	LOWER LOOPER				1
54	SS6090620TP	SCREW				1
55	11833209	LOOPER THREAD TAKE-UP, LEFT				1
56	SS7110840SP	SCREW 11/64-40 L=7.8				1
57	12287306	LOWER LOOPER ARM				1
58	PS0300062KH	SPRING PIN 3X6				1
59	B2531704000	WASHER				1
60	SS9151210TP	SCREW 15/64-28 L=11.8				1
61	CS103121ASH	COLLAR ASM. D=10.32 W=12	FOR MO-3616			1
62	SS8660530TP	SCREW 1/4-40 L= 4.5		*		2
63	12176004	UPPER LOOPER	FOR MO-3614			1
64	11888104	UPPER LOOPER	FOR MO-3604,MO-3616 (NEEDLE #9,#11,#14)			1
65	11999208	UPPER LOOPER	FOR MO-3604,MO-3616 (NEEDLE #14,#16,#18)			1
66	12130803	OIL FELT				1
67	12130704	FELT HOLDER				1
68	SS7060310SP	SCREW 3/32-56 L=3				1
69	CQ202000000	OIL WICK				0.1

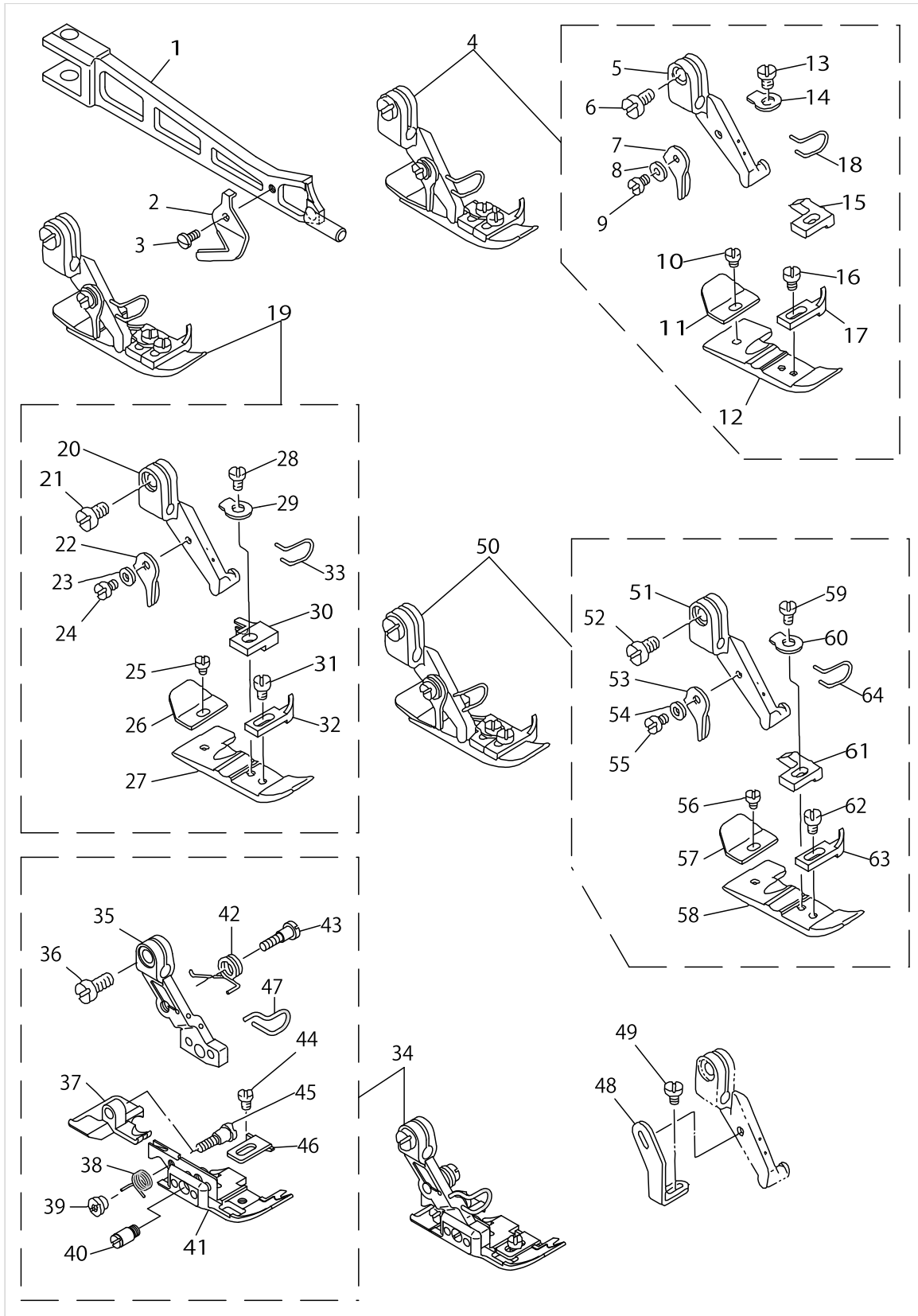
PRESSER FOOT COMPONENTS (1)



PRESSER FOOT COMPONENTS (1)

No.	Parts No.	Parts name	Remarks	Level	Cons	Qty
1	12282257	FOOT LIFTING LEVER STAND ASM.				1
2	12282208	FOOT LIFTING LEVER STAND		*		1
3	12282307	PRESSER FOOT LIFTING LEVER		*		1
4	12282406	STOPPER		*		1
5	SM7040550SP	SCREW M4 L=5		*		2
6	SD0640246SP	HINGE SCREW D=6.35 H=2.4		*		1
7	PS0300142KH	SPRING PIN 0.3 X 14		*		1
8	12282505	SPRING		*		1
9	SM6030350SD	SCREW M3 L=2.9		*		1
10	SS4110715SP	SCREW 11/64-40 L=7				2
11	12287207	PRESSER REGULATOR SCREW				1
12	12115903	PRESSER SPRING				1
13	12114807	PRESSER REGULATOR NUT				1
14	12288700	PRESSER REGULATOR SCREW WASHER				1
15	SM8040402TP	SCREW M4X0.7 L=4				1
16	RO110090100	RUBBER RING				1
17	12114906	PRESSER BAR COVER				1
18	RO110090100	RUBBER RING				2
19	12282109	PRESSER BAR BUSHING				1
20	12114468	PRESSER BAR ASM.				1
21	SS8110510SP	SCREW 11/64-40 L=5				1
22	B1534804000	PRESSER FOOT ARM HINGE SHAFT				1
23	12113205	PRESSER FOOT SHAFT				1
24	12113304	BUSHING				1
25	SS6121020SP	SCREW 3/16-28 L= 9.5				1
26	11819414	LIFTING HOOK				1
27	SM6061200SP	SCREW				1
28	NM6060003SC	NUT M6				1
29	11819703	PRESSER FOOT ARM SPRING				1
30	12113502	LIFTING ARM				1
31	12113403	PRESSER FOOT SHAFT THRUST ARM				1
32	SS9151210TP	SCREW 15/64-28 L=11.8				1
33	SS7161040SP	SCREW 1/4-24 L= 9.5				1
34	11819315	LIFTING LEVER				1
35	11819109	LIFTING LEVER SCREW				1
36	11819208	LIFTING LEVER SPRING				1
37	NS6110420SP	NUT 11/64-40				1
38	SS7111410SP	SCREW 11/64-40 L=14				1
39	B1529804000	PRESSER FOOT LIFTING LEVER STO				1
40	SS6110710TP	SCREW 11/64-40 L= 6.5				1

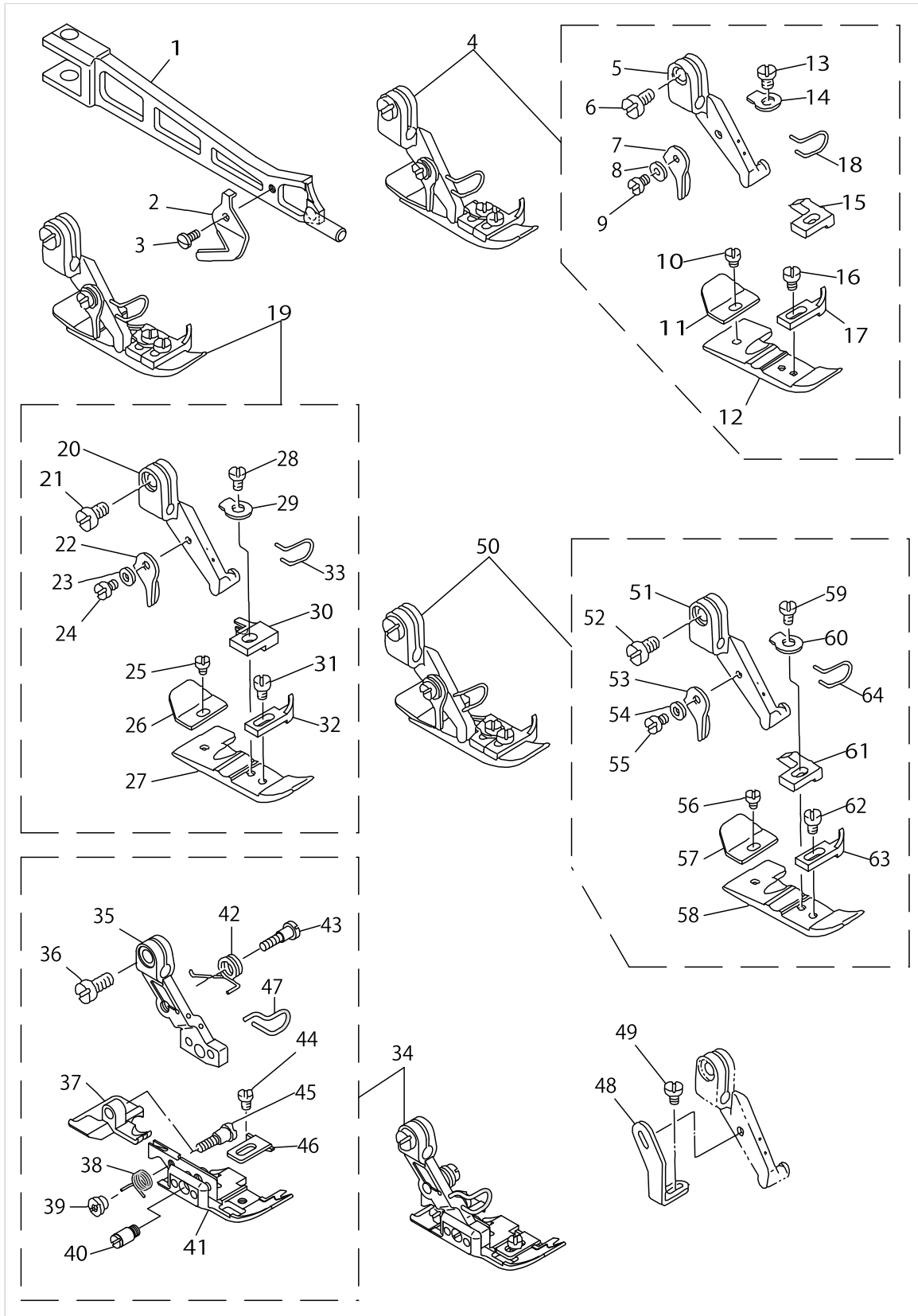
PRESSER FOOT COMPONENTS (2)



PRESSER FOOT COMPONENTS (2)

No.	Parts No.	Parts name	Remarks	Level	Cons	Qty
1	12253811	PRESSER FOOT ARM				1
2	B1528804000A	THREAD TRIMMER				1
3	SS7060510SP	SCREW 3/32-56 L=4.8				1
4	11876166	PRESSER FOOT ASM.	FOR MO-3604			1
5	11872009	PRESSER FOOT HINGE		*		1
6	SS6090650SP	SCREW 9/64-40 L=6		*		1
7	B1530804000	STOPPER		*		1
8	WP0250516SD	WASHER 2.5X6X0.5		*		1
9	SS7060610SP	SCREW 3/32-56 L= 5.5		*		1
10	SS6060210SP	SCREW 3/32-56 L= 1.9		*		1
11	B1511814000	REAR PRESSER FOOT		*		1
12	B1507804C00	PRESSER FOOT		*		1
13	SS7080520SP	SCREW 1/8-44 L=4.9		*		1
14	B150880400B	SPRING		*		1
15	B1509804C00	STITCH TONGUE		*		1
16	SS6060440TP	SCREW 3/32-56 L=3.5		*		1
17	B1510814000	CURL GUARD		*		1
18	11820701	FINGER GUARD		*		1
19	12152468	PRESSER FOOT..(FINGER GUARD).	FOR MO-3614(FOR JAPAN)			1
20	11872009	PRESSER FOOT HINGE		*		1
21	SS6090650SP	SCREW 9/64-40 L=6		*		1
22	B1530804000	STOPPER		*		1
23	WP0250516SD	WASHER 2.5X6X0.5		*		1
24	SS7060610SP	SCREW 3/32-56 L= 5.5		*		1
25	SS6060210SP	SCREW 3/32-56 L= 1.9		*		1
26	B1511814000	REAR PRESSER FOOT		*		1
27	B150781400P	PRESSER FOOT		*		1
28	SS7080520SP	SCREW 1/8-44 L=4.9		*		1
29	B150880400B	SPRING		*		1
30	12160008	STITCH TONGUE		*		1
31	SS6060440TP	SCREW 3/32-56 L=3.5		*		1
32	B1510814000	CURL GUARD		*		1
33	11820701	FINGER GUARD		*		1
34	12153763	PRESSER FOOT ASM.	FOR MO-3616			1
35	12156907	PRESSER FOOT HINGE		*		1
36	SS6090650SP	SCREW 9/64-40 L=6		*		1
37	12164802	REAR PRESSER FOOT		*		1
38	12167805	SPRING, FOR REAR PRESSER FOOT		*		1
39	B1513816000	NUT, FOR REAR PRESSER FOOT		*		1
40	12167409	HINGE PIN		*		1
41	12162202	PRESSER FOOT		*		1
42	12167607	PRESSER FOOT ARM SPRING		*		1
43	B1514816000	SCREW		*		1
44	SS6060340SP	SCREW 3/32-56 L= 2.5		*		1
45	12167508	HINGE SCREW		*		1
46	12167706	PRESSER FOOT		*		1
47	12115408	FINGER GUARD		*		1

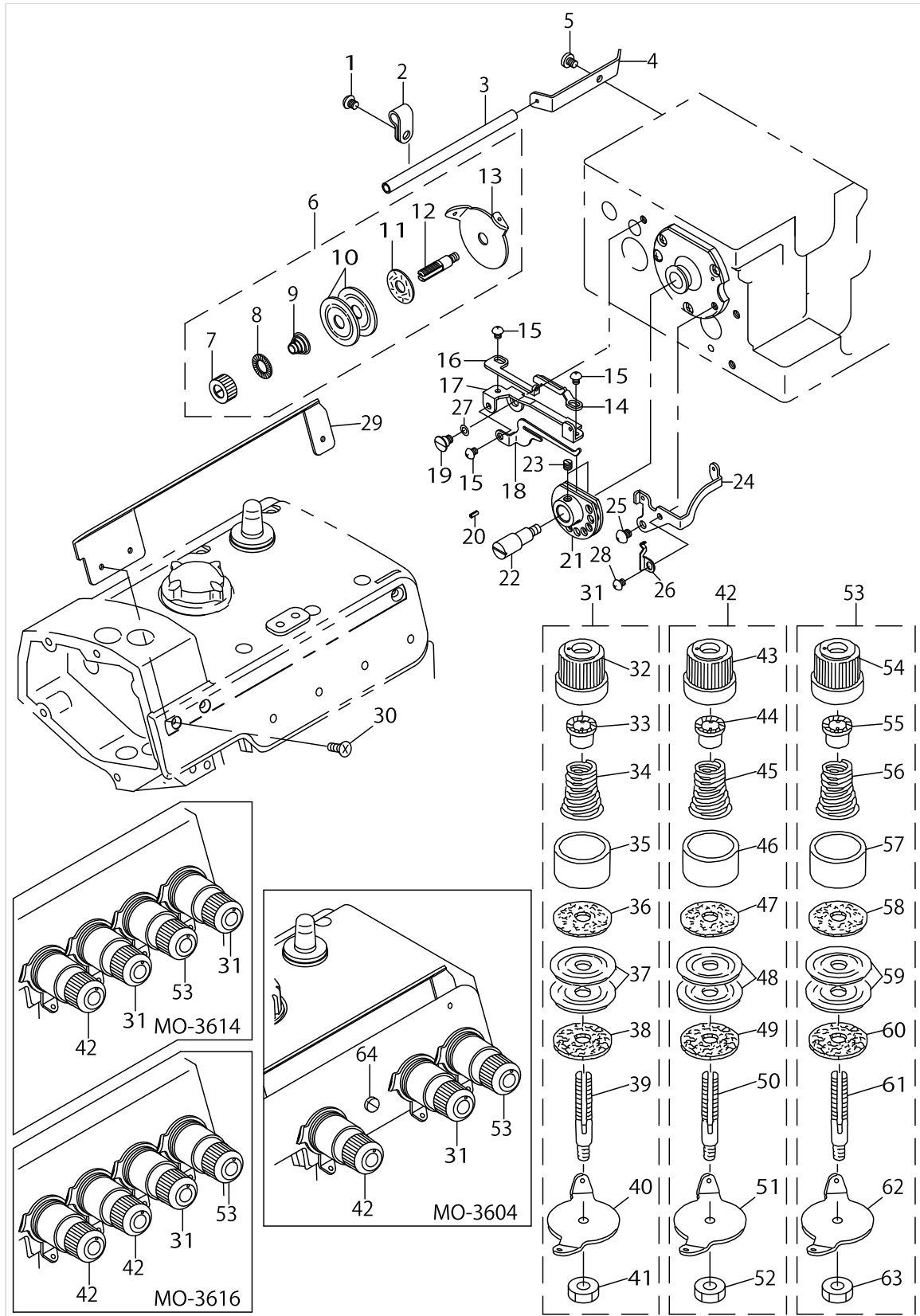
PRESSER FOOT COMPONENTS (2)



PRESSER FOOT COMPONENTS (2)

No.	Parts No.	Parts name	Remarks	Level	Cons	Qty
48	B1539804000	PRESSER FOOT FIXING PLATE	SPECIAL ORDER PART (FOR MO-3604,MO-3614)			1
49	SS6060410TP	SCREW 3/32-56 L= 3.5	SPECIAL ORDER PART (FOR MO-3604,MO-3614)			1
50	11876869	PRESSER FOOT ASM.	FOR MO-3614(FOR EXPORT)			1
51	11872009	PRESSER FOOT HINGE		*		1
52	SS6090650SP	SCREW 9/64-40 L=6		*		1
53	B1530804000	STOPPER		*		1
54	WP0250516SD	WASHER 2.5X6X0.5		*		1
55	SS7060610SP	SCREW 3/32-56 L= 5.5		*		1
56	SS6060210SP	SCREW 3/32-56 L= 1.9		*		1
57	B1511814000	REAR PRESSER FOOT		*		1
58	B150781400P	PRESSER FOOT		*		1
59	SS7080520SP	SCREW 1/8-44 L=4.9		*		1
60	B150880400B	SPRING		*		1
61	B150981400P	STITCH TONGUE		*		1
62	SS6060440TP	SCREW 3/32-56 L=3.5		*		1
63	B1510814000	CURL GUARD		*		1
64	11820701	FINGER GUARD		*		1

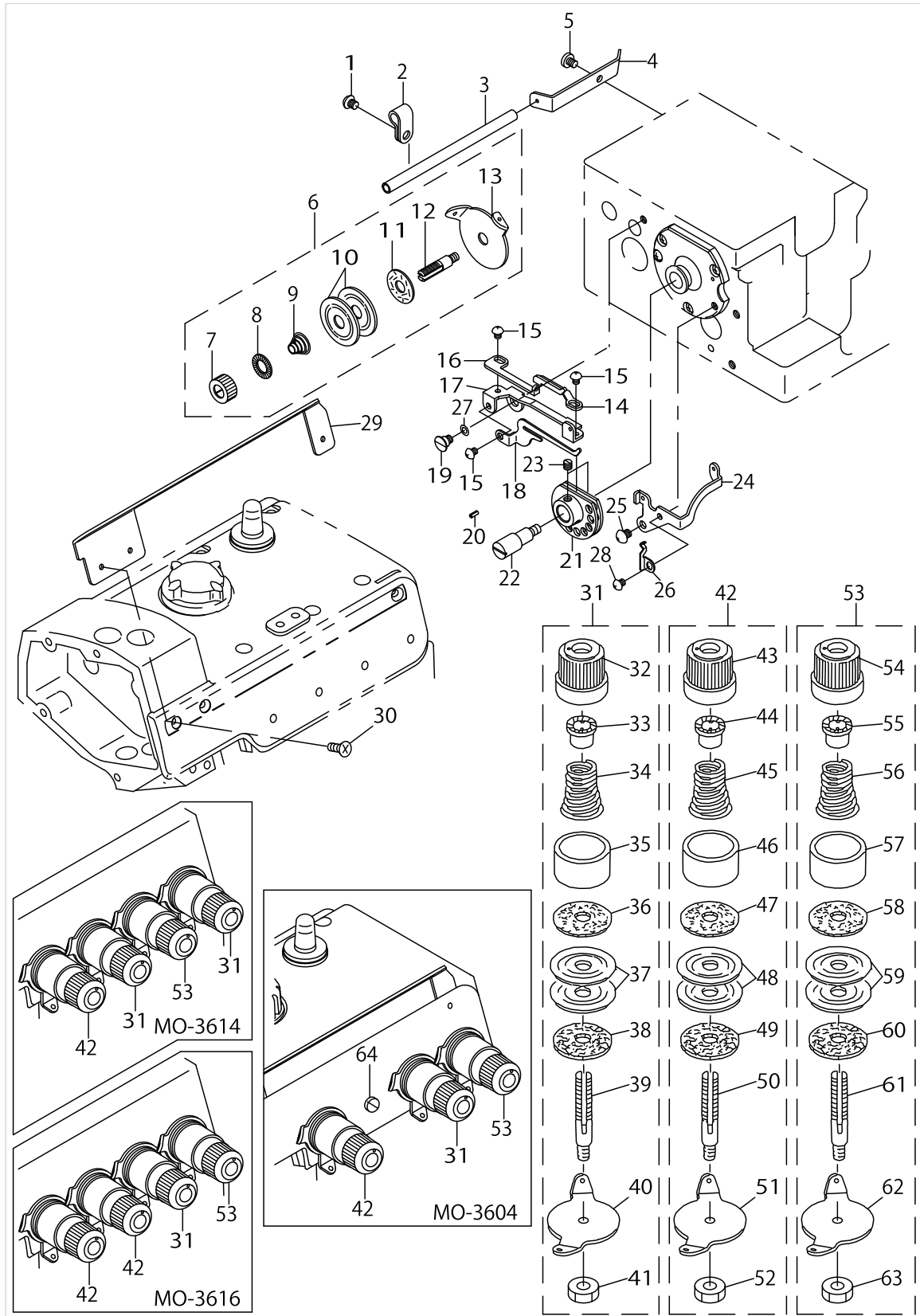
THREAD TENSION COMPONENTS



THREAD TENSION COMPONENTS

No.	Parts No.	Parts name	Remarks	Level	Cons	Qty
1	SM4050855SP	SCREW				1
2	B3113352000	MOUNTING BRACKET				1
3	B2401816000	LOOPER THREAD GUIDE TUBE				1
4	B2402716000	LOOPER THREAD GUIDE TUBE GUIDE				1
5	SS5150510SP	SCREW 15/64-28 L=5				1
6	12286050	TENSION CONTROLLER ASM.				1
7	12286308	TENSION POST NUT		*		1
8	12286506	ROTATING STOPPER		*		1
9	12286407	TENSION SPRING		*		1
10	12286605	THREAD TENSION DISK		*		2
11	12286209	THREAD TENSION FELT		*		1
12	12286001	THREAD TENSION POST		*		1
13	12286100	THREAD GUIDE		*		1
14	12283701	THREAD GUIDE A				1
15	SS4090415SP	SCREW 9/64-40 L=4				3
16	12283800	THREAD GUIDE B				1
17	12283602	THREAD GUIDE BASE				1
18	12283909	THREAD GUIDE HOOK				1
19	SD0600341TP	HINGE SCREW D=6.0 H=3.4				1
20	PS0200052KH	SPRING PIN 2.3X5				1
21	12347555	LOWER THREAD CAM COMPL.				1
22	12287405	SHAFT				1
23	SS8110410TP	SCREW 11/64-40 L= 3.5				2
24	12284006	THREAD GUIDE				1
25	SS4110515SP	SCREW 11/64-40 L=5				1
26	12121307	THREAD GUIDE SPRING				1
27	WZ0640312K0	WAVED WASHER				1
28	SS4090415SP	SCREW 9/64-40 L=4				1
29	12288502	CENTER THREAD GUIDE				1
30	SM1030601SC	SCREW M3 L=6				3
31	12284857	THREAD TENSION SPRING JUNCTION				1
32	12285102	THREAD TENSION KNOB, YELLOW		*		1
33	12285508	TENSION SPRING BUSHING		*		1
34	12284808	TENSION SPRING, YELLOW		*		1
35	12285409	TENSION DISK PRESSER		*		1
36	12285607	THREAD TENSION SPRING FELT		*		1
37	12285706	THREAD TENSION DISK		*		2
38	12285805	THREAD TENSION RUBBER		*		1
39	12285300	TENSION POST		*		1
40	12285904	THREAD GUIDE		*		1
41	NS6110420SP	NUT 11/64-40		*		1
42	12284758	THREAD TENSION SPRING JUNCTION				1
43	12285003	THREAD TENSION KNOB, RED		*		1
44	12285508	TENSION SPRING BUSHING		*		1
45	12284709	TENSION SPRING, RED		*		1
46	12285409	TENSION DISK PRESSER		*		1
47	12285607	THREAD TENSION SPRING FELT		*		1

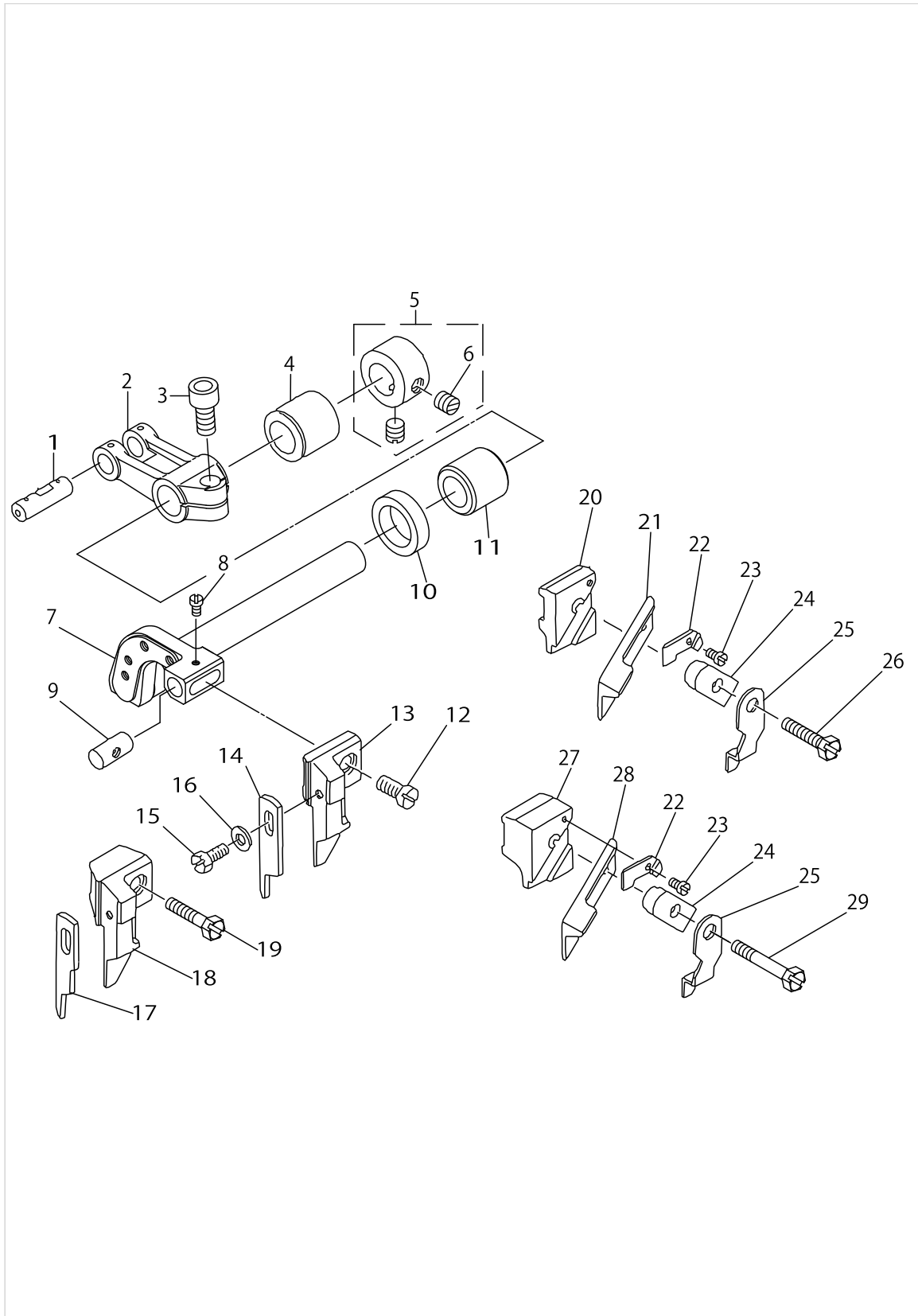
THREAD TENSION COMPONENTS



THREAD TENSION COMPONENTS

No.	Parts No.	Parts name	Remarks	Level	Cons	Qty
48	12285706	THREAD TENSION DISK		*		2
49	12285805	THREAD TENSION RUBBER		*		1
50	12285300	TENSION POST		*		1
51	12285904	THREAD GUIDE		*		1
52	NS6110420SP	NUT 11/64-40		*		1
53	12284956	THREAD TENSION SPRING JUNCTION				1
54	12285201	THREAD TENSION KNOB, BLUE		*		1
55	12285508	TENSION SPRING BUSHING		*		1
56	12284907	TENSION SPRING, BLUE		*		1
57	12285409	TENSION DISK PRESSER		*		1
58	12285607	THREAD TENSION SPRING FELT		*		1
59	12285706	THREAD TENSION DISK		*		2
60	12285805	THREAD TENSION RUBBER		*		1
61	12285300	TENSION POST		*		1
62	12285904	THREAD GUIDE		*		1
63	NS6110420SP	NUT 11/64-40		*		1
64	SS7110710SL	SCREW 11/64-40 L=7.0				1

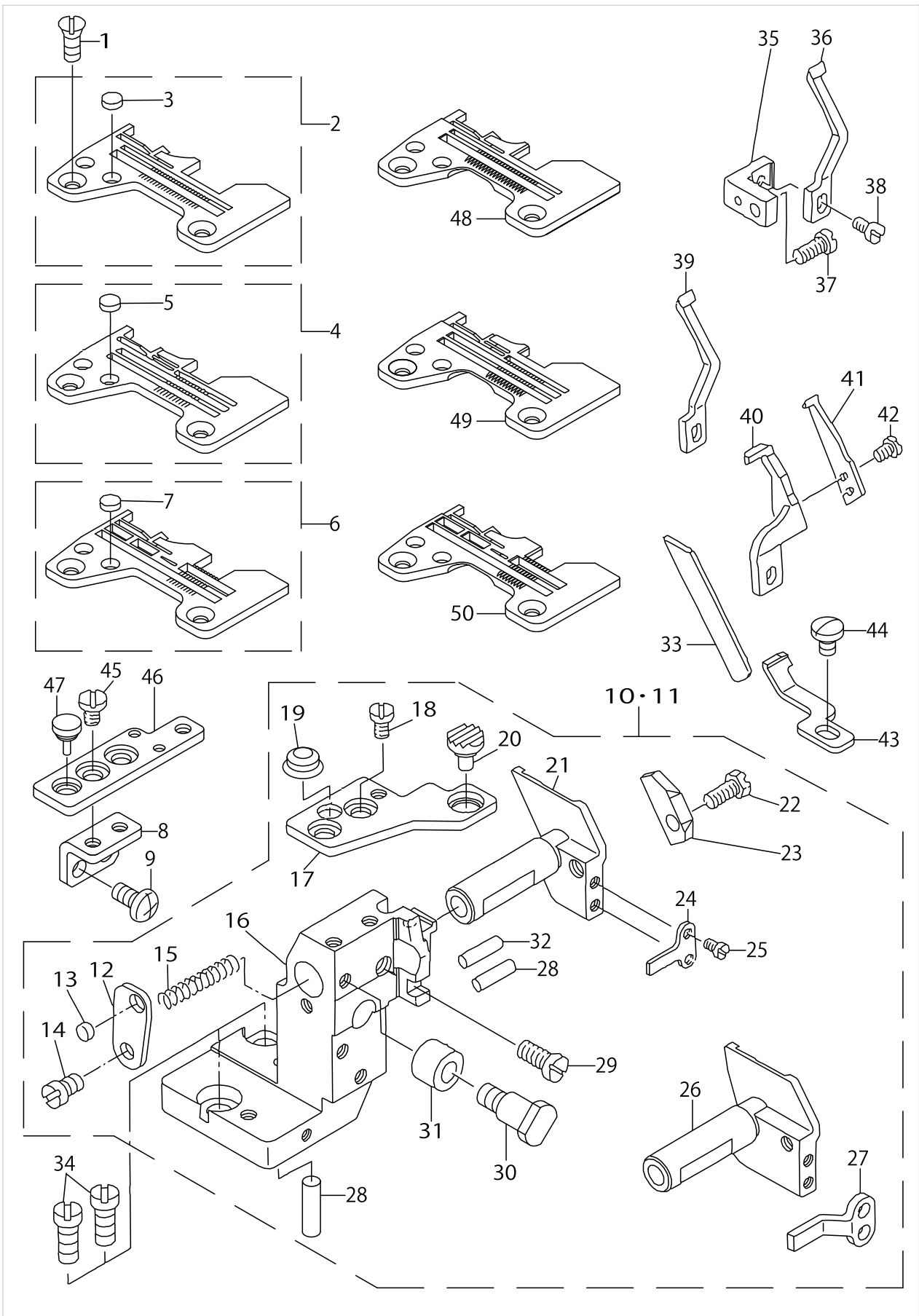
UPPER KNIFE COMPONENTS



UPPER KNIFE COMPONENTS

No.	Parts No.	Parts name	Remarks	Level	Cons	Qty
1	11823804	CRANK PIN C	SELECTING PART FOR FIT TOLERANCE			1
2	12286704	FEED FORKED ARM				1
3	SM6061402TP	SCREW M6 L=14				1
4	12132502	BUSHING, REAR				1
5	CS111101ESH	COLLAR ASM. D=11.11 W=10				1
6	SS8660330SP	SCREW 1/4-40 L= 3.0		*		2
7	12132304	KNIFE DRIVING ARM SHAFT				1
8	SS4060310SP	SCREW 3/32-56 L=2.5	FOR EXPORT			1
9	11565801	UPPER KNIFE GUIDE SHAFT				1
10	11566809	OIL SEAL				1
11	12132403	BUSHING, FRONT				1
12	SS6111040SP	SCREW 11/64-40 L= 9.5	FOR MO-3604,MO-3614(FOR JAPAN)			1
13	12133302	UPPER KNIFE SUPPORT A	FOR MO-3604,MO-3614(FOR JAPAN)			1
14	11845609	KNIFE	FOR MO-3604,MO-3614(FOR JAPAN)			1
15	SS9090813TP	SCREW 9/64-40 L=8	FOR JAPAN			1
16	WP0370316SD	WASHER 3.7X8X0.3	FOR JAPAN			1
17	11845708	KNIFE	FOR MO-3616(FOR JAPAN)			1
18	12133401	UPPER KNIFE SUPPORT	FOR MO-3616(FOR JAPAN)			1
19	SS6111610SP	SCREW 11/64-40 L=16	FOR MO-3616(FOR JAPAN)			1
20	11598000	UPPER KNIFE SUPPORT	FOR MO-3604,MO-3614(FOR EXPORT)			1
21	11845807	UPPER KNIFE	FOR MO-3604,MO-3614(FOR EXPORT)			1
22	11565702	WASHER	FOR EXPORT			1
23	SS4060310SP	SCREW 3/32-56 L=2.5	FOR EXPORT			1
24	11565504	UPPER KNIFE PRESSER PLATE	FOR EXPORT			1
25	11848405	UPPER KNIFE COVER	FOR EXPORT			1
26	SS9111610SP	SCREW 11/64-40 L=16	FOR MO-3604,MO-3614(FOR EXPORT)			1
27	11845500	UPPER KNIFE SUPPORT	FOR MO-3616(FOR EXPORT)			1
28	11845906	UPPER KNIFE	FOR MO-3616(FOR EXPORT)			1
29	SS9112310SP	SCREW 11/64-40 L=23	FOR MO-3616(FOR EXPORT)			1

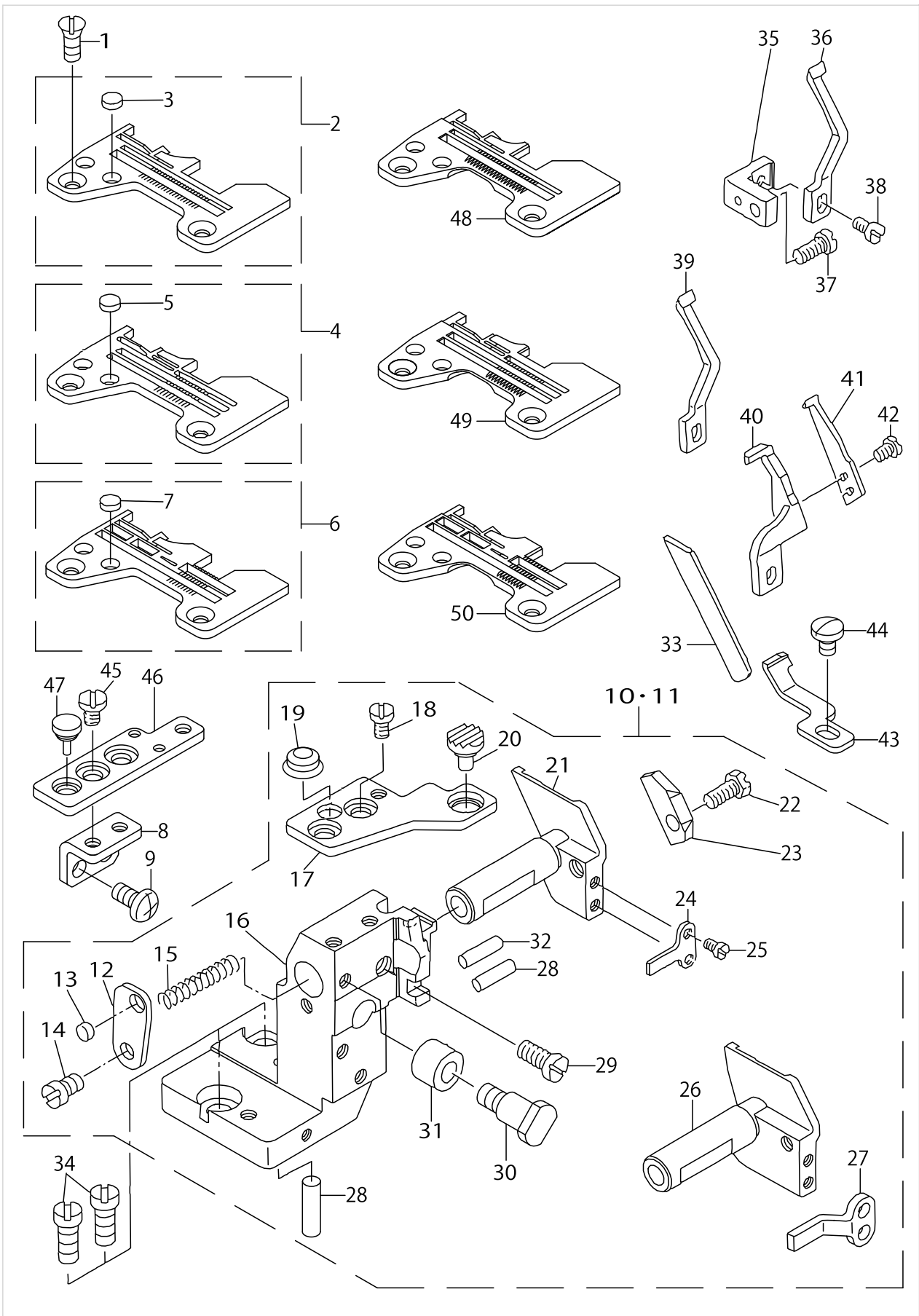
LOWER KNIFE COMPONENTS



LOWER KNIFE COMPONENTS

No.	Parts No.	Parts name	Remarks	Level	Cons	Qty
1	SS2110910SL	SCREW 11/64-40 L=9				2
2	R4200J0EDA0	THROAT PLATE ASM.	FOR MO-3604			1
3	11806304	PLUG		*		2
4	R4305J0EEA0	THROAT PLATE ASM.	FOR MO-3614			1
5	11806304	PLUG		*		2
6	R4508J0EDA0	THROAT PLATE ASM.	FOR MO-3616			1
7	11806304	PLUG		*		2
8	12288908	THROAT PLATE BASE B SUPPORT				1
9	SM4051055SP	SCREW				2
10	12257267	LOWER KNIFE BRACKET ASM.	FOR MO-3604,MO-3604(FOR JSP) MO-3614,MO-3614(FOR JSP)			1
11	12257366	LOWER KNIFE BRACKET ASM.	FOR MO-3616,MO-3616(FOR JSP)			1
12	12133211	SPRING STOPPER		*		1
13	11806304	PLUG		*		1
14	SS7110720SP	SCREW 11/64-40 L=7		*		1
15	11846607	SPRING		*		1
16	12132619	LOWER KNIFE BRACKET		*		1
17	12102208	THROAT PLATE BASE A		*		1
18	SS6110610TP	SCREW 11/64-40 L=6		*		2
19	12103701	RUBBER PLUG B		*		1
20	12103602	RUBBER PLUG A		*		1
21	12132700	LOWER KNIFE SLIDE STUD	FOR MO-3604,MO-3604(FOR JSP) MO-3614,MO-3614(FOR JSP)	*		1
22	SS9111010SP	SCREW 11/64-40 L=9.5		*		1
23	12133104	LOWER KNIFE PRESSER PLATE		*		1
24	12132908	ROTATING STOPPER	FOR MO-3604,MO-3604(FOR JSP) MO-3614,MO-3614(FOR JSP)	*		1
25	SS7090710SP	SCREW 9/64-40 L= 6.8		*		2
26	12132809	LOWER KNIFE SLIDE STUD	FOR MO-3616,MO-3616(FOR JSP)	*		1
27	12133005	ROTATING STOPPER	FOR MO-3616,MO-3616(FOR JSP)	*		1
28	11846805	HOLDER PIN		*		2
29	SS7151120SP	SCREW 15/64-28 L=11		*		1
30	B1423804000	UPPER PLATE		*		1
31	B1422804000	PIN		*		1
32	11846805	HOLDER PIN		*		1
33	11846003	LOWER KNIFE				1
34	SS6151440SP	SCREW 15/64-28 L=14				2
35	11847100	NEEDLE GUARD HOLDER				1
36	11890100	NEEDLE GUARD	FOR MO-3604,MO-3604(FOR JSP)			1
37	SS7110840SP	SCREW 11/64-40 L=7.8				1
38	SS7090610SP	SCREW 9/64-40 L=6				1
39	11890308	NEEDLE GUARD	FOR MO-3614,MO-3614(FOR JSP)			1
40	12015301	NEEDLE HOLDER	FOR MO-3616,MO-3616(FOR JSP)			1
41	12015400	NEEDLE HOLDER	FOR MO-3616,MO-3616(FOR JSP)			1
42	SS7060510SP	SCREW 3/32-56 L=4.8	FOR MO-3616,MO-3616(FOR JSP)			2
43	12177903	NEEDLE HOLDER	FOR MO-3616,MO-3616(FOR JSP)			1
44	SS7090510SP	SCREW 9/64-40 L= 4.6	FOR MO-3616,MO-3616(FOR JSP)			1
45	SS6110610TP	SCREW 11/64-40 L=6				2
46	12287801	THROAT PLATE BASE C				1

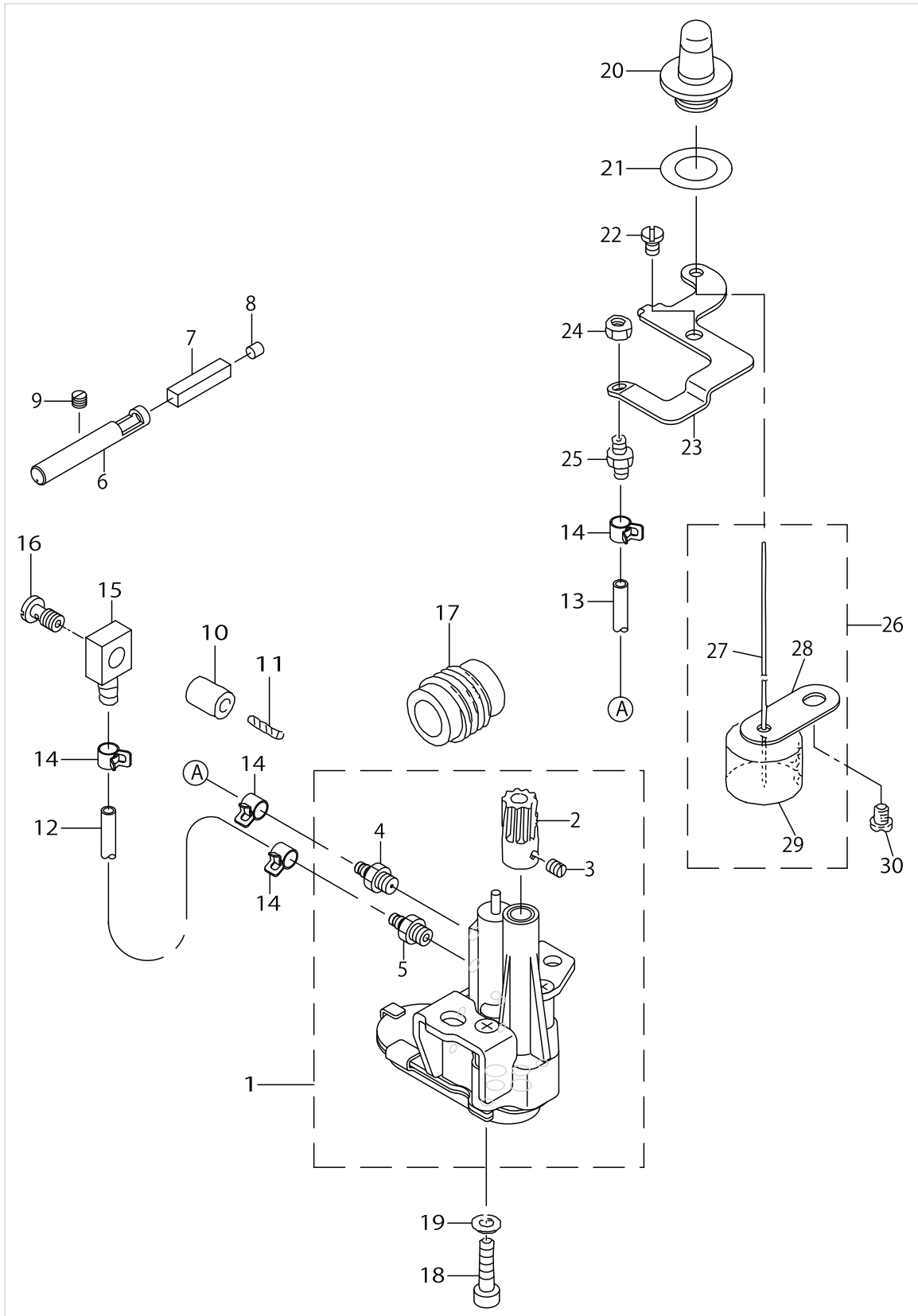
LOWER KNIFE COMPONENTS



LOWER KNIFE COMPONENTS

No.	Parts No.	Parts name	Remarks	Level	Cons	Qty
47	11804606	RUBBER PLUG				1
48	R4200J6ED00	THROAT PLATE	FOR MO-3604(FOR JSP)			1
49	R4305J6EE00	THROAT PLATE	FOR MO-3614(FOR JSP)			1
50	R4508J6ED00	THROAT PLATE	FOR MO-3616(FOR JSP)			1

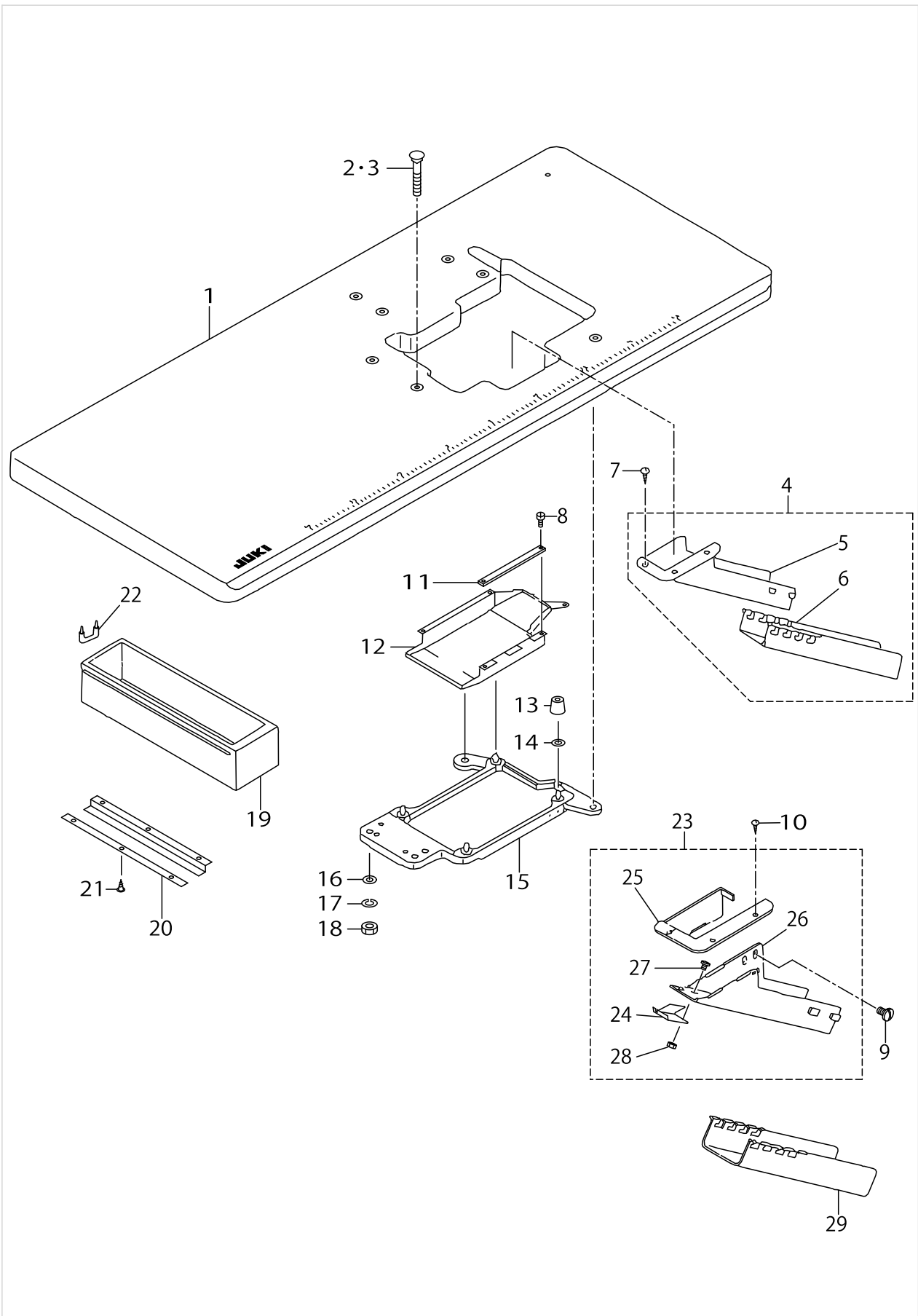
LUBRICATION MECHANISM COMPONENTS



LUBRICATION MECHANISM COMPONENTS

No.	Parts No.	Parts name	Remarks	Level	Cons	Qty
1	12275962	OIL PUMP ASM.				1
2	12256103	WORM GEAR		*		1
3	SS8110410TP	SCREW 11/64-40 L= 3.5		*		2
4	SQ1150453MZ	CONNECTING SCREW		*		1
5	SQ1150451MZ	CONNECTING SCREW		*		1
6	12130308	OILING PIN				1
7	12130407	OIL FELT				1
8	TA0400301M0	PLUG D=4X4.5 L=3				1
9	SM8050402TP	SCREW				1
10	11834603	OIL SUPPLY BUSH				1
11	12252706	OIL SUPPLY FELT				0.1
12	BP300000200	VINYL PIPE				0.2
13	BP300000200	VINYL PIPE				0.3
14	12256004	OIL TUBE HOLDER				4
15	SQ0000451MZ	CONNECTING SCREW				1
16	SQ1150441SD	CONNECTING SCREW				1
17	12271805	WORM				1
18	SM6061802TP	SCREW M6 L=18				2
19	WP0651056SH	WASHER 6.5X11X1				2
20	12130100	OIL GAUGE				1
21	12130209	RUBBER PACKING				1
22	SM4050855SP	SCREW				2
23	12255907	OILING EXIT SUPPORT				1
24	NS6110310SP	NUT 11/64-40				1
25	SQ1110451MZ	CONNECTING SCREW				1
26	12129854	FLOAT ASM.				1
27	12129904	OIL GAUGE BAR		*		1
28	12130001	FLOAT SUPPORT		*		1
29	12129805	FLOAT		*		1
30	SM4060801SE	SCREW				1

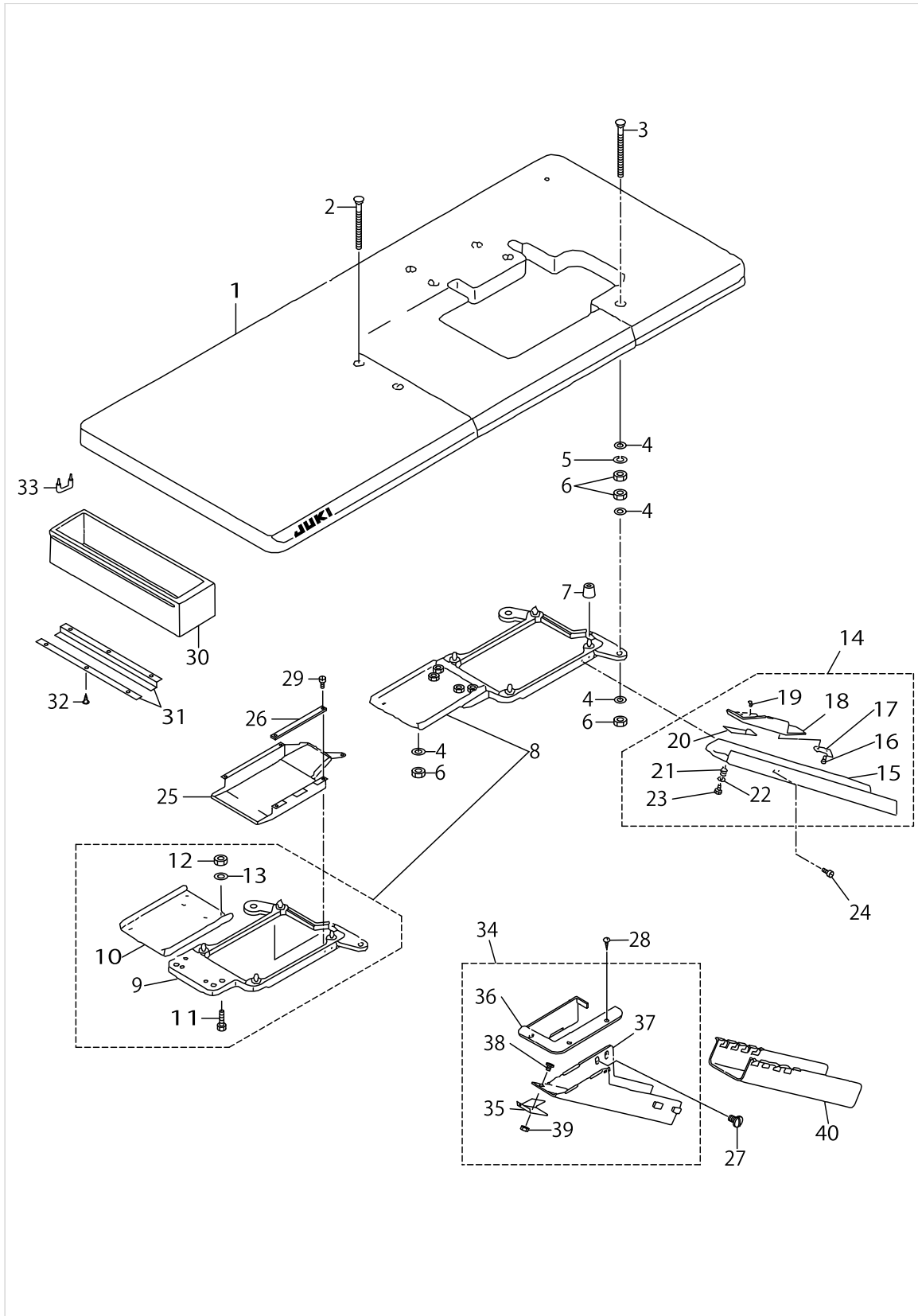
SEMI-SUNKEN TYPE TABLE COMPONENTS



SEMI-SUNKEN TYPE TABLE COMPONENTS

No.	Parts No.	Parts name	Remarks	Level	Cons	Qty
1	11959400	TABLE (SEMI-SUNKEN)				1
2	11966702	BOLT A	FOR JAPAN			4
3	11571601	BOLT A	FOR EXPORT			4
4	12341954	CLOTH WASTE CHUTE ASM.				1
5	12341905	CLOTH WASTE CHUTE(SEMI-SUNKEN)		*		1
6	12341806	CLOTH WASTE CHUTE		*		1
7	SK2351600SC	WOOD SCREW D=3.5 L=16				3
8	SS6090630SP	SCREW 9/64-40 L=6				5
9	SS5110710SP	SCREW 11/64-40 L=7	FOR JE			2
10	SK2351600SC	WOOD SCREW D=3.5 L=16	FOR JE			3
11	11850815	CASE SPONGE				1
12	11849411	COOLING FAN CASE				1
13	11571403	RUBBER CUSHION				4
14	11849601	SPACER				4
15	11849361	FRAME SUPPORT PLATE ASM.				1
16	WP1002036SE	WASHER 10X21X2				4
17	WS1002560KR	SPRING WASHER 10X18X2.5				4
18	NS6240630SE	NUT 3/8-18				4
19	11155108	DRAWER				1
20	11155207	DRAWER SUPPORT				2
21	SK3311500SC	WOOD SCREW D=3.1 L=15				6
22	D8204555D00	DRAWER STOPPER				1
23	12135554	CLOTH WASTE CHUTE ASM.	FOR JE			1
24	12135505	CLOTH WASTE CHUTE SUPPORT		*		1
25	11962800	CLOTH WASTE CHUTE INLET		*		1
26	11962909	CLOTH WASTE CHUTE, UPPER		*		1
27	SS5090610SP	SCREW 9/64-40 L=6		*		3
28	NS6090310SP	NUT 9/64-40		*		3
29	11960002	CLOTH WASTE CHUTE,LOWER(BENCH)	FOR JE			1

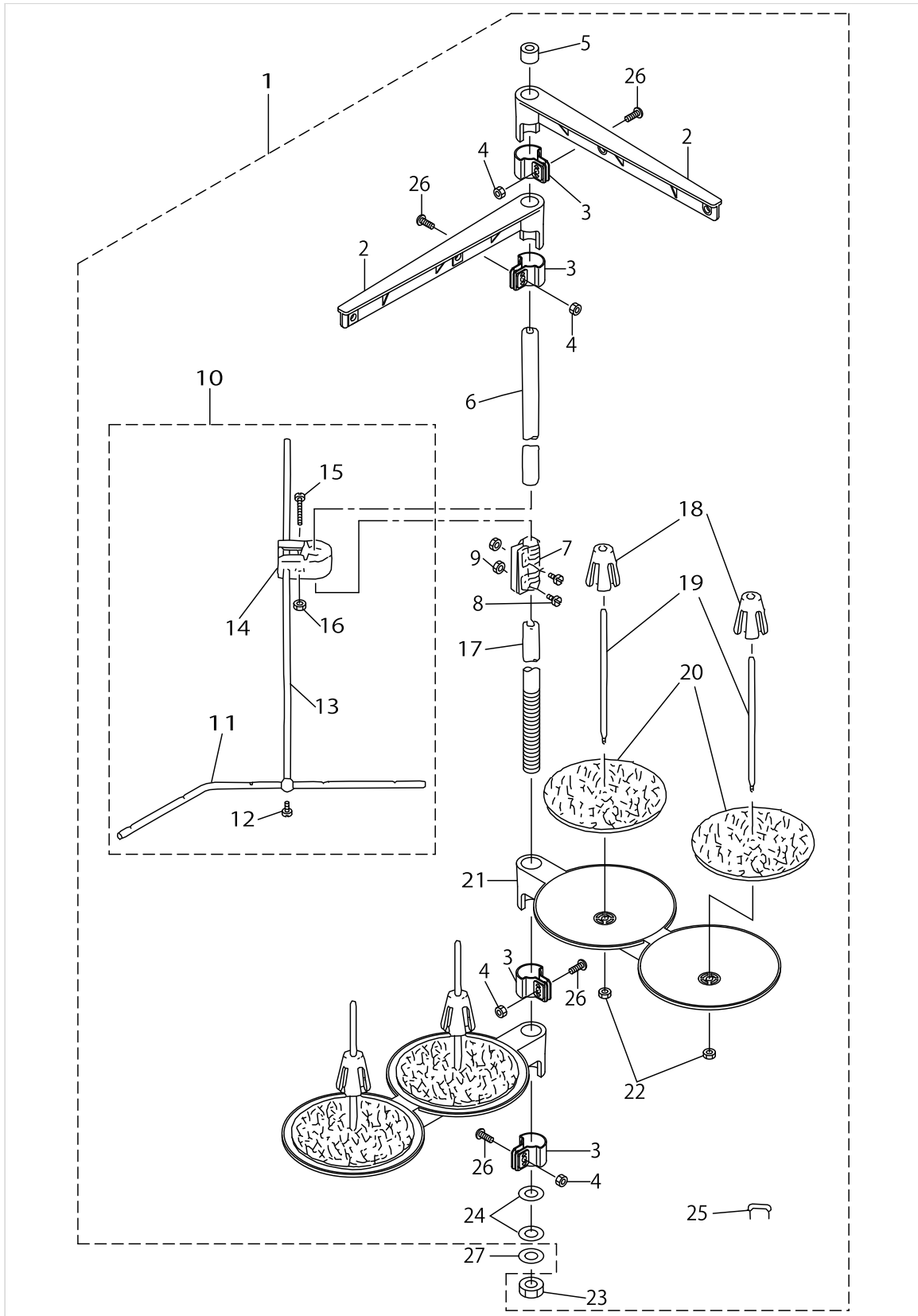
FULLY-SUNKEN TYPE TABLE COMPONENTS



FULLY-SUNKEN TYPE TABLE COMPONENTS

No.	Parts No.	Parts name	Remarks	Level	Cons	Qty
1	11959558	TABLE ASM.				1
2	11571809	BOLT C				2
3	11571908	BOLT D				2
4	WP1002036SE	WASHER 10X21X2				12
5	WS1002560KR	SPRING WASHER 10X18X2.5				4
6	NS6240630SE	NUT 3/8-18				12
7	11571403	RUBBER CUSHION				4
8	11849379	FRAME SUPPORT PLATE ASM.				1
9	11849361	FRAME SUPPORT PLATE ASM.		*		1
10	11850906	FRAME SUPPORT AUXILIARY PLATE		*		1
11	SM9082513CF	SCREW M8 L=25		*		4
12	NM6080600SM	NUT M8		*		4
13	WP0850002SC	WASHER 8.5X18X1.6		*		4
14	11960259	CLOTH CHUTE ASM.				1
15	11960200	CLOTH WASTE CHUTE		*		1
16	ST60308210A	SCREW D=3-24 L=8		*		2
17	11850401	CLOTH WASTE CHUTE INLET LEVER		*		1
18	11960309	CLOTH WASTE CHUTE HOLE		*		1
19	SS6090420SP	SCREW 9/64-40 L= 4.0		*		2
20	11850609	RUBBER		*		1
21	11850500	SPRING		*		1
22	WP0370316SD	WASHER 3.7X8X0.3		*		1
23	ST60308210A	SCREW D=3-24 L=8		*		1
24	SS5110710SP	SCREW 11/64-40 L=7				2
25	11849411	COOLING FAN CASE				1
26	11850815	CASE SPONGE				1
27	SS5110710SP	SCREW 11/64-40 L=7	FOR JE			2
28	SK2351600SC	WOOD SCREW D=3.5 L=16	FOR JE			3
29	SS6090630SP	SCREW 9/64-40 L=6				5
30	11155108	DRAWER				1
31	11155207	DRAWER SUPPORT				2
32	SK3311500SC	WOOD SCREW D=3.1 L=15				6
33	D8204555D00	DRAWER STOPPER				1
34	12135554	CLOTH WASTE CHUTE ASM.	FOR JE			1
35	12135505	CLOTH WASTE CHUTE SUPPORT		*		1
36	11962800	CLOTH WASTE CHUTE INLET		*		1
37	11962909	CLOTH WASTE CHUTE, UPPER		*		1
38	SS5090610SP	SCREW 9/64-40 L=6		*		3
39	NS6090310SP	NUT 9/64-40		*		3
40	11960002	CLOTH WASTE CHUTE,LOWER(BENCH)	FOR JE			1

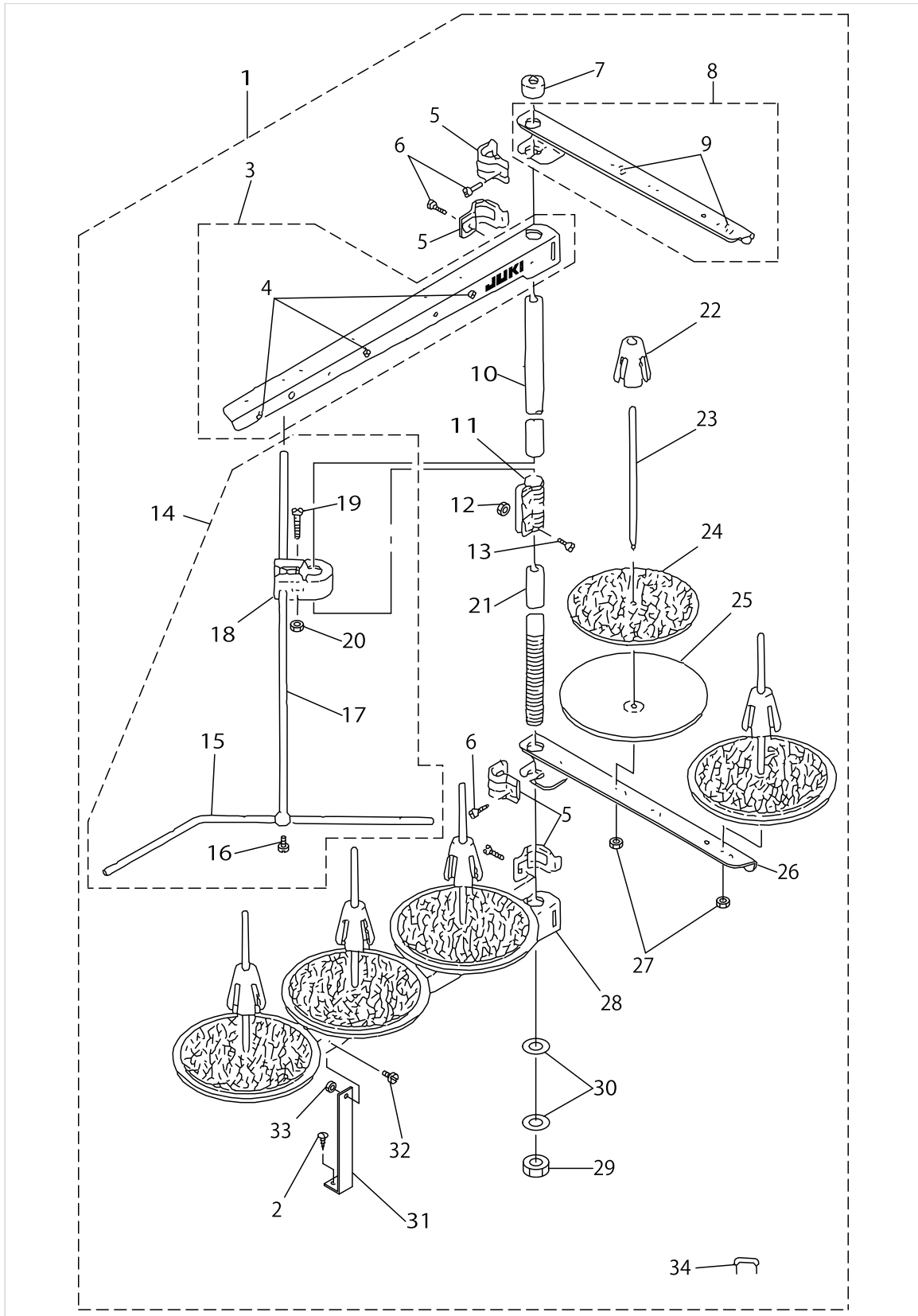
THREAD STAND COMPONENTS(FOR MO-3604,MO-3614)



THREAD STAND COMPONENTS(FOR MO-3604,MO-3614)

No.	Parts No.	Parts name	Remarks	Level	Cons	Qty
1	11969458	THREAD STANDING DEVICE ASM.				1
2	11185352	THREAD GUIDE ASM.		*		2
3	11185402	THREAD GUIDE ARM JOINT		*		4
4	NM6050001SE	NUT M5		*		4
5	B3311704000	SPOOL REST ROD CAP		*		1
6	11185204	SPOOL REST ROD,UPPER		*		1
7	B3305704000A	SPOOL REST ROD JOINT		*		1
8	SM4051405SE	SCREW M5 L=14		*		2
9	NM6050001SE	NUT M5		*		2
10	B33097040A0	THREAD GUIDE ARM ASM.		*		1
11	B3311804000	LOWER THREAD GUIDE		*		1
12	SS7110540SP	SCREW 11/64-40 L=5		*		1
13	B3309704000	THREAD GUIDE ARM		*		1
14	B3304704000A	THREAD GUIDE ARM HOLDER		*		1
15	SM6053000SE	SCREW M5X0.8 L=30		*		1
16	NM6050001SE	NUT M5		*		1
17	11185105	SPOOL REST ROD,LOWER		*		1
18	11185501	SPOOL RETAINER		*		4
19	B3320704L00A	SPOOL PIN		*		4
20	B3311012000	SPOOL REST CUSHION		*		4
21	11185006	SPOOL REST ARM		*		2
22	NM6050001SE	NUT M5		*		4
23	B3317704000	NUT		*		1
24	WP1612616SE	WASHER 16X30X2.6		*		2
25	MAO11532000	CORD STAPLE		*		3
26	SM4051405SE	SCREW M5 L=14		*		4
27	WS1643202KN	SPRING WASHER 16.4X26.6X3.2				1

THREAD STAND COMPONENTS(FOR MO-3616)



THREAD STAND COMPONENTS(FOR MO-3616)

No.	Parts No.	Parts name	Remarks	Level	Cons	Qty
1	11969557	THREAD STANDING DEVICE ASM.				1
2	SK3382001SE	SCREW D=3.8 L=20		*		1
3	11969565	SPOOL REST ARM A ASM.		*		1
4	B3319704L00	THREAD GUIDE		*		3
5	B3318704L00A	THREAD GUIDE ARM JOINT		*		4
6	SM6061610SC	SCREW M6 L=16		*		4
7	B3311704000	SPOOL REST ROD CAP		*		1
8	11969466	THREAD GUIDE ARM B ASM.		*		1
9	B3319704L00	THREAD GUIDE		*		2
10	11185204	SPOOL REST ROD,UPPER		*		1
11	B3305704000A	SPOOL REST ROD JOINT		*		1
12	NM6050001SE	NUT M5		*		2
13	SM4051405SE	SCREW M5 L=14		*		2
14	B33097040A0	THREAD GUIDE ARM ASM.		*		1
15	B3311804000	LOWER THREAD GUIDE		*		1
16	SS7110540SP	SCREW 11/64-40 L=5		*		1
17	B3309704000	THREAD GUIDE ARM		*		1
18	B3304704000A	THREAD GUIDE ARM HOLDER		*		1
19	SM6053000SE	SCREW M5X0.8 L=30		*		1
20	NM6050001SE	NUT M5		*		1
21	11185105	SPOOL REST ROD,LOWER		*		1
22	11185501	SPOOL RETAINER		*		5
23	B3320704L00A	SPOOL PIN		*		5
24	B3311012000	SPOOL REST CUSHION		*		5
25	11966504	SPOOL REST		*		5
26	11969409	THREAD GUIDE ARM B		*		1
27	NM6050001SE	NUT M5		*		5
28	11969508	SPOOL REST ARM A		*		1
29	B3317704000	NUT		*		1
30	WP1612616SE	WASHER 16X30X2.6		*		2
31	B3321704L00	SPOOL REST ARM SUPPORT, A		*		1
32	SM4061201SE	SCREW M6 L=12		*		1
33	NM6060001SE	NUT M6		*		1
34	MAO11532000	CORD STAPLE		*		3

LIST FOR INFORMATION OF CHANGE

As to the place changed, refer to the corresponding Rev.No.
 When previous parts(Obsoluted part)and new parts(Added parts)are not interchangeable with each other:
 In this case,even obsoluted parts(D.)can be ordered with the obsoluted part number,so select the parts with changed dates and place your orders.

変更箇所は、該当Rev.No.版をご参照ください。

部品の互換性がない変更の場合は、削除された品番でも、ご注文できます。

29186509
 No.1098-05}・ Rev.No.

*A:Added parts追加部品/D:Obsoluted parts削除部品/E:Erratum訂正

* Rev. No.	Page 頁	Ref. No.	Parts No. 品番	* Rev. No.	Page 頁	Ref. No.	Parts No. 品番
D 04	8	14	123-44859	A 05	8	14	122-72555
D 04	8	15	122-80509	A 05	8	15	121-10227
D 04	8	16	123-44800	A 05	8	16	122-72506
D 04	8	54	RO-1082401-00	A 05	8	54	RO-1181801-00
				A 05	8	55	122-56004
E 04	18	30	121-13403	A 05	18	30	121-13502
D 04	26	28	121-33708	A 05	26	28	118-46805

HOW TO MAKE USE OF THIS PARTS LIST

1.Explanation of codes

1)"*"mark.....means this part is changed from the previous parts book.

As to the details of the change, refer to the "List for information of change".

2)"#01".....refer to "Note" explanation at bottom of page.

2.Codes on the "Qty" column

• Each numeral indicates the number of parts required.

• "0.1" and "2.5" indicate the length (in meters) of the respective parts.

3.Parentheses mean that the corresponding part is a subpart that constructs an assembly part.

4.Dotted lines on the Figures indicate assembly parts.

1."注記"欄の記号説明

1) "*"印.....前回のパーツブックに比較して今回変更された部品を意味します。

変更内容は、"変更情報リスト"を参照してください。

2) "#01".....ページ下の"注記"の説明を参照してください。

2.数量欄の数字は、個数を表し、0.1、2.5等の数値は、長さ（単位メートル）を表します。

3.数量欄の（ ）は、組部品を構成している子部品であることを意味します。

4.イラストページの-----枠は、組構成であることを意味します。

NUMERICAL INDEX OF PARTS

PART NO	PAGE	REF NO.	PART NO	PAGE	REF NO.	PART NO	PAGE	REF NO.
10004109	4	12	11820701	28	64	11848405	36	25
11155108	44	19	11820701	30	64	11849361	44	15
11155108	46	30	11823804	10	11	11849361	46	9
11155207	44	20	11823804	14	39	11849379	46	8
11155207	46	31	11823804	36	1	11849411	44	12
11185006	48	21	11824018	14	43	11849411	46	25
11185105	48	17	11824067	14	40	11849601	44	14
11185105	50	21	11825304	16	26	11850401	46	17
11185204	48	6	11826310	16	23	11850500	46	21
11185204	50	10	11826401	16	27	11850609	46	20
11185352	48	2	11827318	14	3	11850815	44	11
11185402	48	3	11827367	14	1	11850815	46	26
11185501	48	18	11827409	16	1	11850906	46	10
11185501	50	22	11827607	16	43	11872009	28	51
11501301	2	3	11827904	16	47	11872009	30	51
11503703	4	21	11828050	16	6	11876166	28	4
11503810	4	29	11828308	18	49	11876869	30	50
11503885	4	26	11828514	16	29	11882107	16	8
11503919	4	25	11828563	16	25	11882800	16	10
11510609	6	38	11828605	18	54	11887106	16	12
11529005	18	62	11828704	14	32	11887403	16	13
11530110	14	41	11829405	20	24	11888104	24	64
11539061	20	13	11829751	20	4	11890001	24	51
11565504	36	24	11831708	22	22	11890100	38	36
11565702	36	22	11831757	22	21	11890308	38	39
11565801	36	9	11831807	22	36	11893302	22	10
11566809	36	10	11831906	22	35	11948601	14	44
11571403	44	13	11833100	24	49	11949005	2	7
11571403	46	7	11833209	24	55	11949807	16	9
11571601	44	2-3	11833308	22	19	11949906	16	19
11571809	46	2	11833407	22	43	11951100	2	21
11571908	46	3	11833506	22	31	11956307	8	48
11598000	36	20	11833613	22	9	11956505	6	34
11802204	2	45	11834603	42	10	11959400	44	1
11803004	2	34	11841350	4	33	11959558	46	1
11804606	40	47	11842101	22	13	11960002	44	29
11805207	4	13	11845500	36	27	11960002	46	40
11806304	38	13	11845609	36	14	11960200	46	15
11810207	2	11	11845708	36	17	11960259	46	14
11811205	6	44	11845807	36	21	11960309	46	18
11819109	26	35	11845906	36	28	11962800	44	25
11819208	26	36	11846003	38	33	11962800	46	36
11819315	26	34	11846607	38	15	11962909	44	26
11819414	26	26	11846805	38	32	11962909	46	37
11819703	26	29	11847100	38	35	11966504	50	25

NUMERICAL INDEX OF PARTS

PART NO	PAGE	REF NO.	PART NO	PAGE	REF NO.	PART NO	PAGE	REF NO.
11966702	44	2-3	12113304	26	24	12130209	42	21
11969409	50	26	12113403	26	31	12130308	42	6
11969458	48	1	12113502	26	30	12130407	42	7
11969466	50	8	12114468	26	20	12130704	24	67
11969508	50	28	12114807	26	13	12130803	24	66
11969557	50	1	12114906	26	17	12132155	6	11
11969565	50	3	12115408	28	47	12132304	36	7
11991502	18	58	12115903	26	12	12132403	36	11
11991601	22	16	12116117	14	28	12132502	36	4
11991809	22	37	12116174	14	17	12132619	38	16
11999208	24	65	12116216	14	27	12132700	38	21
11999307	24	53	12116307	14	25	12132809	38	26
12015301	38	40	12116406	14	26	12132908	38	24
12015400	38	41	12116703	14	16	12133005	38	27
12100301	4	40	12117107	14	30	12133104	38	23
12101309	2	33	12117412	16	17	12133211	38	12
12101408	2	42	12117461	16	15	12133302	36	13
12101515	2	30	12117511	16	16	12133401	36	18
12101903	4	8	12118808	14	18	12135505	44	24
12101952	4	5	12119400	16	42	12135505	46	35
12102109	4	20	12119509	16	46	12135554	44	23
12102208	38	17	12119608	16	38	12135554	46	34
12102307	2	24	12119756	16	36	12148607	12	49
12102406	2	25	12119806	16	37	12148706	12	50
12102752	2	2	12119905	16	39	12149803	12	51
12103206	2	41	12120002	16	40	12152468	28	19
12103404	2	38	12120150	6	28	12153763	28	34
12103602	38	20	12121307	32	26	12156907	28	35
12103701	38	19	12121612	20	19	12160008	28	30
12104907	4	32	12122008	20	22	12162202	28	41
12105201	4	34	12122362	6	19	12164802	28	37
12105359	2	1	12122404	22	5	12167409	28	40
12107108	6	10	12123360	6	24	12167508	28	45
12108007	6	8	12123410	22	14	12167607	28	42
12108106	6	32	12123659	22	45	12167706	28	46
12108403	6	5	12123808	22	41	12167805	28	38
12109153	6	14	12123907	22	39	12172805	16	20
12109955	10	12	12124004	22	32	12176004	24	63
12110227	10	15	12124400	6	23	12177903	38	43
12110805	10	32	12124509	6	9	12250601	2	20
12110904	10	31	12129805	42	29	12252706	42	11
12112108	10	26	12129854	42	26	12253308	10	45
12112207	10	43	12129904	42	27	12253811	28	1
12112306	10	44	12130001	42	28	12254009	22	1
12113205	26	23	12130100	42	20	12255907	42	23

NUMERICAL INDEX OF PARTS

PART NO	PAGE	REF NO.	PART NO	PAGE	REF NO.	PART NO	PAGE	REF NO.
12256004	12	55	12282505	26	8	12286209	32	11
12256004	42	14	12282604	14	15	12286308	32	7
12256103	42	2	12282703	14	6	12286407	32	9
12257267	38	10·11	12282802	14	12	12286506	32	8
12257366	38	10·11	12282901	16	45	12286605	32	10
12258000	4	44	12283008	14	13	12286704	36	2
12258505	20	16	12283107	18	61	12286803	2	27
12259008	20	18	12283255	18	59	12286902	2	28
12270203	4	1	12283404	20	12	12287108	10	6
12270302	4	38	12283503	20	26	12287207	26	11
12270500	2	22	12283602	32	17	12287306	24	57
12271706	6	41	12283701	32	14	12287405	32	22
12271805	42	17	12283800	32	16	12287603	14	36
12271904	4	36	12283909	32	18	12287801	38	46
12272506	10	16	12284006	32	24	12288502	32	29
12272555	10	14	12284105	20	6	12288700	26	14
12273009	14	4	12284303	14	8	12288908	38	8
12273108	22	11	12284402	22	25	12341806	44	6
12273207	22	12	12284501	22	28	12341905	44	5
12273355	22	7	12284709	32	45	12341954	44	4
12273454	22	8	12284758	32	42	12342002	4	18
12275962	42	1	12284808	32	34	12342101	2	14
12280103	6	43	12284857	32	31	12342200	20	17
12280202	10	7	12284907	34	56	12342309	20	9
12280301	10	8	12284956	34	53	12343406	6	1
12280400	12	52	12285003	32	43	12343505	6	4
12280608	10	29	12285102	32	32	12344503	2	16
12280707	10	1	12285201	34	54	12344909	2	36
12280806	10	3	12285300	32	61	12345203	4	39
12280905	10	30	12285300	34	61	12347555	32	21
12281002	10	34	12285409	32	57	B1140716000	2	19
12281101	10	18	12285409	34	57	B1211804000	6	37
12281200	10	20	12285508	32	55	B1212704000	6	17
12281309	10	21	12285508	34	55	B1215804000	6	6·7
12281408	10	35	12285607	32	58	B1414555000	16	31
12281507	10	37	12285607	34	58	B1422804000	38	31
12281606	10	38	12285706	32	59	B1423804000	38	30
12281705	10	22	12285706	34	59	B1507804C00	28	12
12281804	10	24	12285805	32	60	B150781400P	28	58
12281903	10	25	12285805	34	60	B150781400P	30	58
12282109	26	19	12285904	32	62	B150880400B	28	60
12282208	26	2	12285904	34	62	B150880400B	30	60
12282257	26	1	12286001	32	12	B1509804C00	28	15
12282307	26	3	12286050	32	6	B150981400P	30	61
12282406	26	4	12286100	32	13	B1510814000	28	63

NUMERICAL INDEX OF PARTS

PART NO	PAGE	REF NO.	PART NO	PAGE	REF NO.	PART NO	PAGE	REF NO.
B1510814000	30	63	B3311012000	48	20	NS6110420SP	2	9
B1511814000	28	57	B3311012000	50	24	NS6110420SP	26	37
B1511814000	30	57	B3311704000	48	5	NS6110420SP	32	63
B1513816000	28	39	B3311704000	50	7	NS6110420SP	34	63
B1514816000	28	43	B3311804000	48	11	NS6240630SE	44	18
B1528804000A	28	2	B3311804000	50	15	NS6240630SE	46	6
B1529804000	26	39	B3317704000	48	23	NS6620320SP	14	45
B1530804000	28	53	B3317704000	50	29	NS6680410SP	4	24
B1530804000	30	53	B3318704L00A	50	5	PS0200052KH	32	20
B1534804000	26	22	B3319704L00	50	9	PS0200062KH	20	27
B1539804000	30	48	B3320704L00A	48	19	PS0300062KH	24	58
B1604704000	14	22	B3320704L00A	50	23	PS0300132KH	14	23
B1606704000	14	29	B3321704L00	50	31	PS0300142KH	26	7
B1624704000	16	5	B3530555000	4	3	R4200J0EDA0	38	2
B1645704000A	18	56	BP300000200	42	13	R4200J6ED00	40	48
B1646704000A	16	34	BT0600402EA	10	46	R4305J0EEA0	38	4
B1647704000A	16	33	CM300200001	2	44	R4305J6EE00	40	49
B1651704000	14	35	CM3002000A1	4	6	R4508J0EDA0	38	6
B1652704000	14	33	CM300200101	4	10·11	R4508J6ED00	40	50
B1654704000	14	34	CM3002001A1	4	10·11	RE0500000K0	16	22
B165780400T	16	18	CQ200000000	22	24	RO037180100	22	38
B2103816000B	20	2	CQ202000000	22	69	RO060150100	18	57
B21038160A0	20	1	CQ202000000	24	69	RO074240100	4	27
B2105816000	20	5	CQ252000000	10	13	RO110090100	26	18
B2111716000	20	11	CS0400671SD	2	5	RO118180100	12	54
B2119816B00	20	8	CS095081ASH	14	10	RO195240100	4	2
B2401816000	32	3	CS103121ASH	22	61	RO347350100	6	40
B2402716000	32	4	CS103121ASH	24	61	RO480120100	18	48
B2507804000B	22	4	CS111101ESH	36	5	SB110000300	6	6·7
B2508704000	22	46	CS1201010SH	10	9	SD0260271SP	14	21
B251570400B	22	17	D8204555D00	44	22	SD0280401SL	10	33
B2525352000	20	23	D8204555D00	46	33	SD0600341TP	32	19
B2530704000	22	47	MAO11532000	48	25	SD0640246SP	26	6
B2531704000	20	28	MAO11532000	50	34	SD0720271SP	16	24
B2531704000	24	59	MC033600750	12	53	SD0720601TH	14	5
B3013141H0A	4	17	MDC270B1100	10	42	SD0720803TH	20	7
B3113352000	32	2	NM6050001SE	48	22	SK2351600SC	44	10
B3304704000A	48	14	NM6050001SE	50	27	SK2351600SC	46	28
B3304704000A	50	18	NM6060001SE	50	33	SK3311500SC	44	21
B3305704000A	48	7	NM6060003SC	26	28	SK3311500SC	46	32
B3305704000A	50	11	NM6080600SM	46	12	SK3382001SE	50	2
B3309704000	48	13	NS6090310SN	2	31	SK3412000SC	4	35
B3309704000	50	17	NS6090310SP	44	28	SL4051231SC	18	50
B33097040A0	48	10	NS6090310SP	46	39	SM0081001SD	4	28
B33097040A0	50	14	NS6110310SP	42	24	SM1030601SC	32	30

NUMERICAL INDEX OF PARTS

PART NO	PAGE	REF NO.	PART NO	PAGE	REF NO.	PART NO	PAGE	REF NO.
SM1040801SC	2	17	SQ1150453MZ	42	4	SS6110710TP	14	20
SM1040801SC	4	42	SS2090520SL	2	29	SS6110710TP	20	20
SM4040655SP	2	39	SS2110910SL	38	1	SS6110710TP	26	40
SM4040655SP	22	42	SS3090610SP	2	32	SS6111040SP	36	12
SM4040855SP	2	23	SS3090610SP	22	44	SS6111440SP	2	10
SM4040855SP	4	41	SS4060310SP	36	23	SS6111610SP	36	19
SM4040855SP	6	3	SS4080610SP	16	14	SS6121020SP	26	25
SM4040855SP	10	27	SS4080610SP	20	21	SS6151440SP	38	34
SM4040855SP	16	2	SS4090415SP	32	28	SS6661110SP	18	55
SM4041055SP	2	37	SS4090515SP	18	60	SS7060310SP	16	35
SM4041055SP	18	52	SS4090615SP	22	20	SS7060310SP	24	68
SM4041455SN	14	37	SS4091015SP	2	13	SS7060510SP	16	44
SM4050855SP	6	42	SS4110515SP	10	19	SS7060510SP	28	3
SM4050855SP	32	1	SS4110515SP	32	25	SS7060510SP	38	42
SM4050855SP	42	22	SS4110715SP	26	10	SS7060610SP	22	18
SM4051055SP	38	9	SS4120615SP	2	15	SS7060610SP	28	55
SM4051255SP	4	4	SS4151215SP	4	9	SS7060610SP	30	55
SM4051405SE	48	26	SS5080212TP	6	33	SS7080520SP	28	59
SM4051405SE	50	13	SS5090610SP	44	27	SS7080520SP	30	59
SM4060801SE	42	30	SS5090610SP	46	38	SS7090510SP	38	44
SM4061201SE	50	32	SS5110710SP	4	15	SS7090530SP	2	40
SM6030350SD	26	9	SS5110710SP	44	9	SS7090610SP	2	43
SM6051202TP	14	42	SS5110710SP	46	27	SS7090610SP	38	38
SM6051202TP	16	30	SS5150510SP	32	5	SS7090611SL	4	19
SM6051202TP	20	14	SS6060210SP	28	56	SS7090620TP	16	41
SM6053000SE	48	15	SS6060210SP	30	56	SS7090710SP	38	25
SM6053000SE	50	19	SS6060340SP	28	44	SS7090850SP	24	50
SM6061200SP	22	6	SS6060410TP	30	49	SS7110510SP	2	26
SM6061200SP	26	27	SS6060440TP	24	52	SS7110540SP	48	12
SM6061202TP	6	27	SS6060440TP	28	62	SS7110540SP	50	16
SM6061402TP	10	4	SS6060440TP	30	62	SS7110710SL	34	64
SM6061402TP	14	9	SS6080320SP	14	31	SS7110720SP	38	14
SM6061402TP	36	3	SS6080410SP	16	28	SS7110720TP	20	3
SM6061610SC	50	6	SS6080410SP	22	34	SS7110810SP	14	24
SM6061802TP	42	18	SS6080720SP	10	28	SS7110840SP	6	16
SM7040550SP	26	5	SS6090420SP	46	19	SS7110840SP	22	56
SM8040302TP	2	6	SS6090620SP	18	53	SS7110840SP	24	56
SM8040402TP	26	15	SS6090620TP	24	54	SS7110840SP	38	37
SM8040612TP	10	17	SS6090630SP	24	48	SS7110910TP	14	14
SM8050402TP	42	9	SS6090630SP	44	8	SS7111410SP	26	38
SM9082513CF	46	11	SS6090630SP	46	29	SS7111410TP	6	30
SQ0000451MZ	42	15	SS6090650SP	28	52	SS7111810SP	6	35
SQ1110451MZ	42	25	SS6090650SP	30	52	SS7111810TP	6	29
SQ1150441SD	42	16	SS6090670TP	10	36	SS7112420SP	6	31
SQ1150451MZ	42	5	SS6110610TP	38	45	SS7151120SP	38	29

NUMERICAL INDEX OF PARTS

PART NO	PAGE	REF NO.	PART NO	PAGE	REF NO.
SS7161040SP	26	33	WP0480856SP	18	51
SS8080310TP	10	41	WP0621016SD	16	32
SS8090530TP	10	5	WP0651056SH	42	19
SS8110410TP	2	35	WP0751576SD	4	22
SS8110410TP	14	11	WP0764016SP	6	46
SS8110410TP	16	7	WP0850002SC	46	13
SS8110410TP	32	23	WP1002036SE	44	16
SS8110410TP	42	3	WP1002036SE	46	4
SS8110510SP	26	21	WP1612616SE	48	24
SS8110750SP	14	19	WP1612616SE	50	30
SS8151150SP	6	45	WS0451040KP	6	36
SS8660330SP	36	6	WS0822010KP	4	23
SS8660530TP	22	62	WS1002560KR	44	17
SS8660530TP	24	62	WS1002560KR	46	5
SS8660610TP	10	10	WS1643202KN	48	27
SS9090410TP	22	15	WZ0420350KP	2	4
SS9090610TP	22	30	WZ0640312K0	32	27
SS9090813TP	36	15	WZ0850302K0	4	16
SS9110430TP	20	25	WZ2640310KH	6	39
SS9111010SP	16	21			
SS9111010SP	38	22			
SS9111050SP	16	11			
SS9111610SP	36	26			
SS9112310SP	36	29			
SS9151210TP	4	43			
SS9151210TP	20	29			
SS9151210TP	22	60			
SS9151210TP	24	60			
SS9151210TP	26	32			
SS9681610TP	6	47			
ST60308210A	46	23			
TA0400301M0	42	8			
TA0800504R0	16	4			
TA0951301R0	12	47			
TA1030402R0	14	38			
TA1120804R0	4	37			
TA1250406R0	4	30			
TA1701107R0	4	31			
TA1871602R0	4	14			
TA2050416R0	14	7			
WP0250516SD	28	54			
WP0250516SD	30	54			
WP0370316SD	36	16			
WP0370316SD	46	22			
WP0371016SD	16	3			