

MODEL : AMS-220C SUBCLASSES

List No : 1093-00

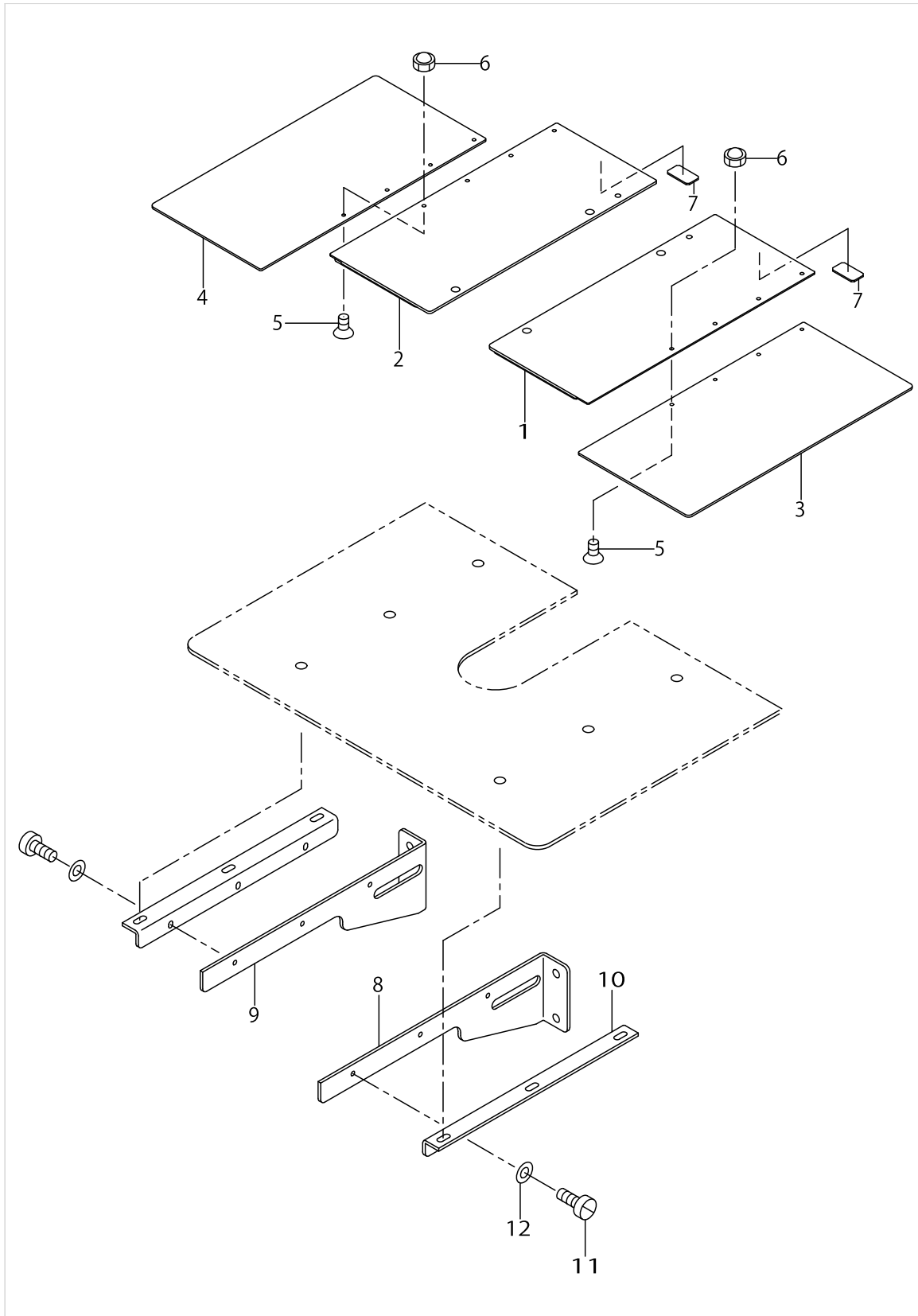
PARTS LIST

Published:09/10/2017

CONTENTS

MISCELLANEOUS COVER COMPONENTS.....	1
PRESSER PLATE COMPONENTS.....	3
PNEUMATIC COMPONENTS	7
TABLE,ACCESSORIE PART,OPTIONAL PART COMPONENTS.....	9
MISCELLANEOUS COVER,NEEDLE BAR COMPONENTS	11
PRESSER PLATE COMPONENTS(1)	13
PRESSER PLATE COMPONENTS(2)	17
PNEUMATIC COMPONENTS	19
TABLE ACCESSORIE PART,OPTIONAL PART COMPONENTS	21
PRESSER PLATE COMPONENTS.....	23
TABLE,PNEUMATIC COMPONENTS.....	25
HOW TO MAKE USE OF THIS PARTS LIST	27

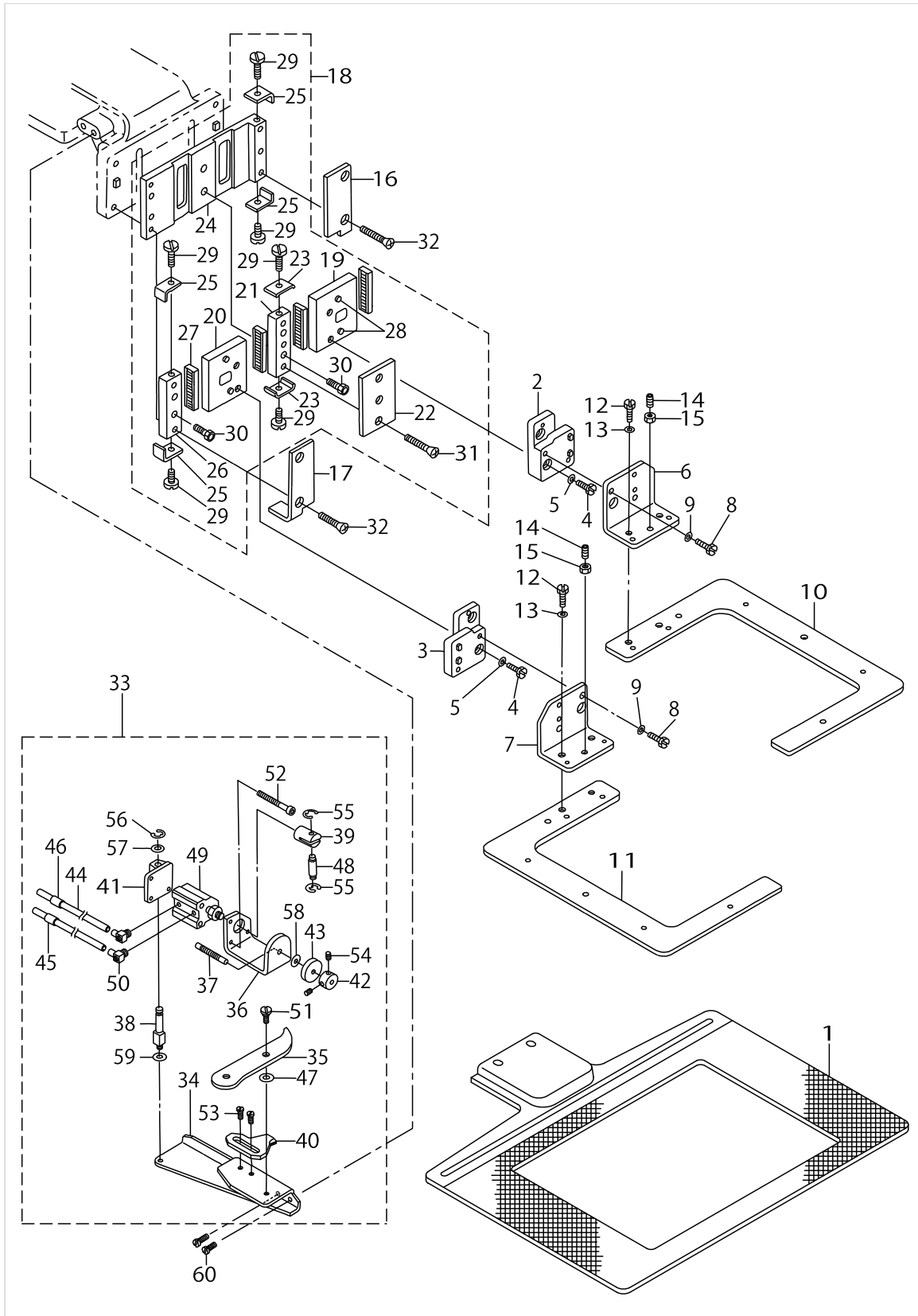
MISCELLANEOUS COVER COMPONENTS



MISCELLANEOUS COVER COMPONENTS

No.	Parts No.	Parts name	Remarks	Level	Cons	Qty
1	B11262200A0	TOP COVER ASM.,RIGHT				1
2	B11272200A0	TOP COVER ASM.,LEFT				1
3	B112822000A	FEED LOWER COVER, RIGHT				1
4	B112922000A	FEED LOWER COVER, LEFT				1
5	SM1030601SC	SCREW M3 X 8				8
6	NM7030550SB	NUT M7				8
7	B1103220000	DAMP SHEET				2
8	B1113224000	AUXILIARY COVER SUPPORT RIGHT				1
9	B1121224000	AUXILIARY COVER SUPPORT LEFT				1
10	B1132224000	NEEDLE PLATE AUXILIARY COVER				2
11	SS9110920CP	SCREW 11/64-40 L=9				6
12	WP0520656SA	WASHER 5.2X9.5X0.6				6

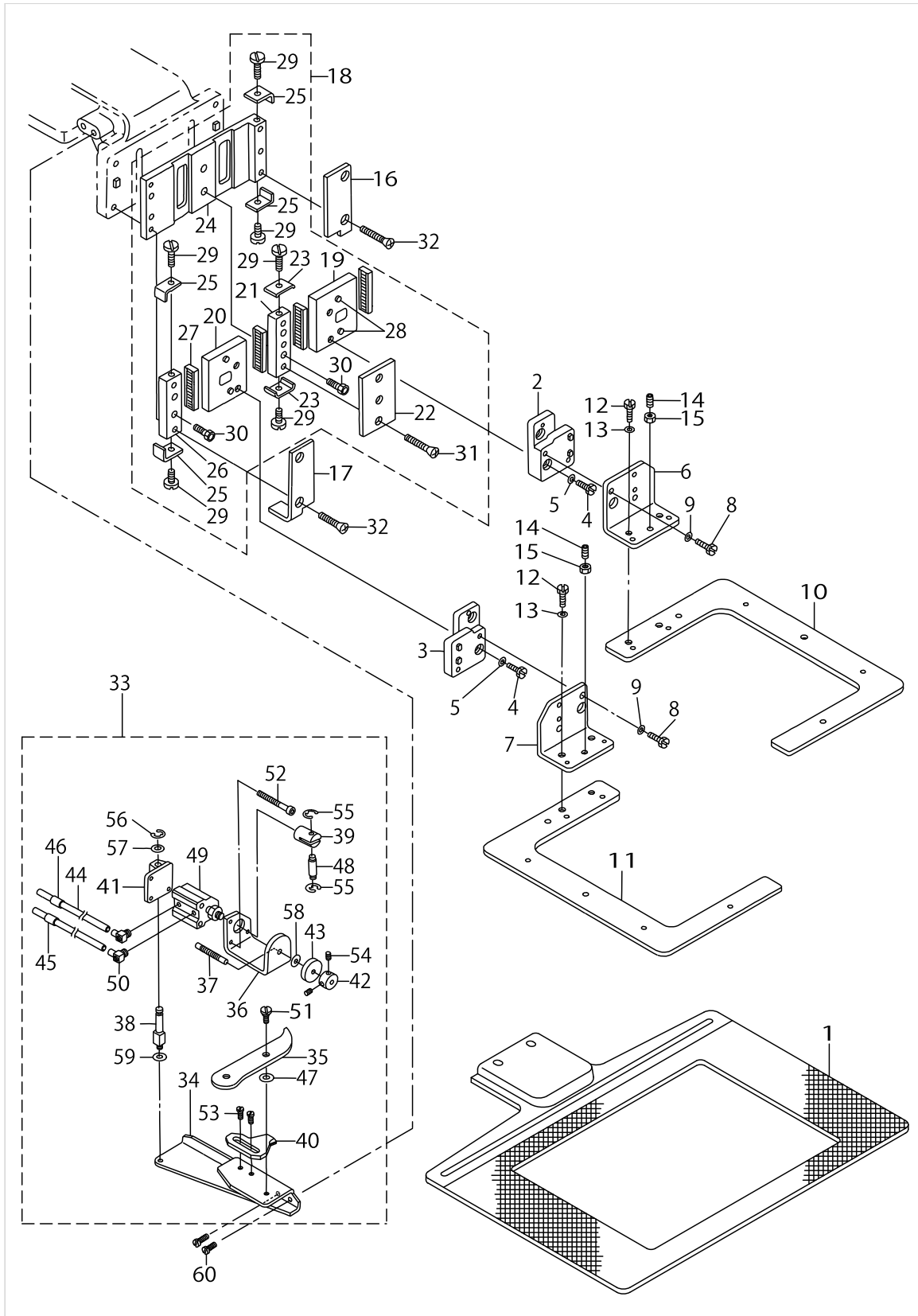
PRESSER PLATE COMPONENTS



PRESSER PLATE COMPONENTS

No.	Parts No.	Parts name	Remarks	Level	Cons	Qty
1	B2601220000	TWO-STEP PRESSER LOWER PLATE				1
2	B26022200A0	MOUNT ASM.,RIGHT				1
3	B26032200A0	MOUNT ASM.,LEFT				1
4	SS7151210SP	SCREW 15/64-28 L=12				4
5	WP0651056SD	WASHER 6.5X11X1				4
6	B26042200A0	WORK CLAMP FOOT ASM.,RIGHT				1
7	B26052200A0	WORK CLAMP FOOT ASM.,LEFT				1
8	SS9151410CP	SCREW 15/64-28 L=14				4
9	WP0651056SD	WASHER 6.5X11X1				4
10	B2606220000	FEEDING FRAME (RIGHT)				1
11	B2607220000	FEEDING FRAME (LEFT)				1
12	SS7150910TP	SCREW				4
13	WP0651056SD	WASHER 6.5X11X1				4
14	SS8150822TP	SCREW 15/64-28 L=8				2
15	NS6150330SD	NUT 15/64-28				2
16	B2544222000	RECEIVER PLATE, RIGHT				1
17	B2545222000	RECEIVER PLATE, LEFT				1
18	B26102200A0	SLIDE PLATE ASM.				1
19	B2611220000	SLIDE PLATE, RIGHT		*		1
20	B2612220000	SLIDE PLATE, LEFT		*		1
21	B2613220000	CENTER RACE		*		1
22	B2614220000	SUPPORT SLIDE PLATE, MIDDLE		*		1
23	B2615220000	STOPPER, MIDDLE		*		2
24	B2572220000	WORK CLAMP FOOT PLATE		*		1
25	B2565220000	STOPPER		*		4
26	B2567220000	WORK CLAMP FOOT LACE		*		1
27	B2513222000	BEARING		*		4
28	B1816280000	GUIDE PIN		*		4
29	SS7090530SP	SCREW 9/64-40 L= 4.5		*		6
30	SM6040602TP	SCREW M4 L=6		*		4
31	SS2110920TP	SCREW 11/64-40 L=8.5		*		3
32	SS2122410TP	SCREW				4
33	B25142200A0	TWO-STEPPED STROKE ASM.				1
34	B2514220000	TWO-STEPPED STROKE PLATE		*		1
35	B2516220000	LINK		*		1
36	B2518220000	REGULATION SHAFT BRACKET		*		1
37	B2527220000	REGULATION SHAFT		*		1
38	B2528220000	CYLINDER SHAFT		*		1
39	B2530220000	CYLINDER KNUCKLE		*		1
40	B2534220000	STOPPER B		*		1
41	B2536220000	CYLINDER BRACKET		*		1
42	B2304205000	KNOB		*		1
43	B3012816A00	NUT		*		1
44	B471022000F	AIR TUBE F		*		2
45	B471122000E	AIR TUBE LABEL J05		*		1
46	B471122000F	AIR TUBE LABEL J06		*		1
47	B323077100B	SPACER T=0.5		*		1

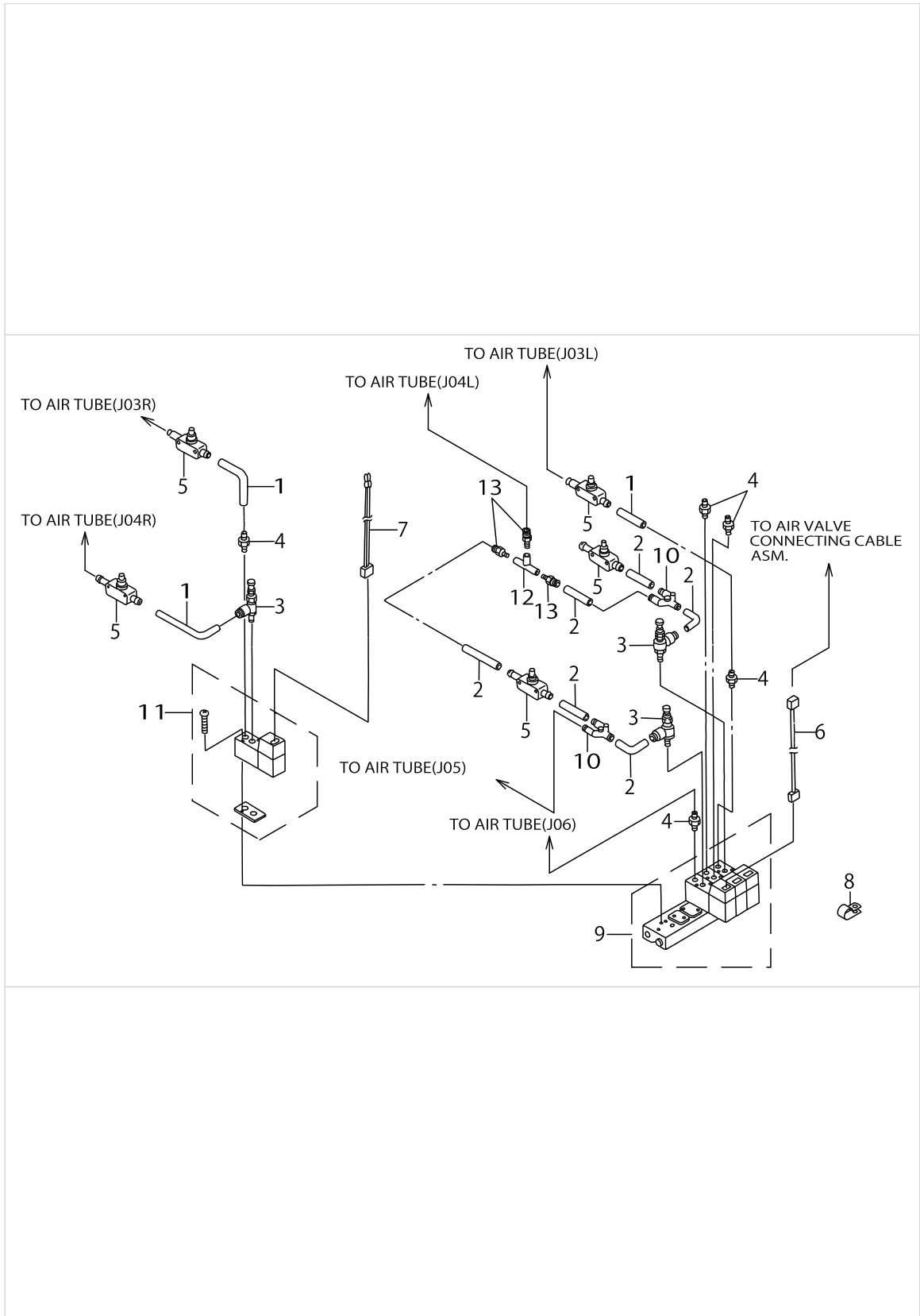
PRESSER PLATE COMPONENTS



PRESSER PLATE COMPONENTS

No.	Parts No.	Parts name	Remarks	Level	Cons	Qty
48	MAO12002000	PEDAL SWITCH FRAME STUD		*		1
49	B4713220000	CYLINDER		*		1
50	PJ046052503	HOSE ELBOW		*		2
51	SD0600291TP	HINGE SCKEW D=6 H=2.9		*		1
52	SM6054502TP	SCREW M5X0.8 L=45		*		4
53	SS7110840SP	SCREW 11/64-40 L=7.8		*		2
54	SS8110422TP	SCREW 11/64-40 L=4		*		2
55	RE0320610KX	SNAP RING		*		2
56	RE0600000K0	E-SHAPED SNAP RING (6MM)		*		1
57	WP0820516SP	WASHER 11.6X8.2X0.6		*		1
58	WP0702026SP	WASHER 7X15X2		*		1
59	WP0650876SD	WASHER 6.5X13X0.8		*		1
60	SS6121060SP	SCREW				2

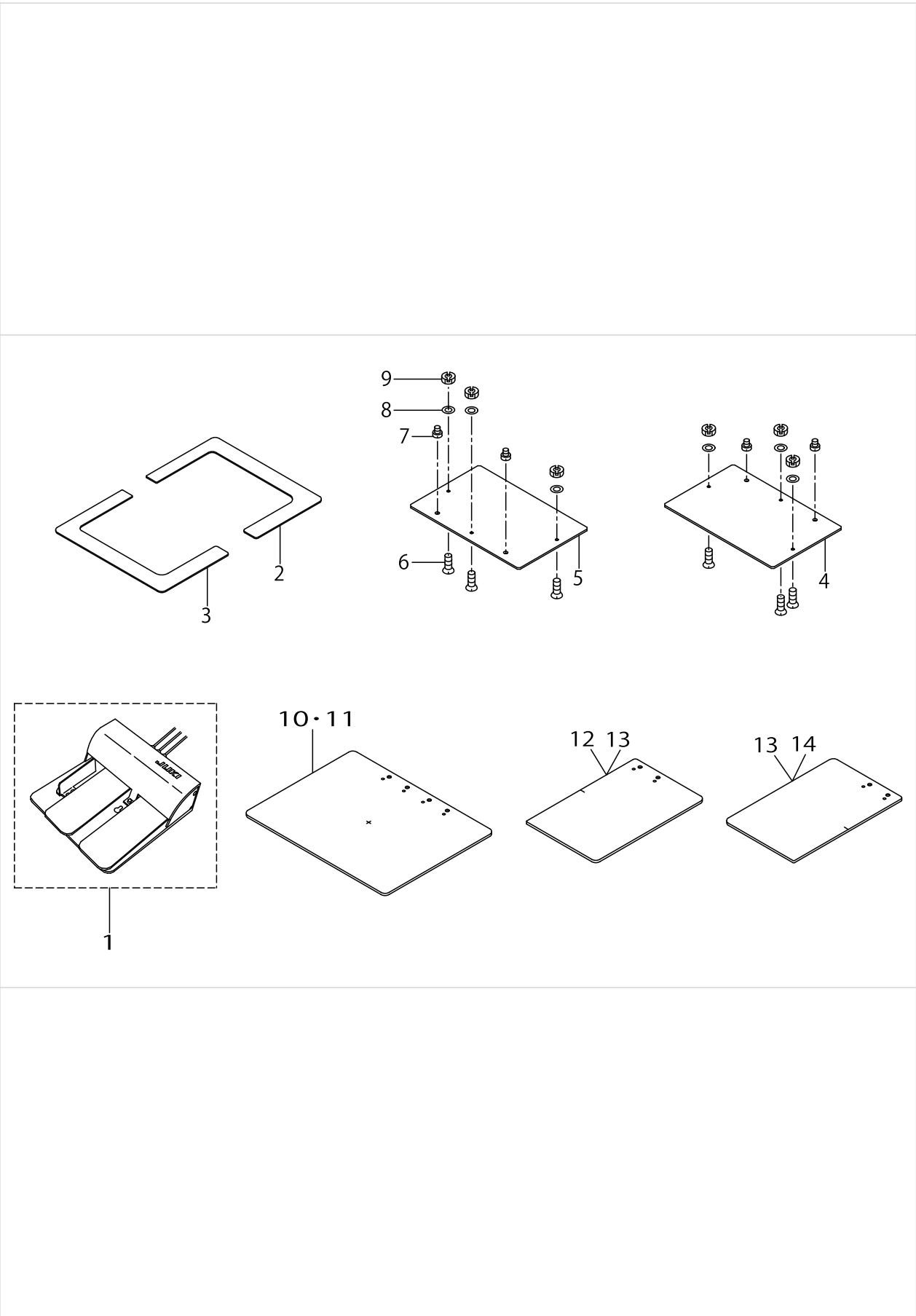
PNEUMATIC COMPONENTS



PNEUMATIC COMPONENTS

No.	Parts No.	Parts name	Remarks	Level	Cons	Qty
1	B471022000A	AIR TUBE A D=4				3
2	B471022000B	AIR TUBE B D=4				6
3	PF070501000	PRESSURE DECREASING VALVE				3
4	PJ032052503	HOSE NIPPLE				5
5	PC012401000	SPEED CONTROLLER				5
6	B47122150A0	SOLENOID VALVE CONNECTOR ASM.				1
7	B4712215AA0	SOLENOID VALVE CONNECTOR ASM.A				1
8	HX00150000E	CORD PRESSER 3-POLE (220/240V)				1
9	PV0351240B0	SOLENOID VALVE ASM.				1
10	PJ308040002	QUICK COUPLING				2
11	PV140501000	SOLENOID VALVE				1
12	PV205101000	SHUTTLE VALVE				1
13	PJ301045101	HALF UNION				3

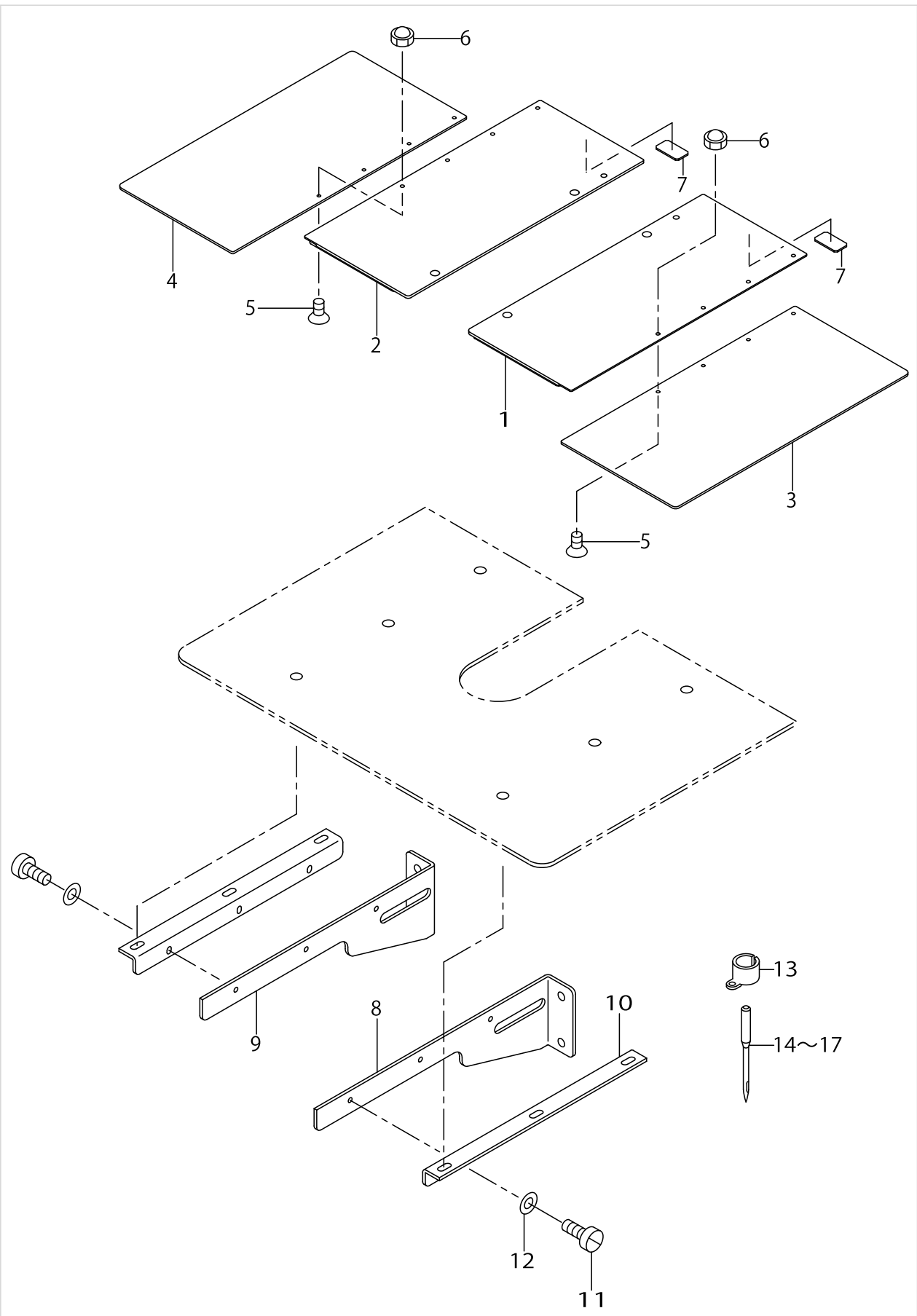
TABLE,ACCESSORIE PART,OPTIONAL PART COMPONENTS



TABLE,ACCESSORIE PART,OPTIONAL PART COMPONENTS

No.	Parts No.	Parts name	Remarks	Level	Cons	Qty
1	GPK470010AA	3-JOINT PEDAL ASM.				1
2	B2616220000	SPONGE SEAT, RIGHT				1
3	B2617220000	SPONGE SEAT, LEFT				1
4	B2618220000	PLASTICS BLANK, RIGHT				2
5	B2619220000	PLASTICS BLANK, LEFT				2
6	SS2111010TP	SCREW 11/64-40 L=9.5				6
7	SS7090410SP	SCREW 9/64-40 L= 3.5				4
8	WP0450000SD	WASHER 4.5X8X0.5				6
9	B1626850000	ADJUSTING NUT				6
10	B26202200Y0	BLANK (DIAMOND CUT)	OPTIONAL PART			1
11	B26212200Y0	BLANK	OPTIONAL PART			1
12	B26222200Y0	BLANK (DIAMOND CUT)	OPTIONAL PART			1
13	B26262200Y0	BLANK	OPTIONAL PART			1
14	B26232200Y0	BLANK (DIAMOND CUT)	OPTIONAL PART			1

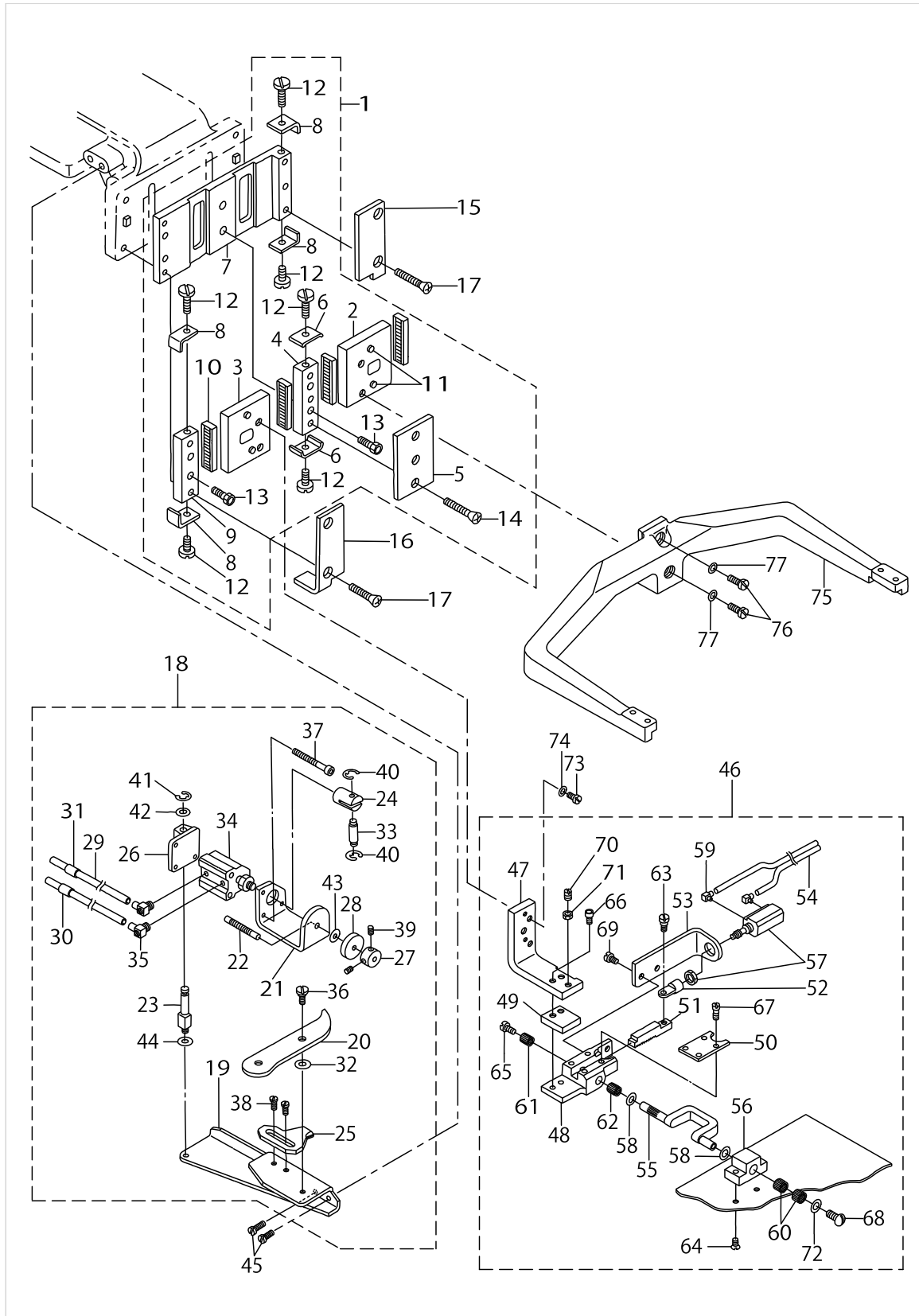
MISCELLANEOUS COVER, NEEDLE BAR COMPONENTS



MISCELLANEOUS COVER,NEEDLE BAR COMPONENTS

No.	Parts No.	Parts name	Remarks	Level	Cons	Qty
1	B11262200A0	TOP COVER ASM.,RIGHT				1
2	B11272200A0	TOP COVER ASM.,LEFT				1
3	B112822000A	FEED LOWER COVER, RIGHT				1
4	B112922000A	FEED LOWER COVER, LEFT				1
5	SM1030601SC	SCREW M3 X 8				8
6	NM7030550SB	NUT M7				8
7	B1103220000	DAMP SHEET				2
8	B1113224000	AUXILIARY COVER SUPPORT RIGHT				1
9	B1121224000	AUXILIARY COVER SUPPORT LEFT				1
10	B1132224000	NEEDLE PLATE AUXILIARY COVER				2
11	SS9110920CP	SCREW 11/64-40 L=9				6
12	WP0520656SA	WASHER 5.2X9.5X0.6				6
13	B1406210000	THREAD GUIDE				1
14	MDP170B1400	NEEDLE DPX17 #14	FOR AMS-220CST(EXCEPT JE)			1
15	MC372000900	NEEDLE 135X17 #90	FOR AMS-220CST(FOR JE)			1
16	MDP170B1800	NEEDLE DPX17 #18	FOR AMS-220CHT(EXCEPT JE)			1
17	MC372001100	NEEDLE 135X17 #110	FOR AMS-220CHT(FOR JE)			1

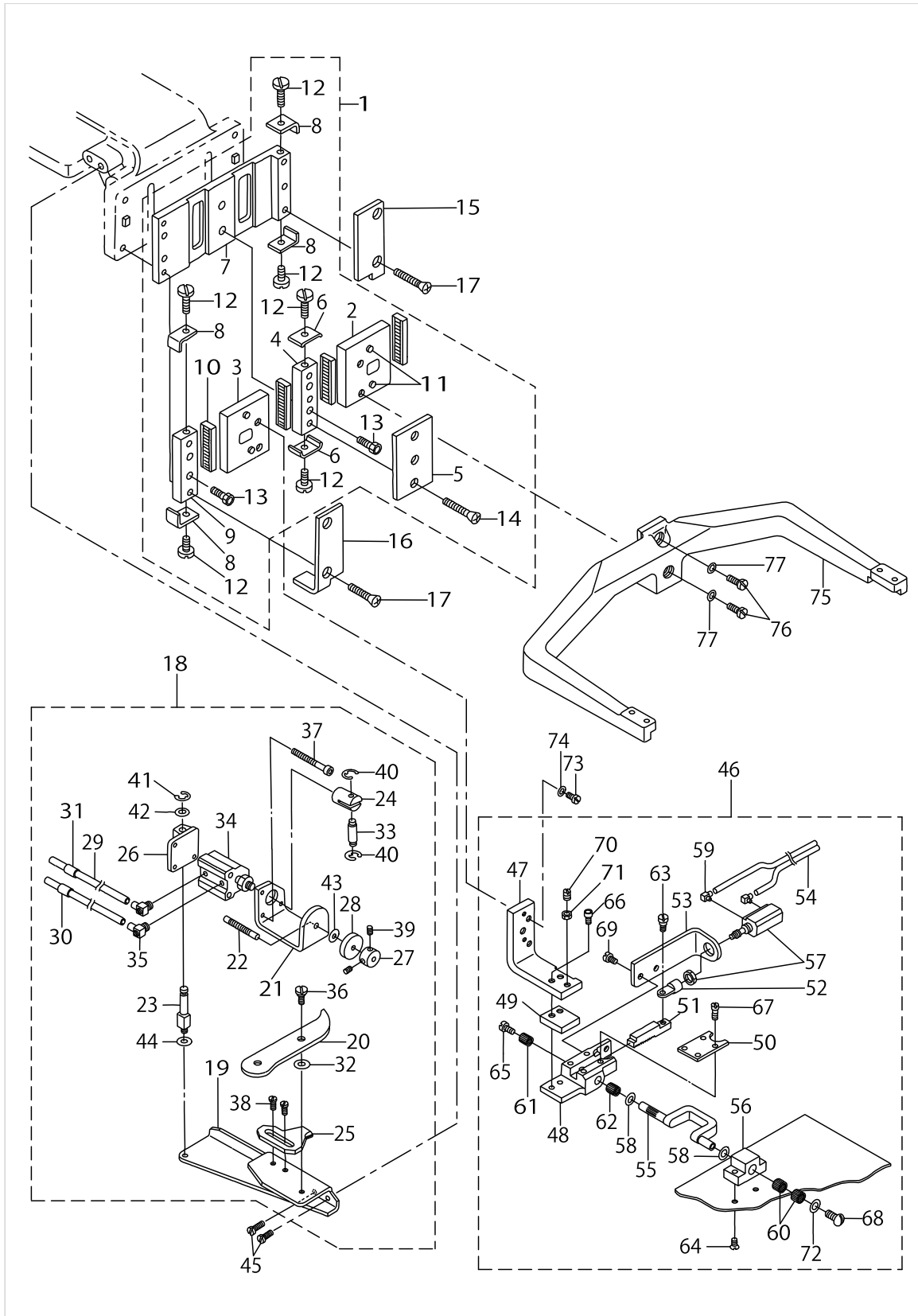
PRESSER PLATE COMPONENTS(1)



PRESSER PLATE COMPONENTS(1)

No.	Parts No.	Parts name	Remarks	Level	Cons	Qty
1	B26102200A0	SLIDE PLATE ASM.				1
2	B2611220000	SLIDE PLATE, RIGHT		*		1
3	B2612220000	SLIDE PLATE, LEFT		*		1
4	B2613220000	CENTER RACE		*		1
5	B2614220000	SUPPORT SLIDE PLATE, MIDDLE		*		1
6	B2615220000	STOPPER, MIDDLE		*		2
7	B2572220000	WORK CLAMP FOOT PLATE		*		1
8	B2565220000	STOPPER		*		4
9	B2567220000	WORK CLAMP FOOT LACE		*		1
10	B2513222000	BEARING		*		4
11	B1816280000	GUIDE PIN		*		4
12	SS7090530SP	SCREW 9/64-40 L= 4.5		*		6
13	SM6040602TP	SCREW M4 L=6		*		4
14	SS2110920TP	SCREW 11/64-40 L=8.5		*		3
15	B2544222000	RECEIVER PLATE, RIGHT				1
16	B2545222000	RECEIVER PLATE, LEFT				1
17	SS2122410TP	SCREW				4
18	B25142200A0	TWO-STEPPED STROKE ASM.				1
19	B2514220000	TWO-STEPPED STROKE PLATE		*		1
20	B2516220000	LINK		*		1
21	B2518220000	REGULATION SHAFT BRACKET		*		1
22	B2527220000	REGULATION SHAFT		*		1
23	B2528220000	CYLINDER SHAFT		*		1
24	B2530220000	CYLINDER KNUCKLE		*		1
25	B2534220000	STOPPER B		*		1
26	B2536220000	CYLINDER BRACKET		*		1
27	B2304205000	KNOB		*		1
28	B3012816A00	NUT		*		1
29	B471022000F	AIR TUBE F		*		2
30	B471122000E	AIR TUBE LABEL J05		*		1
31	B471122000F	AIR TUBE LABEL J06		*		1
32	B323077100B	SPACER T=0.5		*		1
33	MAO12002000	PEDAL SWITCH FRAME STUD		*		1
34	B4713220000	CYLINDER		*		1
35	PJ046052503	HOSE ELBOW		*		2
36	SD0600291TP	HINGE SCKEW D=6 H=2.9		*		1
37	SM6054502TP	SCREW M5X0.8 L=45		*		4
38	SS7110840SP	SCREW 11/64-40 L=7.8		*		2
39	SS8110422TP	SCREW 11/64-40 L=4		*		2
40	RE0320610KX	SNAP RING		*		2
41	RE0600000K0	E-SHAPED SNAP RING (6MM)		*		1
42	WP0820516SP	WASHER 11.6X8.2X0.6		*		1
43	WP0702026SP	WASHER 7X15X2		*		1
44	WP0650876SD	WASHER 6.5X13X0.8		*		1
45	SS6121060SP	SCREW				2
46	B43012200A0	INNER PRESSER FOOT ASM. FOR TU				1
47	B4301220000	WORK CLAMP FOOT		*		1

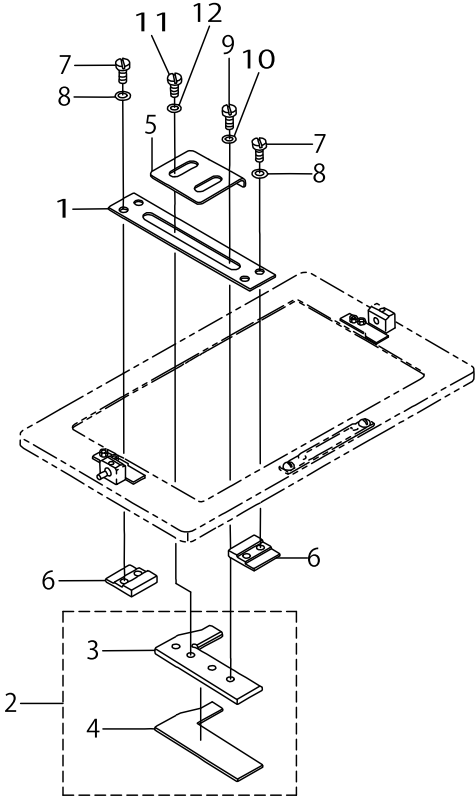
PRESSER PLATE COMPONENTS(1)



PRESSER PLATE COMPONENTS(1)

No.	Parts No.	Parts name	Remarks	Level	Cons	Qty
48	B4302220000	BEARING		*		1
49	B4303220000	SPACER		*		1
50	B4304220000	SUPPORT RACK		*		1
51	B4305220000	TURN RACK		*		1
52	B4306220000	KNUCKLE		*		1
53	B4307220000	BRACKET		*		1
54	B4308220000	TUBE		*		1
55	B4309220000	CRANK SHAFT		*		1
56	B4320220000	SUPPORT BASE		*		1
57	B4327220000	CYLINDER		*		1
58	B4328220000	WASHER		*		2
59	PJ046052503	HOSE ELBOW		*		2
60	SB307000100	NEEDLE BEARING		*		2
61	SB307000100	NEEDLE BEARING		*		1
62	SB307000200	BEARING		*		1
63	SD0460703TP	HINGE SCREW		*		1
64	SS1121010SP	SCREW		*		2
65	SS6110640SP	SCREW 11/64-40 L= 6.0		*		1
66	SS6151412TP	SCREW 15/64-28 L=14		*		2
67	SS7090910TP	SCREW 9/64-40 L= 8.5		*		4
68	SS5110710SP	SCREW 11/64-40 L=7		*		1
69	SS7150940SP	SCREW 15/64-28 L=9		*		2
70	SS8150912TH	SCREW		*		1
71	NS6150310SP	NUT 15/64-28		*		1
72	B322877100B	BOBBIN WINDER SPACER		*		1
73	SS7151210SP	SCREW 15/64-28 L=12				2
74	WP0651056SD	WASHER 6.5X11X1				2
75	B4322220000	FEEDING FRAME ARM				1
76	SS7151610SP	SCREW 15/64-28 L=16				2
77	WP0641600SC	WASHEW 6.4X12.5X1.6				2

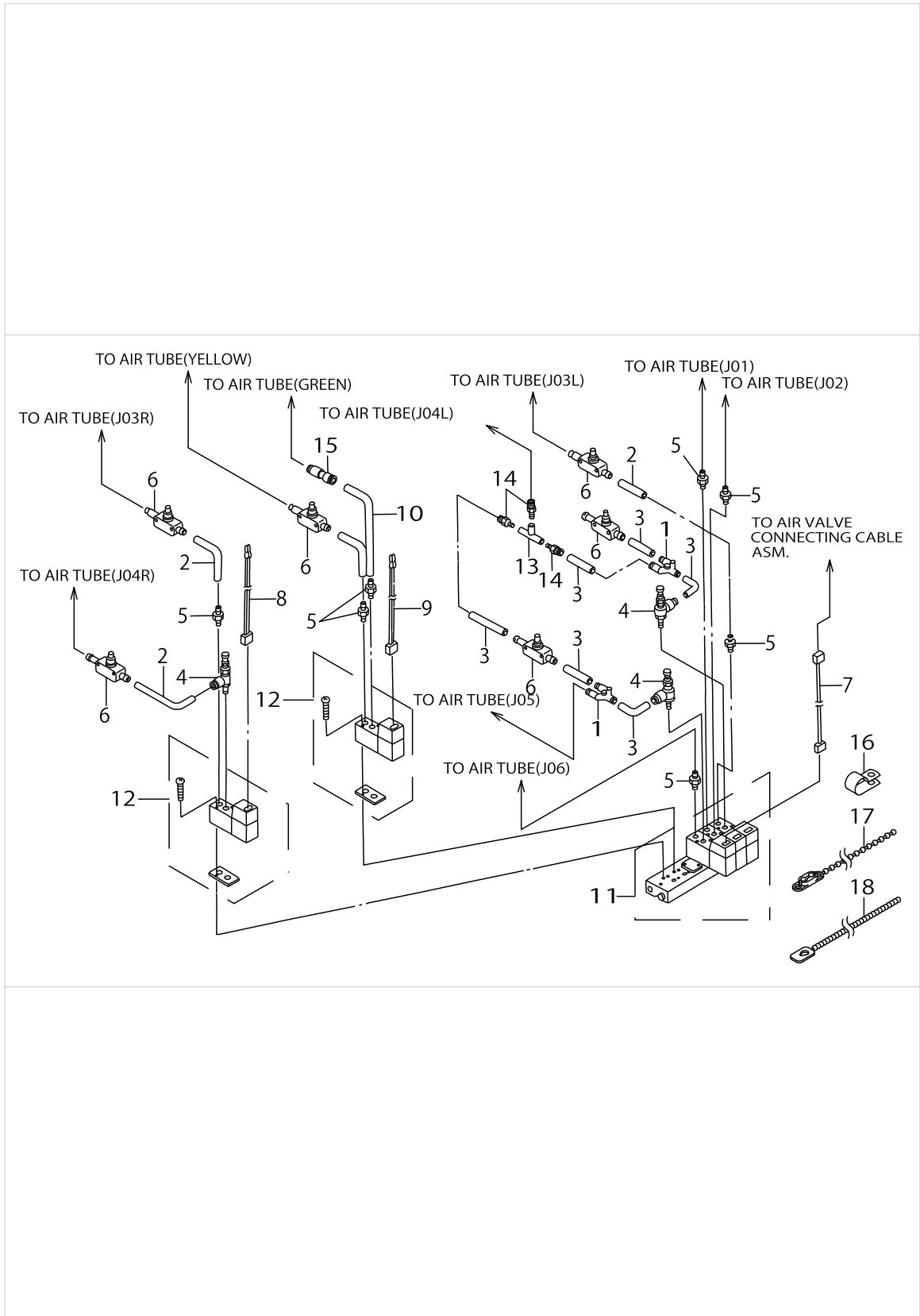
PRESSER PLATE COMPONENTS(2)



PRESSER PLATE COMPONENTS(2)

No.	Parts No.	Parts name	Remarks	Level	Cons	Qty
1	B4310220000	LABEL GUIDE A				1
2	B43112200A0	LABEL GUIDE B ASM.				1
3	B4311220000	LABEL GUIDE B		*		1
4	B4315220000	SEAT		*		1
5	B4312220000	LABEL GUIDE C				1
6	B4313220000	REGULAR PLATE				2
7	SS4110815SP	SCREW 11/64-40 L=8				4
8	WP0450801SD	WASHER 4.5X10.0X0.8				4
9	SS4110815SP	SCREW 11/64-40 L=8				2
10	WP0450801SD	WASHER 4.5X10.0X0.8				2
11	SS4110815SP	SCREW 11/64-40 L=8				2
12	WP0450801SD	WASHER 4.5X10.0X0.8				2

PNEUMATIC COMPONENTS



PNEUMATIC COMPONENTS

No.	Parts No.	Parts name	Remarks	Level	Cons	Qty
1	PJ308040002	QUICK COUPLING				2
2	B471022000A	AIR TUBE A D=4				3
3	B471022000B	AIR TUBE B D=4				6
4	PF070501000	PRESSURE DECREASING VALVE				3
5	PJ032052503	HOSE NIPPLE				7
6	PC012401000	SPEED CONTROLLER				6
7	B47122150A0	SOLENOID VALVE CONNECTOR ASM.				1
8	B4712215AA0	SOLENOID VALVE CONNECTOR ASM.A				1
9	B4712215BA0	SOLENOID VALVE CONNECTOR ASM.B				1
10	B4329220000	RELAY TUBE				1
11	PV0351240B0	SOLENOID VALVE ASM.				1
12	PV140501000	SOLENOID VALVE				2
13	PV205101000	SHUTTLE VALVE				1
14	PJ301045101	HALF UNION				3
15	PJ303040002	STRAIGHT UNION				1
16	HX00150000E	CORD PRESSER 3-POLE (220/240V)				1
17	HX002890000	BEADE BAND				1
18	HX000220000	BAND				2

TABLE ACCESSORIE PART,OPTIONAL PART COMPONENTS

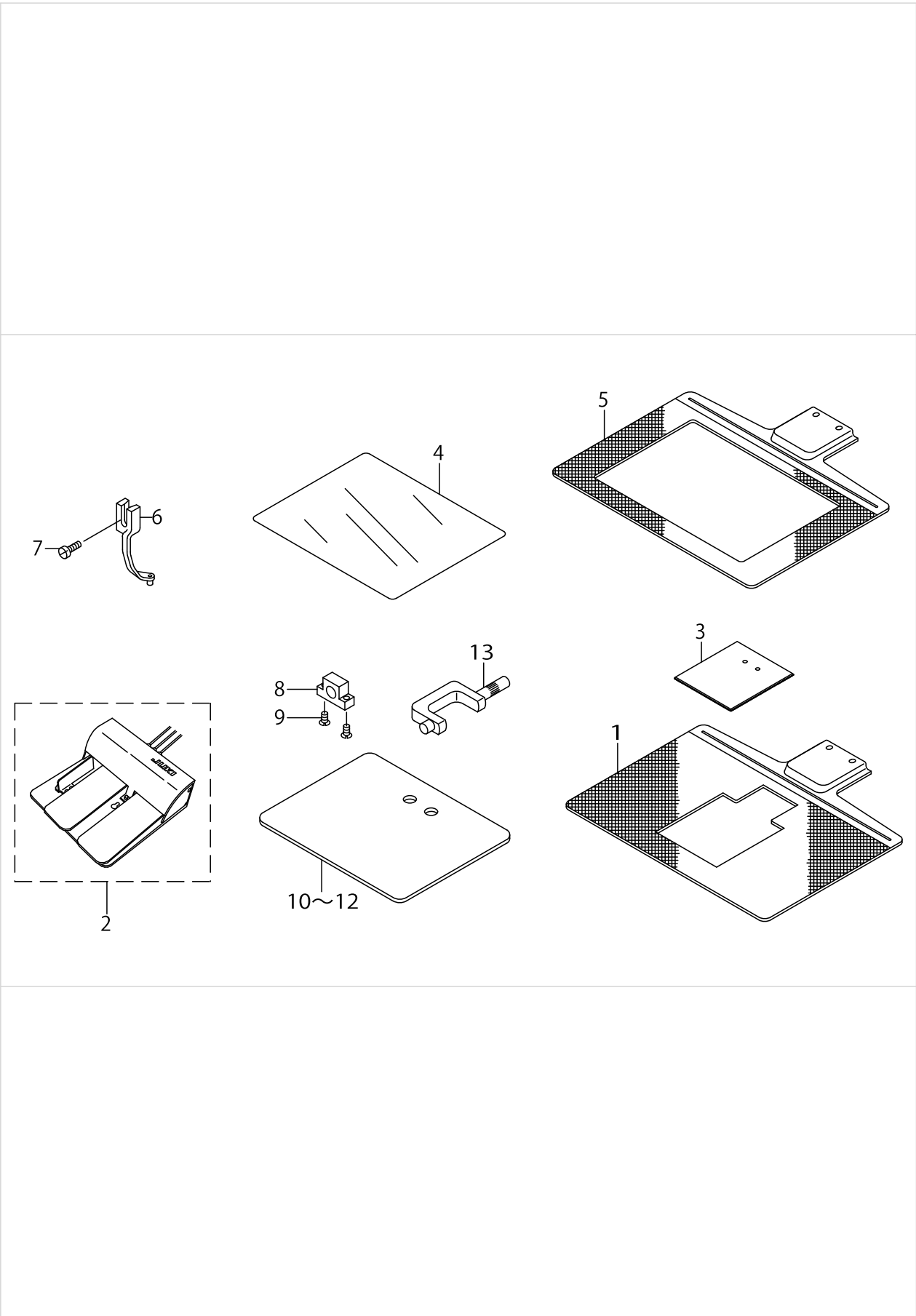
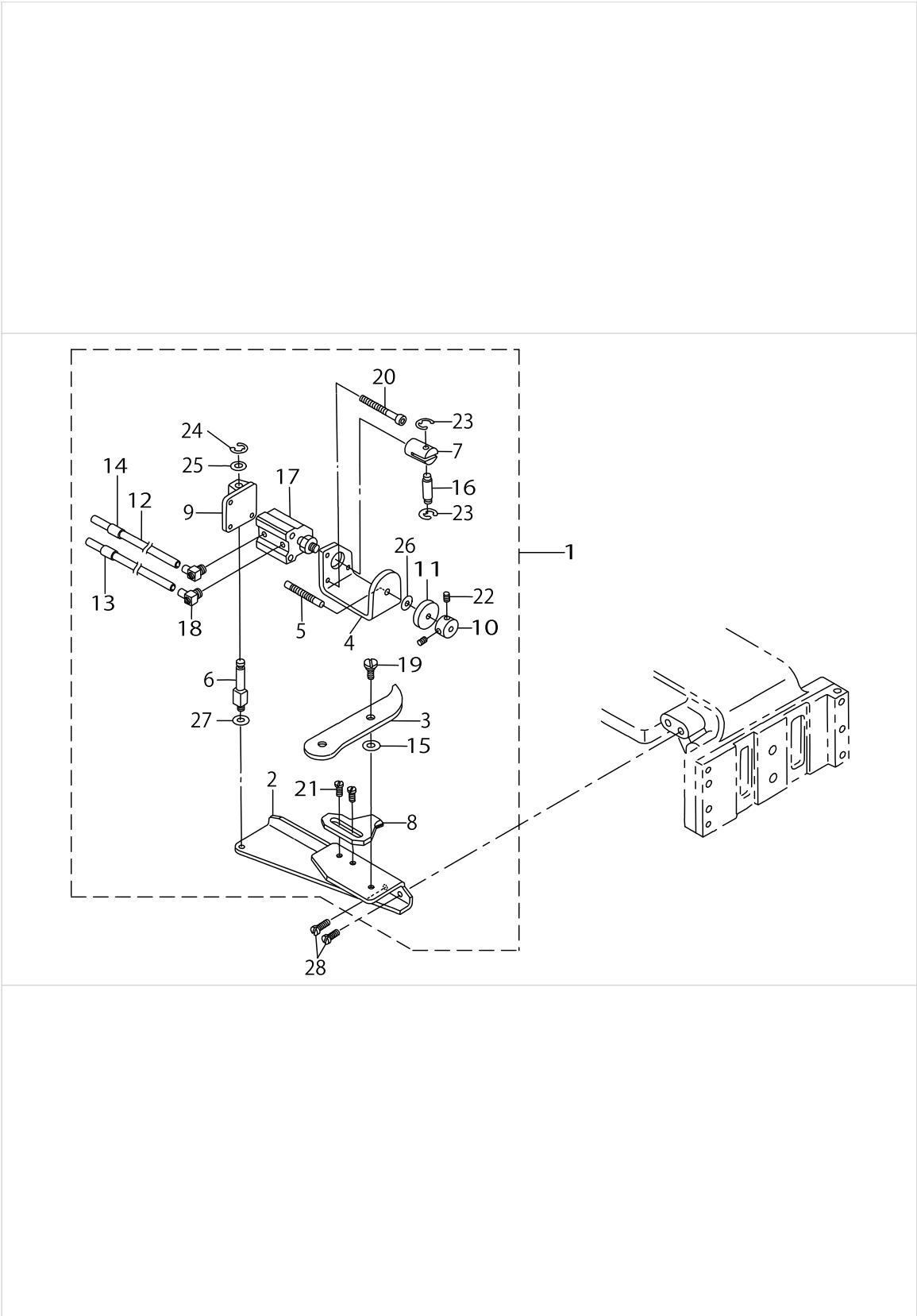


TABLE ACCESSORIE PART,OPTIONAL PART COMPONENTS

No.	Parts No.	Parts name	Remarks	Level	Cons	Qty
1	D251922XX00	PRESSER CLOTH LOWER PLATE	FOR AMS-220CST-5550,CHT-5550			1
2	GPK470010AA	3-JOINT PEDAL ASM.				1
3	D255122XX00	TURN OVER PRESSER PLATE	FOR AMS-220CST-5550,CHT-5550			1
4	B1131220000	TOP COVER SEAT				4
5	B2556220000	FEED PLATE				1
6	B1601220000	INTERMEDIATE PRESSER A				1
7	SS7091110SP	SCREW 9/64-40 L=10.5				1
8	B4316220000	SUPPORT BASE B	OPTIONAL PART			1
9	SS1090750SP	SCREW 9/64-40 L=7	OPTIONAL PART			2
10	B4317220000	LARGE BLANK (DIAMOND CUT)	OPTIONAL PART			1
11	B4318220000	MIDDLE BLANK (DIAMOND CUT)	OPTIONAL PART			1
12	B4319220000	SMALL BLANK (DIAMOND CUT)	OPTIONAL PART			1
13	B4326220000	CRANK SHAFT B	OPTIONAL PART			1

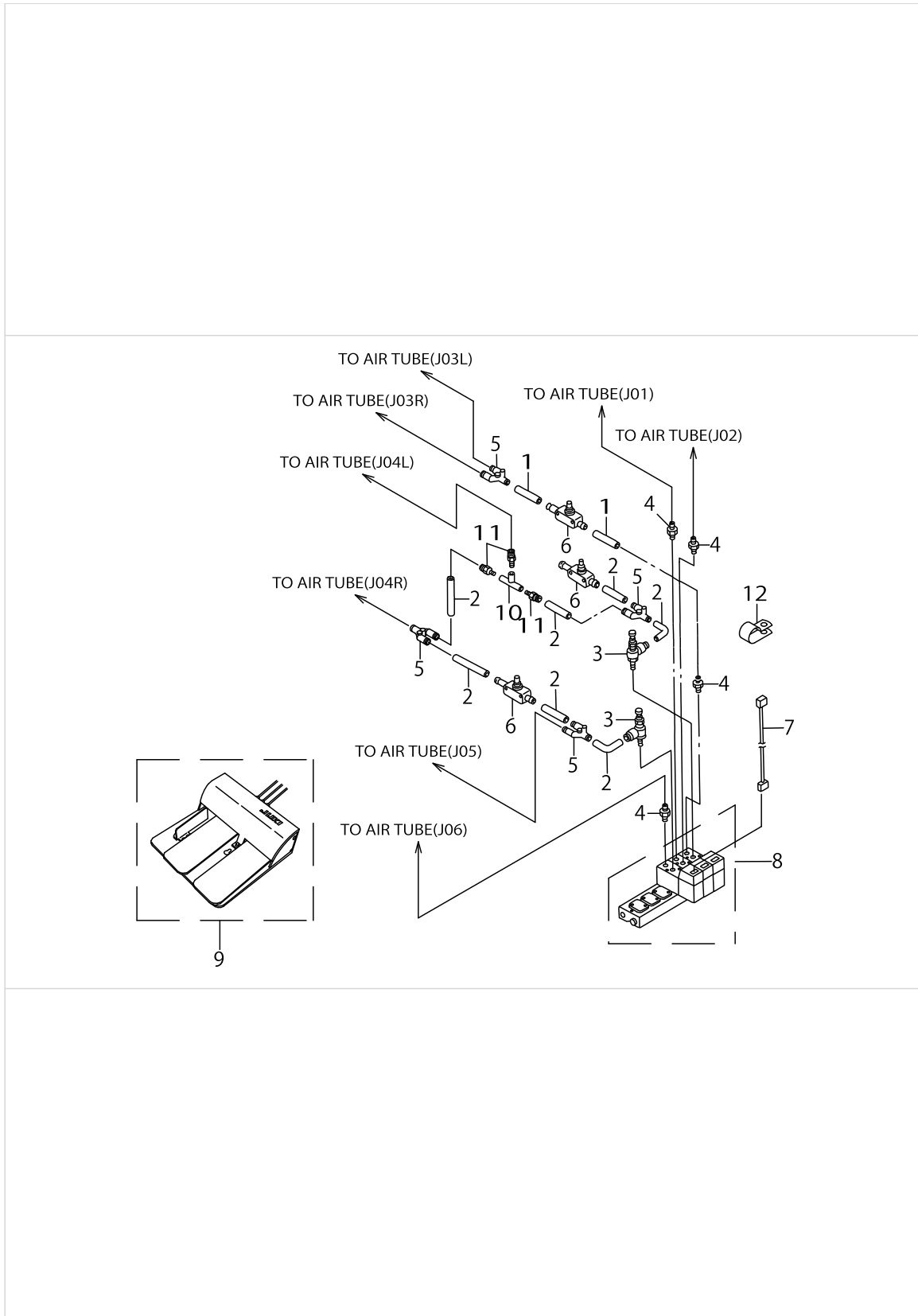
PRESSER PLATE COMPONENTS



PRESSER PLATE COMPONENTS

No.	Parts No.	Parts name	Remarks	Level	Cons	Qty
1	B25142200A0	TWO-STEPPED STROKE ASM.				1
2	B2514220000	TWO-STEPPED STROKE PLATE		*		1
3	B2516220000	LINK		*		1
4	B2518220000	REGULATION SHAFT BRACKET		*		1
5	B2527220000	REGULATION SHAFT		*		1
6	B2528220000	CYLINDER SHAFT		*		1
7	B2530220000	CYLINDER KNUCKLE		*		1
8	B2534220000	STOPPER B		*		1
9	B2536220000	CYLINDER BRACKET		*		1
10	B2304205000	KNOB		*		1
11	B3012816A00	NUT		*		1
12	B471022000F	AIR TUBE F		*		2
13	B471122000E	AIR TUBE LABEL J05		*		1
14	B471122000F	AIR TUBE LABEL J06		*		1
15	B323077100B	SPACER T=0.5		*		1
16	MAO12002000	PEDAL SWITCH FRAME STUD		*		1
17	B4713220000	CYLINDER		*		1
18	PJ046052503	HOSE ELBOW		*		2
19	SD0600291TP	HINGE SCKEW D=6 H=2.9		*		1
20	SM6054502TP	SCREW M5X0.8 L=45		*		4
21	SS7110840SP	SCREW 11/64-40 L=7.8		*		2
22	SS8110422TP	SCREW 11/64-40 L=4		*		2
23	RE0320610KX	SNAP RING		*		2
24	RE0600000K0	E-SHAPED SNAP RING (6MM)		*		1
25	WP0820516SP	WASHER 11.6X8.2X0.6		*		1
26	WP0702026SP	WASHER 7X15X2		*		1
27	WP0650876SD	WASHER 6.5X13X0.8		*		1
28	SS6121060SP	SCREW				2

TABLE,PNEUMATIC COMPONENTS



TABLE,PNEUMATIC COMPONENTS

No.	Parts No.	Parts name	Remarks	Level	Cons	Qty
1	B471022000A	AIR TUBE A D=4				2
2	B471022000B	AIR TUBE B D=4				7
3	PF070501000	PRESSURE DECREASING VALVE				2
4	PJ032052503	HOSE NIPPLE				4
5	PJ308040002	QUICK COUPLING				4
6	PC012401000	SPEED CONTROLLER				3
7	B47122150A0	SOLENOID VALVE CONNECTOR ASM.				1
8	PV0351240B0	SOLENOID VALVE ASM.				1
9	GPK470010AA	3-JOINT PEDAL ASM.				1
10	PV205101000	SHUTTLE VALVE				1
11	PJ301045101	HALF UNION				3
12	HX00150000E	CORD PRESSER 3-POLE (220/240V)				1

HOW TO MAKE USE OF THIS PARTS LIST

1.As to "#01" and "#02" refer to the "Note" given at the bottom of the respective pages.

2.Codes on the "Qty" column

- Each numeral indicates the number of parts required.
- "0.1" and "2.5" indicate the length (in meters) of the respective parts.

3.Parentheses mean that the corresponding part is a subpart that constructs an assembly part.

4.Dotted lines on the Figures indicate assembly parts.

1. リストページの# 0 1、# 0 2の印は、ページ下の"注記"の説明を参照下さい。
2. 数量欄の数字は、個数を表し、0. 1、2. 5等の数値は、長さ（単位メートル）を表します。
3. 数量欄の（ ）は、組部品を構成している子部品であることを意味します。
4. イラストページの-----枠は、組構成であることを意味します。

NUMERICAL INDEX OF PARTS

PART NO	PAGE	REF NO.	PART NO	PAGE	REF NO.	PART NO	PAGE	REF NO.
B1103220000	2	7	B2530220000	4	39	B26222200Y0	10	12
B1103220000	12	7	B2530220000	14	24	B26232200Y0	10	14
B1113224000	2	8	B2530220000	24	7	B26262200Y0	10	13
B1113224000	12	8	B2534220000	4	40	B3012816A00	4	43
B1121224000	2	9	B2534220000	14	25	B3012816A00	14	28
B1121224000	12	9	B2534220000	24	8	B3012816A00	24	11
B11262200A0	2	1	B2536220000	4	41	B322877100B	16	72
B11262200A0	12	1	B2536220000	14	26	B323077100B	4	47
B11272200A0	2	2	B2536220000	24	9	B323077100B	14	32
B11272200A0	12	2	B2544222000	4	16	B323077100B	24	15
B112822000A	2	3	B2544222000	14	15	B4301220000	14	47
B112822000A	12	3	B2545222000	4	17	B43012200A0	14	46
B112922000A	2	4	B2545222000	14	16	B4302220000	16	48
B112922000A	12	4	B2556220000	22	5	B4303220000	16	49
B1131220000	22	4	B2565220000	4	25	B4304220000	16	50
B1132224000	2	10	B2565220000	14	8	B4305220000	16	51
B1132224000	12	10	B2567220000	4	26	B4306220000	16	52
B1406210000	12	13	B2567220000	14	9	B4307220000	16	53
B1601220000	22	6	B2572220000	4	24	B4308220000	16	54
B1626850000	10	9	B2572220000	14	7	B4309220000	16	55
B1816280000	4	28	B2601220000	4	1	B4310220000	18	1
B1816280000	14	11	B26022200A0	4	2	B4311220000	18	3
B2304205000	4	42	B26032200A0	4	3	B43112200A0	18	2
B2304205000	14	27	B26042200A0	4	6	B4312220000	18	5
B2304205000	24	10	B26052200A0	4	7	B4313220000	18	6
B2513222000	4	27	B2606220000	4	10	B4315220000	18	4
B2513222000	14	10	B2607220000	4	11	B4316220000	22	8
B2514220000	4	34	B26102200A0	4	18	B4317220000	22	10~12
B2514220000	14	19	B26102200A0	14	1	B4318220000	22	10~12
B2514220000	24	2	B2611220000	4	19	B4319220000	22	10~12
B25142200A0	4	33	B2611220000	14	2	B4320220000	16	56
B25142200A0	14	18	B2612220000	4	20	B4322220000	16	75
B25142200A0	24	1	B2612220000	14	3	B4326220000	22	13
B2516220000	4	35	B2613220000	4	21	B4327220000	16	57
B2516220000	14	20	B2613220000	14	4	B4328220000	16	58
B2516220000	24	3	B2614220000	4	22	B4329220000	20	10
B2518220000	4	36	B2614220000	14	5	B471022000A	8	1
B2518220000	14	21	B2615220000	4	23	B471022000A	20	2
B2518220000	24	4	B2615220000	14	6	B471022000A	26	1
B2527220000	4	37	B2616220000	10	2	B471022000B	8	2
B2527220000	14	22	B2617220000	10	3	B471022000B	20	3
B2527220000	24	5	B2618220000	10	4	B471022000B	26	2
B2528220000	4	38	B2619220000	10	5	B471022000F	4	44
B2528220000	14	23	B26202200Y0	10	10·11	B471022000F	14	29
B2528220000	24	6	B26212200Y0	10	10·11	B471022000F	24	12

NUMERICAL INDEX OF PARTS

PART NO	PAGE	REF NO.	PART NO	PAGE	REF NO.	PART NO	PAGE	REF NO.
B471122000E	4	45	PJ046052503	6	50	SS4110815SP	18	11
B471122000E	14	30	PJ046052503	14	59	SS5110710SP	16	68
B471122000E	24	13	PJ046052503	16	59	SS6110640SP	16	65
B471122000F	4	46	PJ046052503	24	18	SS6121060SP	6	60
B471122000F	14	31	PJ301045101	8	13	SS6121060SP	14	45
B471122000F	24	14	PJ301045101	20	14	SS6121060SP	24	28
B47122150A0	8	6	PJ301045101	26	11	SS6151412TP	16	66
B47122150A0	20	7	PJ303040002	20	15	SS7090410SP	10	7
B47122150A0	26	7	PJ308040002	8	10	SS7090530SP	4	29
B4712215AA0	8	7	PJ308040002	20	1	SS7090530SP	14	12
B4712215AA0	20	8	PJ308040002	26	5	SS7090910TP	16	67
B4712215BA0	20	9	PV0351240B0	8	9	SS7091110SP	22	7
B4713220000	6	49	PV0351240B0	20	11	SS7110840SP	6	53
B4713220000	14	34	PV0351240B0	26	8	SS7110840SP	14	38
B4713220000	24	17	PV140501000	8	11	SS7110840SP	24	21
D251922XX00	22	1	PV140501000	20	12	SS7150910TP	4	12
D255122XX00	22	3	PV205101000	8	12	SS7150940SP	16	69
GPK470010AA	10	1	PV205101000	20	13	SS7151210SP	4	4
GPK470010AA	22	2	PV205101000	26	10	SS7151210SP	16	73
GPK470010AA	26	9	RE0320610KX	6	55	SS7151610SP	16	76
HX000220000	20	18	RE0320610KX	14	40	SS8110422TP	6	54
HX00150000E	8	8	RE0320610KX	24	23	SS8110422TP	14	39
HX00150000E	20	16	RE0600000K0	6	56	SS8110422TP	24	22
HX00150000E	26	12	RE0600000K0	14	41	SS8150822TP	4	14
HX002890000	20	17	RE0600000K0	24	24	SS8150912TH	16	70
MAO12002000	6	48	SB307000100	16	61	SS9110920CP	2	11
MAO12002000	14	33	SB307000200	16	62	SS9110920CP	12	11
MAO12002000	24	16	SD0460703TP	16	63	SS9151410CP	4	8
MC372000900	12	14~17	SD0600291TP	6	51	WP0450000SD	10	8
MC372001100	12	14~17	SD0600291TP	14	36	WP0450801SD	18	12
MDP170B1400	12	14~17	SD0600291TP	24	19	WP0520656SA	2	12
MDP170B1800	12	14~17	SM1030601SC	2	5	WP0520656SA	12	12
NM7030550SB	2	6	SM1030601SC	12	5	WP0641600SC	16	77
NM7030550SB	12	6	SM6040602TP	4	30	WP0650876SD	6	59
NS6150310SP	16	71	SM6040602TP	14	13	WP0650876SD	14	44
NS6150330SD	4	15	SM6054502TP	6	52	WP0650876SD	24	27
PC012401000	8	5	SM6054502TP	14	37	WP0651056SD	4	13
PC012401000	20	6	SM6054502TP	24	20	WP0651056SD	16	74
PC012401000	26	6	SS1090750SP	22	9	WP0702026SP	6	58
PF070501000	8	3	SS1121010SP	16	64	WP0702026SP	14	43
PF070501000	20	4	SS2110920TP	4	31	WP0702026SP	24	26
PF070501000	26	3	SS2110920TP	14	14	WP0820516SP	6	57
PJ032052503	8	4	SS2111010TP	10	6	WP0820516SP	14	42
PJ032052503	20	5	SS2122410TP	4	32	WP0820516SP	24	25
PJ032052503	26	4	SS2122410TP	14	17			