

MODEL : LH-3120

List No : 1077-06

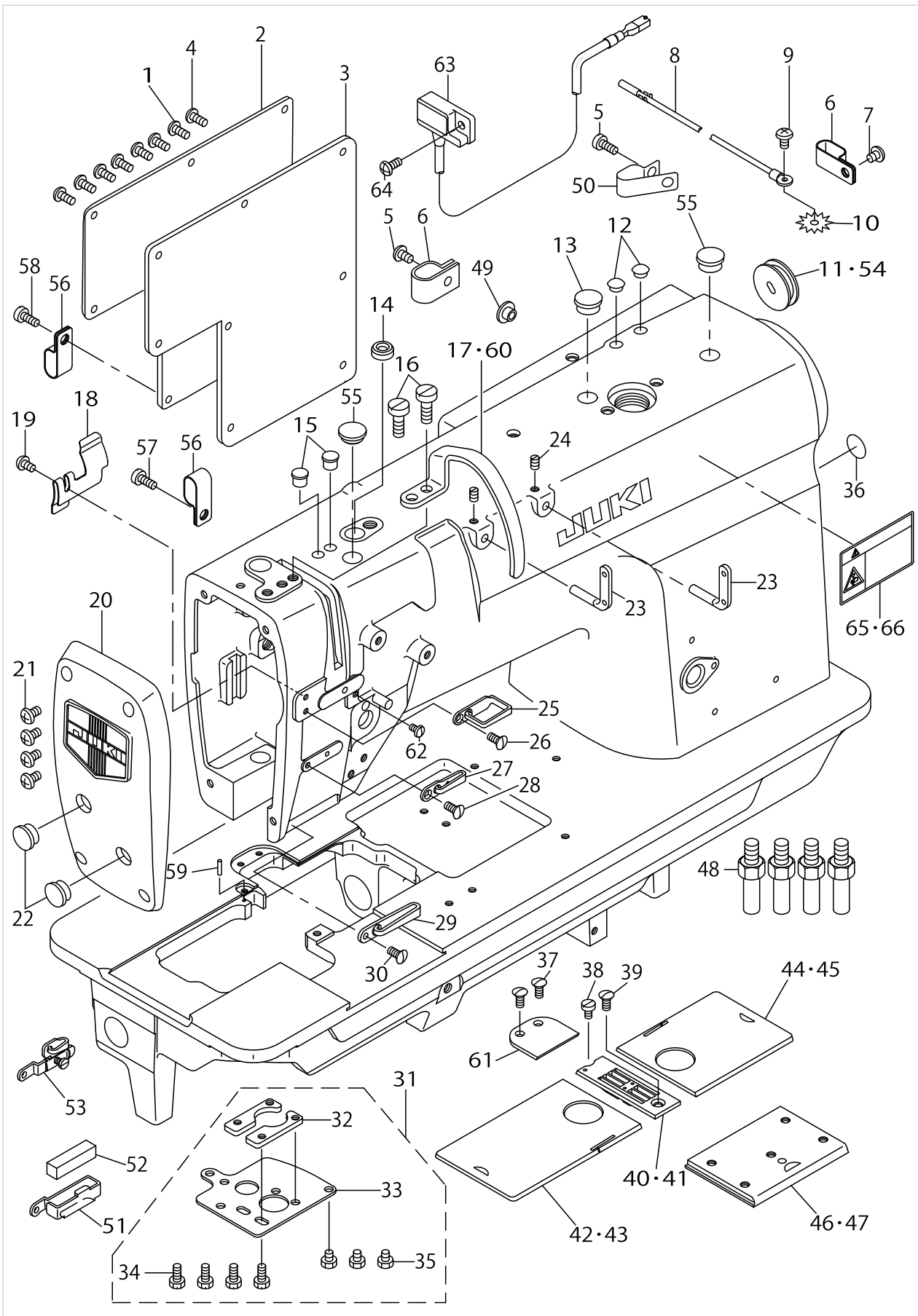
PARTS LIST

Published:09/22/2017

CONTENTS

FRAME & MISCELLANEOUS COVER COMPONENTS	1
MAIN SHAFT, THREAD TAKE-UP & NEEDLE BAR COMPONENTS	5
TENSION POST COMPONENTS	9
HOOK & HOOK DRIVING SHAFT COMPONENTS	11
FEED MECHANISM COMPONENTS.....	15
PRESSER BAR & TENSION RELEASE COMPONENTS.....	19
THREAD TRIMMER MECHANISM COMPONENTS (FOR LH-3120-7).....	23
AUTOMATIC REVERSE FEED MECHANISM COMPONENTS (FOR LH-3120-7).....	27
WIPER MECHANISM COMPONENTS (FOR LH-3120-7).....	29
LUBRICATION COMPONENTS	31
BELT COVER & BOBBIN WINDER COMPONENTS	35
OIL RESERVOIR & KNEE LIFTER COMPONENTS.....	37
THREAD STAND COMPONENTS (1).....	39
THREAD STAND COMPONENTS (2).....	41
TABLE OF EXCHANGING GAUGE PARTS (1).....	43
TABLE OF EXCHANGING GAUGE PARTS (2).....	47
LIST FOR INFORMATION OF CHANGE.....	49
HOW TO MAKE USE OF THIS PARTS LIST	50

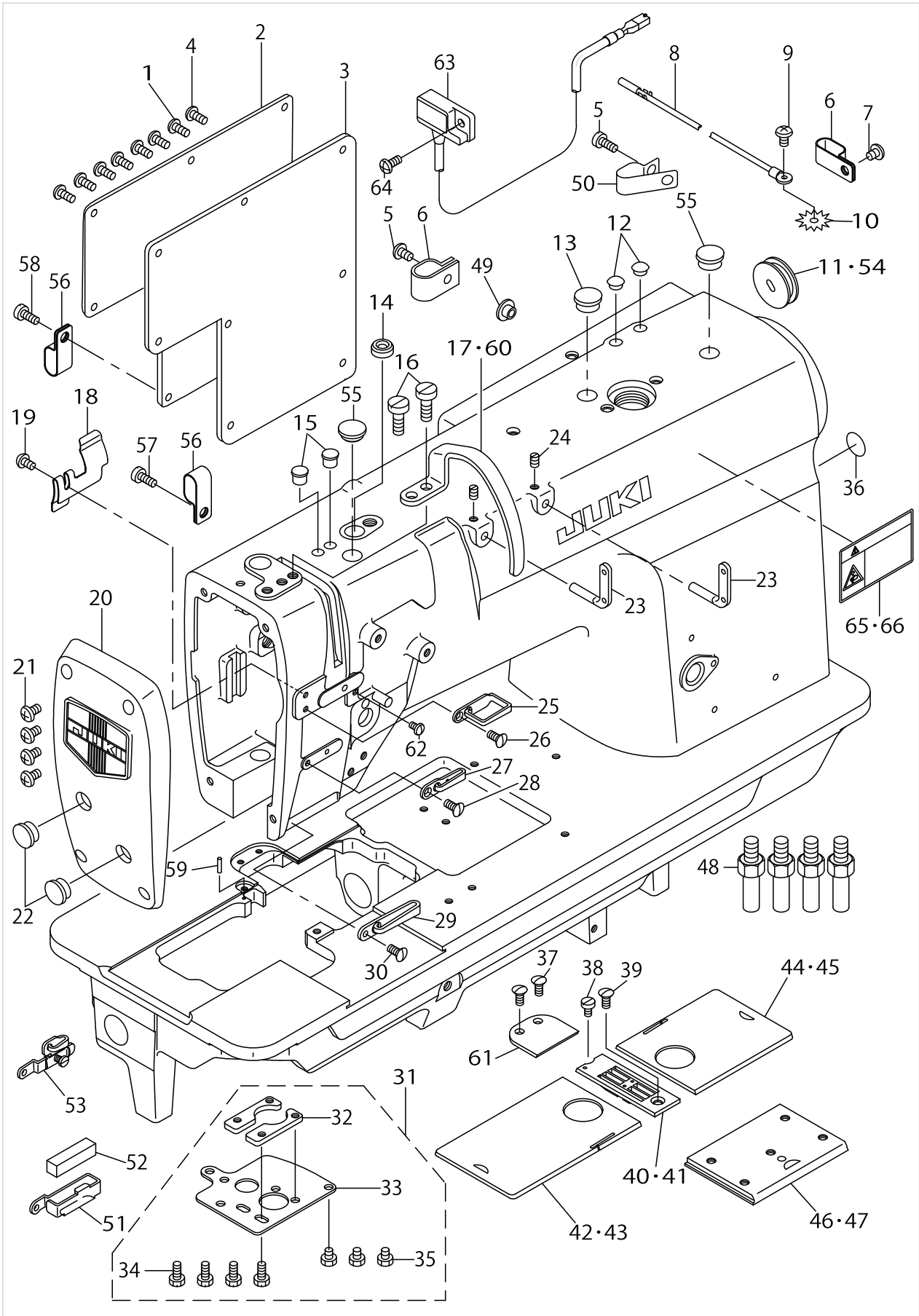
FRAME & MISCELLANEOUS COVER COMPONENTS



FRAME & MISCELLANEOUS COVER COMPONENTS

No.	Parts No.	Parts name	Remarks	Level	Cons	Qty
1	SS4110815SP	SCREW 11/64-40 L=8				5
2	10602902	SLIDE PLATE				1
3	10101004	GASKET				1
4	SS4110815SP	SCREW 11/64-40 L=8	FOR LH-3120			3
5	SS6111140SP	SCREW 11/64-40 L=11	FOR LH-3120-7			2
6	D2112555B00	CORD HOLDER, LARGE	FOR LH-3120-7			2
7	SS4120615SP	SCREW 3/16-28 L=6	FOR LH-3120-7			1
8	22951552	GROUND WIRE ASM.	FOR LH-3120-7			1
9	SS4120615SP	SCREW 3/16-28 L=6	FOR LH-3120-7			1
10	WT0530002KS	TOOTHED WASHER D=5.3	FOR LH-3120-7			1
11	22619100	CAP	FOR LH-3120			1
12	TA0750404R0	PLUG D=7.5 L=3.5	FOR LH-3120			2
13	TA1250406R0	RUBBER PLUG D=12.5 L=4				1
14	22620900	CAP				1
15	TA0750704R0	RUBBER PLUG				2
16	SS4150915SP	SCREW 15/64-28 L=9				2
17	22602007	THREAD TAKE-UP LEVER OIL GUARD	EXCEPT JAPAN & JE			1
18	23204803	LUBRICATING GUIDE				1
19	SS3090610SP	SCREW 9/64-40 L=6				1
20	22602254	FACE PLATE ASM.				1
21	SS4121015SP	SCREW 3/16-28 L=10				4
22	TA1250406R0	RUBBER PLUG D=12.5 L=4				2
23	22920706	TWO EYELET				2
24	SS8120740SP	SCREW 3/16-28 L=7				2
25	22603013	THREAD GUIDE (UPPER)				1
26	SS2090710TP	SCREW 9/64-40 L=7.2				1
27	22603112	THREAD GUIDE				1
28	SS2090710TP	SCREW 9/64-40 L=7.2				1
29	22603203	THREAD GUIDE (LOWER)				1
30	SS2090710TP	SCREW 9/64-40 L=7.2				1
31	22840557	FIXING PLATE ASM.				1
32	22840508	FIXING PLATE				2
33	22840409	JAWS PRESSING PLATE				1
34	SS9111010SP	SCREW 11/64-40 L=9.5				4
35	SS9110543CP	SCREW 11/64-40 L=5.3				3
36	10004109	GROUND MARK				1
37	SS2090710TP	SCREW 9/64-40 L=7.2				2
38	SS6090630SP	SCREW 9/64-40 L=6				1
39	SS2110920TP	SCREW 11/64-40 L=8.5				1
40	22845606	THROAT PLATE, (1/4).	EXCHANGING GAUGE PART FOR LH-3120(SEE P.25, 27)			1
41	22853600	THROAT PLATE, 1/4.	EXCHANGING GAUGE PART FOR LH-3120-7(SEE P.25, 27)			1
42	22601058	BED SLIDE LEFT, ASM., A	SELECTIVE PART FOR LH-3120			1
43	22650857	BED SLIDE LEFT, ASM., A	SELECTIVE PART FOR LH-3120-7			1
44	22600555	BED SLIDE RIGHT, ASM., A	SELECTIVE PART FOR LH-3120			1
45	22650352	BED SLIDE RIGHT, ASM., A	SELECTIVE PART FOR LH-3120-7			1
46	22650055	BED SLIDE ASM.	FOR LH-3120			1

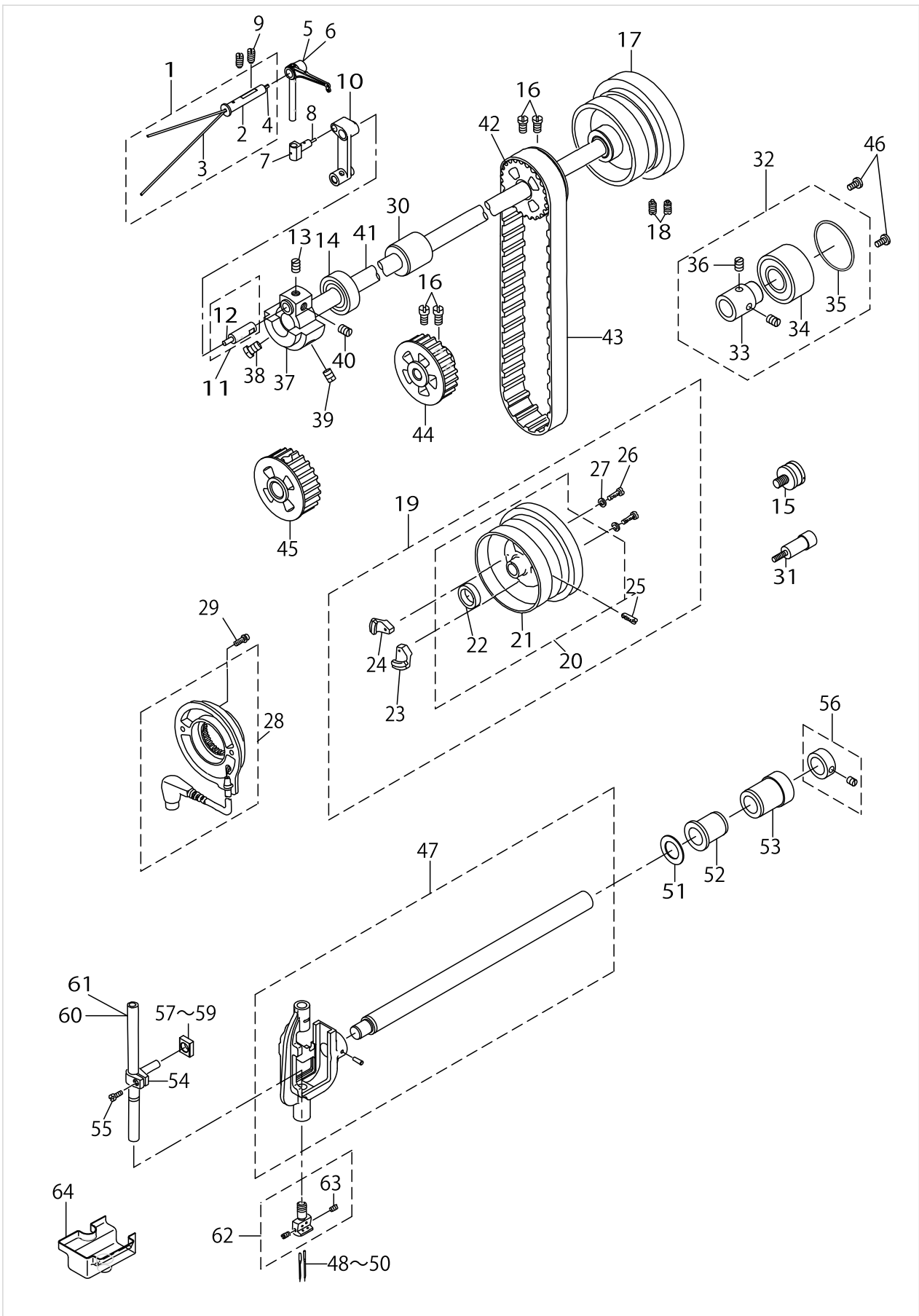
FRAME & MISCELLANEOUS COVER COMPONENTS



FRAME & MISCELLANEOUS COVER COMPONENTS

No.	Parts No.	Parts name	Remarks	Level	Cons	Qty
47	22650055	BED SLIDE ASM.	FOR LH-3120-7			1
48	22602601	BED SCREW STUD				4
49	TA1250406R0	RUBBER PLUG D=12.5 L=4				1
50	D2112555B00	CORD HOLDER, LARGE	FOR LH-3120-7-WB, -WO, -OB			1
51	22603609	THREAD GUIDE				1
52	22603708	FELT				1
53	22651459	THREAD GUIDE ASM., E	OPTIONAL PART			1
54	22657803	RUBBER PLUG	FOR LH-3120-7			1
55	TA1250406R0	RUBBER PLUG D=12.5 L=4				2
56	D2112555B00	CORD HOLDER, LARGE	FOR LH-3120-7-WB, -WO, -OB			2
57	SS4120615SP	SCREW 3/16-28 L=6	FOR LH-3120-7-WB, -WO, -OB			1
58	SS6111140SP	SCREW 11/64-40 L=11	FOR LH-3120-7-WB, -WO, -OB			1
59	B1104051000	THROAT PLATE PIN				1
60	22818009	BALANCE COVER(FOR JE)				1
61	22651202	AUXILIARY COVER				1
62	SS5090610SP	SCREW 9/64-40 L=6				1
63	M6046350AAA	RESISTANCE PACK ASM, AA.	FOR LH-3120-7			1
64	SS4111015SP	SCREW 11/64-40 L=10	FOR LH-3120-7			1
65	CM3002001A1	SAFETY LABEL.,3 (SMALL).	EXCEPT JAPAN & JE			1
66	CM300200101	SAFETY LABEL, 1(SMALL).	FOR JAPAN			1

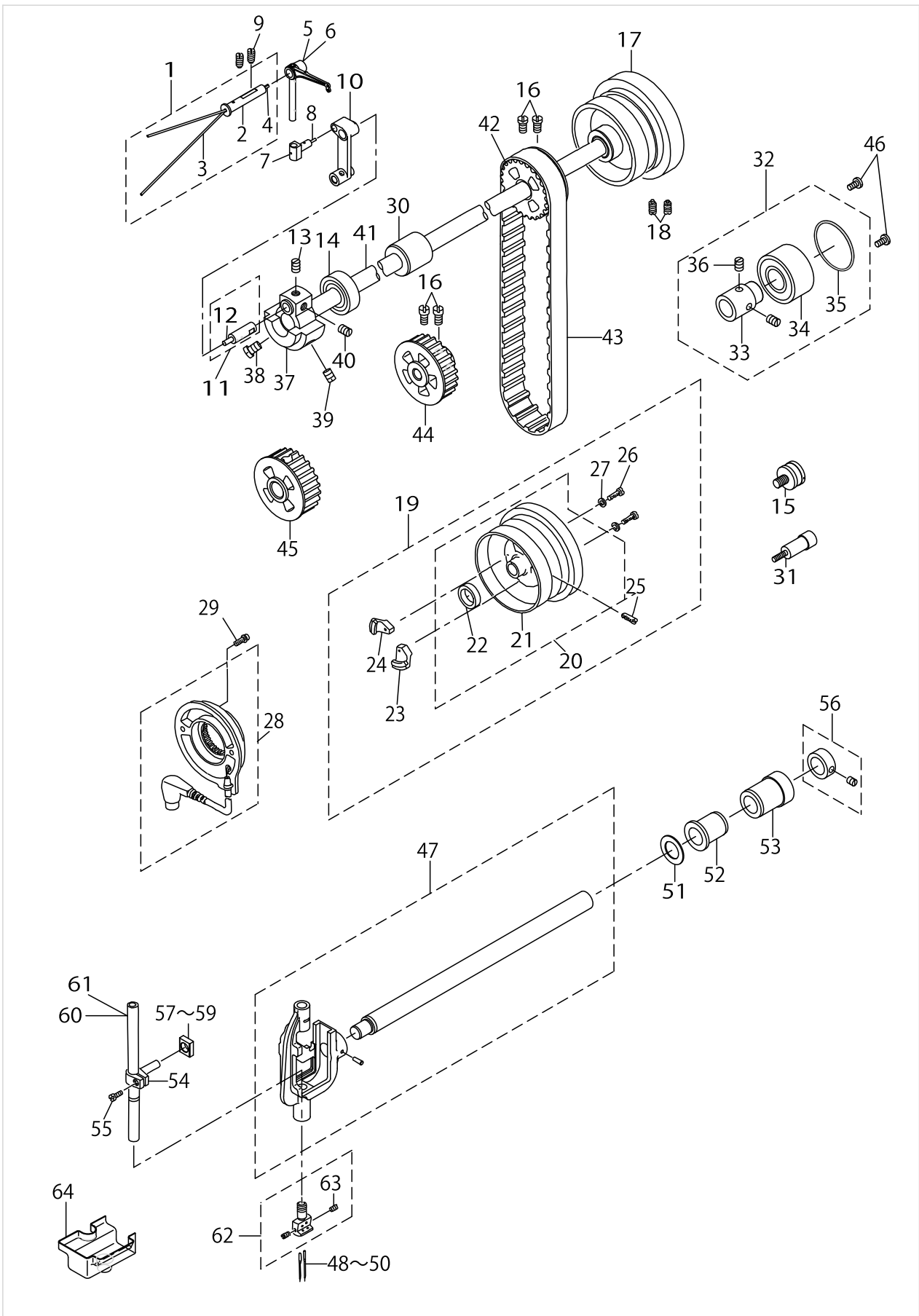
MAIN SHAFT, THREAD TAKE-UP & NEEDLE BAR COMPONENTS



MAIN SHAFT, THREAD TAKE-UP & NEEDLE BAR COMPONENTS

No.	Parts No.	Parts name	Remarks	Level	Cons	Qty
1	22605356	THREAD TAKE-UP LEVER PIN ASM.				1
2	22605307	THREAD TAKE-UP LEVER PIN				1
3	CQ202000000	OIL WICK				0.4
4	CQ252000000	OIL WICK				0.04
5	23203706	THREAD TAKE-UP LEVER A	FOR LH-3120			1
6	23203805	THREAD TAKE-UP LEVER B	FOR LH-3120-7			1
7	22605406	TAKE-UP LEVER THRUST PIN				1
8	CQ252000000	OIL WICK				0.03
9	SS8151150TP	SCREW 15/64-28 L=10.5				2
10	23204308	NEEDLE BAR CRANK ROD				1
11	B12105260A0	NEEDLE BAR CRANK PIN ASM.				1
12	CQ505000000	OIL WICK				0.1
13	SS8680540SP	SCREW 9/32-28 L= 4.5				1
14	B1202512000	MAIN SHAFT BUSHING, FRONT				1
15	22622401	SYNCRO FRNGE	OPTIONAL PARTS			1
16	SS6661110SP	SCREW 1/4-40 L=11				4
17	22604508	HAND WHEEL	FOR LH-3120			1
18	SS8151550SP	SCREW 15/64-28 L=15	FOR LH-3120			2
19	22651566	HAND WHEEL ASM.	FOR LH-3120-7			1
20	22651558	HAND WHEEL		*		1
21	22651509	HAND WHEEL		*		1
22	M4002110000	GENERATOR ROTOR		*		1
23	M40071100AA	MAGNET FITTING BASE A ASM.		*		1
24	M40071100AB	MAGNET FITTING BASE B ASM.		*		1
25	SS8151550SP	SCREW 15/64-28 L=15		*		2
26	SS6111210SP	SCREW 11/64-40 L=12		*		2
27	WP0450801SD	WASHER 4.5X10X0.8		*		2
28	11032562	DYNAMO STATOR		*		1
29	10604809	SCREW		*		2
30	22603906	UPPER SHAFT INNER METAL				1
31	22622351	SENSOR SUPPORT SHAFT ASM.	OPTIONAL PARTS			1
32	22604656	THRUST COLLAR ASM.				1
33	22604607	THRUST COLLAR				1
34	SB120000100	BEARING D=20X47				1
35	RO437200200	RUBBER RING				1
36	SS8660530TP	SCREW 1/4-40 L= 4.5				2
37	22604409	COUNTERWEIGHT				1
38	SS8681650TP	SCREW 9/32-28 L=16				1
39	SS7681750TP	SCREW 9/32-28 L=16.5				1
40	SS8680810TP	SCREW 9/32-28 L=8.0				1
41	22604003	MAIN SHAFT				1
42	22604904	UPPER SPROCKET				1
43	22604300	TIMING BELT				1
44	22623201	SPROCKET WHEEL	FOR LH-3120			1
45	22651608	SPROCKET WHEEL	FOR LH-3120-7			1
46	SS7120760SP	SCREW 3/16-28 L= 7.0				2
47	23204258	NEEDLE BAR ROCKING BASE ASM.				1

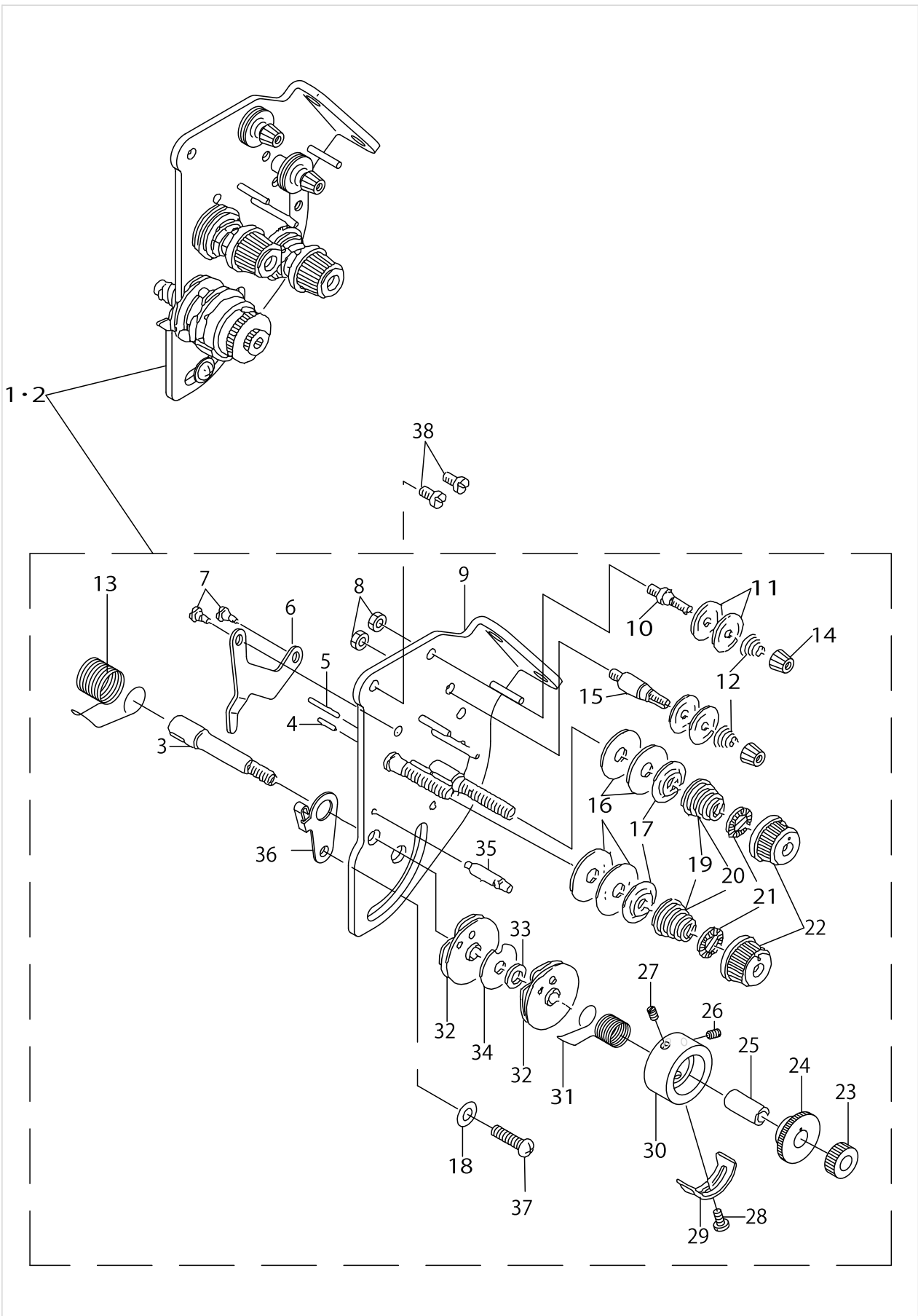
MAIN SHAFT, THREAD TAKE-UP & NEEDLE BAR COMPONENTS



MAIN SHAFT, THREAD TAKE-UP & NEEDLE BAR COMPONENTS

No.	Parts No.	Parts name	Remarks	Level	Cons	Qty
48	MDP500B1100	NEEDLE DPX5 #11	FOR LH-3120-7			2
49	MC200520650	NEEDLE 134SES SERV7 NM65	FOR LH-3120 TYPE F			2
50	MDP500B0900	NEEDLE DPX5 #9	FOR LH-3120 TYPE A			2
51	B1438512B00	WASHER 17.1X28X1.5	SELECTIVE PART			1
52	22607303	BUSHING				1
53	22607402	BUSHING				1
54	10104800	NEEDLE BAR CONNECTION				1
55	SS7090910SP	SCREW 9/64-40 L= 8.5				1
56	CS170101ASZ	THRUST COLLAR ASM. D=17 W=10				1
57	23204506	ROCKING ROD SQUARE BLOCK A	SELECTIVE PART			1
58	23204605	ROCKING ROD SQUARE BLOCK B	SELECTIVE PART			1
59	23204704	ROCKING ROD SQUARE BLOCK C	SELECTIVE PART			1
60	22606008	NEEDLE BAR	FOR LH-3120			1
61	22651905	NEEDLE BAR	FOR LH-3120-7			1
62	10148054	NEEDLE CLAMP ASM. 1/4	EXCHANGING GAUGE PART (SEE P.25) (ORDER FOR NEEDLE CLAMP ONLY CANNOT BE ACCEPTED)			1
63	SS8080660TP	SCREW 1/8-44 L=5.5		*		2
64	22811806	OIL SHIELD RUBBER.				1

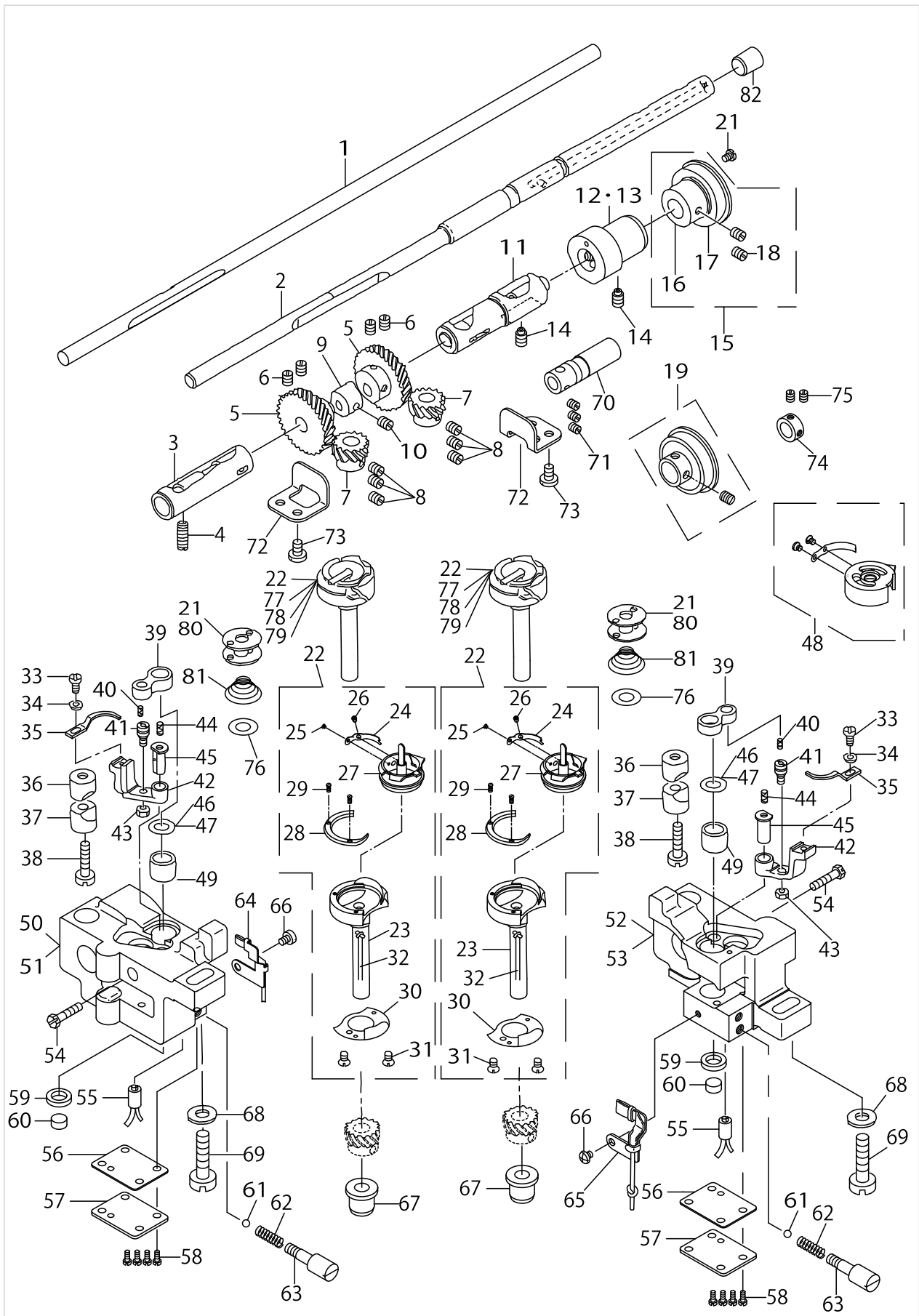
TENSION POST COMPONENTS



TENSION POST COMPONENTS

No.	Parts No.	Parts name	Remarks	Level	Cons	Qty
1	22618458	THREAD TENSION ASM., A	TYPE A			1
2	22618656	THREAD TENSION ASM., F	TYPE F			1
3	10697605	THREAD TAKE-UP SPRING STUD		*		1
4	22618201	TENSION RELEASE PIN, A		*		1
5	22618300	TENSION RELEASE PIN, B		*		1
6	22618102	TENSION RELEASE LEVER		*		1
7	SD0470281SP	HINGE SCREW D=4.7 H=2.8		*		2
8	NS6110310SP	NUT 11/64-40		*		2
9	22618052	TENSION BASE PLATE ASM.		*		1
10	10124204	THREAD TENSION POST, A		*		1
11	10741106	FIRST THREAD TENSION PLATE		*		4
12	11045101	THREAD TENSION SPRING		*		2
13	22618706	THREAD TAKE-UP SPRING A		*		1
14	11072402	THREAD TENSION NUT		*		2
15	10124303	THREAD TENSION POST, B		*		1
16	B3126012000	THREAD TENSION DISK		*		4
17	22617906	THREAD TENSION DISK PRESSER		*		2
18	WP0501016SD	WASHER 5X10.5X1		*		1
19	D3129555D00	THREAD TENSION SPRING	TYPE A	*		2
20	B3121352000	TENSION SPRING	TYPE F	*		2
21	B3112704000	TENSION SPRING BUSHING		*		2
22	11956802	THREAD TENSION KNOB, BLUE		*		2
23	22617807	NUT		*		1
24	22617708	TAKE-UP SPRING GUIDE		*		1
25	B3141527000	PRESSER COLLAR		*		1
26	22618904	SET SCREW		*		1
27	22618904	SET SCREW		*		1
28	SS7090510SP	SCREW 9/64-40 L= 4.6		*		1
29	B3138527000	ADJUSTING PLATE B		*		1
30	22617609	THREAD TENSION POST		*		1
31	22618805	THREAD TAKE-UP SPRING B		*		1
32	B31375270A0	TAKE-UP SPRING GUIDE ASM.		*		2
33	B3139527000	COLLAR		*		1
34	B3142527000	TAKE-UP SPRING GUIDE PLATE		*		1
35	B3143527000	TAKE-UP SPRING GUIDE STUD		*		1
36	10697506	THREAD TENSION BRACKET, A		*		1
37	SS4110615SP	SCREW 11/64-40 L=6		*		1
38	SS4120615SP	SCREW 3/16-28 L=6		*		2

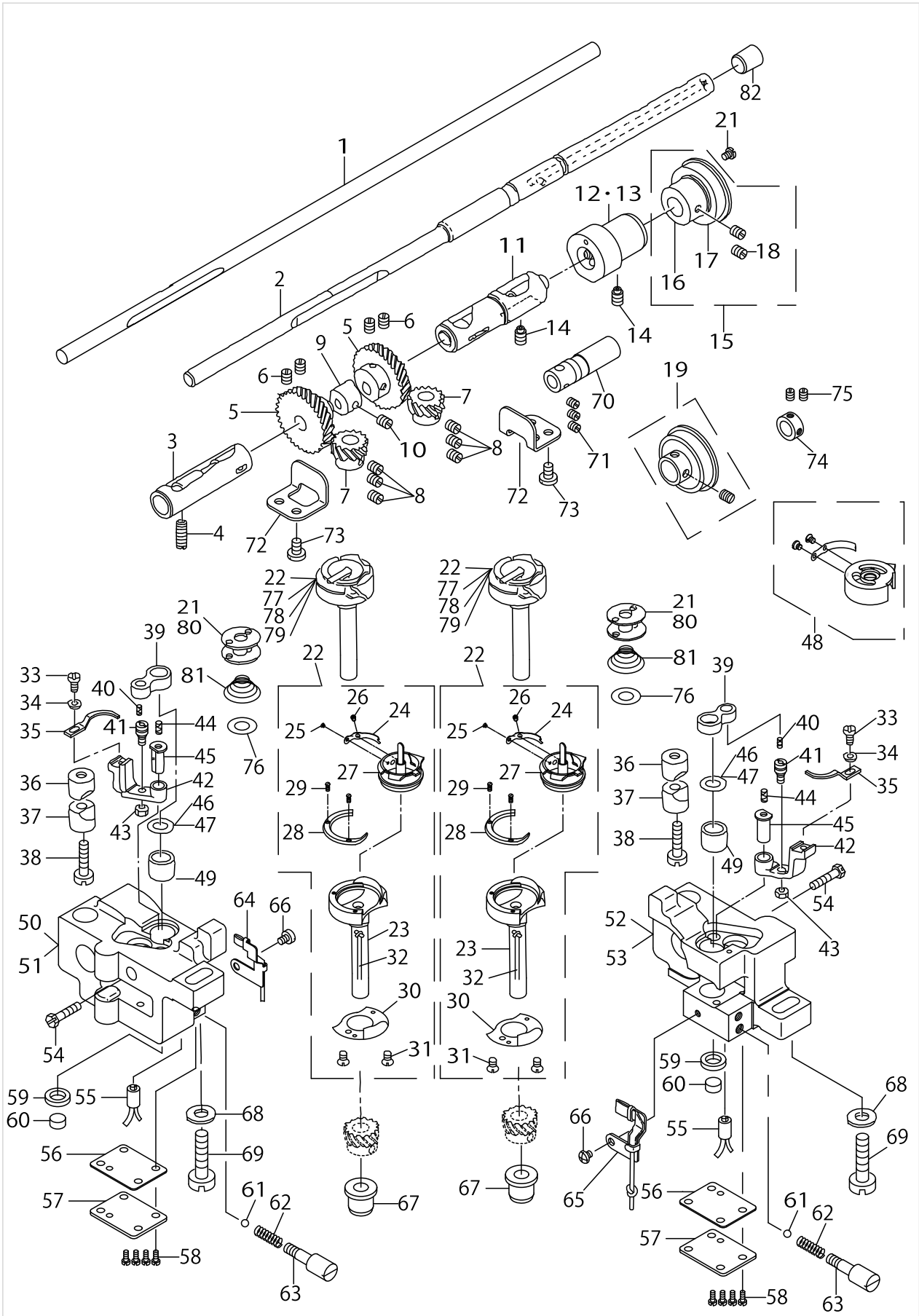
HOOK & HOOK DRIVING SHAFT COMPONENTS



HOOK & HOOK DRIVING SHAFT COMPONENTS

No.	Parts No.	Parts name	Remarks	Level	Cons	Qty
1	22623102	LOWER SHAFT B	FOR LH-3120			1
2	10108512	HOOK DRIVING SHAFT	FOR LH-3120-7			1
3	B18025120A0A	BUSHING ASM., FRONT	SELECTIVE PART			1
4	SS8151150SP	SCREW 15/64-28 L=10.5				1
5	B1816512000	HOOK DRIVING SHAFT, LARGE				2
6	SS8660810TP	SCREW 1/4-40 L=8				4
7	10112001	HOOK SHAFT GEAR, A	SELECTIVE PART			2
8	SS8660530TP	SCREW 1/4-40 L= 4.5				6
9	22609804	FEED DRIVING CAM				1
10	SS8660530TP	SCREW 1/4-40 L= 4.5				1
11	B18035150A0	BUSHING ASM., INTERMEDIATE	SELECTIVE PART			1
12	22611701	PLUNGER BUSHING, B	FOR LH-3120			1
13	10108611	PLUNGER BUSHING	FOR LH-3120-7			1
14	SS8151150SP	SCREW 15/64-28 L=10.5				2
15	22611651	THRUST COLLAR ASM., B	FOR LH-3120			1
16	22611602	THRUST COLLAR, B		*		1
17	SB120000200	BEARING 20X42		*		1
18	SS8661030SP	SCREW 1/4-40 L=10		*		2
19	10611457	THRUST COLLAR ASM.	FOR LH-3120-7			1
20	SS7120760SP	SCREW 3/16-28 L= 7.0				2
21	B9117051000	BOBBIN	FOR LH-3120			2
22	22612055	HOOK ASM.	SELECTIVE PART			2
23	22612006	HOOK		*		2
24	22612402	BOBBIN CASE TENSION SPRING		*		2
25	10110500	TENSION SPRING INSTALLING SCRE		*		2
26	10110609	TENSION ADJUSTING SCREW		*		2
27	22612105	SWING HOOK		*		2
28	22612204	HOOK GIB		*		2
29	10112803	SCREW		*		4
30	22612303	NEEDLE POSITIONER		*		2
31	10112902	SCREW		*		4
32	22612501	LILYARN		*		2
33	SS6090810SP	SCREW 9/64-40 L= 7.5				2
34	WP0371016SD	WASHER 3.7X8X1				2
35	22613509	BOBBIN CASE OPENING LEVER				2
36	10109908	SADDLE INSTALLING BLOCK, UPPER				2
37	10112407	SADDLE INSTALLING BLOCK, LOWER				2
38	SS6153040SP	SCREW 15/64-28 L=30				2
39	B1820563000	BOBBIN CASE OPENING LEVER LINK				2
40	CQ202000000	OIL WICK				0.03
41	B1821051000	CRANK SCREW STUD				2
42	B1822051000	OPENING LEVER CRANK				2
43	NS6110420SP	NUT 11/64-40				2
44	CQ202000000	OIL WICK				0.05
45	B1823051000	OPENING LEVER CRANK PIN				2
46	22614101	THRUST WASHER, B	SELECTIVE PART FOR LH-3120			2

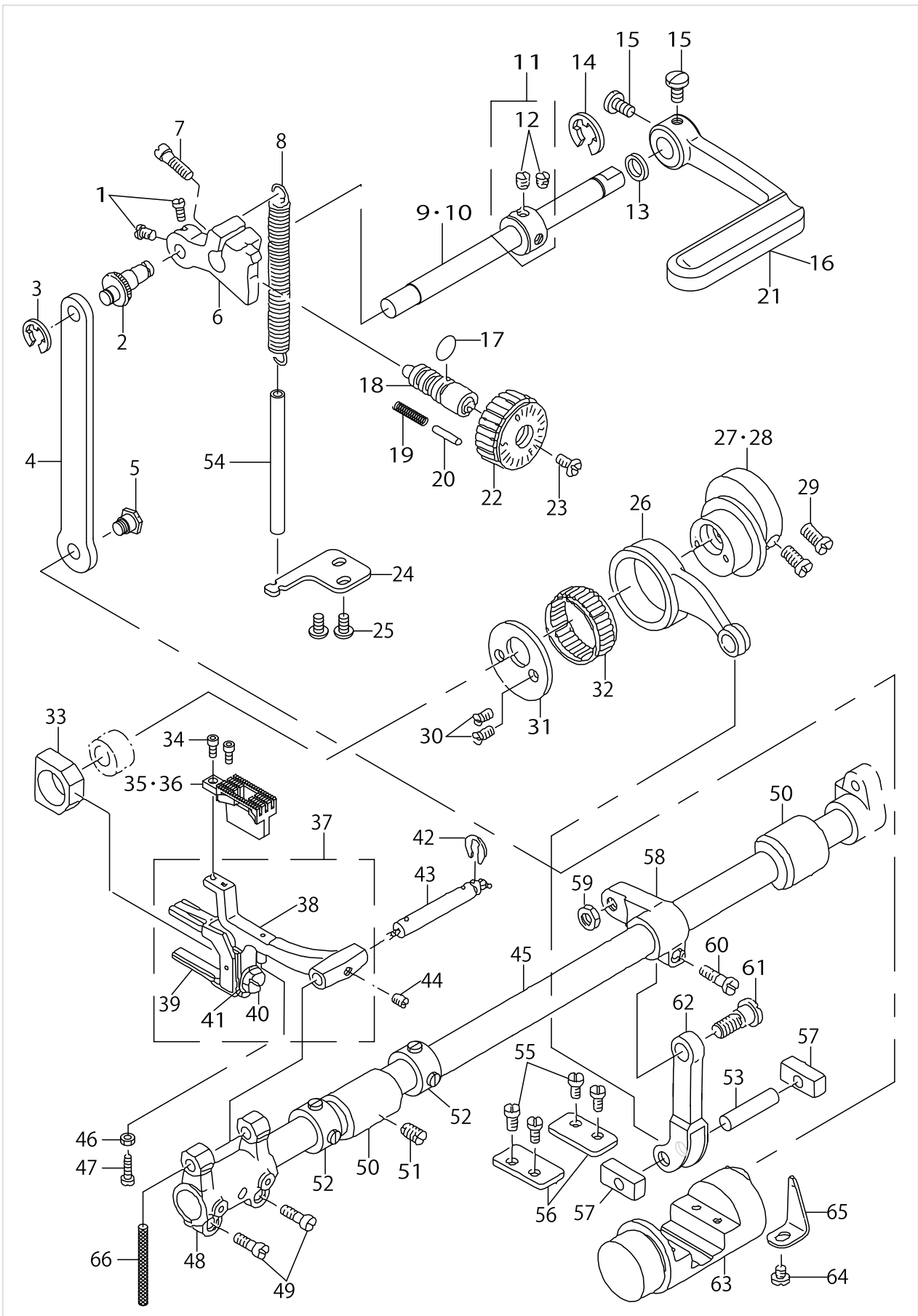
HOOK & HOOK DRIVING SHAFT COMPONENTS



HOOK & HOOK DRIVING SHAFT COMPONENTS

No.	Parts No.	Parts name	Remarks	Level	Cons	Qty
47	10111201	THRUST WASHER, F	SELECTIVE PART FOR LH-3120-7			2
48	22612659	BOBBIN CASE ASM.				2
49	22613905	HOOK SHAFT UPPER METAL				2
50	22613103	HOOK SHAFT SADDLE, LEFT	FOR LH-3120			1
51	22653604	HOOK SHAFT SADDLE, LEFT	FOR LH-3120-7			1
52	22613004	HOOK SHAFT SADDLE, RIGHT	FOR LH-3120			1
53	22653505	HOOK SHAFT SADDLE, RIGHT	FOR LH-3120-7			1
54	SS7111810SP	SCREW 11/64-40 L=18				2
55	22615454	RUBBER BUSHING ASM.				2
56	22615108	GASKET				2
57	22615009	HOOK SHAFT SADDLE COVER				2
58	SS4110815SP	SCREW 11/64-40 L=8				8
59	22615306	FELT HOLDER				2
60	22615207	FELT				2
61	22615702	OIL ADJUSTING BALL				2
62	D3171415B0H	PRESSER SPRING				2
63	22615801	OIL ADJUSTING SCREW				2
64	22615959	OIL WICK HOLDER ASM. LEFT				1
65	22616254	OIL WICK HOLDER ASM. RIGHT				1
66	SS4110515SP	SCREW 11/64-40 L=5				2
67	22613400	HOOK DRIVING SHAFT BUSHING				2
68	WP0850002SP	WASHER 8.5X18X1.6				2
69	SM6082502TP	SCREW M8 L=25				2
70	22611909	OIL PUMP SHAFT	FOR LH-3120			1
71	SS8660530TP	SCREW 1/4-40 L= 4.5	FOR LH-3120			3
72	22613608	GEAR GUIDE				2
73	SS7110710SP	SCREW 11/64-40 L=7				4
74	CS1471012SH	THRUST COLLAR D=14.72 W=10	FOR LH-3120-7			1
75	SS8660530TP	SCREW 1/4-40 L= 4.5	FOR LH-3120-7			2
76	22653802	SHEET	FOR LH-3120-7			2
77	22612758	HOOK ASM.	SELECTIVE PART			2
78	22653158	RATCHET HOOK ASM.	SELECTIVE PART			2
79	22653059	CAP HOOK ASM.	SELECTIVE PART			2
80	10210805	HARD ALUMITE BOBBIN	FOR LH-3120-7			2
81	10111508	SPRING	FOR LH-3120-7			2
82	TA0500601M0	PLUG D=5X5.4 L=6	FOR LH-3120-7			1

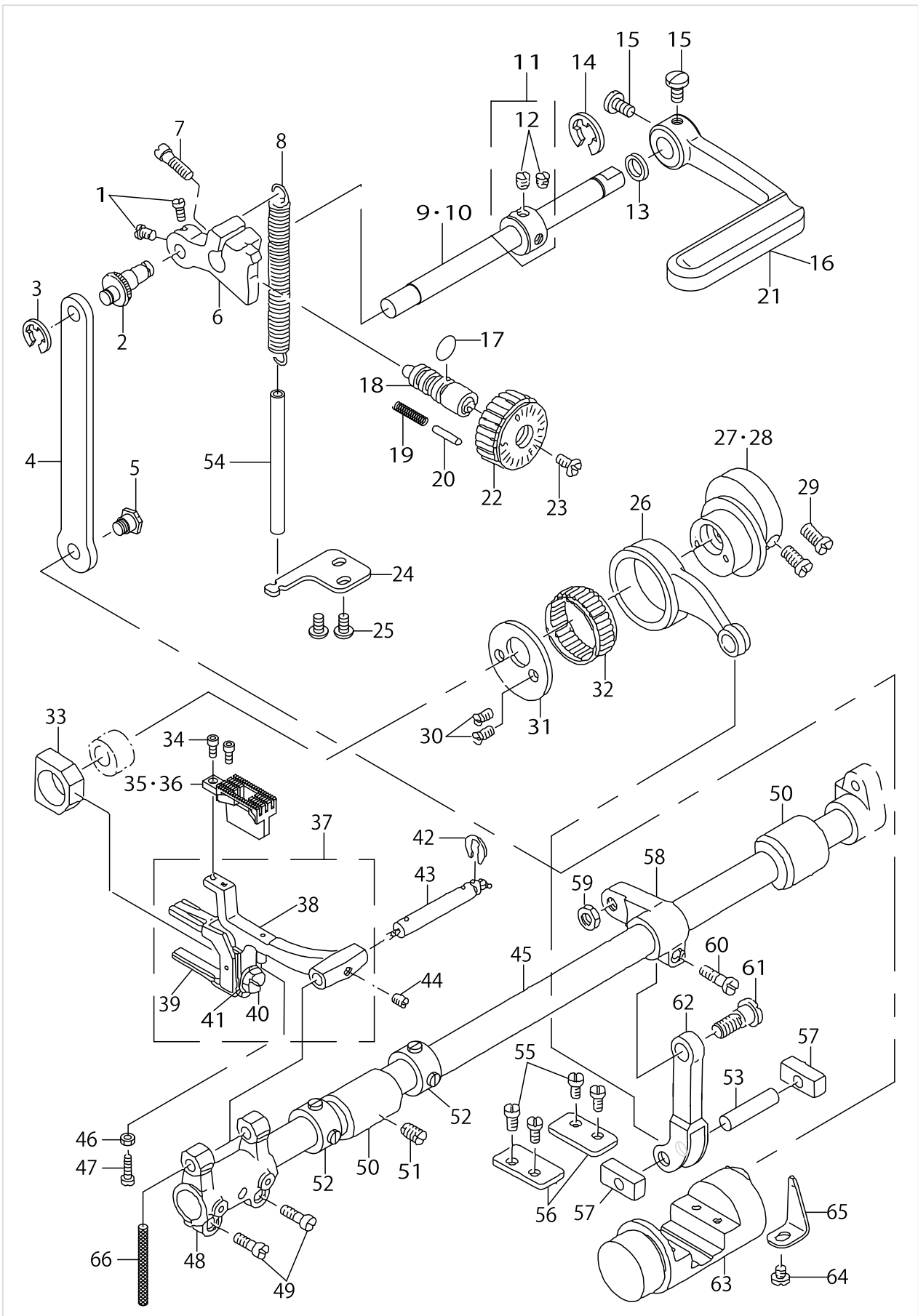
FEED MECHANISM COMPONENTS



FEED MECHANISM COMPONENTS

No.	Parts No.	Parts name	Remarks	Level	Cons	Qty
1	SS6090670TP	SCREW 9/64-40 L=6				2
2	22610109	ROD PIN				1
3	RE0500000K0	E-RING				1
4	22610208	FEED REGULATOR CONNECTING ROD				1
5	SD0800422CP	HINGE SCREW D= 8 H= 4.2				1
6	22610000	FEED REGULATOR				1
7	SS7121410SP	SCREW 3/16-28 L=14				1
8	22610307	FEED REGULATOR SPRING				1
9	22610604	REVERSE FEED SHAFT				1
10	22652101	REVERSE FEED SHAFT	FOR LH-3120-7-OB, -WB			1
11	CS102121ASH	THRUST COLLAR ASM. D=10.2 W=12				1
12	SS8660610TP	SCREW 1/4-40 L=6		*		2
13	10108009	OIL SEAL				1
14	RE0900000K0	E-RING 9				1
15	SS7120910SP	SCREW 3/16-28 L=9				2
16	22610505	REVERSE FEED CONTROL LEVER				1
17	RO092270200	RUBBER RING				1
18	11009909	FEED REGULATOR SCREW				1
19	22912109	FEED REGULATOR PIN SPRING				1
20	11052701	PIN				1
21	22610901	REVERSE FEED CONTROL LEVER, F	TYPE F			1
22	11072006	FEED DIAL				1
23	SS6121860SP	SCREW 3/16-28 L=18				1
24	22610406	SPRING BRACKET				1
25	SS4110815SP	SCREW 11/64-40 L=8				2
26	22609200	FEED ROCK SHAFT CONNECTING ROD				1
27	22609002	FEED DRIVE ECCENTRIC CAM, B	FOR LH-3120			1
28	22652002	FEED DRIVE ECCENTRIC CAM	FOR LH-3120-7			1
29	SS6661110SP	SCREW 1/4-40 L=11				2
30	SS7110710SP	SCREW 11/64-40 L=7				2
31	22609101	CAM COVER				1
32	B1636581B00	NEEDLE BEARING B				1
33	B1610512000	FEED DRIVING SLIDE BLOCK				1
34	SS6580752TP	SCREW 1/8-40 L=7				2
35	22847602	FEED DOG, (1/4).	EXCHANGING GAUGE PART FOR LH-3120(SEE P.25)			1
36	22855605	THREAD CUTTING FEED DOG, 1/4.	EXCHANGING GAUGE PART FOR LH-3120-7(SEE P.25)			1
37	22609754	FEED BAR ASM.				1
38	22609705	FEED BAR		*		1
39	10107902	FEED BAR FORK		*		1
40	SS9151440CP	SCREW 15/64-28 L=14		*		1
41	WP0621016SD	WASHER 6.2X13X1		*		1
42	RE0500711KP	SNAP RING 5				1
43	B1604012000A	FEED BAR SHAFT				1
44	SM8050502TP	SCREW M5 L=5				1
45	22609408	FEED ROCK SHAFT				1
46	NS6080210SP	NUT 1/8-44				1

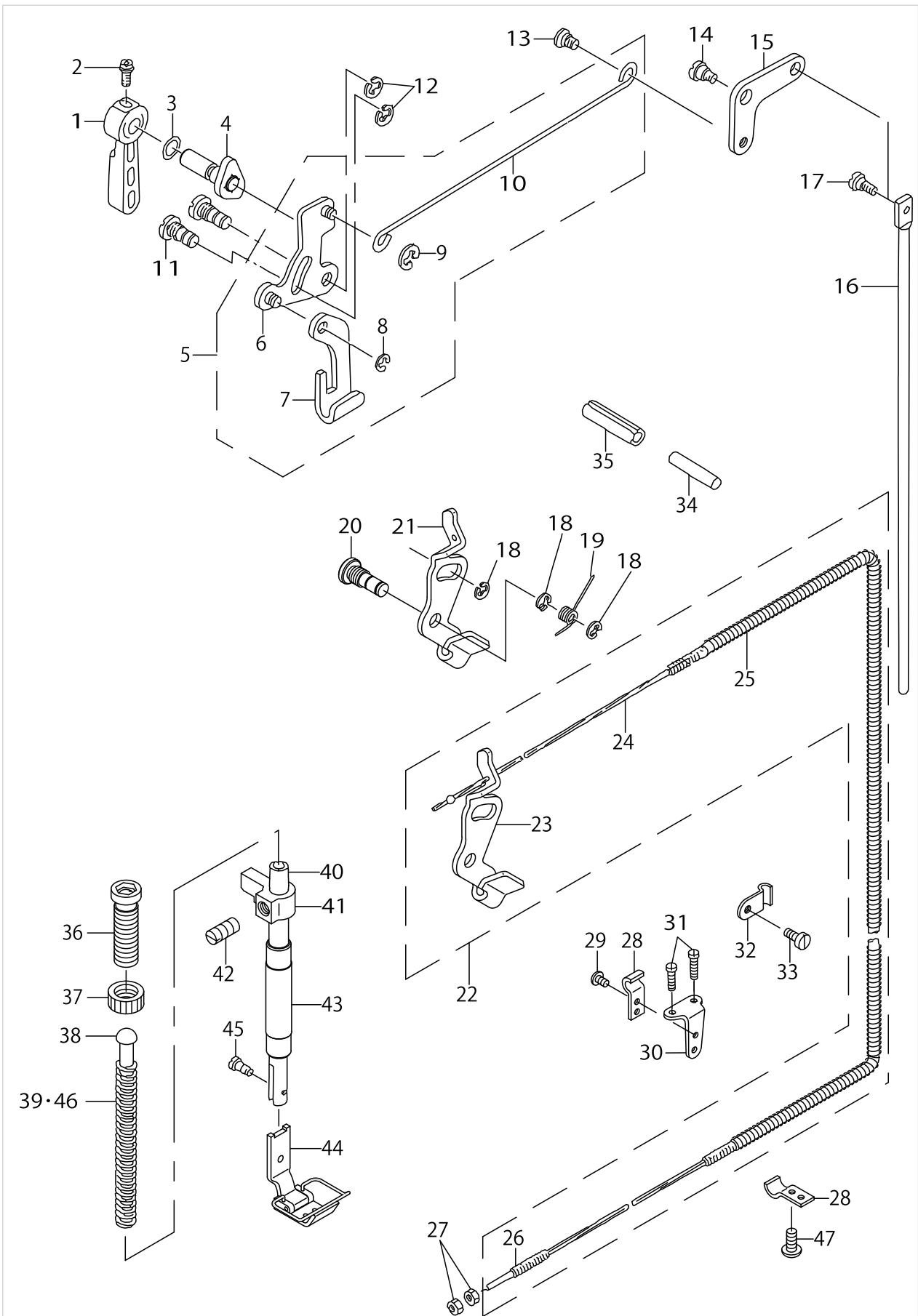
FEED MECHANISM COMPONENTS



FEED MECHANISM COMPONENTS

No.	Parts No.	Parts name	Remarks	Level	Cons	Qty
47	SS6081810SP	SCREW 1/8-44 L=18.0				1
48	B1603512000	FEED ROCKER				1
49	SS7111310TP	SCREW 11/64-40 L=12.8				2
50	10106102	BUSHING				2
51	SS8151150SP	SCREW 15/64-28 L=10.5				1
52	22904155	MAIN SHAFT THRUST COLLAR ASM.				2
53	B1653470000	PIN				1
54	BT0500300EA	OIL TUBE				0.09
55	SS7110910SP	SCREW 11/64-40 L=8.5				4
56	10315505	PLATE				2
57	22609606	FEED DRIVING ROCKER BLOCK, S				2
58	22609309	FEED ROCKER SHAFT CRANK				1
59	NS6680320SP	NUT 9/32-28				1
60	SS6121610TP	SCREW 3/16-28 L=15.5				1
61	SD0900701TP	HINGE SCREW D= 9 H= 7				1
62	10315208	FEED ROCK CONNECTING ROD				1
63	10315455	FEED DRIVING ROCKER ASM.				1
64	SS7110510SP	SCREW 11/64-40 L=5				1
65	B1633470000	STOPPER PLATE				1
66	CQ252000000	OIL WICK				0.26

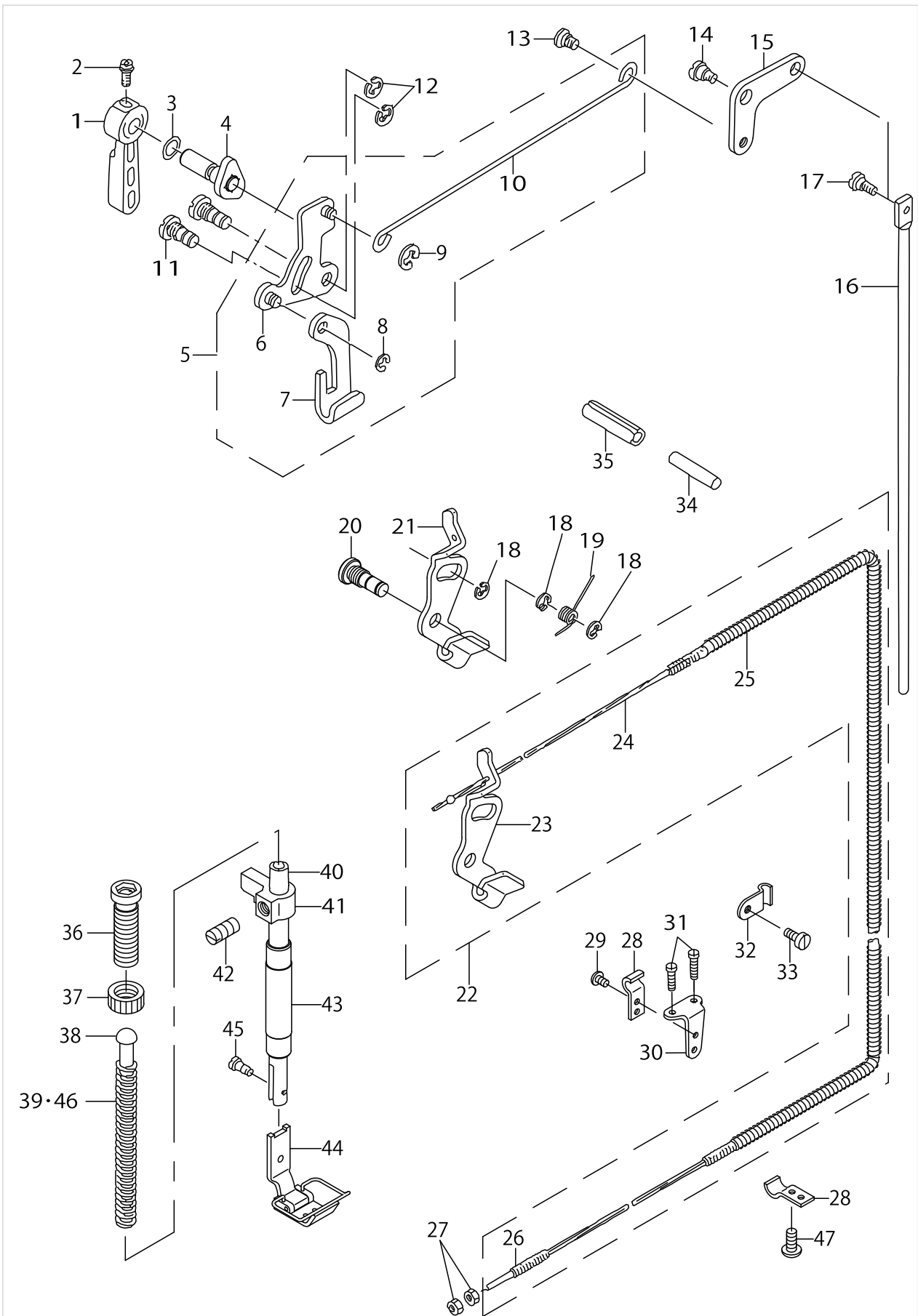
PRESSER BAR & TENSION RELEASE COMPONENTS



PRESSER BAR & TENSION RELEASE COMPONENTS

No.	Parts No.	Parts name	Remarks	Level	Cons	Qty
1	11071800	HAND LIFTER				1
2	B1521555000	SCREW				1
3	RO037180100	RUBBER RING				1
4	22908552	HAND LIFTER CAM ASM.				1
5	22608152	LIFTING LEVER ROD ASM.				1
6	11006350	HAND LIFTER LINK		*		1
7	11006202	LIFTING LEVER		*		1
8	11007309	E-RING		*		1
9	RE0500000K0	E-RING		*		1
10	22608103	LIFTING LEVER CONNECTING ROD		*		1
11	11006509	LINK SHAFT				2
12	RE0500000K0	E-RING				2
13	11007101	HINGE SCREW				1
14	SD0720332SP	HINGE SCREW D= 7.24 H= 3.3				1
15	22908800	KNEE LIFTER LINK				1
16	10125201	CONNECTING ROD, VERTICAL				1
17	SD0600322SD	HINGE SCREW D=6 H=3.2				1
18	RE0500000K0	E-RING				3
19	11018207	TENSION RELEASE RETURN SPRING				1
20	11018108	TENSION RELEASE SHAFT				1
21	22617104	TENSION RELEASE PLATE	FOR LH-3120			1
22	22654958	TENSION RELEASE PLATE ASM.	FOR LH-3120-7			1
23	22617104	TENSION RELEASE PLATE		*		1
24	11394509	WIRE CABLE		*		1
25	22654909	WIRE TUBE		*		1
26	D3159555B00	SET SCREW		*		1
27	NS6620310SP	NUT 3/16-32	FOR LH-3120-7			2
28	D3164555B00	OUTER PRESSER PLATE	FOR LH-3120-7			2
29	SS4110715SP	SCREW 11/64-40 L=7	FOR LH-3120-7			1
30	D3163555B00A	FLEXIBLE TUBE SUPPORT PLATE	FOR LH-3120-7			1
31	SS4111215SP	SCREW 11/64-40 L=12	FOR LH-3120-7			2
32	22620801	PIPE HOLDER	FOR LH-3120-7			1
33	SS4111015SP	SCREW 11/64-40 L=10	FOR LH-3120-7			1
34	22617005	PUSH BAR				1
35	PS0600502KP	SPRING PIN				1
36	11071602	PRESSER SPRING REGULATOR				1
37	11071701	NUT				1
38	22907703	PRESSER GUIDE BAR				1
39	B1505227T00A	PRESSER SPRING T				1
40	B1501581000	PRESSER BAR				1
41	22608004	NEEDLE BAR GUIDE BRACKET				1
42	SS8660810TP	SCREW 1/4-40 L=8				1
43	22907109	PRESSER BAR BUSHING, LOWER				1
44	10392256	PRESSER FOOT ASM. 1/4	EXCHANGING GAUGE PART (SEE P.25)			1
45	SS7090910TP	SCREW 9/64-40 L= 8.5				1
46	22608400	SPRING, F	FOR STITCH SPEC.F			1

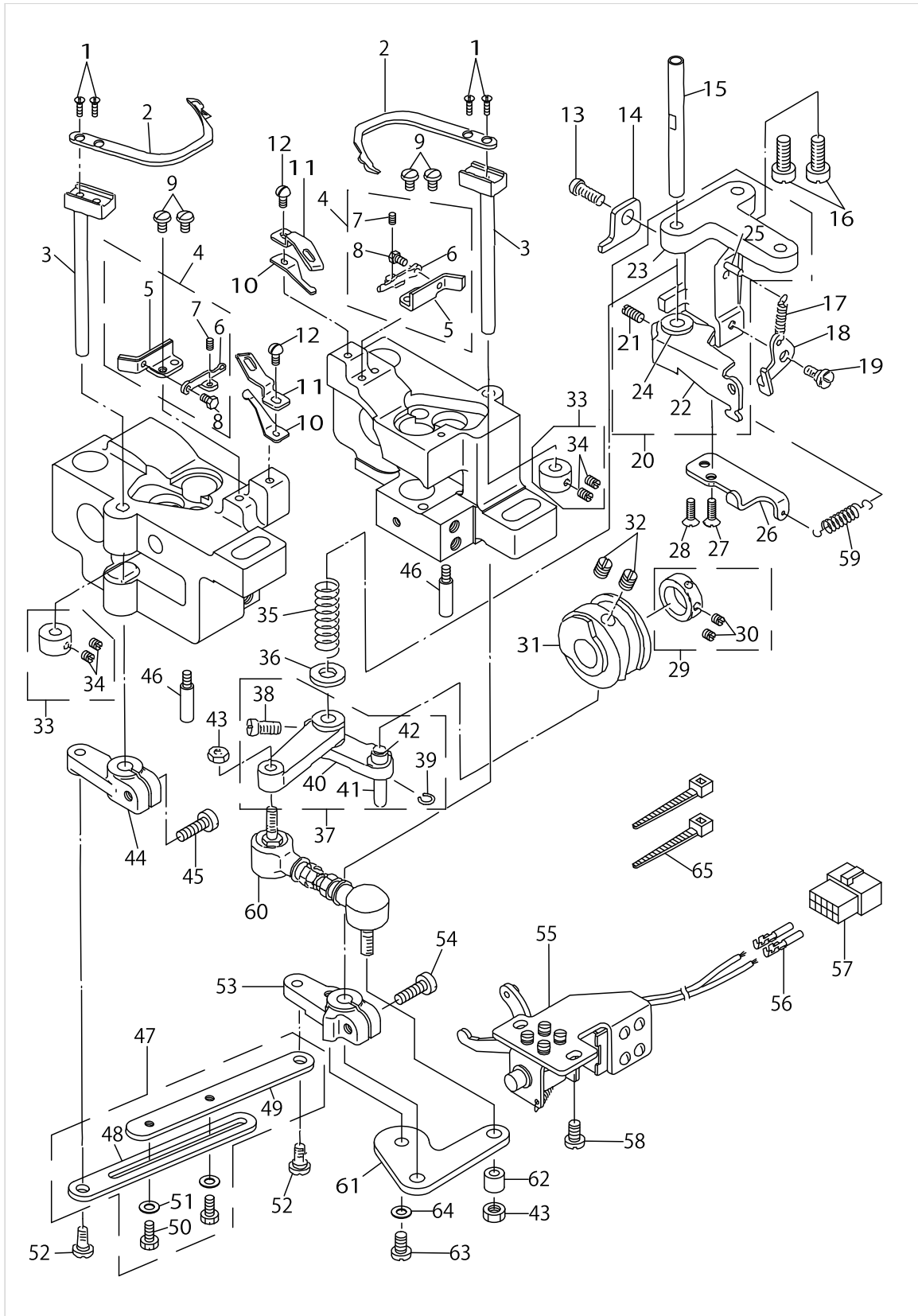
PRESSER BAR & TENSION RELEASE COMPONENTS



PRESSER BAR & TENSION RELEASE COMPONENTS

No.	Parts No.	Parts name	Remarks	Level	Cons	Qty
47	SS4110515SP	SCREW 11/64-40 L=5				1

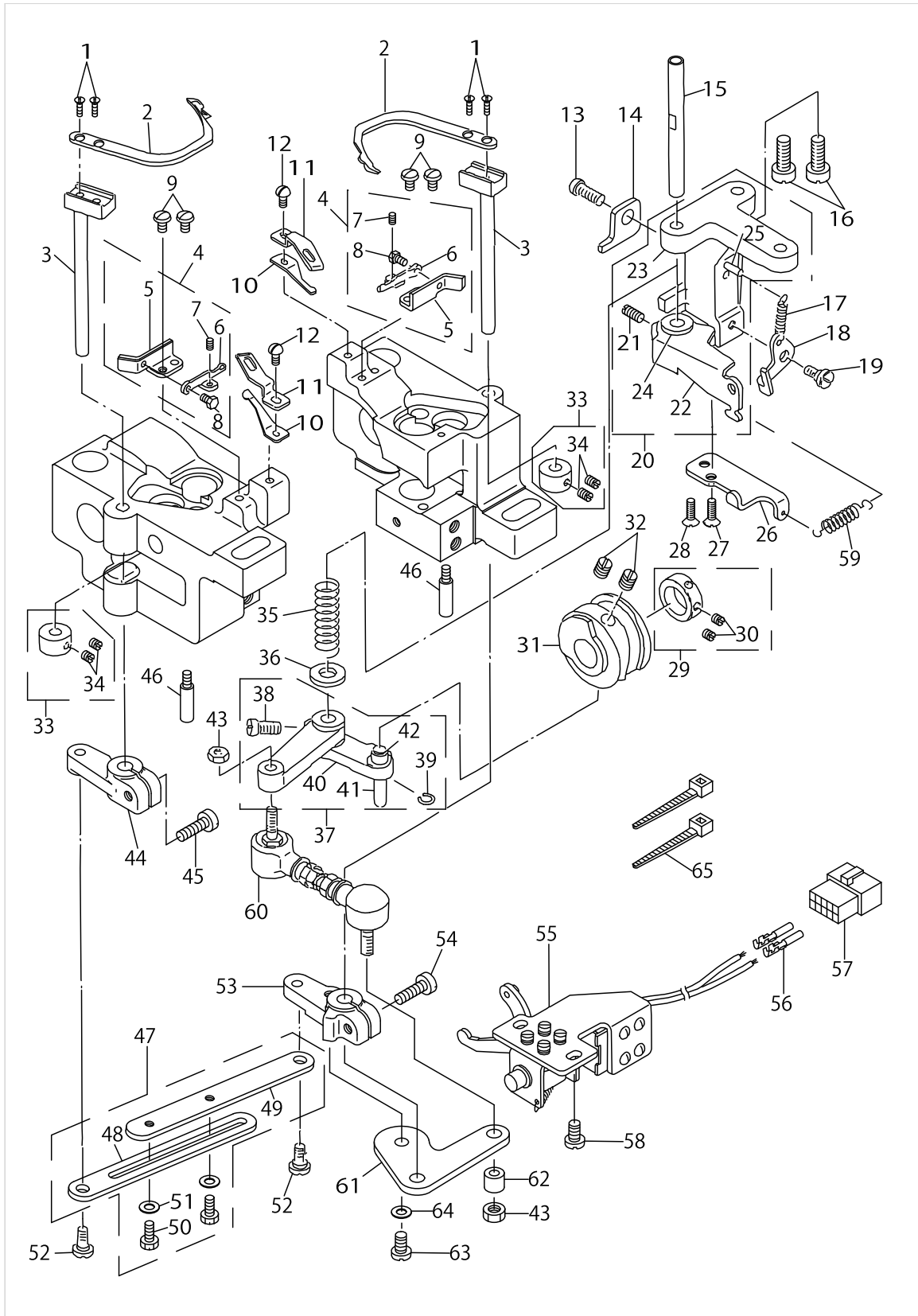
THREAD TRIMMER MECHANISM COMPONENTS (FOR LH-3120-7)



THREAD TRIMMER MECHANISM COMPONENTS (FOR LH-3120-7)

No.	Parts No.	Parts name	Remarks	Level	Cons	Qty
1	SS2080810SP	SCREW 1/8-44 L=7.5				4
2	10211605	MOVING KNIFE				2
3	10116051	MOVING KNIFE SHAFT ASM.				2
4	22654255	MOVING KNIFE SUPPORT ASM.				2
5	22654206	MOVING KNIFE SUPPORT PLATE		*		2
6	10211407	THREAD PRESSER ADJUSTING PLATE		*		2
7	SS8080610SP	SCREW 1/8-44 L=5.5		*		2
8	SS9080410SP	SCREW 1/8-44 L=4.3		*		2
9	SS5090610SP	SCREW 9/64-40 L=6				4
10	22655401	THREAD PRESSER				2
11	22655302	COUNTER KNIFE				2
12	SS7090710SP	SCREW 9/64-40 L= 6.8				2
13	SS6121212TP	SCREW 3/16-28 L=12.0				1
14	22654800	STOPPER, A				1
15	10116804	SHAFT				1
16	SS7151610SP	SCREW 15/64-28 L=16				2
17	B3418180000	SPRING				1
18	10117208	TENSION DISC RELEASE PLATE				1
19	SD0600271SP	HINGE SCREW D= 6 H= 2.7				1
20	22655153	LINK INSTALLING BASE ASM.				1
21	SS8111010TP	SCREW 11/64-40 L=9.5		*		1
22	22655104	TENSION DISC RELEASE ARM		*		1
23	10116606	LINK INSTALLING BASE		*		1
24	10117109	BUSHING		*		1
25	PS0300201KP	SPRING PIN 3.0X20		*		1
26	22654701	STOPPER PLATE				1
27	SS2110920TP	SCREW 11/64-40 L=8.5				1
28	SS2110930SP	SCREW 11/64-40 L=8.7				1
29	CS1470710SH	THRUST COLLAR ASM. D=14.72 W=7				1
30	SS8110410TP	SCREW 11/64-40 L= 3.5		*		2
31	22654107	THREAD TRIMMER CAM				1
32	SS8660810TP	SCREW 1/4-40 L=8				2
33	CS070081BSH	THRUST COLLAR ASM. D=7 W=8				2
34	SS8110510SP	SCREW 11/64-40 L=5		*		4
35	10116903	SPRING				1
36	WP0753016SZ	WASHER 7.5X16.0X3.0				1
37	10116754	CAM INSTALLING LINK ASM.				1
38	SS6151220SP	SCREW 15/64-28 L=11.5		*		1
39	D2430555B00	SNAP RING		*		1
40	10116705	CAM INSTALLING LINK		*		1
41	D2428555B00A	CAM ROLLER SHAFT		*		1
42	D2427555B00B	CAM ROLLER		*		1
43	NM6050001SP	NUT M5				2
44	22654404	DRIVING ARM, LEFT				1
45	SS6121610TP	SCREW 3/16-28 L=15.5				1
46	B1515051000	HAND LIFTER PIN				2
47	22654552	CONNECTING LINK ASM.				1

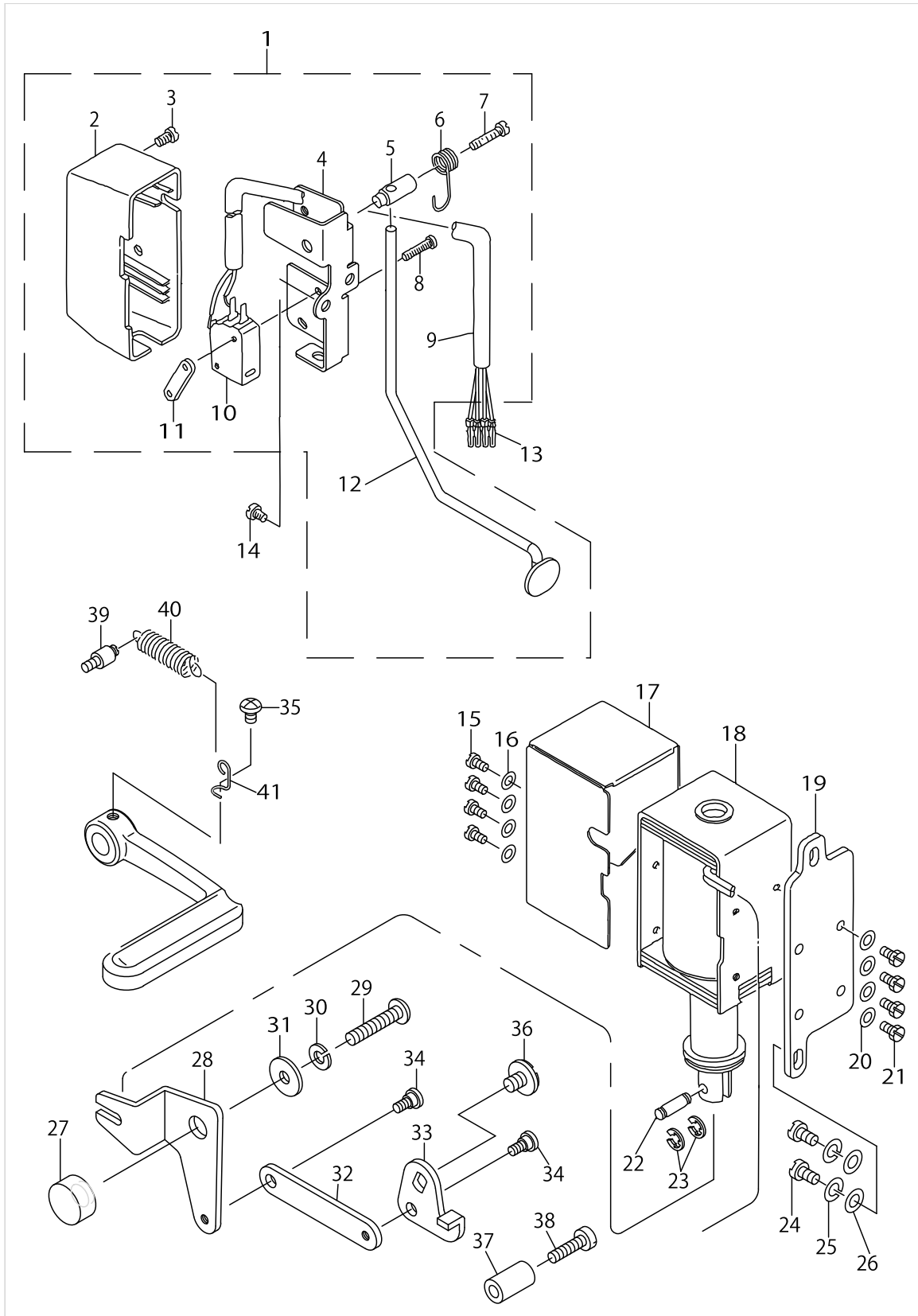
THREAD TRIMMER MECHANISM COMPONENTS (FOR LH-3120-7)



THREAD TRIMMER MECHANISM COMPONENTS (FOR LH-3120-7)

No.	Parts No.	Parts name	Remarks	Level	Cons	Qty
48	22654503	CONNECTING LINK, A		*		1
49	22654602	CONNECTING LINK, B		*		1
50	SS9111010SP	SCREW 11/64-40 L=9.5		*		2
51	WP0501016SD	WASHER 5X10.5X1		*		2
52	SD0650305TP	HINGE SCREW D= 6.5 H= 3				2
53	22654305	DRIVING ARM, RIGHT				1
54	SS6121610TP	SCREW 3/16-28 L=15.5				1
55	10117851	SOLENOID ASM.				1
56	HK03464000B	PIN CONTACT				2
57	HK034610140	HOUSING 14P				1
58	SS6151040SP	SCREW 15/64-28 L=10				2
59	B3041980000	SPRING				1
60	22655005	JOINT ROD				1
61	22654008	DRIVING ARM PLATE				1
62	B3417051000	REAR LIFTING BAR ROLLER				1
63	SS6120940SP	SCREW 3/16-28 L=9				1
64	WP0501016SD	WASHER 5X10.5X1				1
65	EA9500B0100	CABLE BAND				2

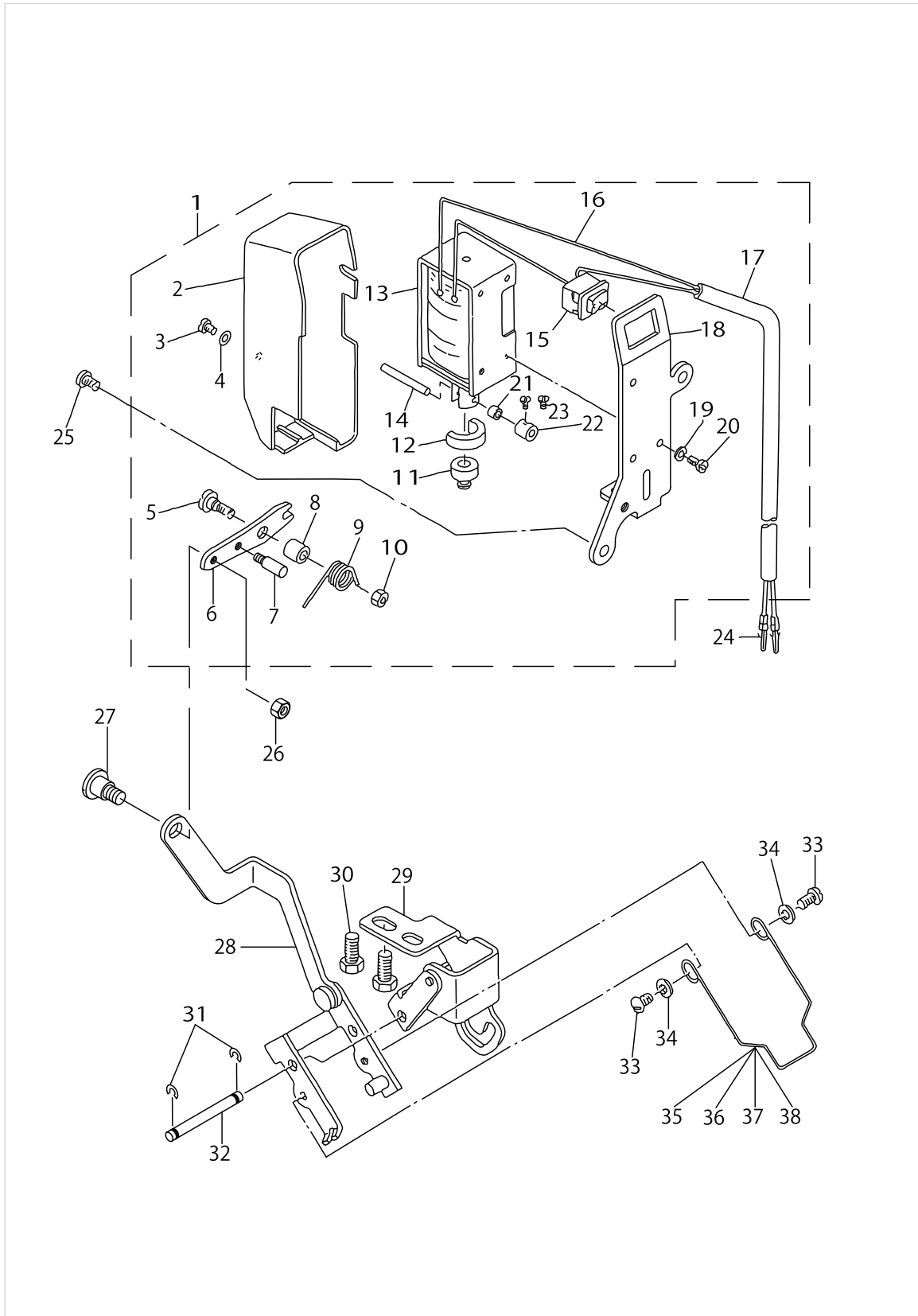
AUTOMATIC REVERSE FEED MECHANISM COMPONENTS (FOR LH-3120-7)



AUTOMATIC REVERSE FEED MECHANISM COMPONENTS (FOR LH-3120-7)

No.	Parts No.	Parts name	Remarks	Level	Cons	Qty
1	22656557	REVERSE FEED SWITCH ASM.				1
2	11072501	REVERSE FEED SWITCH COVER		*		1
3	SM4040655SP	SCREW M4 L=6		*		1
4	22656508	REVERSE FEED SWITCH BASE		*		1
5	11102100	REVERSE FEED SWITCH SHAFT		*		1
6	11102209	REVERSE FEED SWITCH SPRING		*		1
7	SM4041655SP	SCREW M4 L=16		*		1
8	SM4031501SC	SCREW M3 L=15		*		2
9	HW500070000	2-CORE CABTYRE CORD		*		1.4
10	HA001900000	MICROSWITCH		*		1
11	11102308	MICRO SWITCH PLATE		*		1
12	22656607	REVERSE FEED SWITCH LEVER		*		1
13	HK03464000B	PIN CONTACT				4
14	SS4120615SP	SCREW 3/16-28 L=6				2
15	SS7110710SP	SCREW 11/64-40 L=7				4
16	WP0501016SD	WASHER 5X10.5X1				4
17	10161305	SOLENOID COVER				1
18	10119105	REVERSE FEED SOLENOID, AC24V				1
19	10119204	SOLENOID INSTALLING PLATE				1
20	WP0501016SD	WASHER 5X10.5X1				4
21	SS9111010SP	SCREW 11/64-40 L=9.5				4
22	D2464555B00	LINK DRIVING MAGNET PIN				1
23	RE0400000K0	E-RING 4				2
24	SS7151210SP	SCREW 15/64-28 L=12				2
25	WS0631510KP	SPRING WASHER				2
26	WP0621016SD	WASHER 6.2X13X1				2
27	22656409	LINK FULCULUM				1
28	22656300	REVERSE FEED LINK, L				1
29	SS4153015SP	PAN-SCREW 15/64-28 L=30				1
30	WS0610002KP	SPRING WASHER				1
31	WP0612056SD	WASHER 6.1X18.5X2				1
32	22656201	REVERSE FEED LINK, (2)				1
33	22656102	REVERSE FEED LINK, (1)				1
34	SD0640321SP	HINGE SCREW D= 6.35 H= 3.2				2
35	SS4120615SP	SCREW 3/16-28 L=6				1
36	SS7120760SP	SCREW 3/16-28 L= 7.0				1
37	11100500	REVERSE FEED LEVER STOPPER				1
38	SS6121840SP	SCREW 3/16-28 L=18				1
39	B1506352000	TENSION SPRING RACK B				1
40	13515606	SPRING				1
41	22656003	SPRING SUSPENSION				1

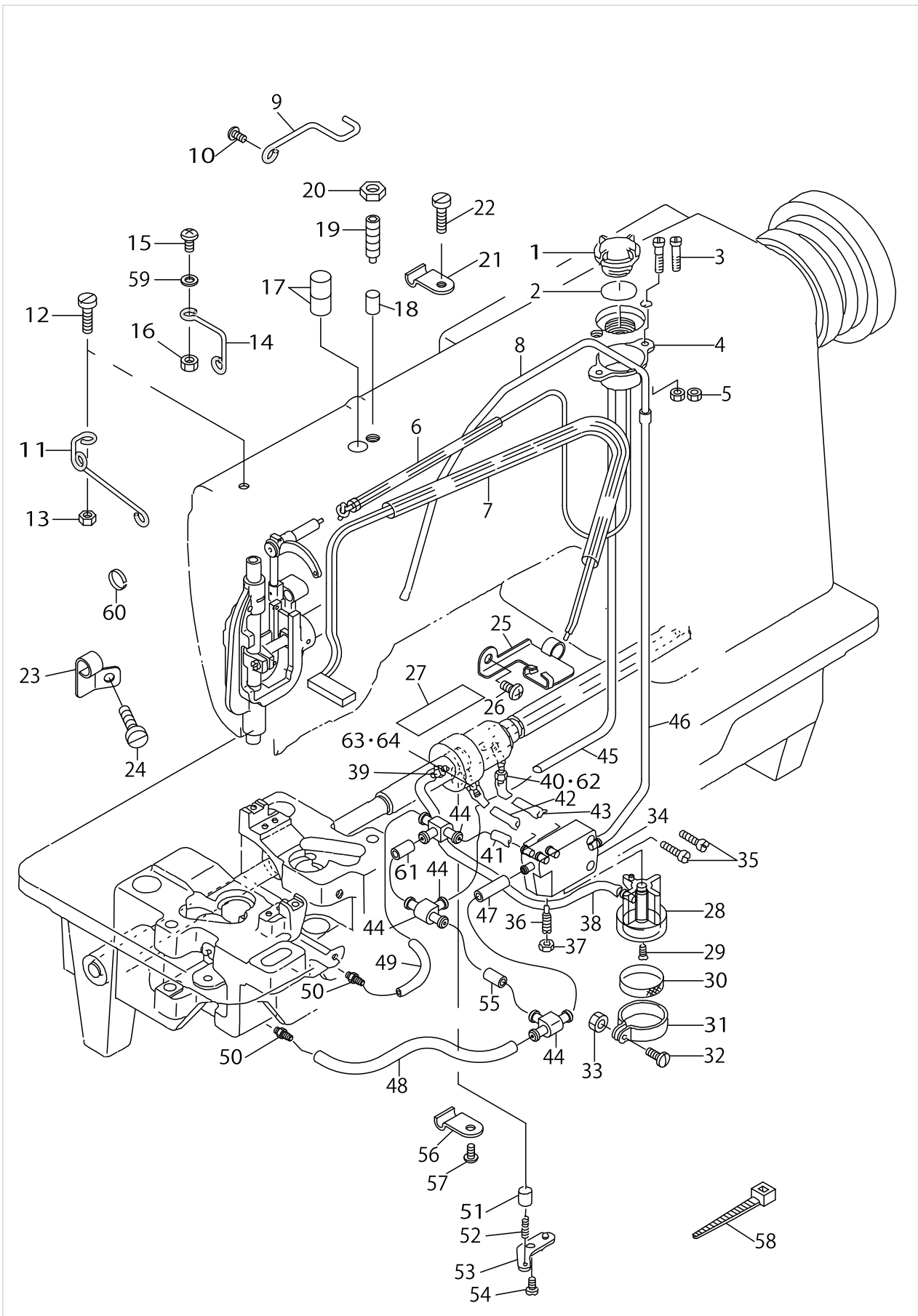
WIPER MECHANISM COMPONENTS (FOR LH-3120-7)



WIPER MECHANISM COMPONENTS (FOR LH-3120-7)

No.	Parts No.	Parts name	Remarks	Level	Cons	Qty
1	22657159	WIPER SOLENOID ASM.				1
2	11072709	WIPER COVER		*		1
3	SM4030601SN	SCREW M3 X 6		*		1
4	WP0320501SC	WASHER M3		*		1
5	SD0650321TP	HINGE SCREW D=6.5 H=3.2		*		1
6	22657209	WIPER LINK, A		*		1
7	B2024771000	SUSPENSION SCREW		*		1
8	11110707	WIPER HINGE SCREW COLLAR		*		1
9	22657308	WIPER SPRING		*		1
10	NS6110310SP	NUT 11/64-40		*		1
11	11110400	WIPER RUBBER A		*		1
12	11110509	WIPER RUBBER B		*		1
13	11110301	WIPER SOLENOID		*		1
14	11111705	WIPER SOLENOID PIN		*		1
15	HA000590000	POWER SWITCH		*		1
16	HW200390000	ELECTRIC WIRE		*		0.1
17	HW500070000	2-CORE CABTYRE CORD		*		1.4
18	22657100	WIPER SOLENOID BASE		*		1
19	WS0310002KN	SPRING WASHER M3		*		3
20	SM4030601SN	SCREW M3 X 6		*		3
21	11111804	WIPER LINK COLLAR		*		1
22	CS0300711SP	THRUST COLLAR		*		1
23	SS6080320SP	SCREW 1/8-44 L= 2.5		*		2
24	HK03464000B	PIN CONTACT				2
25	SS4120615SP	SCREW 3/16-28 L=6				1
26	NS6090310SP	NUT 9/64-40				1
27	SD0500301SP	HINGE SCREW D= 5 H= 3				1
28	22657050	WIPER LINK ASM., 2				1
29	10208551	WIPER BASE ASM.				1
30	SS9111010SP	SCREW 11/64-40 L=9.5				2
31	RE0320000K0	E-RING 3.2				2
32	10208700	WIPER LINK SHAFT				1
33	SS3090520SP	SCREW 9/64-40 L=4.5				2
34	WP0371016SD	WASHER 3.7X8X1				2
35	10209203	WIPER 3/32"-3/8	SELECTIVE PART (SEE P.27)			1
36	10209500	WIPER	SELECTIVE PART (SEE P.27)			1
37	10209807	WIPER	SELECTIVE PART (SEE P.27)			1
38	10209906	WIPER	SELECTIVE PART (SEE P.27)			1

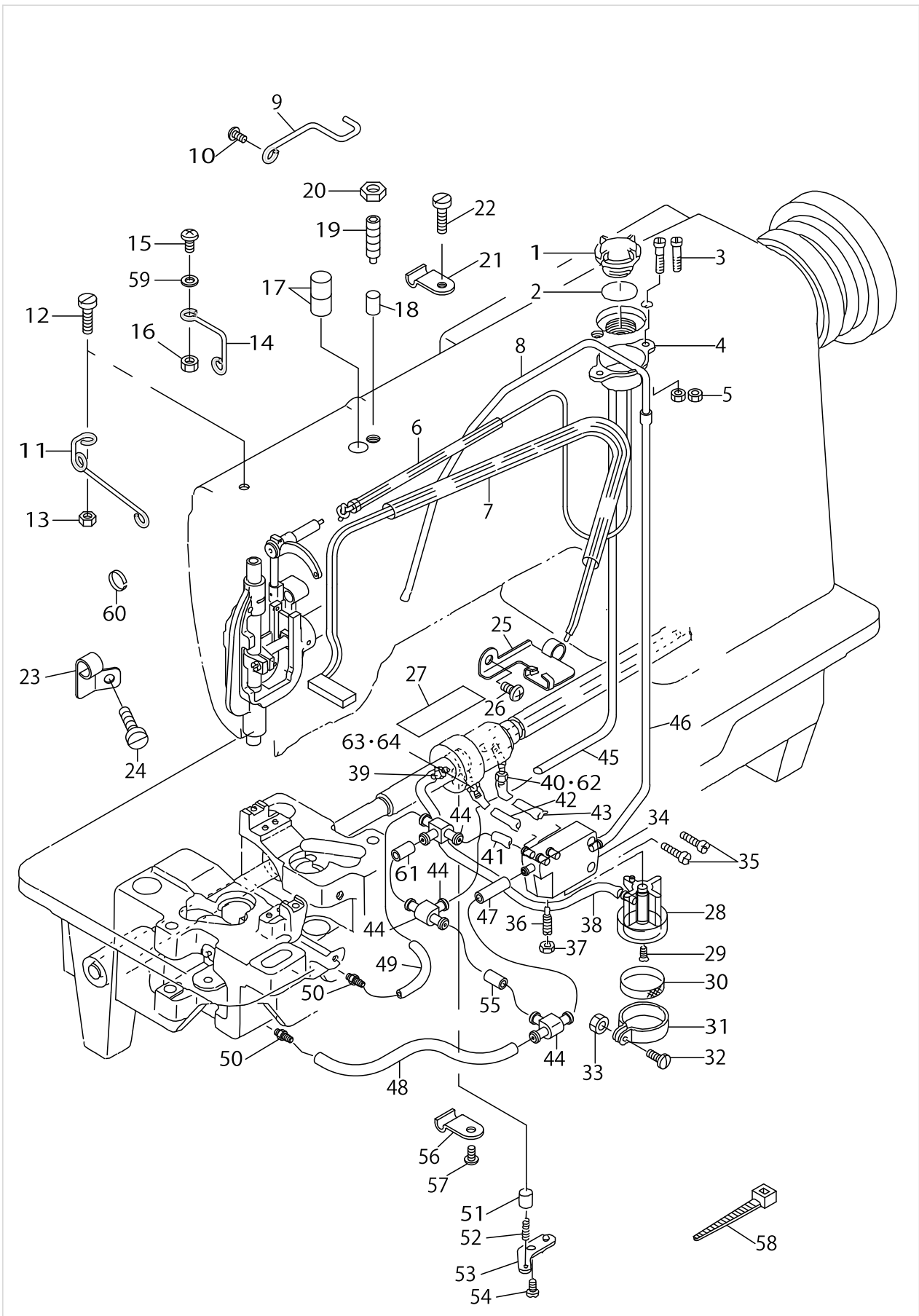
LUBRICATION COMPONENTS



LUBRICATION COMPONENTS

No.	Parts No.	Parts name	Remarks	Level	Cons	Qty
1	B3530555000	OIL SIGHT WINDOW				1
2	RO195240100	RUBBER RING				1
3	SS4111815SP	SCREW 11/64 L=18				2
4	10216703	OIL TANK				1
5	NS6110310SN	NUT 11/64-40				2
6	22620355	OIL PIPE ASM.				1
7	22620454	FELT ASM.				1
8	22620702	OIL TUBE				1
9	22620108	PIPE HOLDER, B				1
10	SS4110715SP	SCREW 11/64-40 L=7				1
11	22619209	OIL WICK GUIDE				1
12	SS6121610SP	SCREW 3/16-28 L=15.5				1
13	NS6120310SP	NUT 3/16-28				1
14	22620504	OIL WICK HOLDER				1
15	SS4111215SP	SCREW 11/64-40 L=12				1
16	NS6110420SP	NUT 11/64-40				1
17	B3517009000	OIL FELT REAR				2
18	22619415	OIL ADJUSTING SHAFT				1
19	SS8701782TP	SCREW 5/16-24 L=17.0				1
20	NS6700420SP	NUT 5/16-24				1
21	22620801	PIPE HOLDER				1
22	SS6111610SP	SCREW 11/64-40 L=16				1
23	22619902	PIPE HOLDER				1
24	SS4110615SP	SCREW 11/64-40 L=6				1
25	22619803	VILENE HOLDER				1
26	SS4110715SP	SCREW 11/64-40 L=7				1
27	22619605	VILENE				1
28	22619001	SUCTION				1
29	SS2110930SP	SCREW 11/64-40 L=8.7				1
30	B1851512000	FILTER SCREEN				1
31	B1850512000	BUSHING HOLDER				1
32	SS7090910SP	SCREW 9/64-40 L= 8.5				1
33	NS6090310SP	NUT 9/64-40				1
34	10623403	BASE				1
35	SS6111610SP	SCREW 11/64-40 L=16				2
36	B1834512000A	OIL ADJUSTING SCREW				1
37	NS6110310SP	NUT 11/64-40				1
38	23630007	TUBE				0.12
39	SQ1150451MZ	CONNECTING SCREW				1
40	SQ1110401MZ	CONNECTING SCREW	FOR LH-3120-7			1
41	23630007	TUBE				0.02
42	23630007	TUBE				0.08
43	23630007	TUBE				0.09
44	13765607	OIL CONNEC. ARM				3
45	23630007	TUBE				0.51
46	23630007	TUBE				0.4
47	23630007	TUBE				0.05

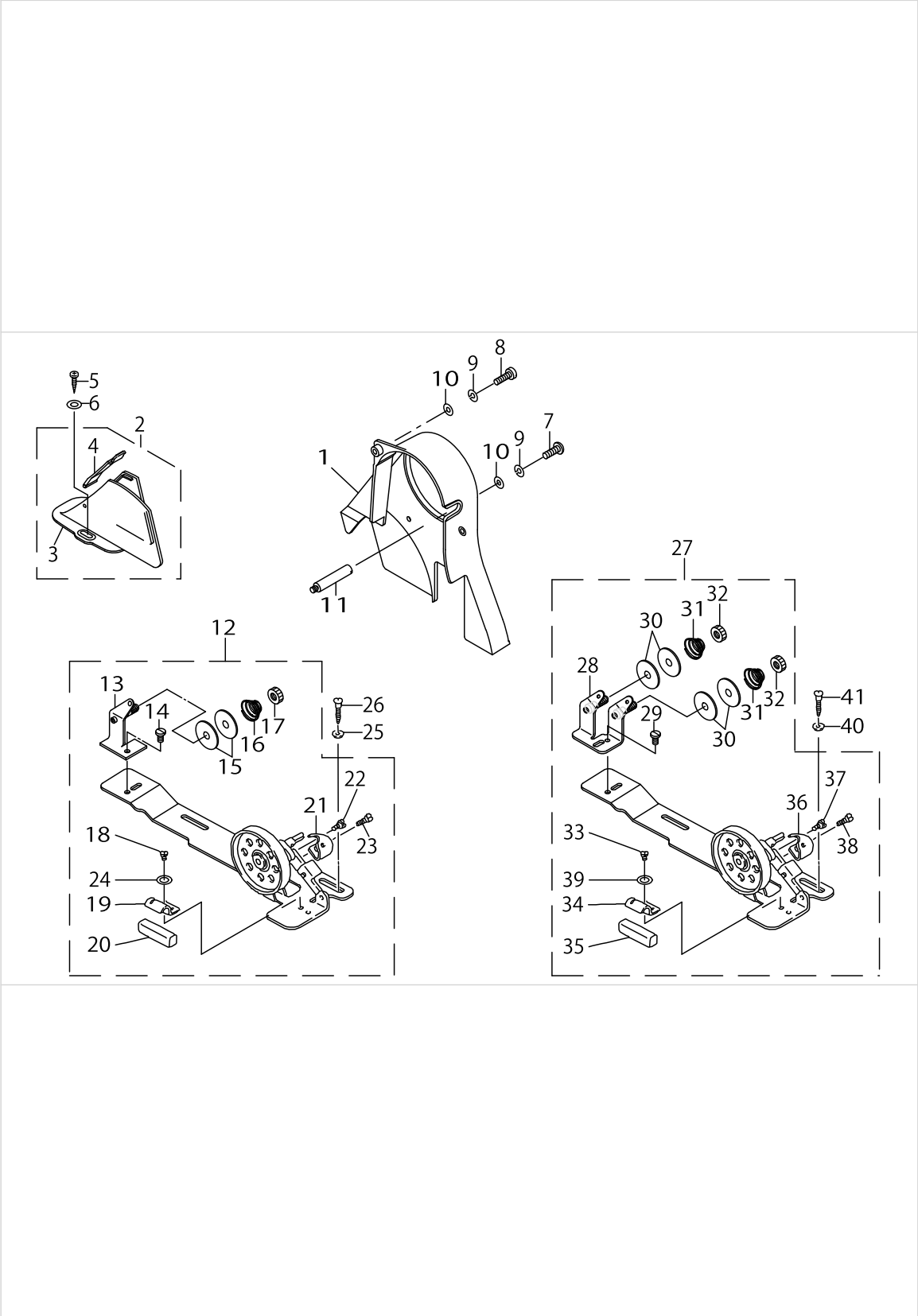
LUBRICATION COMPONENTS



LUBRICATION COMPONENTS

No.	Parts No.	Parts name	Remarks	Level	Cons	Qty
48	23630007	TUBE				0.21
49	23630007	TUBE				0.15
50	SQ1110401MZ	CONNECTING SCREW				2
51	B3534155000	PLUNGER				1
52	B1214038000	PLUNGER SPRING				1
53	B3524552000	PLUNGER THRUST PLATE				1
54	SS4110815SP	SCREW 11/64-40 L=8				1
55	23630007	TUBE				0.02
56	B3538112000	OIL RETURN TUBE HOLDER				1
57	SS4110815SP	SCREW 11/64-40 L=8				1
58	EA9500B0100	CABLE BAND				1
59	B3534012000	GASKET				1
60	B1414512000	OIL WICK RETAINER				1
61	23630007	TUBE				0.02
62	22619704	OILING JOINT	FOR LH-3120			1
63	22619704	OILING JOINT	FOR LH-3120-7			1
64	SQ1110401MZ	CONNECTING SCREW	FOR LH-3120			1

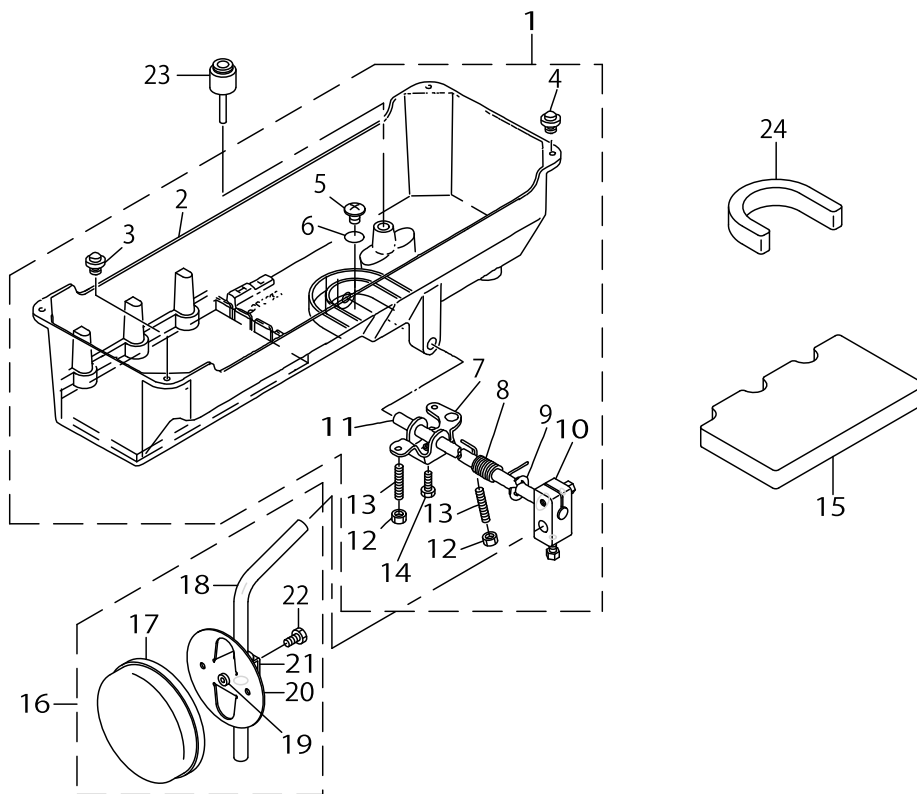
BELT COVER & BOBBIN WINDER COMPONENTS



BELT COVER & BOBBIN WINDER COMPONENTS

No.	Parts No.	Parts name	Remarks	Level	Cons	Qty
1	22603401	BELT COVER A ASM.				1
2	11076858	BELT COVER B ASM.				1
3	11076809	BELT COVER B		*		1
4	11076957	BELT COVER B CAP ASM.		*		1
5	SK3412000SC	WOOD SCREW D=4.1 L=20				2
6	WP0501016SC	WASHER 5X10.5X1				2
7	SS4111215SP	SCREW 11/64-40 L=12				2
8	SS6121610SP	SCREW 3/16-28 L=15.5				1
9	WS0451040KP	SPRING WASHER 4.5X8.5X1				3
10	WP0501016SD	WASHER 5X10.5X1				3
11	B8233555000	BELT COVER SUPPORT STUD				2
12	11077567	BOBBIN WINDER COMPL.				1
13	11078250	THREAD TENSION BRACKET ASM.		*		1
14	SS7110840SP	SCREW 11/64-40 L=7.8		*		1
15	B3126012000	THREAD TENSION DISK		*		2
16	B3129012B00	THREAD TENSION SPRING		*		1
17	B3125012000	THREAD TENSION NUT		*		1
18	SS4110515SP	SCREW 11/64-40 L=5		*		1
19	11078102	PRESSER PLATE		*		1
20	B3211555000	RUBBER BRAKE		*		1
21	11078003	POSITIONING FINGER		*		1
22	SD0490261SP	HINGE SCREW D=4.9 H=2.6		*		1
23	SS7081310SP	SCREW 1/8-44 L=12.5		*		1
24	WP0480856SP	WASHER 4.8X8.4X0.8		*		1
25	WP0501016SC	WASHER 5X10.5X1				2
26	SK3482500SC	WOOD SCREW D=4.8 L=25				2
27	22621155	THREAD WINDER ASM.	FOR JE			1
28	22621056	TENSION BAR BASE		*		1
29	SS7110840SP	SCREW 11/64-40 L=7.8		*		1
30	B3126012000	THREAD TENSION DISK		*		4
31	B3129012B00	THREAD TENSION SPRING		*		2
32	B3125012000	THREAD TENSION NUT		*		2
33	SS4110515SP	SCREW 11/64-40 L=5		*		1
34	11078102	PRESSER PLATE		*		1
35	B3211555000	RUBBER BRAKE		*		1
36	22621106	BOBBIN PRESSER		*		1
37	SD0490261SP	HINGE SCREW D=4.9 H=2.6		*		1
38	SS7081310SP	SCREW 1/8-44 L=12.5		*		1
39	WP0480856SP	WASHER 4.8X8.4X0.8		*		1
40	WP0501016SC	WASHER 5X10.5X1				2
41	SK3482500SC	WOOD SCREW D=4.8 L=25				2

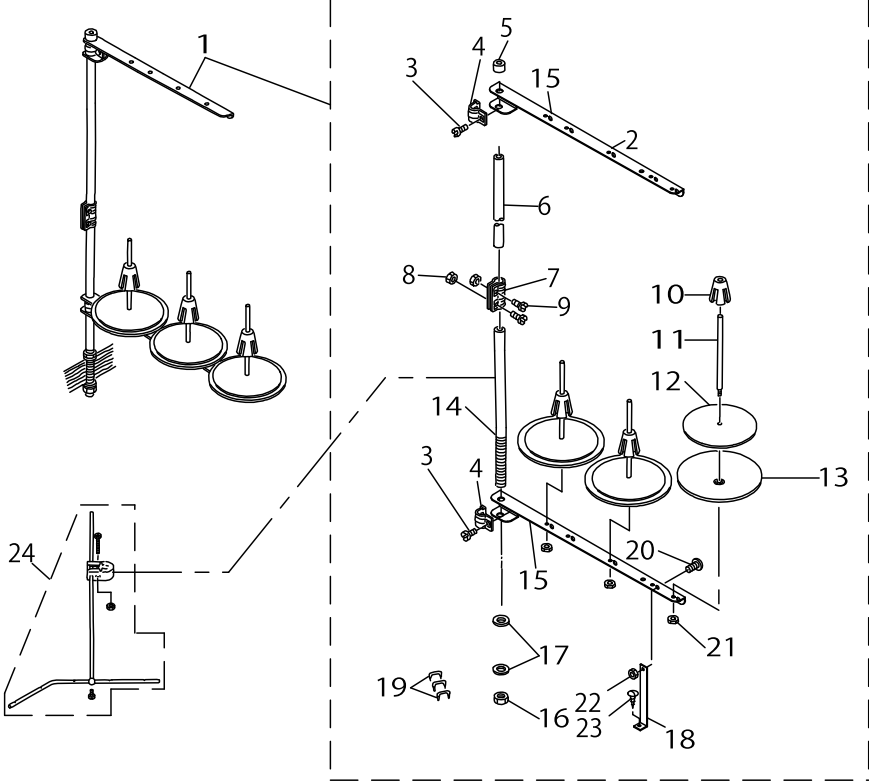
OIL RESERVOIR & KNEE LIFTER COMPONENTS



OIL RESERVOIR & KNEE LIFTER COMPONENTS

No.	Parts No.	Parts name	Remarks	Level	Cons	Qty
1	10162253	OIL RESERVOIR ASM.				1
2	10162204	OIL RESERVOIR		*		1
3	10162600	RUBBER CUSHION		*		2
4	11047107	RUBBER CUSHION		*		2
5	SM0081001SD	SCREW		*		1
6	RO098240100	RUBBER RING		*		1
7	11024015	CONNECTING ROT, VERTICAL		*		1
8	11024106	SPRING		*		1
9	RE1000000K0	E-RING 10		*		1
10	22932453	BRACKET ASM.		*		1
11	11024205	KNEE PRESS ROD		*		1
12	NM6060001SE	NUT M6		*		2
13	SM8063012TR	SCREW M6 L=30		*		2
14	SM9061853SR	SCREW M6 L=17.5		*		1
15	22622104	OIL RESERVOIR SPACER, B				1
16	22934251	KNEE PAD PLATE ASM.				1
17	22934509	KNEE PAD PLATE COVER		*		1
18	22934608	KNEE PAD UPRIGHT SHAFT		*		1
19	22934400	KNEE PAD PLATE RUBBER		*		1
20	22934202	KNEE PAD PLATE		*		1
21	22934301	KNEE PAD PLATE SUPPORT		*		1
22	SM9061203SE	SCREW M6 L=12		*		1
23	11024304	KNEE PRESS LIFTER ROD				1
24	22622005	OIL RESERVOIR SPACER, A				1

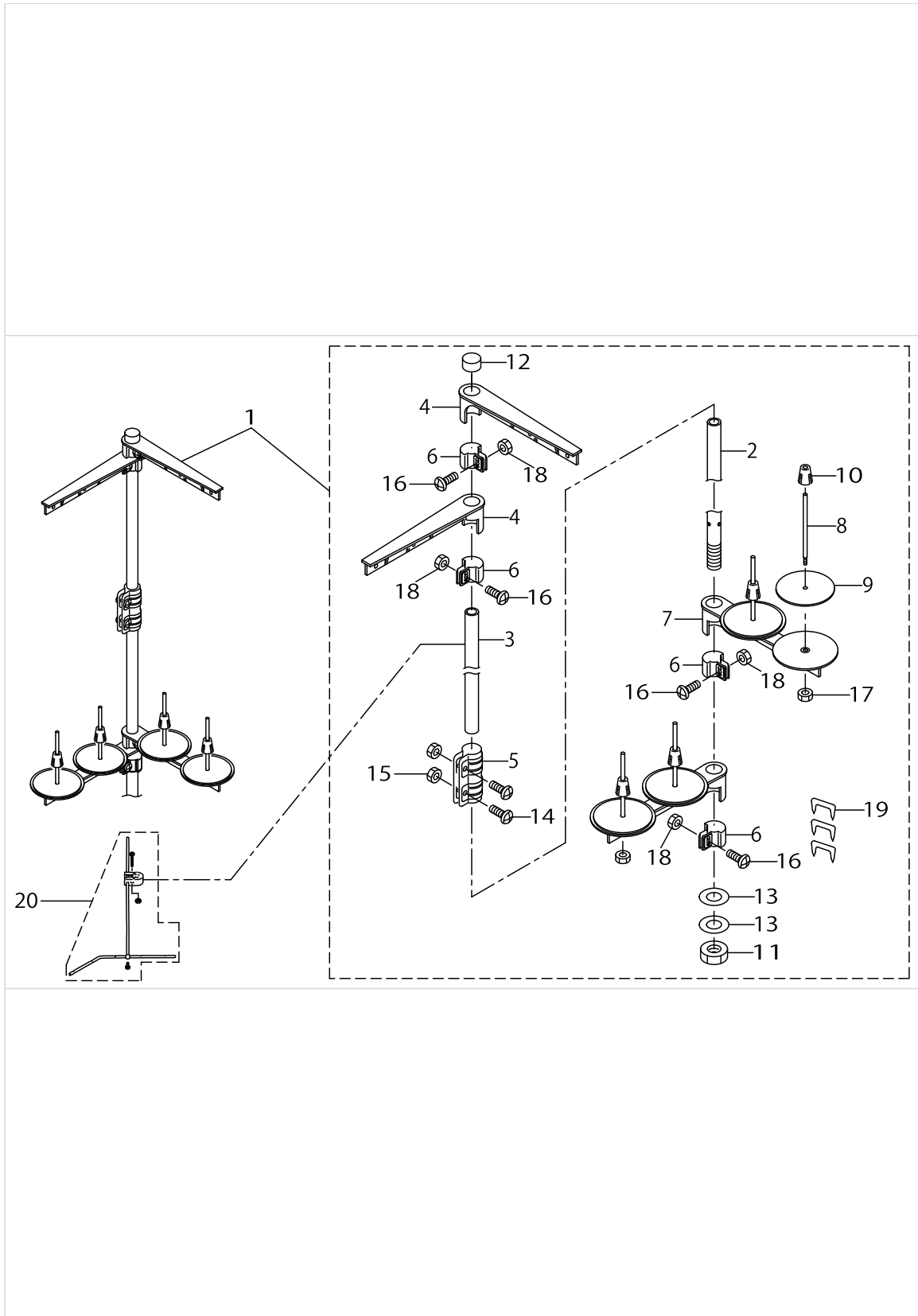
THREAD STAND COMPONENTS (1)



THREAD STAND COMPONENTS (1)

No.	Parts No.	Parts name	Remarks	Level	Cons	Qty
1	D3301772TAB	THREAD STAND ASM.				1
2	B3319704L00	THREAD GUIDE		*		3
3	SM6061610SC	SCREW M6 L=16		*		2
4	B3318704L00A	THREAD GUIDE ARM JOINT		*		2
5	11184108	SPOOL REST ROD RUBBER CAP		*		1
6	11183704	SPOOL REST ROD, UPPER		*		1
7	B3305704000A	SPOOL REST ROD JOINT		*		1
8	NM6050001SE	NUT M5		*		2
9	SM4051405SE	SCREW M5 L=14		*		2
10	11184009	SPOOL RETAINER		*		3
11	B3320704L00A	SPOOL PIN		*		3
12	B3311012000	SPOOL REST CUSHION		*		3
13	11183902	SPOOL REST		*		3
14	11183605	SPOOL REST ROD, LOWER		*		1
15	11957602	THREAD GUIDE ARM, A		*		2
16	B3317704000	NUT		*		2
17	WP1702600S0	WASHER 17X30X2.6		*		2
18	WS1643202KR	SPRING WASHER		*		1
19	MAO11532000	CORD STAPLE		*		3
20	WS0510002KN	SPRING WASHER		*		3
21	NM6050001SE	NUT M5		*		3
22	D3310555D00	RUBBER WASHER		*		1
23	B33097040A0	THREAD GUIDE ARM ASM.				1
24	B33097040A0	THREAD GUIDE ARM ASM.	FOR TYPE,DESTINATION			1



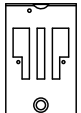

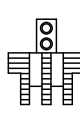
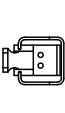
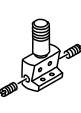
THREAD STAND COMPONENTS (2)



THREAD STAND COMPONENTS (2)

No.	Parts No.	Parts name	Remarks	Level	Cons	Qty
1	10162758	THREAD STANDING DEVICE ASM.	FOR JE			1
2	11185105	SPOOL REST ROD,LOWER		*		1
3	11185204	SPOOL REST ROD,UPPER		*		1
4	11185352	THREAD GUIDE ASM.		*		2
5	B3305704000A	SPOOL REST ROD JOINT		*		1
6	11185402	THREAD GUIDE ARM JOINT		*		4
7	11185006	SPOOL REST ARM		*		2
8	B3320704L00A	SPOOL PIN		*		4
9	B3311012000	SPOOL REST CUSHION		*		4
10	11185501	SPOOL RETAINER		*		4
11	B3317704000	NUT		*		1
12	B3311704000	SPOOL REST ROD CAP		*		1
13	WP1612616SE	WASHER 16X30X2.6		*		2
14	SM4051405SE	SCREW M5 L=14		*		2
15	NM6050001SE	NUT M5		*		2
16	SM4051405SE	SCREW M5 L=14		*		4
17	NM6050001SE	NUT M5		*		4
18	NM6050001SE	NUT M5		*		4
19	MAO11532000	CORD STAPLE		*		3
20	B33097040A0	THREAD GUIDE ARM ASM.	FOR TYPE,DESTINATION			1

TABLE OF EXCHANGING GAUGE PARTS (1)

		<FOR LH-3120> <LH-3120用>										★ Standard spec.		標準仕様	
Needle gauge size 針 幅		Throat plate 針 板				Feed Dog 送 り 歯				Presser Foot asm. 押 さ え(組)		Needle clamp asm. 針 留(組)			
Code コード															
	inch	mm	Ref.No.	Part No.	Ref.No.	Part No.	Ref.No.	Part No.	Ref.No.	Part No.	Ref.No.	Part No.	Ref.No.	Part No.	
A	3/32	2.4													
B	1/8	3.2	1	228-45200			8	228-47206			15	103-91852	22	101-47650	
C	5/32	4.0													
D	3/16	4.8	2	228-45408			9	228-47404			16	103-92058	23	101-47858	
E	7/32	5.6													
F	1/4	6.4	3	228-45606			10	228-47602			17	103-92256	24	101-48054	
G	9/32	7.1													
H	5/16	7.9													
K	3/8	9.5													
W	7/16	11.1													
L	1/2	12.7			4	228-46109			11	228-48105	18	103-92751	25	101-48559	
M	5/8	15.9													
N	3/4	19.1			5	228-46307			12	228-48303	19	103-93056	26	101-48757	
P	7/8	22.2			6	228-46406			13	228-48402	20	228-44450	27	101-48856	
Q	1	25.4			7	228-46505			14	228-48501	21	228-44559	28	101-48955	
R	1 1/8	28.6													
S	1 1/4	31.8													
T	1 3/8	34.9													
U	1 1/2	38.1													
Stitch spec. 縫仕様	A		★		★		★		★		★	Spec.common 仕様共通		Spec.common 仕様共通	
	F		★												

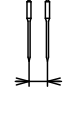
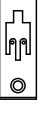
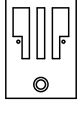

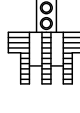
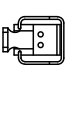
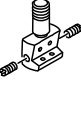


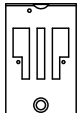

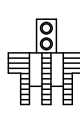
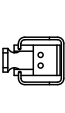
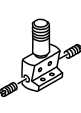
		<FOR LH-3120-7> <LH-3120-7用>										★ Standard spec.		標準仕様	
Needle gauge size 針 幅		Throat plate 針 板				Feed Dog 送 り 歯				Presser Foot asm. 押 さ え(組)		Needle clamp asm. 針 留(組)			
Code コード															
	inch	mm	Ref.No.	Part No.	Ref.No.	Part No.	Ref.No.	Part No.	Ref.No.	Part No.	Ref.No.	Part No.	Ref.No.	Part No.	
A	3/32	2.4													
B	1/8	3.2	29	228-53204			36	228-55209			43	103-91852	50	101-47650	
C	5/32	4.0													
D	3/16	4.8	30	228-53402			37	228-55407			44	103-92058	51	101-47858	
E	7/32	5.6													
F	1/4	6.4	31	228-53600			38	228-55605			45	103-92256	52	101-48054	
G	9/32	7.1													
H	5/16	7.9													
K	3/8	9.5													
W	7/16	11.1													
L	1/2	12.7			32	228-54103			39	228-56108	46	103-92751	53	101-48559	
M	5/8	15.9													
N	3/4	19.1			33	228-54301			40	228-56306	47	103-93056	54	101-48757	
P	7/8	22.2			34	228-54400			41	228-56405	48	228-44450	55	101-48856	
Q	1	25.4			35	228-54509			42	228-56504	49	228-44559	56	101-48955	
R	1 1/8	28.6													
S	1 1/4	31.8													
T	1 3/8	34.9													
U	1 1/2	38.1													
Stitch spec. 縫仕様	A		★		★		★		★		★	★		★	
	F														

TABLE OF EXCHANGING GAUGE PARTS (1)

No.	Parts No.	Parts name	Remarks	Level	Cons	Qty
1	22845200	THROAT PLATE, (1/8).				1
2	22845408	THROAT PLATE, 3/16.				1
3	22845606	THROAT PLATE, (1/4).				1
4	22846109	THROAT PLATE, (1/2).				1
5	22846307	THROAT PLATE, (3/4).				1
6	22846406	THROAT PLATE, (7/8).				1
7	22846505	THROAT PLATE,(1)				1
8	22847206	FEED DOG, (1/8)				1
9	22847404	FEED DOG, 3/16.				1
10	22847602	FEED DOG, (1/4).				1
11	22848105	FEED DOG, (1/2).				1
12	22848303	FEED DOG, (3/4).				1
13	22848402	FEED DOG, (7/8).				1
14	22848501	FEED DOG, (1).				1
15	10391852	PRESSER FOOT ASM. 1/8				1
16	10392058	PRESSER FOOT ASM. 3/16				1
17	10392256	PRESSER FOOT ASM. 1/4				1
18	10392751	PRESSER FOOT ASM. 1/2				1
19	10393056	PRESSER FOOT ASM. 3/4				1
20	22844450	COMPENSATING PRESSER ASM,(7/8)				1
21	22844559	BOBBIN CASE ASM, HEAVY FABLIC.				1
22	10147650	NEEDLE CLAMP ASM. 1/8				1
23	10147858	NEEDLE CLAMP ASM. 3/16				1
24	10148054	NEEDLE CLAMP ASM. 1/4				1
25	10148559	NEEDLE CLAMP ASM. 1/2				1
26	10148757	NEEDLE CLAMP ASM. 3/4				1
27	10148856	NEEDLE CLAMP ASM. 7/8				1
28	10148955	NEEDLE CLAMP ASM. 1				1
29	22853204	THROA PLATE, 1/8				1
30	22853402	THROA PLATE, 3/16				1
31	22853600	THROAT PLATE, 1/4.				1
32	22854103	THROAT PLATE, 1/2				1
33	22854301	THROA PLATE, 3/4				1
34	22854400	THROA PLATE, 7/8				1
35	22854509	THROA PLATE, 1				1
36	22855209	THREAD CUTTING FEED DOG, 1/8				1
37	22855407	THREAD CUTTING FEED DOG, 3/16				1
38	22855605	THREAD CUTTING FEED DOG, 1/4				1
39	22856108	THREAD CUTTING FEED DOG, 1/2				1
40	22856306	THREAD CUTTING FEED DOG, 3/4				1
41	22856405	THREAD TRIMMER FEED DOG,7/8				1
42	22856504	THREAD CUTTING FEED DOG, 1				1
43	10391852	PRESSER FOOT ASM. 1/8				1
44	10392058	PRESSER FOOT ASM. 3/16				1
45	10392256	PRESSER FOOT ASM. 1/4				1
46	10392751	PRESSER FOOT ASM. 1/2				1
47	10393056	PRESSER FOOT ASM. 3/4				1

TABLE OF EXCHANGING GAUGE PARTS (1)

<FOR LH-3120> <LH-3120用>														★ Standard spec.		標準仕様	
Needle gauge size 針 幅		Throat plate 針 板				Feed Dog 送 り 歯				Presser Foot asm. 押 さ え(組)		Needle clamp asm. 針 留(組)					
Code コード																	
	inch	mm	Ref.No.	Part No.	Ref.No.	Part No.	Ref.No.	Part No.	Ref.No.	Part No.	Ref.No.	Part No.	Ref.No.	Part No.			
A	3/32	2.4															
B	1/8	3.2	1	228-45200			8	228-47206			15	103-91852	22	101-47650			
C	5/32	4.0															
D	3/16	4.8	2	228-45408			9	228-47404			16	103-92058	23	101-47858			
E	7/32	5.6															
F	1/4	6.4	3	228-45606			10	228-47602			17	103-92256	24	101-48054			
G	9/32	7.1															
H	5/16	7.9															
K	3/8	9.5															
W	7/16	11.1															
L	1/2	12.7			4	228-46109			11	228-48105	18	103-92751	25	101-48559			
M	5/8	15.9															
N	3/4	19.1			5	228-46307			12	228-48303	19	103-93056	26	101-48757			
P	7/8	22.2			6	228-46406			13	228-48402	20	228-44450	27	101-48856			
Q	1	25.4			7	228-46505			14	228-48501	21	228-44559	28	101-48955			
R	1 1/8	28.6															
S	1 1/4	31.8															
T	1 3/8	34.9															
U	1 1/2	38.1															
Stitch spec. 縫仕様	A		★		★		★		★		Spec.common 仕様共通		Spec.common 仕様共通				
	F		★				★										

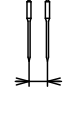
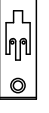
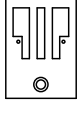

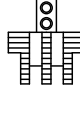
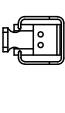
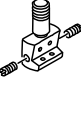
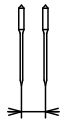

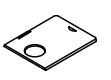

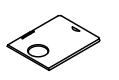
<FOR LH-3120-7> <LH-3120-7用>														★ Standard spec.		標準仕様	
Needle gauge size 針 幅		Throat plate 針 板				Feed Dog 送 り 歯				Presser Foot asm. 押 さ え(組)		Needle clamp asm. 針 留(組)					
Code コード																	
	inch	mm	Ref.No.	Part No.	Ref.No.	Part No.	Ref.No.	Part No.	Ref.No.	Part No.	Ref.No.	Part No.	Ref.No.	Part No.			
A	3/32	2.4															
B	1/8	3.2	29	228-53204			36	228-55209			43	103-91852	50	101-47650			
C	5/32	4.0															
D	3/16	4.8	30	228-53402			37	228-55407			44	103-92058	51	101-47858			
E	7/32	5.6															
F	1/4	6.4	31	228-53600			38	228-55605			45	103-92256	52	101-48054			
G	9/32	7.1															
H	5/16	7.9															
K	3/8	9.5															
W	7/16	11.1															
L	1/2	12.7			32	228-54103			39	228-56108	46	103-92751	53	101-48559			
M	5/8	15.9															
N	3/4	19.1			33	228-54301			40	228-56306	47	103-93056	54	101-48757			
P	7/8	22.2			34	228-54400			41	228-56405	48	228-44450	55	101-48856			
Q	1	25.4			35	228-54509			42	228-56504	49	228-44559	56	101-48955			
R	1 1/8	28.6															
S	1 1/4	31.8															
T	1 3/8	34.9															
U	1 1/2	38.1															
Stitch spec. 縫仕様	A		★		★		★		★		★		★				

TABLE OF EXCHANGING GAUGE PARTS (1)


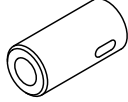
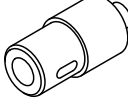
No.	Parts No.	Parts name	Remarks	Level	Cons	Qty
48	22844450	COMPENSATING PRESSER ASM,(7/8)				1
49	22844559	BOBBIN CASE ASM, HEAVY FABLIC.				1
50	10147650	NEEDLE CLAMP ASM. 1/8				1
51	10147858	NEEDLE CLAMP ASM. 3/16				1
52	10148054	NEEDLE CLAMP ASM. 1/4				1
53	10148559	NEEDLE CLAMP ASM. 1/2				1
54	10148757	NEEDLE CLAMP ASM. 3/4				1
55	10148856	NEEDLE CLAMP ASM. 7/8				1
56	10148955	NEEDLE CLAMP ASM. 1				1

TABLE OF EXCHANGING GAUGE PARTS (2)

<Bed Slide (Left),(Right)> <滑り板(左),(右)>

Needle gauge size 針 幅		Bed Slide asm. (with Tread Trimmer) 滑り板(組) (糸切り付)				Bed Slide asm. (without Tread Trimmer・ Stitch spec.F) 滑り板 (組) (糸切り無・F仕様)				
Code コード			Bed Slide asm. (Left) 糸切り滑り板(左)組 		Bed Slide asm. (Right) 糸切り滑り板(右)組 		Bed Slide asm. (Left) 滑り板(左)組 		Bed Slide asm. (Right) 滑り板(右)組 	
	inch	mm	Ref.No.	Part No.	Ref.No.	Part No.	Ref.No.	Part No.	Ref.No.	Part No.
A S W	3/32 S 7/16	2.4 S 11.4	1	226-50857	4	226-50352	7	226-01058	10	226-00555
L S N	1/2 S 3/4	12.7 S 19.1	2	226-50956	5	226-50451	8	226-01157	11	226-00654
P S Q	7/8 S 1 1/8	22.2 S 28.6	3	226-51503	6	226-50550	9	226-01256	12	226-00753

<Hook Driving Shaft> <下軸メタル>

Needle gauge size 針 幅		Front Metal 前メタル		Inner Metal 中メタル		
Code コード						
	inch	mm	Ref.No.	Part No.	Ref.No.	Part No.
A S P	3/32 S 7/8	2.4 S 22.2	13	B1802-512-0A0-A	15	B1803-515-0A0
Q S U	1 S 1 1/2	25.4 S 38.1	14	B1802-512-0AB	16	101-12357

<Wiper> <ワイパー>

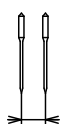
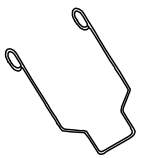
Needle gauge size 針 幅		Wiper ワイパー				
Code コード						
	inch	mm	Ref.No.	Part No.		
A S K	3/32 S 3/8	2.4 S 9.5	17	102-09203		
W S M	7/16 S 5/8	11.1 S 15.9	18	102-09500		
N S P	3/4 S 7/8	19.1 S 22.2	19	102-09807		
Q S S	1 S 1 1/4	25.4 S 31.8	20	102-09906		

TABLE OF EXCHANGING GAUGE PARTS (2)

No.	Parts No.	Parts name	Remarks	Level	Cons	Qty
1	22650857	BED SLIDE LEFT, ASM., A				1
2	22650956	LEFT SLIDER PLATE B ASM.				1
3	22651503	BED SLIDE LEFT, ASM., C				1
4	22650352	BED SLIDE RIGHT, ASM., A				1
5	22650451	RIGHT SLIDER PLATE B ASM.				1
6	22650550	BED SLIDE RIGHT, ASM., C				1
7	22601058	BED SLIDE LEFT, ASM., A				1
8	22601157	LEFT SLIDER PLATE B ASM.				1
9	22601256	BED SLIDE LEFT, ASM., C				1
10	22600555	BED SLIDE RIGHT, ASM., A				1
11	22600654	RIGHT SLIDER PLATE B ASM.				1
12	22600753	BED SLIDE RIGHT, ASM., C				1
13	B18025120A0A	BUSHING ASM., FRONT				1
14	B18025120AB	BUSHING ASM., FRONT				1
15	B18035150A0	BUSHING ASM., INTERMEDIATE				1
16	10112357	BUSHING ASM. INTERMEDIATE				1
17	10209203	WIPER 3/32"-3/8				1
18	10209500	WIPER				1
19	10209807	WIPER				1
20	10209906	WIPER				1

LIST FOR INFORMATION OF CHANGE

As to the place changed, refer to the corresponding Rev.No.
 When previous parts(Obsoleted part)and new parts(Added parts)are
 not interchangeable with each other:
 In this case,even obsoleted parts(D.)can be ordered with the
 obsoleted part number,so select the parts with changed dates and
 place your orders.

変更箇所は、該当Rev.No.版をご参照ください。
 部品の互換性がない変更の場合は、削除された品番でも、ご注文できます。

29178902
 No.1077-06 Rev.No.

*A:Added parts追加部品/D:Obsoleted parts削除部品/E:Erratum訂正

*	Rev. No.	Page 頁	Ref. No.	Parts No. 品番	*	Rev. No.	Page 頁	Ref. No.	Parts No. 品番
D	05	4	48	232-04209					
D	05	4	49	226-06602					
D	05	4	50	PT-0502700-S0					
D	05	4	54	B1411-051-000	A	06	4	54	101-04800

HOW TO MAKE USE OF THIS PARTS LIST

1.Explanation of codes

1)"*"mark.....means this part is changed from the previous parts book.

As to the details of the change, refer to the "List for information of change".

2)"#01".....refer to "Note" explanation at bottom of page.

2.Codes on the "Qty" column

• Each numeral indicates the number of parts required.

• "0.1" and "2.5" indicate the length (in meters) of the respective parts.

3.Parentheses mean that the corresponding part is a subpart that constructs an assembly part.

4.Dotted lines on the Figures indicate assembly parts.

1."注記"欄の記号説明

1) "*"印.....前回のパーツブックに比較して今回変更された部品を意味します。

変更内容は、"変更情報リスト"を参照してください。

2) "#01".....ページ下の"注記"の説明を参照してください。

2.数量欄の数字は、個数を表し、0.1、2.5等の数値は、長さ（単位メートル）を表します。

3.数量欄の（ ）は、組部品を構成している子部品であることを意味します。

4.イラストページの-----枠は、組構成であることを意味します。

NUMERICAL INDEX OF PARTS

PART NO	PAGE	REF NO.	PART NO	PAGE	REF NO.	PART NO	PAGE	REF NO.
10004109	2	36	10148955	44	56	11024015	38	7
10101004	2	3	10148955	46	56	11024106	38	8
10104800	8	54	10161305	28	17	11024205	38	11
10106102	18	50	10162204	38	2	11024304	38	23
10107902	16	39	10162253	38	1	11032562	6	28
10108009	16	13	10162600	38	3	11045101	10	12
10108512	12	2	10162758	42	1	11047107	38	4
10108611	12	12-13	10208551	30	29	11052701	16	20
10109908	12	36	10208700	30	32	11071602	20	36
10110500	12	25	10209203	30	35	11071701	20	37
10110609	12	26	10209203	48	17	11071800	20	1
10111201	14	47	10209500	30	36	11072006	16	22
10111508	14	81	10209500	48	18	11072402	10	14
10112001	12	7	10209807	30	37	11072501	28	2
10112357	48	16	10209807	48	19	11072709	30	2
10112407	12	37	10209906	30	38	11076809	36	3
10112803	12	29	10209906	48	20	11076858	36	2
10112902	12	31	10210805	14	80	11076957	36	4
10116051	24	3	10211407	24	6	11077567	36	12
10116606	24	23	10211605	24	2	11078003	36	21
10116705	24	40	10216703	32	4	11078102	36	34
10116754	24	37	10315208	18	62	11078250	36	13
10116804	24	15	10315455	18	63	11100500	28	37
10116903	24	35	10315505	18	56	11102100	28	5
10117109	24	24	10391852	44	43	11102209	28	6
10117208	24	18	10392058	44	44	11102308	28	11
10117851	26	55	10392256	20	44	11110301	30	13
10119105	28	18	10392256	44	45	11110400	30	11
10119204	28	19	10392751	44	46	11110509	30	12
10124204	10	10	10393056	44	47	11110707	30	8
10124303	10	15	10602902	2	2	11111705	30	14
10125201	20	16	10604809	6	29	11111804	30	21
10147650	44	50	10611457	12	19	11183605	40	14
10147650	46	50	10623403	32	34	11183704	40	6
10147858	44	51	10697506	10	36	11183902	40	13
10147858	46	51	10697605	10	3	11184009	40	10
10148054	8	62	10741106	10	11	11184108	40	5
10148054	44	52	11006202	20	7	11185006	42	7
10148054	46	52	11006350	20	6	11185105	42	2
10148559	44	53	11006509	20	11	11185204	42	3
10148559	46	53	11007101	20	13	11185352	42	4
10148757	44	54	11007309	20	8	11185402	42	6
10148757	46	54	11009909	16	18	11185501	42	10
10148856	44	55	11018108	20	20	11394509	20	24
10148856	46	55	11018207	20	19	11956802	10	22

NUMERICAL INDEX OF PARTS

PART NO	PAGE	REF NO.	PART NO	PAGE	REF NO.	PART NO	PAGE	REF NO.
11957602	40	15	22609754	16	37	22618052	10	9
13515606	28	40	22609804	12	9	22618102	10	6
13765607	32	44	22610000	16	6	22618201	10	4
22600555	2	44-45	22610109	16	2	22618300	10	5
22600555	48	10	22610208	16	4	22618458	10	1-2
22600654	48	11	22610307	16	8	22618656	10	1-2
22600753	48	12	22610406	16	24	22618706	10	13
22601058	2	42-43	22610505	16	16	22618805	10	31
22601058	48	7	22610604	16	9-10	22618904	10	27
22601157	48	8	22610901	16	21	22619001	32	28
22601256	48	9	22611602	12	16	22619100	2	11-54
22602007	2	17-60	22611651	12	15	22619209	32	11
22602254	2	20	22611701	12	12-13	22619415	32	18
22602601	4	48	22611909	14	70	22619605	32	27
22603013	2	25	22612006	12	23	22619704	34	63-64
22603112	2	27	22612055	12	22	22619803	32	25
22603203	2	29	22612105	12	27	22619902	32	23
22603401	36	1	22612204	12	28	22620108	32	9
22603609	4	51	22612303	12	30	22620355	32	6
22603708	4	52	22612402	12	24	22620454	32	7
22603906	6	30	22612501	12	32	22620504	32	14
22604003	6	41	22612659	14	48	22620702	32	8
22604300	6	43	22612758	14	77	22620801	20	32
22604409	6	37	22613004	14	52	22620801	32	21
22604508	6	17	22613103	14	50	22620900	2	14
22604607	6	33	22613400	14	67	22621056	36	28
22604656	6	32	22613509	12	35	22621106	36	36
22604904	6	42	22613608	14	72	22621155	36	27
22605307	6	2	22613905	14	49	22622005	38	24
22605356	6	1	22614101	12	46	22622104	38	15
22605406	6	7	22615009	14	57	22622351	6	31
22606008	8	60	22615108	14	56	22622401	6	15
22607303	8	52	22615207	14	60	22623102	12	1
22607402	8	53	22615306	14	59	22623201	6	44
22608004	20	41	22615454	14	55	22650055	2	46-47
22608103	20	10	22615702	14	61	22650055	4	46-47
22608152	20	5	22615801	14	63	22650352	2	44-45
22608400	20	39-46	22615959	14	64	22650352	48	4
22609002	16	27-28	22616254	14	65	22650451	48	5
22609101	16	31	22617005	20	34	22650550	48	6
22609200	16	26	22617104	20	23	22650857	2	42-43
22609309	18	58	22617609	10	30	22650857	48	1
22609408	16	45	22617708	10	24	22650956	48	2
22609606	18	57	22617807	10	23	22651202	4	61
22609705	16	38	22617906	10	17	22651459	4	53

NUMERICAL INDEX OF PARTS

PART NO	PAGE	REF NO.	PART NO	PAGE	REF NO.	PART NO	PAGE	REF NO.
22651503	48	3	22811806	8	64	22908800	20	15
22651509	6	21	22818009	4	17·60	22912109	16	19
22651558	6	20	22840409	2	33	22920706	2	23
22651566	6	19	22840508	2	32	22932453	38	10
22651608	6	45	22840557	2	31	22934202	38	20
22651905	8	61	22844450	44	48	22934251	38	16
22652002	16	27·28	22844450	46	48	22934301	38	21
22652101	16	9·10	22844559	44	49	22934400	38	19
22653059	14	79	22844559	46	49	22934509	38	17
22653158	14	78	22845200	44	1	22934608	38	18
22653505	14	53	22845408	44	2	22951552	2	8
22653604	14	51	22845606	2	40·41	23203706	6	5
22653802	14	76	22845606	44	3	23203805	6	6
22654008	26	61	22846109	44	4	23204258	6	47
22654107	24	31	22846307	44	5	23204308	6	10
22654206	24	5	22846406	44	6	23204506	8	57~59
22654255	24	4	22846505	44	7	23204605	8	57~59
22654305	26	53	22847206	44	8	23204704	8	57~59
22654404	24	44	22847404	44	9	23204803	2	18
22654503	26	48	22847602	16	35·36	23630007	32	61
22654552	24	47	22847602	44	10	23630007	34	61
22654602	26	49	22848105	44	11	B1104051000	4	59
22654701	24	26	22848303	44	12	B1202512000	6	14
22654800	24	14	22848402	44	13	B12105260A0	6	11
22654909	20	25	22848501	44	14	B1214038000	34	52
22654958	20	22	22853204	44	29	B1414512000	34	60
22655005	26	60	22853402	44	30	B1438512B00	8	51
22655104	24	22	22853600	2	40·41	B1501581000	20	40
22655153	24	20	22853600	44	31	B1505227T00A	20	39·46
22655302	24	11	22854103	44	32	B1506352000	28	39
22655401	24	10	22854301	44	33	B1515051000	24	46
22656003	28	41	22854400	44	34	B1521555000	20	2
22656102	28	33	22854509	44	35	B1603512000	18	48
22656201	28	32	22855209	44	36	B1604012000A	16	43
22656300	28	28	22855407	44	37	B1610512000	16	33
22656409	28	27	22855605	16	35·36	B1633470000	18	65
22656508	28	4	22855605	44	38	B1636581B00	16	32
22656557	28	1	22856108	44	39	B1653470000	18	53
22656607	28	12	22856306	44	40	B18025120A0A	12	3
22657050	30	28	22856405	44	41	B18025120A0A	48	13
22657100	30	18	22856504	44	42	B18025120AB	48	14
22657159	30	1	22904155	18	52	B18035150A0	12	11
22657209	30	6	22907109	20	43	B18035150A0	48	15
22657308	30	9	22907703	20	38	B1816512000	12	5
22657803	4	11·54	22908552	20	4	B1820563000	12	39

NUMERICAL INDEX OF PARTS

PART NO	PAGE	REF NO.	PART NO	PAGE	REF NO.	PART NO	PAGE	REF NO.
B1821051000	12	41	CM300200101	4	65-66	MDP500B1100	8	48~50
B1822051000	12	42	CM3002001A1	4	65-66	NM6050001SE	40	21
B1823051000	12	45	CQ202000000	6	3	NM6050001SE	42	18
B1834512000A	32	36	CQ202000000	12	44	NM6050001SP	24	43
B1850512000	32	31	CQ252000000	6	8	NM6060001SE	38	12
B1851512000	32	30	CQ252000000	18	66	NS6080210SP	16	46
B2024771000	30	7	CQ505000000	6	12	NS6090310SP	30	26
B3041980000	26	59	CS0300711SP	30	22	NS6090310SP	32	33
B3112704000	10	21	CS070081BSH	24	33	NS6110310SN	32	5
B3121352000	10	20	CS102121ASH	16	11	NS6110310SP	10	8
B3125012000	36	32	CS1470710SH	24	29	NS6110310SP	30	10
B3126012000	10	16	CS1471012SH	14	74	NS6110310SP	32	37
B3126012000	36	30	CS170101ASZ	8	56	NS6110420SP	12	43
B3129012B00	36	31	D2112555B00	2	56	NS6110420SP	32	16
B31375270A0	10	32	D2112555B00	4	56	NS6120310SP	32	13
B3138527000	10	29	D2427555B00B	24	42	NS6620310SP	20	27
B3139527000	10	33	D2428555B00A	24	41	NS6680320SP	18	59
B3141527000	10	25	D2430555B00	24	39	NS6700420SP	32	20
B3142527000	10	34	D2464555B00	28	22	PS0300201KP	24	25
B3143527000	10	35	D3129555D00	10	19	PS0600502KP	20	35
B3211555000	36	35	D3159555B00	20	26	RE0320000K0	30	31
B3305704000A	40	7	D3163555B00A	20	30	RE0400000K0	28	23
B3305704000A	42	5	D3164555B00	20	28	RE0500000K0	16	3
B33097040A0	40	24	D3171415B0H	14	62	RE0500000K0	20	18
B33097040A0	42	20	D3301772TAB	40	1	RE0500711KP	16	42
B3311012000	40	12	D3310555D00	40	22	RE0900000K0	16	14
B3311012000	42	9	EA9500B0100	26	65	RE1000000K0	38	9
B3311704000	42	12	EA9500B0100	34	58	RO037180100	20	3
B3317704000	40	16	HA000590000	30	15	RO092270200	16	17
B3317704000	42	11	HA001900000	28	10	RO098240100	38	6
B3318704L00A	40	4	HK034610140	26	57	RO195240100	32	2
B3319704L00	40	2	HK03464000B	26	56	RO437200200	6	35
B3320704L00A	40	11	HK03464000B	28	13	SB120000100	6	34
B3320704L00A	42	8	HK03464000B	30	24	SB120000200	12	17
B3417051000	26	62	HW200390000	30	16	SD0470281SP	10	7
B3418180000	24	17	HW500070000	28	9	SD0490261SP	36	37
B3517009000	32	17	HW500070000	30	17	SD0500301SP	30	27
B3524552000	34	53	M4002110000	6	22	SD0600271SP	24	19
B3530555000	32	1	M40071100AA	6	23	SD0600322SD	20	17
B3534012000	34	59	M40071100AB	6	24	SD0640321SP	28	34
B3534155000	34	51	M6046350AAA	4	63	SD0650305TP	26	52
B3538112000	34	56	MAO11532000	40	19	SD0650321TP	30	5
B8233555000	36	11	MAO11532000	42	19	SD0720332SP	20	14
B9117051000	12	21	MC200520650	8	48~50	SD0800422CP	16	5
BT0500300EA	18	54	MDP500B0900	8	48~50	SD0900701TP	18	61

NUMERICAL INDEX OF PARTS

PART NO	PAGE	REF NO.	PART NO	PAGE	REF NO.	PART NO	PAGE	REF NO.
SK3412000SC	36	5	SS4120615SP	10	38	SS7111810SP	14	54
SK3482500SC	36	41	SS4120615SP	28	35	SS7120760SP	6	46
SM0081001SD	38	5	SS4120615SP	30	25	SS7120760SP	12	20
SM4030601SN	30	20	SS4121015SP	2	21	SS7120760SP	28	36
SM4031501SC	28	8	SS4150915SP	2	16	SS7120910SP	16	15
SM4040655SP	28	3	SS4153015SP	28	29	SS7121410SP	16	7
SM4041655SP	28	7	SS5090610SP	4	62	SS7151210SP	28	24
SM4051405SE	40	9	SS5090610SP	24	9	SS7151610SP	24	16
SM4051405SE	42	16	SS6080320SP	30	23	SS7681750TP	6	39
SM6061610SC	40	3	SS6081810SP	18	47	SS8080610SP	24	7
SM6082502TP	14	69	SS6090630SP	2	38	SS8080660TP	8	63
SM8050502TP	16	44	SS6090670TP	16	1	SS8110410TP	24	30
SM8063012TR	38	13	SS6090810SP	12	33	SS8110510SP	24	34
SM9061203SE	38	22	SS6111140SP	2	58	SS8111010TP	24	21
SM9061853SR	38	14	SS6111140SP	4	58	SS8120740SP	2	24
SQ1110401MZ	32	63-64	SS6111210SP	6	26	SS8151150SP	12	14
SQ1110401MZ	34	63-64	SS6111610SP	32	35	SS8151150SP	18	51
SQ1150451MZ	32	39	SS6120940SP	26	63	SS8151150TP	6	9
SS2080810SP	24	1	SS6121212TP	24	13	SS8151550SP	6	25
SS2090710TP	2	37	SS6121610SP	32	12	SS8660530TP	6	36
SS2110920TP	2	39	SS6121610SP	36	8	SS8660530TP	12	75
SS2110920TP	24	27	SS6121610TP	18	60	SS8660530TP	14	75
SS2110930SP	24	28	SS6121610TP	24	54	SS8660610TP	16	12
SS2110930SP	32	29	SS6121610TP	26	54	SS8660810TP	12	6
SS3090520SP	30	33	SS6121840SP	28	38	SS8660810TP	20	42
SS3090610SP	2	19	SS6121860SP	16	23	SS8660810TP	24	32
SS4110515SP	14	66	SS6151040SP	26	58	SS8661030SP	12	18
SS4110515SP	22	47	SS6151220SP	24	38	SS8680540SP	6	13
SS4110515SP	36	33	SS6153040SP	12	38	SS8680810TP	6	40
SS4110615SP	10	37	SS6580752TP	16	34	SS8681650TP	6	38
SS4110615SP	32	24	SS6661110SP	6	16	SS8701782TP	32	19
SS4110715SP	20	29	SS6661110SP	16	29	SS9080410SP	24	8
SS4110715SP	32	26	SS7081310SP	36	38	SS9110543CP	2	35
SS4110815SP	2	4	SS7090510SP	10	28	SS9111010SP	2	34
SS4110815SP	14	58	SS7090710SP	24	12	SS9111010SP	26	50
SS4110815SP	16	25	SS7090910SP	8	55	SS9111010SP	28	21
SS4110815SP	34	57	SS7090910SP	32	32	SS9111010SP	30	30
SS4111015SP	4	64	SS7090910TP	20	45	SS9151440CP	16	40
SS4111015SP	20	33	SS7110510SP	18	64	TA0500601M0	14	82
SS4111215SP	20	31	SS7110710SP	14	73	TA0750404R0	2	12
SS4111215SP	32	15	SS7110710SP	16	30	TA0750704R0	2	15
SS4111215SP	36	7	SS7110710SP	28	15	TA1250406R0	2	55
SS4111815SP	32	3	SS7110840SP	36	29	TA1250406R0	4	55
SS4120615SP	2	57	SS7110910SP	18	55	WP0320501SC	30	4
SS4120615SP	4	57	SS7111310TP	18	49	WP0371016SD	12	34

NUMERICAL INDEX OF PARTS

PART NO	PAGE	REF NO.
WP0371016SD	30	34
WP0450801SD	6	27
WP0480856SP	36	39
WP0501016SC	36	40
WP0501016SD	10	18
WP0501016SD	26	64
WP0501016SD	28	20
WP0501016SD	36	10
WP0612056SD	28	31
WP0621016SD	16	41
WP0621016SD	28	26
WP0753016SZ	24	36
WP0850002SP	14	68
WP1612616SE	42	13
WP1702600S0	40	17
WS0310002KN	30	19
WS0451040KP	36	9
WS0510002KN	40	20
WS0610002KP	28	30
WS0631510KP	28	25
WS1643202KR	40	18
WT0530002KS	2	10