

MODEL : DSU-144N

List No : 1067-04

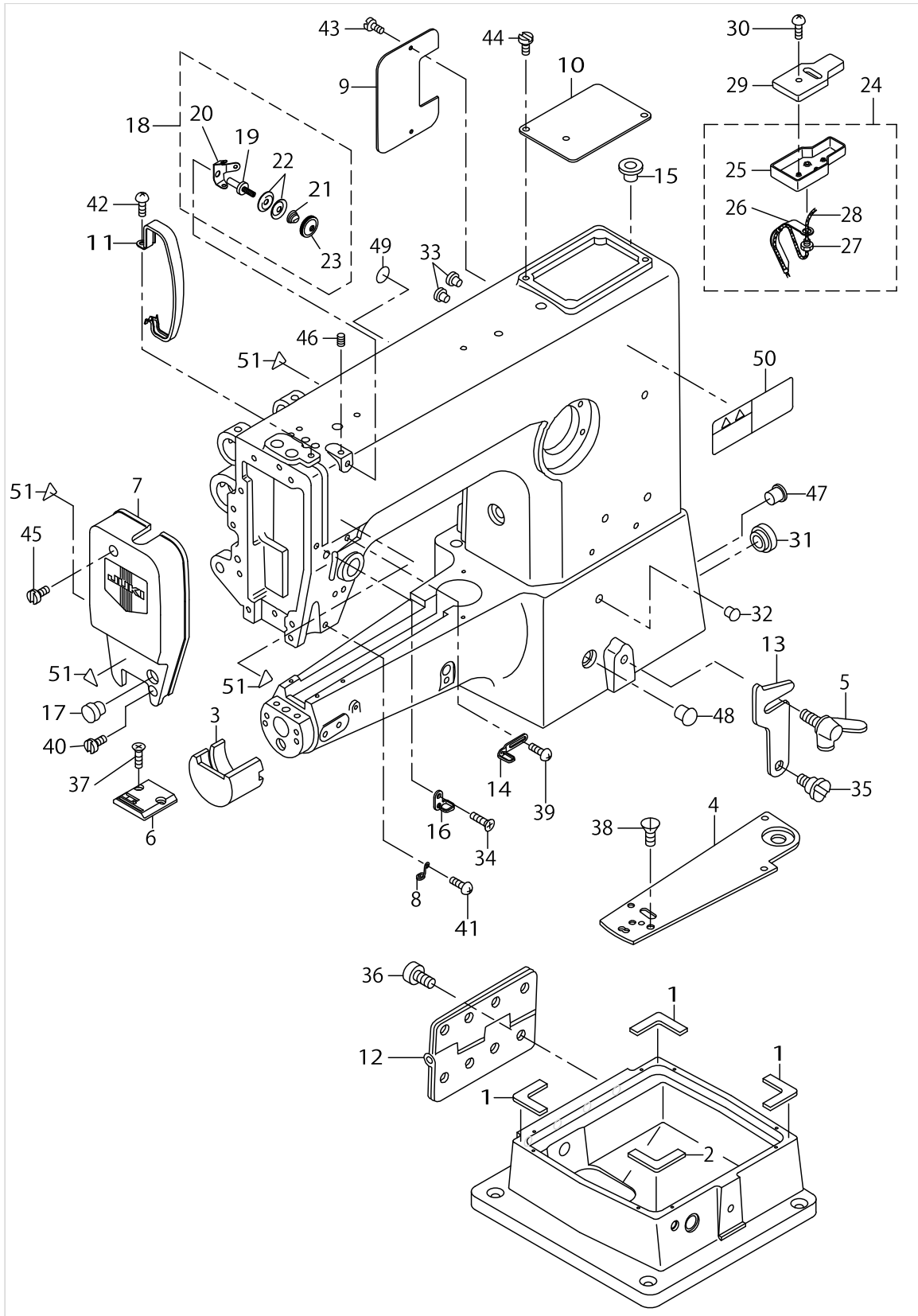
PARTS LIST

Published:09/10/2017

CONTENTS

FRAME & MISCELLANEOUS COVER COMPONENTS	1
MAIN SHAFT & ARM SHAFT COMPONENTS	5
NEEDLE BAR,THREAD TAKE-UP LEVER & PRESSER BAR COMPONENTS.....	7
FEED MECHANISM COMPONENTS.....	9
REVERSE FEED MECHANISM COMPONENTS (FOR DSU-144N-0B).....	13
HOOK DRIVING SHAFT COMPONENTS	15
UPPER FEED MECHANISM COMPONENTS	17
THREAD TENSION COMPONENTS	21
BELT COVER & BOBBIN WINDER COMPONENTS	23
THREAD STAND COMPONENTS.....	25
TABLE COMPONENTS	27
KNEE LIFTER COMPONENTS	29
ACCESSORIES PARTS COMPONENTS	31
EXCHANGING GAUGE PARTS (1).....	33
EXCHANGING GAUGE PARTS (2).....	35
OPTION COMPONENTS	37
LIST FOR INFORMATION OF CHANGE.....	39
HOW TO MAKE USE OF THIS PARTS LIST	40

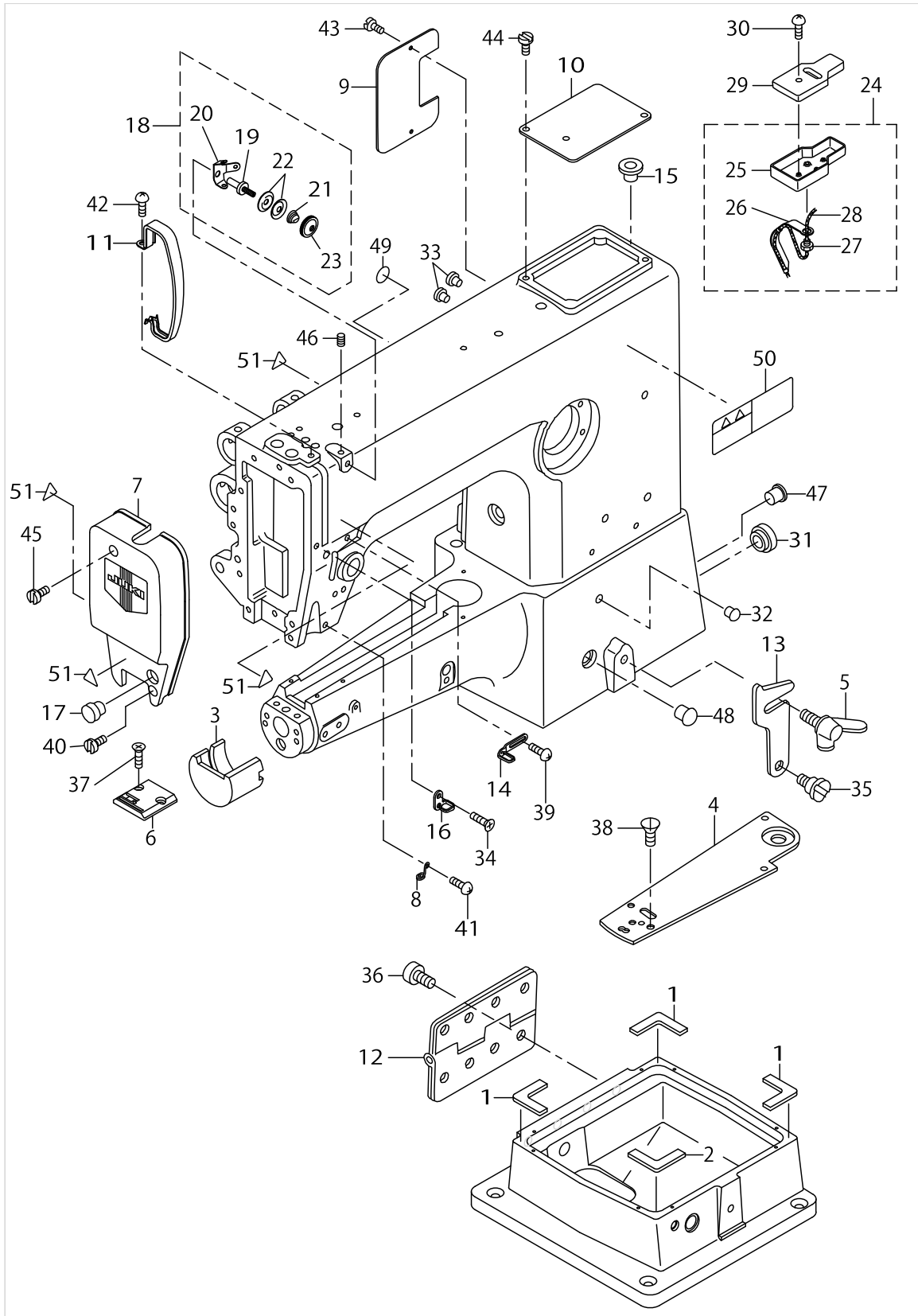
FRAME & MISCELLANEOUS COVER COMPONENTS



FRAME & MISCELLANEOUS COVER COMPONENTS

No.	Parts No.	Parts name	Remarks	Level	Cons	Qty
1	B118324500A	GASKET A				3
2	B118324500B	GASKET B				1
3	B1171145000	HOOK COVER				1
4	B1173145000	BED COVER				1
5	B1116246000	WING BOLT				1
6	21283502	THROAT PLATE				1
7	22860654	FACE PLATE ASM.				1
8	B1129141H00	THREAD GUIDE				1
9	B1118141H0AA	SIDE PLATE				1
10	40032259	SIDE COVER				1
11	11415205	THREAD TAKE-UP LEVER COVER(JE)				1
12	B1128246000	HINGE				1
13	B1117246000	HOOK				1
14	D1126560E00A	ARM THREAD GUIDE A				1
15	B1156115000	RUBBER PLUG				2
16	B1131141H00	FRAME THREAD GUIDE B				1
17	TA1250406R0	RUBBER PLUG D=12.5 L=4				1
18	D3161560EA0	TENSION POST ASM.				1
19	D3161555B00	FIRST TENSION POST		*		1
20	D3162560E00	THREAD GUIDE		*		1
21	D3168555H0B	SPRING		*		1
22	B3214047000	BOBBIN WINDER TENSION DISC		*		2
23	B3216047000	BOBBIN WINDER TENSION NUT		*		1
24	B35031450A0	OIL RESERVOIR ASM.				1
25	B3503201000	OIL RESERVOIR		*		1
26	B3527012000	HOLDER		*		1
27	B3515201000	CLAMP SLEEVE NUT		*		1
28	CQ202000000	OIL WICK		*		1
29	B3504201000	OIL FELT				1
30	SS7112420SP	SCREW 11/64-40 L=24				1
31	TA2100904R0	RUBBER PLUG				1
32	TA0750704R0	RUBBER PLUG				1
33	TA0550604R0	RUBBER PLUG				2
34	SS2090710TP	SCREW 9/64-40 L=7.2				1
35	SD0800352SP	HINGE SCREW D=8 H=3.5				1
36	SM6081552TP	SCREW M8 L=15				8
37	SS2110915SP	SCREW 11/64-40 L=8.5				2
38	SS2090710TP	SCREW 9/64-40 L=7.2				3
39	SS5090610SP	SCREW 9/64-40 L=6				1
40	SS6111610SP	SCREW 11/64-40 L=16				1
41	SS7090620TP	SCREW 9/64-40 L=6.1				1
42	SS7110510SP	SCREW 11/64-40 L=5				1
43	SS7110710SP	SCREW 11/64-40 L=7				2
44	SS7110710SP	SCREW 11/64-40 L=7				2
45	SS7112420SP	SCREW 11/64-40 L=24				1
46	SS8110410TP	SCREW 11/64-40 L=3.5				1
47	TA1120804R0	RUBBER PLUG				1

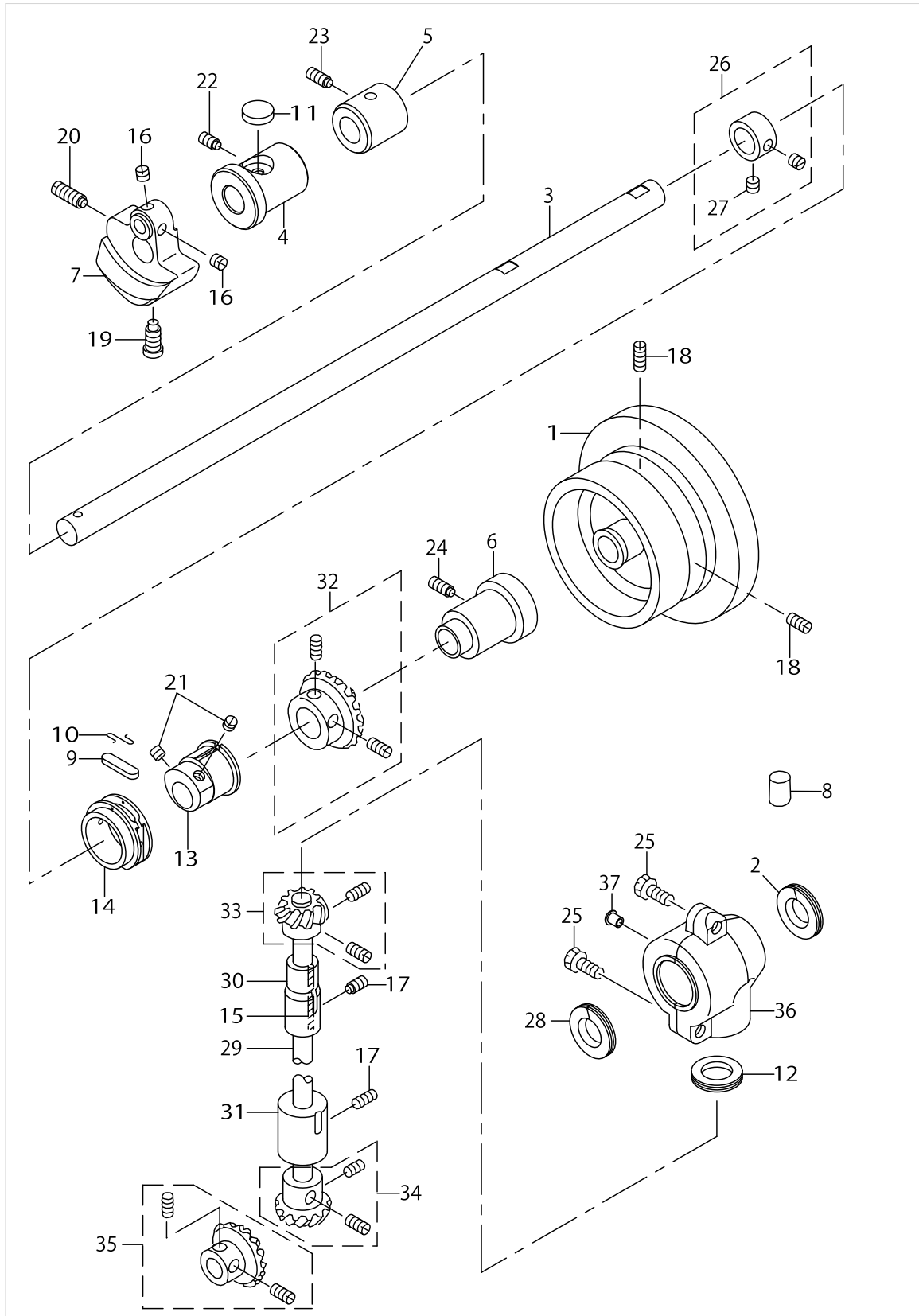
FRAME & MISCELLANEOUS COVER COMPONENTS



FRAME & MISCELLANEOUS COVER COMPONENTS

No.	Parts No.	Parts name	Remarks	Level	Cons	Qty
48	TA1050504R0	RUBBER PLUG				1
49	22901805	GROUND MARK				1
50	CM301300001	SAFETY LABEL				1
51	CM300200001	ATTENTION SEAL				4

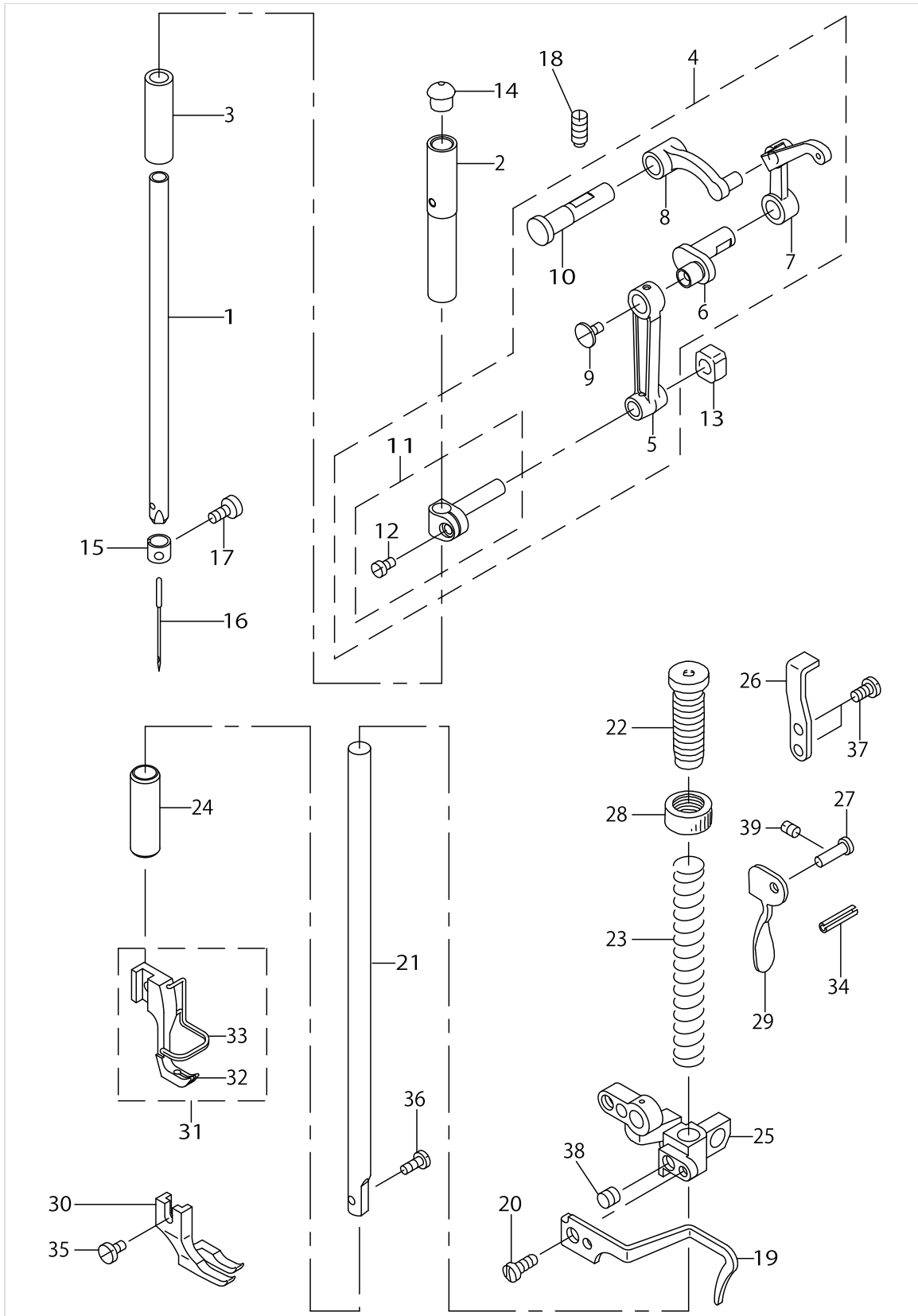
MAIN SHAFT & ARM SHAFT COMPONENTS



MAIN SHAFT & ARM SHAFT COMPONENTS

No.	Parts No.	Parts name	Remarks	Level	Cons	Qty
1	22860704	HAND WHEEL				1
2	B1311012000	OIL SEAL (B)				1
3	D1201141E00A	MAIN SHAFT				1
4	B1202141H0A	MAIN SHAFT BUSHING (FRONT)				1
5	B1203141H00	MAIN SHAFT BUSHING INTERMEDIA				1
6	21205109	REAR BUSHING				1
7	D1206141E00	COUNTERWEIGT				1
8	B3517009000	OIL FELT REAR				1
9	B1212012000	OIL FELT				1
10	B1213012000	FELT RETAINER				1
11	B1203051000	OIL FELT				1
12	B1312012000	OIL SEAL (C)				1
13	B1211141H00	FEED ECCENTRIC CAM				1
14	B1211226000	ECCENTRIC RETAINER HOUSING				1
15	CQ202000000	OIL WICK				1
16	SS8660610TP	SCREW 1/4-40 L=6				2
17	SS8151550SP	SCREW 15/64-28 L=15				2
18	SS8151550SP	SCREW 15/64-28 L=15				2
19	SS7681750TP	SCREW 9/32-28 L=16.5				1
20	SS8681950SP	SCREW 9/32-28 L=19				1
21	SS8150710TP	SCREW 15/64-28 L=7				2
22	SS8151150SP	SCREW 15/64-28 L=10.5				1
23	SS8151550SP	SCREW 15/64-28 L=15				1
24	SS8151550SP	SCREW 15/64-28 L=15				1
25	SS9181520CP	SCREW 9/32-20 L=15.0				2
26	22904155	MAIN SHAFT THRUST COLLAR ASM.				1
27	SS8660610TP	SCREW 1/4-40 L=6		*		2
28	B1310012000	OIL SEAL (A)				1
29	B1301145000	UPRIGHT SHAFT				1
30	B1302201000	BUSHING UPPER				1
31	B1303271000	UPRIGHT SHAFT BUSHING LOWER				1
32	B13050120A0	GEAR ASM.				1
33	B13061550A0	PINION ASM.				1
34	B13071550A0	GEAR ASM. LARGE				1
35	B13081550A0	PINION ASM.				1
36	B1308012000	GEAR CASE				1
37	TA0550604R0	RUBBER PLUG				1

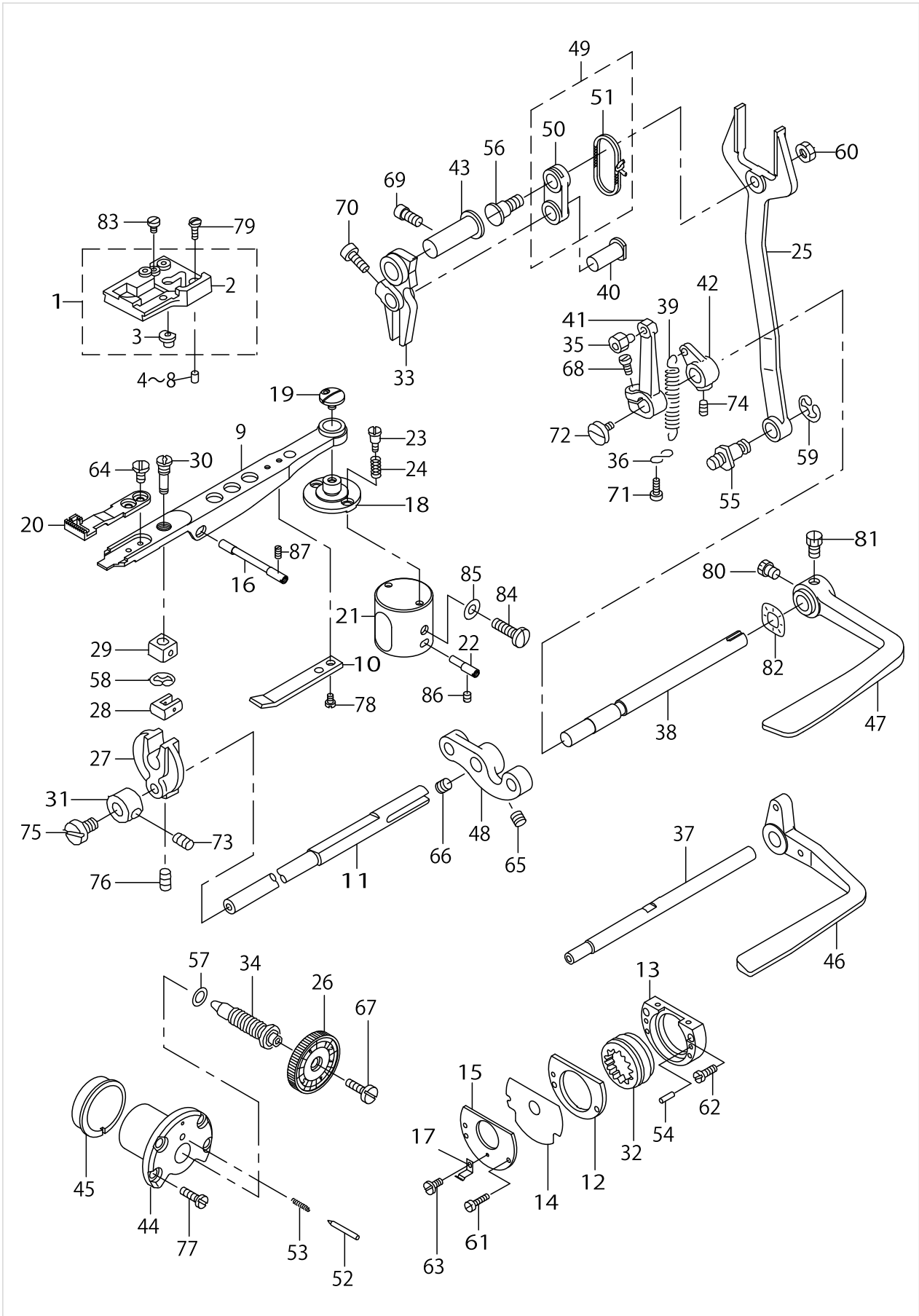
NEEDLE BAR, THREAD TAKE-UP LEVER & PRESSER BAR COMPONENTS



NEEDLE BAR,THREAD TAKE-UP LEVER & PRESSER BAR COMPONENTS

No.	Parts No.	Parts name	Remarks	Level	Cons	Qty
1	22861108	NEEDLE BAR				1
2	22906101	NEEDLE BAR BUSHING UPPER				1
3	D1403141E00	NEEDLE BAR BUSHING LOWER				1
4	22861256	BALANCE ASM.				1
5	22861207	NEEDLE BAR CRANK ROD		*		1
6	21108204	NEEDLE BAR CRANK		*		1
7	B1901141H00	THREAD TAKE-UP LEVER		*		1
8	B1902115000	THREAD TAKE-UP CRANK		*		1
9	B1903141H00	END SCREW LEFT		*		1
10	B1904115000	THREAD TAKE-UP CRANK SHAFT STUD		*		1
11	B14115520A0	NEEDLE ROD HOLDER ASM.		*		1
12	SS6090670TP	SCREW 9/64-40 L=6		*		1
13	B1414555000	SQUARE BLOCK				1
14	22901409	NEEDLE BAR UPPER BUSH CAP				1
15	D1418141E00	NEEDLE BAR THREAD GUIDE				1
16	M13517B1600	NEEDLE 135X17 #160				1
17	SS7080510TP	SCREW 1/8-44 L=4.5				1
18	SS8151550SP	SCREW 15/64-28 L=15				1
19	21286802	THREAD GUIDE				1
20	SS6110610TP	SCREW 11/64-40 L=6				1
21	B1501141H00	PRESSER BAR				1
22	B1509141H00	PRESSER SPRING REGULATOR				1
23	B1510141H00	PRESSER SPRING				1
24	B1510155000	PRESSER BAR LOWER BUSHING				1
25	21103304	PRESSER BAR GUIDE BRACKET				1
26	B1515141H00	LIFTING LEVER				1
27	B1513141H00	HAND LIFTER SHAFT				1
28	22907604	PRESSER SPRING REGULATOR NUT				1
29	B1512141H00	HAND LIFTER				1
30	B1526145000	PRESSURE FOOT				1
31	D1525141EA0	PRESSER FOOT ASM.				1
32	D1525141E00	PRESSER FOOT BOTTOM		*		1
33	B1421141H00	FINGER GUARD		*		1
34	PS0300132KH	SPRING PIN 3X13				1
35	SS7090610SP	SCREW 9/64-40 L=6				1
36	SS7091110SP	SCREW 9/64-40 L=10.5				1
37	SS7110840SP	SCREW 11/64-40 L=7.8				2
38	SS8660610TP	SCREW 1/4-40 L=6				1
39	SS8110750SP	SCREW 11/64-40 L=6.5				1

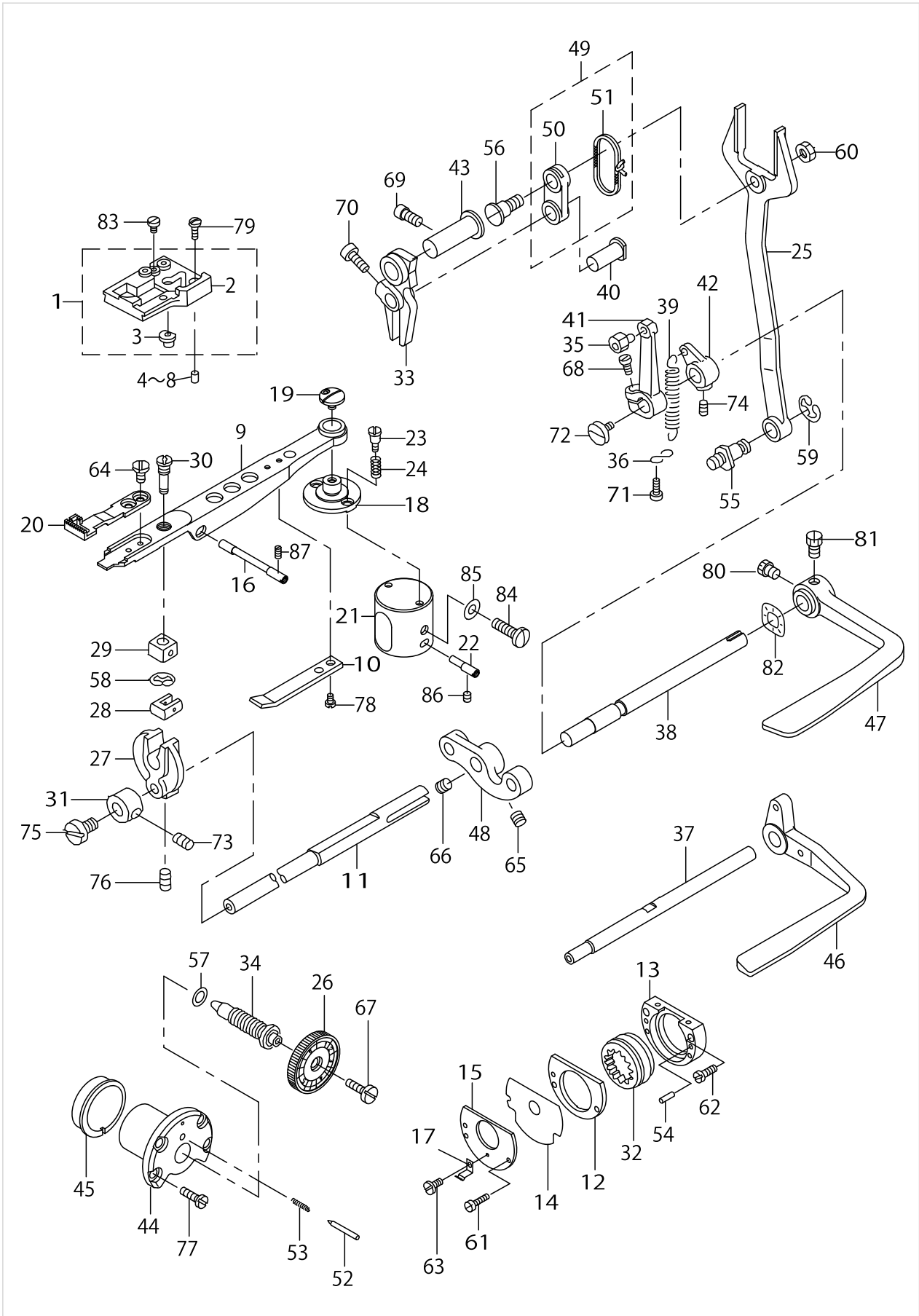
FEED MECHANISM COMPONENTS



FEED MECHANISM COMPONENTS

No.	Parts No.	Parts name	Remarks	Level	Cons	Qty
1	B16301450A0A	THROAT PLATE BASE ASM.				1
2	B1630145000A	THROAT PLATE BASE		*		1
3	B1631245000	PIN BUSHING		*		1
4	B163214500J	PIN	SELECTIVE PARTS			1
5	B163214500H	PIN	SELECTIVE PARTS			1
6	B163214500G	PIN	SELECTIVE PARTS			1
7	B163214500F	PIN				1
8	B163214500E	VERTICAL FEED PIN	SELECTIVE PARTS			1
9	22861405	FEED BAR				1
10	B1633245000	SPRING				1
11	B1601145000	FEED ROCK SHAFT				1
12	B1634145000	FEED DRIVING CAM HOLDER A				1
13	B1635145000	FEED DRIVING CAM HOLDER B				1
14	B1636145000	FEED DRIVING CAM HOLDER WASHER				1
15	B1637145000	FEED DRIVING CAM HOLDER PLATE				1
16	22861801	SCREW STUD				1
17	B1172245000	HOOK COVER HOLDER				1
18	B1639145000	FEED BAR STUD				1
19	B1640145000	FEED BAR SLIDE SCRER STUD				1
20	21284005	FEED DOG				1
21	22861504	FEED BAR HINGE STUD BASIS				1
22	22861603	FEED ADJUSTING SHAFT				1
23	B1641245000	HINGE SCREW				2
24	B1642245000	SPRING				2
25	B1614145000	PITMAN				1
26	B16231450A0	STITCH DIAL				1
27	B1603145000	FEED ROCKER				1
28	B1643145000	FEED BAR SLIDE BLOCK A				1
29	B1644245000	FEED BAR SLIDE BLOCK B				1
30	B1645245000	FEED BAR SLIDE SCREW STUD				1
31	B1646245000	THRUST COLLAR				1
32	B1647145000	FEED DRIVING CAM				1
33	B1620145000	FEED REGULATOR				1
34	B1634141H00A	STITCH LENGTH REGULATING SCREW				1
35	B16331220A0	CRANK SLIDE BLOCK STUD ASM.				1
36	B1648122000	SUSPENSION HOOK (B)				1
37	D1621141E00	LEVER SHAFT	FORDSU-144N-OB			1
38	B1621141H00A	CONTROL LEVER SHAFT				1
39	B1646201000	TENSION SPRING				1
40	B1618226000	HINGE PIN				1
41	B16272260A0	CONTROL LEVER CRANK ASM.				1
42	B1647226000	SUSPENSION BRACKET (A)				1
43	B1622141H00	HINGE PIN				1
44	B1636141H0A	STITCH DIAL BASE				1
45	B1637141H00	ECCENTRIC BUSHING				1
46	D1624141E0A	REVERSE FEED CONTROL LEVER	FORDSU-144N-OB			1
47	B1624141H0A	FEED LEVER				1

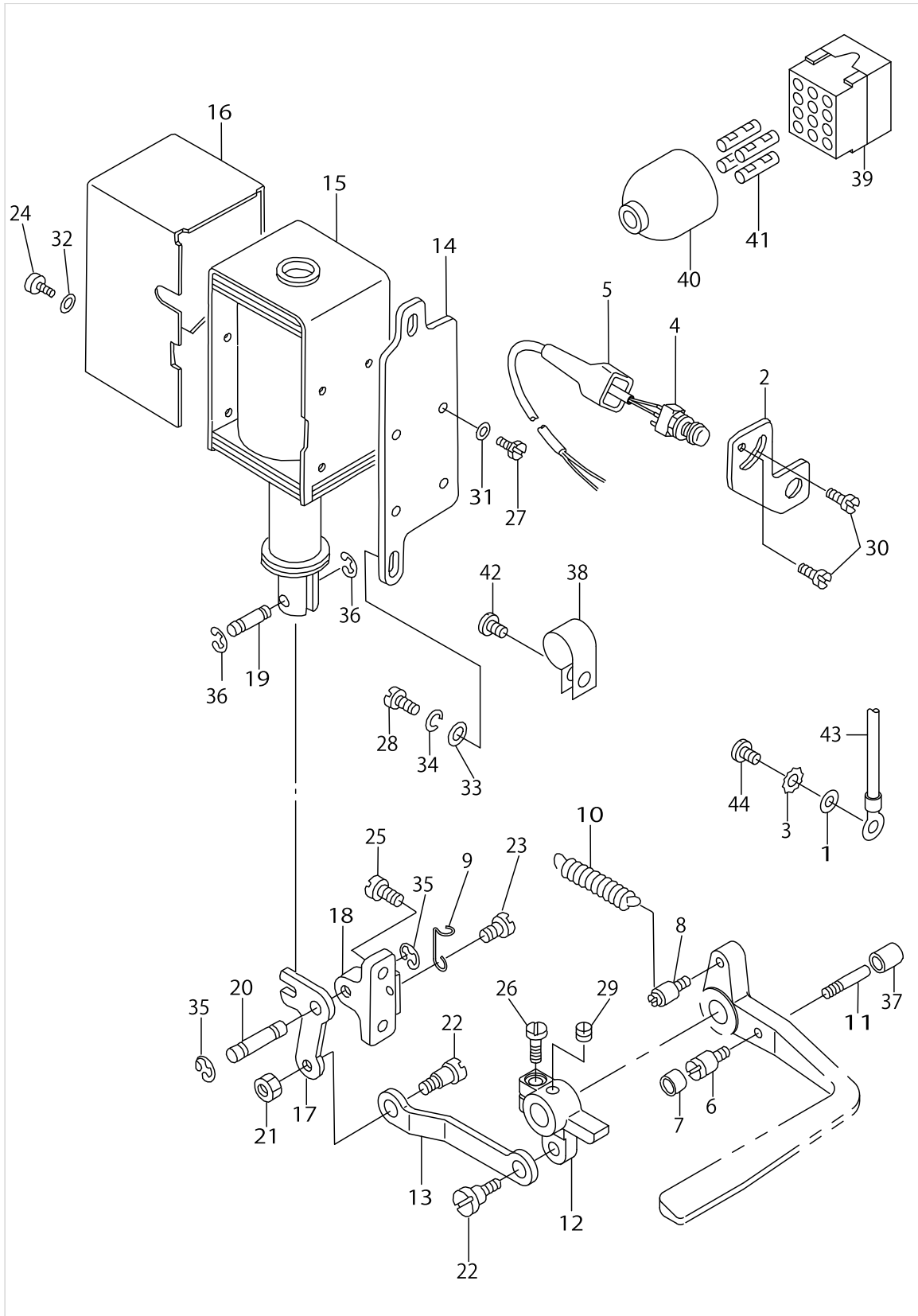
FEED MECHANISM COMPONENTS



FEED MECHANISM COMPONENTS

No.	Parts No.	Parts name	Remarks	Level	Cons	Qty
48	B1605145000	FEED ROCK SHAFT CRANK				1
49	B16191150A0	REGULATOR CONNECTING LINK ASM.				1
50	B1619115000	FEED REGULATOR CONNECTING LINK		*		1
51	CQ200000000	OIL WICK		*		1
52	B1147141H00	PIN				1
53	B1148141H00	SPRING				1
54	B1660145000	SPRING PIN				2
55	B1424158000	HINGE SCREW				1
56	SD0950802SH	HINGE SCREW D=9.53 H=8				1
57	RO074240100	RUBBER RING				1
58	RE0300000K0	E-RING 3				1
59	RE0700000K0	E-RING 7				1
60	NS6680410SP	NUT 9/32-28				1
61	SS6081210SP	SCREW 1/8-44 L=12				2
62	B1651245000	SCREW				2
63	SS6060210SP	SCREW 3/32-56 L=1.9				1
64	B1652245000	SCREW				2
65	SS8150830SP	SCREW				1
66	SS8150710SP	SCREW 15/64-28 L=7				1
67	SS6121050SP	SCREW 3/16-28 L=9.5				1
68	SS6121210SP	SCREW 3/16-28 L=12				1
69	SS6151220SP	SCREW 15/64-28 L=11.5				1
70	SS6661110SP	SCREW 1/4-40 L=11				1
71	SS7091110SP	SCREW 9/64-40 L=10.5				1
72	SS7620750SP	SCREW 3/16-32 L=6.5				2
73	SS8110410TP	SCREW 11/64-40 L=3.5				2
74	SS8150710SP	SCREW 15/64-28 L=7				1
75	SS5110710SP	SCREW 11/64-40 L=7				1
76	SS8701042TP	SCREW 5/16-24 L=10.0				1
77	B1638141H00	SCREW				4
78	SS7080520SP	SCREW 1/8-44 L=4.9				2
79	SS2090810SP	SCREW 9/64-40 L=7.5				2
80	SS9660720SP	SCREW 1/4-40 L=7				1
81	SS9660910SP	SCREW 1/4-40 L=9.4				1
82	WZ1052010KP	WAVED WASHER				1
83	SS6090610SP	SCREW 9/64-40 L=5.5				2
84	SS7152040SP	SCREW 15/64-28 L=20.0				1
85	WP0651056SD	WASHER 6.5X11X1				1
86	SS8110510SP	SCREW 11/64-40 L=5				1
87	SS8090710SP	SCREW 9/64-40 L=7.0				1

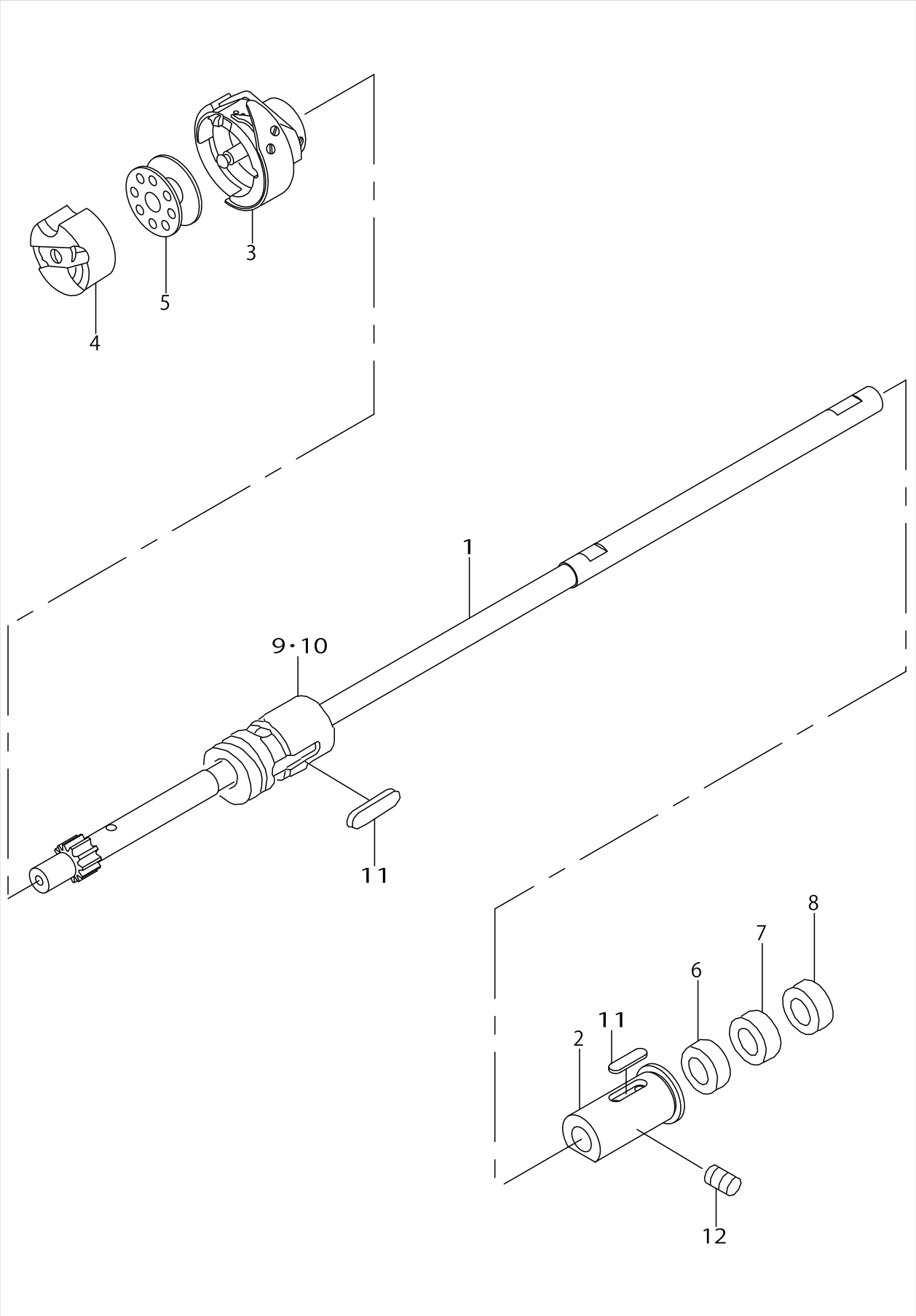
REVERSE FEED MECHANISM COMPONENTS (FOR DSU-144N-0B)



REVERSE FEED MECHANISM COMPONENTS (FOR DSU-144N-0B)

No.	Parts No.	Parts name	Remarks	Level	Cons	Qty
1	WP0501016SD	WASHER 5X10.5X1				1
2	D1681141E0A	PLATE				1
3	WT0530002KS	TOOTHED WASHER D=5.3				1
4	D1680141EA0	TOUCH BUCK SWITCH ASM				1
5	MAT81126T00	2-POLE PLUG COVER				1
6	B1114280000	PIN				1
7	10119907	CUSHION				1
8	10120004	SPRING SUSPENSION				1
9	D1682141E00	SUSPENSION HOOK B				1
10	D1685141E00	LEVER SPRING				1
11	B2733761000	PIN				1
12	D1683141E00	CONNECTING ARM				1
13	D1686141E00	REVERSE FEED ROD				1
14	10119204	SOLENOID INSTALLING PLATE				1
15	10119105	REVERSE FEED SOLENOID AC24V				1
16	10161305	SOLENOID COVER				1
17	10119402	LINK				1
18	D1684141E00A	LINK INSTALLING BASE				1
19	D2464555B00	LINK DRIVING MAGNET PIN				1
20	D1687141E00	PIN				1
21	NS6150430SP	NUT 15/64-28				1
22	SD0720331SP	HINGE SCREW D=7.24 H=3.3				2
23	SS7090710SP	SCREW 9/64-40 L 6.8				1
24	SS7110710SP	SCREW 11/64-40 L=7				4
25	SS7151210SP	SCREW 15/64-28 L=12				2
26	SS7121410SP	SCREW 3/16-28 L=14				1
27	SS9111010SP	SCREW 11/64-40 L=9.5				4
28	SS7151210SP	SCREW 15/64-28 L=12				2
29	SS8150510TP	SCREW 15/64-28 L 4.7				1
30	SS7110710SP	SCREW 11/64-40 L=7				2
31	WP0501016SD	WASHER 5X10.5X1				4
32	WP0501016SD	WASHER 5X10.5X1				4
33	WP0621016SD	WASHER 6.2X13X1				2
34	WS0631510KP	SPRING WASHER				2
35	RE0600000K0	E-RING 6				2
36	RE0400000K0	E-RING 4				2
37	BP300000000	VINYL PIPE				1
38	D2120555C00	CORD PRESSER (120V)				2
39	M9640110000	12-POLE PLUG				1
40	M9637110000	12-POLE PLUG COVER				1
41	D6043555B00	PIN TERMINAL MALE				4
42	SS7110710SP	SCREW 11/64-40 L=7				2
43	B60375050A0	GROUND WIRE ASM.				1
44	SS7110710SP	SCREW 11/64-40 L=7				1

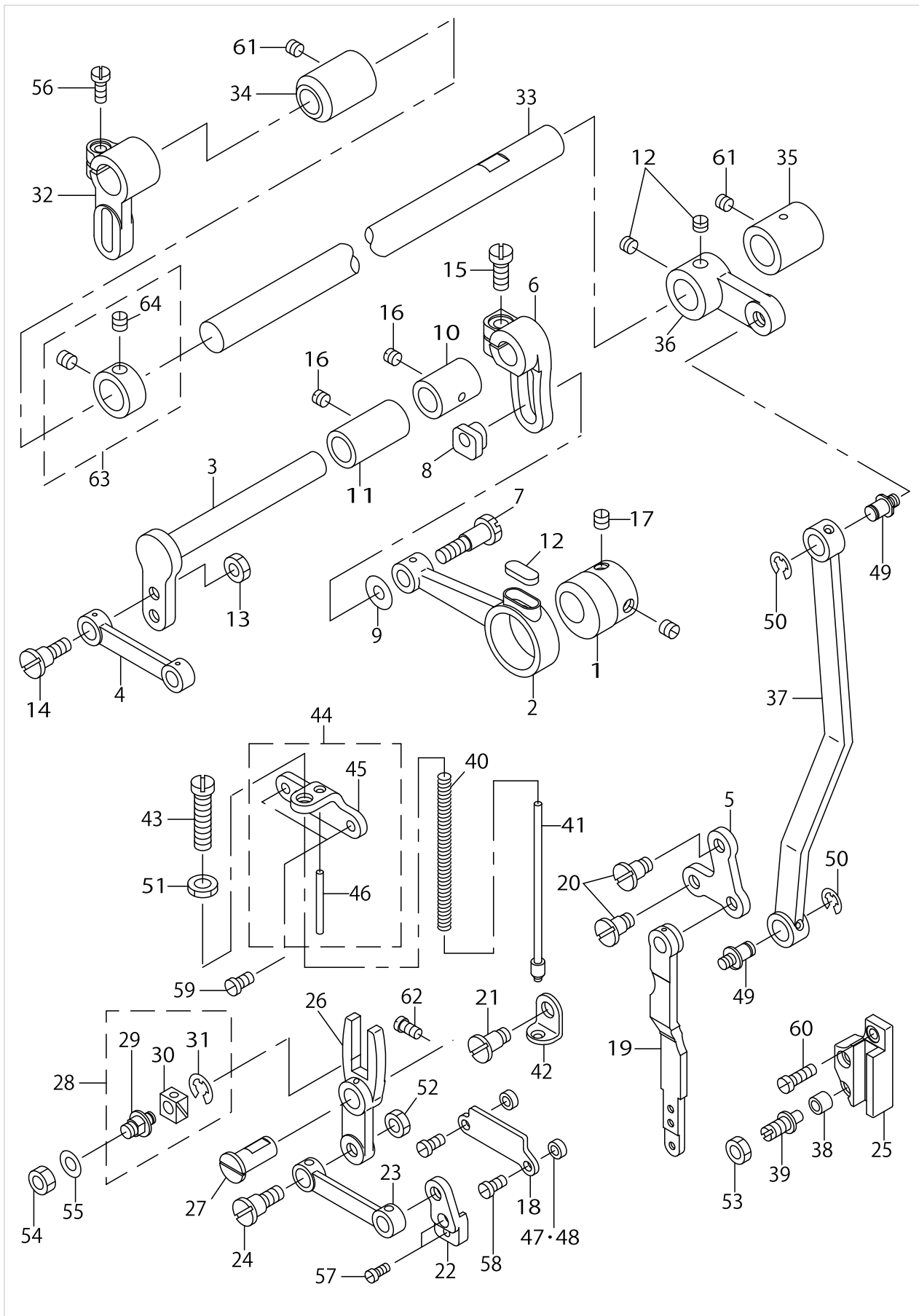
HOOK DRIVING SHAFT COMPONENTS



HOOK DRIVING SHAFT COMPONENTS

No.	Parts No.	Parts name	Remarks	Level	Cons	Qty
1	21286000	LOWER SHAFT				1
2	21208707	BUSHING REAR				1
3	B1830201SA0	SEWING HOOK ASM.				1
4	D1837141EA0	BOBBIN CASE ASM.				1
5	B9117201000	BOBBIN				1
6	B183924500A	THRUST PLATE	SELECTIVE PARTS			1
7	B183924500B	THRUST PLATE				1
8	B183924500C	THRUST PLATE	SELECTIVE PARTS			1
9	21136205	BUSHING FRONT				1
10	21136304	BUSHING FRONT	SELECTIVE PARTS			1
11	B1806038000	OIL FELT				2
12	SS8151550SP	SCREW 15/64-28 L=15				1

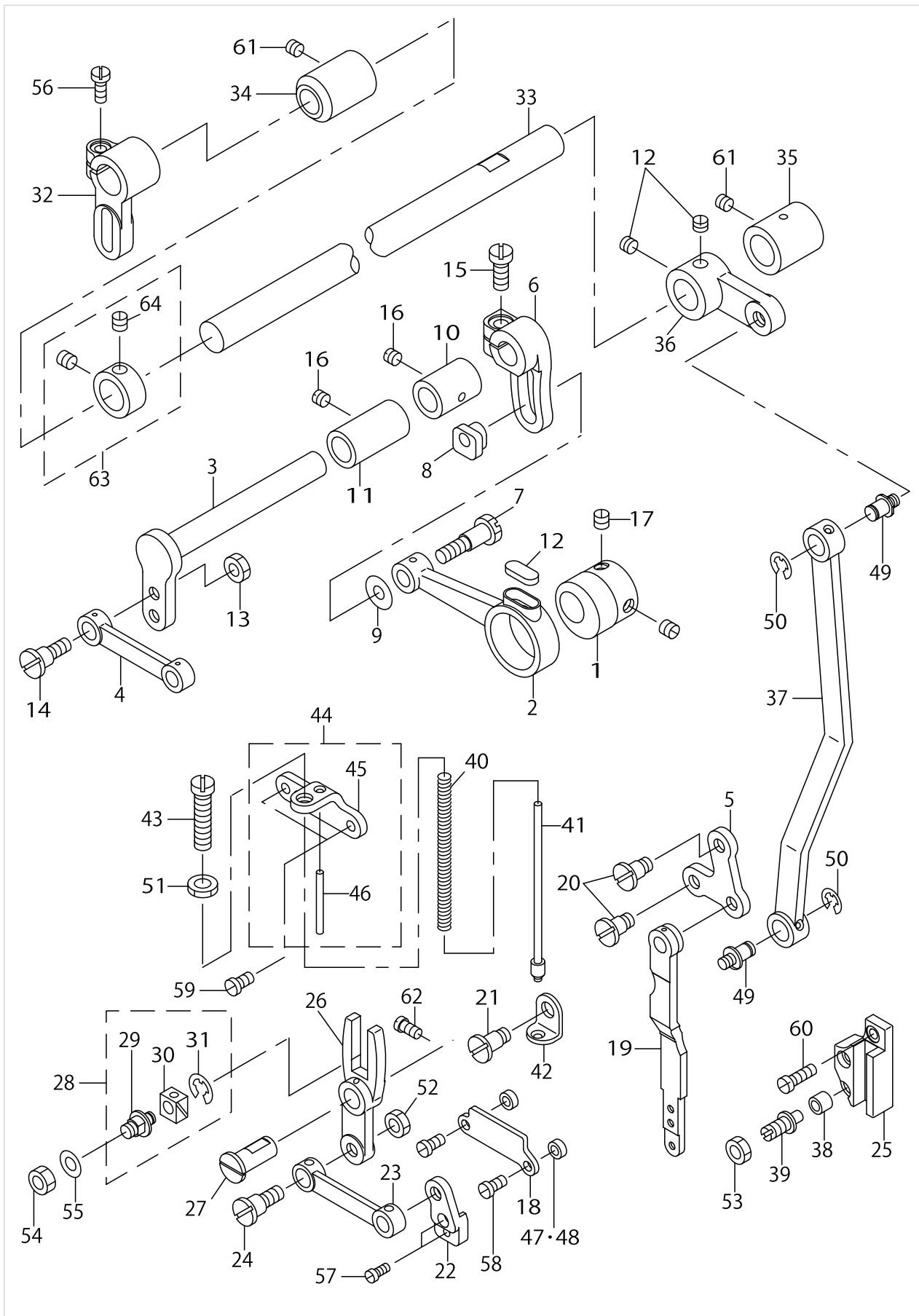
UPPER FEED MECHANISM COMPONENTS



UPPER FEED MECHANISM COMPONENTS

No.	Parts No.	Parts name	Remarks	Level	Cons	Qty
1	B3001141H00	FEED DRIVE ECCENTRIC CAM				1
2	B3002141H00	CRANK CONNECTING ROD				1
3	21109806	UPPER FEED SHAFT				1
4	B3005141H00	CONNECTING LINK				1
5	22861900	PLATE				1
6	B3007141H00	UPPER FEED SPRING ROD				1
7	B3008141H00	HINGE SCREW				1
8	B3009141H0A	NUT				1
9	B3010141H00	WASHER				1
10	B3011141H00	BUSHING				1
11	B3011141H0A	BUSHING FRONT				1
12	SS8660530TP	SCREW 1/4-40 L=4.5				2
13	NS6150310SP	NUT 15/64-28				1
14	SD0850751SP	HINGE SCREW D=8.50 H=7.5				1
15	SS6151440SP	SCREW 15/64-28 L=14				1
16	SS8150510TP	SCREW 15/64-28 L=4.7				2
17	SS8660610TP	SCREW 1/4-40 L=6				2
18	B3012141H00A	WALKING BAR DRIVING LINK				1
19	B3014141H00B	L-SHAPED ROD				1
20	B3015141H00	HINGE SCREW				3
21	B3016141H00	HINGE SCREW B				1
22	22862007	HOLDER				1
23	B3005141H00	CONNECTING LINK				1
24	SD0850751SP	HINGE SCREW D=8.50 H=7.5				1
25	B3020141H00	SLIDE BLOCK GUIDE				1
26	B3038141H00	SLIDE FORK				1
27	21272802	BRANCH LINK SHAFT				1
28	B3023141HA0A	SLIDE BLOCK ASM.				1
29	B3023141H00A	SLIDE BLOCK PIN		*		1
30	B3024141H00	SLIDE BLOCK		*		1
31	RE0400000K0	E-RING 4		*		1
32	B3025141H00A	CONNECTING ARM				1
33	B3026141H00	UPPER FEED DRIVING SHAFT				1
34	10106102	BUSHING				1
35	B3028141H00	BUSHING REAR				1
36	B3029145000	CRANK				1
37	B3030145000	NEEDLE BAR FRAME ROD				1
38	B3031141H00	CONNECTING STUD				1
39	B3032141H00	CONNECTING STUD SHAFT				1
40	B3033141H00	SPRING				1
41	B3034141H00	SPRING POLE				1
42	B3035141H00	RETAINING PLATE				1
43	B3036141H00	ADJUSTING THUMB SCREW				1
44	22862155	UPPER FEED PRESSER SPRING BASE				1
45	22862106	STAND		*		1
46	PS0300201KP	SPRING PIN 3.0X20		*		1
47	B3013141H0A	WASHER				2

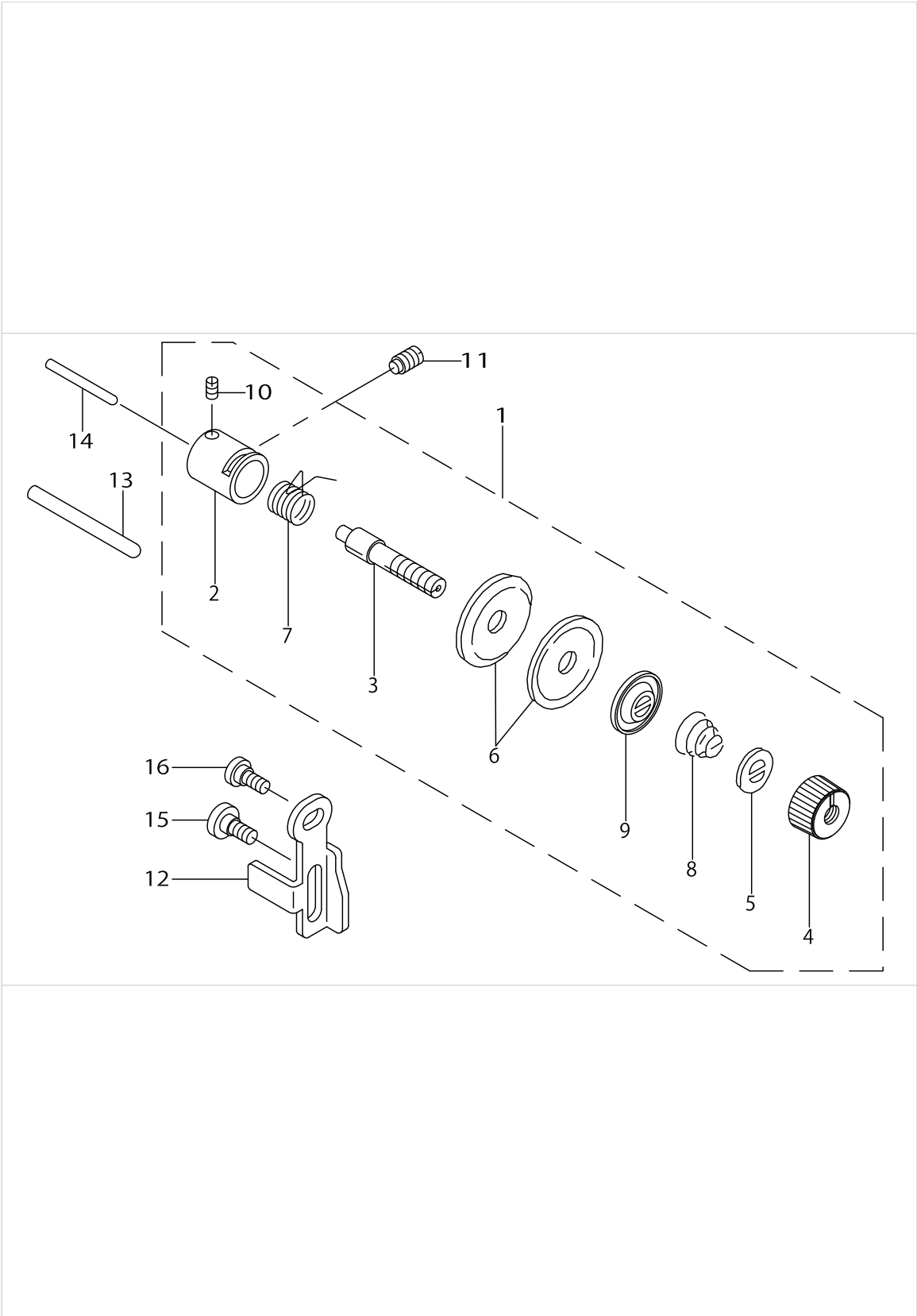
UPPER FEED MECHANISM COMPONENTS



UPPER FEED MECHANISM COMPONENTS

No.	Parts No.	Parts name	Remarks	Level	Cons	Qty
48	B3013141H0B	WASHER	SELECTIVE PARTS			2
49	B1424158000	HINGE SCREW				2
50	RE0700000K0	E-RING 7				2
51	NS6680320SP	NUT 9/32-28				1
52	NS6150310SP	NUT 15/64-28				1
53	NS6660430SP	NUT 1/4-40				1
54	NS6160520SP	NUT 1/4-24				1
55	WP0650876SD	WASHER 6.5X13X0.8				1
56	SS6121210SP	SCREW 3/16-28 L=12				1
57	SS6090810SP	SCREW 9/64-40 L=7.5				2
58	SS7110910SP	SCREW 11/64-40 L=8.5				2
59	SS7111120SP	SCREW 11/64-40 L=10.5				2
60	SS7111410TP	SCREW 11/64-40 L=14				3
61	SS8150750SP	SCREW 15/64-28 L=7				2
62	SS7120910TP	SCREW 3/16-28 L=9				1
63	22904155	MAIN SHAFT THRUST COLLAR ASM.				1
64	SS8660610TP	SCREW 1/4-40 L=6			*	2

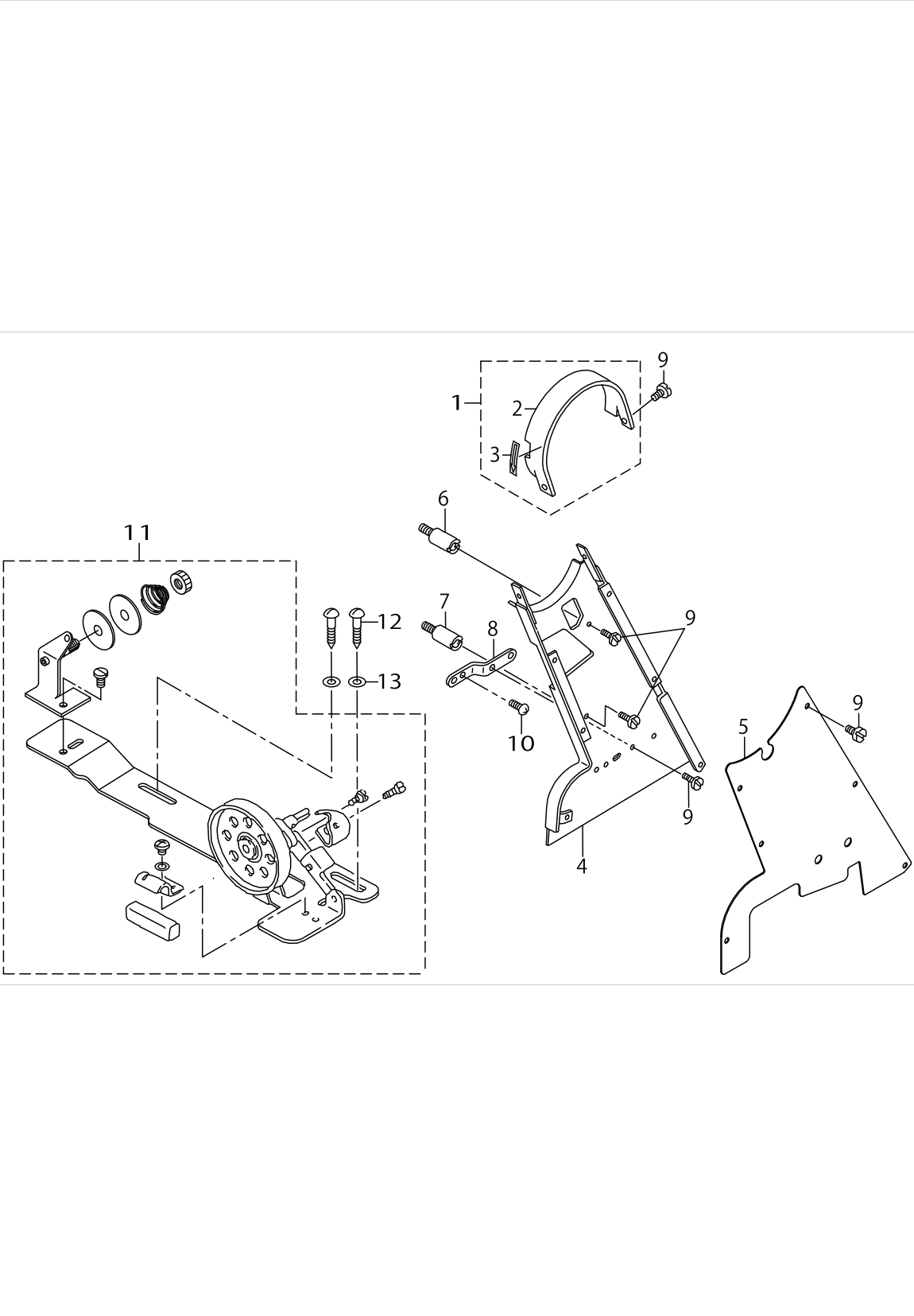
THREAD TENSION COMPONENTS



THREAD TENSION COMPONENTS

No.	Parts No.	Parts name	Remarks	Level	Cons	Qty
1	D3111141EAA	THREAD TENSION ASM.				1
2	B3111126000	TENSION POST SOCKET		*		1
3	B3115552000	TENSION POST		*		1
4	11072204	TENSION NUT		*		1
5	B3120125000	ROTATING STOPPER		*		1
6	B3126012000	THREAD TENSION DISK		*		2
7	B3128012000	TAKE-UP SPRING		*		1
8	B3129053000	TENSION SPRING		*		1
9	B3132552000	THREAD TENSION DISK PRESSER		*		1
10	SS8090670SP	SCREW 9/64-40 L=5.5		*		1
11	SS8150710SP	SCREW 15/64-28 L=7				1
12	B3134141H00	TENSION RELEASE PLATE				1
13	B3127127000	THREAD RELEASE AUXILIARY PIN				1
14	B3118552F00	TENSION RELEASING PIN				1
15	SD0600271SP	HINGE SCREW D=6 H=2.7				1
16	SD0600321SP	HINGE SCREW D=6 H=3.2				1

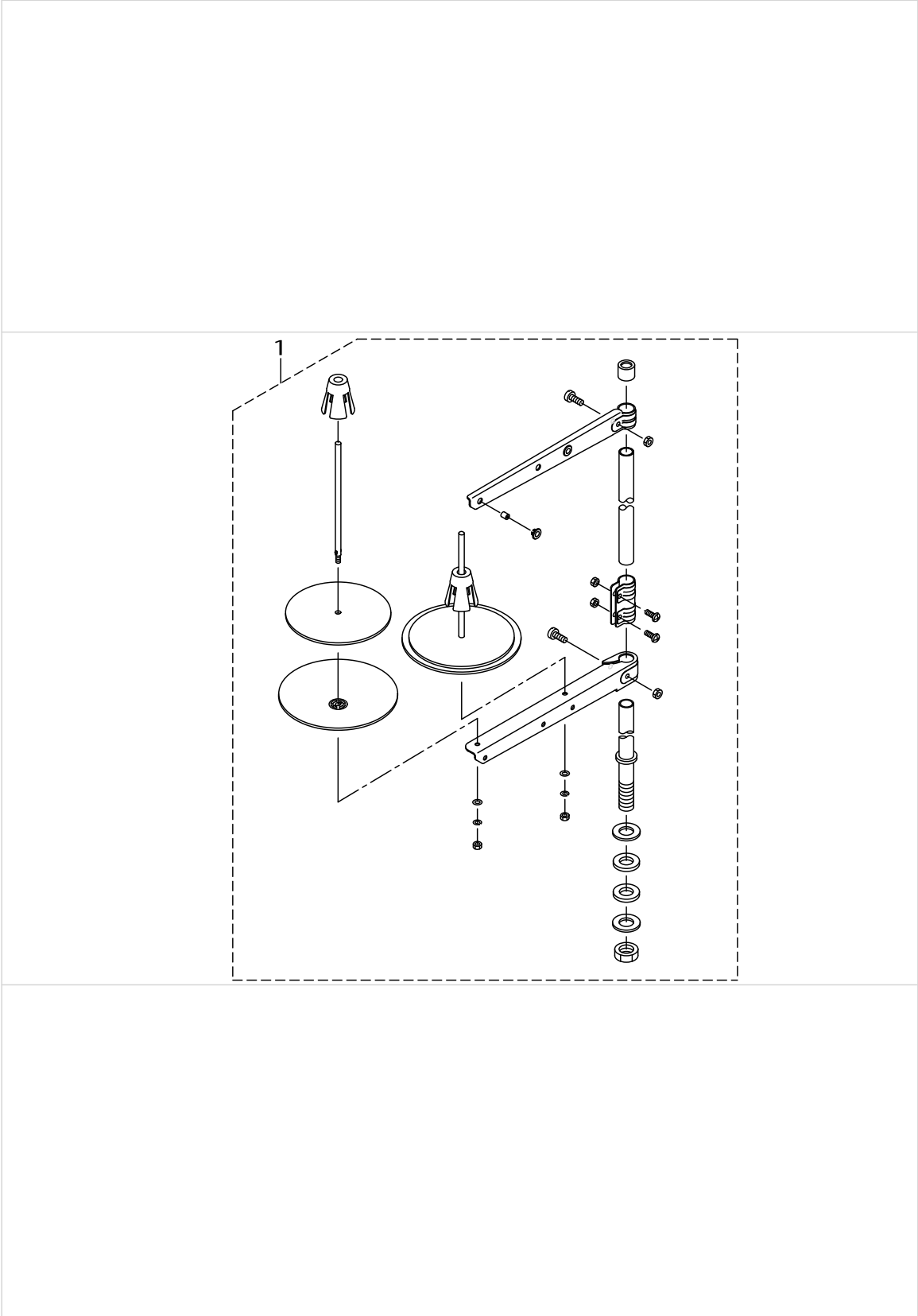
BELT COVER & BOBBIN WINDER COMPONENTS



BELT COVER & BOBBIN WINDER COMPONENTS

No.	Parts No.	Parts name	Remarks	Level	Cons	Qty
1	B91011450AA	TOP COVER (WITH LABEL)				1
2	B910114500A	TOP COVER		*		1
3	CM500300001	DIRECTION LABEL		*		1
4	B91021450AA	BELT COVER				1
5	21286901	BELT COVER PLATE				1
6	B9106145000	BELT COVER SUPPORT STUD A				1
7	B9107145000	BELT COVER SUPPORT STUD B				1
8	B9108145000	BELT COVER SUPPORT PLATE				1
9	SS6110480SP	SCREW 11/64-40 L=4.3				12
10	SS7151210SP	SCREW 15/64-28 L=12				2
11	11415866	BOBBIN WINDER COMPL				1
12	SK3482500SC	WOOD SCREW D=4.8 L=25				2
13	WP0501016SC	WASHER 5X10.5X1				2

THREAD STAND COMPONENTS



THREAD STAND COMPONENTS

No.	Parts No.	Parts name	Remarks	Level	Cons	Qty
1	40096354	THREAD STAND ASM.				1

TABLE COMPONENTS

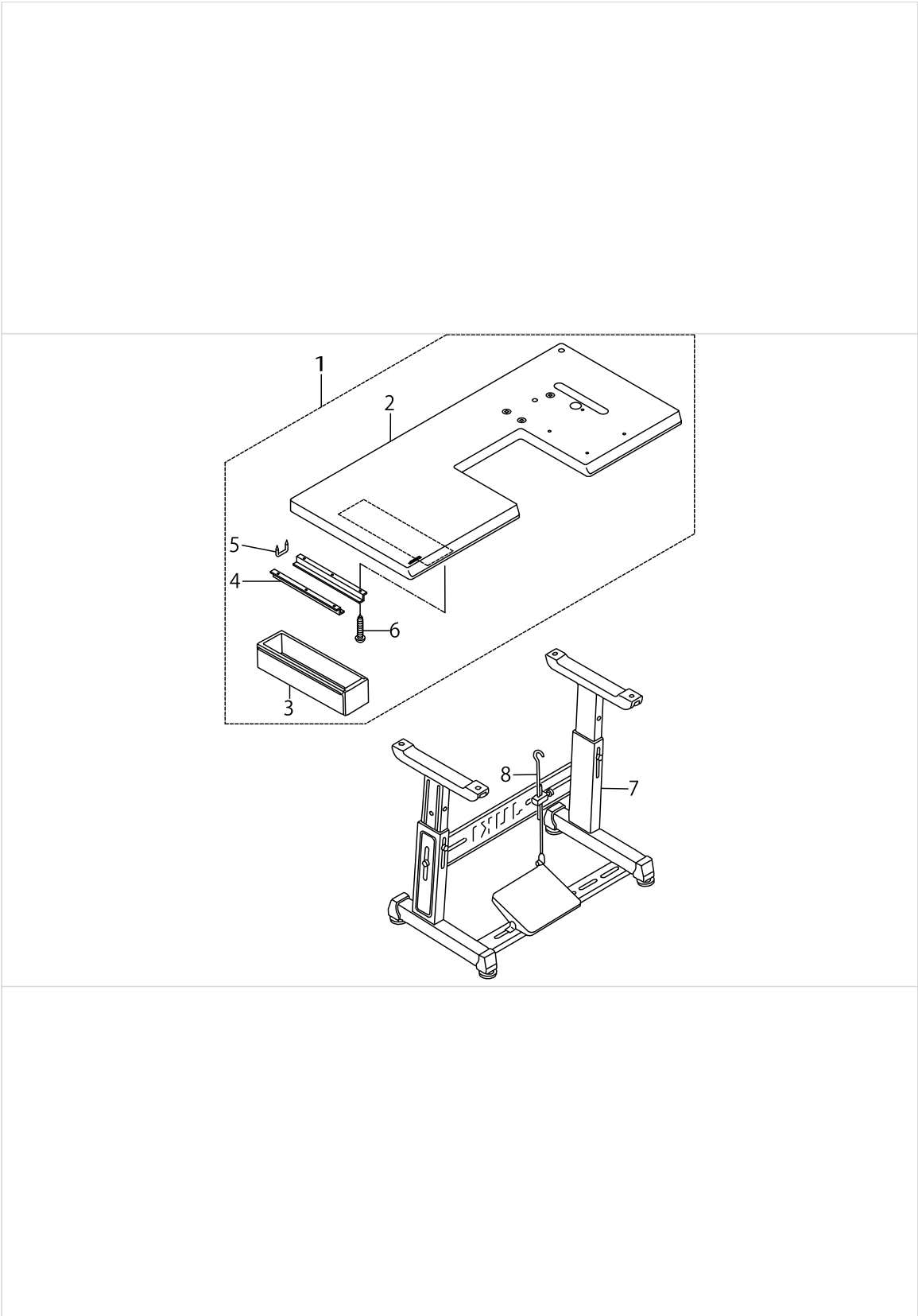
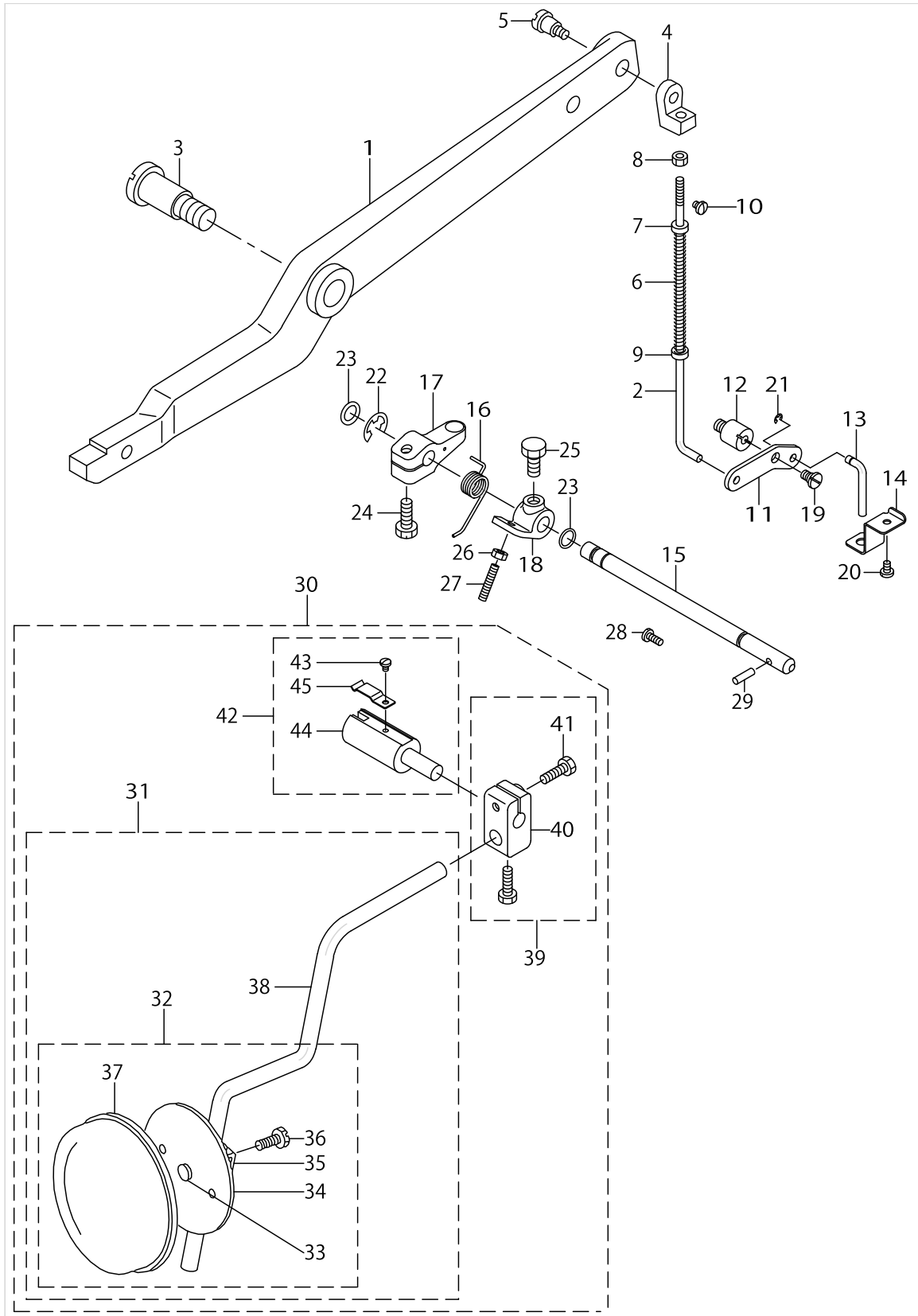


TABLE COMPONENTS

No.	Parts No.	Parts name	Remarks	Level	Cons	Qty
1	22864557	TABLE ASM.				1
2	22864508	TABLE		*		1
3	11155108	DRAWER		*		1
4	11155207	DRAWER SUPPORT		*		2
5	D8204555D00	DRAWER STOPPER		*		1
6	SK3311600SE	WOOD SCREW D=3.1 L=16		*		6
7	11157567	T LEG JUNCTION				1
8	B71140120A0	MOTOR CONNECTING ROD ASM.				1

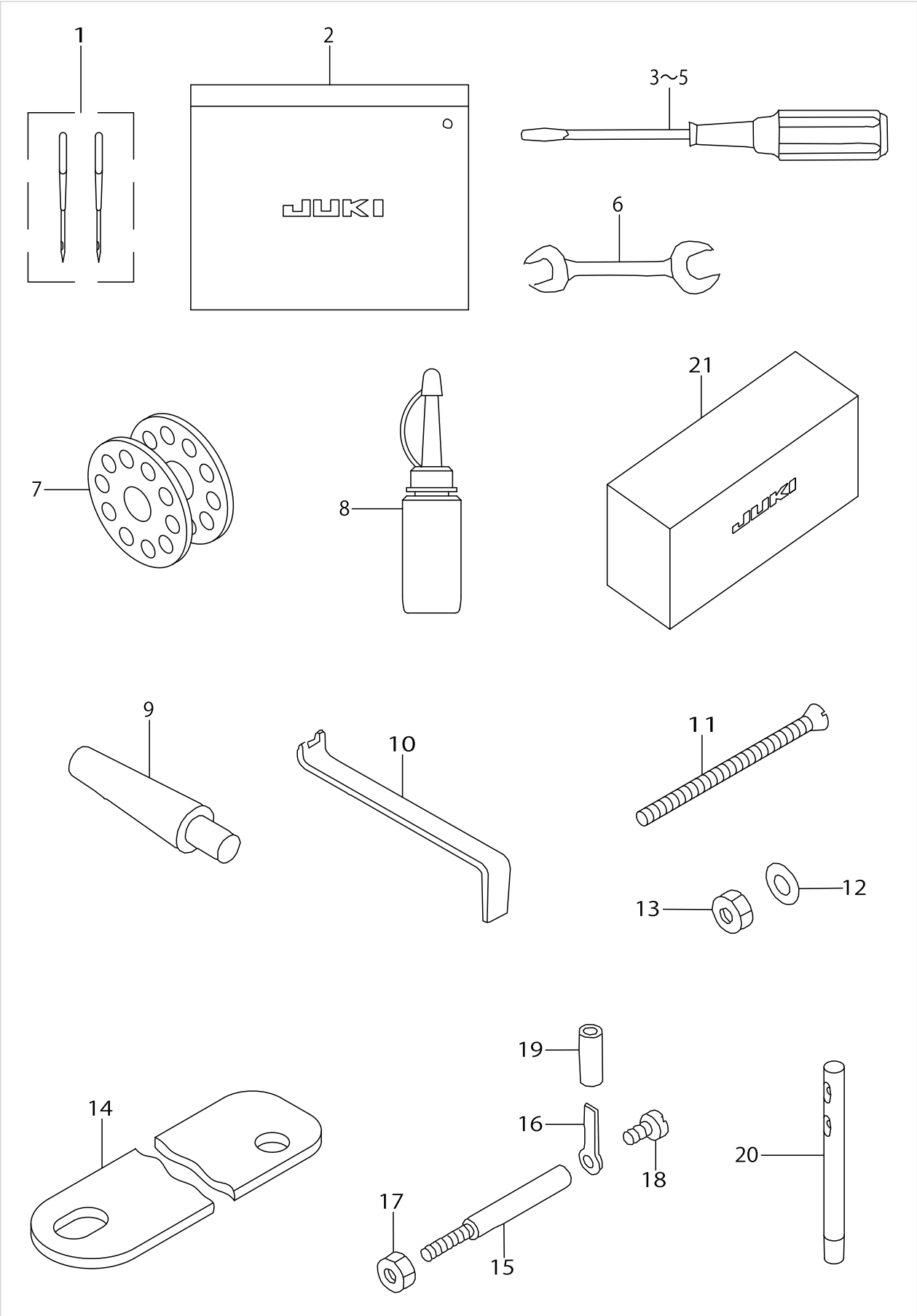
KNEE LIFTER COMPONENTS



KNEE LIFTER COMPONENTS

No.	Parts No.	Parts name	Remarks	Level	Cons	Qty
1	D3410141E0AA	KNEE LIFTER				1
2	22862403	LIFTING LEVER CONNECTING ROD				1
3	SD0991551SP	HINGE SCREW D=9.9 H=5.5				1
4	B3416141H00A	SWIVEL				1
5	SD0790351SP	HINGE SCREW D=7.9 H=3.5				1
6	B3414245000	SPRING				1
7	CS0510713SD	SPRING REST				1
8	NS6620310SP	NUT 3/16-32				1
9	WP0621016SD	WASHER 6.2X13X1				1
10	SS7110540SP	SCREW 11/64-40 L=5				1
11	22862502	LIFTING LEVER LINK				1
12	22862601	STUD				1
13	22862700	DRIVING LINK PIN				1
14	22862809	DRIVING LINK GUIDE PLATE				1
15	22863005	KNEE PRESS ROD				1
16	22862908	SPRING				1
17	B3425122000	KNEE PRESS LIFTER LEVER				1
18	22863104	MOUNTING BRACKET				1
19	SD0720332SP	HINGE SCREW D=7.24 H=3.3				1
20	SS7110710SP	SCREW 11/64-40 L=7				1
21	RE0320000K0	E-RING 3.2				1
22	RE1000000K0	E-RING 10				1
23	RO078190100	RUBBER RING				2
24	SS9182010SN	SCREW 9/32-20 L=20				1
25	SS9201813CP	MOUNTING BRACKET SET SCREW				1
26	NM6050001SP	NUT M5				1
27	SM8052502TP	SCREW M5X0.8 L=25				1
28	SS7151120SP	SCREW 15/64-28 L=11				1
29	B3432521000	PIN				1
30	22863351	KNEE LIFTER PLATE ROD ASM.				1
31	22863450	KNEE PRESS PLATE ASM.		*		1
32	B34262450A0	KNEE PRESS PLATE ASM.		*		1
33	22934400	KNEE PAD PLATE RUBBER		*		1
34	22934202	KNEE PAD PLATE		*		1
35	22934301	KNEE PAD PLATE SUPPORT		*		1
36	SM9061203SE	SCREW M6 L=12		*		1
37	22934509	KNEE PAD PLATE COVER		*		1
38	22863302	KNEE LIFTER PLATE ROD		*		1
39	22932453	BRACKET ASM.		*		1
40	22932404	BRACKET		*		1
41	22934707	SCREW		*		2
42	22863252	KNEE LIFTER JOINT ASM.		*		1
43	SS7090510SP	SCREW 9/64-40 L=4.6		*		1
44	22863203	KNEE LIFTER JOINT		*		1
45	B3428521000	PRESSER SPRING		*		1

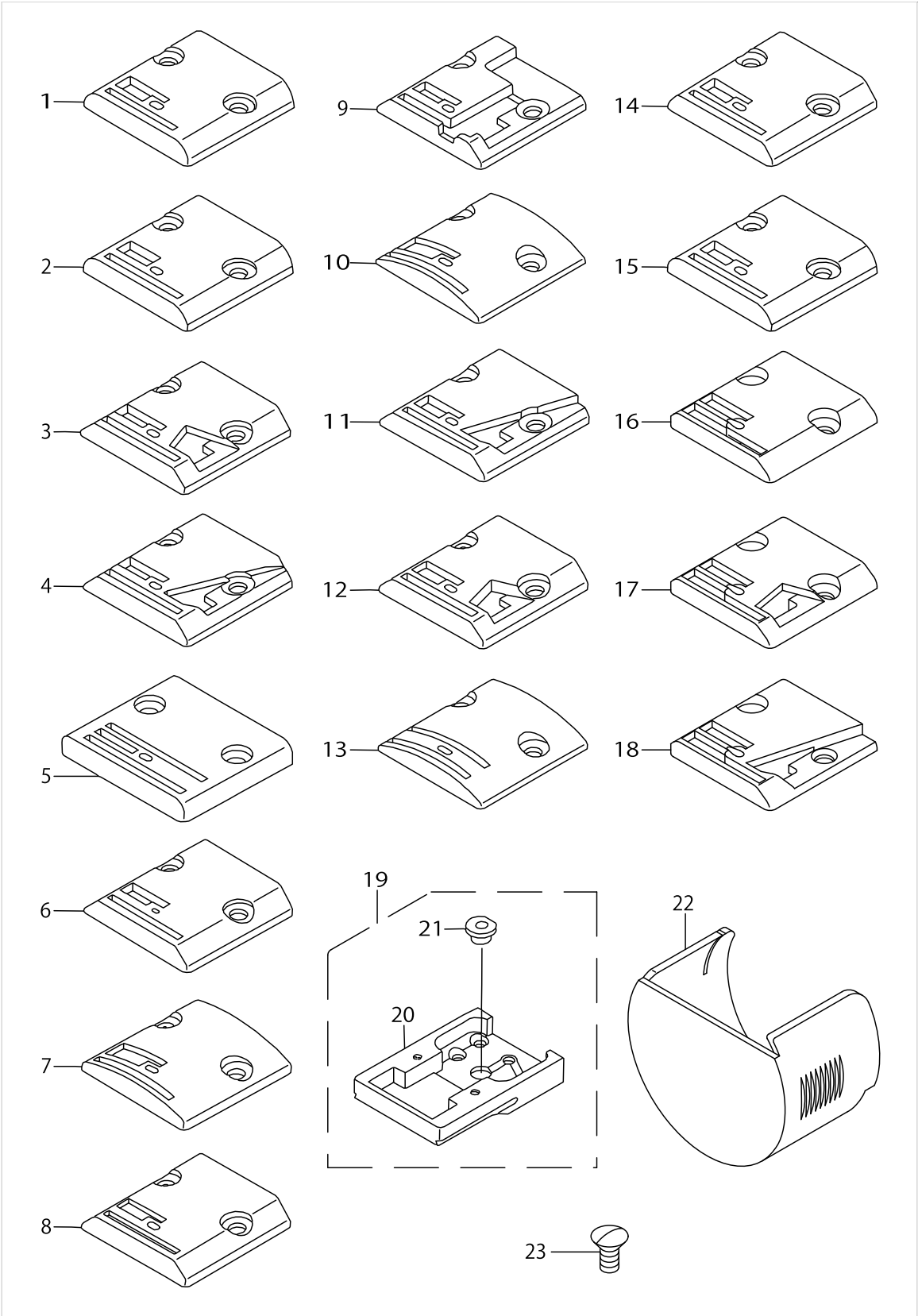
ACCESSORIES PARTS COMPONENTS



ACCESSORIES PARTS COMPONENTS

No.	Parts No.	Parts name	Remarks	Level	Cons	Qty
1	M13517B1602	NEEDLE 135X17 #160-2				1
2	B9101552000	ACCESSORY BOX				1
3	22933006	SCREW DRIVER LARGE				1
4	22933105	SCREW DRIVER MIDDLE				1
5	22933204	SCREW DRIVER SMALL				1
6	B9112012000	WRENCH (11X14)				1
7	B9117201000	BOBBIN				1
8	B91212200A0	OILER (CONTAINING NO.2 OIL)				1
9	B820424500A	FRAME SUPPORT BAR				1
10	B9111245000	WRENCH				1
11	B9130245000	BOLT				4
12	WP0751576SD	WASHER 7.5X19X1.5				4
13	NM6060001SD	NUT M6				4
14	B9110245000	RUBBER PACKING				2
15	D7101245E00	SYNCHRONIZER HOLDER STUD	OPTIONAL PARTS			1
16	D7102245E00	SYNCHRONIZER HOLDER PLATE	OPTIONAL PARTS			1
17	NS6150430SP	NUT 15/64-28	OPTIONAL PARTS			1
18	SS7110710SP	SCREW 11/64-40 L=7	OPTIONAL PARTS			1
19	BT0630520Z0	HOLDER COVER	OPTIONAL PARTS			1
20	22958300	NEEDLE THREAD GUIDE PIN				1
21	22933303	VINYL COVER				1

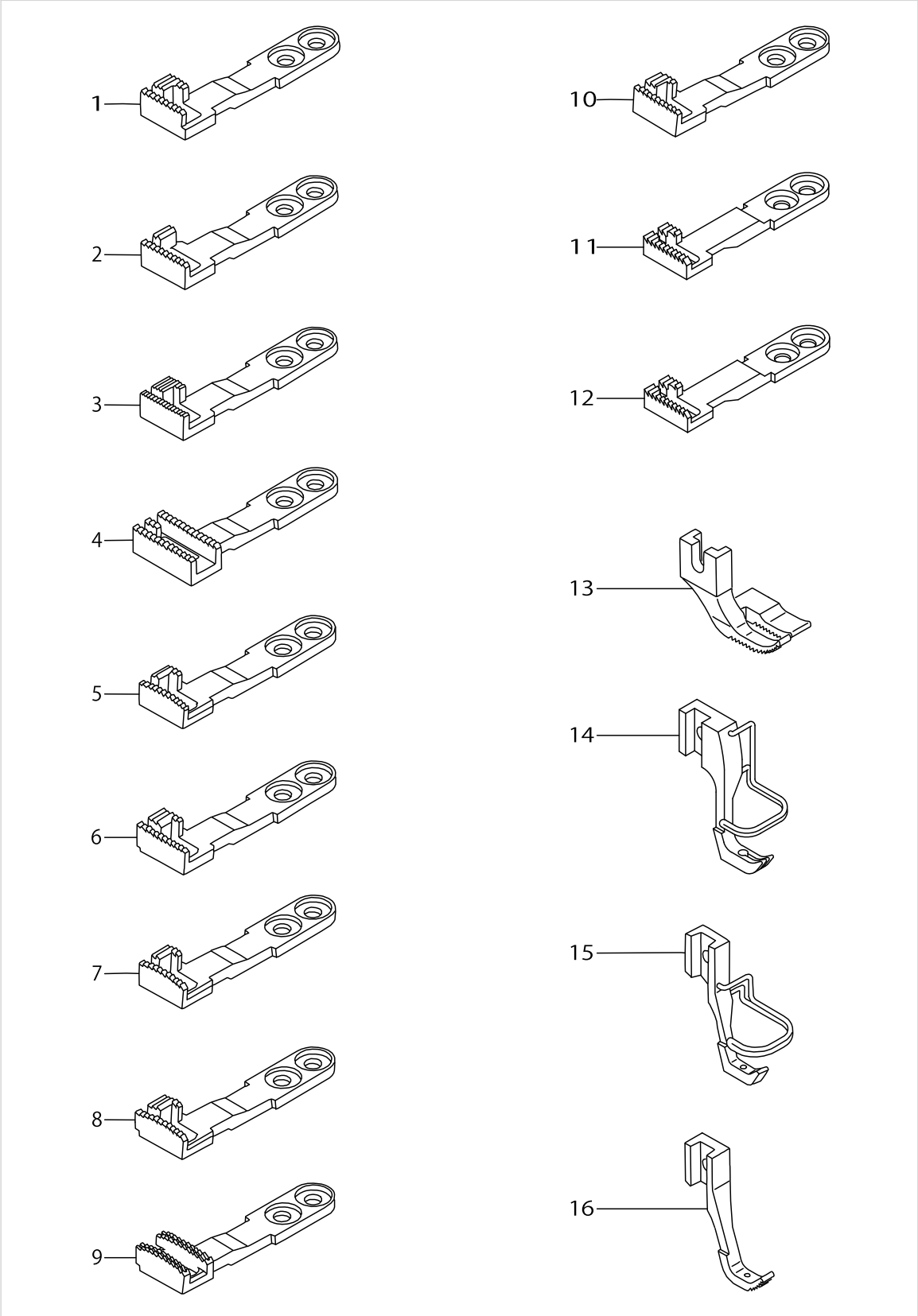
EXCHANGING GAUGE PARTS (1)



EXCHANGING GAUGE PARTS (1)

No.	Parts No.	Parts name	Remarks	Level	Cons	Qty
1	21282108	THROAT PLATE				1
2	21282207	THROAT PLATE				1
3	21282306	THROAT PLATE (FOR BINDER)				1
4	21282405	THROAT PLATE (FOR BINDER)				1
5	21282504	THROAT PLATE				1
6	21282603	THROAT PLATE (TWIN NEEDLE BAR)				1
7	21282702	THROAT PLATE				1
8	21282801	THROAT PLATE				1
9	21282900	THROAT PLATE				1
10	21283007	THROAT PLATE				1
11	21283106	THROAT PLATE (FOR BINDER)				1
12	21283205	THROAT PLATE (FOR BINDER)				1
13	21283304	THROAT PLATE (SINGER 17 TYPE)				1
14	21283403	THROAT PLATE				1
15	21282009	THROAT PLATE				1
16	22865000	THROAT PLATE	WITH USE OF 22867006			1
17	22865109	THROAT PLATE (FOR BINDER)	WITH USE OF 22867105			1
18	22865208	THROAT PLATE (FOR BINDER)	WITH USE OF 22867105			1
19	21286265	THROAT PLATE ASM.				1
20	21286216	THROAT PLATE BASE		*		1
21	B1631245000	PIN BUSHING		*		1
22	21286307	HOOK COVER				1
23	SS2110930SP	SCREW 11/64-40 L=8.7	WITH USE OF 22865208			1

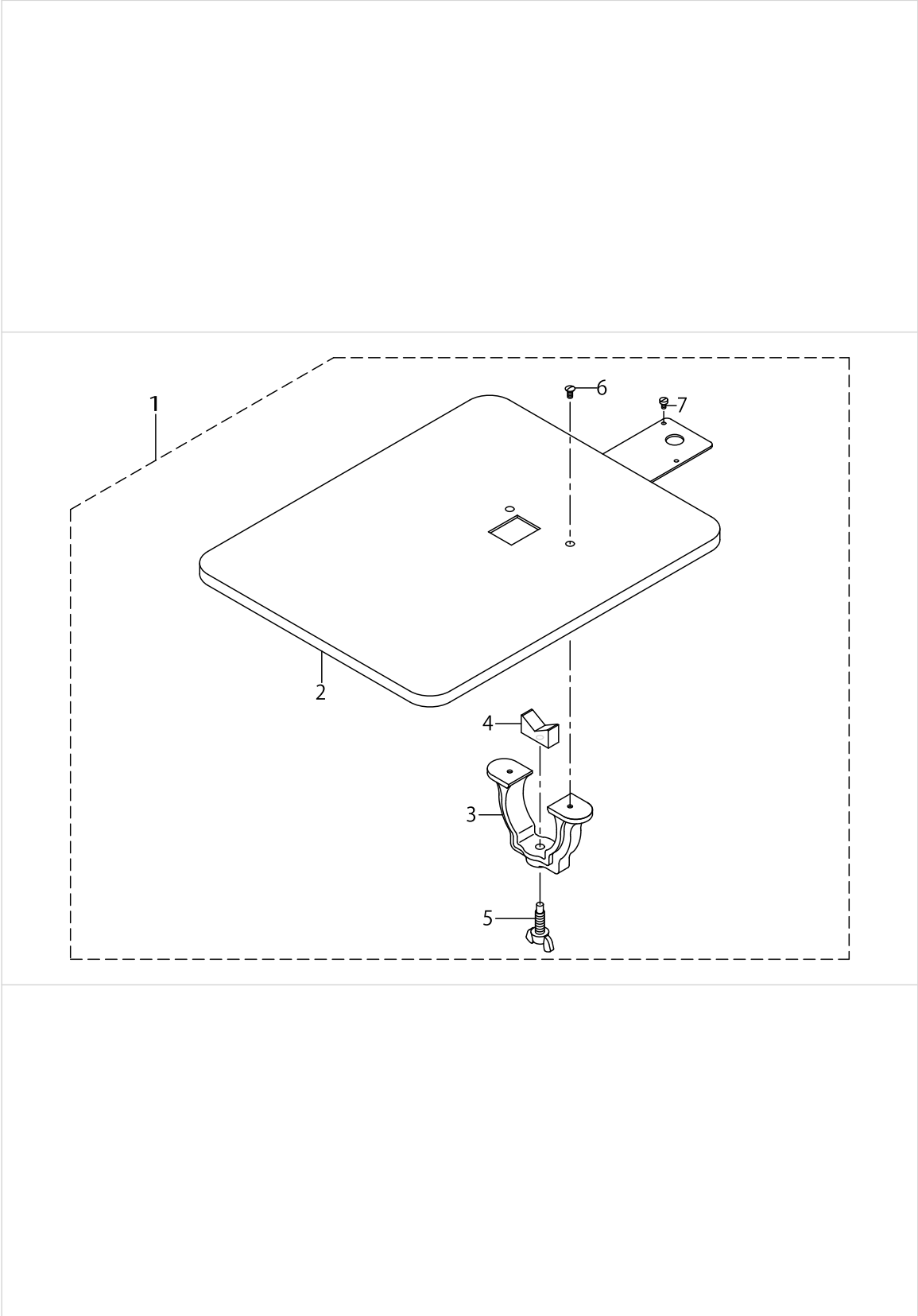
EXCHANGING GAUGE PARTS (2)



EXCHANGING GAUGE PARTS (2)

No.	Parts No.	Parts name	Remarks	Level	Cons	Qty
1	21284104	FEED DOG				1
2	21284203	FEED DOG				1
3	21284302	FEED DOG (THIN SEAM)				1
4	21284401	FEED DOG				1
5	21284500	FEED DOG				1
6	21284609	FEED DOG				1
7	21284708	FEED DOG				1
8	21284807	FEED DOG				1
9	21284906	FEED DOG				1
10	21285002	FEED DOG				1
11	22867006	FEED DOG	WITH USE OF 22865000			1
12	22867105	FEED DOG (FOR BINDER)	WITH USE OF 22865109 OR 22865208			1
13	B152614500A	PRESSURE FOOT	WITH USE OF B152514500A			1
14	D1525141EAA	PRESSER FOOT ASM.				1
15	B1526141HA0	PRESSER FOOT ASM.				1
16	B152514500A	PRESSURE FOOT	WITH USE OF B152614500A			1

OPTION COMPONENTS



OPTION COMPONENTS

No.	Parts No.	Parts name	Remarks	Level	Cons	Qty
1	22864359	PLATE ASM.				1
2	22864300	PLATE		*		1
3	22864409	STAND		*		1
4	21290309	V-BLOCK		*		1
5	21290408	SET SCREW		*		1
6	SS2110920TP	SCREW 11/64-40 L=8.5		*		2
7	SS6090630SP	SCREW 9/64-40 L=6		*		2

LIST FOR INFORMATION OF CHANGE

As to the place changed, refer to the corresponding Rev.No.
When previous parts (Obsolete part) and new parts (Added parts) are not interchangeable with each other:
In this case, even obsolete parts (D.) can be ordered with the obsolete part number, so select the parts with changed dates and place your orders.

変更箇所は、該当Rev.No.版をご参照ください。

部品の互換性がない変更の場合は、削除された品番でも、ご注文できます。

29175106
No.1067-04 Rev.No.

*A: Added parts 追加部品 / D: Obsolete parts 削除部品 / E: Erratum 訂正

* Rev. No.	Page No.	Ref. No.	Parts No. 品番	* Rev. No.	Page No.	Ref. No.	Parts No. 品番
D 03	2	10	B1150-141-H0A-A	A 04	2	10	400-32259
D 03	2	34	SS-2090710-SP	A 04	2	34	SS-2090710-TP
D 03	2	38	SS-2090710-SP	A 04	2	38	SS-2090710-TP
D 03	2	50	CM-3002001-01	A 04	2	50	CM-3013000-01
D 03	2	51	CM-3002000-B1	A 04	2	10	CM-3002000-01
D 03	4	21	SS-8150710-SP	A 04	4	21	SS-8150710-TP
D 03	4	36	B1308-145-000	A 04	4	36	B1308-012-000
				A 04	4	37	TA-0550604-R0
D 03	6	16	MDP-170B2300	A 04	6	16	M1351-7B1-600
D 03	17	1	229-30358	A 04	17	1	400-96354
D 03	22	1	MDP-170B2302	A 04	22	1	M1351-7B1-602
D 03	22	4	B9110-012-000	A 04	22	4	229-33105
D 03	22	5	B9111-012-000	A 04	22	5	229-33204
				A 04	22	21	229-33303

HOW TO MAKE USE OF THIS PARTS LIST

1.Explanation of codes

1)"*"mark.....means this part is changed from the previous parts book.

As to the details of the change, refer to the "List for information of change".

2)"#01".....refer to "Note" explanation at bottom of page.

2.Codes on the "Qty" column

- Each numeral indicates the number of parts required.
- "0.1" and "2.5" indicate the length (in meters) of the respective parts.

3.Parentheses mean that the corresponding part is a subpart that constructs an assembly part.

4.Dotted lines on the Figures indicate assembly parts.

1."注記"欄の記号説明

1) "*"印.....前回のパーツブックに比較して今回変更された部品を意味します。

変更内容は、"変更情報リスト"を参照してください。

2) "#01".....ページ下の"注記"の説明を参照してください。

2.数量欄の数字は、個数を表し、0.1、2.5等の数値は、長さ（単位メートル）を表します。

3.数量欄の（ ）は、組部品を構成している子部品であることを意味します。

4.イラストページの-----枠は、組構成であることを意味します。

NUMERICAL INDEX OF PARTS

PART NO	PAGE	REF NO.	PART NO	PAGE	REF NO.	PART NO	PAGE	REF NO.
10106102	18	34	21284807	36	8	22867006	36	11
10119105	14	15	21284906	36	9	22867105	36	12
10119204	14	14	21285002	36	10	22901409	8	14
10119402	14	17	21286000	16	1	22901805	4	49
10119907	14	7	21286216	34	20	22904155	6	26
10120004	14	8	21286265	34	19	22904155	20	63
10161305	14	16	21286307	34	22	22906101	8	2
11072204	22	4	21286802	8	19	22907604	8	28
11155108	28	3	21286901	24	5	22932404	30	40
11155207	28	4	21290309	38	4	22932453	30	39
11157567	28	7	21290408	38	5	22933006	32	3~5
11415205	2	11	22860654	2	7	22933105	32	3~5
11415866	24	11	22860704	6	1	22933204	32	3~5
21103304	8	25	22861108	8	1	22933303	32	21
21108204	8	6	22861207	8	5	22934202	30	34
21109806	18	3	22861256	8	4	22934301	30	35
21136205	16	9-10	22861405	10	9	22934400	30	33
21136304	16	9-10	22861504	10	21	22934509	30	37
21205109	6	6	22861603	10	22	22934707	30	41
21208707	16	2	22861801	10	16	22958300	32	20
21272802	18	27	22861900	18	5	40032259	2	10
21282009	34	15	22862007	18	22	40096354	26	1
21282108	34	1	22862106	18	45	B1114280000	14	6
21282207	34	2	22862155	18	44	B1116246000	2	5
21282306	34	3	22862403	30	2	B1117246000	2	13
21282405	34	4	22862502	30	11	B1118141H0AA	2	9
21282504	34	5	22862601	30	12	B1128246000	2	12
21282603	34	6	22862700	30	13	B1129141H00	2	8
21282702	34	7	22862809	30	14	B1131141H00	2	16
21282801	34	8	22862908	30	16	B1147141H00	12	52
21282900	34	9	22863005	30	15	B1148141H00	12	53
21283007	34	10	22863104	30	18	B1156115000	2	15
21283106	34	11	22863203	30	44	B1171145000	2	3
21283205	34	12	22863252	30	42	B1172245000	10	17
21283304	34	13	22863302	30	38	B1173145000	2	4
21283403	34	14	22863351	30	30	B118324500A	2	1
21283502	2	6	22863450	30	31	B118324500B	2	2
21284005	10	20	22864300	38	2	B1202141H0A	6	4
21284104	36	1	22864359	38	1	B1203051000	6	11
21284203	36	2	22864409	38	3	B1203141H00	6	5
21284302	36	3	22864508	28	2	B1211141H00	6	13
21284401	36	4	22864557	28	1	B1211226000	6	14
21284500	36	5	22865000	34	16	B1212012000	6	9
21284609	36	6	22865109	34	17	B1213012000	6	10
21284708	36	7	22865208	34	18	B1301145000	6	29

NUMERICAL INDEX OF PARTS

PART NO	PAGE	REF NO.	PART NO	PAGE	REF NO.	PART NO	PAGE	REF NO.
B1302201000	6	30	B163214500G	10	6	B3011141H00	18	10
B1303271000	6	31	B163214500H	10	5	B3011141H0A	18	11
B13050120A0	6	32	B163214500J	10	4	B3012141H00A	18	18
B13061550A0	6	33	B16331220A0	10	35	B3013141H0A	18	47-48
B13071550A0	6	34	B1633245000	10	10	B3013141H0B	20	47-48
B1308012000	6	36	B1634141H00A	10	34	B3014141H00B	18	19
B13081550A0	6	35	B1634145000	10	12	B3015141H00	18	20
B1310012000	6	28	B1635145000	10	13	B3016141H00	18	21
B1311012000	6	2	B1636141H0A	10	44	B3020141H00	18	25
B1312012000	6	12	B1636145000	10	14	B3023141H00A	18	29
B14115520A0	8	11	B1637141H00	10	45	B3023141HA0A	18	28
B1414555000	8	13	B1637145000	10	15	B3024141H00	18	30
B1421141H00	8	33	B1638141H00	12	77	B3025141H00A	18	32
B1424158000	12	55	B1639145000	10	18	B3026141H00	18	33
B1424158000	20	49	B1640145000	10	19	B3028141H00	18	35
B1501141H00	8	21	B1641245000	10	23	B3029145000	18	36
B1509141H00	8	22	B1642245000	10	24	B3030145000	18	37
B1510141H00	8	23	B1643145000	10	28	B3031141H00	18	38
B1510155000	8	24	B1644245000	10	29	B3032141H00	18	39
B1512141H00	8	29	B1645245000	10	30	B3033141H00	18	40
B1513141H00	8	27	B1646201000	10	39	B3034141H00	18	41
B1515141H00	8	26	B1646245000	10	31	B3035141H00	18	42
B152514500A	36	16	B1647145000	10	32	B3036141H00	18	43
B1526141HA0	36	15	B1647226000	10	42	B3038141H00	18	26
B1526145000	8	30	B1648122000	10	36	B3111126000	22	2
B152614500A	36	13	B1651245000	12	62	B3115552000	22	3
B1601145000	10	11	B1652245000	12	64	B3118552F00	22	14
B1603145000	10	27	B1660145000	12	54	B3120125000	22	5
B1605145000	12	48	B1806038000	16	11	B3126012000	22	6
B1614145000	10	25	B1830201SA0	16	3	B3127127000	22	13
B1618226000	10	40	B183924500A	16	6	B3128012000	22	7
B1619115000	12	50	B183924500B	16	7	B3129053000	22	8
B16191150A0	12	49	B183924500C	16	8	B3132552000	22	9
B1620145000	10	33	B1901141H00	8	7	B3134141H00	22	12
B1621141H00A	10	38	B1902115000	8	8	B3214047000	2	22
B1622141H00	10	43	B1903141H00	8	9	B3216047000	2	23
B16231450A0	10	26	B1904115000	8	10	B3414245000	30	6
B1624141H0A	10	47	B2733761000	14	11	B3416141H00A	30	4
B16272260A0	10	41	B3001141H00	18	1	B3425122000	30	17
B1630145000A	10	2	B3002141H00	18	2	B34262450A0	30	32
B16301450A0A	10	1	B3005141H00	18	23	B3428521000	30	45
B1631245000	10	3	B3007141H00	18	6	B3432521000	30	29
B1631245000	34	21	B3008141H00	18	7	B35031450A0	2	24
B163214500E	10	8	B3009141H0A	18	8	B3503201000	2	25
B163214500F	10	7	B3010141H00	18	9	B3504201000	2	29

NUMERICAL INDEX OF PARTS

PART NO	PAGE	REF NO.	PART NO	PAGE	REF NO.	PART NO	PAGE	REF NO.
B3515201000	2	27	D1686141E00	14	13	SD0720331SP	14	22
B3517009000	6	8	D1687141E00	14	20	SD0720332SP	30	19
B3527012000	2	26	D1837141EA0	16	4	SD0790351SP	30	5
B60375050A0	14	43	D2120555C00	14	38	SD0800352SP	2	35
B71140120A0	28	8	D2464555B00	14	19	SD0850751SP	18	24
B820424500A	32	9	D3111141EAA	22	1	SD0950802SH	12	56
B910114500A	24	2	D3161555B00	2	19	SD0991551SP	30	3
B91011450AA	24	1	D3161560EA0	2	18	SK3311600SE	28	6
B9101552000	32	2	D3162560E00	2	20	SK3482500SC	24	12
B91021450AA	24	4	D3168555H0B	2	21	SM6081552TP	2	36
B9106145000	24	6	D3410141E0AA	30	1	SM8052502TP	30	27
B9107145000	24	7	D6043555B00	14	41	SM9061203SE	30	36
B9108145000	24	8	D7101245E00	32	15	SS2090710TP	2	38
B9110245000	32	14	D7102245E00	32	16	SS2090810SP	12	79
B9111245000	32	10	D8204555D00	28	5	SS2110915SP	2	37
B9112012000	32	6	M13517B1600	8	16	SS2110920TP	38	6
B9117201000	16	5	M13517B1602	32	1	SS2110930SP	34	23
B9117201000	32	7	M9637110000	14	40	SS5090610SP	2	39
B91212200A0	32	8	M9640110000	14	39	SS5110710SP	12	75
B9130245000	32	11	MAT81126T00	14	5	SS6060210SP	12	63
BP300000000	14	37	NM6050001SP	30	26	SS6081210SP	12	61
BT0630520Z0	32	19	NM6060001SD	32	13	SS6090610SP	12	83
CM300200001	4	51	NS6150310SP	18	52	SS6090630SP	38	7
CM301300001	4	50	NS6150310SP	20	52	SS6090670TP	8	12
CM500300001	24	3	NS6150430SP	14	21	SS6090810SP	20	57
CQ200000000	12	51	NS6150430SP	32	17	SS6110480SP	24	9
CQ202000000	2	28	NS6160520SP	20	54	SS6110610TP	8	20
CQ202000000	6	15	NS6620310SP	30	8	SS6111610SP	2	40
CS0510713SD	30	7	NS6660430SP	20	53	SS6121050SP	12	67
D1126560E00A	2	14	NS6680320SP	20	51	SS6121210SP	12	68
D1201141E00A	6	3	NS6680410SP	12	60	SS6121210SP	20	56
D1206141E00	6	7	PS0300132KH	8	34	SS6151220SP	12	69
D1403141E00	8	3	PS0300201KP	18	46	SS6151440SP	18	15
D1418141E00	8	15	RE0300000K0	12	58	SS6661110SP	12	70
D1525141E00	8	32	RE0320000K0	30	21	SS7080510TP	8	17
D1525141EA0	8	31	RE0400000K0	14	36	SS7080520SP	12	78
D1525141EAA	36	14	RE0400000K0	18	31	SS7090510SP	30	43
D1621141E00	10	37	RE0600000K0	14	35	SS7090610SP	8	35
D1624141E0A	10	46	RE0700000K0	12	59	SS7090620TP	2	41
D1680141EA0	14	4	RE0700000K0	20	50	SS7090710SP	14	23
D1681141E0A	14	2	RE1000000K0	30	22	SS7091110SP	8	36
D1682141E00	14	9	RO074240100	12	57	SS7091110SP	12	71
D1683141E00	14	12	RO078190100	30	23	SS7110510SP	2	42
D1684141E00A	14	18	SD0600271SP	22	15	SS7110540SP	30	10
D1685141E00	14	10	SD0600321SP	22	16	SS7110710SP	2	44

NUMERICAL INDEX OF PARTS

PART NO	PAGE	REF NO.	PART NO	PAGE	REF NO.
SS7110710SP	14	44	SS9660910SP	12	81
SS7110710SP	30	20	TA0550604R0	2	33
SS7110710SP	32	18	TA0550604R0	6	37
SS7110840SP	8	37	TA0750704R0	2	32
SS7110910SP	20	58	TA1050504R0	4	48
SS7111120SP	20	59	TA1120804R0	2	47
SS7111410TP	20	60	TA1250406R0	2	17
SS7112420SP	2	45	TA2100904R0	2	31
SS7120910TP	20	62	WP0501016SC	24	13
SS7121410SP	14	26	WP0501016SD	14	32
SS7151120SP	30	28	WP0621016SD	14	33
SS7151210SP	14	28	WP0621016SD	30	9
SS7151210SP	24	10	WP0650876SD	20	55
SS7152040SP	12	84	WP0651056SD	12	85
SS7620750SP	12	72	WP0751576SD	32	12
SS7681750TP	6	19	WS0631510KP	14	34
SS8090670SP	22	10	WT0530002KS	14	3
SS8090710SP	12	87	WZ1052010KP	12	82
SS8110410TP	2	46			
SS8110410TP	12	73			
SS8110510SP	12	86			
SS8110750SP	8	39			
SS8150510TP	14	29			
SS8150510TP	18	16			
SS8150710SP	12	74			
SS8150710SP	22	11			
SS8150710TP	6	21			
SS8150750SP	20	61			
SS8150830SP	12	65			
SS8151150SP	6	22			
SS8151550SP	6	24			
SS8151550SP	8	18			
SS8151550SP	16	12			
SS8660530TP	18	12			
SS8660610TP	6	27			
SS8660610TP	8	38			
SS8660610TP	18	64			
SS8660610TP	20	64			
SS8681950SP	6	20			
SS8701042TP	12	76			
SS9111010SP	14	27			
SS9181520CP	6	25			
SS9182010SN	30	24			
SS9201813CP	30	25			
SS9660720SP	12	80			