

MODEL : Z175

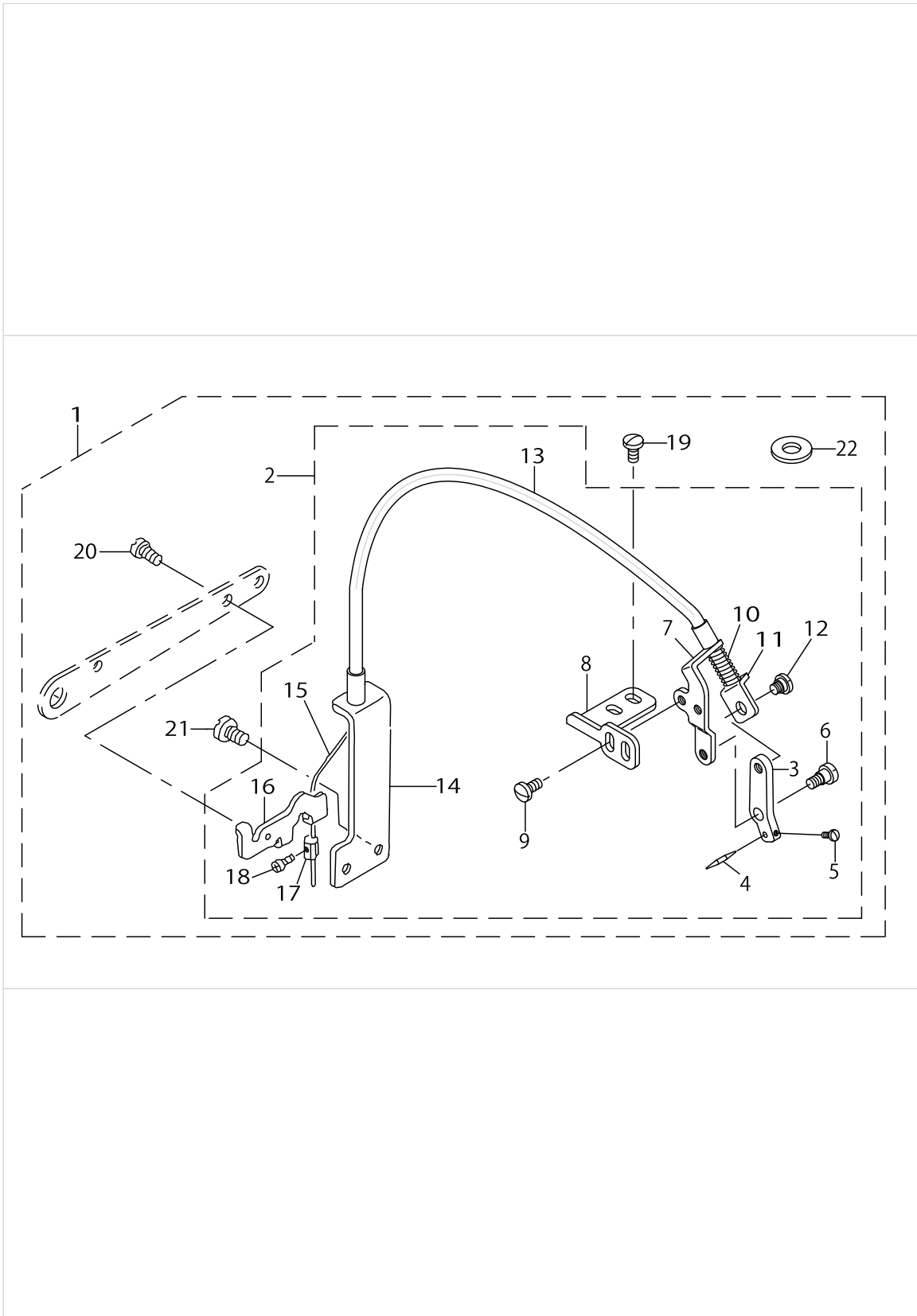
List No : 1049-00

PARTS LIST

Published:09/10/2017

CONTENTS

Z175.....	1
HOW TO MAKE USE OF THIS PARTS LIST	3



Z175

No.	Parts No.	Parts name	Remarks	Level	Cons	Qty
1	MAZ17500A0	Z175 ASM.				1
2	MAZ175010A0	WIRE ASM.		*		1
3	MAZ17501000	TENSION RELEASE ARM		*		1
4	MAZ12506000	TENSION RELEASE PIN		*		1
5	SS7060610SP	SCREW 3/32-56 L= 5.5		*		1
6	SD0600401TP	HINGE SCREW D= 6 H= 4		*		1
7	MAZ175020A0	TENSION RELE. SUPPORT ARM ASM.		*		1
8	MAZ17503000	TENSION RELEASE BASE		*		1
9	SS7110710SL	SCREW 11/64-40 L=7.0		*		2
10	B3355027000	SPRING		*		1
11	GPF01008000	WIRE SUPPORTER		*		1
12	SD0640211SP	HINGE SCREW D= 6.35 H= 2.1		*		1
13	MAZ17505000	WIRE TUBE		*		1
14	MAS05718000	WIRE SUPPORTER ARM		*		1
15	MAZ175040A0	WIRE FITTINGS ARM		*		1
16	MAS05719000	LIFTING LEVER CONNECTOR		*		1
17	MAS05720000	WIRE STOPPER		*		1
18	SS9090640SP	SCREW 9/64-40 L=6		*		1
19	SS7110710SP	SCREW 11/64-40 L=7		*		2
20	SS7110710SP	SCREW 11/64-40 L=7		*		1
21	SS6151040SP	SCREW 15/64-28 L=10		*		2
22	WP0482086SD	WASHER 4.8X11.5X2		*		2

HOW TO MAKE USE OF THIS PARTS LIST

1.As to "#01" and "#02" refer to the "Note" given at the bottom of the respective pages.

2.Codes on the "Qty" column

- Each numeral indicates the number of parts required.
- "0.1" and "2.5" indicate the length (in meters) of the respective parts.

3.Parentheses mean that the corresponding part is a subpart that constructs an assembly part.

4.Dotted lines on the Figures indicate assembly parts.

1. リストページの# 0 1、# 0 2の印は、ページ下の"注記"の説明を参照下さい。
2. 数量欄の数字は、個数を表し、0. 1、2. 5等の数値は、長さ（単位メートル）を表します。
3. 数量欄の（ ）は、組部品を構成している子部品であることを意味します。
4. イラストページの-----枠は、組構成であることを意味します。

NUMERICAL INDEX OF PARTS

PART NO	PAGE	REF NO.
B3355027000	2	10
GPF01008000	2	11
MAS05718000	2	14
MAS05719000	2	16
MAS05720000	2	17
MAZ12506000	2	4
MAZ17500A0	2	1
MAZ17501000	2	3
MAZ175010A0	2	2
MAZ175020A0	2	7
MAZ17503000	2	8
MAZ175040A0	2	15
MAZ17505000	2	13
SD0600401TP	2	6
SD0640211SP	2	12
SS6151040SP	2	21
SS7060610SP	2	5
SS7110710SL	2	9
SS7110710SP	2	20
SS9090640SP	2	18
WP0482086SD	2	22