

MODEL : LH-3188/LH-3188-7

List No : 1048-08

# PARTS LIST

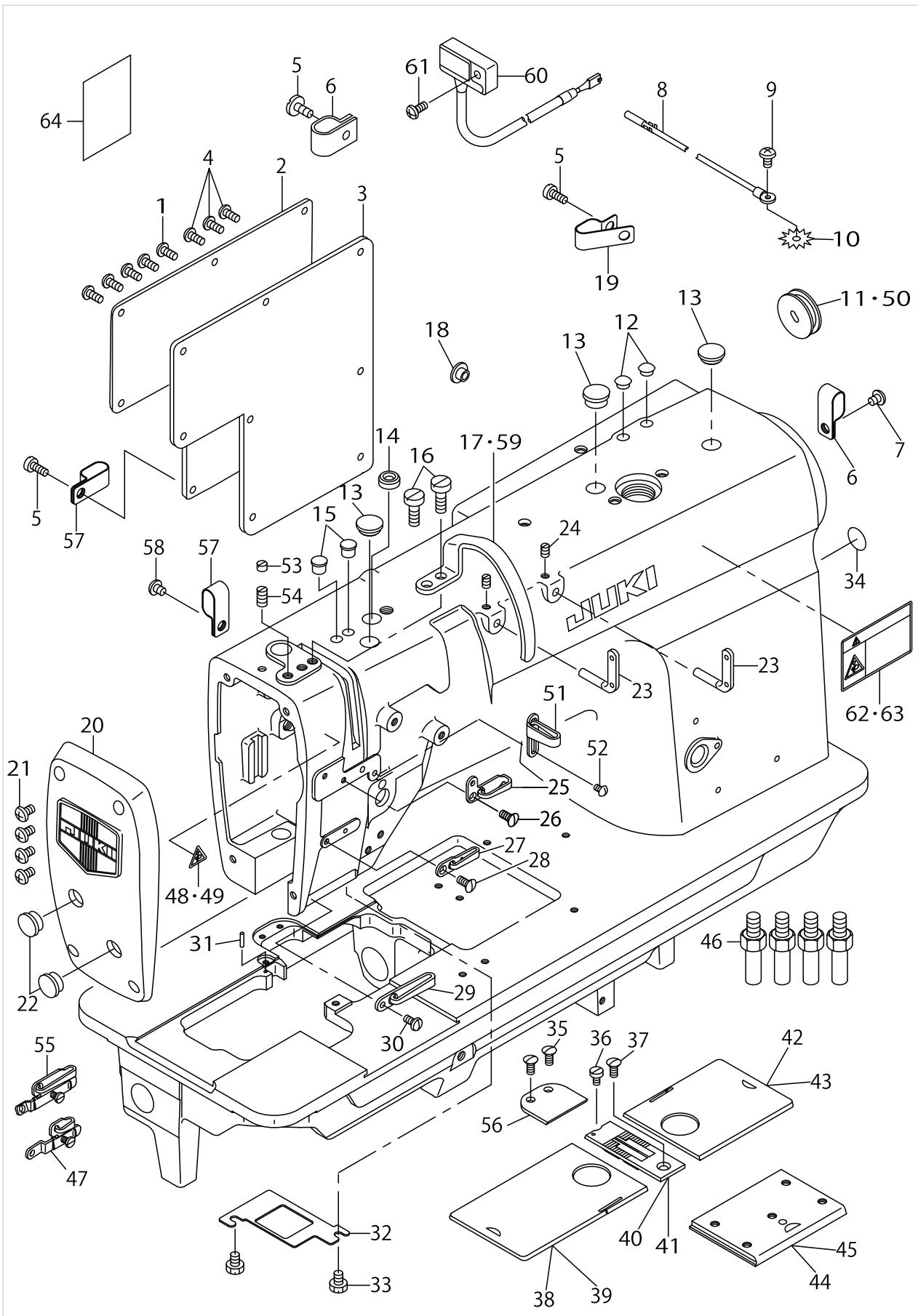
Published:09/10/2017

## CONTENTS

---

FRAME & MISCELLANEOUS COVER COMPONENTS .....	1
MAIN SHAFT & THREAD TAKE-UP COMPONENTS .....	5
NEEDLE BAR COMPONENTS .....	7
TENSION POST COMPONENTS .....	11
HOOK & HOOK DRIVING SHAFT COMPONENTS .....	15
FEED MECHANISM COMPONENTS .....	21
PRESSER BAR & TENSION RELEASE COMPONENTS .....	25
THREAD TRIMMER MECHANISM COMPONENTS (FOR LH-3188-7) .....	29
AUTOMATIC REVERSE FEED MECHANISM COMPONENTS (FOR LH-3168-7) .....	33
WIPER MECHANISM COMPONENTS (FOR LH-3188-7) .....	35
LUBRICATION COMPONENTS .....	37
BELT COVER & BOBBIN WINDER COMPONENTS .....	41
OIL RESERVOIR & KNEE LIFTER COMPONENTS .....	43
THREAD STAND COMPONENTS (1) .....	45
THREAD STAND COMPONENTS (2) (FOR JH, JS) .....	47
TABLE OF EXCHANGING GAUGE PARTS (1) .....	49
TABLE OF EXCHANGING GAUGE PARTS (2) .....	53
TABLE OF EXCHANGING GAUGE PARTS (3) .....	57
LIST FOR INFORMATION OF CHANGE .....	59

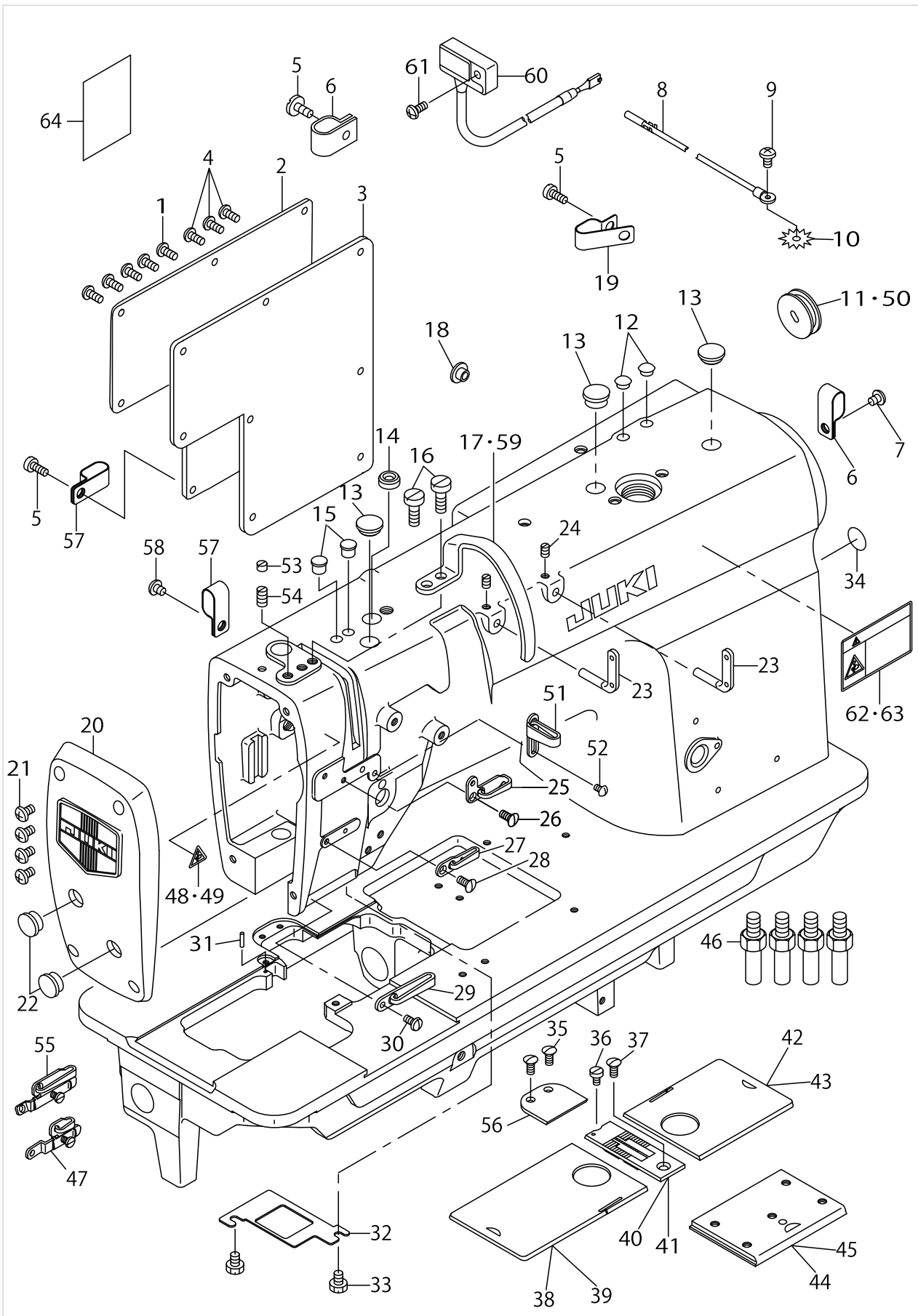
FRAME & MISCELLANEOUS COVER COMPONENTS



FRAME & MISCELLANEOUS COVER COMPONENTS

No.	Parts No.	Parts name	Remarks	Level	Cons	Qty
1	SS4110815SP	SCREW 11/64-40 L=8				5
2	10602902	SLIDE PLATE				1
3	10101004	GASKET				1
4	SS4110815SP	SCREW 11/64-40 L=8	FOR LH-3188			3
5	SS6111140SP	SCREW 11/64-40 L=11	FOR LH-3188-7			3
6	D2112555B00	CORD HOLDER, LARGE	FOR LH-3188-7			2
7	SS4120615SP	SCREW 3/16-28 L=6	FOR LH-3188-7			1
8	22951552	GROUND WIRE ASM.	FOR LH-3188-7			1
9	SS4120615SP	SCREW 3/16-28 L=6	FOR LH-3188-7			1
10	WT0530002KS	TOOTHED WASHER D=5.3	FOR LH-3188-7			1
11	22657803	RUBBER PLUG	FOR LH-3188-7			1
12	TA0750404R0	PLUG D=7.5 L=3.5	FOR LH-3188			2
13	TA1250406R0	RUBBER PLUG D=12.5 L=4				3
14	22620900	CAP				1
15	TA0750704R0	RUBBER PLUG				2
16	SS6151780SP	SCREW 15/64-28 L=17.0				2
17	22810105	THREAD TAKE-UP LEVER OIL GUARD	EXCEPT USE IN JAPAN & JE			1
18	TA1250406R0	RUBBER PLUG D=12.5 L=4				1
19	D2112555B00	CORD HOLDER, LARGE	FOR LH-3188-7-WB, -WO, -OB			1
20	22680250	FACE PLATE ASM.				1
21	SS4121015SP	SCREW 3/16-28 L=10				4
22	TA1250406R0	RUBBER PLUG D=12.5 L=4				2
23	22920706	TWO EYELET				2
24	SS8120740SP	SCREW 3/16-28 L=7				2
25	22811400	THREAD GUIDE(UPPER), LEFT				1
26	SS2090710TP	SCREW 9/64-40 L=7.2				1
27	22603112	THREAD GUIDE				1
28	SS2090710TP	SCREW 9/64-40 L=7.2				1
29	22603203	THREAD GUIDE(LOWER)	FOR LH-3188			1
30	SS2090710TP	SCREW 9/64-40 L=7.2				1
31	B1104051000	THROAT PLATE PIN				1
32	22680003	PLATE				1
33	SS9110460CP	SCREW 11/64-40 L=4				2
34	22901805	GROUND MARK				1
35	SS2090710TP	SCREW 9/64-40 L=7.2				2
36	SS6090630SP	SCREW 9/64-40 L=6				1
37	SS2110920TP	SCREW 11/64-40 L=8.5				1
38	22601058	BED SLIDE LEFT, ASM., A	EXCHANGING GAUGE PARTS F-OR LH-3188(SEE P.27~31)			1
39	22650857	BED SLIDE LEFT, ASM., A	EXCHANGING GAUGE PARTS F-OR LH-3188-7(SEE P.27~31)			1
40	22625503	THROAT PLATE 1/4	EXCHANGING GAUGE PARTS F-OR LH-3188(SEE P.27~31)			1
41	22660609	THROAT PLATE 1/4	EXCHANGING GAUGE PARTS F-OR LH-3188-7(SEE P.27~31)			1
42	22600555	BED SLIDE RIGHT, ASM., A	EXCHANGING GAUGE PARTS F-OR LH-3188(SEE P.27~31)			1
43	22650352	BED SLIDE RIGHT, ASM., A	EXCHANGING GAUGE PARTS F-OR LH-3188-7(SEE P.27~31)			1
44	22650055	BED SLIDE ASM.	FOR LH-3188			1

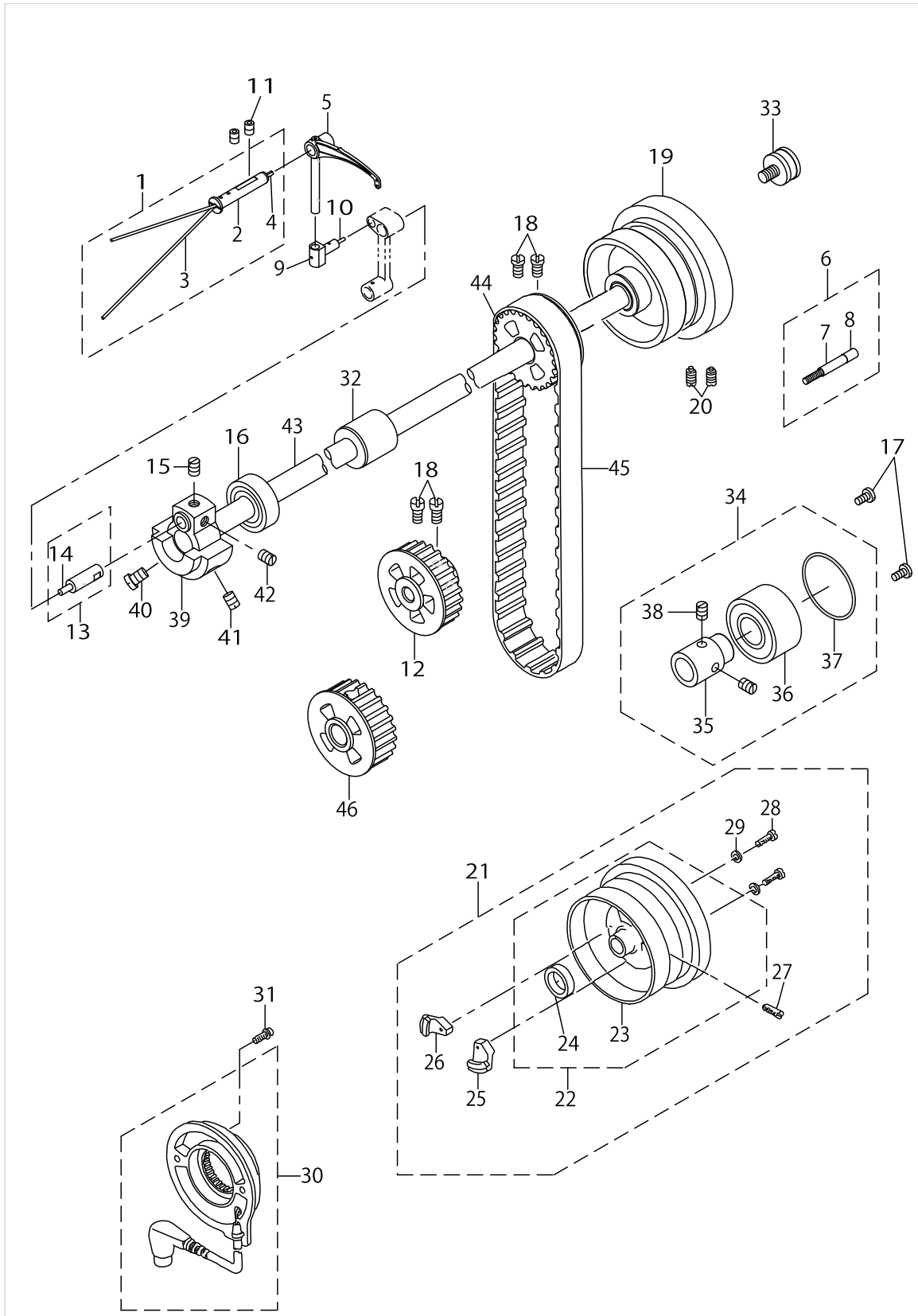
FRAME & MISCELLANEOUS COVER COMPONENTS



FRAME & MISCELLANEOUS COVER COMPONENTS

No.	Parts No.	Parts name	Remarks	Level	Cons	Qty
45	22650055	BED SLIDE ASM.	FOR LH-3188-7			1
46	22602601	BED SCREW STUD				4
47	22651459	THREAD GUIDE ASM., E	FOR LH-3188-7			1
48	CM3002000B1	LABEL(16)	FOR USE IN JAPAN			1
49	CM300200001	ATTENTION SEAL	FOR JE			1
50	22619100	CAP	FOR LH-3188			1
51	22811301	THREAD GUIDE(UPPER), RIGHT				1
52	SS3090610SP	SCREW 9/64-40 L=6				1
53	SS8150410SP	SCREW 15/64-28 L=4				1
54	SS8151150SP	SCREW 15/64-28 L=10.5				1
55	22811558	THREAD GUIDE F ASM.	OPTIONAL PARTS			1
56	22651202	AUXILIARY COVER				1
57	D2112555B00	CORD HOLDER, LARGE	FOR LH-3188-7-WB, -WO, -OB			2
58	SS4120615SP	SCREW 3/16-28 L=6	FOR LH-3188-7-WB, -WO, -OB			1
59	22818009	BALANCE COVER(FOR JE)	FOR USE IN JAPAN , JE			1
60	M6045350AAA	RESISTANCE PACK ASM.AA	FOR LH-3188-7			1
61	SS4111015SP	SCREW 11/64-40 L=10	FOR LH-3188-7			1
62	CM3002001A1	SAFETY LABEL.,3 (SMALL).	EXCEPT USE IN JAPAN & JE			1
63	CM300200101	SAFETY LABEL, 1(SMALL).	FOR USE IN JAPAN			1
64	40021415	INSTRUCTION MANUAL(SUPPLEMENT)	FOR CHINA			1

# MAIN SHAFT & THREAD TAKE-UP COMPONENTS

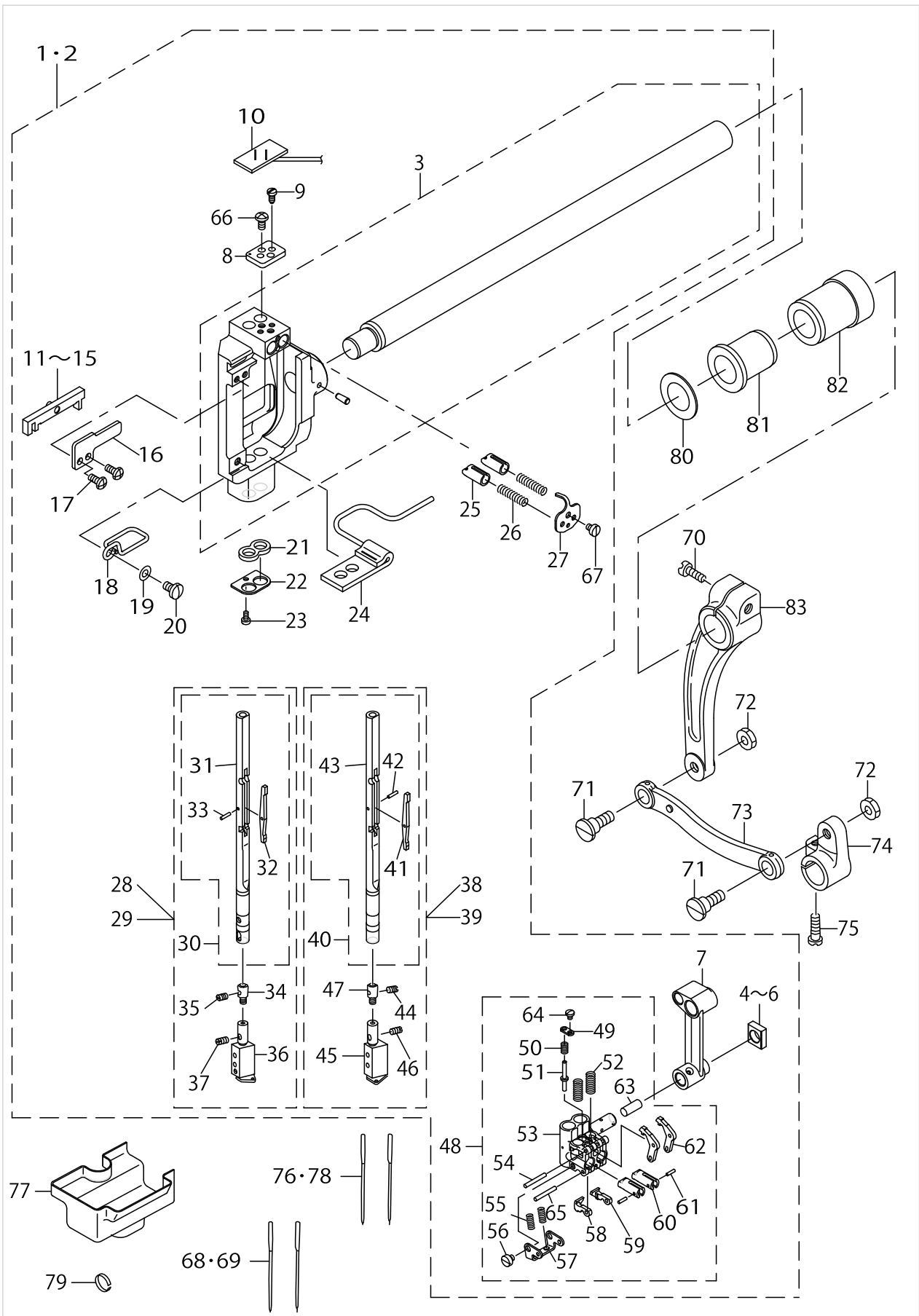


MAIN SHAFT & THREAD TAKE-UP COMPONENTS

No.	Parts No.	Parts name	Remarks	Level	Cons	Qty
1	22605356	THREAD TAKE-UP LEVER PIN ASM.				1
2	22605307	THREAD TAKE-UP LEVER PIN		*		1
3	CQ202000000	OIL WICK		*		0.4
4	CQ252000000	OIL WICK		*		0.04
5	23204001	THREAD TAKE-UP LEVER D				1
6	22622351	SENSOR SUPPORT SHAFT ASM.	OPTIONAL PARTS			1
7	22622302	SENSOR SUPPORT SHAFT		*		1
8	BT0630520Z0	HOLDER COVER		*		0.01
9	22605406	TAKE-UP LEVER THRUST PIN				1
10	CQ252000000	OIL WICK				0.03
11	SS8150822TP	SCREW 15/64-28 L=8				2
12	22623201	SPROCKET WHEEL	FOR LH-3188			1
13	22680656	NEEDLE BAR CRANK PIN ASM.				1
14	CQ505000000	OIL WICK		*		0.03
15	SS8680540SP	SCREW 9/32-28 L= 4.5				1
16	B1202512000	MAIN SHAFT BUSHING, FRONT				1
17	SS7120760SP	SCREW 3/16-28 L= 7.0				2
18	SS6661110SP	SCREW 1/4-40 L=11				4
19	22604508	HAND WHEEL	FOR LH-3188			1
20	SS8151550SP	SCREW 15/64-28 L=15	FOR LH-3188			2
21	22651566	HAND WHEEL ASM.	FOR LH-3188-7			1
22	22651558	HAND WHEEL		*		1
23	22651509	HAND WHEEL		*		1
24	M4002110000	GENERATOR ROTOR		*		1
25	M40071100AA	MAGNET FITTING BASE A ASM.		*		1
26	M40071100AB	MAGNET FITTING BASE B ASM.		*		1
27	SS8151550SP	SCREW 15/64-28 L=15		*		2
28	SS6111210SP	SCREW 11/64-40 L=12		*		2
29	WP0450801SD	WASHER 4.5X10X0.8		*		2
30	22937965	DYNAMO STATOR	FOR LH-3188-7			1
31	10604809	SCREW	FOR LH-3188-7			2
32	22603906	UPPER SHAFT INNER METAL				1
33	22622401	SYNCRO FRNGE	OPTIONAL PARTS			1
34	22604656	THRUST COLLAR ASM.				1
35	22604607	THRUST COLLAR		*		1
36	SB120000100	BEARING D=20X47		*		1
37	RO437200200	RUBBER RING		*		1
38	SS8660530TP	SCREW 1/4-40 L= 4.5		*		2
39	22604409	COUNTERWEIGHT				1
40	SS7681750TP	SCREW 9/32-28 L=16.5				1
41	SS8681650TP	SCREW 9/32-28 L=16				1
42	SS8680810TP	SCREW 9/32-28 L=8.0				1
43	22604003	MAIN SHAFT				1
44	22604904	UPPER SPROCKET				1
45	22604300	TIMING BELT				1
46	22651608	SPROCKET WHEEL	FOR LH-3188-7			1



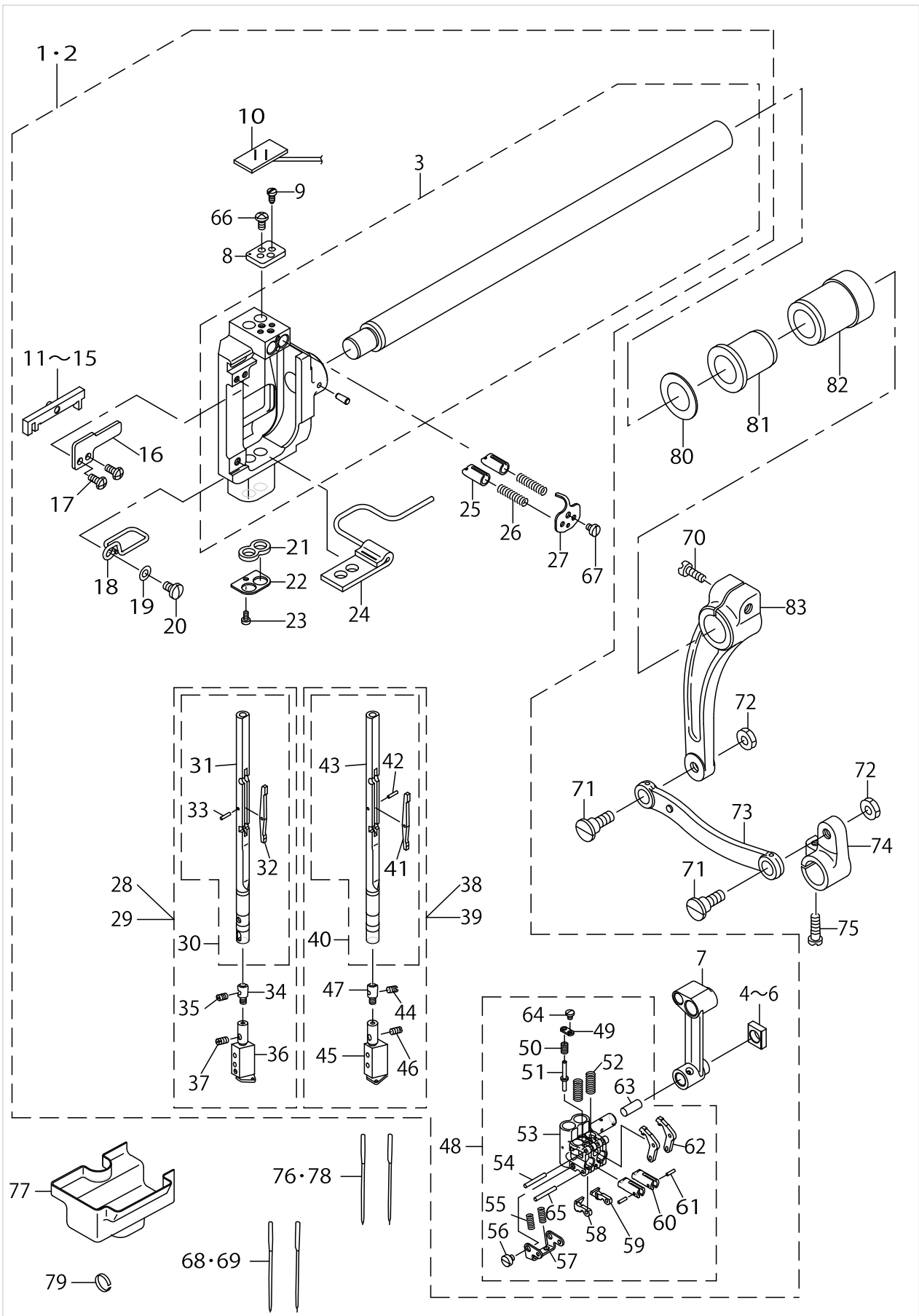
NEEDLE BAR COMPONENTS



NEEDLE BAR COMPONENTS

No.	Parts No.	Parts name	Remarks	Level	Cons	Qty
1	22682652	NEEDLE BAR FRAME ASM.	FOR LH-3188			1
2	22693451	NEEDLE BAR FRAME ASM.	LH-3188-7			1
3	23204951	NEEDLE BAR FRAME ASM.		*		1
4	23204506	ROCKING ROD SQUARE BLOCK A	SELECTIVE PARTS	*		1
5	23204605	ROCKING ROD SQUARE BLOCK B	SELECTIVE PARTS	*		1
6	23204704	ROCKING ROD SQUARE BLOCK C	SELECTIVE PARTS	*		1
7	22684609	NEEDLE BAR CRANK ROD		*		1
8	22682702	NEEDLE BAR SWIVEL STOPPER		*		1
9	22681712	STOPPER SCREW		*		2
10	22682850	FELT ASM.		*		1
11	22681951	SLIDER BLOCK ASM. A	SELECTIVE PARTS	*		1
12	22682058	SLIDER BLOCK ASM. B	SELECTIVE PARTS	*		1
13	22682157	SLIDE BLOCK	SELECTIVE PARTS	*		1
14	22682256	SLIDER BLOCK ASM. D	SELECTIVE PARTS	*		1
15	22682355	SLIDER BLOCK ASM. E	SELECTIVE PARTS	*		1
16	22681803	SLIDE BLOCK GUIDE PLATE		*		1
17	SS4090815SP	SCREW 9/64-40 L=8		*		2
18	22685903	FELT GUIDE		*		1
19	WP0450000SD	WASHER 4.5X8X0.5		*		1
20	SS7110710SP	SCREW 11/64-40 L=7		*		1
21	22686000	NEEDLE BAR OIL SEAL FELT, A		*		1
22	22685804	NEEDLE BAR OIL SEAL PLATE		*		1
23	SS6060510TP	SCREW 3/32-56 L=4.5		*		1
24	22686158	OIL SEAL FELT ASM., B		*		1
25	22681407	NEEDLE BAR STOPPER		*		2
26	22681506	SPRING		*		2
27	22681316	STOPPER SPRING COVER		*		1
28	22693253	NEEDLE BAR UNIT, LEFT	LH-3188-7	*		1
29	22685168	NEEDLE BAR UNIT, LEFT	FOR LH-3188	*		1
30	22685150	NEEDLE BAR ASM., LEFT		*		1
31	22685101	NEEDLE BAR, LEFT		*		1
32	22685200	SEESAW PLATE		*		1
33	22685408	NEEDLE BAR PIN		*		1
34	22682504	SPRING BEARING		*		1
35	B1425526000	SCREW 1/8-44 L=6		*		1
36	B1402528FALA	NEEDLE CLAMP ASM. 1/4	EXCHANGING GAUGE PARTS (SEE P.27~31)	*		1
37	B1425526000	SCREW 1/8-44 L=6		*		1
38	22685366	NEEDLE BAR UNIT, RIGHT	FOR LH-3188	*		1
39	22693352	NEEDLE BAR UNIT, RIGHT	LH-3188-7	*		1
40	22685358	NEEDLE BAR ASM., RIGHT		*		1
41	22685200	SEESAW PLATE		*		1
42	22685408	NEEDLE BAR PIN		*		1
43	22685309	NEEDLE BAR, RIGHT		*		1
44	B1425526000	SCREW 1/8-44 L=6		*		1
45	B1402528FARA	NEEDLE CLAMP ASM. 1/4	EXCHANGING GAUGE PARTS (SEE P.27~31)	*		1
46	B1425526000	SCREW 1/8-44 L=6		*		1

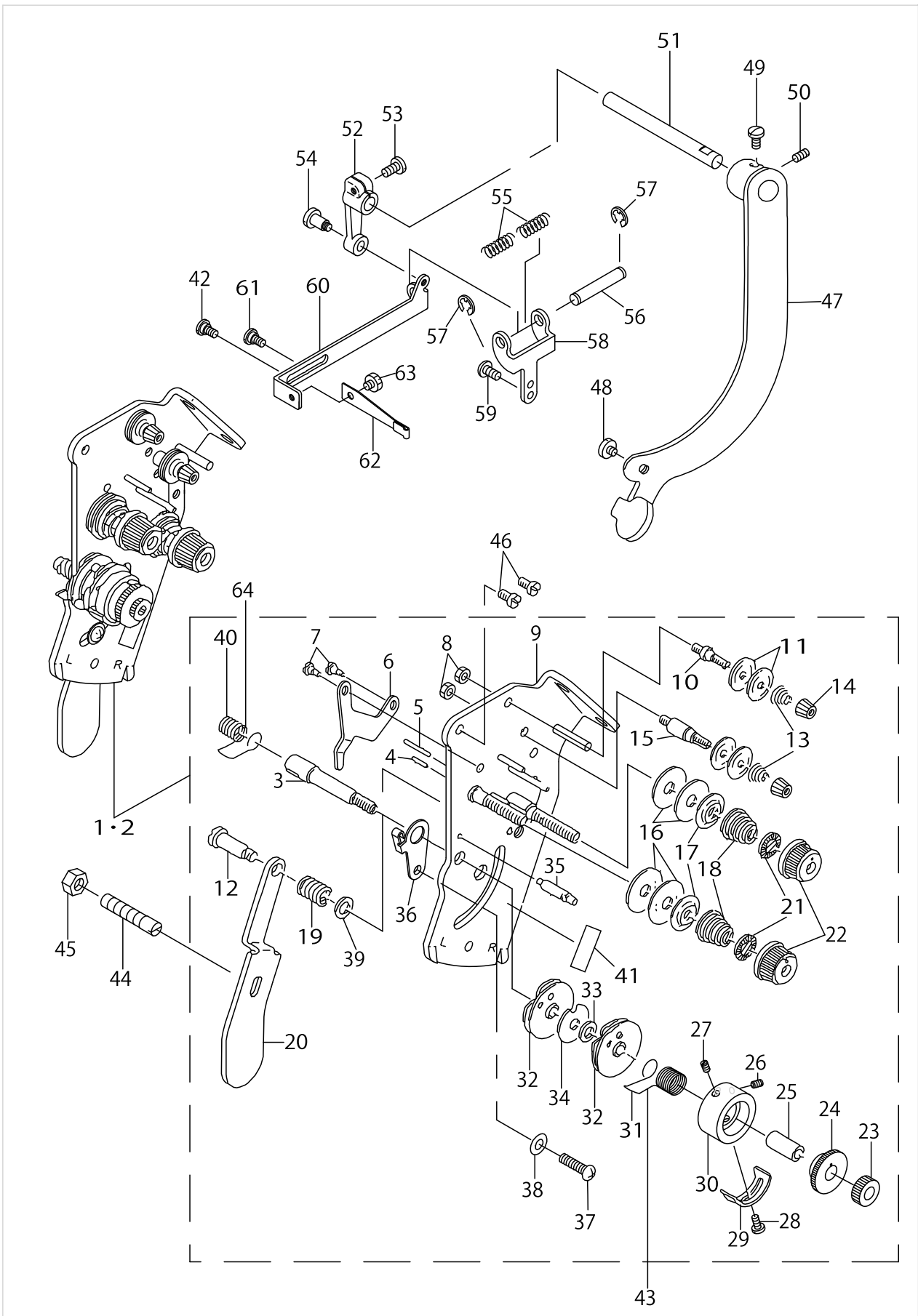
# NEEDLE BAR COMPONENTS



NEEDLE BAR COMPONENTS

No.	Parts No.	Parts name	Remarks	Level	Cons	Qty
47	22682504	SPRING BEARING		*		1
48	22683056	NEEDLE BAR CONNECTION ASM.		*		1
49	22683205	RELEASE PIN COVER		*		1
50	22683304	SPRING		*		1
51	22683106	RELEASE PIN		*		1
52	22683809	SPRING		*		2
53	22683007	NEEDLE BAR CONNECTION		*		1
54	22683403	NEEDLE BAR CONNECTION PIN		*		1
55	22684104	SPRING		*		2
56	SS6080340SP	SCREW 1/8-44 L=2.9		*		2
57	22684203	SPRING BRACKET		*		1
58	22683908	CLUTCH STOPPER, LEFT		*		1
59	22684005	CLUTCH STOPPER, RIGHT		*		1
60	22683502	NEEDLE BAR CLUTCH		*		2
61	B1705850000	STOPPER PIN		*		2
62	22683601	CLUTCH LEVER		*		2
63	CQ252000000	OIL WICK		*		0.03
64	SS7060310SP	SCREW 3/32-56 L=3		*		1
65	40015144	NEEDLE BAR CONNECTION PIN		*		1
66	SS4090715SP	SCREW 9/64-40 L=7		*		2
67	SS6080410SP	SCREW 1/8-44 L=6.4		*		1
68	MDP500B1400	NEEDLE DPX5 #14	TYPE S			2
69	MC200500900	NEEDLE 134 90	TYPE S			2
70	SS6152440SP	SCREW 15/64-28 L=23.5				1
71	SD0870601SP	HINGE SCREW D= 8.73 H= 6.0				2
72	NS6150430SP	NUT 15/64-28				2
73	22607105	DRIVING ROD				1
74	22607204	DRIVING ARM				1
75	SS6121610TP	SCREW 3/16-28 L=15.5				1
76	MDP500B2100	NEEDLE DPX5 #21	TYPE G			2
77	22685705	OIL GUARD RUBBER				1
78	MC200501300	NEEDLE 134 NM130	TYPE G			2
79	B1414512000	OIL WICK RETAINER				1
80	B1438512B00	WASHER 17.1X28X1.5	SELECTIVE PARTS			1
81	22607303	BUSHING				1
82	22607402	BUSHING				1
83	22607006	REAR ARM				1

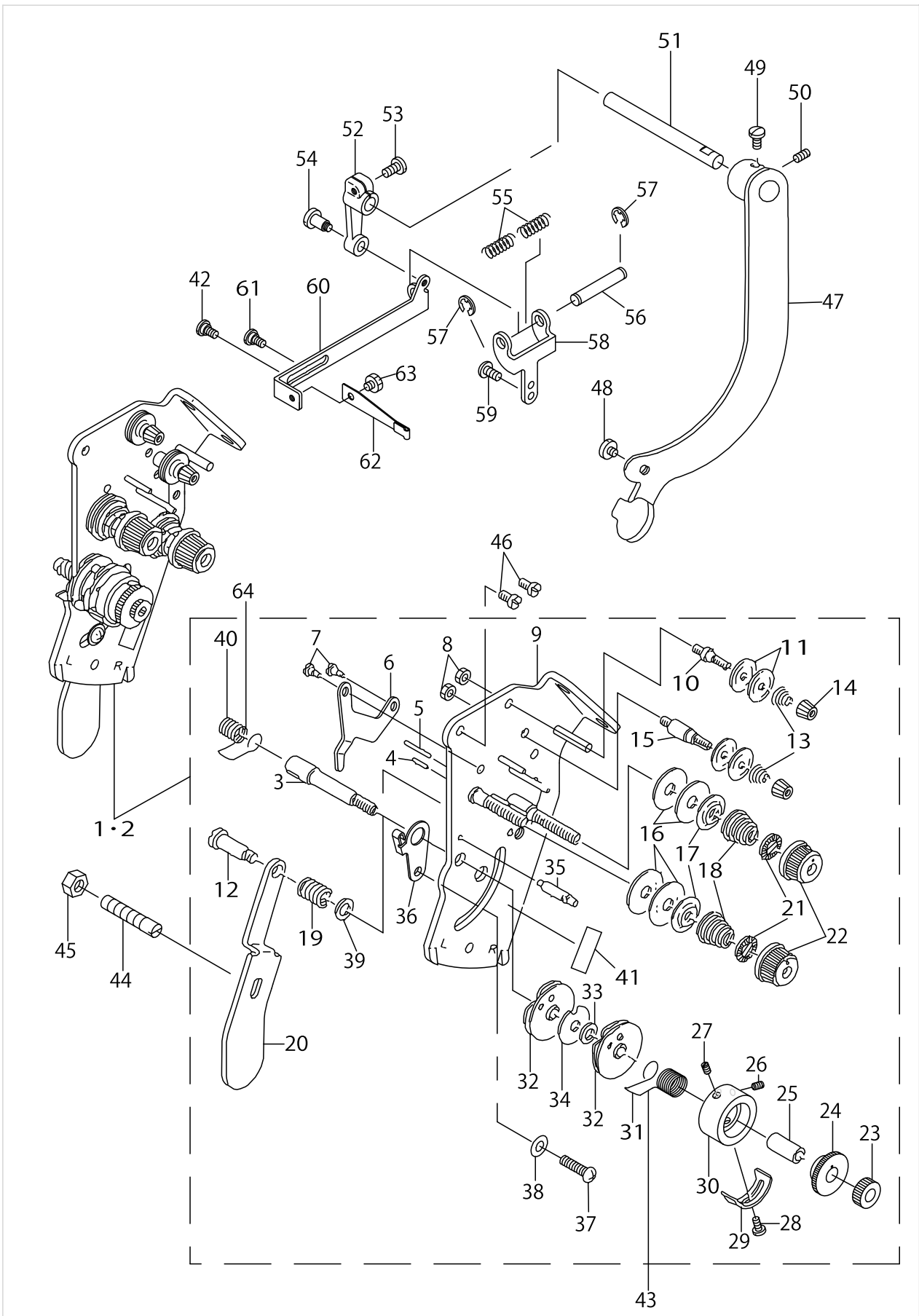
TENSION POST COMPONENTS



TENSION POST COMPONENTS

No.	Parts No.	Parts name	Remarks	Level	Cons	Qty
1	22689657	THREAD TENSION ASM.G	TYPE G			1
2	22689061	THREAD TENSION ASM., S	TYPE S			1
3	10697605	THREAD TAKE-UP SPRING STUD		*		1
4	22618201	TENSION RELEASE PIN, A		*		1
5	22618300	TENSION RELEASE PIN, B		*		1
6	22618102	TENSION RELEASE LEVER		*		1
7	SD0470281SP	HINGE SCREW D=4.7 H=2.8		*		2
8	NS6110310SP	NUT 11/64-40		*		2
9	22689053	TENSION BASE PLATE ASM.		*		1
10	10124204	THREAD TENSION POST, A		*		1
11	10741106	FIRST THREAD TENSION PLATE		*		4
12	SD0601171SP	HINGE SCREW D= 6 H=11.7		*		1
13	11093606	THREAD TENSION SPRING		*		2
14	11072402	THREAD TENSION NUT		*		2
15	10124303	THREAD TENSION POST, B		*		1
16	B3126012000	THREAD TENSION DISK		*		4
17	22617906	THREAD TENSION DISK PRESSER		*		2
18	B3114232000	THREAD TENSION SPRING		*		2
19	B1449526000	REPOSITIONING LEVER SPRING		*		1
20	22689103	REPOSITIONING LEVER		*		1
21	B3112704000	TENSION SPRING BUSHING		*		2
22	11956802	THREAD TENSION KNOB, BLUE		*		2
23	22617807	NUT		*		1
24	22617708	TAKE-UP SPRING GUIDE		*		1
25	B3141527000	PRESSER COLLAR		*		1
26	22618904	SET SCREW		*		1
27	22618904	SET SCREW		*		1
28	SS7090510SP	SCREW 9/64-40 L= 4.6		*		1
29	B3138527000	ADJUSTING PLATE B		*		1
30	22617609	THREAD TENSION POST		*		1
31	22618805	THREAD TAKE-UP SPRING B		*		1
32	B31375270A0	TAKE-UP SPRING GUIDE ASM.		*		2
33	B3139527000	COLLAR		*		1
34	B3142527000	TAKE-UP SPRING GUIDE PLATE		*		1
35	B3143527000	TAKE-UP SPRING GUIDE STUD		*		1
36	10697506	THREAD TENSION BRACKET, A		*		1
37	SS4110615SP	SCREW 11/64-40 L=6		*		1
38	WP0501016SD	WASHER 5X10.5X1		*		1
39	WP0450801SP	WASHER		*		1
40	22618706	THREAD TAKE-UP SPRING A		*		1
41	22689301	LABEL		*		1
42	SD0640241SP	HINGE SCREW D= 6.35 H= 2.4				1
43	22835805	TENSION SPRING(RIGHT) 0.8	OPTIONAL PARTS			1
44	22689202	LEVER PIN SCREW				1
45	NS6120310SP	NUT 3/16-28				1
46	SS4120615SP	SCREW 3/16-28 L=6				2
47	22687453	REPOSITIONING LEVER ASM.				1

TENSION POST COMPONENTS

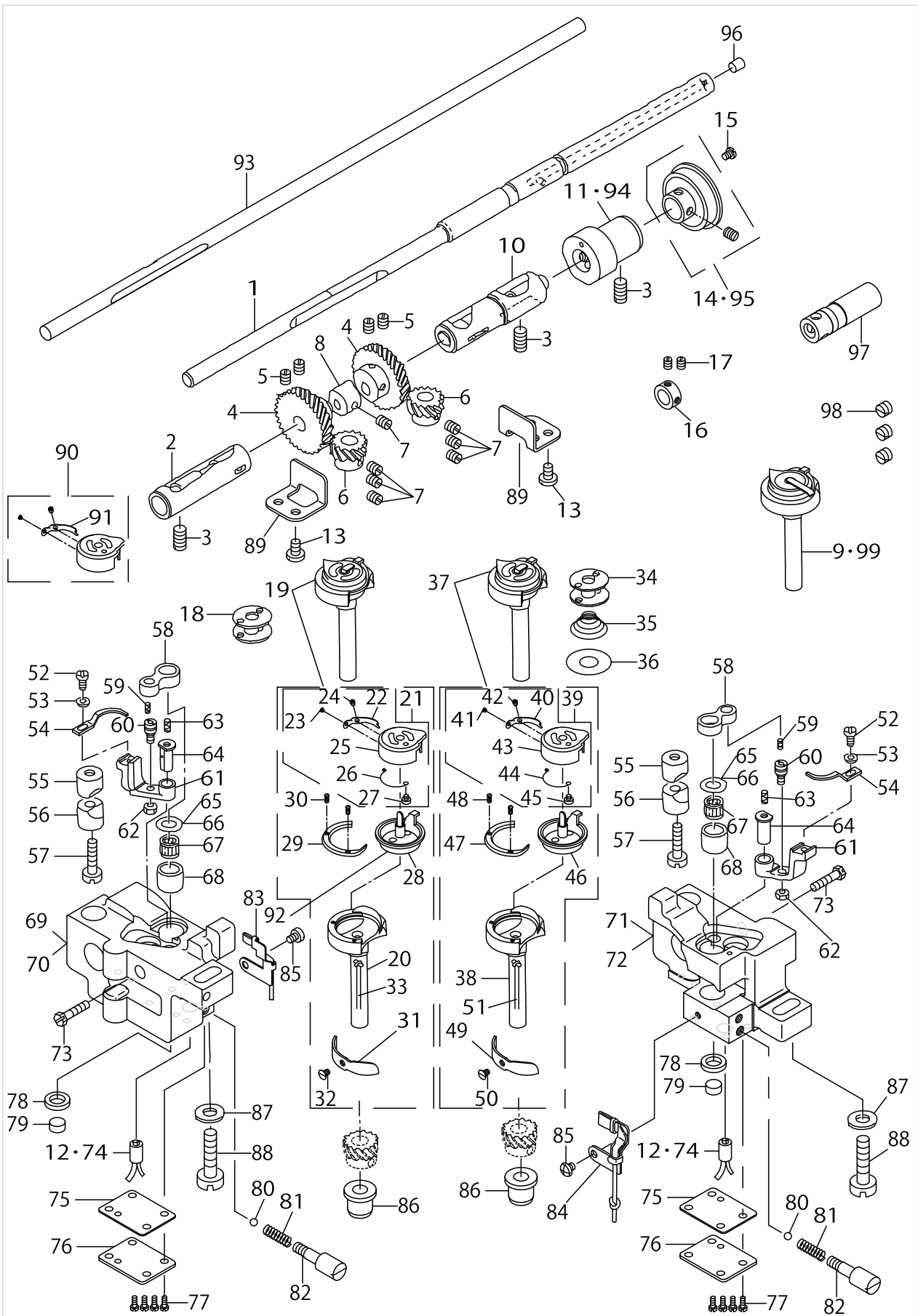


TENSION POST COMPONENTS

No.	Parts No.	Parts name	Remarks	Level	Cons	Qty
48	SS6110430TP	SCREW 11/64-40 L= 4.0				1
49	SS7110740TP	SCREW 11/64-40 L=7				1
50	SS8110520TP	SCREW 11/64-40 L= 4.5				1
51	22687305	REPOSITIONING LEVER SHAFT				1
52	22687800	REPOSITIONING ARM				1
53	SS7111410TP	SCREW 11/64-40 L=14				1
54	SD0640752TP	HINGE SCREW D= 6.35 H= 7.5				1
55	22687503	SPRING				2
56	22687701	SPRING SHAFT				1
57	RE0700000K0	E-RING 7				2
58	22687602	SPRING BASE				1
59	SS4120915SP	SCREW 3/16-28 L=9				2
60	22687107	REPOSITIONING PLATE				1
61	SD0640241SP	HINGE SCREW D= 6.35 H= 2.4				1
62	22687008	LEAF SPRING				1
63	SS9110460CP	SCREW 11/64-40 L=4				1
64	B3128520000	TENSION SPRING	OPTIONAL PARTS			1



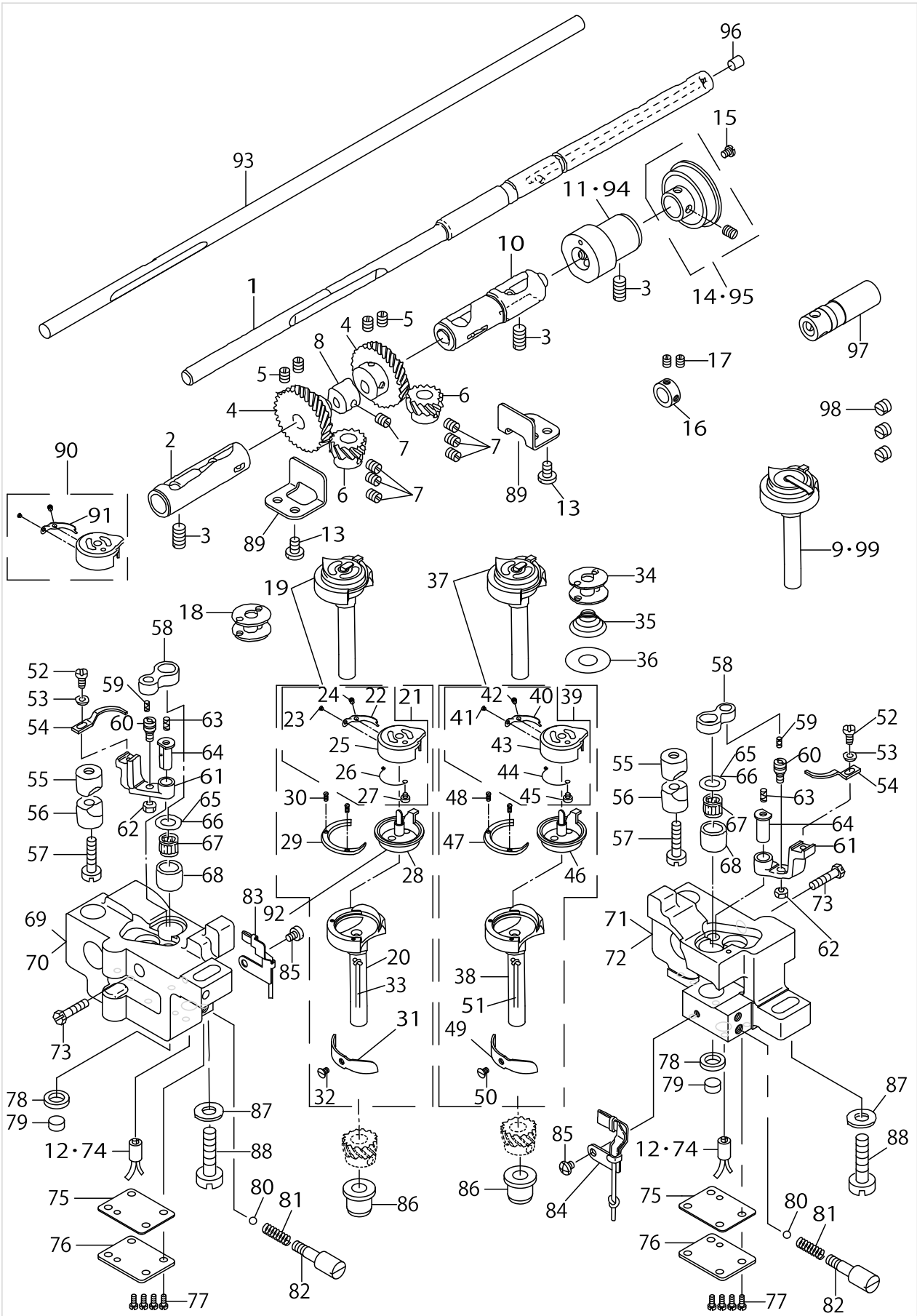
HOOK & HOOK DRIVING SHAFT COMPONENTS



HOOK & HOOK DRIVING SHAFT COMPONENTS

No.	Parts No.	Parts name	Remarks	Level	Cons	Qty
1	10108512	HOOK DRIVING SHAFT	FOR LH-3188-7			1
2	B18025120A0A	BUSHING ASM., FRONT	EXCHANGING GAUGE PARTS (SEE P.31)			1
3	SS8151150SP	SCREW 15/64-28 L=10.5				3
4	B1816512000	HOOK DRIVING SHAFT, LARGE				2
5	SS8660810TP	SCREW 1/4-40 L=8				4
6	10112001	HOOK SHAFT GEAR, A	SELECTIVE PARTS			2
7	SS8660530TP	SCREW 1/4-40 L= 4.5				7
8	22609804	FEED DRIVING CAM				1
9	22820666	THREAD CUTTER SWING HOOK ASM.	FOR LH-3188-7 , JS			2
10	B18035150A0	BUSHING ASM., INTERMEDIATE	EXCHANGING GAUGE PARTS (SEE P.31)			1
11	10108611	PLUNGER BUSHING	FOR LH-3188-7			1
12	22615462	RUBBER BUSHING ASM.	OPTION PARTS			2
13	SS7110710SP	SCREW 11/64-40 L=7				4
14	10611457	THRUST COLLAR ASM.	FOR LH-3188-7			1
15	SS7120760SP	SCREW 3/16-28 L= 7.0				2
16	CS1471012SH	THRUST COLLAR D=14.72 W=10	FOR LH-3188-7			1
17	SS8660530TP	SCREW 1/4-40 L= 4.5	FOR LH-3188-7			2
18	B9117563000	BOBBIN	FOR LH-3188			2
19	22827158	HOOK ASM.	FOR LH-3188			2
20	22813505	HOOK		*		2
21	22827257	BOBBIN CASE ASM.		*		2
22	22827406	SPRING(0.3)		*		2
23	10110500	TENSION SPRING INSTALLING SCRE		*		2
24	10110609	TENSION ADJUSTING SCREW		*		2
25	22827208	BOBBIN CASE		*		2
26	22827307	SPRING		*		2
27	SS6560150SH	SCREW 3/32-80 L=1.3		*		2
28	22827109	INNER HOOK (SHUTTLE)		*		2
29	22813604	HOOK GIB		*		2
30	10112803	SCREW		*		6
31	22813703	NEEDLE POSITIONER		*		2
32	22814008	SCREW		*		4
33	22612501	LILLYARN		*		2
34	10231603	BOBBIN	FOR LH-3188-7			2
35	22819908	SPRING	FOR LH-3188-7			2
36	22819809	SHEET	FOR LH-3188-7			2
37	22831259	HOOK ASM.	FOR LH-3188-7			2
38	22819502	HOOK		*		2
39	22827257	BOBBIN CASE ASM.		*		2
40	22827406	SPRING(0.3)		*		2
41	10110500	TENSION SPRING INSTALLING SCRE		*		2
42	10110609	TENSION ADJUSTING SCREW		*		2
43	22827208	BOBBIN CASE		*		2
44	22827307	SPRING		*		2
45	SS6560150SH	SCREW 3/32-80 L=1.3		*		2
46	22819403	CAP HOOK		*		2

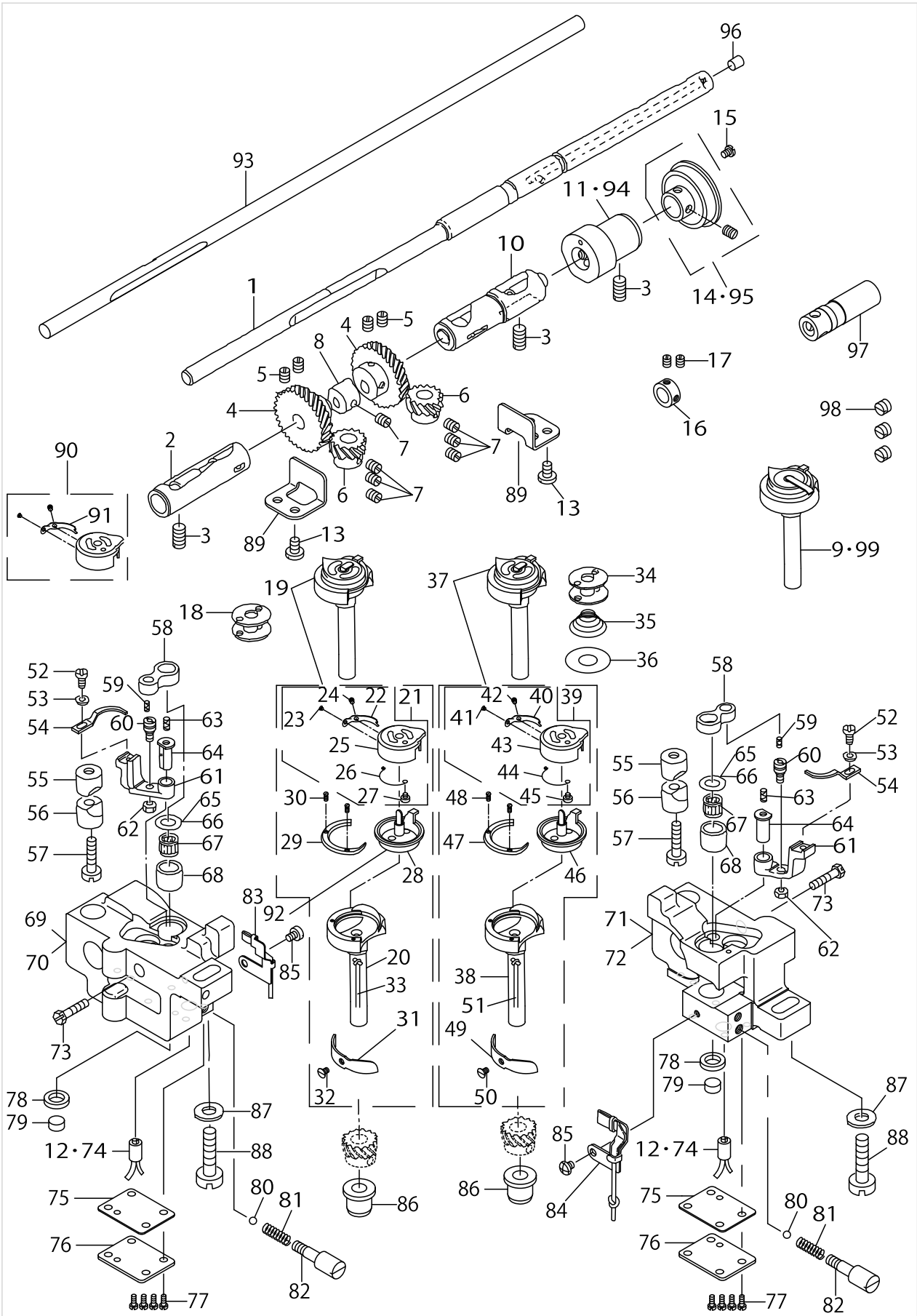
HOOK & HOOK DRIVING SHAFT COMPONENTS



## HOOK & HOOK DRIVING SHAFT COMPONENTS

No.	Parts No.	Parts name	Remarks	Level	Cons	Qty
47	22819304	HOOK GIB		*		2
48	10112803	SCREW		*		6
49	22813703	NEEDLE POSITIONER		*		2
50	22814008	SCREW		*		4
51	22612501	LILYARN		*		2
52	SS6090810SP	SCREW 9/64-40 L= 7.5				2
53	WP0371016SD	WASHER 3.7X8X1				2
54	22813208	BOBBIN CASE OPENING LEVER				2
55	10109908	SADDLE INSTALLING BLOCK, UPPER				2
56	10112407	SADDLE INSTALLING BLOCK, LOWER				2
57	SS6153040SP	SCREW 15/64-28 L=30				2
58	22813000	BOBBIN CASE OPENING LEVER LINK				2
59	CQ202000000	OIL WICK				0.03
60	B1821051000	CRANK SCREW STUD				2
61	22813109	OPENING LEVER CRANK				2
62	NS6110420SP	NUT 11/64-40				2
63	CQ202000000	OIL WICK				0.05
64	B1823051000	OPENING LEVER CRANK PIN				2
65	22614101	THRUST WASHER, B	SELECTIVE PARTS FOR LH-3188			2
66	10111201	THRUST WASHER, F	SELECTIVE PARTS FOR LH-3188-7			2
67	SB30953010A	NEEDLE BEARING 9.525X9.52	SELECTIVE PARTS			2
68	22812952	BUSHING				2
69	22812606	HOOK SHAFT SADDLE, LEFT	FOR LH-3188			1
70	22819106	HOOK SHAFT SADDLE, LEFT	FOR LH-3188-7			1
71	22812507	HOOK SHAFT SADDLE, RIGHT	FOR LH-3188			1
72	22819007	HOOK SHAFT SADDLE, RIGHT	FOR LH-3188-7			1
73	SS7111810SP	SCREW 11/64-40 L=18				2
74	22615454	RUBBER BUSHING ASM.				2
75	22615108	GASKET				2
76	22615009	HOOK SHAFT SADDLE COVER				2
77	SS4110815SP	SCREW 11/64-40 L=8				8
78	22615306	FELT HOLDER				2
79	22615207	FELT				2
80	22615702	OIL ADJUSTING BALL				2
81	D3171415B0H	PRESSER SPRING				2
82	22615801	OIL ADJUSTING SCREW				2
83	22615959	OIL WICK HOLDER ASM. LEFT				1
84	22616254	OIL WICK HOLDER ASM. RIGHT				1
85	SS4110515SP	SCREW 11/64-40 L=5				2
86	22613400	HOOK DRIVING SHAFT BUSHING				2
87	WP0850002SP	WASHER 8.5X18X1.6				2
88	SM6082502TP	SCREW M8 L=25				2
89	22613608	GEAR GUIDE				2
90	22827653	BOBBIN CASE ASM.	OPTION PARTS			1
91	22827505	TENSION SPRING		*		1
92	22827703	HOOK	OPTION PARTS			1

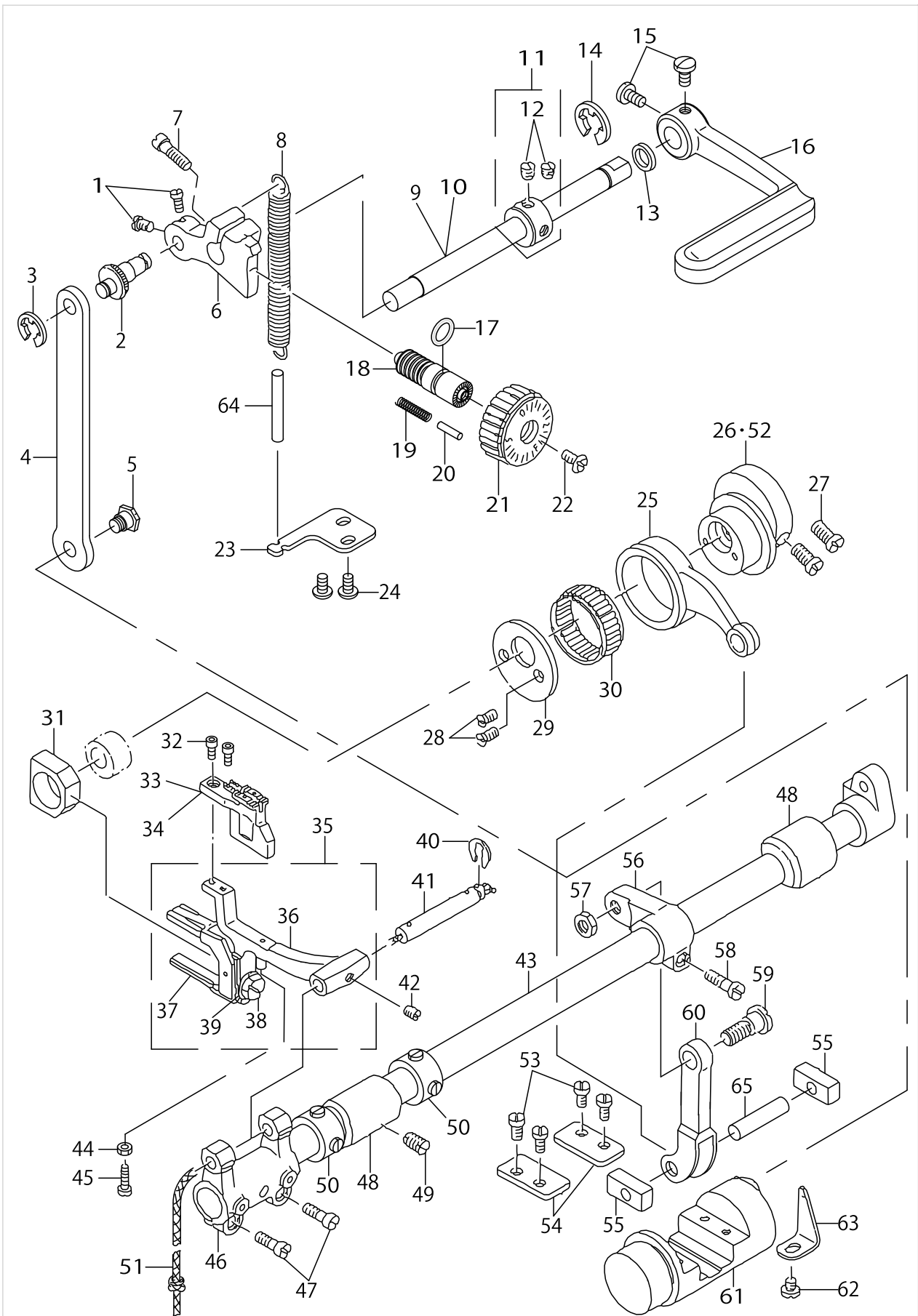
HOOK & HOOK DRIVING SHAFT COMPONENTS



## HOOK & HOOK DRIVING SHAFT COMPONENTS

No.	Parts No.	Parts name	Remarks	Level	Cons	Qty
93	22623102	LOWER SHAFT B	FOR LH-3188			1
94	22611701	PLUNGER BUSHING, B	FOR LH-3188			1
95	22611651	THRUST COLLAR ASM., B	FOR LH-3188			1
96	TA0500601M0	PLUG D=5X5.4 L=6	FOR LH-3188-7			1
97	22611909	OIL PUMP SHAFT	FOR LH-3188			1
98	SS8660530TP	SCREW 1/4-40 L= 4.5	FOR LH-3188			3
99	22813455	HOOK ASM.	FOR LH-3188 , JS			2

FEED MECHANISM COMPONENTS

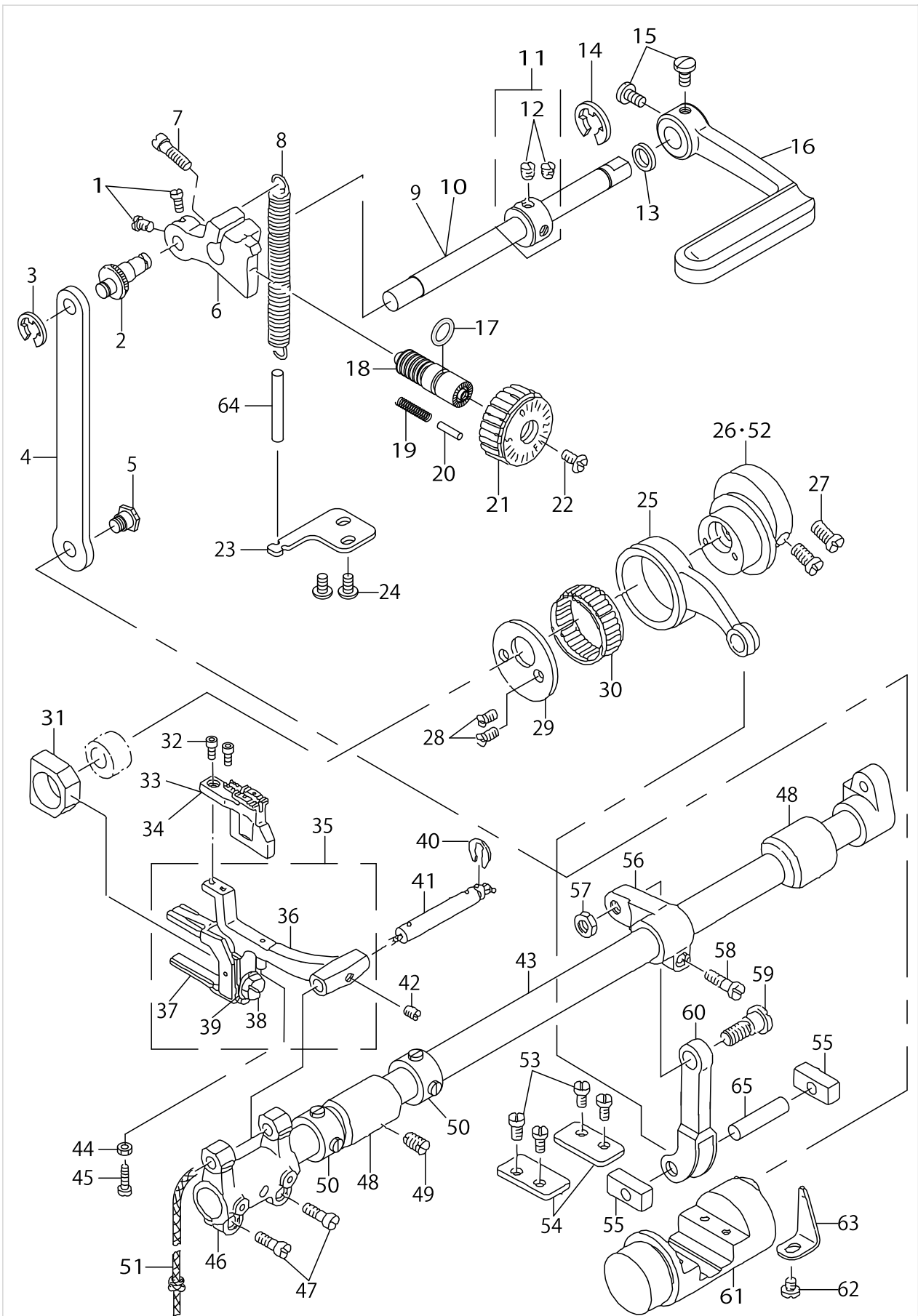


FEED MECHANISM COMPONENTS

No.	Parts No.	Parts name	Remarks	Level	Cons	Qty
1	SS6090670TP	SCREW 9/64-40 L=6				2
2	22610109	ROD PIN				1
3	RE0500000K0	E-RING				1
4	22610208	FEED REGULATOR CONNECTING ROD				1
5	SD0800422CP	HINGE SCREW D= 8 H= 4.2				1
6	22610000	FEED REGULATOR				1
7	SS7121410SP	SCREW 3/16-28 L=14				1
8	22610307	FEED REGULATOR SPRING				1
9	22610604	REVERSE FEED SHAFT				1
10	22652101	REVERSE FEED SHAFT	FOR LH-3188-7-WB, -OB			1
11	CS102121ASH	THRUST COLLAR ASM. D=10.2 W=12				1
12	SS8660610TP	SCREW 1/4-40 L=6		*		2
13	10108009	OIL SEAL				1
14	RE0900000K0	E-RING 9				1
15	SS7120910SP	SCREW 3/16-28 L=9				2
16	22610505	REVERSE FEED CONTROL LEVER				1
17	RO092270200	RUBBER RING				1
18	22911804	FEED REGULATOR SCREW				1
19	22912109	FEED REGULATOR PIN SPRING				1
20	22912000	FEED REGULATOR PIN				1
21	22911903	FEED DIAL				1
22	SS6121860SP	SCREW 3/16-28 L=18				1
23	22610406	SPRING BRACKET				1
24	SS4110815SP	SCREW 11/64-40 L=8				2
25	22609200	FEED ROCK SHAFT CONNECTING ROD				1
26	22652002	FEED DRIVE ECCENTRIC CAM	FOR LH-3188-7			1
27	SS6661110SP	SCREW 1/4-40 L=11				2
28	SS7110710SP	SCREW 11/64-40 L=7				2
29	22609101	CAM COVER				1
30	B1636581B00	NEEDLE BEARING B				1
31	B1610512000	FEED DRIVING SLIDE BLOCK				1
32	SS6580752TP	SCREW 1/8-40 L=7				2
33	22815609	FEED DOG(D=2.4) 1/4"(6.4MM)	EXCHANGING GAUGE PARTS F-OR LH-3188(SEE P.27~31)			1
34	22821409	FEED DOG(D=2.4) 1/4	EXCHANGING GAUGE PARTS F-OR LH-3188-7(SEE P.27~31)			1
35	22609754	FEED BAR ASM.				1
36	22609705	FEED BAR		*		1
37	10107902	FEED BAR FORK		*		1
38	SS9151440CP	SCREW 15/64-28 L=14		*		1
39	WP0621016SD	WASHER 6.2X13X1		*		1
40	RE0500711KP	SNAP RING 5				1
41	B1604012000A	FEED BAR SHAFT				1
42	SM8050502TP	SCREW M5 L=5				1
43	22609408	FEED ROCK SHAFT				1
44	NS6080210SP	NUT 1/8-44				1
45	SS6081810SP	SCREW 1/8-44 L=18.0				1
46	B1603512000	FEED ROCKER				1



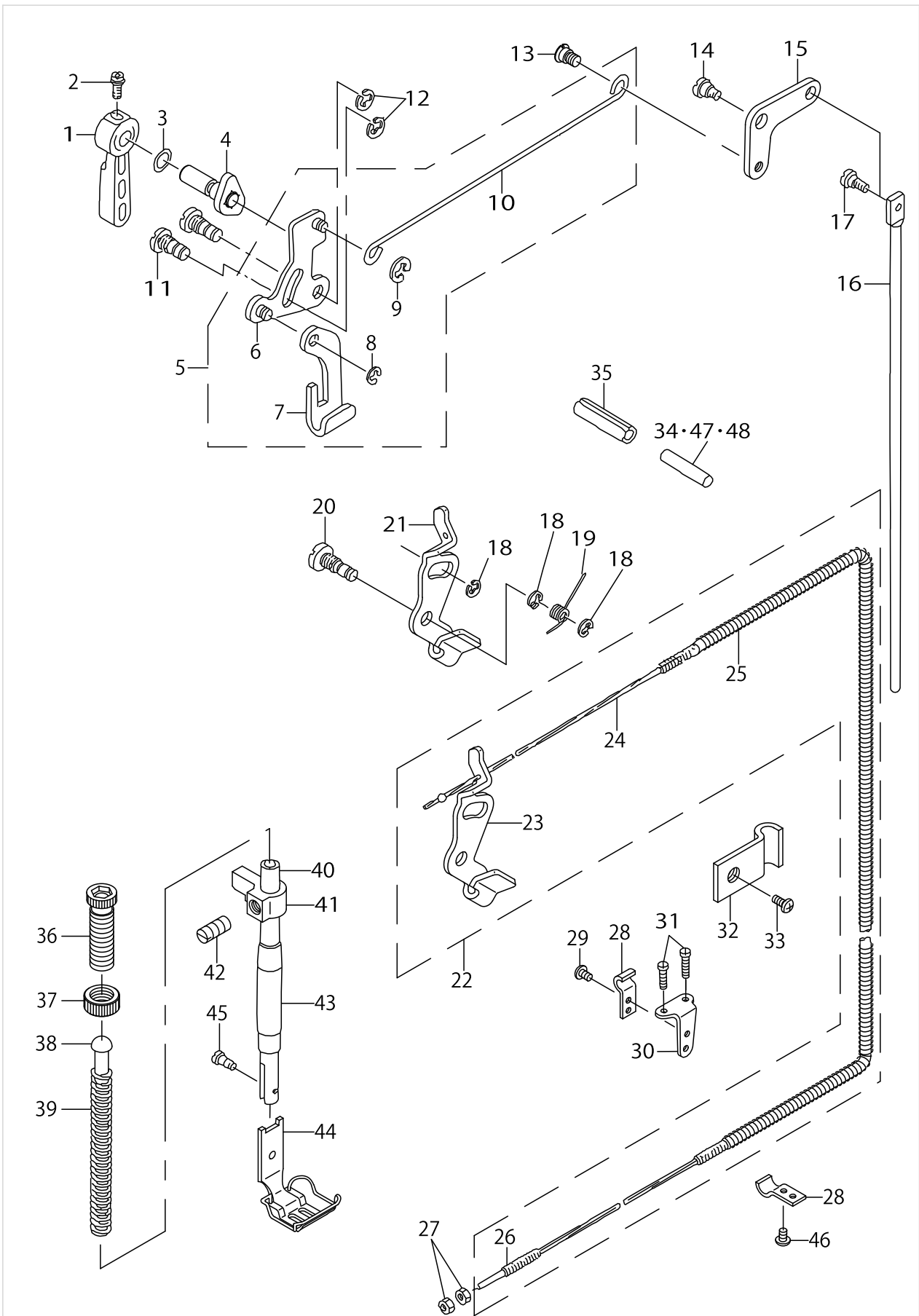
FEED MECHANISM COMPONENTS



FEED MECHANISM COMPONENTS

No.	Parts No.	Parts name	Remarks	Level	Cons	Qty
47	SS7111310TP	SCREW 11/64-40 L=12.8				2
48	10106102	BUSHING				2
49	SS8151150SP	SCREW 15/64-28 L=10.5				1
50	22904155	MAIN SHAFT THRUST COLLAR ASM.				2
51	CQ252000000	OIL WICK				0.26
52	22609002	FEED DRIVE ECCENTRIC CAM, B	FOR LH-3188			1
53	SS7110910SP	SCREW 11/64-40 L=8.5				4
54	10315505	PLATE				2
55	22609606	FEED DRIVING ROCKER BLOCK, S				2
56	22609309	FEED ROCKER SHAFT CRANK				1
57	NS6680320SP	NUT 9/32-28				1
58	SS6121610TP	SCREW 3/16-28 L=15.5				1
59	SD0900701TP	HINGE SCREW D= 9 H= 7				1
60	10315208	FEED ROCK CONNECTING ROD				1
61	10315455	FEED DRIVING ROCKER ASM.				1
62	SS7110510SP	SCREW 11/64-40 L=5				1
63	B1633470000	STOPPER PLATE				1
64	BT0500300EA	OIL TUBE				0.09
65	B1653470000	PIN				1

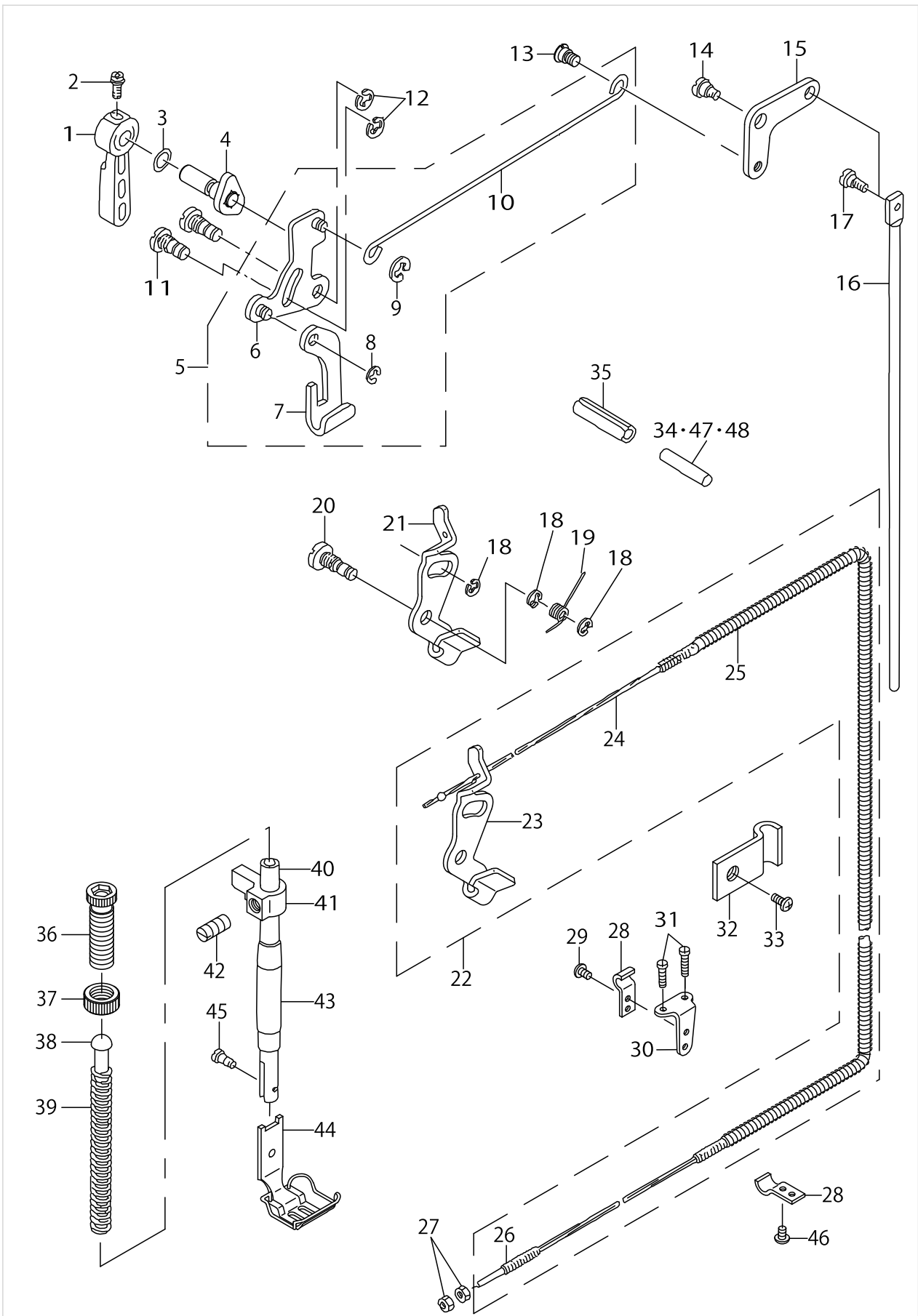
PRESSER BAR & TENSION RELEASE COMPONENTS



PRESSER BAR & TENSION RELEASE COMPONENTS

No.	Parts No.	Parts name	Remarks	Level	Cons	Qty
1	22907802	HAND LIFTER				1
2	B1521555000	SCREW				1
3	RO037180100	RUBBER RING				1
4	22908552	HAND LIFTER CAM ASM.				1
5	22608152	LIFTING LEVER ROD ASM.				1
6	11006350	HAND LIFTER LINK		*		1
7	11006202	LIFTING LEVER		*		1
8	11007309	E-RING		*		1
9	RE0500000K0	E-RING		*		1
10	22608103	LIFTING LEVER CONNECTING ROD		*		1
11	40034204	HAND LIFTER SCREW				2
12	RE0500000K0	E-RING				2
13	22908909	HINGE SCREW				1
14	SD0720332SP	HINGE SCREW D= 7.24 H= 3.3				1
15	22908800	KNEE LIFTER LINK				1
16	10125201	CONNECTING ROD, VERTICAL				1
17	SD0600322SD	HINGE SCREW D=6 H=3.2				1
18	RE0500000K0	E-RING				3
19	22920201	RETURN SPRING				1
20	11018108	TENSION RELEASE SHAFT				1
21	22617104	TENSION RELEASE PLATE	FOR LH-3188			1
22	22654958	TENSION RELEASE PLATE ASM.	FOR LH-3188-7			1
23	22617104	TENSION RELEASE PLATE		*		1
24	11394509	WIRE CABLE		*		1
25	22654909	WIRE TUBE		*		1
26	D3159555B00	SET SCREW		*		1
27	NS6620310SP	NUT 3/16-32	FOR LH-3188-7			2
28	D3164555B00	OUTER PRESSER PLATE	FOR LH-3188-7			2
29	SS4110715SP	SCREW 11/64-40 L=7	FOR LH-3188-7			1
30	D3163555B00A	FLEXIBLE TUBE SUPPORT PLATE	FOR LH-3188-7			1
31	SS4111215SP	SCREW 11/64-40 L=12	FOR LH-3188-7			2
32	22620801	PIPE HOLDER	FOR LH-3188-7			1
33	SS4111015SP	SCREW 11/64-40 L=10	FOR LH-3188-7			1
34	22617005	PUSH BAR	SELECTIVE PARTS			1
35	PS0600502KP	SPRING PIN				1
36	22907505	PRESSER SPRING REGULATOR				1
37	22907604	PRESSER SPRING REGULATOR NUT				1
38	22907703	PRESSER GUIDE BAR				1
39	B1505227T00A	PRESSER SPRING T				1
40	B1501581000	PRESSER BAR				1
41	40017058	PRESSER BAR HOLDER				1
42	SS8660810TP	SCREW 1/4-40 L=8				1
43	22907109	PRESSER BAR BUSHING, LOWER				1
44	22816755	PRESSER FOOT ASM. 1/4	EXCHANGING GAUGE PARTS (SEE P.27~31)			1
45	SS7090910TP	SCREW 9/64-40 L= 8.5				1
46	SS4110515SP	SCREW 11/64-40 L=5	FOR LH-3188-7			1

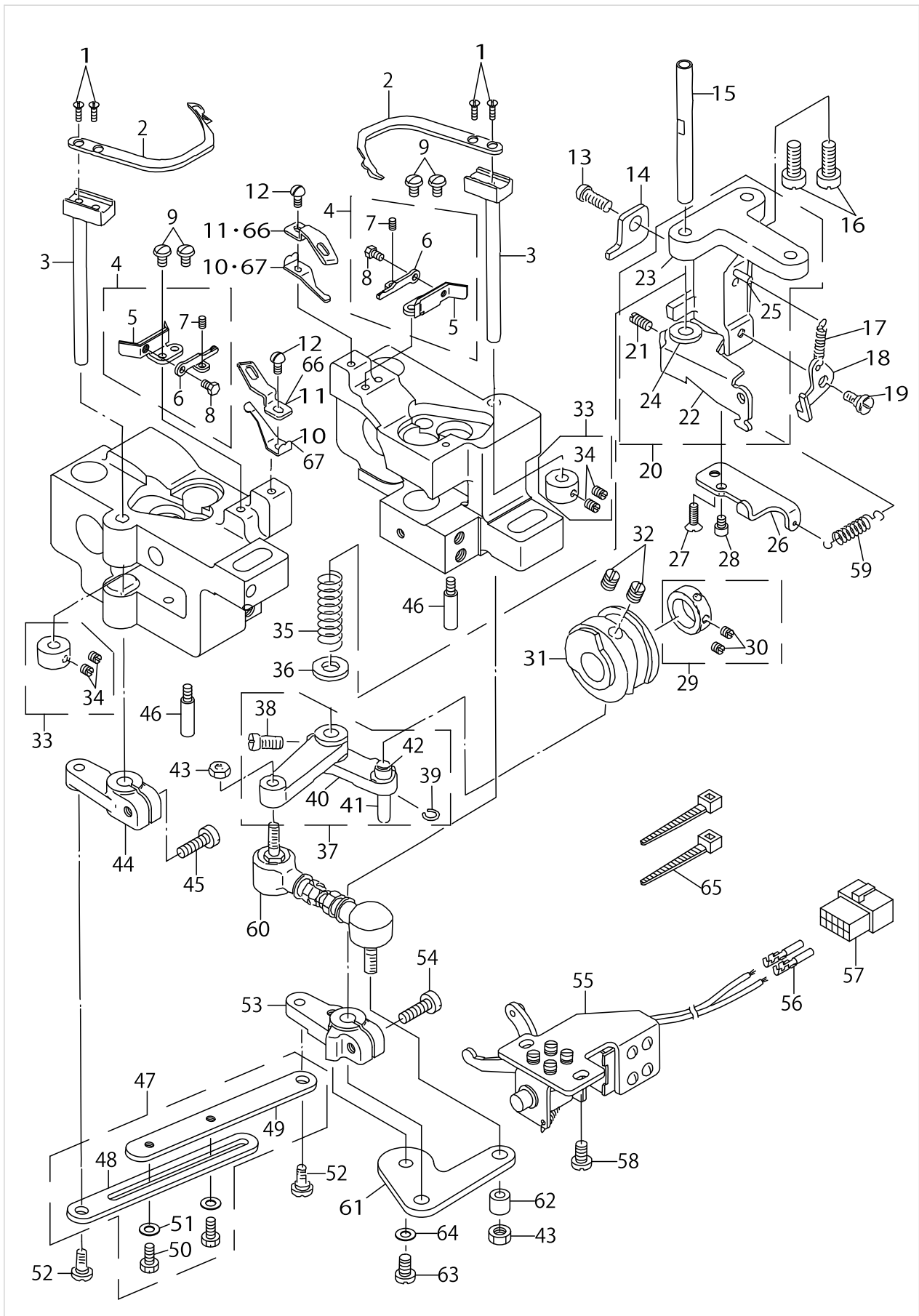
PRESSER BAR & TENSION RELEASE COMPONENTS



PRESSER BAR & TENSION RELEASE COMPONENTS

No.	Parts No.	Parts name	Remarks	Level	Cons	Qty
47	40030133	PUSH BAR	SELECTIVE PARTS			1
48	40039672	PUSH BAR	SELECTIVE PARTS			1

THREAD TRIMMER MECHANISM COMPONENTS (FOR LH-3188-7)

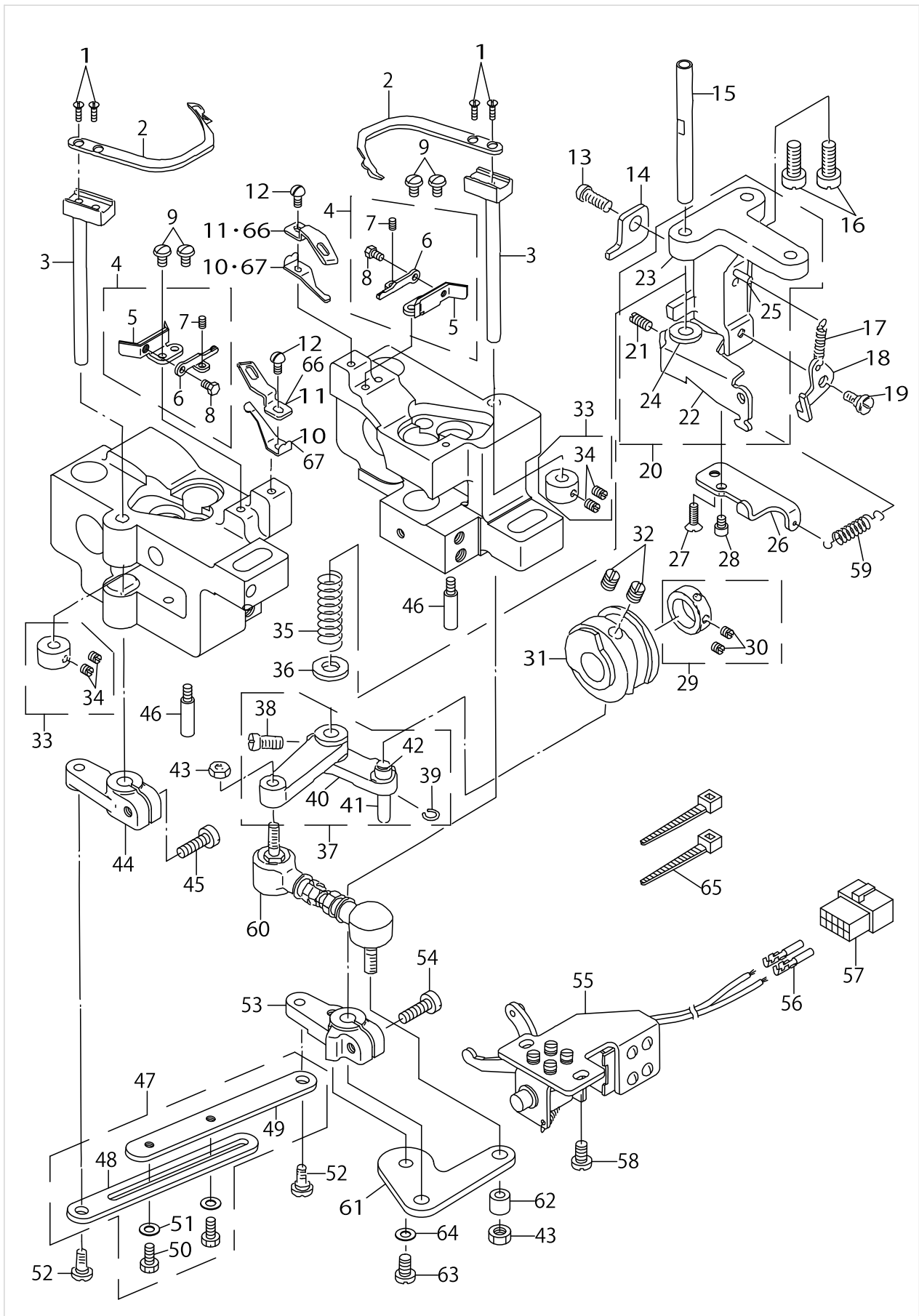


THREAD TRIMMER MECHANISM COMPONENTS (FOR LH-3188-7)

No.	Parts No.	Parts name	Remarks	Level	Cons	Qty
1	SS2080810SP	SCREW 1/8-44 L=7.5				4
2	10211605	MOVING KNIFE				2
3	10116051	MOVING KNIFE SHAFT ASM.				2
4	22820153	MOVING KNIFE SUPPORT ASM. B				2
5	22820104	MOVING KNIFE SUPPORT B		*		2
6	10211407	THREAD PRESSER ADJUSTING PLATE		*		2
7	SS8080610SP	SCREW 1/8-44 L=5.5		*		2
8	SS9080410SP	SCREW 1/8-44 L=4.3		*		2
9	SS5090610SP	SCREW 9/64-40 L=6				4
10	22820203	THREAD PRESSER G	TYPE G			2
11	22820302	COUNTER KNIFE G	TYPE G			2
12	SS7090710SP	SCREW 9/64-40 L= 6.8				2
13	SS6121212TP	SCREW 3/16-28 L=12.0				1
14	22654800	STOPPER, A				1
15	10116804	SHAFT				1
16	SS7151610SP	SCREW 15/64-28 L=16				2
17	B3418180000	SPRING				1
18	10117208	TENSION DISC RELEASE PLATE				1
19	SD0600271SP	HINGE SCREW D= 6 H= 2.7				1
20	22655153	LINK INSTALLING BASE ASM.				1
21	SS8111010TP	SCREW 11/64-40 L=9.5		*		1
22	22655104	TENSION DISC RELEASE ARM		*		1
23	10116606	LINK INSTALLING BASE		*		1
24	10117109	BUSHING		*		1
25	PS0300201KP	SPRING PIN 3.0X20		*		1
26	40012461	STOPPER PLATE				1
27	SS2110920TP	SCREW 11/64-40 L=8.5				1
28	SS6111052TP	SCREW				1
29	CS1470710SH	THRUST COLLAR ASM. D=14.72 W=7				1
30	SS8110410TP	SCREW 11/64-40 L= 3.5		*		2
31	22654107	THREAD TRIMMER CAM				1
32	SS8660810TP	SCREW 1/4-40 L=8				2
33	CS070081BSH	THRUST COLLAR ASM. D=7 W=8				2
34	SS8110510SP	SCREW 11/64-40 L=5		*		4
35	10116903	SPRING				1
36	WP0753016SZ	WASHER 7.5X16.0X3.0				1
37	10116754	CAM INSTALLING LINK ASM.				1
38	SS6151220SP	SCREW 15/64-28 L=11.5		*		1
39	D2430555B00	SNAP RING		*		1
40	10116705	CAM INSTALLING LINK		*		1
41	D2428555B00A	CAM ROLLER SHAFT		*		1
42	D2427555B00B	CAM ROLLER		*		1
43	NM6050001SP	NUT M5				2
44	22654404	DRIVING ARM, LEFT				1
45	SS6121610TP	SCREW 3/16-28 L=15.5				1
46	B1515051000	HAND LIFTER PIN				2
47	22654552	CONNECTING LINK ASM.				1



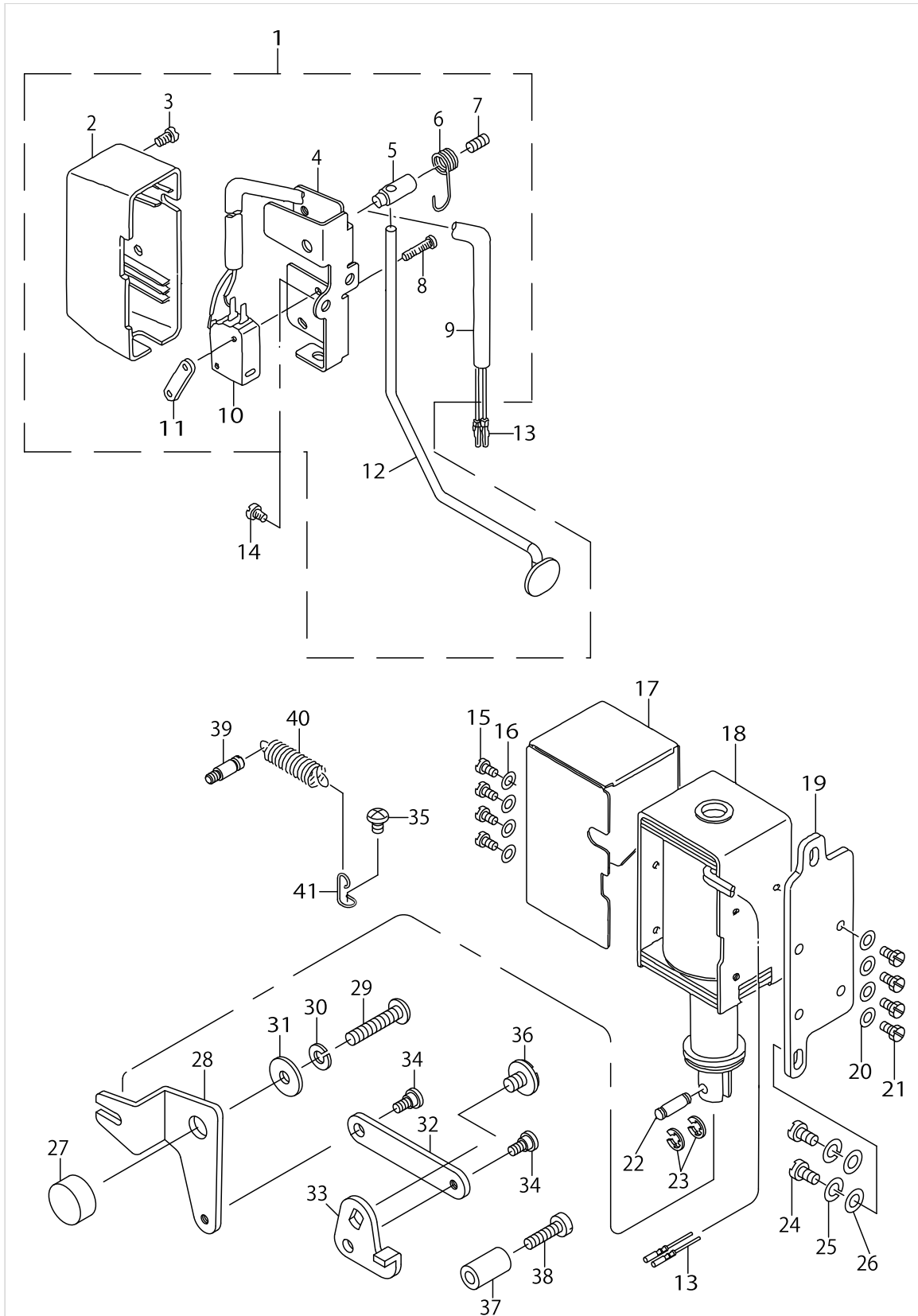
THREAD TRIMMER MECHANISM COMPONENTS (FOR LH-3188-7)



THREAD TRIMMER MECHANISM COMPONENTS (FOR LH-3188-7)

No.	Parts No.	Parts name	Remarks	Level	Cons	Qty
48	22654503	CONNECTING LINK, A		*		1
49	22654602	CONNECTING LINK, B		*		1
50	SS9111010SP	SCREW 11/64-40 L=9.5		*		2
51	WP0501016SD	WASHER 5X10.5X1		*		2
52	SD0650305TP	HINGE SCREW D= 6.5 H= 3				2
53	22654305	DRIVING ARM, RIGHT				1
54	SS6121610TP	SCREW 3/16-28 L=15.5				1
55	10117851	SOLENOID ASM.				1
56	HK03464000B	PIN CONTACT				2
57	HK034610140	HOUSING 14P				1
58	SS6151040SP	SCREW 15/64-28 L=10				2
59	B3041980000	SPRING				1
60	22655005	JOINT ROD				1
61	22654008	DRIVING ARM PLATE				1
62	B3417051000	REAR LIFTING BAR ROLLER				1
63	SS6120940SP	SCREW 3/16-28 L=9				1
64	WP0501016SD	WASHER 5X10.5X1				1
65	EA9500B0100	CABLE BAND				2
66	22655302	COUNTER KNIFE	TYPE S			2
67	22655401	THREAD PRESSER	TYPE S			2

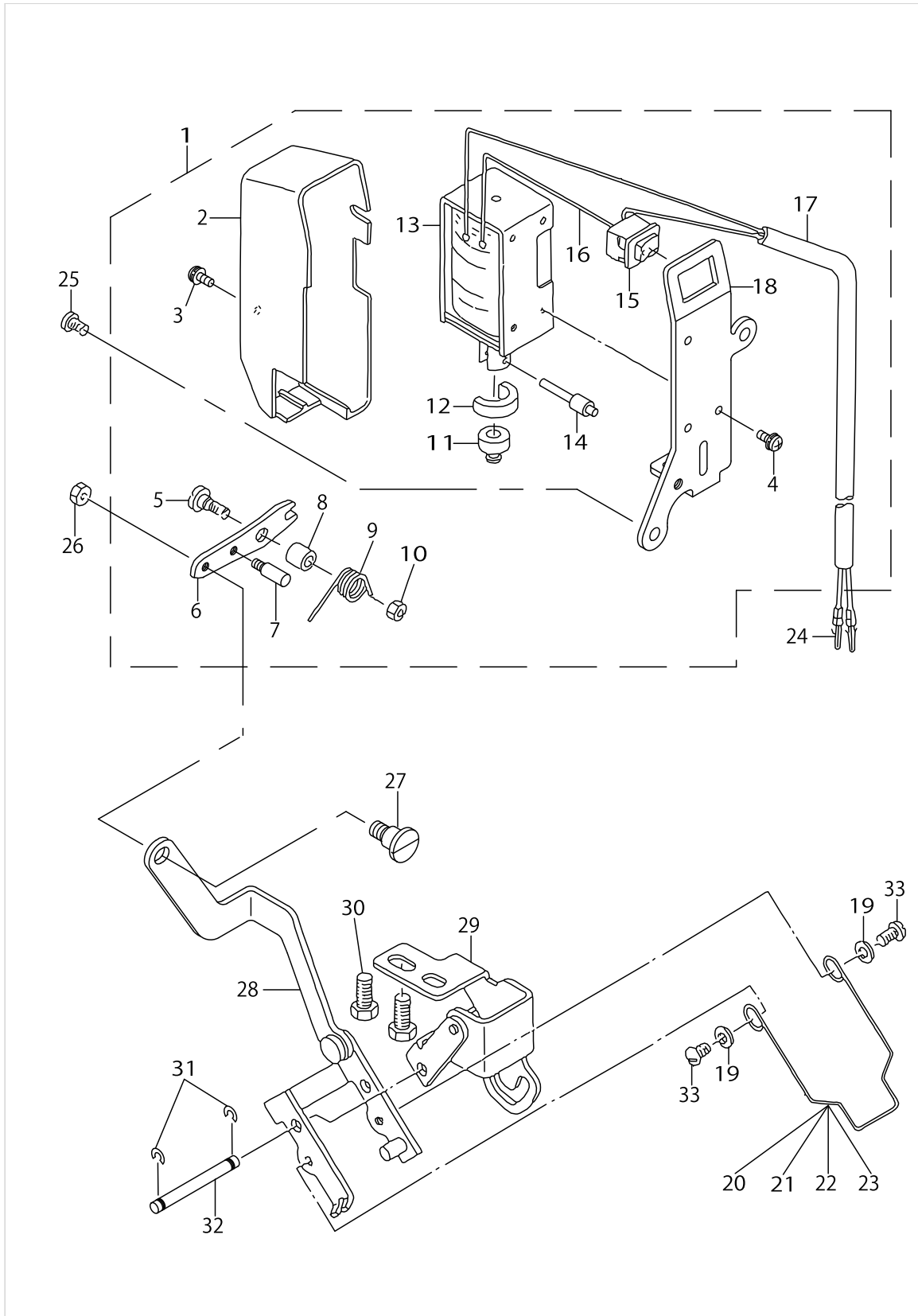
AUTOMATIC REVERSE FEED MECHANISM COMPONENTS (FOR LH-3168-7)



AUTOMATIC REVERSE FEED MECHANISM COMPONENTS (FOR LH-3168-7)

No.	Parts No.	Parts name	Remarks	Level	Cons	Qty
1	22656557	REVERSE FEED SWITCH ASM.				1
2	11072501	REVERSE FEED SWITCH COVER		*		1
3	SM4040655SP	SCREW M4 L=6		*		1
4	22656508	REVERSE FEED SWITCH BASE		*		1
5	11102100	REVERSE FEED SWITCH SHAFT		*		1
6	11102209	REVERSE FEED SWITCH SPRING		*		1
7	SM8040802SP	SCREW M4X0.7 L=8		*		1
8	SM4031501SC	SCREW M3 L=15		*		2
9	HW500070000	2-CORE CABTYRE CORD		*		1.4
10	HA001900000	MICROSWITCH		*		1
11	11102308	MICRO SWITCH PLATE		*		1
12	22656607	REVERSE FEED SWITCH LEVER		*		1
13	HK03464000B	PIN CONTACT				4
14	SS4120615SP	SCREW 3/16-28 L=6				2
15	SS7110710SP	SCREW 11/64-40 L=7				4
16	WP0501016SD	WASHER 5X10.5X1				4
17	10161305	SOLENOID COVER				1
18	10119105	REVERSE FEED SOLENOID, AC24V				1
19	10119204	SOLENOID INSTALLING PLATE				1
20	WP0501016SD	WASHER 5X10.5X1				4
21	SS9111010SP	SCREW 11/64-40 L=9.5				4
22	D2464555B00	LINK DRIVING MAGNET PIN				1
23	RE0400000K0	E-RING 4				2
24	SS7151210SP	SCREW 15/64-28 L=12				2
25	WS0631510KP	SPRING WASHER				2
26	WP0621016SD	WASHER 6.2X13X1				2
27	22656409	LINK FULCULUM				1
28	22656300	REVERSE FEED LINK, L				1
29	SS4153015SP	PAN-SCREW 15/64-28 L=30				1
30	WS0610002KP	SPRING WASHER				1
31	WP0612056SD	WASHER 6.1X18.5X2				1
32	22656201	REVERSE FEED LINK, (2)				1
33	22656102	REVERSE FEED LINK, (1)				1
34	SD0640321SP	HINGE SCREW D= 6.35 H= 3.2				2
35	SS4120615SP	SCREW 3/16-28 L=6				1
36	SS7120760SP	SCREW 3/16-28 L= 7.0				1
37	22952501	BACK LEVER STOPPER				1
38	SS6121840SP	SCREW 3/16-28 L=18				1
39	26226407	TENSION SPRING HOOK				1
40	26226209	SPRING				1
41	22656003	SPRING SUSPENSION				1

WIPER MECHANISM COMPONENTS (FOR LH-3188-7)



WIPER MECHANISM COMPONENTS (FOR LH-3188-7)

No.	Parts No.	Parts name	Remarks	Level	Cons	Qty
1	22657159	WIPER SOLENOID ASM.				1
2	11072709	WIPER COVER		*		1
3	SL4030891SC	SCREW M3X8		*		1
4	SL4030891SC	SCREW M3X8		*		3
5	SD0650321TP	HINGE SCREW D=6.5 H=3.2		*		1
6	22657209	WIPER LINK, A		*		1
7	40009196	SUSPENSION SCREW		*		1
8	11110707	WIPER HINGE SCREW COLLAR		*		1
9	22657308	WIPER SPRING		*		1
10	NS6110310SP	NUT 11/64-40		*		1
11	11110400	WIPER RUBBER A		*		1
12	11110509	WIPER RUBBER B		*		1
13	11110301	WIPER SOLENOID		*		1
14	22957104	WIPER SOLENOID SHAFT		*		1
15	HA000590000	POWER SWITCH		*		1
16	HW200390000	ELECTRIC WIRE		*		0.04
17	HW500070000	2-CORE CABTYRE CORD		*		1.4
18	22657100	WIPER SOLENOID BASE		*		1
19	WP0371016SD	WASHER 3.7X8X1				2
20	10209203	WIPER 3/32"-3/8	SELECTIVE PARTS			1
21	10209500	WIPER	SELECTIVE PARTS			1
22	10209807	WIPER	SELECTIVE PARTS			1
23	10209906	WIPER	SELECTIVE PARTS			1
24	HK03464000B	PIN CONTACT				2
25	SS4120615SP	SCREW 3/16-28 L=6				2
26	NS6090310SP	NUT 9/64-40				1
27	SD0500301SP	HINGE SCREW D= 5 H= 3				1
28	22657050	WIPER LINK ASM., 2				1
29	10208551	WIPER BASE ASM.				1
30	SS9111010SP	SCREW 11/64-40 L=9.5				2
31	RE0320000K0	E-RING 3.2				2
32	10208700	WIPER LINK SHAFT				1
33	SS3090520SP	SCREW 9/64-40 L=4.5				2

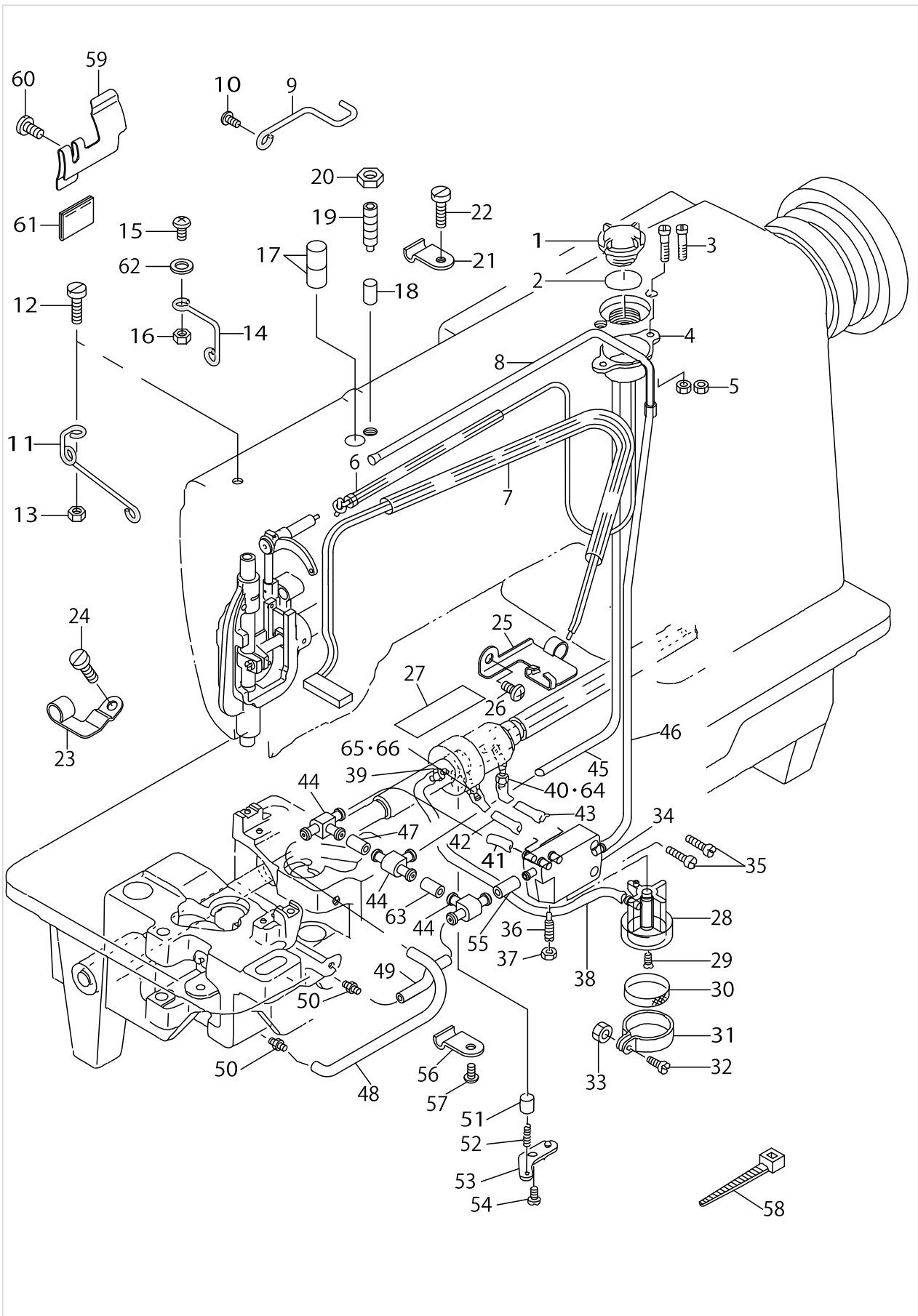


LUBRICATION COMPONENTS

No.	Parts No.	Parts name	Remarks	Level	Cons	Qty
1	22924708	OIL SIGHT WINDOW				1
2	RO195240100	RUBBER RING				1
3	SS4111815SP	SCREW 11/64 L=18				2
4	10216703	OIL TANK				1
5	NS6110310SN	NUT 11/64-40				2
6	22620355	OIL PIPE ASM.				1
7	22620454	FELT ASM.				1
8	22620702	OIL TUBE				1
9	22620108	PIPE HOLDER, B				1
10	SS4110715SP	SCREW 11/64-40 L=7				1
11	22619209	OIL WICK GUIDE				1
12	SS6121610TP	SCREW 3/16-28 L=15.5				1
13	NS6120310SP	NUT 3/16-28				1
14	22620504	OIL WICK HOLDER				1
15	SS4111215SP	SCREW 11/64-40 L=12				1
16	NS6110420SP	NUT 11/64-40				1
17	B3517009000	OIL FELT REAR				2
18	22619415	OIL ADJUSTING SHAFT				1
19	SS8701782TP	SCREW 5/16-24 L=17.0				1
20	NS6700420SP	NUT 5/16-24				1
21	22620801	PIPE HOLDER				1
22	SS6111610SP	SCREW 11/64-40 L=16				1
23	40012577	PIPE HOLDER				1
24	SS4110615SP	SCREW 11/64-40 L=6				1
25	22619803	VILENE HOLDER				1
26	SS4110715SP	SCREW 11/64-40 L=7				1
27	22619605	VILENE				1
28	22619001	SUCTION				1
29	SS2110930SP	SCREW 11/64-40 L=8.7				1
30	B1851512000	FILTER SCREEN				1
31	B1850512000	BUSHING HOLDER				1
32	SS7090710SP	SCREW 9/64-40 L= 6.8				1
33	NS6090310SP	NUT 9/64-40				1
34	10623403	BASE				1
35	SS6111610SP	SCREW 11/64-40 L=16				2
36	B1834512000A	OIL ADJUSTING SCREW				1
37	NS6110310SP	NUT 11/64-40				1
38	23630007	TUBE				0.12
39	SQ1150451MZ	CONNECTING SCREW				1
40	SQ1110401MZ	CONNECTING SCREW	FOR LH-3188-7			1
41	23630007	TUBE				0.05
42	23630007	TUBE				0.08
43	23630007	TUBE				0.09
44	13765607	OIL CONNEC. ARM				3
45	23630007	TUBE				0.51
46	23630007	TUBE				0.4
47	23630007	TUBE				0.02



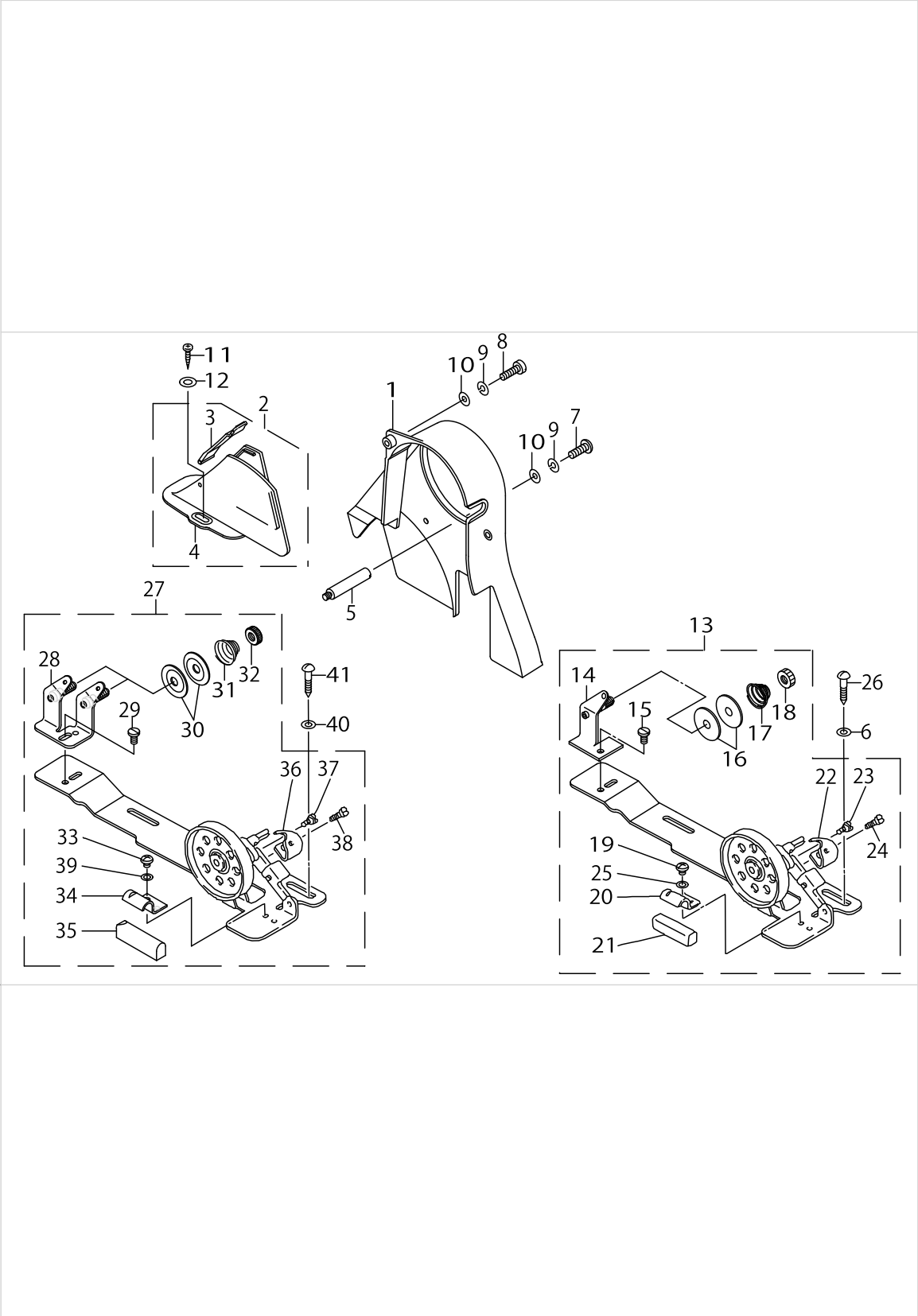
LUBRICATION COMPONENTS



LUBRICATION COMPONENTS

No.	Parts No.	Parts name	Remarks	Level	Cons	Qty
48	23630007	TUBE				0.21
49	23630007	TUBE				0.15
50	SQ1110401MZ	CONNECTING SCREW				2
51	B3534155000	PLUNGER				1
52	B1214038000	PLUNGER SPRING				1
53	B3524552000	PLUNGER THRUST PLATE				1
54	SS4110815SP	SCREW 11/64-40 L=8				1
55	23630007	TUBE				0.02
56	B3538112000	OIL RETURN TUBE HOLDER				1
57	SS4110815SP	SCREW 11/64-40 L=8				1
58	EA9500B0100	CABLE BAND				3
59	23204803	LUBRICATING GUIDE				1
60	SS7090610SP	SCREW 9/64-40 L=6				1
61	22686455	NEEDLE BAR				1
62	B3534012000	GASKET				1
63	23630007	TUBE				0.02
64	22619704	OILING JOINT	FOR LH-3188			1
65	22619704	OILING JOINT	FOR LH-3188-7			1
66	SQ1110401MZ	CONNECTING SCREW	FOR LH-3188			1

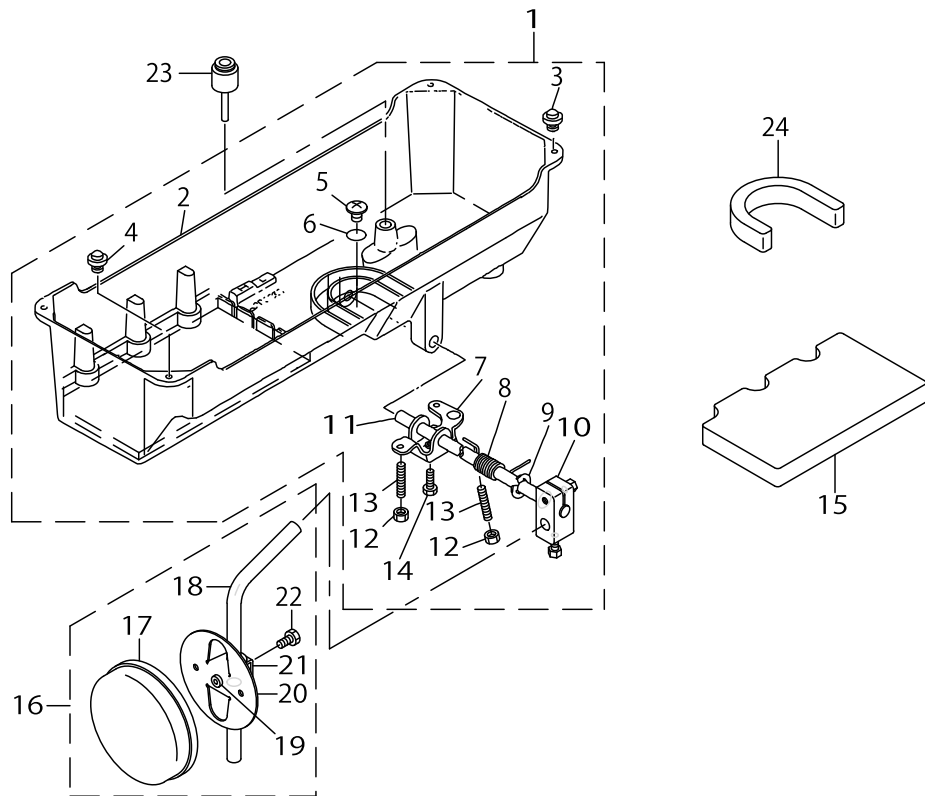
BELT COVER & BOBBIN WINDER COMPONENTS



BELT COVER & BOBBIN WINDER COMPONENTS

No.	Parts No.	Parts name	Remarks	Level	Cons	Qty
1	22603401	BELT COVER A ASM.				1
2	11076858	BELT COVER B ASM.				1
3	11076957	BELT COVER B CAP ASM.		*		1
4	11076809	BELT COVER B		*		1
5	B8233555000	BELT COVER SUPPORT STUD				2
6	WP0501016SC	WASHER 5X10.5X1				2
7	SS4111215SP	SCREW 11/64-40 L=12				2
8	SS6121610TP	SCREW 3/16-28 L=15.5				1
9	WS0451040KP	SPRING WASHER 4.5X8.5X1				3
10	WP0501016SD	WASHER 5X10.5X1				3
11	SK3412000SC	WOOD SCREW D=4.1 L=20				2
12	WP0501016SC	WASHER 5X10.5X1				2
13	11415866	BOBBIN WINDER COMPL				1
14	11078250	THREAD TENSION BRACKET ASM.		*		1
15	SS7110840SP	SCREW 11/64-40 L=7.8		*		1
16	B3126012000	THREAD TENSION DISK		*		2
17	B3129012B00	THREAD TENSION SPRING		*		1
18	B3125012000	THREAD TENSION NUT		*		1
19	SS4110515SP	SCREW 11/64-40 L=5		*		1
20	11078102	PRESSER PLATE		*		1
21	B3211555000	RUBBER BRAKE		*		1
22	11415908	POSITIONING FINGER		*		1
23	SD0490261SP	HINGE SCREW D=4.9 H=2.6		*		1
24	SS7081310SP	SCREW 1/8-44 L=12.5		*		1
25	WP0480856SP	WASHER 4.8X8.4X0.8		*		1
26	SK3482500SC	WOOD SCREW D=4.8 L=25				2
27	22837553	BOBBIN DEVICE	FOR JE			1
28	22621056	TENSION BAR BASE		*		1
29	SS7110840SP	SCREW 11/64-40 L=7.8		*		1
30	22928907	THREAD TENSION DISK		*		4
31	22929004	THREAD TENSION SPRING		*		2
32	22928808	NUT		*		2
33	SS4110515SP	SCREW 11/64-40 L=5		*		1
34	22928402	CONTROL RUBBER HOLDING PLATE		*		1
35	22928303	CONTROL RUBBER		*		1
36	22837504	BOBBIN PRESSER		*		1
37	SD0490261SP	HINGE SCREW D=4.9 H=2.6		*		1
38	SS7081310SP	SCREW 1/8-44 L=12.5		*		1
39	WP0480856SP	WASHER 4.8X8.4X0.8		*		1
40	WP0501016SC	WASHER 5X10.5X1				2
41	SK3482500SC	WOOD SCREW D=4.8 L=25				2

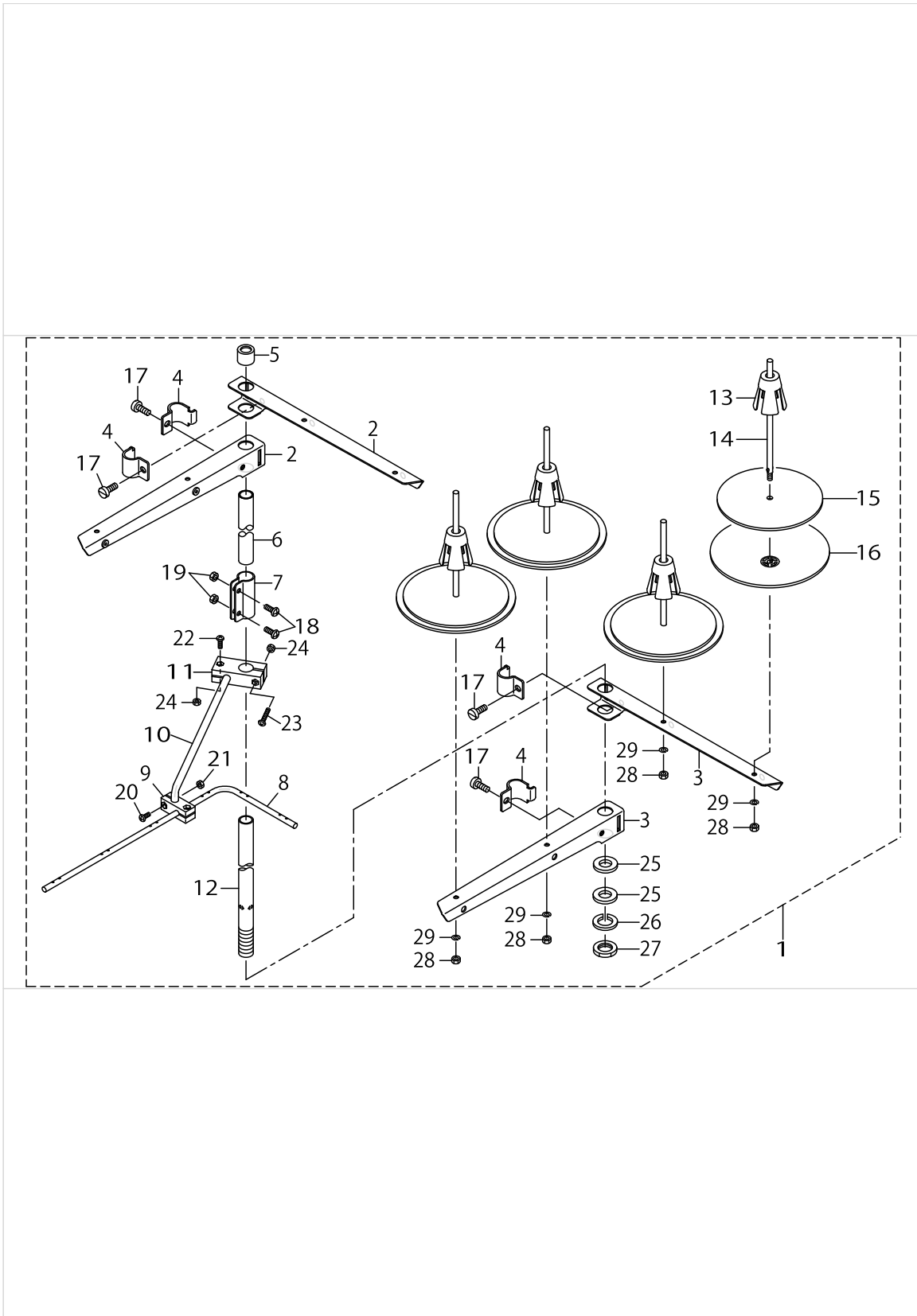
OIL RESERVOIR & KNEE LIFTER COMPONENTS



OIL RESERVOIR & KNEE LIFTER COMPONENTS

No.	Parts No.	Parts name	Remarks	Level	Cons	Qty
1	10162253	OIL RESERVOIR ASM.				1
2	10162204	OIL RESERVOIR		*		1
3	10162600	RUBBER CUSHION		*		2
4	11047107	RUBBER CUSHION		*		2
5	SM0081001SD	SCREW		*		1
6	RO098240100	RUBBER RING		*		1
7	11024015	CONNECTING ROT, VERTICAL		*		1
8	11024106	SPRING		*		1
9	RE1000000K0	E-RING 10		*		1
10	22932453	BRACKET ASM.		*		1
11	11024205	KNEE PRESS ROD		*		1
12	NM6060001SE	NUT M6		*		2
13	SM8063012TR	SCREW M6 L=30		*		2
14	SM9061853SR	SCREW M6 L=17.5		*		1
15	22622104	OIL RESERVOIR SPACER, B				1
16	22934251	KNEE PAD PLATE ASM.				1
17	22934509	KNEE PAD PLATE COVER		*		1
18	22934608	KNEE PAD UPRIGHT SHAFT		*		1
19	22934400	KNEE PAD PLATE RUBBER		*		1
20	22934202	KNEE PAD PLATE		*		1
21	22934301	KNEE PAD PLATE SUPPORT		*		1
22	SM9061203SE	SCREW M6 L=12		*		1
23	11024304	KNEE PRESS LIFTER ROD				1
24	22622005	OIL RESERVOIR SPACER, A				1

THREAD STAND COMPONENTS (1)

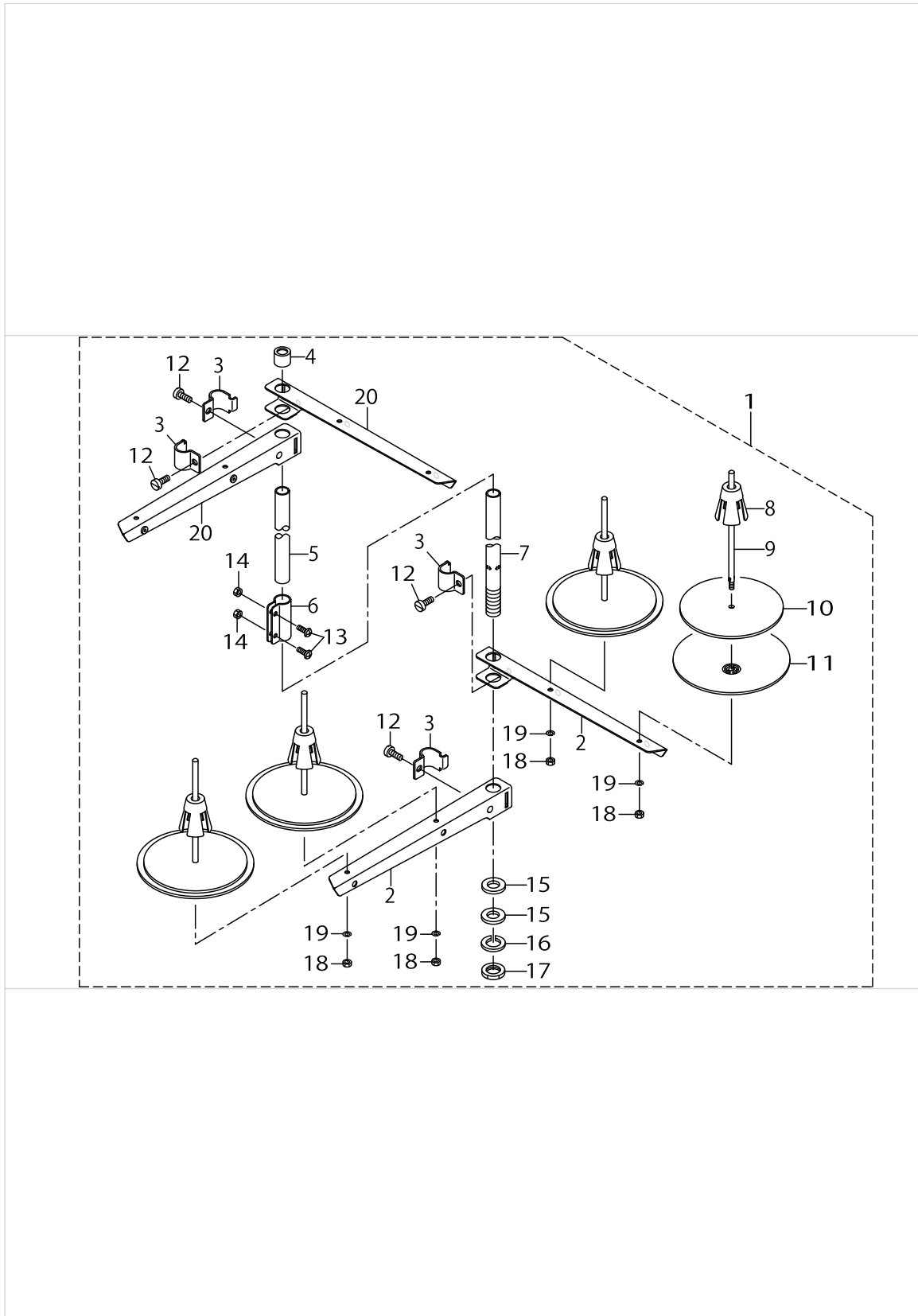


THREAD STAND COMPONENTS (1)

No.	Parts No.	Parts name	Remarks	Level	Cons	Qty
1	13167556	THREAD STANDING DEVICE ASM.				1
2	22930556	SPOOL REST ARM ASM.		*		2
3	22930507	SPOOL REST ARM		*		2
4	22930705	THREAD GUIDE ARM JOINT		*		4
5	22931406	THREAD STANDING ROD RUBBER CAP		*		1
6	22930408	THREAD STANDING ROD, UPPER		*		1
7	22931307	THREAD STANDING ROD JOINT		*		1
8	13167903	THREAD STANDING THREAD GUIDE		*		1
9	13168000	THREAD STANDING GUIDE BASE		*		1
10	13168109	THREAD STANDING GUIDE ARM		*		1
11	13168208	THREAD STANDING GUIDE ARM BASE		*		1
12	22930309	THREAD STANDING ROD, LOWER		*		1
13	22931109	SPOOL RETAINER		*		4
14	22931000	SPOOL PIN		*		4
15	22930903	SPOOL REST CUSHION		*		4
16	22930804	SPOOL REST		*		4
17	SM6061610SC	SCREW M6 L=16		*		4
18	SM4051405SE	SCREW M5 L=14		*		2
19	NM6050001SE	NUT M5		*		2
20	SM4041001SC	SCREW M4X0.7 L=10		*		2
21	NM6040002SE	NUT M4X0.7		*		2
22	SM4041201SC	SCREW M4 L=12		*		1
23	SM4042001SC	SCREW M4 X 20		*		1
24	NM6040002SE	NUT M4X0.7		*		2
25	WP1612616SE	WASHER 16X30X2.6		*		2
26	WS1643202KR	SPRING WASHER		*		1
27	NM6160511SE	NUT M16X1.5		*		1
28	NM6050001SE	NUT M5		*		4
29	WS0510002KN	SPRING WASHER		*		4



THREAD STAND COMPONENTS (2) (FOR JH, JS)



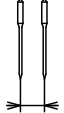
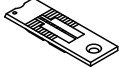
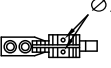
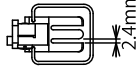
THREAD STAND COMPONENTS (2) (FOR JH, JS)

No.	Parts No.	Parts name	Remarks	Level	Cons	Qty
1	26910158	THREAD STANDING DEVICE ASM.				1
2	22930507	SPOOL REST ARM		*		2
3	22930705	THREAD GUIDE ARM JOINT		*		4
4	22931406	SPOOL REST ROD RUBBER CAP		*		1
5	22930408	SPOOL REST ROD, UPPER		*		1
6	22931307	SPOOL REST ROD JOINT		*		1
7	22930309	SPOOL REST ROD, LOWER		*		1
8	22931109	SPOOL RETAINER		*		4
9	22931000	SPOOL PIN		*		4
10	22930903	SPOOL REST CUSHION		*		4
11	22930804	SPOOL REST		*		4
12	SM6061610SC	SCREW M6 L=16		*		4
13	SM4051405SE	SCREW M5 L=14		*		2
14	NM6050001SE	NUT M5		*		2
15	WP1612616SE	WASHER 16X30X2.6		*		2
16	WS1643202KR	SPRING WASHER		*		1
17	NM6160511SE	NUT M16X1.5		*		1
18	NM6050001SE	NUT M5		*		4
19	WS0510002KN	SPRING WASHER		*		4
20	22930556	THREAD STANDING ARM ASM.		*		2

TABLE OF EXCHANGING GAUGE PARTS (1)

LH-3188用

★・・・Standard spec. 標準仕様

Needle gauge size 針 幅		Throat plate 針 板		Feed Dog 送 り 歯		Presser Foot asm. 押 さ え(組)		
Code コード								
	inch	mm	Ref.No.	Part No.	Ref.No.	Part No.	Ref.No.	Part No.
B	1/8	3.2						
C	5/32	4.0						
D	3/16	4.8	1	226-25305	8	228-15401	15	228-16557
E	7/32	5.6	2	226-25404	9	228-15500	16	228-16656
F	7/4	6.4	3	226-25503	10	228-15609	17	228-16755
G	9/32	7.1	4	226-25602	11	228-15708	18	228-16854
H	5/16	7.9	5	226-25701	12	228-15807	19	228-16953
K	3/8	9.5	6	226-25800	13	228-15906	20	228-17050
L	1/2	12.7	7	226-26006	14	228-16003	21	228-17159
M	5/8	15.9						
N	3/4	19.1						
Q	1	25.4						
Stitch spec. 縫 仕 様	S		Spec.common 仕様共通		★		★	
	A							
	G							

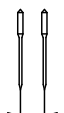
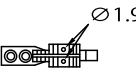
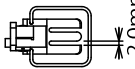
Needle gauge size 針 幅		Feed dog (with Thread Trimmer) 送 り 歯(糸切付)		Presser Foot asm. 押 さ え(組)		
Code コード						
	inch	mm	Ref.No.	Part No.	Ref.No.	Part No.
A	3/32	2.4				
B	1/8	3.2	22	226-30107	40	102-22255
C	5/32	4.0	23	226-30206	41	102-22354
D	3/16	4.8	24	226-30404	42	226-40353
E	7/32	5.6	25	226-30503	43	226-40452
F	1/4	6.4	26	226-30602	44	101-52957
G	9/32	7.1	27	226-30800	45	226-40759
H	5/16	7.9	28	226-30909	46	226-40858
K	3/8	9.5	29	226-31006	47	226-40957
W	7/16	11.1	30	226-31105		
L	1/2	12.7	31	226-31303	48	226-41252
M	5/8	15.9	32	226-31402	49	226-41351
N	3/4	19.1	33	226-31501	50	226-41450
P	7/8	22.2	34	226-31709		
Q	1	25.4	35	226-31808	51	226-41757
R	1-1/8	28.6	36	226-31907		
S	1-1/4	31.8	37	226-32004		
T	1-3/8	34.9	38	226-32103		
U	1-1/2	38.1	39	226-32202		
Stitch spec. 縫 仕 様	S		★		★	
	G					

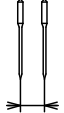
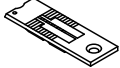

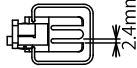
TABLE OF EXCHANGING GAUGE PARTS (1)

No.	Parts No.	Parts name	Remarks	Level	Cons	Qty
1	22625305	THROAT PLATE 3/16" (4.8MM)				1
2	22625404	THROAT PLATE 7/32" (5.6MM)				1
3	22625503	THROAT PLATE 1/4				1
4	22625602	THROAT PLATE 9/32" (7.1MM)				1
5	22625701	THROAT PLATE 5/16" (7.9MM)				1
6	22625800	THROAT PLATE 3/8" (9.5MM)				1
7	22626006	THROAT PLATE 1/2" (12.7MM)				1
8	22815401	FEED DOG D=2.4 3/16 (4.8M)				1
9	22815500	FEED DOG D=2.4 7/32 (5.6M)				1
10	22815609	FEED DOG(D=2.4) 1/4"(6.4MM)				1
11	22815708	FEED DOG D=2.4 9/32 (7.1M)				1
12	22815807	FEED DOG D=2.4 5/16 (7.9M)				1
13	22815906	FEED DOG 3/8 D=2.4				1
14	22816003	FEED DOG 1/2 D=2.4				1
15	22816557	TIP-DIVIDED PRESSER ASM. 3/16				1
16	22816656	TIP-DIVIDED PRESSER ASM. 7/32				1
17	22816755	PRESSER FOOT ASM. 1/4				1
18	22816854	TIP-DIVIDED PRESSER ASM. 9/32				1
19	22816953	TIP-DIVIDED PRESSER ASM. 5/16				1
20	22817050	PRESSER FOOT ASM. D=2.4 (3/8)				1
21	22817159	PRESSER FOOT ASM. D=2.4 (1/2)				1
22	22630107	FEED DOG 1/8" (3.2MM)				1
23	22630206	FEED DOG 5/32" (4.0MM)				1
24	22630404	FEED DOG 3/16" (4.8MM)				1
25	22630503	FEED DOG 7/32" (5.6MM)				1
26	22630602	FEED DOG 1/4				1
27	22630800	FEED DOG 9/32" (7.1MM)				1
28	22630909	FEED DOG 5/16" (7.9MM)				1
29	22631006	FEED DOG 3/8" (9.5MM)				1
30	22631105	FEED DOG 7/16" (11.1MM)				1
31	22631303	FEED DOG 1/2" (12.7MM)				1
32	22631402	FEED DOG 5/8" (15.9MM)				1
33	22631501	FEED DOG 3/4" (19.1MM)				1
34	22631709	FEED DOG 7/8" (2.2MM)				1
35	22631808	FEED DOG 1" (25.4MM)				1
36	22631907	FEED DOG 1.1/8" (28.6MM)				1
37	22632004	FEED DOG 1.1/4" (31.4MM)				1
38	22632103	FEED DOG 1.3/8" (34.9MM)				1
39	22632202	FEED DOG 1.1/2" (38.1MM)				1
40	10222255	PRESSER FOOT ASM. 1/8				1
41	10222354	PRESSER FOOT ASM. 5/32				1
42	22640353	PRESSER FOOT ASM.				1
43	22640452	PRESSER FOOT ASM.				1
44	10152957	PRESSER FOOT ASM. 1/4				1
45	22640759	PRESSER FOOT ASM.				1
46	22640858	PRESSER FOOT ASM.				1
47	22640957	PRESSER FOOT ASM.				1

TABLE OF EXCHANGING GAUGE PARTS (1)

LH-3188用

★・・・Standard spec. 標準仕様

Needle gauge size 針 幅		Throat plate 針 板		Feed Dog 送 り 歯		Presser Foot asm. 押 さ え(組)		
Code コード								
	inch	mm	Ref.No.	Part No.	Ref.No.	Part No.	Ref.No.	Part No.
B	1/8	3.2						
C	5/32	4.0						
D	3/16	4.8	1	226-25305	8	228-15401	15	228-16557
E	7/32	5.6	2	226-25404	9	228-15500	16	228-16656
F	7/4	6.4	3	226-25503	10	228-15609	17	228-16755
G	9/32	7.1	4	226-25602	11	228-15708	18	228-16854
H	5/16	7.9	5	226-25701	12	228-15807	19	228-16953
K	3/8	9.5	6	226-25800	13	228-15906	20	228-17050
L	1/2	12.7	7	226-26006	14	228-16003	21	228-17159
M	5/8	15.9						
N	3/4	19.1						
Q	1	25.4						
Stitch spec. 縫 仕 様	S	Spec.common 仕様共通						
	A							
	G							

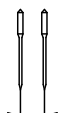
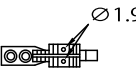
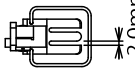
Needle gauge size 針 幅		Feed dog (with Thread Trimmer) 送 り 歯(糸切付)		Presser Foot asm. 押 さ え(組)		
Code コード						
	inch	mm	Ref.No.	Part No.	Ref.No.	Part No.
A	3/32	2.4				
B	1/8	3.2	22	226-30107	40	102-22255
C	5/32	4.0	23	226-30206	41	102-22354
D	3/16	4.8	24	226-30404	42	226-40353
E	7/32	5.6	25	226-30503	43	226-40452
F	1/4	6.4	26	226-30602	44	101-52957
G	9/32	7.1	27	226-30800	45	226-40759
H	5/16	7.9	28	226-30909	46	226-40858
K	3/8	9.5	29	226-31006	47	226-40957
W	7/16	11.1	30	226-31105		
L	1/2	12.7	31	226-31303	48	226-41252
M	5/8	15.9	32	226-31402	49	226-41351
N	3/4	19.1	33	226-31501	50	226-41450
P	7/8	22.2	34	226-31709		
Q	1	25.4	35	226-31808	51	226-41757
R	1-1/8	28.6	36	226-31907		
S	1-1/4	31.8	37	226-32004		
T	1-3/8	34.9	38	226-32103		
U	1-1/2	38.1	39	226-32202		
Stitch spec. 縫 仕 様	S	★			★	
	G					

TABLE OF EXCHANGING GAUGE PARTS (1)

No.	Parts No.	Parts name	Remarks	Level	Cons	Qty
48	22641252	PRESSER FOOT ASM.				1
49	22641351	PRESSER FOOT ASM.				1
50	22641450	PRESSER FOOT ASM.				1
51	22641757	PRESSER FOOT ASM.				1

TABLE OF EXCHANGING GAUGE PARTS (2)

LH-3188-7用										★ . . . Standard spec. 標準仕様	
Needle gauge size 針 幅		Throat plate (with Thread Trimmer) 針板(糸切付)		Feed Dog (with Thread Trimmer) 送り歯(糸切付)		Needle clamp asm.Left 針 留(組)左		Needle clamp asm.Right 針 留(組)右			
Code コード											
	inch	mm	Ref.No.	Part No.	Ref.No.	Part No.	Ref.No.	Part No.	Ref.No.	Part No.	
B	1/8	3.2									
C	5/32	4.0									
D	3/16	4.8	1	226-60401	8	228-21201	15	B1402-528-DAL-A	22	B1402-528-DAR-A	
E	7/32	5.6	2	226-60500	9	228-21300	16	B1402-528-EAL	23	B1402-528-EAR	
F	1/4	6.4	3	226-60609	10	228-21409	17	B1402-528-FAL-A	24	B1402-528-FAR-A	
G	9/32	7.1	4	226-60708	11	228-21508	18	B1402-528-GAL	25	B1402-528-GAR	
H	5/16	7.9	5	226-60807	12	228-21607	19	B1402-528-HAL-A	26	B1402-528-HAR-A	
K	3/8	9.5	6	226-60906	13	228-21706	20	B1402-528-KAL-A	27	B1402-528-KAR-A	
L	1/2	12.7	7	226-61102	14	228-21805	21	B1402-528-LAL	28	B1402-528-LAR	
M	5/8	15.9									
N	3/4	19.1									
Q	1	25.4									
Stitch spec. 縫 仕 様	S		Spec.common				Spec.common				
	A		仕様共通		★		仕様共通				
G											

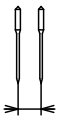
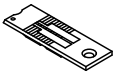
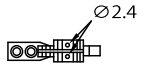

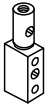
Needle gauge size 針 幅		Feed dog 送り歯		Presser Foot asm. 押さえ(組)				
Code コード								
	inch	mm	Ref.No.	Part No.	Ref.No.	Part No.	Ref.No.	Part No.
A	3/32	2.4						
B	1/8	3.2	29	226-65103	45	102-22255		
C	5/32	4.0	30	102-37907	46	102-22354		
D	3/16	4.8	31	102-38004	47	226-40353	57	228-16557
E	7/32	5.6	32	102-38103	48	226-40452	58	228-16656
F	1/4	6.4	33	102-38202	49	101-52957	59	228-16755
G	9/32	7.1	34	102-38301	50	226-40759	60	228-16854
H	5/16	7.9	35	102-38400	51	226-40858	61	228-16953
K	3/8	9.5	36	102-38509	52	226-40957	62	228-17050
W	7/16	11.1	37	101-68300				
L	1/2	12.7	38	101-38707	53	226-41252	63	228-17159
M	5/8	15.9	39	102-38806	54	226-41351		
N	3/4	19.1	40	102-38905	55	226-41450		
P	7/8	22.2	41	101-68706				
Q	1	25.4	42	102-39002	56	226-41757		
R	1-1/8	28.6	43	101-68904				
S	1-1/4	31.8	44	101-69001				
T	1-3/8	34.9						
U	1-1/2	38.1						
Stitch spec. 縫 仕 様	S		★		★		★	
	G						★	

TABLE OF EXCHANGING GAUGE PARTS (2)

No.	Parts No.	Parts name	Remarks	Level	Cons	Qty
1	22660401	THROAT PLATE 3/16				1
2	22660500	THROAT PLATE 7/32				1
3	22660609	THROAT PLATE 1/4				1
4	22660708	THROAT PLATE 9/32				1
5	22660807	THROAT PLATE 5/16				1
6	22660906	THROAT PLATE 3/8				1
7	22661102	THROAT PLATE 1/2				1
8	22821201	THREAD CUTTING FEED DOG 3/16				1
9	22821300	FEED DOG 7/32 D=2.4				1
10	22821409	FEED DOG(D=2.4) 1/4				1
11	22821508	FEED DOG D=2.4 9/32				1
12	22821607	FEED DOG D=2.4 5/16				1
13	22821706	FEED DOG 3/8 D=2.4				1
14	22821805	FEED DOG(D=2.4) 1/2				1
15	B1402528DALA	NEEDLE CLAMP ASM. LEFT				1
16	B1402528EAL	NEEDLE CLAMP ASM. 7/32				1
17	B1402528FALA	NEEDLE CLAMP ASM. 1/4				1
18	B1402528GAL	NEEDLE CLAMP ASM., LEFT				1
19	B1402528HALA	NEEDLE CLAMP ASM. 5/16				1
20	B1402528KALA	NEEDLE CLAMP ASM. 3/8				1
21	B1402528LAL	NEEDLE CLAMP ASM., LEFT 1/2				1
22	B1402528DARA	NEEDLE CLAMP ASM. RIGHT				1
23	B1402528EAR	NEEDLE CLAMP ASM. 7/32				1
24	B1402528FARA	NEEDLE CLAMP ASM. 1/4				1
25	B1402528GAR	NEEDLE CLAMP ASM., RIGHT				1
26	B1402528HARA	NEEDLE CLAMP ASM. 5/16				1
27	B1402528KARA	NEEDLE CLAMP ASM. 3/8				1
28	B1402528LAR	NEEDLE CLAMP ASM., RIGHT 1/2				1
29	22665103	FEED DOG 1/8				1
30	10237907	FEED DOG 5/32				1
31	10238004	FEED DOG 3/16				1
32	10238103	FEED DOG 7/32				1
33	10238202	FEED DOG 1/4				1
34	10238301	FEED DOG 9/32				1
35	10238400	FEED DOG 5/16				1
36	10238509	FEED DOG 3/8				1
37	10168300	FEED DOG 7/16				1
38	10138707	FEED DOG 1/2				1
39	10238806	FEED DOG 5/8				1
40	10238905	FEED DOG 3/4				1
41	10168706	FEED DOG 7/8				1
42	10239002	FEED DOG 1				1
43	10168904	FEED DOG 1-1/8				1
44	10169001	FEED DOG 1-1/4				1
45	10222255	PRESSER FOOT ASM. 1/8				1
46	10222354	PRESSER FOOT ASM. 5/32				1
47	22640353	PRESSER FOOT ASM.				1



TABLE OF EXCHANGING GAUGE PARTS (2)

LH-3188-7用										★ . . . Standard spec. 標準仕様	
Needle gauge size 針 幅		Throat plate (with Thread Trimmer) 針板(糸切付)		Feed Dog (with Thread Trimmer) 送り歯(糸切付)		Needle clamp asm.Left 針 留(組)左		Needle clamp asm.Right 針 留(組)右			
Code コード											
	inch	mm	Ref.No.	Part No.	Ref.No.	Part No.	Ref.No.	Part No.	Ref.No.	Part No.	
B	1/8	3.2									
C	5/32	4.0									
D	3/16	4.8	1	226-60401	8	228-21201	15	B1402-528-DAL-A	22	B1402-528-DAR-A	
E	7/32	5.6	2	226-60500	9	228-21300	16	B1402-528-EAL	23	B1402-528-EAR	
F	1/4	6.4	3	226-60609	10	228-21409	17	B1402-528-FAL-A	24	B1402-528-FAR-A	
G	9/32	7.1	4	226-60708	11	228-21508	18	B1402-528-GAL	25	B1402-528-GAR	
H	5/16	7.9	5	226-60807	12	228-21607	19	B1402-528-HAL-A	26	B1402-528-HAR-A	
K	3/8	9.5	6	226-60906	13	228-21706	20	B1402-528-KAL-A	27	B1402-528-KAR-A	
L	1/2	12.7	7	226-61102	14	228-21805	21	B1402-528-LAL	28	B1402-528-LAR	
M	5/8	15.9									
N	3/4	19.1									
Q	1	25.4									
Stitch spec. 縫 仕 様	S		Spec.common 仕様共通		★		Spec.common 仕様共通				
	A										
	G										

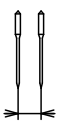
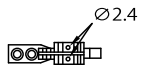
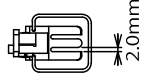
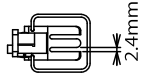
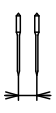





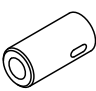

Needle gauge size 針 幅		Feed dog 送り歯		Presser Foot asm. 押さえ(組)				
Code コード								
	inch	mm	Ref.No.	Part No.	Ref.No.	Part No.	Ref.No.	Part No.
A	3/32	2.4						
B	1/8	3.2	29	226-65103	45	102-22255		
C	5/32	4.0	30	102-37907	46	102-22354		
D	3/16	4.8	31	102-38004	47	226-40353	57	228-16557
E	7/32	5.6	32	102-38103	48	226-40452	58	228-16656
F	1/4	6.4	33	102-38202	49	101-52957	59	228-16755
G	9/32	7.1	34	102-38301	50	226-40759	60	228-16854
H	5/16	7.9	35	102-38400	51	226-40858	61	228-16953
K	3/8	9.5	36	102-38509	52	226-40957	62	228-17050
W	7/16	11.1	37	101-68300				
L	1/2	12.7	38	101-38707	53	226-41252	63	228-17159
M	5/8	15.9	39	102-38806	54	226-41351		
N	3/4	19.1	40	102-38905	55	226-41450		
P	7/8	22.2	41	101-68706				
Q	1	25.4	42	102-39002	56	226-41757		
R	1-1/8	28.6	43	101-68904				
S	1-1/4	31.8	44	101-69001				
T	1-3/8	34.9						
U	1-1/2	38.1						
Stitch spec. 縫 仕 様	S		★		★		★	
	G							

TABLE OF EXCHANGING GAUGE PARTS (2)



No.	Parts No.	Parts name	Remarks	Level	Cons	Qty
48	22640452	PRESSER FOOT ASM.				1
49	10152957	PRESSER FOOT ASM. 1/4				1
50	22640759	PRESSER FOOT ASM.				1
51	22640858	PRESSER FOOT ASM.				1
52	22640957	PRESSER FOOT ASM.				1
53	22641252	PRESSER FOOT ASM.				1
54	22641351	PRESSER FOOT ASM.				1
55	22641450	PRESSER FOOT ASM.				1
56	22641757	PRESSER FOOT ASM.				1
57	22816557	TIP-DIVIDED PRESSER ASM. 3/16				1
58	22816656	TIP-DIVIDED PRESSER ASM. 7/32				1
59	22816755	PRESSER FOOT ASM. 1/4				1
60	22816854	TIP-DIVIDED PRESSER ASM. 9/32				1
61	22816953	TIP-DIVIDED PRESSER ASM. 5/16				1
62	22817050	PRESSER FOOT ASM. D=2.4 (3/8)				1
63	22817159	PRESSER FOOT ASM. D=2.4 (1/2)				1

TABLE OF EXCHANGING GAUGE PARTS (3)



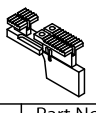
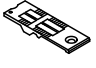
Needle gauge size 針 幅		Bed Slide asm. (with Tread Trimmer) 滑り板(組) (糸切り付)				Bed Slide asm. (without Tread Trimmer・stitch spec. F) 滑り板 (組) (糸切り無・F仕様)				
Code コード			Bed Slide asm. ( Left ) 糸切り滑り板(左)組 		Bed Slide asm. ( Right ) 糸切り滑り板(右)組 		Bed Slide asm. ( Left ) 滑り板(左)組 		Bed Slide asm. ( Right ) 滑り板(右)組 	
	inch	mm	Ref.No.	Part No.	Ref.No.	Part No.	Ref.No.	Part No.	Ref.No.	Part No.
B S K	1/8 3/8	3.2 9.5	1	226-50857	4	226-50352	7	226-01058	10	226-00555
L S N	1/2 3/4	12.7 19.1	2	226-50956	5	226-50451	8	226-01157	11	226-00654
Q	1	25.4	3	226-51053	6	226-50550	9	226-01256	12	226-00753

Needle gauge size 針 幅		Front Metal 前 メタル		Inner Metal 中 メタル		
Code コード						
	inch	mm	Ref.No.	Part No.	Ref.No.	Part No.
B S M	1/8 5/8	3.2 15.9	13	B1802-512-0A0-A	15	B1803-515-0A0
N S U	3/4 1-1/2	19.1 38.1	14	B1802-512-0AB	16	101-12357

ワイパー

Needle gauge size 針 幅		Wiper ワイパー		
Code コード				
	inch	mm	Ref.No.	Part No.
A S K	3/32 3/8	2.4 9.5	17	102-09203
W S M	7/16 5/8	11.1 15.9	18	102-09500
N S P	3/4 7/8	19.1 22.2	19	102-09807
Q S S	1 1-1/4	25.4 31.8	20	102-09906

空環ゲージ

Needle gauge size 針 幅		Throat plate(with- out Thread Trimmer) 針板(糸切無)		Feed dog(with- Thread Trimmer) 送り歯(糸切無)		Throat plate(with- Thread Trimmer) 針板(糸切付)		
Code コード								
	inch	mm	Ref.No.	Part No.	Ref.No.	Part No.	Ref.No.	Part No.
D	3/16	4.8	17	228-35003	19	228-35557	21	228-35201
F	1/4	6.4	18	228-35102	20	228-35656	22	228-35300


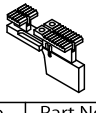


Needle gauge size 針 幅		Feed dog(with Thread Trimmer) 送り歯(糸切付)		Presser Foot asm. 押 さ え(組)		Feed Dog Screw 送り歯止めねじ		
Code コード								
	inch	mm	Ref.No.	Part No.	Ref.No.	Part No.	Ref.No.	Part No.
D	3/16	4.8	23	106-91053	25	B1524-512-DBH	27	SS-6580710-TP
F	1/4	6.4	24	106-98652	26	B1524-512-FBE	28	SS-6580710-TP

TABLE OF EXCHANGING GAUGE PARTS (3)

No.	Parts No.	Parts name	Remarks	Level	Cons	Qty
1	22650857	BED SLIDE LEFT, ASM., A				1
2	22650956	LEFT SLIDER PLATE B ASM.				1
3	22651053	BED SLIDE LEFT, ASM., C				1
4	22650352	BED SLIDE RIGHT, ASM., A				1
5	22650451	RIGHT SLIDER PLATE B ASM.				1
6	22650550	BED SLIDE RIGHT, ASM., C				1
7	22601058	BED SLIDE LEFT, ASM., A				1
8	22601157	LEFT SLIDER PLATE B ASM.				1
9	22601256	BED SLIDE LEFT, ASM., C				1
10	22600555	BED SLIDE RIGHT, ASM., A				1
11	22600654	RIGHT SLIDER PLATE B ASM.				1
12	22600753	BED SLIDE RIGHT, ASM., C				1
13	B18025120A0A	BUSHING ASM., FRONT				1
14	B18025120AB	BUSHING ASM., FRONT				1
15	B18035150A0	BUSHING ASM., INTERMEDIATE				1
16	10112357	BUSHING ASM. INTERMEDIATE				1
17	10209203	WIPER 3/32"-3/8				1
18	10209500	WIPER				1
19	10209807	WIPER				1
20	10209906	WIPER				1
21	22835003	THROAT PLATE Z (P=4) 3/16				1
22	22835102	THROAT PLATE (P=4) 1/4				1
23	22835557	FEED DOG ASM. 3/16				1
24	22835656	FEED DOG ASM. 1/4				1
25	22835201	THROAT PLATE (P=4) 3/16				1
26	22835300	THROAT PLATE (P=4) 1/4				1
27	10691053	FEED DOG 3/16" ASM.				1
28	10698652	FEED DOG 1/4 ASM.				1
29	B1524512DBH	PRESSER FOOT 3/16 ASM.				1
30	B1524512FBE	PRESSER FOOT ASM. 1/4				1
31	SS6580710TP	SCREW				1
32	SS6580710TP	SCREW				1

LIST FOR INFORMATION OF CHANGE

As to the place changed, refer to the corresponding Rev.No.  
 When previous parts(Obsoleted part)and new parts(Added parts)are  
 not interchangeable with each other:  
 In this case,even obsoleted parts(D.)can be ordered with the  
 obsoleted part number,so select the parts with changed dates and  
 place your orders.

変更箇所は、該当Rev.No.版をご参照ください。  
 部品の互換性がない変更の場合は、削除された品番でも、ご注文できます。

29170107  
 No.1048-08}・・Rev.No.

\*A:Added parts追加部品/D:Obsoleted parts削除部品/E:Erratum訂正

	Rev. No.	Page 頁	Ref. No.	Parts No. 品番		Rev. No.	Page 頁	Ref. No.	Parts No. 品番
*	D	07	6	4					
	D	07	6	5					
	D	07	6	6					

# NUMERICAL INDEX OF PARTS

PART NO	PAGE	REF NO.	PART NO	PAGE	REF NO.	PART NO	PAGE	REF NO.
10101004	2	3	10209500	58	18	11072501	34	2
10106102	24	48	10209807	36	22	11072709	36	2
10107902	22	37	10209807	58	19	11076809	42	4
10108009	22	13	10209906	36	23	11076858	42	2
10108512	16	1	10209906	58	20	11076957	42	3
10108611	16	11-94	10211407	30	6	11078102	42	20
10109908	18	55	10211605	30	2	11078250	42	14
10110500	16	41	10216703	38	4	11093606	12	13
10110609	16	42	10222255	50	40	11102100	34	5
10111201	18	66	10222255	54	45	11102209	34	6
10112001	16	6	10222354	50	41	11102308	34	11
10112357	58	16	10222354	54	46	11110301	36	13
10112407	18	56	10231603	16	34	11110400	36	11
10112803	16	48	10237907	54	30	11110509	36	12
10112803	18	48	10238004	54	31	11110707	36	8
10116051	30	3	10238103	54	32	11394509	26	24
10116606	30	23	10238202	54	33	11415866	42	13
10116705	30	40	10238301	54	34	11415908	42	22
10116754	30	37	10238400	54	35	11956802	12	22
10116804	30	15	10238509	54	36	13167556	46	1
10116903	30	35	10238806	54	39	13167903	46	8
10117109	30	24	10238905	54	40	13168000	46	9
10117208	30	18	10239002	54	42	13168109	46	10
10117851	32	55	10315208	24	60	13168208	46	11
10119105	34	18	10315455	24	61	13765607	38	44
10119204	34	19	10315505	24	54	22600555	2	42
10124204	12	10	10602902	2	2	22600555	58	10
10124303	12	15	10604809	6	31	22600654	58	11
10125201	26	16	10611457	16	14-95	22600753	58	12
10138707	54	38	10623403	38	34	22601058	2	38
10152957	50	44	10691053	58	27	22601058	58	7
10152957	56	49	10697506	12	36	22601157	58	8
10161305	34	17	10697605	12	3	22601256	58	9
10162204	44	2	10698652	58	28	22602601	4	46
10162253	44	1	10741106	12	11	22603112	2	27
10162600	44	3	11006202	26	7	22603203	2	29
10168300	54	37	11006350	26	6	22603401	42	1
10168706	54	41	11007309	26	8	22603906	6	32
10168904	54	43	11018108	26	20	22604003	6	43
10169001	54	44	11024015	44	7	22604300	6	45
10208551	36	29	11024106	44	8	22604409	6	39
10208700	36	32	11024205	44	11	22604508	6	19
10209203	36	20	11024304	44	23	22604607	6	35
10209203	58	17	11047107	44	4	22604656	6	34
10209500	36	21	11072402	12	14	22604904	6	44

NUMERICAL INDEX OF PARTS

PART NO	PAGE	REF NO.	PART NO	PAGE	REF NO.	PART NO	PAGE	REF NO.
22605307	6	2	22617104	26	23	22630503	50	25
22605356	6	1	22617609	12	30	22630602	50	26
22605406	6	9	22617708	12	24	22630800	50	27
22607006	10	83	22617807	12	23	22630909	50	28
22607105	10	73	22617906	12	17	22631006	50	29
22607204	10	74	22618102	12	6	22631105	50	30
22607303	10	81	22618201	12	4	22631303	50	31
22607402	10	82	22618300	12	5	22631402	50	32
22608103	26	10	22618706	12	40	22631501	50	33
22608152	26	5	22618805	12	31	22631709	50	34
22609002	24	26·52	22618904	12	27	22631808	50	35
22609101	22	29	22619001	38	28	22631907	50	36
22609200	22	25	22619100	4	11·50	22632004	50	37
22609309	24	56	22619209	38	11	22632103	50	38
22609408	22	43	22619415	38	18	22632202	50	39
22609606	24	55	22619605	38	27	22640353	50	42
22609705	22	36	22619704	40	65·66	22640353	54	47
22609754	22	35	22619803	38	25	22640452	50	43
22609804	16	8	22620108	38	9	22640452	56	48
22610000	22	6	22620355	38	6	22640759	50	45
22610109	22	2	22620454	38	7	22640759	56	50
22610208	22	4	22620504	38	14	22640858	50	46
22610307	22	8	22620702	38	8	22640858	56	51
22610406	22	23	22620801	26	32	22640957	50	47
22610505	22	16	22620801	38	21	22640957	56	52
22610604	22	9	22620900	2	14	22641252	52	48
22611651	20	14·95	22621056	42	28	22641252	56	53
22611701	20	11·94	22622005	44	24	22641351	52	49
22611909	20	97	22622104	44	15	22641351	56	54
22612501	16	51	22622302	6	7	22641450	52	50
22612501	18	51	22622351	6	6	22641450	56	55
22613400	18	86	22622401	6	33	22641757	52	51
22613608	18	89	22623102	20	93	22641757	56	56
22614101	18	65	22623201	6	12	22650055	2	45
22615009	18	76	22625305	50	1	22650055	4	45
22615108	18	75	22625404	50	2	22650352	2	43
22615207	18	79	22625503	2	40	22650352	58	4
22615306	18	78	22625503	50	3	22650451	58	5
22615454	18	12·74	22625602	50	4	22650550	58	6
22615462	16	12·74	22625701	50	5	22650857	2	39
22615702	18	80	22625800	50	6	22650857	58	1
22615801	18	82	22626006	50	7	22650956	58	2
22615959	18	83	22630107	50	22	22651053	58	3
22616254	18	84	22630206	50	23	22651202	4	56
22617005	26	34·47·48	22630404	50	24	22651459	4	47

# NUMERICAL INDEX OF PARTS

PART NO	PAGE	REF NO.	PART NO	PAGE	REF NO.	PART NO	PAGE	REF NO.
22651509	6	23	22680250	2	20	22687008	14	62
22651558	6	22	22680656	6	13	22687107	14	60
22651566	6	21	22681316	8	27	22687305	14	51
22651608	6	46	22681407	8	25	22687453	12	47
22652002	22	26·52	22681506	8	26	22687503	14	55
22652101	22	10	22681712	8	9	22687602	14	58
22654008	32	61	22681803	8	16	22687701	14	56
22654107	30	31	22681951	8	11~15	22687800	14	52
22654305	32	53	22682058	8	11~15	22689053	12	9
22654404	30	44	22682157	8	11~15	22689061	12	1·2
22654503	32	48	22682256	8	11~15	22689103	12	20
22654552	30	47	22682355	8	11~15	22689202	12	44
22654602	32	49	22682504	8	47	22689301	12	41
22654800	30	14	22682504	10	47	22689657	12	1·2
22654909	26	25	22682652	8	1·2	22693253	8	28
22654958	26	22	22682702	8	8	22693352	8	39
22655005	32	60	22682850	8	10	22693451	8	1·2
22655104	30	22	22683007	10	53	22810105	2	17·59
22655153	30	20	22683056	10	48	22811301	4	51
22655302	32	11·66	22683106	10	51	22811400	2	25
22655401	32	10·67	22683205	10	49	22811558	4	55
22656003	34	41	22683304	10	50	22812507	18	71
22656102	34	33	22683403	10	54	22812606	18	69
22656201	34	32	22683502	10	60	22812952	18	68
22656300	34	28	22683601	10	62	22813000	18	58
22656409	34	27	22683809	10	52	22813109	18	61
22656508	34	4	22683908	10	58	22813208	18	54
22656557	34	1	22684005	10	59	22813455	20	9·99
22656607	34	12	22684104	10	55	22813505	16	20
22657050	36	28	22684203	10	57	22813604	16	29
22657100	36	18	22684609	8	7	22813703	16	49
22657159	36	1	22685101	8	31	22813703	18	49
22657209	36	6	22685150	8	30	22814008	16	50
22657308	36	9	22685168	8	29	22814008	18	50
22657803	2	11·50	22685200	8	41	22815401	50	8
22660401	54	1	22685309	8	43	22815500	50	9
22660500	54	2	22685358	8	40	22815609	22	33
22660609	2	41	22685366	8	38	22815609	50	10
22660609	54	3	22685408	8	42	22815708	50	11
22660708	54	4	22685705	10	77	22815807	50	12
22660807	54	5	22685804	8	22	22815906	50	13
22660906	54	6	22685903	8	18	22816003	50	14
22661102	54	7	22686000	8	21	22816557	50	15
22665103	54	29	22686158	8	24	22816557	56	57
22680003	2	32	22686455	40	61	22816656	50	16



# NUMERICAL INDEX OF PARTS

PART NO	PAGE	REF NO.	PART NO	PAGE	REF NO.	PART NO	PAGE	REF NO.
22816656	56	58	22835201	58	25	22931109	46	13
22816755	26	44	22835300	58	26	22931109	48	8
22816755	50	17	22835557	58	23	22931307	46	7
22816755	56	59	22835656	58	24	22931307	48	6
22816854	50	18	22835805	12	43	22931406	46	5
22816854	56	60	22837504	42	36	22931406	48	4
22816953	50	19	22837553	42	27	22932453	44	10
22816953	56	61	22901805	2	34	22934202	44	20
22817050	50	20	22904155	24	50	22934251	44	16
22817050	56	62	22907109	26	43	22934301	44	21
22817159	50	21	22907505	26	36	22934400	44	19
22817159	56	63	22907604	26	37	22934509	44	17
22818009	4	17-59	22907703	26	38	22934608	44	18
22819007	18	72	22907802	26	1	22937965	6	30
22819106	18	70	22908552	26	4	22951552	2	8
22819304	18	47	22908800	26	15	22952501	34	37
22819403	16	46	22908909	26	13	22957104	36	14
22819502	16	38	22911804	22	18	23204001	6	5
22819809	16	36	22911903	22	21	23204506	8	4
22819908	16	35	22912000	22	20	23204605	8	5
22820104	30	5	22912109	22	19	23204704	8	6
22820153	30	4	22920201	26	19	23204803	40	59
22820203	30	10-67	22920706	2	23	23204951	8	3
22820302	30	11-66	22924708	38	1	23630007	38	63
22820666	16	9-99	22928303	42	35	23630007	40	63
22821201	54	8	22928402	42	34	26226209	34	40
22821300	54	9	22928808	42	32	26226407	34	39
22821409	22	34	22928907	42	30	26910158	48	1
22821409	54	10	22929004	42	31	40009196	36	7
22821508	54	11	22930309	46	12	40012461	30	26
22821607	54	12	22930309	48	7	40012577	38	23
22821706	54	13	22930408	46	6	40015144	10	65
22821805	54	14	22930408	48	5	40017058	26	41
22827109	16	28	22930507	46	3	40021415	4	64
22827158	16	19	22930507	48	2	40030133	28	34-47-48
22827208	16	43	22930556	46	2	40034204	26	11
22827257	16	39	22930556	48	20	40039672	28	34-47-48
22827307	16	44	22930705	46	4	B1104051000	2	31
22827406	16	40	22930705	48	3	B1202512000	6	16
22827505	18	91	22930804	46	16	B1214038000	40	52
22827653	18	90	22930804	48	11	B1402528DALA	54	15
22827703	18	92	22930903	46	15	B1402528DARA	54	22
22831259	16	37	22930903	48	10	B1402528EAL	54	16
22835003	58	21	22931000	46	14	B1402528EAR	54	23
22835102	58	22	22931000	48	9	B1402528FALA	8	36

## NUMERICAL INDEX OF PARTS

PART NO	PAGE	REF NO.	PART NO	PAGE	REF NO.	PART NO	PAGE	REF NO.
B1402528FALA	54	17	B3128520000	14	64	EA9500B0100	40	58
B1402528FARA	8	45	B3129012B00	42	17	HA000590000	36	15
B1402528FARA	54	24	B31375270A0	12	32	HA001900000	34	10
B1402528GAL	54	18	B3138527000	12	29	HK034610140	32	57
B1402528GAR	54	25	B3139527000	12	33	HK03464000B	32	56
B1402528HALA	54	19	B3141527000	12	25	HK03464000B	34	13
B1402528HARA	54	26	B3142527000	12	34	HK03464000B	36	24
B1402528KALA	54	20	B3143527000	12	35	HW200390000	36	16
B1402528KARA	54	27	B3211555000	42	21	HW500070000	34	9
B1402528LAL	54	21	B3417051000	32	62	HW500070000	36	17
B1402528LAR	54	28	B3418180000	30	17	M4002110000	6	24
B1414512000	10	79	B3517009000	38	17	M40071100AA	6	25
B1425526000	8	46	B3524552000	40	53	M40071100AB	6	26
B1438512B00	10	80	B3534012000	40	62	M6045350AAA	4	60
B1449526000	12	19	B3534155000	40	51	MC200500900	10	68-69
B1501581000	26	40	B3538112000	40	56	MC200501300	10	76-78
B1505227T00A	26	39	B8233555000	42	5	MDP500B1400	10	68-69
B1515051000	30	46	B9117563000	16	18	MDP500B2100	10	76-78
B1521555000	26	2	BT0500300EA	24	64	NM6040002SE	46	24
B1524512DBH	58	29	BT0630520Z0	6	8	NM6050001SE	46	28
B1524512FBE	58	30	CM300200001	4	48-49	NM6050001SE	48	18
B1603512000	22	46	CM3002000B1	4	48-49	NM6050001SP	30	43
B1604012000A	22	41	CM300200101	4	62-63	NM6060001SE	44	12
B1610512000	22	31	CM3002001A1	4	62-63	NM6160511SE	46	27
B1633470000	24	63	CQ202000000	6	3	NM6160511SE	48	17
B1636581B00	22	30	CQ202000000	18	63	NS6080210SP	22	44
B1653470000	24	65	CQ252000000	6	10	NS6090310SP	36	26
B1705850000	10	61	CQ252000000	10	63	NS6090310SP	38	33
B18025120A0A	16	2	CQ252000000	24	51	NS6110310SN	38	5
B18025120A0A	58	13	CQ505000000	6	14	NS6110310SP	12	8
B18025120AB	58	14	CS070081BSH	30	33	NS6110310SP	36	10
B18035150A0	16	10	CS102121ASH	22	11	NS6110310SP	38	37
B18035150A0	58	15	CS1470710SH	30	29	NS6110420SP	18	62
B1816512000	16	4	CS1471012SH	16	16	NS6110420SP	38	16
B1821051000	18	60	D2112555B00	2	57	NS6120310SP	12	45
B1823051000	18	64	D2112555B00	4	57	NS6120310SP	38	13
B1834512000A	38	36	D2427555B00B	30	42	NS6150430SP	10	72
B1850512000	38	31	D2428555B00A	30	41	NS6620310SP	26	27
B1851512000	38	30	D2430555B00	30	39	NS6680320SP	24	57
B3041980000	32	59	D2464555B00	34	22	NS6700420SP	38	20
B3112704000	12	21	D3159555B00	26	26	PS0300201KP	30	25
B3114232000	12	18	D3163555B00A	26	30	PS0600502KP	26	35
B3125012000	42	18	D3164555B00	26	28	RE0320000K0	36	31
B3126012000	12	16	D3171415B0H	18	81	RE0400000K0	34	23
B3126012000	42	16	EA9500B0100	32	65	RE0500000K0	22	3

# NUMERICAL INDEX OF PARTS

PART NO	PAGE	REF NO.	PART NO	PAGE	REF NO.	PART NO	PAGE	REF NO.
RE0500000K0	26	18	SM9061203SE	44	22	SS6090670TP	22	1
RE0500711KP	22	40	SM9061853SR	44	14	SS6090810SP	18	52
RE0700000K0	14	57	SQ1110401MZ	38	65-66	SS6110430TP	14	48
RE0900000K0	22	14	SQ1110401MZ	40	65-66	SS6111052TP	30	28
RE1000000K0	44	9	SQ1150451MZ	38	39	SS6111140SP	2	5
RO037180100	26	3	SS2080810SP	30	1	SS6111210SP	6	28
RO092270200	22	17	SS2090710TP	2	35	SS6111610SP	38	35
RO098240100	44	6	SS2110920TP	2	37	SS6120940SP	32	63
RO195240100	38	2	SS2110920TP	30	27	SS6121212TP	30	13
RO437200200	6	37	SS2110930SP	38	29	SS6121610TP	10	75
SB120000100	6	36	SS3090520SP	36	33	SS6121610TP	24	58
SB30953010A	18	67	SS3090610SP	4	52	SS6121610TP	30	54
SD0470281SP	12	7	SS4090715SP	10	66	SS6121610TP	32	54
SD0490261SP	42	37	SS4090815SP	8	17	SS6121610TP	38	12
SD0500301SP	36	27	SS4110515SP	18	85	SS6121610TP	42	8
SD0600271SP	30	19	SS4110515SP	26	46	SS6121840SP	34	38
SD0600322SD	26	17	SS4110515SP	42	33	SS6121860SP	22	22
SD0601171SP	12	12	SS4110615SP	12	37	SS6151040SP	32	58
SD0640241SP	12	61	SS4110615SP	38	24	SS6151220SP	30	38
SD0640241SP	14	61	SS4110715SP	26	29	SS6151780SP	2	16
SD0640321SP	34	34	SS4110715SP	38	26	SS6152440SP	10	70
SD0640752TP	14	54	SS4110815SP	2	4	SS6153040SP	18	57
SD0650305TP	32	52	SS4110815SP	18	77	SS6560150SH	16	45
SD0650321TP	36	5	SS4110815SP	22	24	SS6580710TP	58	32
SD0720332SP	26	14	SS4110815SP	40	57	SS6580752TP	22	32
SD0800422CP	22	5	SS4111015SP	4	61	SS6661110SP	6	18
SD0870601SP	10	71	SS4111015SP	26	33	SS6661110SP	22	27
SD0900701TP	24	59	SS4111215SP	26	31	SS7060310SP	10	64
SK3412000SC	42	11	SS4111215SP	38	15	SS7081310SP	42	38
SK3482500SC	42	41	SS4111215SP	42	7	SS7090510SP	12	28
SL4030891SC	36	4	SS4111815SP	38	3	SS7090610SP	40	60
SM0081001SD	44	5	SS4120615SP	2	58	SS7090710SP	30	12
SM4031501SC	34	8	SS4120615SP	4	58	SS7090710SP	38	32
SM4040655SP	34	3	SS4120615SP	12	46	SS7090910TP	26	45
SM4041001SC	46	20	SS4120615SP	34	35	SS7110510SP	24	62
SM4041201SC	46	22	SS4120615SP	36	25	SS7110710SP	8	20
SM4042001SC	46	23	SS4120915SP	14	59	SS7110710SP	16	13
SM4051405SE	46	18	SS4121015SP	2	21	SS7110710SP	22	28
SM4051405SE	48	13	SS4153015SP	34	29	SS7110710SP	34	15
SM6061610SC	46	17	SS5090610SP	30	9	SS7110740TP	14	49
SM6061610SC	48	12	SS6060510TP	8	23	SS7110840SP	42	29
SM6082502TP	18	88	SS6080340SP	10	56	SS7110910SP	24	53
SM8040802SP	34	7	SS6080410SP	10	67	SS7111310TP	24	47
SM8050502TP	22	42	SS6081810SP	22	45	SS7111410TP	14	53
SM8063012TR	44	13	SS6090630SP	2	36	SS7111810SP	18	73

## NUMERICAL INDEX OF PARTS

PART NO	PAGE	REF NO.	PART NO	PAGE	REF NO.
SS7120760SP	6	17	WP0450801SD	6	29
SS7120760SP	16	15	WP0450801SP	12	39
SS7120760SP	34	36	WP0480856SP	42	39
SS7120910SP	22	15	WP0501016SC	42	40
SS7121410SP	22	7	WP0501016SD	12	38
SS7151210SP	34	24	WP0501016SD	32	64
SS7151610SP	30	16	WP0501016SD	34	20
SS7681750TP	6	40	WP0501016SD	42	10
SS8080610SP	30	7	WP0612056SD	34	31
SS8110410TP	30	30	WP0621016SD	22	39
SS8110510SP	30	34	WP0621016SD	34	26
SS8110520TP	14	50	WP0753016SZ	30	36
SS8111010TP	30	21	WP0850002SP	18	87
SS8120740SP	2	24	WP1612616SE	46	25
SS8150410SP	4	53	WP1612616SE	48	15
SS8150822TP	6	11	WS0451040KP	42	9
SS8151150SP	4	54	WS0510002KN	46	29
SS8151150SP	16	3	WS0510002KN	48	19
SS8151150SP	24	49	WS0610002KP	34	30
SS8151550SP	6	27	WS0631510KP	34	25
SS8660530TP	6	38	WS1643202KR	46	26
SS8660530TP	16	98	WS1643202KR	48	16
SS8660530TP	20	98	WT0530002KS	2	10
SS8660610TP	22	12			
SS8660810TP	16	5			
SS8660810TP	26	42			
SS8660810TP	30	32			
SS8680540SP	6	15			
SS8680810TP	6	42			
SS8681650TP	6	41			
SS8701782TP	38	19			
SS9080410SP	30	8			
SS9110460CP	2	33			
SS9110460CP	14	63			
SS9111010SP	32	50			
SS9111010SP	34	21			
SS9111010SP	36	30			
SS9151440CP	22	38			
TA0500601M0	20	96			
TA0750404R0	2	12			
TA0750704R0	2	15			
TA1250406R0	2	22			
WP0371016SD	18	53			
WP0371016SD	36	19			
WP0450000SD	8	19			