

MODEL : LU-562N/LU-563N

List No : 1025-00

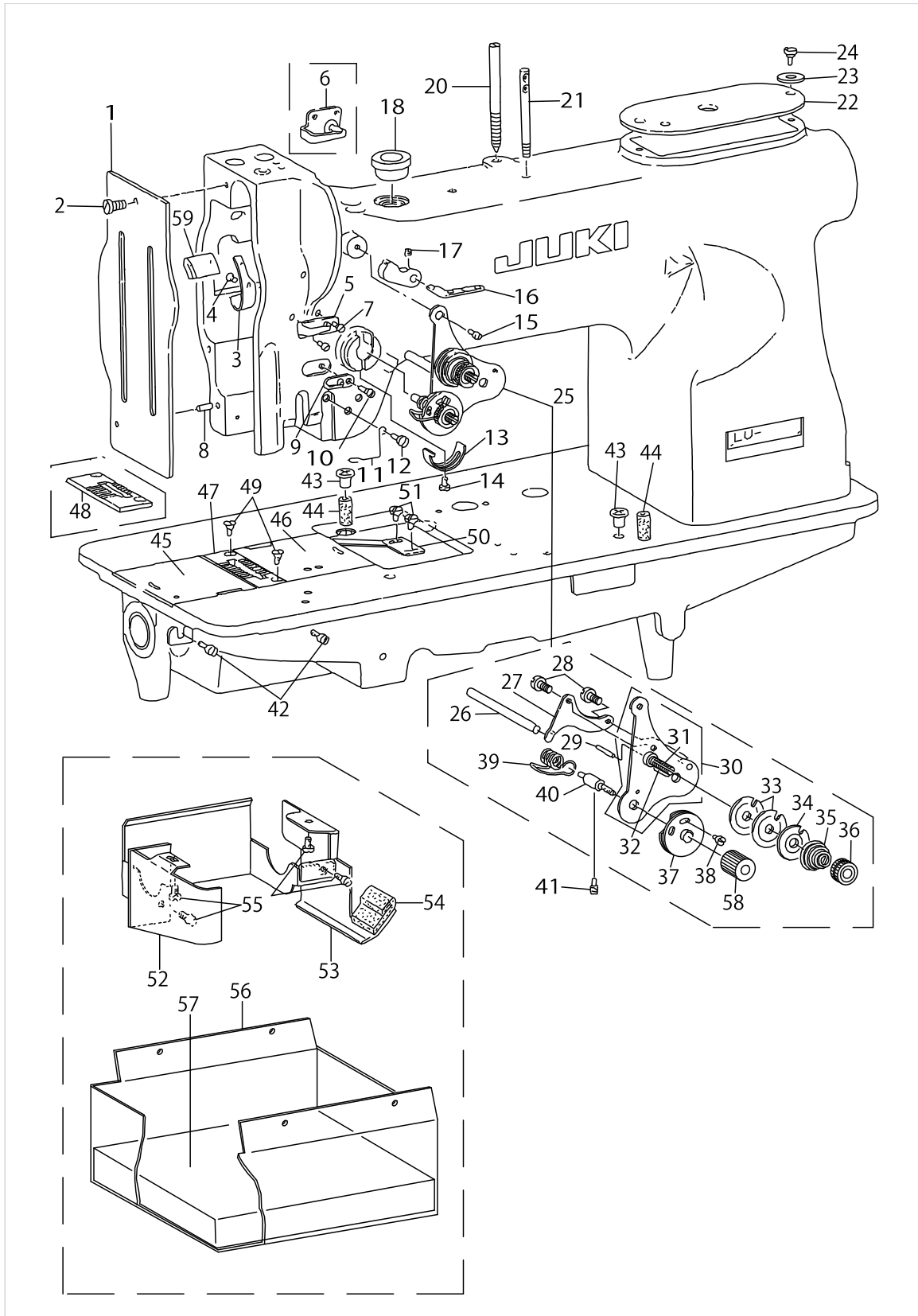
PARTS LIST

Published:09/22/2017

CONTENTS

MACHINE HEAD & MISCELLANEOUS COVER COMPONENTS	1
UPPER MAIN SHAFT & THREAD TAKE-UP COMPONENTS	5
SEWING HOOK & SHAFT COMPONENTS	9
NEEDLE BAR & WALKING FOOT COMPONENTS	13
PRESSER BAR & FEED ROCK SHAFT COMPONENTS	17
REVERSE FEED CONTROL LEVER COMPONENTS	21
SAFETY CLUTCH MECHANISM,KNEE LIFTER COMPONENTS	23
BELT COVER COMPONENTS(SPECIAL ORDER PARTS)	27
ATTACHMENTS COMPONENTS	29
OPTION PARTS COMPONENTS	31
HOW TO MAKE USE OF THIS PARTS LIST	33

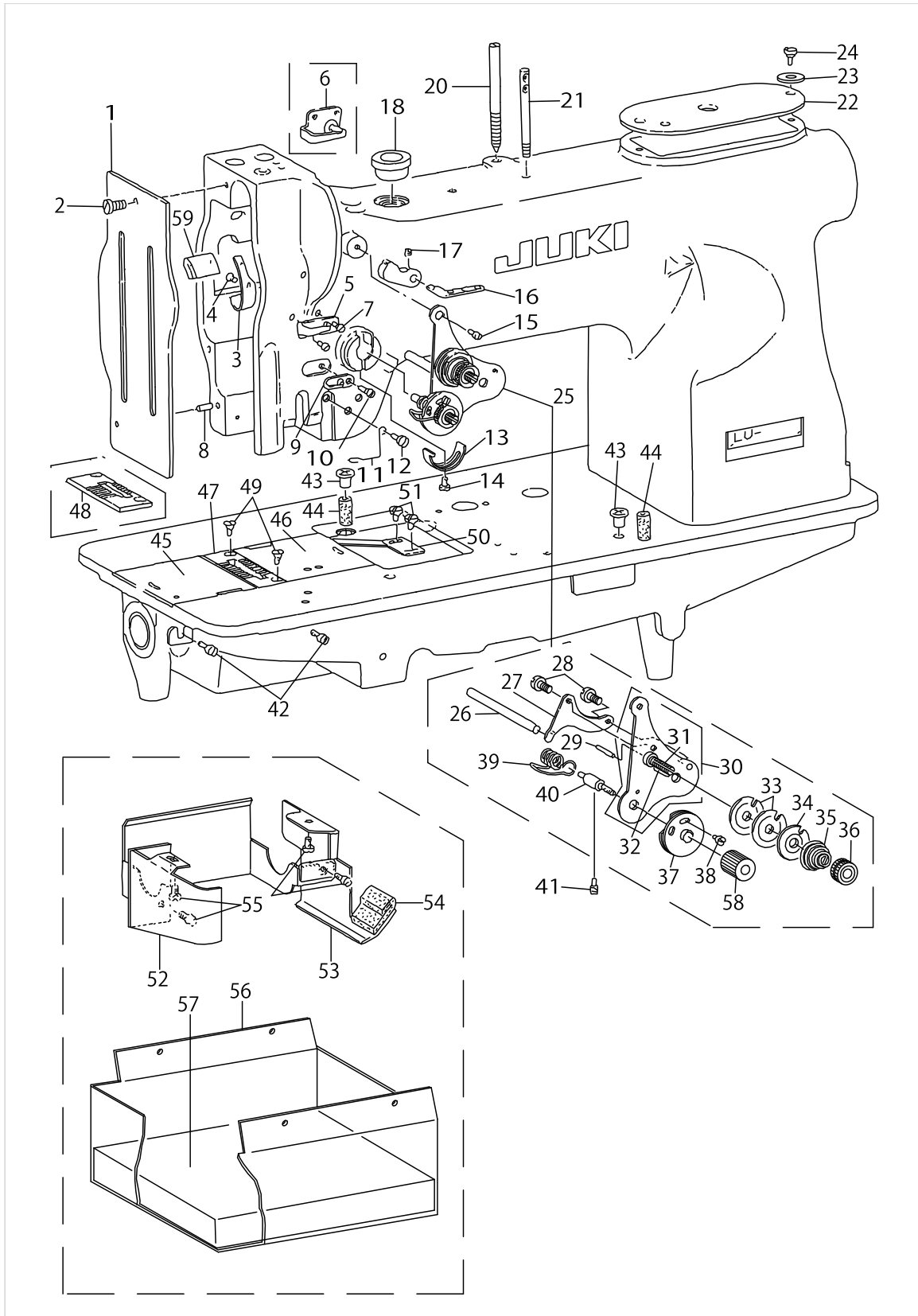
MACHINE HEAD & MISCELLANEOUS COVER COMPONENTS



MACHINE HEAD & MISCELLANEOUS COVER COMPONENTS

No.	Parts No.	Parts name	Remarks	Level	Cons	Qty
1	B3101053000	FACE PLATE				1
2	SS7090610SP	SCREW 9/64-40 L=6				1
3	B1140051000	TAKE-UP OIL SPLASHER				1
4	SS3090610SP	SCREW 9/64-40 L=6				1
5	B1129051000	FRAME THREAD GUIDE, UPPER	FOR LU-562N			1
6	B1129563000	FRAME THREAD GUIDE, UPPER	FOR LU-563N			1
7	SS2090710SP	SCREW 9/64-40 L=7				2
8	B1103051000	FACE PLATE PIN				1
9	B1130051000	FRAME THREAD GUIDE, MIDDLE				1
10	SS2090710SP	SCREW 9/64-40 L=7				1
11	B1131562000	FRAME THREAD GUIDE, LOWER				1
12	SS3090610SP	SCREW 9/64-40 L=6				1
13	B3138512000	TAKE-UP SPRING ADJUSTING PLATE				1
14	SS7090520SP	SCREW 9/64-40 L= 4.5				1
15	SS7110720SP	SCREW 11/64-40 L=7				1
16	B1128522000	THREE HOLE THREAD EYELET				1
17	SS8110510SP	SCREW 11/64-40 L=5				1
18	B1156115000	RUBBER PLUG				1
19	B1155053000	OIL CUP				1
20	B1509051000	ADJUSTING SCREW				1
21	B1114012000	THREAD GUIDE PIN				1
22	B1150563000	TOP COVER				1
23	B1152051000	WASHER				1
24	SD0630241SD	HINGE SCREW D= 6.30 H= 2.4				1
25	B31210530A0	TENSION CONTROLLER BASE ASM.				1
26	B3122053000	TENSION RELEASE BAR		*		1
27	B3134051000	TENSION RELEASE LEVER		*		1
28	SD0470281SP	HINGE SCREW D=4.7 H=2.8		*		2
29	B3127051000	TENSION RELEASE PIN, SHORT		*		1
30	B31240510A0	TESION STUD ASM.		*		1
31	B3124051000	TENSION STUD		*		1
32	PS0200122K0	SPRING PIN 2.0X12		*		1
33	B3126051000	TENSION DISC		*		2
34	B3132051000	TENSION DISC HOLDER		*		1
35	B3129053000	TENSION SPRING		*		1
36	B3125012000	THREAD TENSION NUT		*		2
37	B31370510A0	TAKE-UP SPRING GUIDE DISC ASM.		*		1
38	SS4080610SP	SCREW 1/8-44 L=6.4		*		1
39	B3128051000	THREAD TAKE-UP SPRING, A		*		1
40	B3123051000	TAKE-UP SPRING STUD		*		1
41	SS8111251SP	SCREW 11/64-40 L=12.0				1
42	SS7110510SP	SCREW 11/64-40 L=5	FOR LU-562N			2
43	B1156115000	RUBBER PLUG				1
44	B1132562000	OIL FELT				1
45	B1112053000A	BED SLIDE,LEFT				1
46	B1113053000A	BED SLIDE, RIGHT				1
47	B1109562000	THROAT PLATE	FOR LU-562N			1

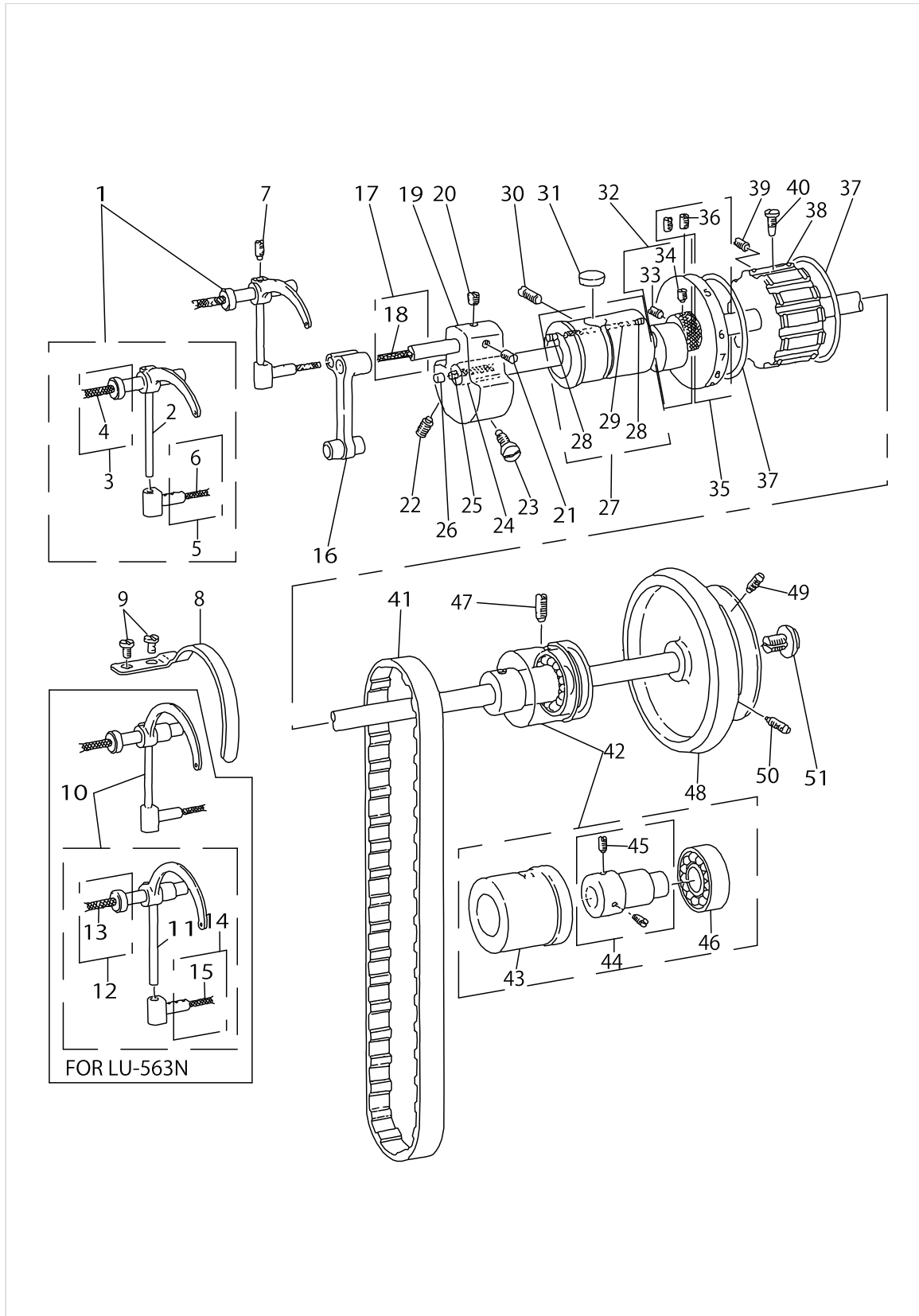
MACHINE HEAD & MISCELLANEOUS COVER COMPONENTS



MACHINE HEAD & MISCELLANEOUS COVER COMPONENTS

No.	Parts No.	Parts name	Remarks	Level	Cons	Qty
48	B1109053000A	THROAT PLATE	FOR LU-563N			1
49	SS2110920TP	SCREW 11/64-40 L=8.5				2
50	B1111563000	BED SLIDE SPRING				1
51	SS7110510SP	SCREW 11/64-40 L=5				2
52	B1838563000	OIL SHIELD, (A)	FOR LU-563N			1
53	B1844563000	OIL SHIELD, (B)	FOR LU-563N			1
54	B1846563000	OIL DRIP FELT	FOR LU-563N			1
55	SS7110510SP	SCREW 11/64-40 L=5	FOR LU-563N			4
56	B1839563000	OIL RECEIVING COVER	FOR LU-563N			1
57	B1841563000	OIL DRIP FELT	FOR LU-563N			1
58	10320208	THRED TENSION STUD NUT				1
59	B1846563000	OIL DRIP FELT				1

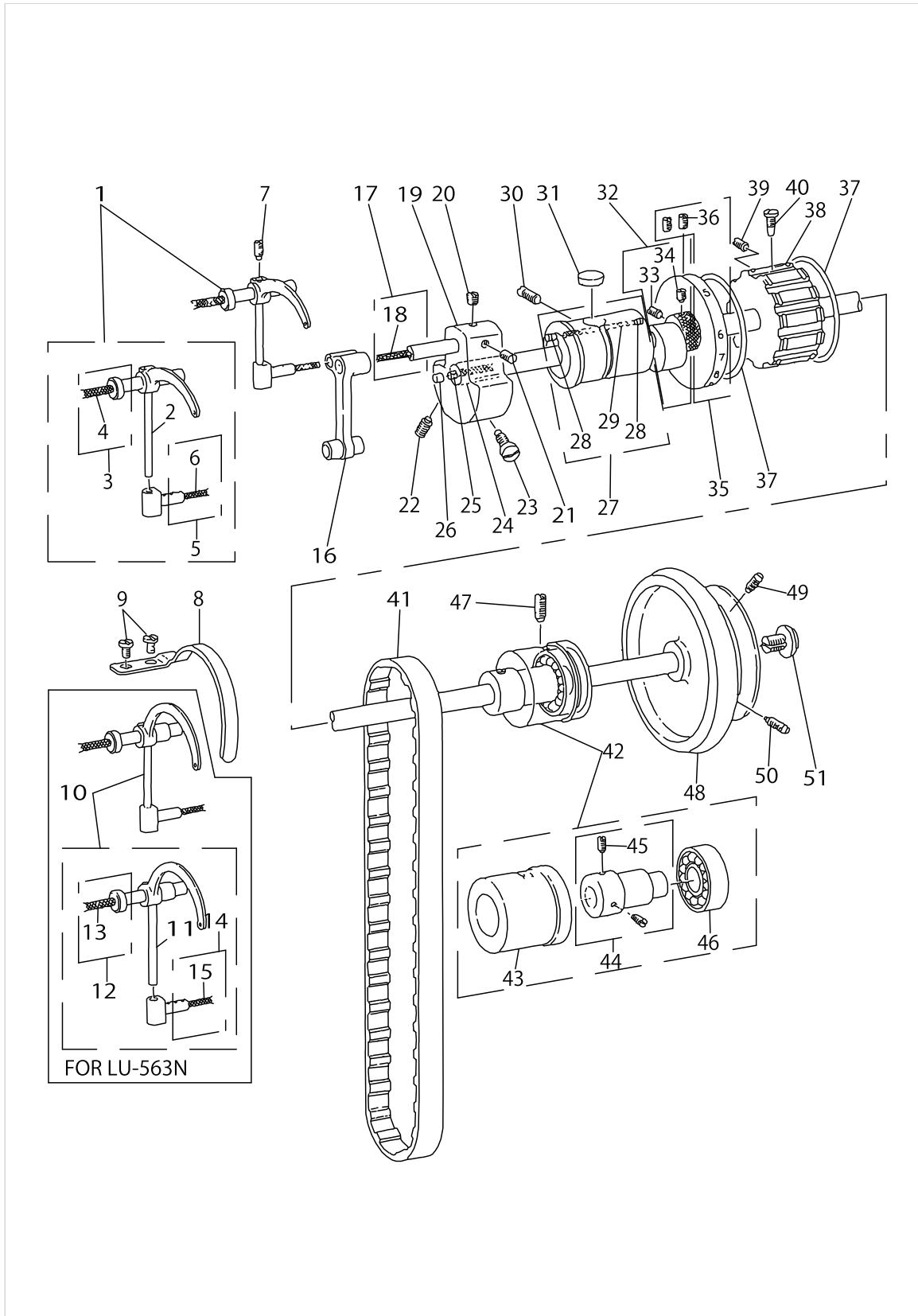
UPPER MAIN SHAFT & THREAD TAKE-UP COMPONENTS



UPPER MAIN SHAFT & THREAD TAKE-UP COMPONENTS

No.	Parts No.	Parts name	Remarks	Level	Cons	Qty
1	B19050530B0	THREAD TAKE-UP LEVER ASM.	FOR LU-562N			1
2	B1905053000	THREAD TAKE-UP	FOR LU-562N	*		1
3	B19060510A0	TAKE-UP LEVER PIN ASM.	FOR LU-562N	*		1
4	CQ202000000	OIL WICK	FOR LU-562N	*		0.1
5	B19070510A0	TAKE-UP LEVER THRUST PIN ASM.	FOR LU-562N	*		1
6	CQ202000000	OIL WICK	FOR LU-562N	*		0.1
7	SS8151150SP	SCREW 15/64-28 L=10.5				1
8	B1158563000	THREAD TAKE-UP LEVER COVER	FOR LU-563N			1
9	SS7150740SP	SCREW 15/64-28 L=7	FOR LU-563N			1
10	B19055630B0	THREAD TAKE-UP LEVER ASM.	FOR LU-563N			1
11	B1905563000	THREAD TAKE-UP LEVER ASM.	FOR LU-563N	*		1
12	B19060510A0	TAKE-UP LEVER PIN ASM.	FOR LU-563N	*		1
13	CQ202000000	OIL WICK	FOR LU-563N	*		0.1
14	B19070510A0	TAKE-UP LEVER THRUST PIN ASM.	FOR LU-563N	*		1
15	CQ202000000	OIL WICK	FOR LU-563N	*		0.1
16	B1408051000	NEEDLE BAR CRANK ROD				1
17	B12100510A0	NEEDLE BAR CRANK PIN ASM.				1
18	CQ202000000	OIL WICK		*		0.1
19	B1206051000	COUNTERWEIGHT				1
20	SS8680540SP	SCREW 9/32-28 L= 4.5				1
21	SS8680730SP	SCREW 9/32-28 L=7				1
22	SS8681650TP	SCREW 9/32-28 L=16				1
23	SS7681750TP	SCREW 9/32-28 L=16.5				1
24	D1201055B00	MAIN SHAFT				1
25	CQ303000000	OIL WICK				0.1
26	TA0500601M0	PLUG D=5X5.4 L=6				1
27	B12020510A0	MAIN SHAFT BUSHING, FRONT ASM.				1
28	B1230051000	LEATHER PLUG		*		2
29	CQ202000000	OIL WICK		*		0.1
30	SS8151150SP	SCREW 15/64-28 L=10.5				1
31	B1203051000	OIL FELT				1
32	D1450055BA0	TOP FEED CAM ASM.				1
33	SS8660530TP	SCREW 1/4-40 L= 4.5		*		1
34	SS8661040TP	SCREW 1/4-40 L=10		*		1
35	B12205620A0	STITCH DIAL ASM				1
36	SS8151230SP	SCREW 15/64-28 L=12		*		2
37	B1214019000	SPROCKET RING				2
38	B1302051000	SPROCKET WHEEL, UPPER				1
39	SS8681950SP	SCREW 9/32-28 L=19				1
40	SS7681750TP	SCREW 9/32-28 L=16.5				1
41	B1301051000	TIMING BELT				1
42	B12160510A0	MAIN SHAFT BUSHING ASM., REAR				1
43	B1216051000	MAIN SHAFT BUSHING 1, REAR		*		1
44	B12170510A0	MAIN SHAFT BUSHING, REAR ASM.		*		1
45	SS8150710SP	SCREW 15/64-28 L=7		*		2
46	SB115000200	BEARING		*		1
47	SS8151150SP	SCREW 15/64-28 L=10.5				1

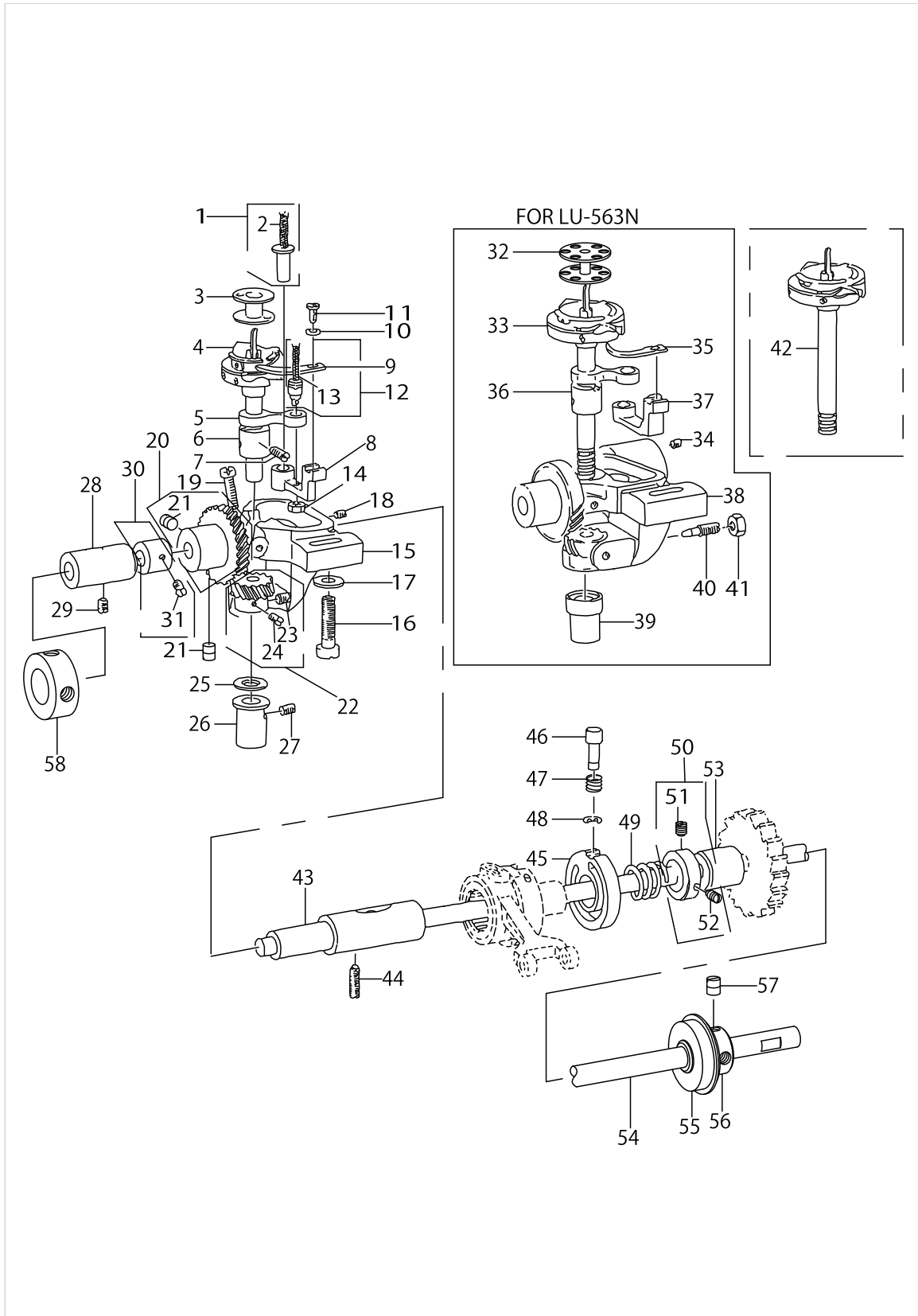
UPPER MAIN SHAFT & THREAD TAKE-UP COMPONENTS



UPPER MAIN SHAFT & THREAD TAKE-UP COMPONENTS

No.	Parts No.	Parts name	Remarks	Level	Cons	Qty
48	B1227053000	HAND WHEEL				1
49	SS8152030SP	SCREW 15/64-28 L=20				1
50	SS8151780SP	SCREW 15/64-28 L=17.0				1
51	SS7701010SP	SCREW 5/16-24 L=10				1

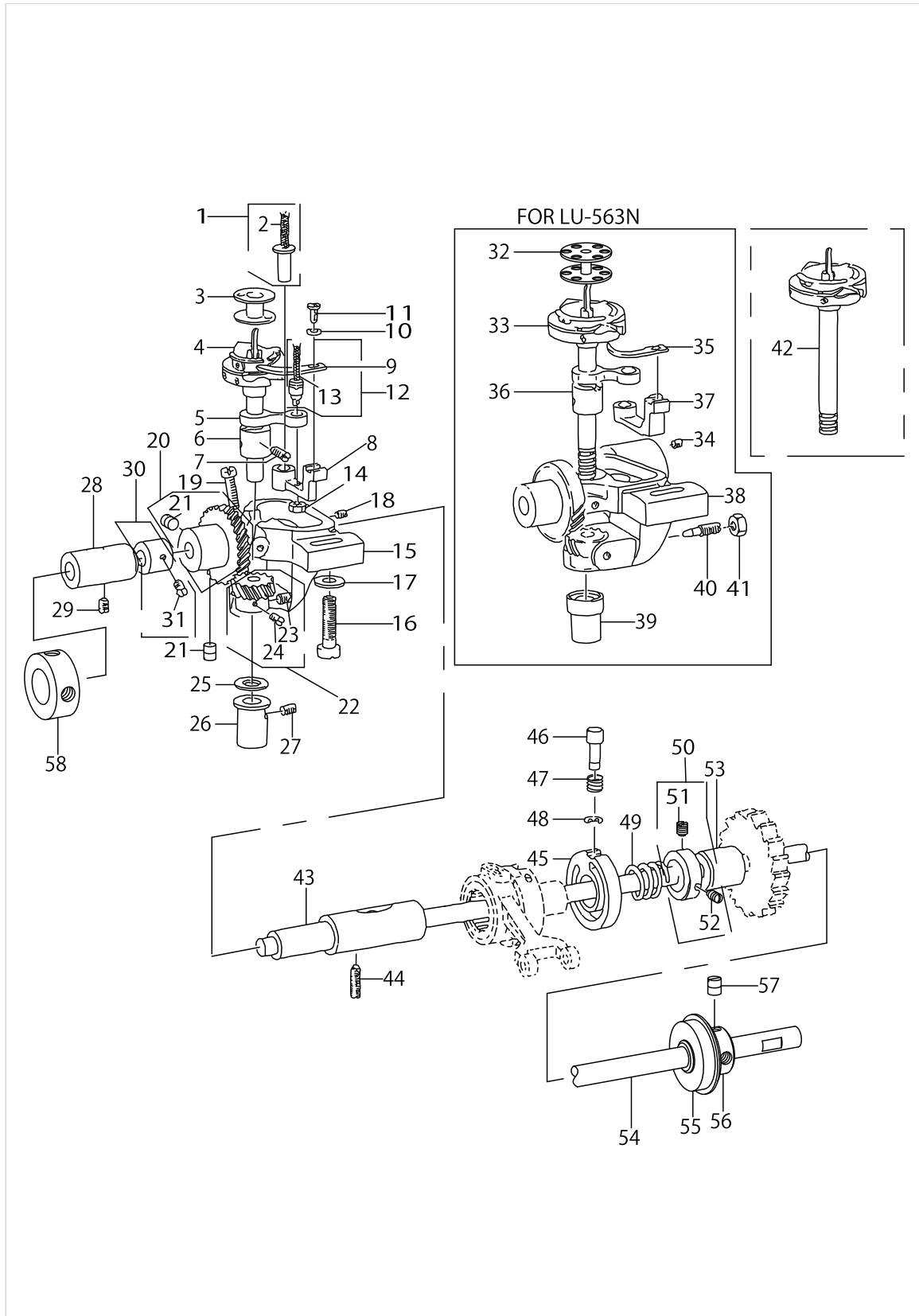
SEWING HOOK & SHAFT COMPONENTS



SEWING HOOK & SHAFT COMPONENTS

No.	Parts No.	Parts name	Remarks	Level	Cons	Qty
1	B18230510A0	PIN ASM.				1
2	CQ202000000	OIL WICK		*		0.1
3	B9117051000	BOBBIN	FOR LU-562N			1
4	B18300550A0	VERTICAL-AXIS SEWING HOOK ASM.	FOR LU-562N			1
5	B1820563000	BOBBIN CASE OPENING LEVER LINK				1
6	B1814051000	HOOK DRIVING SHAFT BUSHING, UP	FOR LU-562N			1
7	SS8151150SP	SCREW 15/64-28 L=10.5				1
8	B1822051000	OPENING LEVER CRANK	FOR LU-562N			1
9	B1824051000	BOBBIN CASE OPENING LEVER	FOR LU-562N			1
10	WP0371016SD	WASHER 3.7X8X1				1
11	SS6090810SP	SCREW 9/64-40 L= 7.5				1
12	B18210510A0	SCREW STUD ASM.				1
13	CQ202000000	OIL WICK		*		0.1
14	NS6110420SP	NUT 11/64-40				1
15	B1811051000	HOOK SHAFT SADDLE, RIGHT				1
16	SS7762840SP	SCREW 1/4-28 L=28.0				1
17	WP0753016SZ	WASHER 7.5X16.0X3.0				1
18	SS8150710SP	SCREW 15/64-28 L=7	FOR LU-562N			1
19	SS6153040SP	SCREW 15/64-28 L=30				1
20	B18160510A0	HOOK DRIVING SHAFT GEAR ASM, L				1
21	SS8660810TP	SCREW 1/4-40 L=8		*		2
22	B18170510A0	HOOK DRIVING SHAFT GEAR ASM, S				1
23	SS8660530TP	SCREW 1/4-40 L= 4.5		*		1
24	SS8660670SP	SCREW 1/4-40 L= 6.1		*		1
25	B1818051B00	THRUST WASHER, B				1
26	B1815051000	HOOK DRIVING SHAFT BUSHING, LO	FOR LU-562N			1
27	SS8150710SP	SCREW 15/64-28 L=7				1
28	B18025630A0	HOOK DRIVING SHAFT,FRONT ASM.				1
29	SS8152030SP	SCREW 15/64-28 L=20				1
30	B18400510A0	FEED DRIVING ECCENTRIC ASM.				1
31	SS8150510TP	SCREW 15/64-28 L= 4.7		*		1
32	B9117563000	BOBBIN	FOR LU-563N			1
33	B18305630A0	VERTICAL-AXIS SEWING HOOK ASM.	FOR LU-563N			1
34	SS8151230SP	SCREW 15/64-28 L=12	FOR LU-563N			1
35	B1824563000	BOBBIN CASE OPENING LEVER	FOR LU-563N			1
36	B1814563000	HOOK DRIVING SHAFT BUSHING, UP	FOR LU-563N			1
37	B1822563000	BOBBIN CASE OPENING LEVER CRAN	FOR LU-563N			1
38	B1811563000	HOOK DRIVING SHAFT SADDLE	FOR LU-563N			1
39	10179307	BUSHING,LOWER	FOR LU-563N			1
40	B1843563000	OIL ADJUSTING SCREW	FOR LU-563N			1
41	NS6110420SP	NUT 11/64-40	FOR LU-563N			1
42	B1830563BA0	HOOK ASM., FOR EXTREME THICK T	SPECIAL ORDER PART FOR LU-56- 3N (FOR EXTREM- ELY THICK THREAD)			1
43	B1804051000	BUSHING, INTERMEDIATE				1
44	SS8151550SP	SCREW 15/64-28 L=15				1
45	B1626562000	FEED ECCENTRIC GUIDE				1

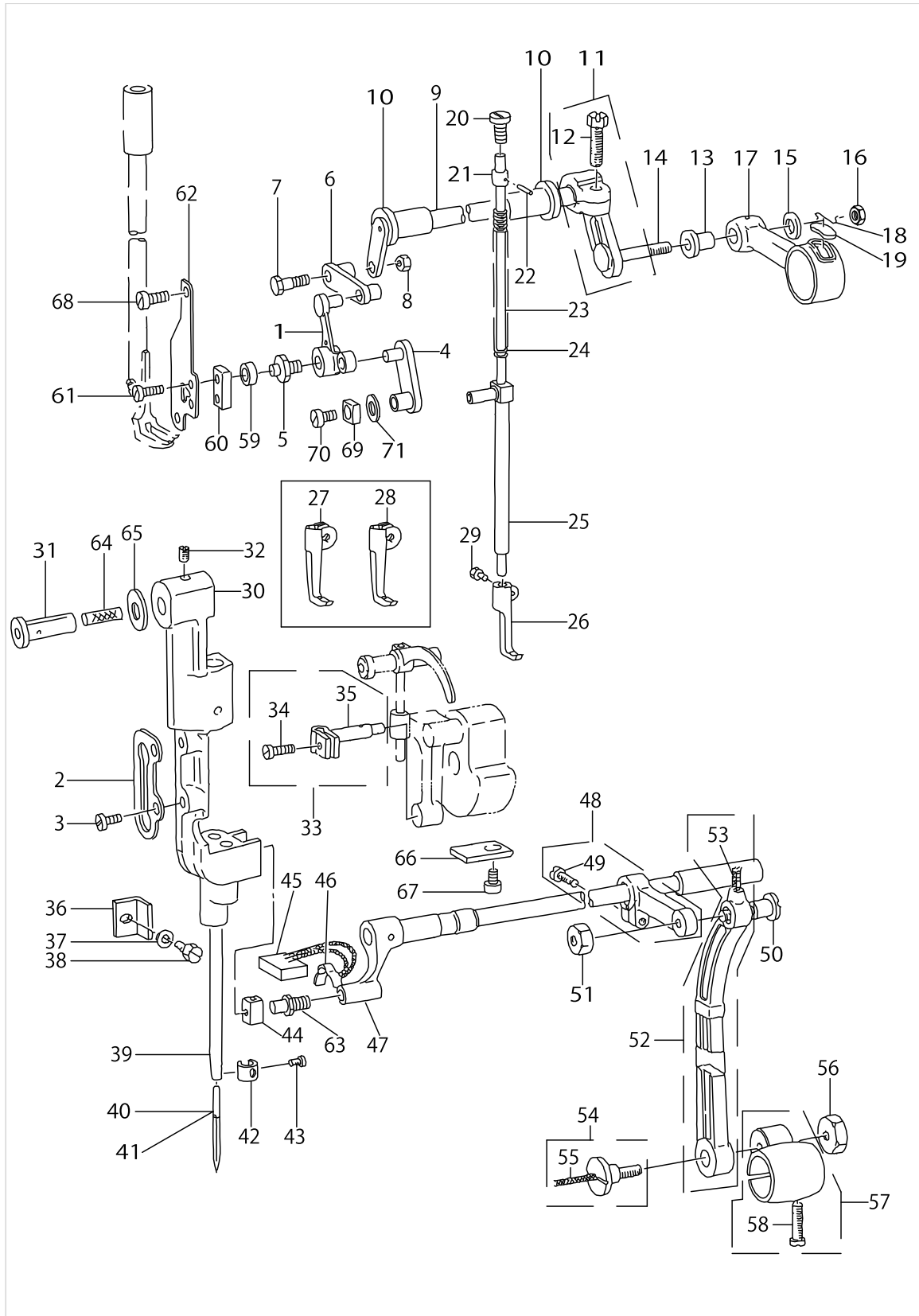
SEWING HOOK & SHAFT COMPONENTS



SEWING HOOK & SHAFT COMPONENTS

No.	Parts No.	Parts name	Remarks	Level	Cons	Qty
46	B1636055000	FEED ECCENTRIC ADJUSTING KNOB				1
47	B1639051000	SPRING				1
48	RE0500000K0	E-RING				1
49	B1624055000	FEED ECCENTRIC BODY SPRING				1
50	B16250570A0	RETAINING COLLAR ASM.				1
51	SS8110510SP	SCREW 11/64-40 L=5		*		1
52	SS8110750SP	SCREW 11/64-40 L= 6.5		*		1
53	B1807512000	BUSHING B, INTERMEDIATE				1
54	B1801563000	HOOK DRIVING SHAFT				1
55	SB115000700	BALL BEARING				1
56	B1804512000	THRUST COLLAR				1
57	SS8150750SP	SCREW 15/64-28 L=7				2
58	CS0950810SH	THRUST COLLAR ASM. D=9.5 W=8				1

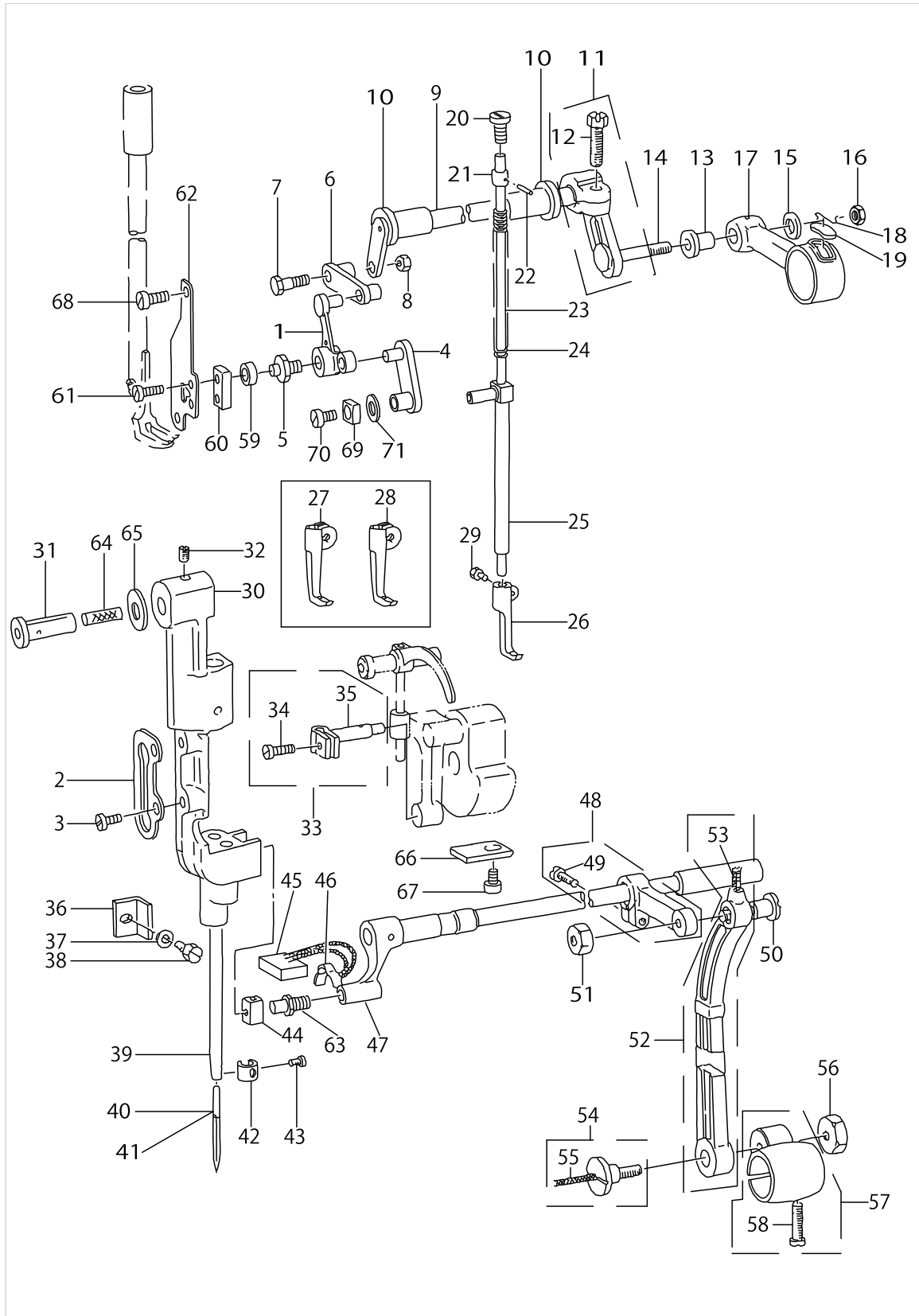
NEEDLE BAR & WALKING FOOT COMPONENTS



NEEDLE BAR & WALKING FOOT COMPONENTS

No.	Parts No.	Parts name	Remarks	Level	Cons	Qty
1	D1459241E00	L SHAPED LINK				1
2	B1467563000	UPPER FEED BAR GUIDE				1
3	SS7110910SP	SCREW				2
4	B1465053000	WALKING BAR DRIVING LINK				1
5	B1461245000	GUIDE SHAFT HINGE SCREW				1
6	B1458241H00	UPPER FEED CONNECTING LINK				1
7	B3008141H00	HINGE SCREW				1
8	NS6660430SP	NUT 1/4-40				1
9	B1456053000	UPPER FEED DRIVING SHAFT				1
10	B1455053000	BUSHING				2
11	D1454055BA0	UPPER FEED SPRING ROD ASM.				1
12	SS9161610SP	SCREW 1/4-24 L=16		*		1
13	D1455055B00	CONNECTING STUD				1
14	D1456055B00	HINGE SCREW				1
15	WP0482086SD	WASHER 4.8X11.5X2.0				1
16	NS6110530SP	NUT 11/64-40				1
17	D1453055B00	UPPER FEED DRIVING ROD				1
18	B1213012000	FELT RETAINER				1
19	B1702012000	OIL FELT				1
20	SS6151780SP	SCREW 15/64-28 L=17.0				1
21	B146705300B	RETAINING COLLAR				1
22	B146752100C	RETAINING COLLAR PIN				1
23	B146705300A	SPRING POLE				1
24	B1468053000	WALKING BAR SPRING				1
25	B1466563000	WALKING BAR				1
26	B1470053000	WALKING FOOT				1
27	B1470562B00	WALKING FOOT	SPECIAL ORDER PART FOR LU-56- 2N, LU-563N(WITH TEECH)			1
28	B1470053C00	WALKING FOOT (C)	SPECIAL ORDER PART FOR LU-56- 2N, LU-563N(FOR LIGHT WEIGHT MATERIALS)			1
29	SS6110710TP	SCREW 11/64-40 L= 6.5				1
30	B1420563000	NEEDLE BAR FRAME				1
31	B1421051000	NEEDLE BAR FRAME TAPER STUD				1
32	SS8151150SP	SCREW 15/64-28 L=10.5				1
33	B14110530B0	NEEDLE BAR CONNECTION ASM				1
34	SS7090910SP	SCREW 9/64-40 L= 8.5		*		1
35	B1412051000	FELT		*		1
36	B1423051000	NEEDLE BAR FRAME GUIDE				1
37	WP0480856SP	WASHER 4.8X8.4X0.8				1
38	SS9111010SP	SCREW 11/64-40 L=9.5				1
39	B1401053000	NEEDLE BAR				1
40	MDI300B2300	NEEDLE DIX3 #23				1
41	MC351501600	NEEDLE	SPECIAL ORDER PART(FOR JE)			1
42	10308609	THREAD GUARD				1
43	SS7080510TP	SCREW 1/8-44 L=4.5				1
44	B1414232000	SQUARE BLOCK				1

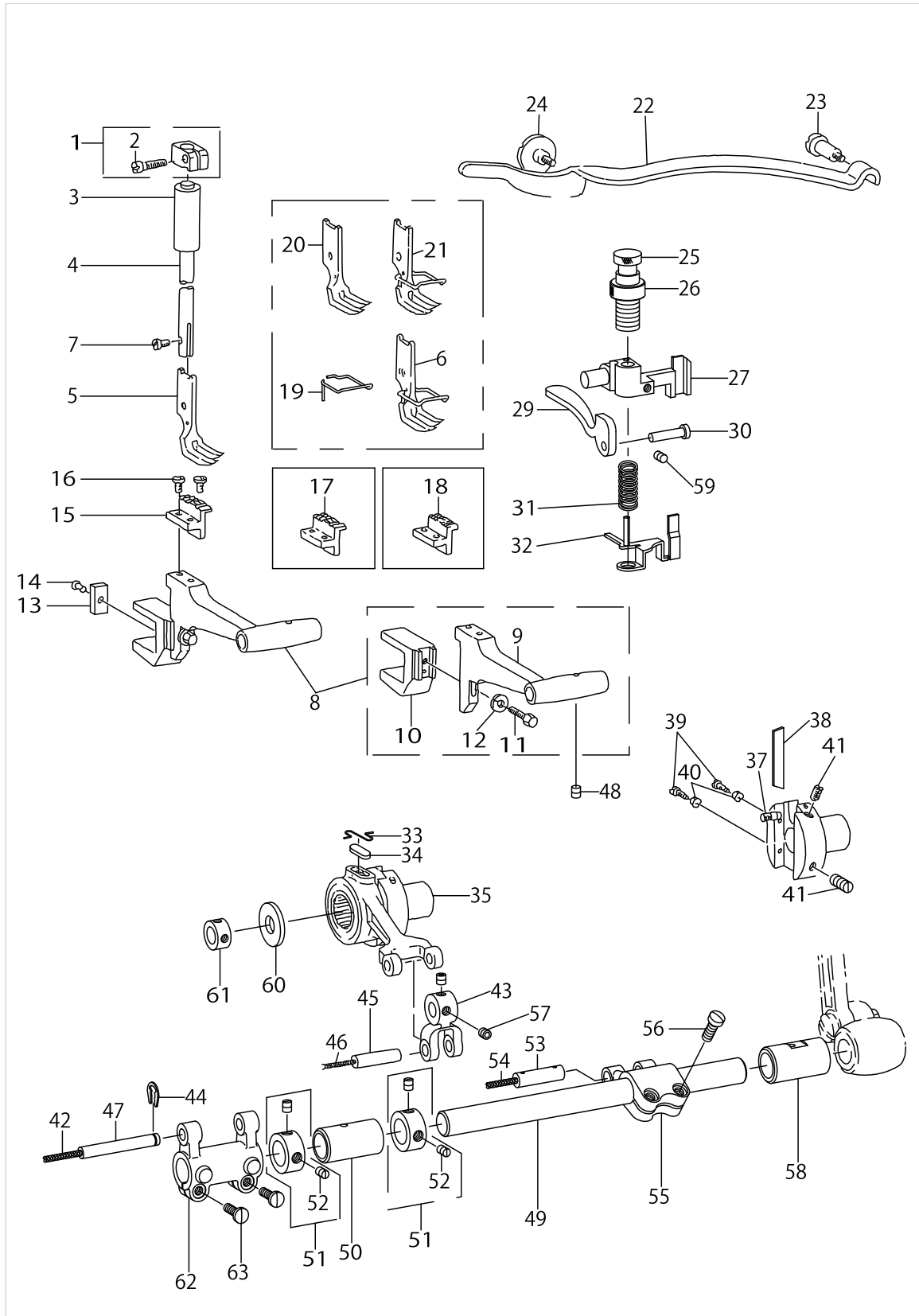
NEEDLE BAR & WALKING FOOT COMPONENTS



NEEDLE BAR & WALKING FOOT COMPONENTS

No.	Parts No.	Parts name	Remarks	Level	Cons	Qty
45	B14380510A0	OIL WICK ASM.				1
46	B1437051000	OIL WICK RETAINER				1
47	B14285630B0	ROCK SHAFT FRONT CRANK ASM.				1
48	B14310510A0	ROCK SHAFT REAR CRANK ASM.				1
49	SS6151440SP	SCREW 15/64-28 L=14		*		1
50	SD0790801SP	HINGE SCREW D=7.94 H=8				1
51	NS6160520SP	NUT 1/4-24				1
52	B14340510A0	NEEDLE BAR FRAME ROD ASM.				1
53	CQ202000000	OIL WICK		*		0.1
54	SD095080ASP	HINGE SCREW ASM.				1
55	CQ202000000	OIL WICK		*		0.1
56	NS6700420SP	NUT 5/16-24				1
57	B14350510A0	DRIVING ROD CRANK				1
58	SS6151920SP	SCREW 15/64-28 L=19.0		*		1
59	D1462241E00	CONNECTING PIN ROLLER				1
60	D1463241E00	PRESSER BAR BRACKET GUIDE				1
61	SS7621040SP	SCREW 3/16-32 L= 9.5				2
62	B1502563000	GUIDE PLATE				1
63	B1410771000	STUD				1
64	CQ202000000	OIL WICK				0.1
65	B1208019000	WASHER				1
66	B1421563000	NEEDLE BAR FRAME GUIDE PLATE				1
67	SM6050802TP	SCREW M5X0.8 L=8				1
68	SS7151120SP	SCREW 15/64-28 L=11				2
69	B1414555000	SLIDE BLOCK				1
70	SS7110510SP	SCREW 11/64-40 L=5				1
71	10509701	FELT				1

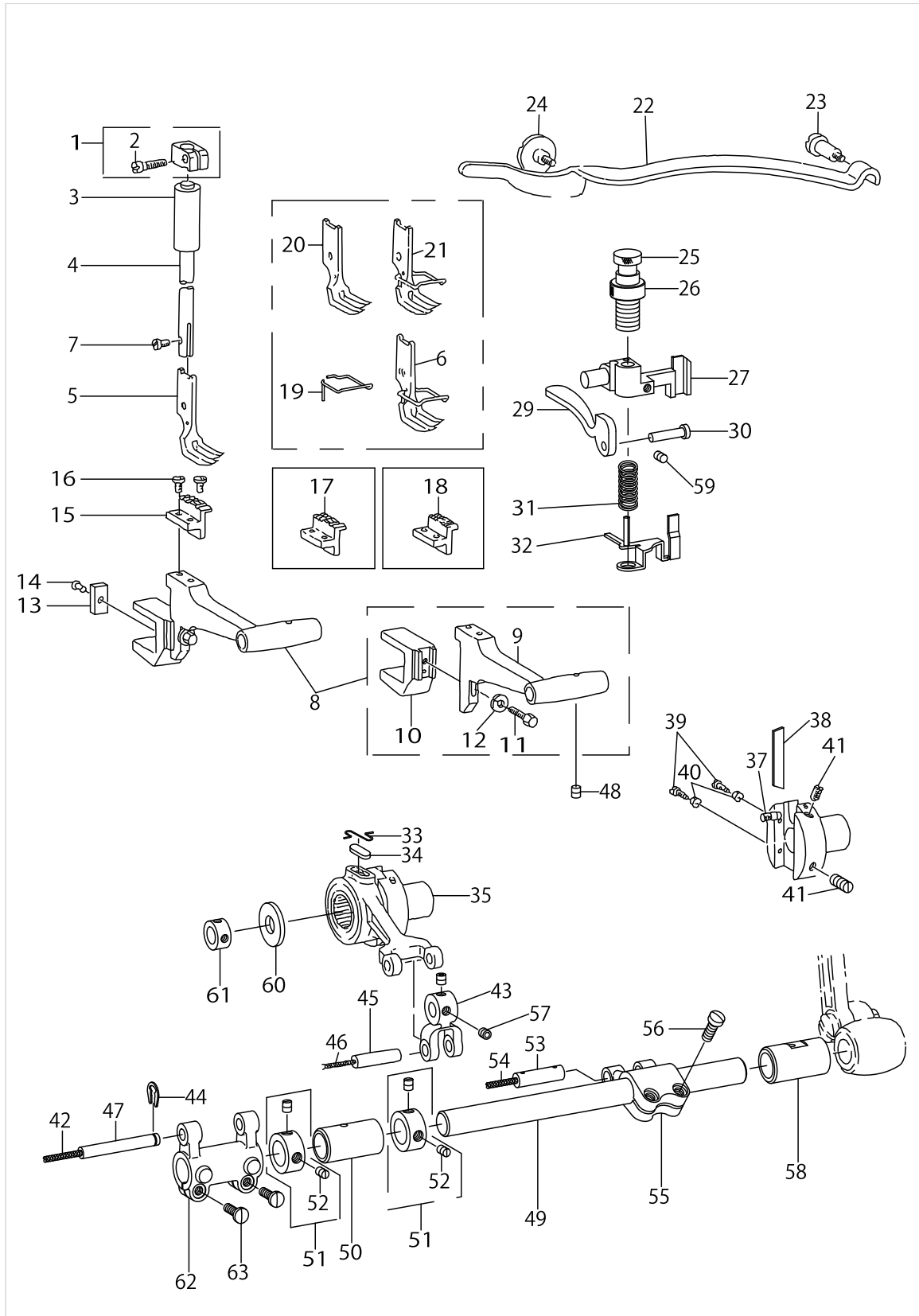
PRESSER BAR & FEED ROCK SHAFT COMPONENTS



PRESSER BAR & FEED ROCK SHAFT COMPONENTS

No.	Parts No.	Parts name	Remarks	Level	Cons	Qty
1	B15075620A0	PRESSER BAR GUIDE BRACKET ASM.				1
2	SS7091310SP	SCREW 9/64-40 L=13.0		*		1
3	B1510155000	PRESSER BAR LOWER BUSHING				1
4	B1501241H00	PRESSER BAR				1
5	B1525053000	PRESSER FOOT				1
6	B15250530A0	PRESSER FOOT ASM.	SPECIAL ORDER PART FOR LU-562N, LU-563N			1
7	SS6090910TP	SCREW 9/64-40 L=9				1
8	B16025620A0	FEED BASE (ASM.)				1
9	B1602562000	FEED BASE		*		1
10	B1604051000	FEED BAR SLIDE FORK		*		1
11	SS9151440CP	SCREW 15/64-28 L=14		*		1
12	WP0621016SD	WASHER 6.2X13X1		*		1
13	B1605051000	OIL SUPPLY FELT				1
14	SS5080710SP	SCREW 1/8-44 L= 6.5				1
15	B1613563000	FEED DOG	FOR LU-562N			1
16	B1611055000	SCREW				2
17	B1613563000	FEED DOG	FOR LU-563N			1
18	B1613563B00	FEED DOG	SPECIAL ORDER PART FOR LU-56- 2N, LU-563N(FOR LIGHT WEIGHT MATERIALS)			1
19	10337905	FINGER GUARD	SPECIAL ORDER PART FOR LU-562N, LU-563N			1
20	B1525562B00	PRESSER FOOT	SPECIAL ORDER PART FOR LU-56- 2N, LU-563N(WITH TEECH)			1
21	B1525562BA0	PRESSER FOOT ASM.	SPECIAL ORDER PART FOR LU-562N, LU-563N			1
22	B1505053000	ADJUSTING PLATE SPRING				1
23	SD0801601SP	HINGE SCREW D= 8 H=16				1
24	SD0800481SP	HINGE SCREW D= 8 H= 4.9				1
25	B1509012000	PRESSER SPRING REGULATOR				1
26	B1511555000	NUT 1/2-28				1
27	B1460245000	PRESSER LIFTING LEVER BASE				1
28	SS7111310SP	SCREW 11/64-40 L=12.8				1
29	B1512141H00	HAND LIFTER				1
30	B1513141H00	HAND LIFTER SHAFT				1
31	B1462053000	THREAD RELEASE SPRING				1
32	B14602460A0	THREAD RELEASE GUIDE ASM.				1
33	B1213012000	FELT RETAINER				1
34	B1702012000	OIL FELT				1
35	B16205620C0	ADJUSTING ROD ASM.				1
36	B1623057000	FEED ADJUSTING SCREW				1
37	B1623563000A	FEED ADJUSTING SCREW		*		1
38	B1622057000	FRICTION PLATE		*		1
39	SS6080210SP	SCREW 1/8-44 L=2		*		2
40	NS6080210SP	NUT 1/8-44		*		2
41	SS8151550SP	SCREW 15/64-28 L=15				1
42	CQ202000000	OIL WICK				0.2
43	B1647563000	FEED REGULATING FORK LINK				1

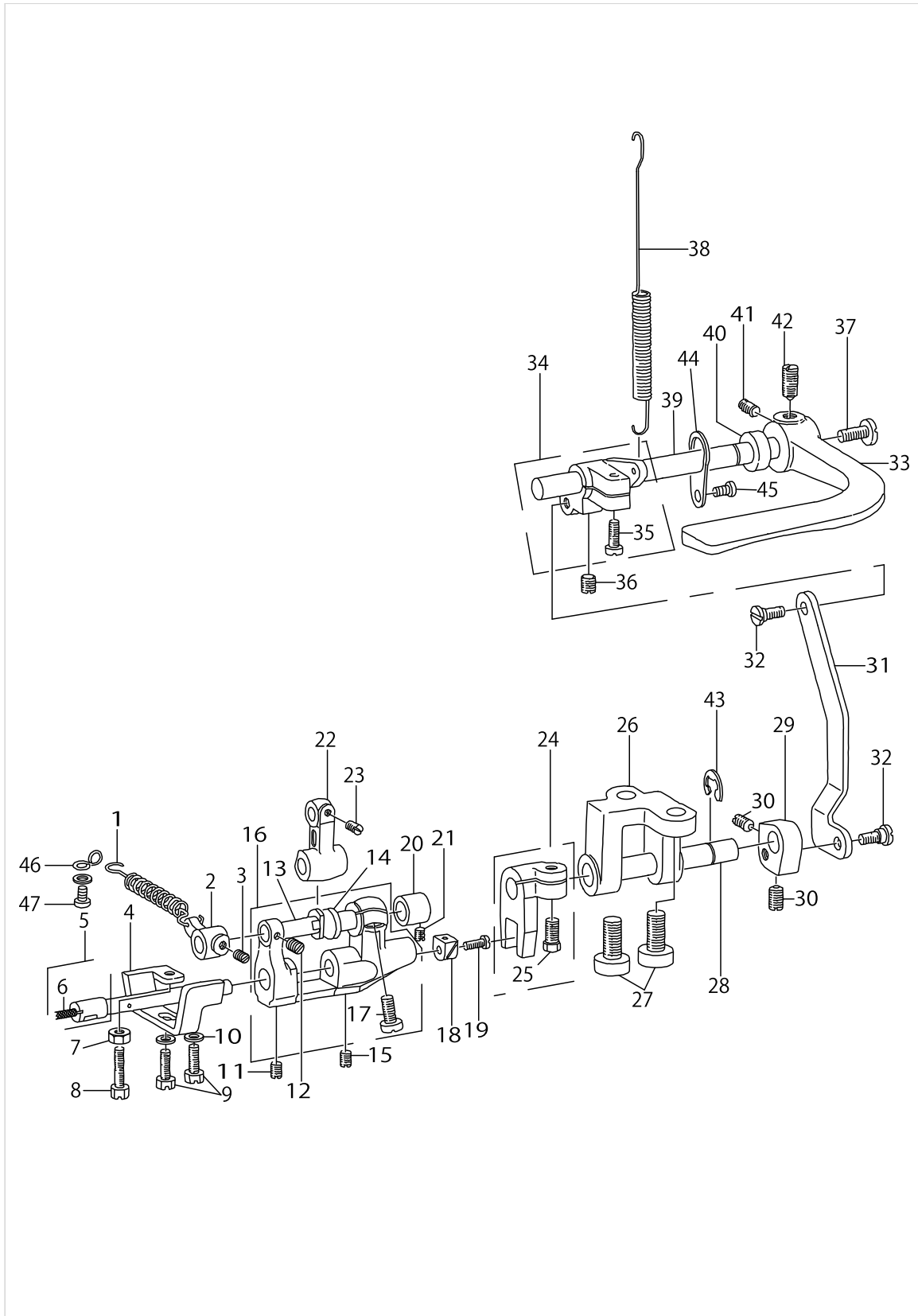
PRESSER BAR & FEED ROCK SHAFT COMPONENTS



PRESSER BAR & FEED ROCK SHAFT COMPONENTS

No.	Parts No.	Parts name	Remarks	Level	Cons	Qty
44	RE0500711KP	SNAP RING 5				1
45	B16465620A0	FEED REGULATING LINK PIN ASM.				1
46	CQ202000000	OIL WICK		*		0.2
47	B1604012000A	FEED BAR SHAFT				1
48	SS8620610TP	SCREW 3/16-32 L=6				2
49	B1601521000	FEED ROCK SHAFT				1
50	B1607563000	FEED ROCK SHAFT BUSHING,FRONT				1
51	CS1401010SC	THRUST COLLAR ASM. D=14 W=10				2
52	SS8150410SP	SCREW 15/64-28 L=4		*		4
53	B1648563000	CONNECTING PIN				1
54	CQ202000000	OIL WICK		*		0.1
55	B1616563000	FEED ROCK SHAFT CRANK				1
56	SS7111410SP	SCREW 11/64-40 L=14		*		2
57	SM8050502TP	SCREW M5 L=5				2
58	B1609563000	FEED ROCK SHAFT BUSHING,REAR				1
59	SS8110750SP	SCREW 11/64-40 L= 6.5				1
60	WP0982616SP	WASHER 9.8X24.0X2.6				1
61	CS0950810SH	THRUST COLLAR ASM. D=9.5 W=8				1
62	B1603521000	FEED BAR CRANK				1
63	SS7111410SP	SCREW 11/64-40 L=14				1

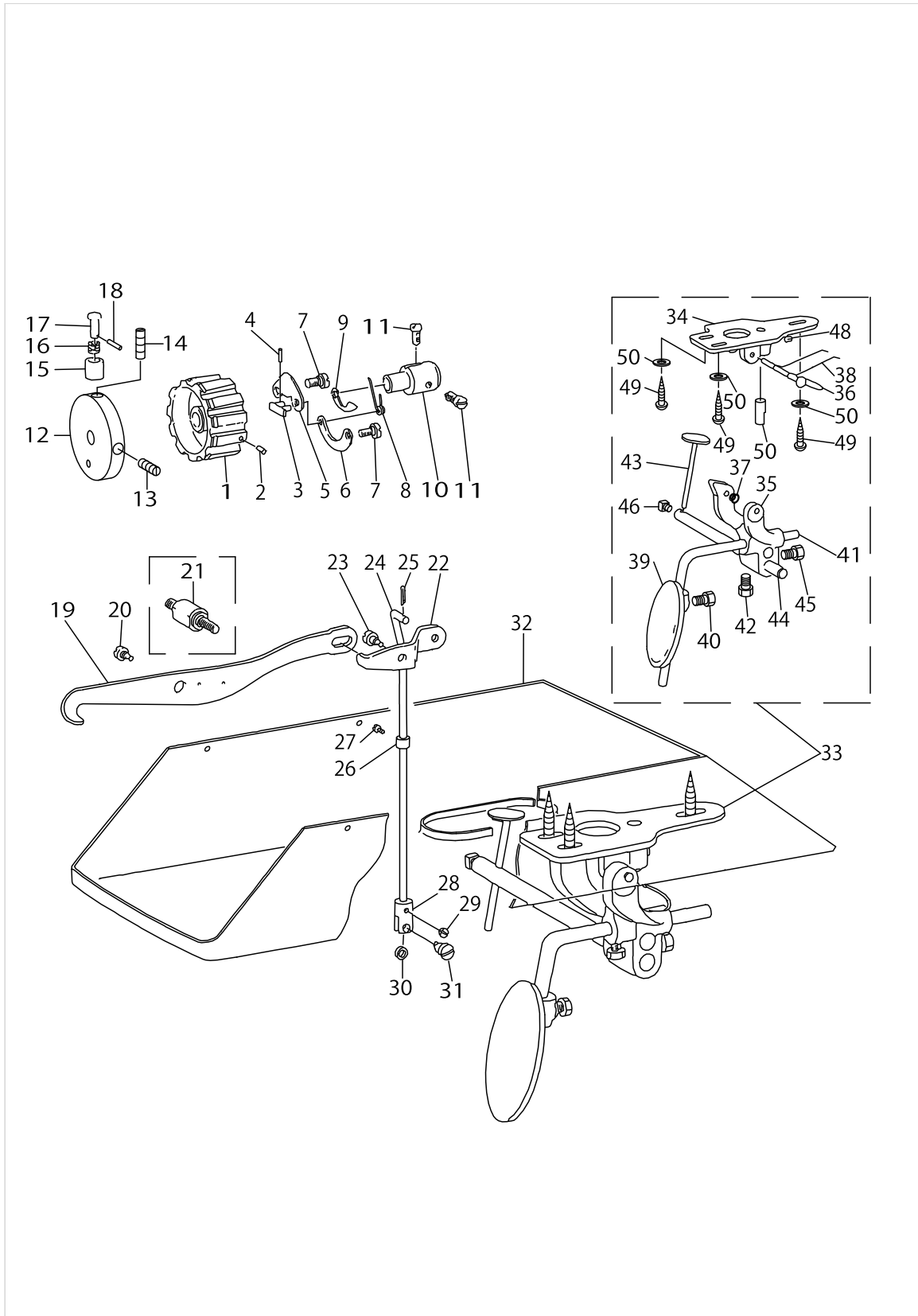
REVERSE FEED CONTROL LEVER COMPONENTS



REVERSE FEED CONTROL LEVER COMPONENTS

No.	Parts No.	Parts name	Remarks	Level	Cons	Qty
1	B2007232000	TENSION SPRING				1
2	B1647122000	SUSPENSION BRACKET A				1
3	SS8150710SP	SCREW 15/64-28 L=7				1
4	B1667521000	FEED LIMITING PLATE				1
5	B16445620A0	FEED REGULATING PIN ASM.				1
6	CQ202000000	OIL WICK		*		0.1
7	NS6110530SP	NUT 11/64-40				1
8	SS9111820SP	SCREW 11/64-40 L=18				1
9	SS9121340CP	SCREW 3/16-28 L=13				2
10	WP0480856SP	WASHER 4.8X8.4X0.8				2
11	SS8110750SP	SCREW 11/64-40 L= 6.5				1
12	SS8110520TP	SCREW 11/64-40 L= 4.5				1
13	B1642562000	FEED REGULATING ARM PIN				1
14	B1641562000	FEED REGULATING ARM SHAFT				1
15	SS8110750SP	SCREW 11/64-40 L= 6.5				1
16	B16405620A0	FEED REGULATING ARM ASM.				1
17	SS7151210SP	SCREW 15/64-28 L=12		*		1
18	B1414155000	NEEDLE BAR CONNECTING SLIDE BL				1
19	SS7090540TP	SCREW 9/64-40 L=5				1
20	11834108	BUSHING, REAR				1
21	SS8110510SP	SCREW 11/64-40 L=5				1
22	B1645562000	FEED REGULATING LINK				1
23	SS8110750SP	SCREW 11/64-40 L= 6.5				1
24	B16515620A0	FEED CHANGING FORK ASM.				1
25	SS9151630CP	SCREW 15/64-28 L=15.5		*		1
26	B1652563000	FEED CHANGING SHAFT BASE A				1
27	SM6081542CP	SCREW M8X1.25 L=15				2
28	B1653563000	FEED CHANGING SHAFT A				1
29	B1654563000	FEED CHANGING ARM				1
30	SS8151280SP	SCREW 15/64-28 L=12.0		*		1
31	B1657521000	FEED REGULATING ROD				1
32	SD0640323TP	HINGE SCREW D= 6.35 H= 3.2				2
33	B1624555000	REVERSE FEED CONTROL LEVER				1
34	B16585210A0	TENSION SPRING REGULATING ARM				1
35	SS7121410SP	SCREW 3/16-28 L=14		*		1
36	SS8151280SP	SCREW 15/64-28 L=12.0				1
37	SS7620750SP	SCREW 3/16-32 L= 6.5				2
38	B1666521000	TENSION SPRING B				1
39	B1660563000	REVERSE FEED LEVER SHAFT				1
40	B1662562000	COLLAR				1
41	SS8661040TP	SCREW 1/4-40 L=10				1
42	SS8660810TP	SCREW 1/4-40 L=8				1
43	RE0800000K0	E-SHAPED SNAP RING (8MM)				1
44	B1661563000	THRUST PLATE				1
45	SS7151210SP	SCREW 15/64-28 L=12				1
46	B1659562000	TENSION SPRING SUSPENSION B				1
47	SS7090710SP	SCREW 9/64-40 L= 6.8				1

SAFETY CLUTCH MECHANISM, KNEE LIFTER COMPONENTS



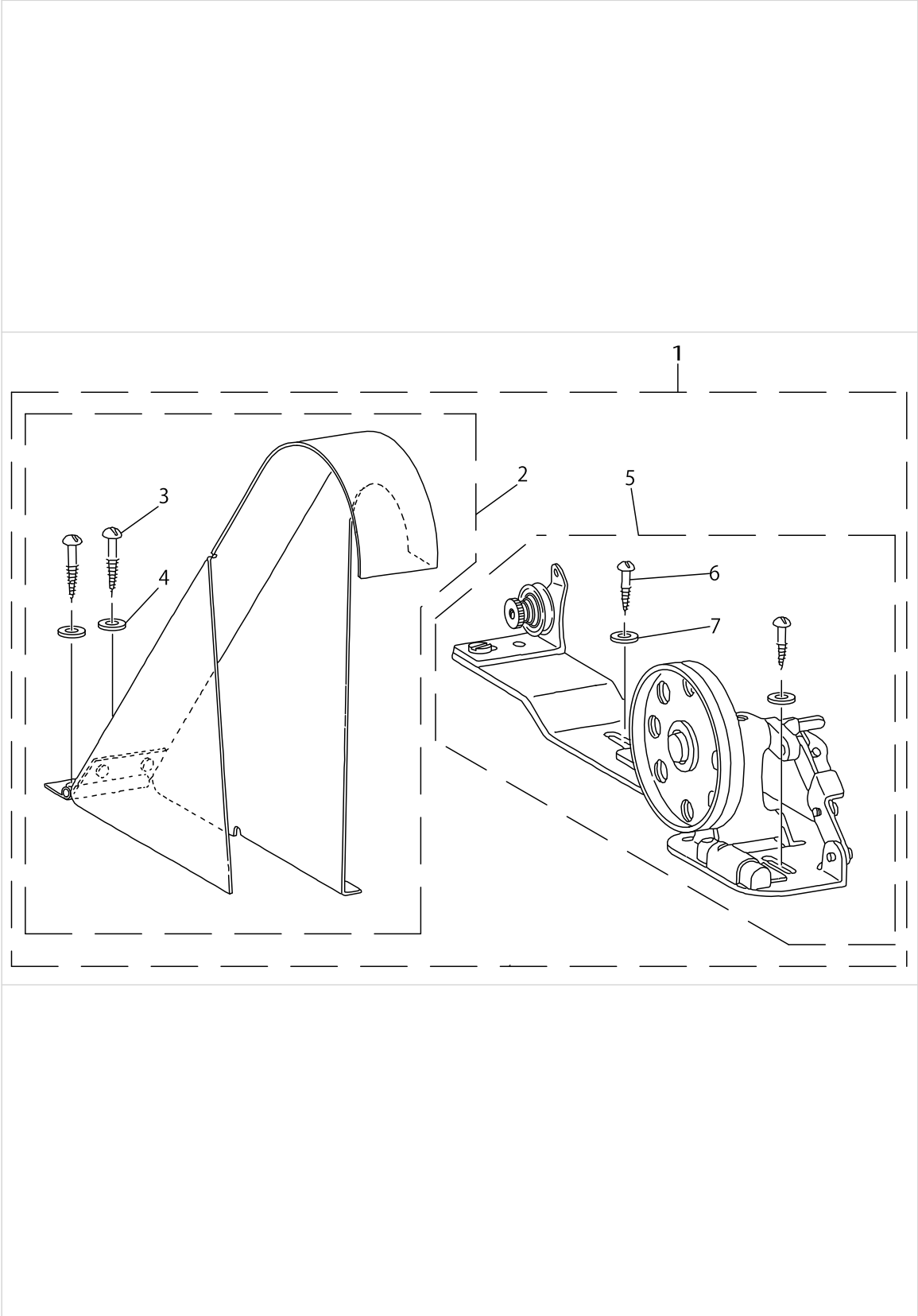
SAFETY CLUTCH MECHANISM,KNEE LIFTER COMPONENTS

No.	Parts No.	Parts name	Remarks	Level	Cons	Qty
1	21223706	SPROCKET WHEEL,LOWER				1
2	SS8090410SP	SCREW 9/64-40 L= 3.5				1
3	B1310055000	SAFETY CLUTCH SMALL LINK				1
4	B1314055000	SAFETY CLUTCH SMALL LINK PIN				1
5	B1307055000	SAFETY CLUTCH HOOK				1
6	B1305055000A	SAFETY CLUTCH SPRING				1
7	SD0640322TP	HINGE SCREW D= 6.35 H= 3.2				2
8	B1309055000	COUNTER-HOOK SPRING				1
9	B1308055000	SAFETY CLUTCH COUNTER-HOOK				1
10	10503605	SAFETY BASE				1
11	SS7661110TH	SCREW 1/4-40 L=11				2
12	B1314563000	SAFETY PLATE				1
13	SS8152030SP	SCREW 15/64-28 L=20				1
14	SS8152080SP	SCREW 15/64-28 L=19.5				1
15	B1313055000	SAFETY CLUTCH KNOB SLEEVE				1
16	B1639051000	SPRING				1
17	B1312055000	SAFETY CLUTCH KNOB				1
18	PS0200102KH	SPRING PIN 2.0 X 10				1
19	B3409053000	KNEE LIFTER FRONT LEVER				1
20	SD0790361SP	HINGE SCREW D= 7.94 H= 3.6				1
21	B3418562000	LUMP SET SCREW	SPECIAL ORDER PART FOR LU-562N ,LU-563N			1
22	B3410051000	KNEE LIFTER REAR LEVER				1
23	SD0790361SP	HINGE SCREW D= 7.94 H= 3.6				1
24	B3413053000	REAR LIFTING BAR				1
25	PD02311000B	SPLIT PIN 2.3X11				1
26	CS0510713SC	THRUST COLLAR D=5.1 W=7				1
27	SS7110540SP	SCREW 11/64-40 L=5				1
28	B3416051000	REAR LIFTING BAR ROLLER HOLDER				1
29	SS7110510SP	SCREW 11/64-40 L=5				1
30	B3417051000	REAR LIFTING BAR ROLLER				1
31	SD0550801SP	HINGE SCREW D= 5.50 H= 8.0				1
32	B8217053000	DRIP PAN				1
33	B34010270B0	KNEE LIFTER ASM.				1
34	B3401027000	KNEE DRIVING SHAFT MOUNTING BA		*		1
35	B3402027000	KNEE DRIVING BRACKET		*		1
36	B3408027000	KNEE DRIVING SHAFT		*		1
37	B3404027000	SPRING		*		1
38	B3409027000	KNEE DRIVING SPRING		*		1
39	B3407027000	KNEE PRESS PLATE		*		1
40	SM9081620SE	SCREW M8 L=16		*		1
41	B3403027000	KNEE PRESS PLATE ROD		*		1
42	SS9201813CP	SCREW 5/16-18 L=18		*		1
43	B34050270A0	KNEE KNEE LIFT PLATE ASM.		*		1
44	B3410027000	KNEE PRESS SHAFT		*		1
45	SS9201813CP	SCREW 5/16-18 L=18		*		1
46	B3406027000	BOLT		*		1

SAFETY CLUTCH MECHANISM,KNEE LIFTER COMPONENTS

No.	Parts No.	Parts name	Remarks	Level	Cons	Qty
47	B3411027000	STOPPER PIN		*		1
48	SS8150710SP	SCREW 15/64-28 L=7		*		1
49	SK3623200SC	WOOD SCREW D=6.2 L=32		*		3
50	WP0850002SC	WASHER 8.5X18X1.6		*		3

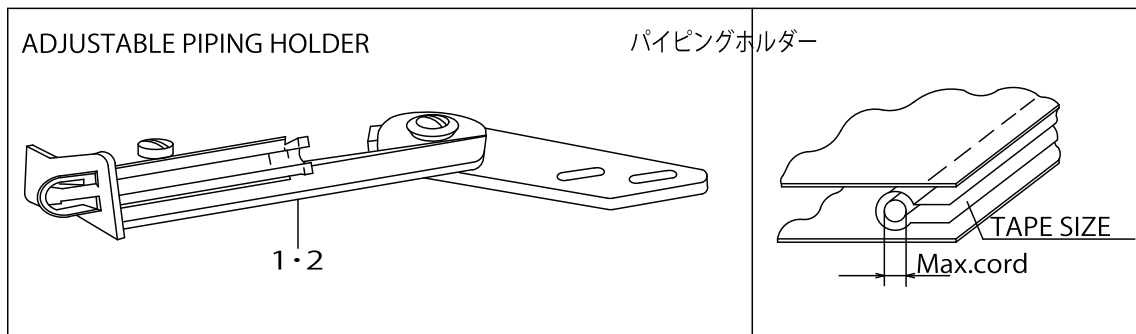
BELT COVER COMPONENTS(SPECIAL ORDER PARTS)



BELT COVER COMPONENTS(SPECIAL ORDER PARTS)

No.	Parts No.	Parts name	Remarks	Level	Cons	Qty
1	B82305620C0	BELT COVER ASM. (BOBBIN WINDER				1
2	B82305620B0	BELT COVER ASM.		*		1
3	SK3513200SC	WOOD SCREW D=5.1 L=32		*		2
4	WP0501016SC	WASHER 5X10.5X1		*		2
5	B32015620B0	THREAD WINDER ASM.		*		1
6	SK3482500SC	WOOD SCREW D=4.8 L=25		*		2
7	WP0501016SC	WASHER 5X10.5X1		*		2

ATTACHMENTS COMPONENTS


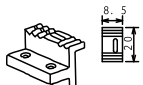





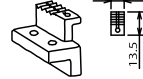
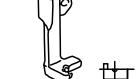

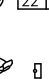

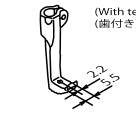
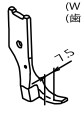

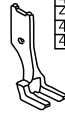
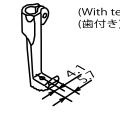

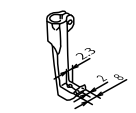



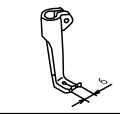
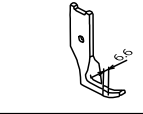
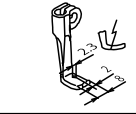





MAX CORD	TAPE SIZE	NO	PART NO.	DESCRIPTION	品名
6~10 mm	FREE	1	MAYBL6B10A0	ADJUSTABLE PIPING HOLDER	パイピングホルダー
2~5 mm	FREE	2	MAYBL6B20A0	ADJUSTABLE PIPING HOLDER	パイピングホルダー

ATTACHMENTS COMPONENTS

No.	Parts No.	Parts name	Remarks	Level	Cons	Qty
1	MAYBL6B10A0	ADJUSTABLE PIPING HOLDER				1
2	MAYBL6B20A0	ADJUSTABLE PIPING HOLDER				1

OPTION PARTS COMPONENTS

Throat plate 針板	Feed dog 送り歯	Walking foot 中足	Presser foot 外足	Walking foot 中足	Presser foot 外足
NO 1 B1109562A00  パイピング用 FOR PIPING	NO 3 B1613562A00  8 5	NO 9 MAC0930Z000 	NO 14 MAC0930B0A0  (With teeth) (歯付き)	NO 18 B1478245000  (Commonly used for every size of presser foot) (各サイズ共用)	NO 30 (5/32)B153024500C 31 (3/16)B153024500D 32 (1/4)B153024500F 33 (5/16)B153024500H 34 (3/8)B153024500K 
NO 2 B1109563C00  テープ付け用 FOR BINDING	NO 4 B1613563C00  6.4 13.5	NO 10 MAN10452000 	NO 15 B152924500A  テープ付け用 FOR BINDING	NO 19 (5/32)B1478245000 20 (3/16)B147924500D 21 (1/4)B147924500F 22 (5/16)B147924500H 	NO 35 (5/32)B153124500C 36 (3/16)B153124500D 37 (1/4)B153124500F 38 (5/16)B153124500H 
		NO 11 B147624500A  (With teeth) (歯付き)	NO 15 B152924500A  (With teeth) (歯付き)	NO 23 (5/32)B147424500C 24 (3/16)B147424500D 25 (1/4)B147424500F 26 (5/16)B147424500H 27 (3/8)B147424500K 	NO 39 (5/32)B152724500C 40 (3/16)B152724500D 41 (1/4)B152724500F 42 (5/16)B152724500H 43 (3/8)B152724500K 
Walking foot 中足		Presser foot 外足			
NO 5 B147624500C  (With teeth) (歯付き)	NO 7 B15292450AC  (With teeth) (歯付き)	NO 12 10325306 	NO 16 10325157 	NO 28 B147624500D  (With teeth) (歯付き)	NO 44 B15292450AD  (With teeth) (歯付き)
NO 6 B1470245000 	NO 8 B15242450A0  6.5	NO 13 10326205 	NO 17 10326304 	NO 29 10338309  (With teeth) (歯付き)	NO 45 B15255635A0  (With teeth) (歯付き)

OPTION PARTS COMPONENTS

No.	Parts No.	Parts name	Remarks	Level	Cons	Qty
1	B1109563C00	THROAT PLATE				1
2	B1109563C00	THROAT PLATE				1
3	B1613562A00	FEED (WIDE)				1
4	B1613563C00	FEED DOG C				1
5	B147624500C	INNER PRESSER				1
6	B1470245000	WALKING FOOT				1
7	B15292450AC	SIDE PRESSER FOOT ASM.				1
8	B15242450A0	PRESSER FOOT ASM.				1
9	MAQ09307000	WALKING FOOT				1
10	MAN10452000	UPPER FEED FOOT				1
11	B147624500A	INNER PRESSER				1
12	10325306	WALKING FOOT				1
13	10326205	UPPER FEED FOOT				1
14	MAQ093080A0	PRESSER FOOT ASM.				1
15	B152924500A	CENTER PRESSER FOOT 3/16				1
16	10325157	PRESSER FOOT ASM.				1
17	10326304	PRESSER FOOT				1
18	B1478245000	INNER PRESSER				1
19	B1478245000	INNER PRESSER				1
20	B147924500D	CENTER PRESSER FOOT 3/16				1
21	B147924500F	BACK CUT INNER PRESSER 1/4				1
22	B147924500H	BACK CUT INNER PRESSER 5/16				1
23	B147424500C	INNER PRESSER 5/32				1
24	B147424500D	INNER PRESSER (BLADE) 3/16				1
25	B147424500F	WALKING FOOT, F				1
26	B147424500H	INNER PRESSER 5/16				1
27	B147424500K	CENTER PRESSER FOOT 3/8				1
28	B147624500D	WALKING FOOT, D				1
29	10338309	UPPER FEED FOOT				1
30	B153024500C	OUTER PRESSER FOOT 5/32				1
31	B153024500D	OUTER PRESSER FOOT 3/16				1
32	B153024500F	OUTER PRESSER FOOT 1/4				1
33	B153024500H	OUTER PRESSER FOOT 5/16				1
34	B153024500K	OUTER PRESSER FOOT 3/8				1
35	B153124500C	BACK CUT OUTER PRESSER 5/32				1
36	B153124500D	OUTER PRESSER FOOT 3/16				1
37	B153124500F	BACK CUT OUTER PRESSER 1/4				1
38	B153124500H	BACK CUT OUTER PRESSER 5/16				1
39	B152724500C	OUTER PRESSER 5/32				1
40	B152724500D	OUTER PRESSER (FOR BLADE) 3/16				1
41	B152724500F	GROOVED FOOT				1
42	B152724500H	OUTER PRESSER 5/16				1
43	B152724500K	OUTER PRESSER FOOT 3/8				1
44	B15292450AD	OUTER PRESSER ASM.				1
45	B1525563SA0	PRESSER FOOT ASM.				1

HOW TO MAKE USE OF THIS PARTS LIST

1.As to "#01" and "#02" refer to the "Note" given at the bottom of the respective pages.

2.Codes on the "Qty" column

- Each numeral indicates the number of parts required.
- "0.1" and "2.5" indicate the length (in meters) of the respective parts.

3.Parentheses mean that the corresponding part is a subpart that constructs an assembly part.

4.Dotted lines on the Figures indicate assembly parts.

1. リストページの# 0 1、# 0 2の印は、ページ下の"注記"の説明を参照下さい。
2. 数量欄の数字は、個数を表し、0. 1、2. 5等の数値は、長さ（単位メートル）を表します。
3. 数量欄の（ ）は、組部品を構成している子部品であることを意味します。
4. イラストページの-----枠は、組構成であることを意味します。

NUMERICAL INDEX OF PARTS

PART NO	PAGE	REF NO.	PART NO	PAGE	REF NO.	PART NO	PAGE	REF NO.
10179307	10	39	B1227053000	8	48	B1470053000	14	26
10308609	14	42	B1230051000	6	28	B1470053C00	14	28
10320208	4	58	B1301051000	6	41	B1470245000	32	6
10325157	32	16	B1302051000	6	38	B1470562B00	14	27
10325306	32	12	B1305055000A	24	6	B147424500C	32	23
10326205	32	13	B1307055000	24	5	B147424500D	32	24
10326304	32	17	B1308055000	24	9	B147424500F	32	25
10337905	18	19	B1309055000	24	8	B147424500H	32	26
10338309	32	29	B1310055000	24	3	B147424500K	32	27
10503605	24	10	B1312055000	24	17	B147624500A	32	11
10509701	16	71	B1313055000	24	15	B147624500C	32	5
11834108	22	20	B1314055000	24	4	B147624500D	32	28
21223706	24	1	B1314563000	24	12	B1478245000	32	19
B1103051000	2	8	B1401053000	14	39	B147924500D	32	20
B1109053000A	4	48	B1408051000	6	16	B147924500F	32	21
B1109562000	2	47	B1410771000	16	63	B147924500H	32	22
B1109563C00	32	2	B14110530B0	14	33	B1501241H00	18	4
B1111563000	4	50	B1412051000	14	35	B1502563000	16	62
B1112053000A	2	45	B1414155000	22	18	B1505053000	18	22
B1113053000A	2	46	B1414232000	14	44	B15075620A0	18	1
B1114012000	2	21	B1414555000	16	69	B1509012000	18	25
B1128522000	2	16	B1420563000	14	30	B1509051000	2	20
B1129051000	2	5	B1421051000	14	31	B1510155000	18	3
B1129563000	2	6	B1421563000	16	66	B1511555000	18	26
B1130051000	2	9	B1423051000	14	36	B1512141H00	18	29
B1131562000	2	11	B14285630B0	16	47	B1513141H00	18	30
B1132562000	2	44	B14310510A0	16	48	B15242450A0	32	8
B1140051000	2	3	B14340510A0	16	52	B1525053000	18	5
B1150563000	2	22	B14350510A0	16	57	B15250530A0	18	6
B1152051000	2	23	B1437051000	16	46	B1525562B00	18	20
B1155053000	2	19	B14380510A0	16	45	B1525562BA0	18	21
B1156115000	2	43	B1455053000	14	10	B1525563SA0	32	45
B1158563000	6	8	B1456053000	14	9	B152724500C	32	39
B12020510A0	6	27	B1458241H00	14	6	B152724500D	32	40
B1203051000	6	31	B1460245000	18	27	B152724500F	32	41
B1206051000	6	19	B14602460A0	18	32	B152724500H	32	42
B1208019000	16	65	B1461245000	14	5	B152724500K	32	43
B12100510A0	6	17	B1462053000	18	31	B152924500A	32	15
B1213012000	14	18	B1465053000	14	4	B15292450AC	32	7
B1213012000	18	33	B1466563000	14	25	B15292450AD	32	44
B1214019000	6	37	B146705300A	14	23	B153024500C	32	30
B1216051000	6	43	B146705300B	14	21	B153024500D	32	31
B12160510A0	6	42	B146752100C	14	22	B153024500F	32	32
B12170510A0	6	44	B1467563000	14	2	B153024500H	32	33
B12205620A0	6	35	B1468053000	14	24	B153024500K	32	34

NUMERICAL INDEX OF PARTS

PART NO	PAGE	REF NO.	PART NO	PAGE	REF NO.	PART NO	PAGE	REF NO.
B153124500C	32	35	B1659562000	22	46	B3008141H00	14	7
B153124500D	32	36	B1660563000	22	39	B3101053000	2	1
B153124500F	32	37	B1661563000	22	44	B31210530A0	2	25
B153124500H	32	38	B1662562000	22	40	B3122053000	2	26
B1601521000	20	49	B1666521000	22	38	B3123051000	2	40
B1602562000	18	9	B1667521000	22	4	B3124051000	2	31
B16025620A0	18	8	B1702012000	14	19	B31240510A0	2	30
B1603521000	20	62	B1702012000	18	34	B3125012000	2	36
B1604012000A	20	47	B1801563000	12	54	B3126051000	2	33
B1604051000	18	10	B18025630A0	10	28	B3127051000	2	29
B1605051000	18	13	B1804051000	10	43	B3128051000	2	39
B1607563000	20	50	B1804512000	12	56	B3129053000	2	35
B1609563000	20	58	B1807512000	12	53	B3132051000	2	34
B1611055000	18	16	B1811051000	10	15	B3134051000	2	27
B1613562A00	32	3	B1811563000	10	38	B31370510A0	2	37
B1613563000	18	17	B1814051000	10	6	B3138512000	2	13
B1613563B00	18	18	B1814563000	10	36	B32015620B0	28	5
B1613563C00	32	4	B1815051000	10	26	B3401027000	24	34
B1616563000	20	55	B18160510A0	10	20	B34010270B0	24	33
B16205620C0	18	35	B18170510A0	10	22	B3402027000	24	35
B1622057000	18	38	B1818051B00	10	25	B3403027000	24	41
B1623057000	18	36	B1820563000	10	5	B3404027000	24	37
B1623563000A	18	37	B18210510A0	10	12	B34050270A0	24	43
B1624055000	12	49	B1822051000	10	8	B3406027000	24	46
B1624555000	22	33	B1822563000	10	37	B3407027000	24	39
B16250570A0	12	50	B18230510A0	10	1	B3408027000	24	36
B1626562000	10	45	B1824051000	10	9	B3409027000	24	38
B1636055000	12	46	B1824563000	10	35	B3409053000	24	19
B1639051000	12	47	B18300550A0	10	4	B3410027000	24	44
B1639051000	24	16	B18305630A0	10	33	B3410051000	24	22
B16405620A0	22	16	B1830563BA0	10	42	B3411027000	26	47
B1641562000	22	14	B1838563000	4	52	B3413053000	24	24
B1642562000	22	13	B1839563000	4	56	B3416051000	24	28
B16445620A0	22	5	B18400510A0	10	30	B3417051000	24	30
B1645562000	22	22	B1841563000	4	57	B3418562000	24	21
B16465620A0	20	45	B1843563000	10	40	B8217053000	24	32
B1647122000	22	2	B1844563000	4	53	B82305620B0	28	2
B1647563000	18	43	B1846563000	4	59	B82305620C0	28	1
B1648563000	20	53	B1905053000	6	2	B9117051000	10	3
B16515620A0	22	24	B19050530B0	6	1	B9117563000	10	32
B1652563000	22	26	B1905563000	6	11	CQ202000000	6	29
B1653563000	22	28	B19055630B0	6	10	CQ202000000	10	13
B1654563000	22	29	B19060510A0	6	12	CQ202000000	16	64
B1657521000	22	31	B19070510A0	6	14	CQ202000000	18	54
B16585210A0	22	34	B2007232000	22	1	CQ202000000	20	54

NUMERICAL INDEX OF PARTS

PART NO	PAGE	REF NO.	PART NO	PAGE	REF NO.	PART NO	PAGE	REF NO.
CQ202000000	22	6	SD0801601SP	18	23	SS7681750TP	6	40
CQ303000000	6	25	SD095080ASP	16	54	SS7701010SP	8	51
CS0510713SC	24	26	SK3482500SC	28	6	SS7762840SP	10	16
CS0950810SH	12	58	SK3513200SC	28	3	SS8090410SP	24	2
CS0950810SH	20	61	SK3623200SC	26	49	SS8110510SP	2	17
CS1401010SC	20	51	SM6050802TP	16	67	SS8110510SP	12	51
D1201055B00	6	24	SM6081542CP	22	27	SS8110510SP	22	21
D1450055BA0	6	32	SM8050502TP	20	57	SS8110520TP	22	12
D1453055B00	14	17	SM9081620SE	24	40	SS8110750SP	12	52
D1454055BA0	14	11	SS2090710SP	2	10	SS8110750SP	20	59
D1455055B00	14	13	SS2110920TP	4	49	SS8110750SP	22	23
D1456055B00	14	14	SS3090610SP	2	12	SS8111251SP	2	41
D1459241E00	14	1	SS4080610SP	2	38	SS8150410SP	20	52
D1462241E00	16	59	SS5080710SP	18	14	SS8150510TP	10	31
D1463241E00	16	60	SS6080210SP	18	39	SS8150710SP	6	45
MAN10452000	32	10	SS6090810SP	10	11	SS8150710SP	10	27
MAQ09307000	32	9	SS6090910TP	18	7	SS8150710SP	22	3
MAQ093080A0	32	14	SS6110710TP	14	29	SS8150710SP	26	48
MAYBL6B10A0	30	1-2	SS6151440SP	16	49	SS8150750SP	12	57
MAYBL6B20A0	30	1-2	SS6151780SP	14	20	SS8151150SP	6	47
MC351501600	14	41	SS6151920SP	16	58	SS8151150SP	10	7
MDI300B2300	14	40	SS6153040SP	10	19	SS8151150SP	14	32
NS6080210SP	18	40	SS7080510TP	14	43	SS8151230SP	6	36
NS6110420SP	10	41	SS7090520SP	2	14	SS8151230SP	10	34
NS6110530SP	14	16	SS7090540TP	22	19	SS8151280SP	22	36
NS6110530SP	22	7	SS7090610SP	2	2	SS8151550SP	10	44
NS6160520SP	16	51	SS7090710SP	22	47	SS8151550SP	18	41
NS6660430SP	14	8	SS7090910SP	14	34	SS8151780SP	8	50
NS6700420SP	16	56	SS7091310SP	18	2	SS8152030SP	8	49
PD02311000B	24	25	SS7110510SP	2	55	SS8152030SP	10	29
PS0200102KH	24	18	SS7110510SP	4	55	SS8152030SP	24	13
PS0200122K0	2	32	SS7110510SP	16	70	SS8152080SP	24	14
RE0500000K0	12	48	SS7110510SP	24	29	SS8620610TP	20	48
RE0500711KP	20	44	SS7110540SP	24	27	SS8660530TP	6	33
RE0800000K0	22	43	SS7110720SP	2	15	SS8660530TP	10	23
SB115000200	6	46	SS7110910SP	14	3	SS8660670SP	10	24
SB115000700	12	55	SS7111310SP	18	28	SS8660810TP	10	21
SD0470281SP	2	28	SS7111410SP	20	63	SS8660810TP	22	42
SD0550801SP	24	31	SS7121410SP	22	35	SS8661040TP	6	34
SD0630241SD	2	24	SS7150740SP	6	9	SS8661040TP	22	41
SD0640322TP	24	7	SS7151120SP	16	68	SS8680540SP	6	20
SD0640323TP	22	32	SS7151210SP	22	45	SS8680730SP	6	21
SD0790361SP	24	23	SS7620750SP	22	37	SS8681650TP	6	22
SD0790801SP	16	50	SS7621040SP	16	61	SS8681950SP	6	39
SD0800481SP	18	24	SS7661110TH	24	11	SS9111010SP	14	38

NUMERICAL INDEX OF PARTS

PART NO	PAGE	REF NO.
SS9111820SP	22	8
SS9121340CP	22	9
SS9151440CP	18	11
SS9151630CP	22	25
SS9161610SP	14	12
SS9201813CP	24	45
TA0500601M0	6	26
WP0371016SD	10	10
WP0480856SP	14	37
WP0480856SP	22	10
WP0482086SD	14	15
WP0501016SC	28	7
WP0621016SD	18	12
WP0753016SZ	10	17
WP0850002SC	26	50
WP0982616SP	20	60