

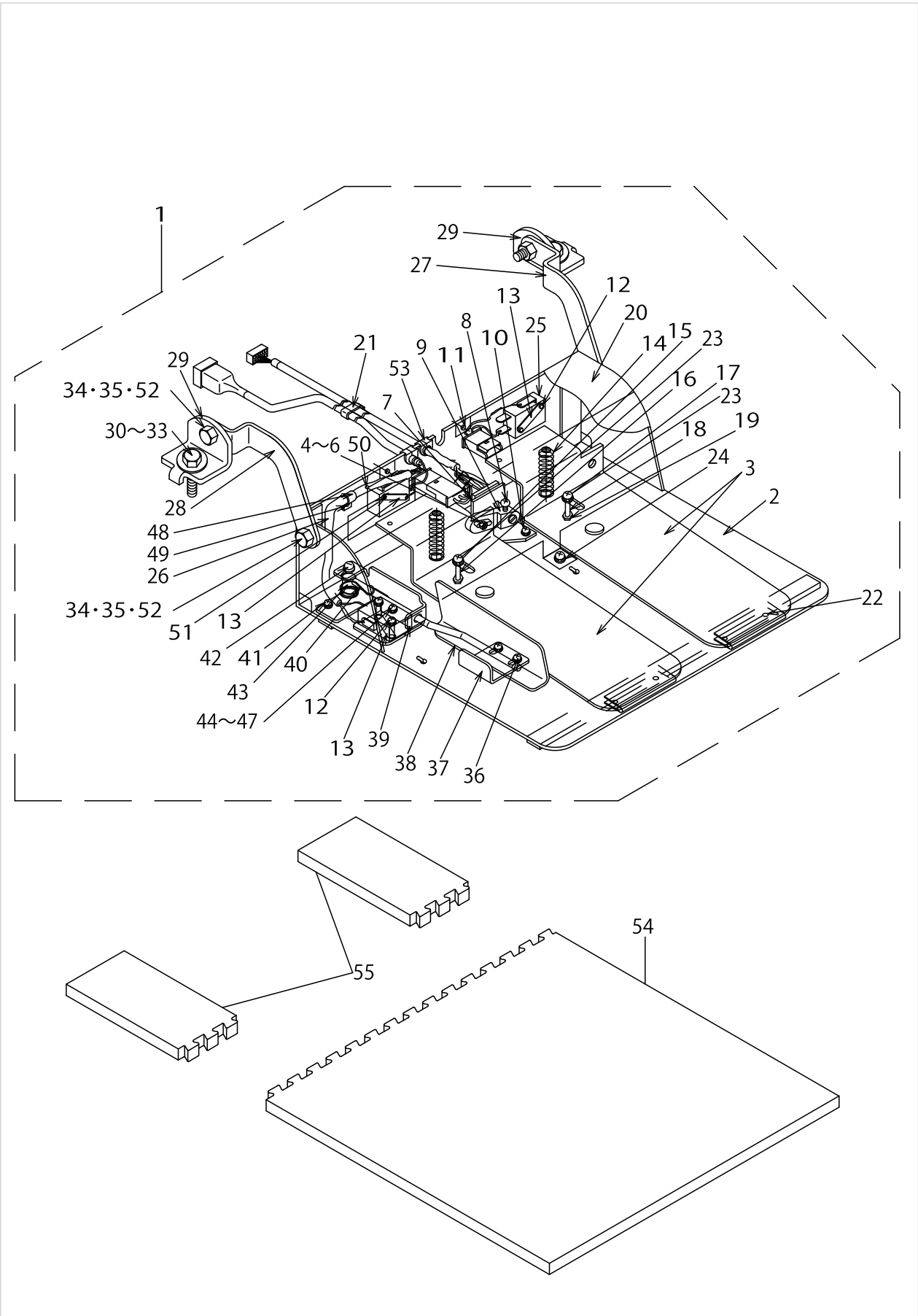
MODEL : PK72
List No : 1021-00

PARTS LIST

Published:09/10/2017

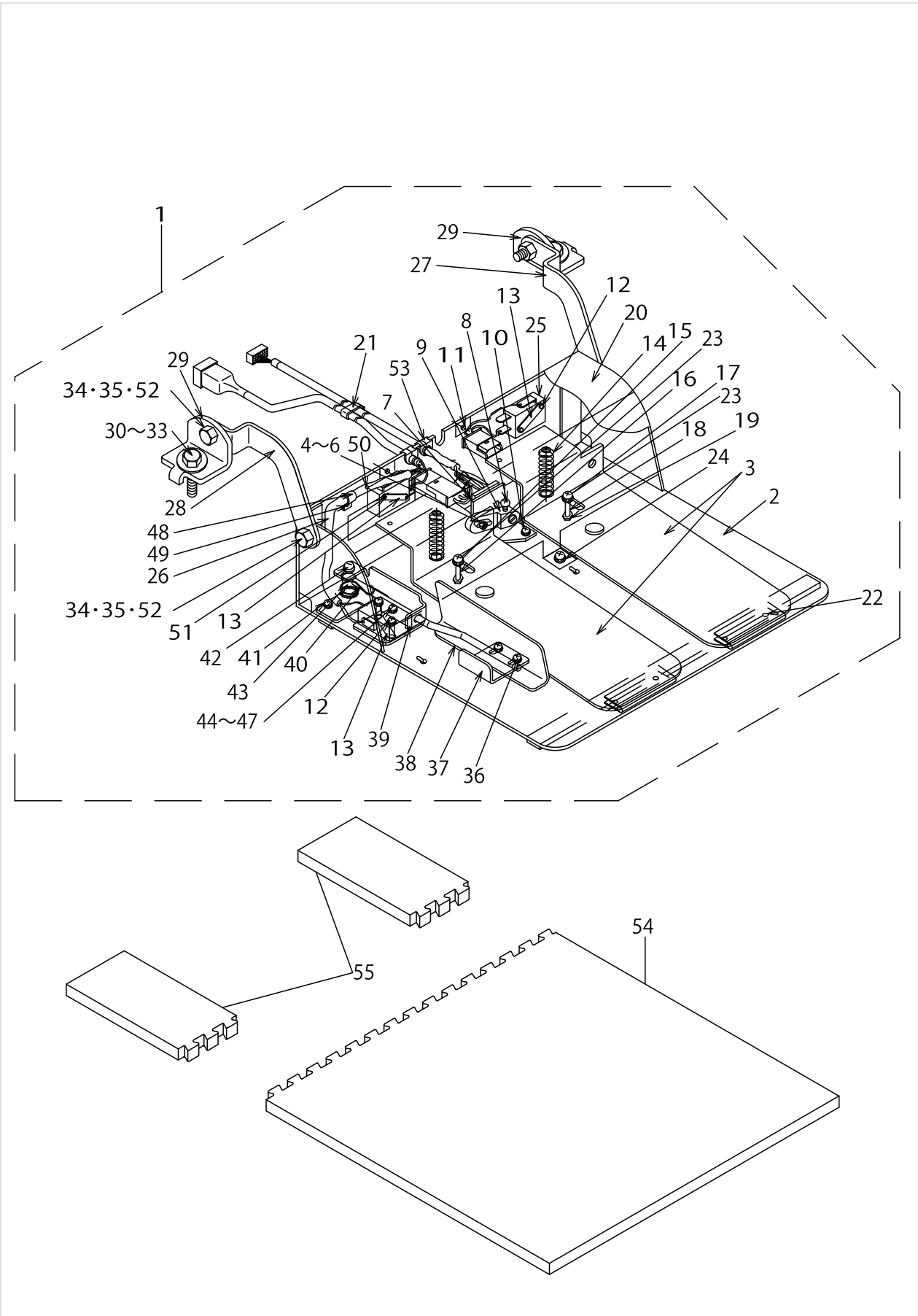
CONTENTS

PK72.....	1
HOW TO MAKE USE OF THIS PARTS LIST	5



PK72

No.	Parts No.	Parts name	Remarks	Level	Cons	Qty
1	GPK720010A0	2-PEDAL UNIT, 72(SC-1 SERIES)				1
2	GPK720020A0	PEDAL BASE ASM., 72		*		1
3	GPK260030AA	PEDAL		*		2
4	GPK12005000	PEDAL LINK PIN		*		1
5	NM6040001SC	NUT M4		*		1
6	NM6040003SC	NUT M4		*		1
7	GPK12006000	VOLUME INSTALLING PLATE		*		1
8	SM4030801SN	SCREW M3X0.5 L=8		*		1
9	M2004110000	VOLUME LINK		*		1
10	SL4030681SC	SCREW M3 L=6		*		2
11	SL4040691SC	SCREW M4 X 6		*		3
12	SL4031691SC	SCREW M3X0.5 L=16		*		4
13	11102308	REVERSE FEED SWITCH PLATE		*		3
14	GPK14013000	PEDAL SPRING		*		2
15	SL4043091SC	SCREW		*		1
16	GPK26027000	COLLAR		*		1
17	SL4042591SC	SCREW M4X0.7 L=25		*		1
18	GPK26026000	SWITCH PEDAL GUIDE COLLAR		*		1
19	NM6040003SC	NUT M4		*		2
20	GPK610020A0	SWITCH COVER, 61		*		1
21	GPK720030B0	PEDAL CORD ASM., 72		*		1
22	SM1030501SC	SCREW M3X0.5 L=5		*		4
23	GHP03537000	TUBE JOINT GASKET		*		2
24	WP0430801SC	WASHER M4		*		1
25	GPK700030A0	SWITCH ASM., RIGHT		*		1
26	GPK710040A0	LEFT SWITCH ASM., 71		*		1
27	GPK1800600AA	PEDAL BASE JOINT, RIGHT		*		1
28	GPK1800700AA	PEDAL BASE JOINT, LEFT		*		1
29	11159001	PEDAL SHAFT BRACKET		*		2
30	SM9082023SE	SCREW M8 L=20		*		2
31	WP0871602SE	WASHER 8.7X18X1.6		*		4
32	WS0861410KR	SPRING WASHER 8.6X15X1.4		*		2
33	NM6080721SE	NUT M8		*		2
34	SM9081620SE	SCREW M8 L=16		*		4
35	NM6080002SE	SET NUT (RIGHT)FOR FORK ROD		*		4
36	SL4040891SC	SCREW M4X8		*		2
37	GPK2600800A	THREAD CUTTER SWITCH STOPPER,W		*		1
38	GPK2600700A	THREAD CUTTER SWITCH LEVER, W		*		1
39	GPK26009000	SWITCH BASE		*		1
40	GPK26011000	SWITCH SPRING		*		1
41	SL4040891SC	SCREW M4X8		*		1
42	SS4111215SP	SCREW 11/64-40 L=12		*		1
43	GPK26010000	SWITCH SHAFT		*		1
44	SM4041201SC	SCREW M4X0.7 L=12		*		1
45	GPK26028000	SWITCH BASE COLLAR		*		1
46	WP0430801SC	WASHER M4		*		1
47	NM6040003SC	NUT M4		*		1



PK72

No.	Parts No.	Parts name	Remarks	Level	Cons	Qty
48	HX001230000	CABLE CLIP		*		1
49	SL4040881SC	SCREW M4X0.7 L=8		*		1
50	GPK18022000	MICRO SWITCH COLLAR		*		2
51	SL4032081SC	SCREW M3 L=20		*		2
52	GPK26022000	JOINT FITTING COLLAR		*		4
53	GPK26023000	BUSH		*		2
54	GPK26100000	MAT A				1
55	GPK26101000	MAT B				2

HOW TO MAKE USE OF THIS PARTS LIST

1.As to "#01" and "#02" refer to the "Note" given at the bottom of the respective pages.

2.Codes on the "Qty" column

- Each numeral indicates the number of parts required.
- "0.1" and "2.5" indicate the length (in meters) of the respective parts.

3.Parentheses mean that the corresponding part is a subpart that constructs an assembly part.

4.Dotted lines on the Figures indicate assembly parts.

1. リストページの# 0 1、# 0 2の印は、ページ下の"注記"の説明を参照下さい。
2. 数量欄の数字は、個数を表し、0. 1、2. 5等の数値は、長さ（単位メートル）を表します。
3. 数量欄の（ ）は、組部品を構成している子部品であることを意味します。
4. イラストページの-----枠は、組構成であることを意味します。

NUMERICAL INDEX OF PARTS

PART NO	PAGE	REF NO.	PART NO	PAGE	REF NO.
11102308	2	13	SM9081620SE	2	34·35·52
11159001	2	29	SM9082023SE	2	30~33
GHP03537000	2	23	SS4111215SP	2	42
GPK12005000	2	4~6	WP0430801SC	2	44~47
GPK12006000	2	7	WP0871602SE	2	30~33
GPK14013000	2	14	WS0861410KR	2	30~33
GPK1800600AA	2	27			
GPK1800700AA	2	28			
GPK18022000	4	50			
GPK260030AA	2	3			
GPK2600700A	2	38			
GPK2600800A	2	37			
GPK26009000	2	39			
GPK26010000	2	43			
GPK26011000	2	40			
GPK26022000	4	34·35·52			
GPK26023000	4	53			
GPK26026000	2	18			
GPK26027000	2	16			
GPK26028000	2	44~47			
GPK26100000	4	54			
GPK26101000	4	55			
GPK610020A0	2	20			
GPK700030A0	2	25			
GPK710040A0	2	26			
GPK720010A0	2	1			
GPK720020A0	2	2			
GPK720030B0	2	21			
HX001230000	4	48			
M2004110000	2	9			
NM6040001SC	2	4~6			
NM6040003SC	2	44~47			
NM6080002SE	2	34·35·52			
NM6080721SE	2	30~33			
SL4030681SC	2	10			
SL4031691SC	2	12			
SL4032081SC	4	51			
SL4040691SC	2	11			
SL4040881SC	4	49			
SL4040891SC	2	41			
SL4042591SC	2	17			
SL4043091SC	2	15			
SM1030501SC	2	22			
SM4030801SN	2	8			
SM4041201SC	2	44~47			