

MODEL : MOC-3900/AK102

List No : 1019-00

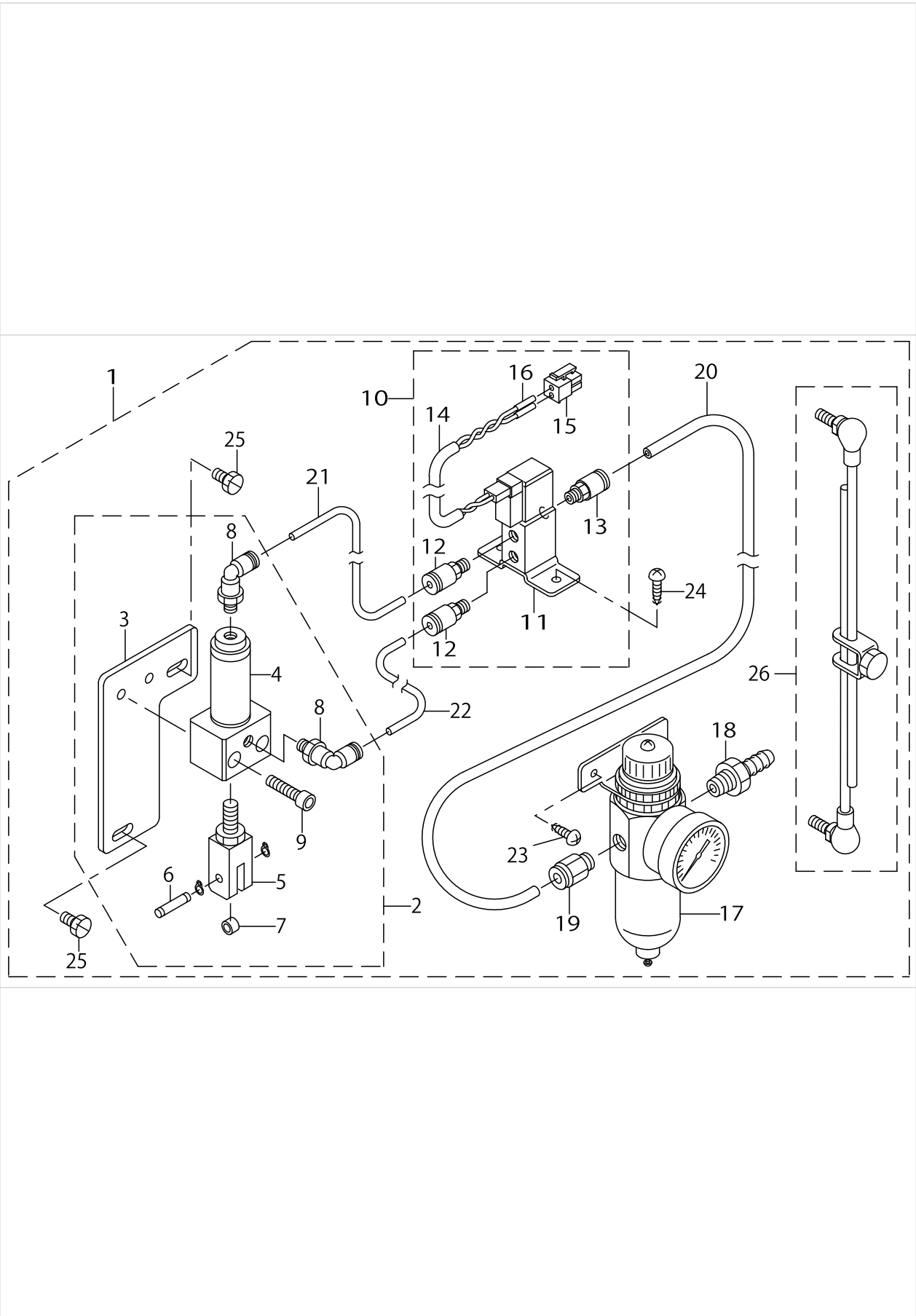
PARTS LIST

Published:09/10/2017

CONTENTS

COMPONENTS	1
HOW TO MAKE USE OF THIS PARTS LIST	3

COMPONENTS



COMPONENTS

No.	Parts No.	Parts name	Remarks	Level	Cons	Qty
1	GAKA02000A0	AK102 ASM.				1
2	GAKA02010A0	CYLINDER ASM.		*		1
3	GBT01083000	CYLINDER PLATE		*		1
4	PA2002512B0	AIR CYLINDER		*		1
5	GBT01084000	KNUCKLE		*		1
6	GBT01085000	KNUCKLE PIN		*		1
7	GBT01086000	KNUCKLE ROLLER		*		1
8	PJ304045104	ELBOW		*		2
9	SM6062502TP	SCREW M6 L=25		*		2
10	GAKA01020A0	SOLENOID VALVE ASM.		*		1
11	PV150518100	SOLENOID VALVE		*		1
12	PJ301040504	JOINTING		*		2
13	PJ301060501	UNION		*		1
14	E8760452F00	TUBE		*		0.5
15	HK034610020	2-POLE NYLON PLUG		*		1
16	HK034640000	PIN SHAP TERMINAL		*		2
17	PF0552010B0	COMBINATION FR UNIT ASM.		*		1
18	F1021003000	HOSE JOINT		*		1
19	GAS12063000	MALE CONNECTOR		*		1
20	BT0600401EB	TUBE		*		1
21	BT0400251EB	URETHANE HOSE, BLACK		*		0.8
22	BT0400251EB	URETHANE HOSE, BLACK		*		0.8
23	GMD01080000	SCREW M5 L=10		*		2
24	SK3412000SC	WOOD SCREW D=4.1 L=20		*		2
25	SS9151120CP	SCREW 15/64-28 L=11		*		2
26	D7114555BAB	CONNECTING ROD ASM. (B)		*		1

HOW TO MAKE USE OF THIS PARTS LIST

1.As to "#01" and "#02" refer to the "Note" given at the bottom of the respective pages.

2.Codes on the "Qty" column

- Each numeral indicates the number of parts required.
- "0.1" and "2.5" indicate the length (in meters) of the respective parts.

3.Parentheses mean that the corresponding part is a subpart that constructs an assembly part.

4.Dotted lines on the Figures indicate assembly parts.

1. リストページの# 0 1、# 0 2の印は、ページ下の"注記"の説明を参照下さい。
2. 数量欄の数字は、個数を表し、0. 1、2. 5等の数値は、長さ（単位メートル）を表します。
3. 数量欄の（ ）は、組部品を構成している子部品であることを意味します。
4. イラストページの-----枠は、組構成であることを意味します。

NUMERICAL INDEX OF PARTS

PART NO	PAGE	REF NO.
BT0400251EB	2	22
BT0600401EB	2	20
D7114555BAB	2	26
E8760452F00	2	14
F1021003000	2	18
GAKA01020A0	2	10
GAKA02000A0	2	1
GAKA02010A0	2	2
GAS12063000	2	19
GBT01083000	2	3
GBT01084000	2	5
GBT01085000	2	6
GBT01086000	2	7
GMD01080000	2	23
HK034610020	2	15
HK034640000	2	16
PA2002512B0	2	4
PF0552010B0	2	17
PJ301040504	2	12
PJ301060501	2	13
PJ304045104	2	8
PV150518100	2	11
SK3412000SC	2	24
SM6062502TP	2	9
SS9151120CP	2	25