

MODEL : MO-3900/AK101

List No : 1017-02

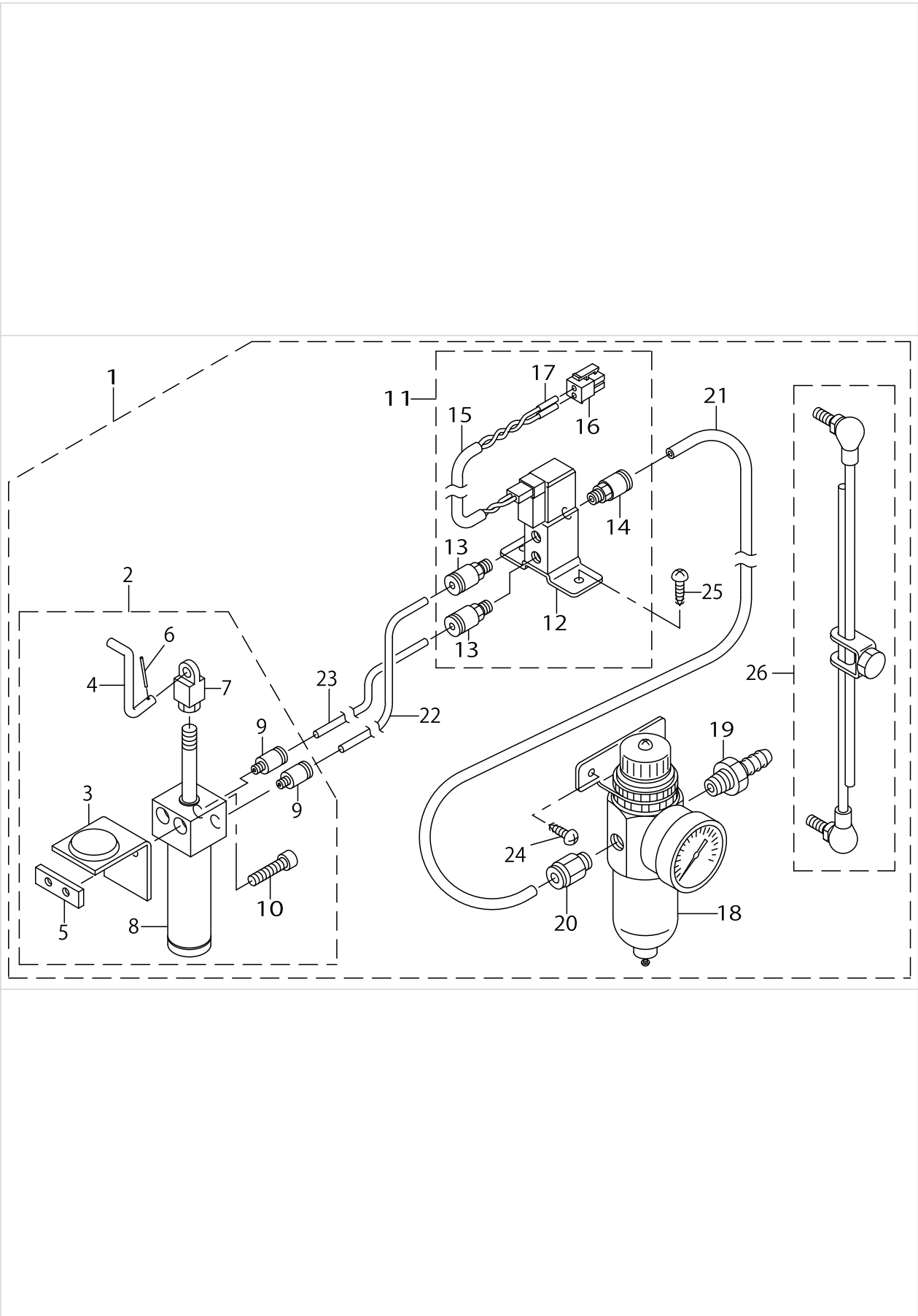
PARTS LIST

Published:09/10/2017

CONTENTS

COMPONENTS	1
HOW TO MAKE USE OF THIS PARTS LIST	3

COMPONENTS



COMPONENTS

No.	Parts No.	Parts name	Remarks	Level	Cons	Qty
1	GAKA01000A0	AUTO LIFTER DEVICE (AK-101)				1
2	GAKA01010A0	CYLINDER ASM.		*		1
3	GAK32003000	AIR CYLINDER BASE, AK-32		*		1
4	GAK32004000	AIR CYLINDER CONNECTING HOOK		*		1
5	GAK32005000	CYLINDER MOUNTING PLATE		*		1
6	GAK49003000	CONNECTING HOOK PIN		*		1
7	GAK52004000	AIR CYLINDER KNUCKLE, AK-32		*		1
8	PA2002520A0	AIR CYLINDER		*		1
9	PJ301040504	JOINTING		*		2
10	SM6062502TP	SCREW M6 L=25		*		2
11	GAKA01020A0	SOLENOID VALVE ASM.		*		1
12	PV150518100	SOLENOID VALVE		*		1
13	PJ301040504	JOINTING		*		2
14	PJ301060501	UNION		*		1
15	E8760452F00	TUBE		*		0.5
16	HK034610020	2-POLE NYLON PLUG		*		1
17	HK034640000	PIN CONTACT		*		2
18	PF0552010B0	COMBINATION FR UNIT ASM.		*		1
19	F1021003000	HOSE JOINT		*		1
20	GAS12063000	MALE CONNECTOR		*		1
21	BT0600401EB	TUBE		*		1
22	BT0400251EB	URETHANE HOSE, BLACK		*		0.8
23	BT0400251EB	URETHANE HOSE, BLACK		*		0.8
24	GMD01080000	SCREW M5 L=10		*		2
25	SK3412000SC	WOOD SCREW D=4.1 L=20		*		2
26	22958458	CONNECTING ROD ASM. B		*		1

HOW TO MAKE USE OF THIS PARTS LIST

1.As to "#01" and "#02" refer to the "Note" given at the bottom of the respective pages.

2.Codes on the "Qty" column

- Each numeral indicates the number of parts required.
- "0.1" and "2.5" indicate the length (in meters) of the respective parts.

3.Parentheses mean that the corresponding part is a subpart that constructs an assembly part.

4.Dotted lines on the Figures indicate assembly parts.

1. リストページの# 0 1、# 0 2の印は、ページ下の"注記"の説明を参照下さい。
2. 数量欄の数字は、個数を表し、0. 1、2. 5等の数値は、長さ（単位メートル）を表します。
3. 数量欄の（ ）は、組部品を構成している子部品であることを意味します。
4. イラストページの-----枠は、組構成であることを意味します。

NUMERICAL INDEX OF PARTS

PART NO	PAGE	REF NO.
22958458	2	26
BT0400251EB	2	23
BT0600401EB	2	21
E8760452F00	2	15
F1021003000	2	19
GAK32003000	2	3
GAK32004000	2	4
GAK32005000	2	5
GAK49003000	2	6
GAK52004000	2	7
GAKA01000A0	2	1
GAKA01010A0	2	2
GAKA01020A0	2	11
GAS12063000	2	20
GMD01080000	2	24
HK034610020	2	16
HK034640000	2	17
PA2002520A0	2	8
PF0552010B0	2	18
PJ301040504	2	13
PJ301060501	2	14
PV150518100	2	12
SK3412000SC	2	25
SM6062502TP	2	10