

MODEL : MO-3700 SUBCLASSES 3712/3714

List No : 0996-01

# PARTS LIST

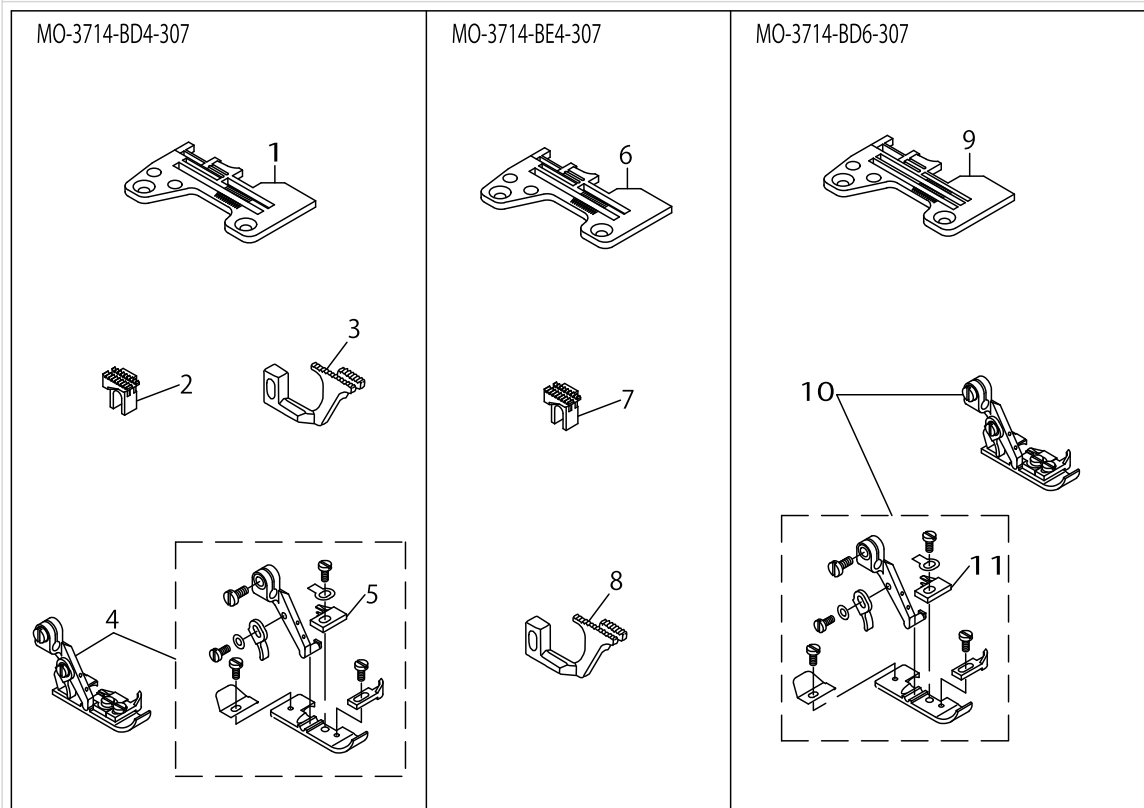
Published:09/10/2017

## CONTENTS

---

MO-3700 SUBCLASSES (1).....	1
MO-3700 SUBCLASSES (2).....	3
MO-3700 SUBCLASSES (3).....	5
MO-3700 SUBCLASSES (4).....	7
MO-3700 SUBCLASSES (5).....	9
MO-3700 SUBCLASSES (6).....	11
MO-3700 SUBCLASSES (7).....	13
MO-3700 SUBCLASSES (8).....	15
MO-3700 SUBCLASSES (9).....	17
MO-3700 SUBCLASSES (10).....	19
HOW TO MAKE USE OF THIS PARTS LIST .....	21

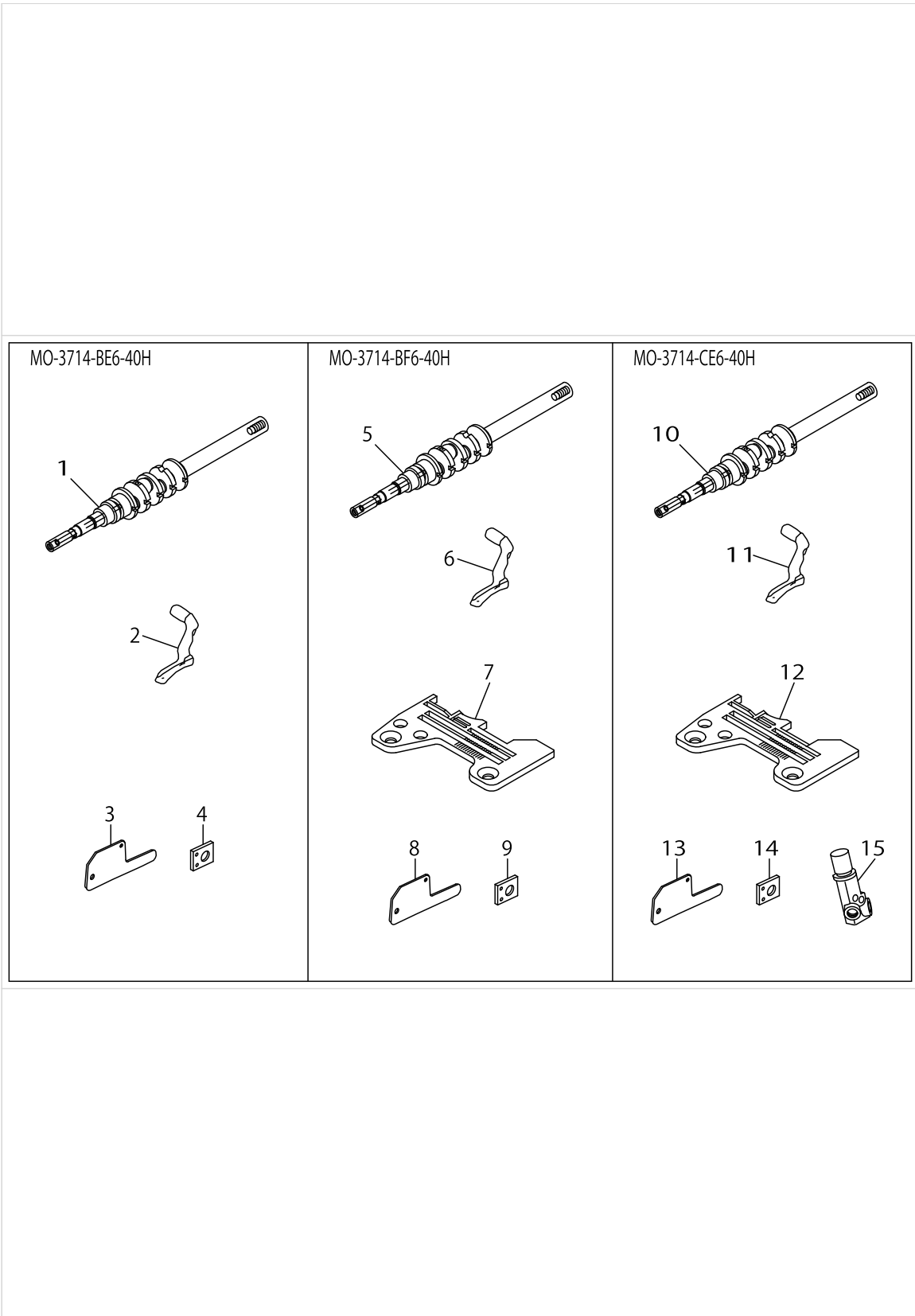
MO-3700 SUBCLASSES (1)



MO-3700 SUBCLASSES (1)

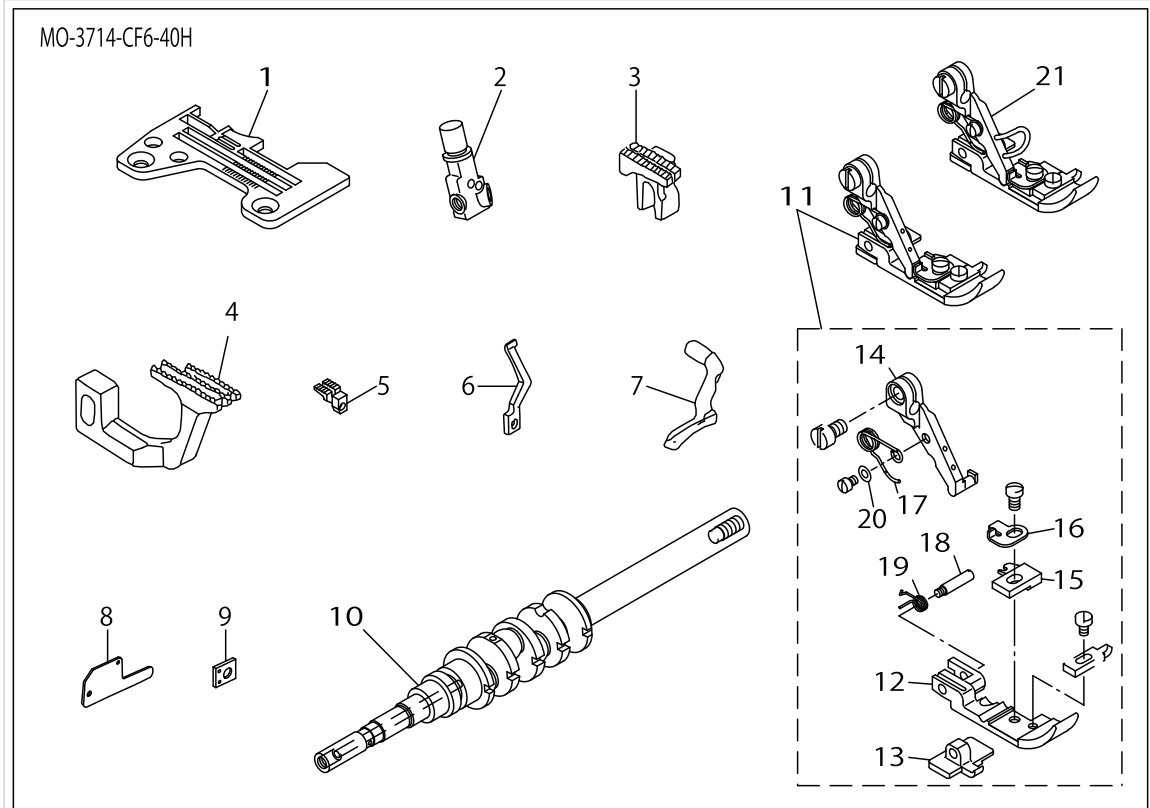
No.	Parts No.	Parts name	Remarks	Level	Cons	Qty
1	R4205J0DE00	THROAT PLATE				1
2	11597101	MAIN FEED DOG				1
3	B1657814B0E	DIFFERENTIAL FEED DOG				1
4	12152559	PRESSER FOOT COMPL.	FOR DOMESTIC USE			1
5	12160107	STITCH TONGUE		*		1
6	R4205J0EE00	THROAT PLATE				1
7	11597101	MAIN FEED DOG				1
8	B1657814B0E	DIFFERENTIAL FEED DOG				1
9	R4305J0DE00	THROAT PLATE				1
10	12152559	PRESSER FOOT COMPL.	FOR DOMESTIC USE			1
11	12160107	STITCH TONGUE		*		1

MO-3700 SUBCLASSES (2)



MO-3700 SUBCLASSES (2)

No.	Parts No.	Parts name	Remarks	Level	Cons	Qty
1	12107207	CRANKSHAFT				1
2	12176103	UPPER LOOPER				1
3	11991601	UPPER LOOPER GUIDE COVER				1
4	11991809	GAUGE				1
5	12107207	CRANKSHAFT				1
6	12176103	UPPER LOOPER				1
7	R4305J0FE00	THROAT PLATE				1
8	11991601	UPPER LOOPER GUIDE COVER				1
9	11991809	GAUGE				1
10	12107207	CRANKSHAFT				1
11	12176103	UPPER LOOPER				1
12	R4306J0EE00	THROAT PLATE				1
13	11991601	UPPER LOOPER GUIDE COVER				1
14	11991809	GAUGE				1
15	12149209	NEEDLE CLAMP, 2-NEEDLE				1



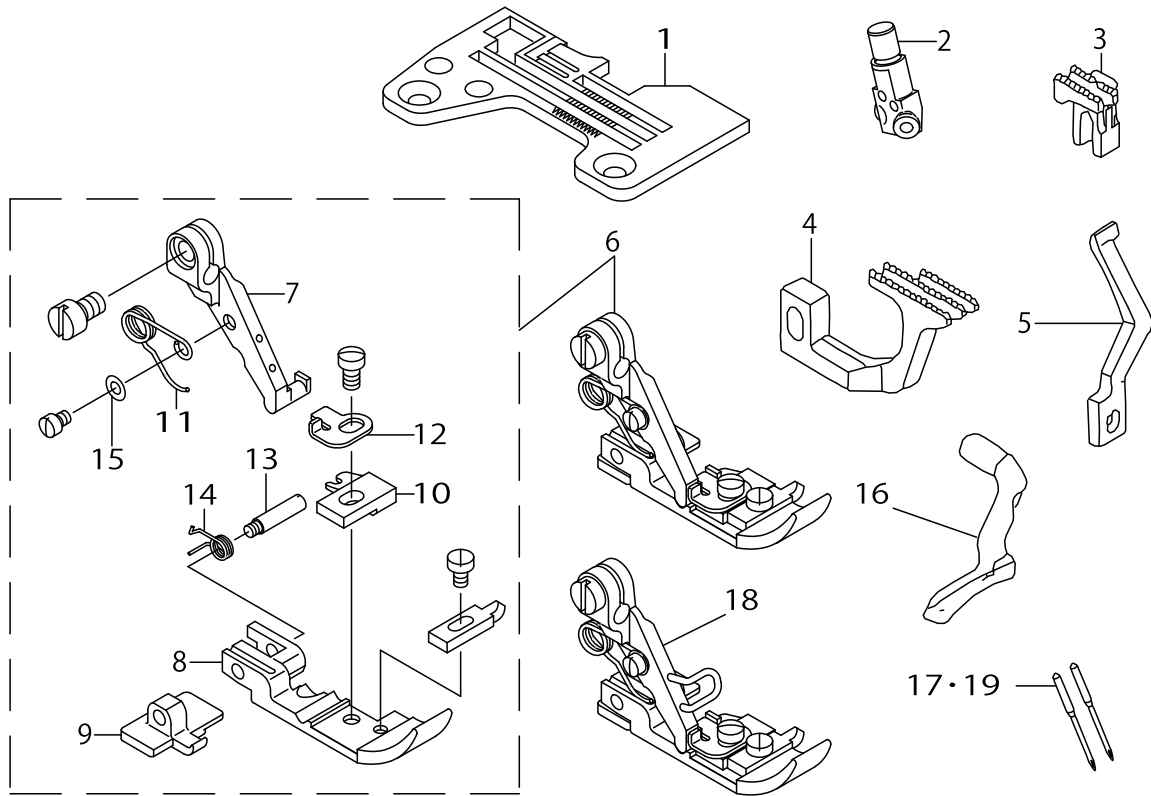
## MO-3700 SUBCLASSES (3)

No.	Parts No.	Parts name	Remarks	Level	Cons	Qty
1	R4306J0FE00	THROAT PLATE				1
2	12149308	NEEDLE CLAMP, 2-NEEDLE				1
3	11882503	MAIN FEED DOG				1
4	11790706	DIFFERENTIAL FEED DOG				1
5	11887205	AUXILIARY FEED DOG				1
6	11890407	NEEDLE GUARD				1
7	12176103	UPPER LOOPER				1
8	11991601	UPPER LOOPER GUIDE COVER				1
9	11991809	GAUGE				1
10	12107207	CRANKSHAFT				1
11	11984457	PRESSER ASM.				1
12	11983806	CLOTH PRESSER		*		1
13	11983905	REAR PRESSER FOOT		*		1
14	11984002	PRESSER HINGE		*		1
15	11874401	STITCH TONGUE		*		1
16	11984101	SPRING		*		1
17	11984200	PRESSER SPRING		*		1
18	11930807	HINGE PIN		*		1
19	11931706	SPRING		*		1
20	WP0371026SD	WASHER 3.7X7X1		*		1
21	11984465	PRESSER FOOT ASM.	FOR EXPORT			1



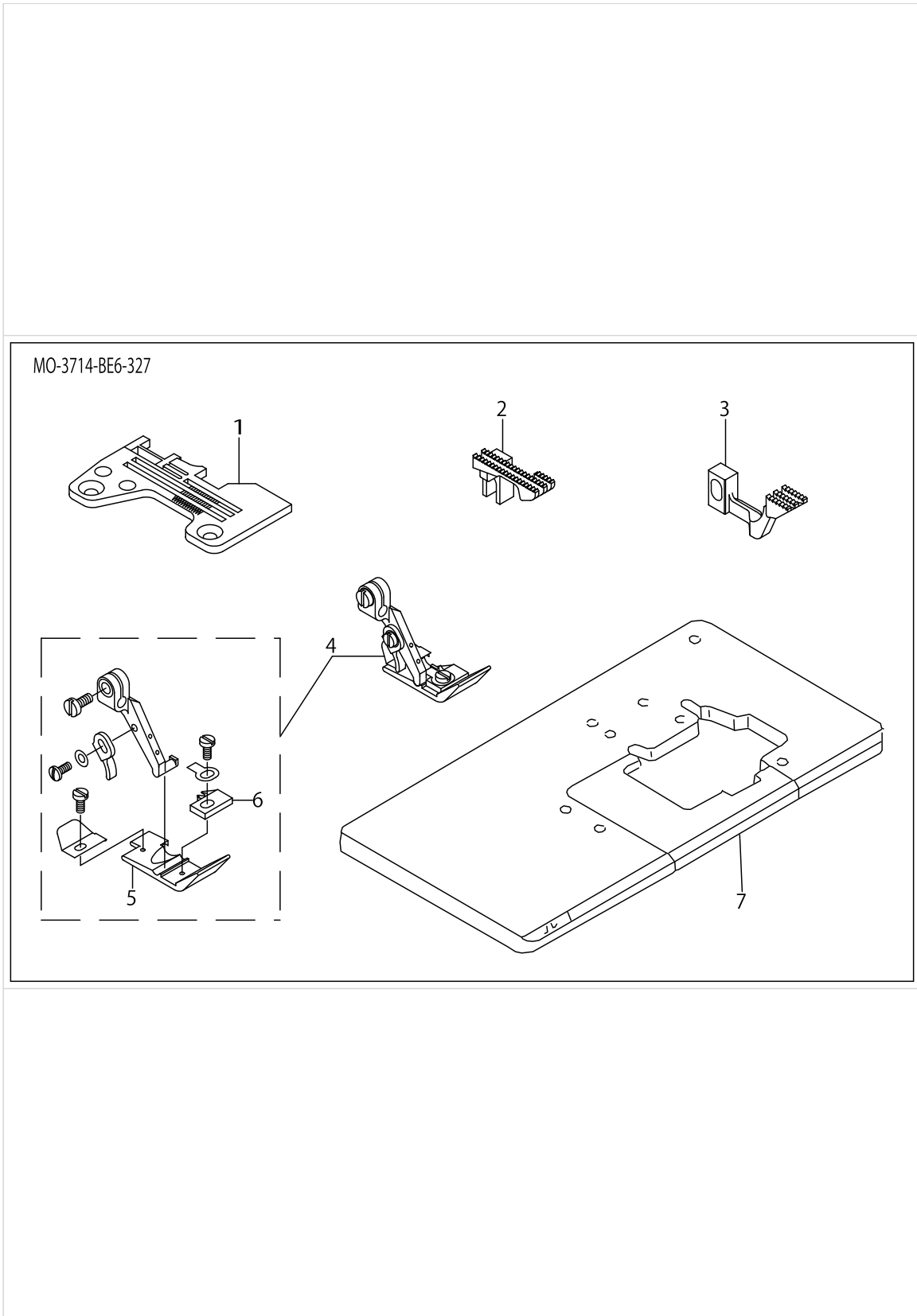
MO-3700 SUBCLASSES (4)

MO-3712-DF6-507



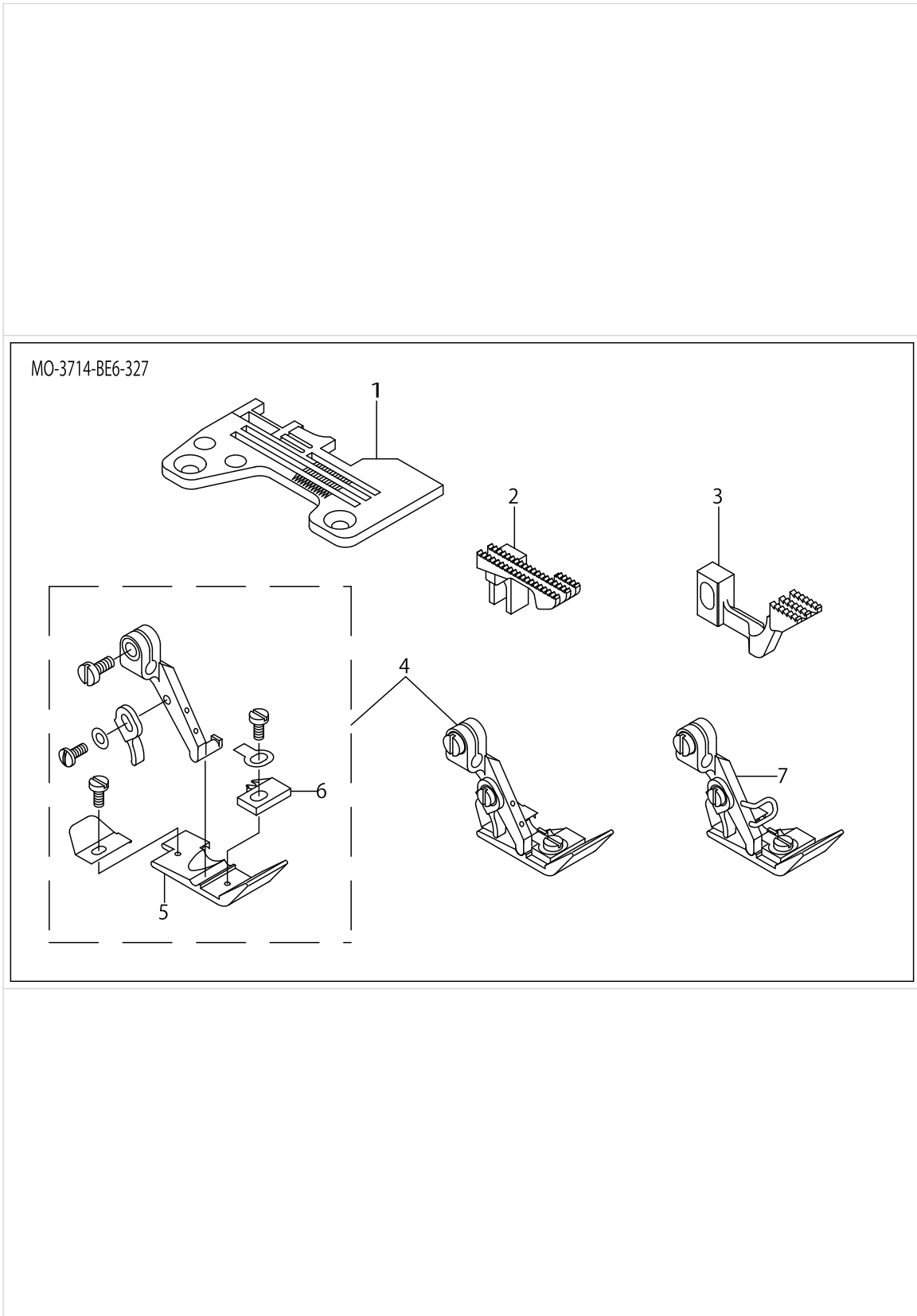
## MO-3700 SUBCLASSES (4)

No.	Parts No.	Parts name	Remarks	Level	Cons	Qty
1	R4308J0FE0A	THROAT PLATE				1
2	12149407	NEEDLE CLAMP, 2-NEEDLE				1
3	11984309	MAIN FEED DOG				1
4	11980604	DIFFERENTIAL FEED DOG				1
5	11890407	NEEDLE GUARD				1
6	11983855	PRESSER ASM.				1
7	11984002	PRESSER HINGE		*		1
8	11983806	CLOTH PRESSER		*		1
9	11983905	REAR PRESSER FOOT		*		1
10	11790607	STITCH TONGUE		*		1
11	11984200	PRESSER SPRING		*		1
12	11984101	SPRING		*		1
13	11930807	HINGE PIN		*		1
14	11931706	SPRING		*		1
15	WP0371026SD	WASHER 3.7X7X1		*		1
16	12176103	UPPER LOOPER				1
17	MC033600900	NEEDLE B-27 90	FOR JE			2
18	11983863	PRESSER FOOT ASM	FOR EXPORT			1
19	MDC270B1400	NEEDLE DCX27 #14				2



MO-3700 SUBCLASSES (5)

No.	Parts No.	Parts name	Remarks	Level	Cons	Qty
1	R4305JOEE0A	THROAT PLATE				1
2	11883402	MAIN FEED DOG				1
3	12171807	DIFFERENTIAL FEED DOG				1
4	11879350	PRESSER FOOT ASM.				1
5	11974102	PRESSER FOOT		*		1
6	B150981400P	STITCH TONGUE		*		1
7	11959954	TABLE B ASM.(FULLY SUNKEN TYPE				1

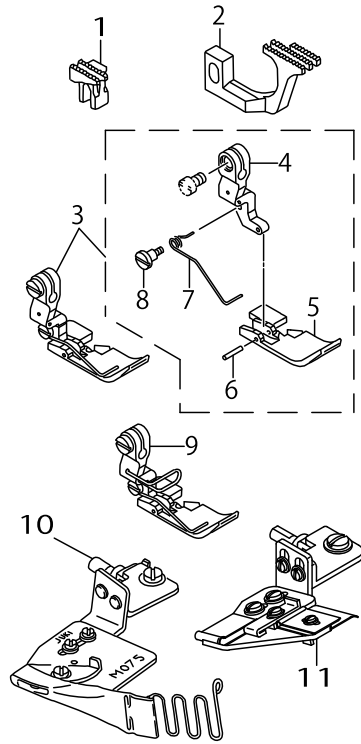


MO-3700 SUBCLASSES (6)

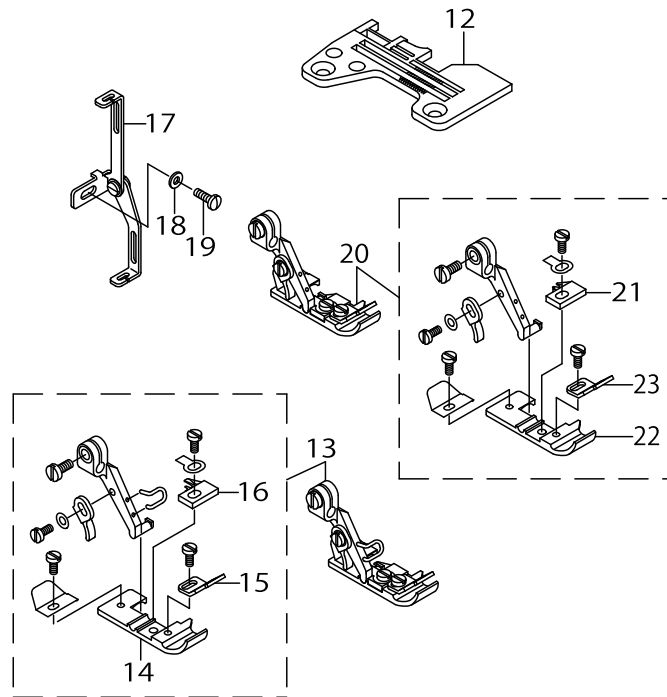
No.	Parts No.	Parts name	Remarks	Level	Cons	Qty
1	R4305JOEE0A	THROAT PLATE				1
2	11883402	MAIN FEED DOG				1
3	12171807	DIFFERENTIAL FEED DOG				1
4	11879350	PRESSER FOOT ASM.				1
5	11974102	PRESSER FOOT		*		1
6	B150981400P	STITCH TONGUE		*		1
7	11879368	PRESSER FOOT ASM.	FOR EXPORT			1

MO-3700 SUBCLASSES (7)

MO-3714-BE6-337/M075(M076)



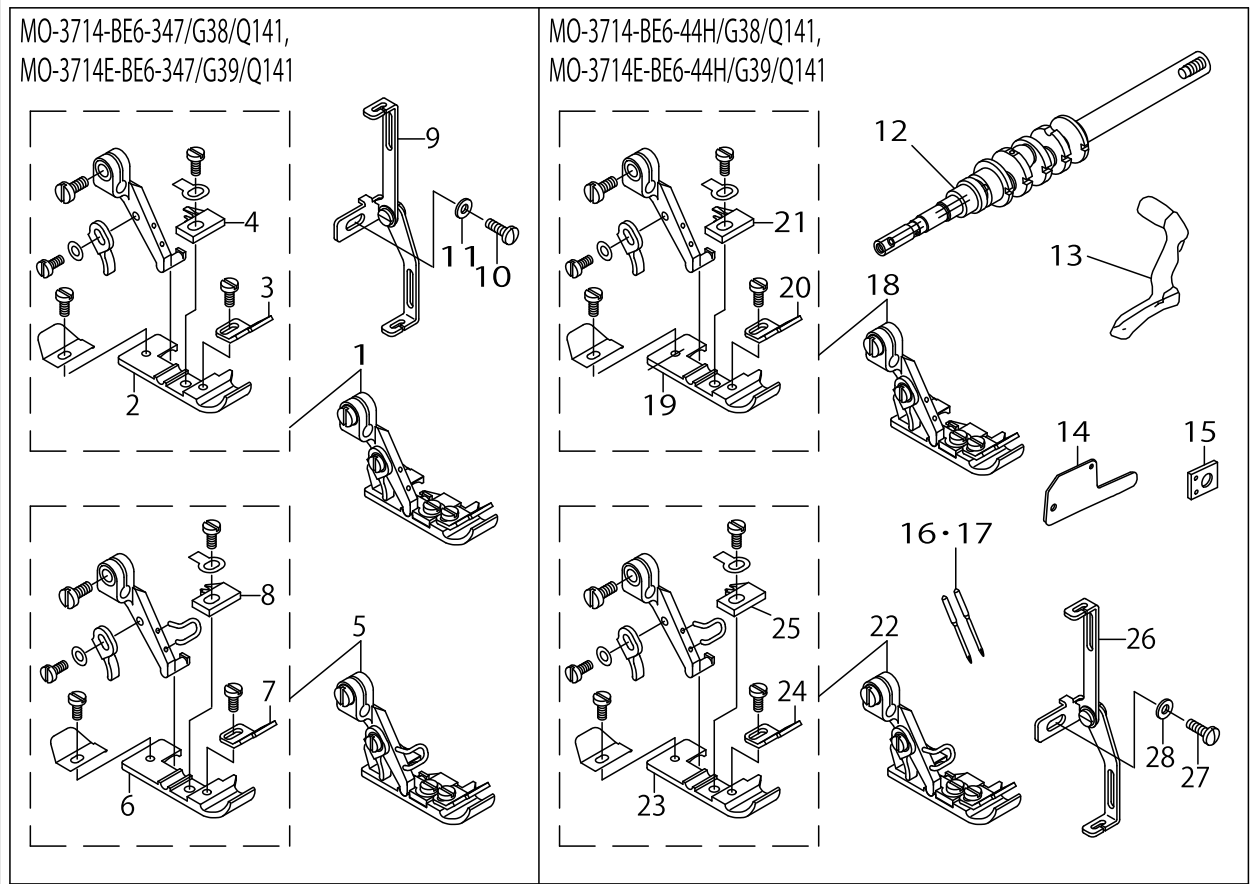
MO-3714-BD6-347/G38/Q141,  
MO-3714E-BD6-347/G38/Q141



## MO-3700 SUBCLASSES (7)

No.	Parts No.	Parts name	Remarks	Level	Cons	Qty
1	11882404	MAIN FEED DOG				1
2	11793304	DIFFERENTIAL FEED DOG				1
3	11879053	PRESSER FOOT ASM.				1
4	11872405	PRESSER FOOT HINGE		*		1
5	B1507814B0D	PRESSER FOOT		*		1
6	11892106	PRESSER SPRING		*		1
7	B1511357000	PIN		*		1
8	SD0370401SP	HINGE SCREW D= 3.70 H= 4.0		*		1
9	11879061	PRESSER FOOT ASM.	FOR EXPORT (G39)			1
10	MAM0750J0A0	PIPING FOLDER ASM. 9MM				1
11	MAM0760N0A0	PIPING GUIDE ASM. 8-13MM	SPECIAL ORDER PART			1
12	R4305J0DE00	THROAT PLATE				1
13	12152856	PRESSER FOOT ASM.	FOR DOMESTIC USE (G38)			1
14	12158002	PRESSER FOOT		*		1
15	12160909	TAPE GUIDE		*		1
16	12160206	STITCH TONGUE		*		1
17	MAQ141000A0	TAPE GUIDE ASM.				1
18	SS7091110TP	SCREW 9/64-40 L=10.5				1
19	WP0371016SD	WASHER 3.7X8X1				1
20	12152963	PRESSER FOOT ASM.	FOR EXPORT (G39)			1
21	12160305	STITCH TONGUE		*		1
22	12158002	PRESSER FOOT		*		1
23	12160909	TAPE GUIDE		*		1

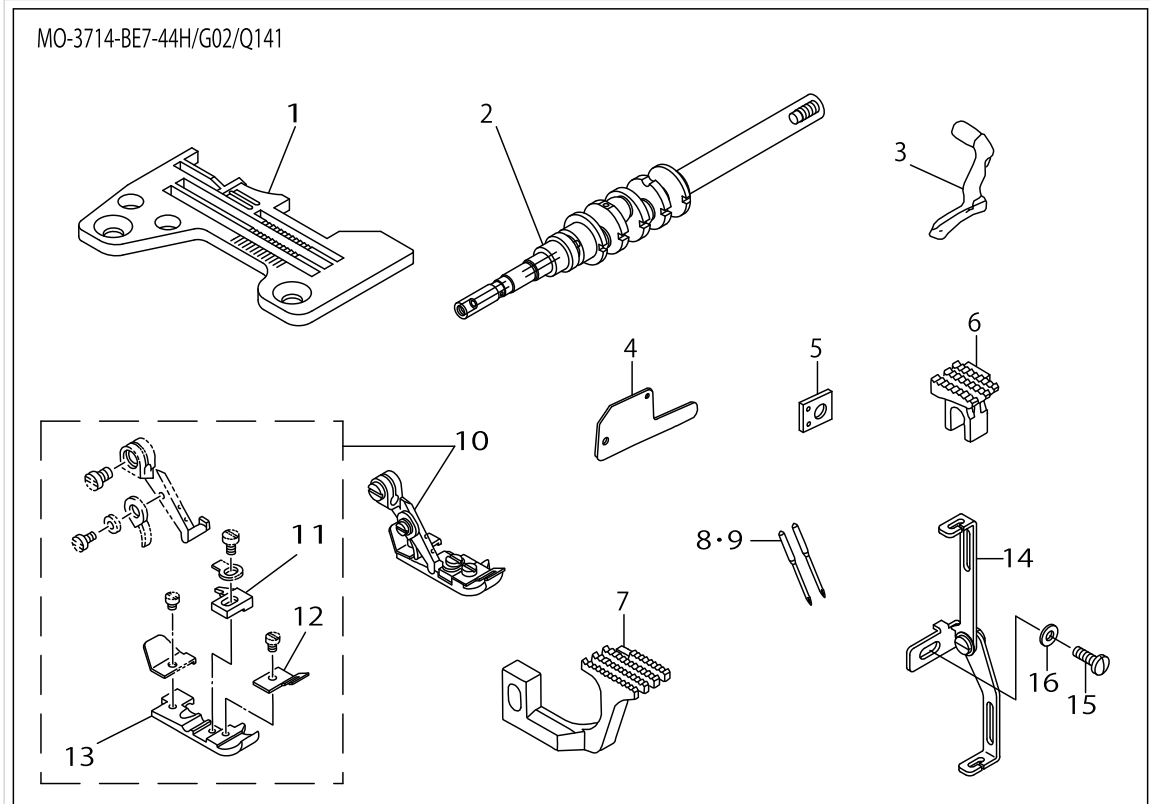




## MO-3700 SUBCLASSES (8)

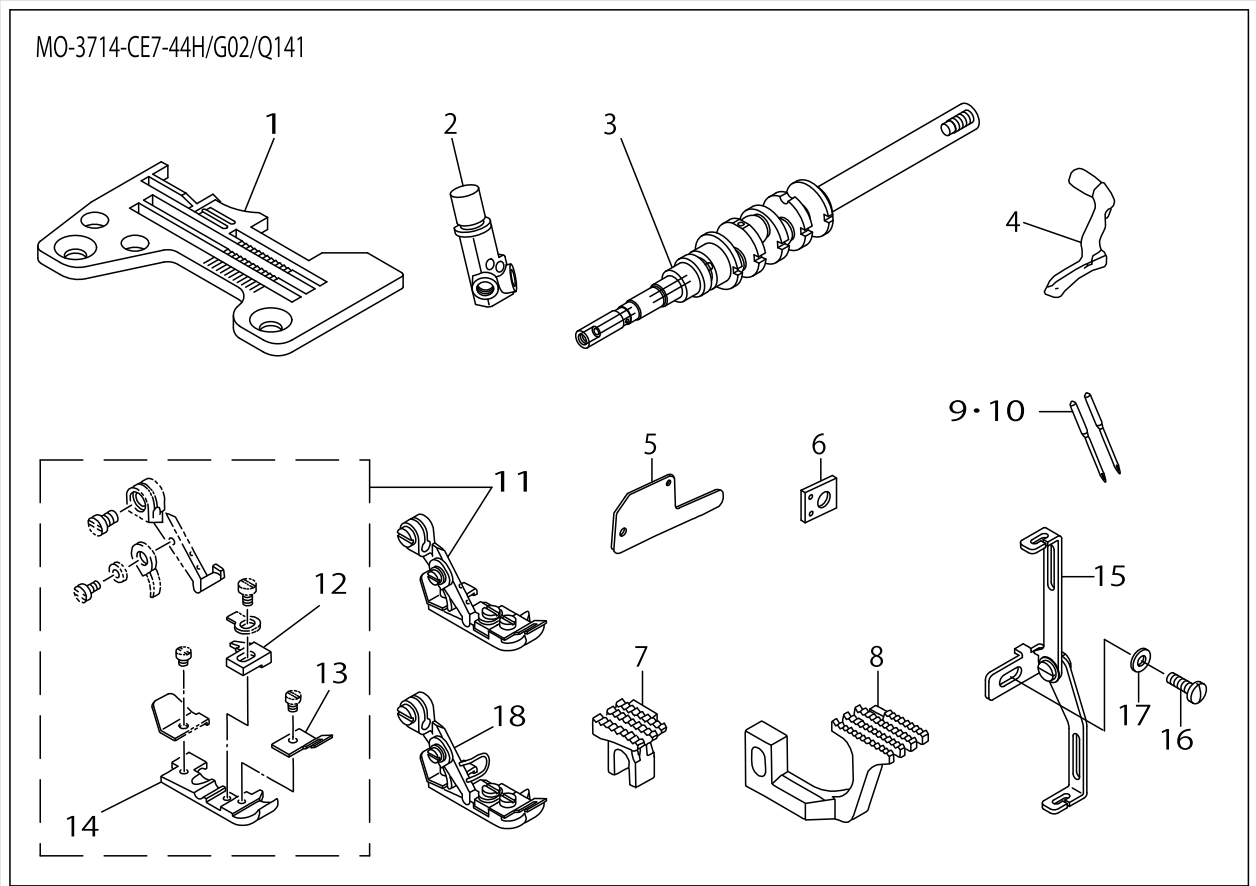
No.	Parts No.	Parts name	Remarks	Level	Cons	Qty
1	12152856	PRESSER FOOT ASM.	FOR DOMESTIC USE (G38)			1
2	12158002	PRESSER FOOT		*		1
3	12160909	TAPE GUIDE		*		1
4	12160206	STITCH TONGUE		*		1
5	12152963	PRESSER FOOT ASM.	FOR EXPORT (G39)			1
6	12158002	PRESSER FOOT		*		1
7	12160909	TAPE GUIDE		*		1
8	12160305	STITCH TONGUE		*		1
9	MAQ141000A0	TAPE GUIDE ASM.				1
10	SS7091110TP	SCREW 9/64-40 L=10.5				1
11	WP0371016SD	WASHER 3.7X8X1				1
12	12107207	CRANKSHAFT				1
13	12176103	UPPER LOOPER				1
14	11991601	UPPER LOOPER GUIDE COVER				1
15	11991809	GAUGE				1
16	MDC270B1400	NEEDLE DCX27 #14				2
17	MC033600900	NEEDLE B-27 90	FOR JE			2
18	12152856	PRESSER FOOT ASM.	FOR DOMESTIC USE (G38)			1
19	12158002	PRESSER FOOT		*		1
20	12160909	TAPE GUIDE		*		1
21	12160206	STITCH TONGUE		*		1
22	12152963	PRESSER FOOT ASM.	FOR EXPORT (G39)			1
23	12158002	PRESSER FOOT		*		1
24	12160909	TAPE GUIDE		*		1
25	12160305	STITCH TONGUE		*		1
26	MAQ141000A0	TAPE GUIDE ASM.				1
27	SS7091110TP	SCREW 9/64-40 L=10.5				1
28	WP0371016SD	WASHER 3.7X8X1				1

MO-3700 SUBCLASSES (9)



MO-3700 SUBCLASSES (9)

No.	Parts No.	Parts name	Remarks	Level	Cons	Qty
1	R4405J0EE00	THROAT PLATE				1
2	12107207	CRANKSHAFT				1
3	12176103	UPPER LOOPER				1
4	11991601	UPPER LOOPER GUIDE COVER				1
5	11991809	GAUGE				1
6	11883501	MAIN FEED DOG				1
7	B1657814B0F	DIFFERENTIAL FEED DOG				1
8	MDC270B1400	NEEDLE DCX27 #14				2
9	MC033600900	NEEDLE B-27 90	FOR JE			2
10	11879251	PRESSER FOOT ASM.				1
11	B1509814B0B	STITCH TONGUE		*		1
12	B1531814000	TAPE GUIDE PLATE		*		1
13	B1507814B0B	PRESSER FOOT		*		1
14	MAQ141000A0	TAPE GUIDE ASM.				1
15	SS7091110TP	SCREW 9/64-40 L=10.5				1
16	WP0371016SD	WASHER 3.7X8X1				1



MO-3700 SUBCLASSES (10)

No.	Parts No.	Parts name	Remarks	Level	Cons	Qty
1	R4406JOEE00	THROAT PLATE				1
2	12149209	NEEDLE CLAMP, 2-NEEDLE				1
3	12107207	CRANKSHAFT				1
4	12176103	UPPER LOOPER				1
5	11991601	UPPER LOOPER GUIDE COVER				1
6	11991809	GAUGE				1
7	11883501	MAIN FEED DOG				1
8	B1657814B0F	DIFFERENTIAL FEED DOG				1
9	MDC270B1400	NEEDLE DCX27 #14				2
10	MC033600900	NEEDLE B-27 90	FOR JE			2
11	11879251	PRESSER FOOT ASM.				1
12	B1509814B0B	STITCH TONGUE		*		1
13	B1531814000	TAPE GUIDE PLATE		*		1
14	B1507814B0B	PRESSER FOOT		*		1
15	MAQ141000A0	TAPE GUIDE ASM.				1
16	SS7091110TP	SCREW 9/64-40 L=10.5				1
17	WP0371016SD	WASHER 3.7X8X1				1
18	11879269	PRESSER FOOT ASM.	FOR EXPORT			1

## HOW TO MAKE USE OF THIS PARTS LIST

1.As to "#01" and "#02" refer to the "Note" given at the bottom of the respective pages.

2.Codes on the "Qty" column

- Each numeral indicates the number of parts required.
- "0.1" and "2.5" indicate the length (in meters) of the respective parts.

3.Parentheses mean that the corresponding part is a subpart that constructs an assembly part.

4.Dotted lines on the Figures indicate assembly parts.

1. リストページの# 0 1、# 0 2の印は、ページ下の"注記"の説明を参照下さい。
2. 数量欄の数字は、個数を表し、0. 1、2. 5等の数値は、長さ（単位メートル）を表します。
3. 数量欄の（ ）は、組部品を構成している子部品であることを意味します。
4. イラストページの-----枠は、組構成であることを意味します。

# NUMERICAL INDEX OF PARTS

PART NO	PAGE	REF NO.	PART NO	PAGE	REF NO.	PART NO	PAGE	REF NO.
11597101	2	7	11984457	6	11	B1507814B0D	14	5
11790607	8	10	11984465	6	21	B150981400P	10	6
11790706	6	4	11991601	4	13	B150981400P	12	6
11793304	14	2	11991601	6	8	B1509814B0B	18	11
11872405	14	4	11991601	16	14	B1509814B0B	20	12
11874401	6	15	11991601	18	4	B1511357000	14	7
11879053	14	3	11991601	20	5	B1531814000	18	12
11879061	14	9	11991809	4	14	B1531814000	20	13
11879251	18	10	11991809	6	9	B1657814B0E	2	8
11879251	20	11	11991809	16	15	B1657814B0F	18	7
11879269	20	18	11991809	18	5	B1657814B0F	20	8
11879350	10	4	11991809	20	6	MAM0750J0A0	14	10
11879350	12	4	12107207	4	10	MAM0760N0A0	14	11
11879368	12	7	12107207	6	10	MAQ141000A0	14	17
11882404	14	1	12107207	16	12	MAQ141000A0	16	26
11882503	6	3	12107207	18	2	MAQ141000A0	18	14
11883402	10	2	12107207	20	3	MAQ141000A0	20	15
11883402	12	2	12149209	4	15	MC033600900	8	17-19
11883501	18	6	12149209	20	2	MC033600900	16	16-17
11883501	20	7	12149308	6	2	MC033600900	18	9
11887205	6	5	12149407	8	2	MC033600900	20	9-10
11890407	6	6	12152559	2	10	MDC270B1400	8	17-19
11890407	8	5	12152856	14	13	MDC270B1400	16	16-17
11892106	14	6	12152856	16	18	MDC270B1400	18	8
11930807	6	18	12152963	14	20	MDC270B1400	20	9-10
11930807	8	13	12152963	16	22	R4205J0DE00	2	1
11931706	6	19	12158002	14	22	R4205J0EE00	2	6
11931706	8	14	12158002	16	23	R4305J0DE00	2	9
11959954	10	7	12160107	2	11	R4305J0DE00	14	12
11974102	10	5	12160206	14	16	R4305J0EE0A	10	1
11974102	12	5	12160206	16	21	R4305J0EE0A	12	1
11980604	8	4	12160305	14	21	R4305J0FE00	4	7
11983806	6	12	12160305	16	25	R4306J0EE00	4	12
11983806	8	8	12160909	14	23	R4306J0FE00	6	1
11983855	8	6	12160909	16	24	R4308J0FE0A	8	1
11983863	8	18	12171807	10	3	R4405J0EE00	18	1
11983905	6	13	12171807	12	3	R4406J0EE00	20	1
11983905	8	9	12176103	4	11	SD0370401SP	14	8
11984002	6	14	12176103	6	7	SS7091110TP	14	18
11984002	8	7	12176103	8	16	SS7091110TP	16	27
11984101	6	16	12176103	16	13	SS7091110TP	18	15
11984101	8	12	12176103	18	3	SS7091110TP	20	16
11984200	6	17	12176103	20	4	WP0371016SD	14	19
11984200	8	11	B1507814B0B	18	13	WP0371016SD	16	28
11984309	8	3	B1507814B0B	20	14	WP0371016SD	18	16



## NUMERICAL INDEX OF PARTS

PART NO	PAGE	REF NO.
WP0371016SD	20	17
WP0371026SD	6	20
WP0371026SD	8	15