

MODEL : MO-3700 SUBCLASSES 3703/3704/3705

List No : 0995-01

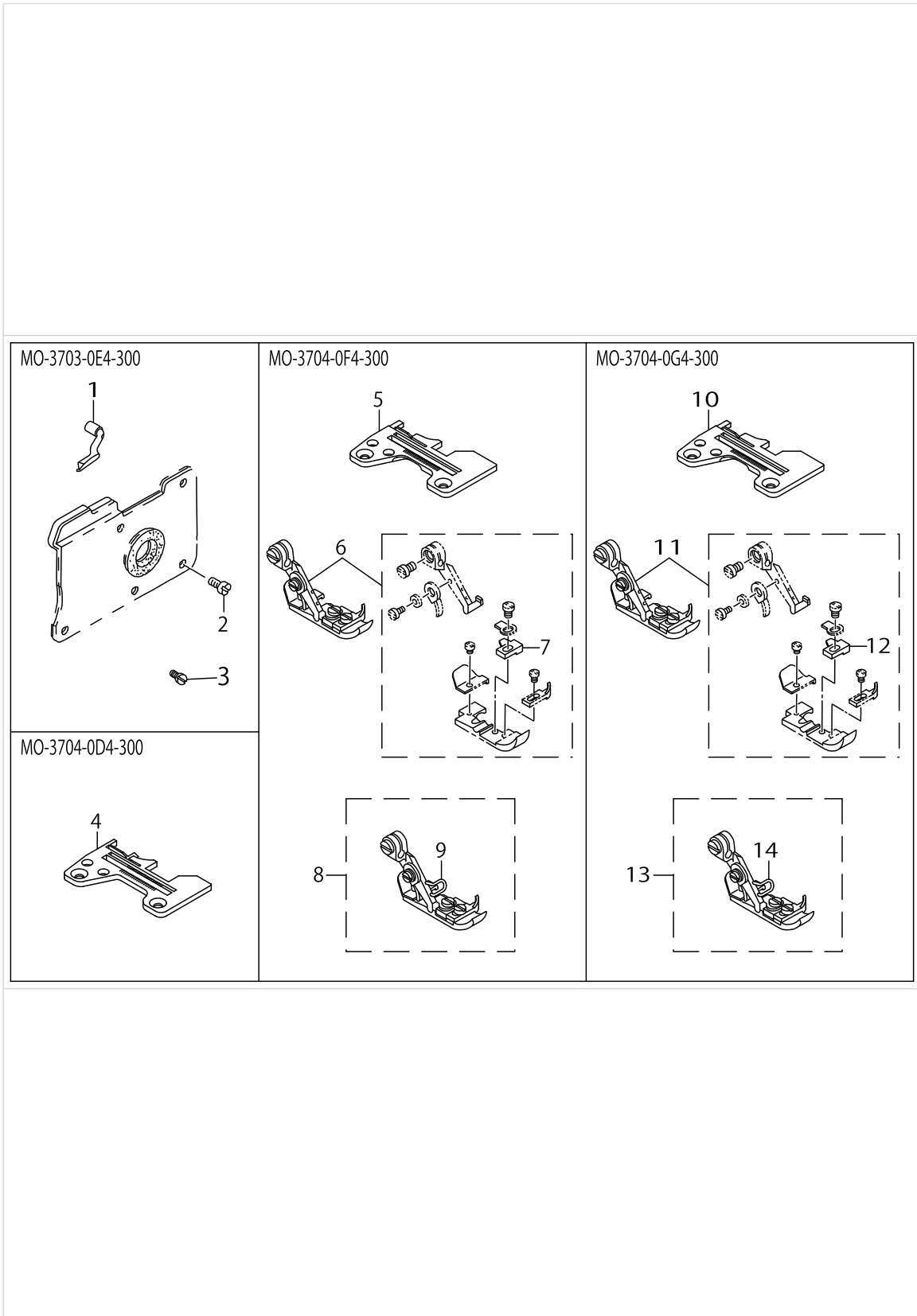
PARTS LIST

Published:09/10/2017

CONTENTS

MO-3700 SUBCLASSES (1).....	1
MO-3700 SUBCLASSES (2).....	3
MO-3700 SUBCLASSES (3).....	5
MO-3700 SUBCLASSES (4).....	7
MO-3700 SUBCLASSES (5).....	9
MO-3700 SUBCLASSES (6).....	11
MO-3700 SUBCLASSES (7).....	13
MO-3700 SUBCLASSES (8).....	15
MO-3700 SUBCLASSES (9).....	17
MO-3700 SUBCLASSES (10).....	19
MO-3700 SUBCLASSES (11).....	21
HOW TO MAKE USE OF THIS PARTS LIST	23

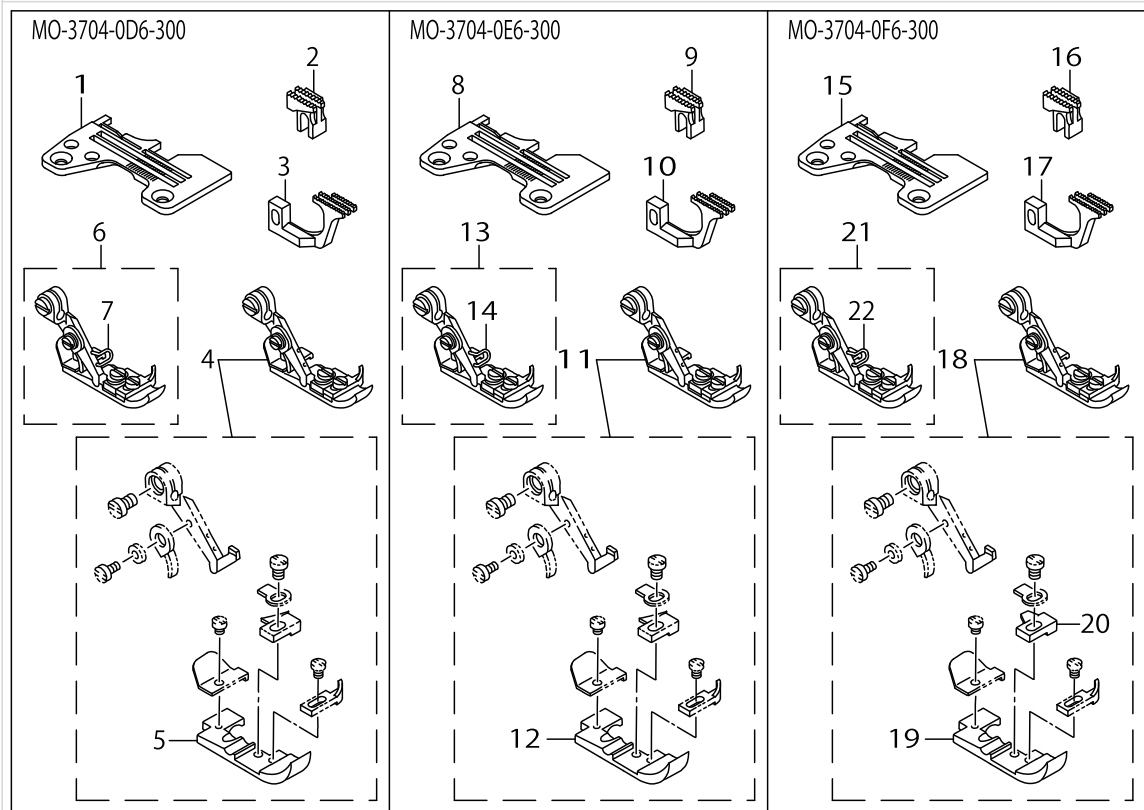
MO-3700 SUBCLASSES (1)



MO-3700 SUBCLASSES (1)

No.	Parts No.	Parts name	Remarks	Level	Cons	Qty
1	11888609	UPPER SPREADER				1
2	SS6090630SP	SCREW 9/64-40 L=6				1
3	SS7110710SL	SCREW 11/64-40 L=7.0				1
4	R4200J0DD00	THROAT PLATE				1
5	R4200J0FD00	THROAT PLATE				1
6	11876257	PRESSER FOOT ASM.				1
7	B1509804C0A	STITCH TONGUE		*		1
8	11876265	PRESSER FOOT ASM.	FOR EXPORT			1
9	11820701	FINGER GUARD		*		1
10	R4200J0GD00	THROAT PLATE				1
11	11876257	PRESSER FOOT ASM.				1
12	B1509804C0A	STITCH TONGUE		*		1
13	11876265	PRESSER FOOT ASM.	FOR EXPORT			1
14	11820701	FINGER GUARD		*		1

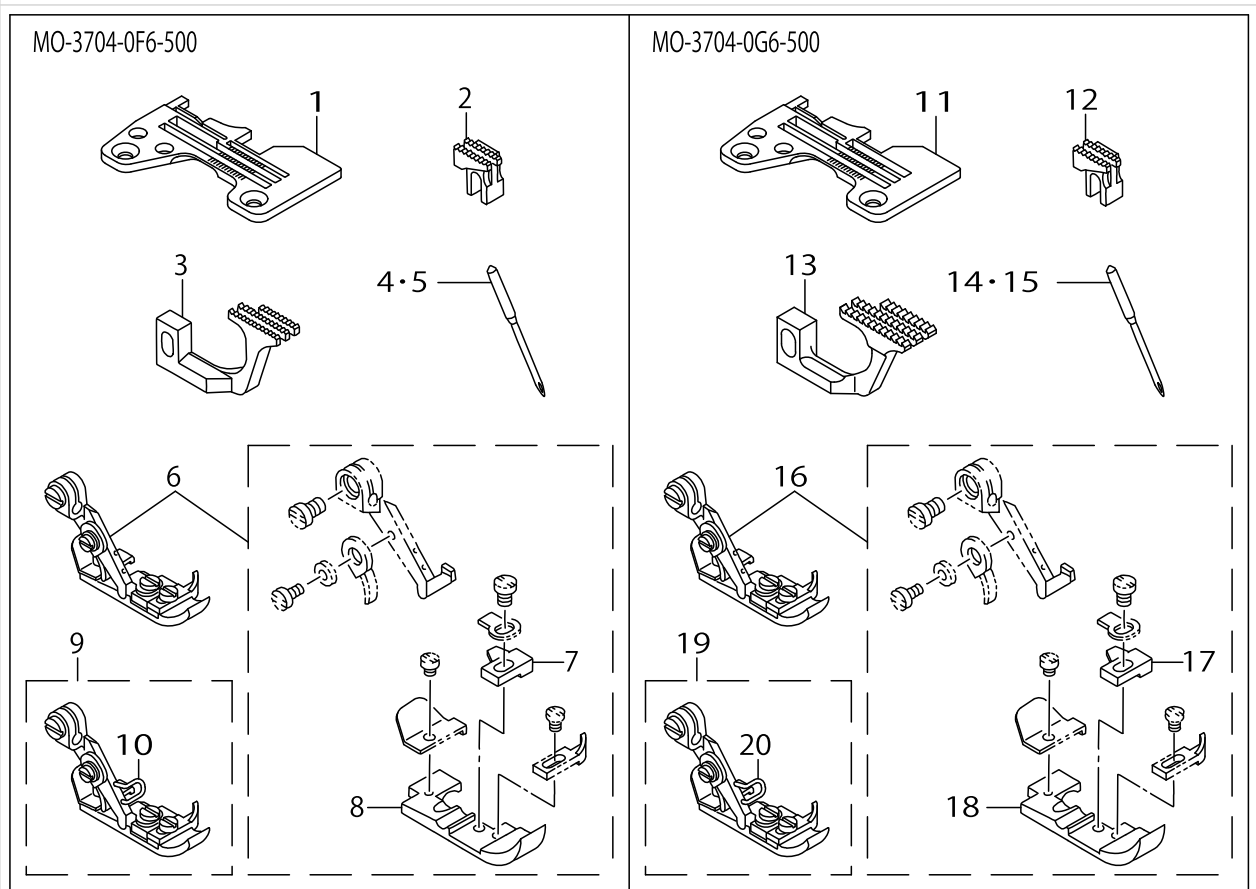
MO-3700 SUBCLASSES (2)



MO-3700 SUBCLASSES (2)

No.	Parts No.	Parts name	Remarks	Level	Cons	Qty
1	R4300J0DE00	THROAT PLATE				1
2	11882206	MAIN FEED DOG				1
3	11885100	DIFFERENTIAL FEED DOG				1
4	11876356	PRESSER FOOT ASM.				1
5	11873007	PRESSER FOOT		*		1
6	11876364	PRESSER FOOT ASM.	FOR EXPORT			1
7	11820701	FINGER GUARD		*		1
8	R4300J0EE00	THROAT PLATE				1
9	11882206	MAIN FEED DOG				1
10	11885100	DIFFERENTIAL FEED DOG				1
11	11876356	PRESSER FOOT ASM.				1
12	11873007	PRESSER FOOT		*		1
13	11876364	PRESSER FOOT ASM.	FOR EXPORT			1
14	11820701	FINGER GUARD		*		1
15	R4300J0FE00	THROAT PLATE				1
16	11882206	MAIN FEED DOG				1
17	11885100	DIFFERENTIAL FEED DOG				1
18	11876455	PRESSER FOOT ASM.				1
19	11873007	PRESSER FOOT		*		1
20	B1509804C0A	STITCH TONGUE		*		1
21	11876463	PRESSER FOOT ASM.	FOR EXPORT			1
22	11820701	FINGER GUARD		*		1

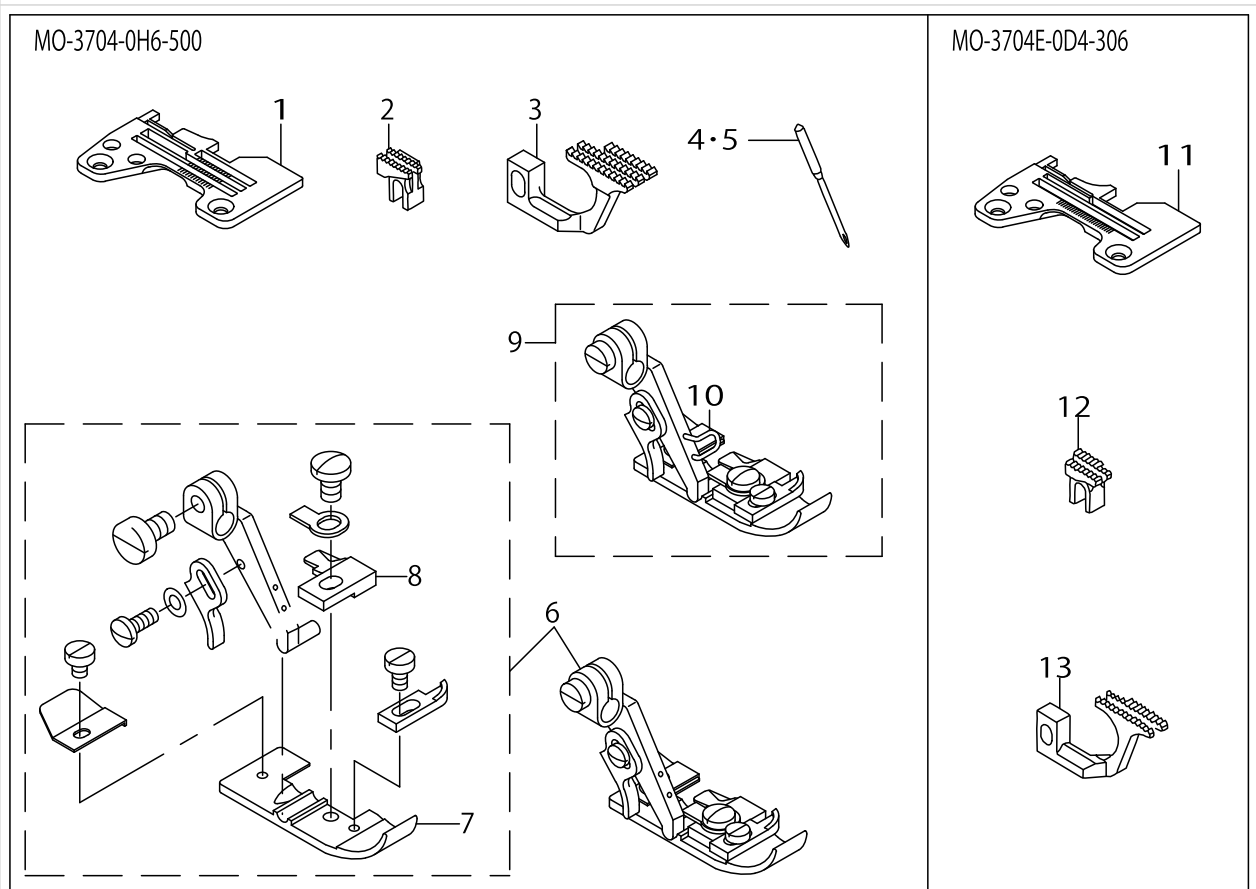
MO-3700 SUBCLASSES (3)



MO-3700 SUBCLASSES (3)

No.	Parts No.	Parts name	Remarks	Level	Cons	Qty
1	R4300J0FE0B	THROAT PLATE				1
2	11883303	MAIN FEED DOG				1
3	11885605	DIFFERENTIAL FEED DOG				1
4	MDC270B1400	NEEDLE DCX27 #14				1
5	MC033600900	NEEDLE B-27 90	FOR JE			1
6	11876455	PRESSER FOOT ASM.				1
7	B1509804C0A	STITCH TONGUE		*		1
8	11873007	PRESSER FOOT		*		1
9	11876463	PRESSER FOOT ASM.	FOR EXPORT			1
10	11820701	FINGER GUARD		*		1
11	R4300J0GE00	THROAT PLATE				1
12	11883303	MAIN FEED DOG				1
13	12171708	DIFFERENTIAL FEED DOG				1
14	MDC270B1400	NEEDLE DCX27 #14				1
15	MC033600900	NEEDLE B-27 90	FOR JE			1
16	11876455	PRESSER FOOT ASM.				1
17	B1509804C0A	STITCH TONGUE		*		1
18	11873007	PRESSER FOOT		*		1
19	11876463	PRESSER FOOT ASM.	FOR EXPORT			1
20	11820701	FINGER GUARD		*		1

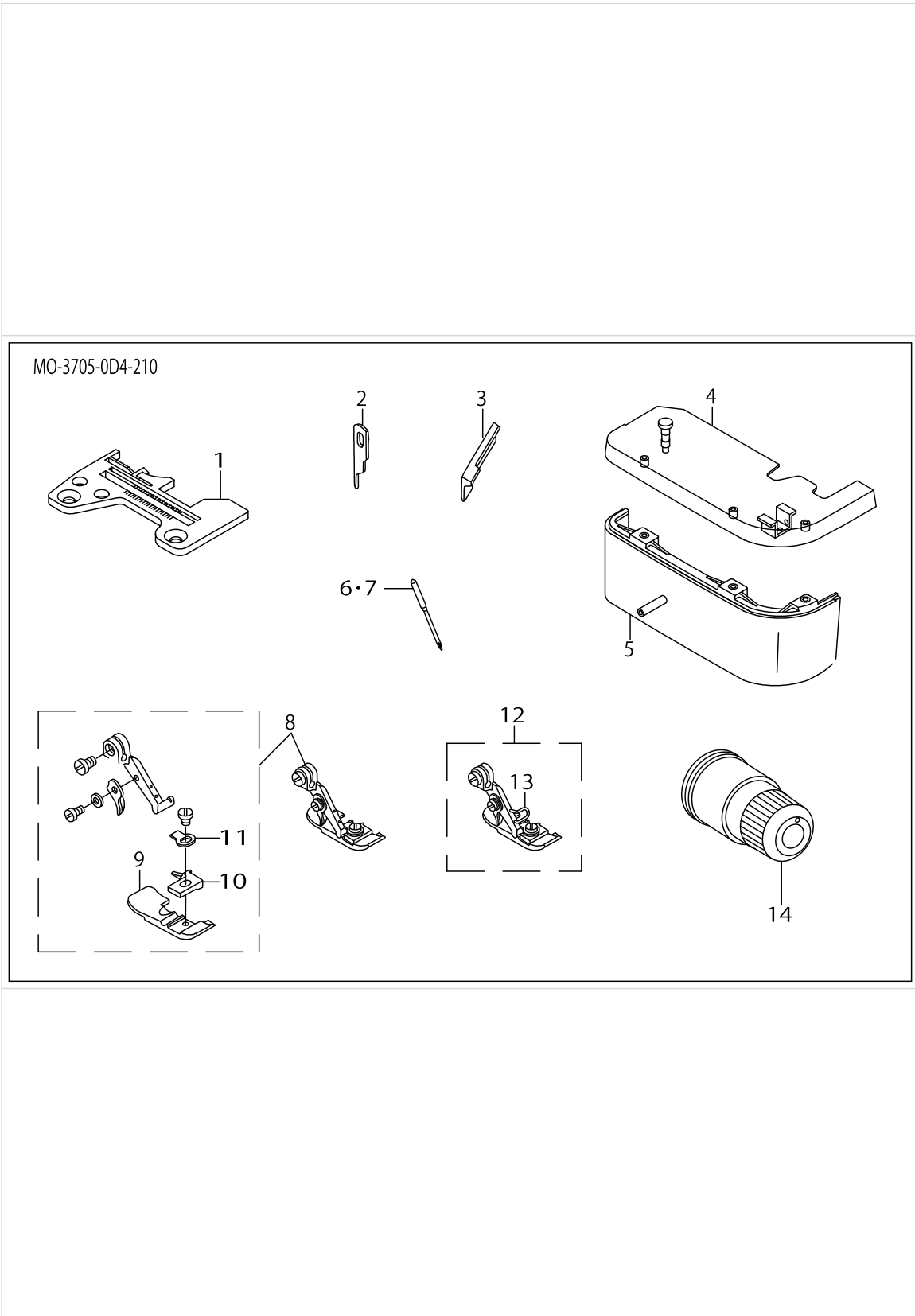
MO-3700 SUBCLASSES (4)



MO-3700 SUBCLASSES (4)

No.	Parts No.	Parts name	Remarks	Level	Cons	Qty
1	R4300JOHE00	THROAT PLATE				1
2	11883303	MAIN FEED DOG				1
3	12171708	DIFFERENTIAL FEED DOG				1
4	MDC270B1400	NEEDLE DCX27 #14				1
5	MC033600900	NEEDLE B-27 90	FOR JE			1
6	12151254	PRESSER FOOT ASM.				1
7	12157806	PRESSER FOOT		*		1
8	12159307	STITCH TONGUE		*		1
9	12151262	PRESSER FOOT ASM.	FOR EXPORT			1
10	11820701	FINGER GUARD		*		1
11	R4200JODD0B	THROAT PLATE				1
12	11597101	MAIN FEED DOG				1
13	11886207	DIFFERENTIAL FEED DOG				1

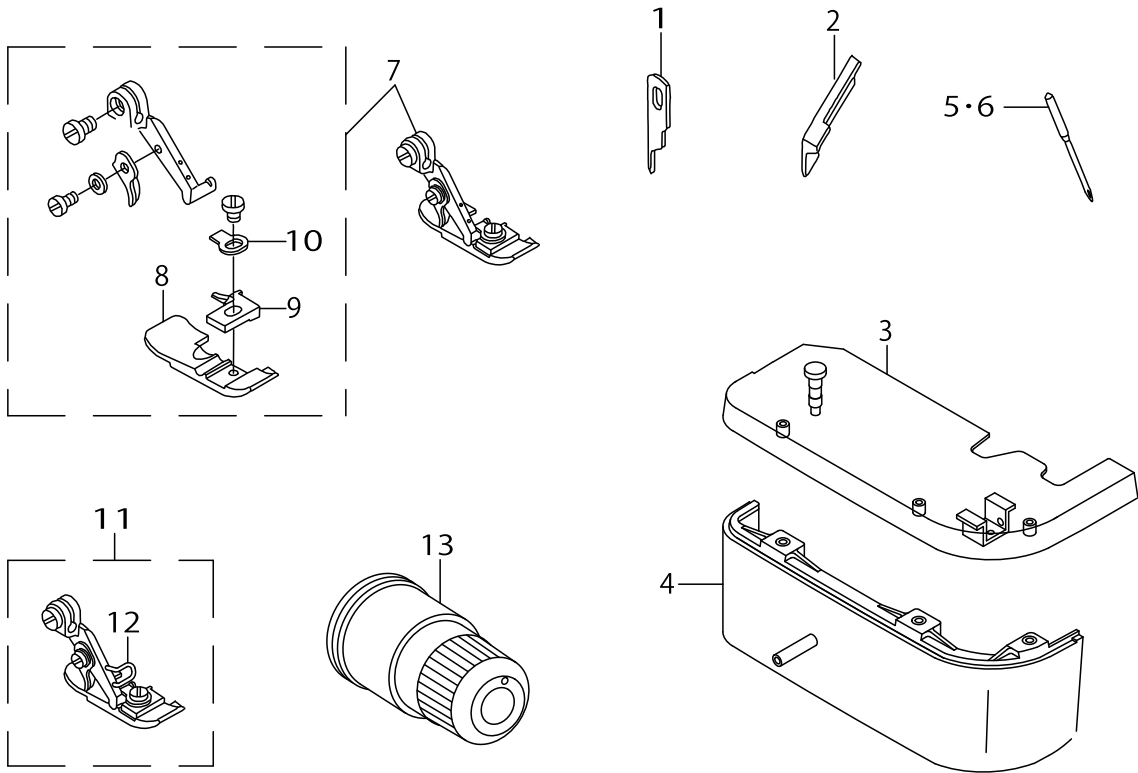
MO-3700 SUBCLASSES (5)



MO-3700 SUBCLASSES (5)

No.	Parts No.	Parts name	Remarks	Level	Cons	Qty
1	R4200J0DD00	THROAT PLATE				1
2	11845708	KNIFE	FOR DOMESTIC USE			1
3	11845906	UPPER KNIFE	FOR EXPORT			1
4	12104659	CLOTH PLATE ASM.				1
5	12104709	CLOTH PLATE COVER				1
6	MDC270B0900	NEEDLE DCX27 #9				1
7	MC033600650	NEEDLE B-27 65	FOR JE			1
8	11992153	PRESSER FOOT ASM.				1
9	11992104	PRESSER FOOT		*		1
10	11874807	STITCH TONGUE		*		1
11	B1508804000	SPRING		*		1
12	11992161	PRESSER FOOT ASM.	FOR EXPORT			1
13	11820701	FINGER GUARD		*		1
14	12254850	THREAD TENSION SPRING COMPL.				1

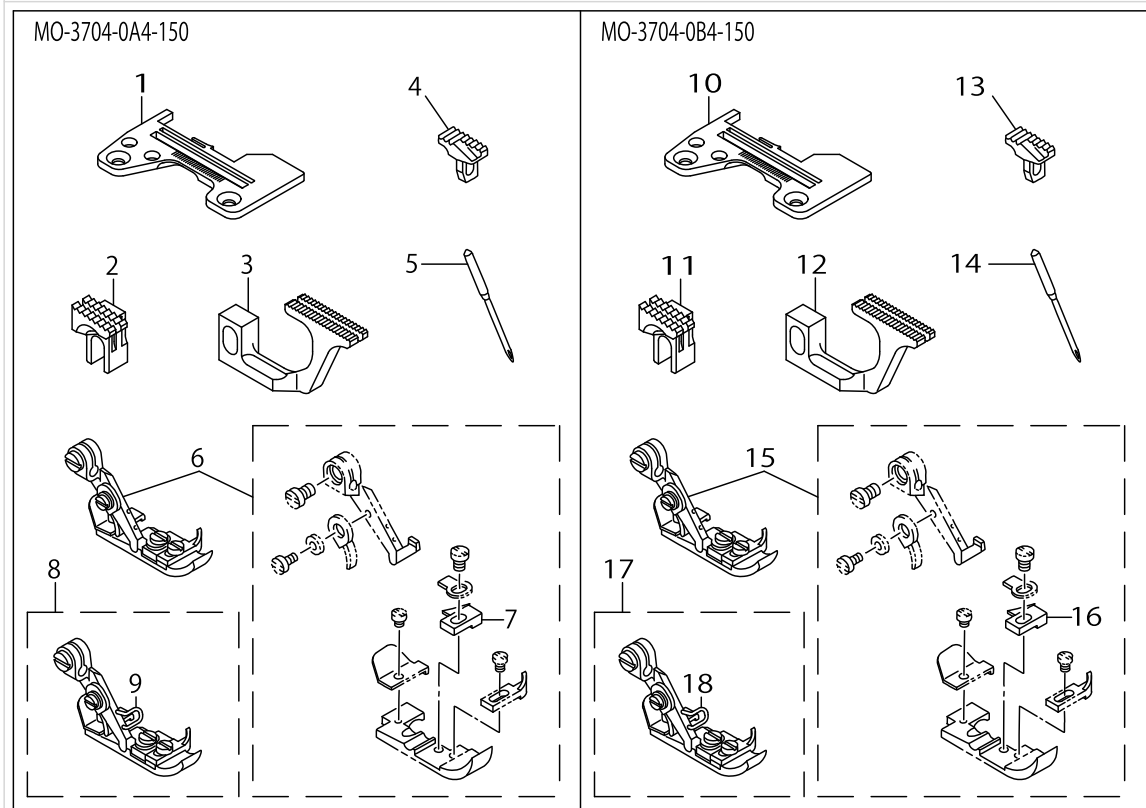
MO-3705-0E4-210



MO-3700 SUBCLASSES (6)

No.	Parts No.	Parts name	Remarks	Level	Cons	Qty
1	11845708	KNIFE	FOR DOMESTIC USE			1
2	11845906	UPPER KNIFE	FOR EXPORT			1
3	12104659	CLOTH PLATE ASM.				1
4	12104709	CLOTH PLATE COVER				1
5	MDC270B0900	NEEDLE DCX27 #9				1
6	MC033600650	NEEDLE B-27 65	FOR JE			1
7	11992153	PRESSER FOOT ASM.				1
8	11992104	PRESSER FOOT		*		1
9	11874807	STITCH TONGUE		*		1
10	B1508804000	SPRING		*		1
11	11992161	PRESSER FOOT ASM.	FOR EXPORT			1
12	11820701	FINGER GUARD		*		1
13	12254850	THREAD TENSION SPRING COMPL.				1

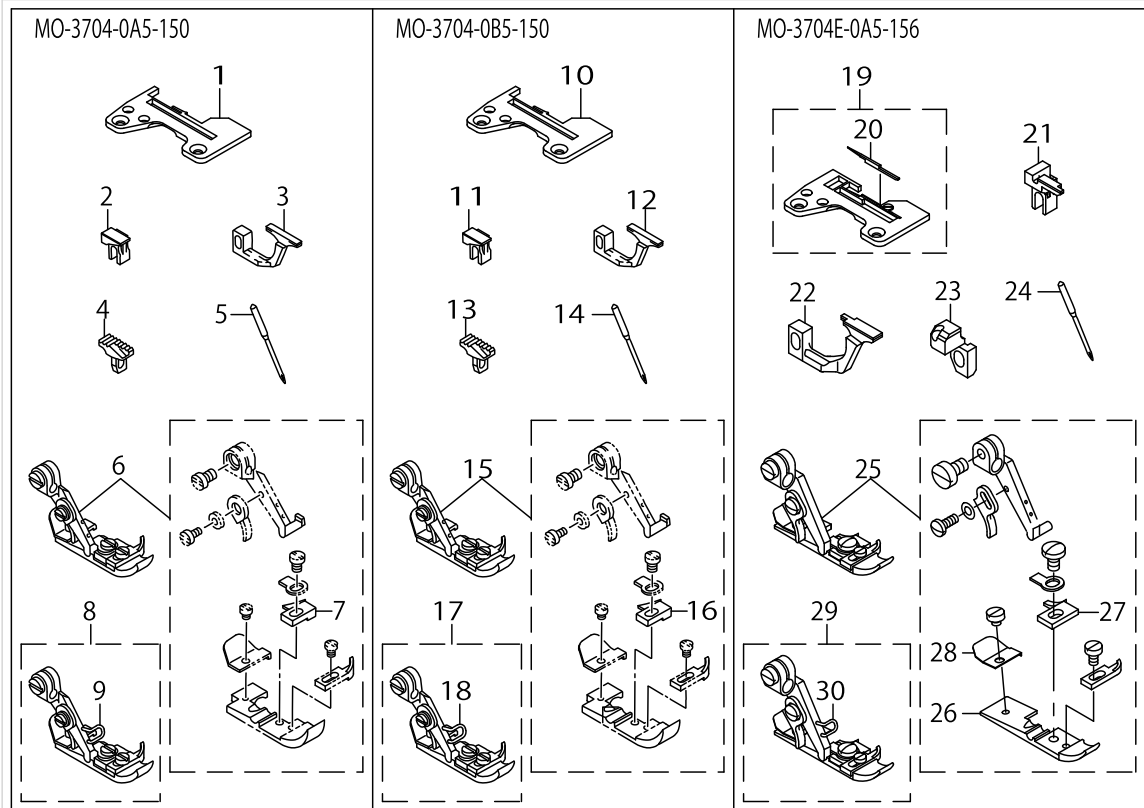
MO-3700 SUBCLASSES (7)



MO-3700 SUBCLASSES (7)

No.	Parts No.	Parts name	Remarks	Level	Cons	Qty
1	R4200J0AC00	THROAT PLATE				1
2	11898905	MAIN FEED DOG				1
3	11899002	DEFERENTIAL FEED DOG				1
4	11887007	AUXILIARY FEED DOG				1
5	MDC100B0800	NEEDLE DCX1 #8				1
6	11876059	PRESSER FOOT ASM.				1
7	11792900	STITCH TONGUE		*		1
8	11876067	PRESSER FOOT ASM.	FOR EXPORT			1
9	11820701	FINGER GUARD		*		1
10	R4200J0BC00	THROAT PLATE				1
11	11898905	MAIN FEED DOG				1
12	11899002	DEFERENTIAL FEED DOG				1
13	11887007	AUXILIARY FEED DOG				1
14	MDC100B0800	NEEDLE DCX1 #8				1
15	11876059	PRESSER FOOT ASM.				1
16	11792900	STITCH TONGUE		*		1
17	11876067	PRESSER FOOT ASM.	FOR EXPORT			1
18	11820701	FINGER GUARD		*		1

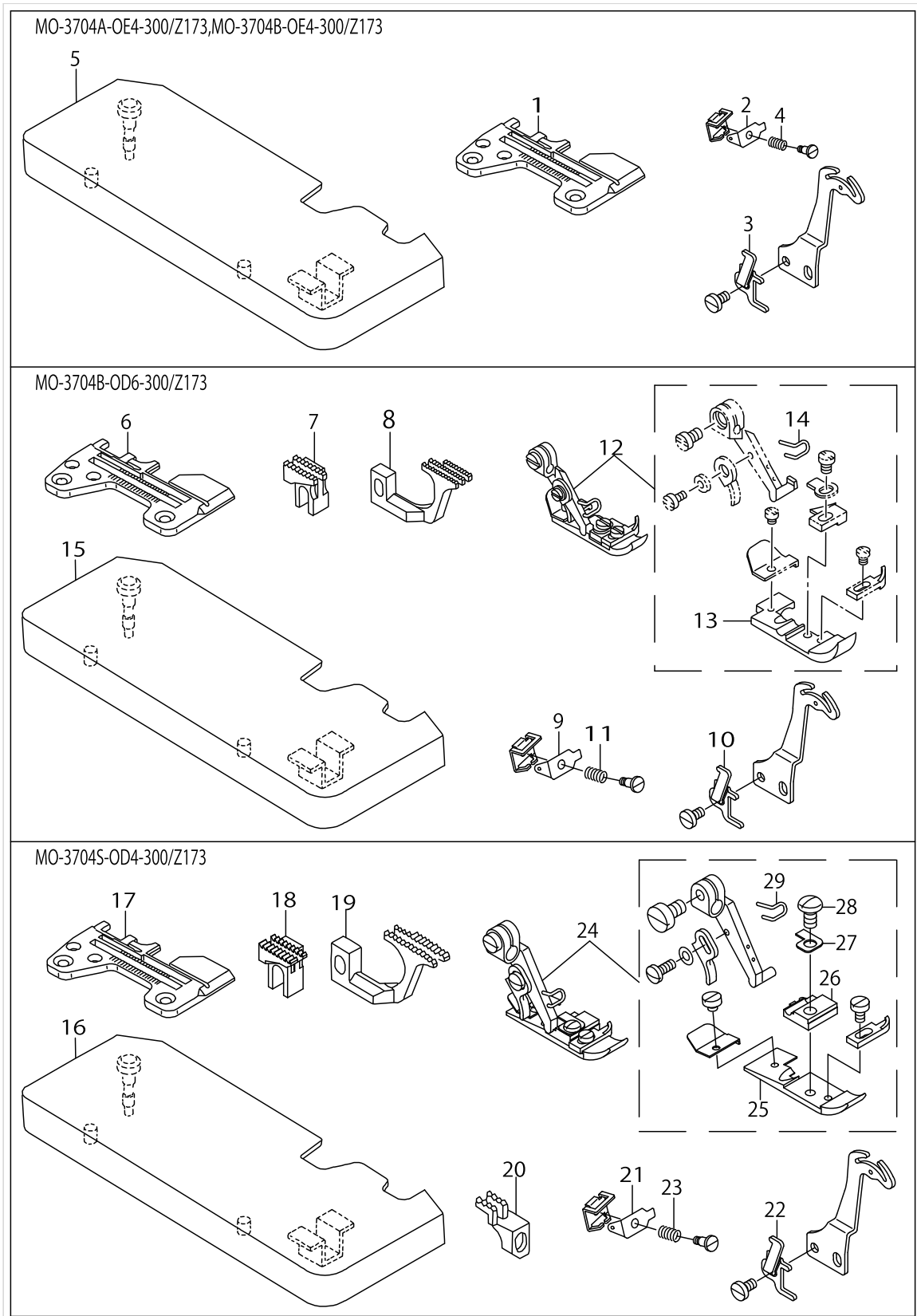
MO-3700 SUBCLASSES (8)



MO-3700 SUBCLASSES (8)

No.	Parts No.	Parts name	Remarks	Level	Cons	Qty
1	R4100J0AC00	THROAT PLATE				1
2	11882008	MAIN FEED DOG				1
3	11885001	DIFFERENTIAL FEED DOG				1
4	11887007	AUXILIARY FEED DOG				1
5	MDC100B0800	NEEDLE DCX1 #8				1
6	11876059	PRESSER FOOT ASM.				1
7	11792900	STITCH TONGUE		*		1
8	11876067	PRESSER FOOT ASM.	FOR EXPORT			1
9	11820701	FINGER GUARD		*		1
10	R4100J0BC00	THROAT PLATE				1
11	11882008	MAIN FEED DOG				1
12	11885001	DIFFERENTIAL FEED DOG				1
13	11887007	AUXILIARY FEED DOG				1
14	MDC100B0800	NEEDLE DCX1 #8				1
15	11876059	PRESSER FOOT ASM.				1
16	11792900	STITCH TONGUE		*		1
17	11876067	PRESSER FOOT ASM.	FOR EXPORT			1
18	11820701	FINGER GUARD		*		1
19	R4100J0AC0A	THROAT PLATE				1
20	11982907	THROAT PLATE HOOK		*		1
21	11982600	MAIN FEED DOG				1
22	11982709	DIFFERENTIAL FEED DOG				1
23	11982808	AUXILIARY FEED DOG				1
24	MDC100B0800	NEEDLE DCX1 #8				1
25	11982451	PRESSER FOOT ASM.				1
26	11982402	PRESSER FOOT		*		1
27	11982501	STITCH TONGUE		*		1
28	11898608	STOPPER		*		1
29	11982469	PRESSER FOOT ASM.	FOR EXPORT			1
30	11820701	FINGER GUARD		*		1

MO-3700 SUBCLASSES (9)

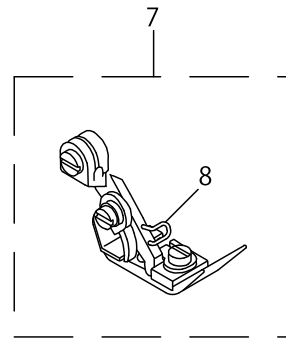
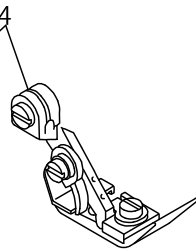
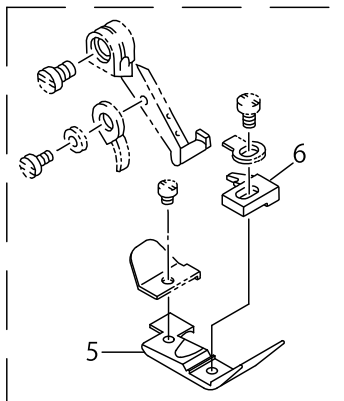
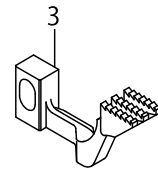
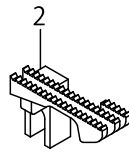
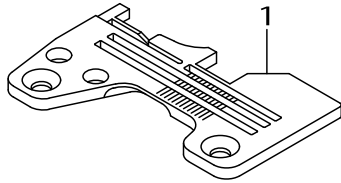


MO-3700 SUBCLASSES (9)

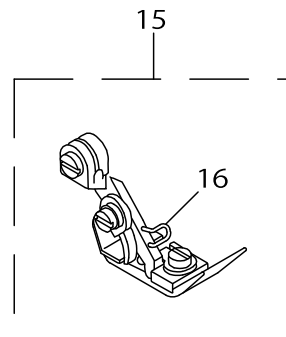
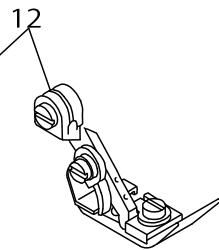
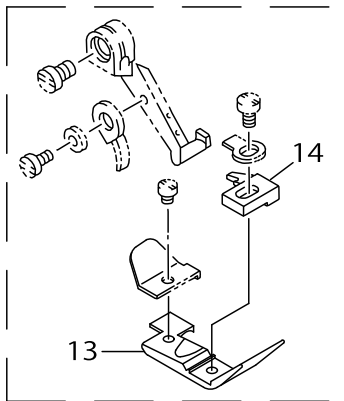
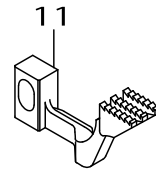
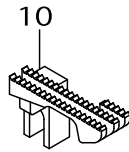
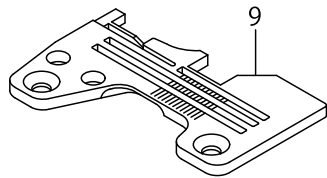
No.	Parts No.	Parts name	Remarks	Level	Cons	Qty
1	R4200J2ED00	THROAT PLATE				1
2	12112504	NEEDLE THREAD PRESSER PLATE C				1
3	12112603	DIFFERENTIAL FEED CAM				1
4	12112702	NEEDLE THREAD PRESSER SPRING B				1
5	11948783	CLOTH PLATE ASM.				1
6	R4200J2ED00	THROAT PLATE				1
7	11882206	MAIN FEED DOG				1
8	11885100	DIFFERENTIAL FEED DOG				1
9	12112504	NEEDLE THREAD PRESSER PLATE C				1
10	12112603	DIFFERENTIAL FEED CAM				1
11	12112702	NEEDLE THREAD PRESSER SPRING B				1
12	11876364	PRESSER FOOT ASM.				1
13	11873007	PRESSER FOOT		*		1
14	11820701	FINGER GUARD		*		1
15	11948783	CLOTH PLATE ASM.				1
16	11948783	CLOTH PLATE ASM.				1
17	R4200J2DD0B	THROAT PLATE				1
18	11597101	MAIN FEED DOG				1
19	11886207	DIFFERENTIAL FEED DOG				1
20	11988102	AUXILIARY FEED DOG				1
21	12112504	NEEDLE THREAD PRESSER PLATE C				1
22	12112603	DIFFERENTIAL FEED CAM				1
23	12112702	NEEDLE THREAD PRESSER SPRING B				1
24	11988052	PRESSER ASM.				1
25	11988003	PRESSER FOOT		*		1
26	11899507	STITCH TONGUE		*		1
27	11899408	SPRING		*		1
28	SS4080610SP	SCREW 1/8-44 L=6.4		*		1
29	11820701	FINGER GUARD		*		1

MO-3700 SUBCLASSES (10)

MO-3704-OF6-320/S160

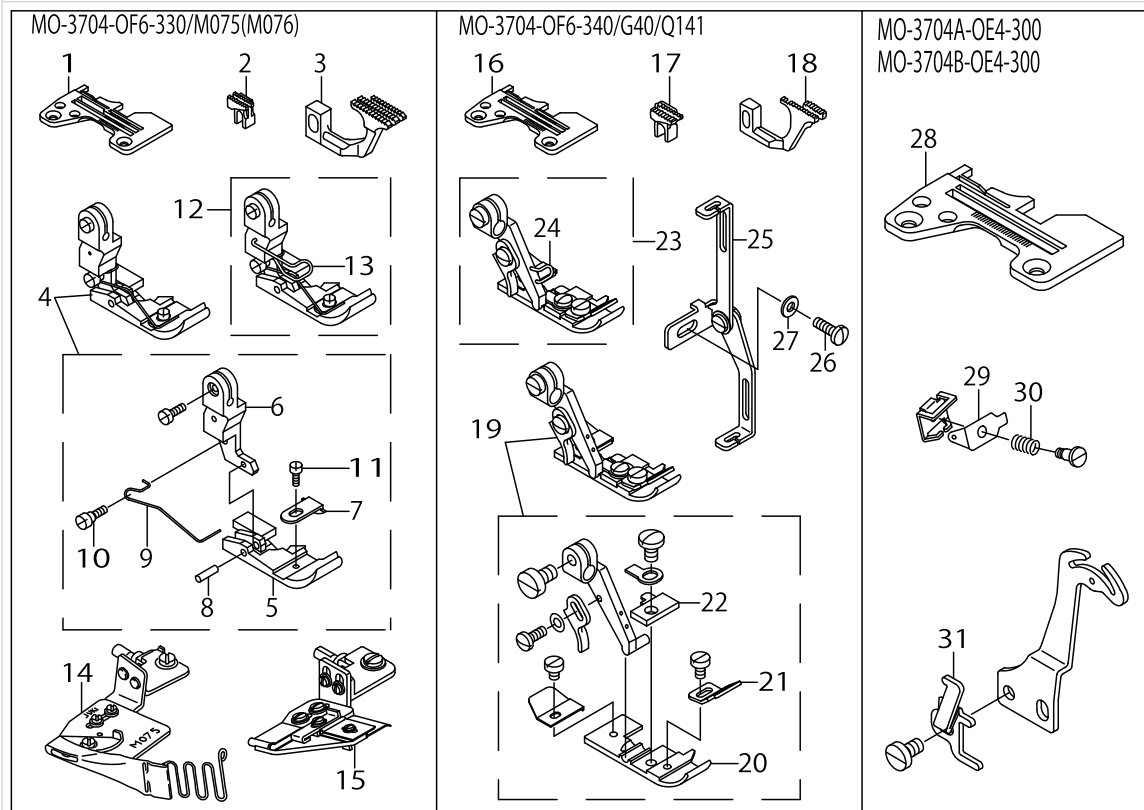


MO-3704-OF6-320/S162



MO-3700 SUBCLASSES (10)

No.	Parts No.	Parts name	Remarks	Level	Cons	Qty
1	R4300J0FE0A	THROAT PLATE				1
2	11883402	MAIN FEED DOG				1
3	12171807	DIFFERENTIAL FEED DOG				1
4	11974250	PRESSER FOOT ASM.				1
5	11974102	PRESSER FOOT		*		1
6	B150981400P	STITCH TONGUE		*		1
7	11974268	PRESSER FOOT ASM.	FOR EXPORT			1
8	11820701	FINGER GUARD		*		1
9	R4300J0FE0A	THROAT PLATE				1
10	11883402	MAIN FEED DOG				1
11	12171807	DIFFERENTIAL FEED DOG				1
12	11879350	PRESSER FOOT ASM.				1
13	11974250	PRESSER FOOT ASM.		*		1
14	B150981400P	STITCH TONGUE		*		1
15	11879368	PRESSER FOOT ASM.	FOR EXPORT			1
16	11820701	FINGER GUARD		*		1



MO-3700 SUBCLASSES (11)

No.	Parts No.	Parts name	Remarks	Level	Cons	Qty
1	R4300J0FE0B	THROAT PLATE				1
2	11882206	MAIN FEED DOG				1
3	11995107	DIFFERENTIAL FEED DOG				1
4	11994951	PRESSER ASM.				1
5	11994902	PRESSER FOOT		*		1
6	11872405	PRESSER FOOT HINGE		*		1
7	11995008	BRACKET		*		1
8	B1511357000	PIN		*		1
9	11892106	PRESSER SPRING		*		1
10	SD0370401SP	HINGE SCREW D= 3.70 H= 4.0		*		1
11	SS6060340SP	SCREW 3/32-56 L= 2.5		*		1
12	11994969	PRESSER FOOT ASM.	FOR EXPORT			1
13	11894706	FINGER GUARD		*		1
14	MAM0750J0A0	PIPING FOLDER ASM. 9MM				1
15	MAM0760N0A0	PIPING GUIDE ASM. 8-13MM	SPECIAL ORDER PARTS			1
16	R4300J0FE00	THROAT PLATE				1
17	11949807	MAIN FEED DOG				1
18	11949906	DIFFERENTIAL FEED DOG				1
19	12151353	TAPE PRESSER ASM.				1
20	12158002	PRESSER FOOT		*		1
21	12160909	TAPE GUIDE		*		1
22	B1509804C0B	STITCH TONGUE		*		1
23	12151361	PRESSER FOOT ASM.	FOR EXPORT			1
24	11820701	FINGER GUARD		*		1
25	MAQ141000A0	TAPE GUIDE ASM.				1
26	SS7091110TP	SCREW 9/64-40 L=10.5				1
27	WP0371016SD	WASHER 3.7X8X1				1
28	R4200J0ED0A	THROAT PLATE				1
29	12112504	NEEDLE THREAD PRESSER PLATE C				2
30	12112603	DIFFERENTIAL FEED CAM				1
31	12112702	NEEDLE THREAD PRESSER SPRING B				2

HOW TO MAKE USE OF THIS PARTS LIST

1.As to "#01" and "#02" refer to the "Note" given at the bottom of the respective pages.

2.Codes on the "Qty" column

- Each numeral indicates the number of parts required.
- "0.1" and "2.5" indicate the length (in meters) of the respective parts.

3.Parentheses mean that the corresponding part is a subpart that constructs an assembly part.

4.Dotted lines on the Figures indicate assembly parts.

1. リストページの# 0 1、# 0 2の印は、ページ下の"注記"の説明を参照下さい。
2. 数量欄の数字は、個数を表し、0. 1、2. 5等の数値は、長さ（単位メートル）を表します。
3. 数量欄の（ ）は、組部品を構成している子部品であることを意味します。
4. イラストページの-----枠は、組構成であることを意味します。

NUMERICAL INDEX OF PARTS

PART NO	PAGE	REF NO.	PART NO	PAGE	REF NO.	PART NO	PAGE	REF NO.
11597101	8	12	11883303	8	2	11995107	22	3
11597101	18	18	11883402	20	10	12104659	10	4
11792900	14	16	11885001	16	12	12104659	12	3
11792900	16	16	11885100	4	17	12104709	10	5
11820701	2	14	11885100	18	8	12104709	12	4
11820701	4	22	11885605	6	3	12112504	18	21
11820701	6	20	11886207	8	13	12112504	22	29
11820701	8	10	11886207	18	19	12112603	18	22
11820701	10	13	11887007	14	13	12112603	22	30
11820701	12	12	11887007	16	13	12112702	18	23
11820701	14	18	11888609	2	1	12112702	22	31
11820701	16	30	11892106	22	9	12151254	8	6
11820701	18	29	11894706	22	13	12151262	8	9
11820701	20	16	11898608	16	28	12151353	22	19
11820701	22	24	11898905	14	11	12151361	22	23
11845708	10	2	11899002	14	12	12157806	8	7
11845708	12	1	11899408	18	27	12158002	22	20
11845906	10	3	11899507	18	26	12159307	8	8
11845906	12	2	11948783	18	16	12160909	22	21
11872405	22	6	11949807	22	17	12171708	6	13
11873007	4	19	11949906	22	18	12171708	8	3
11873007	6	18	11974102	20	5	12171807	20	11
11873007	18	13	11974250	20	13	12254850	10	14
11874807	10	10	11974268	20	7	12254850	12	13
11874807	12	9	11982402	16	26	B1508804000	10	11
11876059	14	15	11982451	16	25	B1508804000	12	10
11876059	16	15	11982469	16	29	B1509804C0A	2	12
11876067	14	17	11982501	16	27	B1509804C0A	4	20
11876067	16	17	11982600	16	21	B1509804C0A	6	17
11876257	2	11	11982709	16	22	B1509804C0B	22	22
11876265	2	13	11982808	16	23	B150981400P	20	14
11876356	4	11	11982907	16	20	B1511357000	22	8
11876364	4	13	11988003	18	25	MAM0750J0A0	22	14
11876364	18	12	11988052	18	24	MAM0760N0A0	22	15
11876455	4	18	11988102	18	20	MAQ141000A0	22	25
11876455	6	16	11992104	10	9	MC033600650	10	6·7
11876463	4	21	11992104	12	8	MC033600650	12	5·6
11876463	6	19	11992153	10	8	MC033600900	6	14·15
11879350	20	12	11992153	12	7	MC033600900	8	4·5
11879368	20	15	11992161	10	12	MDC100B0800	14	14
11882008	16	11	11992161	12	11	MDC100B0800	16	24
11882206	4	16	11994902	22	5	MDC270B0900	10	6·7
11882206	18	7	11994951	22	4	MDC270B0900	12	5·6
11882206	22	2	11994969	22	12	MDC270B1400	6	14·15
11883303	6	12	11995008	22	7	MDC270B1400	8	4·5

NUMERICAL INDEX OF PARTS

PART NO	PAGE	REF NO.
R4100J0AC00	16	1
R4100J0AC0A	16	19
R4100J0BC00	16	10
R4200J0AC00	14	1
R4200J0BC00	14	10
R4200J0DD00	2	4
R4200J0DD00	10	1
R4200J0DD0B	8	11
R4200J0ED0A	22	28
R4200J0FD00	2	5
R4200J0GD00	2	10
R4200J2DD0B	18	17
R4200J2ED00	18	6
R4300J0DE00	4	1
R4300J0EE00	4	8
R4300J0FE00	4	15
R4300J0FE00	22	16
R4300J0FE0A	20	9
R4300J0FE0B	6	1
R4300J0FE0B	22	1
R4300J0GE00	6	11
R4300J0HE00	8	1
SD0370401SP	22	10
SS4080610SP	18	28
SS6060340SP	22	11
SS6090630SP	2	2
SS7091110TP	22	26
SS7110710SL	2	3
WP0371016SD	22	27