

MODEL : MO-3704E/MO-3714E/MO-3716E

List No : 0987-04

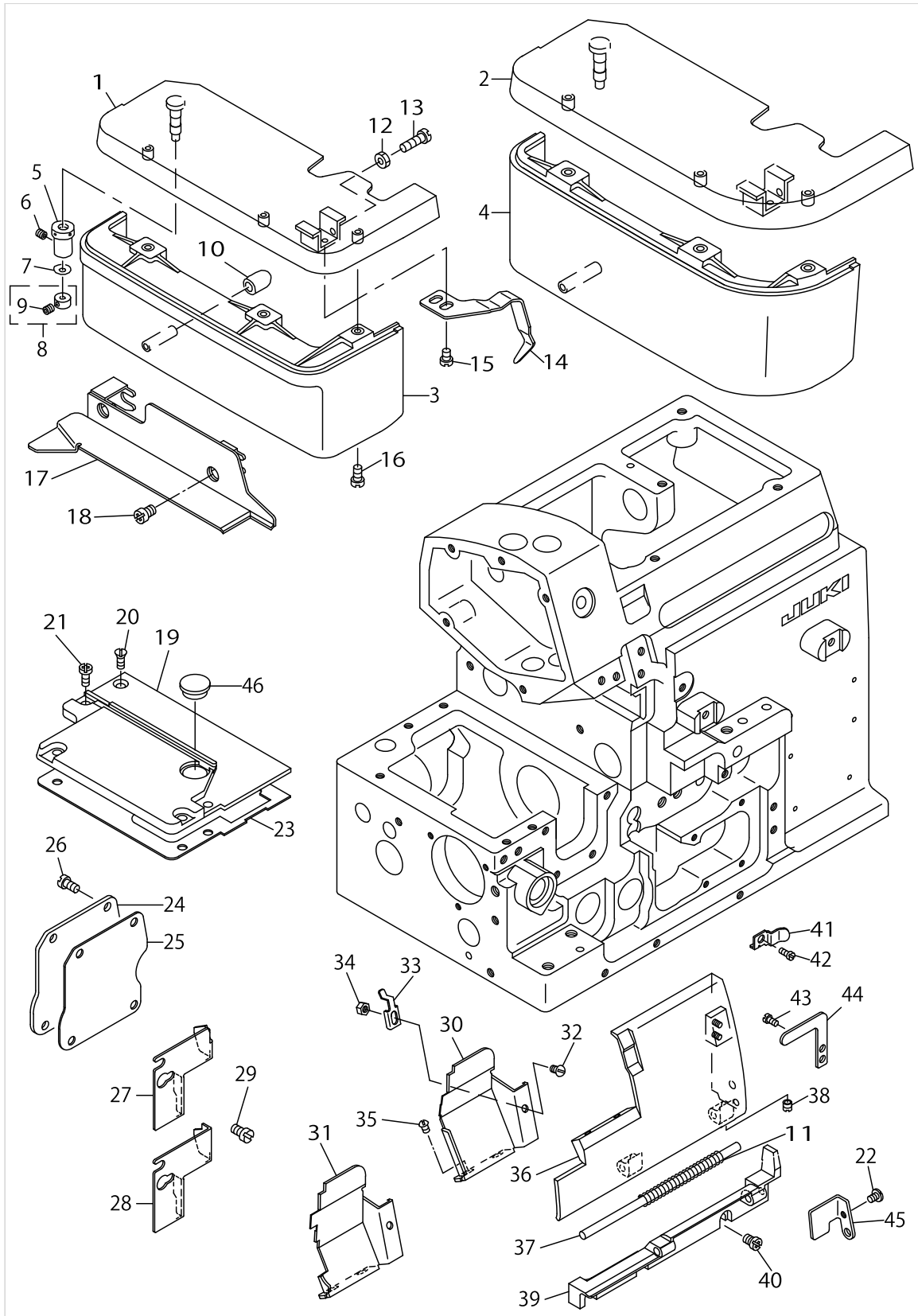
PARTS LIST

Published:09/10/2017

CONTENTS

FRAME COMPONENTS(1).....	1
FRAME COMPONENTS(2).....	3
CRANKSHAFT COMPONENTS	5
NEEDLE DRIVING SHAFT COMPONENTS	7
FEED MECHANISM COMPONENTS(1)	11
FEED MECHANISM COMPONENTS(2)	13
CHAIN LOOPER COMPONENTS(FOR MO-3716)	17
UPPER & LOWER LOOPER COMPONENTS	19
PRESSER FOOT COMPONENTS(1)	23
PRESSER FOOT COMPONENTS(2)	25
THREAD TENSION COMPONENTS	29
UPPER KNIFE COMPONENTS	33
LOWER KNIFE COMPONENTS.....	35
LUBRICATION MECHANISM COMPONENTS.....	39
SEMI-SUNKEN TYPE TABLE COMPONENTS.....	41
FULLY-SUNKEN TYPE TABLE COMPONENTS.....	43
THREAD STAND COMPONENTS.....	45
HOW TO MAKE USE OF THIS PARTS LIST	49

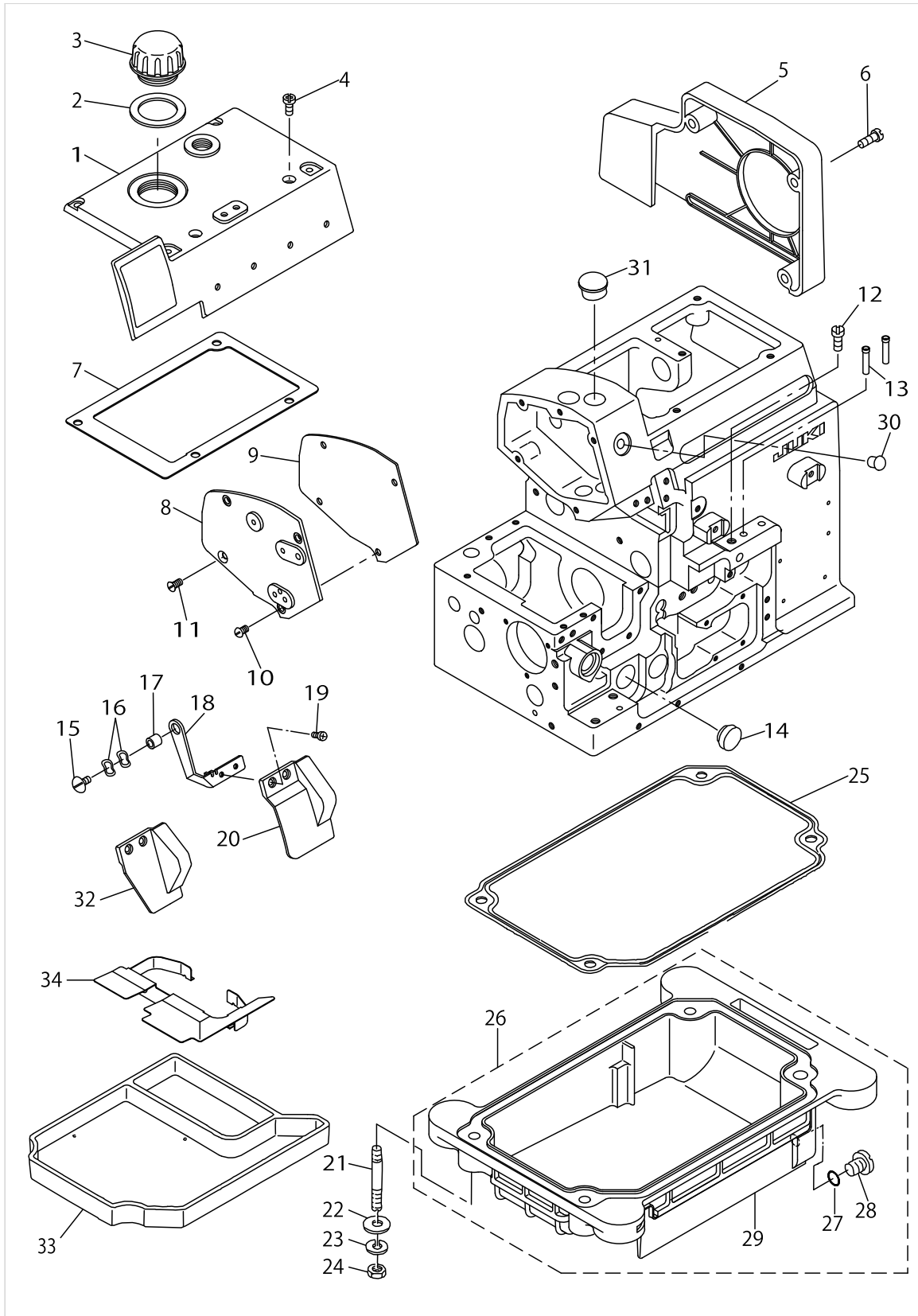
FRAME COMPONENTS(1)



FRAME COMPONENTS(1)

No.	Parts No.	Parts name	Remarks	Level	Cons	Qty
1	12104550	CLOTH PLATE ASM.	FOR MO-3716E			1
2	12104659	CLOTH PLATE ASM.	FOR MO-3704E,MO-3714E			1
3	11949104	CLOTH BASE COVER	FOR MO-3716E			1
4	12104709	CLOTH PLATE COVER	FOR MO-3704E,MO-3714E			1
5	11501301	ECCENTRIC BUSHING				1
6	SS8110410TP	SCREW 11/64-40 L= 3.5				1
7	WZ0420350KP	DISC SPRING				1
8	CS040051ASD	THRUST HOLDER D=4 W=5				1
9	SS8080322TP	SCREW 1/8-44 L=3.2		*		1
10	11802204	RUBBER PLUG				1
11	B1140716000	SPRING				1
12	NS6110420SP	NUT 11/64-40				1
13	SS6111440SP	SCREW 11/64-40 L=14.0				1
14	11810207	STOPPER				1
15	SS7110510SP	SCREW 11/64-40 L=5				2
16	SS4091015SP	SCREW 9/64-40 L=10				3
17	12101655	CLOTH PLATE SIDE COVER ASM.				1
18	SS4120615SP	SCREW 3/16-28 L=6				2
19	12250502	FEED MECHANISM COVER				1
20	SM1040801SC	SCREW M4X0.7 L=8				1
21	SM4040855SP	SCREW				4
22	SS7090610SP	SCREW 9/64-40 L=6				1
23	12250601	GASKET				1
24	11951100	COVER				1
25	11804309	GASKET				1
26	SM4040855SP	SCREW				4
27	12102307	CHIP GUARD COVER, LEFT	FOR MO-3704E,MO-3714E			1
28	12102406	CHIP GUARD COVER, LEFT	FOR MO-3716E			1
29	SS7110510SP	SCREW 11/64-40 L=5				2
30	12256707	CLOTH WASTE COVER	FOR MO-3704E,MO-3714E			1
31	12147807	CLOTH WASTE COVER	FOR MO-3716E			1
32	SS2090520SL	SCREW 9/64-40 L=5				1
33	12101515	CROTH WASTE COVER STOPPER				1
34	NS6090310SN	NUT 9/64-40				1
35	SS3090610SP	SCREW 9/64-40 L=6				2
36	12101309	LOOPER COVER				1
37	11803004	LOOPER COVER HINGE PIN				1
38	SS8110410TP	SCREW 11/64-40 L= 3.5				1
39	12101200	LOOPER COVER BRACKET				1
40	SM4041055SP	SCREW				3
41	12103404	LOOPER COVER PRESSER SPRING				1
42	SM4040655SP	SCREW M4 L=6				1
43	SS7090530SP	SCREW 9/64-40 L= 4.5				1
44	12103206	LOOPER COVER PRESSER PLATE				1
45	12101408	GUIDE PLATE				1
46	TA1250406R0	RUBBER PLUG D=12.5 L=4				1

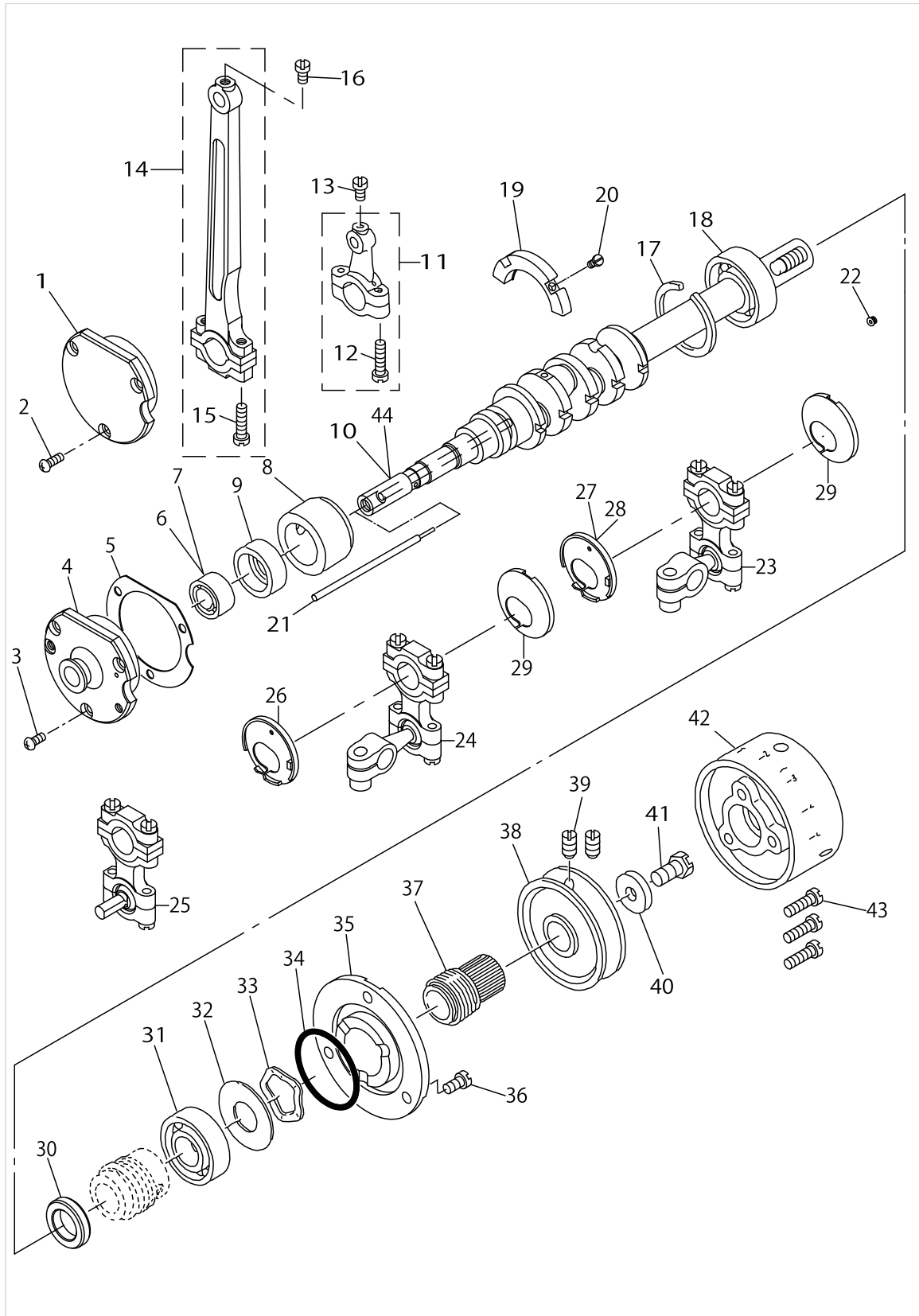
FRAME COMPONENTS(2)



FRAME COMPONENTS(2)

No.	Parts No.	Parts name	Remarks	Level	Cons	Qty
1	12250304	UPPER COVER				1
2	12100707	GASKET				1
3	12100608	OIL CAP				1
4	SM4051055SP	SCREW				6
5	12101903	BELT COVER				1
6	SS4151215SP	SCREW 15/64-28 L=12				3
7	12250403	UPPER COVER GASKET				1
8	12250205	SIDE COVER				1
9	12100301	SIDE COVER GASKET				1
10	SM4040855SP	SCREW				3
11	SM1040801SC	SCREW M4X0.7 L=8				1
12	SS9151210TP	SCREW 15/64-28 L=11.8				1
13	11805207	THREAD GUIDE, LARGE				2
14	TA1871602R0	RUBBER PLUG	FOR MO-3704E,MO-3714E			1
15	SS5110710SP	SCREW 11/64-40 L=7				1
16	WZ0850302K0	WAVED WASHER 8.5X12.5X0.3				2
17	B3013141H0A	WASHER				1
18	12102000	SAFETY PLATE BRACKET				1
19	SS7090611SL	SCREW 9/64-40 L=6.1				2
20	12102109	SAFETY PLATE	FOR MO-3716E			1
21	11503703	SCREW STUD				4
22	WP0751576SD	WASHER 7.5X19X1.5				4
23	WS0822010KP	SPRING WASHER 8.2X15X2				4
24	NS6680410SP	NUT 9/32-28				4
25	11503901	OIL RESERVOIR GASKET				1
26	11503851	OIL RESERVOIR ASM.				1
27	RO074240100	RUBBER RING		*		1
28	SM0081001SD	SCREW		*		1
29	11503810	OIL RESERVOIR		*		1
30	TA0750704R0	RUBBER PLUG				1
31	TA1701107R0	RUBBER PLUG				1
32	12104907	SAFETY PLATE	FOR MO-3704E,MO-3714E			1
33	11841350	FILTER BASE ASM.				1
34	11842804	SHELTER PLATE				1

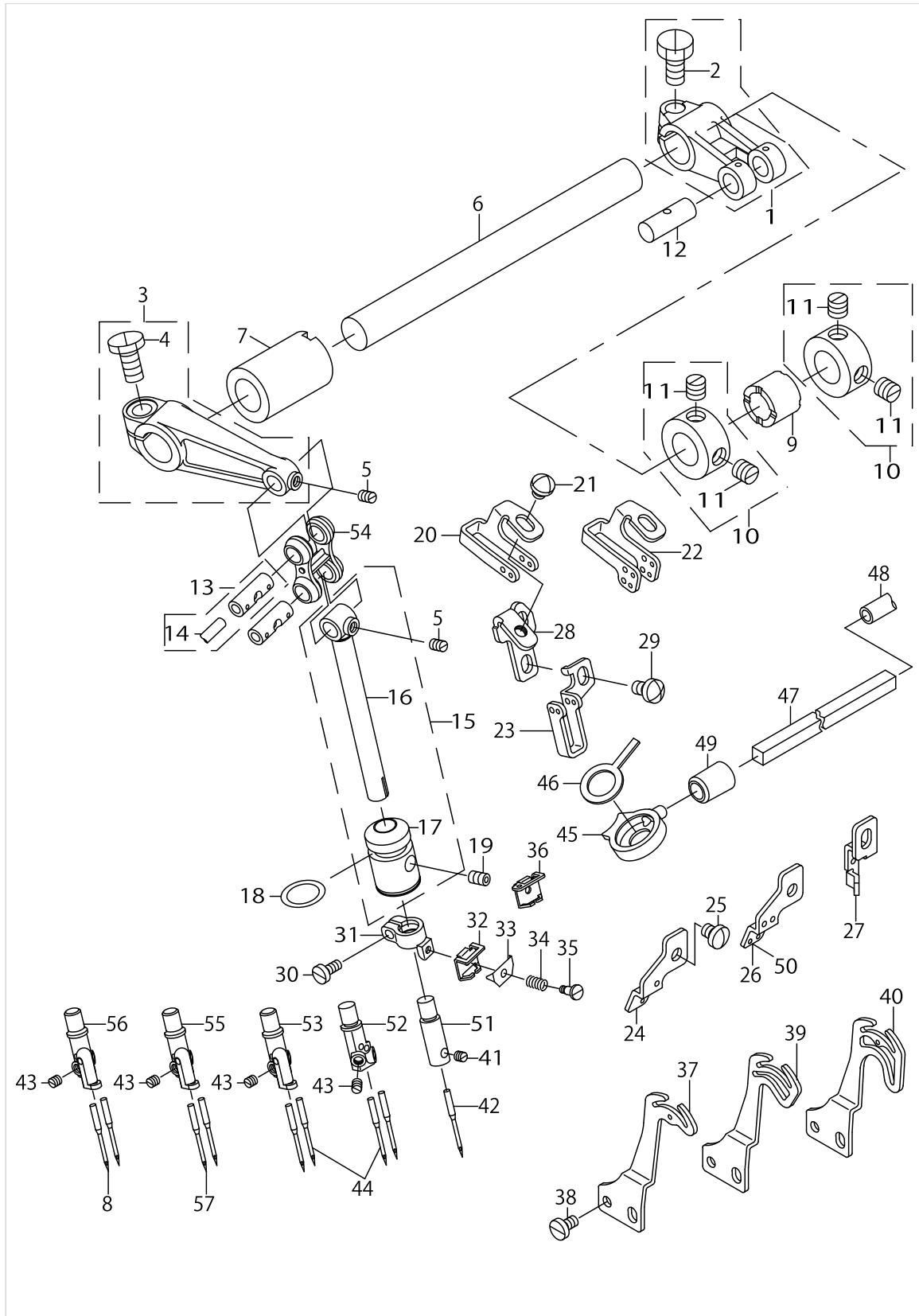
CRANKSHAFT COMPONENTS



CRANKSHAFT COMPONENTS

No.	Parts No.	Parts name	Remarks	Level	Cons	Qty
1	12108213	CRANKSHAFT BUSHING D	FOR MO-3704E,MO-3714E			1
2	SM4040855SP	SCREW	FOR MO-3704E,MO-3714E			3
3	SM4040855SP	SCREW	FOR MO-3716E			3
4	12108304	CRANKSHAFT BUSHING D	FOR MO-3716E			1
5	12108403	GASKET				1
6	B1215804000	BALL BEARING D	FOR MO-3704E,MO-3714E			1
7	SB110000300	BALL BEARING	FOR MO-3716E			1
8	12108007	CRANKSHAFT BUSHING C				1
9	11650900	RUBBER CAP	FOR MO-3704E,MO-3714E			1
10	12107207	CRANKSHAFT	FOR MO-3704E,MO-3714E, MO-3716E-40K,MO-3716E-50K			1
11	12132155	KNIFE DRIVING ROD ASM.				1
12	SS7111810TP	SCREW 11/64-40 L=18		*		2
13	SS7110840SP	SCREW 11/64-40 L=7.8				1
14	12109153	CONNECTING ROD ASM.				1
15	SS7111810TP	SCREW 11/64-40 L=18		*		2
16	SS7110840SP	SCREW 11/64-40 L=7.8				1
17	B1212704000	BEARING RETAINER				1
18	B1211804000	BALL BEARING B				1
19	12107900	BALANCER				1
20	SS4080620TP	SCREW 1/8-44 L=6				2
21	12108106	OIL ADJUSTING BAR				1
22	SS5080212TP	SCREW 1/8-44 L=2				5
23	12122362	UPPER LOOPER ROD ASM.				1
24	12123360	LOWER LOOPER ROD ASM., A	FOR MO-3704E,MO-3714E			1
25	12120150	LOWER LOOPER ROD ASM., B	FOR MO-3716E			1
26	12124400	STOPPER (L)				2
27	12145108	LOOPER ROD STEADY REST	FOR MO-3716E-60K			2
28	12124400	STOPPER (L)				2
29	12124509	STOPPER (R)				2
30	12252508	THRUST COVER				1
31	B1211804000	BALL BEARING B				1
32	11510609	WASHER				1
33	WZ2640310KH	WAVED WASHER 26.4X33.9X3.5				1
34	RO347350100	RUBBER RING				1
35	12107702	THRUST HOLDER				1
36	SM4051055SP	SCREW				3
37	12280103	OIL SHIELD				1
38	11811205	HANDWHEEL A				1
39	SS8151150SP	SCREW 15/64-28 L=10.5				2
40	WP0764016SP	WASHER				1
41	SS9681610TP	SCREW 9/32-28 L=16				1
42	11956505	HANDWHEEL C				1
43	SS7111410SP	SCREW 11/64-40 L=14				3
44	12107306	CRANKSHAFT	FOR MO-3716E-60K			1

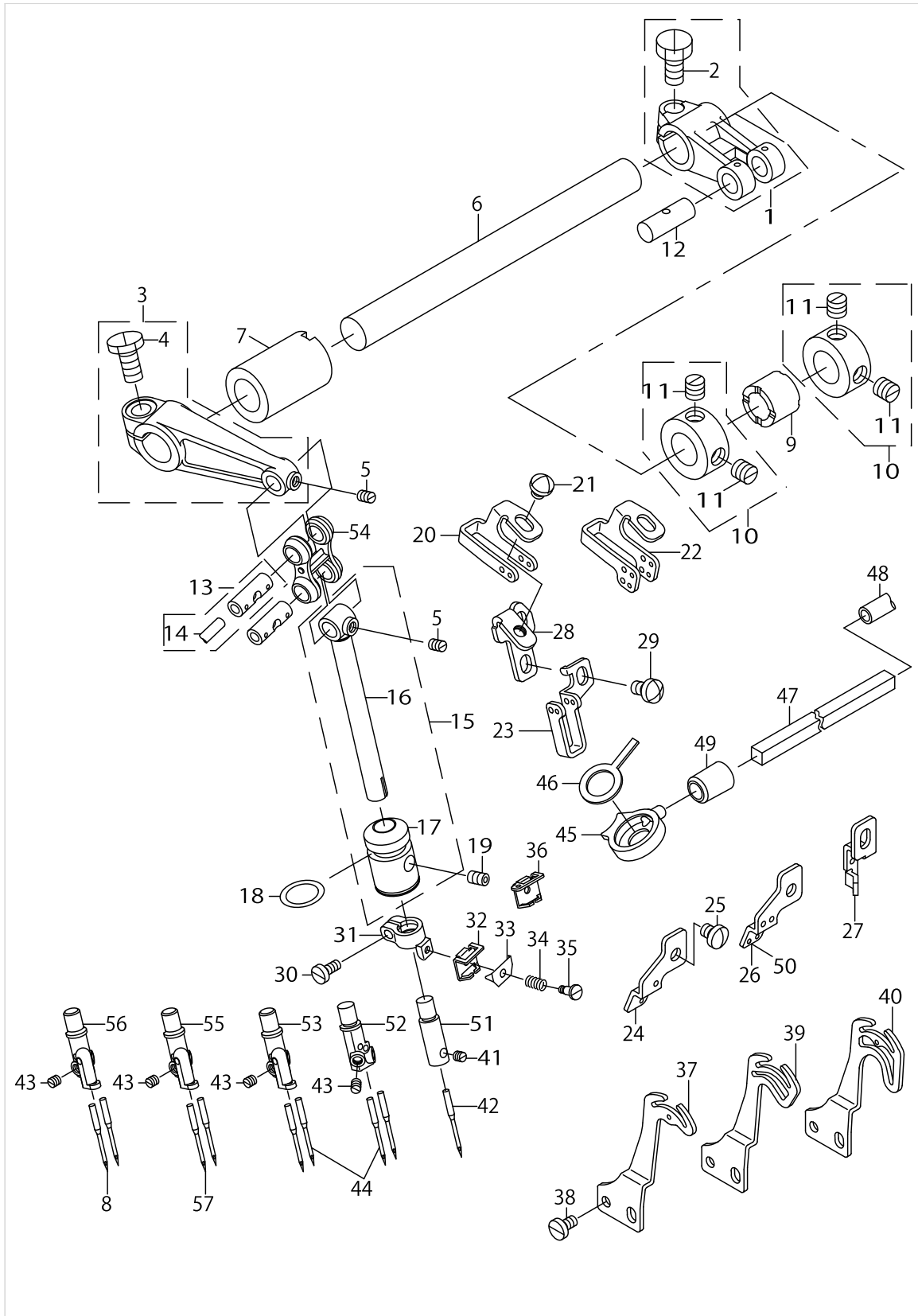
NEEDLE DRIVING SHAFT COMPONENTS



NEEDLE DRIVING SHAFT COMPONENTS

No.	Parts No.	Parts name	Remarks	Level	Cons	Qty
1	12109260	FEED FORKED CRANK ASM.				1
2	SM6061202TP	SCREW M6 L=12		*		1
3	12109666	NEEDLE DRIVING ARM ASM.				1
4	SM6061202TP	SCREW M6 L=12		*		1
5	SS8090530TP	SCREW 9/64-40 L= 5.0				2
6	12109302	NEEDLE DRIVING SHAFT				1
7	12252805	BUSHING,REAR				1
8	MDC270B2100	NEEDLE DCX27 #21	FOR MO-3716E-60K			2
9	12109500	BUSHING, REAR				1
10	CS1201010SH	THRUST COLLAR ASM. D=12 W=10				2
11	SS8660610TP	SCREW 1/4-40 L=6		*		4
12	11823804	CRANK PIN C	SELECTING PART FOR FIT TOLERANCE			1
13	12109955	LINK PIN C ASM.	SELECTING PART FOR FIT TOLERANCE			2
14	CQ252000000	OIL WICK		*		0.1
15	12253050	NEEDLE HOLDER ASM.				1
16	12110219	NEEDLE HOLDER		*		1
17	12253100	NEEDLE HOLDER BUSHING		*		1
18	RO108240100	RUBBER RING				1
19	SM8040612TP	SCREW M4 L=6				1
20	12111209	NEEDLE THREAD GUIDE	FOR MO-3704E,MO-3716E			1
21	SS4110515SP	SCREW 11/64-40 L=5				1
22	12111308	THREAD GUIDE, 2-NEEDLE	FOR MO-3714E			1
23	12111407	THREAD GUIDE, CHAIN LOOPER	FOR MO-3716E			1
24	12111803	TAKE-UP LEVER GUIDE	FOR MO-3704E,MO-3716E			1
25	SM4040855SP	SCREW				1
26	12111902	TAKE-UP LEVER GUIDE, 2-NEEDLE	FOR MO-3714E			1
27	12112009	TAKE-UP LEVER GUIDE,CHAIN LOOP	FOR MO-3716E			1
28	12112108	NEEDLE THREAD GUIDE STAND				1
29	SM4040855SP	SCREW				2
30	SS6080720SP	SCREW				1
31	12253209	NEEDLE CLAMP HOLDER				1
32	12110607	NEEDLE THREAD PRESSER GUIDE, A	FOR MO-3704E,MO-3714E			1
33	12110904	NEEDLE THREAD PRESSER PLATE				1
34	12110805	NEEDLE THREAD PRESSER SPRING				1
35	SD0280401SL	HINGE SCREW D=2.8 H=4				1
36	12110706	NEEDLE THREAD PRESSER GUIDE, B	FOR MO-3716E			1
37	12111506	NEEDLE THREAD TAKE-UP LEVER	FOR MO-3704E			1
38	SS6090670TP	SCREW 9/64-40 L=6				2
39	12111605	TAKE-UP LEVER, 2-NEEDLE	FOR MO-3714E			1
40	12111704	TAKE-UP LEVER, CHAIN LOOPER	FOR MO-3716E			1
41	SS8080310TP	SCREW 1/8-44 L=2.8	FOR MO-3704E			1
42	MDC270B1100	NEEDLE DCX27 #11	FOR MO-3704E			1
43	SS8080310TP	SCREW 1/8-44 L=2.8	FOR MO-3714E,MO-3716E			2
44	MDC270B1100	NEEDLE DCX27 #11	FOR MO-3714E,MO-3716E			2
45	12112207	COVER				1
46	12112306	FELT A				1

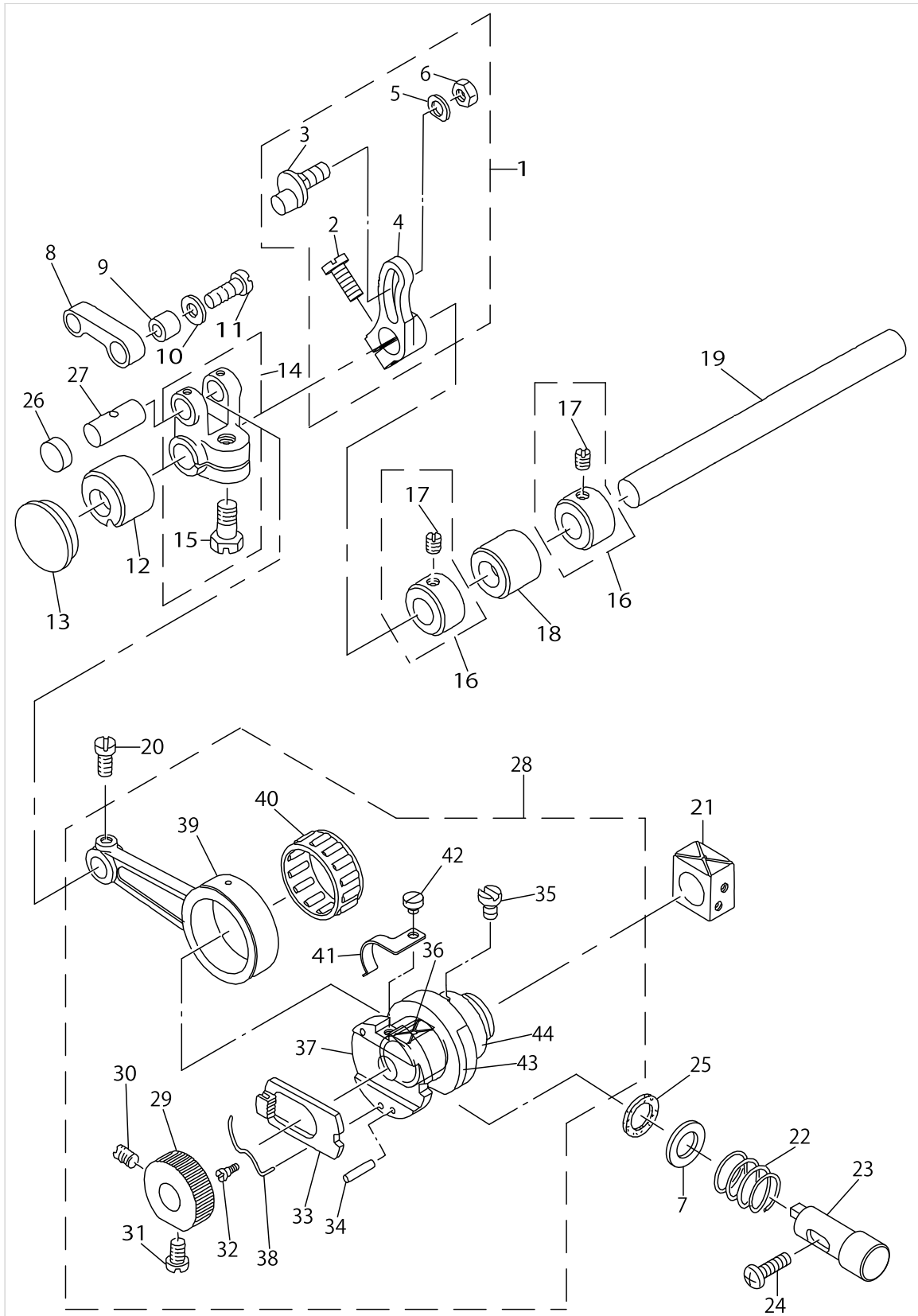
NEEDLE DRIVING SHAFT COMPONENTS



NEEDLE DRIVING SHAFT COMPONENTS

No.	Parts No.	Parts name	Remarks	Level	Cons	Qty
47	12112405	FELT B				1
48	BT0600402EA	OIL TUBE				0.2
49	TA0951301R0	RUBBER PLUG				1
50	12112801	TAKE-UP LEVER GUIDE	FOR MO-3716E-60K			1
51	12256806	NEEDLE CLAMP,1-NEEDLE	FOR MO-3704E			1
52	12256905	NEEDLE CLAMP, 2-NEEDLE(BE6)	FOR MO-3714E			1
53	12257002	CHAIN LOOPER NEEDLE CLAMP, DEA	FOR MO-3716E			1
54	12252904	NEEDLE DRIVING LINK				1
55	12257507	NEEDLE CLAMP, CHAIN LOOPER	FOR MO-3716E-50K			1
56	12150702	NEEDLE CLAMP, CHAIN LOOPER	FOR MO-3716E-60K			1
57	MDC270B1600	NEEDLE DCX27 #16	FOR MO-3716E-50K			2

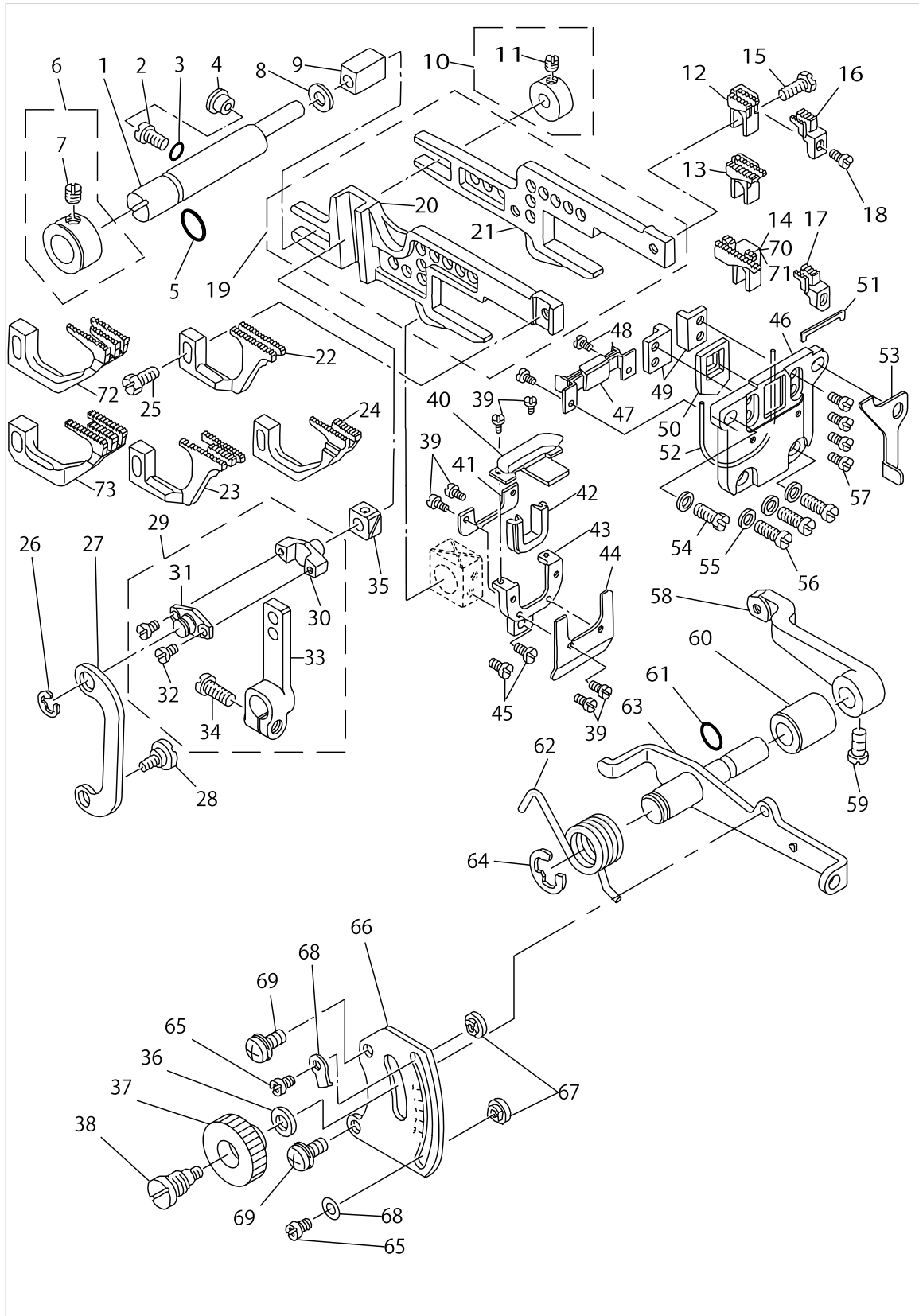
FEED MECHANISM COMPONENTS(1)



FEED MECHANISM COMPONENTS(1)

No.	Parts No.	Parts name	Remarks	Level	Cons	Qty
1	11824067	MAIN FEED ROCKER ASM.				1
2	SM6051202TP	SCREW M5X0.8 L=12		*		1
3	11824018	PIN		*		1
4	11530110	MAIN FEED ROCKER		*		1
5	11948601	WASHER B		*		1
6	NS6620320SP	NUT 3/16-32		*		1
7	B1654704000	WASHER				1
8	11824109	MAIN FEED LINK				1
9	B1620804000	COLLAR				1
10	B2107816000	WASHER				1
11	SS6121220TP	SCREW 3/16-28 L=11.5				1
12	12117206	FEED ROCKER SHAFT BUSHING, FRO				1
13	TA2050416R0	RUBBER PLUG				1
14	B16118040A0A	FORKED LINK ASM.				1
15	SM6061002TP	SCREW M6 L=10		*		1
16	CS095081ASH	THRUST COLLAR ASM. D=9.53 W=8				2
17	SS8110410TP	SCREW 11/64-40 L= 3.5		*		4
18	12117305	FEED ROCKER SHAFT BUSHING, REA				1
19	12118907	FEED SHAFT				1
20	SS7110910TP	SCREW 11/64-40 L= 8.5				1
21	11824406	SLIDE BLOCK				1
22	B1652704000	SPRING				1
23	B1650704000	PUSH BUTTON STUD				1
24	SM4041401SC	SCREW M4X0.7 L=14				1
25	B1651704000	FELT				1
26	TA1030402R0	RUBBER PLUG D=10.3 L=4				1
27	11823804	CRANK PIN C	SELECTING PART FOR FIT TOLERANCE			1
28	12116174	FEED ECCENTRIC BODY ASM.				1
29	B1605704000	RATCHET GEAR		*		1
30	SS8110750SP	SCREW 11/64-40 L= 6.5		*		1
31	SS6110710TP	SCREW 11/64-40 L= 6.5		*		1
32	SD0260271SP	HINGE SCREW D= 2.60 H= 2.7		*		1
33	B1604704000	RATCHET PAWL		*		1
34	PS0300132KH	SPRING PIN 3X13		*		2
35	SS7110810SP	SCREW 11/64-40 L= 8.0		*		2
36	12116307	FEED CAM BLOCK		*		1
37	12116406	FEED ADJUSTING CAM		*		1
38	B1606704000	RATCHET PAWL SPRING		*		1
39	12116505	CRANK ROD		*		1
40	12116703	NEEDLE BEARING B	SELECTING PART FOR FIT TOLERANCE	*		1
41	12117107	RATCHET GEAR SPRING		*		1
42	SS6080320SP	SCREW 1/8-44 L= 2.5		*		1
43	12116208	FEED CAM		*		1
44	12116109	FEED ECCENTRIC BODY		*		1

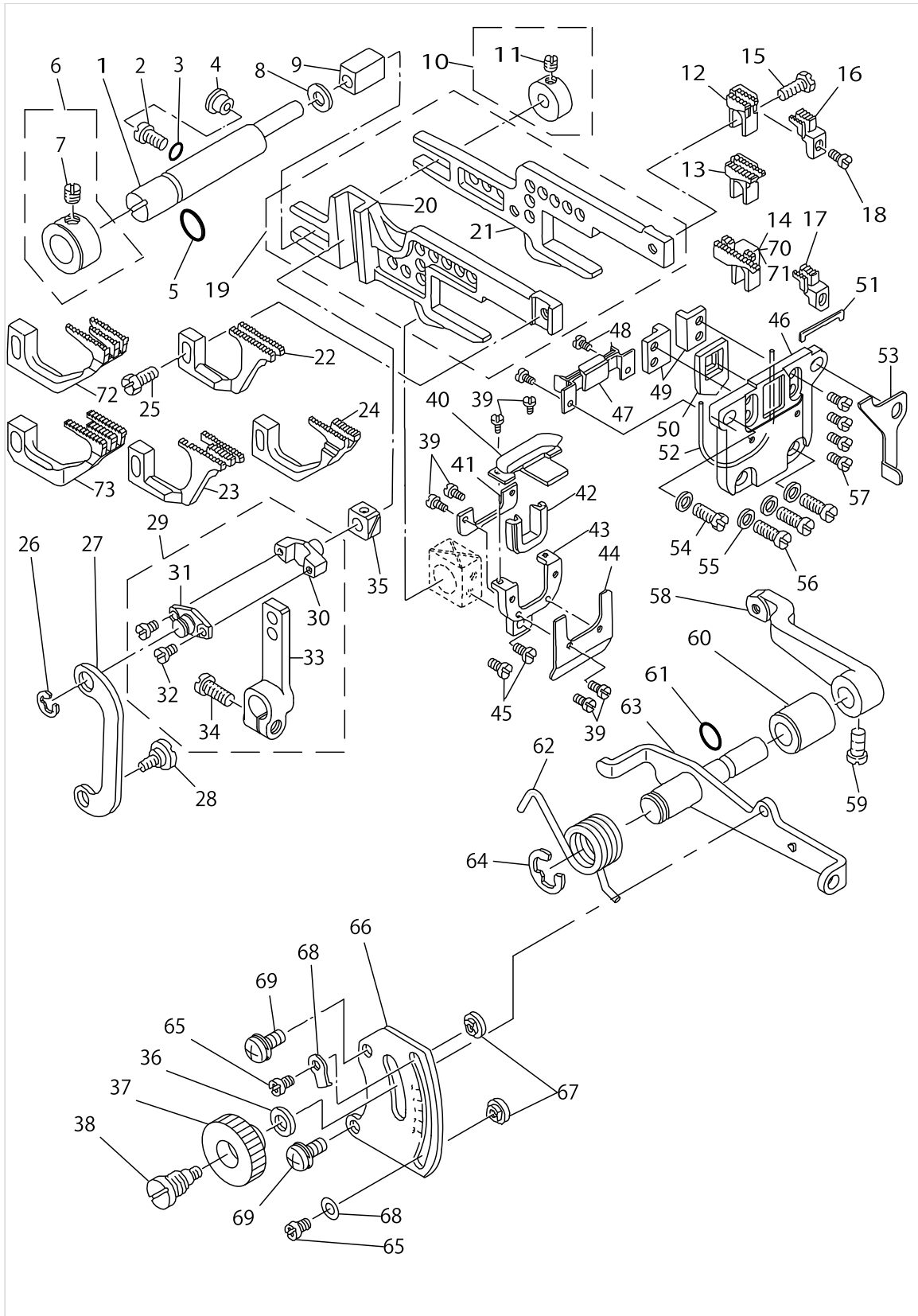
FEED MECHANISM COMPONENTS(2)



FEED MECHANISM COMPONENTS(2)

No.	Parts No.	Parts name	Remarks	Level	Cons	Qty
1	11824505	FEED BAR SHAFT				1
2	SM4040855SP	SCREW				1
3	RO037180100	RUBBER RING				1
4	TA0800504R0	PLUG D=8 L=4.5				1
5	RO078190100	RUBBER RING				1
6	11824653	THRUST COLLAR ASM.				1
7	SS8660330SP	SCREW 1/4-40 L= 3.0		*		1
8	11529914	WASHER				1
9	B1624704000	SLIDE BLOCK				1
10	11828050	COLLAR ASM.				1
11	SS8110410TP	SCREW 11/64-40 L= 3.5		*		1
12	11882107	MAIN FEED DOG	FOR MO-3704E			1
13	11949807	MAIN FEED DOG	FOR MO-3714E			1
14	11882800	MAIN FEED DOG	FOR MO-3716E			1
15	SS9111050SP	SCREW 11/64-40 L=9.5				1
16	11887106	AUXILIARY FEED DOG	FOR MO-3704E,MO-3714E			1
17	11887403	AUXILIARY FEED DOG	FOR MO-3716E			1
18	SS4080610SP	SCREW 1/8-44 L=6.4				1
19	11824257	MAIN FEED BAR ASM.				1
20	11824307	DIFFERENTIAL FEED BAR		*		1
21	11824208	MAIN FEED BAR		*		1
22	B165780400T	DIFFERENTIAL FEED DOG	FOR MO-3704E			1
23	11949906	DIFFERENTIAL FEED DOG	FOR MO-3714E			1
24	12172805	DIFFERENTIAL FEED DOG	FOR MO-3716E			1
25	SS9111010SP	SCREW 11/64-40 L=9.5				1
26	RE0500000K0	E-RING				1
27	11826310	ADJUSTING LINK				1
28	SD0720271SP	HINGE SCREW D=7,2 H=2,7				1
29	11828563	DIFFERENTIAL FEED ROCKER ASM.				1
30	11825304	PIN		*		1
31	11826401	PIN COVER		*		1
32	SS6080410SP	SCREW 1/8-44 L=4		*		2
33	11828514	DIFFERENTIAL FEED ROCKER ASM.		*		1
34	SM6051202TP	SCREW M5X0.8 L=12		*		1
35	B1414555000	SLIDE BLOCK				1
36	WP0621016SD	WASHER 6.2X13X1				1
37	B1647704000A	DIFFERENTIAL FEED LOCK NUT				1
38	B1646704000A	DIFFERENTIAL FEED HINGE SCREW				1
39	SS7060310SP	SCREW 3/32-56 L=3				6
40	11825601	RUBBER PRESSER PLATE ASM.				1
41	11825205	OIL SHIELD RUBBER				1
42	11825106	OIL SHIELD RUBBER				1
43	11825007	RUBBER COVER				1
44	11825403	RUBBER BASE PLATE				1
45	SS7090620TP	SCREW 9/64-40 L=6.1				2
46	11824802	RUBBER CASE				1
47	11827607	OIL SHIELD RUBBER,LOWER				1

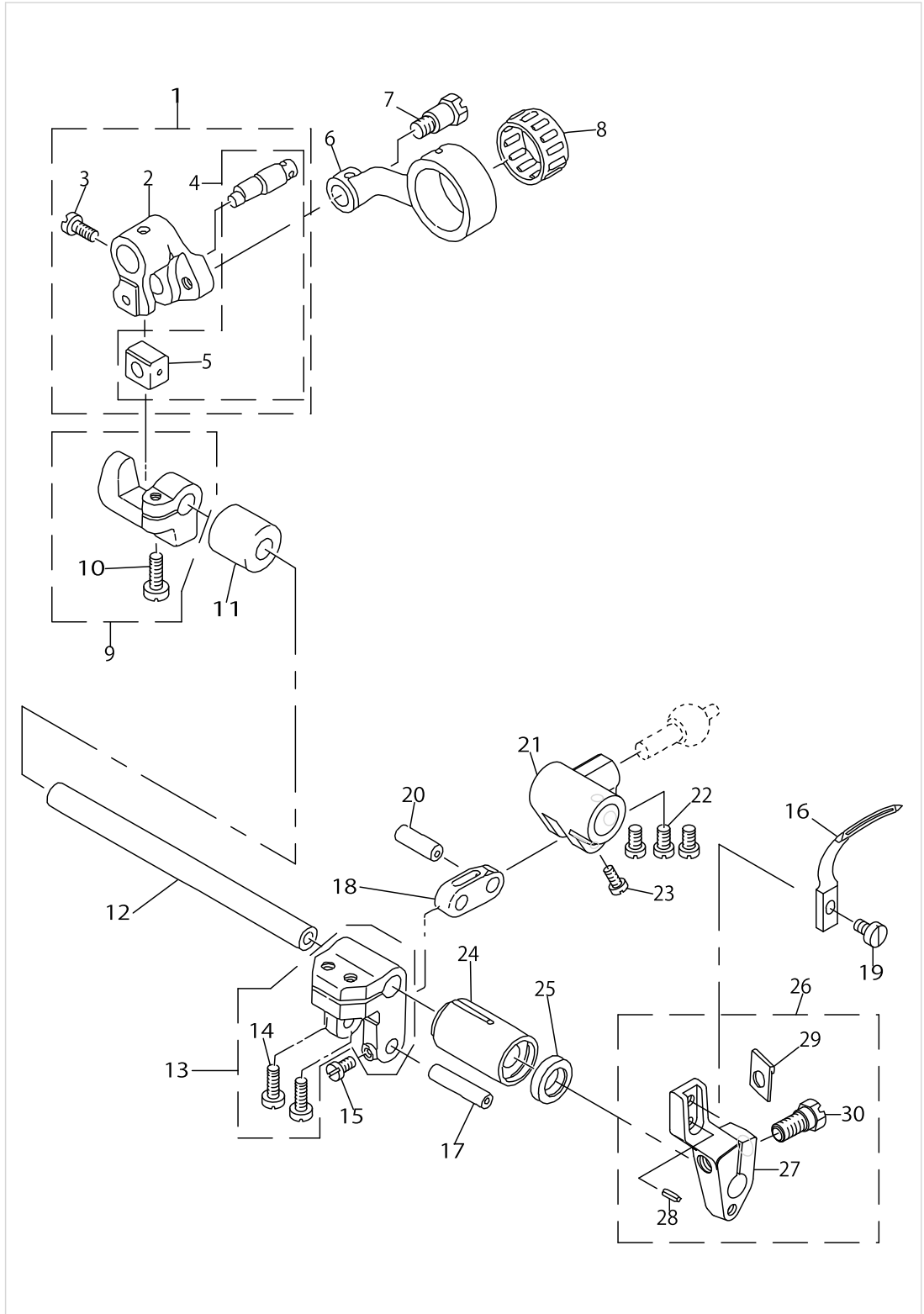
FEED MECHANISM COMPONENTS(2)



FEED MECHANISM COMPONENTS(2)

No.	Parts No.	Parts name	Remarks	Level	Cons	Qty
48	SS7060510SP	SCREW 3/32-56 L=4.8				2
49	11824703	FEED BAR SUPPORT				2
50	11824901	RUBBER				1
51	11827904	RUBBER				1
52	RO480120100	RUBBER RING				1
53	11828308	SUPPORT THROAT PLATE				1
54	SM6041002TP	SCREW M4 L=10				1
55	WP0480856SP	WASHER 4.8X8.4X0.8				4
56	SM4041055SP	SCREW				3
57	SS6090620SP	SCREW 9/64-40 L=6				4
58	11828605	DIFFERENTIAL FEED ROCKER				1
59	SS6661110SP	SCREW 1/4-40 L=11				1
60	B1645704000A	BUSHING				1
61	RO060150100	RUBBER RING				1
62	11991502	SPRING				1
63	11825858	ROCKER SHAFT ASM.				1
64	RE0900000KP	SNAP RING 9				1
65	SS4090515SP	SCREW 9/64-40 L=5				2
66	11827102	DIFFERENTIAL FEED GRADUATION				1
67	11529005	STOPPER				2
68	WP0371016SD	WASHER 3.7X8X1				2
69	SL4051231SC	SCREW M5 L=12				2
70	12171104	MAIN FEED DOG	FOR MO-3716E-50K			1
71	12171104	MAIN FEED DOG	FOR MO-3716E-60K			1
72	12173704	DIFFERENTIAL FEED DOG	FOR MO-3716E-50K			1
73	12174207	DIFFERENTIAL FEED DOG	FOR MO-3716E-60K			1

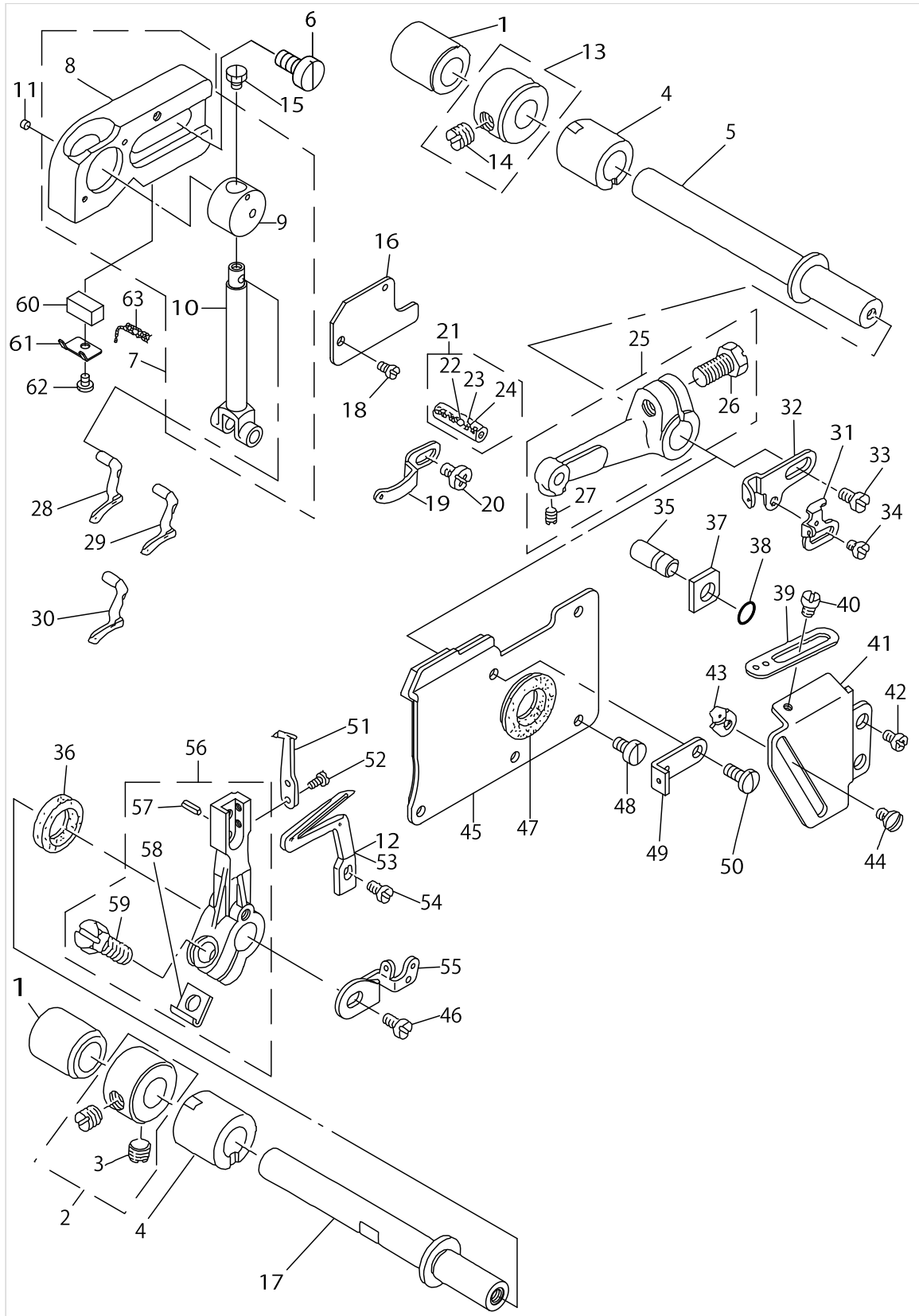
CHAIN LOOPER COMPONENTS(FOR MO-3716)



CHAIN LOOPER COMPONENTS(FOR MO-3716)

No.	Parts No.	Parts name	Remarks	Level	Cons	Qty
1	B21038160A0	SLIDER ARM ASM.				1
2	B2103816000B	CHAIN LOOPER SHAFT SLIDE ARM		*		1
3	SS7110720TP	SCREW 11/64-40 L=7		*		1
4	11829751	CHAIN LOOPER SLIDE BLOCK PIN		*		1
5	B2105816000	CHAIN LOOPER SLIDE BLOCK		*		1
6	B2102816000A	CHAIN LOOPER ROD (22MM)				1
7	SD0720803TH	STEP-SCREW D=7.24 H=8				1
8	B2119816B00	BEARING B	SELECTING PART FOR FIT TOLERANCE			1
9	12120465	BRACKET ASM.				1
10	SM6051202TP	SCREW M5X0.8 L=12		*		1
11	B2111716000	BUSHING, REAR				1
12	11829207	CHAIN LOOPER SHAFT				1
13	11539061	CHAIN LOOPER SHAFT DRIVING ARM				1
14	SM6051202TP	SCREW M5X0.8 L=12		*		2
15	SS4080610SP	SCREW 1/8-44 L=6.4				1
16	12120705	CHAIN LOOPER				1
17	12258505	PIN, LONG	SELECTING PART FOR FIT TOLERANCE			1
18	11829801	CHAIN LOOPER SHAFT DRIV. LINK				1
19	SS6090620TP	SCREW				1
20	12259008	PIN, SHORT				1
21	12121612	DRIVING BALL ARM BRACKET				1
22	SS6110710TP	SCREW 11/64-40 L= 6.5				3
23	SS4080610SP	SCREW 1/8-44 L=6.4				1
24	12122008	BUSHING, FRONT				1
25	B2525352000	OIL SEAL RING				1
26	12121554	CHAIN LOOPER DRIVING ARM ASM.				1
27	12121513	CHAIN LOOPER DRIVING ARM		*		1
28	PS0250062KH	SPRING PIN 2.5X6		*		1
29	B2531704000	WASHER		*		1
30	SS9151210TP	SCREW 15/64-28 L=11.8		*		1

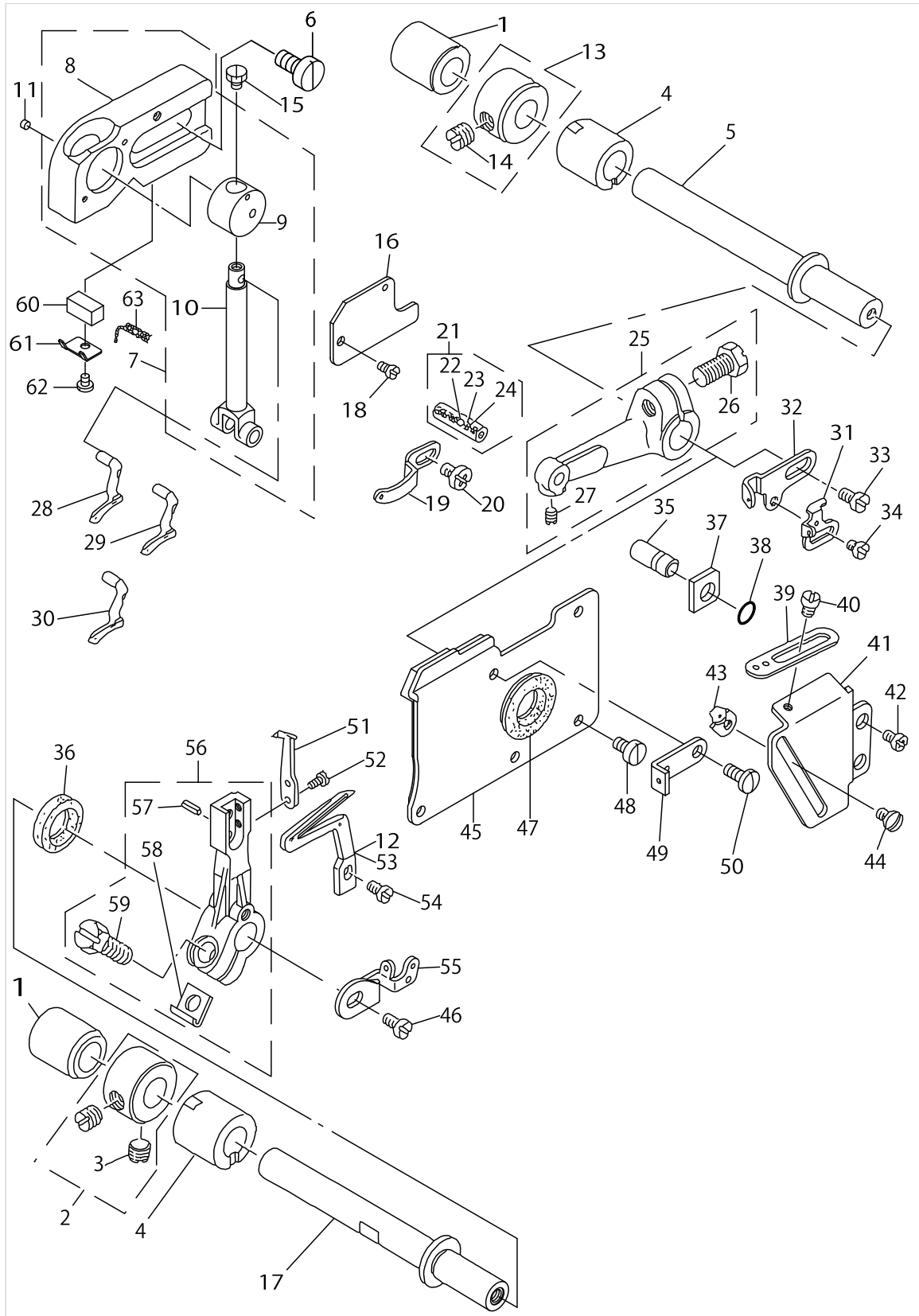
UPPER & LOWER LOOPER COMPONENTS



UPPER & LOWER LOOPER COMPONENTS

No.	Parts No.	Parts name	Remarks	Level	Cons	Qty
1	12254009	BUSHING, REAR				2
2	CS103121ASH	COLLAR ASM. D=10.32 W=12	FOR MO-3704E,MO-3714E			2
3	SS8660530TP	SCREW 1/4-40 L= 4.5		*		4
4	B2507804000B	BUSHING, FRONT				2
5	12122404	UPPER LOOPER SHAFT				1
6	SM6061200SP	SCREW				2
7	12273355	UPPER LOOPER GUIDE ASM.				1
8	11833613	UPPER LOOPER GUIDE SUPPORT		*		1
9	12273108	UPPER LOOPER GUIDE		*		1
10	12273207	UPPER LOOPER HOLDER		*		1
11	11842101	OIL FELT				1
12	11999802	LOWER LOOPER	FOR MO-3716E-FH6-60K			1
13	CS103121ASH	COLLAR ASM. D=10.32 W=12	FOR MO-3716E			1
14	SS8660530TP	SCREW 1/4-40 L= 4.5		*		2
15	SS9090410TP	SCREW				1
16	11991601	UPPER LOOPER GUIDE COVER				1
17	12123410	LOWER LOOPER SHAFT				1
18	SS7060610SP	SCREW 3/32-56 L= 5.5				2
19	11833308	UPPER LOOPER THREAD GUIDE				1
20	SS4090615SP	SCREW 9/64-40 L=6				1
21	11831757	PIN ASM.	SELECTING PART F- OR FIT TOLERANCE			1
22	11831708	OIL WICK STOPPER BALL				1
23	CQ202000000	OIL WICK				0.1
24	CQ200000000	OIL WICK				0.1
25	11831559	LOOPER HOLDER ASM. B				1
26	SS9151210TP	SCREW 15/64-28 L=11.8		*		1
27	SS8090410SP	SCREW 9/64-40 L= 3.5		*		1
28	12176103	UPPER LOOPER	FOR MO-3714E			1
29	11991908	UPPER LOOPER	FOR MO-3704E,MO-3716E-DE4,FF6			1
30	12176202	UPPER LOOPER	FOR MO-3716E-FH6-60K			1
31	11833506	LOWER LOOPER THREAD TAKE-UP				1
32	12124004	THREAD TAKE-UP, RIGHT				1
33	SS7110840SP	SCREW 11/64-40 L=7.8				1
34	SS6080410SP	SCREW 1/8-44 L=4				1
35	11831906	PIN				1
36	B2508704000	OIL SEAL				1
37	11991809	GAUGE				1
38	RO037180100	RUBBER RING				1
39	12123907	THREAD GUIDE, RIGHT				1
40	SS3090610SP	SCREW 9/64-40 L=6				1
41	12123808	LOOPER THREAD TAKE-UP COVER				1
42	SM4040655SP	SCREW M4 L=6				2
43	11833407	LOWER LOOPER THREAD GUIDE				1
44	SS3090610SP	SCREW 9/64-40 L=6				1
45	12123659	OIL SHIELD PLATE ASM.				1
46	SS7110840SP	SCREW 11/64-40 L=7.8				1

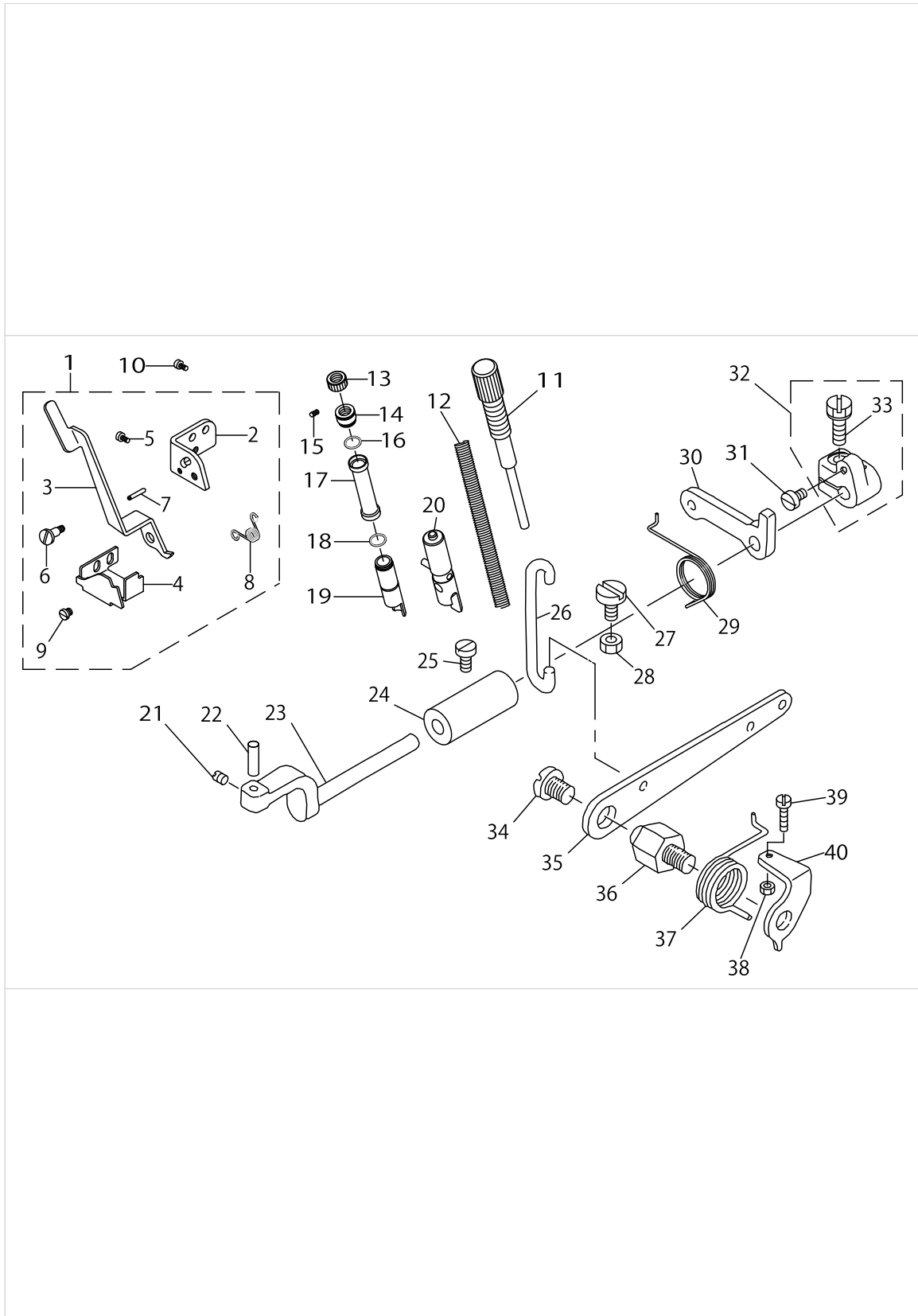
UPPER & LOWER LOOPER COMPONENTS



UPPER & LOWER LOOPER COMPONENTS

No.	Parts No.	Parts name	Remarks	Level	Cons	Qty
47	B2530704000	UPPER LOOPER SHAFT RUBBER RING				1
48	SS6090630SP	SCREW 9/64-40 L=6				4
49	11833100	LOOPER THREAD GUIDE				1
50	SS7090850SP	SCREW 9/64-40 L=8				1
51	11890001	TRAVELING NEEDLE GUARD				1
52	SS6060440TP	SCREW 3/32-56 L=3.5				2
53	11999307	LOWER LOOPER				1
54	SS6090620TP	SCREW				1
55	11833209	LOOPER THREAD TAKE-UP, LEFT				1
56	12123550	LOWER LOOPER SUPPORT ARM ASM.				1
57	PS0300062KH	SPRING PIN 3X6		*		1
58	B2531704000	WASHER		*		1
59	SS9151210TP	SCREW 15/64-28 L=11.8		*		1
60	12130803	OIL FELT				1
61	12130704	FELT HOLDER				1
62	SS7060310SP	SCREW 3/32-56 L=3				1
63	CQ202000000	OIL WICK				1

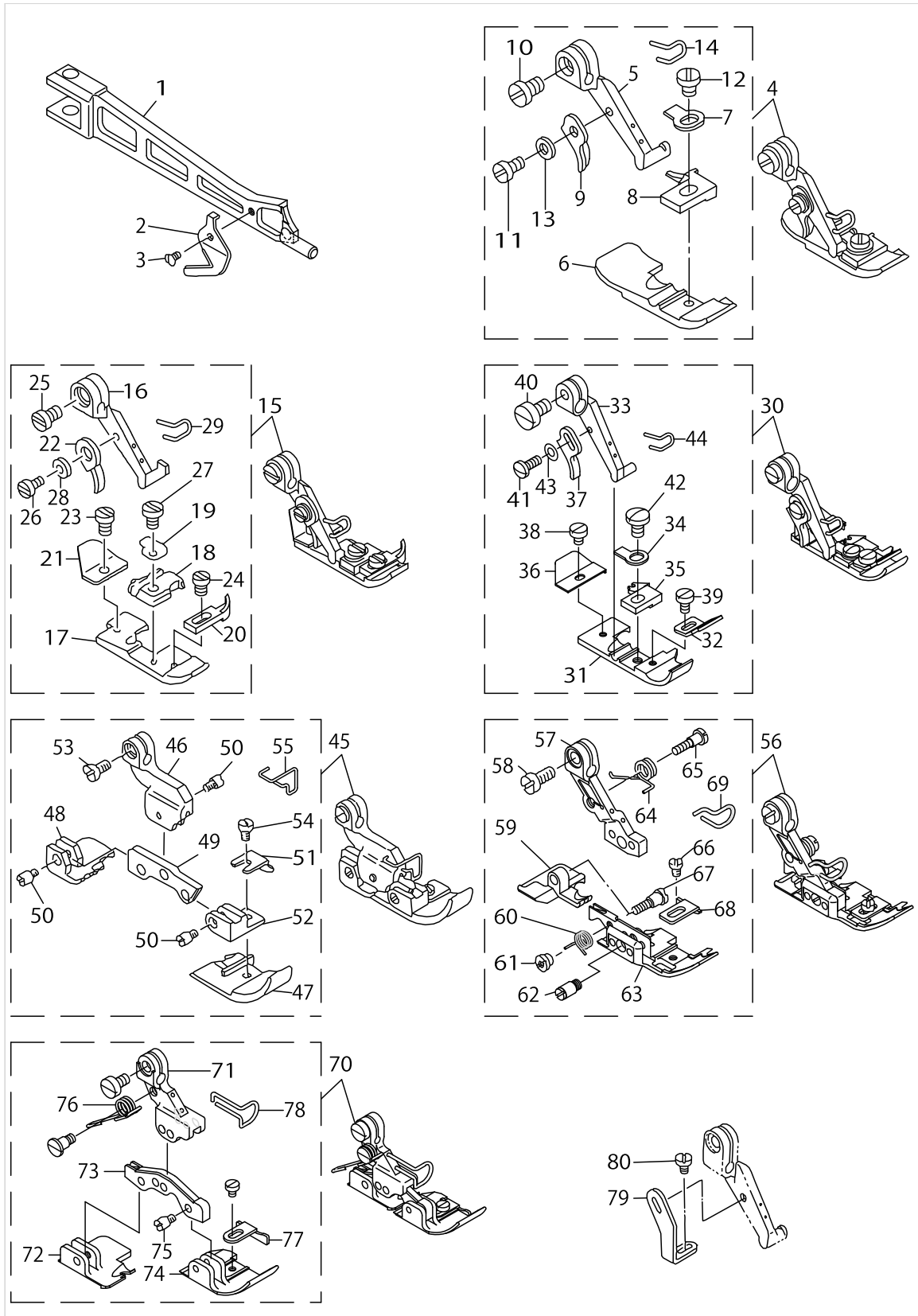
PRESSER FOOT COMPONENTS(1)



PRESSER FOOT COMPONENTS(1)

No.	Parts No.	Parts name	Remarks	Level	Cons	Qty
1	12115051	FOOT LIFTING LEVER STAND ASM.				1
2	12115002	FOOT LIFTING LEVER STAND		*		1
3	12115101	PRESSER FOOT LIFTING LEVER		*		1
4	12115200	STOPPER		*		1
5	SS7110510SP	SCREW 11/64-40 L=5		*		2
6	SD0640241SP	HINGE SCREW D= 6.35 H= 2.4		*		1
7	PS0300142KH	SPRING PIN 0.3 X 14		*		1
8	12115309	SPRING		*		1
9	SS6080340SP	SCREW 1/8-44 L=2.9		*		1
10	SS4110715SP	SCREW 11/64-40 L=7				2
11	12114716	PRESSER REGULATOR SCREW				1
12	12115903	PRESSER SPRING				1
13	12114807	PRESSER REGULATOR NUT				1
14	12114609	PRESSER REGULATOR SCREW WASHER				1
15	SM8040402TP	SCREW M4X0.7 L=4				1
16	RO110090100	RUBBER RING				1
17	12114906	PRESSER BAR COVER				1
18	RO110090100	RUBBER RING				2
19	12114302	PRESSER BAR BUSHING				1
20	12114468	PRESSER BAR ASM.				1
21	SS8110510SP	SCREW 11/64-40 L=5				1
22	B1534804000	PRESSER FOOT ARM HINGE SHAFT				1
23	12113205	PRESSER FOOT SHAFT				1
24	12113304	BUSHING				1
25	SS6121020SP	SCREW 3/16-28 L= 9.5				1
26	11819414	LIFTING HOOK				1
27	SM6061200SP	SCREW				1
28	NM6060003SC	NUT M6				1
29	11819703	PRESSER FOOT ARM SPRING				1
30	12113502	LIFTING ARM				1
31	SS6110710TP	SCREW 11/64-40 L= 6.5				1
32	12113452	PRESSER FOOT SHAFT THRUST ASM.				1
33	SS9151210TP	SCREW 15/64-28 L=11.8		*		1
34	SS7161040SP	SCREW 1/4-24 L= 9.5				1
35	11819315	LIFTING LEVER				1
36	11819109	LIFTING LEVER SCREW				1
37	11819208	LIFTING LEVER SPRING				1
38	NS6110420SP	NUT 11/64-40				1
39	SS7111410SP	SCREW 11/64-40 L=14				1
40	B1529804000	PRESSER FOOT LIFTING LEVER STO				1

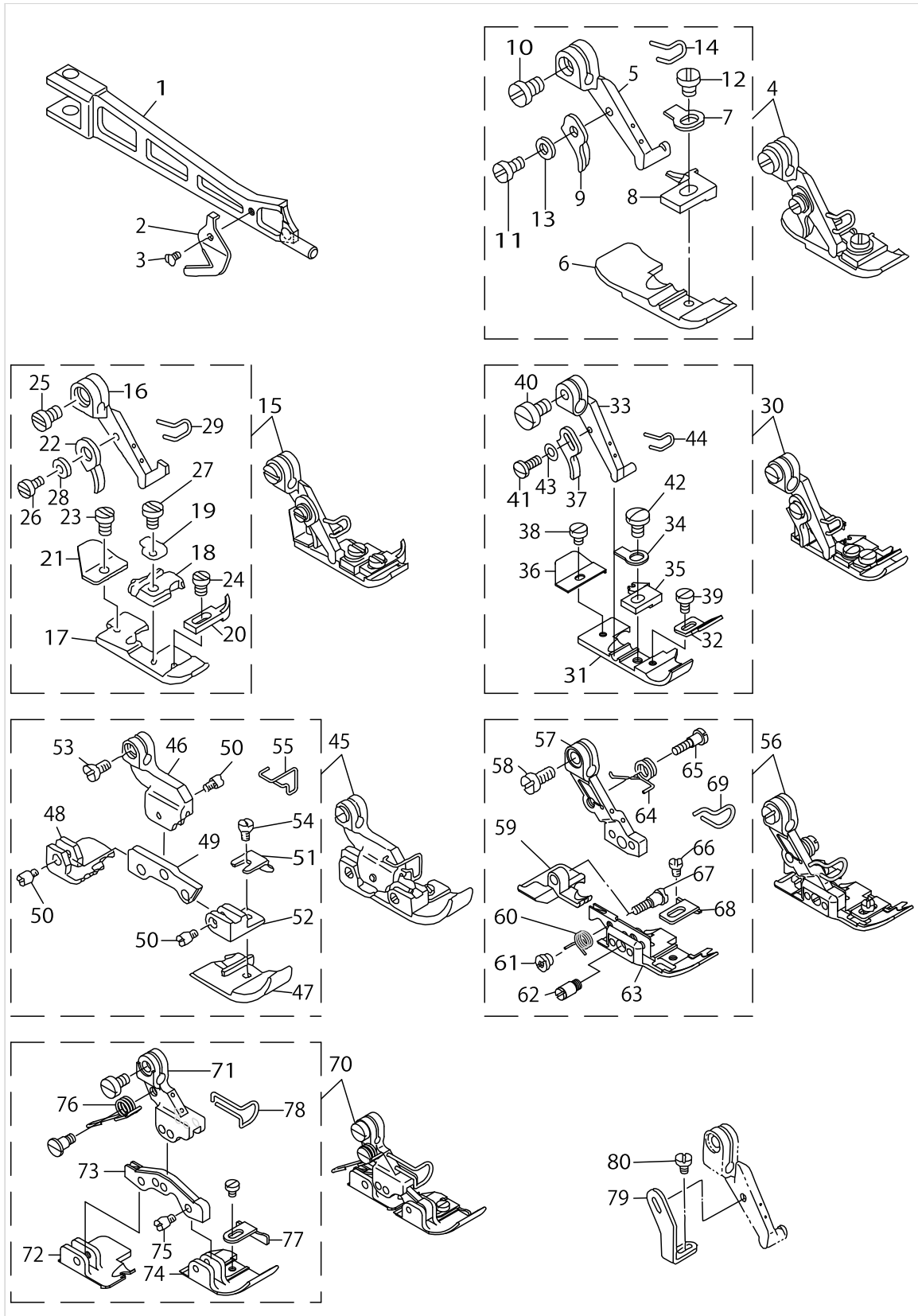
PRESSER FOOT COMPONENTS(2)



PRESSER FOOT COMPONENTS(2)

No.	Parts No.	Parts name	Remarks	Level	Cons	Qty
1	12253811	PRESSER FOOT ARM				1
2	B1528804000A	THREAD TRIMMER				1
3	SS6060440TP	SCREW 3/32-56 L=3.5				1
4	11992161	PRESSER FOOT ASM.	FOR MO-3704E-OE4-40K/F			1
5	11872009	PRESSER FOOT HINGE		*		1
6	11992104	PRESSER FOOT		*		1
7	B1508804000	SPRING		*		1
8	11874807	STITCH TONGUE		*		1
9	B1530804000	STOPPER		*		1
10	SS6090650SP	SCREW 9/64-40 L=6		*		1
11	SS7060610SP	SCREW 3/32-56 L= 5.5		*		1
12	SS7080520SP	SCREW 1/8-44 L=4.9		*		1
13	WP0250516SD	WASHER 2.5X6X0.5		*		1
14	11820701	FINGER GUARD		*		1
15	11899861	PRESSER FOOT ASM.	FOR MO-3714E-BE6-40K/F/G20			1
16	11872009	PRESSER FOOT HINGE		*		1
17	11873908	PRESSER FOOT		*		1
18	11899606	STITCH TONGUE		*		1
19	11899408	SPRING		*		1
20	B1510814000	CURL GUARD		*		1
21	B1511814000	REAR PRESSER FOOT		*		1
22	B1530804000	STOPPER		*		1
23	SS6060210SP	SCREW 3/32-56 L= 1.9		*		1
24	SS6060410TP	SCREW 3/32-56 L= 3.5		*		1
25	SS6090650SP	SCREW 9/64-40 L=6		*		1
26	SS7060610SP	SCREW 3/32-56 L= 5.5		*		1
27	SS4080610SP	SCREW 1/8-44 L=6.4		*		1
28	WP0250516SD	WASHER 2.5X6X0.5		*		1
29	11820701	FINGER GUARD		*		1
30	12152963	PRESSER FOOT ASM.	FOR MO-3714E-BE6-40K/F,G39			1
31	12158002	PRESSER FOOT		*		1
32	12160909	TAPE GUIDE		*		1
33	11872009	PRESSER FOOT HINGE		*		1
34	B150880400B	SPRING		*		1
35	12160305	STITCH TONGUE		*		1
36	B1511814000	REAR PRESSER FOOT		*		1
37	B1530804000	STOPPER		*		1
38	SS6060210SP	SCREW 3/32-56 L= 1.9		*		1
39	SS6060440TP	SCREW 3/32-56 L=3.5		*		1
40	SS6090650SP	SCREW 9/64-40 L=6		*		1
41	SS7060610SP	SCREW 3/32-56 L= 5.5		*		1
42	SS7080520SP	SCREW 1/8-44 L=4.9		*		1
43	WP0250516SD	WASHER 2.5X6X0.5		*		1
44	11820701	FINGER GUARD		*		1
45	11880762	PRESSER FOOT ASM.	FOR MO-3716E-FF6-50K/F/F26/G09			1
46	11872702	PRESSER FOOT HINGE		*		1
47	B1530816F00	PRESSER FOOT,FRONT		*		1

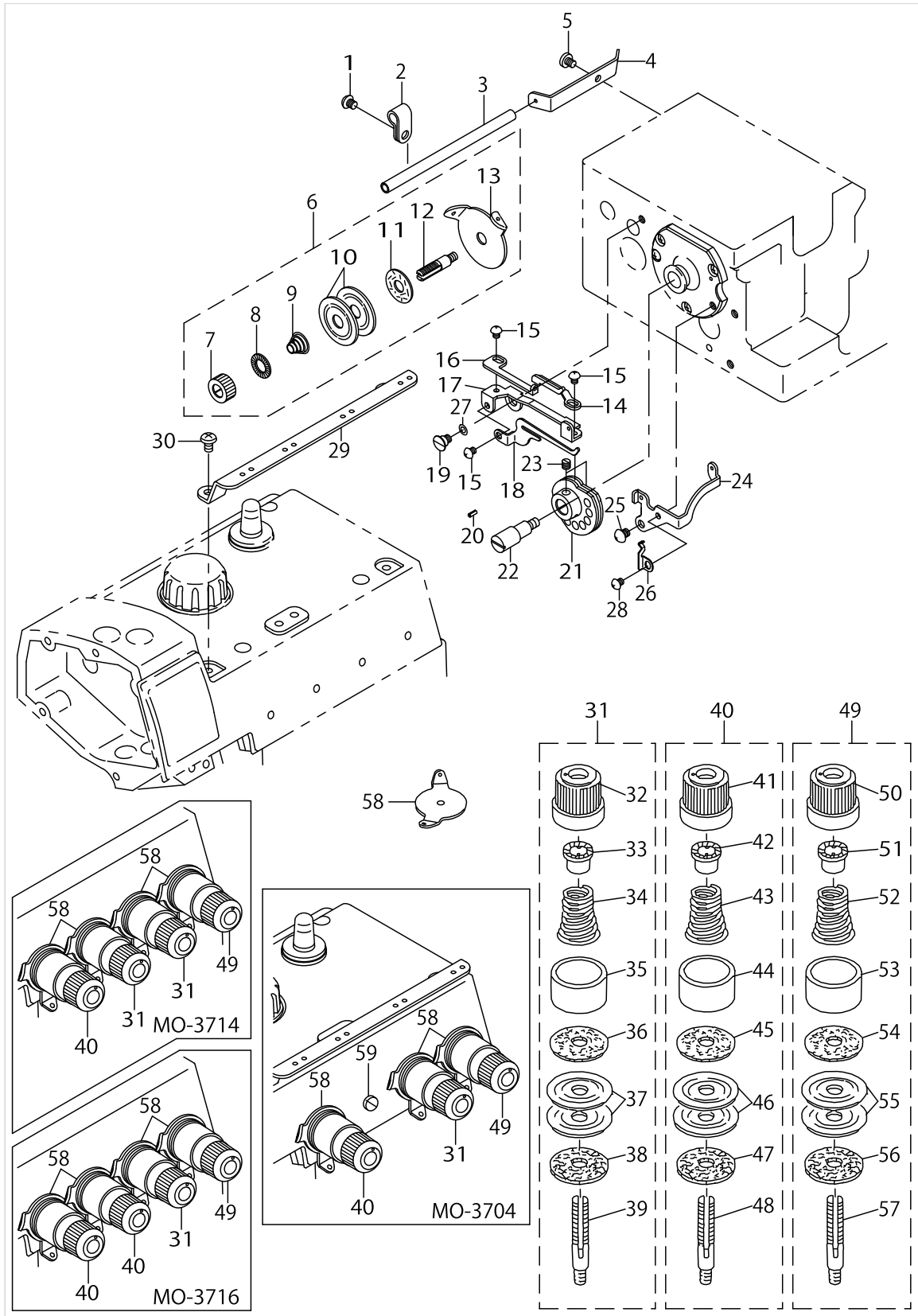
PRESSER FOOT COMPONENTS(2)



PRESSER FOOT COMPONENTS(2)

No.	Parts No.	Parts name	Remarks	Level	Cons	Qty
48	B1531816000	REAR PRESSER		*		1
49	B1532816000A	HINGED PRESSER FOOT HINGE		*		1
50	B1534816000	HINGE SCREW		*		3
51	B1535816000	CLOTH PRESSER		*		1
52	B1536816000	FRONT PRESSER FOOT HINGE		*		1
53	SS6090650SP	SCREW 9/64-40 L=6		*		1
54	SS7080510TP	SCREW 1/8-44 L=4.5		*		1
55	11894805	FINGER GUARD		*		1
56	12153763	PRESSER FOOT ASM.	FOR MO-3716E-DE4-40K/F			1
57	12156907	PRESSER FOOT HINGE		*		1
58	SS6090650SP	SCREW 9/64-40 L=6		*		1
59	12164802	REAR PRESSER FOOT		*		1
60	12167805	SPRING, FOR REAR PRESSER FOOT		*		1
61	B1513816000	NUT, FOR REAR PRESSER FOOT		*		1
62	12167409	HINGE PIN		*		1
63	12162202	PRESSER FOOT		*		1
64	12167607	PRESSER FOOT ARM SPRING		*		1
65	B1514816000	SCREW		*		1
66	SS6060340SP	SCREW 3/32-56 L= 2.5		*		1
67	12167508	HINGE SCREW		*		1
68	12167706	PRESSER FOOT		*		1
69	12115408	FINGER GUARD		*		1
70	12155560	PRESSER FOOT ASM.	FOR MO-3716E-FH6-60K/F			1
71	12157319	PRESSER FOOT HINGE ARM		*		1
72	12165908	REAR PRESSER FOOT		*		1
73	12168407	PRESSER FOOT HINGE		*		1
74	12164000	PRESSER FOOT		*		1
75	11930708	PRESSER FOOT HINGE PIN		*		3
76	12168506	PRESSER FOOT ARM SPRING		*		1
77	12168605	CLOTH GUIDE		*		1
78	12168803	FINGER GUARD		*		1
79	B1539804000	PRESSER FOOT FIXING PLATE	SPECIAL ORDER PART (FOR MO-3- 704E,MO-3714E)			1
80	SS6060410TP	SCREW 3/32-56 L= 3.5	SPECIAL ORDER PART (FOR MO-3- 704E,MO-3714E)			1

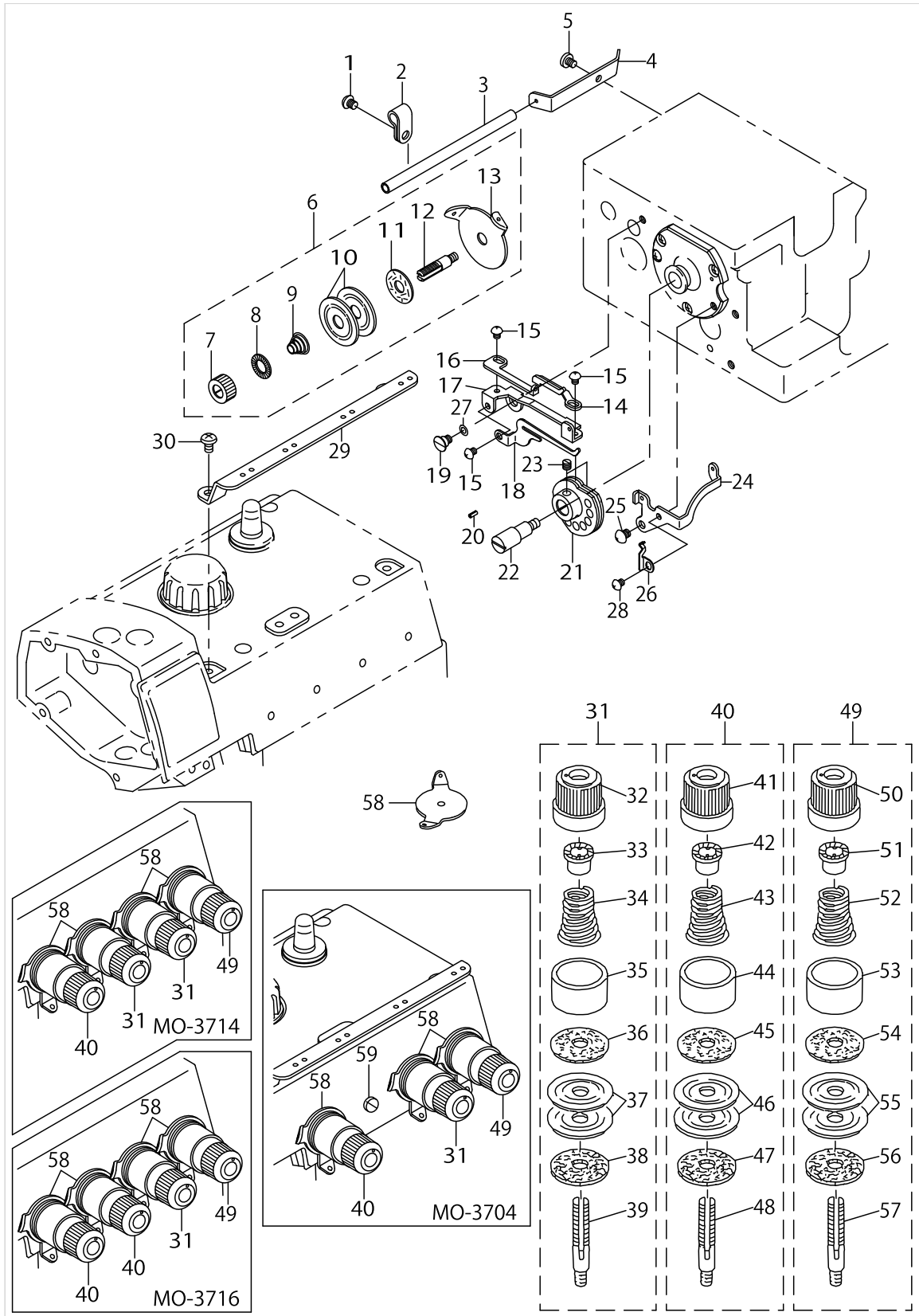
THREAD TENSION COMPONENTS



THREAD TENSION COMPONENTS

No.	Parts No.	Parts name	Remarks	Level	Cons	Qty
1	SM4050855SP	SCREW				1
2	B3113352000	MOUNTING BRACKET				1
3	B2401816000	LOOPER THREAD GUIDE TUBE				1
4	B2402716000	LOOPER THREAD GUIDE TUBE GUIDE				1
5	SS5150510SP	SCREW 15/64-28 L=5				1
6	11550852	TENSION CONTROLLER ASM.				1
7	B2314019000	TENSION POST NUT		*		1
8	B3120125000	ROTATING STOPPER		*		1
9	B2017372000	TENSION SPRING NO.1		*		1
10	B3126012000	THREAD TENSION DISK		*		2
11	B3120352000	THREAD TENSION SPRING FELT		*		1
12	11550803	THREAD TENSION POST		*		1
13	11550308	THREAD GUIDE		*		1
14	12120903	THREAD GUIDE A				1
15	SS4090415SP	SCREW 9/64-40 L=4				3
16	12121000	THREAD GUIDE B				1
17	12120804	THREAD GUIDE BASE				1
18	12121109	THREAD GUIDE HOOK				1
19	SD0600341TP	HINGE SCREW D=6.0 H=3.4				1
20	PS0200052KH	SPRING PIN 2.3X5				1
21	B220181600B	THREAD CAM				1
22	B2202816000	SHAFT				1
23	SS8110410TP	SCREW 11/64-40 L= 3.5				2
24	12121208	THREAD GUIDE				1
25	SS4110515SP	SCREW 11/64-40 L=5				1
26	12121307	THREAD GUIDE SPRING				1
27	WZ0640312K0	WAVED WASHER				1
28	SS4090415SP	SCREW 9/64-40 L=4				1
29	12254405	CENTER THREAD GUIDE				1
30	SS4110715SP	SCREW 11/64-40 L=7				2
31	12254850	THREAD TENSION SPRING COMPL.				1
32	11956901	THREAD TENSION KNOB, YELLOW		*		1
33	B3112704000	TENSION SPRING BUSHING		*		1
34	B3102804000	TENSION SPRING, YELLOW		*		1
35	11957305	TENSION DISC PRESSER		*		1
36	B3120704000	THREAD TENSION SPRING FELT		*		1
37	12254504	THREAD TENSION DISK		*		2
38	12254603	THREAD TENSION RUBBER		*		1
39	B3105804000	TENSION POST		*		1
40	12254751	THREAD TENSION SPRING JUNCTION				1
41	11956703	THREAD TENSION KNOB, RED		*		1
42	B3112704000	TENSION SPRING BUSHING		*		1
43	B3101804000	TENSION SPRING, RED		*		1
44	11957305	TENSION DISC PRESSER		*		1
45	B3120704000	THREAD TENSION SPRING FELT		*		1
46	12254504	THREAD TENSION DISK		*		2
47	12254603	THREAD TENSION RUBBER		*		1

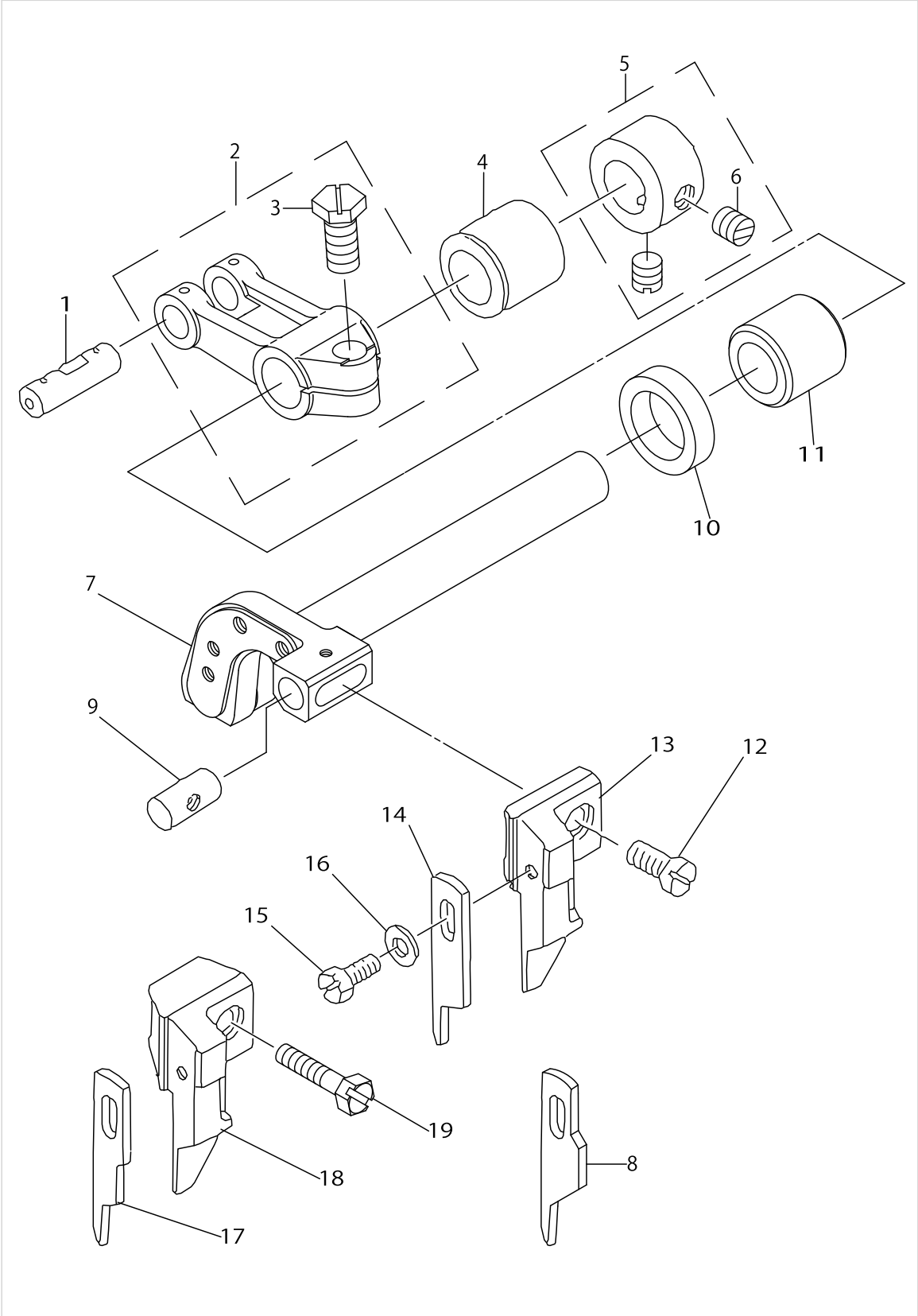
THREAD TENSION COMPONENTS



THREAD TENSION COMPONENTS

No.	Parts No.	Parts name	Remarks	Level	Cons	Qty
48	B3105804000	TENSION POST		*		1
49	12254959	THREAD TENSION SPRING JUNCTION				1
50	11956802	THREAD TENSION KNOB, BLUE		*		1
51	B3112704000	TENSION SPRING BUSHING		*		1
52	B3103804000	TENSION SPRING, BLUE		*		1
53	11957305	TENSION DISC PRESSER		*		1
54	B3120704000	THREAD TENSION SPRING FELT		*		1
55	12254504	THREAD TENSION DISK		*		2
56	12254603	THREAD TENSION RUBBER		*		1
57	B3105804000	TENSION POST		*		1
58	B3108704000	THREAD GUIDE				1
59	SS7110710SL	SCREW 11/64-40 L=7.0				1

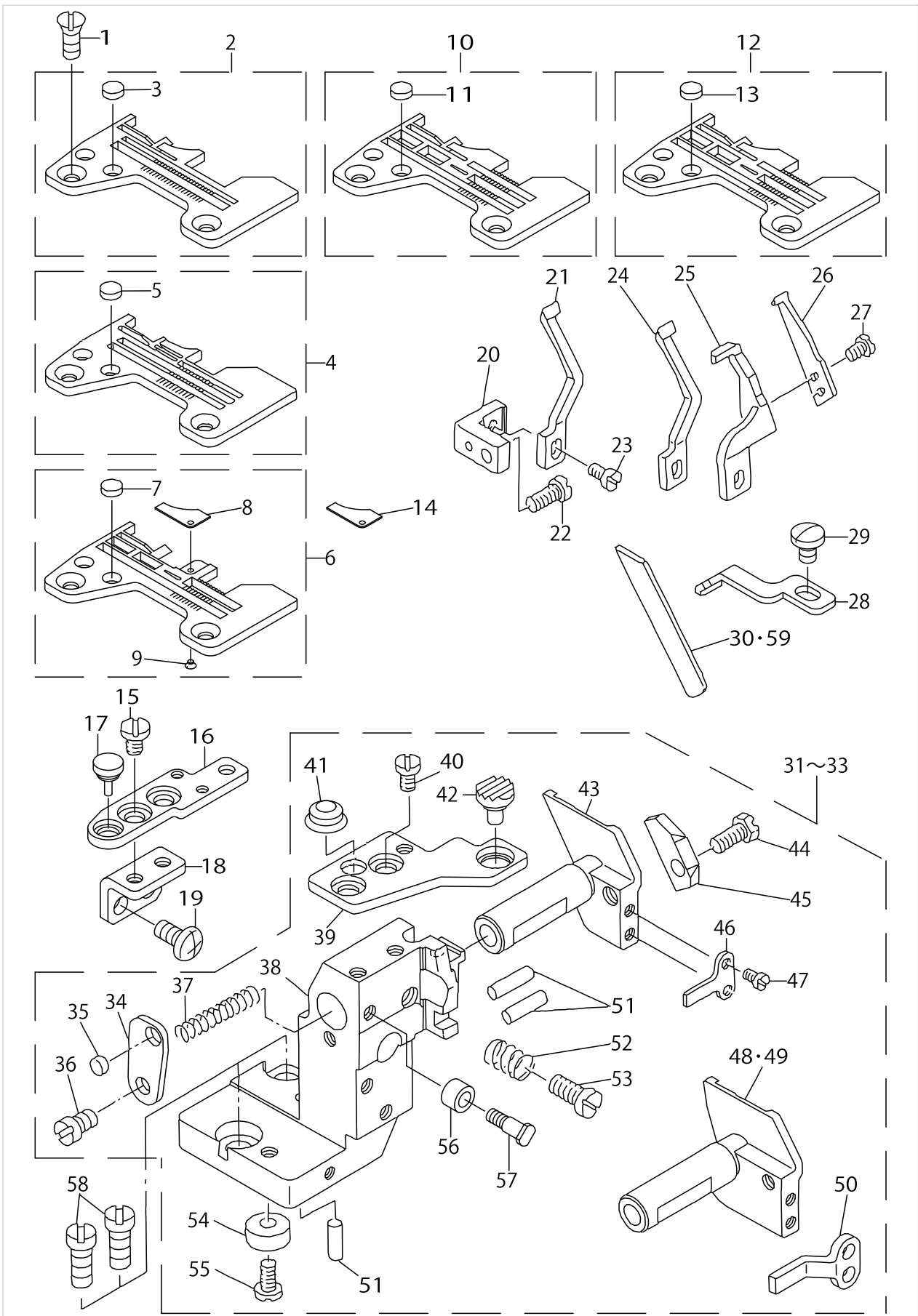
UPPER KNIFE COMPONENTS



UPPER KNIFE COMPONENTS

No.	Parts No.	Parts name	Remarks	Level	Cons	Qty
1	11823804	CRANK PIN C	SELECTING PART FOR FIT TOLERANCE			1
2	12132262	FEED FORKED ARM ASM.				1
3	SM6061202TP	SCREW M6 L=12		*		1
4	12132502	BUSHING, REAR				1
5	CS111101ESH	COLLAR ASM. D=11.11 W=10				1
6	SS8660330SP	SCREW 1/4-40 L= 3.0		*		2
7	12132304	KNIFE DRIVING ARM SHAFT				1
8	12004909	KNIFE	FOR MO-3716E-60K			1
9	11565801	UPPER KNIFE GUIDE SHAFT				1
10	11566809	OIL SEAL				1
11	12132403	BUSHING, FRONT				1
12	SS6111040SP	SCREW 11/64-40 L= 9.5	FOR MO-3704E,MO-3714E			1
13	12133302	UPPER KNIFE SUPPORT A	FOR MO-3704E,MO-3714E			1
14	11845609	KNIFE	FOR MO-3704E,MO-3714E			1
15	SS9090813TP	SCREW 9/64-40 L=8				1
16	WP0370316SD	WASHER 3.7X8X0.3				1
17	11845708	KNIFE	FOR MO-3716E			1
18	12133401	UPPER KNIFE SUPPORT	FOR MO-3716E			1
19	SS6111610SP	SCREW 11/64-40 L=16	FOR MO-3716E			1

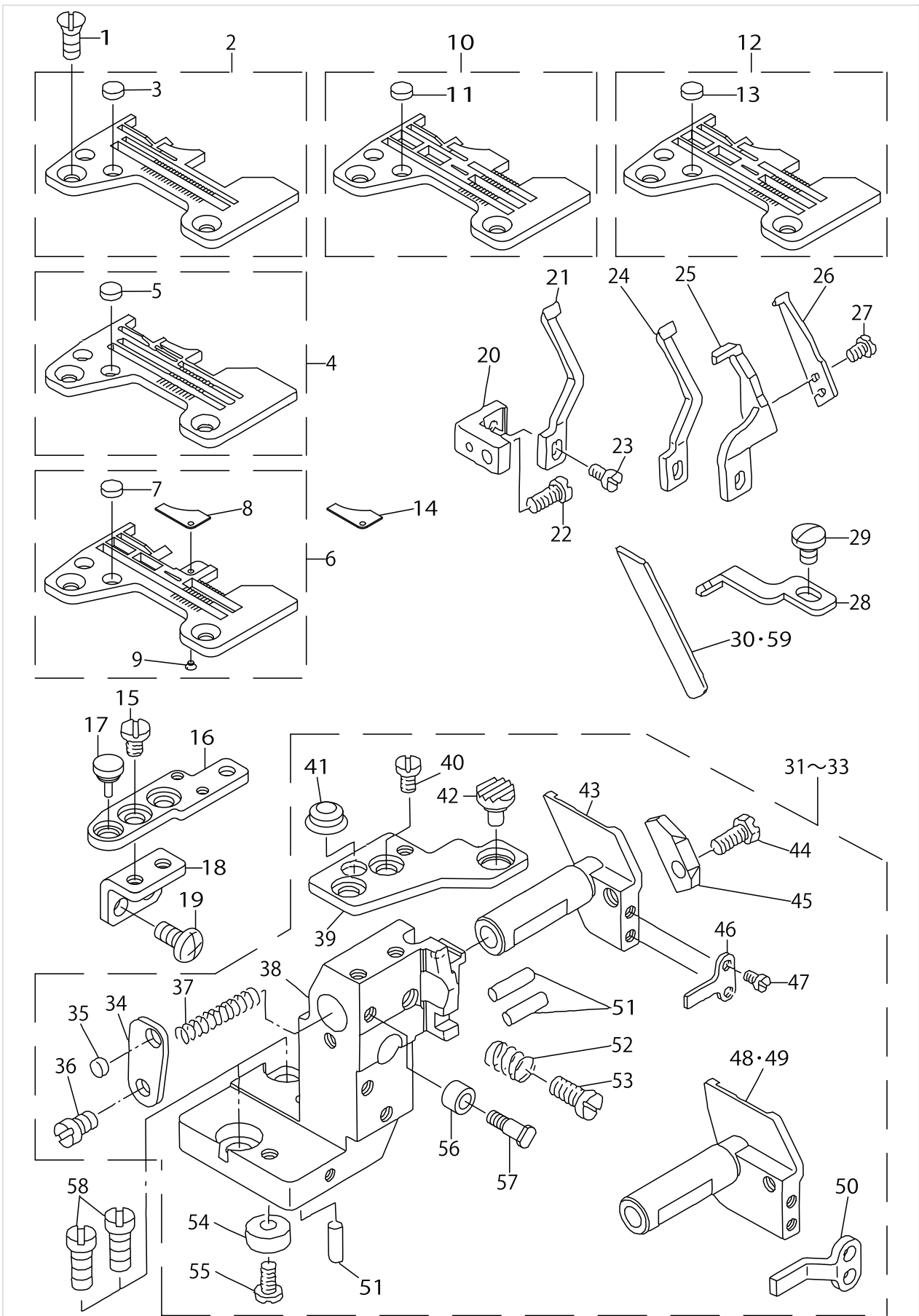
LOWER KNIFE COMPONENTS



LOWER KNIFE COMPONENTS

No.	Parts No.	Parts name	Remarks	Level	Cons	Qty
1	SS2110910SL	SCREW 11/64-40 L=9				2
2	R4200J0EDA0	THROAT PLATE ASM.	FOR MO-3704E			1
3	11806304	PLUG	FOR MO-3704E	*		2
4	R4305J0EEA0	THROAT PLATE ASM.	FOR MO-3714E			1
5	11806304	PLUG	FOR MO-3714E	*		2
6	R4508J0EDAC	THROAT PLATE	FOR MO-3716E-DE4-40K			1
7	11806304	PLUG	FOR MO-3716E	*		2
8	12145207	THROAT PLATE CLICK		*		1
9	SS1060210TP	SCREW 3/32-56 L=2.2		*		1
10	R4612J0HKA0	THROAT PLATE ASM.	FOR MO-3716E-FH6-60K			1
11	11806304	PLUG		*		1
12	R4612J0FGA0	THROAT PLATE ASM.	FOR MO-3716E-FF6-50K			1
13	11806304	PLUG		*		1
14	12145306	CLICK (H)	ACCESSORIES PART(H)			1
15	SS6110610TP	SCREW 11/64-40 L=6				2
16	11848603	THROAT PLATE BASE C				1
17	11804606	RUBBER PLUG				1
18	12288908	THROAT PLATE BASE B SUPPORT				1
19	SM4051055SP	SCREW				2
20	11847100	NEEDLE GUARD HOLDER				1
21	11890100	NEEDLE GUARD	FOR MO-3704E			1
22	SS7110840SP	SCREW 11/64-40 L=7.8				1
23	SS7090610SP	SCREW 9/64-40 L=6				1
24	11890308	NEEDLE GUARD	FOR MO-3714E			1
25	12015301	NEEDLE HOLDER	FOR MO-3716E			1
26	12015400	NEEDLE HOLDER	FOR MO-3716E			1
27	SS7060510SP	SCREW 3/32-56 L=4.8	FOR MO-3716E			2
28	12177903	NEEDLE HOLDER	FOR MO-3716E			1
29	SS7090510SP	SCREW 9/64-40 L= 4.6	FOR MO-3716E			1
30	11846003	LOWER KNIFE				1
31	12257259	LOWER KNIFE BRACKET	FOR MO-3704E,MO-3714E			1
32	12257358	LOWER KNIFE BRACKET	FOR MO-3716E			1
33	12257457	LOWER KNIFE BRACKET	FOR MO-3716E-FH6-60K			1
34	12133211	SPRING STOPPER		*		1
35	11806304	PLUG		*		1
36	SS7110720SP	SCREW 11/64-40 L=7		*		1
37	11846607	SPRING		*		1
38	12132619	LOWER KNIFE BRACKET		*		1
39	12102208	THROAT PLATE BASE A		*		1
40	SS6110610TP	SCREW 11/64-40 L=6		*		2
41	12103701	RUBBER PLUG B		*		1
42	12103602	RUBBER PLUG A		*		1
43	12132700	LOWER KNIFE SLIDE STUD	FOR MO-3704E,MO-3714E	*		1
44	SS9111010SP	SCREW 11/64-40 L=9.5		*		1
45	12133104	LOWER KNIFE PRESSER PLATE		*		1
46	12132908	ROTATING STOPPER	FOR MO-3704E,MO-3714E	*		1
47	SS7090710SP	SCREW 9/64-40 L= 6.8		*		2

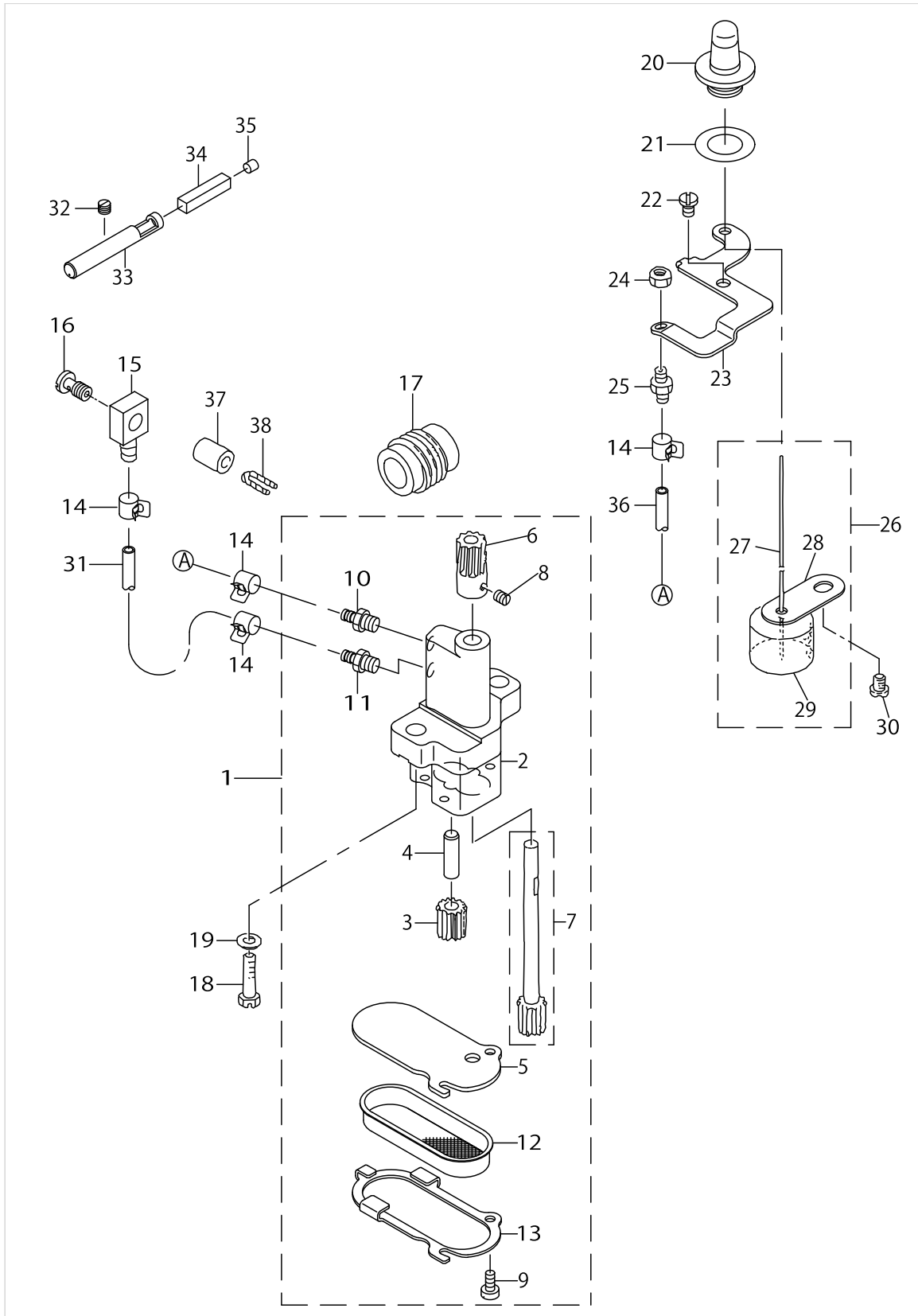
LOWER KNIFE COMPONENTS



LOWER KNIFE COMPONENTS

No.	Parts No.	Parts name	Remarks	Level	Cons	Qty
48	12132809	LOWER KNIFE SLIDE STUD	FOR MO-3716E	*		1
49	12133500	LOWER KNIFE SLIDE STUD	FOR MO-3716E-FH6-60K	*		1
50	12133005	ROTATING STOPPER	FOR MO-3716E	*		1
51	12133708	HOLDER PIN		*		3
52	B4115704000	SPRING		*		1
53	SS7151120SP	SCREW 15/64-28 L=11		*		1
54	B2739761000	WASHER		*		1
55	SS7110840SP	SCREW 11/64-40 L=7.8		*		1
56	B4122804000	ROLLER		*		1
57	B4123804000A	STOPPER ROLLER SHAFT		*		1
58	SS6151440SP	SCREW 15/64-28 L=14				2
59	11566502	LOWER KNIFE	FOR MO-3716E-FH6-60K			1

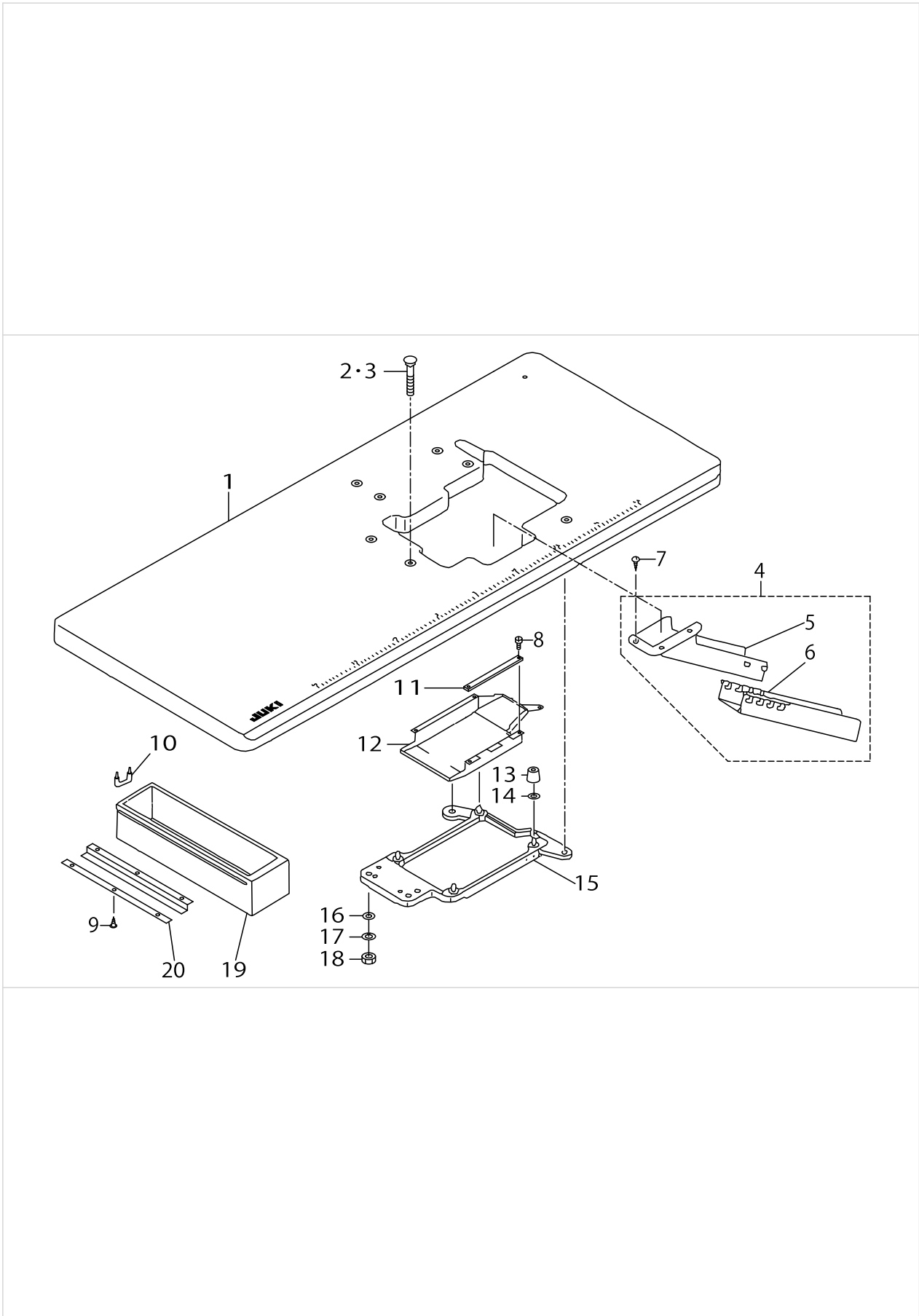
LUBRICATION MECHANISM COMPONENTS



LUBRICATION MECHANISM COMPONENTS

No.	Parts No.	Parts name	Remarks	Level	Cons	Qty
1	12255550	OIL PUMP ASM.				1
2	12255501	OIL PUMP		*		1
3	11840303	OIL PUMP PINION		*		1
4	11840402	GEAR PUMP SHAFT		*		1
5	12255600	COVER		*		1
6	11841707	WORM GEAR		*		1
7	11841855	OIL PUMP SHAFT LARGE ASM.		*		1
8	SS8110410TP	SCREW 11/64-40 L= 3.5		*		2
9	SS6090810SP	SCREW 9/64-40 L= 7.5		*		2
10	SQ1150453MZ	CONNECTING SCREW		*		1
11	SQ1150451MZ	CONNECTING SCREW		*		1
12	12255709	PUMP NET		*		1
13	12255808	PUMP NET SUPPORT		*		1
14	12256004	OIL TUBE HOLDER				4
15	SQ0000451MZ	CONNECTING SCREW				1
16	SQ1150441SD	CONNECTING SCREW				1
17	11840600	WORM				1
18	SS9152130CP	SCREW 15/64-28 L=20.5				2
19	WP0651056SH	WASHER 6.5X11X1				2
20	12130100	OIL GAUGE				1
21	12130209	RUBBER PACKING				1
22	SS4120615SP	SCREW 3/16-28 L=6				2
23	12255907	OILING EXIT SUPPORT				1
24	NS6110310SP	NUT 11/64-40				1
25	SQ1110451MZ	CONNECTING SCREW				1
26	12129854	FLOAT ASM.				1
27	12129904	OIL GAUGE BAR		*		1
28	12130001	FLOAT SUPPORT		*		1
29	12129805	FLOAT		*		1
30	SS4150715SP	SCREW 15/64-28 L=7				1
31	BP300000200	VINYL PIPE				0.2
32	SS8120410SP	SCREW 3/16-28 L=3.8				1
33	12130308	OILING PIN				1
34	12130407	OIL FELT				1
35	TA0400301M0	PLUG D=4X4.5 L=3				1
36	BP300000200	VINYL PIPE				0.3
37	11834603	OIL SUPPLY BUSH				1
38	CQ202000000	OIL WICK				0.1

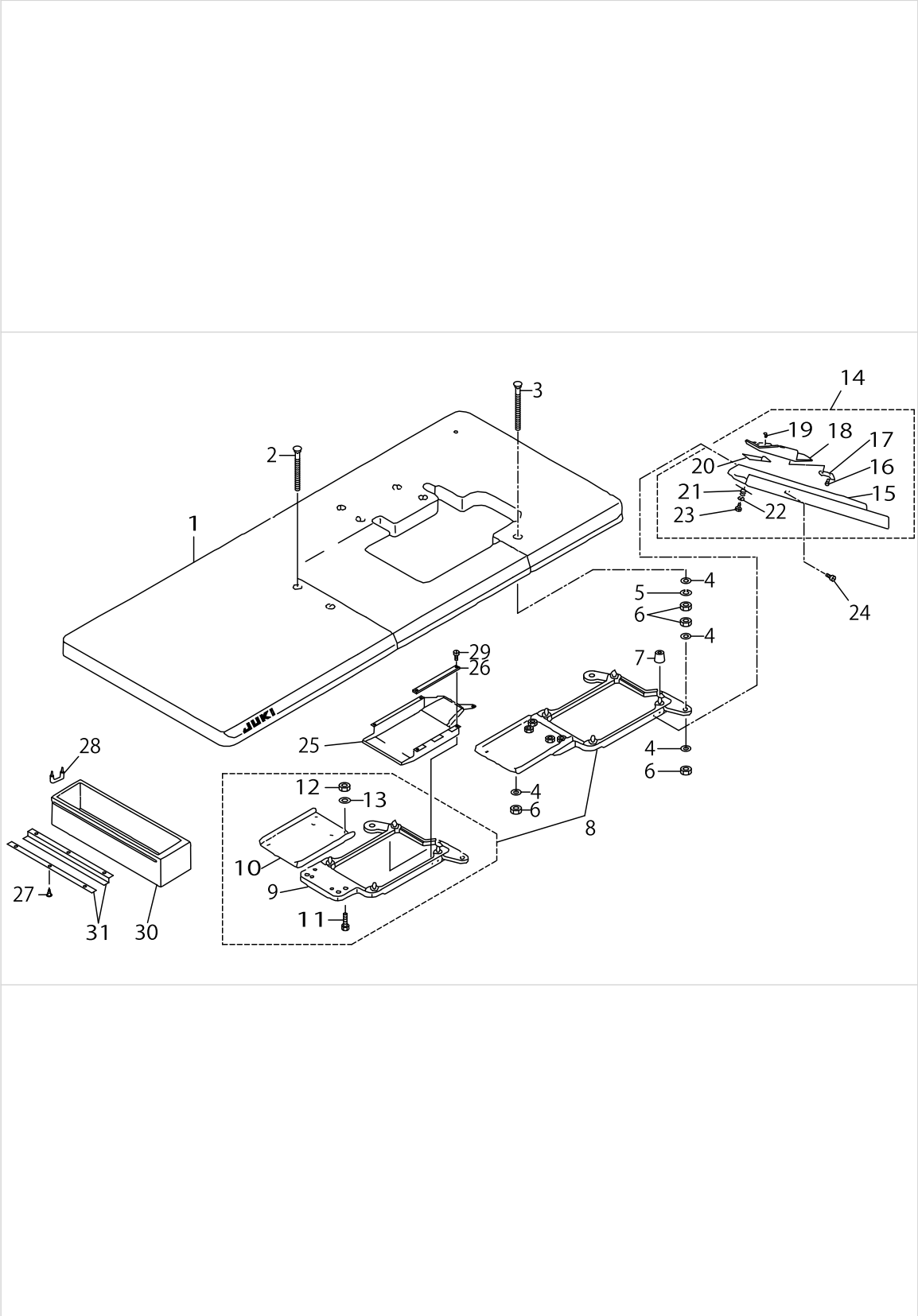
SEMI-SUNKEN TYPE TABLE COMPONENTS



SEMI-SUNKEN TYPE TABLE COMPONENTS

No.	Parts No.	Parts name	Remarks	Level	Cons	Qty
1	11959400	TABLE (SEMI-SUNKEN)				1
2	11966702	BOLT A	FOR JAPAN			4
3	11571601	BOLT A	FOR EXPORT			4
4	11960150	CLOTH WASTE CHUTE ASM.(BENCH)				1
5	11960101	CLOTH WASTE CHUTE,UPPER(BENCH)		*		1
6	11960002	CLOTH WASTE CHUTE,LOWER(BENCH)		*		1
7	SK2351600SC	WOOD SCREW D=3.5 L=16				3
8	SS6090630SP	SCREW 9/64-40 L=6				5
9	SK3311500SC	WOOD SCREW D=3.1 L=15				6
10	D8204555D00	DRAWER STOPPER				1
11	11850815	CASE SPONGE				1
12	11849411	COOLING FAN CASE				1
13	11571403	RUBBER CUSHION				4
14	11849601	SPACER				4
15	11849361	FRAME SUPPORT PLATE ASM.				1
16	WP1002036SE	WASHER 10X21X2				4
17	WS1002560KR	SPRING WASHER 10X18X2.5				4
18	NS6240630SE	NUT 3/8-18				4
19	11155108	DRAWER				1
20	11155207	DRAWER SUPPORT				2

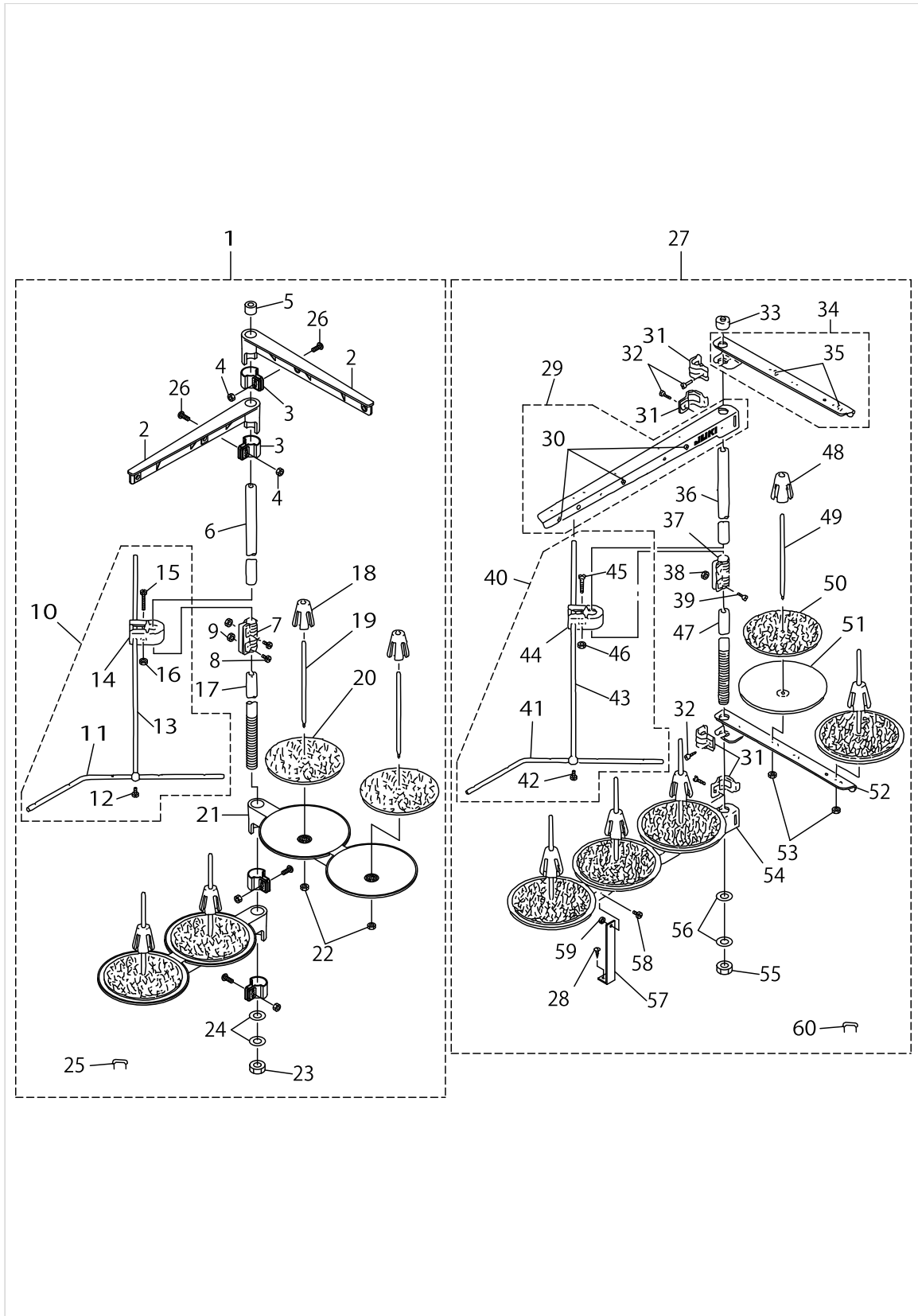
FULLY-SUNKEN TYPE TABLE COMPONENTS



FULLY-SUNKEN TYPE TABLE COMPONENTS

No.	Parts No.	Parts name	Remarks	Level	Cons	Qty
1	11959558	TABLE ASM.				1
2	11571809	BOLT C				2
3	11571908	BOLT D				2
4	WP1002036SE	WASHER 10X21X2				12
5	WS1002560KR	SPRING WASHER 10X18X2.5				4
6	NS6240630SE	NUT 3/8-18				12
7	11571403	RUBBER CUSHION				4
8	11849379	FRAME SUPPORT PLATE ASM.				1
9	11849361	FRAME SUPPORT PLATE ASM.		*		1
10	11850906	FRAME SUPPORT AUXILIARY PLATE		*		1
11	SM9082513CF	SCREW M8 L=25		*		4
12	NM6080600SM	NUT M8		*		4
13	WP0850002SC	WASHER 8.5X18X1.6		*		4
14	11960259	CLOTH CHUTE ASM.				1
15	11960200	CLOTH WASTE CHUTE		*		1
16	ST60308210A	SCREW D=3-24 L=8		*		2
17	11850401	CLOTH WASTE CHUTE INLET LEVER		*		1
18	11960309	CLOTH WASTE CHUTE HOLE		*		1
19	SS6090420SP	SCREW 9/64-40 L= 4.0		*		2
20	11850609	RUBBER		*		1
21	11850500	SPRING		*		1
22	WP0370316SD	WASHER 3.7X8X0.3		*		1
23	ST60308210A	SCREW D=3-24 L=8		*		1
24	SS5110710SP	SCREW 11/64-40 L=7				2
25	11849411	COOLING FAN CASE				1
26	11850815	CASE SPONGE				1
27	SK3311500SC	WOOD SCREW D=3.1 L=15				6
28	D8204555D00	DRAWER STOPPER				1
29	SS6090630SP	SCREW 9/64-40 L=6				5
30	11155108	DRAWER				1
31	11155207	DRAWER SUPPORT				2

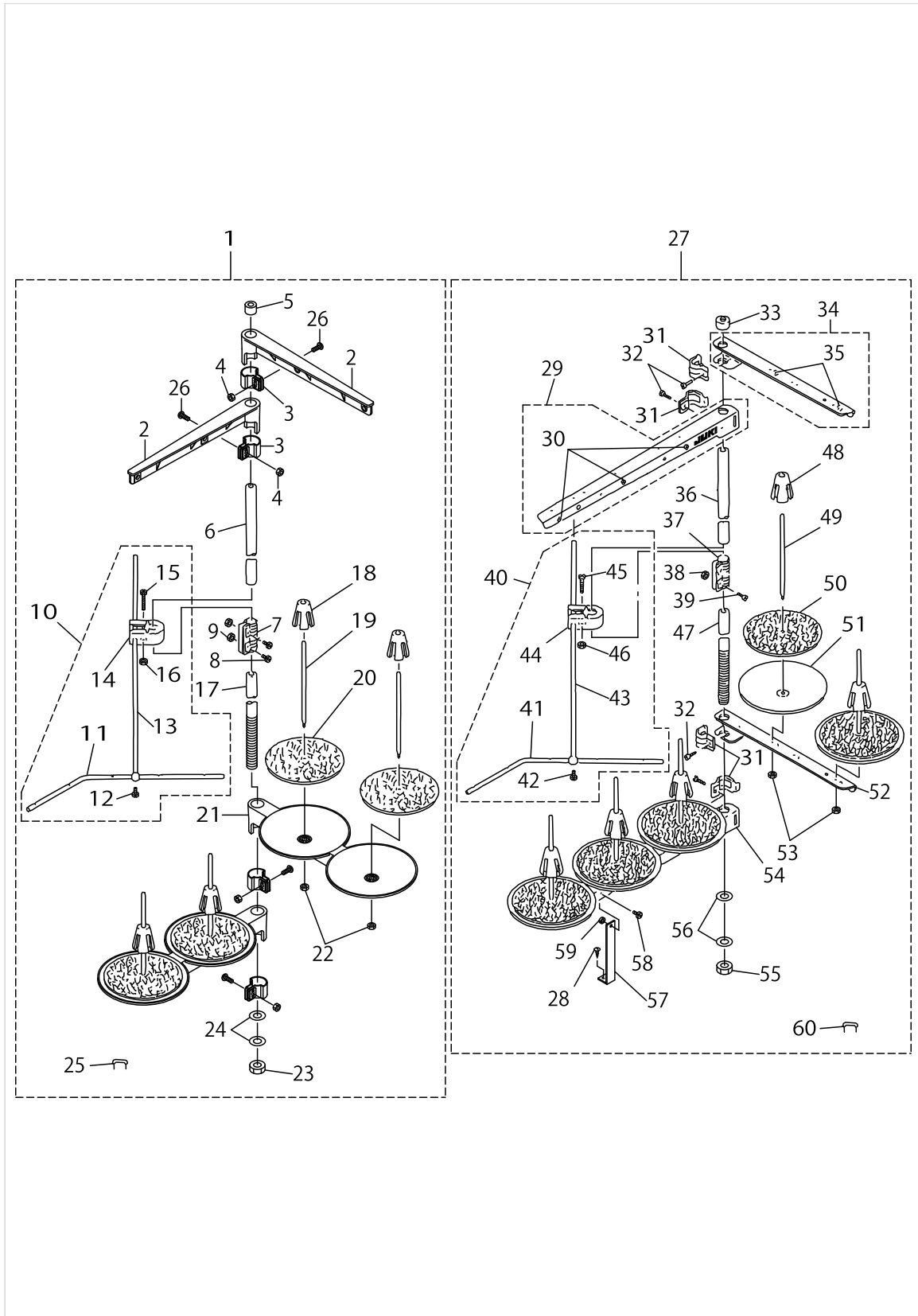
THREAD STAND COMPONENTS



THREAD STAND COMPONENTS

No.	Parts No.	Parts name	Remarks	Level	Cons	Qty
1	11969458	THREAD STANDING DEVICE ASM.	FOR MO-3704E,MO-3714E			1
2	11185352	THREAD GUIDE ASM.		*		2
3	11185402	THREAD GUIDE ARM JOINT		*		4
4	NM6050001SE	NUT M5		*		4
5	11184108	SPOOL REST ROD RUBBER CAP		*		1
6	11185204	SPOOL REST ROD,UPPER		*		1
7	B3305704000A	SPOOL REST ROD JOINT		*		1
8	SM4051405SE	SCREW M5 L=14		*		2
9	NM6050001SE	NUT M5		*		2
10	B33097040A0	THREAD GUIDE ARM ASM.		*		1
11	B3311804000	LOWER THREAD GUIDE		*		1
12	SS7110540SP	SCREW 11/64-40 L=5		*		1
13	B3309704000	THREAD GUIDE ARM		*		1
14	B3304704000A	THREAD GUIDE ARM HOLDER		*		1
15	SM6053000SE	SCREW M5X0.8 L=30		*		1
16	NM6050001SE	NUT M5		*		1
17	11185105	SPOOL REST ROD,LOWER		*		1
18	11185501	SPOOL RETAINER		*		4
19	B3320704L00A	SPOOL PIN		*		4
20	B3311012000	SPOOL REST CUSHION		*		4
21	11185006	SPOOL REST ARM		*		2
22	NM6050001SE	NUT M5		*		4
23	B3317704000	NUT		*		1
24	WP1702600S0	WASHER 17X30X2.6		*		2
25	MAO11532000	CORD STAPLE		*		3
26	SM4051405SE	SCREW M5 L=14		*		4
27	11969557	THREAD STANDING DEVICE ASM.	FOR MO-3716E			1
28	SK3382001SE	SCREW D=3.8 L=20		*		1
29	11969565	SPOOL REST ARM A ASM.		*		1
30	B3319704L00	THREAD GUIDE		*		3
31	B3318704L00A	THREAD GUIDE ARM JOINT		*		4
32	SM6061610SC	SCREW M6 L=16		*		4
33	B3311704000	SPOOL REST ROD CAP		*		1
34	11969466	THREAD GUIDE ARM B ASM.		*		1
35	B3319704L00	THREAD GUIDE		*		2
36	11185204	SPOOL REST ROD,UPPER		*		1
37	B3305704000A	SPOOL REST ROD JOINT		*		1
38	NM6050001SE	NUT M5		*		2
39	SM4051405SE	SCREW M5 L=14		*		2
40	B33097040A0	THREAD GUIDE ARM ASM.		*		1
41	B3311804000	LOWER THREAD GUIDE		*		1
42	SS7110540SP	SCREW 11/64-40 L=5		*		1
43	B3309704000	THREAD GUIDE ARM		*		1
44	B3304704000A	THREAD GUIDE ARM HOLDER		*		1
45	SM6053000SE	SCREW M5X0.8 L=30		*		1
46	NM6050001SE	NUT M5		*		1
47	11185105	SPOOL REST ROD,LOWER		*		1

THREAD STAND COMPONENTS



THREAD STAND COMPONENTS

No.	Parts No.	Parts name	Remarks	Level	Cons	Qty
48	11185501	SPOOL RETAINER		*		5
49	B3320704L00A	SPOOL PIN		*		5
50	B3311012000	SPOOL REST CUSHION		*		5
51	11966504	SPOOL REST		*		5
52	11969409	THREAD GUIDE ARM B		*		1
53	NM6050001SE	NUT M5		*		5
54	11969508	SPOOL REST ARM A		*		1
55	B3317704000	NUT		*		1
56	WP1612616SE	WASHER 16X30X2.6		*		2
57	B3321704L00	SPOOL REST ARM SUPPORT, A		*		1
58	SM4061201SE	SCREW M6 L=12		*		1
59	NM6060001SE	NUT M6		*		1
60	MAO11532000	CORD STAPLE		*		3

HOW TO MAKE USE OF THIS PARTS LIST

1.As to "#01" and "#02" refer to the "Note" given at the bottom of the respective pages.

2.Codes on the "Qty" column

- Each numeral indicates the number of parts required.
- "0.1" and "2.5" indicate the length (in meters) of the respective parts.

3.Parentheses mean that the corresponding part is a subpart that constructs an assembly part.

4.Dotted lines on the Figures indicate assembly parts.

1. リストページの# 0 1、# 0 2の印は、ページ下の"注記"の説明を参照下さい。
2. 数量欄の数字は、個数を表し、0. 1、2. 5等の数値は、長さ（単位メートル）を表します。
3. 数量欄の（ ）は、組部品を構成している子部品であることを意味します。
4. イラストページの-----枠は、組構成であることを意味します。

NUMERICAL INDEX OF PARTS

PART NO	PAGE	REF NO.	PART NO	PAGE	REF NO.	PART NO	PAGE	REF NO.
11155108	42	19	11819414	24	26	11833407	20	43
11155108	44	30	11819703	24	29	11833506	20	31
11155207	42	20	11820701	26	44	11833613	20	8
11155207	44	31	11823804	8	12	11834603	40	37
11184108	46	5	11823804	12	27	11840303	40	3
11185006	46	21	11823804	34	1	11840402	40	4
11185105	46	47	11824018	12	3	11840600	40	17
11185204	46	36	11824067	12	1	11841350	4	33
11185352	46	2	11824109	12	8	11841707	40	6
11185402	46	3	11824208	14	21	11841855	40	7
11185501	46	48	11824257	14	19	11842101	20	11
11185501	48	48	11824307	14	20	11842804	4	34
11501301	2	5	11824406	12	21	11845609	34	14
11503703	4	21	11824505	14	1	11845708	34	17
11503810	4	29	11824653	14	6	11846003	36	30-59
11503851	4	26	11824703	16	49	11846607	36	37
11503901	4	25	11824802	14	46	11847100	36	20
11510609	6	32	11824901	16	50	11848603	36	16
11529005	16	67	11825007	14	43	11849361	42	15
11529914	14	8	11825106	14	42	11849361	44	9
11530110	12	4	11825205	14	41	11849379	44	8
11539061	18	13	11825304	14	30	11849411	42	12
11550308	30	13	11825403	14	44	11849411	44	25
11550803	30	12	11825601	14	40	11849601	42	14
11550852	30	6	11825858	16	63	11850401	44	17
11565801	34	9	11826310	14	27	11850500	44	21
11566502	38	30-59	11826401	14	31	11850609	44	20
11566809	34	10	11827102	16	66	11850815	42	11
11571403	42	13	11827607	14	47	11850815	44	26
11571403	44	7	11827904	16	51	11850906	44	10
11571601	42	2-3	11828050	14	10	11872009	26	33
11571809	44	2	11828308	16	53	11872702	26	46
11571908	44	3	11828514	14	33	11873908	26	17
11650900	6	9	11828563	14	29	11874807	26	8
11802204	2	10	11828605	16	58	11880762	26	45
11803004	2	37	11829207	18	12	11882107	14	12
11804309	2	25	11829751	18	4	11882800	14	14
11804606	36	17	11829801	18	18	11887106	14	16
11805207	4	13	11831559	20	25	11887403	14	17
11806304	36	35	11831708	20	22	11890001	22	51
11810207	2	14	11831757	20	21	11890100	36	21
11811205	6	38	11831906	20	35	11890308	36	24
11819109	24	36	11833100	22	49	11894805	28	55
11819208	24	37	11833209	22	55	11899408	26	19
11819315	24	35	11833308	20	19	11899606	26	18

NUMERICAL INDEX OF PARTS

PART NO	PAGE	REF NO.	PART NO	PAGE	REF NO.	PART NO	PAGE	REF NO.
11899861	26	15	12101408	2	45	12112009	8	27
11930708	28	75	12101515	2	33	12112108	8	28
11948601	12	5	12101655	2	17	12112207	8	45
11949104	2	3	12101903	4	5	12112306	8	46
11949807	14	13	12102000	4	18	12112405	10	47
11949906	14	23	12102109	4	20	12112801	10	50
11951100	2	24	12102208	36	39	12113205	24	23
11956505	6	42	12102307	2	27	12113304	24	24
11956703	30	41	12102406	2	28	12113452	24	32
11956802	32	50	12103206	2	44	12113502	24	30
11956901	30	32	12103404	2	41	12114302	24	19
11957305	30	53	12103602	36	42	12114468	24	20
11957305	32	53	12103701	36	41	12114609	24	14
11959400	42	1	12104550	2	1	12114716	24	11
11959558	44	1	12104659	2	2	12114807	24	13
11960002	42	6	12104709	2	4	12114906	24	17
11960101	42	5	12104907	4	32	12115002	24	2
11960150	42	4	12107207	6	10	12115051	24	1
11960200	44	15	12107306	6	44	12115101	24	3
11960259	44	14	12107702	6	35	12115200	24	4
11960309	44	18	12107900	6	19	12115309	24	8
11966504	48	51	12108007	6	8	12115408	28	69
11966702	42	2-3	12108106	6	21	12115903	24	12
11969409	48	52	12108213	6	1	12116109	12	44
11969458	46	1	12108304	6	4	12116174	12	28
11969466	46	34	12108403	6	5	12116208	12	43
11969508	48	54	12109153	6	14	12116307	12	36
11969557	46	27	12109260	8	1	12116406	12	37
11969565	46	29	12109302	8	6	12116505	12	39
11991502	16	62	12109500	8	9	12116703	12	40
11991601	20	16	12109666	8	3	12117107	12	41
11991809	20	37	12109955	8	13	12117206	12	12
11991908	20	29	12110219	8	16	12117305	12	18
11992104	26	6	12110607	8	32	12118907	12	19
11992161	26	4	12110706	8	36	12120150	6	25
11999307	22	53	12110805	8	34	12120465	18	9
11999802	20	12	12110904	8	33	12120705	18	16
12004909	34	8	12111209	8	20	12120804	30	17
12015301	36	25	12111308	8	22	12120903	30	14
12015400	36	26	12111407	8	23	12121000	30	16
12100301	4	9	12111506	8	37	12121109	30	18
12100608	4	3	12111605	8	39	12121208	30	24
12100707	4	2	12111704	8	40	12121307	30	26
12101200	2	39	12111803	8	24	12121513	18	27
12101309	2	36	12111902	8	26	12121554	18	26

NUMERICAL INDEX OF PARTS

PART NO	PAGE	REF NO.	PART NO	PAGE	REF NO.	PART NO	PAGE	REF NO.
12121612	18	21	12153763	28	56	12254751	30	40
12122008	18	24	12155560	28	70	12254850	30	31
12122362	6	23	12156907	28	57	12254959	32	49
12122404	20	5	12157319	28	71	12255501	40	2
12123360	6	24	12158002	26	31	12255550	40	1
12123410	20	17	12160305	26	35	12255600	40	5
12123550	22	56	12160909	26	32	12255709	40	12
12123659	20	45	12162202	28	63	12255808	40	13
12123808	20	41	12164000	28	74	12255907	40	23
12123907	20	39	12164802	28	59	12256004	40	14
12124004	20	32	12165908	28	72	12256707	2	30
12124400	6	28	12167409	28	62	12256806	10	51
12124509	6	29	12167508	28	67	12256905	10	52
12129805	40	29	12167607	28	64	12257002	10	53
12129854	40	26	12167706	28	68	12257259	36	31~33
12129904	40	27	12167805	28	60	12257358	36	31~33
12130001	40	28	12168407	28	73	12257457	36	31~33
12130100	40	20	12168506	28	76	12257507	10	55
12130209	40	21	12168605	28	77	12258505	18	17
12130308	40	33	12168803	28	78	12259008	18	20
12130407	40	34	12171104	16	71	12273108	20	9
12130704	22	61	12172805	14	24	12273207	20	10
12130803	22	60	12173704	16	72	12273355	20	7
12132155	6	11	12174207	16	73	12280103	6	37
12132262	34	2	12176103	20	28	12288908	36	18
12132304	34	7	12176202	20	30	B1140716000	2	11
12132403	34	11	12177903	36	28	B1211804000	6	31
12132502	34	4	12250205	4	8	B1212704000	6	17
12132619	36	38	12250304	4	1	B1215804000	6	6
12132700	36	43	12250403	4	7	B1414555000	14	35
12132809	38	48-49	12250502	2	19	B1508804000	26	7
12132908	36	46	12250601	2	23	B150880400B	26	34
12133005	38	50	12252508	6	30	B1510814000	26	20
12133104	36	45	12252805	8	7	B1511814000	26	36
12133211	36	34	12252904	10	54	B1513816000	28	61
12133302	34	13	12253050	8	15	B1514816000	28	65
12133401	34	18	12253100	8	17	B1528804000A	26	2
12133500	38	48-49	12253209	8	31	B1529804000	24	40
12133708	38	51	12253811	26	1	B1530804000	26	37
12145108	6	27	12254009	20	1	B1530816F00	26	47
12145207	36	8	12254405	30	29	B1531816000	28	48
12145306	36	14	12254504	30	55	B1532816000A	28	49
12147807	2	31	12254504	32	55	B1534804000	24	22
12150702	10	56	12254603	30	56	B1534816000	28	50
12152963	26	30	12254603	32	56	B1535816000	28	51

NUMERICAL INDEX OF PARTS

PART NO	PAGE	REF NO.	PART NO	PAGE	REF NO.	PART NO	PAGE	REF NO.
B1536816000	28	52	B3113352000	30	2	NM6060001SE	48	59
B1539804000	28	79	B3120125000	30	8	NM6060003SC	24	28
B1604704000	12	33	B3120352000	30	11	NM6080600SM	44	12
B1605704000	12	29	B3120704000	30	54	NS6090310SN	2	34
B1606704000	12	38	B3120704000	32	54	NS6110310SP	40	24
B16118040A0A	12	14	B3126012000	30	10	NS6110420SP	2	12
B1620804000	12	9	B3304704000A	46	44	NS6110420SP	24	38
B1624704000	14	9	B3305704000A	46	37	NS6240630SE	42	18
B1645704000A	16	60	B3309704000	46	43	NS6240630SE	44	6
B1646704000A	14	38	B33097040A0	46	40	NS6620320SP	12	6
B1647704000A	14	37	B3311012000	46	50	NS6680410SP	4	24
B1650704000	12	23	B3311012000	48	50	PS0200052KH	30	20
B1651704000	12	25	B3311704000	46	33	PS0250062KH	18	28
B1652704000	12	22	B3311804000	46	41	PS0300062KH	22	57
B1654704000	12	7	B3317704000	46	55	PS0300132KH	12	34
B165780400T	14	22	B3317704000	48	55	PS0300142KH	24	7
B2017372000	30	9	B3318704L00A	46	31	R4200J0EDA0	36	2
B2102816000A	18	6	B3319704L00	46	35	R4305J0EEA0	36	4
B2103816000B	18	2	B3320704L00A	46	49	R4508J0EDAC	36	6
B21038160A0	18	1	B3320704L00A	48	49	R4612J0FGA0	36	12
B2105816000	18	5	B3321704L00	48	57	R4612J0HKA0	36	10
B2107816000	12	10	B4115704000	38	52	RE0500000K0	14	26
B2111716000	18	11	B4122804000	38	56	RE0900000KP	16	64
B2119816B00	18	8	B4123804000A	38	57	RO037180100	14	3
B220181600B	30	21	BP300000200	40	36	RO037180100	20	38
B2202816000	30	22	BT0600402EA	10	48	RO060150100	16	61
B2314019000	30	7	CQ200000000	20	24	RO074240100	4	27
B2401816000	30	3	CQ202000000	20	63	RO078190100	14	5
B2402716000	30	4	CQ202000000	22	63	RO108240100	8	18
B2507804000B	20	4	CQ202000000	40	38	RO110090100	24	18
B2508704000	20	36	CQ252000000	8	14	RO347350100	6	34
B2525352000	18	25	CS040051ASD	2	8	RO480120100	16	52
B2530704000	22	47	CS095081ASH	12	16	SB110000300	6	7
B2531704000	18	29	CS103121ASH	20	13	SD0260271SP	12	32
B2531704000	22	58	CS111101ESH	34	5	SD0280401SL	8	35
B2739761000	38	54	CS1201010SH	8	10	SD0600341TP	30	19
B3013141H0A	4	17	D8204555D00	42	10	SD0640241SP	24	6
B3101804000	30	43	D8204555D00	44	28	SD0720271SP	14	28
B3102804000	30	34	MAO11532000	46	60	SD0720803TH	18	7
B3103804000	32	52	MAO11532000	48	60	SK2351600SC	42	7
B3105804000	30	57	MDC270B1100	8	44	SK3311500SC	42	9
B3105804000	32	57	MDC270B1600	10	57	SK3311500SC	44	27
B3108704000	32	58	MDC270B2100	8	8	SK3382001SE	46	28
B3112704000	30	51	NM6050001SE	46	53	SL4051231SC	16	69
B3112704000	32	51	NM6050001SE	48	53	SM0081001SD	4	28

NUMERICAL INDEX OF PARTS

PART NO	PAGE	REF NO.	PART NO	PAGE	REF NO.	PART NO	PAGE	REF NO.
SM1040801SC	2	20	SS4080620TP	6	20	SS6111610SP	34	19
SM1040801SC	4	11	SS4090415SP	30	28	SS6121020SP	24	25
SM4040655SP	2	42	SS4090515SP	16	65	SS6121220TP	12	11
SM4040655SP	20	42	SS4090615SP	20	20	SS6151440SP	38	58
SM4040855SP	2	26	SS4091015SP	2	16	SS6661110SP	16	59
SM4040855SP	4	10	SS4110515SP	8	21	SS7060310SP	14	39
SM4040855SP	6	3	SS4110515SP	30	25	SS7060310SP	22	62
SM4040855SP	8	29	SS4110715SP	24	10	SS7060510SP	16	48
SM4040855SP	14	2	SS4110715SP	30	30	SS7060510SP	36	27
SM4041055SP	2	40	SS4120615SP	2	18	SS7060610SP	20	18
SM4041055SP	16	56	SS4120615SP	40	22	SS7060610SP	26	41
SM4041401SC	12	24	SS4150715SP	40	30	SS7080510TP	28	54
SM4050855SP	30	1	SS4151215SP	4	6	SS7080520SP	26	42
SM4051055SP	4	4	SS5080212TP	6	22	SS7090510SP	36	29
SM4051055SP	6	36	SS5110710SP	4	15	SS7090530SP	2	43
SM4051055SP	36	19	SS5110710SP	44	24	SS7090610SP	2	22
SM4051405SE	46	39	SS5150510SP	30	5	SS7090610SP	36	23
SM4061201SE	48	58	SS6060210SP	26	38	SS7090611SL	4	19
SM6041002TP	16	54	SS6060340SP	28	66	SS7090620TP	14	45
SM6051202TP	12	2	SS6060410TP	26	80	SS7090710SP	36	47
SM6051202TP	14	34	SS6060410TP	28	80	SS7090850SP	22	50
SM6051202TP	18	14	SS6060440TP	22	52	SS7110510SP	2	29
SM6053000SE	46	45	SS6060440TP	26	39	SS7110510SP	24	5
SM6061002TP	12	15	SS6080320SP	12	42	SS7110540SP	46	42
SM6061200SP	20	6	SS6080340SP	24	9	SS7110710SL	32	59
SM6061200SP	24	27	SS6080410SP	14	32	SS7110720SP	36	36
SM6061202TP	8	4	SS6080410SP	20	34	SS7110720TP	18	3
SM6061202TP	34	3	SS6080720SP	8	30	SS7110810SP	12	35
SM6061610SC	46	32	SS6090420SP	44	19	SS7110840SP	6	16
SM8040402TP	24	15	SS6090620SP	16	57	SS7110840SP	20	46
SM8040612TP	8	19	SS6090620TP	18	19	SS7110840SP	36	55
SM9082513CF	44	11	SS6090620TP	22	54	SS7110840SP	38	55
SQ0000451MZ	40	15	SS6090630SP	22	48	SS7110910TP	12	20
SQ1110451MZ	40	25	SS6090630SP	42	8	SS7111410SP	6	43
SQ1150441SD	40	16	SS6090630SP	44	29	SS7111410SP	24	39
SQ1150451MZ	40	11	SS6090650SP	26	58	SS7111810TP	6	15
SQ1150453MZ	40	10	SS6090650SP	28	58	SS7151120SP	38	53
SS1060210TP	36	9	SS6090670TP	8	38	SS7161040SP	24	34
SS2090520SL	2	32	SS6090810SP	40	9	SS8080310TP	8	43
SS2110910SL	36	1	SS6110610TP	36	40	SS8080322TP	2	9
SS3090610SP	2	35	SS6110710TP	12	31	SS8090410SP	20	27
SS3090610SP	20	44	SS6110710TP	18	22	SS8090530TP	8	5
SS4080610SP	14	18	SS6110710TP	24	31	SS8110410TP	2	38
SS4080610SP	18	23	SS6111040SP	34	12	SS8110410TP	12	17
SS4080610SP	26	27	SS6111440SP	2	13	SS8110410TP	14	11

NUMERICAL INDEX OF PARTS

PART NO	PAGE	REF NO.	PART NO	PAGE	REF NO.
SS8110410TP	30	23	WP1702600S0	46	24
SS8110410TP	40	8	WS0822010KP	4	23
SS8110510SP	24	21	WS1002560KR	42	17
SS8110750SP	12	30	WS1002560KR	44	5
SS8120410SP	40	32	WZ0420350KP	2	7
SS8151150SP	6	39	WZ0640312K0	30	27
SS8660330SP	14	7	WZ0850302K0	4	16
SS8660330SP	34	6	WZ2640310KH	6	33
SS8660530TP	20	14			
SS8660610TP	8	11			
SS9090410TP	20	15			
SS9090813TP	34	15			
SS9111010SP	14	25			
SS9111010SP	36	44			
SS9111050SP	14	15			
SS9151210TP	4	12			
SS9151210TP	18	30			
SS9151210TP	20	59			
SS9151210TP	22	59			
SS9151210TP	24	33			
SS9152130CP	40	18			
SS9681610TP	6	41			
ST60308210A	44	23			
TA0400301M0	40	35			
TA0750704R0	4	30			
TA0800504R0	14	4			
TA0951301R0	10	49			
TA1030402R0	12	26			
TA1250406R0	2	46			
TA1701107R0	4	31			
TA1871602R0	4	14			
TA2050416R0	12	13			
WP0250516SD	26	43			
WP0370316SD	34	16			
WP0370316SD	44	22			
WP0371016SD	16	68			
WP0480856SP	16	55			
WP0621016SD	14	36			
WP0651056SH	40	19			
WP0751576SD	4	22			
WP0764016SP	6	40			
WP0850002SC	44	13			
WP1002036SE	42	16			
WP1002036SE	44	4			
WP1612616SE	48	56			