

MODEL : MOC-3900 SUBCLASSES REV:01

List No : 0974-01

# PARTS LIST

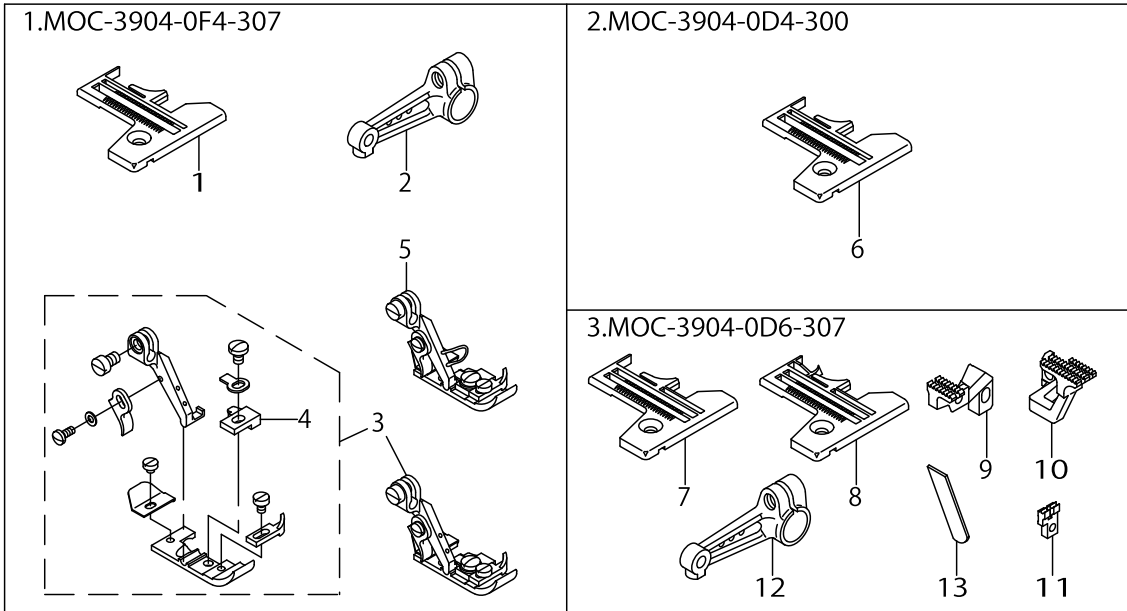
Published:09/10/2017

## CONTENTS

---

MOC-3900 SUBCLASSES (1).....	1
MOC-3900 SUBCLASSES (2).....	3
MOC-3900 SUBCLASSES (3).....	5
MOC-3900 SUBCLASSES (4).....	7
HOW TO MAKE USE OF THIS PARTS LIST .....	9

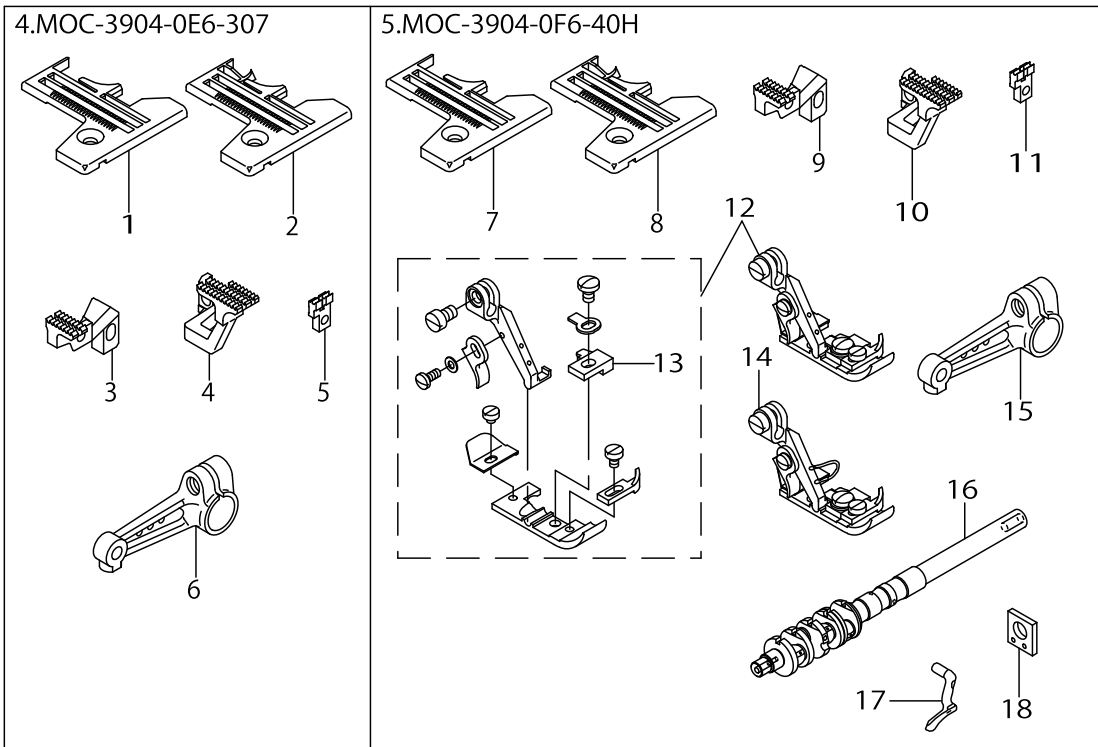
MOC-3900 SUBCLASSES (1)



MOC-3900 SUBCLASSES (1)

No.	Parts No.	Parts name	Remarks	Level	Cons	Qty
1	R4200K0FD00	THROAT PLATE				1
2	12214607	UPPER LOOPER ARM D				1
3	12230454	PRESSER FOOT ASM.				1
4	B1509804C0A	STITCH TONGUE		*		1
5	12230462	PRESSER FOOT ASM.	FOR EXPORT USE			1
6	R4200K0DD00	THROAT PLATE				1
7	R4300K0DE00	THROAT PLATE				1
8	R4300K0DE0A	THROAT PLATE	P01/Q01 EXCHANGING PARTS			1
9	12235206	MAIN FEED DOG				1
10	12236709	DIFFERENTIAL FEED DOG				1
11	12238200	AUXILIARY FEED DOG	P01/Q01 EXCHANGING PARTS			1
12	12214607	UPPER LOOPER ARM D				1
13	12220406	LOWER KNIFE				1

MOC-3900 SUBCLASSES (2)

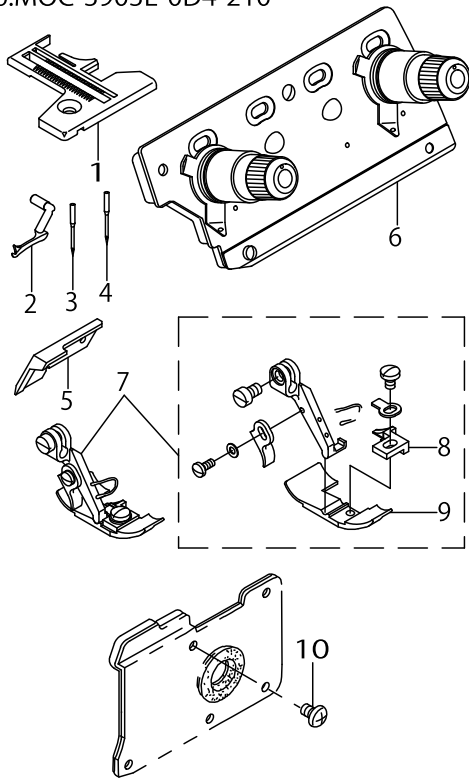


MOC-3900 SUBCLASSES (2)

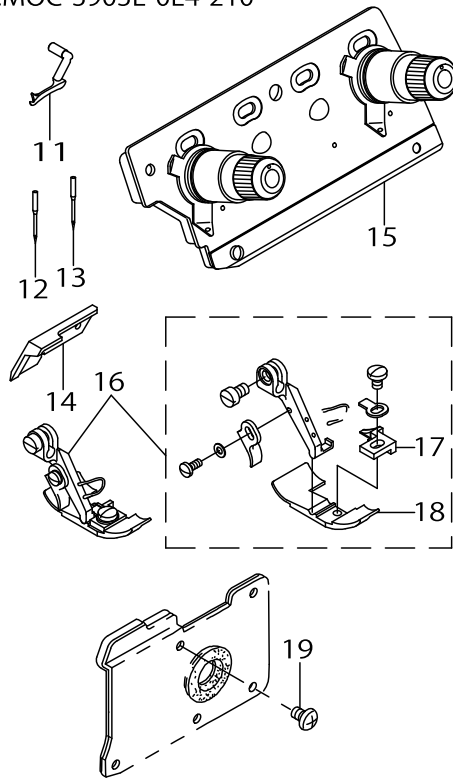
No.	Parts No.	Parts name	Remarks	Level	Cons	Qty
1	R4300K0EE00	THROAT PLATE				1
2	R4300K0EE0A	THROAT PLATE	P02/Q01 EXCHANGING PARTS			1
3	12235206	MAIN FEED DOG				1
4	12236709	DIFFERENTIAL FEED DOG				1
5	12238200	AUXILIARY FEED DOG	P02/Q01 EXCHANGING PARTS			1
6	12214607	UPPER LOOPER ARM D				1
7	R4300K0FE00	THROAT PLATE				1
8	R4300K0FE0A	THROAT PLATE	P03/Q01 EXCHANGING PARTS			1
9	12235206	MAIN FEED DOG				1
10	12236709	DIFFERENTIAL FEED DOG				1
11	12238200	AUXILIARY FEED DOG	P03/Q01 EXCHANGING PARTS			1
12	12230454	PRESSER FOOT ASM.				1
13	B1509804C0A	STITCH TONGUE		*		1
14	12230462	PRESSER FOOT ASM.	FOR EXPORT USE			1
15	12214607	UPPER LOOPER ARM D				1
16	12203709	MAIN SHAFT				1
17	12247102	UPPER LOOPER				1
18	11893609	GAUGE				1

MOC-3900 SUBCLASSES (3)

6.MOC-3903E-0D4-210



7.MOC-3903E-0E4-210

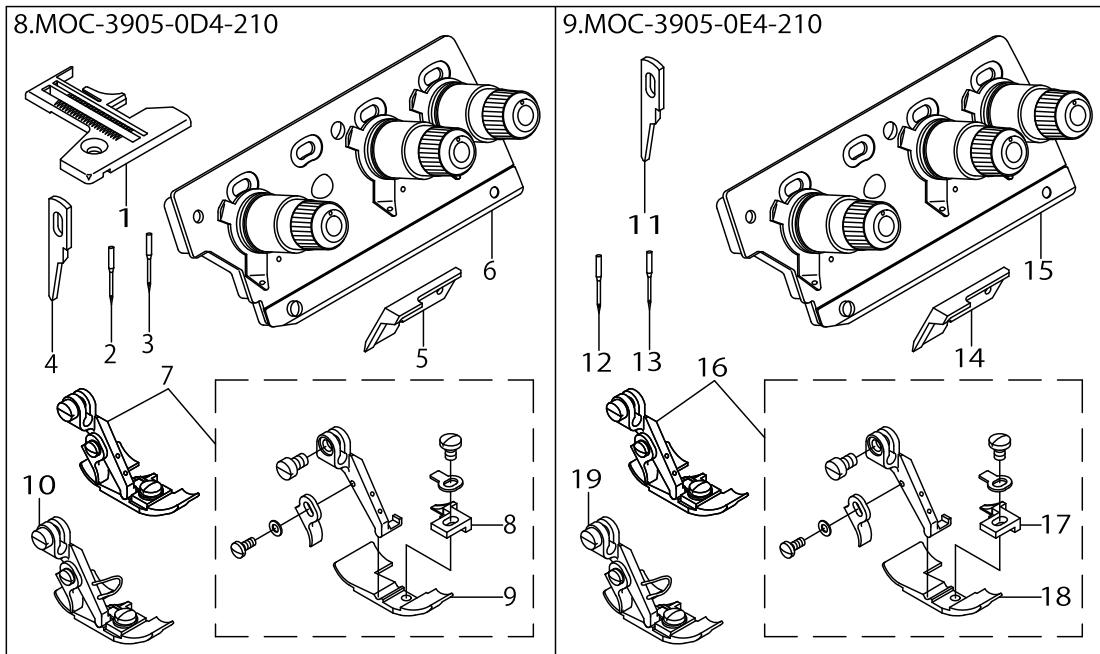


MOC-3900 SUBCLASSES (3)

No.	Parts No.	Parts name	Remarks	Level	Cons	Qty
1	R4200K0DD00	THROAT PLATE				1
2	12247508	UPPER LOOPER				1
3	MDC270B0900	NEEDLE DCX27 #9				1
4	MC033600650	NEEDLE B-27 65	FOR JE			1
5	11845906	UPPER KNIFE				1
6	12180360	THREAD GUIDE PLATE ASM.				1
7	11992161	PRESSER FOOT ASM.				1
8	11874807	STITCH TONGUE		*		1
9	11992104	PRESSER FOOT		*		1
10	SM4040655SP	SCREW				1
11	12247508	UPPER LOOPER				1
12	MDC270B0900	NEEDLE DCX27 #9				1
13	MC033600650	NEEDLE B-27 65	FOR JE			1
14	11845906	UPPER KNIFE				1
15	12180360	THREAD GUIDE PLATE ASM.				1
16	11992161	PRESSER FOOT ASM.				1
17	11874807	STITCH TONGUE		*		1
18	11992104	PRESSER FOOT		*		1
19	SM4040655SP	SCREW				1



MOC-3900 SUBCLASSES (4)



MOC-3900 SUBCLASSES (4)

No.	Parts No.	Parts name	Remarks	Level	Cons	Qty
1	R4200K0DD00	THROAT PLATE				1
2	MDC270B0900	NEEDLE DCX27 #9				1
3	MC033600650	NEEDLE B-27 65	FOR JE			1
4	11845708	KNIFE				1
5	11845906	UPPER KNIFE	FOR EXPORT USE			1
6	12180568	THREAD GUIDE PLATE ASM.				1
7	11992153	PRESSER FOOT ASM.				1
8	11874807	STITCH TONGUE		*		1
9	11992104	PRESSER FOOT		*		1
10	11992161	PRESSER FOOT ASM.	FOR EXPORT USE			1
11	11845708	KNIFE				1
12	MDC270B0900	NEEDLE DCX27 #9				1
13	MC033600650	NEEDLE B-27 65	FOR JE			1
14	11845906	UPPER KNIFE	FOR EXPORT USE			1
15	12180568	THREAD GUIDE PLATE ASM.				1
16	11992153	PRESSER FOOT ASM.				1
17	11874807	STITCH TONGUE		*		1
18	11992104	PRESSER FOOT		*		1
19	11992161	PRESSER FOOT ASM.	FOR EXPORT USE			1

## HOW TO MAKE USE OF THIS PARTS LIST

1.As to "#01" and "#02" refer to the "Note" given at the bottom of the respective pages.

2.Codes on the "Qty" column

- Each numeral indicates the number of parts required.
- "0.1" and "2.5" indicate the length (in meters) of the respective parts.

3.Parentheses mean that the corresponding part is a subpart that constructs an assembly part.

4.Dotted lines on the Figures indicate assembly parts.

1. リストページの# 0 1、# 0 2の印は、ページ下の"注記"の説明を参照下さい。
2. 数量欄の数字は、個数を表し、0. 1、2. 5等の数値は、長さ（単位メートル）を表します。
3. 数量欄の（ ）は、組部品を構成している子部品であることを意味します。
4. イラストページの-----枠は、組構成であることを意味します。

Other parts list related to this model.

この機種に関するパーツリストとして下記のパーツリストがあります。

MOC-3904-0E4,MOC-3914-BE6.....Standard model(No.0936-02)

MOC-3904-0E4,MOC-3914-BE6.....標準機種 (No.0936-02)

# NUMERICAL INDEX OF PARTS

PART NO	PAGE	REF NO.	PART NO	PAGE	REF NO.
11845708	8	11	SM4040655SP	6	19
11845906	6	14			
11845906	8	14			
11874807	6	17			
11874807	8	17			
11893609	4	18			
11992104	6	18			
11992104	8	18			
11992153	8	16			
11992161	6	16			
11992161	8	19			
12180360	6	15			
12180568	8	15			
12203709	4	16			
12214607	2	12			
12214607	4	15			
12220406	2	13			
12230454	2	3			
12230454	4	12			
12230462	2	5			
12230462	4	14			
12235206	2	9			
12235206	4	9			
12236709	2	10			
12236709	4	10			
12238200	2	11			
12238200	4	11			
12247102	4	17			
12247508	6	11			
B1509804C0A	2	4			
B1509804C0A	4	13			
MC033600650	6	13			
MC033600650	8	13			
MDC270B0900	6	12			
MDC270B0900	8	12			
R4200K0DD00	2	6			
R4200K0DD00	6	1			
R4200K0DD00	8	1			
R4200K0FD00	2	1			
R4300K0DE00	2	7			
R4300K0DE0A	2	8			
R4300K0EE00	4	1			
R4300K0EE0A	4	2			
R4300K0FE00	4	7			
R4300K0FE0A	4	8			