

MODEL : AMS-215C/AMS-215P

List No : 0963-03

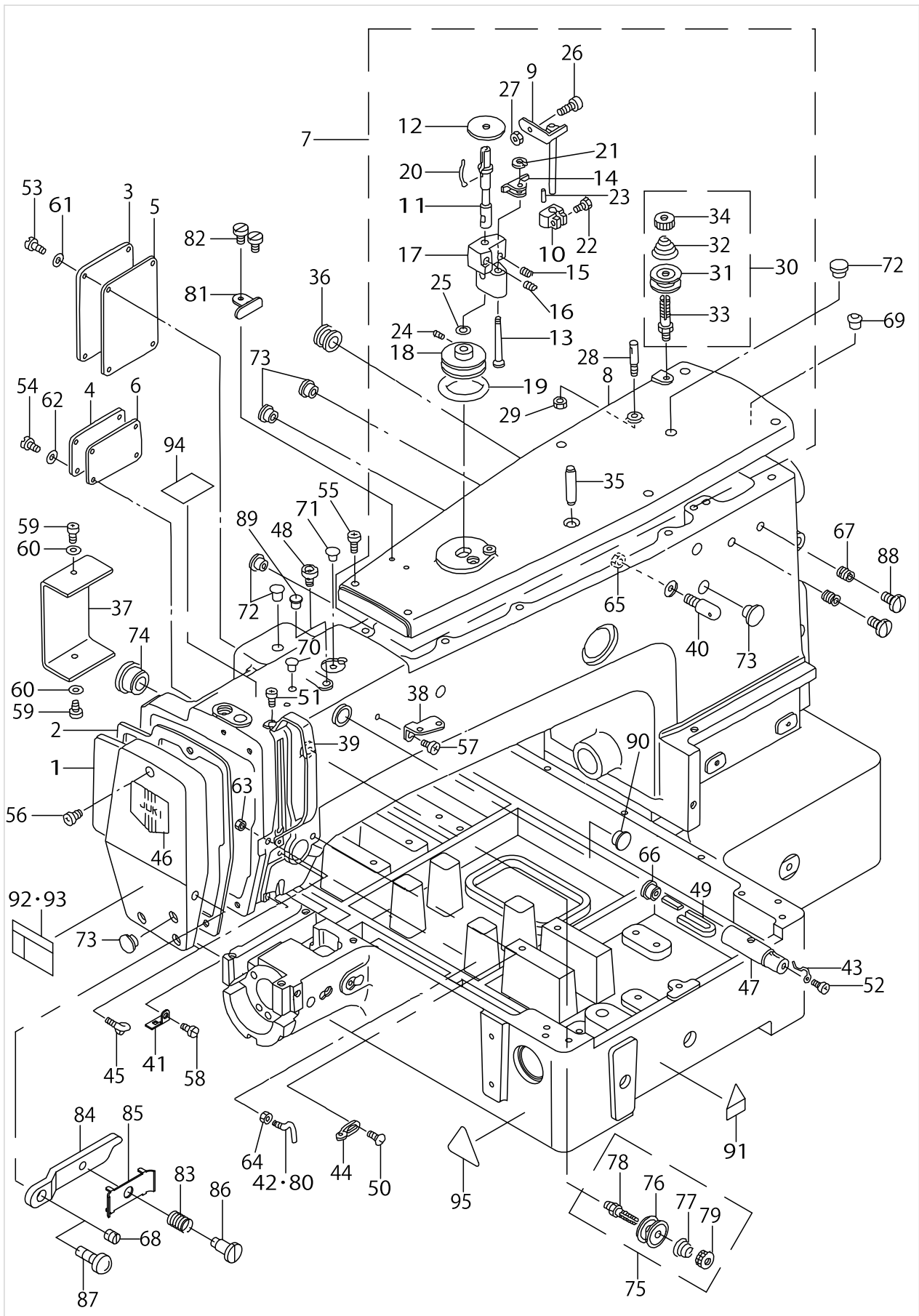
PARTS LIST

Published:09/10/2017

CONTENTS

FRAME & MISCELLANEOUS COVER COMPONENTS (1)	1
FRAME & MISCELLANEOUS COVER COMPONENTS (2)	7
FRAME & MISCELLANEOUS COVER COMPONENTS (3)	9
MAIM SHAFT & NEEDLE BAR COMPONENTS	11
PRESSER MECHANISM COMPONENTS	15
SHUTTLE DRIVER SHAFT COMPONENTS.....	19
WIPER MECHANISM COMPONENTS	25
TENSION RELEASE & TEREAD TRIMMER MECHANISM COMPONENTS	27
X-Y COMPONENTS (1)	31
X-Y COMPONENTS (2)	33
CLOTH FEED MECHANISM COMPONENTS.....	35
LUBRICATION COMPONENTS	39
SENSOR COMPONENTS	43
PNEUMATIC COMPONENTS	45
TABLE COMPONENTS.....	47
THREAD STAND COMPONENTS.....	51
CONTROL COMPONENTS.....	53
OPERATION BOX COMPONENTS.....	55
CIRCUIT BOARD COMPONENTS	57
POWER SUPPLY & CORD COMPONENTS	59
PEDAL & ELECTRIC EQUIPMENT ACCESSORIE PART COMPONENTS	61
ACCESSORIE PART COMPONENTS	63
OPTIONAL PART COMPONENTS.....	65
AMS-215P EXCLUSIVE PART COMPONENTS.....	67
HOW TO MAKE USE OF THIS PARTS LIST	71

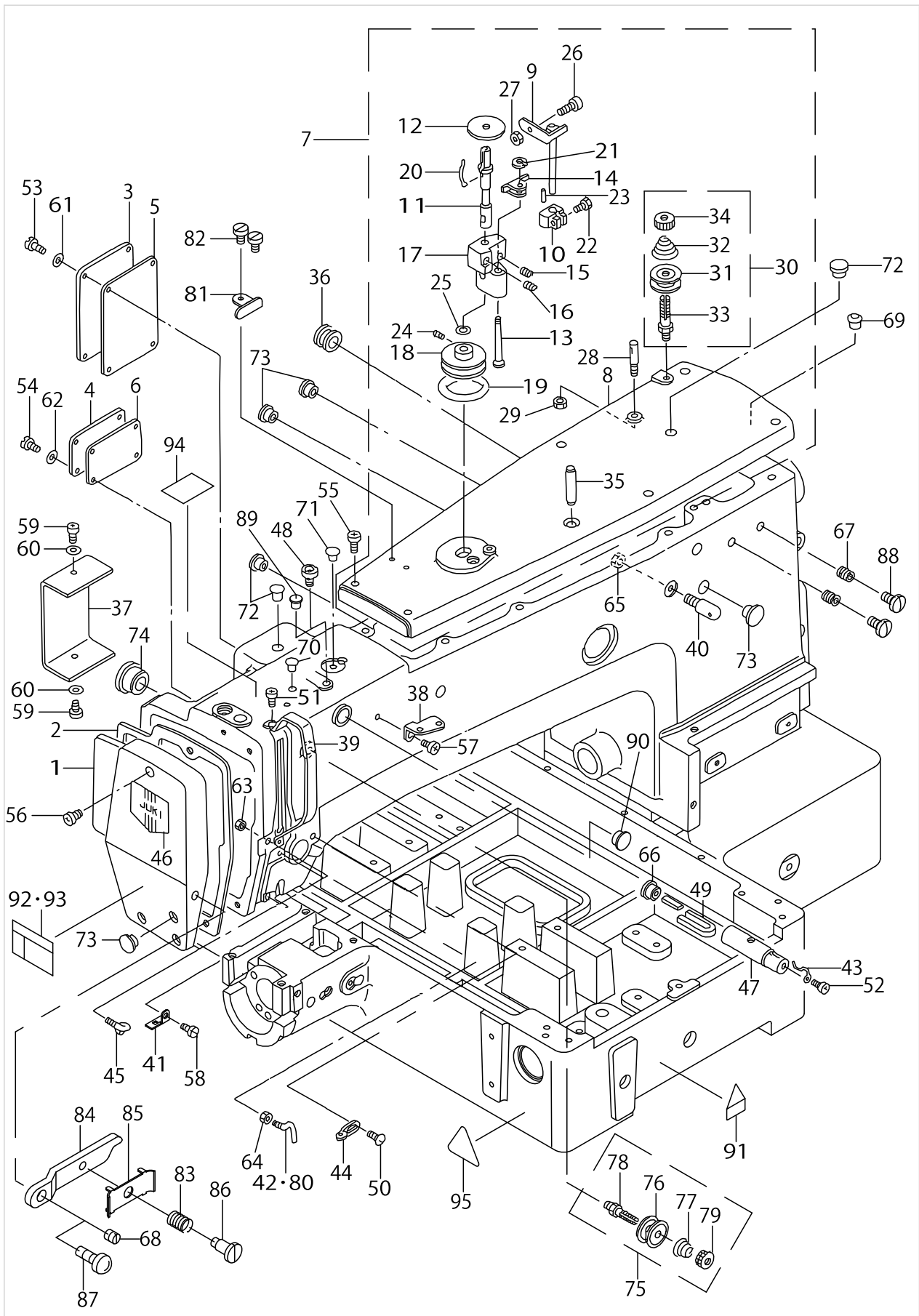
FRAME & MISCELLANEOUS COVER COMPONENTS (1)



FRAME & MISCELLANEOUS COVER COMPONENTS (1)

No.	Parts No.	Parts name	Remarks	Level	Cons	Qty
1	B110522000A	FACE PLATE				1
2	B1117220000	FACE PLATE GASKET				1
3	B112222000B	COVER (A)				1
4	B112322000B	COVER (B)				1
5	B1124220000	GASKET A				1
6	B1125220000	GASKET B				1
7	B11042200AB	TOP COVER ASM.				1
8	B110422000B	TOP COVER		*		1
9	B32012100A0	STOP LATCH ASM.		*		1
10	B3203210000	CAM		*		1
11	B3204210000	SPINDLE		*		1
12	B3205210000	CUSHION		*		1
13	B3206210000	SCREW STUD		*		1
14	B3207210000	TRIP LATCH		*		1
15	B3208210000	SPRING A		*		1
16	B3209210000	SPRING B		*		1
17	B3210210000	BOBBIN WINDER BASE		*		1
18	B3211210000	BOBBIN WINDER WHEEL		*		1
19	B3212210000	FRICITION WHEEL		*		1
20	B3212761000	LATCH SPRING		*		1
21	D2430555B00	SNAP RING		*		1
22	SS9111020TP	SCREW 11/64-40 L=10		*		1
23	PS0150065KP	SPRING PIN 1.5X6		*		1
24	SS8110520TP	SCREW 11/64-40 L= 4.5		*		2
25	WP0651056SH	WASHER 6.5X11X1		*		1
26	B3208280000	BOBBIN WINDER ADJUSTING SCREW		*		1
27	NS6110530SP	NUT 11/64-40		*		1
28	10007003	THREAD GUIDE PIN		*		1
29	NS6110310SP	NUT 11/64-40		*		1
30	B11152320A0	FIRST THREAD TENSION ASM.		*		1
31	B3126012000	THREAD TENSION DISK		*		2
32	B1115232000	FIRST THREAD TENSION SPRING		*		1
33	B3123352000	THREAD TENSION ROD		*		1
34	B3125012000	THREAD TENSION NUT		*		1
35	PS0800302KH	SPRING PIN 8X30		*		1
36	B1126210000	WIRE BUSHING				1
37	B112821000B	SWITCH COVER				1
38	B1111232000	THREAD GUIDE PLATE				1
39	13816608	BALANCE COVER				1
40	B1123280000	FIRST THREAD GUIDE				1
41	B1129210000	FRAME THREAD GUIDE (B)				1
42	B1125280000	L-SHAPED THREAD GUIDE A				1
43	B1127280000	SILICON OIL THREAD GUIDE				1
44	B1126552000	ARM THREAD GUIDE A				1
45	B3114771000	THREAD GUIDE				1
46	B1178191000	FACE PLATE DRESSING TABLE				1
47	13501309	SILICON OIL PIPE				1

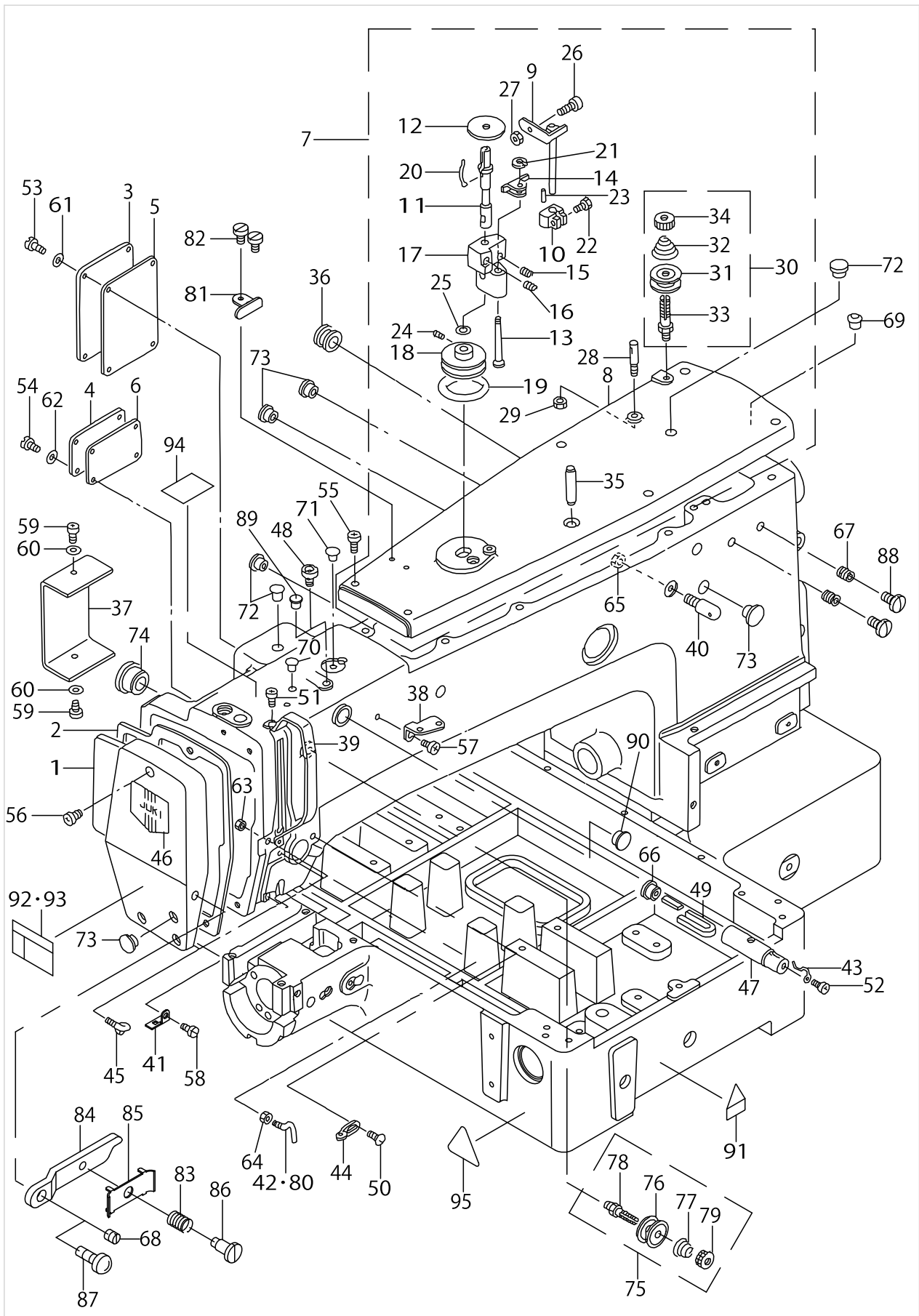
FRAME & MISCELLANEOUS COVER COMPONENTS (1)



FRAME & MISCELLANEOUS COVER COMPONENTS (1)

No.	Parts No.	Parts name	Remarks	Level	Cons	Qty
48	13501408	SILICON OIL POURING HOLE				1
49	13501705	SILICON OIL FELT				1
50	SS3090610SP	SCREW 9/64-40 L=6				1
51	SS4090715SP	SCREW 9/64-40 L=7				2
52	SS4110515SP	SCREW 11/64-40 L=5				1
53	SS4110815SP	SCREW 11/64-40 L=8				4
54	SS4110815SP	SCREW 11/64-40 L=8				4
55	SS4111015SP	SCREW 11/64-40 L=10				6
56	SS4111015SP	SCREW 11/64-40 L=10				3
57	SS4150715SP	SCREW 15/64-28 L=7				1
58	SS7110840SP	SCREW 11/64-40 L=7.8				1
59	SM4040601SC	SCREW M4X0.7 L=6				2
60	WP0430801SC	WASHER 4.3X9X0.8				2
61	WP0450000SD	WASHER 4.5X8X0.5				4
62	WP0450000SD	WASHER 4.5X8X0.5				4
63	NS6090310SP	NUT 9/64-40				1
64	NS6090310SP	NUT 9/64-40				1
65	NS6150310SP	NUT 15/64-28				1
66	TA1050504R0	RUBBER PLUG				1
67	SS8110560SP	SCREW 11/64-40 L=4.5				2
68	SS8090410TP	SCREW 9/64-40 L=3.9				1
69	B1405012000	CAP				1
70	TA0750704R0	RUBBER PLUG				1
71	TA0850604R0	RUBBER PLUG				1
72	TA1050504R0	RUBBER PLUG				3
73	TA1250406R0	RUBBER PLUG D=12.5 L=4				4
74	TA2100904R0	RUBBER PLUG				1
75	B11152320A0	FIRST THREAD TENSION ASM.				1
76	B3126012000	THREAD TENSION DISK		*		2
77	B1115232000	FIRST THREAD TENSION SPRING		*		1
78	B3123352000	THREAD TENSION ROD		*		1
79	B3125012000	THREAD TENSION NUT		*		1
80	B3118771000	TENSION THREAD GUIDE, NO.2	FOR AMS-215CGS	*		1
81	10502300	COUNTER KNIFE				1
82	SS6090620SP	FIX KNIFE				2
83	B1132521000	BOBBIN	FOR AMS-215CGS			1
84	B1145210000	SCREW DRIVER	FOR AMS-215CGS			1
85	10129104	INNER HOOK UPPER SPRING	FOR AMS-215CGS			1
86	SD0380551SL	SHUTTLE RACE RING B ASM.	FOR AMS-215CGS			1
87	SS7090910SP	GUIDE PIN	FOR AMS-215CGS			1
88	SS7110840SP	SHUTTLE	FOR AMS-215CGS			2
89	TA0750704R0	BOBBIN CASE ASM.	FOR AMS-215CGS			1
90	TA1470704R0	SPRING	FOR AMS-215CGS			1
91	CM3002000B2	BOBBIN.	FOR DOMESTIC USE			1
92	CM300200301	BOBBIN CASE ASM.	FOR DOMESTIC USE			1
93	CM3002003A1	BOBBIN.	FOR EXPORT (EXCEPT JE)			1
94	B1143210000	LABEL	FOR JE			1

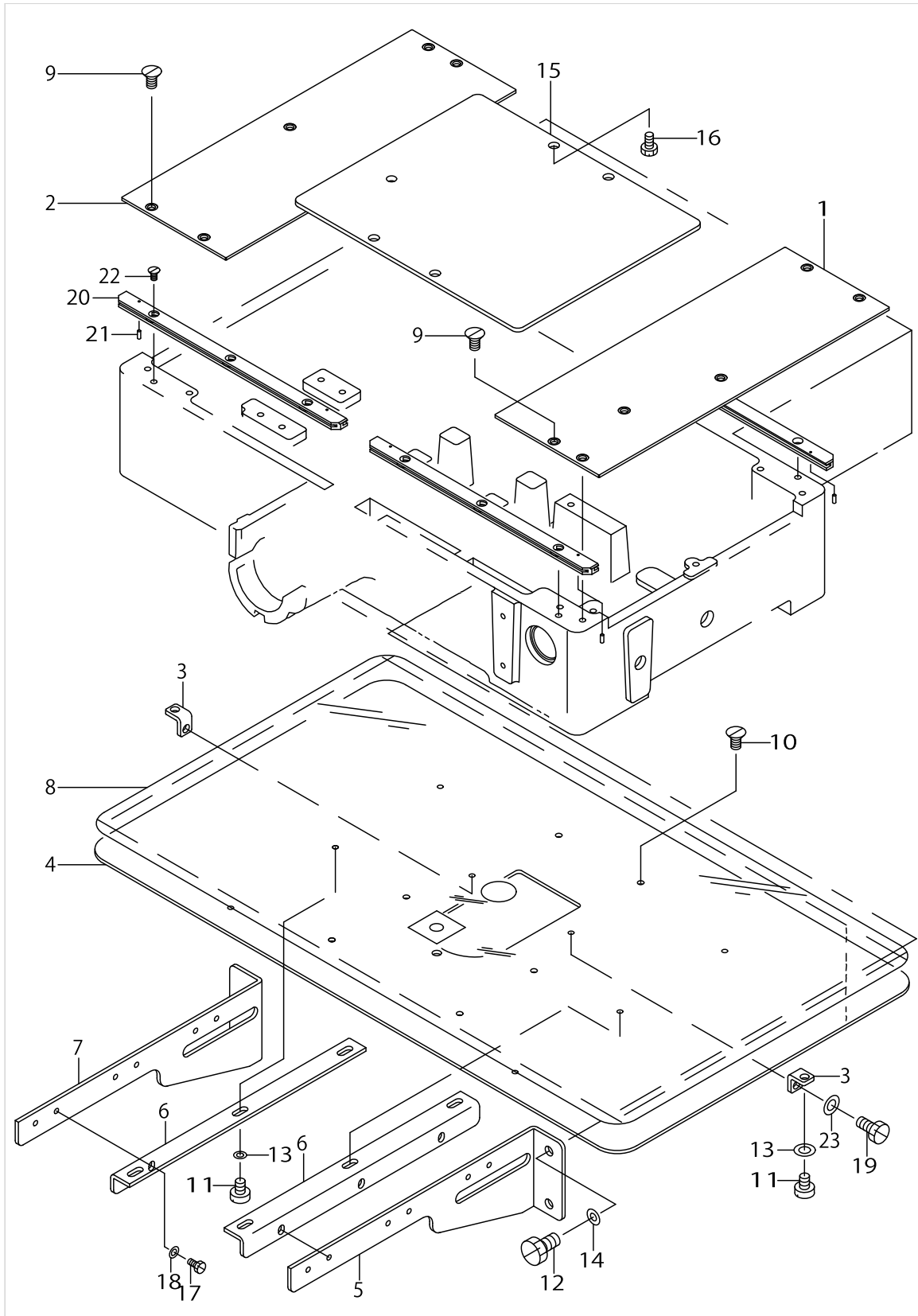
FRAME & MISCELLANEOUS COVER COMPONENTS (1)



FRAME & MISCELLANEOUS COVER COMPONENTS (1)

No.	Parts No.	Parts name	Remarks	Level	Cons	Qty
95	CM300200002	CAUTION LABEL(25)	FOR JE			1

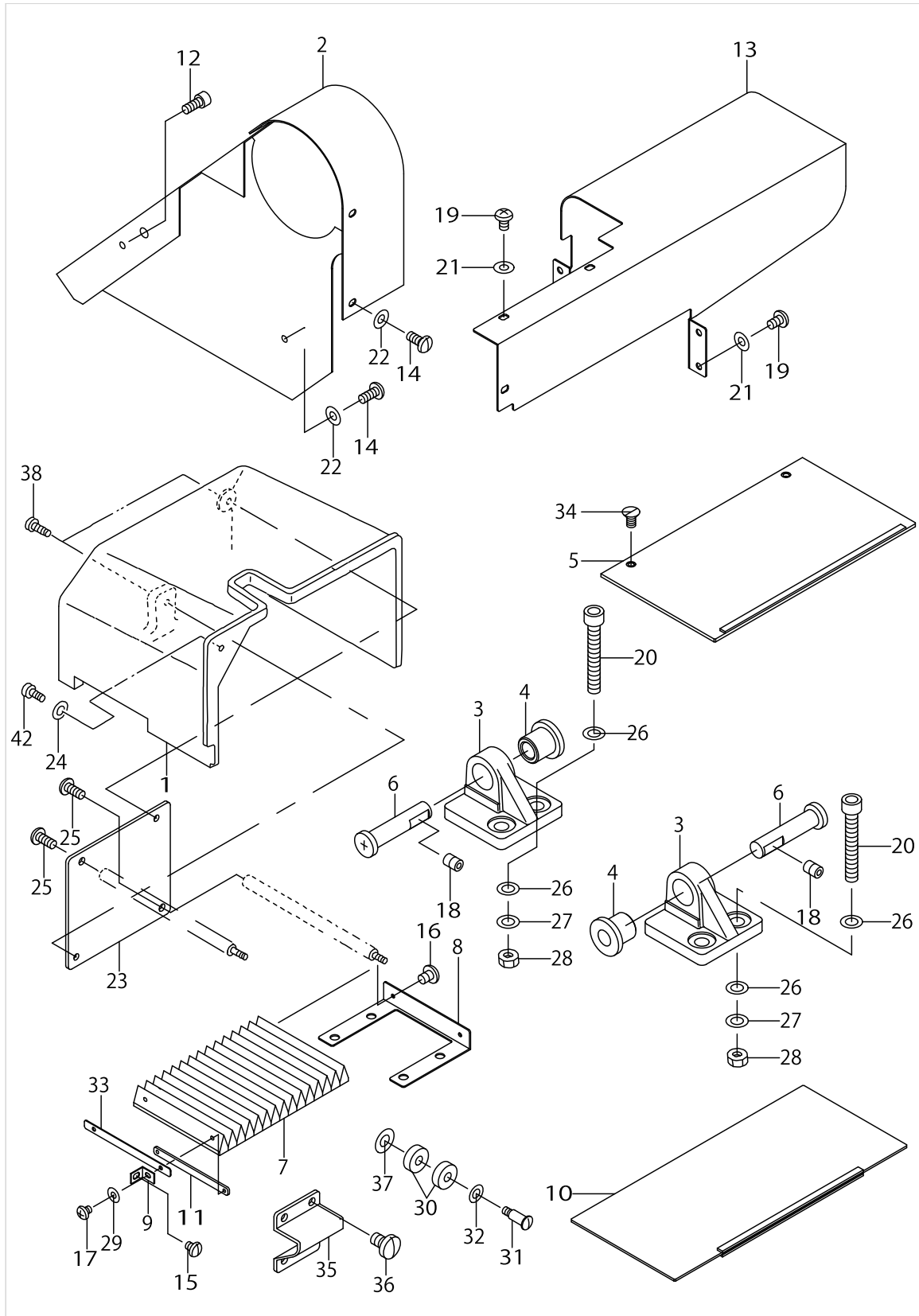
FRAME & MISCELLANEOUS COVER COMPONENTS (2)



FRAME & MISCELLANEOUS COVER COMPONENTS (2)

No.	Parts No.	Parts name	Remarks	Level	Cons	Qty
1	B1108215A00	RIGHT COVER				1
2	B1108215000	LEFT COVER				1
3	B1113210000	AUXILIARY COVER SUPPORT				2
4	B1112215000	NEEDLE PLATE AUXILIARY COVER				1
5	B1113224000	AUXILIARY COVER SUPPORT RIGHT				1
6	B1132224000	NEEDLE PLATE AUXILIARY COVER				2
7	B1121224000	AUXILIARY COVER SUPPORT LEFT				1
8	B1170215000	AUXILIARY COVER SHEET				1
9	SS1110840SP	SCREW 11/64-40 L=8				10
10	SS1110840SP	SCREW 11/64-40 L=8				2
11	SS6110610TP	SCREW 11/64-40 L=6				8
12	SS9151160CP	SCREW 15/64-28 L=10.5				4
13	WP0520656SA	WASHER 5.2X9.5X0.6				8
14	WP0621016SD	WASHER 6.2X13X1				4
15	B1502215000	PRESSER PLATE				1
16	SS9151120CP	SCREW 15/64-28 L=11				8
17	SS9110920CP	SCREW 11/64-40 L=9				6
18	WP0520656SA	WASHER 5.2X9.5X0.6				6
19	SS9121010TP	SCREW				2
20	B1181215000	X REMOVAL COVER				4
21	PS0150042K0	SPRING PIN 1.5X 4				4
22	SS1110840SP	SCREW 11/64-40 L=8				12
23	WP0520656SA	WASHER 5.2X9.5X0.6				2

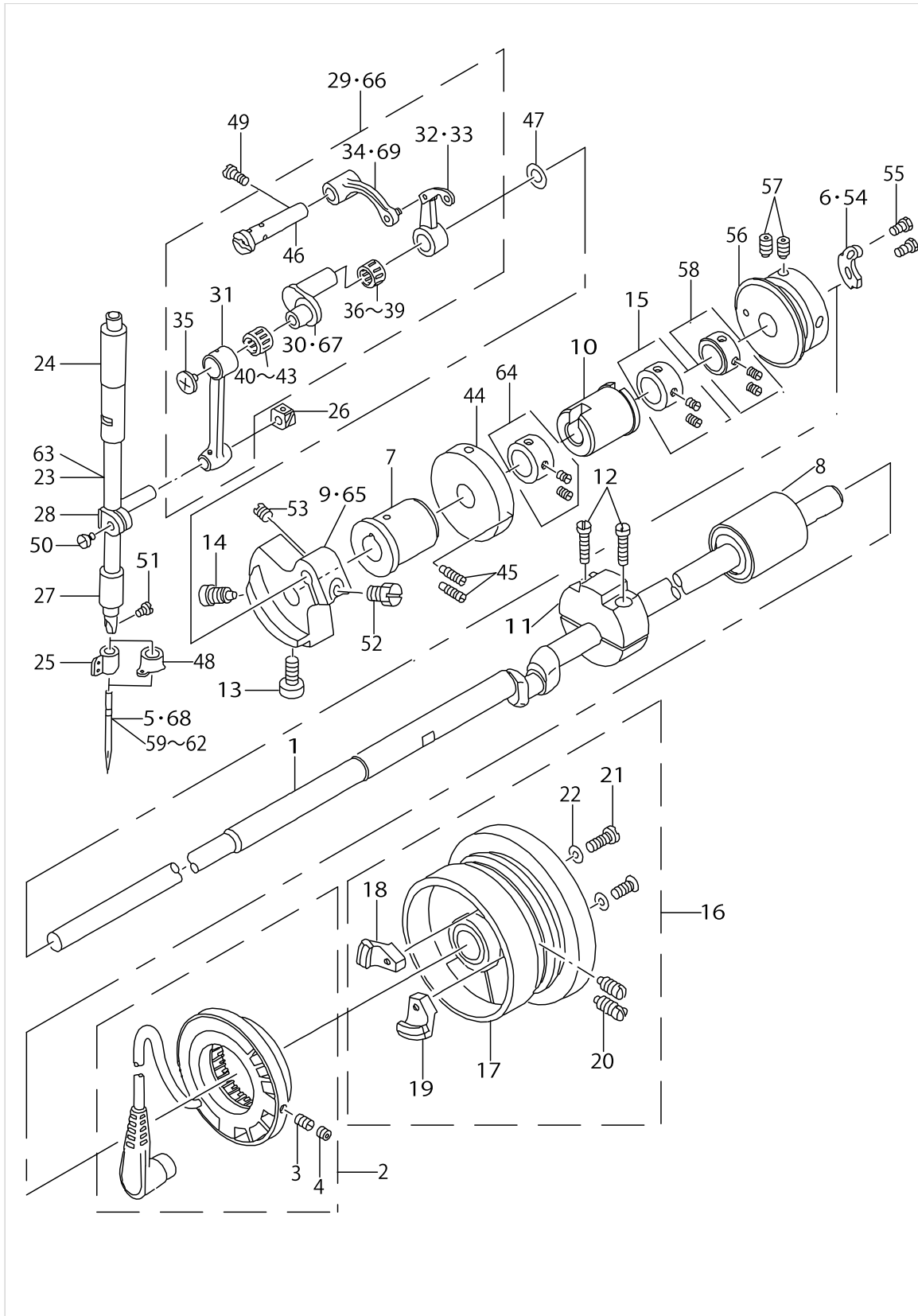
FRAME & MISCELLANEOUS COVER COMPONENTS (3)



FRAME & MISCELLANEOUS COVER COMPONENTS (3)

No.	Parts No.	Parts name	Remarks	Level	Cons	Qty
1	B1106215000	SIDE COVER				1
2	B1107215000	BELT COVER				1
3	B1111215000	BED HINGE				2
4	B1115215000	BED HINGE RUBBER PAD				2
5	B11882150A0	X REM0VAL UPPER COVER ASM.				2
6	B2529232000	FEED ACROSS REGULATOR SHAFT				2
7	B1153215000	MOVEMENT COVER				1
8	B1154215000	MOVEMENT COVER STAY				1
9	B1157215000	MOVEMENT COVER PLATE				2
10	B11872150A0	X REMOVAL LOWER COVER ASM.				2
11	B1156215000	MOVEMENT COVER FIXING PLATE.				2
12	SS6111052TP	SCREW				1
13	B1160215000	Y REM0VAL SHAFT COVER				1
14	SS4110715SP	SCREW 11/64-40 L=7				3
15	SS4120615SP	SCREW 3/16-28 L=6				2
16	SM7030450SC	SCREW M3X0.5 L=4				2
17	SM4030401SC	SCREW M3X0.5 L=4				2
18	SS8150822TP	SCREW 15/64-28 L=8				2
19	SS4110715SP	SCREW 11/64-40 L=7				7
20	SM6107002TP	SCREW M10 L=70				4
21	WP0450801SD	WASHER 4.5X10X0.8				7
22	WP0450801SD	WASHER 4.5X10X0.8				3
23	B1130215000	SIDE COVER SPACER				1
24	WP0450801SD	WASHER 4.5X10X0.8				1
25	SS7110710SP	SCREW 11/64-40 L=7				2
26	WP1052001SC	WASHER 10,5X21X2				8
27	WS1020002KN	SPRING WASHER M10				4
28	NM6100001SC	NUT M10X1.5				4
29	WP0330501SB	WASHER M3				2
30	SB108000400	BUSHING				2
31	SD0791503SP	HINGE SCREW D=7.94 H=15				1
32	WP0820816SD	WASHER 8.2X16X0.8				1
33	B1155215000	REMOVAL FIXED PLATE				1
34	SS1110840SP	SCREW 11/64-40 L=8				4
35	B1116215000	FRAME SUPPORT				1
36	SS7150910TP	SCREW 15/64-28 L=9				4
37	WP0621016SD	WASHER 6.2X13X1				1
38	SS4111015SP	SCREW 11/64-40 L=10				1

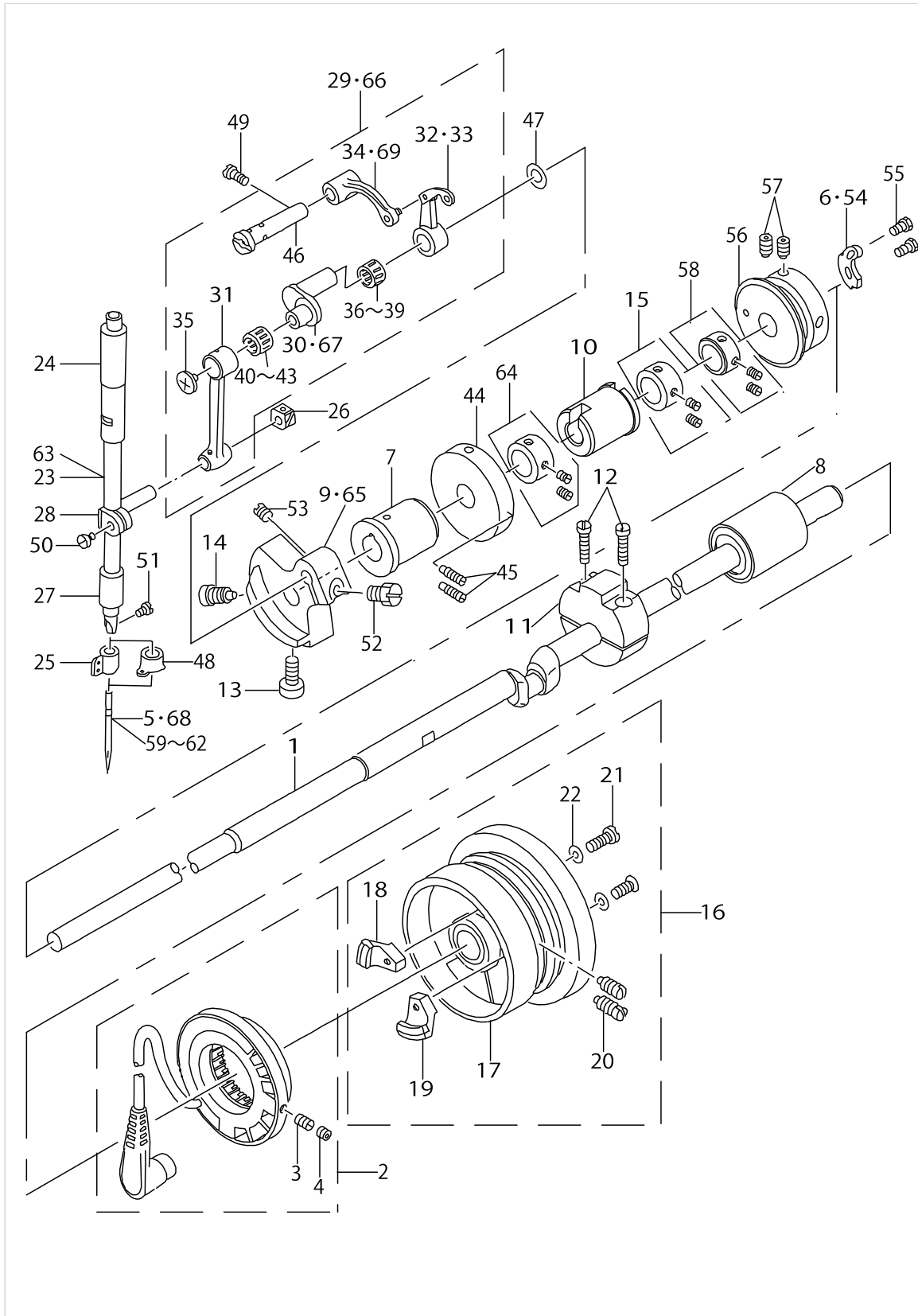
MAIM SHAFT & NEEDLE BAR COMPONENTS



MAIM SHAFT & NEEDLE BAR COMPONENTS

No.	Parts No.	Parts name	Remarks	Level	Cons	Qty
1	B1201215000	UPPER SHAFT				1
2	B12092100A0	GENERATOR STATOR ASM.				1
3	SS8111010TP	SCREW 11/64-40 L=9.5		*		2
4	SS8110422TP	SCREW 11/64-40 L=4		*		2
5	MDP170B2300	NEEDLE DPX17 #23	FOR AMS-215CGS			1
6	B2312210A00	TENSION RELEASE NOTCH	FOR AMS-215CGS			1
7	B1202210000	BUSHING, FRONT				1
8	B12042100A0	BUSHING, REAR				1
9	B1206210000	COUNTERWEIGHT				1
10	B1203215000	BUSHING INNER				1
11	B1207205000	CRANK BALANCER				1
12	SS6122510SP	SCREW 3/16-28 L=25				2
13	SS6151412TP	SCREW 15/64-28 L=14				1
14	SS6681712TP	SCREW 9/32-28 L=16.5				1
15	CS147121ESH	THRUST COLLAR ASM.D=14.72 W=12				1
16	B12052100BA	HAND WHEEL ASM.				1
17	B12052100AA	HAND WHEEL ASM.		*		1
18	M40071100AB	MAGNET FITTING BASE B ASM.		*		1
19	B12082100A0	SOLENOID INSTALLING PLATE ASM.		*		1
20	SS8151550SP	SCREW 15/64-28 L=15		*		2
21	SS6111210SP	SCREW 11/64-40 L=12		*		2
22	WP0450801SD	WASHER 4.5X10X0.8		*		2
23	B1401210000	NEEDLE BAR				1
24	B1402280000	NEEDLE ROD METAL				1
25	B1405210000	THREAD GUIDE A				1
26	B1414232000	SQUARE BLOCK				1
27	B1403280000	NEEDLE ROD LOWER METAL				1
28	B14115520A0	NEEDLE BAR CONNECTING ASM.				1
29	B19012800B0	LINK BALANCE ASM.				1
30	B1203280000	NEEDLE ROD CRANK		*		1
31	B1404280000	NEEDLE BAR CRANK ROD		*		1
32	B19012800A0	BALANCE ASM.		*		1
33	B19012100A0	THREAD TAKE-UP LEVER COMPL.	FOR AMS-215CGS	*		1
34	B1903280000	THREAD TAKE-UP CRANK		*		1
35	B1903552000	LEFT SCREW		*		1
36	B1905541A00	NEEDLE BEARING, A	SELECTIVE PART	*		1
37	B1905541B00	NEEDLE BEARING	SELECTIVE PART	*		1
38	B1905541C00	NEEDLE BEARING	SELECTIVE PART	*		1
39	B1905541D00	NEEDLE BEARING	SELECTIVE PART	*		1
40	B1411804A00	BEARING (A)	SELECTIVE PART	*		1
41	B1411804B00	NEEDLE DRIVING LEVER BEARING B	SELECTIVE PART	*		1
42	B1411804C00	NEEDLE DRIVING LEVER BEARING C	SELECTIVE PART	*		1
43	B1411804D00	BEARING (D)	SELECTIVE PART	*		1
44	B3213205000	BOBBIN WINDER DRIVING WHEEL				1
45	SS8111610SP	SCREW 11/64-40 L=15.5				2
46	B1904280000	BALANCE CRANK PIN				1
47	B1223771000	NEEDLE ROD CRANK WASHER				1

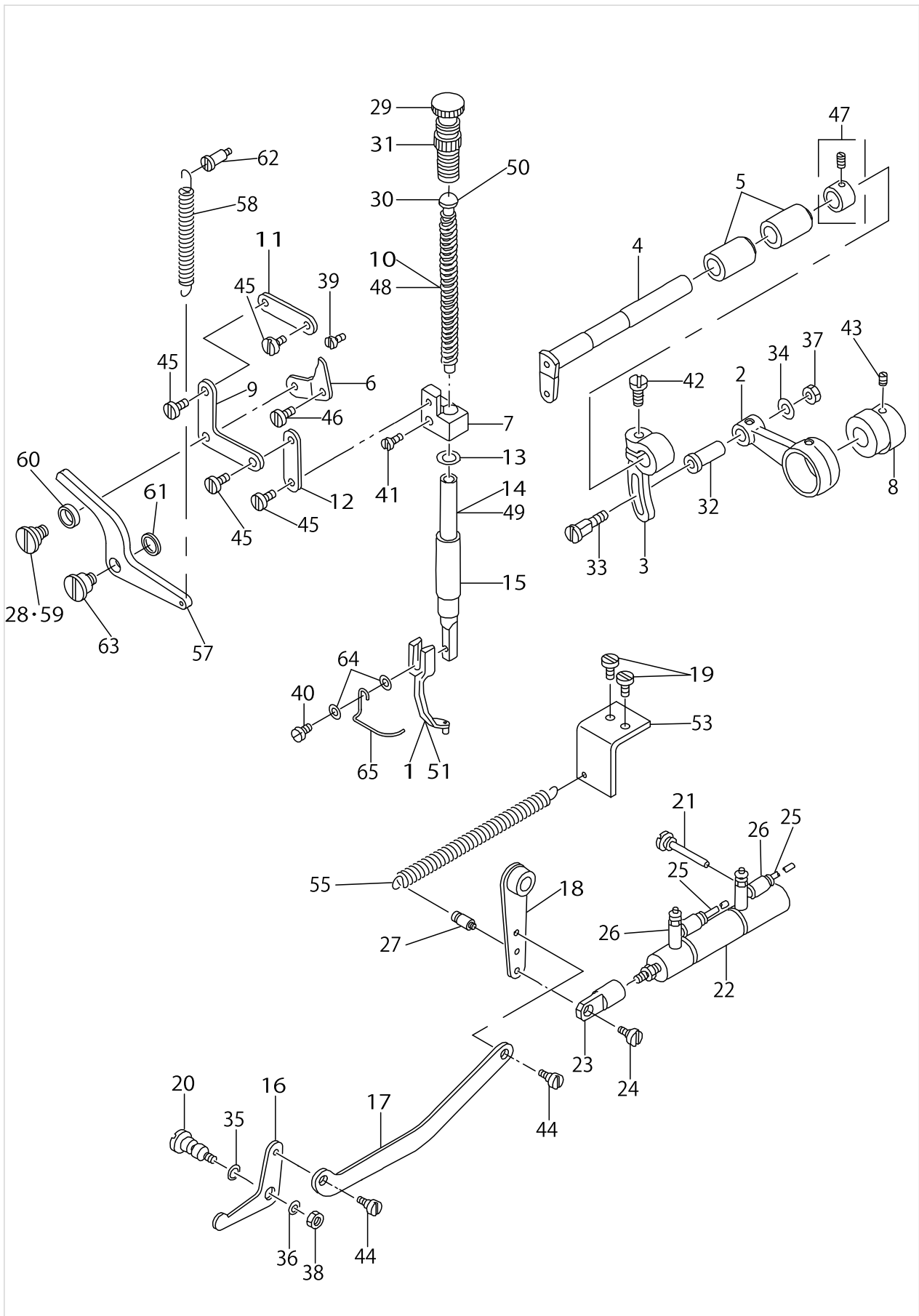
MAIM SHAFT & NEEDLE BAR COMPONENTS



MAIM SHAFT & NEEDLE BAR COMPONENTS

No.	Parts No.	Parts name	Remarks	Level	Cons	Qty
48	B1406210000	THREAD GUIDE	FOR AMS-215C(EXPECT CSS)			1
49	SS7151120SP	SCREW 15/64-28 L=11				1
50	SS6090670TP	SCREW 9/64-40 L=6				1
51	SS7080510TP	SCREW 1/8-44 L=4.5				1
52	SS9661230CP	SCREW 1/4-40 L=12				1
53	SS8660610TP	SCREW 1/4-40 L=6				1
54	B2312220000	TENSION RELEASE NOTCH				1
55	SS9090833TP	SCREW				2
56	B2401205000	THREAD TRIMMER CAM				1
57	SS8661012TP	SCREW				2
58	CS1470710SH	THRUST COLLAR ASM. D=14.72 W=7				1
59	MDP500B1400	NEEDLE DPX5 #14				1
60	MC200501000	NEEDLE #100	FOR AMS-215CSS(FOR JE)			1
61	MDP170B1800	NEEDLE DPX17 #18	FOR AMS-215CHS			1
62	MC372001100	NEEDLE 135X17 #110	FOR AMS-215CHS(FOR JE)			1
63	B1401210A00	NEEDLE BAR	FOR AMS-215CGS			1
64	CS147121ASH	THRUST COLLAR ASM.D=14.72 W=12				1
65	B1206210A00	COUNTERWEIGHT	FOR AMS-215CGS			1
66	B19012100B0	THREAD TAKE-UP LEVER ASM.	FOR AMS-215CGS			1
67	B1407210000	NEEDLE BAR CRANK	FOR AMS-215CGS	*		1
68	MC372001600	NEEDLE SY3355 160	FOR AMS-215CGS JE			1
69	B1903210000	THREAD TAKE-UP CRANK	FOR AMS-215CGS	*		1

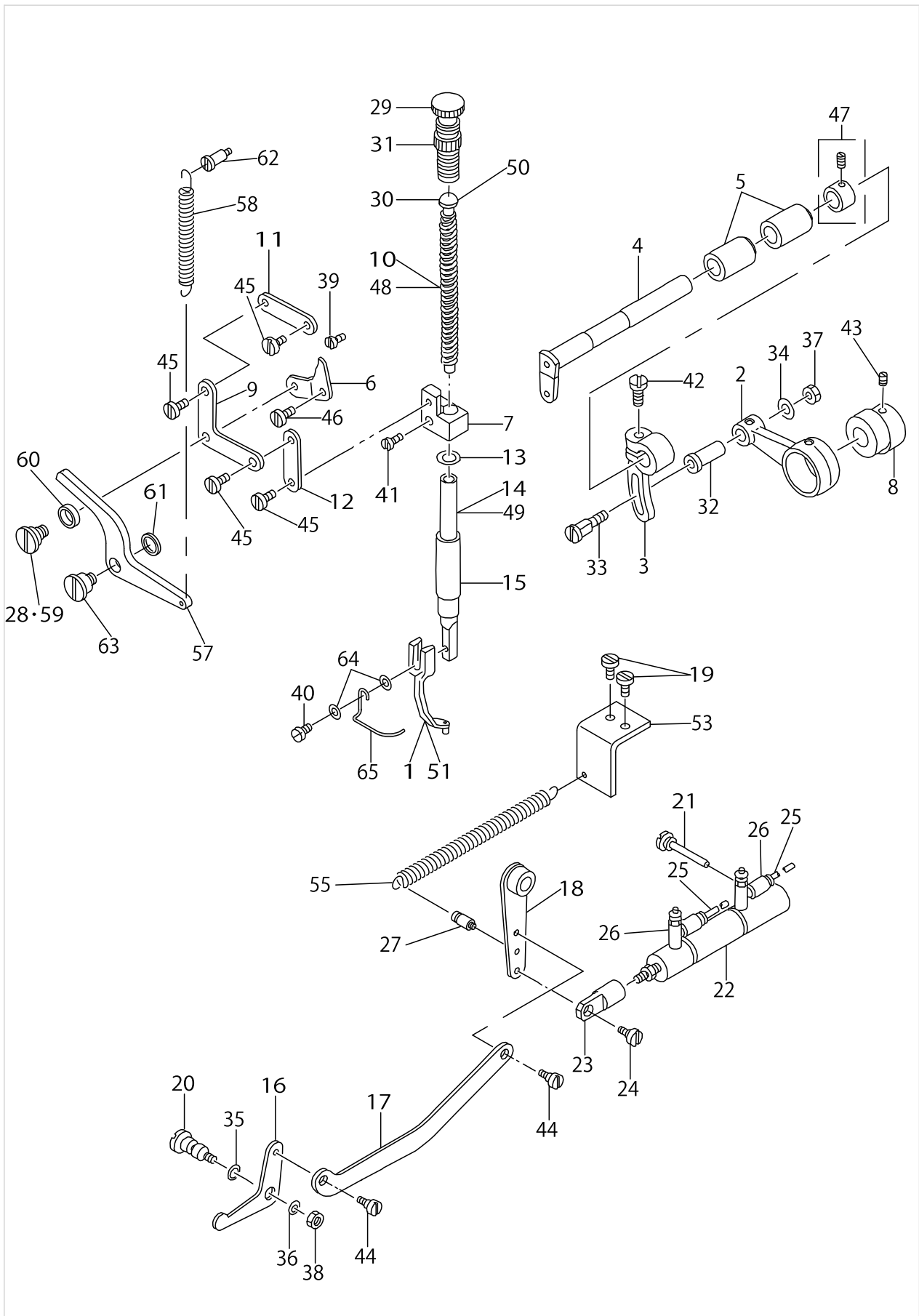
PRESSER MECHANISM COMPONENTS



PRESSER MECHANISM COMPONENTS

No.	Parts No.	Parts name	Remarks	Level	Cons	Qty
1	B1601220000	INTERMEDIATE PRESSER A				1
2	B1602220000	INTERMEDIATE PRESSER ROD				1
3	B1603220000	INTERMEDIATE PRESSER ROD ARM				1
4	B1604220000	INTERMEDIATE PRESSER SHAFT				1
5	B1605220000	INTERMEDIATE PRESSER BUSHING				2
6	B1606220000	POSITIONING LINK				1
7	B1608220000	GUIDE BRACKET				1
8	B1609220000	CAM				1
9	B1610220000	L-SHAPED LINK				1
10	B1611220000	SPRING				1
11	B1612220000	SUSPENSION LINK A				1
12	B1613220000	SUSPENSION LINK B				1
13	B1614220000	SPACER				1
14	B1615220000	PRESSER BAR				1
15	B1616220000	PRESSER BAR BUSHING, LOWER				1
16	B1620224000	LIFTING LINK				1
17	B1621224000	CONNECTING LINK				1
18	B16222240A0	CONNECTING LINK ARM ASM.				1
19	SS7110840SP	SCREW 11/64-40 L=7.8	FOR AMS-215CGS			2
20	B1627220000	LINK PIVOT PIN				1
21	B1628220000	CYLINDER SUPPORT SCREW				1
22	PA1603003A0	INTERMEDIATE PRESSER CYLINDER				1
23	B1625224000	CYLINDER KNUCKLE				1
24	SD0640321SP	HINGE SCREW D= 6.35 H= 3.2				1
25	BT0400251EB	URETHANE HOSE, BLACK				1.7
26	PC010508000	SPEED CONTROLLER				2
27	10120004	SPRING SUSPENSION	FOR AMS-215CGS			1
28	SD0640321TP	HINGE SCREW D=6.35 H=3.2				1
29	11071602	PRESSER SPRING REGULATOR				1
30	B1510227000	PRESSER GUIDE BAR				1
31	11071701	NUT				1
32	D1455055B00	CONNECTING STUD				1
33	D1456055B00	HINGE SCREW				1
34	D1457055B00	WASHER				1
35	RO048190100	RUBBER RING				1
36	WP0612066SP	WASHER 6.1X11X2				1
37	NS6110530SP	NUT 11/64-40				1
38	NS6150430SP	NUT 15/64-28				1
39	SS6150710SP	SCREW				1
40	SS7091110SP	SCREW 9/64-40 L=10.5				1
41	SS7111410TP	SCREW 11/64-40 L=14				1
42	SS7661540SP	SCREW 1/4-40 L=15.0				1
43	SS8660610TP	SCREW 1/4-40 L=6				2
44	SD0640321SP	HINGE SCREW D= 6.35 H= 3.2				2
45	SD0640321TP	HINGE SCREW D=6.35 H=3.2				4
46	SD0720321TP	HINGE SCREW				1
47	CS111101CSH	THRUST COLLAR ASM.D=11.11 W=10				1

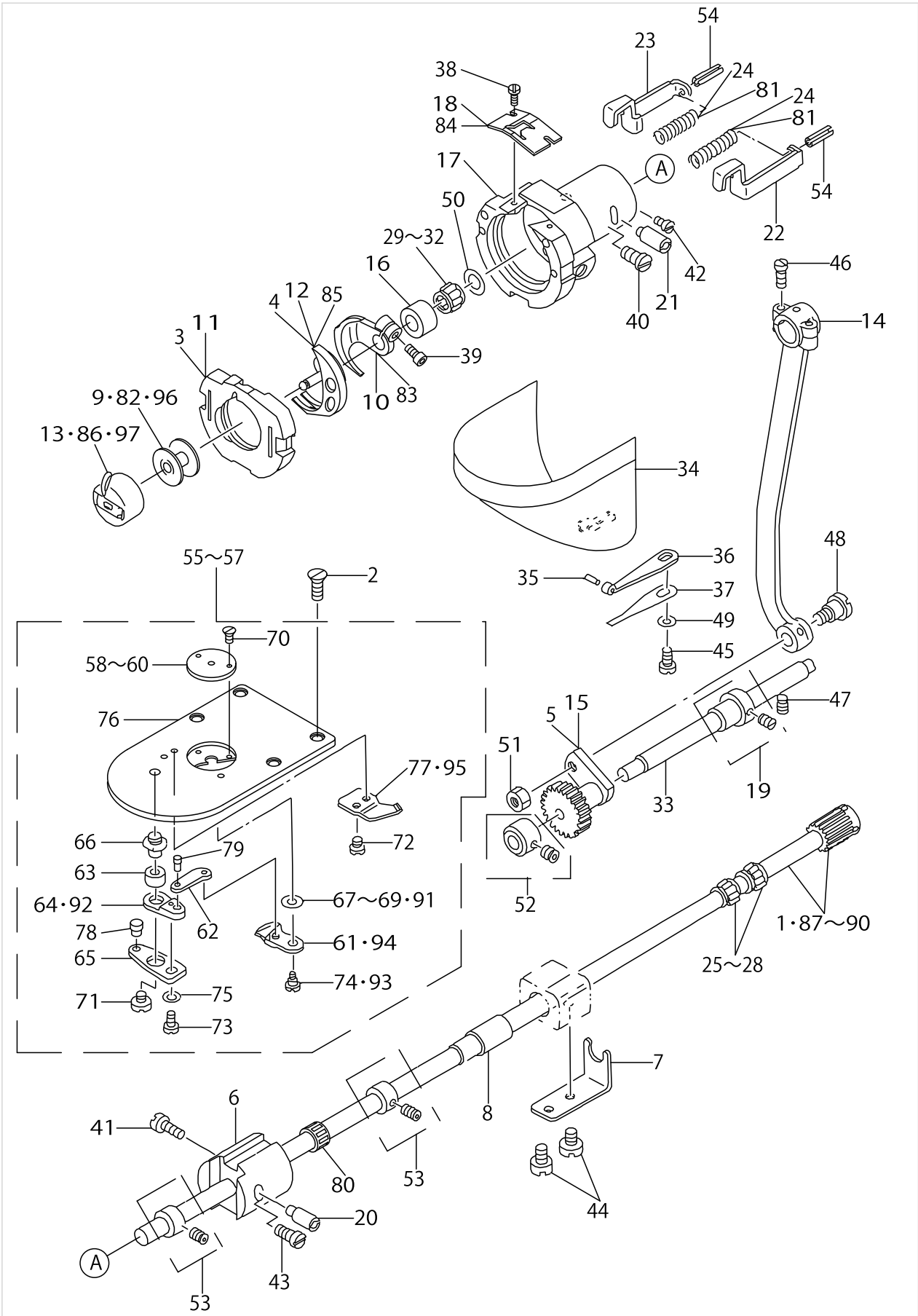
PRESSER MECHANISM COMPONENTS



PRESSER MECHANISM COMPONENTS

No.	Parts No.	Parts name	Remarks	Level	Cons	Qty
48	B1611224000	SPRING	FOR AMS-215CHS,CGS			1
49	B1615224000	PRESSER BAR	FOR AMS-215CHS,CGS			1
50	B1629224000	PRESSER GUIDE BAR	FOR AMS-215CHS,CGS			1
51	B160122000G	INNER PRESSER G				1
52	B1611224000	SPRING				1
53	B1612215000	LIFTING SPRING PLATE	FOR AMS-215CGS			1
54	B1615224000	PRESSER BAR				1
55	B1626215000	PRESSER LIFTING SPRING	FOR AMS-215CGS			1
56	B1629224000	PRESSER GUIDE BAR				1
57	B1641215000	PRESSER PLATE	FOR AMS-215CGS			1
58	B1642215000	SPRING B	FOR AMS-215CGS			1
59	B1644215000	HINGE SCREW	FOR AMS-215CGS			1
60	B1645215000	PRESSER LINK	FOR AMS-215CGS			1
61	B322877100B	BOBBIN WINDER SPACER	FOR AMS-215CGS			1
62	SD0550501SP	HINGE SCREW D=5.5 H=5	FOR AMS-215CGS			1
63	SD0720321TP	HINGE SCREW	FOR AMS-215CGS			1
64	WP0430800SC	WASHER M4				2
65	B1634210000	FINGER GUARD				1

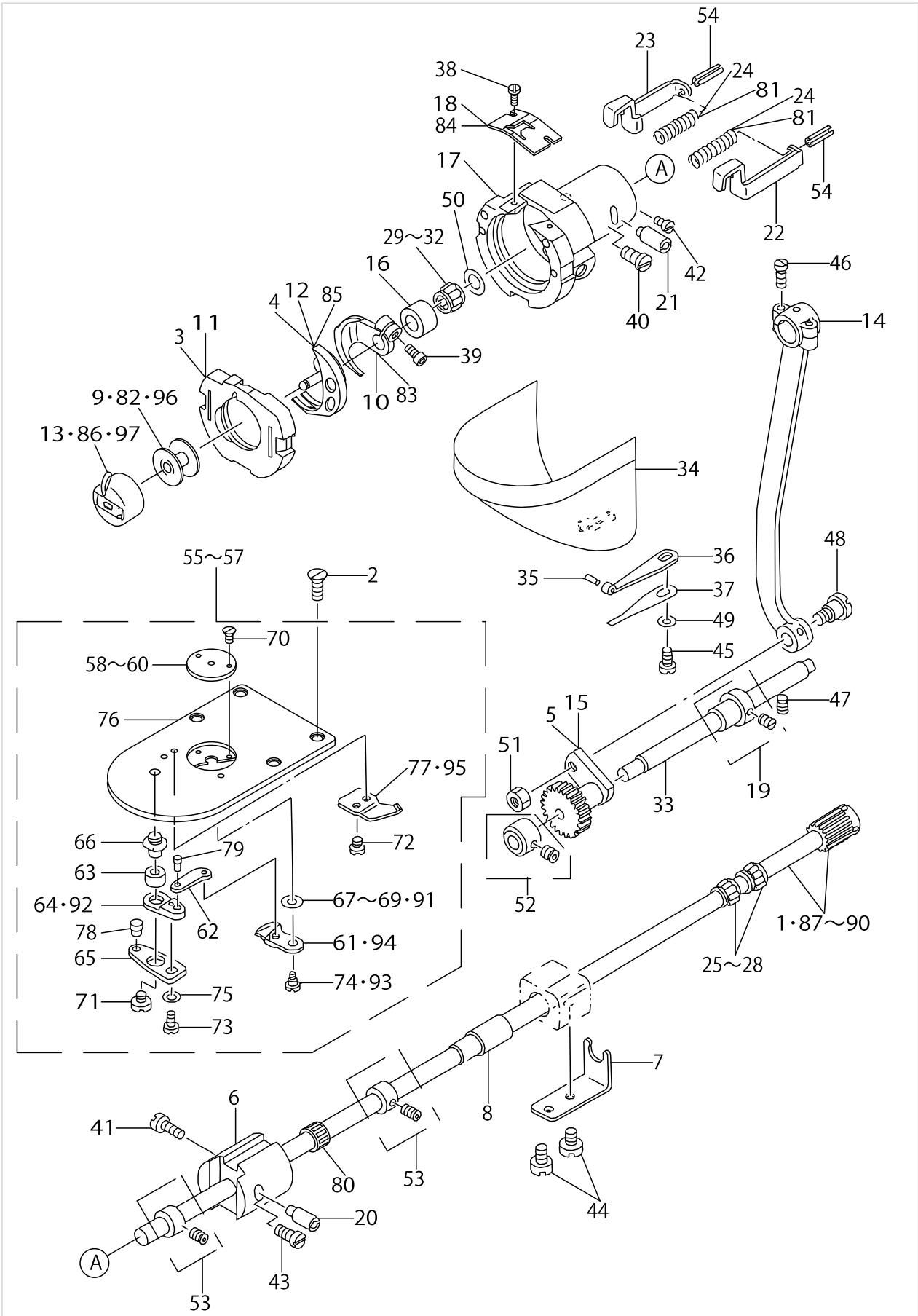
SHUTTLE DRIVER SHAFT COMPONENTS



SHUTTLE DRIVER SHAFT COMPONENTS

No.	Parts No.	Parts name	Remarks	Level	Cons	Qty
1	B18112200AA	SHUTTLE DRIVER SHAFT ASM. A				1
2	SS1110640TP	SCREW 11/64-40 L= 5.5				4
3	B18172100AB	SHUTTLE RACE RING B ASM.	FOR AMS-215CGS			1
4	B1818205A0B	H SMALL INNER HOOK.	FOR AMS-215CHS			1
5	D1805MLBH00	OSCILLATING ROCK SHAFT	FOR AMS-215CHS,CGS			1
6	B1831220000	BUSHING, FRONT				1
7	B1832220000	NEEDLE STOPPER				1
8	13508403	LOWER SHAFT REAR METAL				1
9	B1805205000	BOBBIN				1
10	B1812205000	SHUTTLE DRIVER				1
11	B18172050A0	SHUTTLE RACE RING ASM.				1
12	B1818205000	SHUTTLE				1
13	B18282050A0	BOBBIN CASE ASM.				1
14	B1802210000	CRANK ROD				1
15	B1805980000	OSCILLATOR				1
16	B1813980000	SHUTTLE NEEDLE OUTER RING				1
17	B1814215000	SHUTTLE				1
18	B1815980000	SHUTTLE UPPER SPRING				1
19	B18042800A0	THRUST COLLAR ASM.				1
20	B1819280000	SHUTTLE RACE ADJUSTING SHAFT				1
21	B1819280000	SHUTTLE RACE ADJUSTING SHAFT				1
22	B1820280000	INNER HOOK PRESSER, RIGHT				1
23	B1821280000	INNER HOOK PRESSER, LEFT				1
24	B1823280000	INNER HOOK PRESSER SPRING				2
25	B1411804A00	BEARING (A)				2
26	B1411804B00	NEEDLE DRIVING LEVER BEARING B	SELECTIVE PART			2
27	B1411804C00	NEEDLE DRIVING LEVER BEARING C	SELECTIVE PART			2
28	B1411804D00	BEARING (D)	SELECTIVE PART			2
29	B1411804A00	BEARING (A)				1
30	B1411804B00	NEEDLE DRIVING LEVER BEARING B	SELECTIVE PART			1
31	B1411804C00	NEEDLE DRIVING LEVER BEARING C	SELECTIVE PART			1
32	B1411804D00	BEARING (D)	SELECTIVE PART			1
33	13508205	OSCILLATING SHAFT				1
34	13816855	CYLINDER ARM CAP				1
35	13508700	HOOK COVER PRESSER SPRING PIN				1
36	13508809	HOOK COVER PRESSER SPRING A				1
37	13508908	HOOK COVER PRESSER SPRING B				1
38	SS6060410TP	SCREW 3/32-56 L= 3.5				2
39	SS6121212TP	SCREW 3/16-28 L=12.0				1
40	SS6151220SP	SCREW 15/64-28 L=11.5				1
41	SS6151220SP	SCREW 15/64-28 L=11.5				1
42	SS7110510SP	SCREW 11/64-40 L=5				1
43	SS7110510SP	SCREW 11/64-40 L=5				1
44	SS7110710SP	SCREW 11/64-40 L=7				2
45	SS7110840SP	SCREW 11/64-40 L=7.8				1
46	SS7111110TP	SCREW 11/64-40 L=10.5				2
47	SS8150822TP	SCREW 15/64-28 L=8				1

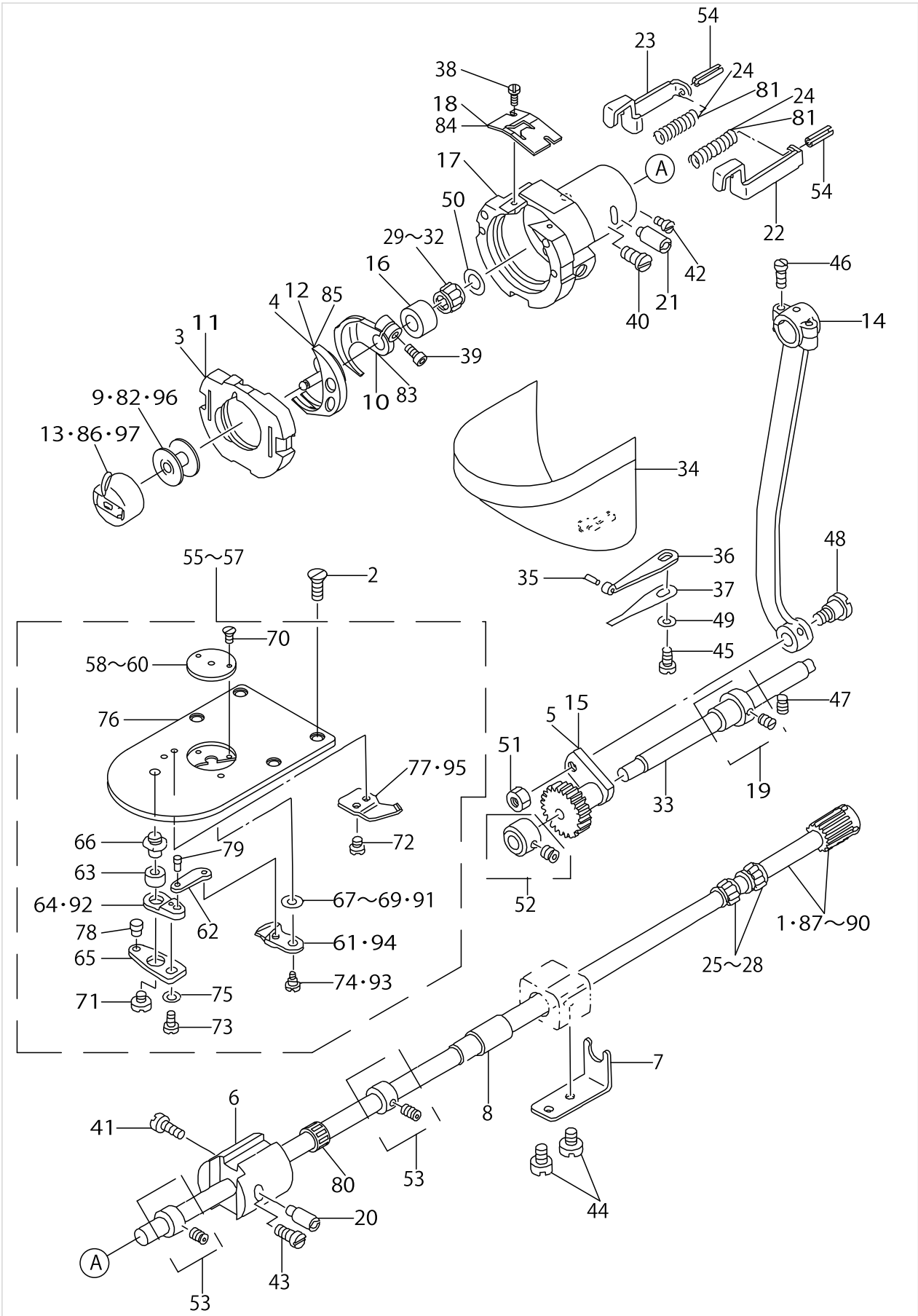
SHUTTLE DRIVER SHAFT COMPONENTS



SHUTTLE DRIVER SHAFT COMPONENTS

No.	Parts No.	Parts name	Remarks	Level	Cons	Qty
48	SD0801021TP	HINGE SCREW D= 8 H=10.2				1
49	WP0531000SD	WASHER M5				1
50	WP0952616SD	WASHER 9.5X14.8X2.6				1
51	NS6660430SP	NUT 1/4-40				1
52	CS079101FSH	THRUST COLLAR ASM.				1
53	CS080081FSH	THRUST COLLAR ASM.				2
54	PS0250162KH	SPRING PIN 2.5X16				2
55	B24252150A0	NEEDLE PLATE ASM.				1
56	B24252150AB	NEEDLE PLATE H ASM.	FOR AMS-215CHS			1
57	B24252150AC	NEEDLE PLATE G ASM.	FOR AMS-215CGS			1
58	B242621000A	NEEDLE HOLE GUIDE D=1.6		*		1
59	B242621000B	NEEDLE HOLE GUIDE D=2.0	FOR AMS-215CHS	*		1
60	B242621000F	NEEDLE HOLE GUIDE D=3.0	FOR AMS-215CGS	*		1
61	B24212050A0	MOVING KNIFE ASM.		*		1
62	B2418280000	MOVING KNIFE LINK		*		1
63	B2416280000	THREAD CUTTING LEVER RING		*		1
64	B2415280000	TRIMMING LEVER (SMALL)		*		1
65	B2414280000	MOVING KNIFE DRIVING LEVER		*		1
66	B2417280000	THREAD CUTTER LEVER SHAFT		*		1
67	B242328000A	MOVING KNIFE WASHER A		*		1
68	B242328000B	MOVING KNIFE WASHER B	SELECTIVE PART	*		1
69	B242328000C	MOVING KNIFE WASHER C	SELECTIVE PART	*		1
70	SS1060210TP	SCREW 3/32-56 L=2.2		*		2
71	SS6110430TP	SCREW 11/64-40 L= 4.0		*		1
72	SS7090410SP	SCREW 9/64-40 L= 3.5		*		2
73	SS7110740TP	SCREW 11/64-40 L=7		*		1
74	SD0600101TP	HINGE SCREW		*		1
75	WP0450846SP	WASHER		*		1
76	B2425215000	NEEDLE PLATE		*		1
77	B2424210000	COUNTER KNIFE		*		1
78	B2419280000	MOVING KNIFE CONNECTING LINK S		*		1
79	B2420280000	MOVING KNIFE CONNECTING LINK P		*		1
80	B1411804D00	BEARING (D)				1
81	13512405	SPRING	FOR AMS-215CHS,CGS			2
82	B1805210A00	BOBBIN	FOR AMS-215CGS			1
83	B1812210000	SCREW DRIVER	FOR AMS-215CGS			1
84	B1815210000	INNER HOOK UPPER SPRING	FOR AMS-215CGS			1
85	B1818210000	SHUTTLE	FOR AMS-215CGS			1
86	B18282100A0	BOBBIN CASE ASM.	FOR AMS-215CGS			1
87	B18112200AB	SHUTTLE DRIVER SHAFT COMPL.,B	SELECTIVE PART			1
88	B18112200AC	SHUTTLE DRIVER SHAFT COMPL.,C	SELECTIVE PART			1
89	B18112200AY	SHUTTLE DRIVER SHAFT COMPL.,Y	SELECTIVE PART			1
90	B18112200AZ	SHUTTLE DRIVER SHAFT COMPL.,Z	SELECTIVE PART			1
91	B242328000D	MOVING KNIFE WASHER D	SELECTIVE PART	*		1
92	B2416210000	THREAD CUTTER LEVER,SMALL	FOR AMS-215CGS	*		1
93	B2417210000	MOVING KNIFE HINGE SCREW	FOR AMS-215CGS	*		1
94	B2421210AA0	MOVING KNIFE COMPL.	FOR AMS-215CGS	*		1

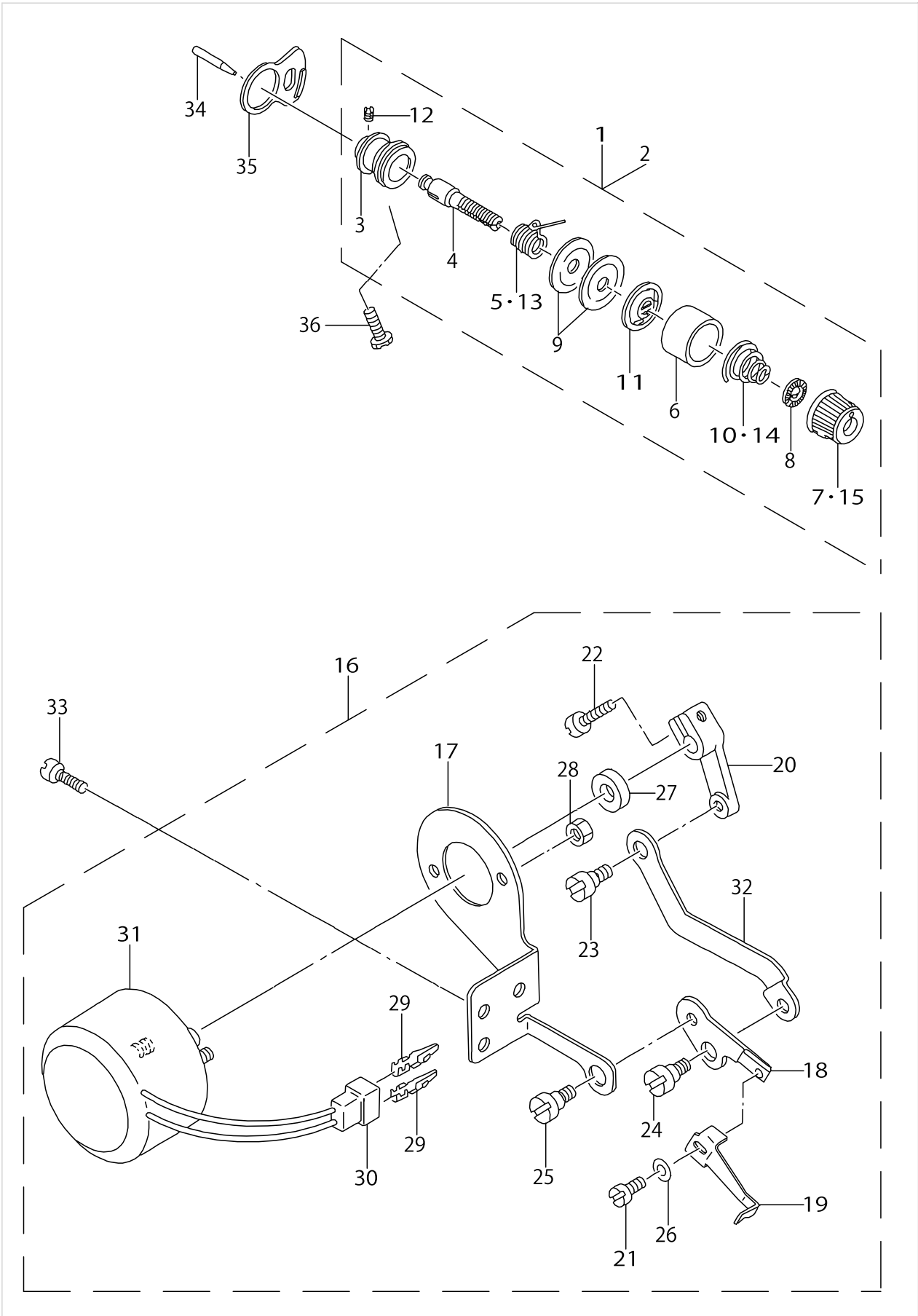
SHUTTLE DRIVER SHAFT COMPONENTS



SHUTTLE DRIVER SHAFT COMPONENTS

No.	Parts No.	Parts name	Remarks	Level	Cons	Qty
95	B2424210A00	FIX KNIFE	FOR AMS-215CGS	*		1
96	B180520500B	BOBBIN.	FOR AMS-215CHS			1
97	B18282050AA	BOBBIN CASE ASM.	FOR AMS-215CHS			1

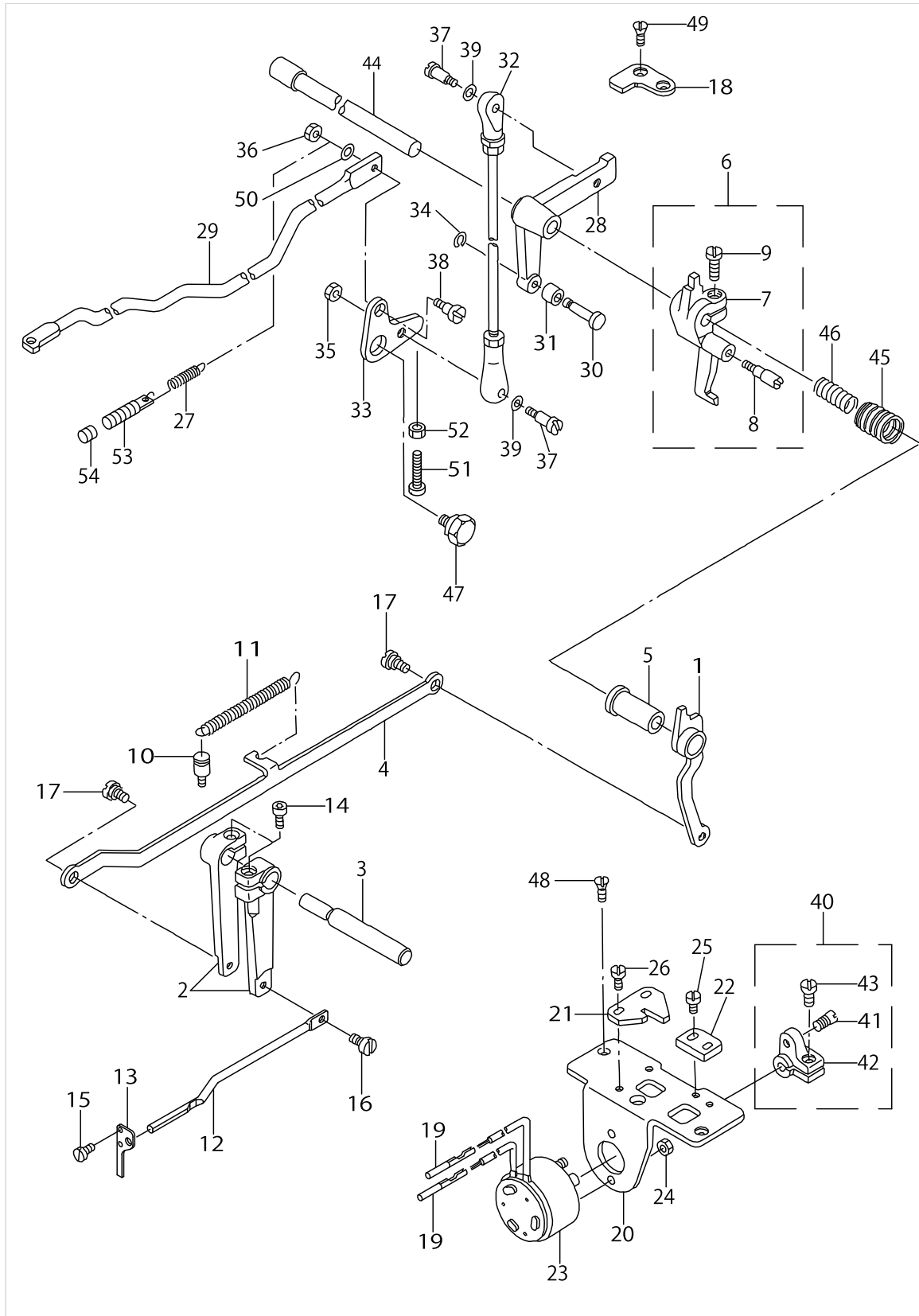
WIPER MECHANISM COMPONENTS



WIPER MECHANISM COMPONENTS

No.	Parts No.	Parts name	Remarks	Level	Cons	Qty
1	B23022050AA	SECOND THREAD TENSION.	FOR AMS-215CHS,CGS			1
2	13817457	THREAD TENSION NO.2 CONNEC.				1
3	B2313280000	THREAD TENSION ROD, LARGE		*		1
4	B2302280000	SECOND THREAD TENSION ROD		*		1
5	B3112761000	THREAD TAKE-UP SPRING		*		1
6	B3107804000	THREAD TENSION DISK PRESSER	FOR AMS-215CSS	*		1
7	13817408	THREAD TENSION NUT		*		1
8	B3120125000	ROTATING STOPPER		*		1
9	B3126012000	THREAD TENSION DISK		*		2
10	B3114232000	THREAD TENSION SPRING		*		1
11	B3132552000	THREAD TENSION DISK PRESSER		*		1
12	SS8090610SP	SCREW 9/64-40 L=5.9		*		1
13	D3112L4BB00	TAKE-UP SPRING (HEAVY)	FOR AMS-215CHS,CGS	*		1
14	B3129053000	TENSION SPRING	FOR AMS-215CHS,CGS	*		1
15	13817408	THREAD TENSION NUT	FOR AMS-215CHS,CGS	*		1
16	B21012200A0	WIPER ASM.				1
17	B2104220000	SOLENOID INSTALLING PLATE		*		1
18	B2106220000	WIPER INSTALLING PLATE		*		1
19	B2107210000	WIPER		*		1
20	B2102205000	WIPER ARM.		*		1
21	SS6090630TP	SCREW 9/64-40 L=6		*		1
22	SS6621220SP	SCREW 3/16-32 L=12		*		1
23	SD0600352SP	HINGE SCREW		*		1
24	SD0640321SP	HINGE SCREW D= 6.35 H= 3.2		*		1
25	SD0640321SP	HINGE SCREW D= 6.35 H= 3.2		*		1
26	WP0371016SD	WASHER 3.7X8X1		*		1
27	WP0561616SC	WASHER 5.6X16X1.6		*		1
28	NM6040003SC	NUT M4		*		2
29	HP000200200	PIN-SHAPE TERMINAL, MALE		*		2
30	HK018800020	2-POLE PLUG		*		1
31	B2101220000	WIPER SOLENOID		*		1
32	B2103220000	WIPER CONNECTING PLATE		*		1
33	SS7110840SP	SCREW 11/64-40 L=7.8				1
34	B2303280000	TENSION RELEASE PIN				1
35	B2702210000	GUIDE PLATE				1
36	SS6151812TP	SCREW 15/64-28 L=18				1

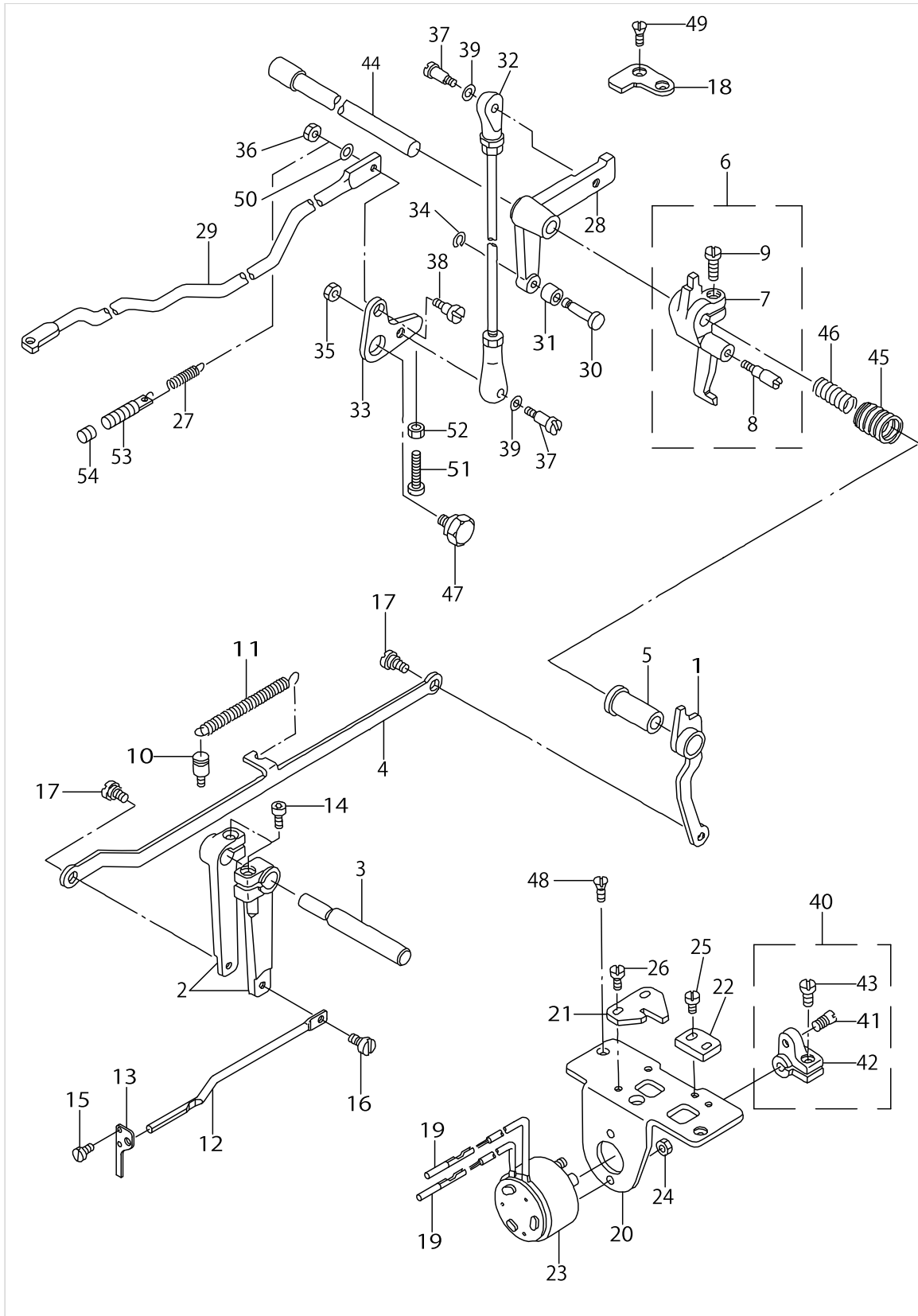
TENSION RELEASE & TEREAD TRIMMER MECHANISM COMPONENTS



TENSION RELEASE & TEREAD TRIMMER MECHANISM COMPONENTS

No.	Parts No.	Parts name	Remarks	Level	Cons	Qty
1	B23042200A0	TENSION RELEASE ARM ASM.				1
2	B2306220000	TENSION ARM				2
3	B2307220000	TENSION ARM SHAFT				1
4	B2308220000	CONNECTING PLATE				1
5	B2305210000	BUSHING				1
6	B23012100A0	TENSION RELEASE ARM ASM.				1
7	B2301210000	TENSION RELEASE ARM		*		1
8	B2302210000	TENSION RELEASE SHAFT		*		1
9	SS6121220TP	SCREW 3/16-28 L=11.5		*		1
10	B2714761000	SPRING RACK				1
11	B2727761000	TENSION SPRING				1
12	13513205	TENSION RELEASE BAR				1
13	13513304	THREAD TENSION ARM				1
14	SS6151712TP	SCREW 15/64-28 L=16.5				2
15	SS7090620TP	SCREW 9/64-40 L=6.1				2
16	SD0530221SP	HINGE SCREW D= 5.3 H= 2.2				1
17	SD0640321SP	HINGE SCREW D= 6.35 H= 3.2				2
18	B2412220000	STOPPER				1
19	D6043555B00	PIN TERMINAL, MALE				2
20	B2402220000	SOLENOID INSTALLING BASE				1
21	B2310220000	TENSION RELEASE ARM PLATE				1
22	B2311220000	Y MOTOR BASE STOPPER				1
23	B2403210000	SOLENOID				1
24	NM6040003SC	NUT M4				2
25	SS7110840SP	SCREW 11/64-40 L=7.8				2
26	SS7110840SP	SCREW 11/64-40 L=7.8				2
27	B2431215000	THREAD TRIMMER LINK SPRING				1
28	B2404220000	CAM INSTALLING LINK				1
29	B2413220000	KNIFE DRIVING BAR				1
30	B2405210000	SHAFT				1
31	B2406210000	CAM ROLLER				1
32	B2407210000	CONNECTING ROD				1
33	B2411210000	THREAD TRIMMER LINK				1
34	D2430555B00	SNAP RING				1
35	NS6110420SP	NUT 11/64-40				1
36	NS6120630SP	NUT 3/16-28				1
37	SD0500803TP	HINGE SCREW D=5 H=8				2
38	SD0650305TP	HINGE SCREW D= 6.5 H= 3				1
39	WP0501016SD	WASHER 5X10.5X1				2
40	B24102200A0	SOLENOID ARM ASM.				1
41	B2410220000	PIN		*		1
42	B2409210000	SOLENOID ARM		*		1
43	SS6121210SP	SCREW 3/16-28 L=12		*		1
44	B2408210000	CAM SHAFT				1
45	B2414210000	SPRING, LARGE				1
46	B2415210000	SPRING, SMALL				1
47	SD1100301TP	HINGE SCREW H=11 W=3				1

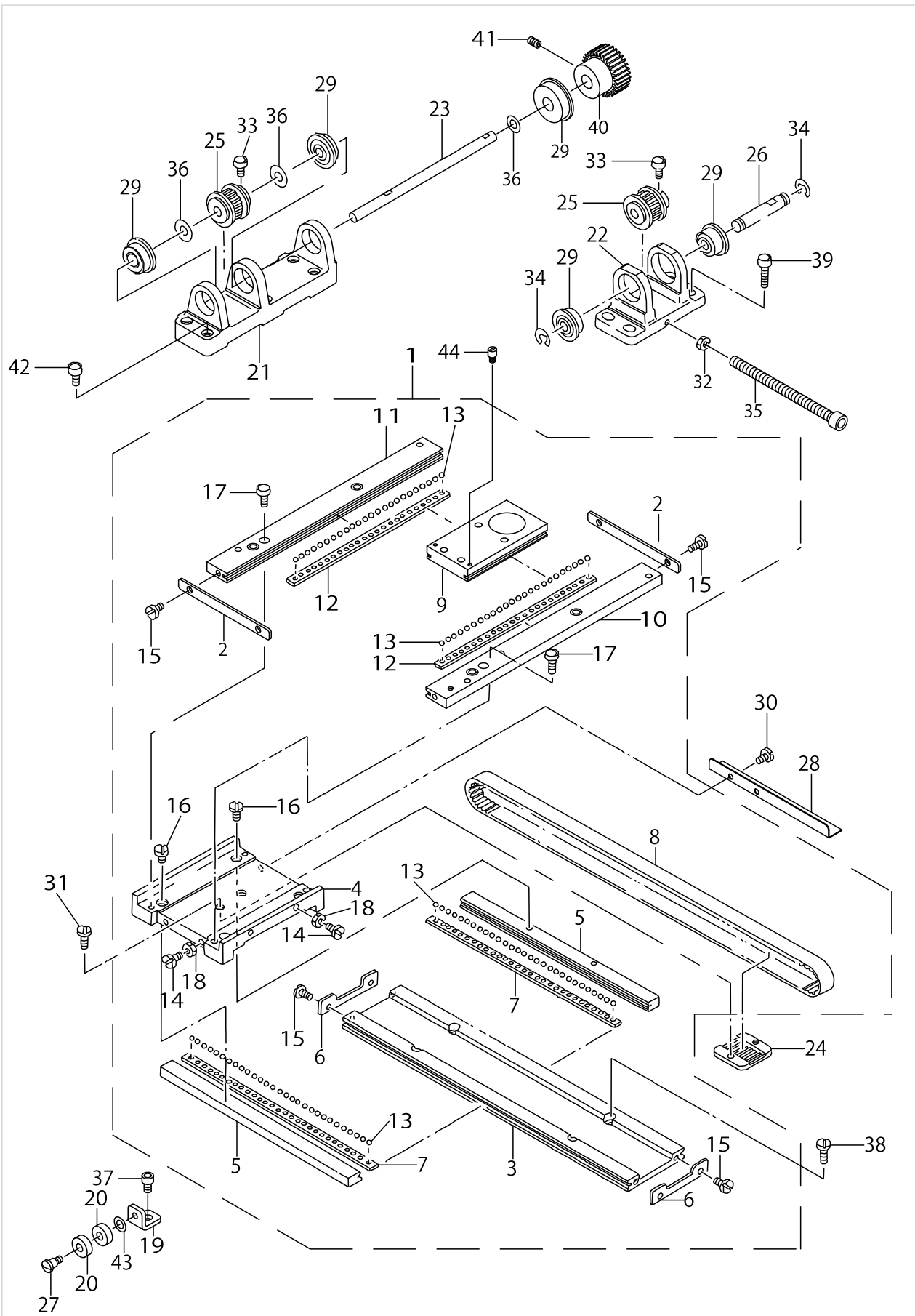
TENSION RELEASE & TEREAD TRIMMER MECHANISM COMPONENTS



TENSION RELEASE & TEREAD TRIMMER MECHANISM COMPONENTS

No.	Parts No.	Parts name	Remarks	Level	Cons	Qty
48	SS2110920TP	SCREW 11/64-40 L=8.5				2
49	SS2110920TP	SCREW 11/64-40 L=8.5				2
50	B2409205000	CAM ROLLER WASHER				1
51	SS6153040SP	SCREW 15/64-28 L=30				1
52	NS6150430SP	NUT 15/64-28				1
53	B1649161000	TENSION SPRING ADJUSTING SCREW				1
54	SS8110422SP	SCREW				1

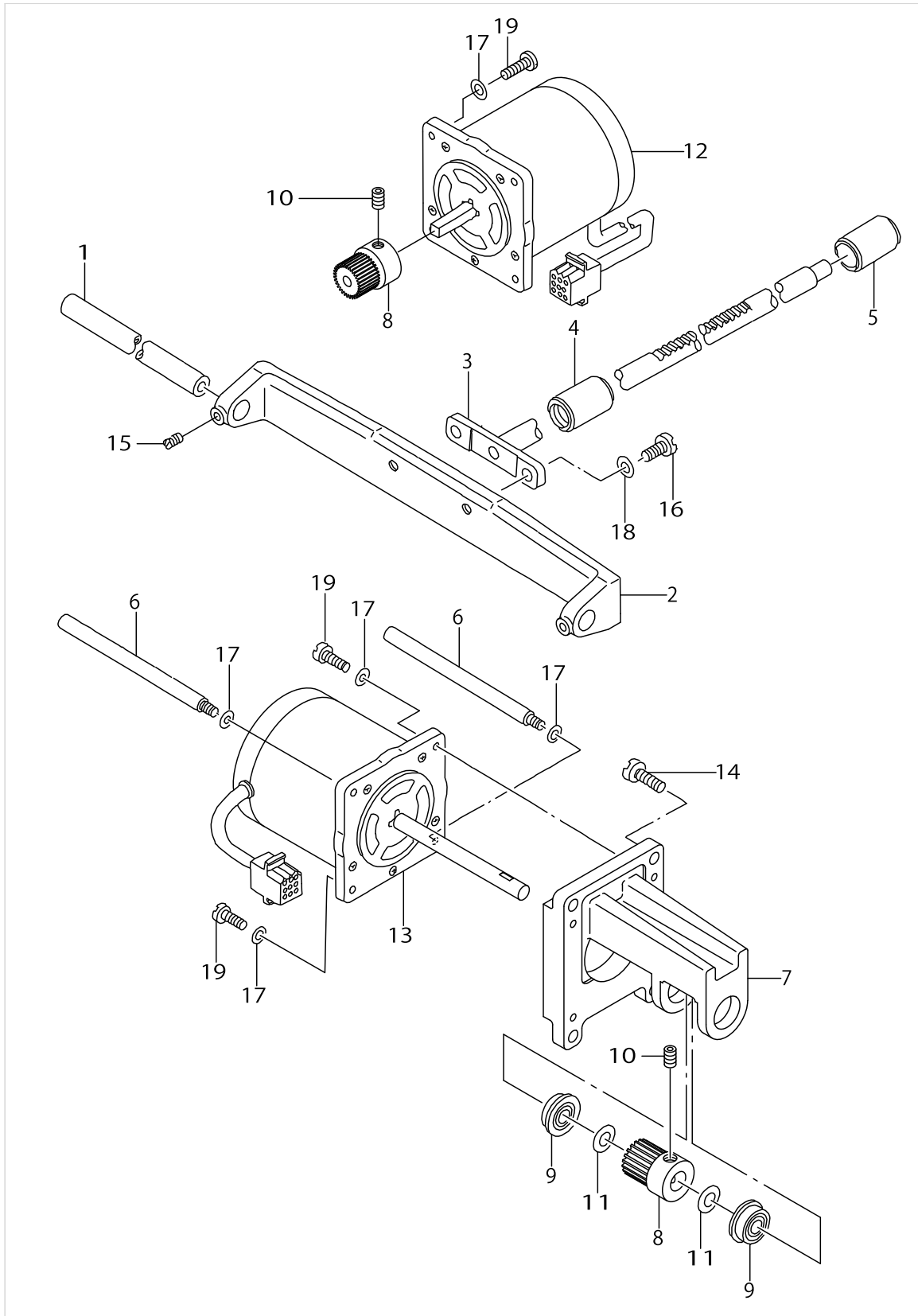
X-Y COMPONENTS (1)



X-Y COMPONENTS (1)

No.	Parts No.	Parts name	Remarks	Level	Cons	Qty
1	B25012150A0	X-Y TABLE ASM.				1
2	B2522215000	Y STOPPER		*		2
3	B2501215000	X FIXED RACE		*		1
4	B2502220000	RACE TABLE		*		1
5	B2503220000	X REMOVAL LACE		*		2
6	B2507220000	X STOPPER		*		2
7	B2508215000	X RETAINER		*		2
8	B2512215000	X TIMMING BELT		*		1
9	B2519215000	Y REMOVAL RACE		*		1
10	B2520215000	Y FIXED RACE,RIGHT		*		1
11	B2520215A00	Y FIXED RACE,LEFT		*		1
12	B2521215000	Y RETAINER		*		2
13	B2527210000	BALL		*		100
14	SS7111110TP	SCREW 11/64-40 L=10.5		*		4
15	SS9111010SP	SCREW 11/64-40 L=9.5		*		8
16	SS7110910TP	SCREW 11/64-40 L= 8.5		*		4
17	SM6041402TP	SCREW M4 L=14		*		4
18	NS6110310SP	NUT 11/64-40		*		4
19	B2539215000	IDLER PLATE				1
20	SB106000400	CLUTCH BEARING				2
21	B2504215000	X DRIVING SHAFT BRACKET				1
22	B2505220000A	X DRIVING SHAFT BRACKET				1
23	B2506215000	SLIT PLATE				1
24	B2509229000	BELT RECEIVER				1
25	B2513220A00	SPROCKET WHEEL A				2
26	B2515220000	X BRACKET SHAFT				1
27	SD0601171SP	HINGE SCREW D= 6 H=11.7				1
28	B4007215000	X SLIT PLATE.				1
29	SB108000500	RADIAL BEARING				5
30	SM6040552TP	SCREW M4 L=4.5				2
31	SS6110610TP	SCREW 11/64-40 L=6				2
32	NM6050001SP	NUT M5				1
33	B2540205B00	SCREW				4
34	RE0600000K0	E-RING 6				2
35	SM6057052TN	HEXAGONAL-HOLE BOLT				1
36	B255728000E	WASHER				3
37	SM6050802TP	SCREW M5X0.8 L=8				1
38	SS6120940SP	SCREW 3/16-28 L=9				4
39	SM6051602TP	SCREW M5X0.8 L=16				4
40	B2526220000	Y DRIVE GEAR				1
41	B2540205B00	SCREW				2
42	SM6052002TP	SCREW M5 L=20				6
43	WP0641600SC	WASHEW 6.4X12.5X1.6				1
44	B151902600G	HINGE STUD				2

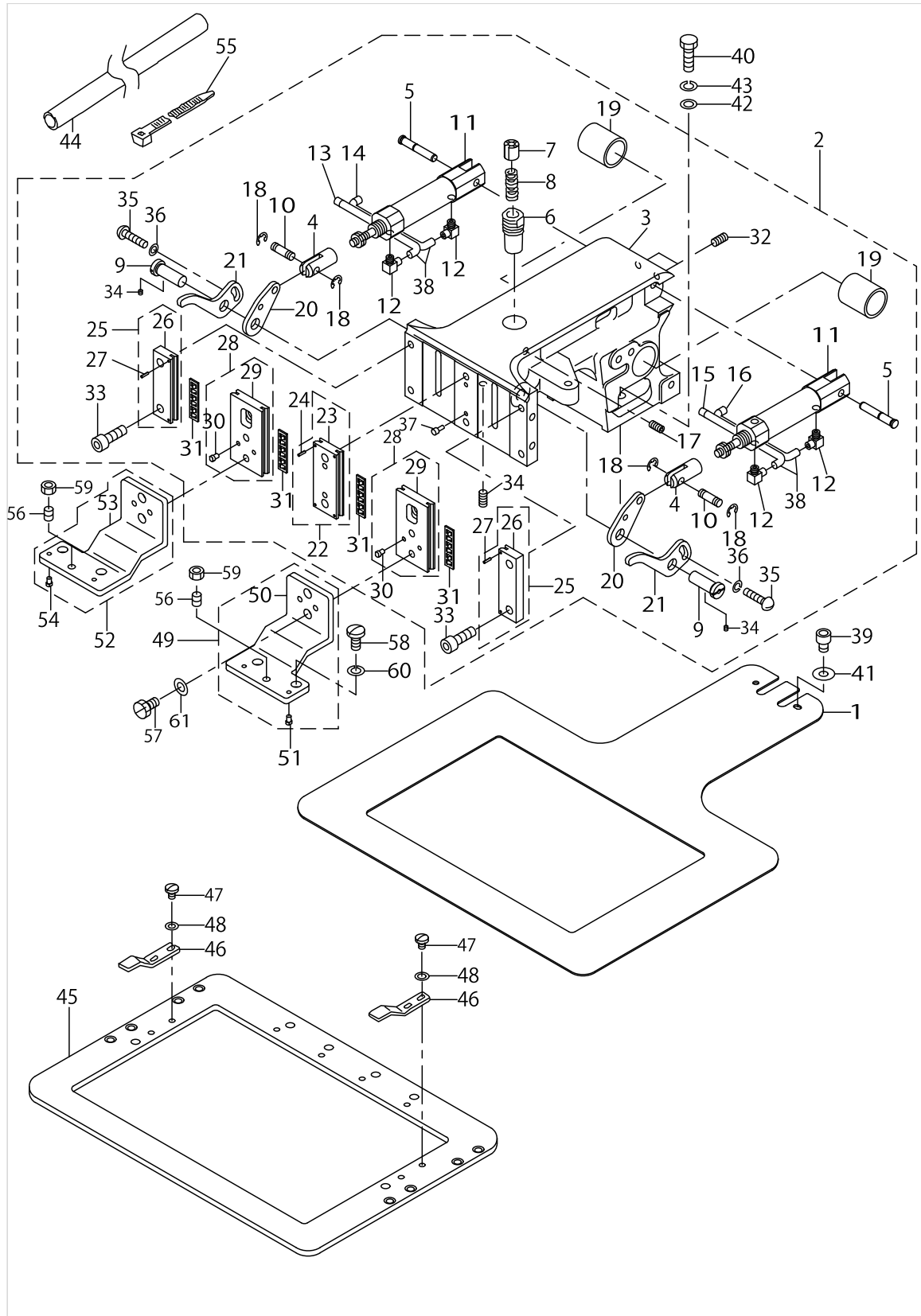
X-Y COMPONENTS (2)



X-Y COMPONENTS (2)

No.	Parts No.	Parts name	Remarks	Level	Cons	Qty
1	B2510215000	X GUIDE SHAFT				1
2	B2511215000	X GUIDE SHAFT BRACKET				1
3	B25242150A0	Y REMOVAL SHAFT ASM.				1
4	B2532220000	BUSHING, FRONT				1
5	B2533220000	BUSHING, REAR				1
6	B1161220B00	MOTOR STUD BOLT B				2
7	B2517215000	Y MOTOR BASE				1
8	B2526215000	DRIVE GEAR				2
9	SB109530100	BEARING D=9.52X22.22				2
10	SM8060602TP	SCREW M6X6				4
11	WP0951016SP	WASHER 9.53X15X1				2
12	B2529215000	X STEPPING MOTOR				1
13	B2529215A00	Y STEPPING MOTOR				1
14	SS7151210SP	SCREW 15/64-28 L=12				4
15	SS8150822TP	SCREW 15/64-28 L=8				2
16	SS9151440CP	SCREW 15/64-28 L=14				2
17	WP0501016SD	WASHER 5X10.5X1				8
18	WP0621016SD	WASHER 6.2X13X1				2
19	SS7121610SP	SCREW 3/16-28 L=15.5				6

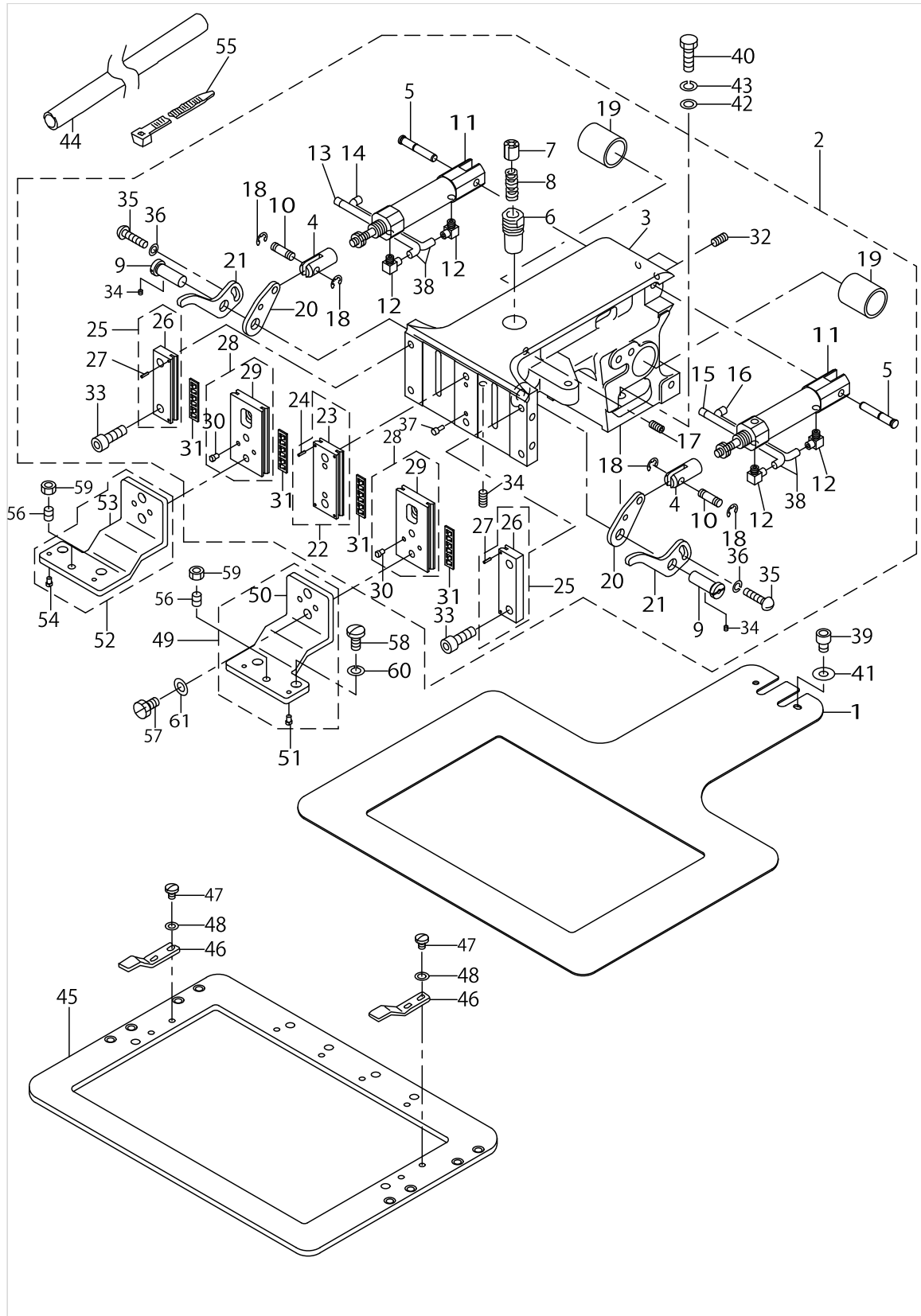
CLOTH FEED MECHANISM COMPONENTS



CLOTH FEED MECHANISM COMPONENTS

No.	Parts No.	Parts name	Remarks	Level	Cons	Qty
1	B2556215000	FEED PLATE				1
2	B25502150A0	CLOTH FEED BASE ASM.				1
3	B2550215000	CLOTH FEED BASE		*		1
4	B1625220000	CYLINDER KNUCKLE		*		2
5	D2428555B00A	CAM ROLLER SHAFT		*		2
6	B2573220000	SLIDER RECEIVER		*		1
7	B2574220000	SLIDER		*		1
8	B2576220000	SLIDER SPRING		*		1
9	B2509372000A	FEED STUD		*		2
10	B1626220000	CYLINDER PIN		*		2
11	PA1602509A0	AIR CYLINDER		*		2
12	PJ046052503	HOSE ELBOW		*		4
13	B471122000C	AIR TUBE LABEL J03 LEFT		*		1
14	B471122000D	AIR TUBE LABEL J04 LEFT		*		1
15	B471122000G	AIR TUBE LABEL J03 RIGHT		*		1
16	B471122000H	AIR TUBE LABEL J04 RIGHT		*		1
17	SS8120410SP	SCREW 3/16-28 L=3.8		*		1
18	RE0300000K0	E-RING 3		*		4
19	SB712000100	SLIDE BEARING		*		2
20	B2570215000	LIFTING LEVER A		*		2
21	B2571215000	LIFTING LEVER B		*		2
22	B26132150A0	WORK CLAMP FOOT PLATE A ASM.		*		1
23	B2613215000	WORK CLAMP FOOT PLATE A		*		1
24	PS0150065KP	SPRING PIN 1.5X6		*		4
25	B25672150A0	WORK CLAMP FOOT PLATE B ASM.		*		2
26	B2567215000	WORK CLAMP FOOT PLATE B		*		1
27	PS0150065KP	SPRING PIN 1.5X6		*		2
28	B26112150A0	SLIDE PLATE ASM.		*		2
29	B2611215000	WORK CLAMP FOOT SLIDE PLATE		*		1
30	B1816280000	GUIDE PIN		*		2
31	B2513215000	BEARING		*		4
32	SS8120740SP	SCREW 3/16-28 L=7		*		2
33	SM6051402TP	SCREW M5X0.8 L=14		*		6
34	SM8050602TP	SCREW M5 L=6		*		2
35	SS7110710SP	SCREW 11/64-40 L=7		*		2
36	WP0501016SD	WASHER 5X10.5X1		*		2
37	B1816280000	GUIDE PIN		*		2
38	BT0400251EB	URETHANE HOSE, BLACK		*		3
39	SM6060802TP	SCREW M6 L=8				2
40	SS9151630CP	SCREW 15/64-28 L=15.5				2
41	WP0611626SP	WASHER 15X6X1.6				2
42	WP0651056SD	WASHER 6.5X11X1				2
43	WS0631510KP	SPRING WASHER				2
44	HX00364000E	PARTS				0.2
45	B2553215000	FEEDING FRAME				1
46	B2558220000	PLASTIC BLANK PLATE				2
47	SS7110510SP	SCREW 11/64-40 L=5				4

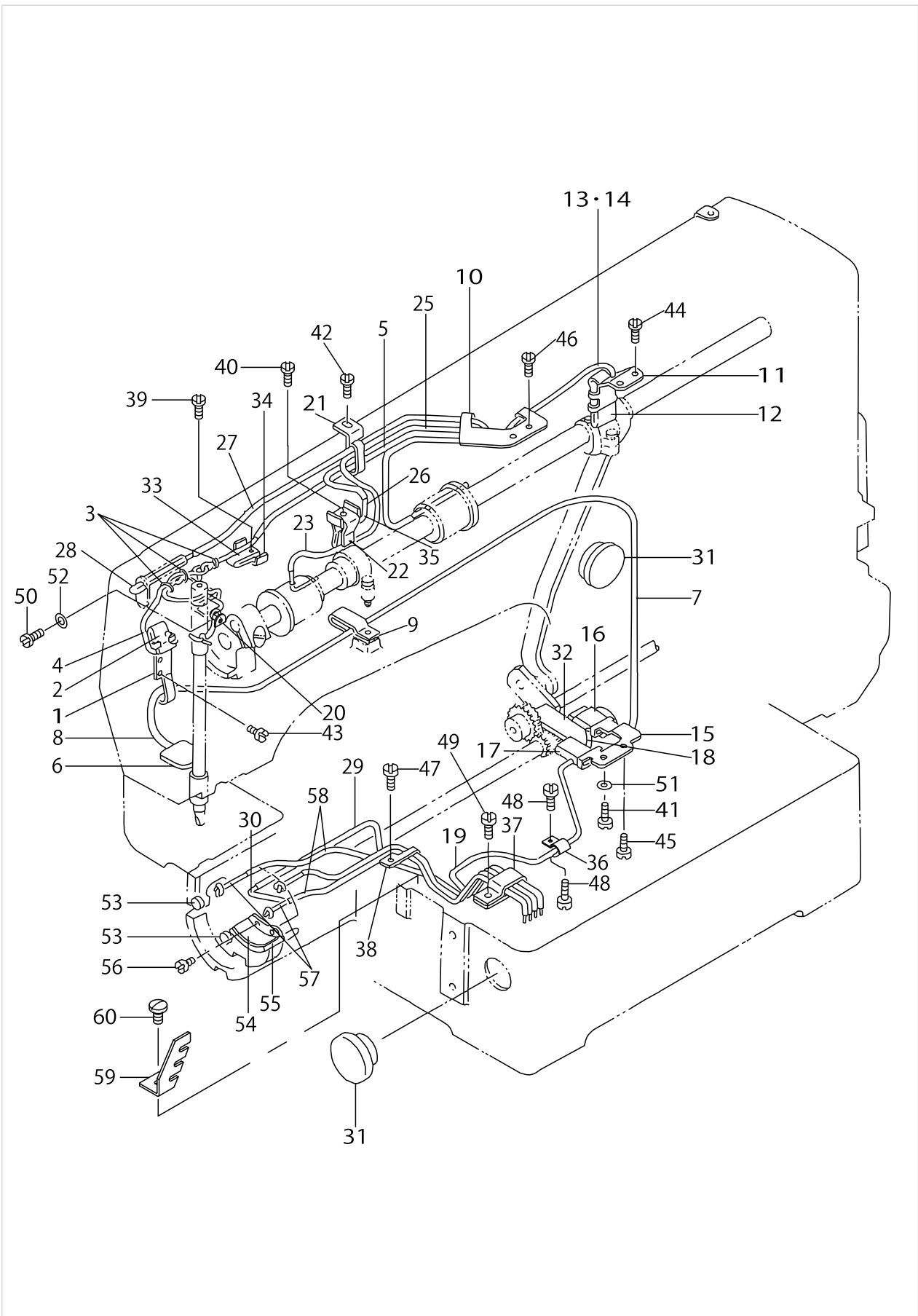
CLOTH FEED MECHANISM COMPONENTS



CLOTH FEED MECHANISM COMPONENTS

No.	Parts No.	Parts name	Remarks	Level	Cons	Qty
48	WP0450801SD	WASHER 4.5X10X0.8				4
49	B26042150A0	RECEIVER PLATE,RIGHT ASM.				1
50	B2604215000	RECEIVER PLATE,RIGHT		*		1
51	B1816280000	GUIDE PIN		*		2
52	B26052150A0	RECEIVER PLATE,LEFT ASM.				1
53	B2605215000	RECEIVER PLATE,LEFT		*		1
54	B1816280000	GUIDE PIN		*		2
55	HX002330000	CLIP				3
56	SS8150822TP	SCREW 15/64-28 L=8				2
57	SS9151120CP	SCREW 15/64-28 L=11				4
58	SS7150910TP	SCREW 15/64-28 L=9				4
59	NS6150330SD	NUT 15/64-28				2
60	WP0651056SD	WASHER 6.5X11X1				4
61	WP0651056SD	WASHER 6.5X11X1				4

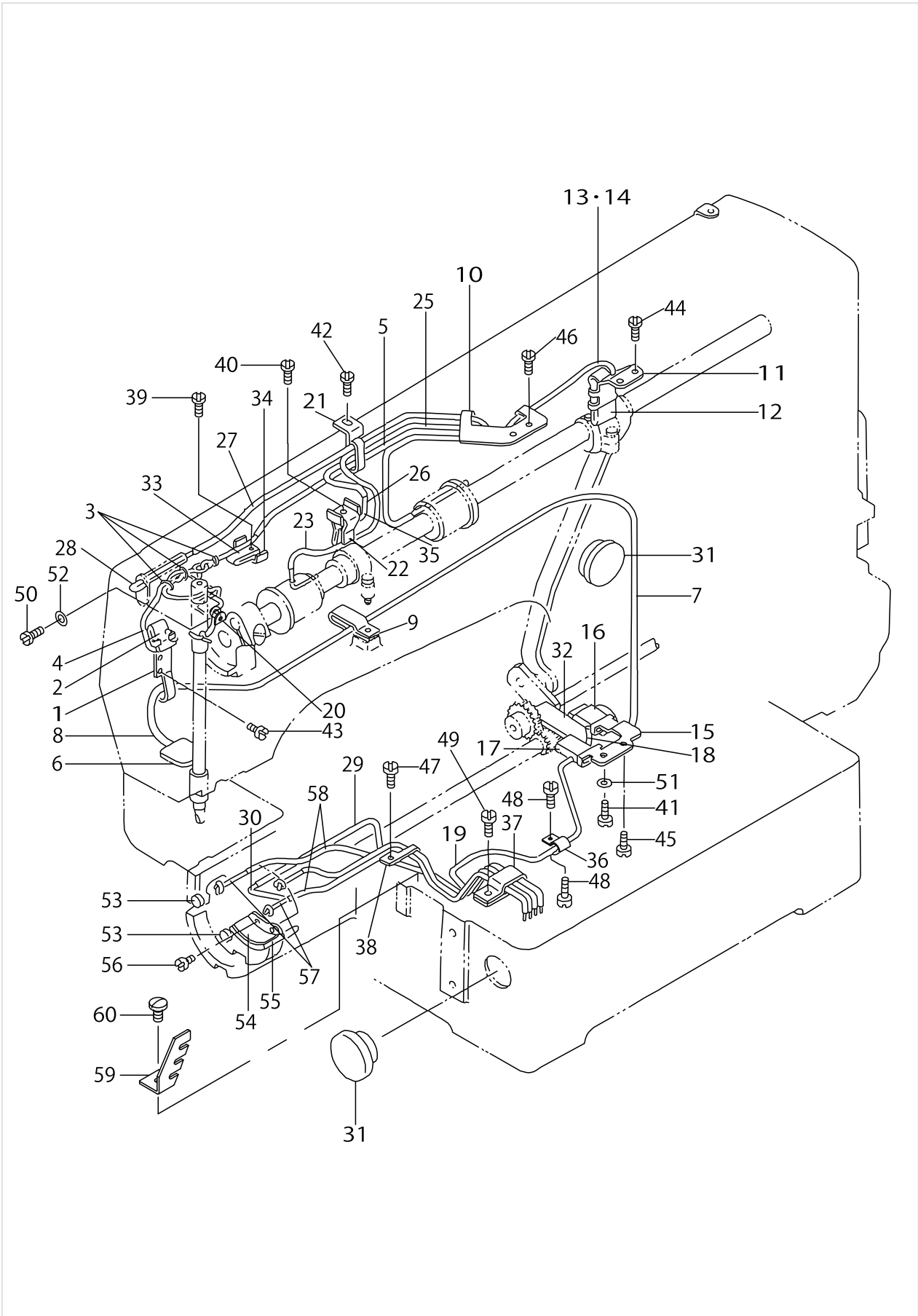
LUBRICATION COMPONENTS



LUBRICATION COMPONENTS

No.	Parts No.	Parts name	Remarks	Level	Cons	Qty
1	B3502220000	OIL WICK HOLDER				1
2	B3509220000	OIL SPONGE				1
3	B1419026000	OIL WICK PRESSER				3
4	CQ202000000	OIL WICK				1.1
5	BP300000000	VINYL PIPE				0.4
6	B3507280000	OIL FELT				1
7	BP600000000	VINYL PIPE				0.6
8	B3523220000	OIL FELT				1
9	D2112555B00	CORD HOLDER, LARGE				1
10	B3504220000	OIL WICK HOLDER A				1
11	B3505210000	OIL FELT SUPPORTING PLATE				1
12	B3509280000	NEEDLE ROD CRANK LUBRICATING				1
13	CQ252200000	OIL WICK				0.4
14	BP300000000	VINYL PIPE				0.2
15	B3506210000	OIL FELT SUPPORTING PLATE				1
16	B3509280000	NEEDLE ROD CRANK LUBRICATING				1
17	B3518280000	BALANCE LUBRICATING				1
18	CQ202000000	OIL WICK				0.7
19	BP300000000	VINYL PIPE				0.6
20	B3507220000	OIL WICK HOLDER				1
21	B3508220000	OIL TUBE HOLDER				1
22	B3520220000	OIL SPONGE				1
23	BP300000000	VINYL PIPE				0.4
24	CQ202000000	OIL WICK				0.7
25	BP300000000	VINYL PIPE				0.3
26	CQ252200000	OIL WICK				0.5
27	BP300000000	VINYL PIPE				0.3
28	CQ252200000	OIL WICK				0.6
29	BP500000000	VINYL PIPE				0.2
30	B3522220000	OIL FELT				1
31	B3501210000	OIL GAUGE				2
32	B3507210000	OIL FELT				1
33	B3518210000	OIL SPONGE				1
34	B3508280000	BALANCE LUBRICATING PLATE				1
35	B3508280000	BALANCE LUBRICATING PLATE				1
36	B3538112000	OIL RETURN TUBE HOLDER				1
37	D2112555B00	CORD HOLDER, LARGE				1
38	13530209	LUBRICATING OIL WICK STOPPER				1
39	SS6092120SP	SCREW 9/64-40 L=21.2				1
40	SS6092120SP	SCREW 9/64-40 L=21.2				1
41	SS6111140SP	SCREW 11/64-40 L=11				1
42	SS7110710SP	SCREW 11/64-40 L=7				1
43	SS7110710SP	SCREW 11/64-40 L=7				2
44	SS7110710SP	SCREW 11/64-40 L=7				2
45	SS7110710SP	SCREW 11/64-40 L=7				1
46	SS7110710SP	SCREW 11/64-40 L=7				2
47	SS7110710SP	SCREW 11/64-40 L=7				1

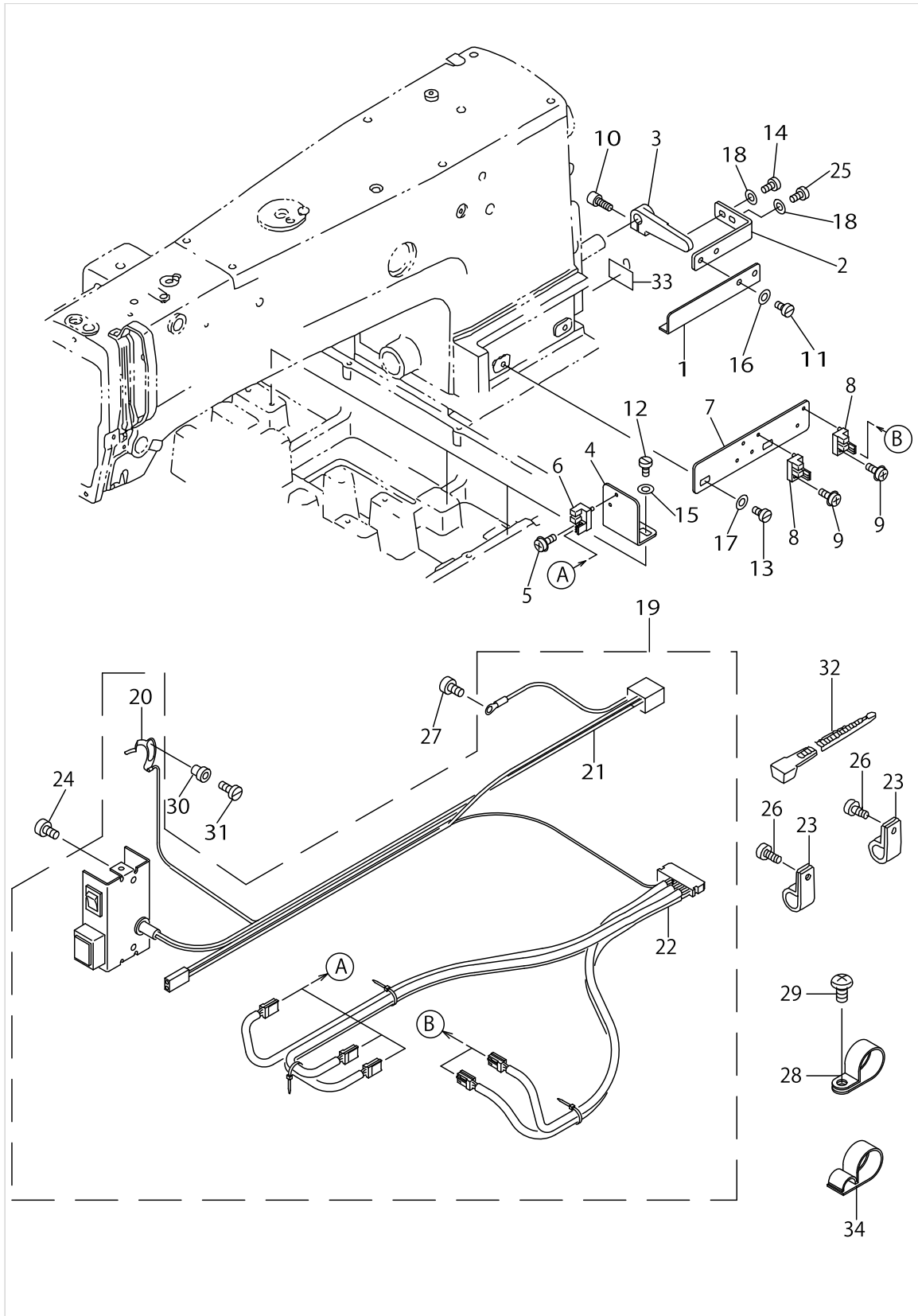
LUBRICATION COMPONENTS



LUBRICATION COMPONENTS

No.	Parts No.	Parts name	Remarks	Level	Cons	Qty
48	SS7110710SP	SCREW 11/64-40 L=7				1
49	SS7110840SP	SCREW 11/64-40 L=7.8				1
50	SS7110710SP	SCREW 11/64-40 L=7				1
51	WP0621016SD	WASHER 6.2X13X1				1
52	WP0450000SD	WASHER 4.5X8X0.5				1
53	13529607	SHUTTLE PACKING				2
54	B3505280000	SHUTTLE LUBRICATING PLATE				1
55	B3504280000	SHUTTLE FELT				1
56	SS6090440SP	SCREW 9/64-40 L= 4.0				2
57	CQ252200000	OIL WICK				1.6
58	BP300000000	VINYL PIPE				1
59	B3524215000	LUBRICATING ADJUSTING PLATE				1
60	SS7110840SP	SCREW 11/64-40 L=7.8				1

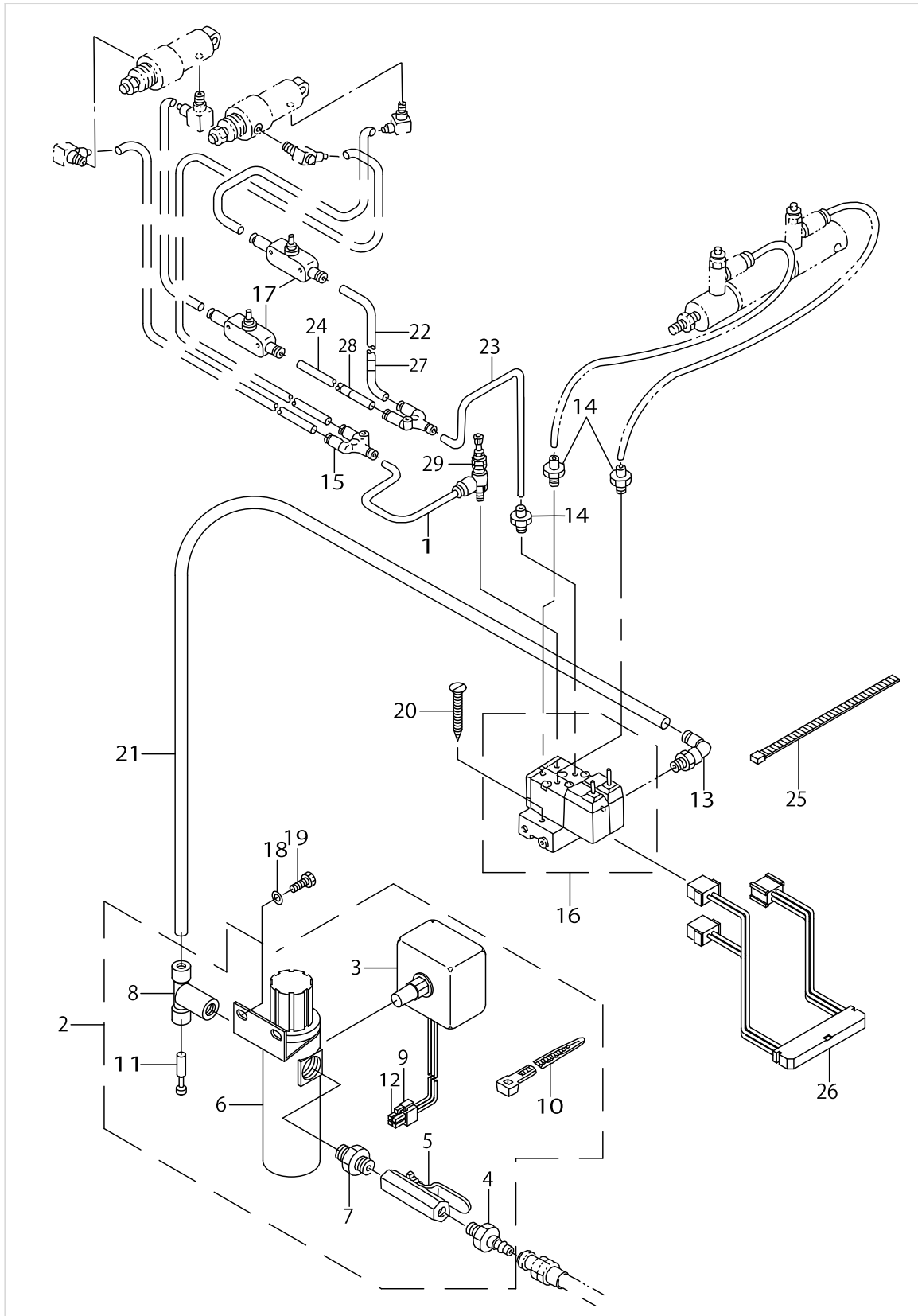
SENSOR COMPONENTS



SENSOR COMPONENTS

No.	Parts No.	Parts name	Remarks	Level	Cons	Qty
1	B4008215000	Y SLIT PLATE				1
2	B4009215000	Y SLIT FIXED PLATE				1
3	13506407	INTERLOCKINK CONNECTING ARM				1
4	B4012215000	X SENSOR MOUNTING PLATE				3
5	SL4031081SF	SCREW M3 L=10				3
6	HD000570000	SENSOR				3
7	B4005215000	Y SENSOR MOUNTING PLATE				1
8	HD000570000	SENSOR				2
9	SL4031081SF	SCREW M3 L=10				2
10	SS6151712TP	SCREW 15/64-28 L=16.5				1
11	SS7110510SP	SCREW 11/64-40 L=5				2
12	SS7110840SP	SCREW 11/64-40 L=7.8				6
13	SS7110840SP	SCREW 11/64-40 L=7.8				2
14	SS7110840SP	SCREW 11/64-40 L=7.8				1
15	WP0450801SD	WASHER 4.5X10X0.8				6
16	WP0450801SD	WASHER 4.5X10X0.8				2
17	WP0450801SD	WASHER 4.5X10X0.8				2
18	WP0501016SD	WASHER 5X10.5X1				2
19	B41102150B0	SWITCH CABLE ASM.				1
20	B41502150A0	CUTTING CONNECTION PLATE ASM.		*		1
21	B41102150A0A	CABLE ASM.		*		1
22	B41302150A0A	SENSOR CORD ASM.		*		1
23	HX00123000A	CABLE CLIP				2
24	SS4110815SP	SCREW 11/64-40 L=8				2
25	SS6120940SP	SCREW 3/16-28 L=9				1
26	SS4110815SP	SCREW 11/64-40 L=8				2
27	SS4110815SP	SCREW 11/64-40 L=8				1
28	EA9502B0100	CLIP				1
29	SS4110815SP	SCREW 11/64-40 L=8				1
30	B2703210000	BUSHING				1
31	SS7090850SP	SCREW 9/64-40 L=8				1
32	HX002920000	BAND				3
33	HX00093000C	CALBE HOLDER				1
34	E9608603000	STICKER (MIDDLE)				1

PNEUMATIC COMPONENTS



PNEUMATIC COMPONENTS

No.	Parts No.	Parts name	Remarks	Level	Cons	Qty
1	BT0400251EB	URETHANE HOSE, BLACK				0.06
2	B47152150A0	FILTER REGULATOR ASM.				1
3	G8124270000	AIR PRESSUE SWITCH		*		1
4	PJ309005203	QUICK JOINT PLUG		*		1
5	G5430116000	AIR COCK		*		1
6	PF0552040B0	FILTER REGULATOR		*		1
7	PJ030520001	RING JOINT (NIPPLE)		*		1
8	PJ305065202	TEE		*		1
9	HK034610040	HOUSING		*		1
10	EA9500B0100	CABLE BAND		*		5
11	PX950009000	PLUG		*		1
12	HK034640000	PIN CONTACT				3
13	PJ304065101	ELBOW UNION 6XPT1/8				1
14	PJ032052503	HOSE NIPPLE				3
15	PJ308040002	QUICK COUPLING				2
16	PV0351130A0	SOLENOID VALVE ASM.				1
17	PC012401000	SPEED CONTROLLER				2
18	WP0531000SC	WASHER 5.3X10X1				2
19	SM9051450SC	SCREW M5X0.8 L=14				2
20	SK3413200SC	WOOD SCREW D=4.1 L=32				2
21	BT0600401EB	TUBE				0.75
22	BT0400251EB	URETHANE HOSE, BLACK				0.7
23	BT0400251EB	URETHANE HOSE, BLACK				0.06
24	BT0400251EB	URETHANE HOSE, BLACK				0.7
25	HX002330000	CLIP				7
26	B47122150A0	SOLENOID VALVE CONNECTOR ASM.				1
27	B471122000H	AIR TUBE LABEL J04 RIGHT				1
28	B471122000D	AIR TUBE LABEL J04 LEFT				1
29	PF070501000	PRESSURE DECREASING VALVE				1

TABLE COMPONENTS

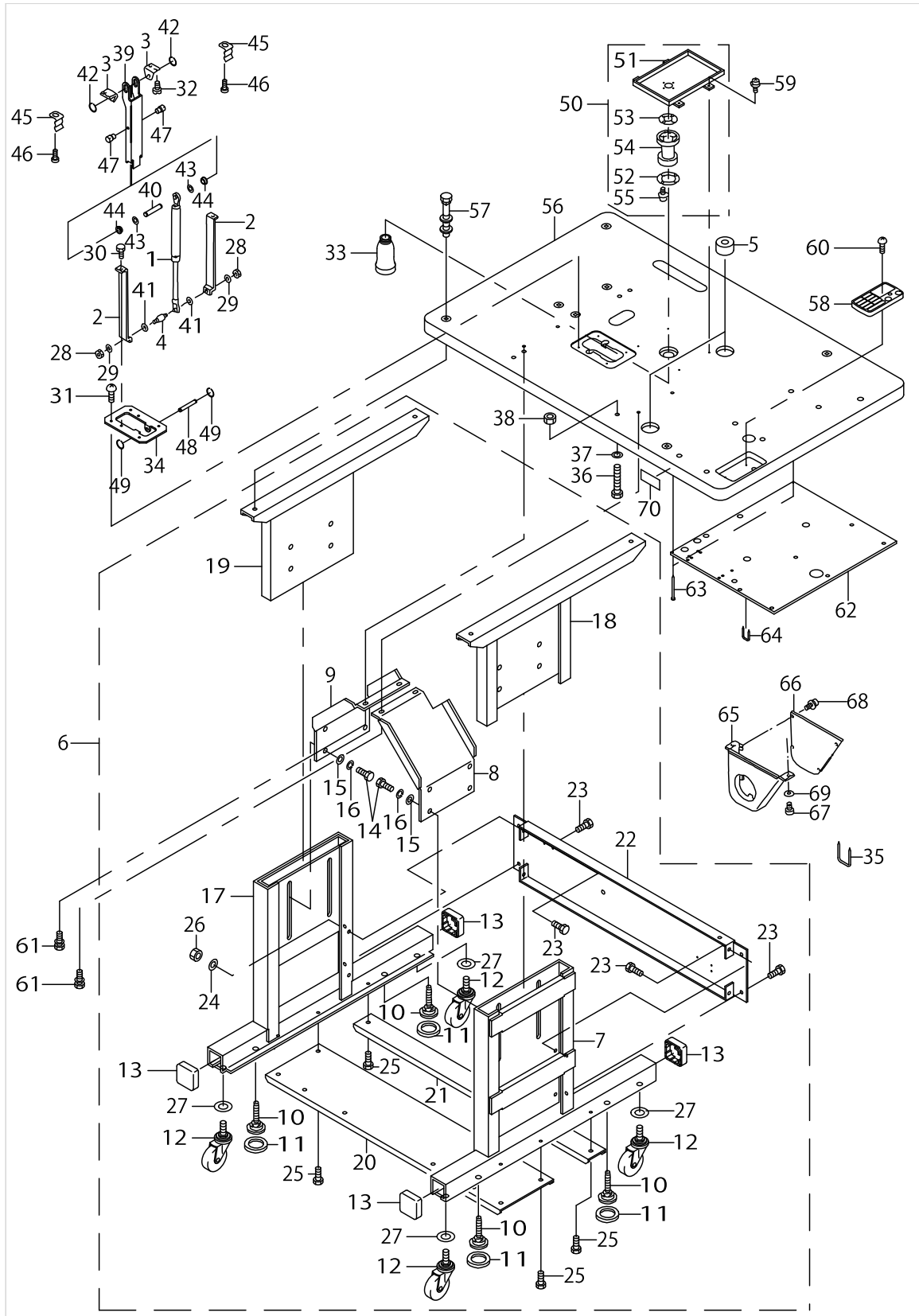


TABLE COMPONENTS

No.	Parts No.	Parts name	Remarks	Level	Cons	Qty
1	B8160229000	GAS SPRING				1
2	B8161220000	LIFTER BRACKET A				2
3	B8162220000	LIFTER BRACKET B				2
4	B8163220000	LIFTER PIVOT PIN				1
5	G5151171000	CUSHION				2
6	B81012150A0	STAND ASM.				1
7	B8102215000	STAND LOWER RIGHT		*		1
8	B8104215000	STAND STAY RIGHT		*		1
9	B8105215000	STAND STAY LEFT		*		1
10	B8108220000	ADJUSTING BOLT		*		4
11	B8109220000	RUBBER CAP		*		4
12	G5032164000	CASTER		*		4
13	20243200	STAND CAP, W		*		4
14	SM9122503SE	SCREW M12 L=25		*		8
15	WP1302501SC	WASHER 13X24X2.5		*		8
16	WS1253010KN	SPRING WASHER 12.5X21.5X3		*		8
17	B8102215A00	STAND LOWER LEFT		*		1
18	B8101215000	UPPER STAND RIGHT		*		1
19	B8101215A00	UPPER STAND LEFT		*		1
20	B8107215000	LOWER SUPPORT A		*		1
21	B8107215A00	LOWER SUPPORT B		*		1
22	B8108215000	SIDE SUPPORT		*		1
23	SL9082093SE	SCREW		*		8
24	WP0841601SC	WASHER 8.4X17.4X1.6		*		2
25	SL9082093SE	SCREW		*		6
26	NM6080001SC	NUT M8X1.25		*		2
27	WP1702616SE	WASHER		*		4
28	NM6060002SE	NUT M6				2
29	WP0641601SC	WASHER				2
30	SM9061403SC	SCREW M6 L=14				2
31	SK3452500SC	WOOD SCREW D=4.5 L=25				4
32	SS9151120CP	SCREW 15/64-28 L=11				4
33	B9121012000	OIL CAN				1
34	B8168215000	BRACKET BASE				1
35	D8204555D00	DRAWER STOPPER				2
36	SM9086503SM	SCREW M8 L=65				1
37	WP0841601SC	WASHER 8.4X17.4X1.6				1
38	NM6080001SC	NUT M8X1.25				1
39	B8115215000	FRAME BRACKET BAR				1
40	13518105	LIFTING LEVER SHAFT				1
41	WP0841600SE	WASHER 8,4X15,5X1,6				2
42	RE0700000K0	E-RING 7				2
43	WP0820816SD	WASHER 8.2X16X0.8				2
44	11023603	BELT COVER COLLAR				2
45	13502109	BED COVER B SPRING				2
46	SS7110410SP	SCREW 11/64-40 L=4				2
47	SS6110510SP	SCREW 11/64-40 L=5				2

TABLE COMPONENTS

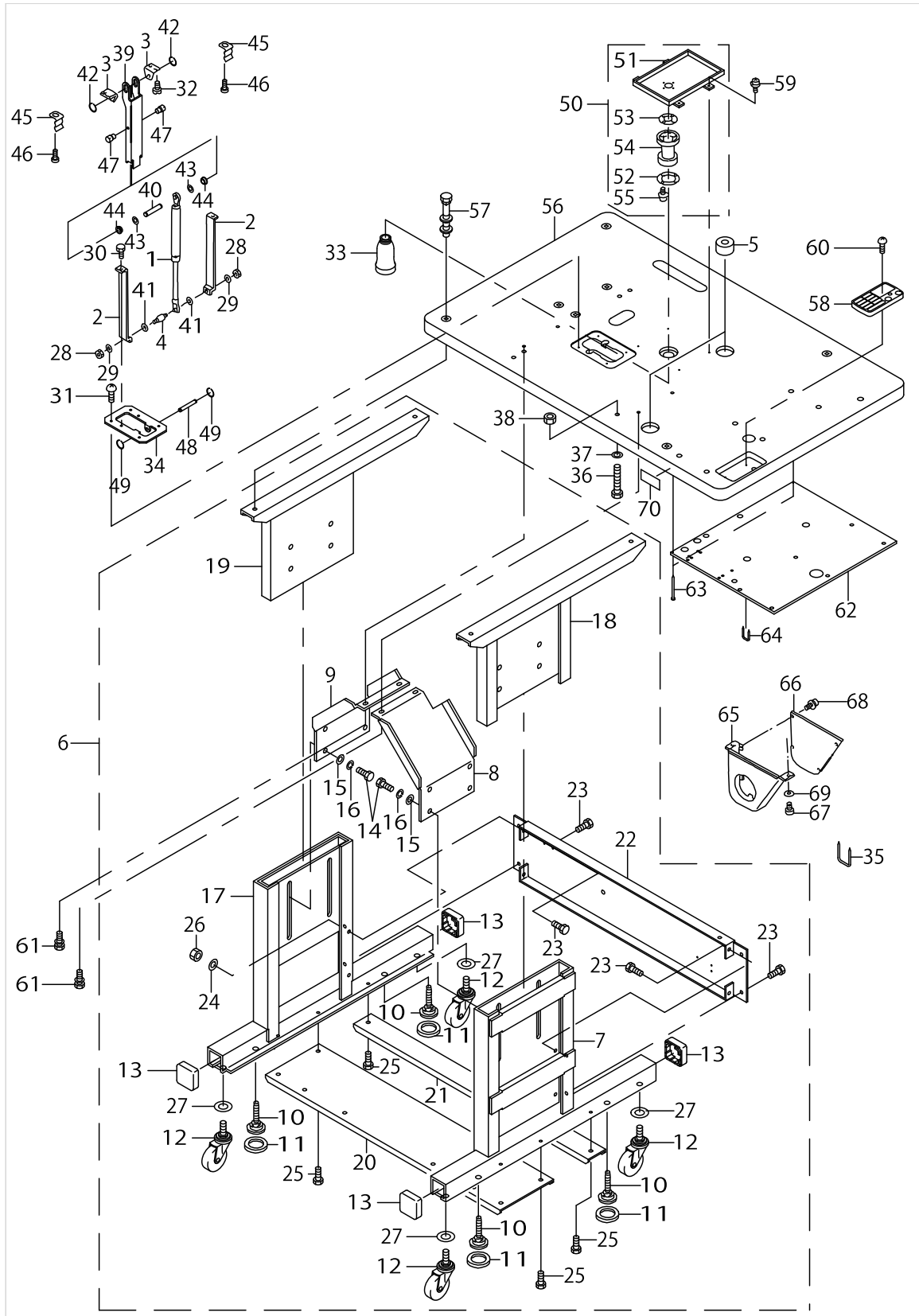
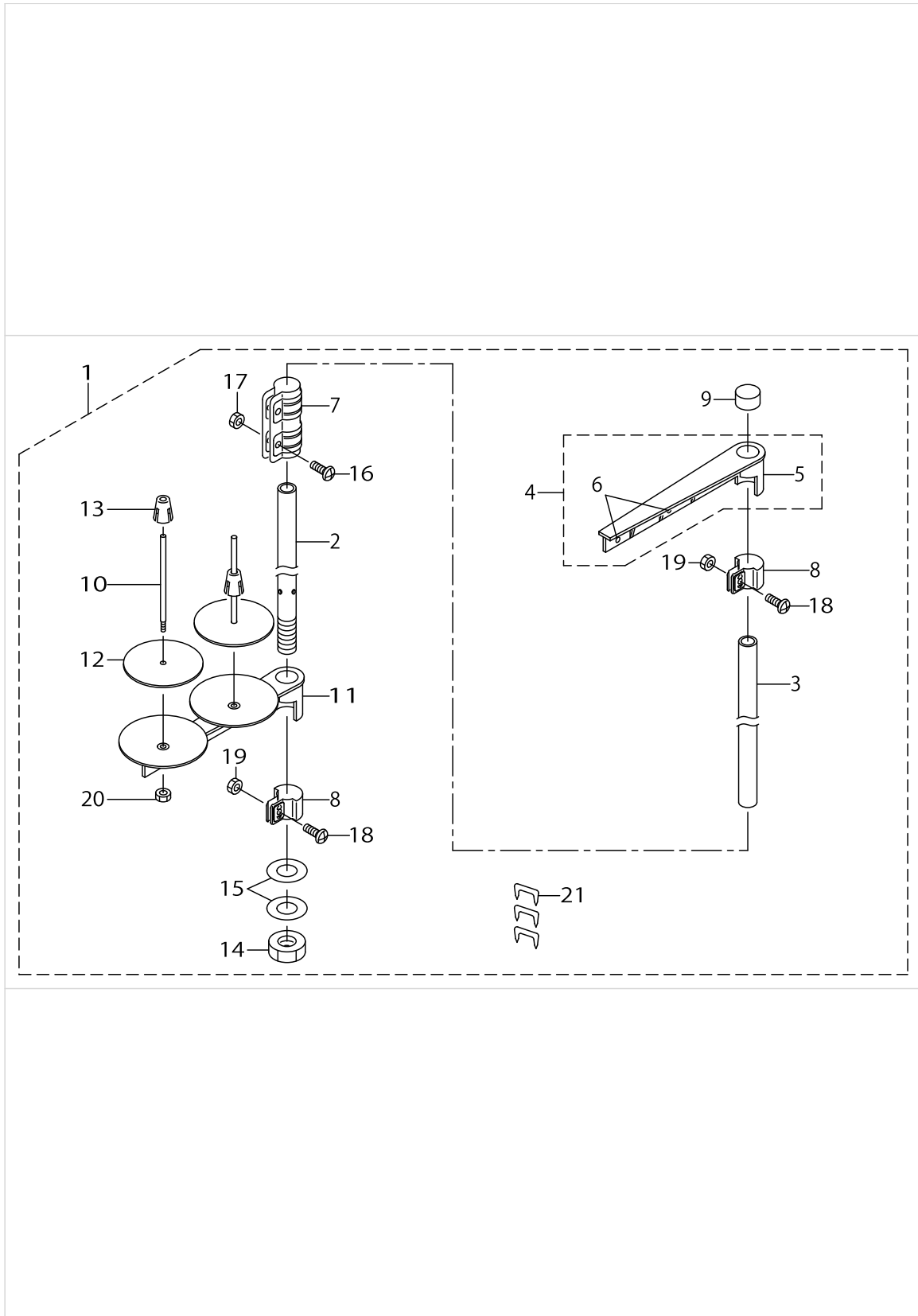


TABLE COMPONENTS

No.	Parts No.	Parts name	Remarks	Level	Cons	Qty
48	D2502232D00	SHAFT BLOCK SHAFT				1
49	RE0700000K0	E-RING 7				2
50	B81102150A0	OIL PAN ASM.				1
51	B8110215000	OIL PAN		*		1
52	B8111220000	WASHER		*		1
53	B8112220000	OIL SEAL		*		1
54	B8202205000	OIL MANAGEMENT		*		1
55	SL4031481SC	SCREW M3 X 14		*		4
56	B8201215000	TABLE				1
57	MTJMS00000S	SCREW SET				5
58	11155751	CASE ASM. B				1
59	SK3382001SE	SCREW D=3.8 L=20				4
60	SK3382001SE	SCREW D=3.8 L=20				2
61	SL9082093SE	SCREW				4
62	B8205215000	EARTH PLATE				1
63	B8210012000	CUSHION SET NAIL				2
64	MAO11532000	CORD STAPLE				1
65	B821021000B	MOTOR PULLEY COVER (A)	FOR EXPORT			1
66	B821121000B	MOTOR PULLEY COVER (B)	FOR EXPORT			1
67	SK3552500SC	WOOD SCREW D=5.5 L=25	FOR EXPORT			2
68	SL4040691SC	SCREW M4 L=6	FOR EXPORT			6
69	WP0561616SC	WASHER 5.6X16X1.6	FOR EXPORT			2
70	CM500100001	CE MARKING LABEL	FOR JE			1

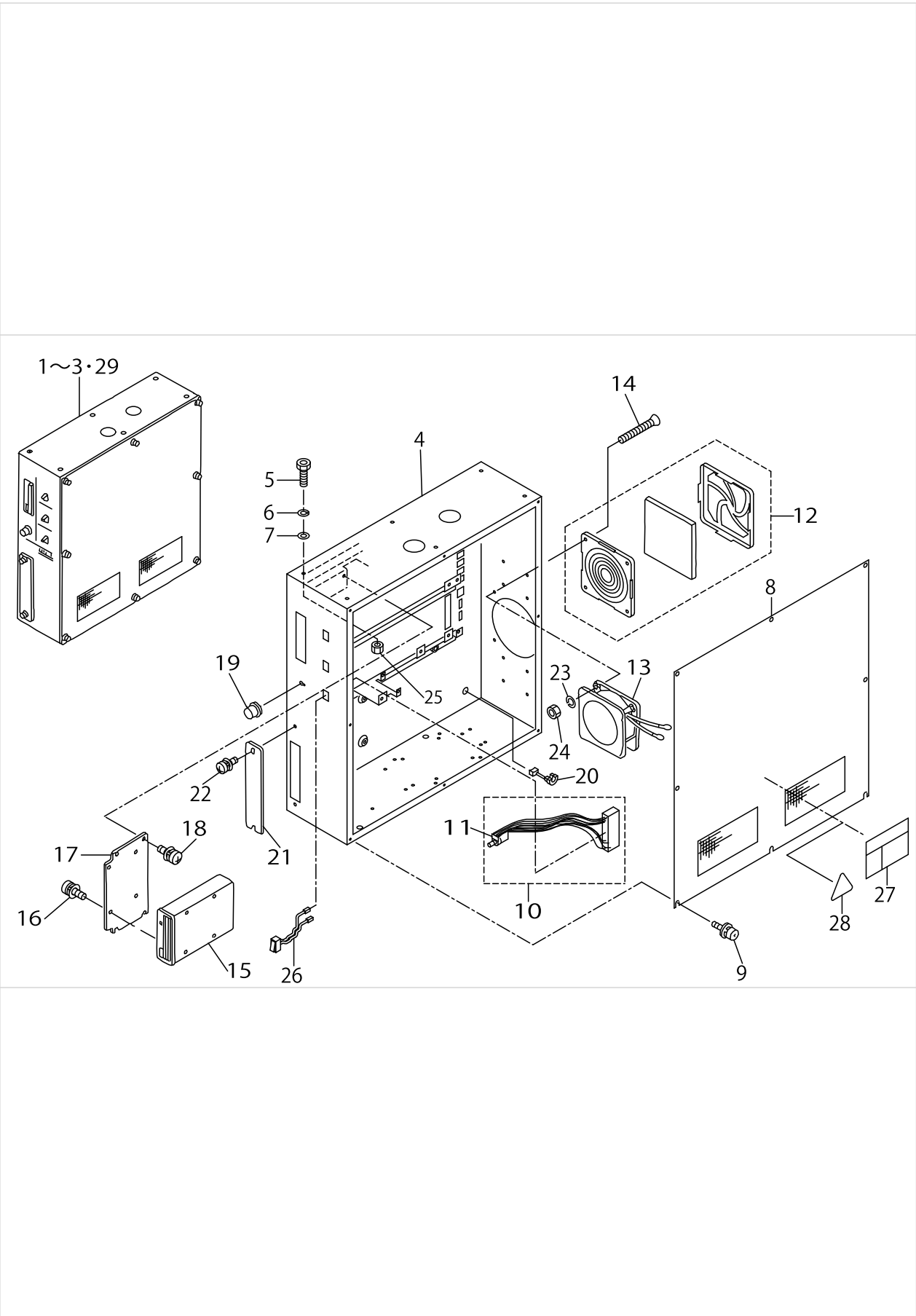
THREAD STAND COMPONENTS



THREAD STAND COMPONENTS

No.	Parts No.	Parts name	Remarks	Level	Cons	Qty
1	11185055	THREAD STAND ASM.				1
2	11185105	SPOOL REST ROD,LOWER		*		1
3	11185204	SPOOL REST ROD,UPPER		*		1
4	11185352	THREAD GUIDE ASM.		*		1
5	11185303	THREAD GUIDE		*		1
6	B3319704L00	THREAD GUIDE		*		2
7	B3305704000A	SPOOL REST ROD JOINT		*		1
8	11185402	THREAD GUIDE ARM JOINT		*		2
9	B3311704000	SPOOL REST ROD CAP		*		1
10	B3320704L00A	SPOOL PIN		*		2
11	11185006	SPOOL REST ARM		*		1
12	B3311012000	SPOOL REST CUSHION		*		2
13	11185501	SPOOL RETAINER		*		2
14	B3317704000	NUT		*		1
15	WP1612616SE	WASHER 16X30X2.6		*		2
16	SM4051405SE	SCREW M5 L=14		*		2
17	NM6050001SE	NUT M5		*		2
18	SM4051405SE	SCREW M5 L=14		*		2
19	NM6050001SE	NUT M5		*		2
20	NM6050001SE	NUT M5		*		2
21	MAO11532000	CORD STAPLE		*		3

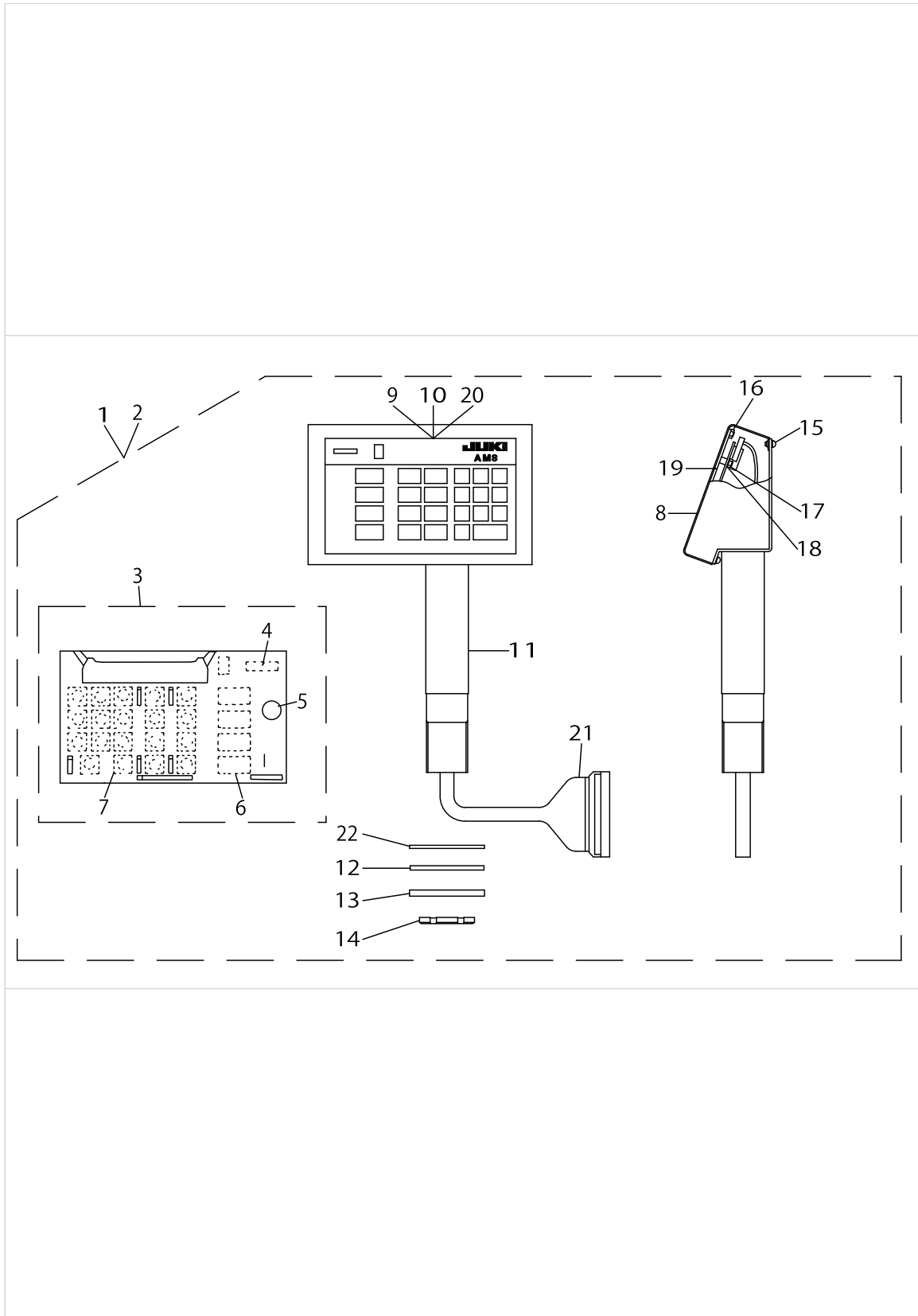
CONTROL COMPONENTS



CONTROL COMPONENTS

No.	Parts No.	Parts name	Remarks	Level	Cons	Qty
1	M8501521BA0A	CONTROL BOX ASM.	FOR DOMESTIC,EXPORT(AC100V)			1
2	M8501521AA0A	CONTROL BOX ASM.	FOR DOMESTIC,EXPORT(AC200V)			1
3	M8501521EA0A	CONTROL BOX ASM.	FOR EXPORT(AC380V)			1
4	M1001518000	CONTROL BOX				1
5	SM3065052TC	SCREW				6
6	WS0610002KN	SPRING WASHER 6.1X12.2X1.5				6
7	WP0651001SC	WASHER				6
8	M10025130AA	CONTROL BOX COVER ASM.				1
9	SL4041091SC	SCREW M4 L=10				8
10	M85325180A0	SPEED VOLUME ASM.				1
11	HR028405030	VOLUME		*		1
12	HM000630010	FILTER				1
13	M85785130A0	FAN ASM.				1
14	SM1044050SM	SCREW M4X0.7 L=40				4
15	HX003840000	FLOPPY DISK 3.5INCH				1
16	SL4030691SC	SCREW M3X6				4
17	M1011512000	FDD INSTALLING PLATE				1
18	SL4041091SC	SCREW M4 L=10				4
19	HX00114000B	KNOB				1
20	HX004100000	BUSH				1
21	M1010510000	PLATE				1
22	SL4041091SC	SCREW M4 L=10				2
23	WS0410002KN	SPRING WASHER				4
24	NM6040001SB	NUT M4				4
25	NM6060001SC	NUT M6				6
26	M85315180A0	SEESAW SWITCH ASM.				3
27	CM300100101	DANGER LABEL (SMALL)	FOR DOMESTIC USE			1
28	CM300100001	LABEL	FOR EXPORT			1
29	M8501521FA0A	CONTROL BOX ASM.	FOR JE(AC380V)			1

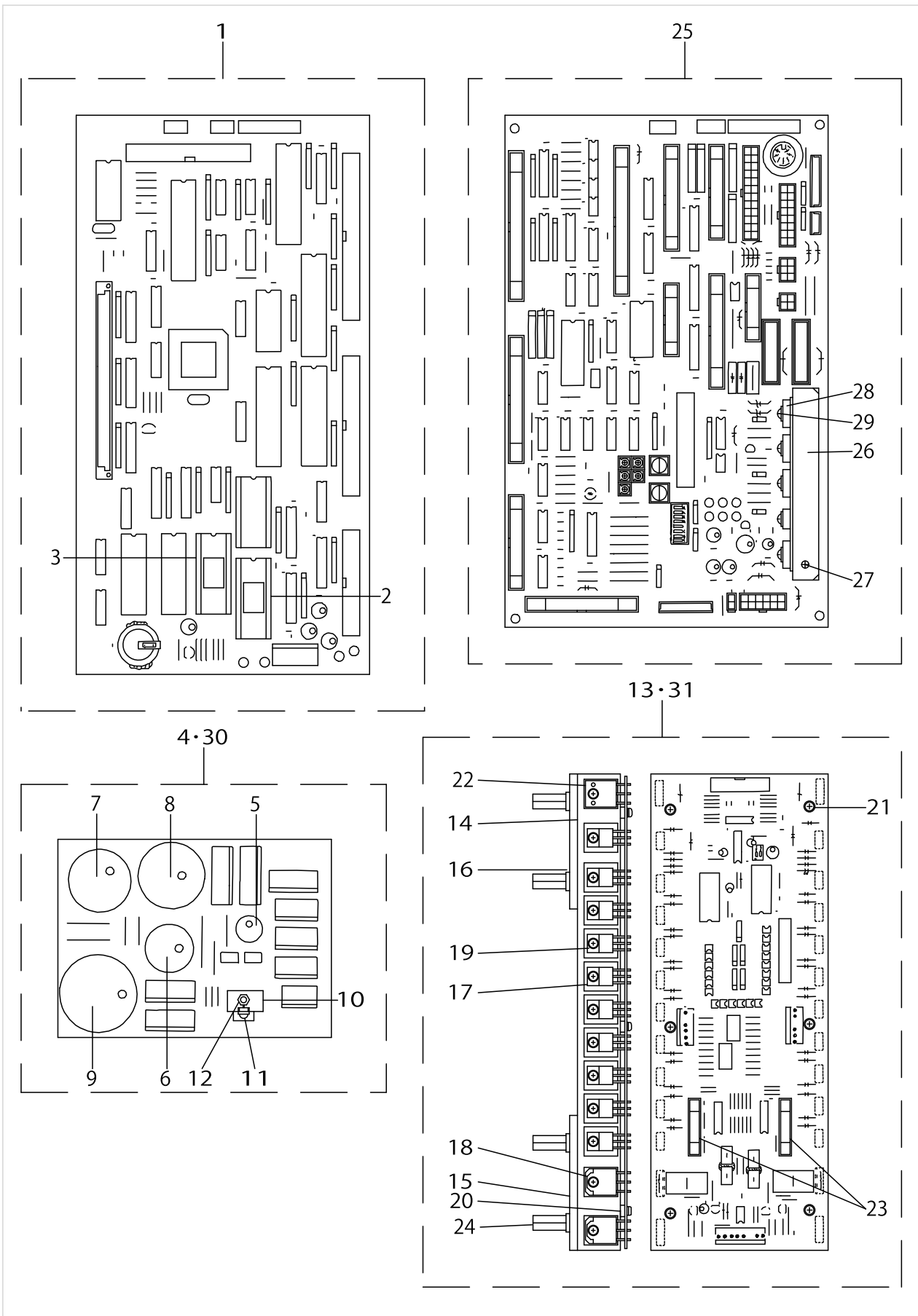
OPERATION BOX COMPONENTS



OPERATION BOX COMPONENTS

No.	Parts No.	Parts name	Remarks	Level	Cons	Qty
1	M8502521AA0	OPERATION BOX A ASM.	FOR DOMESTIC USE			1
2	M8502521BA0	OPERATION BOX B ASM.	FOR EXPORT			1
3	M8670510AA0	OPERATION PCB A ASM.		*		1
4	HG003280000	DIODE (LD701VR)		*		1
5	HX001530000	BUZZER 1		*		1
6	HG003290000	DIODE (LA301VLL)		*		13
7	HA001410000	KEY SWITCH		*		19
8	M1081518000	OPERATION BOX COVER		*		1
9	M300451300G	PANEL SHEET(DOMESTIC)	FOR DOMESTIC USE	*		1
10	M3010518000	OPERATION PANEL SHEET	FOR EXPORT	*		1
11	M85715180A0	OPERATION BOX STAND ASM.		*		1
12	M1076510000	VIBRATION-PROOF RUBBER PAD		*		1
13	M1077510000	WASHER		*		1
14	M1078510000	NUT		*		1
15	SL4030681SC	SCREW M3 L=6		*		4
16	NM6030001SC	NUT M3		*		4
17	NM6030001SC	NUT M3		*		6
18	WP0320500SC	WASHER M3		*		6
19	M1082518000	OPERATION BOX BASE COVER		*		1
20	M3012518000	OPERATION PANEL SHEET (KOREA)	SELECTIVE PART	*		1
21	M90015210A0	SIGNALING CORD ASM.		*		1
22	M1075518000	WASHER		*		1

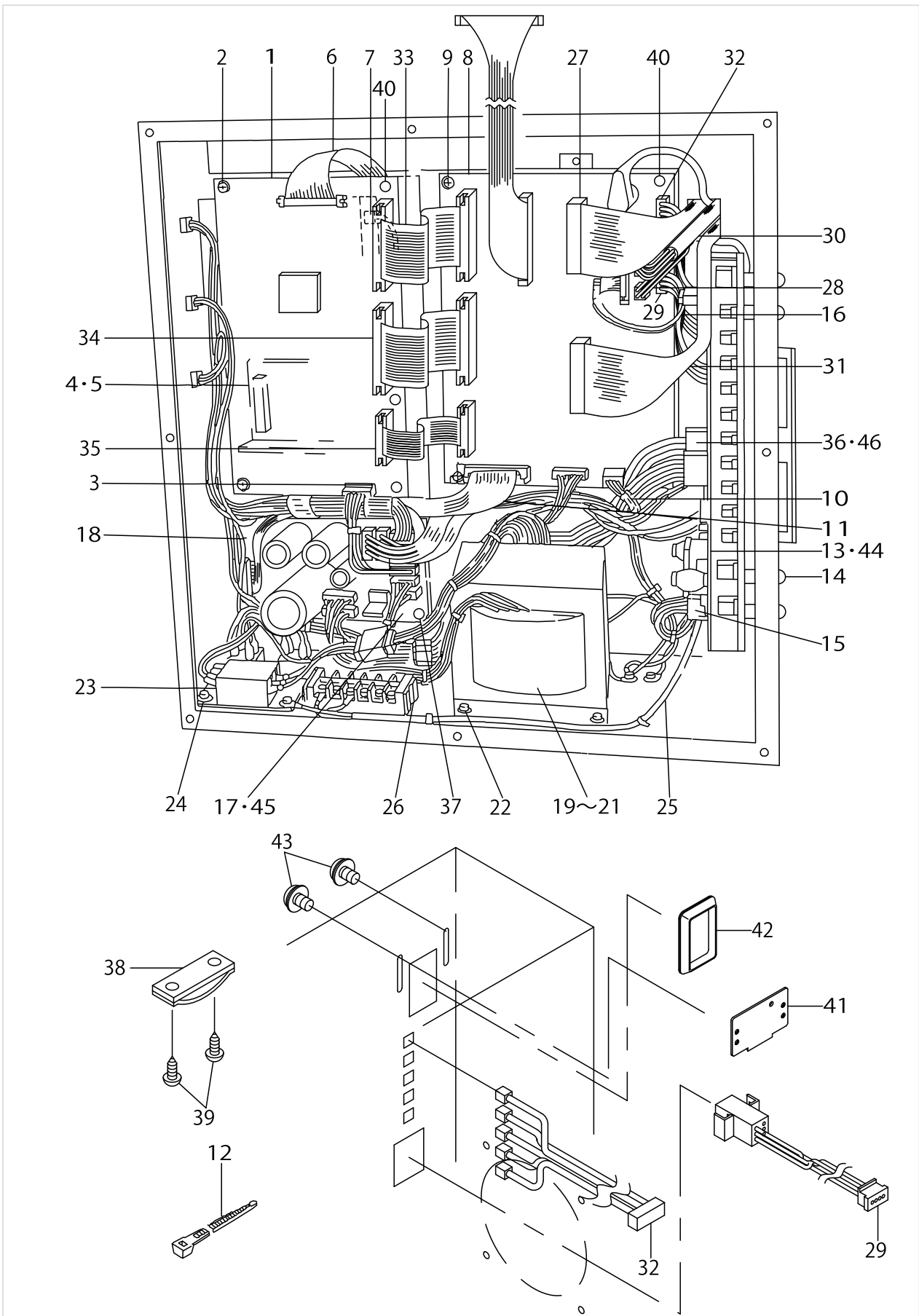
CIRCUIT BOARD COMPONENTS



CIRCUIT BOARD COMPONENTS

No.	Parts No.	Parts name	Remarks	Level	Cons	Qty
1	M8601518AB0	CPU PCB A ASM.				1
2	HL014530004	IC		*		1
3	HL014530005	IC		*		1
4	M86045180A0	POWER BOARD ASM.				1
5	HC010802210	CAPACITOR 220MF		*		1
6	HC028801020	ELECT CAPACITOR 1000MF 100V		*		1
7	HC018803320	CAPACITOR 3300MF		*		1
8	HC034205620	ELECTROLYSIS ALUMINUM 100V		*		1
9	HC018801030	CAPACITOR 10000MF		*		1
10	GBR01713000	TRANSISTOR FIN B		*		1
11	SL4030881SC	SCREW M3X8		*		2
12	NM6030001SC	NUT M3		*		2
13	M86035210A0	PMDC PCB ASM.				1
14	M1003518000	HEAT SINK PLATE, C		*		2
15	M1005518000	HEAT SINK PLATE,E		*		2
16	SL4031481SC	SCREW M3 X 14		*		8
17	HT002460000	TRANSISTOR (2SD1162)		*		20
18	HG003270000	DIODE ARRAY		*		2
19	SL4031081SC	SCREW M3 X 10		*		26
20	M9609171000	SPACER		*		6
21	SL4031481SC	SCREW M3 X 14		*		6
22	HT002570000	TRANSISTOR		*		2
23	E9628252000	FUSE 7A		*		2
24	HX00339000C	PARTS		*		8
25	M86025290B0A	I/F PCB ASM.				1
26	M1001521000	HEAT SINK PLATE		*		1
27	SL4030891SC	SCREW M3X8		*		2
28	HT002570000	TRANSISTOR		*		3
29	SL4031281SC	SCREW M3 L=12		*		5
30	M86045210A0	POWER BASE ASM.	FOR JE(380V)			1
31	M8603521BA0	PMDC BASE B ASM.	FOR JE(380V)			1

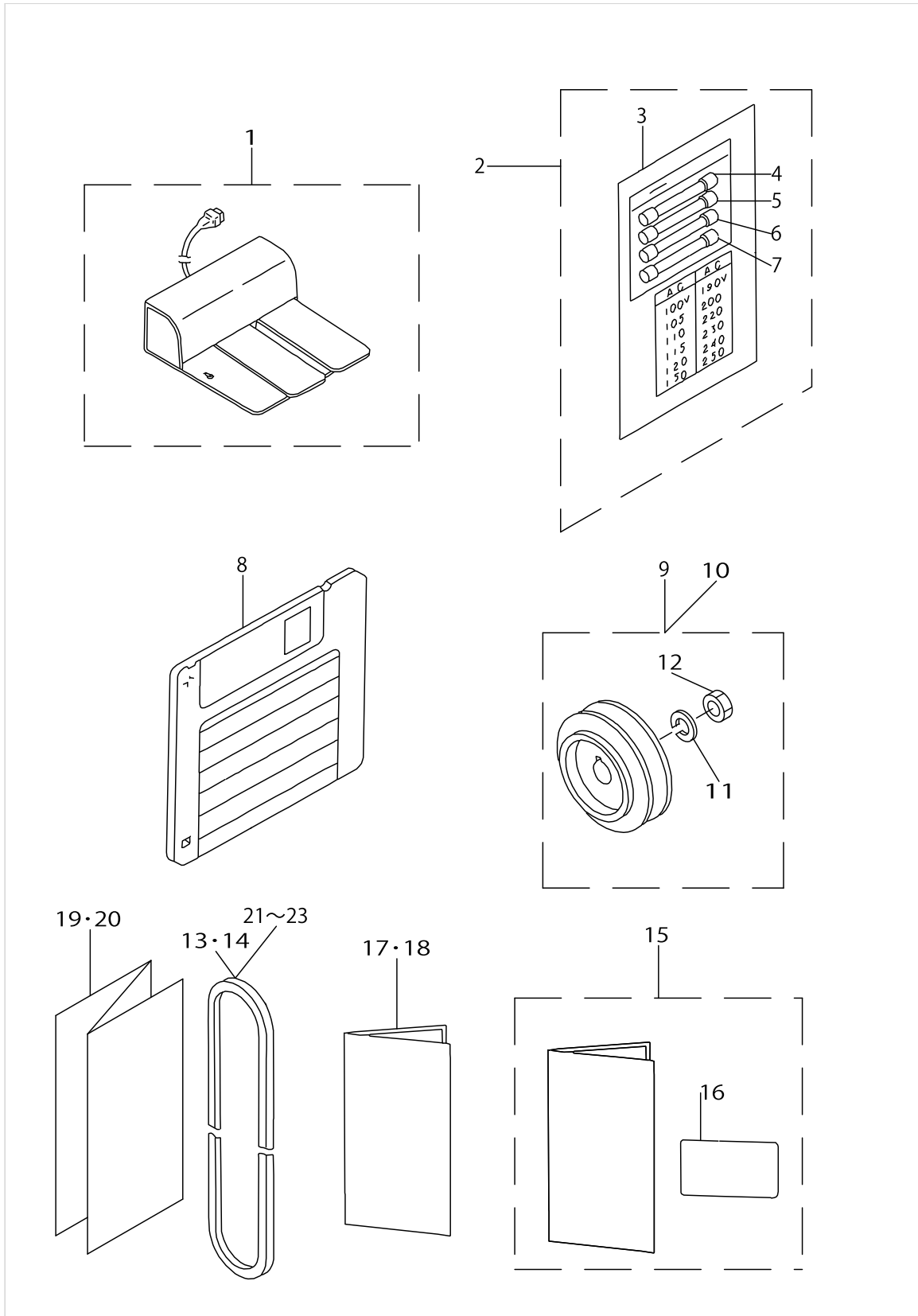
POWER SUPPLY & CORD COMPONENTS



POWER SUPPLY & CORD COMPONENTS

No.	Parts No.	Parts name	Remarks	Level	Cons	Qty
1	M8601518AB0	CPU PCB A ASM.				1
2	SL4030891SC	SCREW M3X8				2
3	M85545120A0	CPU POWER SOURCE CORD ASM.				1
4	M85115120A0	REGULATOR ASM.				1
5	SL4030891SC	SCREW M3X8				2
6	M85465120A0	FDD SIGNALING CORD ASM.				1
7	M85475120A0	FDD POWER SOURCE CORD ASM.				1
8	M86025290B0A	I/F PCB ASM.				1
9	SL4030891SC	SCREW M3X8				2
10	M90065210A0	I/F CONTROL POWER CORD ASM.				1
11	M85515120A0	PGM-1 SIGNALING CORD ASM.				1
12	HX002920000	BAND				1
13	M86035210A0	PMDC PCB ASM.				1
14	SL4040881SF	SCREW M4 L=8				8
15	M85555120A0	PMDC POWER SOURCE CORD ASM.				1
16	M85435120A0	PMDC SIGNALING CORD ASM.				1
17	M86045180A0	POWER BOARD ASM.				1
18	M85525120A0	PGM-1 POWER SOURCE CORD ASM.				1
19	M8513518AA0	POWER TRANS A ASM.	FOR 200V			1
20	M8513518BA0	POWER TRANS B ASM.	FOR 100V			1
21	M8513518CA0	POWER TRANS C ASM.	FOR 380V			1
22	SL4051091SC	SCREW M5X0.8 L=10				4
23	M85145120A0	RECTIFIER ASM.				1
24	SL4041091SC	SCREW M4 L=10				3
25	M8561510CA0	AC INPUT POWER CABLE ASM.				1
26	HK045550060	TERMINAL				1
27	M90045210A0	CENSOR RELAY CORD ASM.				1
28	M90055210A0	CLUTCH BRAKE TRUNK CORD ASM.				1
29	M90085210A0	PEDAL SWITCH TRUNK CORD ASM.				1
30	M90075210A0	SOLENOID TRUNK CORD ASM.				1
31	M90025210A0	ELECTROMAGNETIC VALVE CORD ASM				1
32	M90095210A0	PK-47 TRUNK CORD ASM.				1
33	M90105210A0	SIGNALING CORD A ASM.				1
34	M90115210A0	SIGNALING CORD B ASM.				1
35	M90125210A0	SIGNALING CORD C ASM.				1
36	M90425180A0	PULSE MOTOR CORD ASM.				1
37	HX00269000A	PCB SUPPORT				4
38	M964051000A	CABLE CLIP				2
39	SK3382001SE	SCREW D=3.8 L=20				4
40	HX004150000	BOARD SUPPORT				4
41	17845009	CORD FITTING PLATE				1
42	HX004070000	BUSH				1
43	SL4041091SC	SCREW M4 L=10				2
44	M8603521BA0	PMDC BASE B ASM.	FOR JE			1
45	M86045210A0	POWER BASE ASM.	FOR JE			1
46	M9042518AA0	PULSE MOTOR CORD ASM.	FOR JE			1

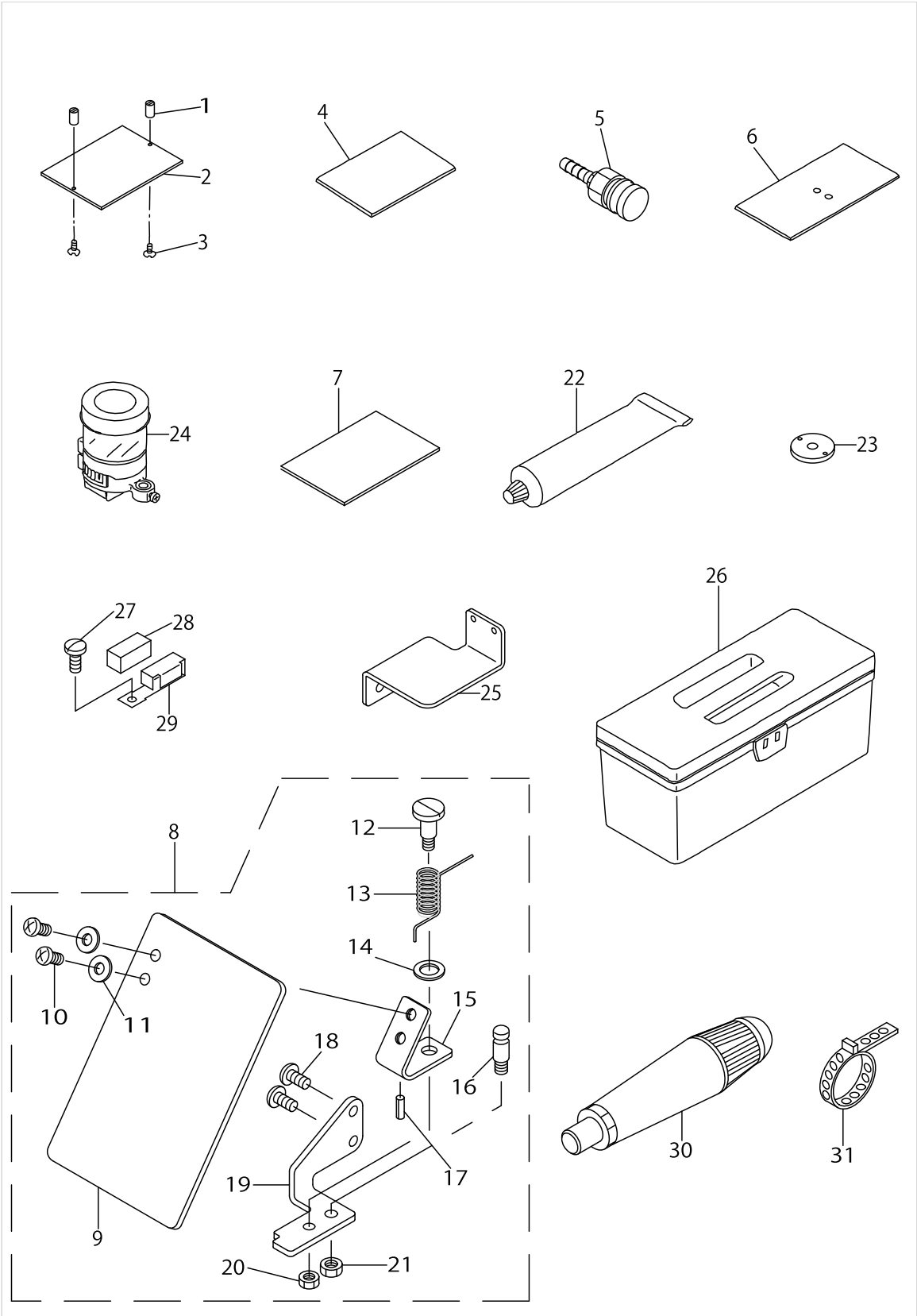
PEDAL & ELECTRIC EQUIPMENT ACCESSORIE PART COMPONENTS



PEDAL & ELECTRIC EQUIPMENT ACCESSORIE PART COMPONENTS

No.	Parts No.	Parts name	Remarks	Level	Cons	Qty
1	M85905130AA	PEDAL SWITCH ASM.				1
2	M85995120A0	ACCESSORIES ASM.				1
3	M3010110B00	VOLTAGE SHEET		*		1
4	E9628252000	FUSE 7A		*		1
5	HF001400700	TIME LAG FUSE 7A		*		1
6	E9611601000	FUSE 1A		*		1
7	E8523304000	FUSE 10A		*		1
8	M8901521000	FLOPPY DISK	FLOPPY DISK IN SERVICE PATTERN			1
9	MTSP0095000	MOTOR PULLEY D=95	FOR 50HZ			1
10	MTSP0080000	MOTOR PULLEY D=80	FOR 60HZ			1
11	WS1002560KR	SPRING WASHER 10X18X2.5		*		1
12	NM6550815SF	NUT		*		1
13	MTJVM005800	V-BELT, 58 INCH	SELEVTIVE PART			1
14	MTJVM005700	V-BELT, 57 INCH	SELEVTIVE PART			1
15	M30045180A0	OPERATION PANEL SHEET ASM.	FOR EXPORT			1
16	M3012518000	OPERATION PANEL SHEET (KOREA)	FOR KOREA	*		1
17	29146800	AMS-215 LIST,JAPANESE				1
18	29145000	SS42 ENGLISH	FOR EXPORT			1
19	29156809	AMS-215 BODY LIST,JAPANESE				1
20	29156908	AMS-215 BODY LIST,ENGLISH	FOR EXPORT			1
21	MTJVM005600	V-BELT, 56 INCH	SELEVTIVE PART			1
22	MTJVM005500	V-BELT, 55 INCH	SELECTIVE PART(FOR AMS-215CGS)			1
23	MTJVM005400	V-BELT, 54	SELECTIVE PART(FOR AMS-215CGS)			1

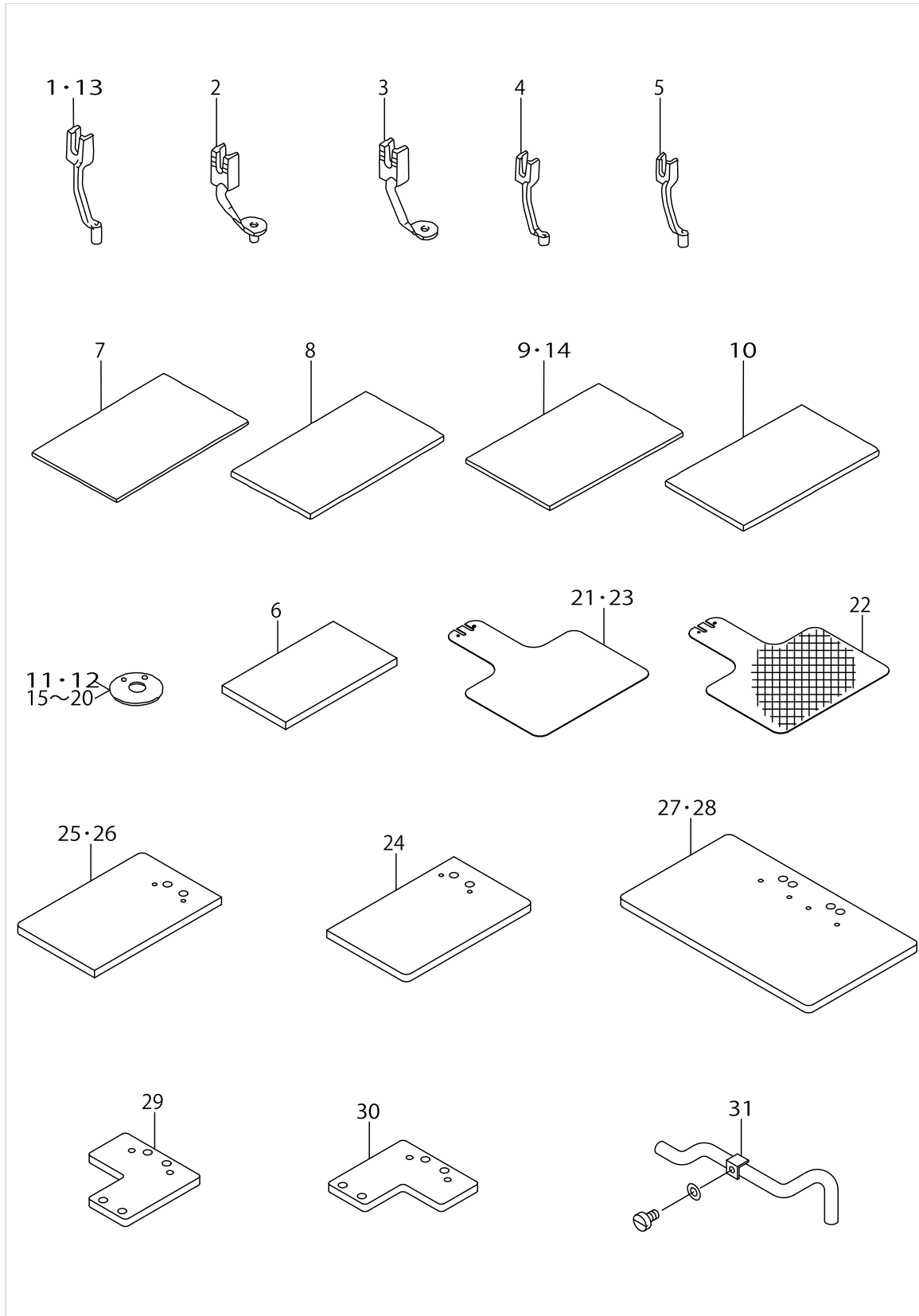
ACCESSORIE PART COMPONENTS



ACCESSORIE PART COMPONENTS

No.	Parts No.	Parts name	Remarks	Level	Cons	Qty
1	B2559220000	HINGE PIN				4
2	B2557215000	PLASTIC BLANK				2
3	SS1090510SP	SCREW 9/64-40 L=5				4
4	B2591220000	RUBBER SHEET				2
5	PJ309520001	SOCKET				1
6	B1170215000	AUXILIARY COVER SHEET				2
7	B2564215000	SPONGE				1
8	13551254	SAFETY PLATE ASM.				1
9	B3120372000	SAFETY PLATE		*		1
10	SS4110715SP	SCREW 11/64-40 L=7		*		2
11	WP0450801SD	WASHER 4.5X10X0.8		*		2
12	SD0601021SP	HINGE SCREW D=6 H=10.2		*		1
13	13943204	SAFETY PLATE RETURN SPRING		*		1
14	WP0740516SP	WASHER 7.4X11.8X0.5		*		1
15	B3121372000	SAFETY PLATE INSTALLING PLATE		*		1
16	B1506352000	TENSION SPRING RACK B		*		1
17	PS0200062KH	SPRING PIN 2X6		*		1
18	SS4110715SP	SCREW 11/64-40 L=7		*		2
19	13551205	SAFETY PLATE INSTALLING BASE		*		1
20	NS6110310SP	NUT 11/64-40		*		1
21	NS6120310SP	NUT 3/16-28		*		1
22	13525506	GREASE TUBE				1
23	B242621000G	NEEDLE HOLE GUIDE D=3	FOR AMS-215CGS			1
24	MAXAP30EX00	SILICON OIL LUBRICANT CASE	FOR AMS-215CGS			1
25	B2535210000	TANK BASE	FOR AMS-215CGS			1
26	B8601WP10A0	TOOL BOX ASM.				1
27	SS7090910SP	SCREW 9/64-40 L= 8.5				1
28	B1131528000	FELT				1
29	10102259	THREAD GUIDE ASM. F				1
30	B9101215000	FRAME CAP				1
31	PB000010000	HOSE BAND				1

OPTIONAL PART COMPONENTS

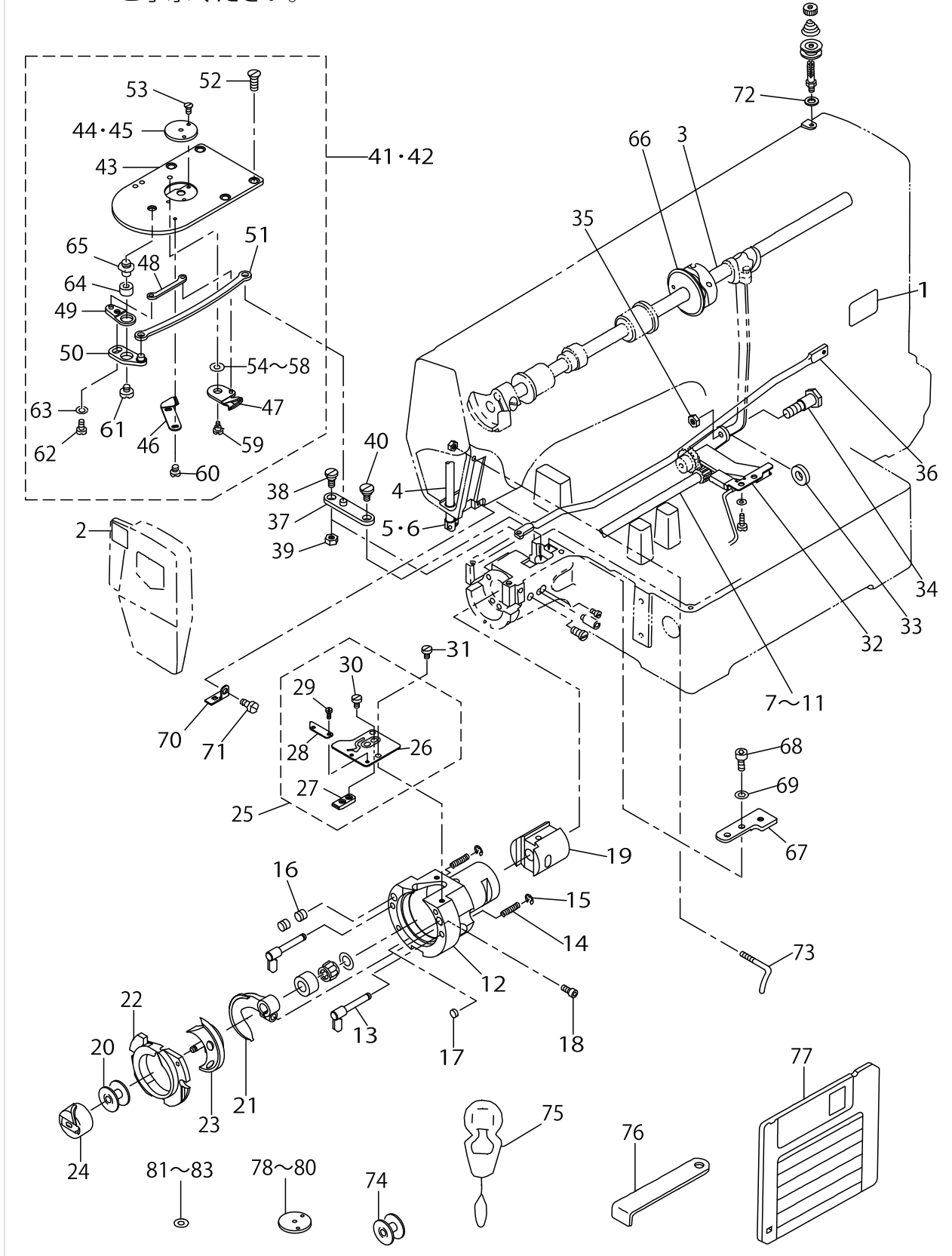


OPTIONAL PART COMPONENTS

No.	Parts No.	Parts name	Remarks	Level	Cons	Qty
1	B160122000B	INTERMEDIATE PRESSER B				1
2	B160122000C	INTERMEDIATE PRESSER C				1
3	B160122000D	INTERMEDIATE PRESSER D				1
4	B160122000E	INNER PRESSER (E)				1
5	B160122000F	INNER PRESSER (F)				1
6	B2564215000	SPONGE				1
7	B2587220000	WORK CLAMP PAPER MATERIAL (A)				1
8	B2588220000	WORK CLAMP PAPER MATERIAL (B)				1
9	B259522000A	PRESSER CLOTH SHEET				1
10	B259522000B	PRESSER CLOTH SHEET B				1
11	B242621000B	NEEDLE HOLE GUIDE D=2.0	OPTIONAL PART FOR AMS-215C			1
12	B242621000G	NEEDLE HOLE GUIDE D=3	OPTIONAL PART FOR AMS-215C			1
13	B160122000G	INNER PRESSER G				1
14	B259522000C	PRESSER CLOTH SHEET				1
15	B242621000A	NEEDLE HOLE GUIDE D=1.6	OPTIONAL PART FOR AMS-215C			1
16	B242621000C	NEEDLE HOLE GUIDE D=1.6	OPTIONAL PART FOR AMS-215C			1
17	B242621000D	NEEDLE HOLE GUIDE D=2.4	OPTIONAL PART FOR AMS-215C			1
18	B242621000E	NEEDLE HOLE GUIDE (E)	OPTIONAL PART FOR AMS-215C			1
19	B242621000F	NEEDLE HOLE GUIDE D=3.0	OPTIONAL PART FOR AMS-215C			1
20	B242621000H	NEEDLE HOLE GUIDE D=3.0	OPTIONAL PART FOR AMS-215C			1
21	B2556215B00	LOWER PLATE BLANK				1
22	B2556215C00	LOWER PLATE BLANK				1
23	B2556215D00	LOWER PLATE BLANK				1
24	B2622215000	FEEDING FRAME BLANK,RIGHT				1
25	B2623215000	FEEDING FRAME BLANK,LEFT				1
26	B2626215000	2-STEP FEEDING FRAME BLANK				2
27	B2621215000	FEEDING FRAME BLANK PLATE				1
28	B2620215000	FEEDING FRAME BLANK PLATE				1
29	B26302150A0	SLIDING PLATE ASM. LEFT				1
30	B2630215AA0	SLIDING PLATE ASM. RIGHT				1
31	B47202150B0	NEEDLE COOLER ASM.				1

AMS-215P EXCLUSIVE PART COMPONENTS

(Caution) Please understand that the specifications of the current AMS-215C cannot be modified to those of the AMS-215P.
 (注意) 現行のAMS-215CからAMS-215Pへ改造による仕様変更はできません。ご了承ください。

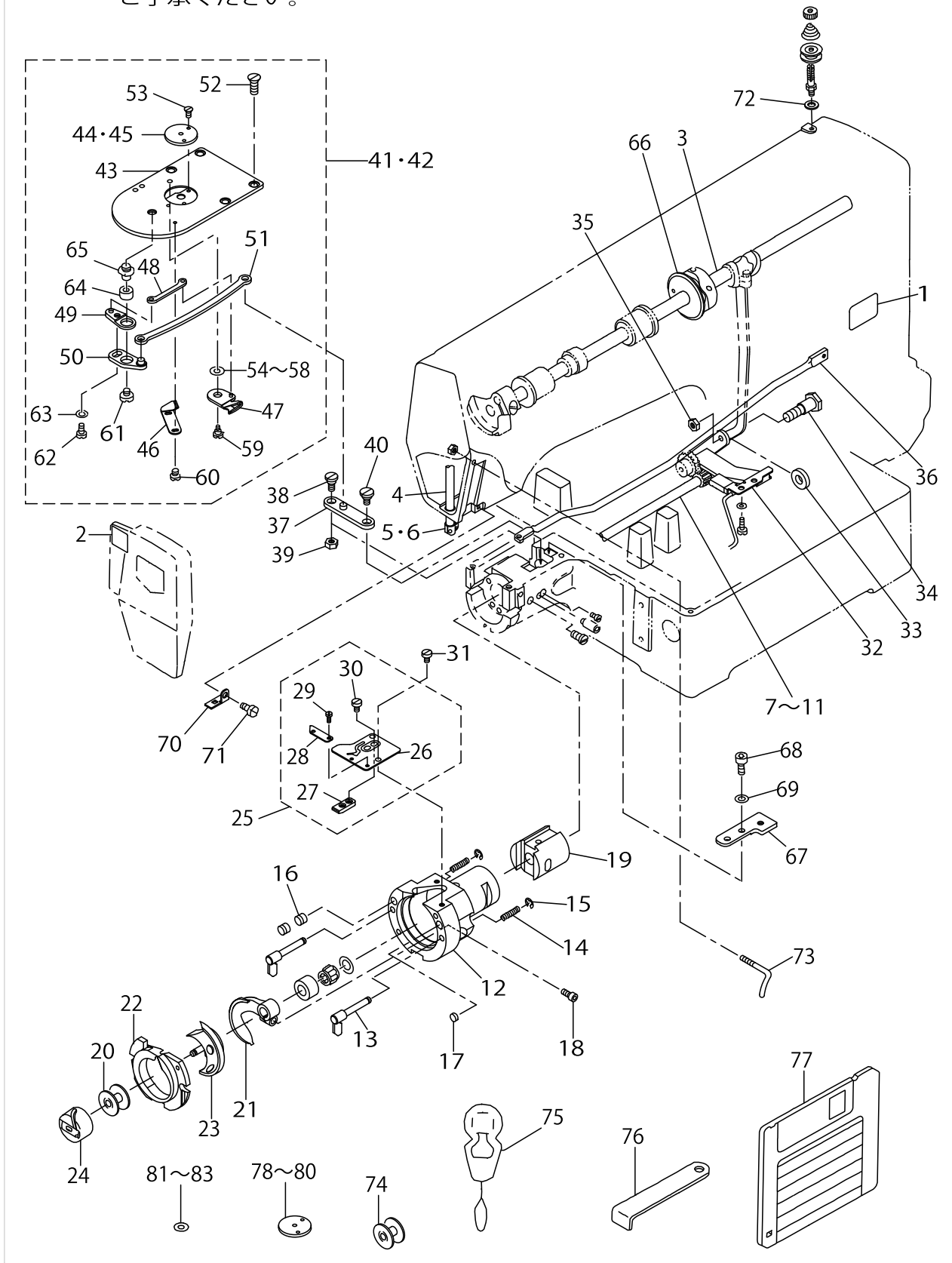


AMS-215P EXCLUSIVE PART COMPONENTS

No.	Parts No.	Parts name	Remarks	Level	Cons	Qty
1	B1114215P00	MODEL NAME PLATE				1
2	B1191215P00	NEEDLE SETTING LABEL				1
3	B1201215P00	MAIN SHAFT				1
4	B1401215P00	NEEDLE BAR				1
5	B1405215P00	THREAD GUIDE A				1
6	B1406215P00	THREAD GUIDE H	FOR HEAVY-WEIGHT MATERIAL			1
7	B1811215PAA	SHUTTLE DRIVING SHAFT ASM.	SELECTIVE PART			1
8	B1811215PAB	SHUTTLE DRIVING SHAFT ASM.	SELECTIVE PART			1
9	B1811215PAC	SHUTTLE DRIVING SHAFT ASM.	SELECTIVE PART			1
10	B1811215PAY	SHUTTLE DRIVING SHAFT ASM.	SELECTIVE PART			1
11	B1811215PAZ	SHUTTLE DRIVING SHAFT ASM.	SELECTIVE PART			1
12	B1814215P00	SHUTTLE				1
13	B1820215PA0A	INNER HOOK PRESSER ASM.				2
14	B1822215P00	INNER HOOK PRESSER SPRING				2
15	RE0300000K0	E-RING 3				2
16	B1226552000	ROLLER FELT				2
17	13529607	SHUTTLE PACKING				1
18	SS6121212TP	SCREW 3/16-28 L=12.0				1
19	B1831215P00	BUSHING, FRONT				1
20	B1805215P00	BOBBIN				1
21	B1812215P00	SHUTTLE DRIVER				1
22	B1817215PA0	SHUTTLE RACE RING ASM.				1
23	B1818215P00	SHUTTLE				1
24	B1828215PA0	BOBBIN CASE ASM.				1
25	B1815215PA0	SHUTTLE UPPER SPRING ASM.				1
26	B1815215P00	SHUTTLE UPPER SPRING		*		1
27	B1840215P00	LOOP RECEIVING PLATE		*		1
28	B1841215P00	LOWER THREAD HOLDER		*		1
29	SS6060220SP	SCREW 3/32-56 L= 2.0		*		2
30	SS6090420SP	SCREW 9/64-40 L= 4.0		*		2
31	SS6090420SP	SCREW 9/64-40 L= 4.0				2
32	B3506215PA0	OIL FELT SUPPORTING PLATE ASM.				1
33	B1842215P00	CRANK ROD SPACER				1
34	B1843215P00	HINGE SCREW				1
35	NS6660430SP	NUT 1/4-40				1
36	B2413215P00	KNIFE DRIVING BAR				1
37	B2430215PA0	CONNECTING ARM ASM.				1
38	SD0640326TP	HINGE SCREW				1
39	NS6110310SP	NUT 11/64-40				1
40	SD0640326TP	HINGE SCREW				1
41	B2425215PA0	NEEDLE PLATE ASM.				1
42	B2425215PAB	NEEDLE PLATE ASM., H	FOR HEAVY-WEIGHT MATERIAL			1
43	B2425215P00	NEEDLE PLATE		*		1
44	B2426215P0A	NEEDLE HOLE GUIDE D=1.6		*		1
45	B2426215P0B	NEEDLE HOLE GUIDE D=2.0	FOR HEAVY-WEIGHT MATERIAL	*		1
46	B2424215P00	COUNTER KNIFE		*		1
47	B2421215PA0	MOVING KNIFE ASM.		*		1

AMS-215P EXCLUSIVE PART COMPONENTS

(Caution) Please understand that the specifications of the current AMS-215C cannot be modified to those of the AMS-215P.
 (注意) 現行のAMS-215CからAMS-215Pへ改造による仕様変更はできません。ご了承ください。



AMS-215P EXCLUSIVE PART COMPONENTS

No.	Parts No.	Parts name	Remarks	Level	Cons	Qty
48	B2418215P00	MOVING KNIFE LINK		*		1
49	B2415215PA0	TRIMMING LEVER ASM. (SMALL)		*		1
50	B2414215PA0	MOVING KNIFE DRIVING LEVER ASM		*		1
51	B2432215P00	THREAD TRIMMING ROD		*		1
52	SS1110640TP	SCREW 11/64-40 L= 5.5		*		4
53	SS1060210TP	SCREW 3/32-56 L=2.2		*		2
54	B242328000C	MOVING KNIFE WASHER C	SELECTIVE PART	*		1
55	B242328000D	MOVING KNIFE WASHER D	SELECTIVE PART	*		1
56	B242328000E	MOVING KNIFE WASHER E	SELECTIVE PART	*		1
57	B242328000F	MOVING KNIFE WASHER F	SELECTIVE PART	*		1
58	B242328000G	MOVING KNIFE WASHER G	SELECTIVE PART	*		1
59	B2417210000	MOVING KNIFE HINGE SCREW		*		1
60	SS7060310SP	SCREW 3/32-56 L=3		*		2
61	SS6110430TP	SCREW 11/64-40 L= 4.0		*		1
62	SS7110740TP	SCREW 11/64-40 L=7		*		1
63	WP0450846SP	WASHER		*		1
64	B2416280000	THREAD CUTTING LEVER RING		*		1
65	B2417280000	THREAD CUTTER LEVER SHAFT		*		1
66	B2401215P00	THREAD TRIMMING CAM				1
67	B2431215P00	CONNECTING BASE				1
68	SM6040802TP	SCREW M4X0.7 L=8				2
69	WP0450000SD	WASHER 4.5X8X0.5				2
70	B1129210000	FRAME THREAD GUIDE (B)				1
71	SS7110840SP	SCREW 11/64-40 L=7.8				1
72	WP0641600SC	WASHEW 6.4X12.5X1.6				1
73	B1125215P00	L-SHAPED THREAD GUIDE				1
74	B1805215P00	BOBBIN	ACCESSORIE PART FOR AMS-215P			1
75	B9107761000	THREAD PASSING INSTRUMENT	ACCESSORIE PART FOR AMS-215P			1
76	B9101490000	DRIVER	ACCESSORIE PART FOR AMS-215P			1
77	M890152100P	FLOPPY DISK P	ACCESSORIE PART FOR AMS-215P			1
78	B2426215P0C	NEEDLE HOLE GUIDE D=2.4	OPTIONAL PART FOR AMS-215P			1
79	B2426215P0D	NEEDLE HOLE GUIDE D=3.0	OPTIONAL PART FOR AMS-215P			1
80	B2426215P0E	NEEDLE HOLE GUIDE D=3.0 C.BORE	OPTIONAL PART FOR AMS-215P			1
81	B242328000D	MOVING KNIFE WASHER D	ACCESSORIE PART FOR AMS-215P			1
82	B242328000F	MOVING KNIFE WASHER F	ACCESSORIE PART FOR AMS-215P			1
83	B242328000G	MOVING KNIFE WASHER G	ACCESSORIE PART FOR AMS-215P			1

HOW TO MAKE USE OF THIS PARTS LIST

1.As to "#01" and "#02" refer to the "Note" given at the bottom of the respective pages.

2.Codes on the "Qty" column

- Each numeral indicates the number of parts required.
- "0.1" and "2.5" indicate the length (in meters) of the respective parts.

3.Parentheses mean that the corresponding part is a subpart that constructs an assembly part.

4.Dotted lines on the Figures indicate assembly parts.

1. リストページの# 0 1、# 0 2の印は、ページ下の"注記"の説明を参照下さい。
2. 数量欄の数字は、個数を表し、0. 1、2. 5等の数値は、長さ（単位メートル）を表します。
3. 数量欄の（ ）は、組部品を構成している子部品であることを意味します。
4. イラストページの-----枠は、組構成であることを意味します。

NUMERICAL INDEX OF PARTS

PART NO	PAGE	REF NO.	PART NO	PAGE	REF NO.	PART NO	PAGE	REF NO.
10007003	2	28	29146800	62	17-18	B1155215000	10	33
10102259	64	29	29156809	62	19-20	B1156215000	10	11
10120004	16	27	29156908	62	19-20	B1157215000	10	9
10129104	4	85	B110422000B	2	8	B1160215000	10	13
10502300	4	81	B11042200AB	2	7	B1161220B00	34	6
11023603	48	44	B110522000A	2	1	B1170215000	8	8
11071602	16	29	B1106215000	10	1	B1170215000	64	6
11071701	16	31	B1107215000	10	2	B1178191000	2	46
11155751	50	58	B1108215000	8	2	B1181215000	8	20
11185006	52	11	B1108215A00	8	1	B11872150A0	10	10
11185055	52	1	B1111215000	10	3	B11882150A0	10	5
11185105	52	2	B1111232000	2	38	B1191215P00	68	2
11185204	52	3	B1112215000	8	4	B1201215000	12	1
11185303	52	5	B1113210000	8	3	B1201215P00	68	3
11185352	52	4	B1113224000	8	5	B1202210000	12	7
11185402	52	8	B1114215P00	68	1	B1203215000	12	10
11185501	52	13	B1115215000	10	4	B1203280000	12	30-67
13501309	2	47	B1115232000	2	77	B12042100A0	12	8
13501408	4	48	B1115232000	4	77	B12052100AA	12	17
13501705	4	49	B11152320A0	2	75	B12052100BA	12	16
13502109	48	45	B11152320A0	4	75	B1206210000	12	9-65
13506407	44	3	B1116215000	10	35	B1206210A00	14	9-65
13508205	20	33	B1117220000	2	2	B1207205000	12	11
13508403	20	8	B1121224000	8	7	B12082100A0	12	19
13508700	20	35	B112222000B	2	3	B12092100A0	12	2
13508809	20	36	B112322000B	2	4	B1223771000	12	47
13508908	20	37	B1123280000	2	40	B1226552000	68	16
13512405	22	81	B1124220000	2	5	B1401210000	12	23
13513205	28	12	B1125215P00	70	73	B1401210A00	14	63
13513304	28	13	B1125220000	2	6	B1401215P00	68	4
13518105	48	40	B1125280000	2	42-80	B1402280000	12	24
13525506	64	22	B1126210000	2	36	B1403280000	12	27
13529607	42	53	B1126552000	2	44	B1404280000	12	31
13529607	68	17	B1127280000	2	43	B1405012000	4	69
13530209	40	38	B112821000B	2	37	B1405210000	12	25
13551205	64	19	B1129210000	2	41	B1405215P00	68	5-6
13551254	64	8	B1129210000	70	70	B1406210000	14	48
13816608	2	39	B1130215000	10	23	B1406215P00	68	5-6
13816855	20	34	B1131528000	64	28	B1407210000	14	30-67
13817408	26	7-15	B1132224000	8	6	B14115520A0	12	28
13817457	26	2	B1132521000	4	83	B1411804A00	12	40~43
13943204	64	13	B1143210000	4	94	B1411804A00	20	29~32
17845009	60	41	B1145210000	4	84	B1411804B00	12	40~43
20243200	48	13	B1153215000	10	7	B1411804B00	20	29~32
29145000	62	17-18	B1154215000	10	8	B1411804C00	12	40~43

NUMERICAL INDEX OF PARTS

PART NO	PAGE	REF NO.	PART NO	PAGE	REF NO.	PART NO	PAGE	REF NO.
B1411804C00	20	29~32	B1634210000	18	65	B1818215P00	68	23
B1411804D00	12	40~43	B1641215000	18	57	B1819280000	20	21
B1411804D00	20	80	B1642215000	18	58	B1820215PA0A	68	13
B1411804D00	22	80	B1644215000	18	28·59	B1820280000	20	22
B1414232000	12	26	B1645215000	18	60	B1821280000	20	23
B1419026000	40	3	B1649161000	30	53	B1822215P00	68	14
B1502215000	8	15	B1802210000	20	14	B1823280000	20	24
B1506352000	64	16	B18042800A0	20	19	B18282050A0	20	13·86·97
B1510227000	16	30	B1805205000	20	9·82·96	B18282050AA	24	13·86·97
B151902600G	32	44	B180520500B	24	9·82·96	B18282100A0	22	13·86·97
B1601220000	16	1	B1805210A00	22	9·82·96	B1828215PA0	68	24
B160122000B	66	1·13	B1805215P00	68	74	B1831215P00	68	19
B160122000C	66	2	B1805215P00	70	74	B1831220000	20	6
B160122000D	66	3	B1805980000	20	15	B1832220000	20	7
B160122000E	66	4	B1811215PAA	68	7~11	B1840215P00	68	27
B160122000F	66	5	B1811215PAB	68	7~11	B1841215P00	68	28
B160122000G	18	51	B1811215PAC	68	7~11	B1842215P00	68	33
B160122000G	66	1·13	B1811215PAY	68	7~11	B1843215P00	68	34
B1602220000	16	2	B1811215PAZ	68	7~11	B19012100A0	12	32·33
B1603220000	16	3	B18112200AA	20	1·87~ 90	B19012100B0	14	29·66
B1604220000	16	4	B18112200AB	22	1·87~ 90	B19012800A0	12	32·33
B1605220000	16	5	B18112200AC	22	1·87~ 90	B19012800B0	12	29·66
B1606220000	16	6	B18112200AY	22	1·87~ 90	B1903210000	14	34·69
B1608220000	16	7	B18112200AZ	22	1·87~ 90	B1903280000	12	34·69
B1609220000	16	8	B18122005000	20	10	B1903552000	12	35
B1610220000	16	9	B1812210000	22	83	B1904280000	12	46
B1611220000	16	10	B1812215P00	68	21	B1905541A00	12	36~39
B1611224000	18	52	B1813980000	20	16	B1905541B00	12	36~39
B1612215000	18	53	B1814215000	20	17	B1905541C00	12	36~39
B1612220000	16	11	B1814215P00	68	12	B1905541D00	12	36~39
B1613220000	16	12	B1815210000	22	84	B2101220000	26	31
B1614220000	16	13	B1815215P00	68	26	B21012200A0	26	16
B1615220000	16	14	B1815215PA0	68	25	B2102205000	26	20
B1615224000	18	54	B1815980000	20	18	B2103220000	26	32
B1616220000	16	15	B1816280000	36	54	B2104220000	26	17
B1620224000	16	16	B1816280000	38	54	B2106220000	26	18
B1621224000	16	17	B18172050A0	20	11	B2107210000	26	19
B16222240A0	16	18	B18172100AB	20	3	B2301210000	28	7
B1625220000	36	4	B1817215PA0	68	22	B23012100A0	28	6
B1625224000	16	23	B1818205000	20	12	B23022050AA	26	1
B1626215000	18	55	B1818205A0B	20	4	B2302210000	28	8
B1626220000	36	10	B1818210000	22	85	B2302280000	26	4
B1627220000	16	20				B2303280000	26	34
B1628220000	16	21				B23042200A0	28	1
B1629224000	18	56				B2305210000	28	5

NUMERICAL INDEX OF PARTS

PART NO	PAGE	REF NO.	PART NO	PAGE	REF NO.	PART NO	PAGE	REF NO.
B2306220000	28	2	B242328000A	22	67~ 69·91	B2502220000	32	4
B2307220000	28	3				B2503220000	32	5
B2308220000	28	4	B242328000B	22	67~ 69·91	B2504215000	32	21
B2310220000	28	21				B2505220000A	32	22
B2311220000	28	22	B242328000C	22	67~ 69·91	B2506215000	32	23
B2312210A00	12	6·54	B242328000C	70	54~58	B2507220000	32	6
B2312220000	14	6·54				B2508215000	32	7
B2313280000	26	3	B242328000D	22	67~ 69·91	B2509229000	32	24
B2401205000	14	56	B242328000D	70	81~83	B2509372000A	36	9
B2401215P00	70	66	B242328000E	70	54~58	B2510215000	34	1
B2402220000	28	20	B242328000F	70	81~83	B2511215000	34	2
B2403210000	28	23	B242328000G	70	81~83	B2512215000	32	8
B2404220000	28	28	B2424210000	22	77·95	B2513215000	36	31
B2405210000	28	30	B2424210A00	24	77·95	B2513220A00	32	25
B2406210000	28	31	B2424215P00	68	46	B2515220000	32	26
B2407210000	28	32	B2425215000	22	76	B2517215000	34	7
B2408210000	28	44	B24252150A0	22	55~57	B2519215000	32	9
B2409205000	30	50	B24252150AB	22	55~57	B2520215000	32	10
B2409210000	28	42	B24252150AC	22	55~57	B2520215A00	32	11
B2410220000	28	41	B2425215P00	68	43	B2521215000	32	12
B24102200A0	28	40	B2425215PA0	68	41·42	B2522215000	32	2
B2411210000	28	33	B2425215PAB	68	41·42	B25242150A0	34	3
B2412220000	28	18	B242621000A	22	58~60	B2526215000	34	8
B2413215P00	68	36	B242621000A	66	15~20	B2526220000	32	40
B2413220000	28	29	B242621000B	22	58~60	B2527210000	32	13
B2414210000	28	45	B242621000B	66	11·12	B2529215000	34	12
B2414215PA0	70	50	B242621000C	66	15~20	B2529215A00	34	13
B2414280000	22	65	B242621000D	66	15~20	B2529232000	10	6
B2415210000	28	46	B242621000E	66	15~20	B2532220000	34	4
B2415215PA0	70	49	B242621000F	22	58~60	B2533220000	34	5
B2415280000	22	64·92	B242621000F	66	15~20	B2535210000	64	25
B2416210000	22	64·92	B242621000G	64	23	B2539215000	32	19
B2416280000	22	63	B242621000G	66	11·12	B2540205B00	32	41
B2416280000	70	64	B242621000H	66	15~20	B2550215000	36	3
B2417210000	22	74·93	B2426215P0A	68	44·45	B25502150A0	36	2
B2417210000	70	59	B2426215P0B	68	44·45	B2553215000	36	45
B2417280000	22	66	B2426215P0C	70	78~80	B2556215000	36	1
B2417280000	70	65	B2426215P0D	70	78~80	B2556215B00	66	21·23
B2418215P00	70	48	B2426215P0E	70	78~80	B2556215C00	66	22
B2418280000	22	62	B2430215PA0	68	37	B2556215D00	66	21·23
B2419280000	22	78	B2431215000	28	27	B2557215000	64	2
B2420280000	22	79	B2431215P00	70	67	B255728000E	32	36
B24212050A0	22	61·94	B2432215P00	70	51	B2558220000	36	46
B2421210AA0	22	61·94	B2501215000	32	3	B2559220000	64	1
B2421215PA0	68	47	B25012150A0	32	1	B2564215000	64	7

NUMERICAL INDEX OF PARTS

PART NO	PAGE	REF NO.	PART NO	PAGE	REF NO.	PART NO	PAGE	REF NO.
B2564215000	66	6	B3126012000	2	76	B3523220000	40	8
B2567215000	36	26	B3126012000	4	76	B3524215000	42	59
B25672150A0	36	25	B3126012000	26	9	B3538112000	40	36
B2570215000	36	20	B3129053000	26	10-14	B4005215000	44	7
B2571215000	36	21	B3132552000	26	11	B4007215000	32	28
B2573220000	36	6	B32012100A0	2	9	B4008215000	44	1
B2574220000	36	7	B3203210000	2	10	B4009215000	44	2
B2576220000	36	8	B3204210000	2	11	B4012215000	44	4
B2587220000	66	7	B3205210000	2	12	B41102150A0A	44	21
B2588220000	66	8	B3206210000	2	13	B41102150B0	44	19
B2591220000	64	4	B3207210000	2	14	B41302150A0A	44	22
B259522000A	66	9-14	B3208210000	2	15	B41502150A0	44	20
B259522000B	66	10	B3208280000	2	26	B471122000C	36	13
B259522000C	66	9-14	B3209210000	2	16	B471122000D	36	14
B2604215000	38	50	B3210210000	2	17	B471122000D	46	28
B26042150A0	38	49	B3211210000	2	18	B471122000G	36	15
B2605215000	38	53	B3212210000	2	19	B471122000H	36	16
B26052150A0	38	52	B3212761000	2	20	B471122000H	46	27
B2611215000	36	29	B3213205000	12	44	B47122150A0	46	26
B26112150A0	36	28	B322877100B	18	61	B47152150A0	46	2
B2613215000	36	23	B3305704000A	52	7	B47202150B0	66	31
B26132150A0	36	22	B3311012000	52	12	B8101215000	48	18
B2620215000	66	27-28	B3311704000	52	9	B81012150A0	48	6
B2621215000	66	27-28	B3317704000	52	14	B8101215A00	48	19
B2622215000	66	24	B3319704L00	52	6	B8102215000	48	7
B2623215000	66	25-26	B3320704L00A	52	10	B8102215A00	48	17
B2626215000	66	25-26	B3501210000	40	31	B8104215000	48	8
B26302150A0	66	29	B3502220000	40	1	B8105215000	48	9
B2630215AA0	66	30	B3504220000	40	10	B8107215000	48	20
B2702210000	26	35	B3504280000	42	55	B8107215A00	48	21
B2703210000	44	30	B3505210000	40	11	B8108215000	48	22
B2714761000	28	10	B3505280000	42	54	B8108220000	48	10
B2727761000	28	11	B3506210000	40	15	B8109220000	48	11
B3107804000	26	6	B3506215PA0	68	32	B8110215000	50	51
B3112761000	26	5-13	B3507210000	40	32	B81102150A0	50	50
B3114232000	26	10-14	B3507220000	40	20	B8111220000	50	52
B3114771000	2	45	B3507280000	40	6	B8112220000	50	53
B3118771000	4	42-80	B3508220000	40	21	B8115215000	48	39
B3120125000	26	8	B3508280000	40	35	B8160229000	48	1
B3120372000	64	9	B3509220000	40	2	B8161220000	48	2
B3121372000	64	15	B3509280000	40	16	B8162220000	48	3
B3123352000	2	78	B3518210000	40	33	B8163220000	48	4
B3123352000	4	78	B3518280000	40	17	B8168215000	48	34
B3125012000	2	79	B3520220000	40	22	B8201215000	50	56
B3125012000	4	79	B3522220000	40	30	B8202205000	50	54

NUMERICAL INDEX OF PARTS

PART NO	PAGE	REF NO.	PART NO	PAGE	REF NO.	PART NO	PAGE	REF NO.
B8205215000	50	62	E8523304000	62	7	HX003840000	54	15
B8210012000	50	63	E9608603000	44	34	HX004070000	60	42
B821021000B	50	65	E9611601000	62	6	HX004100000	54	20
B821121000B	50	66	E9628252000	58	23	HX004150000	60	40
B8601WP10A0	64	26	E9628252000	62	4	M1001518000	54	4
B9101215000	64	30	EA9500B0100	46	10	M1001521000	58	26
B9101490000	70	76	EA9502B0100	44	28	M10025130AA	54	8
B9107761000	70	75	G5032164000	48	12	M1003518000	58	14
B9121012000	48	33	G5151171000	48	5	M1005518000	58	15
BP300000000	40	58	G5430116000	46	5	M1010510000	54	21
BP300000000	42	58	G8124270000	46	3	M1011512000	54	17
BP500000000	40	29	GBR01713000	58	10	M1075518000	56	22
BP600000000	40	7	HA001410000	56	7	M1076510000	56	12
BT0400251EB	16	25	HC010802210	58	5	M1077510000	56	13
BT0400251EB	36	38	HC018801030	58	9	M1078510000	56	14
BT0400251EB	46	24	HC018803320	58	7	M1081518000	56	8
BT0600401EB	46	21	HC028801020	58	6	M1082518000	56	19
CM300100001	54	28	HC034205620	58	8	M300451300G	56	9
CM300100101	54	27	HD000570000	44	8	M30045180A0	62	15
CM300200002	6	95	HF001400700	62	5	M3010110B00	62	3
CM3002000B2	4	91	HG003270000	58	18	M3010518000	56	10
CM300200301	4	92-93	HG003280000	56	4	M3012518000	56	20
CM3002003A1	4	92-93	HG003290000	56	6	M3012518000	62	16
CM500100001	50	70	HK018800020	26	30	M40071100AB	12	18
CQ202000000	40	24	HK034610040	46	9	M8501521AA0A	54	1~3·29
CQ252200000	40	57	HK034640000	46	12	M8501521BA0A	54	1~3·29
CQ252200000	42	57	HK045550060	60	26	M8501521EA0A	54	1~3·29
CS079101FSH	22	52	HL014530004	58	2	M8501521FA0A	54	1~3·29
CS080081FSH	22	53	HL014530005	58	3	M8502521AA0	56	1
CS111101CSH	16	47	HM000630010	54	12	M8502521BA0	56	2
CS1470710SH	14	58	HP000200200	26	29	M85115120A0	60	4·5
CS147121ASH	14	64	HR028405030	54	11	M8513518AA0	60	19~21
CS147121ESH	12	15	HT002460000	58	17	M8513518BA0	60	19~21
D1455055B00	16	32	HT002570000	58	28	M8513518CA0	60	19~21
D1456055B00	16	33	HX00093000C	44	33	M85145120A0	60	23
D1457055B00	16	34	HX00114000B	54	19	M85315180A0	54	26
D1805MLBH00	20	5	HX00123000A	44	23	M85325180A0	54	10
D2112555B00	40	37	HX001530000	56	5	M85435120A0	60	16
D2428555B00A	36	5	HX002330000	38	55	M85465120A0	60	6
D2430555B00	2	21	HX002330000	46	25	M85475120A0	60	7
D2430555B00	28	34	HX00269000A	60	37	M85515120A0	60	11
D2502232D00	50	48	HX002920000	44	32	M85525120A0	60	18
D3112L4BB00	26	5-13	HX002920000	60	12	M85545120A0	60	3
D6043555B00	28	19	HX00339000C	58	24	M85555120A0	60	15
D8204555D00	48	35	HX00364000E	36	44	M8561510CA0	60	25

NUMERICAL INDEX OF PARTS

PART NO	PAGE	REF NO.	PART NO	PAGE	REF NO.	PART NO	PAGE	REF NO.
M85715180A0	56	11	MTJVM005500	62	21~23	PJ305065202	46	8
M85785130A0	54	13	MTJVM005600	62	21~23	PJ308040002	46	15
M85905130AA	62	1	MTJVM005700	62	13·14	PJ309005203	46	4
M85995120A0	62	2	MTJVM005800	62	13·14	PJ309520001	64	5
M8601518AB0	58	1	MTSP0080000	62	10	PS0150042K0	8	21
M8601518AB0	60	1	MTSP0095000	62	9	PS0150065KP	2	23
M86025290B0A	58	25	NM6030001SC	56	17	PS0150065KP	36	27
M86025290B0A	60	8	NM6030001SC	58	12	PS0200062KH	64	17
M86035210A0	58	13·31	NM6040001SB	54	24	PS0250162KH	22	54
M86035210A0	60	13·44	NM6040003SC	26	28	PS0800302KH	2	35
M8603521BA0	58	13·31	NM6040003SC	28	24	PV0351130A0	46	16
M8603521BA0	60	13·44	NM6050001SE	52	20	PX950009000	46	11
M86045180A0	58	4·30	NM6050001SP	32	32	RE0300000K0	36	18
M86045180A0	60	17·45	NM6060001SC	54	25	RE0300000K0	68	15
M86045210A0	58	4·30	NM6060002SE	48	28	RE0600000K0	32	34
M86045210A0	60	17·45	NM6080001SC	48	38	RE0700000K0	48	49
M8670510AA0	56	3	NM6100001SC	10	28	RE0700000K0	50	49
M8901521000	62	8	NM6550815SF	62	12	RO048190100	16	35
M890152100P	70	77	NS6090310SP	4	64	SB106000400	32	20
M90015210A0	56	21	NS6110310SP	2	29	SB108000400	10	30
M90025210A0	60	31	NS6110310SP	32	18	SB108000500	32	29
M90045210A0	60	27	NS6110310SP	64	20	SB109530100	34	9
M90055210A0	60	28	NS6110310SP	68	39	SB712000100	36	19
M90065210A0	60	10	NS6110420SP	28	35	SD0380551SL	4	86
M90075210A0	60	30	NS6110530SP	2	27	SD0500803TP	28	37
M90085210A0	60	29	NS6110530SP	16	37	SD0530221SP	28	16
M90095210A0	60	32	NS6120310SP	64	21	SD0550501SP	18	62
M90105210A0	60	33	NS6120630SP	28	36	SD0600101TP	22	74·93
M90115210A0	60	34	NS6150310SP	4	65	SD0600352SP	26	23
M90125210A0	60	35	NS6150330SD	38	59	SD0601021SP	64	12
M90425180A0	60	36·46	NS6150430SP	16	38	SD0601171SP	32	27
M9042518AA0	60	36·46	NS6150430SP	30	52	SD0640321SP	16	44
M9609171000	58	20	NS6660430SP	22	51	SD0640321SP	26	25
M964051000A	60	38	NS6660430SP	68	35	SD0640321SP	28	17
MAO11532000	50	64	PA1602509A0	36	11	SD0640321TP	16	45
MAO11532000	52	21	PA1603003A0	16	22	SD0640326TP	68	40
MAXAP30EX00	64	24	PB000010000	64	31	SD0650305TP	28	38
MC200501000	14	59~62	PC010508000	16	26	SD0720321TP	16	63
MC372001100	14	59~62	PC012401000	46	17	SD0720321TP	18	63
MC372001600	14	5·68	PF0552040B0	46	6	SD0791503SP	10	31
MDP170B1800	14	59~62	PF070501000	46	29	SD0801021TP	22	48
MDP170B2300	12	5·68	PJ030520001	46	7	SD1100301TP	28	47
MDP500B1400	14	59~62	PJ032052503	46	14	SK3382001SE	50	60
MTJMS00000S	50	57	PJ046052503	36	12	SK3382001SE	60	39
MTJVM005400	62	21~23	PJ304065101	46	13	SK3413200SC	46	20

NUMERICAL INDEX OF PARTS

PART NO	PAGE	REF NO.	PART NO	PAGE	REF NO.	PART NO	PAGE	REF NO.
SK3452500SC	48	31	SS1110640TP	70	52	SS6621220SP	26	22
SK3552500SC	50	67	SS1110840SP	8	22	SS6681712TP	12	14
SL4030681SC	56	15	SS1110840SP	10	34	SS7060310SP	70	60
SL4030691SC	54	16	SS2110920TP	30	49	SS7080510TP	14	51
SL4030881SC	58	11	SS3090610SP	4	50	SS7090410SP	22	72
SL4030891SC	58	27	SS4090715SP	4	51	SS7090620TP	28	15
SL4030891SC	60	9	SS4110515SP	4	52	SS7090850SP	44	31
SL4031081SC	58	19	SS4110715SP	10	19	SS7090910SP	4	87
SL4031081SF	44	9	SS4110715SP	64	18	SS7090910SP	64	27
SL4031281SC	58	29	SS4110815SP	4	54	SS7091110SP	16	40
SL4031481SC	50	55	SS4110815SP	44	29	SS7110410SP	48	46
SL4031481SC	58	21	SS4111015SP	4	56	SS7110510SP	20	43
SL4040691SC	50	68	SS4111015SP	10	38	SS7110510SP	36	47
SL4040881SF	60	14	SS4120615SP	10	15	SS7110510SP	44	11
SL4041091SC	54	22	SS4150715SP	4	57	SS7110710SP	10	25
SL4041091SC	60	43	SS6060220SP	68	29	SS7110710SP	20	44
SL4051091SC	60	22	SS6060410TP	20	38	SS7110710SP	36	35
SL9082093SE	48	61	SS6090420SP	68	31	SS7110710SP	40	50
SL9082093SE	50	61	SS6090440SP	42	56	SS7110710SP	42	50
SM1044050SM	54	14	SS6090620SP	4	82	SS7110740TP	22	73
SM3065052TC	54	5	SS6090630TP	26	21	SS7110740TP	70	62
SM4030401SC	10	17	SS6090670TP	14	50	SS7110840SP	4	88
SM4040601SC	4	59	SS6092120SP	40	40	SS7110840SP	16	19
SM4051405SE	52	18	SS6110430TP	22	71	SS7110840SP	20	45
SM6040552TP	32	30	SS6110430TP	70	61	SS7110840SP	26	33
SM6040802TP	70	68	SS6110510SP	48	47	SS7110840SP	28	26
SM6041402TP	32	17	SS6110610TP	8	11	SS7110840SP	42	60
SM6050802TP	32	37	SS6110610TP	32	31	SS7110840SP	44	14
SM6051402TP	36	33	SS6111052TP	10	12	SS7110840SP	70	71
SM6051602TP	32	39	SS6111140SP	40	41	SS7110910TP	32	16
SM6052002TP	32	42	SS6111210SP	12	21	SS7111110TP	20	46
SM6057052TN	32	35	SS6120940SP	32	38	SS7111110TP	32	14
SM6060802TP	36	39	SS6120940SP	44	25	SS7111410TP	16	41
SM6107002TP	10	20	SS6121210SP	28	43	SS7121610SP	34	19
SM7030450SC	10	16	SS6121212TP	20	39	SS7150910TP	10	36
SM8050602TP	36	34	SS6121212TP	68	18	SS7150910TP	38	58
SM8060602TP	34	10	SS6121220TP	28	9	SS7151120SP	14	49
SM9051450SC	46	19	SS6122510SP	12	12	SS7151210SP	34	14
SM9061403SC	48	30	SS6150710SP	16	39	SS7661540SP	16	42
SM9086503SM	48	36	SS6151220SP	20	41	SS8090410TP	4	68
SM9122503SE	48	14	SS6151412TP	12	13	SS8090610SP	26	12
SS1060210TP	22	70	SS6151712TP	28	14	SS8110422SP	30	54
SS1060210TP	70	53	SS6151712TP	44	10	SS8110422TP	12	4
SS1090510SP	64	3	SS6151812TP	26	36	SS8110520TP	2	24
SS1110640TP	20	2	SS6153040SP	30	51	SS8110560SP	4	67

NUMERICAL INDEX OF PARTS

PART NO	PAGE	REF NO.	PART NO	PAGE	REF NO.
SS8111010TP	12	3	WP0501016SD	28	39
SS8111610SP	12	45	WP0501016SD	34	17
SS8120410SP	36	17	WP0501016SD	36	36
SS8120740SP	36	32	WP0501016SD	44	18
SS8150822TP	10	18	WP0520656SA	8	23
SS8150822TP	20	47	WP0531000SC	46	18
SS8150822TP	34	15	WP0531000SD	22	49
SS8150822TP	38	56	WP0561616SC	26	27
SS8151550SP	12	20	WP0561616SC	50	69
SS8660610TP	14	53	WP0611626SP	36	41
SS8660610TP	16	43	WP0612066SP	16	36
SS8661012TP	14	57	WP0621016SD	8	14
SS9090833TP	14	55	WP0621016SD	10	37
SS9110920CP	8	17	WP0621016SD	34	18
SS9111010SP	32	15	WP0621016SD	42	51
SS9111020TP	2	22	WP0641600SC	32	43
SS9121010TP	8	19	WP0641600SC	70	72
SS9151120CP	8	16	WP0641601SC	48	29
SS9151120CP	38	57	WP0651001SC	54	7
SS9151120CP	48	32	WP0651056SD	36	61
SS9151160CP	8	12	WP0651056SD	38	61
SS9151440CP	34	16	WP0651056SH	2	25
SS9151630CP	36	40	WP0740516SP	64	14
SS9661230CP	14	52	WP0820816SD	10	32
TA0750704R0	4	89	WP0820816SD	48	43
TA0850604R0	4	71	WP0841600SE	48	41
TA1050504R0	4	72	WP0841601SC	48	37
TA1250406R0	4	73	WP0951016SP	34	11
TA1470704R0	4	90	WP0952616SD	22	50
TA2100904R0	4	74	WP1052001SC	10	26
WP0320500SC	56	18	WP1302501SC	48	15
WP0330501SB	10	29	WP1612616SE	52	15
WP0371016SD	26	26	WP1702616SE	48	27
WP0430800SC	18	64	WS0410002KN	54	23
WP0430801SC	4	60	WS0610002KN	54	6
WP0450000SD	4	62	WS0631510KP	36	43
WP0450000SD	42	52	WS1002560KR	62	11
WP0450000SD	70	69	WS1020002KN	10	27
WP0450801SD	10	24	WS1253010KN	48	16
WP0450801SD	12	22			
WP0450801SD	38	48			
WP0450801SD	44	17			
WP0450801SD	64	11			
WP0450846SP	22	75			
WP0450846SP	70	63			