

MODEL : LH-3168-7/LH-3168

List No : 0944-10

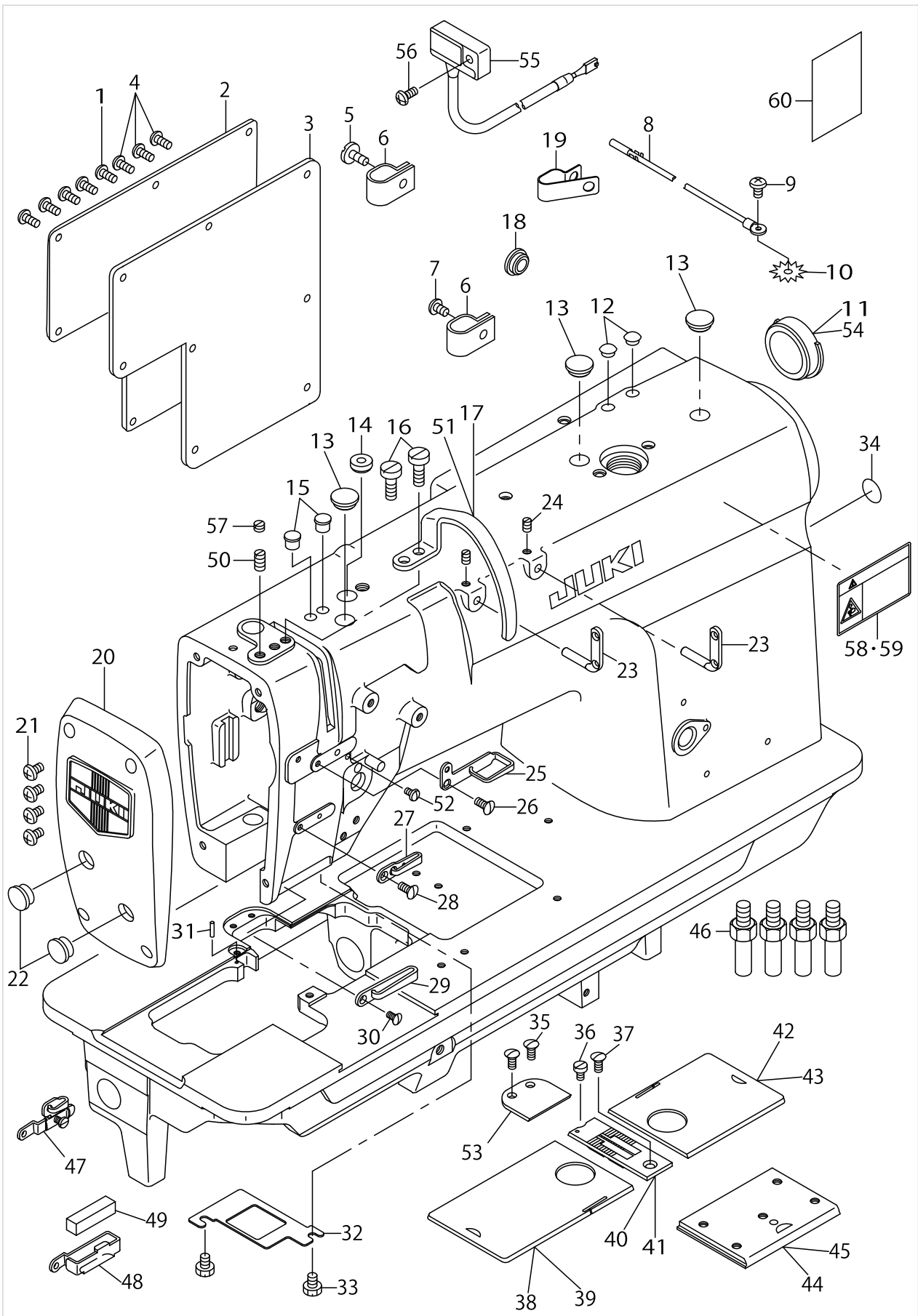
PARTS LIST

Published:09/22/2017

CONTENTS

FRAME & MISCELLANEOUS COVER COMPONENTS	1
MAIN SHAFT & THREAD TAKE-UP COMPONENTS	5
NEEDLE BAR COMPONENTS	7
TENSION POST COMPONENTS	11
HOOK DRIVING SHAFT COMPONENTS	15
HOOK COMPONENTS.....	17
FEED MECHANISM COMPONENTS.....	21
PRESSER BAR & TENSION RELEASE COMPONENTS.....	25
THREAD TRIMMER MECHANISM COMPONENTS (FOR LH-3168-7).....	29
AUTOMATIC REVERSE FEED MECHANISM COMPONENTS (FOR LH-3168-7).....	33
WIPER MECHANISM COMPONENTS (FOR LH-3168-7).....	35
LUBRICATION COMPONENTS	37
BELT COVER & BOBBIN WINDER COMPONENTS	41
OIL RESERVOIR & KNEE LIFTER COMPONENTS.....	43
THREAD STAND COMPONENTS (1) (FOR USE IN JAPAN).....	45
THREAD STAND COMPONENTS (2) (EXCEPT USE IN JAPAN)	47
TABLE OF EXCHANGING GAUGE PARTS (1).....	49
TABLE OF EXCHANGING GAUGE PARTS (2).....	53
TABLE OF EXCHANGING GAUGE PARTS (3).....	57
LIST FOR INFORMATION OF CHANGE.....	59
HOW TO MAKE USE OF THIS PARTS LIST	60

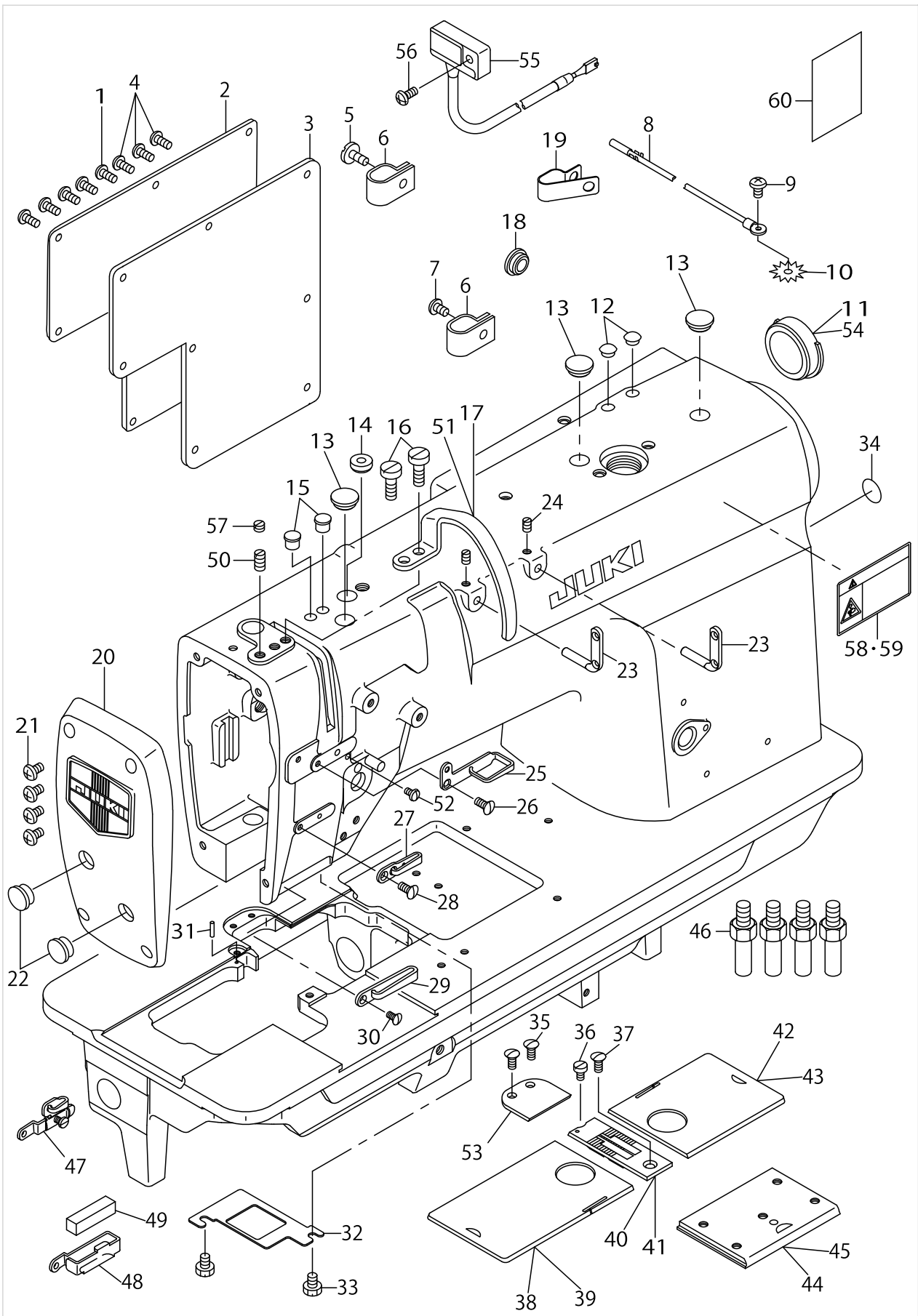
FRAME & MISCELLANEOUS COVER COMPONENTS



FRAME & MISCELLANEOUS COVER COMPONENTS

No.	Parts No.	Parts name	Remarks	Level	Cons	Qty
1	SS4110815SP	SCREW 11/64-40 L=8				5
2	10602902	SLIDE PLATE				1
3	10101004	GASKET				1
4	SS4110815SP	SCREW 11/64-40 L=8	FOR LH-3168			3
5	SS6111140SP	SCREW 11/64-40 L=11	FOR LH-3168-7			3
6	D2112555B00	CORD HOLDER, LARGE	FOR LH-3168-7			2
7	SS4120615SP	SCREW 3/16-28 L=6	FOR LH-3168-7			1
8	22951552	GROUND WIRE ASM.	FOR LH-3168-7			1
9	SS4120615SP	SCREW 3/16-28 L=6	FOR LH-3168-7			1
10	WT0530002KS	TOOTHED WASHER D=5.3	FOR LH-3168-7			1
11	22619100	CAP	FOR LH-3168			1
12	TA0750404R0	PLUG D=7.5 L=3.5	FOR LH-3168			2
13	TA1250406R0	RUBBER PLUG D=12.5 L=4				3
14	22620900	CAP				1
15	TA0750704R0	RUBBER PLUG				2
16	SS6151780SP	SCREW 15/64-28 L=17.0				2
17	22602007	THREAD TAKE-UP LEVER OIL GUARD	EXCEPT USE IN JAPAN & JE			1
18	TA1250406R0	RUBBER PLUG D=12.5 L=4				1
19	D2112555B00	CORD HOLDER, LARGE	FOR LH-3168-7-WB, -WO, -OB			2
20	22680250	FACE PLATE ASM.				1
21	SS4121015SP	SCREW 3/16-28 L=10				4
22	TA1250406R0	RUBBER PLUG D=12.5 L=4				2
23	22920706	TWO EYELET				2
24	SS8120740SP	SCREW 3/16-28 L=7				2
25	22603013	THREAD GUIDE (UPPER)				1
26	SS2090710TP	SCREW 9/64-40 L=7.2				1
27	22603112	THREAD GUIDE				1
28	SS2090710TP	SCREW 9/64-40 L=7.2				1
29	22603203	THREAD GUIDE(LOWER)	TYPE S,G			1
30	SS2090710TP	SCREW 9/64-40 L=7.2				1
31	B1104051000	THROAT PLATE PIN				1
32	22680003	PLATE				1
33	SS9110460CP	SCREW 11/64-40 L=4				2
34	22901805	GROUND MARK				1
35	SS2090710TP	SCREW 9/64-40 L=7.2				2
36	SS6090630SP	SCREW 9/64-40 L=6				1
37	SS2110920TP	SCREW 11/64-40 L=8.5				1
38	22601058	BED SLIDE LEFT, ASM., A	EXCHANGING GAUGE PARTS F-OR LH-3168 (SEE P.29~33)			1
39	22650857	BED SLIDE LEFT, ASM., A	EXCHANGING GAUGE PARTS F-OR LH- 3168-7(SEE P.29~33)			1
40	22625503	THROAT PLATE 1/4	EXCHANGING GAUGE PARTS F-OR LH-3168 (SEE P.29~33)			1
41	22660609	THROAT PLATE 1/4	EXCHANGING GAUGE PARTS F-OR LH- 3168-7(SEE P.29~33)			1
42	22600555	BED SLIDE RIGHT, ASM., A	EXCHANGING GAUGE PARTS F-OR LH-3168 (SEE P.29~33)			1
43	22650352	BED SLIDE RIGHT, ASM., A	EXCHANGING GAUGE PARTS F-OR LH- 3168-7(SEE P.29~33)			1
44	22650055	BED SLIDE ASM.				1

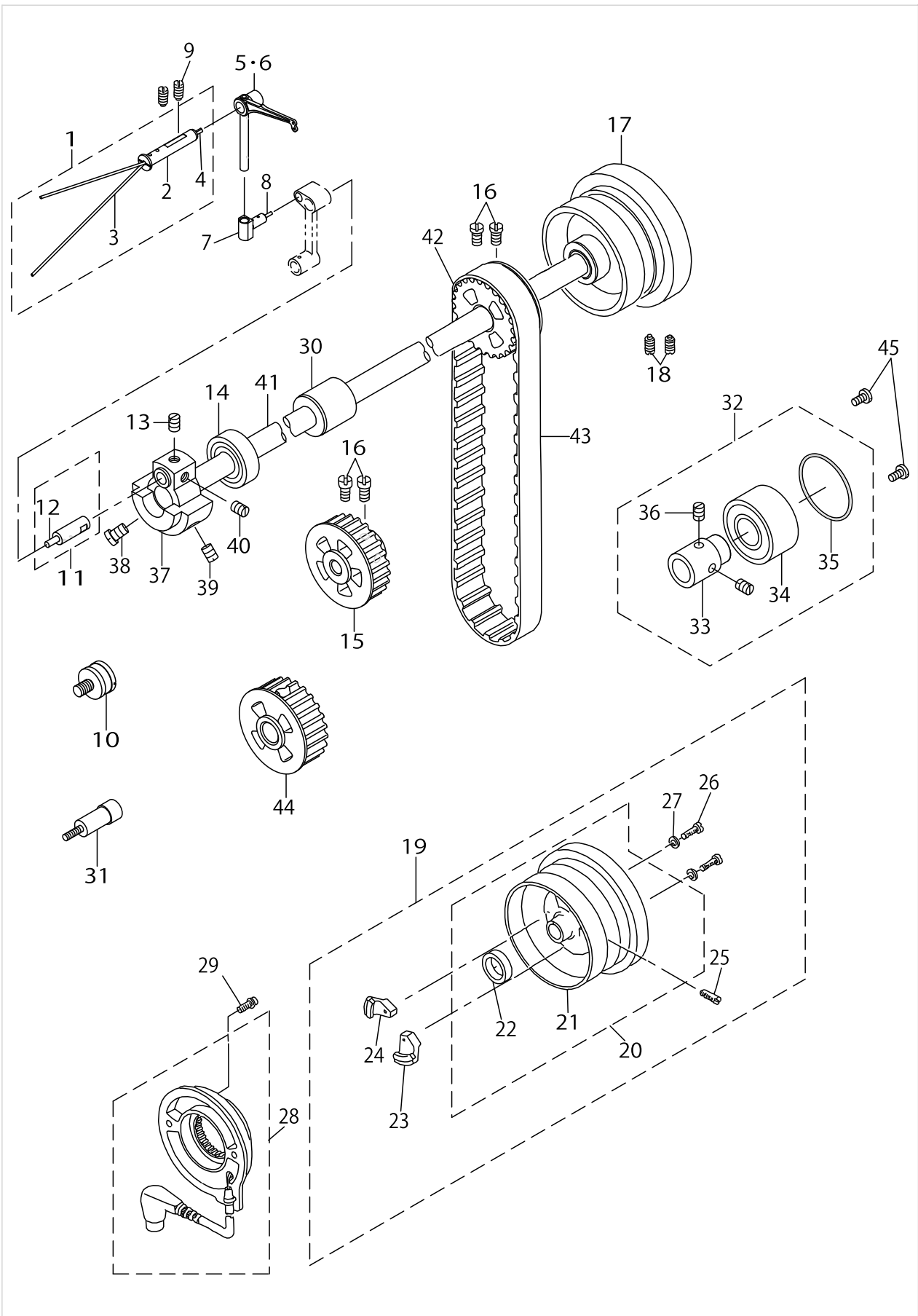
FRAME & MISCELLANEOUS COVER COMPONENTS



FRAME & MISCELLANEOUS COVER COMPONENTS

No.	Parts No.	Parts name	Remarks	Level	Cons	Qty
45	22650055	BED SLIDE ASM.	FOR LH-3168-7			1
46	22602601	BED SCREW STUD				4
47	22651459	THREAD GUIDE ASM., E	OPTIONAL PARTS			1
48	22603609	THREAD GUIDE	TYPE A			1
49	22603708	FELT	TYPE A			1
50	SS8151150SP	SCREW 15/64-28 L=10.5				1
51	22818009	BALANCE COVER(FOR JE)	FOR JE,USE IN JAPAN			1
52	SS5090610SP	SCREW 9/64-40 L=6				1
53	22651202	AUXILIARY COVER				1
54	22657803	RUBBER PLUG	FOR LH-3168-7			1
55	M6043350AAA	RESISTANCE PACK ASM.,AA	FOR LH-3168-7			1
56	SS4111015SP	SCREW 11/64-40 L=10	FOR LH-3168-7			1
57	SS8150410TP	SCREW 15/64-28 L= 4.0				1
58	CM3002001A1	SAFETY LABEL.,3 (SMALL).	EXCEPT USE IN JAPAN & JE			1
59	CM300200101	SAFETY LABEL, 1(SMALL).	FOR USE IN JAPAN			1
60	40021415	INSTRUCTION MANUAL(SUPPLEMENT)	FOR CHINA			1

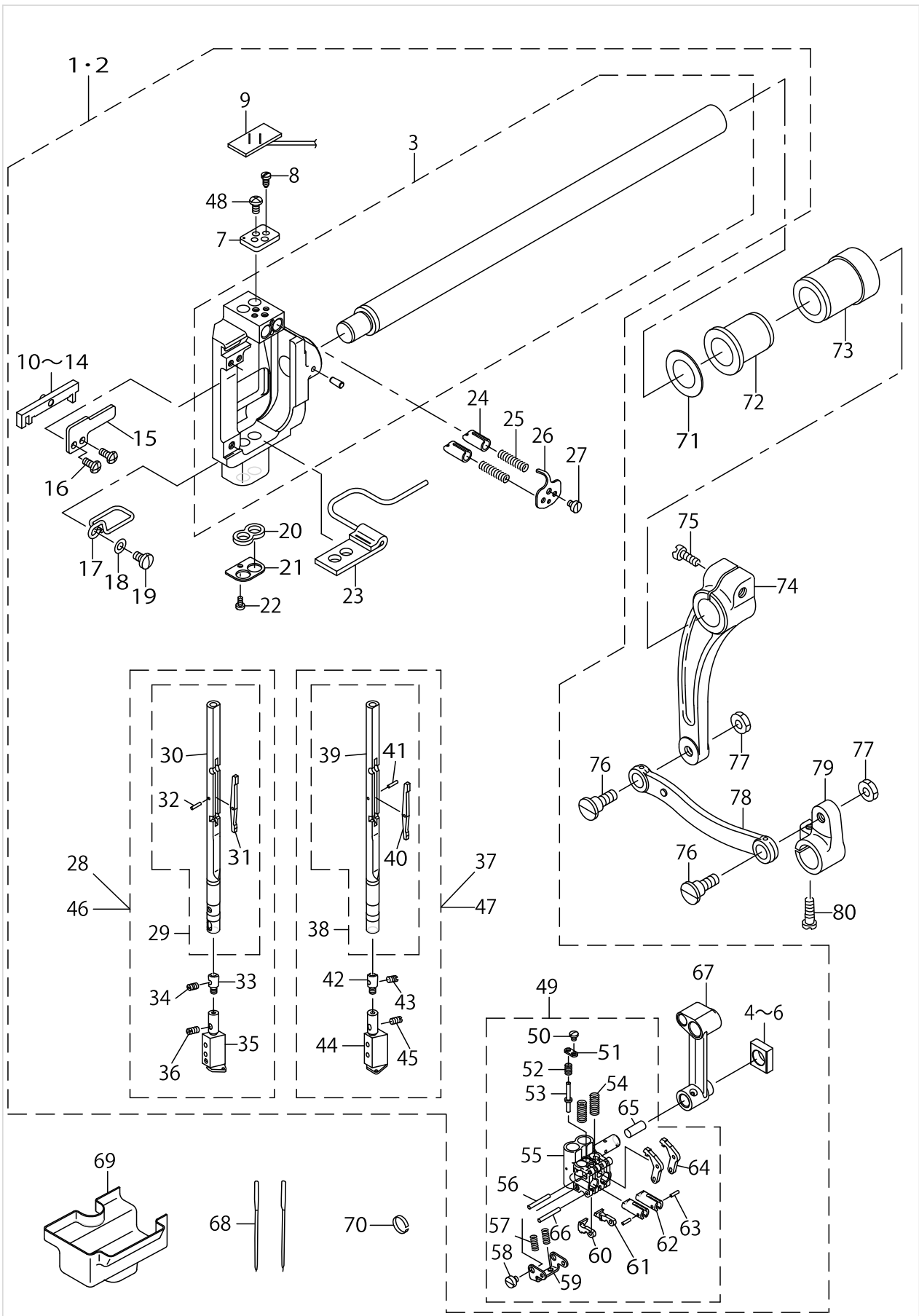
MAIN SHAFT & THREAD TAKE-UP COMPONENTS



MAIN SHAFT & THREAD TAKE-UP COMPONENTS

No.	Parts No.	Parts name	Remarks	Level	Cons	Qty
1	22605356	THREAD TAKE-UP LEVER PIN ASM.				1
2	22605307	THREAD TAKE-UP LEVER PIN		*		1
3	CQ202000000	OIL WICK		*		0.4
4	CQ252000000	OIL WICK		*		0.04
5	23203805	TAKE-UP LEVER B	FOR LH-3168			1
6	23203904	TAKE-UP LEVER C	FOR LH-3168-7			1
7	22605406	TAKE-UP LEVER THRUST PIN				1
8	CQ252000000	OIL WICK				0.03
9	SS8151150TP	SCREW 15/64-28 L=10.5				2
10	22622401	SYNCRO FRNGE	OPTIONAL PARTS			1
11	22680656	NEEDLE BAR CRANK PIN ASM.				1
12	CQ505000000	OIL WICK		*		0.1
13	SS8680540SP	SCREW 9/32-28 L= 4.5				1
14	B1202512000	MAIN SHAFT BUSHING, FRONT				1
15	22623201	SPROCKET WHEEL	FOR LH-3168			1
16	SS6661110SP	SCREW 1/4-40 L=11				4
17	22604508	HAND WHEEL	FOR LH-3168			1
18	SS8151550SP	SCREW 15/64-28 L=15	FOR LH-3168			2
19	22651566	HAND WHEEL ASM.	FOR LH-3168-7			1
20	22651558	HAND WHEEL		*		1
21	22651509	HAND WHEEL		*		1
22	M4002110000	GENERATOR ROTOR		*		1
23	M40071100AA	MAGNET FITTING BASE A ASM.		*		1
24	M40071100AB	MAGNET FITTING BASE B ASM.		*		1
25	SS8151550SP	SCREW 15/64-28 L=15		*		2
26	SS6111210SP	SCREW 11/64-40 L=12		*		2
27	WP0450801SD	WASHER 4.5X10X0.8		*		2
28	22937965	DYNAMO STATOR	FOR LH-3168-7			1
29	10604809	SCREW	FOR LH-3168-7			2
30	22603906	UPPER SHAFT INNER METAL				1
31	22622351	SENSOR SUPPORT SHAFT ASM.	OPTIONAL PARTS			1
32	22604656	THRUST COLLAR ASM.				1
33	22604607	THRUST COLLAR		*		1
34	SB120000100	BEARING D=20X47		*		1
35	RO437200200	RUBBER RING		*		1
36	SS8660530TP	SCREW 1/4-40 L= 4.5		*		2
37	22604409	COUNTERWEIGHT				1
38	SS7681750TP	SCREW 9/32-28 L=16.5				1
39	SS8681650TP	SCREW 9/32-28 L=16				1
40	SS8680810TP	SCREW 9/32-28 L=8.0				1
41	22604003	MAIN SHAFT				1
42	22604904	UPPER SPROCKET				1
43	22604300	TIMING BELT				1
44	22651608	SPROCKET WHEEL	FOR LH-3168-7			1
45	SS7120760SP	SCREW 3/16-28 L= 7.0				2

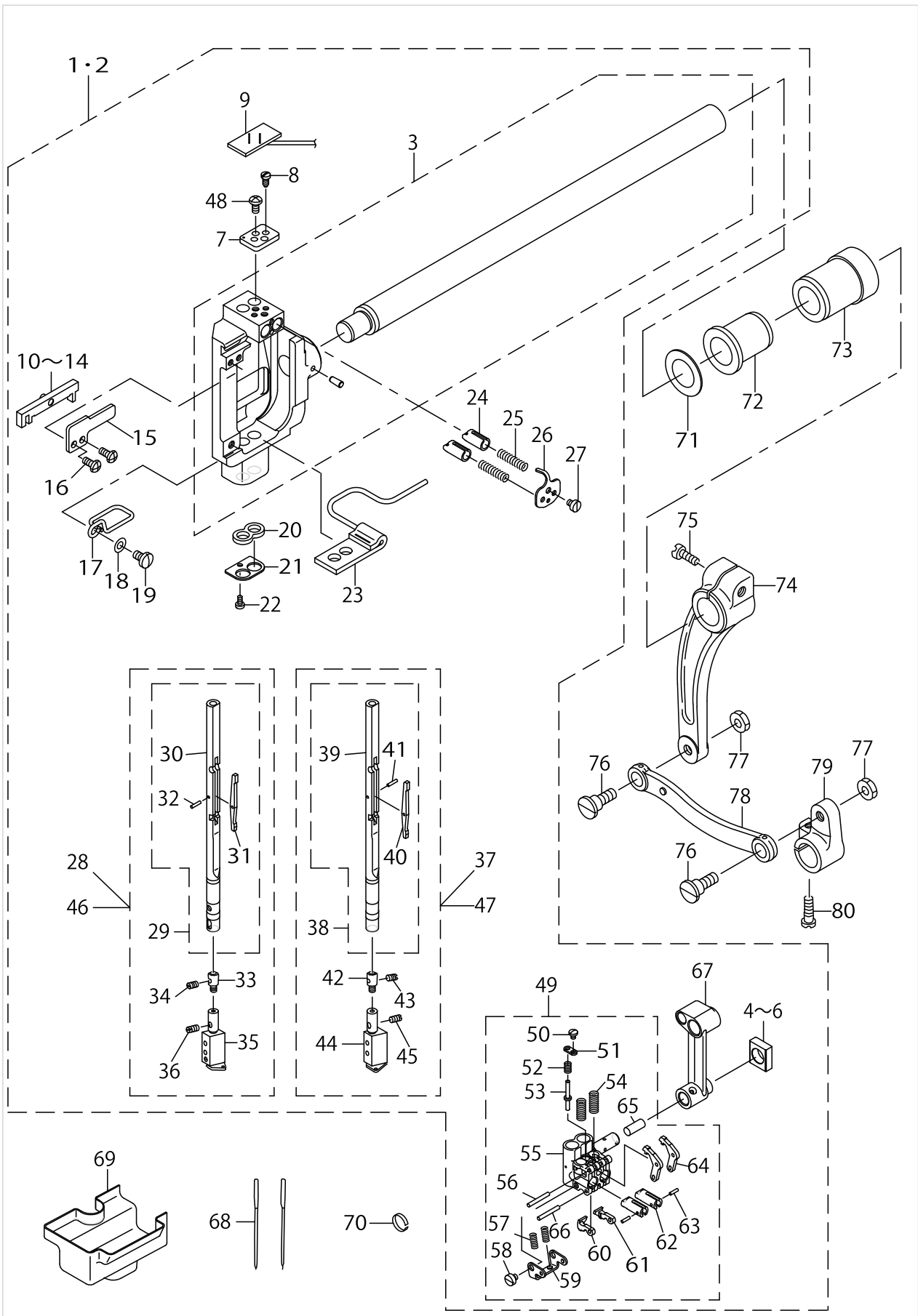
NEEDLE BAR COMPONENTS



NEEDLE BAR COMPONENTS

No.	Parts No.	Parts name	Remarks	Level	Cons	Qty
1	22682652	NEEDLE ROD ROCKING BASE ASM.	FOR LH-3168			1
2	22693451	NEEDLE ROD ROCKING BASE ASM.	FOR LH-3168-7			1
3	23204951	NEEDLE ROD ROCKING BASE ASM.		*		1
4	23204506	ROCKING ROD SQUARE BLOCK A	SELECTIVE PARTS	*		1
5	23204605	ROCKING ROD SQUARE BLOCK B	SELECTIVE PARTS	*		1
6	23204704	ROCKING ROD SQUARE BLOCK C	SELECTIVE PARTS	*		1
7	22682702	NEEDLE BAR SWIVEL STOPPER		*		1
8	22681712	STOPPER SCREW		*		2
9	22682850	FELT ASM.		*		1
10	22681951	SLIDER BLOCK ASM. A	SELECTIVE PARTS	*		1
11	22682058	SLIDER BLOCK ASM. B	SELECTIVE PARTS	*		1
12	22682157	SLIDE BLOCK	SELECTIVE PARTS	*		1
13	22682256	SLIDER BLOCK ASM. D	SELECTIVE PARTS	*		1
14	22682355	SLIDER BLOCK ASM. E	SELECTIVE PARTS	*		1
15	22681803	SLIDE BLOCK GUIDE PLATE		*		1
16	SS4090815SP	SCREW 9/64-40 L=8		*		2
17	22685903	FELT GUIDE		*		1
18	WP0450000SD	WASHER 4.5X8X0.5		*		1
19	SS7110710SP	SCREW 11/64-40 L=7		*		1
20	22686000	NEEDLE BAR OIL SEAL FELT, A		*		1
21	22685804	NEEDLE BAR OIL SEAL PLATE		*		1
22	SS6060510TP	SCREW 3/32-56 L=4.5		*		1
23	22686158	OIL SEAL FELT ASM., B		*		1
24	22681407	NEEDLE BAR STOPPER		*		2
25	22681506	SPRING		*		2
26	22681316	STOPPER SPRING COVER		*		1
27	SS6080410SP	SCREW 1/8-44 L=4		*		1
28	22693253	NEEDLE BAR UNIT, LEFT	FOR LH-3168-7	*		1
29	22685150	NEEDLE BAR ASM., LEFT		*		1
30	22685101	NEEDLE BAR, LEFT		*		1
31	22685200	SEESAW PLATE		*		1
32	22685408	NEEDLE BAR PIN		*		1
33	22682504	SPRING BEARING		*		1
34	B1425526000	SCREW 1/8-44 L=6		*		1
35	B1402528FALA	NEEDLE CLAMP ASM. 1/4		*		1
36	B1425526000	SCREW 1/8-44 L=6		*		1
37	22693352	NEEDLE BAR UNIT, RIGHT	FOR LH-3168-7	*		1
38	22685358	NEEDLE BAR ASM., RIGHT		*		1
39	22685309	NEEDLE BAR, RIGHT		*		1
40	22685200	SEESAW PLATE		*		1
41	22685408	NEEDLE BAR PIN		*		1
42	22682504	SPRING BEARING		*		1
43	B1425526000	SCREW 1/8-44 L=6		*		1
44	B1402528FARA	NEEDLE CLAMP ASM. 1/4		*		1
45	B1425526000	SCREW 1/8-44 L=6		*		1
46	22685168	NEEDLE BAR UNIT, LEFT	FOR LH-3168	*		1
47	22685366	NEEDLE BAR UNIT, RIGHT	FOR LH-3168	*		1

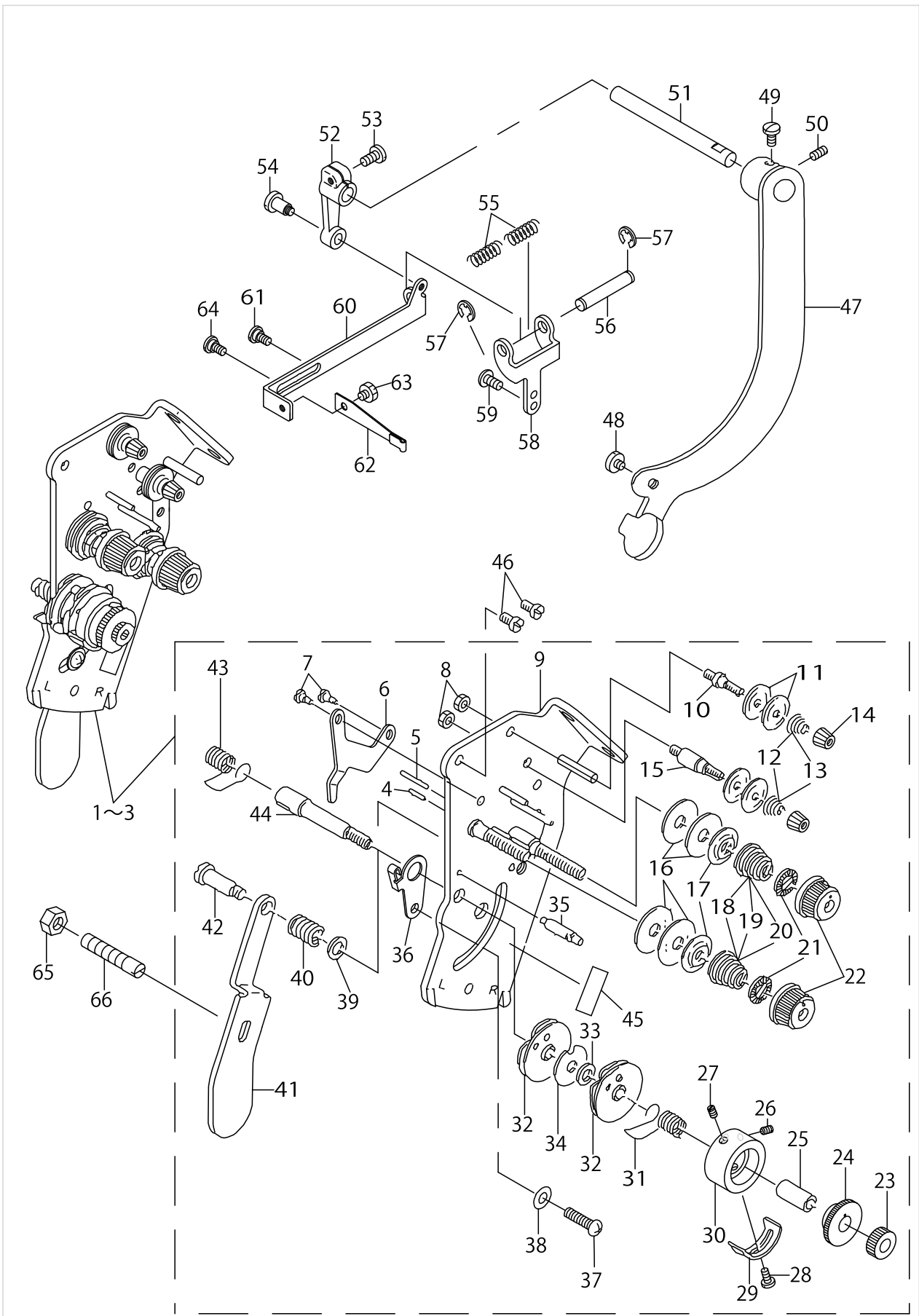
NEEDLE BAR COMPONENTS



NEEDLE BAR COMPONENTS

No.	Parts No.	Parts name	Remarks	Level	Cons	Qty
48	SS4090715SP	SCREW 9/64-40 L=7		*		2
49	22683056	NEEDLE BAR CONNECTION ASM.		*		1
50	SS7060310SP	SCREW 3/32-56 L=3		*		1
51	22683205	RELEASE PIN COVER		*		1
52	22683304	SPRING		*		1
53	22683106	RELEASE PIN		*		1
54	22683809	SPRING		*		2
55	22683007	NEEDLE BAR CONNECTION		*		1
56	22683403	NEEDLE BAR CONNECTION PIN		*		1
57	22684104	SPRING		*		2
58	SS6080340SP	SCREW 1/8-44 L=2.9		*		2
59	22684203	SPRING BRACKET		*		1
60	22683908	CLUTCH STOPPER, LEFT		*		1
61	22684005	CLUTCH STOPPER, RIGHT		*		1
62	22683502	NEEDLE BAR CLUTCH		*		2
63	B1705850000	STOPPER PIN		*		2
64	22683601	CLUTCH LEVER		*		2
65	CQ252000000	OIL WICK		*		0.1
66	40015144	NEEDLE BAR CONNECTION PIN		*		1
67	22684609	NEEDLE BAR CRANK ROD		*		1
68	MDP500B1400	NEEDLE DPX5 #14				2
69	22685705	OIL GUARD RUBBER				1
70	B1414512000	OIL WICK RETAINER				1
71	B1438512B00	WASHER 17.1X28X1.5	SELECTIVE PARTS			1
72	22607303	BUSHING				1
73	22607402	BUSHING				1
74	22607006	REAR ARM				1
75	SS6152440SP	SCREW 15/64-28 L=23.5				1
76	SD0870601SP	HINGE SCREW D= 8.73 H= 6.0				2
77	NS6150430SP	NUT 15/64-28				2
78	22607105	DRIVING ROD				1
79	22607204	DRIVING ARM				1
80	SS6121610TP	SCREW 3/16-28 L=15.5				1

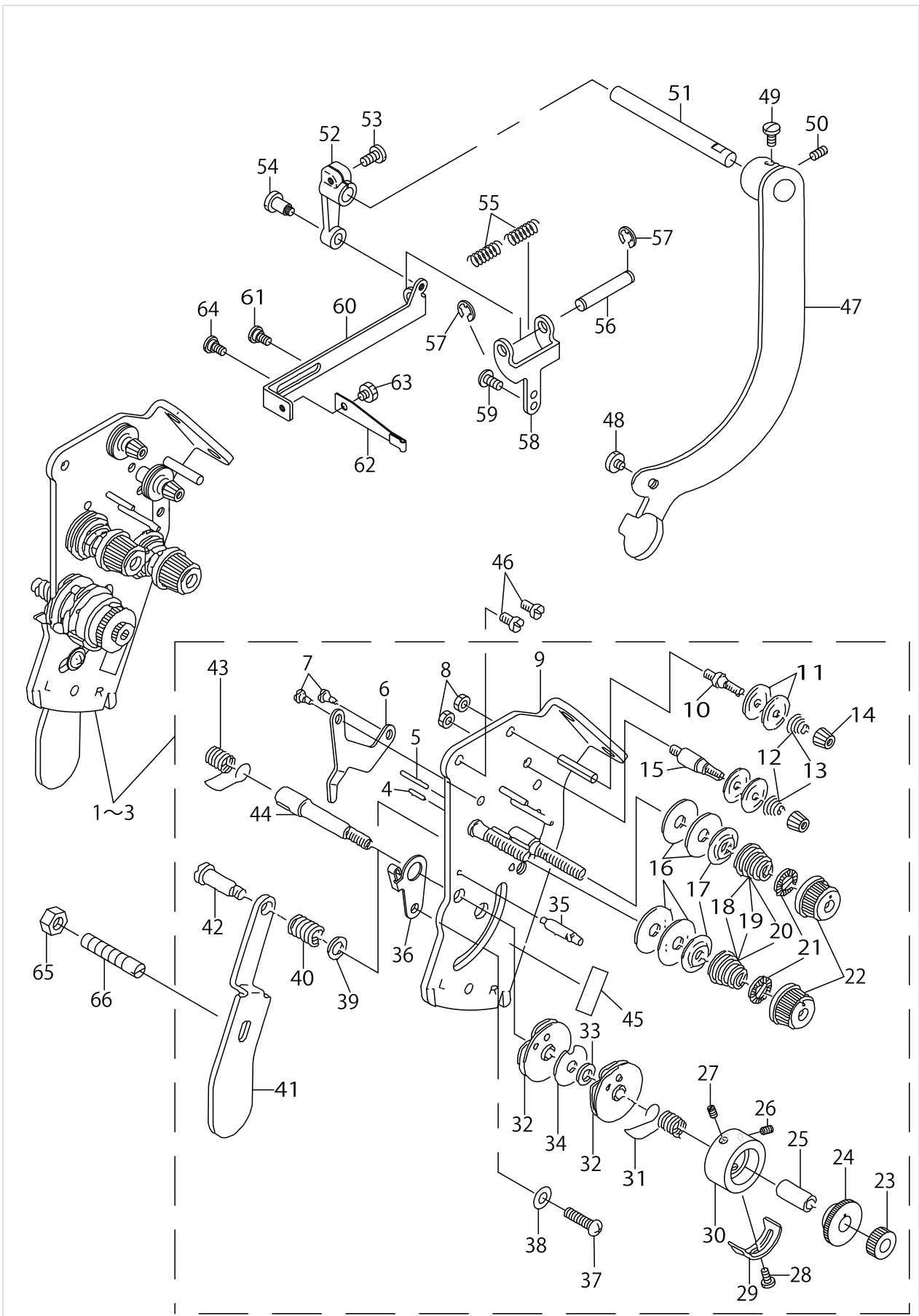
TENSION POST COMPONENTS



TENSION POST COMPONENTS

No.	Parts No.	Parts name	Remarks	Level	Cons	Qty
1	22689061	THREAD TENSION ASM., S				1
2	22689558	THREAD TENSION ASM. A	TYPE A			1
3	22689657	THREAD TENSION ASM.G	TYPE G			1
4	22618201	TENSION RELEASE PIN, A		*		1
5	22618300	TENSION RELEASE PIN, B		*		1
6	22618102	TENSION RELEASE LEVER		*		1
7	SD0470281SP	HINGE SCREW D=4.7 H=2.8		*		2
8	NS6110310SP	NUT 11/64-40		*		2
9	22689053	TENSION BASE PLATE ASM.		*		1
10	10124204	THREAD TENSION POST, A		*		1
11	10741106	FIRST THREAD TENSION PLATE		*		4
12	11045101	THREAD TENSION SPRING	TYPE A, S	*		2
13	11093606	THREAD TENSION SPRING	TYPE G	*		2
14	11072402	THREAD TENSION NUT		*		2
15	10124303	THREAD TENSION POST, B		*		1
16	B3126012000	THREAD TENSION DISK		*		4
17	22617906	THREAD TENSION DISK PRESSER		*		2
18	B3114232000	THREAD TENSION SPRING	TYPE G	*		2
19	B3129012A00	TENSION SPRING	TYPE S	*		2
20	D3129555D00	THREAD TENSION SPRING	TYPE A	*		2
21	B3112704000	TENSION SPRING BUSHING		*		2
22	11956802	THREAD TENSION KNOB, BLUE		*		2
23	22617807	NUT		*		1
24	22617708	TAKE-UP SPRING GUIDE		*		1
25	B3141527000	PRESSER COLLAR		*		1
26	22618904	SET SCREW		*		1
27	22618904	SET SCREW		*		1
28	SS7090510SP	SCREW 9/64-40 L= 4.6		*		1
29	B3138527000	ADJUSTING PLATE B		*		1
30	22617609	THREAD TENSION POST		*		1
31	22618805	THREAD TAKE-UP SPRING B		*		1
32	B31375270A0	TAKE-UP SPRING GUIDE ASM.		*		2
33	B3139527000	COLLAR		*		1
34	B3142527000	TAKE-UP SPRING GUIDE PLATE		*		1
35	B3143527000	TAKE-UP SPRING GUIDE STUD		*		1
36	10697506	THREAD TENSION BRACKET, A		*		1
37	SS4110615SP	SCREW 11/64-40 L=6		*		1
38	WP0501016SD	WASHER 5X10.5X1		*		1
39	WP0450801SP	WASHER		*		1
40	B1449526000	REPOSITIONING LEVER SPRING		*		1
41	22689103	REPOSITIONING LEVER		*		1
42	SD0601171SP	HINGE SCREW D= 6 H=11.7		*		1
43	22618706	THREAD TAKE-UP SPRING A		*		1
44	10697605	THREAD TAKE-UP SPRING STUD		*		1
45	NS6120310SP	NUT 3/16-28				1
46	SS4120615SP	SCREW 3/16-28 L=6				2
47	22687453	REPOSITIONING LEVER ASM.				1

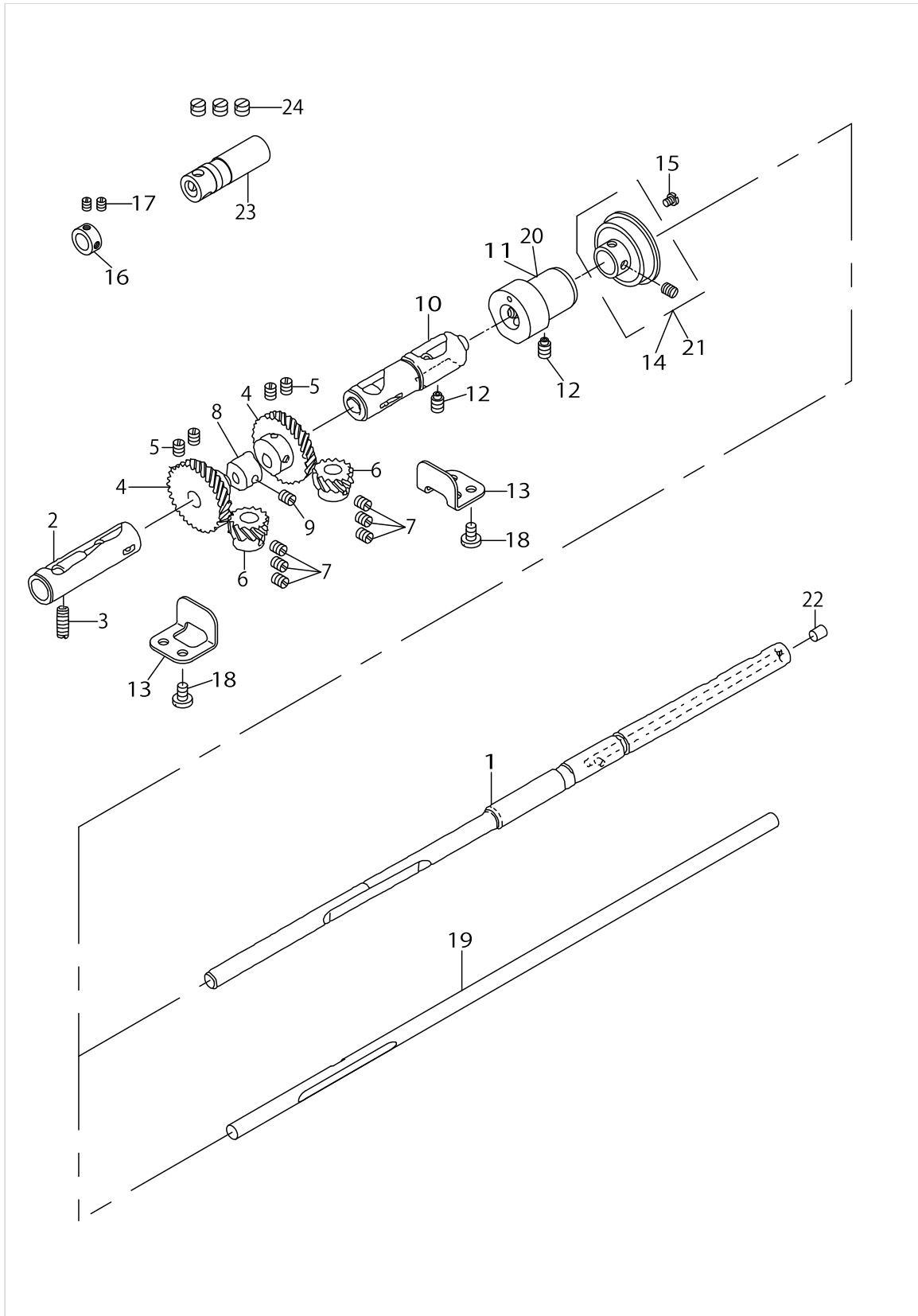
TENSION POST COMPONENTS



TENSION POST COMPONENTS

No.	Parts No.	Parts name	Remarks	Level	Cons	Qty
48	SS6110430TP	SCREW 11/64-40 L= 4.0				1
49	SS7110740TP	SCREW 11/64-40 L=7				1
50	SS8110520TP	SCREW 11/64-40 L= 4.5				1
51	22687305	REPOSITIONING LEVER SHAFT				1
52	22687800	REPOSITIONING ARM				1
53	SS7111410TP	SCREW 11/64-40 L=14				1
54	SD0640752TP	HINGE SCREW D= 6.35 H= 7.5				1
55	22687503	SPRING				2
56	22687701	SPRING SHAFT				1
57	RE0700000K0	E-RING 7				2
58	22687602	SPRING BASE				1
59	SS4120915SP	SCREW 3/16-28 L=9				2
60	22687107	REPOSITIONING PLATE				1
61	SD0640241SP	HINGE SCREW D= 6.35 H= 2.4				1
62	22687008	LEAF SPRING				1
63	SS9110460CP	SCREW 11/64-40 L=4				1
64	SD0640241SP	HINGE SCREW D= 6.35 H= 2.4				1
65	22689301	LABEL				1
66	22689202	LEVER PIN SCREW				1

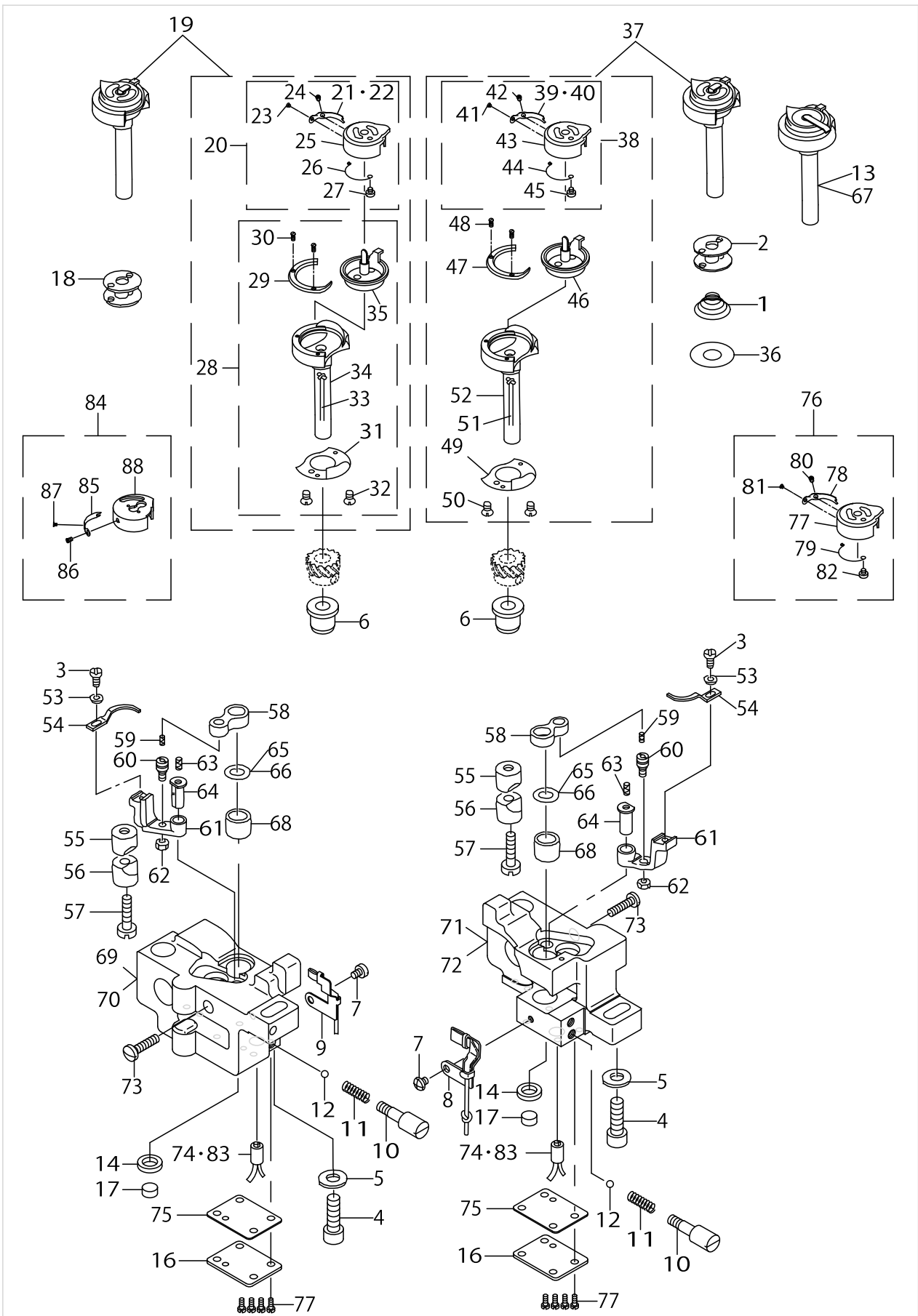
HOOK DRIVING SHAFT COMPONENTS



HOOK DRIVING SHAFT COMPONENTS

No.	Parts No.	Parts name	Remarks	Level	Cons	Qty
1	10108512	HOOK DRIVING SHAFT	FOR LH-3168-7			1
2	B18025120A0A	BUSHING ASM., FRONT	SELECTIVE PARTS			1
3	SS8151150SP	SCREW 15/64-28 L=10.5				1
4	B1816512000	HOOK DRIVING SHAFT, LARGE				2
5	SS8660810TP	SCREW 1/4-40 L=8				4
6	10112001	HOOK SHAFT GEAR, A	SELECTIVE PARTS			2
7	SS8660530TP	SCREW 1/4-40 L= 4.5				6
8	22609804	FEED DRIVING CAM				1
9	SS8660530TP	SCREW 1/4-40 L= 4.5				1
10	B18035150A0	BUSHING ASM., INTERMEDIATE	SELECTIVE PARTS			1
11	10108611	PLUNGER BUSHING	FOR LH-3168-7			1
12	SS8151150SP	SCREW 15/64-28 L=10.5				2
13	22613608	GEAR GUIDE				2
14	10611457	THRUST COLLAR ASM.	FOR LH-3168-7			1
15	SS7120760SP	SCREW 3/16-28 L= 7.0				2
16	CS1471012SH	THRUST COLLAR D=14.72 W=10	FOR LH-3168-7			1
17	SS8660530TP	SCREW 1/4-40 L= 4.5	FOR LH-3168-7			2
18	SS7110710SP	SCREW 11/64-40 L=7				4
19	22623102	LOWER SHAFT B	FOR LH-3168			1
20	22611701	PLUNGER BUSHING, B	FOR LH-3168			1
21	22611651	THRUST COLLAR ASM., B	FOR LH-3168			1
22	TA0500601M0	PLUG D=5X5.4 L=6	FOR LH-3168-7			1
23	22611909	OIL PUMP SHAFT	FOR LH-3168			1
24	SS8660530TP	SCREW 1/4-40 L= 4.5	FOR LH-3168			3

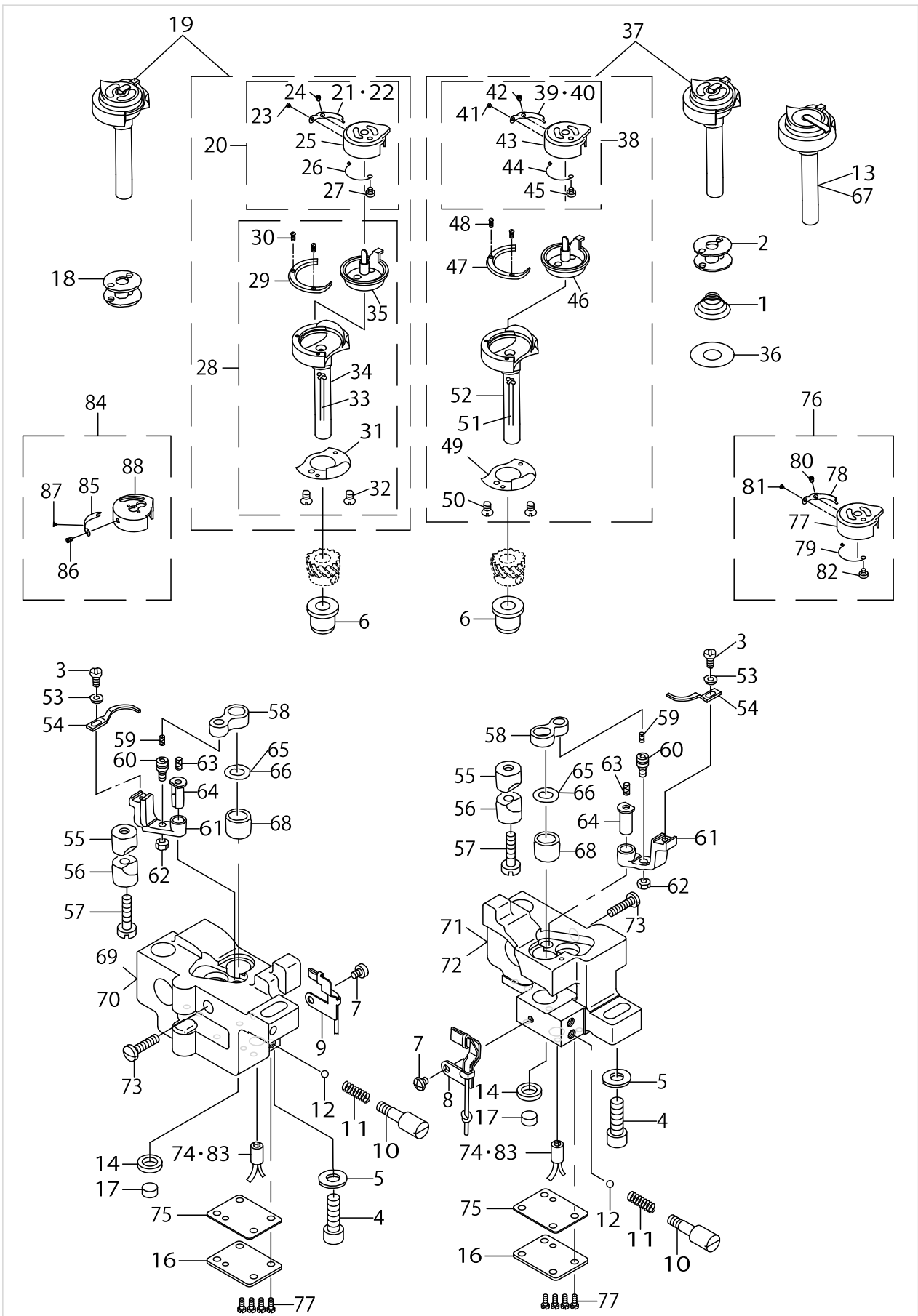
HOOK COMPONENTS



HOOK COMPONENTS

No.	Parts No.	Parts name	Remarks	Level	Cons	Qty
1	10111508	SPRING	FOR LH-3168-7			2
2	10210805	HARD ALUMITE BOBBIN	FOR LH-3168-7			2
3	SS6090810SP	SCREW 9/64-40 L= 7.5				2
4	SM6082502TP	SCREW M8 L=25				2
5	WP0850002SP	WASHER 8.5X18X1.6				2
6	22613400	HOOK DRIVING SHAFT BUSHING				2
7	SS4110515SP	SCREW 11/64-40 L=5				2
8	22616254	OIL WICK HOLDER ASM. RIGHT				1
9	22615959	OIL WICK HOLDER ASM. LEFT				1
10	22615801	OIL ADJUSTING SCREW				2
11	D3171415B0H	PRESSER SPRING				2
12	22615702	OIL ADJUSTING BALL				2
13	22653158	RATCHET HOOK ASM.	FOR LH-3168-7, JS			2
14	22615306	FELT HOLDER				2
15	SS4110815SP	SCREW 11/64-40 L=8				8
16	22615009	HOOK SHAFT SADDLE COVER				2
17	22615207	FELT				2
18	B9117051000	BOBBIN	FOR LH-3168			2
19	22688253	HOOK ASM.	FOR LH-3168			2
20	22688154	BOBBIN CASE ASM.		*		1
21	22688402	TENSION ADJUSTING SPRING	SELECTIVE PARTS	*		1
22	22688501	TENSION ADJUSTING SPRING	SELECTIVE PARTS	*		1
23	10110500	TENSION SPRING INSTALLING SCRE		*		1
24	22612907	TENSION ADJUSTING SCREW		*		1
25	22688105	BOBBIN CASE		*		1
26	22688204	SPRING		*		1
27	SS6560150SH	SCREW 3/32-80 L=1.3		*		1
28	22688055	HOOK ASM.	FOR LH-3168	*		1
29	22612204	HOOK GIB		*		1
30	10112803	SCREW		*		2
31	22612303	NEEDLE POSITIONER		*		1
32	10112902	SCREW		*		2
33	22612501	LILYARN		*		1
34	22688006	OUTER HOOK		*		1
35	22612709	BOBBIN BASKET		*		1
36	22653802	SHEET	FOR LH-3168-7			2
37	22693857	HOOK ASM.	FOR LH-3168-7			2
38	22688154	BOBBIN CASE ASM.		*		2
39	22688402	TENSION ADJUSTING SPRING	SELECTIVE PARTS	*		1
40	22688501	TENSION ADJUSTING SPRING	SELECTIVE PARTS	*		1
41	10110500	TENSION SPRING INSTALLING SCRE		*		1
42	22612907	TENSION ADJUSTING SCREW		*		1
43	22688105	BOBBIN CASE		*		1
44	22688204	SPRING		*		1
45	SS6560150SH	SCREW 3/32-80 L=1.3		*		1
46	22653000	SEWING HOOK		*		1
47	22653307	HOOK GIB		*		1

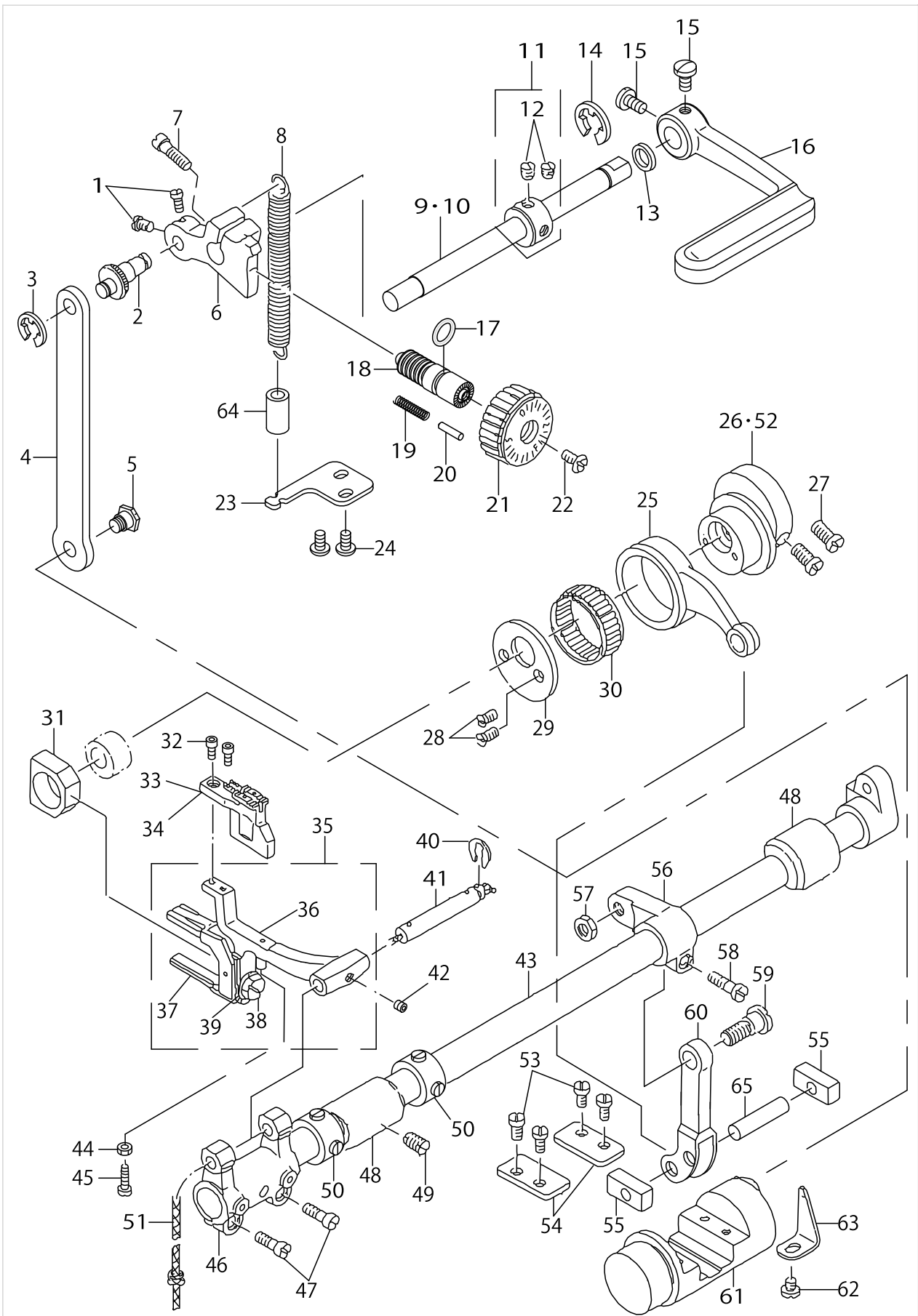
HOOK COMPONENTS



HOOK COMPONENTS

No.	Parts No.	Parts name	Remarks	Level	Cons	Qty
48	10112803	SCREW		*		2
49	22612303	NEEDLE POSITIONER		*		1
50	10112902	SCREW		*		2
51	22612501	LILYYARN		*		1
52	22688006	OUTER HOOK		*		1
53	WP0371016SD	WASHER 3.7X8X1				2
54	22613509	BOBBIN CASE OPENING LEVER				2
55	10109908	SADDLE INSTALLING BLOCK, UPPER				2
56	10112407	SADDLE INSTALLING BLOCK, LOWER				2
57	SS6153040SP	SCREW 15/64-28 L=30				2
58	B1820051000	BOBBIN CASE OPENING LEVER LINK				2
59	CQ202000000	OIL WICK				0.1
60	B1821051000	CRANK SCREW STUD				2
61	B1822051000	OPENING LEVER CRANK				2
62	NS6110420SP	NUT 11/64-40				2
63	CQ202000000	OIL WICK				0.1
64	B1823051000	OPENING LEVER CRANK PIN				2
65	22614101	THRUST WASHER, B	SELECTIVE PARTS FOR LH-3168			2
66	10111201	THRUST WASHER, F	SELECTIVE PARTS FOR LH-3168-7			2
67	22612055	HOOK ASM.	FOR LH-3168, JS			2
68	22613905	HOOK SHAFT UPPER METAL				2
69	22613103	HOOK SHAFT SADDLE, LEFT	FOR LH-3168			1
70	22653604	HOOK SHAFT SADDLE, LEFT	FOR LH-3168-7			1
71	22613004	HOOK SHAFT SADDLE, RIGHT	FOR LH-3168			1
72	22653505	HOOK SHAFT SADDLE, RIGHT	FOR LH-3168-7			1
73	SS7111810SP	SCREW 11/64-40 L=18				2
74	22615454	RUBBER BUSHING ASM.				2
75	22615108	GASKET				2
76	22694855	BOBBIN CASE ASM.	OPTIONAL PARTS			1
77	22694806	BOBBIN CASE		*		1
78	22688402	TENSION ADJUSTING SPRING(0.3)		*		1
79	22694707	TENSION ADJUSTING SPRING(0.4)		*		1
80	10110500	TENSION SPRING INSTALLING SCRE		*		1
81	22612907	TENSION ADJUSTING SCREW		*		1
82	SS6560150SH	SCREW 3/32-80 L=1.3		*		1
83	22615462	RUBBER BUSHING ASM.	OPTIONAL PARTS			2
84	40013657	BOBBIN CASE ASM.	OPTIONAL PARTS			1
85	22688402	TENSION ADJUSTING SPRING		*		1
86	10110500	TENSION SPRING INSTALLING SCRE		*		1
87	22612907	TENSION ADJUSTING SCREW		*		1
88	40013658	BOBBIN CASE		*		1

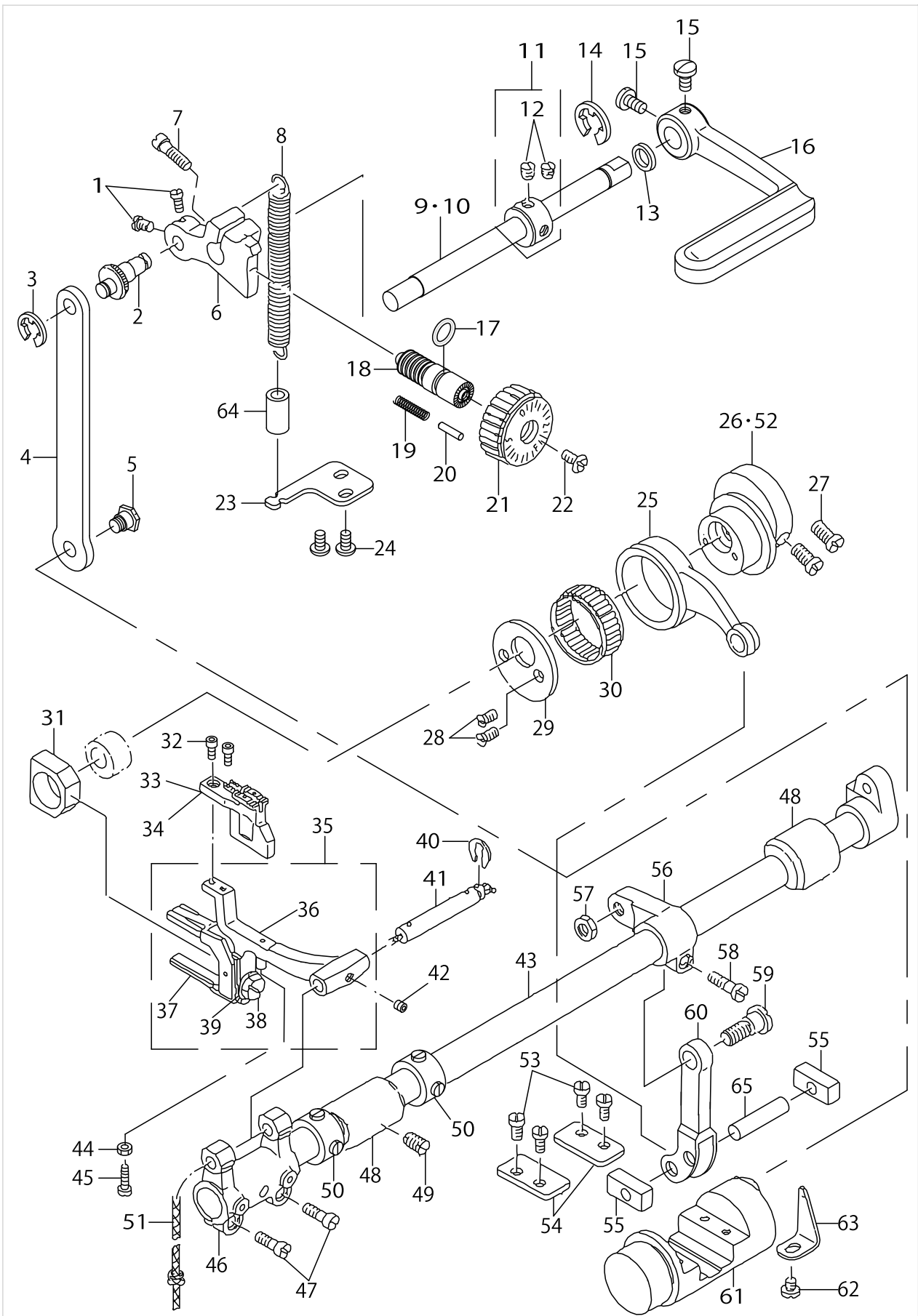
FEED MECHANISM COMPONENTS



FEED MECHANISM COMPONENTS

No.	Parts No.	Parts name	Remarks	Level	Cons	Qty
1	SS6090670TP	SCREW 9/64-40 L=6				2
2	22610109	ROD PIN				1
3	RE0500000K0	E-RING				1
4	22610208	FEED REGULATOR CONNECTING ROD				1
5	SD0800422CP	HINGE SCREW D= 8 H= 4.2				1
6	22610000	FEED REGULATOR				1
7	SS7121410SP	SCREW 3/16-28 L=14				1
8	22610307	FEED REGULATOR SPRING				1
9	22610604	REVERSE FEED SHAFT				1
10	22652101	REVERSE FEED SHAFT	FOR LH-3168-7-WB, -OB			1
11	CS102121ASH	THRUST COLLAR ASM. D=10.2 W=12				1
12	SS8660610TP	SCREW 1/4-40 L=6		*		2
13	10108009	OIL SEAL				1
14	RE0900000K0	E-RING 9				1
15	SS7120910SP	SCREW 3/16-28 L=9				2
16	22610505	REVERSE FEED CONTROL LEVER				1
17	RO092270200	RUBBER RING				1
18	22911804	FEED REGULATOR SCREW				1
19	22912109	FEED REGULATOR PIN SPRING				1
20	22912000	FEED REGULATOR PIN				1
21	22911903	FEED DIAL				1
22	SS6121860SP	SCREW 3/16-28 L=18				1
23	22610406	SPRING BRACKET				1
24	SS4110815SP	SCREW 11/64-40 L=8				2
25	22609200	FEED ROCK SHAFT CONNECTING ROD				1
26	22652002	FEED DRIVE ECCENTRIC CAM	FOR LH-3168-7			1
27	SS6661110SP	SCREW 1/4-40 L=11				2
28	SS7110710SP	SCREW 11/64-40 L=7				2
29	22609101	CAM COVER				1
30	B1636581B00	NEEDLE BEARING B				1
31	B1610512000	FEED DRIVING SLIDE BLOCK				1
32	SS6580752TP	SCREW 1/8-40 L=7				2
33	22630602	FEED DOG 1/4	EXCHANGING GAUGE PARTS F-OR LH-3168 (SEE P.29~33)			1
34	10238202	FEED DOG 1/4	EXCHANGING GAUGE PARTS F-OR LH- 3168-7(SEE P.29~33)			1
35	22609754	FEED BAR ASM.				1
36	22609705	FEED BAR		*		1
37	10107902	FEED BAR FORK		*		1
38	SS9151440CP	SCREW 15/64-28 L=14		*		1
39	WP0621016SD	WASHER 6.2X13X1		*		1
40	RE0500711KP	SNAP RING 5				1
41	B1604012000A	FEED BAR SHAFT				1
42	SM8050502TP	SCREW M5 L=5				1
43	22609408	FEED ROCK SHAFT				1
44	NS6080210SP	NUT 1/8-44				1
45	SS6081810SP	SCREW 1/8-44 L=18.0				1
46	B1603512000	FEED ROCKER				1

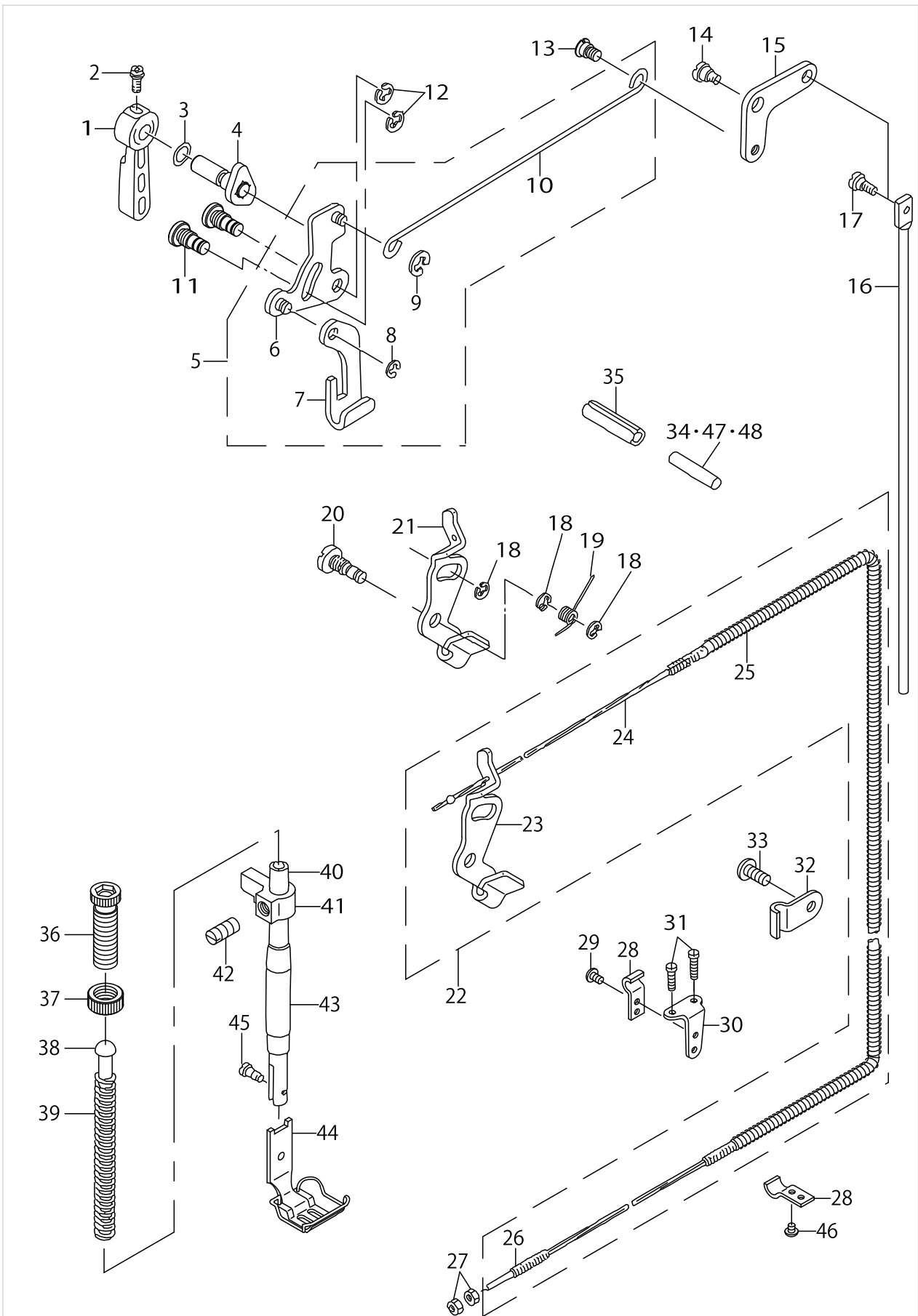
FEED MECHANISM COMPONENTS



FEED MECHANISM COMPONENTS

No.	Parts No.	Parts name	Remarks	Level	Cons	Qty
47	SS7111310TP	SCREW 11/64-40 L=12.8				2
48	10106102	BUSHING				2
49	SS8151150SP	SCREW 15/64-28 L=10.5				1
50	22904155	MAIN SHAFT THRUST COLLAR ASM.				2
51	CQ252000000	OIL WICK				0.26
52	22609002	FEED DRIVE ECCENTRIC CAM, B	FOR LH-3168			1
53	SS7110910SP	SCREW 11/64-40 L=8.5				4
54	10315505	PLATE				2
55	22609606	FEED DRIVING ROCKER BLOCK, S				2
56	22609309	FEED ROCKER SHAFT CRANK				1
57	NS6680320SP	NUT 9/32-28				1
58	SS6121610TP	SCREW 3/16-28 L=15.5				1
59	SD0900701TP	HINGE SCREW D= 9 H= 7				1
60	10315208	FEED ROCK CONNECTING ROD				1
61	10315455	FEED DRIVING ROCKER ASM.				1
62	SS7110510SP	SCREW 11/64-40 L=5				1
63	B1633470000	STOPPER PLATE				1
64	BT0500300EA	OIL TUBE				0.09
65	B1653470000	PIN				1

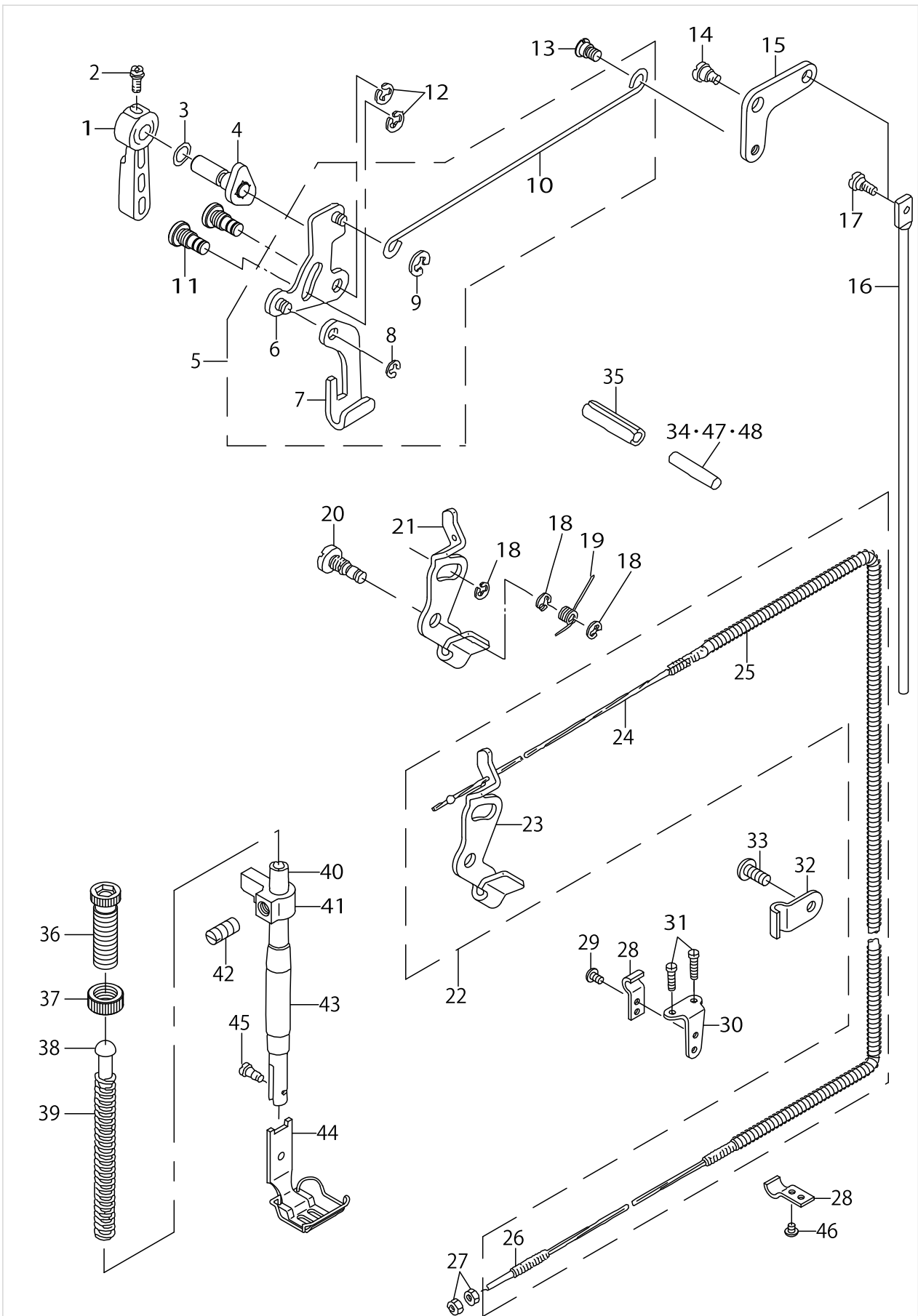
PRESSER BAR & TENSION RELEASE COMPONENTS



PRESSER BAR & TENSION RELEASE COMPONENTS

No.	Parts No.	Parts name	Remarks	Level	Cons	Qty
1	22907802	HAND LIFTER				1
2	B1521555000	SCREW				1
3	RO037180100	RUBBER RING				1
4	22908552	HAND LIFTER CAM ASM.				1
5	22608152	LIFTING LEVER ROD ASM.				1
6	11006350	HAND LIFTER LINK		*		1
7	11006202	LIFTING LEVER		*		1
8	11007309	E-RING		*		1
9	RE0500000K0	E-RING		*		1
10	22608103	LIFTING LEVER CONNECTING ROD		*		1
11	40034204	LINK SHAFT				2
12	RE0500000K0	E-RING				2
13	22908909	HINGE SCREW				1
14	SD0720332SP	HINGE SCREW D= 7.24 H= 3.3				1
15	22908800	KNEE LIFTER LINK				1
16	10125201	CONNECTING ROD, VERTICAL				1
17	SD0600322SD	HINGE SCREW D=6 H=3.2				1
18	RE0500000K0	E-RING				3
19	22920201	RETURN SPRING				1
20	11018108	TENSION RELEASE SHAFT				1
21	22617104	TENSION RELEASE PLATE	FOR LH-3168			1
22	22654958	TENSION RELEASE PLATE ASM.	FOR LH-3168-7			1
23	22617104	TENSION RELEASE PLATE		*		1
24	11394509	WIRE CABLE		*		1
25	22654909	WIRE TUBE		*		1
26	D3159555B00	SET SCREW		*		1
27	NS6620310SP	NUT 3/16-32	FOR LH-3168-7			2
28	D3164555B00	OUTER PRESSER PLATE	FOR LH-3168-7			2
29	SS4110715SP	SCREW 11/64-40 L=7	FOR LH-3168-7			1
30	D3163555B00A	FLEXIBLE TUBE SUPPORT PLATE	FOR LH-3168-7			1
31	SS4111215SP	SCREW 11/64-40 L=12	FOR LH-3168-7			2
32	22620801	PIPE HOLDER	FOR LH-3168-7			1
33	SS4111015SP	SCREW 11/64-40 L=10	FOR LH-3168-7			1
34	22617005	PUSH BAR	SELECTIVE PARTS			1
35	PS0600502KP	SPRING PIN				1
36	22907505	PRESSER SPRING REGULATOR				1
37	22907604	PRESSER SPRING REGULATOR NUT				1
38	22907703	PRESSER GUIDE BAR				1
39	B1505227T00A	PRESSER SPRING T				1
40	B1501581000	PRESSER BAR				1
41	40017058	PRESSER BAR HOLDER				1
42	SS8660810TP	SCREW 1/4-40 L=8				1
43	22907109	PRESSER BAR BUSHING, LOWER				1
44	10152957	PRESSER FOOT ASM. 1/4	EXCHANGING GAUGE PARTS (SEE P.29~33)			1
45	SS7090910TP	SCREW 9/64-40 L= 8.5				1
46	SS4110515SP	SCREW 11/64-40 L=5	FOR LH-3168-7			1

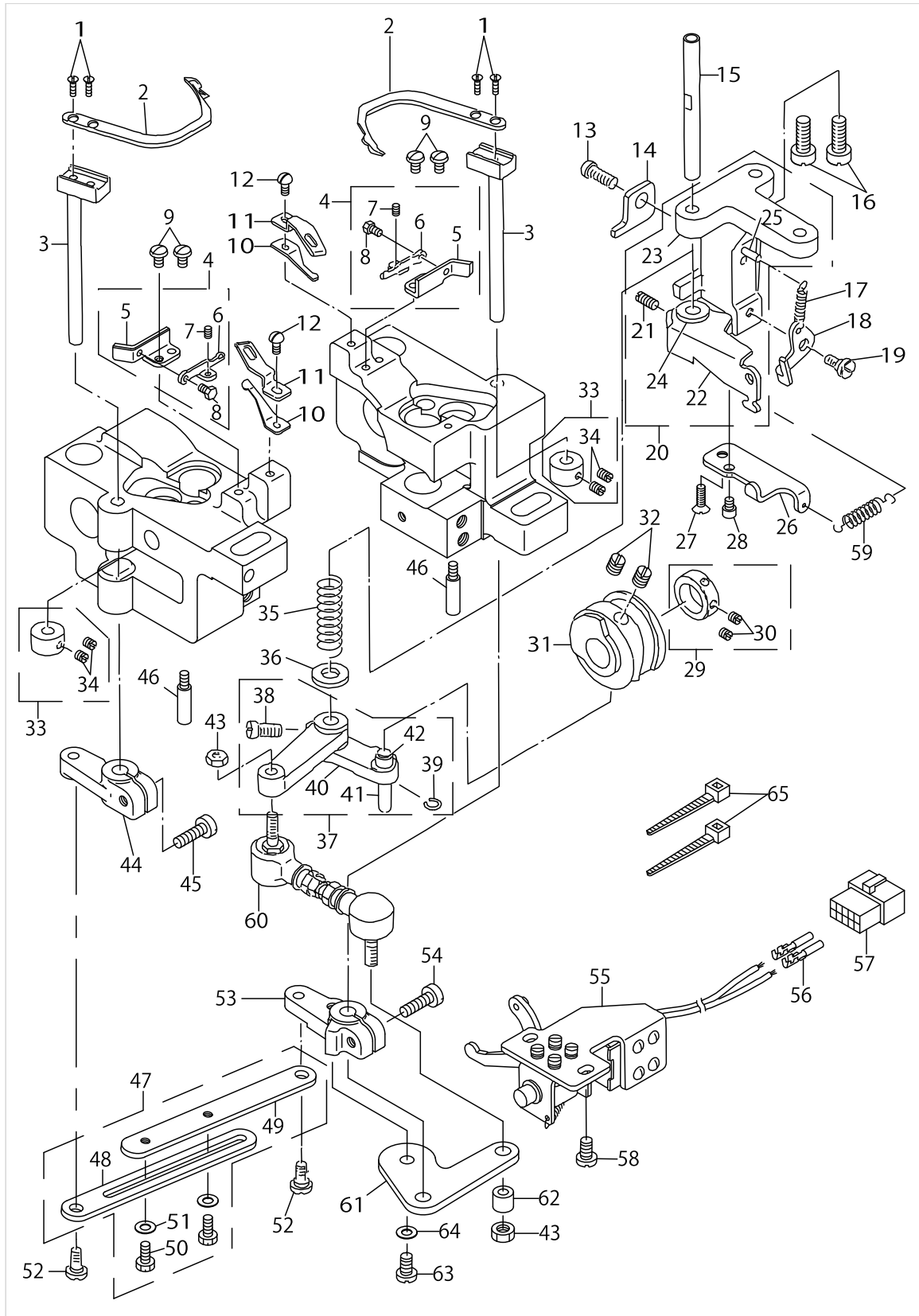
PRESSER BAR & TENSION RELEASE COMPONENTS



PRESSER BAR & TENSION RELEASE COMPONENTS

No.	Parts No.	Parts name	Remarks	Level	Cons	Qty
47	40030133	PUSH BAR	SELECTIVE PARTS			1
48	40039672	PUSH BAR	SELECTIVE PARTS			1

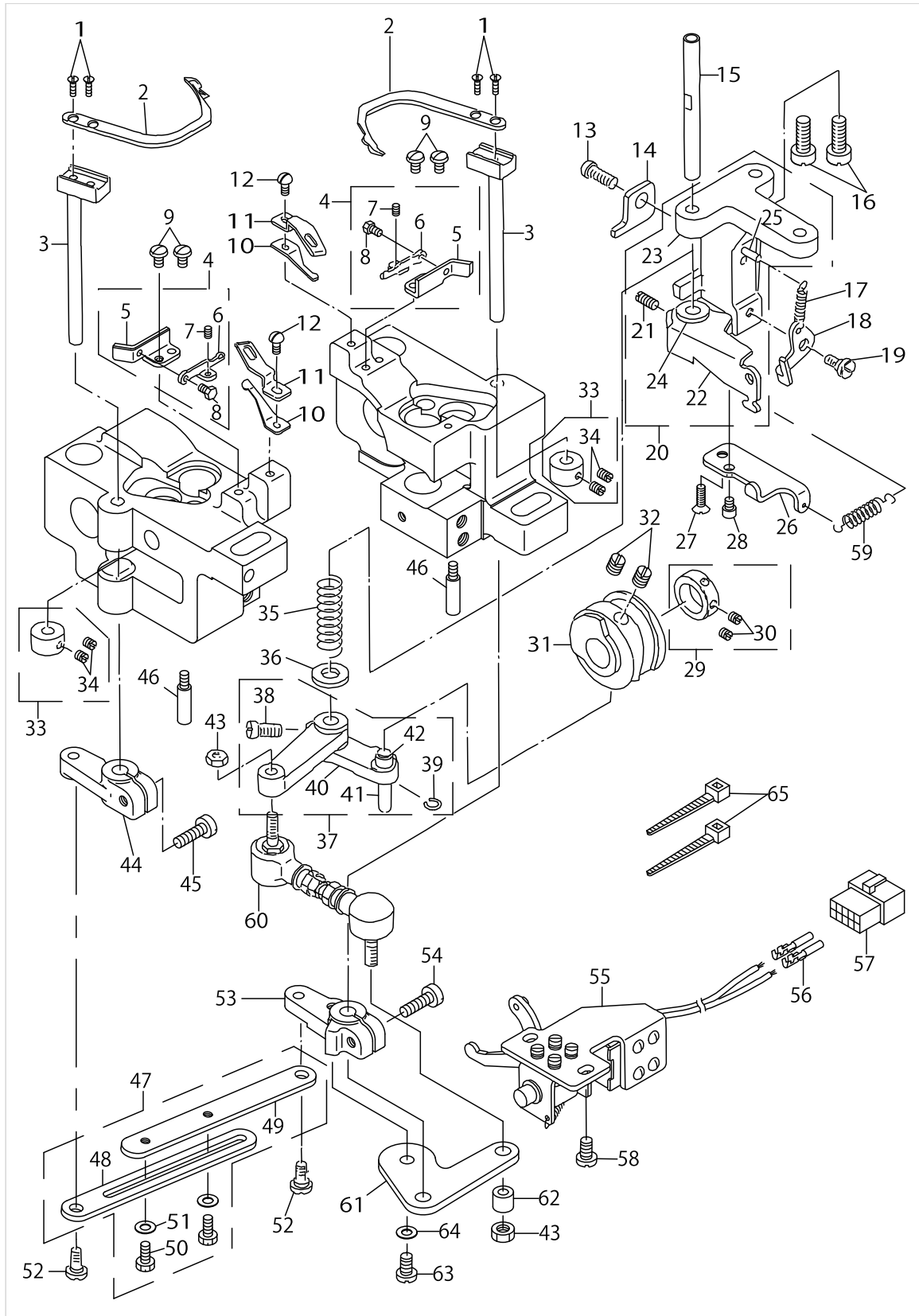
THREAD TRIMMER MECHANISM COMPONENTS (FOR LH-3168-7)



THREAD TRIMMER MECHANISM COMPONENTS (FOR LH-3168-7)

No.	Parts No.	Parts name	Remarks	Level	Cons	Qty
1	SS2080810SP	SCREW 1/8-44 L=7.5				4
2	10211605	MOVING KNIFE				2
3	10116051	MOVING KNIFE SHAFT ASM.				2
4	22654255	MOVING KNIFE SUPPORT ASM.				2
5	22654206	MOVING KNIFE SUPPORT PLATE		*		2
6	10211407	THREAD PRESSER ADJUSTING PLATE		*		2
7	SS8080610SP	SCREW 1/8-44 L=5.5		*		2
8	SS9080410SP	SCREW 1/8-44 L=4.3		*		2
9	SS5090610SP	SCREW 9/64-40 L=6				4
10	22655401	THREAD PRESSER				2
11	22655302	COUNTER KNIFE				2
12	SS7090710SP	SCREW 9/64-40 L= 6.8				2
13	SS6121212TP	SCREW 3/16-28 L=12.0				1
14	22654800	STOPPER, A				1
15	10116804	SHAFT				1
16	SS7151610SP	SCREW 15/64-28 L=16				2
17	B3418180000	SPRING				1
18	10117208	TENSION DISC RELEASE PLATE				1
19	SD0600271SP	HINGE SCREW D= 6 H= 2.7				1
20	22655153	LINK INSTALLING BASE ASM.				1
21	SS8111010TP	SCREW 11/64-40 L=9.5		*		1
22	22655104	TENSION DISC RELEASE ARM		*		1
23	10116606	LINK INSTALLING BASE		*		1
24	10117109	BUSHING		*		1
25	PS0300201KP	SPRING PIN 3.0X20		*		1
26	40012461	STOPPER PLATE				1
27	SS2110920TP	SCREW 11/64-40 L=8.5				1
28	SS6111052TP	SCREW				1
29	CS1470710SH	THRUST COLLAR ASM. D=14.72 W=7				1
30	SS8110410TP	SCREW 11/64-40 L= 3.5		*		2
31	22654107	THREAD TRIMMER CAM				1
32	SS8660810TP	SCREW 1/4-40 L=8				2
33	CS070081BSH	THRUST COLLAR ASM. D=7 W=8				2
34	SS8110510SP	SCREW 11/64-40 L=5		*		4
35	10116903	SPRING				1
36	WP0753016SZ	WASHER 7.5X16.0X3.0				1
37	10116754	CAM INSTALLING LINK ASM.				1
38	SS6151220SP	SCREW 15/64-28 L=11.5		*		1
39	D2430555B00	SNAP RING		*		1
40	10116705	CAM INSTALLING LINK		*		1
41	D2428555B00A	CAM ROLLER SHAFT		*		1
42	D2427555B00B	CAM ROLLER		*		1
43	NM6050001SP	NUT M5				2
44	22654404	DRIVING ARM, LEFT				1
45	SS6121610TP	SCREW 3/16-28 L=15.5				1
46	B1515051000	HAND LIFTER PIN				2
47	22654552	CONNECTING LINK ASM.				1

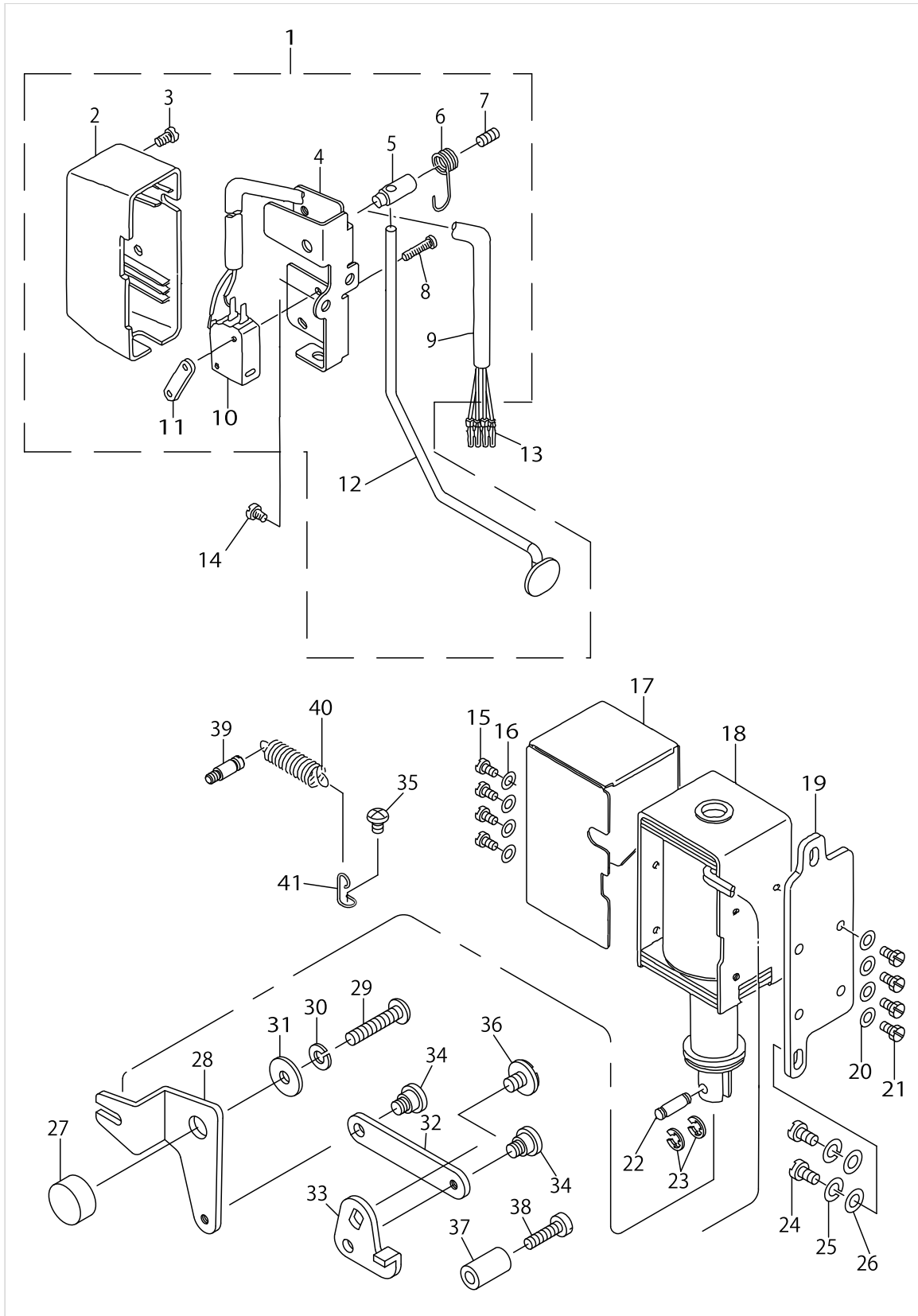
THREAD TRIMMER MECHANISM COMPONENTS (FOR LH-3168-7)



THREAD TRIMMER MECHANISM COMPONENTS (FOR LH-3168-7)

No.	Parts No.	Parts name	Remarks	Level	Cons	Qty
48	22654503	CONNECTING LINK, A		*		1
49	22654602	CONNECTING LINK, B		*		1
50	SS9111010SP	SCREW 11/64-40 L=9.5		*		2
51	WP0501016SD	WASHER 5X10.5X1		*		2
52	SD0650305TP	HINGE SCREW D= 6.5 H= 3				2
53	22654305	DRIVING ARM, RIGHT				1
54	SS6121610TP	SCREW 3/16-28 L=15.5				1
55	10117851	SOLENOID ASM.				1
56	HK03464000B	PIN CONTACT				2
57	HK034610140	HOUSING 14P				1
58	SS6151040SP	SCREW 15/64-28 L=10				2
59	B3041980000	SPRING				1
60	22655005	JOINT ROD				1
61	22654008	DRIVING ARM PLATE				1
62	B3417051000	REAR LIFTING BAR ROLLER				1
63	SS6120940SP	SCREW 3/16-28 L=9				1
64	WP0501016SD	WASHER 5X10.5X1				1
65	EA9500B0100	CABLE BAND				2

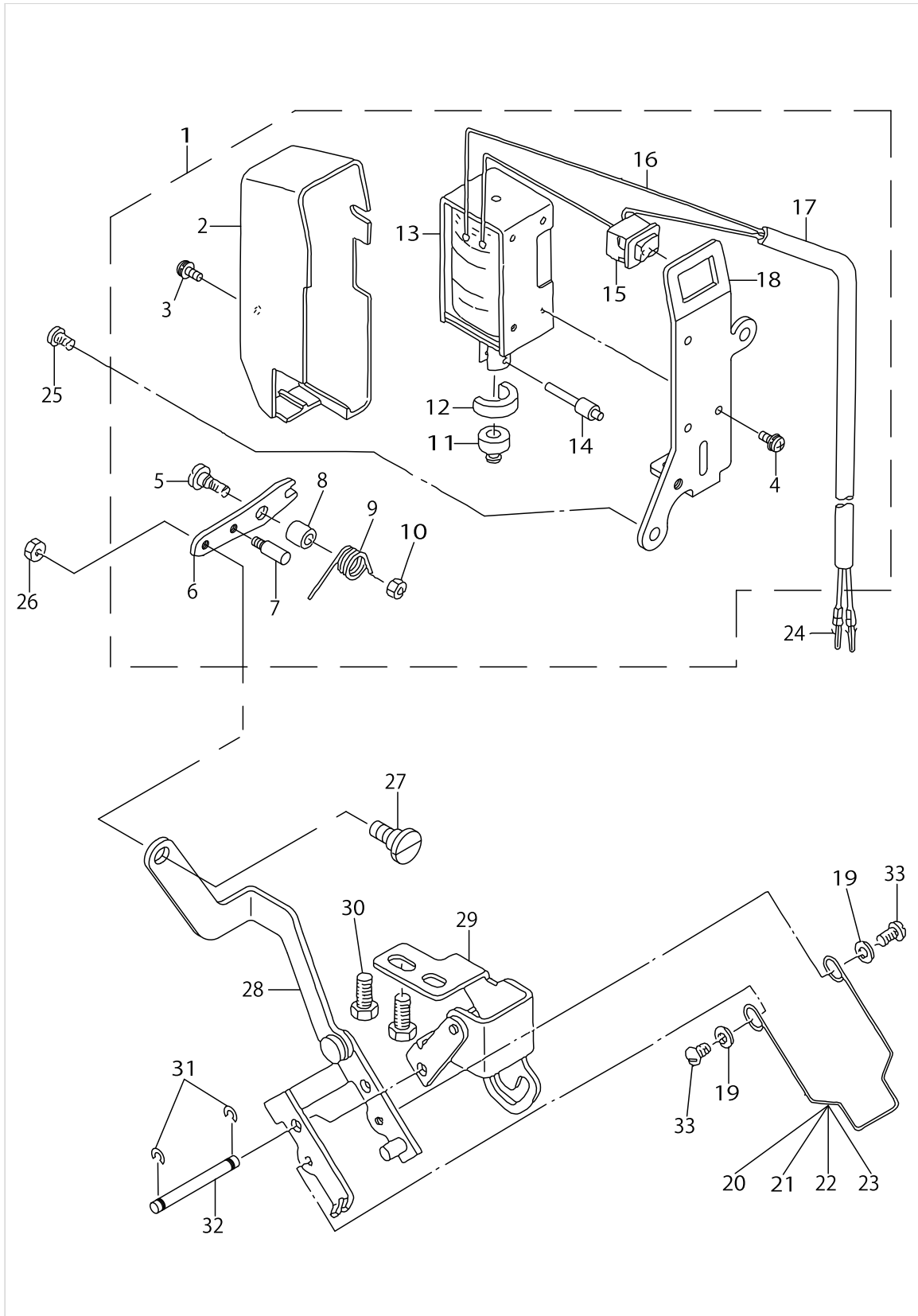
AUTOMATIC REVERSE FEED MECHANISM COMPONENTS (FOR LH-3168-7)



AUTOMATIC REVERSE FEED MECHANISM COMPONENTS (FOR LH-3168-7)

No.	Parts No.	Parts name	Remarks	Level	Cons	Qty
1	22656557	REVERSE FEED SWITCH ASM.				1
2	11072501	REVERSE FEED SWITCH COVER		*		1
3	SM4040655SP	SCREW M4 L=6		*		1
4	22656508	REVERSE FEED SWITCH BASE		*		1
5	11102100	REVERSE FEED SWITCH SHAFT		*		1
6	11102209	REVERSE FEED SWITCH SPRING		*		1
7	SM8040802SP	SCREW M4X0.7 L=8		*		1
8	SM4031501SC	SCREW M3 L=15		*		2
9	HW500070000	2-CORE CABTYRE CORD		*		1.4
10	HA001900000	MICROSWITCH		*		1
11	11102308	MICRO SWITCH PLATE		*		1
12	22656607	REVERSE FEED SWITCH LEVER		*		1
13	HK03464000B	PIN CONTACT				4
14	SS4120615SP	SCREW 3/16-28 L=6				2
15	SS7110710SP	SCREW 11/64-40 L=7				4
16	WP0501016SD	WASHER 5X10.5X1				4
17	10161305	SOLENOID COVER				1
18	10119105	REVERSE FEED SOLENOID, AC24V				1
19	10119204	SOLENOID INSTALLING PLATE				1
20	WP0501016SD	WASHER 5X10.5X1				4
21	SS9111010SP	SCREW 11/64-40 L=9.5				4
22	D2464555B00	LINK DRIVING MAGNET PIN				1
23	RE0400000K0	E-RING 4				2
24	SS7151210SP	SCREW 15/64-28 L=12				2
25	WS0631510KP	SPRING WASHER				2
26	WP0621016SD	WASHER 6.2X13X1				2
27	22656409	LINK FULCULUM				1
28	22656300	REVERSE FEED LINK, L				1
29	SS4153015SP	PAN-SCREW 15/64-28 L=30				1
30	WS0610002KP	SPRING WASHER				1
31	WP0612056SD	WASHER 6.1X18.5X2				1
32	22656201	REVERSE FEED LINK, (2)				1
33	22656102	REVERSE FEED LINK, (1)				1
34	SD0640321SP	HINGE SCREW D= 6.35 H= 3.2				2
35	SS4120615SP	SCREW 3/16-28 L=6				1
36	SS7120760SP	SCREW 3/16-28 L= 7.0				1
37	22952501	BACK LEVER STOPPER				1
38	SS6121840SP	SCREW 3/16-28 L=18				1
39	26226407	TENSION SPRING HOOK				1
40	26226209	SPRING				1
41	22656003	SPRING SUSPENSION				1

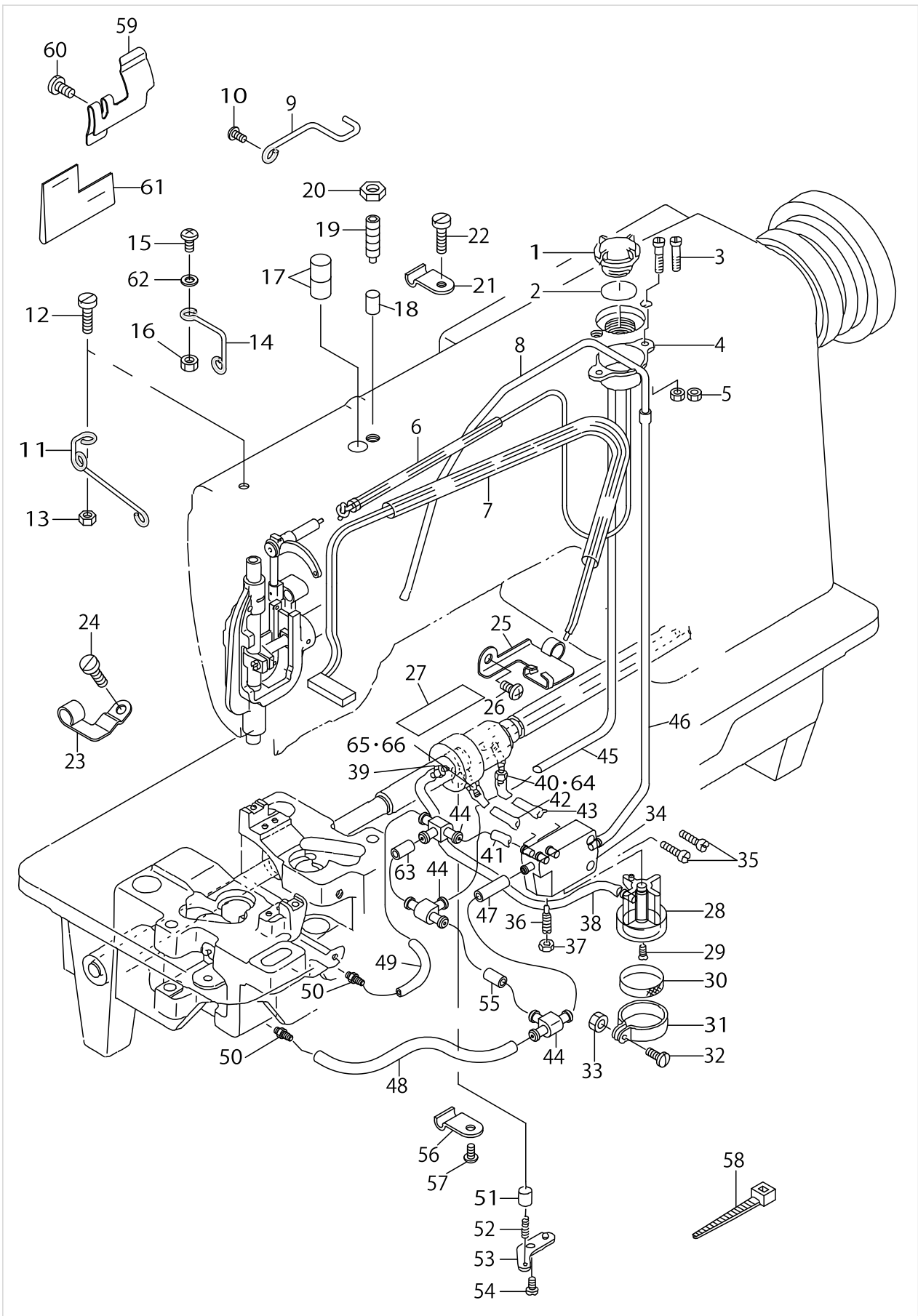
WIPER MECHANISM COMPONENTS (FOR LH-3168-7)



WIPER MECHANISM COMPONENTS (FOR LH-3168-7)

No.	Parts No.	Parts name	Remarks	Level	Cons	Qty
1	22657159	WIPER SOLENOID ASM.				1
2	11072709	WIPER COVER		*		1
3	SL4030891SC	SCREW M3X8		*		1
4	SL4030891SC	SCREW M3X8		*		3
5	SD0650321TP	HINGE SCREW D=6.5 H=3.2		*		1
6	22657209	WIPER LINK, A		*		1
7	40009196	SUSPENSION SCREW		*		1
8	11110707	WIPER HINGE SCREW COLLAR		*		1
9	22657308	WIPER SPRING		*		1
10	NS6110310SP	NUT 11/64-40		*		1
11	11110400	WIPER RUBBER A		*		1
12	11110509	WIPER RUBBER B		*		1
13	11110301	WIPER SOLENOID		*		1
14	22957104	WIPER SOLENOID SHAFT		*		1
15	HA000590000	POWER SWITCH		*		1
16	HW200390000	ELECTRIC WIRE		*		0.1
17	HW500070000	2-CORE CABTYRE CORD		*		1.4
18	22657100	WIPER SOLENOID BASE		*		1
19	WP0371016SD	WASHER 3.7X8X1				2
20	10209203	WIPER 3/32"-3/8	SELECTIVE PARTS			1
21	10209500	WIPER	SELECTIVE PARTS			1
22	10209807	WIPER	SELECTIVE PARTS			1
23	10209906	WIPER	SELECTIVE PARTS			1
24	HK03464000B	PIN CONTACT				2
25	SS4120615SP	SCREW 3/16-28 L=6				1
26	NS6090310SP	NUT 9/64-40				1
27	SD0500301SP	HINGE SCREW D= 5 H= 3				1
28	22657050	WIPER LINK ASM., 2				1
29	10208551	WIPER BASE ASM.				1
30	SS9111010SP	SCREW 11/64-40 L=9.5				2
31	RE0320000K0	E-RING 3.2				2
32	10208700	WIPER LINK SHAFT				1
33	SS3090520SP	SCREW 9/64-40 L=4.5				2

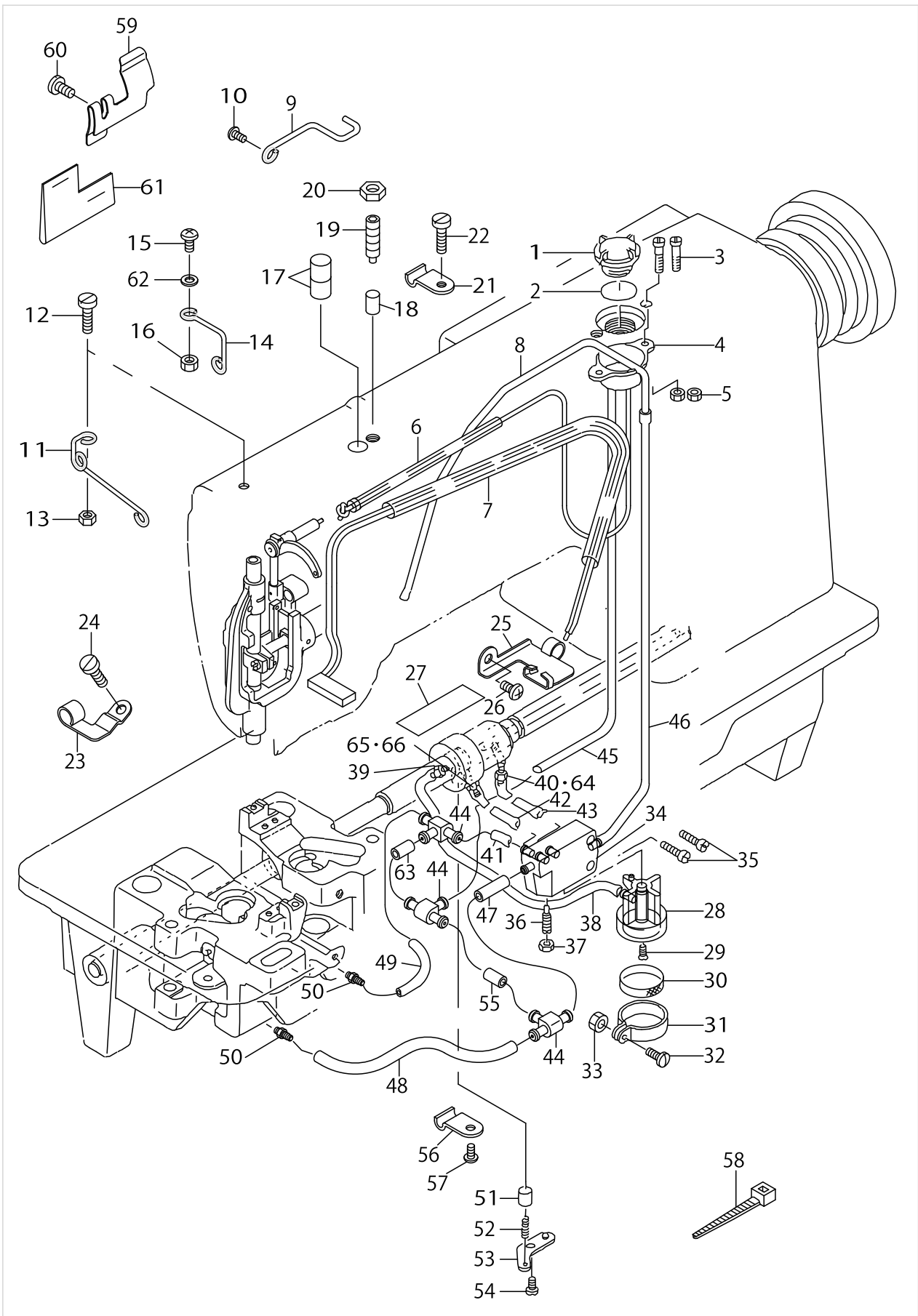
LUBRICATION COMPONENTS



LUBRICATION COMPONENTS

No.	Parts No.	Parts name	Remarks	Level	Cons	Qty
1	22924708	OIL SIGHT WINDOW				1
2	RO195240100	RUBBER RING				1
3	SS4111815SP	SCREW 11/64 L=18				2
4	10216703	OIL TANK				1
5	NS6110310SN	NUT 11/64-40				2
6	22620355	OIL PIPE ASM.				1
7	22620454	FELT ASM.				1
8	22620702	OIL TUBE				1
9	22620108	PIPE HOLDER, B				1
10	SS4110715SP	SCREW 11/64-40 L=7				1
11	22619209	OIL WICK GUIDE				1
12	SS6121610TP	SCREW 3/16-28 L=15.5				1
13	NS6120310SP	NUT 3/16-28				1
14	22620504	OIL WICK HOLDER				1
15	SS4111215SP	SCREW 11/64-40 L=12				1
16	NS6110420SP	NUT 11/64-40				1
17	B3517009000	OIL FELT REAR				2
18	22619415	OIL ADJUSTING SHAFT				1
19	SS8701782TP	SCREW 5/16-24 L=17.0				1
20	NS6700420SP	NUT 5/16-24				1
21	22620801	PIPE HOLDER				1
22	SS6111610SP	SCREW 11/64-40 L=16				1
23	40012577	PIPE HOLDER				1
24	SS4110615SP	SCREW 11/64-40 L=6				1
25	22619803	VILENE HOLDER				1
26	SS4110715SP	SCREW 11/64-40 L=7				1
27	22619605	VILENE				1
28	22619001	SUCTION				1
29	SS2110930SP	SCREW 11/64-40 L=8.7				1
30	B1851512000	FILTER SCREEN				1
31	B1850512000	BUSHING HOLDER				1
32	SS7090910SP	SCREW 9/64-40 L= 8.5				1
33	NS6090310SP	NUT 9/64-40				1
34	10623403	BASE				1
35	SS6111610SP	SCREW 11/64-40 L=16				2
36	B1834512000A	OIL ADJUSTING SCREW				1
37	NS6110310SP	NUT 11/64-40				1
38	23630007	TUBE				0.12
39	SQ1150451MZ	CONNECTING SCREW				1
40	SQ1110401MZ	CONNECTING SCREW	FOR LH-3168-7			1
41	23630007	TUBE				0.02
42	23630007	TUBE				0.08
43	23630007	TUBE				0.09
44	13765607	OIL CONNEC. ARM				3
45	23630007	TUBE				0.51
46	23630007	TUBE				0.4
47	23630007	TUBE				0.05

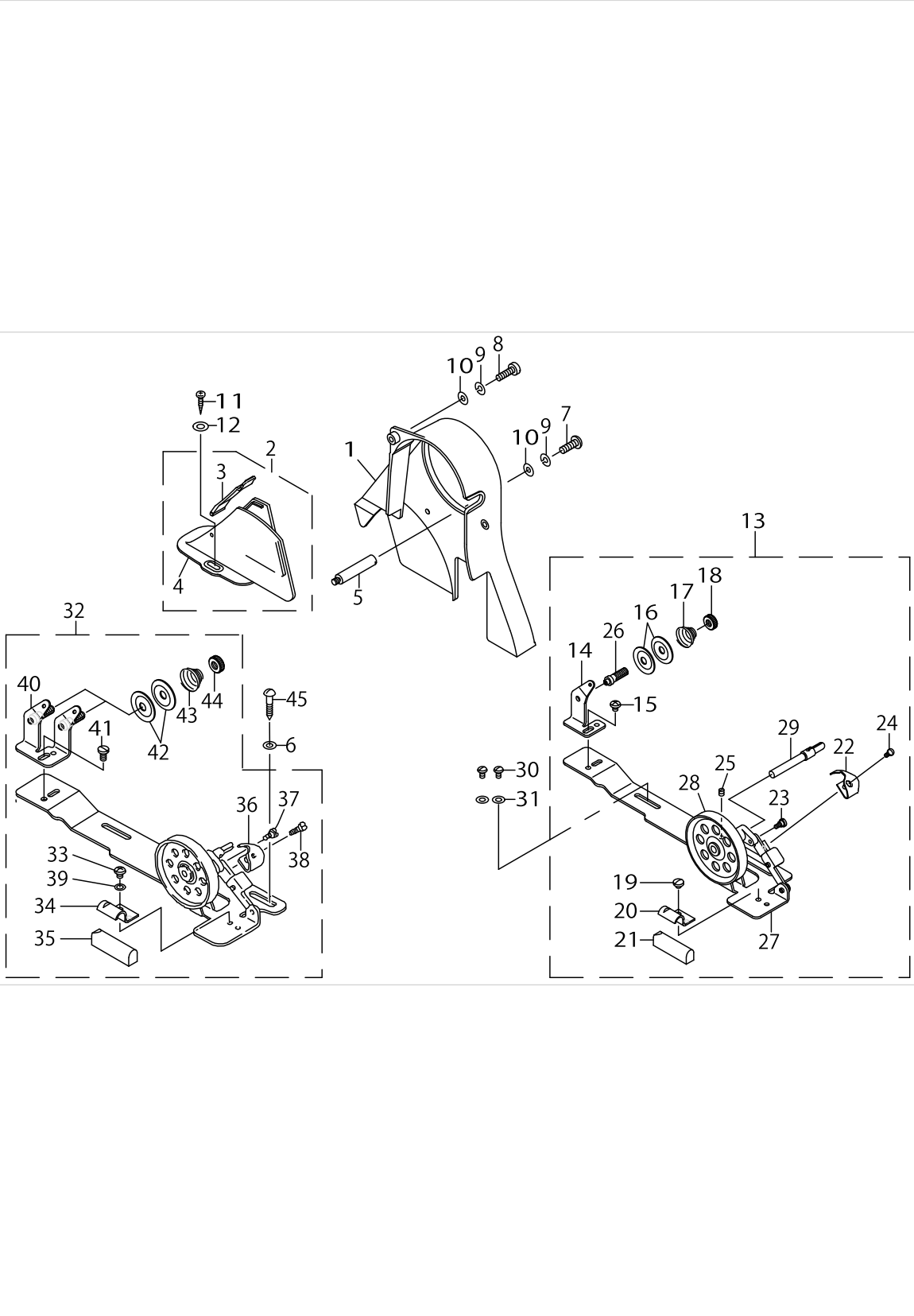
LUBRICATION COMPONENTS



LUBRICATION COMPONENTS

No.	Parts No.	Parts name	Remarks	Level	Cons	Qty
48	23630007	TUBE				0.21
49	23630007	TUBE				0.15
50	SQ1110401MZ	CONNECTING SCREW				2
51	B3534155000	PLUNGER				1
52	B1214038000	PLUNGER SPRING				1
53	B3524552000	PLUNGER THRUST PLATE				1
54	SS4110815SP	SCREW 11/64-40 L=8				1
55	23630007	TUBE				0.02
56	B3538112000	OIL RETURN TUBE HOLDER				1
57	SS4110815SP	SCREW 11/64-40 L=8				1
58	EA9500B0100	CABLE BAND				3
59	23204803	LUBRICATING GUIDE				1
60	SS7090610SP	SCREW 9/64-40 L=6				1
61	22686455	NEEDLE BAR				1
62	B3534012000	GASKET				1
63	23630007	TUBE				0.02
64	22619704	OILING JOINT	FOR LH-3168			1
65	22619704	OILING JOINT	FOR LH-3168-7			1
66	SQ1110401MZ	CONNECTING SCREW	FOR LH-3168			1

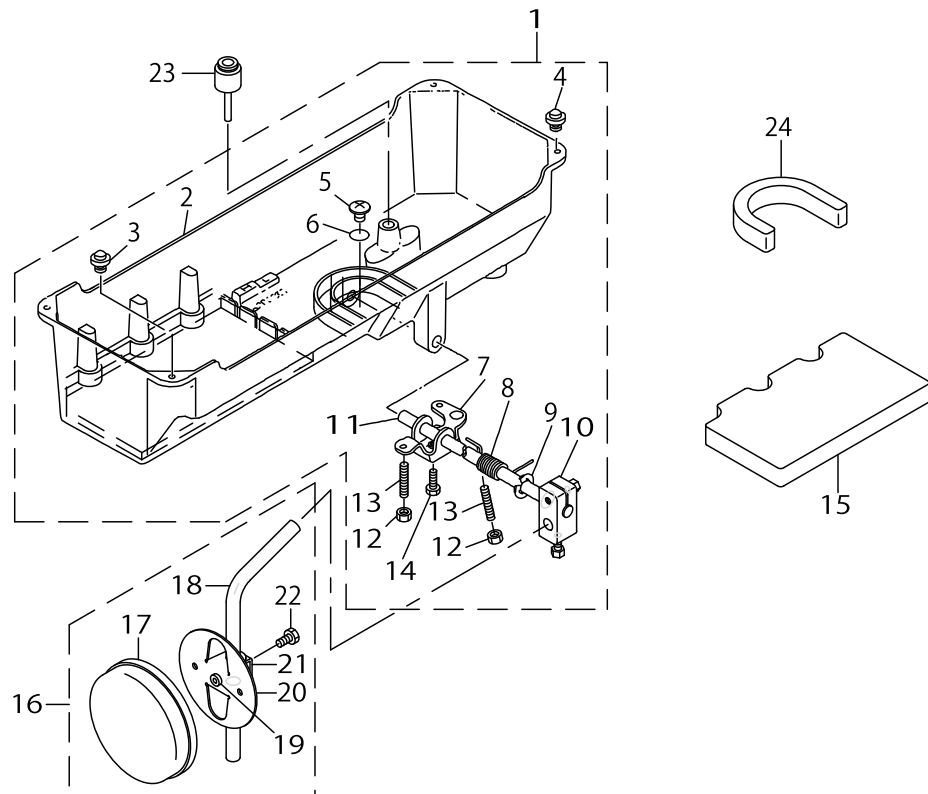
BELT COVER & BOBBIN WINDER COMPONENTS



BELT COVER & BOBBIN WINDER COMPONENTS

No.	Parts No.	Parts name	Remarks	Level	Cons	Qty
1	22603401	BELT COVER A ASM.				1
2	11076858	BELT COVER B ASM.				1
3	11076957	BELT COVER B CAP ASM.		*		1
4	11076809	BELT COVER B		*		1
5	B8233555000	BELT COVER SUPPORT STUD				2
6	WP0501016SC	WASHER 5X10.5X1				2
7	SS4111215SP	SCREW 11/64-40 L=12				2
8	SS6121610TP	SCREW 3/16-28 L=15.5				1
9	WS0451040KP	SPRING WASHER 4.5X8.5X1				3
10	WP0501016SD	WASHER 5X10.5X1				3
11	SK3412000SC	WOOD SCREW D=4.1 L=20				2
12	WP0501016SC	WASHER 5X10.5X1				2
13	22927354	BOBBIN WINDER COMPL.				1
14	22928501	THREAD TENSION POST BASE		*		1
15	SS4110515SP	SCREW 11/64-40 L=5		*		1
16	22928907	THREAD TENSION DISK		*		2
17	22929004	THREAD TENSION SPRING		*		1
18	22928808	NUT		*		1
19	SS7110350SP	SCREW 11/64-40 L=3.5		*		1
20	22928402	CONTROL RUBBER HOLDING PLATE		*		1
21	22928303	CONTROL RUBBER		*		1
22	22928105	BOBBIN PRESSER		*		1
23	SD0490261SP	HINGE SCREW D=4.9 H=2.6		*		1
24	SS7081310SP	SCREW 1/8-44 L=12.5		*		1
25	SS8110510SP	SCREW 11/64-40 L=5		*		1
26	22928709	THREAD TENSION POST		*		1
27	22927305	BOBBIN WINDER BASE		*		1
28	22927404	BOBBIN WINDER		*		1
29	22927602	BOBBIN WINDER SPINDLE		*		1
30	SK3482500SC	WOOD SCREW D=4.8 L=25				2
31	WP0501016SC	WASHER 5X10.5X1				2
32	22621155	THREAD WINDER ASM.	FOR JE			1
33	SS4110515SP	SCREW 11/64-40 L=5		*		1
34	22928402	CONTROL RUBBER HOLDING PLATE		*		1
35	22928303	CONTROL RUBBER		*		1
36	22621106	BOBBIN PRESSER		*		1
37	SD0490261SP	HINGE SCREW D=4.9 H=2.6		*		1
38	SS7081310SP	SCREW 1/8-44 L=12.5		*		1
39	WP0480856SP	WASHER 4.8X8.4X0.8		*		1
40	22621056	TENSION BAR BASE		*		1
41	SS7110840SP	SCREW 11/64-40 L=7.8		*		1
42	22928907	THREAD TENSION DISK		*		4
43	22929004	THREAD TENSION SPRING		*		2
44	22928808	NUT		*		2
45	SK3482500SC	WOOD SCREW D=4.8 L=25				2

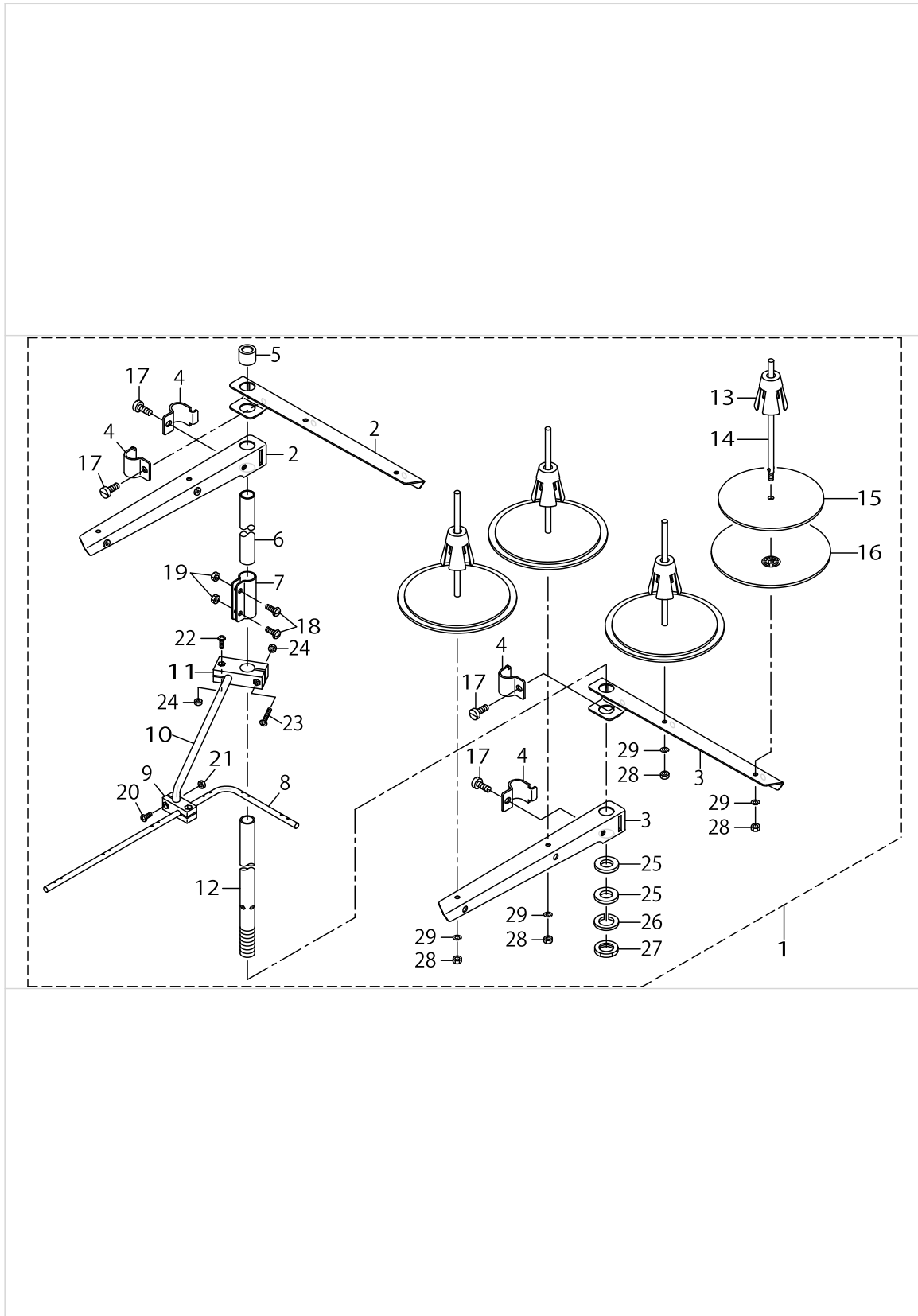
OIL RESERVOIR & KNEE LIFTER COMPONENTS



OIL RESERVOIR & KNEE LIFTER COMPONENTS

No.	Parts No.	Parts name	Remarks	Level	Cons	Qty
1	10162253	OIL RESERVOIR ASM.				1
2	10162204	OIL RESERVOIR		*		1
3	10162600	RUBBER CUSHION		*		2
4	11047107	RUBBER CUSHION		*		2
5	SM0081001SD	SCREW		*		1
6	RO098240100	RUBBER RING		*		1
7	11024015	CONNECTING ROT, VERTICAL		*		1
8	11024106	SPRING		*		1
9	RE1000000K0	E-RING 10		*		1
10	22932453	BRACKET ASM.		*		1
11	11024205	KNEE PRESS ROD		*		1
12	NM6060001SE	NUT M6		*		2
13	SM8063012TR	SCREW M6 L=30		*		2
14	SM9061853SR	SCREW M6 L=17.5		*		1
15	22622104	OIL RESERVOIR SPACER, B				1
16	22934251	KNEE PAD PLATE ASM.				1
17	22934509	KNEE PAD PLATE COVER		*		1
18	22934608	KNEE PAD UPRIGHT SHAFT		*		1
19	22934400	KNEE PAD PLATE RUBBER		*		1
20	22934202	KNEE PAD PLATE		*		1
21	22934301	KNEE PAD PLATE SUPPORT		*		1
22	SM9061203SE	SCREW M6 L=12		*		1
23	11024304	KNEE PRESS LIFTER ROD				1
24	22622005	OIL RESERVOIR SPACER, A				1

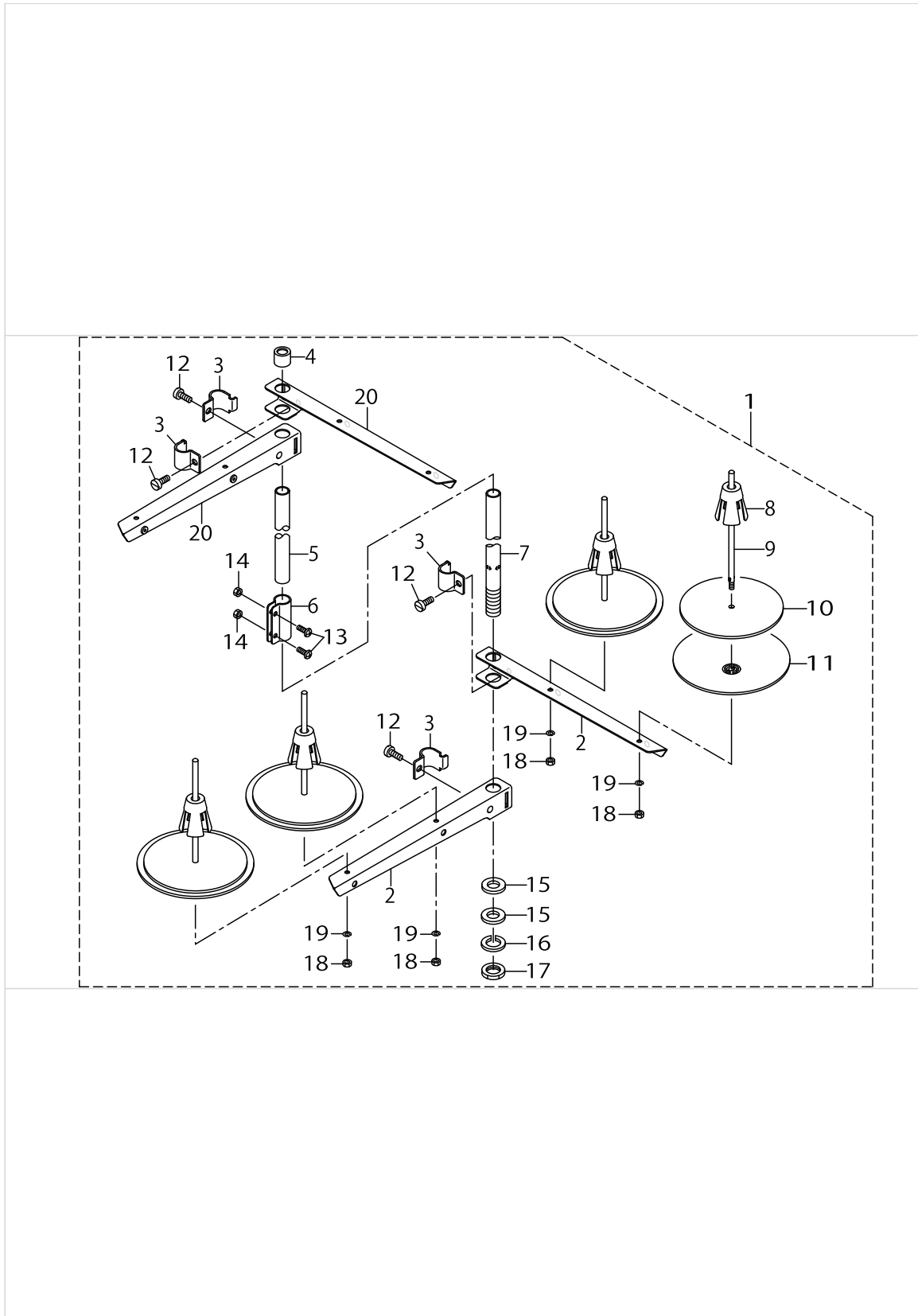
THREAD STAND COMPONENTS (1) (FOR USE IN JAPAN)



THREAD STAND COMPONENTS (1) (FOR USE IN JAPAN)

No.	Parts No.	Parts name	Remarks	Level	Cons	Qty
1	13167556	THREAD STANDING DEVICE ASM.				1
2	22930556	SPOOL REST ARM ASM.		*		2
3	22930507	SPOOL REST ARM		*		2
4	22930705	THREAD GUIDE ARM JOINT		*		4
5	22931406	THREAD STANDING ROD RUBBER CAP		*		1
6	22930408	THREAD STANDING ROD, UPPER		*		1
7	22931307	THREAD STANDING ROD JOINT		*		1
8	13167903	THREAD STANDING THREAD GUIDE		*		1
9	13168000	THREAD STANDING GUIDE BASE		*		1
10	13168109	THREAD STANDING GUIDE ARM		*		1
11	13168208	THREAD STANDING GUIDE ARM BASE		*		1
12	22930309	THREAD STANDING ROD, LOWER		*		1
13	22931109	SPOOL RETAINER		*		4
14	22931000	SPOOL PIN		*		4
15	22930903	SPOOL REST CUSHION		*		4
16	22930804	SPOOL REST		*		4
17	SM6061610SC	SCREW M6 L=16		*		4
18	SM4051405SE	SCREW M5 L=14		*		2
19	NM6050001SE	NUT M5		*		2
20	SM4041001SC	SCREW M4X0.7 L=10		*		2
21	NM6040002SE	NUT M4X0.7		*		2
22	SM4041201SC	SCREW M4 L=12		*		1
23	SM4042001SC	SCREW M4 X 20		*		1
24	NM6040002SE	NUT M4X0.7		*		2
25	WP1612616SE	WASHER 16X30X2.6		*		2
26	WS1643202KR	SPRING WASHER		*		1
27	NM6160511SE	NUT M16X1.5		*		1
28	NM6050001SE	NUT M5		*		4
29	WS0510002KN	SPRING WASHER		*		4


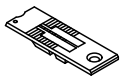
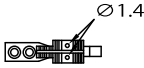
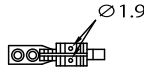
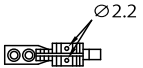
THREAD STAND COMPONENTS (2) (EXCEPT USE IN JAPAN)

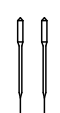
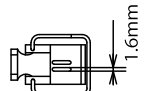
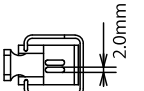
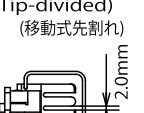


THREAD STAND COMPONENTS (2) (EXCEPT USE IN JAPAN)

No.	Parts No.	Parts name	Remarks	Level	Cons	Qty
1	26910158	THREAD STANDING DEVICE ASM.				1
2	22930507	SPOOL REST ARM		*		2
3	22930705	THREAD GUIDE ARM JOINT		*		4
4	22931406	SPOOL REST ROD RUBBER CAP		*		1
5	22930408	SPOOL REST ROD, UPPER		*		1
6	22931307	SPOOL REST ROD JOINT		*		1
7	22930309	SPOOL REST ROD, LOWER		*		1
8	22931109	SPOOL RETAINER		*		4
9	22931000	SPOOL PIN		*		4
10	22930903	SPOOL REST CUSHION		*		4
11	22930804	SPOOL REST		*		4
12	SM6061610SC	SCREW M6 L=16		*		4
13	SM4051405SE	SCREW M5 L=14		*		2
14	NM6050001SE	NUT M5		*		2
15	WP1612616SE	WASHER 16X30X2.6		*		2
16	WS1643202KR	SPRING WASHER		*		1
17	NM6160511SE	NUT M16X1.5		*		1
18	NM6050001SE	NUT M5		*		4
19	WS0510002KN	SPRING WASHER		*		4
20	22930556	THREAD STANDING ARM ASM.		*		2

TABLE OF EXCHANGING GAUGE PARTS (1)

Needle gauge size 針 幅			Throat plate 針 板		Feed dog 送 り 歯						
Code コード											
	inch	mm	Ref.No.	Part No.	Ref.No.	Part No.	Ref.No.	Part No.	Ref.No.	Part No.	
B	1/8	3.2	1	226-25107	13	226-30107					
C	5/32	4.4	2	226-25206	14	226-35205	25	226-30206			
D	3/16	4.8	3	226-25305	15	226-35304	26	226-30404	36	B1613-512-DOH	
E	7/32	5.6	4	226-25404	16	226-35403	27	226-30503	37	B1613-512-EOH	
F	1/4	6.4	5	226-25503	17	226-35502	28	226-30602	38	B1613-512-FOH	
G	9/32	7.1	6	226-25602	18	226-35700	29	226-30800	39	B1613-512-GOH	
H	5/16	7.9	7	226-25701	19	226-35809	30	226-30909	40	B1613-512-HOH	
K	3/8	9.5	8	226-25800	20	226-35908	31	226-31006	41	B1613-512-KOH	
L	1/2	12.7	9	226-26006	21	226-36203	32	226-31303	42	B1613-512-LOH	
M	5/8	15.9	10	226-26105	22	226-36302	33	226-31402	43	B1613-512-MOH	
N	3/4	19.1	11	226-26204	23	226-36401	34	226-31501	44	B1613-512-NOH	
Q	1	25.4	12	226-26402	24	226-36708	35	226-31808	45	B1613-512-QOH	
Stitch spec. 縫 仕 様	S		Spec. common 仕 様 共 通					★			
	A					★					
	G									★	

Needle gauge size 針 幅			Presser Foot asm. 押 さ え (組)						
Code コード									
	inch	mm	Ref.No.	Part No.	Ref.No.	Part No.	Ref.No.	Part No.	
B	1/8	3.2	46	226-37656					
C	5/32	4.4	47	226-37755	58	101-52650			
D	3/16	4.8	48	226-37854	59	101-52759	69	226-40353	
E	7/32	5.6	49	226-37953	60	101-52858	70	226-40452	
F	1/4	6.4	50	226-38050	61	101-52957	71	226-40551	
G	9/32	7.1	51	226-38258	62	101-53054	72	226-40759	
H	5/16	7.9	52	226-38357	63	101-53153	73	226-40858	
K	3/8	9.5	53	226-38456	64	101-53252	74	226-40957	
L	1/2	12.7	54	226-38753	65	101-53450	75	226-41252	
M	5/8	15.9	55	226-38852	66	101-53559	76	226-41351	
N	3/4	19.1	56	226-38951	67	101-53658	77	226-41450	
Q	1	25.4	57	226-39256	68	101-53856	78	226-41757	
Stitch spec. 縫 仕 様	S					★		☆	
	A		★						
	G					☆		★	


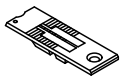
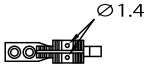
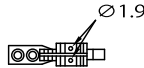
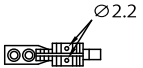
★ Standard spec.
☆ Substandard spec.
* Special order

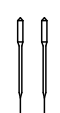
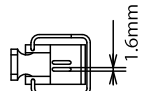
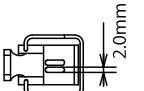
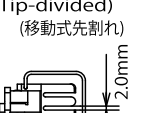
標準仕様
準標準仕様
特別注文

TABLE OF EXCHANGING GAUGE PARTS (1)

No.	Parts No.	Parts name	Remarks	Level	Cons	Qty
1	22625107	THROAT PLATE 1/8" (3.2MM)				1
2	22625206	THROAT PLATE 5/32" (4MM)				1
3	22625305	THROAT PLATE 3/16" (4.8MM)				1
4	22625404	THROAT PLATE 7/32" (5.6MM)				1
5	22625503	THROAT PLATE 1/4				1
6	22625602	THROAT PLATE 9/32" (7.1MM)				1
7	22625701	THROAT PLATE 5/16" (7.9MM)				1
8	22625800	THROAT PLATE 3/8" (9.5MM)				1
9	22626006	THROAT PLATE 1/2" (12.7MM)				1
10	22626105	THROAT PLATE 5/8" (15.9MM)				1
11	22626204	THROAT PLATE 3/4" (19.1MM)				1
12	22626402	THROAT PLATE 1" (25.4MM)				1
13	22630107	FEED DOG 1/8" (3.2MM)				1
14	22635205	FEED DOG 5/32" (4.0MM)				1
15	22635304	FEED DOG 3/16" (4.8MM)				1
16	22635403	FEED DOG 7/32" (5.6MM)				1
17	22635502	FEED DOG 1/4" (6.4MM)				1
18	22635700	FEED DOG 9/32" (7.1MM)				1
19	22635809	FEED DOG 5/16" (7.9MM)				1
20	22635908	FEED DOG 3/8" (9.5MM)				1
21	22636203	FEED DOG 1/2" (12.7MM)				1
22	22636302	FEED DOG 5/8" (15.9MM)				1
23	22636401	FEED DOG 3/4" (19.1MM)				1
24	22636708	FEED DOG 1" (25.4MM)				1
25	22630206	FEED DOG 5/32" (4.0MM)				1
26	22630404	FEED DOG 3/16" (4.8MM)				1
27	22630503	FEED DOG 7/32" (5.6MM)				1
28	22630602	FEED DOG 1/4				1
29	22630800	FEED DOG 9/32" (7.1MM)				1
30	22630909	FEED DOG 5/16" (7.9MM)				1
31	22631006	FEED DOG 3/8" (9.5MM)				1
32	22631303	FEED DOG 1/2" (12.7MM)				1
33	22631402	FEED DOG 5/8" (15.9MM)				1
34	22631501	FEED DOG 3/4" (19.1MM)				1
35	22631808	FEED DOG 1" (25.4MM)				1
36	B1613512D0H	FEED DOG 3/16				1
37	B1613512E0H	FEED DOG 7/32				1
38	B1613512F0H	FEED DOG 1/4				1
39	B1613512G0H	FEED DOG 9/32				1
40	B1613512H0H	FEED DOG 5/16				1
41	B1613512K0H	FEED DOG 3/8				1
42	B1613512L0H	FEED DOG 1/2				1
43	B1613512M0H	FEED DOG 5/8				1
44	B1613512N0H	FEED DOG 3/4				1
45	B1613512Q0H	FEED DOG 1				1
46	22637656	PRESSER FOOT ASM.				1
47	22637755	PRESSER FOOT ASM.				1

TABLE OF EXCHANGING GAUGE PARTS (1)

Needle gauge size 針 幅			Throat plate 針 板		Feed dog 送 り 歯					
Code コード										
	inch	mm	Ref.No.	Part No.	Ref.No.	Part No.	Ref.No.	Part No.	Ref.No.	Part No.
B	1/8	3.2	1	226-25107	13	226-30107				
C	5/32	4.4	2	226-25206	14	226-35205	25	226-30206		
D	3/16	4.8	3	226-25305	15	226-35304	26	226-30404	36	B1613-512-DOH
E	7/32	5.6	4	226-25404	16	226-35403	27	226-30503	37	B1613-512-EOH
F	1/4	6.4	5	226-25503	17	226-35502	28	226-30602	38	B1613-512-FOH
G	9/32	7.1	6	226-25602	18	226-35700	29	226-30800	39	B1613-512-GOH
H	5/16	7.9	7	226-25701	19	226-35809	30	226-30909	40	B1613-512-HOH
K	3/8	9.5	8	226-25800	20	226-35908	31	226-31006	41	B1613-512-KOH
L	1/2	12.7	9	226-26006	21	226-36203	32	226-31303	42	B1613-512-LOH
M	5/8	15.9	10	226-26105	22	226-36302	33	226-31402	43	B1613-512-MOH
N	3/4	19.1	11	226-26204	23	226-36401	34	226-31501	44	B1613-512-NOH
Q	1	25.4	12	226-26402	24	226-36708	35	226-31808	45	B1613-512-QOH
Stitch spec. 縫仕様	S	Spec. common 仕様共通		★		★				
	A			★						
	G									★

Needle gauge size 針 幅			Presser Foot asm. 押 さ え(組)						
Code コード									
	inch	mm	Ref.No.	Part No.	Ref.No.	Part No.	Ref.No.	Part No.	
B	1/8	3.2	46	226-37656					
C	5/32	4.4	47	226-37755	58	101-52650			
D	3/16	4.8	48	226-37854	59	101-52759	69	226-40353	
E	7/32	5.6	49	226-37953	60	101-52858	70	226-40452	
F	1/4	6.4	50	226-38050	61	101-52957	71	226-40551	
G	9/32	7.1	51	226-38258	62	101-53054	72	226-40759	
H	5/16	7.9	52	226-38357	63	101-53153	73	226-40858	
K	3/8	9.5	53	226-38456	64	101-53252	74	226-40957	
L	1/2	12.7	54	226-38753	65	101-53450	75	226-41252	
M	5/8	15.9	55	226-38852	66	101-53559	76	226-41351	
N	3/4	19.1	56	226-38951	67	101-53658	77	226-41450	
Q	1	25.4	57	226-39256	68	101-53856	78	226-41757	
Stitch spec. 縫仕様	S			★		☆			
	A	★							
	G			☆		★			


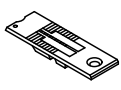
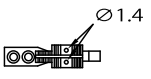
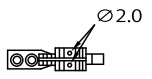
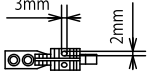
★ Standard spec.
☆ Substandard spec.
* Special order


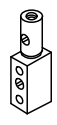
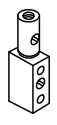
標準仕様
準標準仕様
特別注文

TABLE OF EXCHANGING GAUGE PARTS (1)

No.	Parts No.	Parts name	Remarks	Level	Cons	Qty
48	22637854	PRESSER FOOT ASM.				1
49	22637953	PRESSER FOOT ASM.				1
50	22638050	PRESSER FOOT ASM.				1
51	22638258	PRESSER FOOT ASM.				1
52	22638357	PRESSER FOOT ASM.				1
53	22638456	PRESSER FOOT ASM.				1
54	22638753	PRESSER FOOT ASM.				1
55	22638852	PRESSER FOOT ASM.				1
56	22638951	PRESSER FOOT ASM.				1
57	22639256	PRESSER FOOT ASM.				1
58	10152650	PRESSER FOOT ASM. 5/32				1
59	10152759	PRESSER FOOT ASM. 3/16				1
60	10152858	PRESSER FOOT ASM. 7/32				1
61	10152957	PRESSER FOOT ASM. 1/4				1
62	10153054	PRESSER FOOT ASM. 9/32				1
63	10153153	PRESSER FOOT ASM. 5/16				1
64	10153252	PRESSER FOOT ASM. 3/8				1
65	10153450	PRESSER FOOT ASM. 1/2				1
66	10153559	PRESSER FOOT ASM. 5/8				1
67	10153658	PRESSER FOOT ASM. 3/4				1
68	10153856	PRESSER FOOT ASM. 1				1
69	22640353	PRESSER FOOT ASM.				1
70	22640452	PRESSER FOOT ASM.				1
71	22640551	PRESSER FOOT ASM.				1
72	22640759	PRESSER FOOT ASM.				1
73	22640858	PRESSER FOOT ASM.				1
74	22640957	PRESSER FOOT ASM.				1
75	22641252	PRESSER FOOT ASM.				1
76	22641351	PRESSER FOOT ASM.				1
77	22641450	PRESSER FOOT ASM.				1
78	22641757	PRESSER FOOT ASM.				1

TABLE OF EXCHANGING GAUGE PARTS (2)

Needle gauge size 針 幅			Throat plate (with Thread Trimmer) 針板(糸切付)		Feed dog(with Thread Trimmer) 送 り 歯(糸切付)					
Code コード										
	inch	mm	Ref.No.	Part No.	Ref.No.	Part No.	Ref.No.	Part No.	Ref.No.	Part No.
B	1/8	3.2	1	226-60203	13	226-65103				
C	5/32	4.4	2	226-60302	14	226-65202	25	102-37907		
D	3/16	4.8	3	226-60401	15	226-65301	26	102-38004	36	102-39101
E	7/32	5.6	4	226-60500	16	226-65400	27	102-38103	37	102-39200
F	1/4	6.4	5	226-60609	17	226-65509	28	102-38202	38	102-39309
G	9/32	7.1	6	226-60708	18	226-65707	29	102-38301	39	102-39408
H	5/16	7.9	7	226-60807	19	226-65806	30	102-38400	40	102-39507
K	3/8	9.5	8	226-60906	20	226-65905	31	102-38509	41	102-39606
L	1/2	12.7	9	226-61102	21	226-66200	32	102-38707	42	102-39804
M	5/8	15.9	10	226-61201	22	226-66309	33	102-38806	43	102-39903
N	3/4	19.1	11	226-61300	23	226-66408	34	102-38905	44	101-71106
Q	1	25.4	12	226-61508	24	226-66705	35	102-39002	45	101-71304
Stitch spec. 縫仕様			S	Spec. common 仕様共通			★			
			A		★					
			G						★	


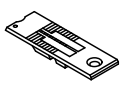
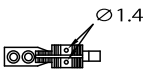
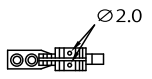
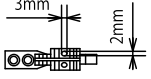
Needle gauge size 針 幅			Needle clamp asm. Left 針 留(組)左		Needle clamp asm. Right 針 留(組)右	
Code コード						
	inch	mm	Ref.No.	Part No.	Ref.No.	Part No.
B	1/8	3.2	46	B1402-528-BA0-A	58	B1402-528-BA0-A
C	5/32	4.4	47	B1402-528-CA0-A	59	B1402-528-CA0-A
D	3/16	4.8	48	B1402-528-DAL-A	60	B1402-528-DAR-A
E	7/32	5.6	49	B1402-528-EAL	61	B1402-528-EAR
F	1/4	6.4	50	B1402-528-FAL-A	62	B1402-528-FAR-A
G	9/32	7.1	51	B1402-528-GAL	63	B1402-528-GAR
H	5/16	7.9	52	B1402-528-HAL-A	64	B1402-528-HAR-A
K	3/8	9.5	53	B1402-528-KAL-A	65	B1402-528-KAR-A
L	1/2	12.7	54	B1402-528-LAL	66	B1402-528-LAR
M	5/8	15.9	55	B1402-528-MAL	67	B1402-528-MAR
N	3/4	19.1	56	B1402-528-NAL	68	B1402-528-NAR
Q	1	25.4	57	B1402-528-QAL	69	B1402-528-QAR
Stitch spec. 縫仕様			S	Spec. common 仕様共通		
			A			
			G			


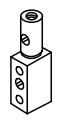
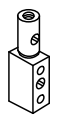
- ★ Standard spec. 標準仕様
- ☆ Substandard spec. 準標準仕様
- * Special order 特別注文

TABLE OF EXCHANGING GAUGE PARTS (2)

No.	Parts No.	Parts name	Remarks	Level	Cons	Qty
1	22660203	THROAT PLATE 1/8				1
2	22660302	THROAT PLATE 5/32				1
3	22660401	THROAT PLATE 3/16				1
4	22660500	THROAT PLATE 7/32				1
5	22660609	THROAT PLATE 1/4				1
6	22660708	THROAT PLATE 9/32				1
7	22660807	THROAT PLATE 5/16				1
8	22660906	THROAT PLATE 3/8				1
9	22661102	THROAT PLATE 1/2				1
10	22661201	THROAT PLATE 5/8				1
11	22661300	THROAT PLATE 3/4				1
12	22661508	THROAT PLATE 1				1
13	22665103	FEED DOG 1/8				1
14	22665202	FEED DOG				1
15	22665301	FEED DOG 3/16				1
16	22665400	FEED DOG				1
17	22665509	FEED DOG 1/4				1
18	22665707	FEED DOG				1
19	22665806	FEED DOG 5/16				1
20	22665905	FEED DOG				1
21	22666200	FEED DOG 1/2				1
22	22666309	FEED DOG 5/8				1
23	22666408	FEED DOG				1
24	22666705	FEED DOG				1
25	10237907	FEED DOG 5/32				1
26	10238004	FEED DOG 3/16				1
27	10238103	FEED DOG 7/32				1
28	10238202	FEED DOG 1/4				1
29	10238301	FEED DOG 9/32				1
30	10238400	FEED DOG 5/16				1
31	10238509	FEED DOG 3/8				1
32	10238707	FEED DOG 1/2				1
33	10238806	FEED DOG				1
34	10238905	FEED DOG 3/4				1
35	10239002	FEED DOG 1				1
36	10239101	FEED DOG 3/16				1
37	10239200	FEED DOG 7/32				1
38	10239309	FEED DOG 1/4				1
39	10239408	FEED DOG 9/32				1
40	10239507	FEED DOG 5/16				1
41	10239606	FEED DOG 3/8				1
42	10239804	FEED DOG 1/2				1
43	10239903	FEED DOG				1
44	10171106	FEED DOG 3/4				1
45	10171304	FEED DOG 1				1
46	B1402528BA0A	NEEDLE CLAMP ASM. 1/8				1
47	B1402528CA0A	NEEDLE CLAMP ASM. 5/32				1

TABLE OF EXCHANGING GAUGE PARTS (2)

Needle gauge size 針 幅			Throat plate (with Thread Trimmer) 針板(糸切付)		Feed dog(with Thread Trimmer) 送り 歯(糸切付)					
Code コード										
	inch	mm	Ref.No.	Part No.	Ref.No.	Part No.	Ref.No.	Part No.	Ref.No.	Part No.
B	1/8	3.2	1	226-60203	13	226-65103				
C	5/32	4.4	2	226-60302	14	226-65202	25	102-37907		
D	3/16	4.8	3	226-60401	15	226-65301	26	102-38004	36	102-39101
E	7/32	5.6	4	226-60500	16	226-65400	27	102-38103	37	102-39200
F	1/4	6.4	5	226-60609	17	226-65509	28	102-38202	38	102-39309
G	9/32	7.1	6	226-60708	18	226-65707	29	102-38301	39	102-39408
H	5/16	7.9	7	226-60807	19	226-65806	30	102-38400	40	102-39507
K	3/8	9.5	8	226-60906	20	226-65905	31	102-38509	41	102-39606
L	1/2	12.7	9	226-61102	21	226-66200	32	102-38707	42	102-39804
M	5/8	15.9	10	226-61201	22	226-66309	33	102-38806	43	102-39903
N	3/4	19.1	11	226-61300	23	226-66408	34	102-38905	44	101-71106
Q	1	25.4	12	226-61508	24	226-66705	35	102-39002	45	101-71304
Stitch spec. 縫仕様			S	Spec. common 仕様共通			★			
			A		★					
			G						★	


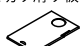


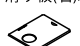
Needle gauge size 針 幅			Needle clamp asm. Left 針 留(組)左		Needle clamp asm. Right 針 留(組)右	
Code コード						
	inch	mm	Ref.No.	Part No.	Ref.No.	Part No.
B	1/8	3.2	46	B1402-528-BA0-A	58	B1402-528-BA0-A
C	5/32	4.4	47	B1402-528-CA0-A	59	B1402-528-CA0-A
D	3/16	4.8	48	B1402-528-DAL-A	60	B1402-528-DAR-A
E	7/32	5.6	49	B1402-528-EAL	61	B1402-528-EAR
F	1/4	6.4	50	B1402-528-FAL-A	62	B1402-528-FAR-A
G	9/32	7.1	51	B1402-528-GAL	63	B1402-528-GAR
H	5/16	7.9	52	B1402-528-HAL-A	64	B1402-528-HAR-A
K	3/8	9.5	53	B1402-528-KAL-A	65	B1402-528-KAR-A
L	1/2	12.7	54	B1402-528-LAL	66	B1402-528-LAR
M	5/8	15.9	55	B1402-528-MAL	67	B1402-528-MAR
N	3/4	19.1	56	B1402-528-NAL	68	B1402-528-NAR
Q	1	25.4	57	B1402-528-QAL	69	B1402-528-QAR
Stitch spec. 縫仕様			S	Spec. common 仕様共通		
			A			
			G			

- ★ Standard spec. 標準仕様
- ☆ Substandard spec. 準標準仕様
- * Special order 特別注文

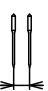
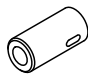
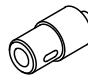
TABLE OF EXCHANGING GAUGE PARTS (2)

No.	Parts No.	Parts name	Remarks	Level	Cons	Qty
48	B1402528DALA	NEEDLE CLAMP ASM. LEFT				1
49	B1402528EAL	NEEDLE CLAMP ASM. 7/32				1
50	B1402528FALA	NEEDLE CLAMP ASM. 1/4				1
51	B1402528GAL	NEEDLE CLAMP ASM., LEFT				1
52	B1402528HALA	NEEDLE CLAMP ASM. 5/16				1
53	B1402528KALA	NEEDLE CLAMP ASM. 3/8				1
54	B1402528LAL	NEEDLE CLAMP ASM., LEFT 1/2				1
55	B1402528MAL	NEEDLE CLAMP ASM., LEFT 5/8				1
56	B1402528NAL	NEEDLE CLAMP ASM., LEFT 3/4				1
57	B1402528QAL	NEEDLE CLAMP ASM., LEFT 1				1
58	B1402528BA0A	NEEDLE CLAMP ASM. 1/8				1
59	B1402528CA0A	NEEDLE CLAMP ASM. 5/32				1
60	B1402528DARA	NEEDLE CLAMP ASM. RIGHT				1
61	B1402528EAR	NEEDLE CLAMP ASM. 7/32				1
62	B1402528FARA	NEEDLE CLAMP ASM. 1/4				1
63	B1402528GAR	NEEDLE CLAMP ASM., RIGHT				1
64	B1402528HARA	NEEDLE CLAMP ASM. 5/16				1
65	B1402528KARA	NEEDLE CLAMP ASM. 3/8				1
66	B1402528LAR	NEEDLE CLAMP ASM., RIGHT 1/2				1
67	B1402528MAR	NEEDLE CLAMP ASM., RIGHT 5/8				1
68	B1402528NAR	NEEDLE CLAMP ASM., RIGHT 3/4				1
69	B1402528QAR	NEEDLE CLAMP ASM., RIGHT 1				1

TABLE OF EXCHANGING GAUGE PARTS (3)

Needle gauge size 針 幅		Bed Slide asm. (with Tread Trimmer) 滑り板(組) (糸切り付)				Bed Slide asm. (without Tread Trimmer・Stitch spec.F) 滑り板 (組) (糸切り無・F仕様)				
Code コード			Bed Slide asm. (Left) 糸切り滑り板(左)組 		Bed Slide asm. (Right) 糸切り滑り板(右)組 		Bed Slide asm. (Left) 滑り板(左)組 		Bed Slide asm. (Right) 滑り板(右)組 	
	inch	mm	Ref.No.	Part No.	Ref.No.	Part No.	Ref.No.	Part No.	Ref.No.	Part No.
B S K	1/8 S 3/8	3.2 S 9.5	1	226-50857	4	226-50352	7	226-01058	10	226-00555
L S N	1/2 S 3/4	12.7 S 19.1	2	226-50956	5	226-50451	8	226-01157	11	226-00654
Q	1	25.4	3	226-51053	6	226-50550	9	226-01256	12	226-00753

下軸メタル

Needle gauge size 針 幅		Front Metal 前 メタル		Inner Metal 中 メタル		
Code コード						
	inch	mm	Ref.No.	Part No.	Ref.No.	Part No.
B S N	1/8 S 3/4	3.2 S 19.1	13	B1802-512-0A0-A	15	B1803-515-0A0
Q	1	25.4	14	B1802-512-0AB	16	101-12357

ワイパー



Needle gauge size 針 幅		Wiper ワイパー		
Code コード				
	inch	mm	Ref.No.	Part No.
B S K	2/8 S 3/8	3.2 S 9.5	17	102-09230
L S M	1/2 S 5/8	12.7 S 15.9	18	102-09500
N	3/4	19.1	19	102-09807
Q	1	25.4	20	102-09906

TABLE OF EXCHANGING GAUGE PARTS (3)

No.	Parts No.	Parts name	Remarks	Level	Cons	Qty
1	22650857	BED SLIDE LEFT, ASM., A				1
2	22650956	LEFT SLIDER PLATE B ASM.				1
3	22651053	BED SLIDE LEFT, ASM., C				1
4	22650352	BED SLIDE RIGHT, ASM., A				1
5	22650451	RIGHT SLIDER PLATE B ASM.				1
6	22650550	BED SLIDE RIGHT, ASM., C				1
7	22601058	BED SLIDE LEFT, ASM., A				1
8	22601157	LEFT SLIDER PLATE B ASM.				1
9	22601256	BED SLIDE LEFT, ASM., C				1
10	22600555	BED SLIDE RIGHT, ASM., A				1
11	22600654	RIGHT SLIDER PLATE B ASM.				1
12	22600753	BED SLIDE RIGHT, ASM., C				1
13	B18025120A0A	BUSHING ASM., FRONT				1
14	B18025120AB	BUSHING ASM., FRONT				1
15	B18035150A0	BUSHING ASM., INTERMEDIATE				1
16	10112357	BUSHING ASM. INTERMEDIATE				1
17	10209230	WIPER				1
18	10209500	WIPER				1
19	10209807	WIPER				1
20	10209906	WIPER				1

LIST FOR INFORMATION OF CHANGE

As to the place changed, refer to the corresponding Rev.No.
 When previous parts(Obsoleted part) and new parts(Added parts) are not interchangeable with each other:
 In this case, even obsoleted parts(D.) can be ordered with the obsoleted part number, so select the parts with changed dates and place your orders.

変更箇所は、該当Rev.No.版をご参照ください。
 部品の互換性がない変更の場合は、削除された品番でも、ご注文できます。

29139706
 No.0944-10・ Rev.No.

*A: Added parts 追加部品 / D: Obsoleted parts 削除部品 / E: Erratum 訂正

*	Rev.	Page	Ref.	Parts No.	*	Rev.	Page	Ref.	Parts No.
	No.	頁	No.	品番		No.	頁	No.	品番
D	09	6	4	232-04902					
D	09	6	5	226-06602					
D	09	6	6	PT-0502700-S0					

HOW TO MAKE USE OF THIS PARTS LIST

1.Explanation of codes

1)"*"mark.....means this part is changed from the previous parts book.

As to the details of the change, refer to the "List for information of change".

2)"#01".....refer to "Note" explanation at bottom of page.

2.Codes on the "Qty" column

- Each numeral indicates the number of parts required.
- "0.1" and "2.5" indicate the length (in meters) of the respective parts.

3.Parentheses mean that the corresponding part is a subpart that constructs an assembly part.

4.Dotted lines on the Figures indicate assembly parts.

1."注記"欄の記号説明

1) "*"印.....前回のパーツブックに比較して今回変更された部品を意味します。

変更内容は、"変更情報リスト"を参照してください。

2) "#01".....ページ下の"注記"の説明を参照してください。

2.数量欄の数字は、個数を表し、0.1、2.5等の数値は、長さ（単位メートル）を表します。

3.数量欄の（ ）は、組部品を構成している子部品であることを意味します。

4.イラストページの-----枠は、組構成であることを意味します。

NUMERICAL INDEX OF PARTS

PART NO	PAGE	REF NO.	PART NO	PAGE	REF NO.	PART NO	PAGE	REF NO.
10101004	2	3	10162204	44	2	10623403	38	34
10106102	24	48	10162253	44	1	10697506	12	36
10107902	22	37	10162600	44	3	10697605	12	44
10108009	22	13	10171106	54	44	10741106	12	11
10108512	16	1	10171304	54	45	11006202	26	7
10108611	16	11	10208551	36	29	11006350	26	6
10109908	20	55	10208700	36	32	11007309	26	8
10110500	18	86	10209203	36	20	11018108	26	20
10110500	20	86	10209230	58	17	11024015	44	7
10111201	20	66	10209500	36	21	11024106	44	8
10111508	18	1	10209500	58	18	11024205	44	11
10112001	16	6	10209807	36	22	11024304	44	23
10112357	58	16	10209807	58	19	11045101	12	12
10112407	20	56	10209906	36	23	11047107	44	4
10112803	18	48	10209906	58	20	11072402	12	14
10112803	20	48	10210805	18	2	11072501	34	2
10112902	18	50	10211407	30	6	11072709	36	2
10112902	20	50	10211605	30	2	11076809	42	4
10116051	30	3	10216703	38	4	11076858	42	2
10116606	30	23	10237907	54	25	11076957	42	3
10116705	30	40	10238004	54	26	11093606	12	13
10116754	30	37	10238103	54	27	11102100	34	5
10116804	30	15	10238202	22	34	11102209	34	6
10116903	30	35	10238202	54	28	11102308	34	11
10117109	30	24	10238301	54	29	11110301	36	13
10117208	30	18	10238400	54	30	11110400	36	11
10117851	32	55	10238509	54	31	11110509	36	12
10119105	34	18	10238707	54	32	11110707	36	8
10119204	34	19	10238806	54	33	11394509	26	24
10124204	12	10	10238905	54	34	11956802	12	22
10124303	12	15	10239002	54	35	13167556	46	1
10125201	26	16	10239101	54	36	13167903	46	8
10152650	52	58	10239200	54	37	13168000	46	9
10152759	52	59	10239309	54	38	13168109	46	10
10152858	52	60	10239408	54	39	13168208	46	11
10152957	26	44	10239507	54	40	13765607	38	44
10152957	52	61	10239606	54	41	22600555	2	42
10153054	52	62	10239804	54	42	22600555	58	10
10153153	52	63	10239903	54	43	22600654	58	11
10153252	52	64	10315208	24	60	22600753	58	12
10153450	52	65	10315455	24	61	22601058	2	38
10153559	52	66	10315505	24	54	22601058	58	7
10153658	52	67	10602902	2	2	22601157	58	8
10153856	52	68	10604809	6	29	22601256	58	9
10161305	34	17	10611457	16	14	22602007	2	17

NUMERICAL INDEX OF PARTS

PART NO	PAGE	REF NO.	PART NO	PAGE	REF NO.	PART NO	PAGE	REF NO.
22602601	4	46	22612204	18	29	22620355	38	6
22603013	2	25	22612303	18	49	22620454	38	7
22603112	2	27	22612303	20	49	22620504	38	14
22603203	2	29	22612501	18	51	22620702	38	8
22603401	42	1	22612501	20	51	22620801	26	32
22603609	4	48	22612709	18	35	22620801	38	21
22603708	4	49	22612907	18	87	22620900	2	14
22603906	6	30	22612907	20	87	22621056	42	40
22604003	6	41	22613004	20	71	22621106	42	36
22604300	6	43	22613103	20	69	22621155	42	32
22604409	6	37	22613400	18	6	22622005	44	24
22604508	6	17	22613509	20	54	22622104	44	15
22604607	6	33	22613608	16	13	22622351	6	31
22604656	6	32	22613905	20	68	22622401	6	10
22604904	6	42	22614101	20	65	22623102	16	19
22605307	6	2	22615009	18	16	22623201	6	15
22605356	6	1	22615108	20	75	22625107	50	1
22605406	6	7	22615207	18	17	22625206	50	2
22607006	10	74	22615306	18	14	22625305	50	3
22607105	10	78	22615454	20	74·83	22625404	50	4
22607204	10	79	22615462	20	74·83	22625503	2	40
22607303	10	72	22615702	18	12	22625503	50	5
22607402	10	73	22615801	18	10	22625602	50	6
22608103	26	10	22615959	18	9	22625701	50	7
22608152	26	5	22616254	18	8	22625800	50	8
22609002	24	26·52	22617005	26	34·47·48	22626006	50	9
22609101	22	29	22617104	26	23	22626105	50	10
22609200	22	25	22617609	12	30	22626204	50	11
22609309	24	56	22617708	12	24	22626402	50	12
22609408	22	43	22617807	12	23	22630107	50	13
22609606	24	55	22617906	12	17	22630206	50	25
22609705	22	36	22618102	12	6	22630404	50	26
22609754	22	35	22618201	12	4	22630503	50	27
22609804	16	8	22618300	12	5	22630602	22	33
22610000	22	6	22618706	12	43	22630602	50	28
22610109	22	2	22618805	12	31	22630800	50	29
22610208	22	4	22618904	12	27	22630909	50	30
22610307	22	8	22619001	38	28	22631006	50	31
22610406	22	23	22619100	2	11	22631303	50	32
22610505	22	16	22619209	38	11	22631402	50	33
22610604	22	9·10	22619415	38	18	22631501	50	34
22611651	16	21	22619605	38	27	22631808	50	35
22611701	16	20	22619704	40	65·66	22635205	50	14
22611909	16	23	22619803	38	25	22635304	50	15
22612055	20	67	22620108	38	9	22635403	50	16

NUMERICAL INDEX OF PARTS

PART NO	PAGE	REF NO.	PART NO	PAGE	REF NO.	PART NO	PAGE	REF NO.
22635502	50	17	22651608	6	44	22660609	54	5
22635700	50	18	22652002	22	26·52	22660708	54	6
22635809	50	19	22652101	22	9·10	22660807	54	7
22635908	50	20	22653000	18	46	22660906	54	8
22636203	50	21	22653158	18	13	22661102	54	9
22636302	50	22	22653307	18	47	22661201	54	10
22636401	50	23	22653505	20	72	22661300	54	11
22636708	50	24	22653604	20	70	22661508	54	12
22637656	50	46	22653802	18	36	22665103	54	13
22637755	50	47	22654008	32	61	22665202	54	14
22637854	52	48	22654107	30	31	22665301	54	15
22637953	52	49	22654206	30	5	22665400	54	16
22638050	52	50	22654255	30	4	22665509	54	17
22638258	52	51	22654305	32	53	22665707	54	18
22638357	52	52	22654404	30	44	22665806	54	19
22638456	52	53	22654503	32	48	22665905	54	20
22638753	52	54	22654552	30	47	22666200	54	21
22638852	52	55	22654602	32	49	22666309	54	22
22638951	52	56	22654800	30	14	22666408	54	23
22639256	52	57	22654909	26	25	22666705	54	24
22640353	52	69	22654958	26	22	22680003	2	32
22640452	52	70	22655005	32	60	22680250	2	20
22640551	52	71	22655104	30	22	22680656	6	11
22640759	52	72	22655153	30	20	22681316	8	26
22640858	52	73	22655302	30	11	22681407	8	24
22640957	52	74	22655401	30	10	22681506	8	25
22641252	52	75	22656003	34	41	22681712	8	8
22641351	52	76	22656102	34	33	22681803	8	15
22641450	52	77	22656201	34	32	22681951	8	10~14
22641757	52	78	22656300	34	28	22682058	8	10~14
22650055	2	45	22656409	34	27	22682157	8	10~14
22650055	4	45	22656508	34	4	22682256	8	10~14
22650352	2	43	22656557	34	1	22682355	8	10~14
22650352	58	4	22656607	34	12	22682504	8	42
22650451	58	5	22657050	36	28	22682652	8	1·2
22650550	58	6	22657100	36	18	22682702	8	7
22650857	2	39	22657159	36	1	22682850	8	9
22650857	58	1	22657209	36	6	22683007	10	55
22650956	58	2	22657308	36	9	22683056	10	49
22651053	58	3	22657803	4	54	22683106	10	53
22651202	4	53	22660203	54	1	22683205	10	51
22651459	4	47	22660302	54	2	22683304	10	52
22651509	6	21	22660401	54	3	22683403	10	56
22651558	6	20	22660500	54	4	22683502	10	62
22651566	6	19	22660609	2	41	22683601	10	64

NUMERICAL INDEX OF PARTS

PART NO	PAGE	REF NO.	PART NO	PAGE	REF NO.	PART NO	PAGE	REF NO.
22683809	10	54	22693253	8	28	22930705	46	4
22683908	10	60	22693352	8	37	22930705	48	3
22684005	10	61	22693451	8	1·2	22930804	46	16
22684104	10	57	22693857	18	37	22930804	48	11
22684203	10	59	22694707	20	79	22930903	46	15
22684609	10	67	22694806	20	77	22930903	48	10
22685101	8	30	22694855	20	76	22931000	46	14
22685150	8	29	22818009	4	51	22931000	48	9
22685168	8	46	22901805	2	34	22931109	46	13
22685200	8	40	22904155	24	50	22931109	48	8
22685309	8	39	22907109	26	43	22931307	46	7
22685358	8	38	22907505	26	36	22931307	48	6
22685366	8	47	22907604	26	37	22931406	46	5
22685408	8	41	22907703	26	38	22931406	48	4
22685705	10	69	22907802	26	1	22932453	44	10
22685804	8	21	22908552	26	4	22934202	44	20
22685903	8	17	22908800	26	15	22934251	44	16
22686000	8	20	22908909	26	13	22934301	44	21
22686158	8	23	22911804	22	18	22934400	44	19
22686455	40	61	22911903	22	21	22934509	44	17
22687008	14	62	22912000	22	20	22934608	44	18
22687107	14	60	22912109	22	19	22937965	6	28
22687305	14	51	22920201	26	19	22951552	2	8
22687453	12	47	22920706	2	23	22952501	34	37
22687503	14	55	22924708	38	1	22957104	36	14
22687602	14	58	22927305	42	27	23203805	6	5·6
22687701	14	56	22927354	42	13	23203904	6	5·6
22687800	14	52	22927404	42	28	23204506	8	4~6
22688006	18	52	22927602	42	29	23204605	8	4~6
22688006	20	52	22928105	42	22	23204704	8	4~6
22688055	18	28	22928303	42	35	23204803	40	59
22688105	18	43	22928402	42	34	23204951	8	3
22688154	18	38	22928501	42	14	23630007	38	63
22688204	18	44	22928709	42	26	23630007	40	63
22688253	18	19	22928808	42	44	26226209	34	40
22688402	18	85	22928907	42	42	26226407	34	39
22688402	20	85	22929004	42	43	26910158	48	1
22688501	18	39-40	22930309	46	12	40009196	36	7
22689053	12	9	22930309	48	7	40012461	30	26
22689061	12	1~3	22930408	46	6	40012577	38	23
22689103	12	41	22930408	48	5	40013657	20	84
22689202	14	66	22930507	46	3	40013658	20	88
22689301	14	65	22930507	48	2	40015144	10	66
22689558	12	1~3	22930556	46	2	40017058	26	41
22689657	12	1~3	22930556	48	20	40021415	4	60

NUMERICAL INDEX OF PARTS

PART NO	PAGE	REF NO.	PART NO	PAGE	REF NO.	PART NO	PAGE	REF NO.
40030133	28	34-47-48	B1613512F0H	50	38	BT0500300EA	24	64
40034204	26	11	B1613512G0H	50	39	CM300200101	4	58-59
40039672	28	34-47-48	B1613512H0H	50	40	CM3002001A1	4	58-59
B1104051000	2	31	B1613512K0H	50	41	CQ202000000	6	3
B1202512000	6	14	B1613512L0H	50	42	CQ202000000	20	63
B1214038000	40	52	B1613512M0H	50	43	CQ252000000	6	8
B1402528BA0A	54	58	B1613512N0H	50	44	CQ252000000	10	65
B1402528BA0A	56	58	B1613512Q0H	50	45	CQ252000000	24	51
B1402528CA0A	54	59	B1633470000	24	63	CQ505000000	6	12
B1402528CA0A	56	59	B1636581B00	22	30	CS070081BSH	30	33
B1402528DALA	56	48	B1653470000	24	65	CS102121ASH	22	11
B1402528DARA	56	60	B1705850000	10	63	CS1470710SH	30	29
B1402528EAL	56	49	B18025120A0A	16	2	CS1471012SH	16	16
B1402528EAR	56	61	B18025120A0A	58	13	D2112555B00	2	19
B1402528FALA	8	35	B18025120AB	58	14	D2427555B00B	30	42
B1402528FALA	56	50	B18035150A0	16	10	D2428555B00A	30	41
B1402528FARA	8	44	B18035150A0	58	15	D2430555B00	30	39
B1402528FARA	56	62	B1816512000	16	4	D2464555B00	34	22
B1402528GAL	56	51	B1820051000	20	58	D3129555D00	12	20
B1402528GAR	56	63	B1821051000	20	60	D3159555B00	26	26
B1402528HALA	56	52	B1822051000	20	61	D3163555B00A	26	30
B1402528HARA	56	64	B1823051000	20	64	D3164555B00	26	28
B1402528KALA	56	53	B1834512000A	38	36	D3171415B0H	18	11
B1402528KARA	56	65	B1850512000	38	31	EA9500B0100	32	65
B1402528LAL	56	54	B1851512000	38	30	EA9500B0100	40	58
B1402528LAR	56	66	B3041980000	32	59	HA000590000	36	15
B1402528MAL	56	55	B3112704000	12	21	HA001900000	34	10
B1402528MAR	56	67	B3114232000	12	18	HK034610140	32	57
B1402528NAL	56	56	B3126012000	12	16	HK03464000B	32	56
B1402528NAR	56	68	B3129012A00	12	19	HK03464000B	34	13
B1402528QAL	56	57	B31375270A0	12	32	HK03464000B	36	24
B1402528QAR	56	69	B3138527000	12	29	HW200390000	36	16
B1414512000	10	70	B3139527000	12	33	HW500070000	34	9
B1425526000	8	45	B3141527000	12	25	HW500070000	36	17
B1438512B00	10	71	B3142527000	12	34	M4002110000	6	22
B1449526000	12	40	B3143527000	12	35	M40071100AA	6	23
B1501581000	26	40	B3417051000	32	62	M40071100AB	6	24
B1505227T00A	26	39	B3418180000	30	17	M6043350AAA	4	55
B1515051000	30	46	B3517009000	38	17	MDP500B1400	10	68
B1521555000	26	2	B3524552000	40	53	NM6040002SE	46	24
B1603512000	22	46	B3534012000	40	62	NM6050001SE	46	28
B1604012000A	22	41	B3534155000	40	51	NM6050001SE	48	18
B1610512000	22	31	B3538112000	40	56	NM6050001SP	30	43
B1613512D0H	50	36	B8233555000	42	5	NM6060001SE	44	12
B1613512E0H	50	37	B9117051000	18	18	NM6160511SE	46	27

NUMERICAL INDEX OF PARTS

PART NO	PAGE	REF NO.	PART NO	PAGE	REF NO.	PART NO	PAGE	REF NO.
NM6160511SE	48	17	SD0870601SP	10	76	SS4111215SP	26	31
NS6080210SP	22	44	SD0900701TP	24	59	SS4111215SP	38	15
NS6090310SP	36	26	SK3412000SC	42	11	SS4111215SP	42	7
NS6090310SP	38	33	SK3482500SC	42	45	SS4111815SP	38	3
NS6110310SN	38	5	SL4030891SC	36	4	SS4120615SP	2	9
NS6110310SP	12	8	SM0081001SD	44	5	SS4120615SP	12	46
NS6110310SP	36	10	SM4031501SC	34	8	SS4120615SP	34	35
NS6110310SP	38	37	SM4040655SP	34	3	SS4120615SP	36	25
NS6110420SP	20	62	SM4041001SC	46	20	SS4120915SP	14	59
NS6110420SP	38	16	SM4041201SC	46	22	SS4121015SP	2	21
NS6120310SP	12	45	SM4042001SC	46	23	SS4153015SP	34	29
NS6120310SP	38	13	SM4051405SE	46	18	SS5090610SP	4	52
NS6150430SP	10	77	SM4051405SE	48	13	SS5090610SP	30	9
NS6620310SP	26	27	SM6061610SC	46	17	SS6060510TP	8	22
NS6680320SP	24	57	SM6061610SC	48	12	SS6080340SP	10	58
NS6700420SP	38	20	SM6082502TP	18	4	SS6080410SP	8	27
PS0300201KP	30	25	SM8040802SP	34	7	SS6081810SP	22	45
PS0600502KP	26	35	SM8050502TP	22	42	SS6090630SP	2	36
RE0320000K0	36	31	SM8063012TR	44	13	SS6090670TP	22	1
RE0400000K0	34	23	SM9061203SE	44	22	SS6090810SP	18	3
RE0500000K0	22	3	SM9061853SR	44	14	SS6110430TP	14	48
RE0500000K0	26	18	SQ1110401MZ	38	65-66	SS6111052TP	30	28
RE0500711KP	22	40	SQ1110401MZ	40	65-66	SS6111140SP	2	5
RE0700000K0	14	57	SQ11150451MZ	38	39	SS6111210SP	6	26
RE0900000K0	22	14	SS2080810SP	30	1	SS6111610SP	38	35
RE1000000K0	44	9	SS2090710TP	2	35	SS6120940SP	32	63
RO037180100	26	3	SS2110920TP	2	37	SS6121212TP	30	13
RO092270200	22	17	SS2110920TP	30	27	SS6121610TP	10	80
RO098240100	44	6	SS2110930SP	38	29	SS6121610TP	24	58
RO195240100	38	2	SS3090520SP	36	33	SS6121610TP	30	54
RO437200200	6	35	SS4090715SP	10	48	SS6121610TP	32	54
SB120000100	6	34	SS4090815SP	8	16	SS6121610TP	38	12
SD0470281SP	12	7	SS4110515SP	18	7	SS6121610TP	42	8
SD0490261SP	42	37	SS4110515SP	26	46	SS6121840SP	34	38
SD0500301SP	36	27	SS4110515SP	42	33	SS6121860SP	22	22
SD0600271SP	30	19	SS4110615SP	12	37	SS6151040SP	32	58
SD0600322SD	26	17	SS4110615SP	38	24	SS6151220SP	30	38
SD0601171SP	12	42	SS4110715SP	26	29	SS6151780SP	2	16
SD0640241SP	14	64	SS4110715SP	38	26	SS6152440SP	10	75
SD0640321SP	34	34	SS4110815SP	2	4	SS6153040SP	20	57
SD0640752TP	14	54	SS4110815SP	18	15	SS6560150SH	18	82
SD0650305TP	32	52	SS4110815SP	22	24	SS6560150SH	20	82
SD0650321TP	36	5	SS4110815SP	40	57	SS6580752TP	22	32
SD0720332SP	26	14	SS4111015SP	4	56	SS6661110SP	6	16
SD0800422CP	22	5	SS4111015SP	26	33	SS6661110SP	22	27

NUMERICAL INDEX OF PARTS

PART NO	PAGE	REF NO.	PART NO	PAGE	REF NO.
SS7060310SP	10	50	SS8660810TP	30	32
SS7081310SP	42	38	SS8680540SP	6	13
SS7090510SP	12	28	SS8680810TP	6	40
SS7090610SP	40	60	SS8681650TP	6	39
SS7090710SP	30	12	SS8701782TP	38	19
SS7090910SP	38	32	SS9080410SP	30	8
SS7090910TP	26	45	SS9110460CP	2	33
SS7110350SP	42	19	SS9110460CP	14	63
SS7110510SP	24	62	SS9111010SP	32	50
SS7110710SP	8	19	SS9111010SP	34	21
SS7110710SP	16	18	SS9111010SP	36	30
SS7110710SP	22	28	SS9151440CP	22	38
SS7110710SP	34	15	TA0500601M0	16	22
SS7110740TP	14	49	TA0750404R0	2	12
SS7110840SP	42	41	TA0750704R0	2	15
SS7110910SP	24	53	TA1250406R0	2	22
SS7111310TP	24	47	WP0371016SD	20	53
SS7111410TP	14	53	WP0371016SD	36	19
SS7111810SP	20	73	WP0450000SD	8	18
SS7120760SP	6	45	WP0450801SD	6	27
SS7120760SP	16	15	WP0450801SP	12	39
SS7120760SP	34	36	WP0480856SP	42	39
SS7120910SP	22	15	WP0501016SC	42	31
SS7121410SP	22	7	WP0501016SD	12	38
SS7151210SP	34	24	WP0501016SD	32	64
SS7151610SP	30	16	WP0501016SD	34	20
SS7681750TP	6	38	WP0501016SD	42	10
SS8080610SP	30	7	WP0612056SD	34	31
SS8110410TP	30	30	WP0621016SD	22	39
SS8110510SP	30	34	WP0621016SD	34	26
SS8110510SP	42	25	WP0753016SZ	30	36
SS8110520TP	14	50	WP0850002SP	18	5
SS8111010TP	30	21	WP1612616SE	46	25
SS8120740SP	2	24	WP1612616SE	48	15
SS8150410TP	4	57	WS0451040KP	42	9
SS8151150SP	4	50	WS0510002KN	46	29
SS8151150SP	16	12	WS0510002KN	48	19
SS8151150SP	24	49	WS0610002KP	34	30
SS8151150TP	6	9	WS0631510KP	34	25
SS8151550SP	6	25	WS1643202KR	46	26
SS8660530TP	6	36	WS1643202KR	48	16
SS8660530TP	16	24	WT0530002KS	2	10
SS8660610TP	22	12			
SS8660810TP	16	5			
SS8660810TP	26	42			