

MODEL : LH-3128-7/LH-3128

List No : 0942-09

# PARTS LIST

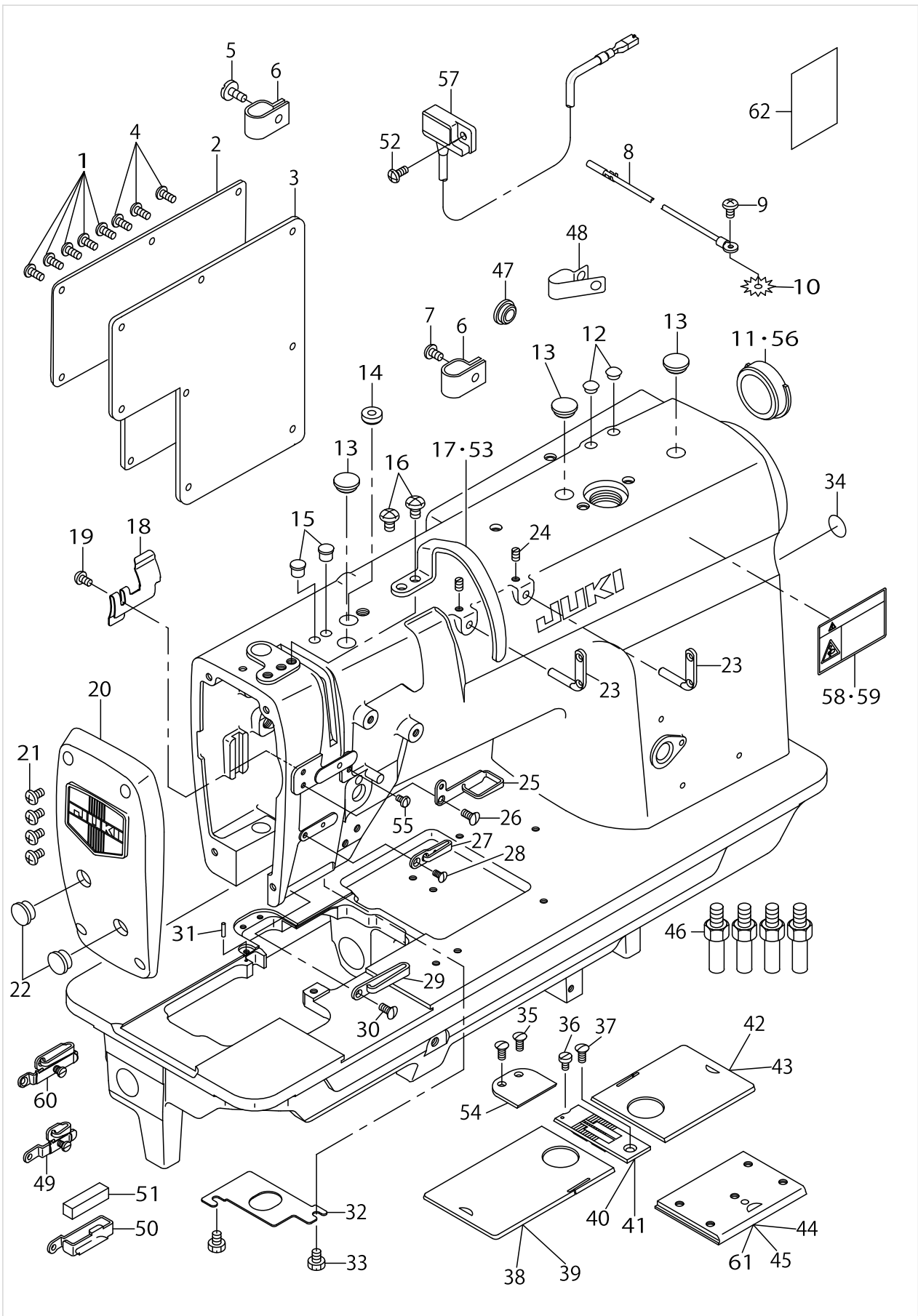
Published:09/22/2017

## CONTENTS

---

FRAME & MISCELLANEOUS COVER COMPONENTS .....	1
MAIN SHAFT, THREAD TAKE-UP & NEEDLE BAR COMPONENTS .....	5
TENSION POST COMPONENTS .....	9
HOOK & HOOK DRIVING SHAFT COMPONENTS .....	11
FEED MECHANISM COMPONENTS .....	15
PRESSER BAR & TENSION RELEASE COMPONENTS .....	19
THREAD TRIMMER MECHANISM COMPONENTS (FOR LH-3128-7) .....	23
AUTOMATIC REVERSE FEED MECHANISM COMPONENTS (FOR LH-3128-7) .....	27
WIPER MECHANISM COMPONENTS (FOR LH-3128-7) .....	29
LUBRICATION COMPONENTS .....	31
BELT COVER & BOBBIN WINDER COMPONENTS .....	35
OIL RESERVOI & KNEE LIFTER COMPONENTS .....	37
THREAD STAND COMPONENTS (1) (FOR USE IN JAPAN) .....	39
THREAD STAND COMPONENTS (2) (EXCEPT USE IN JAPAN) .....	41
LH-3128-7 EXCLUSIVE PARTS FOR BOBBIN THREAD CLAMPLESS TYPE .....	43
TABLE OF EXCHANGING GAUGE PARTS (1) .....	47
TABLE OF EXCHANGING GAUGE PARTS (2) .....	51
TABLE OF EXCHANGING GAUGE PARTS (3) .....	55
TABLE OF EXCHANGING GAUGE PARTS (4) .....	59
LIST FOR INFORMATION OF CHANGE .....	63

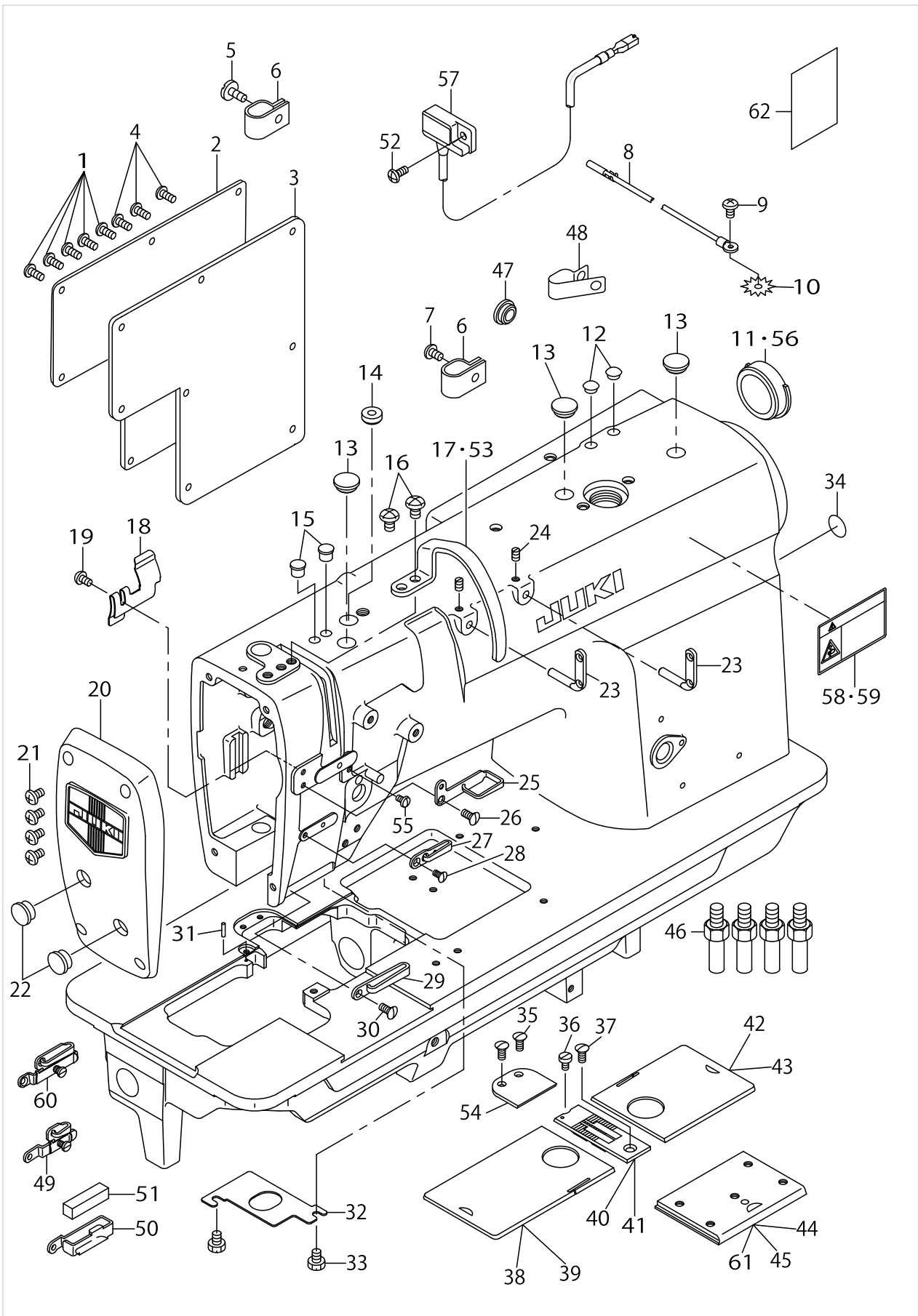
FRAME & MISCELLANEOUS COVER COMPONENTS



FRAME & MISCELLANEOUS COVER COMPONENTS

No.	Parts No.	Parts name	Remarks	Level	Cons	Qty
1	SS4110815SP	SCREW 11/64-40 L=8				5
2	10602902	SLIDE PLATE				1
3	10101004	GASKET				1
4	SS4110815SP	SCREW 11/64-40 L=8	FOR LH-3128			3
5	SS6111140SP	SCREW 11/64-40 L=11	FOR LH-3128-7			3
6	D2112555B00	CORD HOLDER, LARGE	FOR LH-3128-7			2
7	SS4120615SP	SCREW 3/16-28 L=6	FOR LH-3128-7			1
8	22951552	GROUND WIRE ASM.	FOR LH-3128-7			1
9	SS4120615SP	SCREW 3/16-28 L=6	FOR LH-3128-7			1
10	WT0530002KS	TOOTHED WASHER D=5.3	FOR LH-3128-7			1
11	22619100	CAP	FOR LH-3128			1
12	TA0750404R0	PLUG D=7.5 L=3.5	FOR LH-3128			2
13	TA1250406R0	RUBBER PLUG D=12.5 L=4				3
14	22620900	CAP				1
15	TA0750704R0	RUBBER PLUG				2
16	SS4150915SP	SCREW 15/64-28 L=9				2
17	22602007	THREAD TAKE-UP LEVER OIL GUARD	EXCEPT USE IN JAPAN & JE			1
18	23204803	LUBRICATING GUIDE				1
19	SS3090610SP	SCREW 9/64-40 L=6				1
20	22602254	FACE PLATE ASM.				1
21	SS4121015SP	SCREW 3/16-28 L=10				4
22	TA1250406R0	RUBBER PLUG D=12.5 L=4				2
23	22920706	TWO EYELET				2
24	SS8120740SP	SCREW 3/16-28 L=7				2
25	22603013	THREAD GUIDE (UPPER)				1
26	SS2090710TP	SCREW 9/64-40 L=7.2				1
27	22603112	THREAD GUIDE				1
28	SS2090710TP	SCREW 9/64-40 L=7.2				1
29	22603203	THREAD GUIDE(LOWER)	TYPE S,G			1
30	SS2090710TP	SCREW 9/64-40 L=7.2				1
31	B1104051000	THROAT PLATE PIN				1
32	22602304	PLATE				1
33	SS9110460CP	SCREW 11/64-40 L=4				2
34	22901805	GROUND MARK				1
35	SS2090710TP	SCREW 9/64-40 L=7.2				2
36	SS6090630SP	SCREW 9/64-40 L=6				1
37	SS2110920TP	SCREW 11/64-40 L=8.5				1
38	22601058	BED SLIDE LEFT, ASM., A	SELECTIVE PARTS FOR LH-3128			1
39	22650857	BED SLIDE LEFT, ASM., A	SELECTIVE PARTS FOR LH-3128-7			1
40	22625503	THROAT PLATE 1/4	EXCHANGING GAUGE PARTS FOR LH-3128(SEE P.27~33)			1
41	22660609	THROAT PLATE 1/4	EXCHANGING GAUGE PARTS FOR LH-3128-7(SEE P.27~33)			1
42	22600555	BED SLIDE RIGHT, ASM., A	SELECTIVE PARTS FOR LH-3128			1
43	22650352	BED SLIDE RIGHT, ASM., A	SELECTIVE PARTS FOR LH-3128-7			1
44	22650055	BED SLIDE ASM.	FOR LH-3128			1
45	22650055	BED SLIDE ASM.	FOR LH-3128-7			1
46	22602601	BED SCREW STUD				4

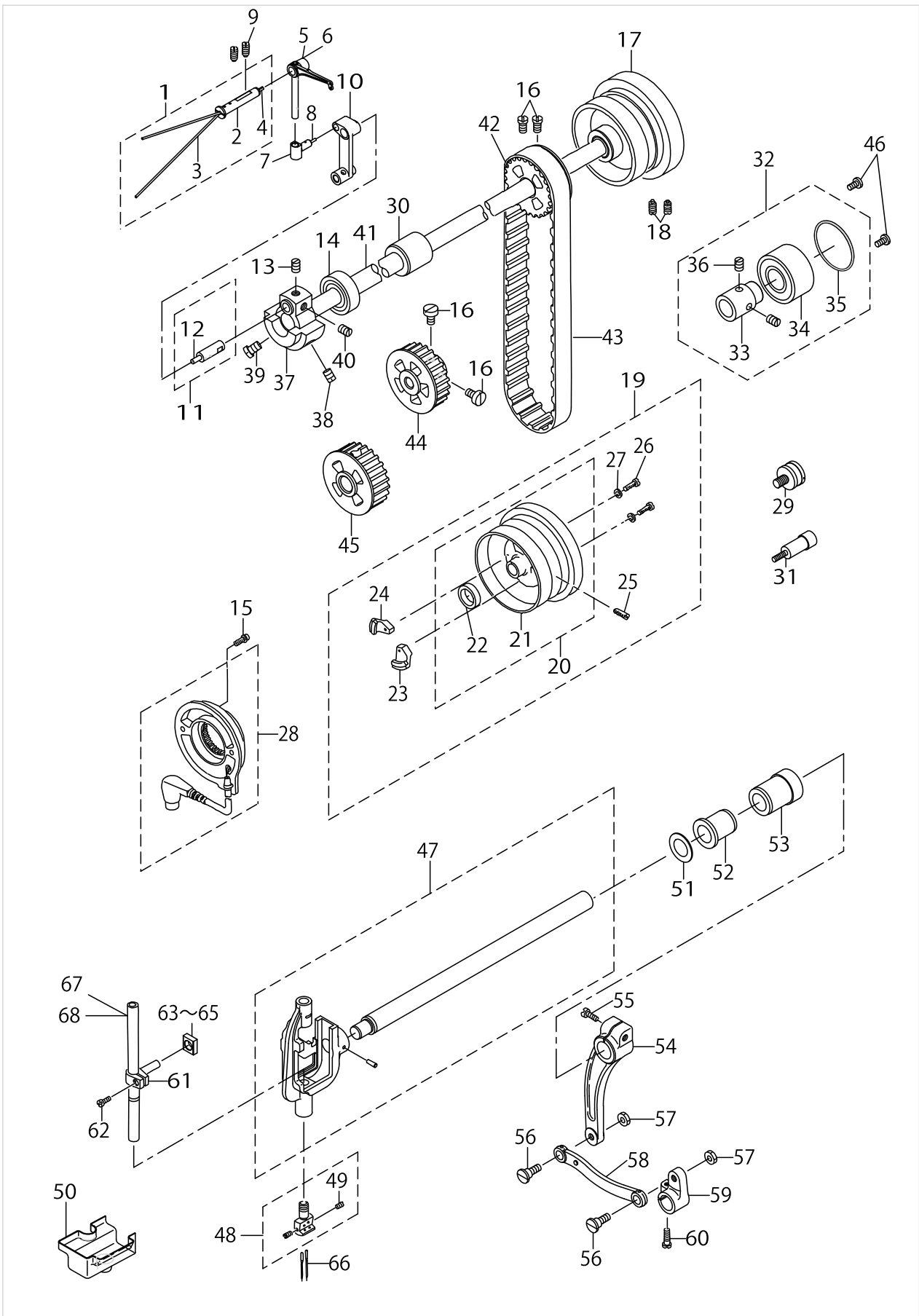
FRAME & MISCELLANEOUS COVER COMPONENTS



FRAME & MISCELLANEOUS COVER COMPONENTS

No.	Parts No.	Parts name	Remarks	Level	Cons	Qty
47	TA1250406R0	RUBBER PLUG D=12.5 L=4				1
48	D2112555B00	CORD HOLDER, LARGE	FOR LH-3128-7-WB, -WO, -OB			3
49	22651459	THREAD GUIDE ASM., E	OPTIONAL PARTS			1
50	22603609	THREAD GUIDE	TYPE A AND F FOR 7/16 OR LESS ONLY TYPE A FOR 7/16 OR LESS ONLY			1
51	22603708	FELT	TYPE A AND F FOR 7/16 OR LESS ONLY TYPE A FOR 7/16 OR LESS ONLY			1
52	SS4111015SP	SCREW 11/64-40 L=10	FOR LH-3128-7			1
53	22818009	BALANCE COVER(FOR JE)	FOR JE,USE IN JAPAN			1
54	22651202	AUXILIARY COVER				1
55	SS5090610SP	SCREW 9/64-40 L=6				1
56	22657803	RUBBER PLUG	FOR LH-3128-7			1
57	M6043350AAA	RESISTANCE PACK ASM.,AA	FOR LH-3128-7			1
58	CM3002001A1	SAFETY LABEL.,3 (SMALL).	EXCEPT USE IN JAPAN & JE			1
59	CM300200101	SAFETY LABEL, 1(SMALL).	FOR USE IN JAPAN			1
60	22811558	THREAD GUIDE F ASM.	TYPE A FOR 1/2 OR MORE ONLY			1
61	22608509	SLIDE PLATE FOR FOLDER	TYPE A FOR 1/2 OR MORE ONLY			1
62	40021415	INSTRUCTION MANUAL(SUPPLEMENT)	FOR CHINA			1

MAIN SHAFT, THREAD TAKE-UP & NEEDLE BAR COMPONENTS

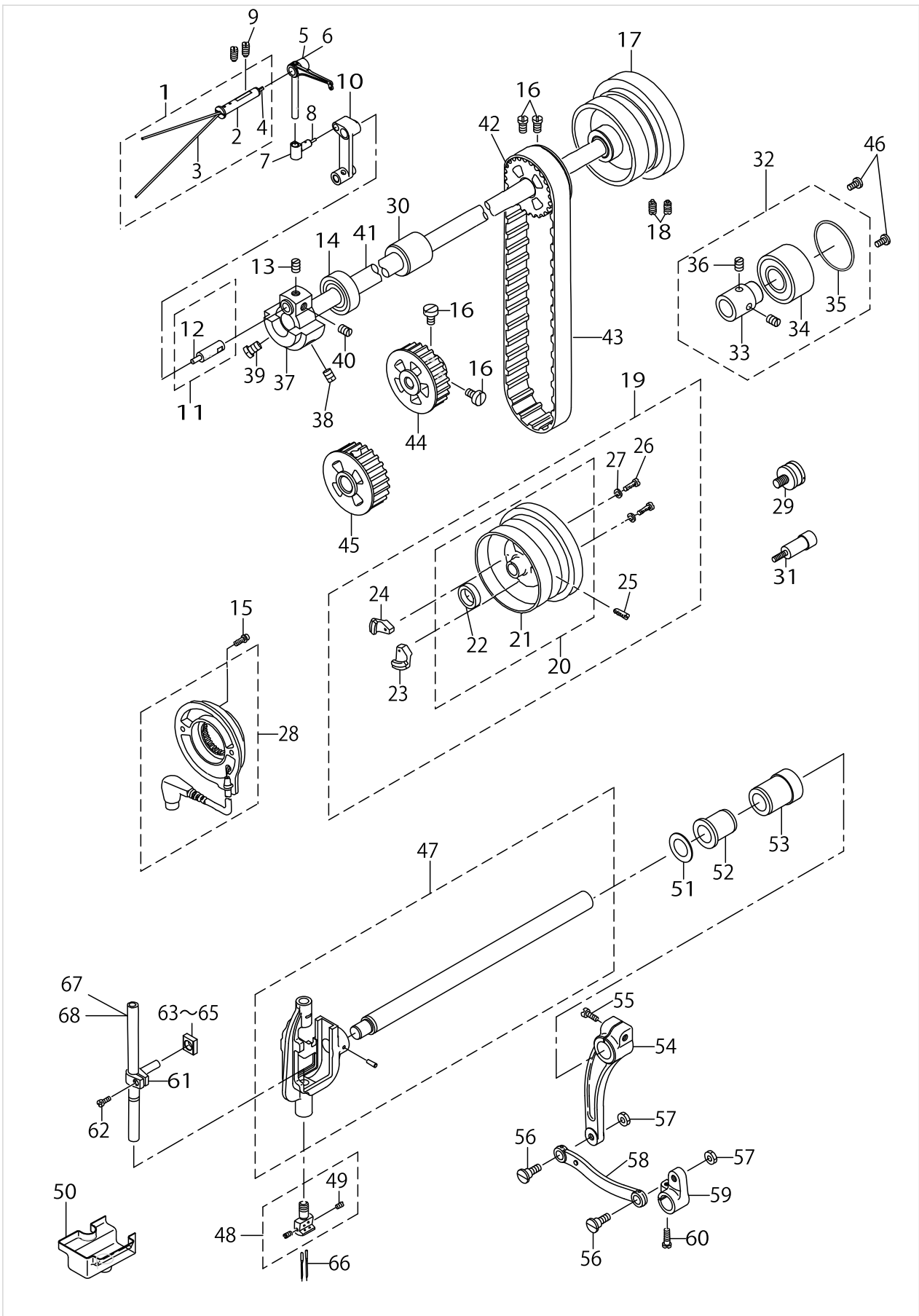


MAIN SHAFT, THREAD TAKE-UP & NEEDLE BAR COMPONENTS

No.	Parts No.	Parts name	Remarks	Level	Cons	Qty
1	22605356	THREAD TAKE-UP LEVER PIN ASM.				1
2	22605307	THREAD TAKE-UP LEVER PIN		*		1
3	CQ202000000	OIL WICK		*		0.4
4	CQ252000000	OIL WICK		*		0.04
5	23203706	THREAD TAKE-UP LEVER A	FOR LH-3128			1
6	23203805	THREAD TAKE-UP LEVER B	FOR LH-3128-7			1
7	22605406	TAKE-UP LEVER THRUST PIN				1
8	CQ252000000	OIL WICK				0.03
9	SS8151150TP	SCREW 15/64-28 L=10.5				2
10	23204308	NEEDLE BAR CRANK ROD				1
11	22680656	NEEDLE BAR CRANK PIN ASM.				1
12	CQ505000000	OIL WICK		*		0.1
13	SS8680540SP	SCREW 9/32-28 L= 4.5				1
14	B1202512000	MAIN SHAFT BUSHING, FRONT				1
15	10604809	SCREW				2
16	SS6661110SP	SCREW 1/4-40 L=11				4
17	22604508	HAND WHEEL	FOR LH-3128			1
18	SS8151550SP	SCREW 15/64-28 L=15	FOR LH-3128			2
19	22651566	HAND WHEEL ASM.	FOR LH-3128-7			1
20	22651558	HAND WHEEL		*		1
21	22651509	HAND WHEEL		*		1
22	M4002110000	GENERATOR ROTOR		*		1
23	M40071100AA	MAGNET FITTING BASE A ASM.		*		1
24	M40071100AB	MAGNET FITTING BASE B ASM.		*		1
25	SS8151550SP	SCREW 15/64-28 L=15		*		2
26	SS6111210SP	SCREW 11/64-40 L=12		*		2
27	WP0450801SD	WASHER 4.5X10X0.8		*		2
28	22937965	DYNAMO STATOR	FOR LH-3128-7			1
29	22622401	SYNCRO FRNGE	OPTIONAL PARTS			1
30	22603906	UPPER SHAFT INNER METAL				1
31	22622351	SENSOR SUPPORT SHAFT ASM.	OPTIONAL PARTS			1
32	22604656	THRUST COLLAR ASM.				1
33	22604607	THRUST COLLAR		*		1
34	SB120000100	BEARING D=20X47		*		1
35	RO437200200	RUBBER RING		*		1
36	SS8660530TP	SCREW 1/4-40 L= 4.5		*		2
37	22604409	COUNTERWEIGHT				1
38	SS8681650TP	SCREW 9/32-28 L=16				1
39	SS7681750TP	SCREW 9/32-28 L=16.5				1
40	SS8680810TP	SCREW 9/32-28 L=8.0				1
41	22604003	MAIN SHAFT				1
42	22604904	UPPER SPROCKET				1
43	22604300	TIMING BELT				1
44	22623201	SPROCKET WHEEL	FOR LH-3128			1
45	22651608	SPROCKET WHEEL	FOR LH-3128-7			1
46	SS7120760SP	SCREW 3/16-28 L= 7.0				2
47	23204258	NEEDLE BAR ROCKING BASE ASM.				1



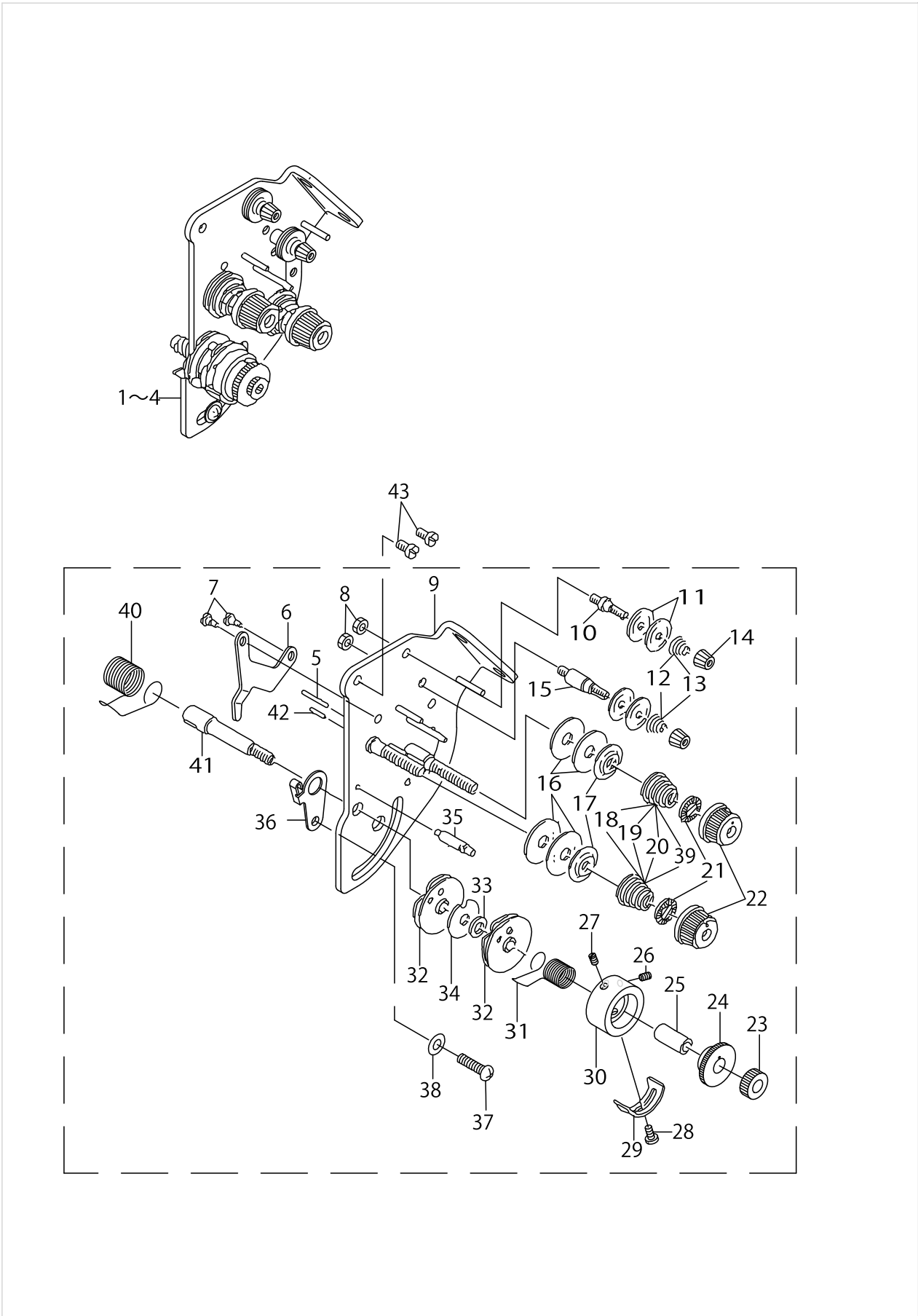
MAIN SHAFT, THREAD TAKE-UP & NEEDLE BAR COMPONENTS



MAIN SHAFT, THREAD TAKE-UP & NEEDLE BAR COMPONENTS

No.	Parts No.	Parts name	Remarks	Level	Cons	Qty
48	10148054	NEEDLE CLAMP ASM. 1/4	ORDER FOR NEEDLE CLAMP ONLY CANNOT BE ACCEPTED			1
49	SS8080660TP	SCREW 1/8-44 L=5.5		*		2
50	22606800	OIL GUARD RUBBER				1
51	B1438512B00	WASHER 17.1X28X1.5	SELECTIVE PARTS			1
52	22607303	BUSHING				1
53	22607402	BUSHING				1
54	22607006	REAR ARM				1
55	SS6152440SP	SCREW 15/64-28 L=23.5				1
56	SD0870601SP	HINGE SCREW D= 8.73 H= 6.0				2
57	NS6150430SP	NUT 15/64-28				2
58	22607105	DRIVING ROD				1
59	22607204	DRIVING ARM				1
60	SS6121610TP	SCREW 3/16-28 L=15.5				1
61	10104800	NEEDLE BAR CONNECTION				1
62	SS7090910SP	SCREW 9/64-40 L= 8.5				1
63	23204506	ROCKING ROD SQUARE BLOCK A	SELECTIVE PARTS			1
64	23204605	ROCKING ROD SQUARE BLOCK B	SELECTIVE PARTS			1
65	23204704	ROCKING ROD SQUARE BLOCK C	SELECTIVE PARTS			1
66	MDP500B1400	NEEDLE DPX5 #14				2
67	22606008	NEEDLE BAR	FOR LH-3128			1
68	22651905	NEEDLE BAR	FOR LH-3128-7			1

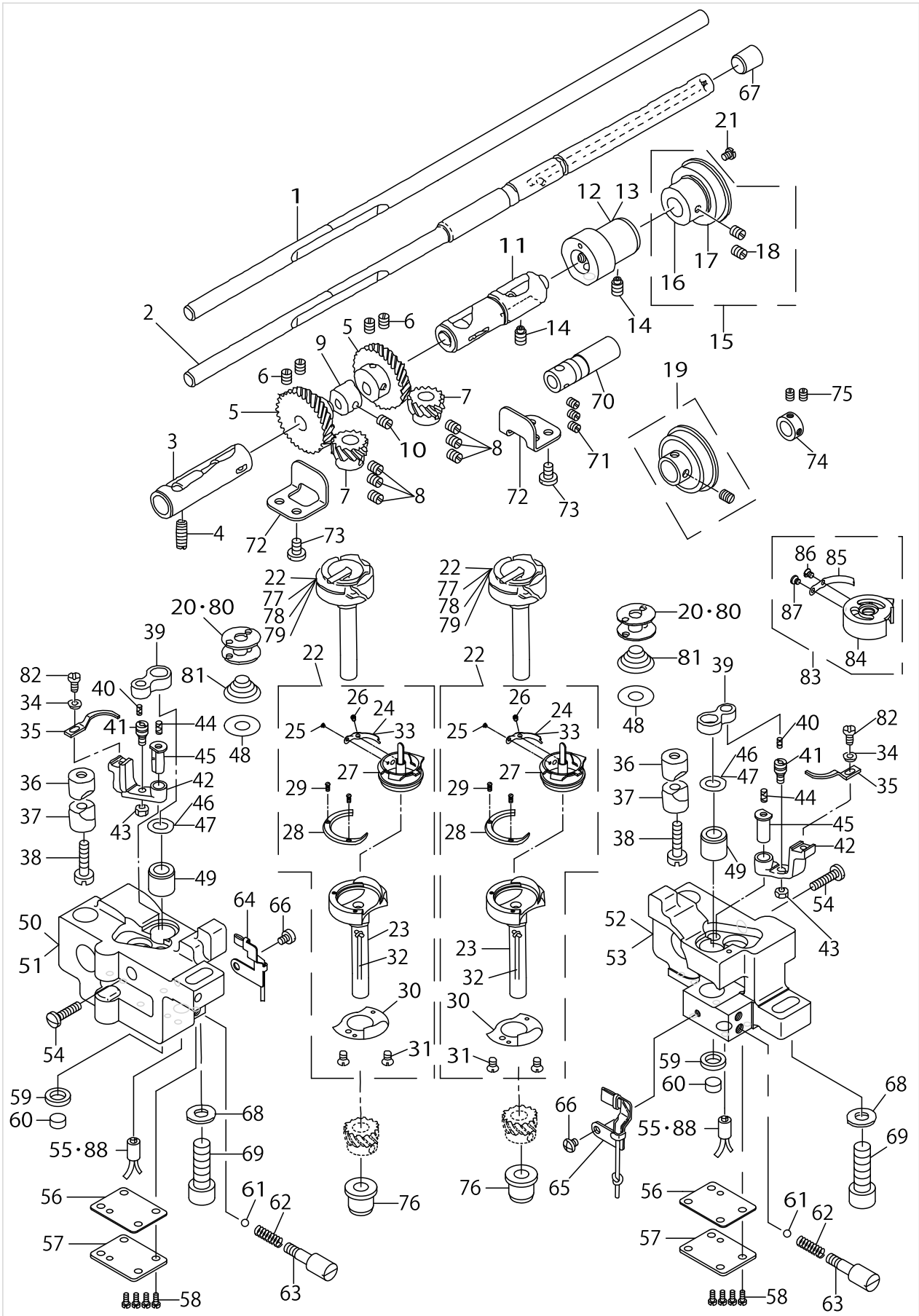
TENSION POST COMPONENTS



TENSION POST COMPONENTS

No.	Parts No.	Parts name	Remarks	Level	Cons	Qty
1	22618060	THREAD TENSION ASM., S	TYPE S			1
2	22618458	THREAD TENSION ASM., A	TYPE A			1
3	22618557	THREAD TENSION ASM.	TYPE G			1
4	22618656	THREAD TENSION ASM., F	TYPE F			1
5	22618300	TENSION RELEASE PIN, B		*		1
6	22618102	TENSION RELEASE LEVER		*		1
7	SD0470281SP	HINGE SCREW D=4.7 H=2.8		*		2
8	NS6110310SP	NUT 11/64-40		*		2
9	22618052	TENSION BASE PLATE ASM.		*		1
10	10124204	THREAD TENSION POST, A		*		1
11	10741106	FIRST THREAD TENSION PLATE		*		4
12	11045101	THREAD TENSION SPRING	TYPE A, F, S	*		2
13	11093606	THREAD TENSION SPRING	TYPE G	*		2
14	11072402	THREAD TENSION NUT		*		2
15	10124303	THREAD TENSION POST, B		*		1
16	B3126012000	THREAD TENSION DISK		*		4
17	22617906	THREAD TENSION DISK PRESSER		*		2
18	B3129012A00	TENSION SPRING	TYPE S	*		2
19	D3129555D00	THREAD TENSION SPRING	TYPE A	*		2
20	B3114232000	THREAD TENSION SPRING	TYPE G	*		2
21	B3112704000	TENSION SPRING BUSHING		*		2
22	11956802	THREAD TENSION KNOB, BLUE		*		2
23	22617807	NUT		*		1
24	22617708	TAKE-UP SPRING GUIDE		*		1
25	B3141527000	PRESSER COLLAR		*		1
26	22618904	SET SCREW		*		1
27	22618904	SET SCREW		*		1
28	SS7090510SP	SCREW 9/64-40 L= 4.6		*		1
29	B3138527000	ADJUSTING PLATE B		*		1
30	22617609	THREAD TENSION POST		*		1
31	22618805	THREAD TAKE-UP SPRING B		*		1
32	B31375270A0	TAKE-UP SPRING GUIDE ASM.		*		2
33	B3139527000	COLLAR		*		1
34	B3142527000	TAKE-UP SPRING GUIDE PLATE		*		1
35	B3143527000	TAKE-UP SPRING GUIDE STUD		*		1
36	10697506	THREAD TENSION BRACKET, A		*		1
37	SS4110615SP	SCREW 11/64-40 L=6		*		1
38	WP0501016SD	WASHER 5X10.5X1		*		1
39	B3121352000	TENSION SPRING	TYPE F	*		2
40	22618706	THREAD TAKE-UP SPRING A		*		1
41	10697605	THREAD TAKE-UP SPRING STUD		*		1
42	22618201	TENSION RELEASE PIN, A		*		1
43	SS4120615SP	SCREW 3/16-28 L=6		*		2

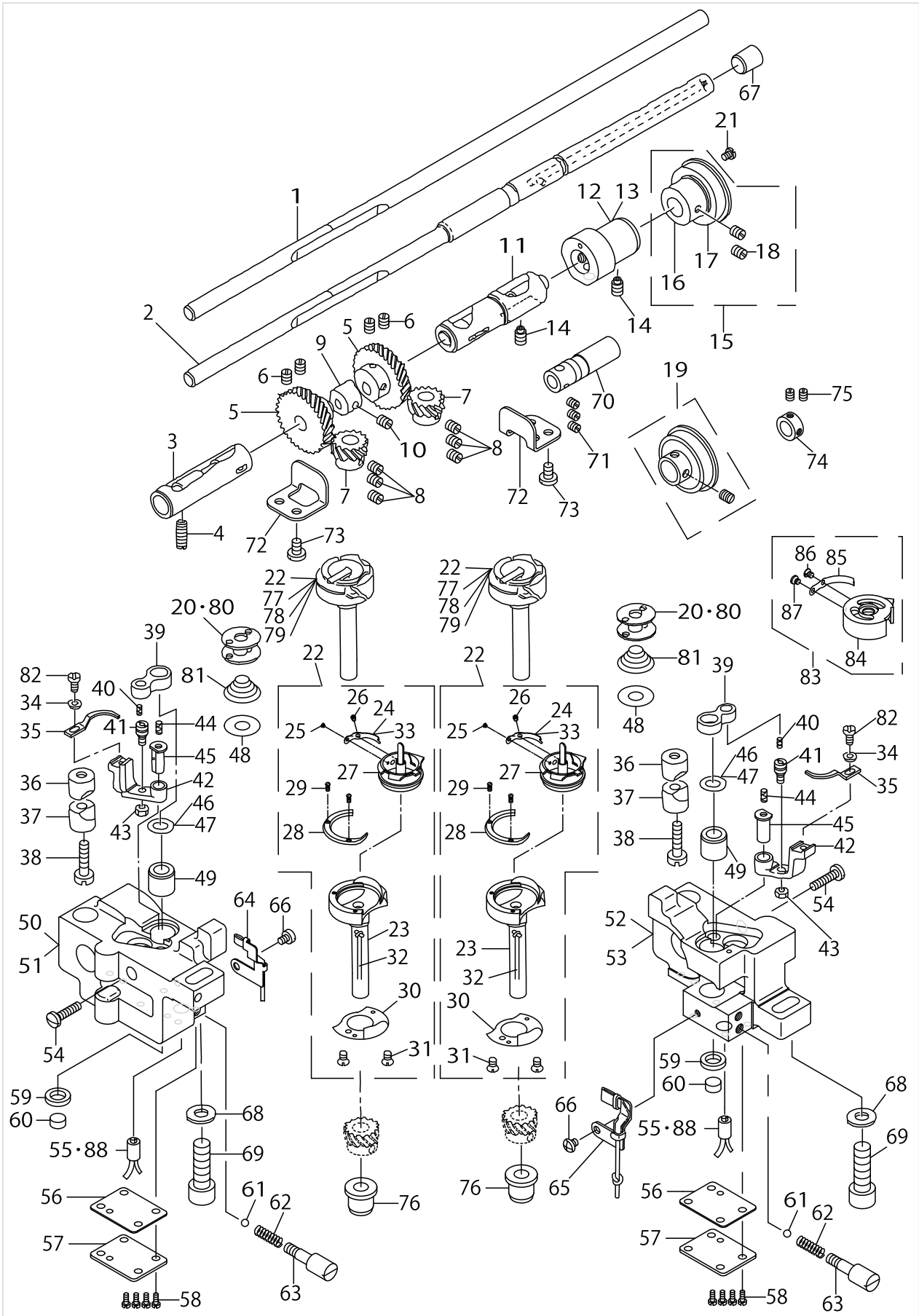
# HOOK & HOOK DRIVING SHAFT COMPONENTS



## HOOK & HOOK DRIVING SHAFT COMPONENTS

No.	Parts No.	Parts name	Remarks	Level	Cons	Qty
1	22623102	LOWER SHAFT B	FOR LH-3128			1
2	10108512	HOOK DRIVING SHAFT	FOR LH-3128-7			1
3	B18025120A0A	BUSHING ASM., FRONT	SELECTIVE PARTS			1
4	SS8151150SP	SCREW 15/64-28 L=10.5				1
5	B1816512000	HOOK DRIVING SHAFT, LARGE				2
6	SS8660810TP	SCREW 1/4-40 L=8				4
7	10112001	HOOK SHAFT GEAR, A	SELECTIVE PARTS			2
8	SS8660530TP	SCREW 1/4-40 L= 4.5				6
9	22609804	FEED DRIVING CAM				1
10	SS8660530TP	SCREW 1/4-40 L= 4.5				1
11	B18035150A0	BUSHING ASM., INTERMEDIATE	SELECTIVE PARTS			1
12	22611701	PLUNGER BUSHING, B	FOR LH-3128			1
13	10108611	PLUNGER BUSHING	FOR LH-3128-7			1
14	SS8151150SP	SCREW 15/64-28 L=10.5				2
15	22611651	THRUST COLLAR ASM., B	FOR LH-3128			1
16	22611602	THRUST COLLAR, B		*		1
17	SB120000200	BEARING 20X42		*		1
18	SS8661030SP	SCREW 1/4-40 L=10		*		2
19	10611457	THRUST COLLAR ASM.	FOR LH-3128-7			1
20	B9117051000	BOBBIN	FOR LH-3128			2
21	SS7120760SP	SCREW 3/16-28 L= 7.0				2
22	22612055	HOOK ASM.	SELECTIVE PARTS			2
23	22612006	HOOK		*		2
24	22612402	BOBBIN CASE TENSION SPRING		*		2
25	10110500	TENSION SPRING INSTALLING SCRE		*		2
26	10110609	TENSION ADJUSTING SCREW		*		2
27	22612105	SWING HOOK		*		2
28	22612204	HOOK GIB		*		2
29	10112803	SCREW		*		4
30	22612303	NEEDLE POSITIONER		*		2
31	10112902	SCREW		*		4
32	22612501	LILYARN		*		2
33	22612808	LOWER THREAD TENSION SPRING	SELECTIVE PARTS	*		1
34	WP0371016SD	WASHER 3.7X8X1				2
35	22613509	BOBBIN CASE OPENING LEVER				2
36	10109908	SADDLE INSTALLING BLOCK, UPPER				2
37	10112407	SADDLE INSTALLING BLOCK, LOWER				2
38	SS6153040SP	SCREW 15/64-28 L=30				2
39	B1820051000	BOBBIN CASE OPENING LEVER LINK				2
40	CQ202000000	OIL WICK				0.03
41	B1821051000	CRANK SCREW STUD				2
42	B1822051000	OPENING LEVER CRANK				2
43	NS6110420SP	NUT 11/64-40				2
44	CQ202000000	OIL WICK				0.05
45	B1823051000	OPENING LEVER CRANK PIN				2
46	22614101	THRUST WASHER, B	SELECTIVE PARTS FOR LH-3128			2

HOOK & HOOK DRIVING SHAFT COMPONENTS

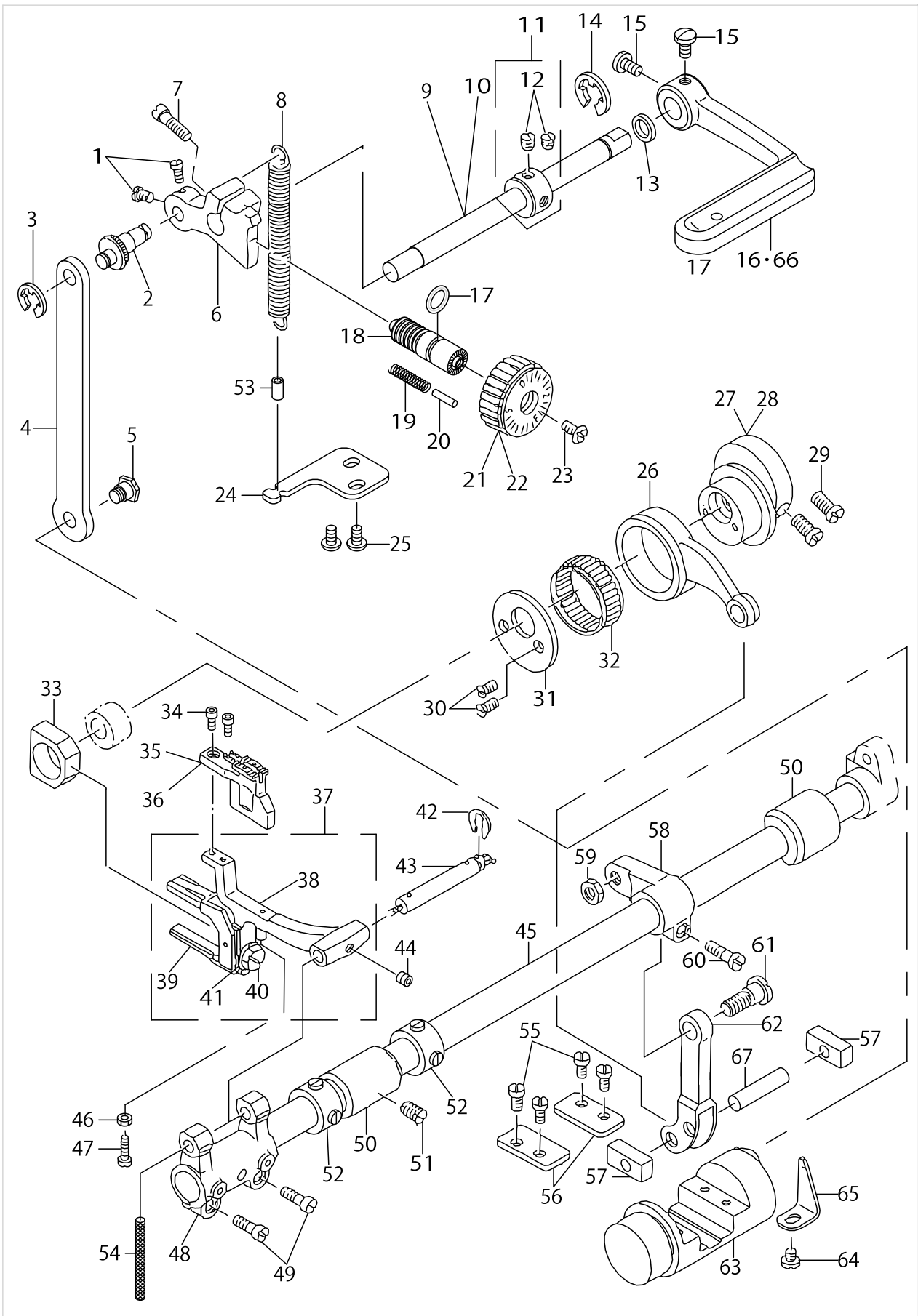


## HOOK & HOOK DRIVING SHAFT COMPONENTS

No.	Parts No.	Parts name	Remarks	Level	Cons	Qty
47	10111201	THRUST WASHER, F	SELECTIVE PARTS FOR LH-3128-7			2
48	22653802	SHEET	FOR LH-3128-7			2
49	22613905	HOOK SHAFT UPPER METAL				2
50	22613103	HOOK SHAFT SADDLE, LEFT	FOR LH-3128			1
51	22653604	HOOK SHAFT SADDLE, LEFT	FOR LH-3128-7			1
52	22613004	HOOK SHAFT SADDLE, RIGHT	FOR LH-3128			1
53	22653505	HOOK SHAFT SADDLE, RIGHT	FOR LH-3128-7			1
54	SS7111810SP	SCREW 11/64-40 L=18				2
55	22615454	RUBBER BUSHING ASM.				2
56	22615108	GASKET				2
57	22615009	HOOK SHAFT SADDLE COVER				2
58	SS4110815SP	SCREW 11/64-40 L=8				8
59	22615306	FELT HOLDER				2
60	22615207	FELT				2
61	22615702	OIL ADJUSTING BALL				2
62	D3171415B0H	PRESSER SPRING				2
63	22615801	OIL ADJUSTING SCREW				2
64	22615959	OIL WICK HOLDER ASM. LEFT				1
65	22616254	OIL WICK HOLDER ASM. RIGHT				1
66	SS4110515SP	SCREW 11/64-40 L=5				2
67	TA0500601M0	PLUG D=5X5.4 L=6	FOR LH-3128-7			1
68	WP0850002SP	WASHER 8.5X18X1.6				2
69	SM6082502TP	SCREW M8 L=25				2
70	22611909	OIL PUMP SHAFT	FOR LH-3128			1
71	SS8660530TP	SCREW 1/4-40 L= 4.5	FOR LH-3128			3
72	22613608	GEAR GUIDE				2
73	SS7110710SP	SCREW 11/64-40 L=7				4
74	CS1471012SH	THRUST COLLAR D=14.72 W=10	FOR LH-3128-7			1
75	SS8660530TP	SCREW 1/4-40 L= 4.5	FOR LH-3128-7			2
76	22613400	HOOK DRIVING SHAFT BUSHING				2
77	22612758	HOOK ASM.	SELECTIVE PARTS			2
78	22653158	RATCHET HOOK ASM.	SELECTIVE PARTS			2
79	22653059	CAP HOOK ASM.	SELECTIVE PARTS			2
80	10210805	HARD ALUMITE BOBBIN	FOR LH-3128-7			2
81	10111508	SPRING	FOR LH-3128-7			2
82	SS6090810SP	SCREW 9/64-40 L= 7.5				2
83	22612659	BOBBIN CASE ASM.				1
84	22612600	BOBBIN CASE		*		2
85	22688501	TENSION ADJUSTING SPRING		*		2
86	22612907	TENSION ADJUSTING SCREW		*		2
87	10110500	TENSION SPRING INSTALLING SCRE		*		2
88	22615462	RUBBER BUSHING ASM.	OPTIONAL PARTS			2



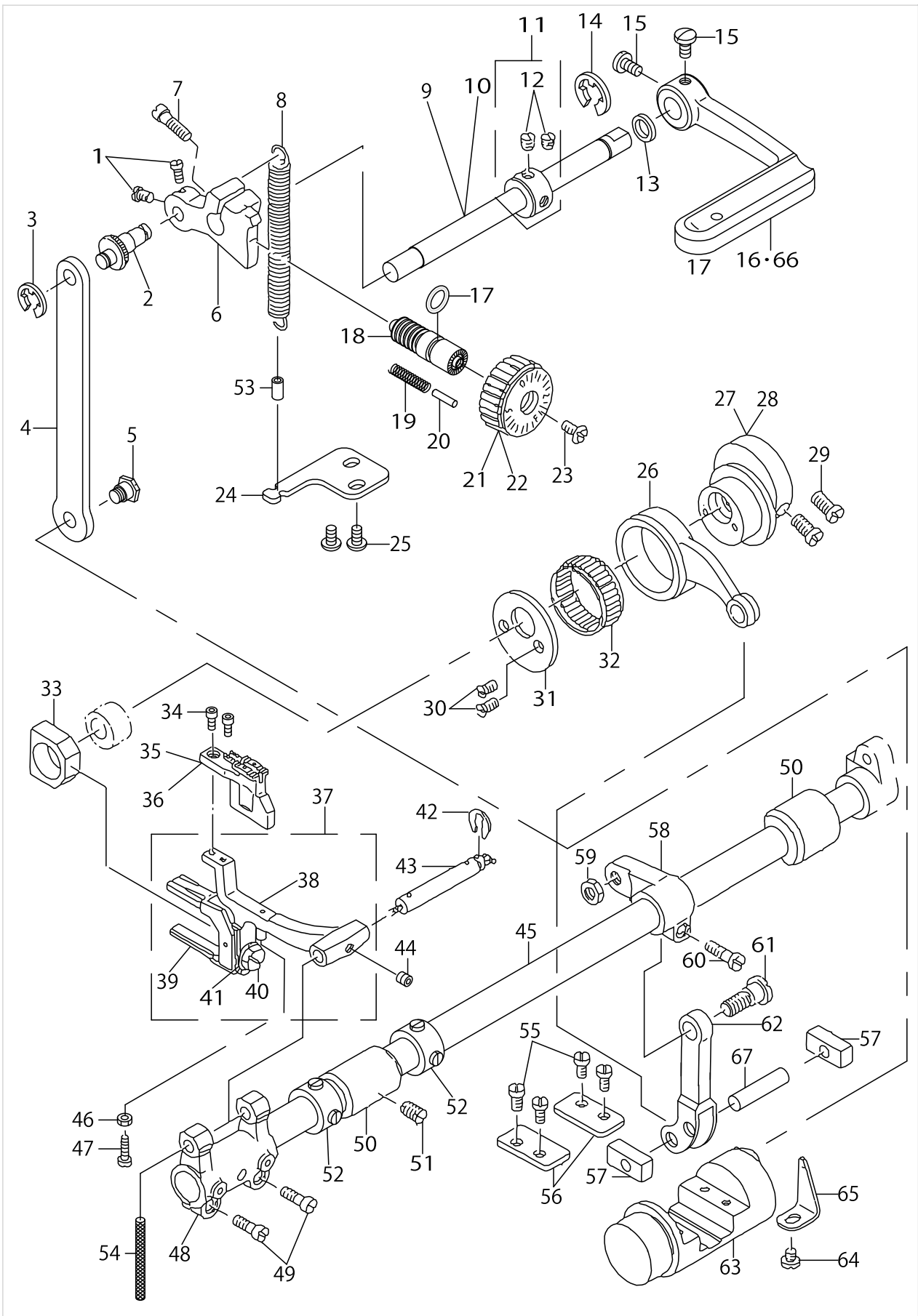
FEED MECHANISM COMPONENTS



FEED MECHANISM COMPONENTS

No.	Parts No.	Parts name	Remarks	Level	Cons	Qty
1	SS6090670TP	SCREW 9/64-40 L=6				2
2	22610109	ROD PIN				1
3	RE0500000K0	E-RING				1
4	22610208	FEED REGULATOR CONNECTING ROD				1
5	SD0800422CP	HINGE SCREW D= 8 H= 4.2				1
6	22610000	FEED REGULATOR				1
7	SS7121410TP	SCREW 3/16-28 L=14				1
8	22610307	FEED REGULATOR SPRING				1
9	22610604	REVERSE FEED SHAFT				1
10	22652101	REVERSE FEED SHAFT	FOR LH-3128-7-WB, -OB			1
11	CS102121ASH	THRUST COLLAR ASM. D=10.2 W=12				1
12	SS8660610TP	SCREW 1/4-40 L=6		*		2
13	10108009	OIL SEAL				1
14	RE0900000K0	E-RING 9				1
15	SS7120910SP	SCREW 3/16-28 L=9				2
16	22610505	REVERSE FEED CONTROL LEVER				1
17	RO092270200	RUBBER RING				1
18	22911804	FEED REGULATOR SCREW				1
19	22912109	FEED REGULATOR PIN SPRING				1
20	22912000	FEED REGULATOR PIN				1
21	22911903	FEED DIAL				1
22	22940506	FEED DIAL	FOR LH-3128, STITCH SPEC. F			1
23	SS6121860SP	SCREW 3/16-28 L=18				1
24	22610406	SPRING BRACKET				1
25	SS4110815SP	SCREW 11/64-40 L=8				2
26	22609200	FEED ROCK SHAFT CONNECTING ROD				1
27	22609002	FEED DRIVE ECCENTRIC CAM, B	FOR LH-3128			1
28	22652002	FEED DRIVE ECCENTRIC CAM	FOR LH-3128-7			1
29	SS6661110SP	SCREW 1/4-40 L=11				2
30	SS7110710SP	SCREW 11/64-40 L=7				2
31	22609101	CAM COVER				1
32	B1636581B00	NEEDLE BEARING B				1
33	B1610512000	FEED DRIVING SLIDE BLOCK				1
34	SS6580752TP	SCREW 1/8-40 L=7				2
35	22630602	FEED DOG 1/4	EXCHANGING GAUGE PARTS F-OR LH-3128(SEE P.27~33)			1
36	10238202	FEED DOG 1/4	EXCHANGING GAUGE PARTS F-OR LH-3128-7(SEE P.27~33)			1
37	22609754	FEED BAR ASM.				1
38	22609705	FEED BAR		*		1
39	10107902	FEED BAR FORK		*		1
40	SS9151440CP	SCREW 15/64-28 L=14		*		1
41	WP0621016SD	WASHER 6.2X13X1		*		1
42	RE0500711KP	SNAP RING 5				1
43	B1604012000A	FEED BAR SHAFT				1
44	SM8050502TP	SCREW M5 L=5				1
45	22609408	FEED ROCK SHAFT				1
46	NS6080210SP	NUT 1/8-44				1

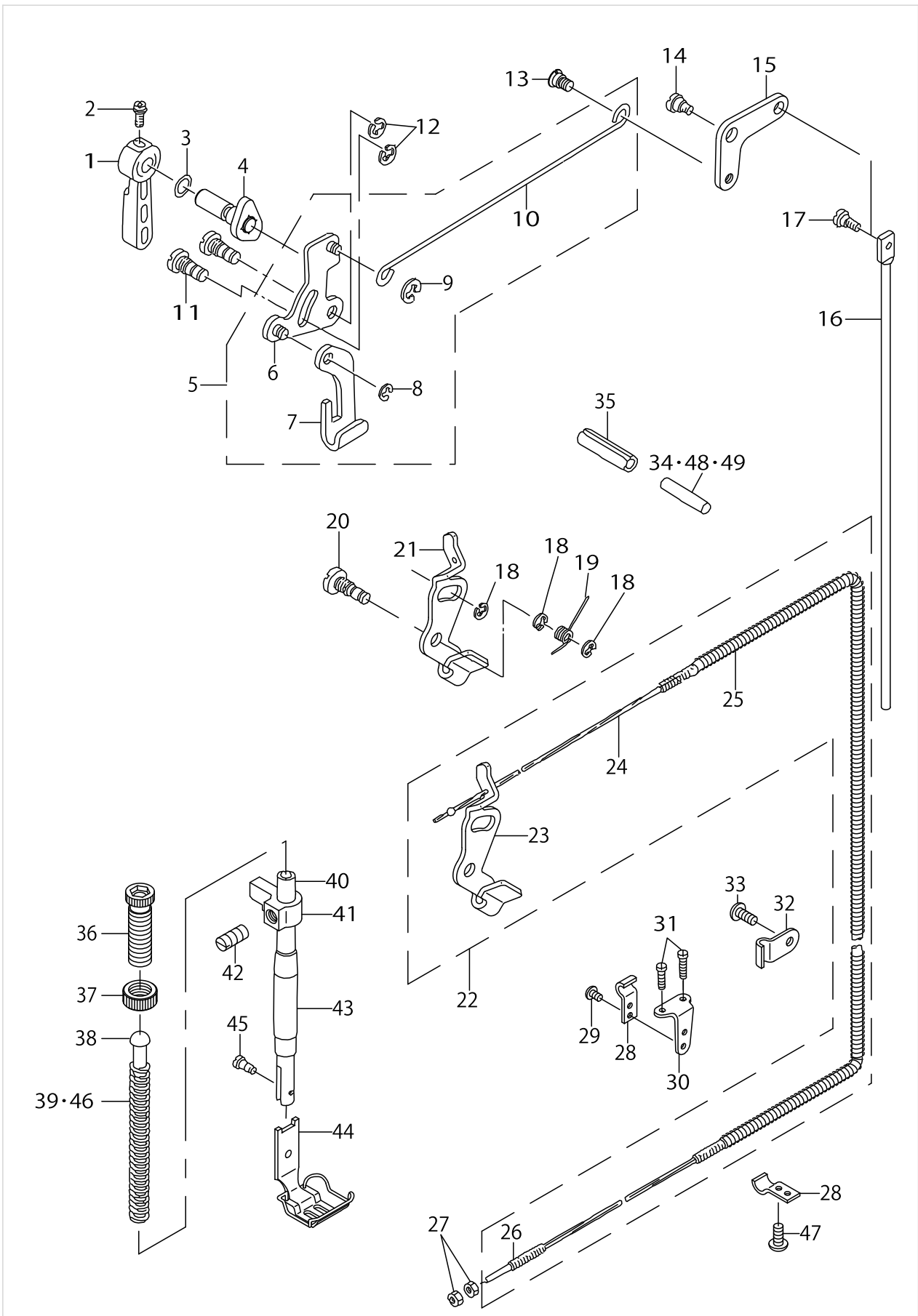
FEED MECHANISM COMPONENTS



FEED MECHANISM COMPONENTS

No.	Parts No.	Parts name	Remarks	Level	Cons	Qty
47	SS6081810SP	SCREW 1/8-44 L=18.0				1
48	B1603512000	FEED ROCKER				1
49	SS7111310TP	SCREW 11/64-40 L=12.8				2
50	10106102	BUSHING				2
51	SS8151150SP	SCREW 15/64-28 L=10.5				1
52	22904155	MAIN SHAFT THRUST COLLAR ASM.				2
53	BT0500300EA	OIL TUBE				0.09
54	CQ252000000	OIL WICK				0.26
55	SS7110910SP	SCREW 11/64-40 L=8.5				4
56	10315505	PLATE				2
57	22609606	FEED DRIVING ROCKER BLOCK, S				2
58	22609309	FEED ROCKER SHAFT CRANK				1
59	NS6680320SP	NUT 9/32-28				1
60	SS6121610TP	SCREW 3/16-28 L=15.5				1
61	SD0900701TP	HINGE SCREW D= 9 H= 7				1
62	10315208	FEED ROCK CONNECTING ROD				1
63	10315455	FEED DRIVING ROCKER ASM.				1
64	SS7110510SP	SCREW 11/64-40 L=5				1
65	B1633470000	STOPPER PLATE				1
66	22610901	REVERSE FEED CONTROL LEVER, F	FOR LH-3128, STITCH SPEC. F			1
67	B1653470000	PIN				1

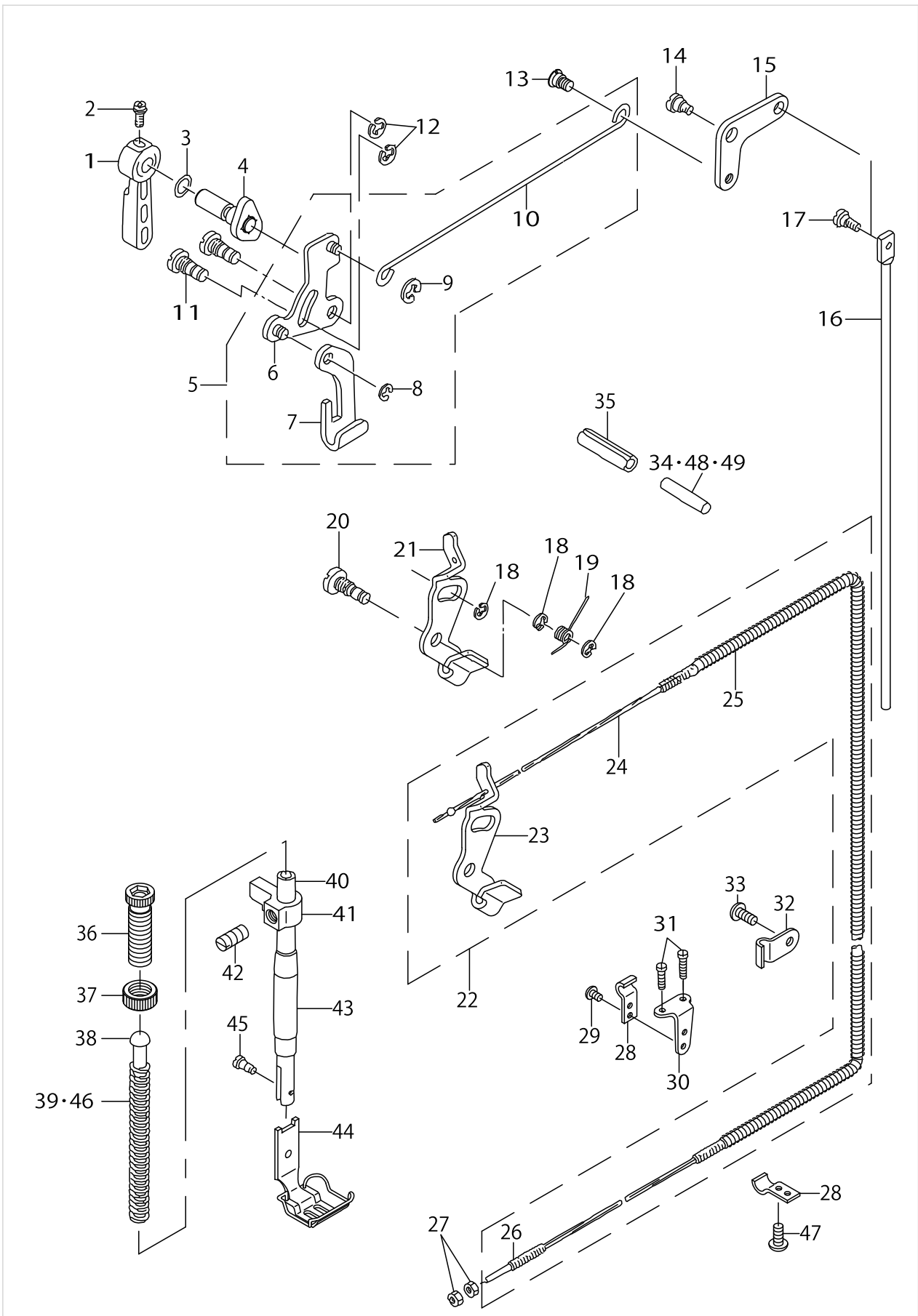
PRESSER BAR & TENSION RELEASE COMPONENTS



PRESSER BAR & TENSION RELEASE COMPONENTS

No.	Parts No.	Parts name	Remarks	Level	Cons	Qty
1	22907802	HAND LIFTER				1
2	B1521555000	SCREW				1
3	RO037180100	RUBBER RING				1
4	22908552	HAND LIFTER CAM ASM.				1
5	22608152	LIFTING LEVER ROD ASM.				1
6	11006350	HAND LIFTER LINK		*		1
7	11006202	LIFTING LEVER		*		1
8	11007309	E-RING		*		1
9	RE0500000K0	E-RING		*		1
10	22608103	LIFTING LEVER CONNECTING ROD		*		1
11	40034204	HAND LIFTER SCREW				2
12	RE0500000K0	E-RING				2
13	22908909	HINGE SCREW				1
14	SD0720332SP	HINGE SCREW D= 7.24 H= 3.3				1
15	22908800	KNEE LIFTER LINK				1
16	10125201	CONNECTING ROD, VERTICAL				1
17	SD0600322SD	HINGE SCREW D=6 H=3.2				1
18	RE0500000K0	E-RING				3
19	22920201	RETURN SPRING				1
20	11018108	TENSION RELEASE SHAFT				1
21	22617104	TENSION RELEASE PLATE	FOR LH-3128			1
22	22654958	TENSION RELEASE PLATE ASM.	FOR LH-3128-7			1
23	22617104	TENSION RELEASE PLATE		*		1
24	11394509	WIRE CABLE		*		1
25	22654909	WIRE TUBE		*		1
26	D3159555B00	SET SCREW		*		1
27	NS6620310SP	NUT 3/16-32	FOR LH-3128-7			2
28	D3164555B00	OUTER PRESSER PLATE	FOR LH-3128-7			2
29	SS4110715SP	SCREW 11/64-40 L=7	FOR LH-3128-7			1
30	D3163555B00A	FLEXIBLE TUBE SUPPORT PLATE	FOR LH-3128-7			1
31	SS4111215SP	SCREW 11/64-40 L=12	FOR LH-3128-7			2
32	22620801	PIPE HOLDER	FOR LH-3128-7			1
33	SS4111015SP	SCREW 11/64-40 L=10	FOR LH-3128-7			1
34	22617005	PUSH BAR				1
35	PS0600502KP	SPRING PIN				1
36	22907505	PRESSER SPRING REGULATOR				1
37	22907604	PRESSER SPRING REGULATOR NUT				1
38	22907703	PRESSER GUIDE BAR				1
39	B1505227T00A	PRESSER SPRING T				1
40	B1501581000	PRESSER BAR				1
41	40017058	PRESSER BAR HOLDER				1
42	SS8660810TP	SCREW 1/4-40 L=8				1
43	22907109	PRESSER BAR BUSHING, LOWER				1
44	10152957	PRESSER FOOT ASM. 1/4	EXCHANGING GAUGE PARTS (SEE P.27~33)			1
45	SS7090910TP	SCREW 9/64-40 L= 8.5				1
46	22608400	SPRING, F	FOR LH-3128,TYPE F			1

PRESSER BAR & TENSION RELEASE COMPONENTS

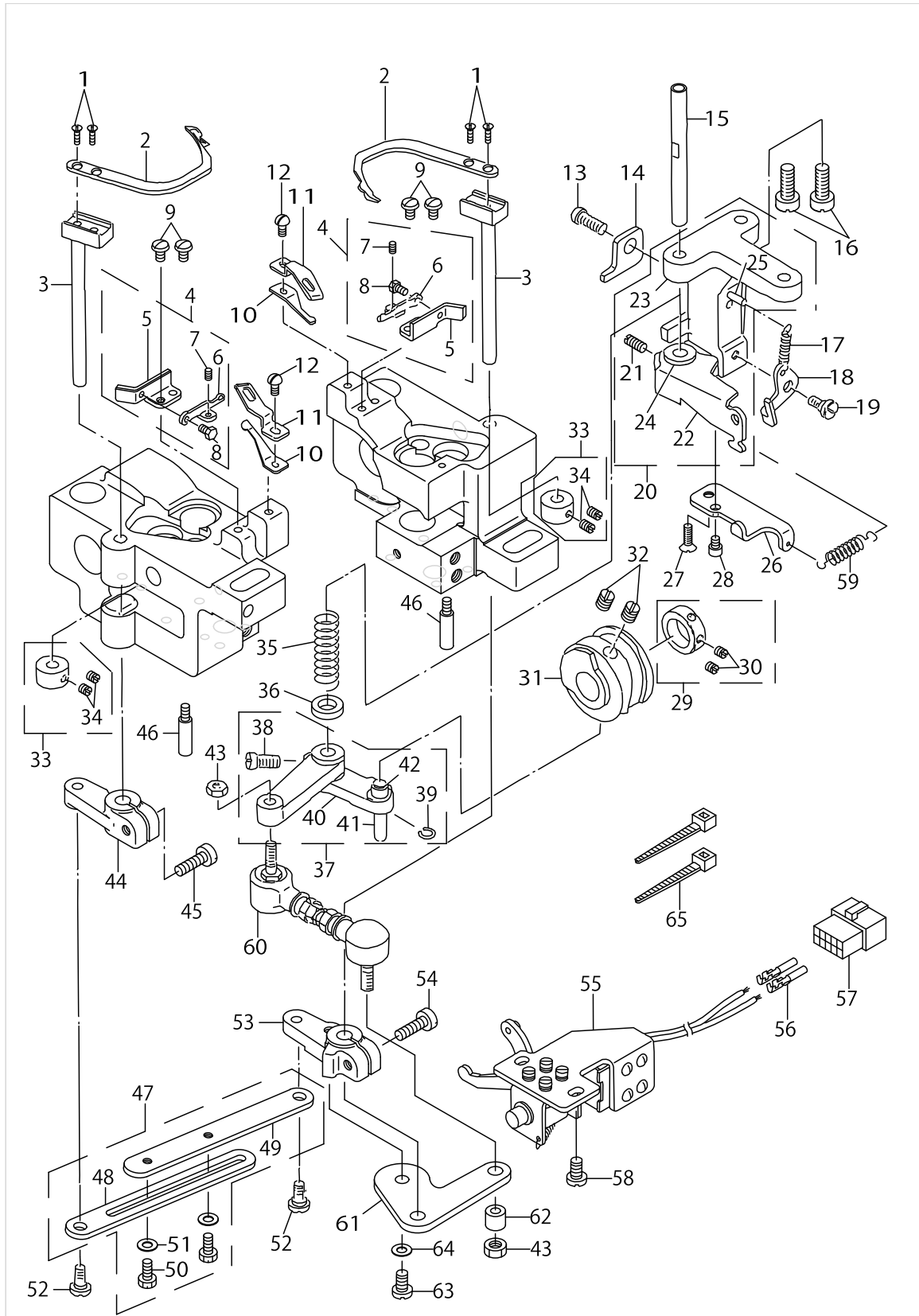


PRESSER BAR & TENSION RELEASE COMPONENTS

No.	Parts No.	Parts name	Remarks	Level	Cons	Qty
47	SS4110515SP	SCREW 11/64-40 L=5				1
48	40039672	PUSH BAR				1
49	40030133	PUSH BAR				1



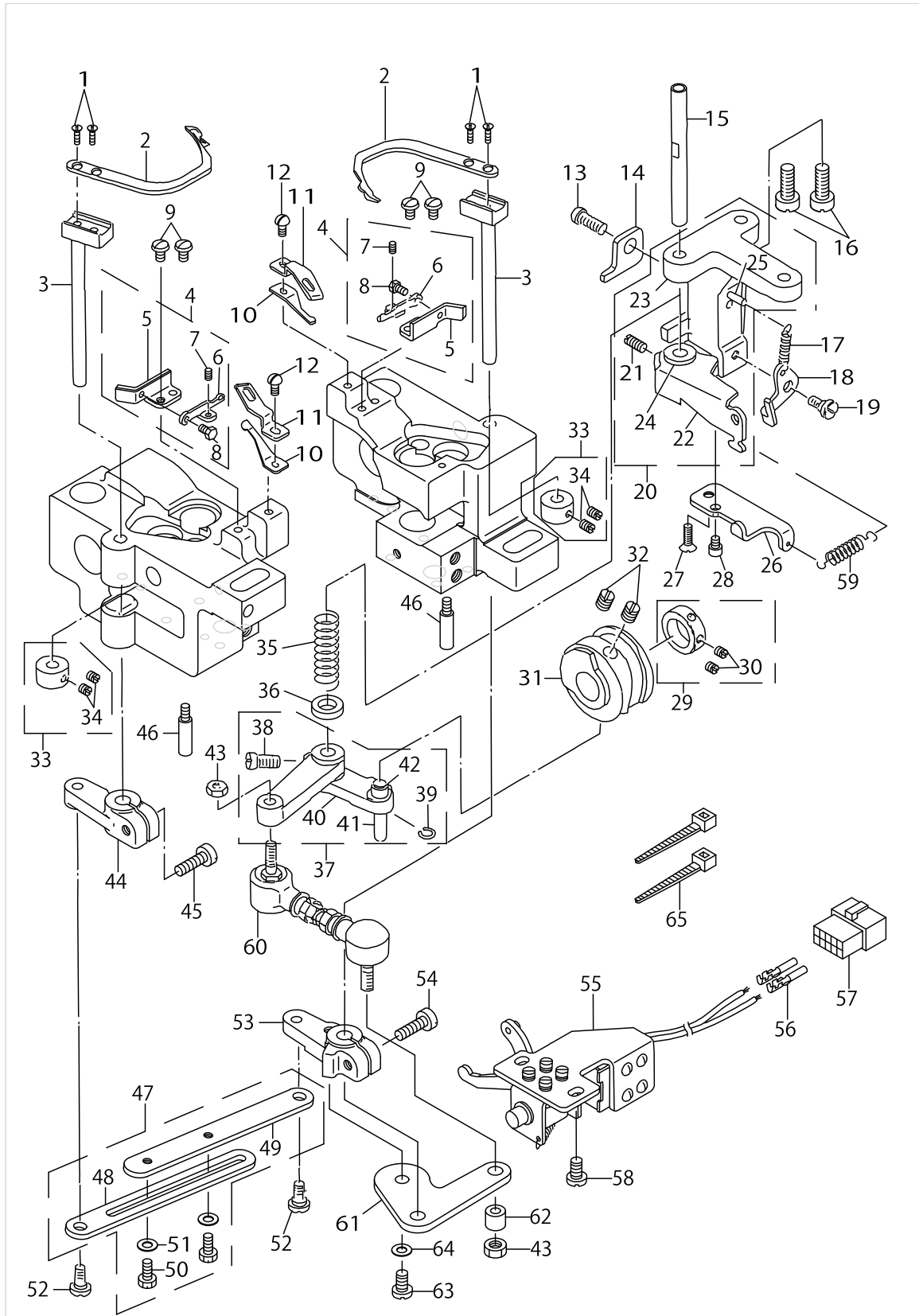
THREAD TRIMMER MECHANISM COMPONENTS (FOR LH-3128-7)



THREAD TRIMMER MECHANISM COMPONENTS (FOR LH-3128-7)

No.	Parts No.	Parts name	Remarks	Level	Cons	Qty
1	SS2080810SP	SCREW 1/8-44 L=7.5				4
2	10211605	MOVING KNIFE				2
3	10116051	MOVING KNIFE SHAFT ASM.				2
4	22654255	MOVING KNIFE SUPPORT ASM.				2
5	22654206	MOVING KNIFE SUPPORT PLATE		*		2
6	10211407	THREAD PRESSER ADJUSTING PLATE		*		2
7	SS8080610SP	SCREW 1/8-44 L=5.5		*		2
8	SS9080410SP	SCREW 1/8-44 L=4.3		*		2
9	SS5090610SP	SCREW 9/64-40 L=6				4
10	22655401	THREAD PRESSER				2
11	22655302	COUNTER KNIFE				2
12	SS7090710SP	SCREW 9/64-40 L= 6.8				2
13	SS6121212TP	SCREW 3/16-28 L=12.0				1
14	22654800	STOPPER, A				1
15	10116804	SHAFT				1
16	SS7151610SP	SCREW 15/64-28 L=16				2
17	B3418180000	SPRING				1
18	10117208	TENSION DISC RELEASE PLATE				1
19	SD0600271SP	HINGE SCREW D= 6 H= 2.7				1
20	22655153	LINK INSTALLING BASE ASM.				1
21	SS8111010TP	SCREW 11/64-40 L=9.5		*		1
22	22655104	TENSION DISC RELEASE ARM		*		1
23	10116606	LINK INSTALLING BASE		*		1
24	10117109	BUSHING		*		1
25	PS0300201KP	SPRING PIN 3.0X20		*		1
26	40012461	STOPPER PLATE				1
27	SS2110920TP	SCREW 11/64-40 L=8.5				1
28	SS6111052TP	SCREW				1
29	CS1470710SH	THRUST COLLAR ASM. D=14.72 W=7				1
30	SS8110410TP	SCREW 11/64-40 L= 3.5		*		2
31	22654107	THREAD TRIMMER CAM				1
32	SS8660810TP	SCREW 1/4-40 L=8				2
33	CS070081BSH	THRUST COLLAR ASM. D=7 W=8				2
34	SS8110510SP	SCREW 11/64-40 L=5		*		4
35	10116903	SPRING				1
36	WP0753016SZ	WASHER 7.5X16.0X3.0				1
37	10116754	CAM INSTALLING LINK ASM.				1
38	SS6151220SP	SCREW 15/64-28 L=11.5		*		1
39	D2430555B00	SNAP RING		*		1
40	10116705	CAM INSTALLING LINK		*		1
41	D2428555B00A	CAM ROLLER SHAFT		*		1
42	D2427555B00B	CAM ROLLER		*		1
43	NM6050001SP	NUT M5				2
44	22654404	DRIVING ARM, LEFT				1
45	SS6121610TP	SCREW 3/16-28 L=15.5				1
46	B1515051000	HAND LIFTER PIN				2
47	22654552	CONNECTING LINK ASM.				1

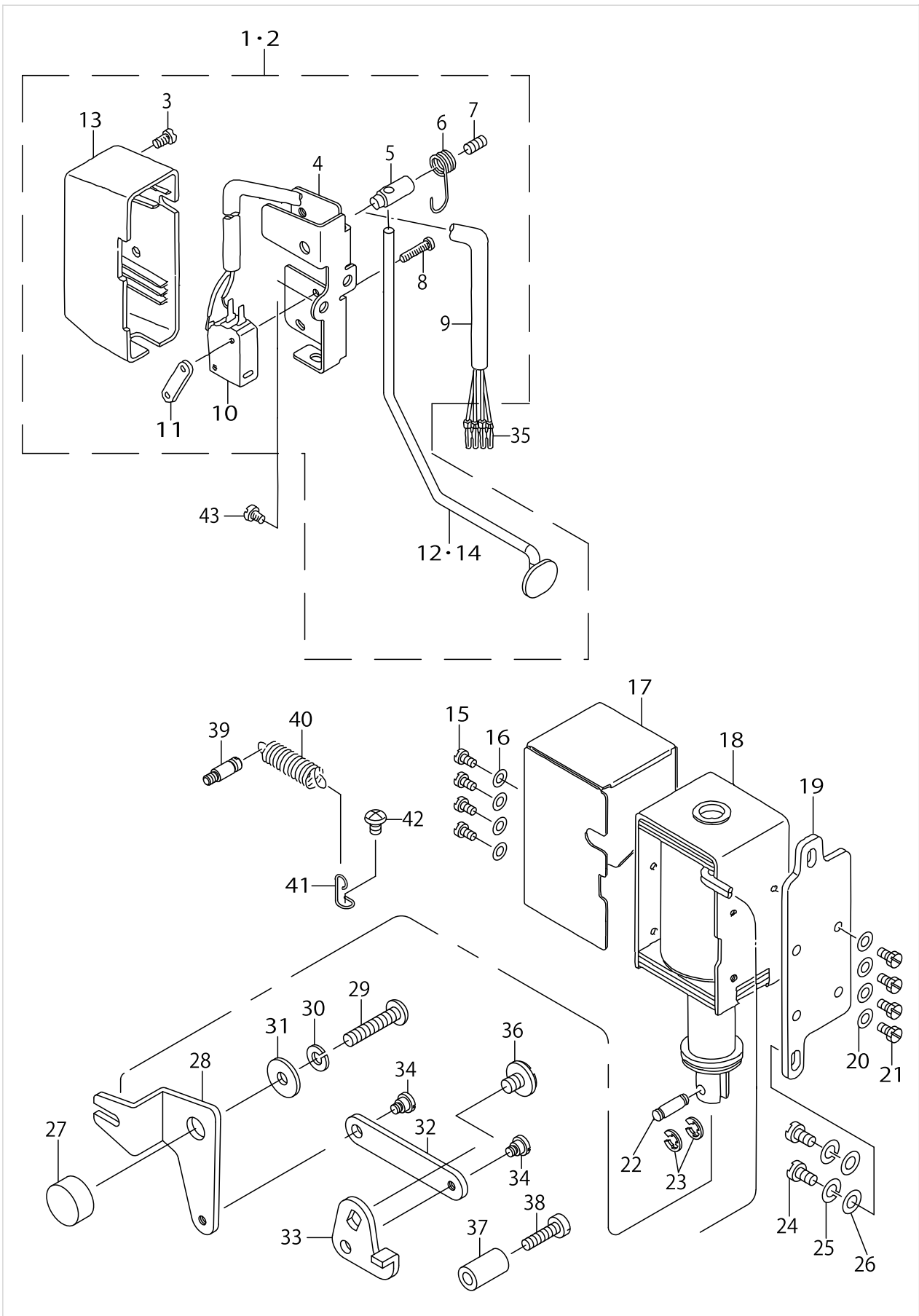
THREAD TRIMMER MECHANISM COMPONENTS (FOR LH-3128-7)



THREAD TRIMMER MECHANISM COMPONENTS (FOR LH-3128-7)

No.	Parts No.	Parts name	Remarks	Level	Cons	Qty
48	22654503	CONNECTING LINK, A		*		1
49	22654602	CONNECTING LINK, B		*		1
50	SS9111010SP	SCREW 11/64-40 L=9.5		*		2
51	WP0501016SD	WASHER 5X10.5X1		*		2
52	SD0650305TP	HINGE SCREW D= 6.5 H= 3				2
53	22654305	DRIVING ARM, RIGHT				1
54	SS6121610TP	SCREW 3/16-28 L=15.5				1
55	10117851	SOLENOID ASM.				1
56	HK03464000B	PIN CONTACT				2
57	HK034610140	HOUSING 14P				1
58	SS6151040SP	SCREW 15/64-28 L=10				2
59	B3041980000	SPRING				1
60	22655005	JOINT ROD				1
61	22654008	DRIVING ARM PLATE				1
62	B3417051000	REAR LIFTING BAR ROLLER				1
63	SS6120940SP	SCREW 3/16-28 L=9				1
64	WP0501016SD	WASHER 5X10.5X1				1
65	EA9500B0100	CABLE BAND				2

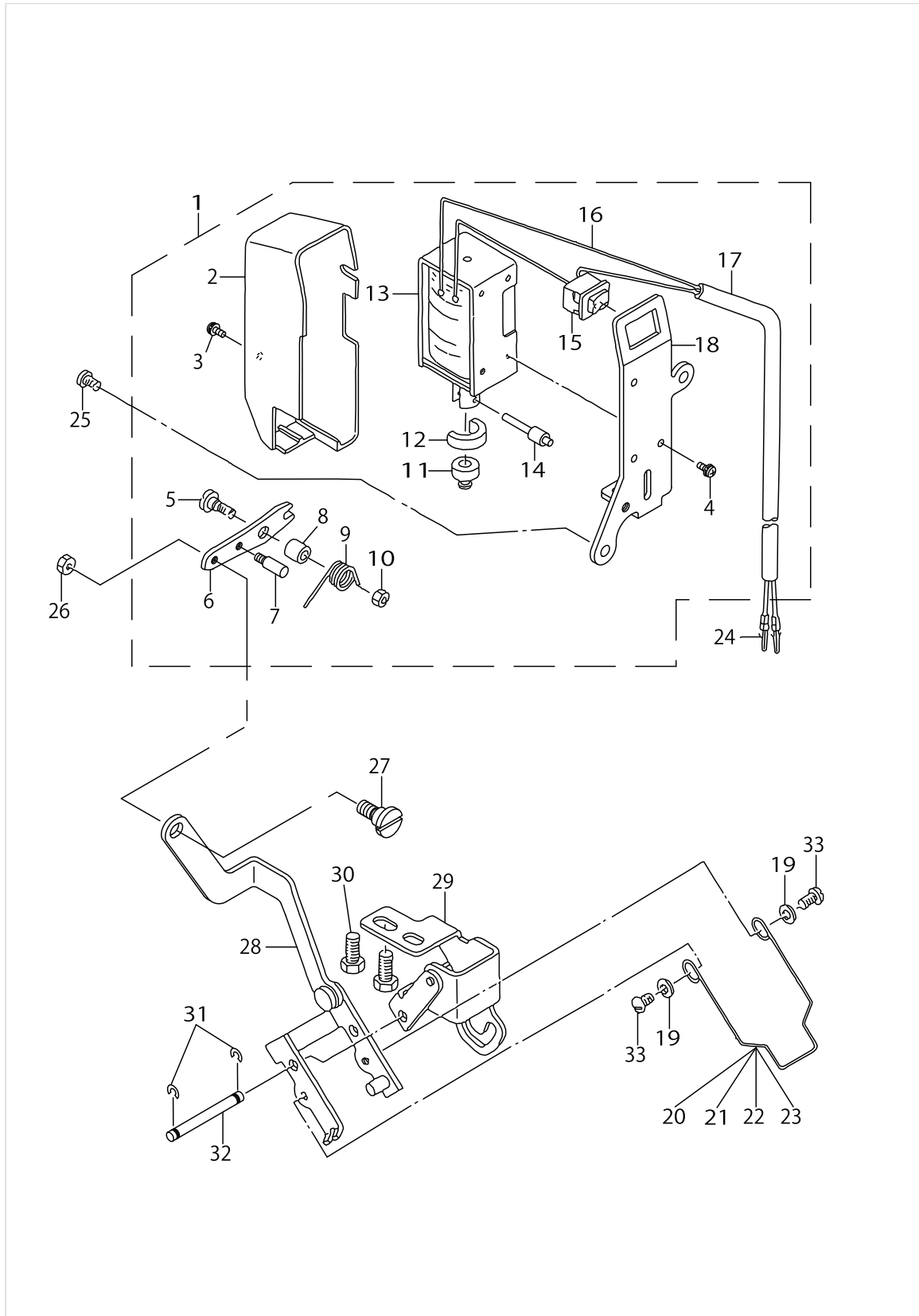
AUTOMATIC REVERSE FEED MECHANISM COMPONENTS (FOR LH-3128-7)



AUTOMATIC REVERSE FEED MECHANISM COMPONENTS (FOR LH-3128-7)

No.	Parts No.	Parts name	Remarks	Level	Cons	Qty
1	22656557	REVERSE FEED SWITCH ASM.				1
2	22656953	BACKWARD FEED SWITCH ASM., F	FOR LH-3128F-0B			1
3	SM4040655SP	SCREW M4 L=6		*		1
4	22656508	REVERSE FEED SWITCH BASE		*		1
5	11102100	REVERSE FEED SWITCH SHAFT		*		1
6	11102209	REVERSE FEED SWITCH SPRING		*		1
7	SM8040802SP	SCREW M4X0.7 L=8		*		1
8	SM4031501SC	SCREW M3 L=15		*		2
9	HW500070000	2-CORE CABTYRE CORD		*		1.4
10	HA001900000	MICROSWITCH		*		1
11	11102308	MICRO SWITCH PLATE		*		1
12	22656607	REVERSE FEED SWITCH LEVER		*		1
13	11072501	REVERSE FEED SWITCH COVER		*		1
14	22656904	SWITCH LEVER, F	FOR LH-3128F-0B	*		1
15	SS7110710SP	SCREW 11/64-40 L=7				4
16	WP0501016SD	WASHER 5X10.5X1				4
17	10161305	SOLENOID COVER				1
18	10119105	REVERSE FEED SOLENOID, AC24V				1
19	10119204	SOLENOID INSTALLING PLATE				1
20	WP0501016SD	WASHER 5X10.5X1				4
21	SS9111010SP	SCREW 11/64-40 L=9.5				4
22	D2464555B00	LINK DRIVING MAGNET PIN				1
23	RE0400000K0	E-RING 4				2
24	SS7151210SP	SCREW 15/64-28 L=12				2
25	WS0631510KP	SPRING WASHER				2
26	WP0621016SD	WASHER 6.2X13X1				2
27	22656409	LINK FULCULUM				1
28	22656300	REVERSE FEED LINK, L				1
29	SS4153015SP	PAN-SCREW 15/64-28 L=30				1
30	WS0610002KP	SPRING WASHER				1
31	WP0612056SD	WASHER 6.1X18.5X2				1
32	22656201	REVERSE FEED LINK, (2)				1
33	22656102	REVERSE FEED LINK, (1)				1
34	SD0640321SP	HINGE SCREW D= 6.35 H= 3.2				2
35	HK03464000B	PIN CONTACT				4
36	SS7120760SP	SCREW 3/16-28 L= 7.0				1
37	22952501	BACK LEVER STOPPER				1
38	SS6121840SP	SCREW 3/16-28 L=18				1
39	26226407	TENSION SPRING HOOK				1
40	26226209	SPRING				1
41	22656003	SPRING SUSPENSION				1
42	SS4120615SP	SCREW 3/16-28 L=6				1
43	SS4120615SP	SCREW 3/16-28 L=6				2

WIPER MECHANISM COMPONENTS (FOR LH-3128-7)

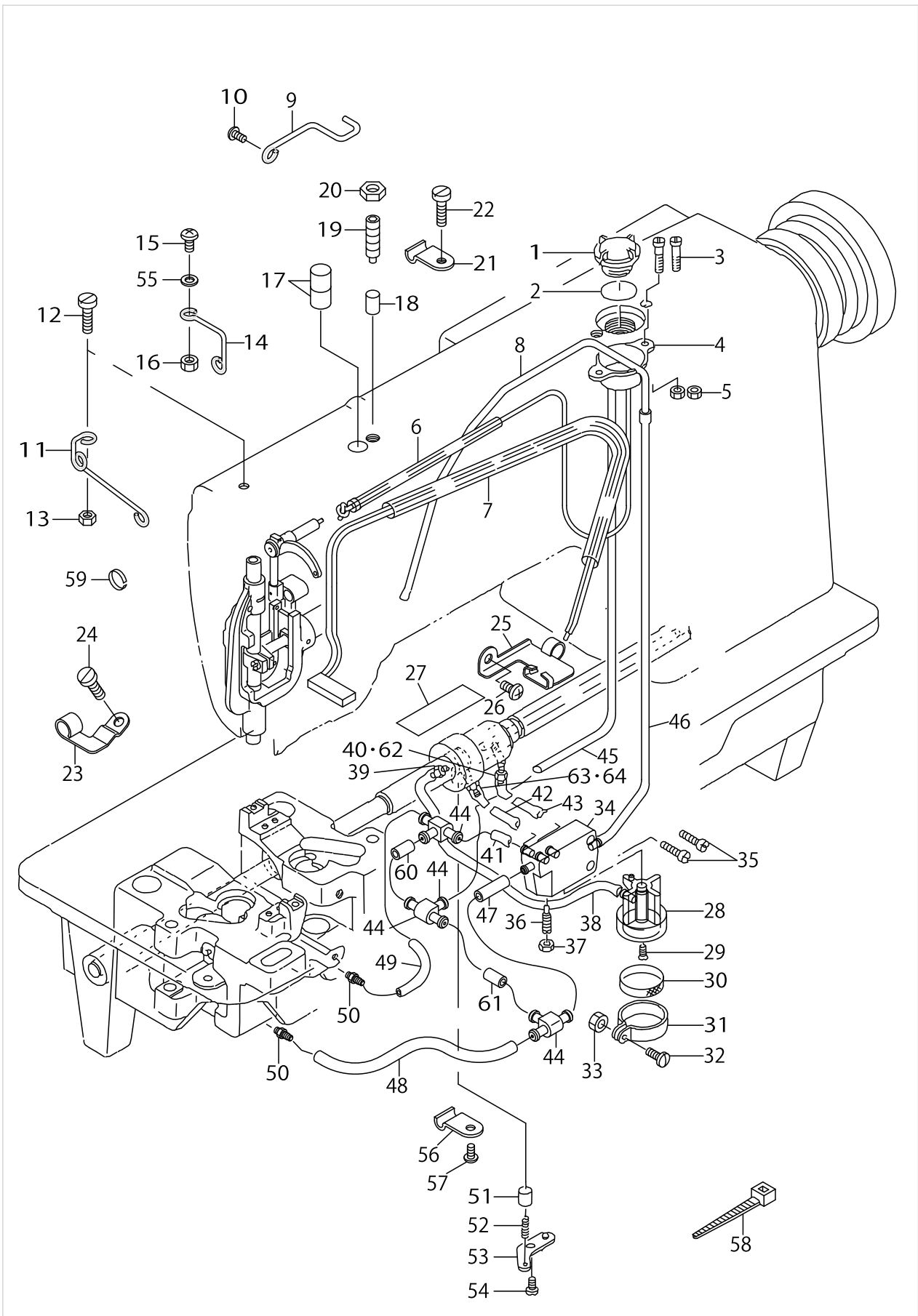


WIPER MECHANISM COMPONENTS (FOR LH-3128-7)

No.	Parts No.	Parts name	Remarks	Level	Cons	Qty
1	22657159	WIPER SOLENOID ASM.				1
2	11072709	WIPER COVER		*		1
3	SL4030891SC	SCREW M3X8		*		1
4	SL4030891SC	SCREW M3 X 6		*		3
5	SD0650321TP	HINGE SCREW D=6.5 H=3.2		*		1
6	22657209	WIPER LINK, A		*		1
7	40009196	SUSPENSION SCREW		*		1
8	11110707	WIPER HINGE SCREW COLLAR		*		1
9	22657308	WIPER SPRING		*		1
10	NS6110310SP	NUT 11/64-40		*		1
11	11110400	WIPER RUBBER A		*		1
12	11110509	WIPER RUBBER B		*		1
13	11110301	WIPER SOLENOID		*		1
14	22957104	WIPER SOLENOID SHAFT		*		1
15	HA000590000	POWER SWITCH		*		1
16	HW200390000	ELECTRIC WIRE		*		0.1
17	HW500070000	2-CORE CABTYRE CORD		*		1.4
18	22657100	WIPER SOLENOID BASE		*		1
19	WP0371016SD	WASHER 3.7X8X1				2
20	10209203	WIPER 3/32"-3/8	SELECTIVE PARTS			1
21	10209500	WIPER	SELECTIVE PARTS			1
22	10209807	WIPER	SELECTIVE PARTS			1
23	10209906	WIPER	SELECTIVE PARTS			1
24	HK03464000B	PIN CONTACT				2
25	SS4120615SP	SCREW 3/16-28 L=6				1
26	NS6090310SP	NUT 9/64-40				1
27	SD0500301SP	HINGE SCREW D= 5 H= 3				1
28	22657050	WIPER LINK ASM., 2				1
29	10208551	WIPER BASE ASM.				1
30	SS9111010SP	SCREW 11/64-40 L=9.5				2
31	RE0320000K0	E-RING 3.2				2
32	10208700	WIPER LINK SHAFT				1
33	SS3090520SP	SCREW 9/64-40 L=4.5				2



LUBRICATION COMPONENTS



LUBRICATION COMPONENTS

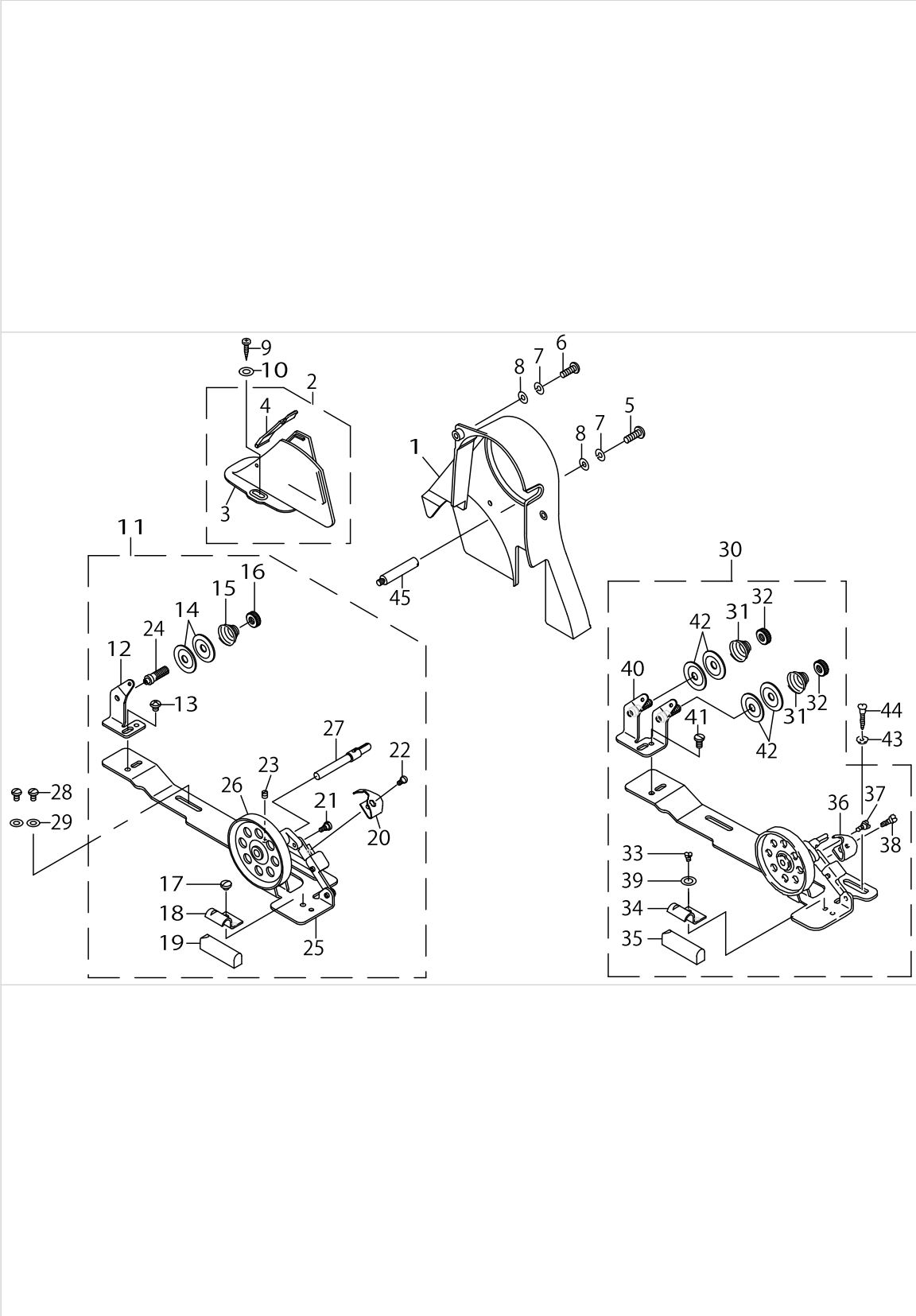
No.	Parts No.	Parts name	Remarks	Level	Cons	Qty
1	22924708	OIL SIGHT WINDOW				1
2	RO195240100	RUBBER RING				1
3	SS4111815SP	SCREW 11/64 L=18				2
4	10216703	OIL TANK				1
5	NS6110310SN	NUT 11/64-40				2
6	22620355	OIL PIPE ASM.				1
7	22620454	FELT ASM.				1
8	22620702	OIL TUBE				1
9	22620108	PIPE HOLDER, B				1
10	SS4110715SP	SCREW 11/64-40 L=7				1
11	22619209	OIL WICK GUIDE				1
12	SS6121610TP	SCREW 3/16-28 L=15.5				1
13	NS6120310SP	NUT 3/16-28				1
14	22620504	OIL WICK HOLDER				1
15	SS4111215SP	SCREW 11/64-40 L=12				1
16	NS6110420SP	NUT 11/64-40				1
17	B3517009000	OIL FELT REAR				2
18	22619415	OIL ADJUSTING SHAFT				1
19	SS8701782TP	SCREW 5/16-24 L=17.0				1
20	NS6700420SP	NUT 5/16-24				1
21	22620801	PIPE HOLDER				1
22	SS6111610SP	SCREW 11/64-40 L=16				1
23	40012577	PIPE HOLDER				1
24	SS4110615SP	SCREW 11/64-40 L=6				1
25	22619803	VILENE HOLDER				1
26	SS4110715SP	SCREW 11/64-40 L=7				1
27	22619605	VILENE				1
28	22619001	SUCTION				1
29	SS2110930SP	SCREW 11/64-40 L=8.7				1
30	B1851512000	FILTER SCREEN				1
31	B1850512000	BUSHING HOLDER				1
32	SS7090910SP	SCREW 9/64-40 L= 8.5				1
33	NS6090310SP	NUT 9/64-40				1
34	10623403	BASE				1
35	SS6111610SP	SCREW 11/64-40 L=16				2
36	B1834512000A	OIL ADJUSTING SCREW				1
37	NS6110310SP	NUT 11/64-40				1
38	23630007	TUBE				0.12
39	SQ1150451MZ	CONNECTING SCREW				1
40	SQ1110401MZ	CONNECTING SCREW	FOR LH-3128-7			1
41	23630007	TUBE				0.02
42	23630007	TUBE				0.08
43	23630007	TUBE				0.09
44	13765607	OIL CONNEC. ARM				3
45	23630007	TUBE				0.51
46	23630007	TUBE				0.4
47	23630007	TUBE				0.05



LUBRICATION COMPONENTS

No.	Parts No.	Parts name	Remarks	Level	Cons	Qty
48	23630007	TUBE				0.21
49	23630007	TUBE				0.15
50	SQ1110401MZ	CONNECTING SCREW				2
51	B3534155000	PLUNGER				1
52	B1214038000	PLUNGER SPRING				1
53	B3524552000	PLUNGER THRUST PLATE				1
54	SS4110815SP	SCREW 11/64-40 L=8				1
55	B3534012000	GASKET				1
56	B3538112000	OIL RETURN TUBE HOLDER				1
57	SS4110815SP	SCREW 11/64-40 L=8				1
58	EA9500B0100	CABLE BAND				3
59	B1414512000	OIL WICK RETAINER				1
60	23630007	TUBE				0.01
61	23630007	TUBE				0.01
62	22619704	OILING JOINT	FOR LH-3128			1
63	22619704	OILING JOINT	FOR LH-3128-7			1
64	SQ1110401MZ	CONNECTING SCREW	FOR LH-3128			1

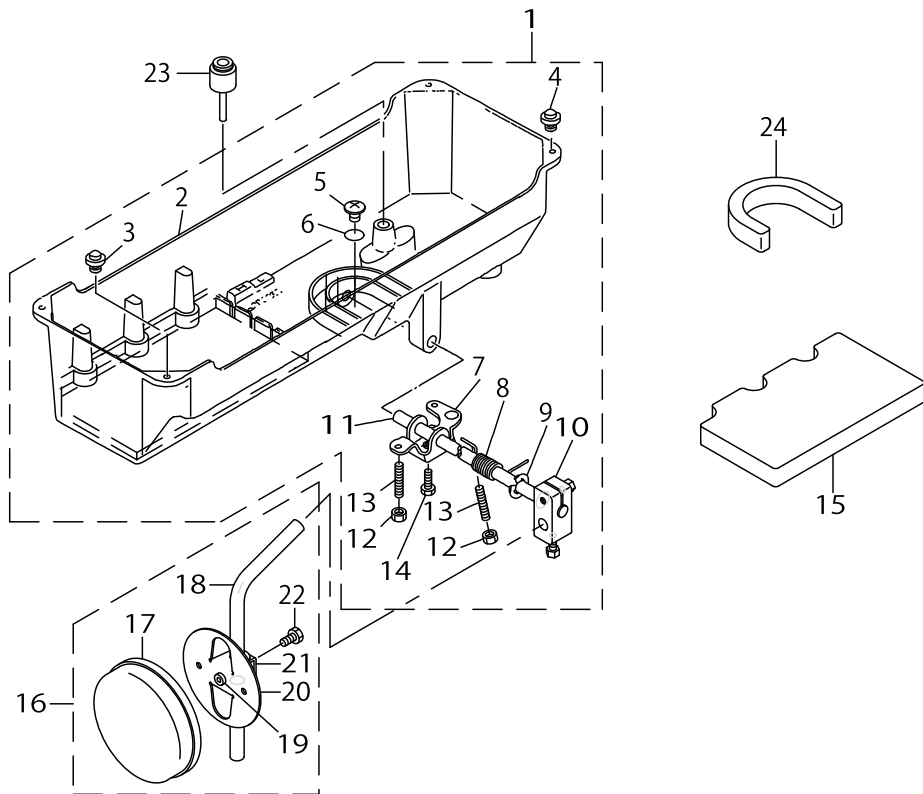
BELT COVER & BOBBIN WINDER COMPONENTS



BELT COVER & BOBBIN WINDER COMPONENTS

No.	Parts No.	Parts name	Remarks	Level	Cons	Qty
1	22603401	BELT COVER A ASM.				1
2	11076858	BELT COVER B COMPL.				1
3	11076809	BELT COVER B		*		1
4	11076957	BELT COVER B CAP ASM.		*		1
5	SS4111215SP	SCREW 11/64-40 L=12				2
6	SS6121610TP	SCREW 3/16-28 L=15.5				1
7	WS0451040KP	SPRING WASHER 4.5X8.5X1				3
8	WP0501016SD	WASHER 5X10.5X1				3
9	SK3412000SC	WOOD SCREW D=4.1 L=20				2
10	WP0501016SC	WASHER 5X10.5X1				2
11	22927354	BOBBIN WINDER COMPL.				1
12	22928501	THREAD TENSION POST BASE		*		1
13	SS4110515SP	SCREW 11/64-40 L=5		*		1
14	22928907	THREAD TENSION DISK		*		2
15	22929004	THREAD TENSION SPRING		*		1
16	22928808	NUT		*		1
17	SS7110350SP	SCREW 11/64-40 L=3.5		*		1
18	22928402	CONTROL RUBBER HOLDING PLATE		*		1
19	22928303	CONTROL RUBBER		*		1
20	22928105	BOBBIN PRESSER		*		1
21	SD0490261SP	HINGE SCREW D=4.9 H=2.6		*		1
22	SS7081310SP	SCREW 1/8-44 L=12.5		*		1
23	SS8110510SP	SCREW 11/64-40 L=5		*		1
24	22928709	THREAD TENSION POST		*		1
25	22927305	BOBBIN WINDER BASE		*		1
26	22927404	BOBBIN WINDER		*		1
27	22927602	BOBBIN WINDER SPINDLE		*		1
28	WP0501016SC	WASHER 5X10.5X1				2
29	SK3482500SC	WOOD SCREW D=4.8 L=25				2
30	22621155	THREAD WINDER COMPL.	FOR JE			1
31	22929004	THREAD TENSION SPRING		*		2
32	22928808	NUT		*		2
33	SS4110515SP	SCREW 11/64-40 L=5		*		1
34	22928402	CONTROL RUBBER HOLDING PLATE		*		1
35	22928303	CONTROL RUBBER		*		1
36	22621106	BOBBIN PRESSER		*		1
37	SD0490261SP	HINGE SCREW D=4.9 H=2.6		*		1
38	SS7081310SP	SCREW 1/8-44 L=12.5		*		1
39	WP0480856SP	WASHER 4.8X8.4X0.8		*		1
40	22621056	TENSION BAR BASE COMPL.		*		1
41	SS7110840SP	SCREW 11/64-40 L=7.8		*		1
42	22928907	THREAD TENSION DISK		*		4
43	WP0501016SC	WASHER 5X10.5X1				2
44	SK3482500SC	WOOD SCREW D=4.8 L=25				2
45	B8233555000	BELT COVER SUPPORT STUD				2

OIL RESERVOIR & KNEE LIFTER COMPONENTS

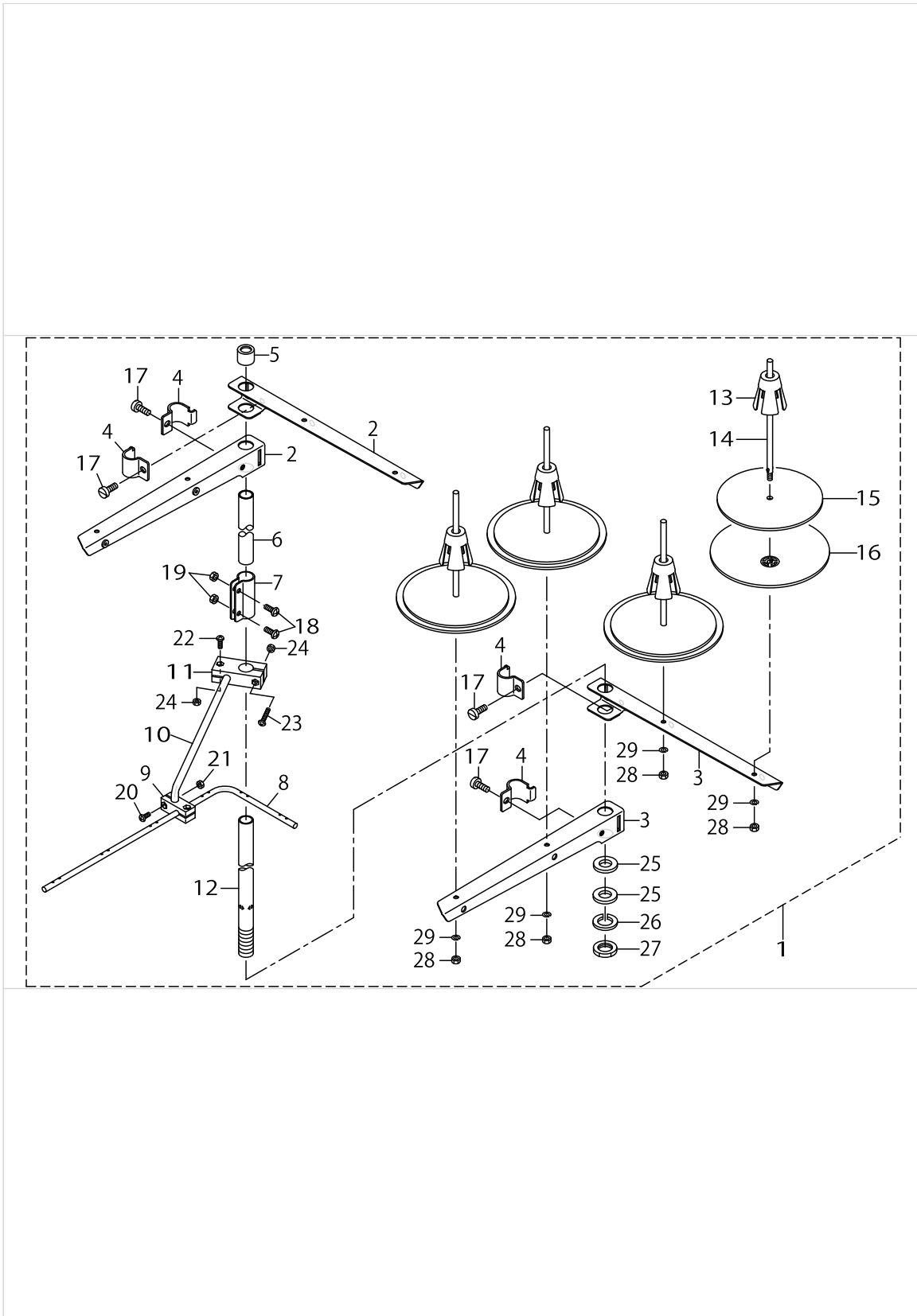


OIL RESERVOI & KNEE LIFTER COMPONENTS

No.	Parts No.	Parts name	Remarks	Level	Cons	Qty
1	10162253	OIL RESERVOIR ASM.				1
2	10162204	OIL RESERVOIR		*		1
3	10162600	RUBBER CUSHION		*		2
4	11047107	RUBBER CUSHION		*		2
5	SM0081001SD	SCREW		*		1
6	RO098240100	RUBBER RING		*		1
7	11024015	CONNECTING ROT, VERTICAL		*		1
8	11024106	SPRING		*		1
9	RE1000000K0	E-RING 10		*		1
10	22932453	BRACKET ASM.		*		1
11	11024205	KNEE PRESS ROD		*		1
12	NM6060001SE	NUT M6		*		2
13	SM8063012TR	SCREW M6 L=30		*		2
14	SM9061853SR	SCREW M6 L=17.5		*		1
15	22622104	OIL RESERVOIR SPACER, B				1
16	22934251	KNEE PAD PLATE ASM.				1
17	22934509	KNEE PAD PLATE COVER		*		1
18	22934608	KNEE PAD UPRIGHT SHAFT		*		1
19	22934400	KNEE PAD PLATE RUBBER		*		1
20	22934202	KNEE PAD PLATE		*		1
21	22934301	KNEE PAD PLATE SUPPORT		*		1
22	SM9061203SE	SCREW M6 L=12		*		1
23	11024304	KNEE PRESS LIFTER ROD				1
24	22622005	OIL RESERVOIR SPACER, A				1



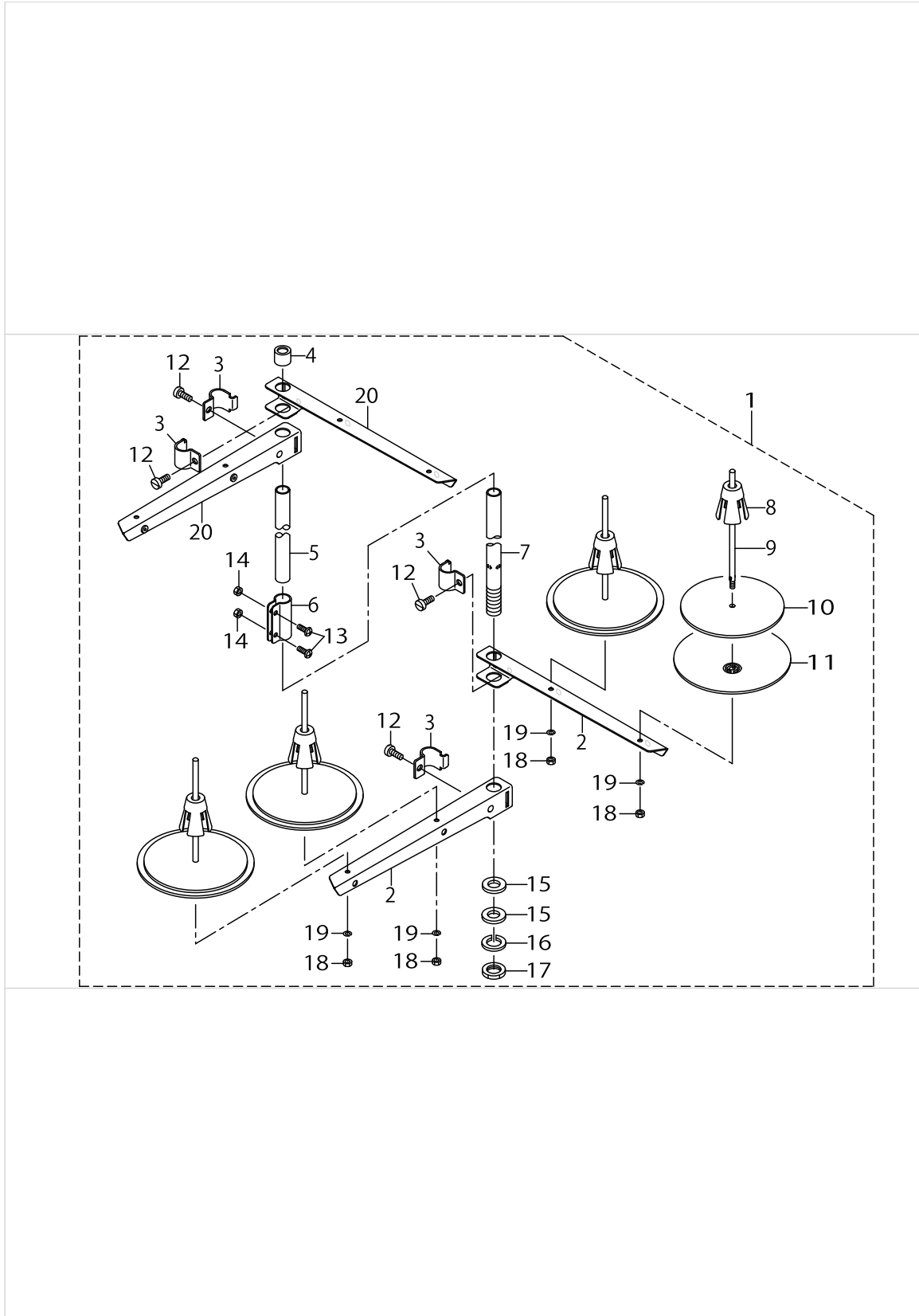
THREAD STAND COMPONENTS (1) (FOR USE IN JAPAN)



THREAD STAND COMPONENTS (1) (FOR USE IN JAPAN)

No.	Parts No.	Parts name	Remarks	Level	Cons	Qty
1	13167556	THREAD STANDING DEVICE ASM.				1
2	22930556	SPOOL REST ARM ASM.		*		2
3	22930507	SPOOL REST ARM		*		2
4	22930705	THREAD GUIDE ARM JOINT		*		4
5	22931406	THREAD STANDING ROD RUBBER CAP		*		1
6	22930408	THREAD STANDING ROD, UPPER		*		1
7	22931307	THREAD STANDING ROD JOINT		*		1
8	13167903	THREAD STANDING THREAD GUIDE		*		1
9	13168000	THREAD STANDING GUIDE BASE		*		1
10	13168109	THREAD STANDING GUIDE ARM		*		1
11	13168208	THREAD STANDING GUIDE ARM BASE		*		1
12	22930309	THREAD STANDING ROD, LOWER		*		1
13	22931109	SPOOL RETAINER		*		4
14	22931000	SPOOL PIN		*		4
15	22930903	SPOOL REST CUSHION		*		4
16	22930804	SPOOL REST		*		4
17	SM6061610SC	SCREW M6 L=16		*		4
18	SM4051405SE	SCREW M5 L=14		*		2
19	NM6050001SE	NUT M5		*		2
20	SM4041001SC	SCREW M4X0.7 L=10		*		2
21	NM6040002SE	NUT M4X0.7		*		2
22	SM4041201SC	SCREW M4 L=12		*		1
23	SM4042001SC	SCREW M4 X 20		*		1
24	NM6040002SE	NUT M4X0.7		*		2
25	WP1612616SE	WASHER 16X30X2.6		*		2
26	WS1643202KR	SPRING WASHER		*		1
27	NM6160511SE	NUT M16X1.5		*		1
28	NM6050001SE	NUT M5		*		4
29	WS0510002KN	SPRING WASHER		*		4

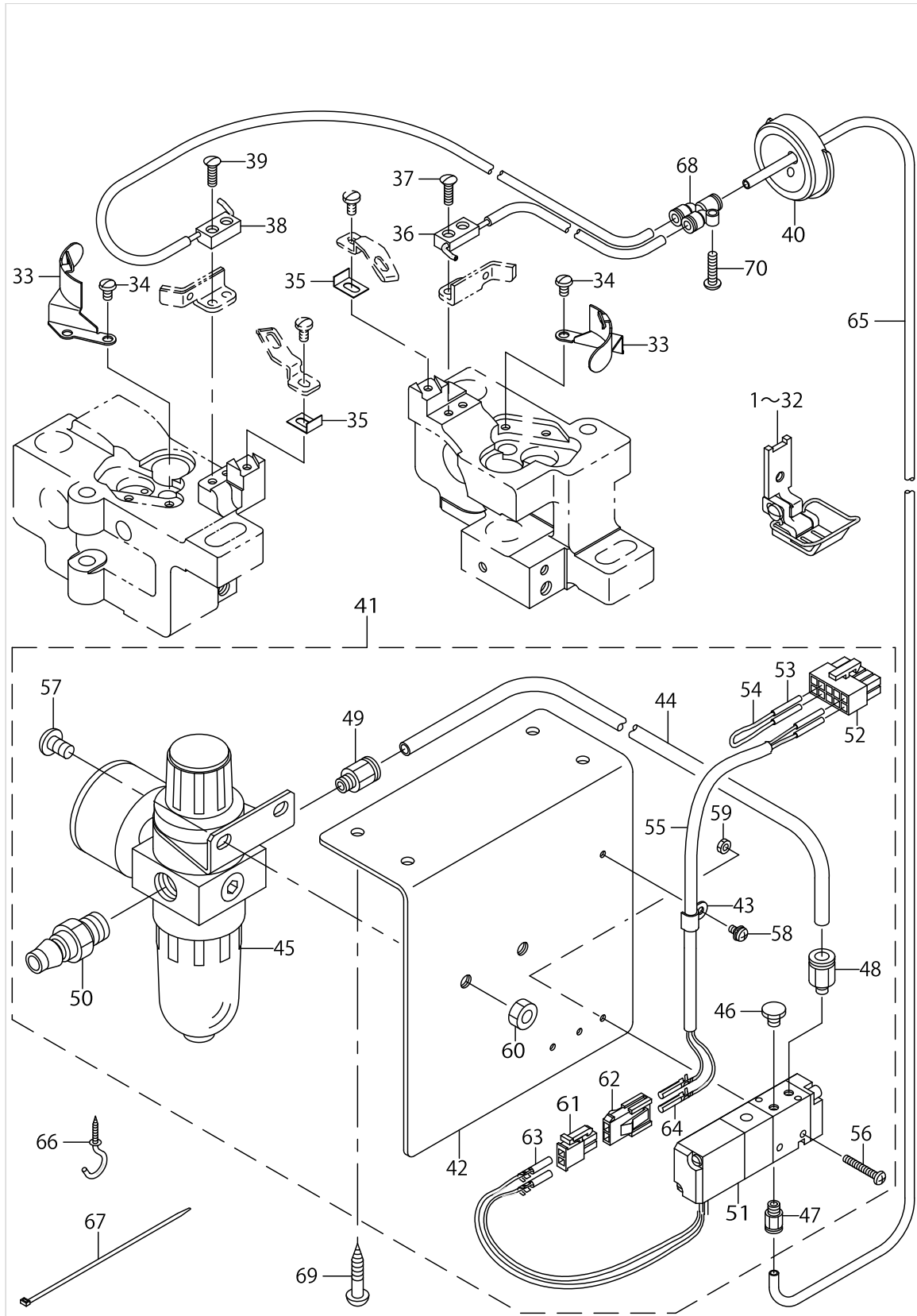
THREAD STAND COMPONENTS (2) (EXCEPT USE IN JAPAN)



THREAD STAND COMPONENTS (2) (EXCEPT USE IN JAPAN)

No.	Parts No.	Parts name	Remarks	Level	Cons	Qty
1	26910158	THREAD STANDING DEVICE ASM.				1
2	22930507	SPOOL REST ARM		*		2
3	22930705	THREAD GUIDE ARM JOINT		*		4
4	22931406	SPOOL REST ROD RUBBER CAP		*		1
5	22930408	SPOOL REST ROD, UPPER		*		1
6	22931307	SPOOL REST ROD JOINT		*		1
7	22930309	SPOOL REST ROD, LOWER		*		1
8	22931109	SPOOL RETAINER		*		4
9	22931000	SPOOL PIN		*		4
10	22930903	SPOOL REST CUSHION		*		4
11	22930804	SPOOL REST		*		4
12	SM6061610SC	SCREW M6 L=16		*		4
13	SM4051405SE	SCREW M5 L=14		*		2
14	NM6050001SE	NUT M5		*		2
15	WP1612616SE	WASHER 16X30X2.6		*		2
16	WS1643202KR	SPRING WASHER		*		1
17	NM6160511SE	NUT M16X1.5		*		1
18	NM6050001SE	NUT M5		*		4
19	WS0510002KN	SPRING WASHER		*		4
20	22930556	THREAD STANDING ARM ASM.		*		2

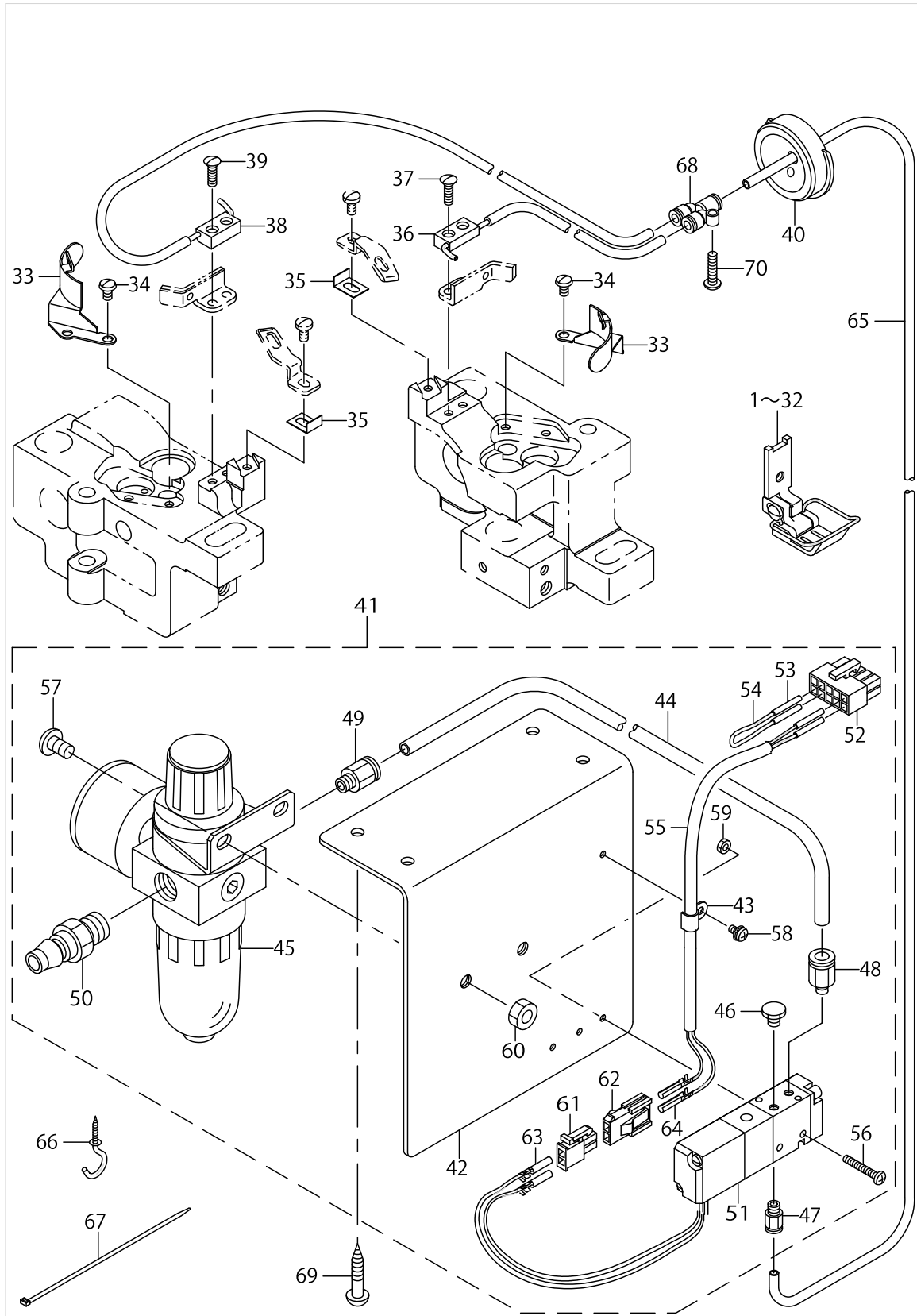
LH-3128-7 EXCLUSIVE PARTS FOR BOBBIN THREAD CLAMPLESS TYPE



## LH-3128-7 EXCLUSIVE PARTS FOR BOBBIN THREAD CLAMPLESS TYPE

No.	Parts No.	Parts name	Remarks	Level	Cons	Qty
1	22673859	SLIDE PRESSER FOOT ASM.1/4	TYPE S			1
2	22673552	SLIDE PRESSER FOOT ASM.5/32	TYPE S			1
3	22673651	SLIDE PRESSER FOOT ASM.3/16	TYPE S			1
4	22673750	SLIDE PRESSER FOOT ASM.7/32	TYPE S			1
5	22673958	SLIDE PRESSER FOOT ASM.9/32	TYPE S			1
6	22674055	SLIDE PRESSER FOOT ASM.5/16	TYPE S			1
7	22674154	SLIDE PRESSER FOOT ASM.3/8	TYPE S			1
8	22674253	SLIDE PRESSER FOOT ASM.7/16	TYPE S			1
9	22674352	SLIDE PRESSER FOOT ASM.1/2	TYPE S			1
10	22674451	SLIDE PRESSER FOOT ASM.5/8	TYPE S			1
11	22674550	SLIDE PRESSER FOOT ASM.3/4	TYPE S			1
12	22674659	SLIDE PRESSER FOOT ASM.7/8	TYPE S			1
13	22674758	SLIDE PRESSER FOOT ASM.1	TYPE S			1
14	22674857	SLIDE PRESSER FOOT ASM.1.1/8	TYPE S			1
15	22674956	SLIDE PRESSER FOOT ASM.1.1/4	TYPE S			1
16	22671853	SLIDE PRESSER FOOT ASM.3/32	TYPE A			1
17	22671952	SLIDE PRESSER FOOT ASM.1/8	TYPE A			1
18	22672059	SLIDE PRESSER FOOT ASM.5/32	TYPE A			1
19	22672158	SLIDE PRESSER FOOT ASM.3/16	TYPE A			1
20	22672257	SLIDE PRESSER FOOT ASM.7/32	TYPE A			1
21	22672356	SLIDE PRESSER FOOT ASM.1/4	TYPE A			1
22	22672455	SLIDE PRESSER FOOT ASM.9/32	TYPE A			1
23	22672554	SLIDE PRESSER FOOT ASM.5/16	TYPE A			1
24	22672653	SLIDE PRESSER FOOT ASM.3/8	TYPE A			1
25	22672752	SLIDE PRESSER FOOT ASM.7/16	TYPE A			1
26	22672851	SLIDE PRESSER FOOT ASM.1/2	TYPE A			1
27	22672950	SLIDE PRESSER FOOT ASM.5/8	TYPE A			1
28	22673057	SLIDE PRESSER FOOT ASM.3/4	TYPE A			1
29	22673156	SLIDE PRESSER FOOT ASM.7/8	TYPE A			1
30	22673255	SLIDE PRESSER FOOT ASM.1	TYPE A			1
31	22673354	SLIDE PRESSER FOOT ASM.1.1/8	TYPE A			1
32	22673453	SLIDE PRESSER FOOT ASM.1.1/4	TYPE A			1
33	22675706	RECTIFICATION PLATE				2
34	SS5090610SP	SCREW 9/64-40 L=6				4
35	22675904	COUNTER KNIFE SPACER				2
36	22675656	AIR NOZZLE ASM.,RIGHT				1
37	SS2091210SP	SCREW 9/64-40 L=12.3				2
38	22675557	AIR NOZZLE ASM.,LEFT				1
39	SS2091210SP	SCREW 9/64-40 L=12.3				2
40	22671101	RUBBER PLUG				1
41	22675854	SOLENOID VALVE MOUNT PLATE ASM				1
42	22675805	SOLENOID VALVE MOUNT PLATE		*		1
43	B3538112000	OIL RETURN TUBE HOLDER		*		1
44	BT0600401EB	TUBE		*		0.2
45	PF0552040A0	FILTER REGULATOR ASM.		*		1
46	PJ020500001	PLUG		*		1
47	PJ301040502	HALF UNION 4XM5		*		1

LH-3128-7 EXCLUSIVE PARTS FOR BOBBIN THREAD CLAMPLESS TYPE



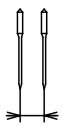
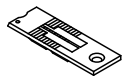
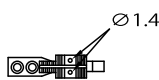
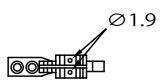
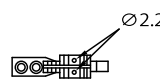
LH-3128-7 EXCLUSIVE PARTS FOR BOBBIN THREAD CLAMPLESS TYPE

No.	Parts No.	Parts name	Remarks	Level	Cons	Qty
48	PJ301060503	HALF UNION		*		1
49	PJ301065201	HALF UNION 6XPT1/4		*		1
50	PJ309005203	QUICK JOINT PLUG		*		1
51	PV130523000	MAGNETIC VALVE		*		1
52	HK034610100	10P CONNECTOR		*		1
53	HK03464000B	PIN CONTACT		*		4
54	HW100470990	VINYL COVERED WIRE		*		0.1
55	HW500140000	2-C CABLE		*		1
56	SM4032001SC	SCREW M3X0.5 L=20		*		2
57	SM4061001SB	SCREW M6 L=10		*		2
58	SL4030691SC	SCREW M3X6		*		1
59	NM6030001SB	NUT M3		*		2
60	NM6060001SB	NUT M6		*		2
61	HK034610020	2-POLE NYLON PLUG		*		1
62	HK034620020	2P PLUG		*		1
63	HK03464000B	PIN CONTACT		*		2
64	HK034630000	TERMINAL		*		2
65	BT0400201EB	TUBE4X2				1.3
66	D2113555B00	CORD SET HOOK, B				2
67	EA9500B0100	CABLE BAND				4
68	PJ308040002	QUICK COUPLING				1
69	SK3482500SC	WOOD SCREW D=4.8 L=25				4
70	SS4091520SP	SCREW 9/64-40 L=15				1



TABLE OF EXCHANGING GAUGE PARTS (1)

(糸切なし) (Without thread trimmer)

Needle gauge size 針 幅			Throat plate 針 板		Feed Dog 送 り 歯					
Code コード										
	inch	mm	Ref.No.	Part No.	Ref.No.	Part No.	Ref.No.	Part No.	Ref.No.	Part No.
A	3/32	2.4	1	226-25008	20	226-35007				
B	1/8	3.2	2	226-25107	21	226-30107				
C	5/32	4.4	3	226-25206	22	226-35205	39	226-30206		
D	3/16	4.8	4	226-25305	23	226-35304	40	226-30404	56	B1613-512-DOH
E	7/32	5.6	5	226-25404	24	226-35403	41	226-30503	57	B1613-512-E0H
F	1/4	6.4	6	226-25503	25	226-35502	42	226-30602	58	B1613-512-F0H
G	9/32	7.1	7	226-25602	26	226-35700	43	226-30800	59	B1613-512-G0H
H	5/16	7.9	8	226-25701	27	226-35809	44	226-30909	60	B1613-512-H0H
K	3/8	9.5	9	226-25800	28	226-35908	45	226-31006	61	B1613-512-K0H
W	7/16	11.1	10	226-25909	29	226-36005	46	226-31105		*
L	1/2	12.7	11	226-26006	30	226-36203	47	226-31303	62	B1613-512-L0H
M	5/8	15.9	12	226-26105	31	226-36302	48	226-31402	63	B1613-512-M0H
N	3/4	19.1	13	226-26204	32	226-36401	49	226-31501	64	B1613-512-N0H
P	7/8	22.2	14	226-26303	33	226-36609	50	226-31709	65	B1613-512-P0H
Q	1	25.4	15	226-26402	34	226-36708	51	226-31808	66	B1613-512-Q0H
R	1 1/8	28.6	16	226-26501	35	226-36807	52	226-31907	67	B1613-512-R0H
S	1 1/4	31.8	17	226-26600	36	226-36906	53	226-32004	68	B1613-512-S0H
T	1 3/8	34.9	18	226-26709	37	226-37003	54	226-32103	69	B1613-512-T0H
U	1 1/2	38.1	19	226-25808	38	226-37102	55	226-32202	70	B1613-512-U0H
Stitch spec. 縫 仕 様	S	Spec. common 仕 様 共 通					★			
	A		★							
	G								★	

★ Standard spec.  
☆ Substandard spec.  
\* Special order

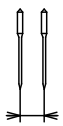
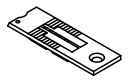
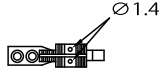
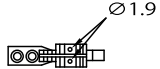
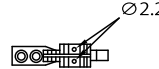
標準仕様  
準標準仕様  
特別注文

TABLE OF EXCHANGING GAUGE PARTS (1)

No.	Parts No.	Parts name	Remarks	Level	Cons	Qty
1	22625008	THROAT PLATE 3/32" (2.4MM)				1
2	22625107	THROAT PLATE 1/8" (3.2MM)				1
3	22625206	THROAT PLATE 5/32" (4MM)				1
4	22625305	THROAT PLATE 3/16" (4.8MM)				1
5	22625404	THROAT PLATE 7/32" (5.6MM)				1
6	22625503	THROAT PLATE 1/4				1
7	22625602	THROAT PLATE 9/32" (7.1MM)				1
8	22625701	THROAT PLATE 5/16" (7.9MM)				1
9	22625800	THROAT PLATE 3/8" (9.5MM)				1
10	22625909	THROT PLATE 7/16 (11.1M)				1
11	22626006	THROAT PLATE 1/2" (12.7MM)				1
12	22626105	THROAT PLATE 5/8" (15.9MM)				1
13	22626204	THROAT PLATE 3/4" (19.1MM)				1
14	22626303	THROAT PLATE 7/8" (22.2MM)				1
15	22626402	THROAT PLATE 1" (25.4MM)				1
16	22626501	THROAT PLATE 1.1/8" (28.6MM)				1
17	22626600	THROAT PLATE 1.1/4" (31.8MM)				1
18	22626709	THROAT PLATE 1.3/8" (34.9MM)				1
19	22625808	THROAT PLATE 1.1/2" (38.1MM)				1
20	22635007	FEED DOG 3/32" (2.4MM)				1
21	22630107	FEED DOG 1/8" (3.2MM)				1
22	22635205	FEED DOG 5/32" (4.0MM)				1
23	22635304	FEED DOG 3/16" (4.8MM)				1
24	22635403	FEED DOG 7/32" (5.6MM)				1
25	22635502	FEED DOG 1/4" (6.4MM)				1
26	22635700	FEED DOG 9/32" (7.1MM)				1
27	22635809	FEED DOG 5/16" (7.9MM)				1
28	22635908	FEED DOG 3/8" (9.5MM)				1
29	22636005	FEED DOG 7/16" (11.1MM)				1
30	22636203	FEED DOG 1/2" (12.7MM)				1
31	22636302	FEED DOG 5/8" (15.9MM)				1
32	22636401	FEED DOG 3/4" (19.1MM)				1
33	22636609	FEED DOG 7/8				1
34	22636708	FEED DOG 1" (25.4MM)				1
35	22636807	FEED DOG 1.1/8" (28.6MM)				1
36	22636906	FEED DOG 1.1/4" (34.9MM)				1
37	22637003	FEED DOG 1.3/8" (34.9MM)				1
38	22637102	FEED DOG 1.1/2" (38.1MM)				1
39	22630206	FEED DOG 5/32" (4.0MM)				1
40	22630404	FEED DOG 3/16" (4.8MM)				1
41	22630503	FEED DOG 7/32" (5.6MM)				1
42	22630602	FEED DOG 1/4				1
43	22630800	FEED DOG 9/32" (7.1MM)				1
44	22630909	FEED DOG 5/16" (7.9MM)				1
45	22631006	FEED DOG 3/8" (9.5MM)				1
46	22631105	FEED DOG 7/16" (11.1MM)				1
47	22631303	FEED DOG 1/2" (12.7MM)				1

TABLE OF EXCHANGING GAUGE PARTS (1)

(糸切なし) (Without thread trimmer)

Needle gauge size 針 幅			Throat plate 針 板		Feed Dog 送 り 歯					
Code コード										
	inch	mm	Ref.No.	Part No.	Ref.No.	Part No.	Ref.No.	Part No.	Ref.No.	Part No.
A	3/32	2.4	1	226-25008	20	226-35007				
B	1/8	3.2	2	226-25107	21	226-30107				
C	5/32	4.4	3	226-25206	22	226-35205	39	226-30206		
D	3/16	4.8	4	226-25305	23	226-35304	40	226-30404	56	B1613-512-DOH
E	7/32	5.6	5	226-25404	24	226-35403	41	226-30503	57	B1613-512-E0H
F	1/4	6.4	6	226-25503	25	226-35502	42	226-30602	58	B1613-512-F0H
G	9/32	7.1	7	226-25602	26	226-35700	43	226-30800	59	B1613-512-G0H
H	5/16	7.9	8	226-25701	27	226-35809	44	226-30909	60	B1613-512-H0H
K	3/8	9.5	9	226-25800	28	226-35908	45	226-31006	61	B1613-512-K0H
W	7/16	11.1	10	226-25909	29	226-36005	46	226-31105		*
L	1/2	12.7	11	226-26006	30	226-36203	47	226-31303	62	B1613-512-L0H
M	5/8	15.9	12	226-26105	31	226-36302	48	226-31402	63	B1613-512-M0H
N	3/4	19.1	13	226-26204	32	226-36401	49	226-31501	64	B1613-512-N0H
P	7/8	22.2	14	226-26303	33	226-36609	50	226-31709	65	B1613-512-P0H
Q	1	25.4	15	226-26402	34	226-36708	51	226-31808	66	B1613-512-Q0H
R	1 1/8	28.6	16	226-26501	35	226-36807	52	226-31907	67	B1613-512-R0H
S	1 1/4	31.8	17	226-26600	36	226-36906	53	226-32004	68	B1613-512-S0H
T	1 3/8	34.9	18	226-26709	37	226-37003	54	226-32103	69	B1613-512-T0H
U	1 1/2	38.1	19	226-25808	38	226-37102	55	226-32202	70	B1613-512-U0H
Stitch spec. 縫 仕 様	S	Spec. common 仕 様 共 通					★			
	A		★							
	G								★	

★ Standard spec.

☆ Substandard spec.

\* Special order

標準仕様

準標準仕様

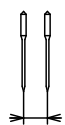
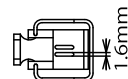
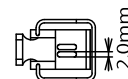
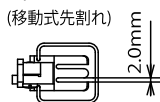
特別注文

TABLE OF EXCHANGING GAUGE PARTS (1)

No.	Parts No.	Parts name	Remarks	Level	Cons	Qty
48	22631402	FEED DOG 5/8" (15.9MM)				1
49	22631501	FEED DOG 3/4" (19.1MM)				1
50	22631709	FEED DOG 7/8" (2.2MM)				1
51	22631808	FEED DOG 1" (25.4MM)				1
52	22631907	FEED DOG 1.1/8" (28.6MM)				1
53	22632004	FEED DOG 1.1/4" (31.4MM)				1
54	22632103	FEED DOG 1.3/8" (34.9MM)				1
55	22632202	FEED DOG 1.1/2" (38.1MM)				1
56	B1613512D0H	FEED DOG 3/16				1
57	B1613512E0H	FEED DOG 7/32				1
58	B1613512F0H	FEED DOG 1/4				1
59	B1613512G0H	FEED DOG 9/32				1
60	B1613512H0H	FEED DOG 5/16				1
61	B1613512K0H	FEED DOG 3/8				1
62	B1613512L0H	FEED DOG 1/2				1
63	B1613512M0H	FEED DOG 5/8				1
64	B1613512N0H	FEED DOG 3/4				1
65	B1613512P0H	FEED DOG 7/8				1
66	B1613512Q0H	FEED DOG 1				1
67	B1613512R0H	FEED DOG 1-1/8				1
68	B1613512S0H	FEED DOG 1-1/4				1
69	B1613512T0H	FEED DOG 1-3/8				1
70	B1613512U0H	FEED DOG 1-1/2				1

TABLE OF EXCHANGING GAUGE PARTS (2)

(糸切なし) (Without thread trimmer)

Needle gauge size 針 幅			Presser Foot asm. 押 さ え(組)					
Code コード								
	inch	mm	Ref.No.	Part No.	Ref.No.	Part No.	Ref.No.	Part No.
A	3/32	2.4	1	226-37557				
B	1/8	3.2	2	226-37656				
C	5/32	4.4	3	226-37755	20	101-52650		
D	3/16	4.8	4	226-37854	21	101-52759	37	226-40353
E	7/32	5.6	5	226-37953	22	101-52858	38	226-40452
F	1/4	6.4	6	226-38050	23	101-52957	39	226-40551
G	9/32	7.1	7	226-38258	24	101-53054	40	226-40759
H	5/16	7.9	8	226-38357	25	101-53153	41	226-40858
K	3/8	9.5	9	226-38456	26	101-53252	42	226-40957
W	7/16	11.1	10	226-38555	27	101-53351	43	226-41054
L	1/2	12.7	11	226-38753	28	101-53450	44	226-41252
M	5/8	15.9	12	226-38852	29	101-53559	45	226-41351
N	3/4	19.1	13	226-38951	30	101-53658	46	226-41450
P	7/8	22.2	14	226-39157	31	101-53757	47	226-41658
Q	1	25.4	15	226-39256	32	101-53856	48	226-41757
R	1 1/8	28.6	16	226-39355	33	101-53955	49	226-41856
S	1 1/4	31.8	17	226-39454	34	101-54052	50	226-41955
T	1 3/8	34.9	18	226-39553	35	101-54151	51	226-42052
U	1 1/2	38.1	19	226-39652	36	101-54250	52	226-42151
Stitch spec. 縫 仕 様	S				★		☆	
	A		★					
	G				☆		★	

★ Standard spec.  
☆ Substandard spec.

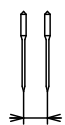
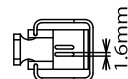
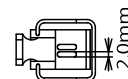
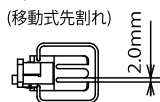
標準仕様  
準標準仕様

TABLE OF EXCHANGING GAUGE PARTS (2)

No.	Parts No.	Parts name	Remarks	Level	Cons	Qty
1	22637557	PRESSER FOOT ASM.3/32"(2.4MM)				1
2	22637656	PRESSER FOOT ASM.1/8"(3.2MM)				1
3	22637755	PRESSER FOOT ASM.5/32"(4.4MM)				1
4	22637854	PRESSER FOOT ASM.3/16"(4.8MM)				1
5	22637953	PRESSER FOOT ASM.7/32"(5.6MM)				1
6	22638050	PRESSER FOOT ASM.1/4"(6.4MM)				1
7	22638258	PRESSER FOOT ASM.9/32"(7.1MM)				1
8	22638357	PRESSER FOOT ASM.5/16"(7.9MM)				1
9	22638456	PRESSER FOOT ASM.3/8"(9.5MM)				1
10	22638555	PRESSER FOOT ASM.7/16"(11.1MM)				1
11	22638753	PRESSER FOOT ASM.1/2"(12.7MM)				1
12	22638852	PRESSER FOOT ASM.5/8"(15.9MM)				1
13	22638951	PRESSER FOOT ASM.3/4"(19.1MM)				1
14	22639157	PRESSER FOOT ASM.7/8"(22.2MM)				1
15	22639256	PRESSER FOOT ASM.1"(25.4MM)				1
16	22639355	PRESSER FOOT ASM.1.1/8"(28.6MM)				1
17	22639454	PRESSER FOOT ASM.1.1/4"(31.8MM)				1
18	22639553	PRESSER FOOT ASM.1.3/8"(34.9MM)				1
19	22639652	PRESSER FOOT ASM.1.1/2"(38.1MM)				1
20	10152650	PRESSER FOOT ASM. 5/32				1
21	10152759	PRESSER FOOT ASM. 3/16				1
22	10152858	PRESSER FOOT ASM. 7/32				1
23	10152957	PRESSER FOOT ASM. 1/4				1
24	10153054	PRESSER FOOT ASM. 9/32				1
25	10153153	PRESSER FOOT ASM. 5/16				1
26	10153252	PRESSER FOOT ASM. 3/8				1
27	10153351	PRESSER FOOT ASM. 7/16				1
28	10153450	PRESSER FOOT ASM. 1/2				1
29	10153559	PRESSER FOOT ASM. 5/8				1
30	10153658	PRESSER FOOT ASM. 3/4				1
31	10153757	PRESSER FOOT ASM. 7/8				1
32	10153856	PRESSER FOOT ASM. 1				1
33	10153955	PRESSER FOOT ASM. 1-1/8				1
34	10154052	PRESSER FOOT ASM. 1-1/4				1
35	10154151	PRESSER FOOT ASM. 1-3/8				1
36	10154250	PRESSER FOOT ASM. 1-1/2				1
37	22640353	PRESSER FOOT ASM.3/16"(4.8MM)				1
38	22640452	PRESSER FOOT ASM.7/32"(5.6MM)				1
39	22640551	PRESSER FOOT ASM.1/4"(6.4MM)				1
40	22640759	PRESSER FOOT ASM.9/32"(7.1MM)				1
41	22640858	PRESSER FOOT ASM.5/16"(7.9MM)				1
42	22640957	PRESSER FOOT ASM.3/8"(9.5MM)				1
43	22641054	PRESSER FOOT ASM.7/16"(11.1MM)				1
44	22641252	PRESSER FOOT ASM.1/2"(12.7MM)				1
45	22641351	PRESSER FOOT ASM.5/8"(15.9MM)				1
46	22641450	PRESSER FOOT ASM.3/4"(19.1MM)				1
47	22641658	PRESSER FOOT ASM.7/8"(22.2MM)				1

TABLE OF EXCHANGING GAUGE PARTS (2)

(糸切なし) (Without thread trimmer)

Needle gauge size 針 幅			Presser Foot asm. 押 さ え(組)					
Code コード								
	inch	mm	Ref.No.	Part No.	Ref.No.	Part No.	Ref.No.	Part No.
A	3/32	2.4	1	226-37557				
B	1/8	3.2	2	226-37656				
C	5/32	4.4	3	226-37755	20	101-52650		
D	3/16	4.8	4	226-37854	21	101-52759	37	226-40353
E	7/32	5.6	5	226-37953	22	101-52858	38	226-40452
F	1/4	6.4	6	226-38050	23	101-52957	39	226-40551
G	9/32	7.1	7	226-38258	24	101-53054	40	226-40759
H	5/16	7.9	8	226-38357	25	101-53153	41	226-40858
K	3/8	9.5	9	226-38456	26	101-53252	42	226-40957
W	7/16	11.1	10	226-38555	27	101-53351	43	226-41054
L	1/2	12.7	11	226-38753	28	101-53450	44	226-41252
M	5/8	15.9	12	226-38852	29	101-53559	45	226-41351
N	3/4	19.1	13	226-38951	30	101-53658	46	226-41450
P	7/8	22.2	14	226-39157	31	101-53757	47	226-41658
Q	1	25.4	15	226-39256	32	101-53856	48	226-41757
R	1 1/8	28.6	16	226-39355	33	101-53955	49	226-41856
S	1 1/4	31.8	17	226-39454	34	101-54052	50	226-41955
T	1 3/8	34.9	18	226-39553	35	101-54151	51	226-42052
U	1 1/2	38.1	19	226-39652	36	101-54250	52	226-42151
Stitch spec. 縫仕様	S				★		☆	
	A		★					
	G				☆		★	

★ Standard spec.  
☆ Substandard spec.

標準仕様  
準標準仕様

TABLE OF EXCHANGING GAUGE PARTS (2)

No.	Parts No.	Parts name	Remarks	Level	Cons	Qty
48	22641757	PRESSER FOOT ASM.1"(25.4MM)				1
49	22641856	PRESSER FOOT ASM.1.1/8"(28.6MM)				1
50	22641955	PRESSER FOOT ASM.1.1/4"(31.8MM)				1
51	22642052	PRESSER FOOT ASM.1.3/8"(34.9MM)				1
52	22642151	PRESSER FOOT ASM.1.1/2"(38.1MM)				1



TABLE OF EXCHANGING GAUGE PARTS (3)

(糸切付き) (With thread trimmer)

Needle gauge size 針 幅		Throat plate (with Thread Trimmer) 針板(糸切付)		Feed dog(with Thread Trimmer) 送り 歯(糸切付)						Needle clamp asm. 針 留(組)		
Code コード	針 幅		Ref.No.	Part No.	φ1.4		φ2.0		3mm / 2mm		Ref.No.	Part No.
	inch	mm			Ref.No.	Part No.	Ref.No.	Part No.	Ref.No.	Part No.		
A	3/32	2.4	1	226-60104	18	226-65004					64	101-47551
B	1/8	3.2	2	226-60203	19	226-65103					65	101-47650
C	5/32	4.4	3	226-60302	20	226-65202	35	102-37907			66	101-47759
D	3/16	4.8	4	226-60401	21	226-65301	36	102-38004	50	102-39101	67	101-47858
E	7/32	5.6	5	226-60500	22	226-65400	37	102-38103	51	102-39200	68	101-47957
F	1/4	6.4	6	226-60609	23	226-65509	38	102-38202	52	102-39309	69	101-48054
G	9/32	7.1	7	226-60708	24	226-65707	39	102-38301	53	102-39408	70	101-48153
H	5/16	7.9	8	226-60807	25	226-65806	40	102-38400	54	102-39507	71	101-48252
K	3/8	9.5	9	226-60906	26	226-65905	41	102-38509	55	102-39606	72	101-48351
W	7/16	11.1	10	226-61003	27	226-66002	42	101-68300	56	101-70801	73	101-48450
L	1/2	12.7	11	226-61102	28	226-66200	43	102-38707	57	102-39804	74	101-48559
M	5/8	15.9	12	226-61201	29	226-66309	44	102-38806	58	102-39903	75	101-48658
N	3/4	19.1	13	226-61300	30	226-66408	45	102-38905	59	101-71106	76	101-48757
P	7/8	22.2	14	226-61409	31	226-66606	46	101-68706	60	101-71205	77	101-48856
Q	1	25.4	15	226-61508	32	226-66705	47	102-39002	61	101-71304	78	101-48955
R	1 1/8	28.6	16	226-61607	33	226-66804	48	101-68904	62	101-71403	79	101-49052
S	1 1/4	31.8	17	226-61706	34	226-66903	49	101-69001	63	101-71502	80	101-49151
T	1 3/8	34.9									81	101-49250
U	1 1/2	38.1									82	101-49359
Stitch spec. 縫 仕 様	S	Spec. common 仕様共通			★		★				Spec. common 仕様共通	
	A		★									
	G						★					

★ Standard spec.                      標準仕様  
 ☆ Substandard spec.                  準標準仕様

TABLE OF EXCHANGING GAUGE PARTS (3)

No.	Parts No.	Parts name	Remarks	Level	Cons	Qty
1	22660104	THROAT PLATE 3/32				1
2	22660203	THROAT PLATE 1/8				1
3	22660302	THROAT PLATE 5/32				1
4	22660401	THROAT PLATE 3/16				1
5	22660500	THROAT PLATE 7/32				1
6	22660609	THROAT PLATE 1/4				1
7	22660708	THROAT PLATE 9/32				1
8	22660807	THROAT PLATE 5/16				1
9	22660906	THROAT PLATE 3/8				1
10	22661003	THROAT PLATE 7/16				1
11	22661102	THROAT PLATE 1/2				1
12	22661201	THROAT PLATE 5/8				1
13	22661300	THROAT PLATE 3/4				1
14	22661409	THROAT PLATE 7/8				1
15	22661508	THROAT PLATE 1				1
16	22661607	THROAT PLATE 1.1/8				1
17	22661706	THROAT PLATE 1.1/4				1
18	22665004	FEED DOG 3/32				1
19	22665103	FEED DOG 1/8				1
20	22665202	FEED DOG 5/32				1
21	22665301	FEED DOG 3/16				1
22	22665400	FEED DOG 7/32				1
23	22665509	FEED DOG 1/4				1
24	22665707	FEED DOG 9/32				1
25	22665806	FEED DOG 5/16				1
26	22665905	FEED DOG 3/8				1
27	22666002	FEED DOG 7/16				1
28	22666200	FEED DOG 1/2				1
29	22666309	FEED DOG 5/8				1
30	22666408	FEED DOG 3/4				1
31	22666606	FEED DOG 7/8				1
32	22666705	FEED DOG 1				1
33	22666804	FEED DOG 1·1/8				1
34	22666903	FEED DOG 1·1/4				1
35	10237907	FEED DOG 5/32				1
36	10238004	FEED DOG 3/16				1
37	10238103	FEED DOG 7/32				1
38	10238202	FEED DOG 1/4				1
39	10238301	FEED DOG 9/32				1
40	10238400	FEED DOG 5/16				1
41	10238509	FEED DOG 3/8				1
42	10168300	FEED DOG 7/16				1
43	10238707	FEED DOG 1/2				1
44	10238806	FEED DOG 5/8				1
45	10238905	FEED DOG 3/4				1
46	10168706	FEED DOG 7/8				1
47	10239002	FEED DOG 1				1

TABLE OF EXCHANGING GAUGE PARTS (3)

(糸切付き) (With thread trimmer)

Needle gauge size 針 幅		Throat plate (with Thread Trimmer) 針板(糸切付)		Feed dog(with Thread Trimmer) 送り 歯(糸切付)						Needle clamp asm. 針 留(組)		
Code コード	針 幅		Ref.No.	Part No.	φ1.4		φ2.0		3mm 2mm		Ref.No.	Part No.
	inch	mm			Ref.No.	Part No.	Ref.No.	Part No.	Ref.No.	Part No.		
A	3/32	2.4	1	226-60104	18	226-65004					64	101-47551
B	1/8	3.2	2	226-60203	19	226-65103					65	101-47650
C	5/32	4.4	3	226-60302	20	226-65202	35	102-37907			66	101-47759
D	3/16	4.8	4	226-60401	21	226-65301	36	102-38004	50	102-39101	67	101-47858
E	7/32	5.6	5	226-60500	22	226-65400	37	102-38103	51	102-39200	68	101-47957
F	1/4	6.4	6	226-60609	23	226-65509	38	102-38202	52	102-39309	69	101-48054
G	9/32	7.1	7	226-60708	24	226-65707	39	102-38301	53	102-39408	70	101-48153
H	5/16	7.9	8	226-60807	25	226-65806	40	102-38400	54	102-39507	71	101-48252
K	3/8	9.5	9	226-60906	26	226-65905	41	102-38509	55	102-39606	72	101-48351
W	7/16	11.1	10	226-61003	27	226-66002	42	101-68300	56	101-70801	73	101-48450
L	1/2	12.7	11	226-61102	28	226-66200	43	102-38707	57	102-39804	74	101-48559
M	5/8	15.9	12	226-61201	29	226-66309	44	102-38806	58	102-39903	75	101-48658
N	3/4	19.1	13	226-61300	30	226-66408	45	102-38905	59	101-71106	76	101-48757
P	7/8	22.2	14	226-61409	31	226-66606	46	101-68706	60	101-71205	77	101-48856
Q	1	25.4	15	226-61508	32	226-66705	47	102-39002	61	101-71304	78	101-48955
R	1 1/8	28.6	16	226-61607	33	226-66804	48	101-68904	62	101-71403	79	101-49052
S	1 1/4	31.8	17	226-61706	34	226-66903	49	101-69001	63	101-71502	80	101-49151
T	1 3/8	34.9									81	101-49250
U	1 1/2	38.1									82	101-49359
Stitch spec. 縫 仕 様	S	Spec. common 仕様共通									Spec. common 仕様共通	
	A			★			★					
	G								★			

★ Standard spec.                      標準仕様  
 ☆ Substandard spec.                  準標準仕様

TABLE OF EXCHANGING GAUGE PARTS (3)

No.	Parts No.	Parts name	Remarks	Level	Cons	Qty
48	10168904	FEED DOG 1-1/8				1
49	10169001	FEED DOG 1-1/4				1
50	10239101	FEED DOG 3/16				1
51	10239200	FEED DOG 7/32				1
52	10239309	FEED DOG 1/4				1
53	10239408	FEED DOG 9/32				1
54	10239507	FEED DOG 5/16				1
55	10239606	FEED DOG 3/8				1
56	10170801	FEED DOG 7/16				1
57	10239804	FEED DOG 1/2				1
58	10239903	FEED DOG 5/8				1
59	10171106	FEED DOG 3/4				1
60	10171205	FEED DOG 7/8				1
61	10171304	FEED DOG 1				1
62	10171403	FEED DOG 1-1/8				1
63	10171502	FEED DOG 1-1/4				1
64	10147551	NEEDLE CLAMP ASM. 3/32				1
65	10147650	NEEDLE CLAMP ASM. 1/8				1
66	10147759	NEEDLE CLAMP ASM. 5/32				1
67	10147858	NEEDLE CLAMP ASM. 3/16				1
68	10147957	NEEDLE CLAMP ASM. 7/32				1
69	10148054	NEEDLE CLAMP ASM. 1/4				1
70	10148153	NEEDLE CLAMP ASM. 9/32				1
71	10148252	NEEDLE CLAMP ASM. 5/16				1
72	10148351	NEEDLE CLAMP ASM. 3/8				1
73	10148450	NEEDLE CLAMP ASM. 7/16				1
74	10148559	NEEDLE CLAMP ASM. 1/2				1
75	10148658	NEEDLE CLAMP ASM. 5/8				1
76	10148757	NEEDLE CLAMP ASM. 3/4				1
77	10148856	NEEDLE CLAMP ASM. 7/8				1
78	10148955	NEEDLE CLAMP ASM. 1				1
79	10149052	NEEDLE CLAMP ASM. 1-1/8				1
80	10149151	NEEDLE CLAMP ASM. 1-1/4				1
81	10149250	NEEDLE CLAMP ASM. 1-3/8				1
82	10149359	NEEDLE CLAMP ASM. 1-1/2				1

TABLE OF EXCHANGING GAUGE PARTS (4)

(LH-3128F用) (For LH-3128F)						* Special order		特別注文				
Needle gauge size 針 幅		Throat plate for Taping テーブ 付用針板		Throat plate 針 板		Feed Dog 送 り 歯		Presser Foot asm. 押 さ え(組)		Swivel guide Presser asm. スイベルガイド押さえ(組)		
Code コート												
	inch	mm	Ref.No.	Part No.	Ref.No.	Part No.	Ref.No.	Part No.	Ref.No.	Part No.	Ref.No.	Part No.
* B	1/8	3.2	1	226-28002	8	226-25107	15	226-34000	22	226-27152	29	226-47051
* C	5/32	4.4	2	226-28101	9	226-25206	16	226-34109	23	226-27251		
* D	3/16	4.8	3	226-28200	10	226-25305	17	226-34208	24	226-27350	30	226-47150
* E	7/32	5.6	4	226-28309	11	226-25404	18	226-34307	25	226-27459	31	226-47259
F	1/4	6.4	5	226-28408	12	226-25503	19	226-34406	26	226-27558	32	226-47358
G	9/32	7.1	6	226-28507	13	226-25602	20	226-34505	27	226-27657	33	226-47457
H	5/16	7.9	7	226-28606	14	226-25701	21	226-34604	28	226-27756	34	226-47556

Needle gauge size 針 幅		Bed Slide asm. (with Tread Trimmer) 滑り板(組) (糸切り付)				Bed Slide asm. (with Tread Trimmer Stitch spec.F) 滑り板 (組) (糸切り無・F仕様)				
Code コート			Bed Slide asm. (Left) 糸切り滑り板(左)組		Bed Slide asm. (Right) 糸切り滑り板(右)組		Bed Slide asm. (Left) 滑り板(左)組		Bed Slide asm. (Right) 滑り板(右)組	
	inch	mm	Ref.No.	Part No.	Ref.No.	Part No.	Ref.No.	Part No.	Ref.No.	Part No.
A	3/32	2.4	35	226-50857	39	226-50352	43	226-01058	47	226-00555
S	S	S								
W	7/16	11.4								
L	1/2	12.7	36	226-50956	40	226-50451	44	226-01157	48	226-00654
S	S	S								
N	3/4	19.1								
P	7/8	22.2	37	226-51053	41	226-50550	45	226-01256	49	226-00753
S	S	S								
Q	1	25.6								
S	1 1/4	31.8	38	226-51152	42	226-50659	46	226-01355	50	226-00852
S	S	S								
U	1 1/2	38.1								

Needle gauge size 針 幅		Front metal 前 メタル		Inner metal 中 メタル		
Code コート						
	inch	mm	Ref.No.	Part No.	Ref.No.	Part No.
A	3/32	2.4	51	B1802-512-0A0-A	53	B1803-515-0A0
S	S	S				
P	7/8	22.2				
Q	1	25.4	52	B1802-512-0AB	54	101-12357
S	S	S				
U	1 1/2	38.1				

Needle gauge size 針 幅		Wiper ワイパー		
Code コート				
	inch	mm	Ref.No.	Part No.
A	3/32	2.4	55	102-09203
S	S	S		
K	3/8	9.5		
W	7/16	11.1	56	102-09500
S	S	S		
M	5/8	15.9		
N	3/4	19.1	57	102-09807
S	S	S		
P	7/8	22.2		
Q	1	25.4	58	102-09906
S	S	S		
S	1 1/4	31.8		

TABLE OF EXCHANGING GAUGE PARTS (4)

No.	Parts No.	Parts name	Remarks	Level	Cons	Qty
1	22628002	THROAT PLATE 1/8				1
2	22628101	THROAT PLATE 5/32				1
3	22628200	THROAT PLATE 3/16				1
4	22628309	THROAT PLATE, 7/32				1
5	22628408	THROAT PLATE 1/4				1
6	22628507	THROAT PLATE 9/32				1
7	22628606	TAPING THROT PLATE 5/16				1
8	22625107	THROAT PLATE 1/8" (3.2MM)				1
9	22625206	THROAT PLATE 5/32" (4MM)				1
10	22625305	THROAT PLATE 3/16" (4.8MM)				1
11	22625404	THROAT PLATE 7/32" (5.6MM)				1
12	22625503	THROAT PLATE 1/4" (6.4MM)				1
13	22625602	THROAT PLATE 9/32" (7.1MM)				1
14	22625701	THROAT PLATE 5/16" (7.9MM)				1
15	22634000	FEED DOG F 1/8				1
16	22634109	FEED DOG F 5/32				1
17	22634208	FEED DOG F 3/16				1
18	22634307	FEED DOG, 7/32				1
19	22634406	FEED DOG F 1/4				1
20	22634505	FEED DOG F 9/32				1
21	22634604	FEED DOG F 5/16				1
22	22627152	PRESSER FOOT F ASM. 1/8				1
23	22627251	PRESSER FOOT F ASM. 5/32				1
24	22627350	F PRESSER FOOT ASM. 3/16				1
25	22627459	PRESSER FOOT ASM., 7/32				1
26	22627558	PRESSER FOOT F ASM. 1/4				1
27	22627657	PRESSER FOOT ASM., F 9/32				1
28	22627756	PRESSER FOOT ASM., F 5/16				1
29	22647051	SWIVEL GUIDE PRESSER ASM. 1/8				1
30	22647150	GUIDE PRESSER ASM. 3/16				1
31	22647259	GUIDE PRESSER ASM. 7/32				1
32	22647358	GUIDE PRESSER ASM. 1/4				1
33	22647457	GUIDE PRESSER ASM. 9/32				1
34	22647556	SWIVEL GUIDE PRESSER ASM.5/16				1
35	22650857	BED SLIDE LEFT, ASM., A				1
36	22650956	LEFT SLIDER PLATE B ASM.				1
37	22651053	BED SLIDE LEFT, ASM., C				1
38	22651152	BED SLIDE LEFT, ASM., D				1
39	22650352	BED SLIDE RIGHT, ASM., A				1
40	22650451	RIGHT SLIDER PLATE B ASM.				1
41	22650550	BED SLIDE RIGHT, ASM., C				1
42	22650659	BED SLIDE RIGHT, ASM., D				1
43	22601058	BED SLIDE LEFT, ASM., A				1
44	22601157	LEFT SLIDER PLATE B ASM.				1
45	22601256	BED SLIDE LEFT, ASM., C				1
46	22601355	BED SLIDE LEFT, ASM., C				1
47	22600555	BED SLIDE RIGHT, ASM., A				1

TABLE OF EXCHANGING GAUGE PARTS (4)

(LH-3128F用) (For LH-3128F)						* Special order		特別注文				
Needle gauge size 針 幅		Throat plate for Taping テーブ 付用針板		Throat plate 針 板		Feed Dog 送 り 歯		Presser Foot asm. 押 さ え(組)		Swivel guide Presser asm. スイベルガイド押さえ(組)		
Code コート												
	inch	mm	Ref.No.	Part No.	Ref.No.	Part No.	Ref.No.	Part No.	Ref.No.	Part No.	Ref.No.	Part No.
B	1/8	3.2	1	226-28002	8	226-25107	15	226-34000	22	226-27152	29	226-47051
* C	5/32	4.4	2	226-28101	9	226-25206	16	226-34109	23	226-27251		
D	3/16	4.8	3	226-28200	10	226-25305	17	226-34208	24	226-27350	30	226-47150
* E	7/32	5.6	4	226-28309	11	226-25404	18	226-34307	25	226-27459	31	226-47259
F	1/4	6.4	5	226-28408	12	226-25503	19	226-34406	26	226-27558	32	226-47358
G	9/32	7.1	6	226-28507	13	226-25602	20	226-34505	27	226-27657	33	226-47457
H	5/16	7.9	7	226-28606	14	226-25701	21	226-34604	28	226-27756	34	226-47556

Needle gauge size 針 幅		Bed Slide asm. (with Tread Trimmer) 滑り板(組) (糸切り付)				Bed Slide asm. (with Tread Trimmer Stitch spec.F) 滑り板 (組) (糸切り無・F仕様)				
Code コート			Bed Slide asm. (Left) 糸切り滑り板(左)組		Bed Slide asm. (Right) 糸切り滑り板(右)組		Bed Slide asm. (Left) 滑り板(左)組		Bed Slide asm. (Right) 滑り板(右)組	
	inch	mm	Ref.No.	Part No.	Ref.No.	Part No.	Ref.No.	Part No.	Ref.No.	Part No.
A	3/32	2.4	35	226-50857	39	226-50352	43	226-01058	47	226-00555
S	5/32	2.9								
W	7/16	11.4								
L	1/2	12.7	36	226-50956	40	226-50451	44	226-01157	48	226-00654
S	5/8	15.9								
N	3/4	19.1								
P	7/8	22.2	37	226-51053	41	226-50550	45	226-01256	49	226-00753
S	1	25.6								
Q	1	25.6								
S	1 1/4	31.8	38	226-51152	42	226-50659	46	226-01355	50	226-00852
U	1 1/2	38.1								

Needle gauge size 針 幅		Front metal 前 メタル		Inner metal 中 メタル		
Code コート						
	inch	mm	Ref.No.	Part No.	Ref.No.	Part No.
A	3/32	2.4	51	B1802-512-0A0-A	53	B1803-515-0A0
S	5/32	2.9				
P	7/8	22.2				
Q	1	25.4	52	B1802-512-0AB	54	101-12357
S	5/8	15.9				
U	1 1/2	38.1				

Needle gauge size 針 幅		Wiper ワイパー		
Code コート				
	inch	mm	Ref.No.	Part No.
A	3/32	2.4	55	102-09203
S	5/32	2.9		
K	3/8	9.5		
W	7/16	11.1	56	102-09500
S	5/8	15.9		
N	3/4	19.1	57	102-09807
S	5/8	15.9		
P	7/8	22.2		
Q	1	25.4	58	102-09906
S	1 1/4	31.8		

TABLE OF EXCHANGING GAUGE PARTS (4)

No.	Parts No.	Parts name	Remarks	Level	Cons	Qty
48	22600654	RIGHT SLIDER PLATE B ASM.				1
49	22600753	BED SLIDE RIGHT, ASM., C				1
50	22600852	BED SLIDE RIGHT, ASM., D				1
51	B18025120A0A	BUSHING ASM., FRONT				1
52	B18025120AB	BUSHING ASM., FRONT				1
53	B18035150A0	BUSHING ASM., INTERMEDIATE				1
54	10112357	BUSHING ASM. INTERMEDIATE				1
55	10209203	WIPER 3/32"-3/8				1
56	10209500	WIPER				1
57	10209807	WIPER				1
58	10209906	WIPER				1





# NUMERICAL INDEX OF PARTS

PART NO	PAGE	REF NO.	PART NO	PAGE	REF NO.	PART NO	PAGE	REF NO.
10101004	2	3	10148757	58	76	10209807	30	22
10104800	8	61	10148856	58	77	10209807	62	57
10106102	18	50	10148955	58	78	10209906	30	23
10107902	16	39	10149052	58	79	10209906	62	58
10108009	16	13	10149151	58	80	10210805	14	20-80
10108512	12	2	10149250	58	81	10211407	24	6
10108611	12	13	10149359	58	82	10211605	24	2
10109908	12	36	10152650	52	20	10216703	32	4
10110500	12	87	10152759	52	21	10237907	56	35
10110500	14	87	10152858	52	22	10238004	56	36
10110609	12	26	10152957	20	44	10238103	56	37
10111201	14	47	10152957	52	23	10238202	16	36
10111508	14	81	10153054	52	24	10238202	56	38
10112001	12	7	10153153	52	25	10238301	56	39
10112357	62	54	10153252	52	26	10238400	56	40
10112407	12	37	10153351	52	27	10238509	56	41
10112803	12	29	10153450	52	28	10238707	56	43
10112902	12	31	10153559	52	29	10238806	56	44
10116051	24	3	10153658	52	30	10238905	56	45
10116606	24	23	10153757	52	31	10239002	56	47
10116705	24	40	10153856	52	32	10239101	58	50
10116754	24	37	10153955	52	33	10239200	58	51
10116804	24	15	10154052	52	34	10239309	58	52
10116903	24	35	10154151	52	35	10239408	58	53
10117109	24	24	10154250	52	36	10239507	58	54
10117208	24	18	10161305	28	17	10239606	58	55
10117851	26	55	10162204	38	2	10239804	58	57
10119105	28	18	10162253	38	1	10239903	58	58
10119204	28	19	10162600	38	3	10315208	18	62
10124204	10	10	10168300	56	42	10315455	18	63
10124303	10	15	10168706	56	46	10315505	18	56
10125201	20	16	10168904	58	48	10602902	2	2
10147551	58	64	10169001	58	49	10604809	6	15
10147650	58	65	10170801	58	56	10611457	12	19
10147759	58	66	10171106	58	59	10623403	32	34
10147858	58	67	10171205	58	60	10697506	10	36
10147957	58	68	10171304	58	61	10697605	10	41
10148054	8	48	10171403	58	62	10741106	10	11
10148054	58	69	10171502	58	63	11006202	20	7
10148153	58	70	10208551	30	29	11006350	20	6
10148252	58	71	10208700	30	32	11007309	20	8
10148351	58	72	10209203	30	20	11018108	20	20
10148450	58	73	10209203	62	55	11024015	38	7
10148559	58	74	10209500	30	21	11024106	38	8
10148658	58	75	10209500	62	56	11024205	38	11

# NUMERICAL INDEX OF PARTS

PART NO	PAGE	REF NO.	PART NO	PAGE	REF NO.	PART NO	PAGE	REF NO.
11024304	38	23	22603906	6	30	22612105	12	27
11045101	10	12	22604003	6	41	22612204	12	28
11047107	38	4	22604300	6	43	22612303	12	30
11072402	10	14	22604409	6	37	22612402	12	24
11072501	28	13	22604508	6	17	22612501	12	32
11072709	30	2	22604607	6	33	22612600	14	84
11076809	36	3	22604656	6	32	22612659	14	83
11076858	36	2	22604904	6	42	22612758	14	77
11076957	36	4	22605307	6	2	22612808	12	33
11093606	10	13	22605356	6	1	22612907	14	86
11102100	28	5	22605406	6	7	22613004	14	52
11102209	28	6	22606008	8	67	22613103	14	50
11102308	28	11	22606800	8	50	22613400	14	76
11110301	30	13	22607006	8	54	22613509	12	35
11110400	30	11	22607105	8	58	22613608	14	72
11110509	30	12	22607204	8	59	22613905	14	49
11110707	30	8	22607303	8	52	22614101	12	46
11394509	20	24	22607402	8	53	22615009	14	57
11956802	10	22	22608103	20	10	22615108	14	56
13167556	40	1	22608152	20	5	22615207	14	60
13167903	40	8	22608400	20	39·46	22615306	14	59
13168000	40	9	22608509	4	61	22615454	14	55·88
13168109	40	10	22609002	16	27	22615462	14	55·88
13168208	40	11	22609101	16	31	22615702	14	61
13765607	32	44	22609200	16	26	22615801	14	63
22600555	2	42	22609309	18	58	22615959	14	64
22600555	60	47	22609408	16	45	22616254	14	65
22600654	62	48	22609606	18	57	22617005	20	34·48·49
22600753	62	49	22609705	16	38	22617104	20	23
22600852	62	50	22609754	16	37	22617609	10	30
22601058	2	38	22609804	12	9	22617708	10	24
22601058	60	43	22610000	16	6	22617807	10	23
22601157	60	44	22610109	16	2	22617906	10	17
22601256	60	45	22610208	16	4	22618052	10	9
22601355	60	46	22610307	16	8	22618060	10	1~4
22602007	2	17·53	22610406	16	24	22618102	10	6
22602254	2	20	22610505	16	16·66	22618201	10	42
22602304	2	32	22610604	16	9	22618300	10	5
22602601	2	46	22610901	18	16·66	22618458	10	1~4
22603013	2	25	22611602	12	16	22618557	10	1~4
22603112	2	27	22611651	12	15	22618656	10	1~4
22603203	2	29	22611701	12	12	22618706	10	40
22603401	36	1	22611909	14	70	22618805	10	31
22603609	4	50	22612006	12	23	22618904	10	27
22603708	4	51	22612055	12	22	22619001	32	28

NUMERICAL INDEX OF PARTS

PART NO	PAGE	REF NO.	PART NO	PAGE	REF NO.	PART NO	PAGE	REF NO.
22619100	2	11-56	22626303	48	14	22635007	48	20
22619209	32	11	22626402	48	15	22635205	48	22
22619415	32	18	22626501	48	16	22635304	48	23
22619605	32	27	22626600	48	17	22635403	48	24
22619704	34	63-64	22626709	48	18	22635502	48	25
22619803	32	25	22627152	60	22	22635700	48	26
22620108	32	9	22627251	60	23	22635809	48	27
22620355	32	6	22627350	60	24	22635908	48	28
22620454	32	7	22627459	60	25	22636005	48	29
22620504	32	14	22627558	60	26	22636203	48	30
22620702	32	8	22627657	60	27	22636302	48	31
22620801	20	32	22627756	60	28	22636401	48	32
22620801	32	21	22628002	60	1	22636609	48	33
22620900	2	14	22628101	60	2	22636708	48	34
22621056	36	40	22628200	60	3	22636807	48	35
22621106	36	36	22628309	60	4	22636906	48	36
22621155	36	30	22628408	60	5	22637003	48	37
22622005	38	24	22628507	60	6	22637102	48	38
22622104	38	15	22628606	60	7	22637557	52	1
22622351	6	31	22630107	48	21	22637656	52	2
22622401	6	29	22630206	48	39	22637755	52	3
22623102	12	1	22630404	48	40	22637854	52	4
22623201	6	44	22630503	48	41	22637953	52	5
22625008	48	1	22630602	16	35	22638050	52	6
22625107	48	2	22630602	48	42	22638258	52	7
22625107	60	8	22630800	48	43	22638357	52	8
22625206	48	3	22630909	48	44	22638456	52	9
22625206	60	9	22631006	48	45	22638555	52	10
22625305	48	4	22631105	48	46	22638753	52	11
22625305	60	10	22631303	48	47	22638852	52	12
22625404	48	5	22631402	50	48	22638951	52	13
22625404	60	11	22631501	50	49	22639157	52	14
22625503	2	40	22631709	50	50	22639256	52	15
22625503	48	6	22631808	50	51	22639355	52	16
22625503	60	12	22631907	50	52	22639454	52	17
22625602	48	7	22632004	50	53	22639553	52	18
22625602	60	13	22632103	50	54	22639652	52	19
22625701	48	8	22632202	50	55	22640353	52	37
22625701	60	14	22634000	60	15	22640452	52	38
22625800	48	9	22634109	60	16	22640551	52	39
22625808	48	19	22634208	60	17	22640759	52	40
22625909	48	10	22634307	60	18	22640858	52	41
22626006	48	11	22634406	60	19	22640957	52	42
22626105	48	12	22634505	60	20	22641054	52	43
22626204	48	13	22634604	60	21	22641252	52	44

## NUMERICAL INDEX OF PARTS

PART NO	PAGE	REF NO.	PART NO	PAGE	REF NO.	PART NO	PAGE	REF NO.
22641351	52	45	22654503	26	48	22665004	56	18
22641450	52	46	22654552	24	47	22665103	56	19
22641658	52	47	22654602	26	49	22665202	56	20
22641757	54	48	22654800	24	14	22665301	56	21
22641856	54	49	22654909	20	25	22665400	56	22
22641955	54	50	22654958	20	22	22665509	56	23
22642052	54	51	22655005	26	60	22665707	56	24
22642151	54	52	22655104	24	22	22665806	56	25
22647051	60	29	22655153	24	20	22665905	56	26
22647150	60	30	22655302	24	11	22666002	56	27
22647259	60	31	22655401	24	10	22666200	56	28
22647358	60	32	22656003	28	41	22666309	56	29
22647457	60	33	22656102	28	33	22666408	56	30
22647556	60	34	22656201	28	32	22666606	56	31
22650055	2	45	22656300	28	28	22666705	56	32
22650352	2	43	22656409	28	27	22666804	56	33
22650352	60	39	22656508	28	4	22666903	56	34
22650451	60	40	22656557	28	1·2	22671101	44	40
22650550	60	41	22656607	28	12·14	22671853	44	16
22650659	60	42	22656904	28	12·14	22671952	44	17
22650857	2	39	22656953	28	1·2	22672059	44	18
22650857	60	35	22657050	30	28	22672158	44	19
22650956	60	36	22657100	30	18	22672257	44	20
22651053	60	37	22657159	30	1	22672356	44	21
22651152	60	38	22657209	30	6	22672455	44	22
22651202	4	54	22657308	30	9	22672554	44	23
22651459	4	49	22657803	4	11·56	22672653	44	24
22651509	6	21	22660104	56	1	22672752	44	25
22651558	6	20	22660203	56	2	22672851	44	26
22651566	6	19	22660302	56	3	22672950	44	27
22651608	6	45	22660401	56	4	22673057	44	28
22651905	8	68	22660500	56	5	22673156	44	29
22652002	16	28	22660609	2	41	22673255	44	30
22652101	16	10	22660609	56	6	22673354	44	31
22653059	14	79	22660708	56	7	22673453	44	32
22653158	14	78	22660807	56	8	22673552	44	2
22653505	14	53	22660906	56	9	22673651	44	3
22653604	14	51	22661003	56	10	22673750	44	4
22653802	14	48	22661102	56	11	22673859	44	1
22654008	26	61	22661201	56	12	22673958	44	5
22654107	24	31	22661300	56	13	22674055	44	6
22654206	24	5	22661409	56	14	22674154	44	7
22654255	24	4	22661508	56	15	22674253	44	8
22654305	26	53	22661607	56	16	22674352	44	9
22654404	24	44	22661706	56	17	22674451	44	10

# NUMERICAL INDEX OF PARTS

PART NO	PAGE	REF NO.	PART NO	PAGE	REF NO.	PART NO	PAGE	REF NO.
22674550	44	11	22930309	42	7	26910158	42	1
22674659	44	12	22930408	40	6	40009196	30	7
22674758	44	13	22930408	42	5	40012461	24	26
22674857	44	14	22930507	40	3	40012577	32	23
22674956	44	15	22930507	42	2	40017058	20	41
22675557	44	38	22930556	40	2	40021415	4	62
22675656	44	36	22930556	42	20	40030133	22	34·48·49
22675706	44	33	22930705	40	4	40034204	20	11
22675805	44	42	22930705	42	3	40039672	22	34·48·49
22675854	44	41	22930804	40	16	B1104051000	2	31
22675904	44	35	22930804	42	11	B1202512000	6	14
22680656	6	11	22930903	40	15	B1214038000	34	52
22688501	14	85	22930903	42	10	B1414512000	34	59
22811558	4	60	22931000	40	14	B1438512B00	8	51
22818009	4	17·53	22931000	42	9	B1501581000	20	40
22901805	2	34	22931109	40	13	B1505227T00A	20	39·46
22904155	18	52	22931109	42	8	B1515051000	24	46
22907109	20	43	22931307	40	7	B1521555000	20	2
22907505	20	36	22931307	42	6	B1603512000	18	48
22907604	20	37	22931406	40	5	B1604012000A	16	43
22907703	20	38	22931406	42	4	B1610512000	16	33
22907802	20	1	22932453	38	10	B1613512D0H	50	56
22908552	20	4	22934202	38	20	B1613512E0H	50	57
22908800	20	15	22934251	38	16	B1613512F0H	50	58
22908909	20	13	22934301	38	21	B1613512G0H	50	59
22911804	16	18	22934400	38	19	B1613512H0H	50	60
22911903	16	21	22934509	38	17	B1613512K0H	50	61
22912000	16	20	22934608	38	18	B1613512L0H	50	62
22912109	16	19	22937965	6	28	B1613512M0H	50	63
22920201	20	19	22940506	16	22	B1613512N0H	50	64
22920706	2	23	22951552	2	8	B1613512P0H	50	65
22924708	32	1	22952501	28	37	B1613512Q0H	50	66
22927305	36	25	22957104	30	14	B1613512R0H	50	67
22927354	36	11	23203706	6	5	B1613512S0H	50	68
22927404	36	26	23203805	6	6	B1613512T0H	50	69
22927602	36	27	23204258	6	47	B1613512U0H	50	70
22928105	36	20	23204308	6	10	B1633470000	18	65
22928303	36	35	23204506	8	63~65	B1636581B00	16	32
22928402	36	34	23204605	8	63~65	B1653470000	18	67
22928501	36	12	23204704	8	63~65	B18025120A0A	12	3
22928709	36	24	23204803	2	18	B18025120A0A	62	51
22928808	36	32	23630007	32	61	B18025120AB	62	52
22928907	36	42	23630007	34	61	B18035150A0	12	11
22929004	36	31	26226209	28	40	B18035150A0	62	53
22930309	40	12	26226407	28	39	B1816512000	12	5

# NUMERICAL INDEX OF PARTS

PART NO	PAGE	REF NO.	PART NO	PAGE	REF NO.	PART NO	PAGE	REF NO.
B1820051000	12	39	D2113555B00	46	66	NS6090310SP	32	33
B1821051000	12	41	D2427555B00B	24	42	NS6110310SN	32	5
B1822051000	12	42	D2428555B00A	24	41	NS6110310SP	10	8
B1823051000	12	45	D2430555B00	24	39	NS6110310SP	30	10
B1834512000A	32	36	D2464555B00	28	22	NS6110310SP	32	37
B1850512000	32	31	D3129555D00	10	19	NS6110420SP	12	43
B1851512000	32	30	D3159555B00	20	26	NS6110420SP	32	16
B3041980000	26	59	D3163555B00A	20	30	NS6120310SP	32	13
B3112704000	10	21	D3164555B00	20	28	NS6150430SP	8	57
B3114232000	10	20	D3171415B0H	14	62	NS6620310SP	20	27
B3121352000	10	39	EA9500B0100	26	65	NS6680320SP	18	59
B3126012000	10	16	EA9500B0100	34	58	NS6700420SP	32	20
B3129012A00	10	18	EA9500B0100	46	67	PF0552040A0	44	45
B31375270A0	10	32	HA000590000	30	15	PJ020500001	44	46
B3138527000	10	29	HA001900000	28	10	PJ301040502	44	47
B3139527000	10	33	HK034610020	46	61	PJ301060503	46	48
B3141527000	10	25	HK034610100	46	52	PJ301065201	46	49
B3142527000	10	34	HK034610140	26	57	PJ308040002	46	68
B3143527000	10	35	HK034620020	46	62	PJ309005203	46	50
B3417051000	26	62	HK034630000	46	64	PS0300201KP	24	25
B3418180000	24	17	HK03464000B	26	56	PS0600502KP	20	35
B3517009000	32	17	HK03464000B	28	35	PV130523000	46	51
B3524552000	34	53	HK03464000B	30	24	RE0320000K0	30	31
B3534012000	34	55	HK03464000B	46	63	RE0400000K0	28	23
B3534155000	34	51	HW100470990	46	54	RE0500000K0	16	3
B3538112000	34	56	HW200390000	30	16	RE0500000K0	20	18
B3538112000	44	43	HW500070000	28	9	RE0500711KP	16	42
B8233555000	36	45	HW500070000	30	17	RE0900000K0	16	14
B9117051000	12	20-80	HW500140000	46	55	RE1000000K0	38	9
BT0400201EB	46	65	M4002110000	6	22	RO037180100	20	3
BT0500300EA	18	53	M40071100AA	6	23	RO092270200	16	17
BT0600401EB	44	44	M40071100AB	6	24	RO098240100	38	6
CM300200101	4	59	M6043350AAA	4	57	RO195240100	32	2
CM3002001A1	4	58	MDP500B1400	8	66	RO437200200	6	35
CQ202000000	6	3	NM6030001SB	46	59	SB120000100	6	34
CQ202000000	12	44	NM6040002SE	40	24	SB120000200	12	17
CQ252000000	6	8	NM6050001SE	40	28	SD0470281SP	10	7
CQ252000000	18	54	NM6050001SE	42	18	SD0490261SP	36	37
CQ505000000	6	12	NM6050001SP	24	43	SD0500301SP	30	27
CS070081BSH	24	33	NM6060001SB	46	60	SD0600271SP	24	19
CS102121ASH	16	11	NM6060001SE	38	12	SD0600322SD	20	17
CS1470710SH	24	29	NM6160511SE	40	27	SD0640321SP	28	34
CS1471012SH	14	74	NM6160511SE	42	17	SD0650305TP	26	52
D2112555B00	2	48	NS6080210SP	16	46	SD0650321TP	30	5
D2112555B00	4	48	NS6090310SP	30	26	SD0720332SP	20	14

NUMERICAL INDEX OF PARTS

PART NO	PAGE	REF NO.	PART NO	PAGE	REF NO.	PART NO	PAGE	REF NO.
SD0800422CP	16	5	SS4110815SP	2	4	SS7081310SP	36	38
SD0870601SP	8	56	SS4110815SP	14	58	SS7090510SP	10	28
SD0900701TP	18	61	SS4110815SP	16	25	SS7090710SP	24	12
SK3412000SC	36	9	SS4110815SP	34	57	SS7090910SP	8	62
SK3482500SC	36	44	SS4111015SP	4	52	SS7090910SP	32	32
SK3482500SC	46	69	SS4111015SP	20	33	SS7090910TP	20	45
SL4030691SC	46	58	SS4111215SP	20	31	SS7110350SP	36	17
SL4030891SC	30	4	SS4111215SP	32	15	SS7110510SP	18	64
SM0081001SD	38	5	SS4111215SP	36	5	SS7110710SP	14	73
SM4031501SC	28	8	SS4111815SP	32	3	SS7110710SP	16	30
SM4032001SC	46	56	SS4120615SP	2	9	SS7110710SP	28	15
SM4040655SP	28	3	SS4120615SP	10	43	SS7110840SP	36	41
SM4041001SC	40	20	SS4120615SP	28	43	SS7110910SP	18	55
SM4041201SC	40	22	SS4120615SP	30	25	SS7111310TP	18	49
SM4042001SC	40	23	SS4121015SP	2	21	SS7111810SP	14	54
SM4051405SE	40	18	SS4150915SP	2	16	SS7120760SP	6	46
SM4051405SE	42	13	SS4153015SP	28	29	SS7120760SP	12	21
SM4061001SB	46	57	SS5090610SP	4	55	SS7120760SP	28	36
SM6061610SC	40	17	SS5090610SP	24	9	SS7120910SP	16	15
SM6061610SC	42	12	SS5090610SP	44	34	SS7121410TP	16	7
SM6082502TP	14	69	SS6081810SP	18	47	SS7151210SP	28	24
SM8040802SP	28	7	SS6090630SP	2	36	SS7151610SP	24	16
SM8050502TP	16	44	SS6090670TP	16	1	SS7681750TP	6	39
SM8063012TR	38	13	SS6090810SP	14	82	SS8080610SP	24	7
SM9061203SE	38	22	SS6111052TP	24	28	SS8080660TP	8	49
SM9061853SR	38	14	SS6111140SP	2	5	SS8110410TP	24	30
SQ1110401MZ	32	63-64	SS6111210SP	6	26	SS8110510SP	24	34
SQ1110401MZ	34	63-64	SS6111610SP	32	35	SS8110510SP	36	23
SQ1150451MZ	32	39	SS6120940SP	26	63	SS8111010TP	24	21
SS2080810SP	24	1	SS6121212TP	24	13	SS8120740SP	2	24
SS2090710TP	2	35	SS6121610TP	8	60	SS8151150SP	12	14
SS2091210SP	44	39	SS6121610TP	18	60	SS8151150SP	18	51
SS2110920TP	2	37	SS6121610TP	24	54	SS8151150TP	6	9
SS2110920TP	24	27	SS6121610TP	26	54	SS8151550SP	6	25
SS2110930SP	32	29	SS6121610TP	32	12	SS8660530TP	6	36
SS3090520SP	30	33	SS6121610TP	36	6	SS8660530TP	12	75
SS3090610SP	2	19	SS6121840SP	28	38	SS8660530TP	14	75
SS4091520SP	46	70	SS6121860SP	16	23	SS8660610TP	16	12
SS4110515SP	14	66	SS6151040SP	26	58	SS8660810TP	12	6
SS4110515SP	22	47	SS6151220SP	24	38	SS8660810TP	20	42
SS4110515SP	36	33	SS6152440SP	8	55	SS8660810TP	24	32
SS4110615SP	10	37	SS6153040SP	12	38	SS8661030SP	12	18
SS4110615SP	32	24	SS6580752TP	16	34	SS8680540SP	6	13
SS4110715SP	20	29	SS6661110SP	6	16	SS8680810TP	6	40
SS4110715SP	32	26	SS6661110SP	16	29	SS8681650TP	6	38



## NUMERICAL INDEX OF PARTS

PART NO	PAGE	REF NO.
SS8701782TP	32	19
SS9080410SP	24	8
SS9110460CP	2	33
SS9111010SP	26	50
SS9111010SP	28	21
SS9111010SP	30	30
SS9151440CP	16	40
TA0500601M0	14	67
TA0750404R0	2	12
TA0750704R0	2	15
TA1250406R0	2	47
TA1250406R0	4	47
WP0371016SD	12	34
WP0371016SD	30	19
WP0450801SD	6	27
WP0480856SP	36	39
WP0501016SC	36	43
WP0501016SD	10	38
WP0501016SD	26	64
WP0501016SD	28	20
WP0501016SD	36	8
WP0612056SD	28	31
WP0621016SD	16	41
WP0621016SD	28	26
WP0753016SZ	24	36
WP0850002SP	14	68
WP1612616SE	40	25
WP1612616SE	42	15
WS0451040KP	36	7
WS0510002KN	40	29
WS0510002KN	42	19
WS0610002KP	28	30
WS0631510KP	28	25
WS1643202KR	40	26
WS1643202KR	42	16
WT0530002KS	2	10