

MODEL : MOC-3904/MOC-3914

List No : 0936-06

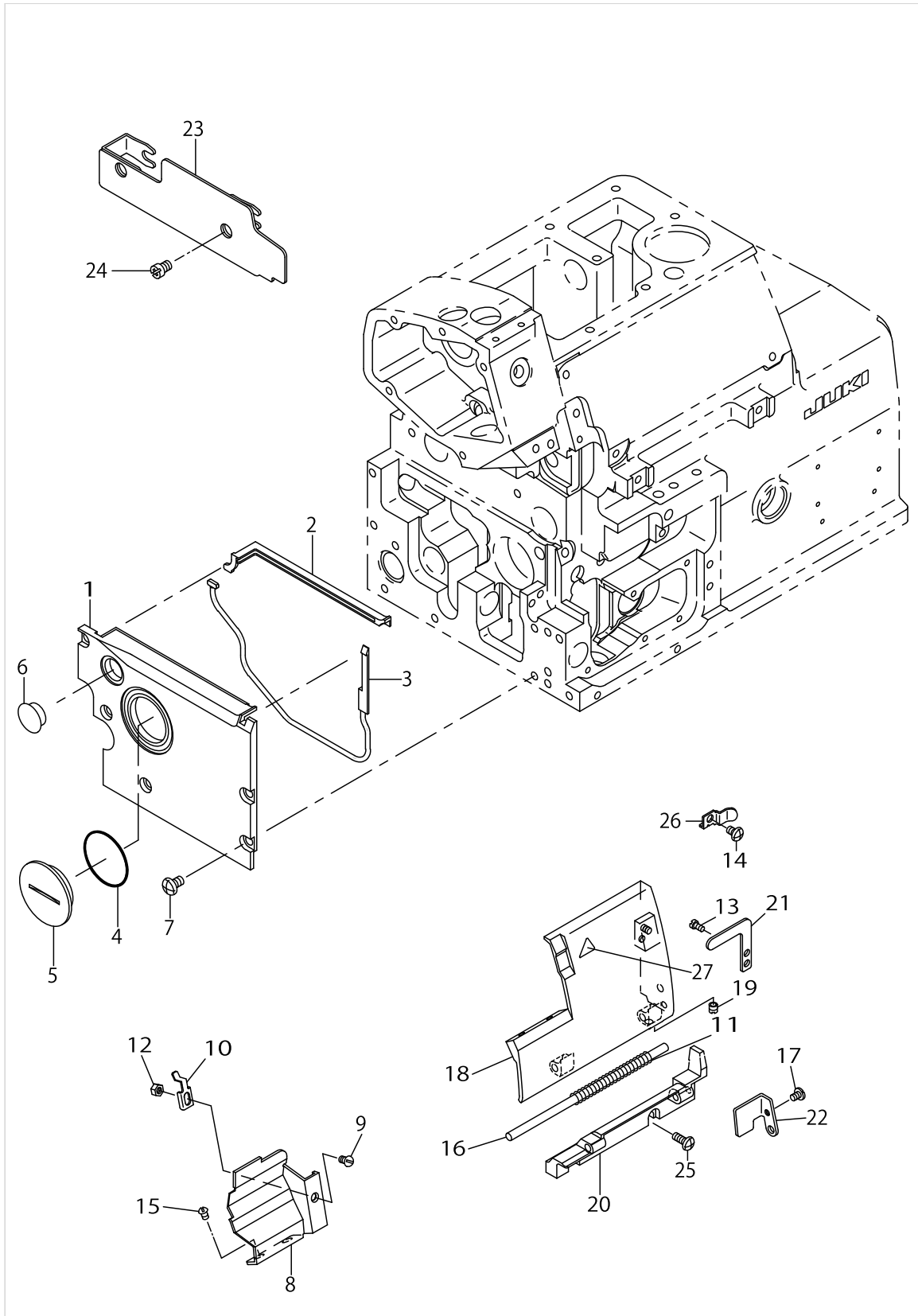
PARTS LIST

Published:09/10/2017

CONTENTS

FRAME COMPONENTS(1).....	1
FRAME COMPONENTS(2).....	3
CRANKSHAFT COMPONENTS	7
NEEDLE DRIVING SHAFT COMPONENTS	11
FEED MECHANISM COMPONENTS(1)	15
FEED MECHANISM COMPONENTS(2)	17
UPPER & LOWER LOOPER COMPONENTS	21
PRESSER FOOT COMPONENTS(1)	25
PRESSER FOOT COMPONENTS(2)	27
THREAD TENSION COMPONENTS	31
LOWER KNIFE COMPONENTS.....	33
UPPER KNIFE COMPONENTS	35
NEEDLE COOLING MECHANISM COMPONENTS.....	37
LUBRICATION MECHANISM COMPONENTS.....	39
SEMI-SUNKEN TYPE TABLE COMPONENTS.....	43
THREAD STAND COMPONENTS(FOR MO-3904,MO-3914).....	45
SPECIAL ORDER PARTS COMPONENTS.....	49
LIST FOR INFORMATION OF CHANGE.....	51
HOW TO MAKE USE OF THIS PARTS LIST	52

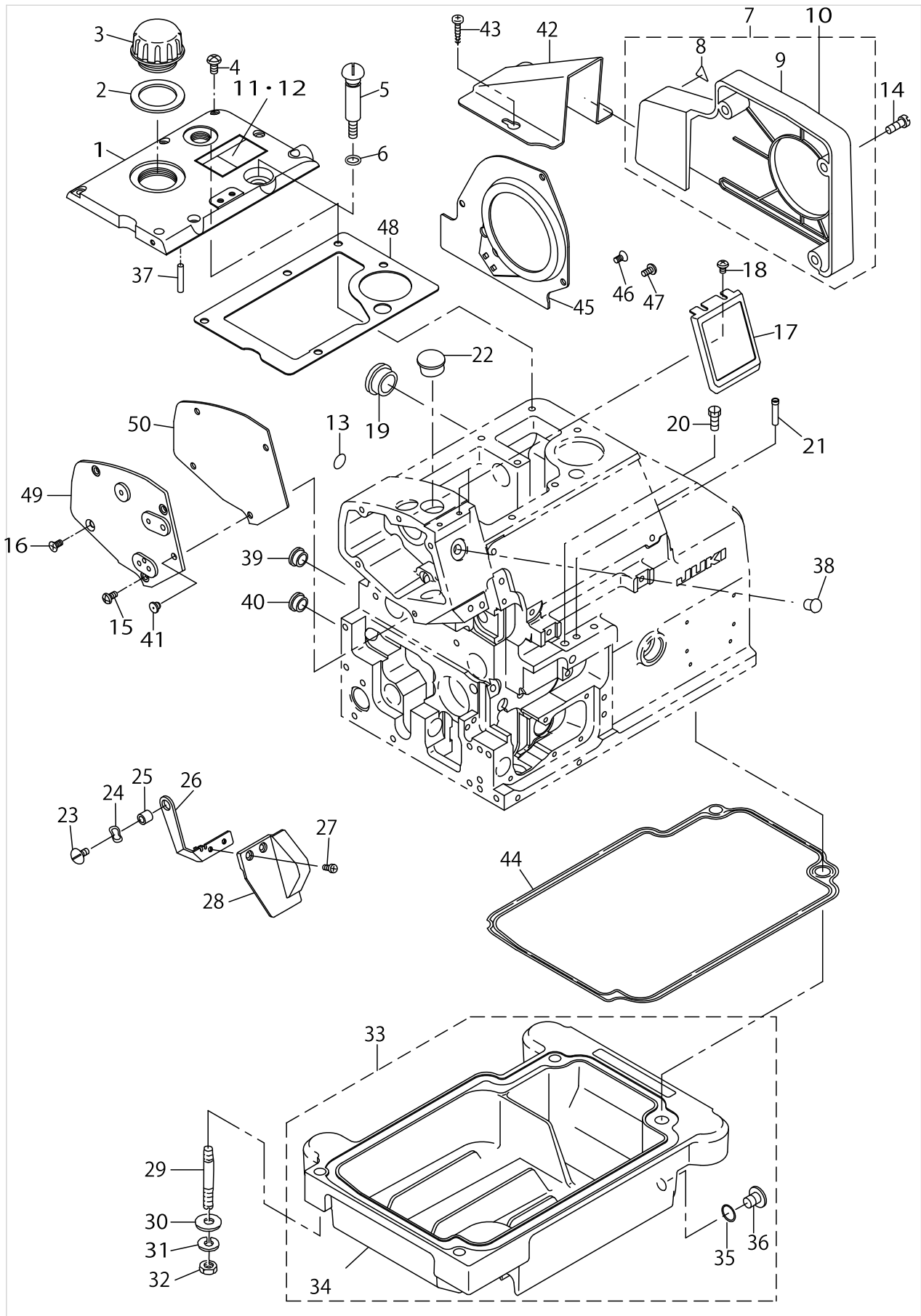
FRAME COMPONENTS(1)



FRAME COMPONENTS(1)

No.	Parts No.	Parts name	Remarks	Level	Cons	Qty
1	12200200	FEED MECHAISM COVER				1
2	12200309	GASKET A				1
3	12200408	GASKET B				1
4	RO315200100	RUBBER RING				1
5	12200507	COVER				1
6	TA1450404R0	RUBBER PLUG D=14.5 L=4				1
7	SM4050855SP	SCREW				5
8	12229100	CHIP GUARD COVER				1
9	SS2090520SL	SCREW 9/64-40 L=5				1
10	12101515	CROTH WASTE COVER STOPPER				1
11	B1140716000	SPRING				1
12	NS6090310SN	NUT 9/64-40				1
13	SS7090530SP	SCREW 9/64-40 L= 4.5				1
14	SM4040655SP	SCREW M4 L=6				1
15	SS3090610SP	SCREW 9/64-40 L=6				2
16	11803004	LOOPER COVER HINGE PIN				1
17	SS7090610SP	SCREW 9/64-40 L=6				1
18	12200903	LOOPER COVER				1
19	SS8110410TP	SCREW 11/64-40 L= 3.5				1
20	12200804	LOOPER COVER BRACKET				1
21	12103206	LOOPER COVER PRESSER PLATE				1
22	12101408	GUIDE PLATE				1
23	12200655	SIDE COVER ASM.				1
24	SS4120615SP	SCREW 3/16-28 L=6				2
25	SM4041055SP	SCREW				2
26	12103404	LOOPER COVER PRESSER SPRING				1
27	CM300200001	ATTENTION SEAL	FOR JE			1

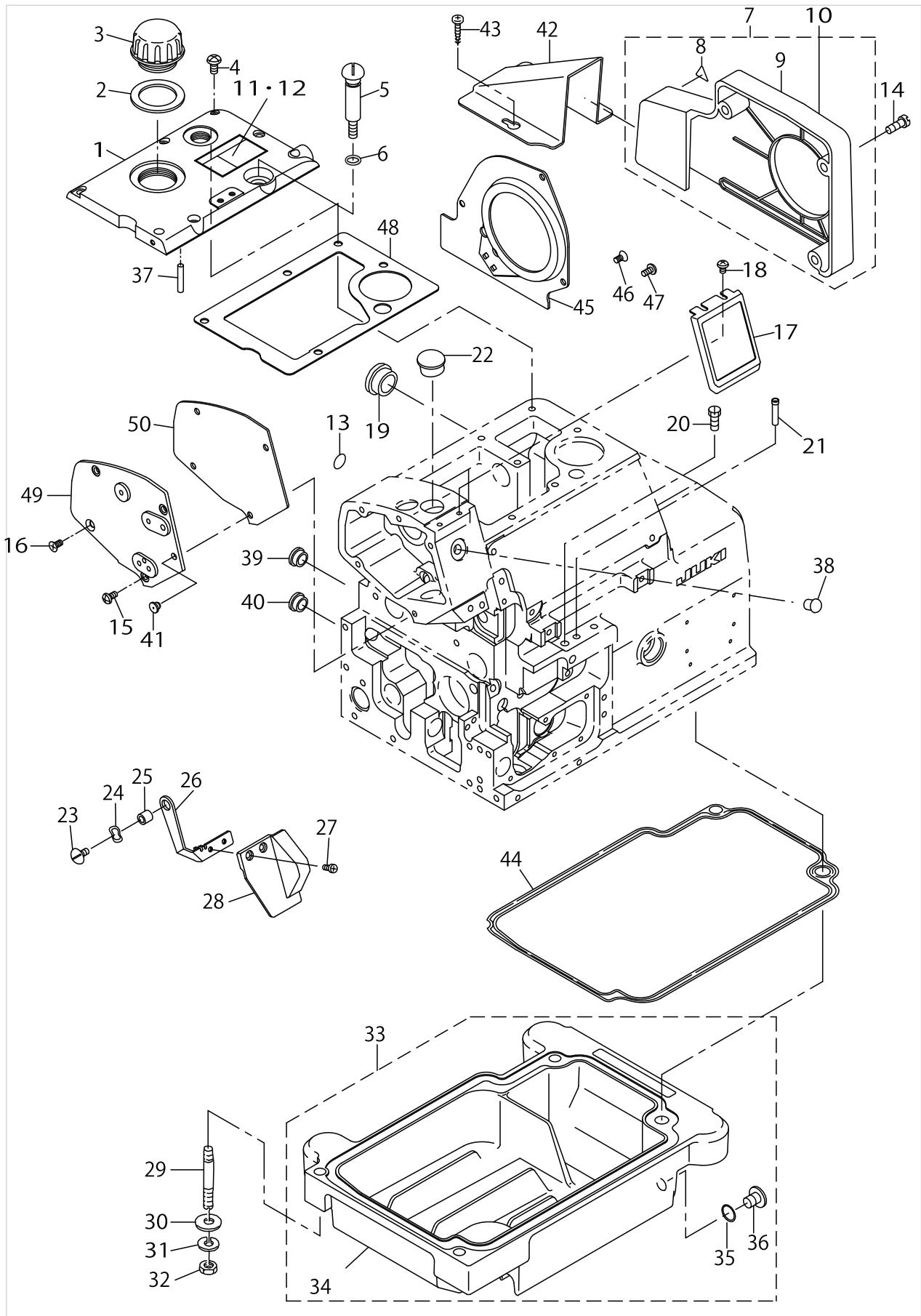
FRAME COMPONENTS(2)



FRAME COMPONENTS(2)

No.	Parts No.	Parts name	Remarks	Level	Cons	Qty
1	12100418	UPPER COVER				1
2	12100707	GASKET				1
3	12100608	OIL CAP				1
4	SM4051255SP	SCREW.,M5 L=12.				6
5	12100806	OIL DRAIN SCREW				1
6	RO078190100	RUBBER RING				1
7	12101952	BELT COVER ASM.	FOR JAPAN			1
8	CM3002000A1	CAUTION LABEL(16)	FOR JAPAN	*		1
9	12101903	BELT COVER	FOR JAPAN	*		1
10	12101903	BELT COVER	FOR EXPORT			1
11	CM300200101	SAFETY LABEL, 1(SMALL).	FOR JAPAN			1
12	CM3002001A1	SAFETY LABEL.,3 (SMALL).	FOR EXPORT(EXCEPT JE)			1
13	10004109	GROUND MARK				1
14	SS4151215SP	SCREW 15/64-28 L=12				3
15	SM4040855SP	SCREW				3
16	SM1040801SC	SCREW M4X0.7 L=8				1
17	12201059	BRAND LABEL ASM.				1
18	SM4040601SC	SCREW M4X0.7 L=6				2
19	TA2050805R0	RUBBER PLUG				1
20	SS9151210TP	SCREW 15/64-28 L=11.8				1
21	11805207	THREAD GUIDE, LARGE				2
22	TA1701107R0	RUBBER PLUG				1
23	SS5110710SP	SCREW 11/64-40 L=7				1
24	WZ0850302K0	WAVED WASHER 8.5X12.5X0.3				1
25	B3013141H0A	WASHER				1
26	12102000	SAFETY PLATE BRACKET				1
27	SS7090611SL	SCREW 9/64-40 L=6.1				2
28	12104907	SAFETY PLATE				1
29	11503703	SCREW STUD				4
30	WP0751576SD	WASHER 7.5X19X1.5				4
31	WS0822010KP	SPRING WASHER 8.2X15X2				4
32	NS6680410SP	NUT 9/32-28				4
33	12201166	OIL RESERVOIR ASM.				1
34	12201117	OIL RESERVOIR		*		1
35	RO074240100	RUBBER RING		*		1
36	SM0081001SD	SCREW		*		1
37	PS0300132KH	SPRING PIN 3X13				1
38	TA1250406R0	RUBBER PLUG D=12.5 L=4				1
39	TA0800504R0	PLUG D=8 L=4.5				1
40	TA1470702R0	RUBBER PLUG				1
41	12258000	BUSH				1
42	12105201	BELT COVER	FOR JE			1
43	SK3412000SC	WOOD SCREW D=4.1 L=20	FOR JE			2
44	12201208	OIL RESERVOIR GASKET				1
45	12101804	COOLING FAN PLATE				1
46	SM1040801SC	SCREW M4X0.7 L=8				1
47	SM4040855SP	SCREW				2

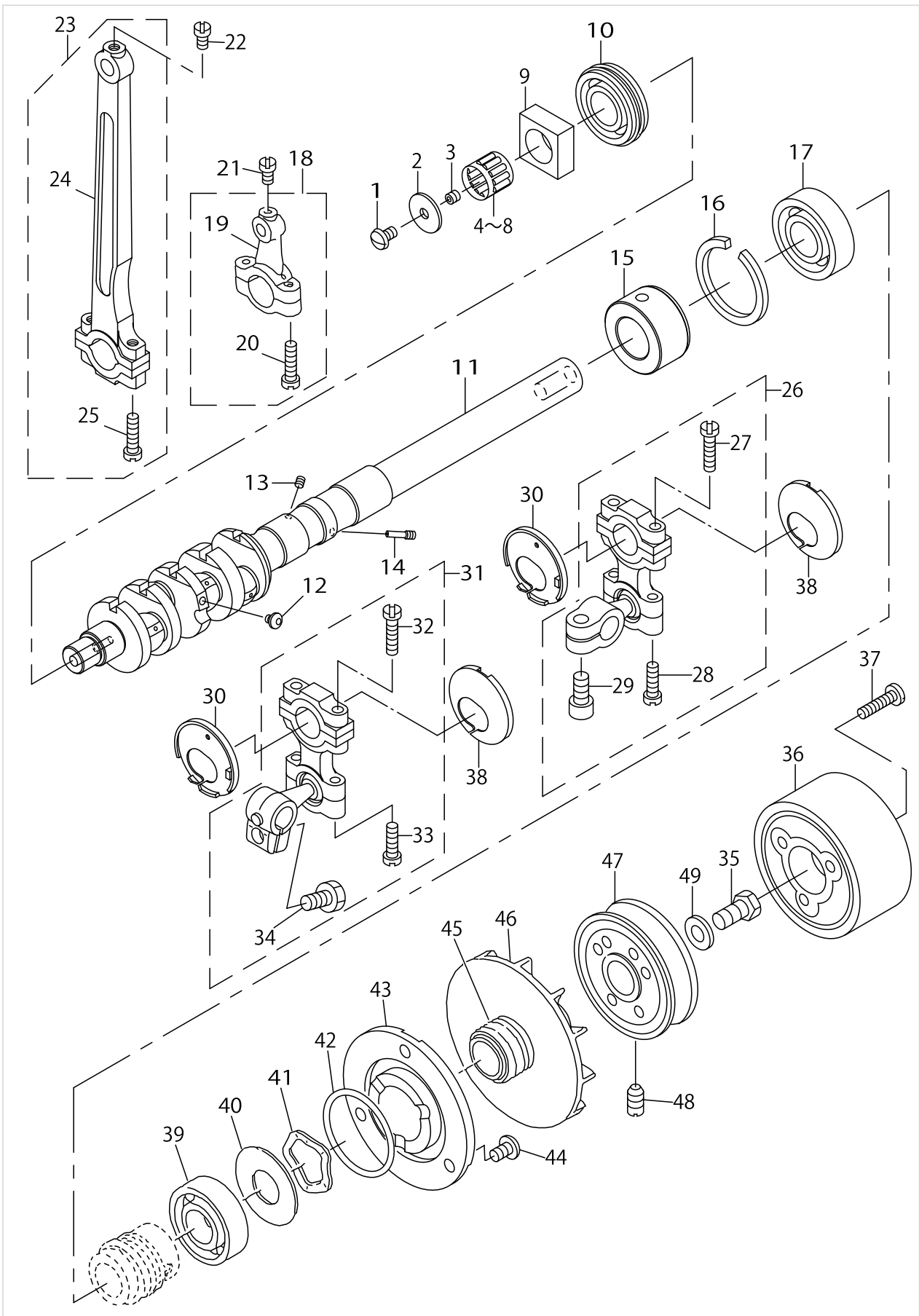
FRAME COMPONENTS(2)



FRAME COMPONENTS(2)

No.	Parts No.	Parts name	Remarks	Level	Cons	Qty
48	12100517	UPPER COVER GASKET				1
49	12250205	SIDE COVER				1
50	12100301	SIDE COVER GASKET				1

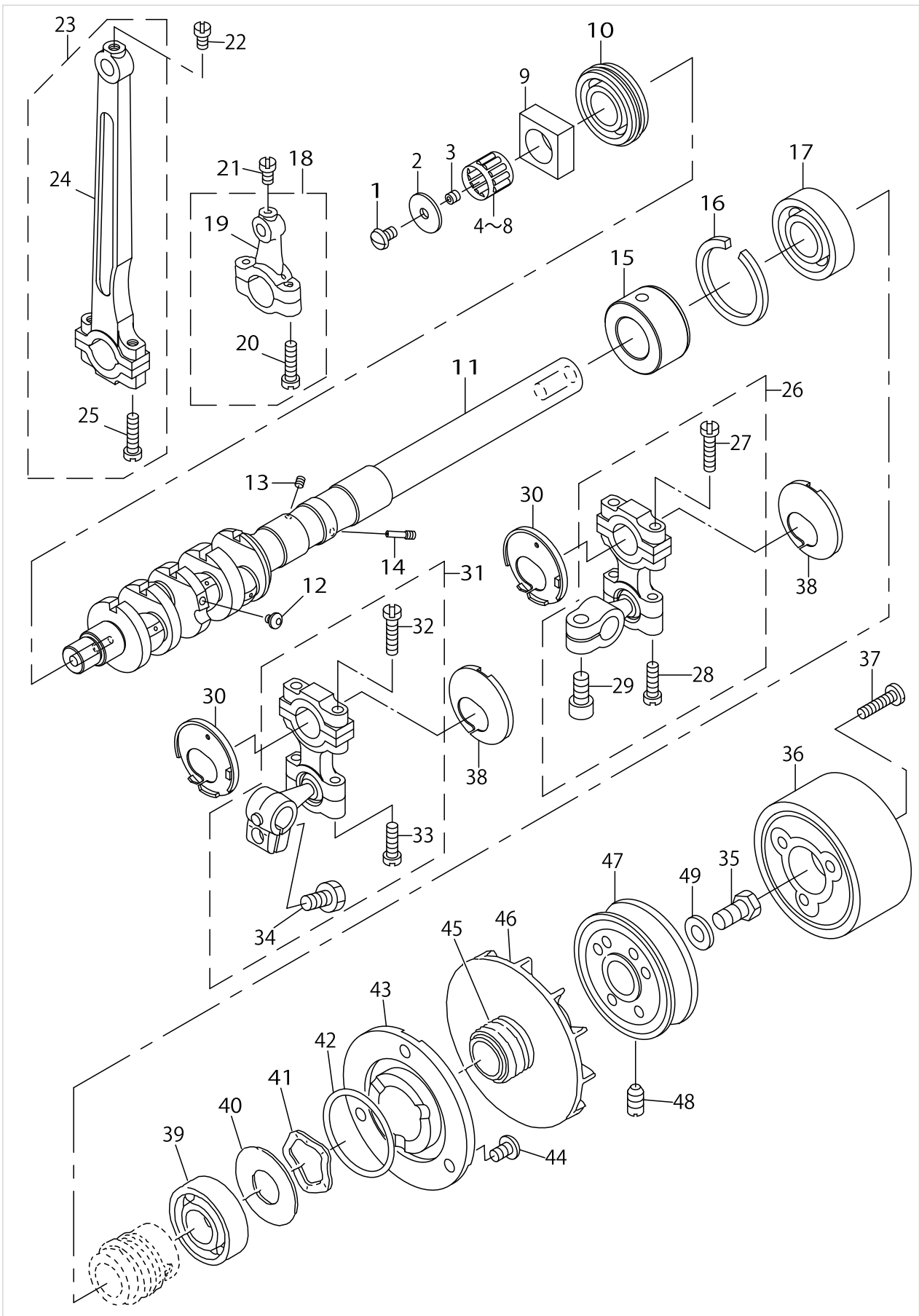
CRANKSHAFT COMPONENTS



CRANKSHAFT COMPONENTS

No.	Parts No.	Parts name	Remarks	Level	Cons	Qty
1	SS5110740TP	SCREW 11/64-40 L= 6.5				1
2	12204004	THRUST HOLDER				1
3	SS8110422TP	SCREW 11/64-40 L=4				1
4	SB31200030A	BEARING	SELECTIVE PART			1
5	SB31200030B	BEARING	SELECTIVE PART			1
6	SB31200030C	BEARING	SELECTIVE PART			1
7	SB31200030D	BEARING	SELECTIVE PART			1
8	SB31200030E	BEARING	SELECTIVE PART			1
9	12210100	SLIDE BLOCK				1
10	12204202	BALL BEARING D				1
11	12203600	CRANK SHAFT				1
12	SS5080212TP	SCREW 1/8-44 L=2				5
13	SS8080410TP	SCREW 1/8-44 L=3.5				1
14	12204103	OIL ADJUSTING SCREW				1
15	12203907	CRANK SHAFT BUSHING C				1
16	B1212704000	BEARING RETAINER				1
17	B1211804000	BALL BEARING B				1
18	12132155	KNIFE DRIVING ROD ASM.				1
19	12132106	KNIFE DRIVING ROD		*		1
20	SS7111810TP	SCREW 11/64-40 L=18		*		2
21	SS7110840SP	SCREW 11/64-40 L=7.8				1
22	SS7110840SP	SCREW 11/64-40 L=7.8				1
23	12109153	CONNECTING ROD ASM.				1
24	12109104	CONNECTING ROD		*		1
25	SS7111810TP	SCREW 11/64-40 L=18		*		2
26	12122354	UPPER LOOPER ROD ASM.				1
27	SS7111810TP	SCREW 11/64-40 L=18		*		2
28	SS7111410TP	SCREW 11/64-40 L=14		*		2
29	SM6061202TP	SCREW M6 L=12		*		1
30	12124400	STOPPER (L)				2
31	12215158	LOWER LOOPER ROD ASM., A				1
32	SS7111810TP	SCREW 11/64-40 L=18		*		2
33	SS7111410TP	SCREW 11/64-40 L=14		*		2
34	SS9151210TP	SCREW 15/64-28 L=11.8		*		1
35	SS9681610TP	SCREW 9/32-28 L=16				1
36	12203816	FLYWHEEL C				1
37	SS7111810SP	SCREW 11/64-40 L=18				3
38	12124509	STOPPER (R)				2
39	B1211804000	BALL BEARING B				1
40	11510609	WASHER				1
41	WZ2640310KH	WAVED WASHER 26.4X33.9X3.5				1
42	RO347350100	RUBBER RING				1
43	12107702	THRUST HOLDER				1
44	SM4050855SP	SCREW				3
45	12280103	OIL SHIELD				1
46	11811619	COOLING FAN				1
47	12107611	FLYWHEEL A				1

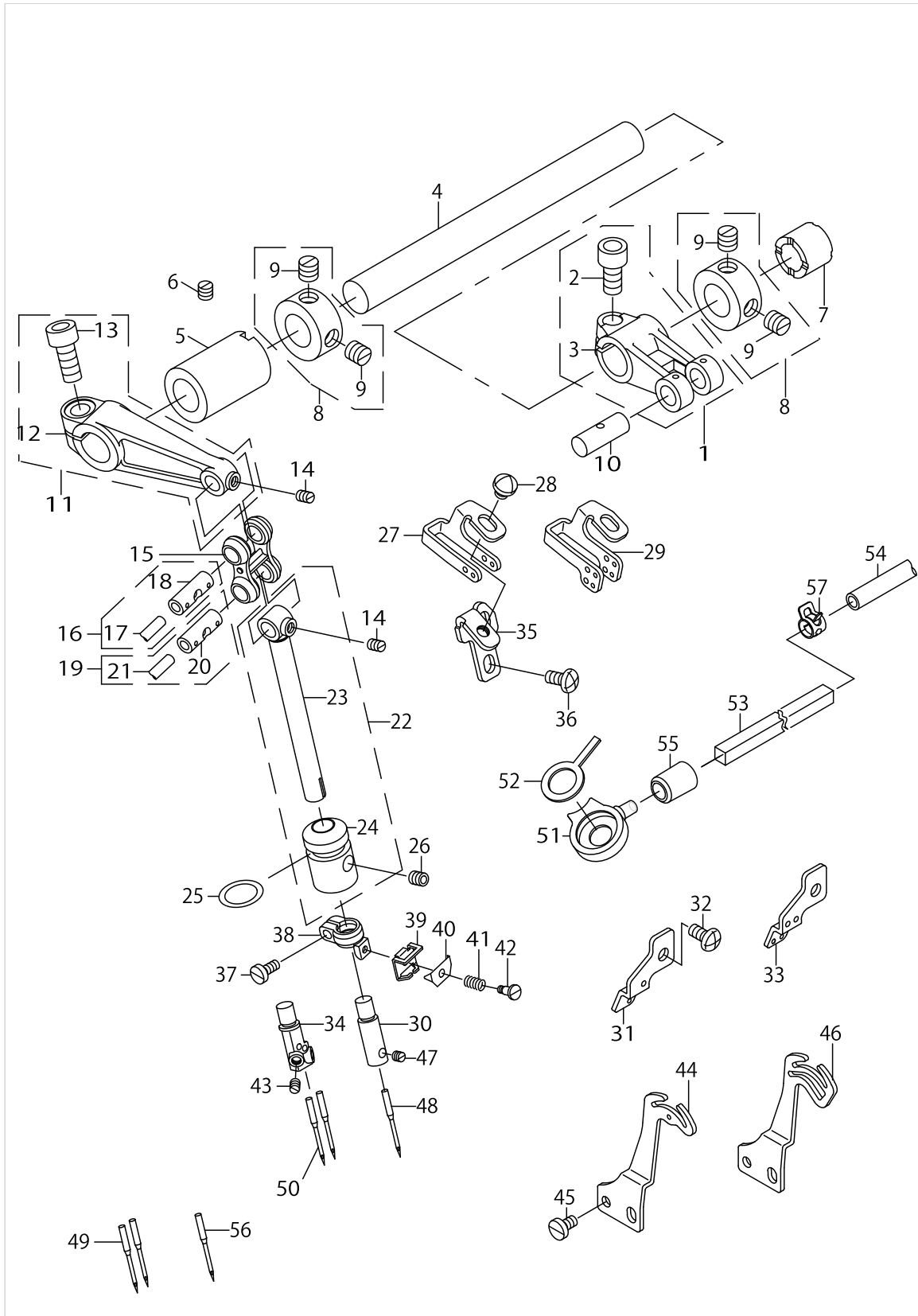
CRANKSHAFT COMPONENTS



CRANKSHAFT COMPONENTS

No.	Parts No.	Parts name	Remarks	Level	Cons	Qty
48	SS8151150SP	SCREW 15/64-28 L=10.5				2
49	WP0764016SP	WASHER				1

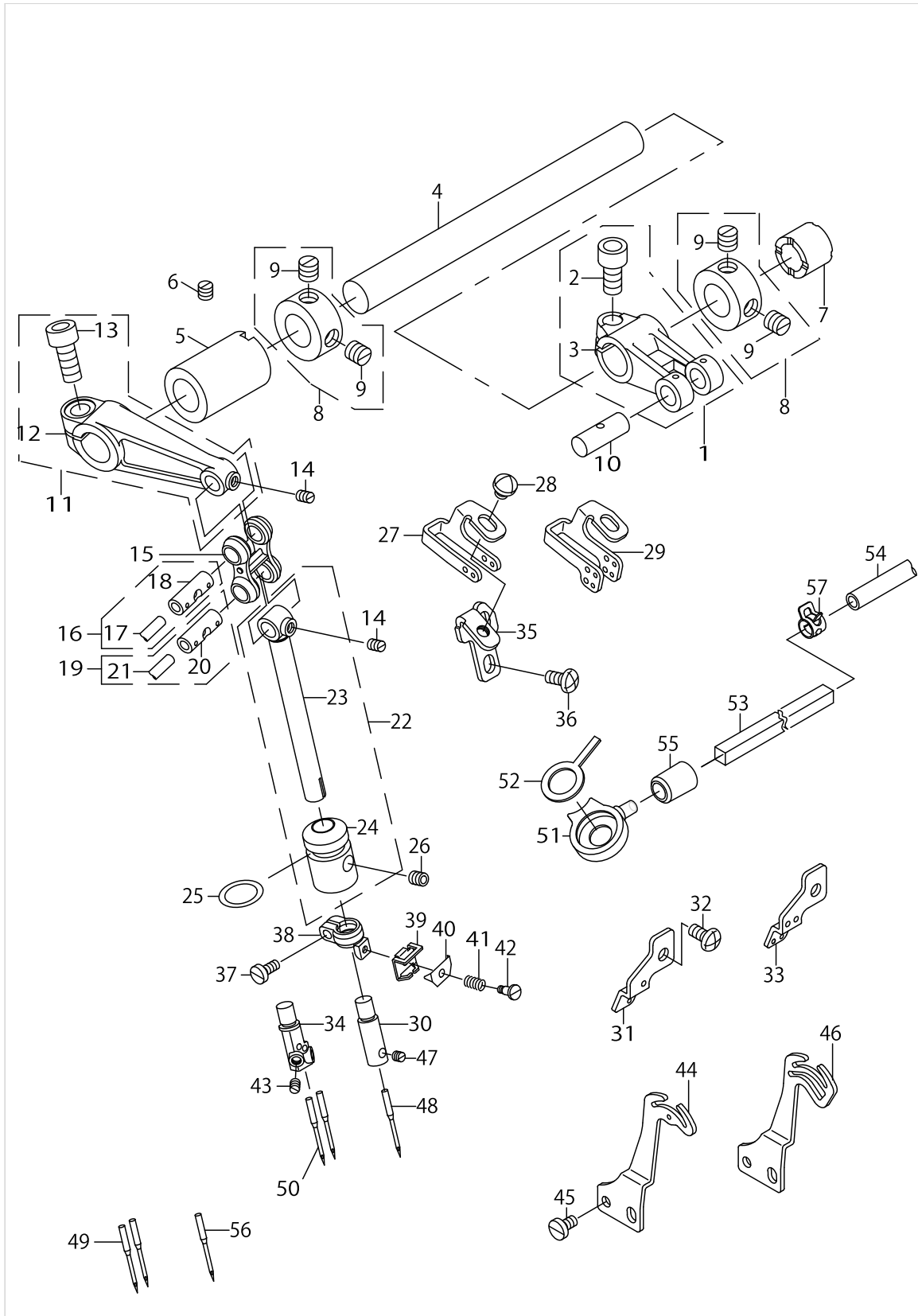
NEEDLE DRIVING SHAFT COMPONENTS



NEEDLE DRIVING SHAFT COMPONENTS

No.	Parts No.	Parts name	Remarks	Level	Cons	Qty
1	12109260	FEED FORKED CRANK ASM.				1
2	SM6061202TP	SCREW M6 L=12		*		1
3	12109211	NEEDLE DRIVING FORKED CRANK		*		1
4	12109302	NEEDLE DRIVING SHAFT				1
5	12252805	BUSHING,REAR				1
6	SS8120410SP	SCREW 3/16-28 L=3.8				1
7	12109500	BUSHING, REAR				1
8	CS1201010SH	THRUST COLLAR ASM. D=12 W=10				2
9	SS8660610TP	SCREW 1/4-40 L=6		*		4
10	11823804	CRANK PIN C	SELECTING PART FOR FIT TOLERANCE			1
11	12109666	NEEDLE DRIVING ARM ASM.				1
12	12109617	NEEDLE DRIVING ARM		*		1
13	SM6061402TP	SCREW M6 L=14		*		1
14	SS8090530TP	SCREW 9/64-40 L= 5.0				2
15	12252904	NEEDLE DRIVING LINK				1
16	12109955	LINK PIN C ASM.	SELECTING PART FOR FIT TOLERANCE			1
17	CQ252000000	OIL WICK		*		0.1
18	12109906	LINK PIN C	SELECTING PART FOR FIT TOLERANCE	*		1
19	12109955	LINK PIN C ASM.	SELECTING PART FOR FIT TOLERANCE			1
20	12109906	LINK PIN C		*		1
21	CQ252000000	OIL WICK		*		0.1
22	12372157	NEEDLE HOLDER ASM.				1
23	12110227	NEEDLE HOLDER		*		1
24	12372108	NEEDLE HOLDER METAL		*		1
25	RO108240100	RUBBER RING				1
26	SM8040612TP	SCREW M4 L=6				1
27	12111209	NEEDLE THREAD GUIDE	FOR MOC-3904			1
28	SS4110515SP	SCREW 11/64-40 L=5				1
29	12111308	THREAD GUIDE, 2-NEEDLE	FOR MOC-3914			1
30	12148607	NEEDLE CLAMP	FOR MOC-3904			1
31	12111803	TAKE-UP LEVER GUIDE	FOR MOC-3904			1
32	SM4040855SP	SCREW				1
33	12111902	TAKE-UP LEVER GUIDE, 2-NEEDLE	FOR MOC-3914			1
34	12148706	NEEDLE CLAMP, 2-NEEDLE	FOR MOC-3914			1
35	12112108	NEEDLE THREAD GUIDE STAND				1
36	SM4040855SP	SCREW				2
37	SS6080720SP	SCREW				1
38	12280608	NEEDLE CLAMP HOLDER				1
39	12110607	NEEDLE THREAD PRESSER GUIDE, A				1
40	12110904	NEEDLE THREAD PRESSER PLATE				1
41	12110805	NEEDLE THREAD PRESSER SPRING				1
42	SD0280401SL	HINGE SCREW D=2.8 H=4				1
43	SS8080310TP	SCREW 1/8-44 L=2.8	FOR MOC-3914			2
44	12111506	NEEDLE THREAD TAKE-UP LEVER	FOR MOC-3904			1
45	SS6090670TP	SCREW 9/64-40 L=6				2

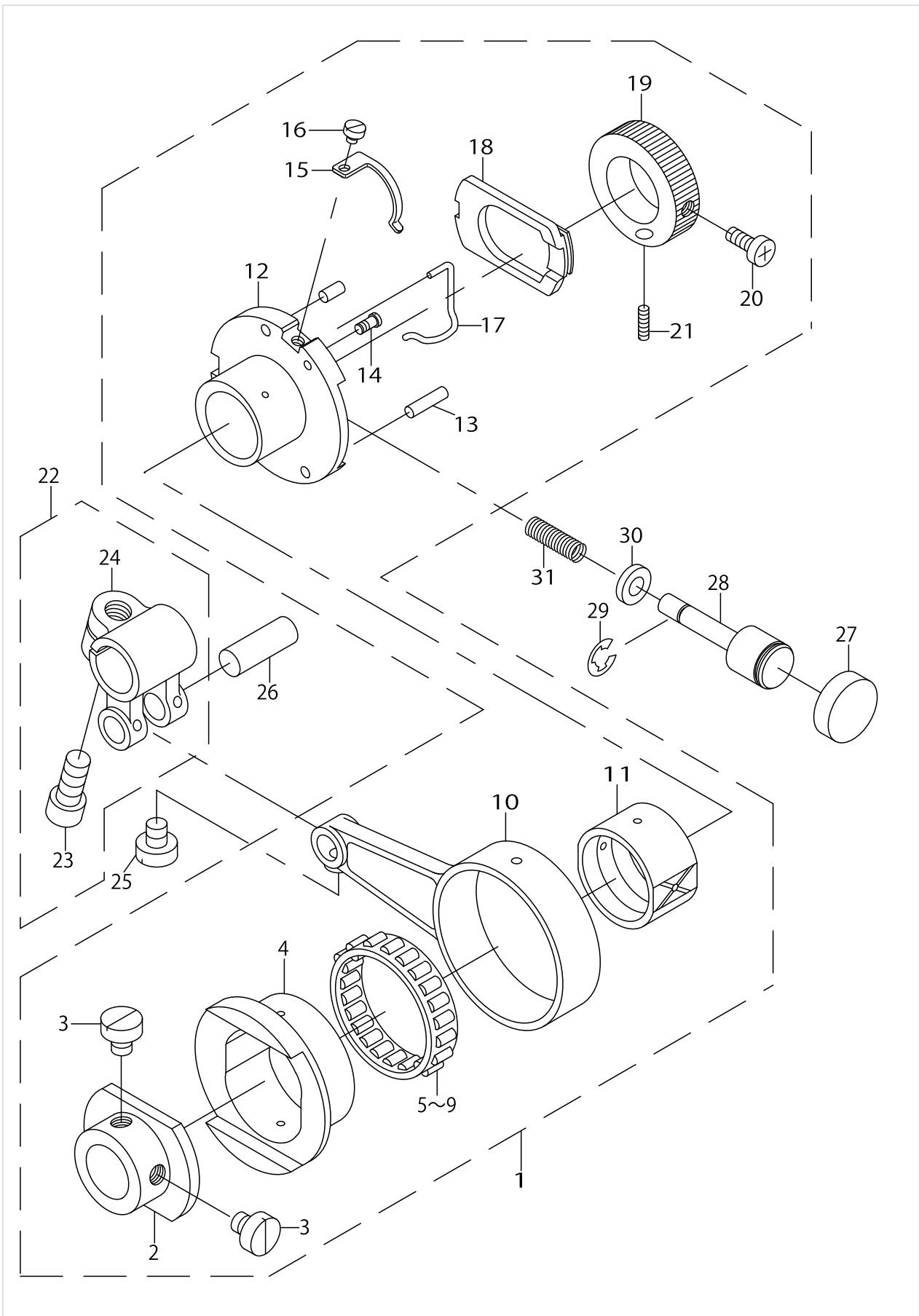
NEEDLE DRIVING SHAFT COMPONENTS



NEEDLE DRIVING SHAFT COMPONENTS

No.	Parts No.	Parts name	Remarks	Level	Cons	Qty
46	12111605	TAKE-UP LEVER, 2-NEEDLE	FOR MOC-3914			1
47	SS8080310TP	SCREW 1/8-44 L=2.8	FOR MOC-3904			1
48	MDC270B1100	NEEDLE DCX27 #11	FOR MOC-3904			1
49	MC033600750	NEEDLE B-27 NM75	FORJE(MOC-3914)			2
50	MDC270B1100	NEEDLE DCX27 #11	FOR MOC-3914			2
51	12112207	COVER				1
52	12112306	FELT A				1
53	12253308	FELT B				1
54	BT0600402EA	OIL TUBE				0.1
55	TA0951301R0	RUBBER PLUG				1
56	MC033600750	NEEDLE B-27 NM75	FORJE(MOC-3904)			1
57	12256004	OIL TUBE HOLDER				1

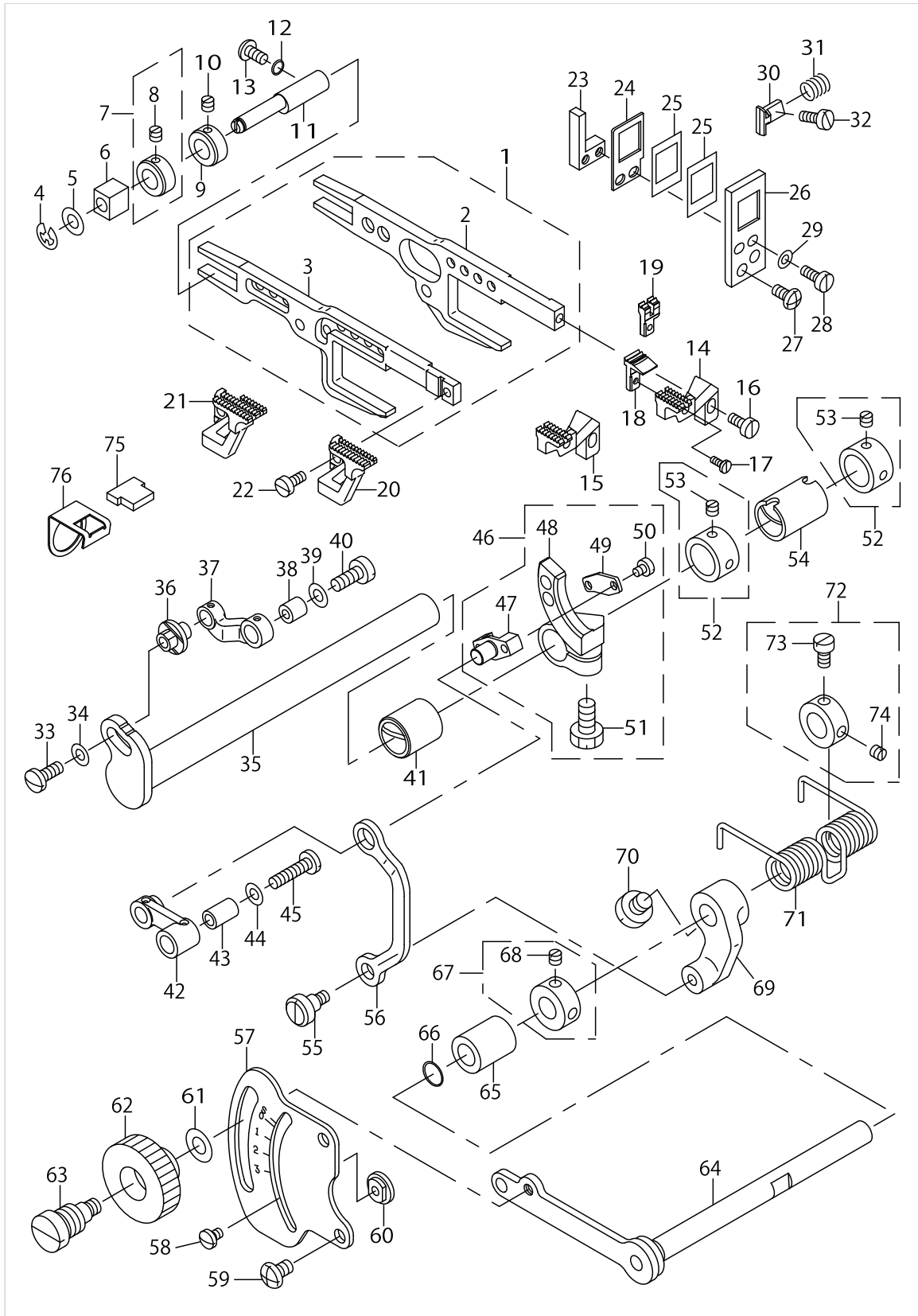
FEED MECHANISM COMPONENTS(1)



FEED MECHANISM COMPONENTS(1)

No.	Parts No.	Parts name	Remarks	Level	Cons	Qty
1	12208161	FEED ECCENTRICE BODY ASM.				1
2	12208104	FEED ECCENTRIC BODY		*		1
3	SS6660710TP	SCREW 1/4-40 L=7		*		2
4	12208203	FEED CAM		*		1
5	SB33500020A	BEARING	SELECTIVE PART	*		1
6	SB33500020B	BEARING	SELECTIVE PART	*		1
7	SB33500020C	BEARING	SELECTIVE PART	*		1
8	SB33500020D	BEARING	SELECTIVE PART	*		1
9	SB33500020E	BEARING	SELECTIVE PART	*		1
10	12208906	CRANK ROD		*		1
11	12208302	SLIDE BLOCK		*		1
12	12208401	FEED ADJUSTING CAM		*		1
13	PS0300132KH	SPRING PIN 3X13		*		2
14	SD0260271SP	HINGE SCREW D= 2.60 H= 2.7		*		1
15	12208807	RATCHET GEAR SPRING		*		1
16	SS6080340SP	SCREW 1/8-44 L=2.9		*		1
17	12208609	RATCHET PAWL SPRING		*		1
18	12208500	RATCHET PAWL		*		1
19	12208708	RATCHET GEAR		*		1
20	SS6111110SP	SCREW 11/64-40 L=11.0		*		1
21	SS8110520TP	SCREW 11/64-40 L= 4.5		*		1
22	12209052	FORKEND CRANK ASM.				1
23	SM6061202TP	SCREW M6 L=12		*		1
24	12209003	FORKEND CRANK		*		1
25	SS7110910TP	SCREW 11/64-40 L= 8.5				1
26	11823804	CRANK PIN C	SELECTIVE PART			1
27	12211801	PUSH BOTTON CAP				1
28	12211702	PUSH BOTTON STUD				1
29	RE0320000K0	E-RING 3.2				1
30	12118600	OIL SHEET				1
31	B1652704000	SPRING				1

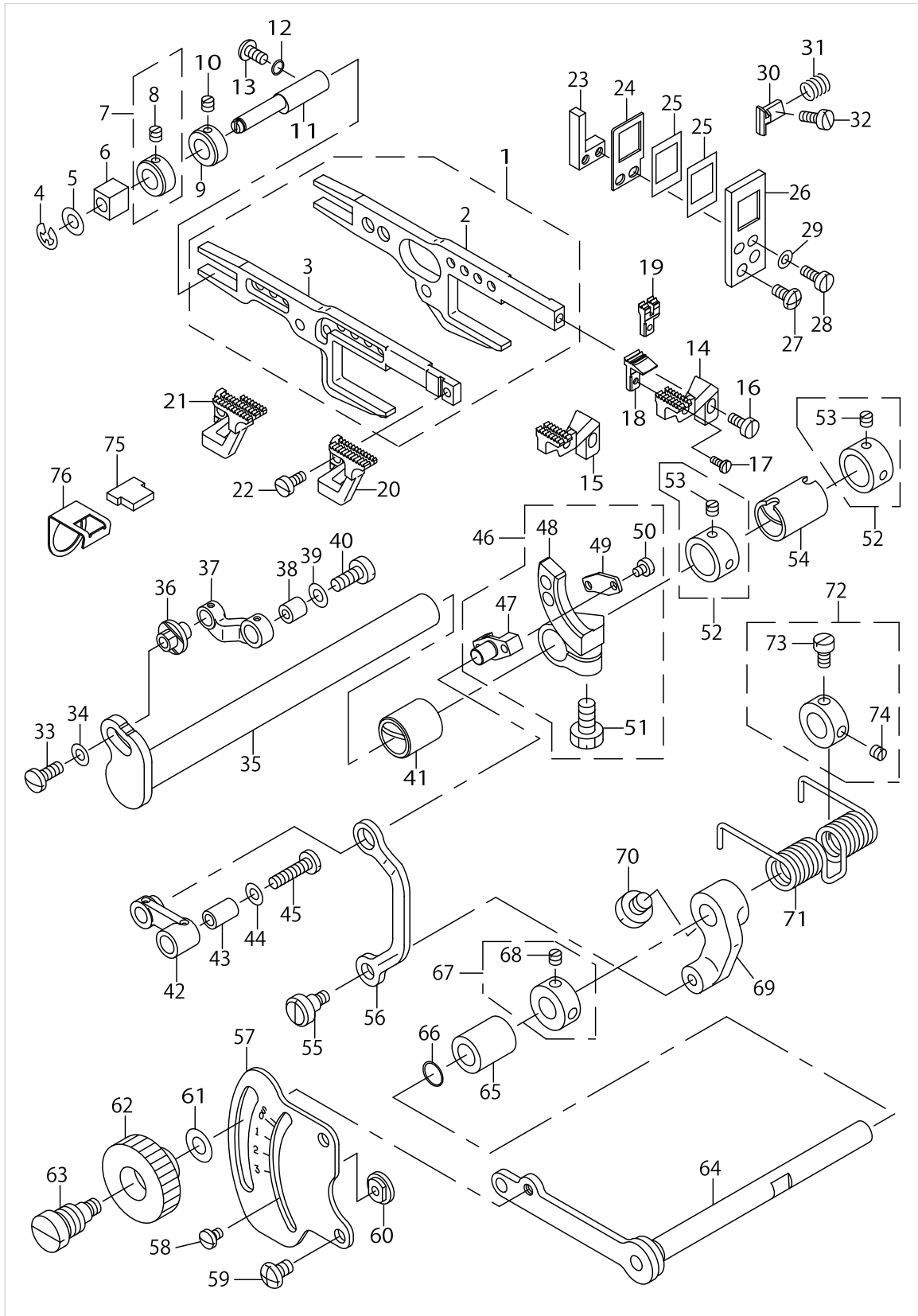
FEED MECHANISM COMPONENTS(2)



FEED MECHANISM COMPONENTS(2)

No.	Parts No.	Parts name	Remarks	Level	Cons	Qty
1	12209953	MAIN FEED BAR ASM.				1
2	12209904	MAIN FEED BAR		*		1
3	12210001	DIFFERENTIAL FEED BAR		*		1
4	RE0400000K0	E-RING 4				1
5	11529914	WASHER				1
6	12210308	SLIDE BLOCK				1
7	11828050	COLLAR ASM.				1
8	SS8110410TP	SCREW 11/64-40 L= 3.5		*		1
9	CS0790731SH	THRUST COLLAR				1
10	SS8110410TP	SCREW 11/64-40 L= 3.5				1
11	12210209	FEED BAR SHAFT				1
12	RO037180100	RUBBER RING				1
13	SM4040855SP	SCREW				1
14	12235107	MAIN FEED DOG	FOR MOC-3904			1
15	12235206	MAIN FEED DOG	FOR MOC-3914			1
16	SS6090810TP	SCREW 9/64-40 L=7.5				1
17	SS7060610SP	SCREW 3/32-56 L= 5.5				1
18	12238101	AUXILIARY FEED DOG				1
19	12238200	AUXILIARY FEED DOG	P05/Q01 EXCHANGING PARTS			1
20	12236600	DIFFERENTIAL FEED DOG	FOR MOC-3904			1
21	12236709	DIFFERENTIAL FEED DOG	FOR MOC-3914			1
22	SS6090810TP	SCREW 9/64-40 L=7.5				1
23	12210605	FEED BAR SUPPORT, LEFT				1
24	12210506	RUBBER SUPPORT				1
25	12118303	RUBBER				2
26	12210407	RUBBER CASE				1
27	SM4040855SP	SCREW				2
28	SS6090910TP	SCREW 9/64-40 L=9				2
29	WP0371026SD	WASHER 3.7X7X1				2
30	12210704	FEED BAR SUPPORT, RIGHT				1
31	12210803	SPRING				1
32	SS6110820TP	SCREW 11/64-40 L=8				1
33	SS6111010TP	SCREW 11/64-40 L= 9.5				1
34	B322877100B	BOBBIN WINDER SPACER				1
35	12209102	ROCKER SHAFT				1
36	12209201	MAIN FEED PIN				1
37	12209300	MAIN FEED LINK				1
38	B1620804000	COLLAR				1
39	B1707155000	FEED DRIVING SLIDE BLOCK WASHE				1
40	SS6121220TP	SCREW 3/16-28 L=11.5				1
41	12210902	BUSHING, FRONT				1
42	12209805	LINK				1
43	12209706	COLLAR				1
44	WP0451026SH	WASHER				1
45	SS7111810TP	SCREW 11/64-40 L=18				1
46	12209458	SUB-FEED ARM ASM.				1
47	12209508	PIN		*		1

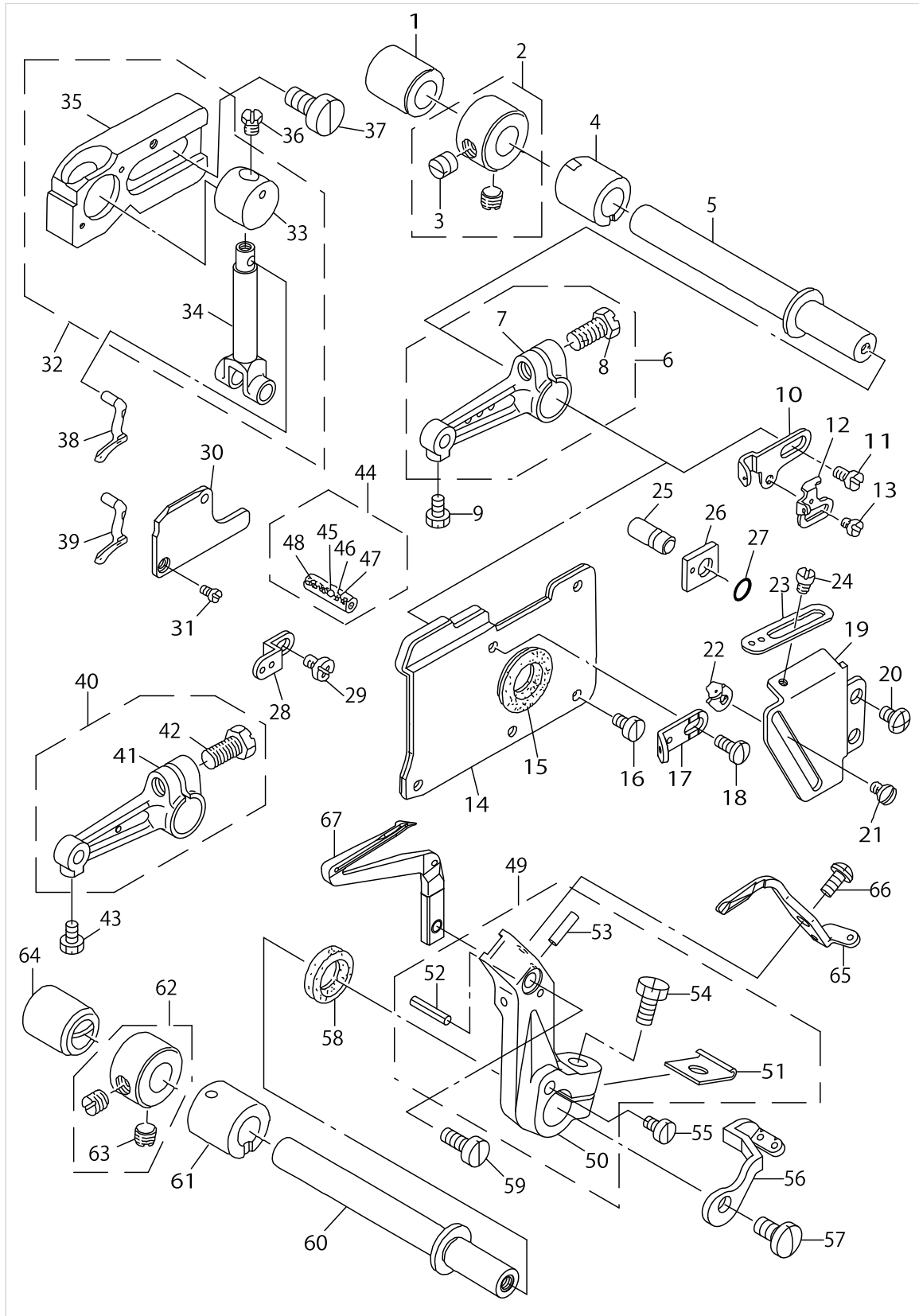
FEED MECHANISM COMPONENTS(2)



FEED MECHANISM COMPONENTS(2)

No.	Parts No.	Parts name	Remarks	Level	Cons	Qty
48	12209409	FEED ROCKER		*		1
49	12209607	PIN COVER		*		1
50	SS6080410SP	SCREW 1/8-44 L=4		*		2
51	SS9151210TP	SCREW 15/64-28 L=11.8		*		1
52	CS120101BSH	THRUST COLLAR ASM.				2
53	SS8660410SP	SCREW 1/4-40 L= 4.2		*		4
54	12211009	BUSHING, REAR				1
55	SD0640321TP	HINGE SCREW D=6.35 H=3.2				1
56	12211405	LINK				1
57	12211603	DIFFERENTIAL FEED GRADUATION				1
58	SS7090540TP	SCREW 9/64-40 L=5				2
59	SM4050855SP	SCREW				2
60	11529005	STOPPER				2
61	WP0621016SD	WASHER 6.2X13X1				1
62	B1647704000A	DIFFERENTIAL FEED LOCK NUT				1
63	B1646704000A	DIFFERENTIAL FEED HINGE SCREW				1
64	12211157	ROCKER SHAFT ASM.				1
65	12118709	ROCKER SHAFT METAL				1
66	RO060150100	RUBBER RING				1
67	CS087081BSH	THRUST COLLAR ASM.				1
68	SS8110410TP	SCREW 11/64-40 L= 3.5		*		2
69	12211306	DIFFERENTIAL FEED ROCKER				1
70	SS6660610TP	SCREW 1/4-40 L=6				1
71	12211504	SPRING				1
72	CS087081CSH	THRUST COLLAR ASM.				1
73	B1536804000	PIN		*		1
74	SS8110410TP	SCREW 11/64-40 L= 3.5		*		1
75	12212106	ONCE THROUGH OIL FELT				1
76	12212007	FELT PRESSER				1

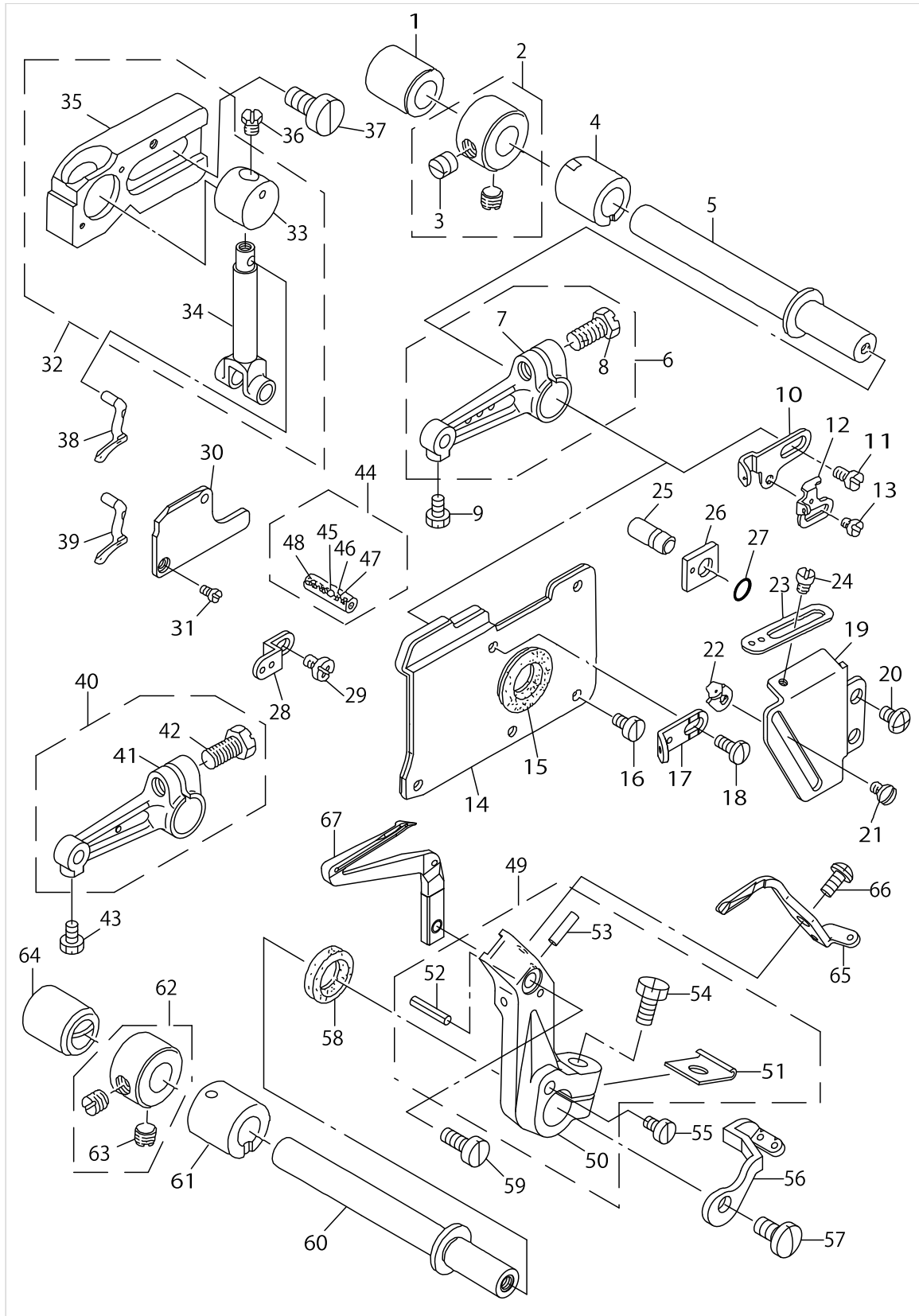
UPPER & LOWER LOOPER COMPONENTS



UPPER & LOWER LOOPER COMPONENTS

No.	Parts No.	Parts name	Remarks	Level	Cons	Qty
1	12122610	BUSHING REAR				1
2	CS1031210SH	THRUST COLLAR ASM. D=10.32 W=1				1
3	SS8660610TP	SCREW 1/4-40 L=6		*		2
4	12122511	LOOPER SHAFT FRONT BUSHING				1
5	12122404	UPPER LOOPER SHAFT				1
6	12214656	UPPER LOOPER ARM D ASM.	FOR MOC-3914			1
7	12214607	UPPER LOOPER ARM D		*		1
8	SS9151210TP	SCREW 15/64-28 L=11.8		*		1
9	SS9090610TP	SCREW 9/64-40 L=5.5				1
10	12124004	THREAD TAKE-UP, RIGHT				1
11	SS7110840SP	SCREW 11/64-40 L=7.8				1
12	11833506	LOWER LOOPER THREAD TAKE-UP				1
13	SS6080410SP	SCREW 1/8-44 L=4				1
14	12215554	OIL SHIELD PLATE ASM.				1
15	B2530704000	UPPER LOOPER SHAFT RUBBER RING				1
16	SS6090630SP	SCREW 9/64-40 L=6				1
17	11833100	LOOPER THREAD GUIDE				1
18	SS7090850SP	SCREW 9/64-40 L=8				1
19	12123808	LOOPER THREAD TAKE-UP COVER				1
20	SM4040655SP	SCREW M4 L=6				2
21	SS3090610SP	SCREW 9/64-40 L=6				1
22	11833407	LOWER LOOPER THREAD GUIDE				1
23	12123907	THREAD GUIDE, RIGHT				1
24	SS3090610SP	SCREW 9/64-40 L=6				1
25	11831906	PIN				1
26	11831807	GAUGE				1
27	RO037180100	RUBBER RING				1
28	12215703	LOOPER THREAD GUIDE, UPPER				1
29	SS4090615SP	SCREW 9/64-40 L=6				1
30	12214805	UPPER LOOPER GUIDE COVER				1
31	SS7060610SP	SCREW 3/32-56 L= 5.5				2
32	12214755	UPPER LOOPER GUIDE ASM.				1
33	12123204	UPPER LOOPER GUIDE		*		1
34	12122909	UPPER LOOPER HOLDER		*		1
35	12214706	UPPER LOOPER GUIDE SUPPORT		*		1
36	SS9090410TP	SCREW				1
37	SM6061200SP	SCREW				2
38	12247300	UPPER LOOPER	FOR MOC-3904,MOC-3914 (NEEDLE #9,#11,#14)			1
39	12247102	UPPER LOOPER	FOR MOC-3904,MOC-3914 (NEEDLE #14,#16,#18)			1
40	12122859	UPPER LOOPER ARM B ASM.	FOR MOC-3904			1
41	12122800	UPPER LOOPER ARM B		*		1
42	SS9151210TP	SCREW 15/64-28 L=11.8		*		1
43	SS9090610TP	SCREW 9/64-40 L=5.5				1
44	11831757	PIN ASM.	SELECTING PART FOR FIT TOLERANCE			1
45	11831708	OIL WICK STOPPER BALL		*		1
46	CQ202000000	OIL WICK		*		0.1

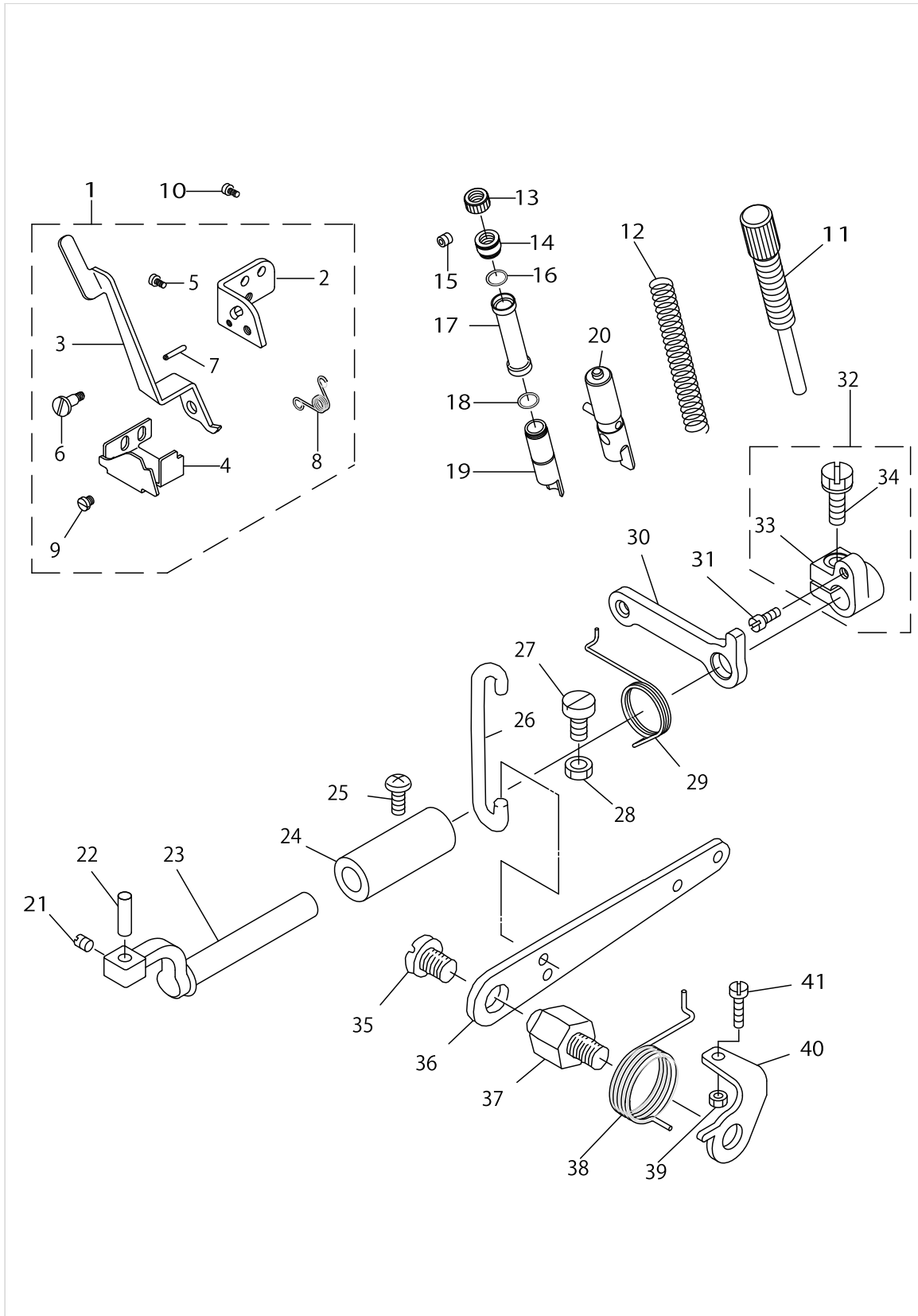
UPPER & LOWER LOOPER COMPONENTS



UPPER & LOWER LOOPER COMPONENTS

No.	Parts No.	Parts name	Remarks	Level	Cons	Qty
47	CQ200000000	OIL WICK		*		0.1
48	11517000	PIN C	SELECTING PART FOR FIT TOLERANCE	*		1
49	12215356	LOWER LOOPER ARM ASM.				1
50	12215307	LOWER LOOPER ARM		*		1
51	B2531704000	WASHER		*		1
52	PS0200062KH	SPRING PIN 2X6		*		1
53	13508700	HOOK COVER PRESSER SPRING PIN		*		1
54	SS9151210TP	SCREW 15/64-28 L=11.8		*		1
55	SS6090630TP	SCREW 9/64-40 L=6				1
56	12215604	LOOPER THREAD TAKE-UP,LEFT				1
57	SS6111140SP	SCREW 11/64-40 L=11				1
58	12215406	OIL SEAL				1
59	SS6090910TP	SCREW 9/64-40 L=9				1
60	12215208	LOWER LOOPER SHAFT				1
61	12214904	LOWER LOOPER BUSHING,FRONT				1
62	CS1031210SH	THRUST COLLAR ASM. D=10.32 W=1				1
63	SS8660610TP	SCREW 1/4-40 L=6		*		2
64	12215000	LOWER LOOPER BUSHING,REAR				1
65	12240602	NEEDLE GUARD				1
66	SS4080610SP	SCREW 1/8-44 L=6.4				1
67	12240107	LOWER LOOPER				1

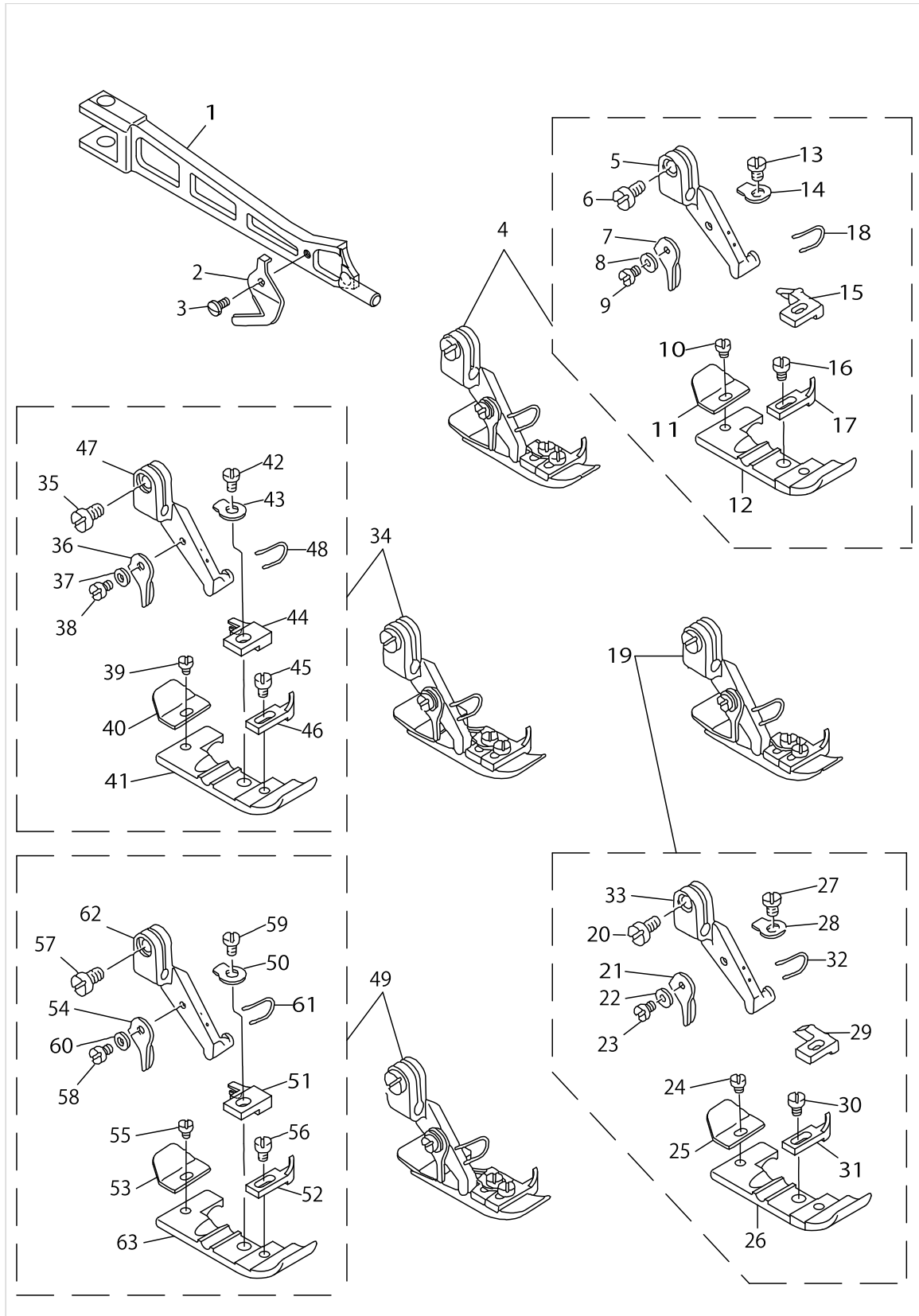
PRESSER FOOT COMPONENTS(1)



PRESSER FOOT COMPONENTS(1)

No.	Parts No.	Parts name	Remarks	Level	Cons	Qty
1	12115051	FOOT LIFTING LEVER STAND ASM.				1
2	12115002	FOOT LIFTING LEVER STAND		*		1
3	12115101	PRESSER FOOT LIFTING LEVER		*		1
4	12115200	STOPPER		*		1
5	SS7110510SP	SCREW 11/64-40 L=5		*		2
6	SD0640241SP	HINGE SCREW D= 6.35 H= 2.4		*		1
7	PS0300142KH	SPRING PIN 0.3 X 14		*		1
8	12115309	SPRING		*		1
9	SS6080340SP	SCREW 1/8-44 L=2.9		*		1
10	SS4110715SP	SCREW 11/64-40 L=7				2
11	12114716	PRESSER REGULATOR SCREW				1
12	12115903	PRESSER SPRING				1
13	12114807	PRESSER REGULATOR NUT				1
14	12114609	PRESSER REGULATOR SCREW WASHER				1
15	SM8040402TP	SCREW M4X0.7 L=4				1
16	RO110090100	RUBBER RING				1
17	12114906	PRESSER BAR COVER				1
18	RO110090100	RUBBER RING				2
19	12114302	PRESSER BAR BUSHING				1
20	12114468	PRESSER BAR ASM.				1
21	SS8110520TP	SCREW 11/64-40 L= 4.5				1
22	B1534804000	PRESSER FOOT ARM HINGE SHAFT				1
23	12113205	PRESSER FOOT SHAFT				1
24	12113304	BUSHING				1
25	SS4121215SP	SCREW 3/16-28 L=12				1
26	11819414	LIFTING HOOK				1
27	SM6061200SP	SCREW				1
28	NM6060003SC	NUT M6				1
29	11819703	PRESSER FOOT ARM SPRING				1
30	12113502	LIFTING ARM				1
31	SS6110710TP	SCREW 11/64-40 L= 6.5				1
32	12113452	PRESSER FOOT SHAFT THRUST ASM.				1
33	12113403	LIFTING ARM		*		1
34	SS9151210TP	SCREW 15/64-28 L=11.8		*		1
35	SS7161040SP	SCREW 1/4-24 L= 9.5				1
36	11819315	LIFTING LEVER				1
37	11819109	LIFTING LEVER SCREW				1
38	12206702	LIFTING LEVER SPRING				1
39	NS6110420SP	NUT 11/64-40				1
40	12206603	LEVER STOPPER				1
41	SS7111410SP	SCREW 11/64-40 L=14				1

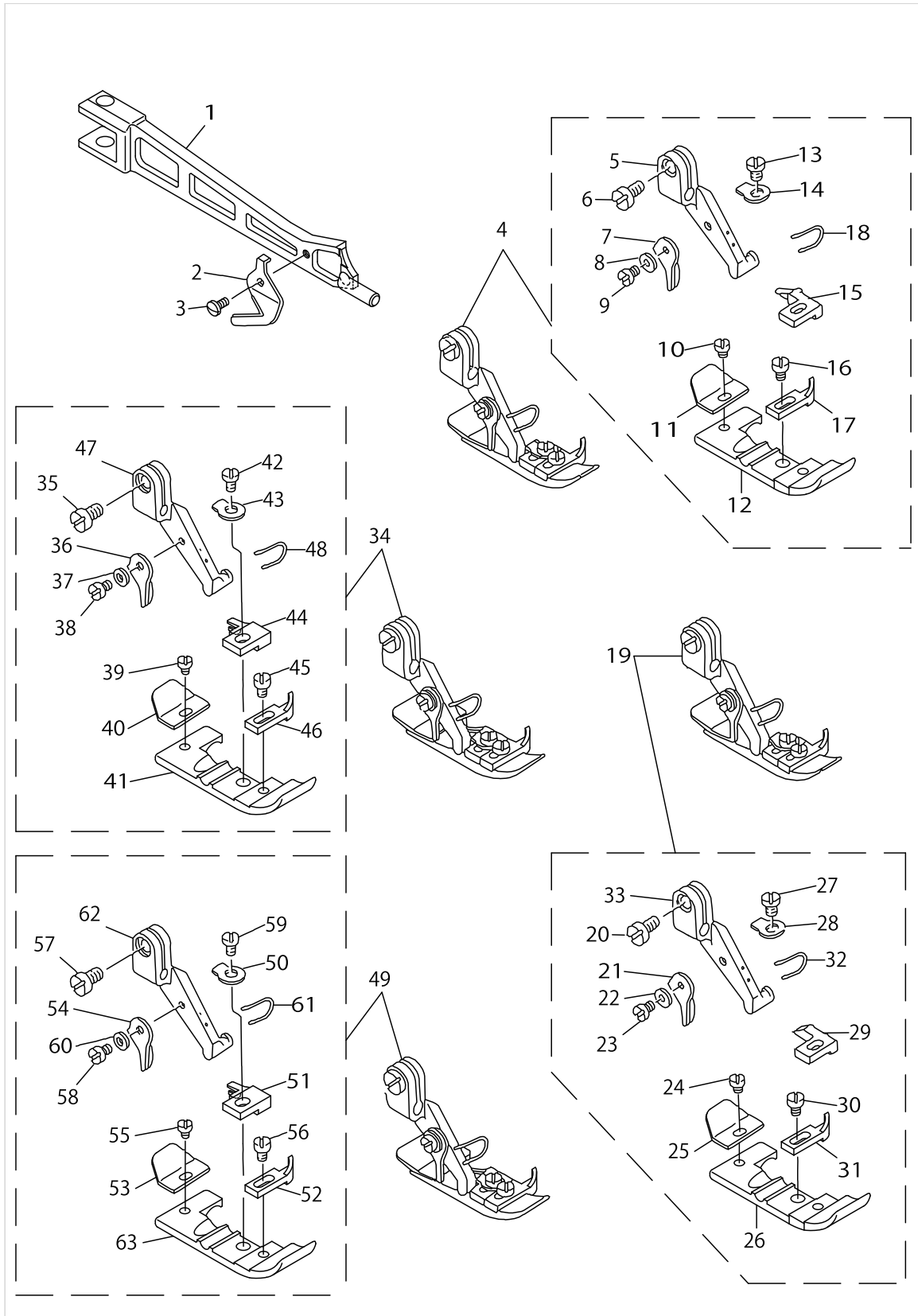
PRESSER FOOT COMPONENTS(2)



PRESSER FOOT COMPONENTS(2)

No.	Parts No.	Parts name	Remarks	Level	Cons	Qty
1	12253811	PRESSER FOOT ARM				1
2	B1528804000A	THREAD TRIMMER				1
3	SS6060440TP	SCREW 3/32-56 L=3.5				1
4	12230769	PRESSER FOOT ASM.	FOR MOC-3904(FOR JAPAN)			1
5	11872009	PRESSER FOOT HINGE		*		1
6	SS6090650SP	SCREW 9/64-40 L=6		*		1
7	B1530804000	STOPPER		*		1
8	WP0250516SD	WASHER 2.5X6X0.5		*		1
9	SS7060610SP	SCREW 3/32-56 L= 5.5		*		1
10	SS6060210SP	SCREW 3/32-56 L= 1.9		*		1
11	B1511814000	REAR PRESSER FOOT		*		1
12	12232104	PRESSER FOOT		*		1
13	SS7080520SP	SCREW 1/8-44 L=4.9		*		1
14	B150880400B	SPRING		*		1
15	11874609	STITCH TONGUE		*		1
16	SS6060440TP	SCREW 3/32-56 L=3.5		*		1
17	B1510814000	CURL GUARD		*		1
18	11820701	FINGER GUARD		*		1
19	12230165	PRESSER ASM.	FOR MOC-3904(FOR EXPORT)			1
20	SS6090650SP	SCREW 9/64-40 L=6		*		1
21	B1530804000	STOPPER		*		1
22	WP0250516SD	WASHER 2.5X6X0.5		*		1
23	SS7060610SP	SCREW 3/32-56 L= 5.5		*		1
24	SS6060210SP	SCREW 3/32-56 L= 1.9		*		1
25	B1511814000	REAR PRESSER FOOT		*		1
26	12232104	PRESSER FOOT		*		1
27	SS7080520SP	SCREW 1/8-44 L=4.9		*		1
28	B150880400B	SPRING		*		1
29	B1509804C00	STITCH TONGUE		*		1
30	SS6060440TP	SCREW 3/32-56 L=3.5		*		1
31	B1510814000	CURL GUARD		*		1
32	11820701	FINGER GUARD		*		1
33	11872009	PRESSER FOOT HINGE		*		1
34	12230355	PRESSER FOOT ASM.	FOR MOC-3914(FOR JAPAN)			1
35	SS6090650SP	SCREW 9/64-40 L=6		*		1
36	B1530804000	STOPPER		*		1
37	WP0250516SD	WASHER 2.5X6X0.5		*		1
38	SS7060610SP	SCREW 3/32-56 L= 5.5		*		1
39	SS6060210SP	SCREW 3/32-56 L= 1.9		*		1
40	B1511814000	REAR PRESSER FOOT		*		1
41	12232104	PRESSER FOOT		*		1
42	SS7080520SP	SCREW 1/8-44 L=4.9		*		1
43	B150880400B	SPRING		*		1
44	12160008	STITCH TONGUE		*		1
45	SS6060440TP	SCREW 3/32-56 L=3.5		*		1
46	B1510814000	CURL GUARD		*		1
47	11872009	PRESSER FOOT HINGE		*		1

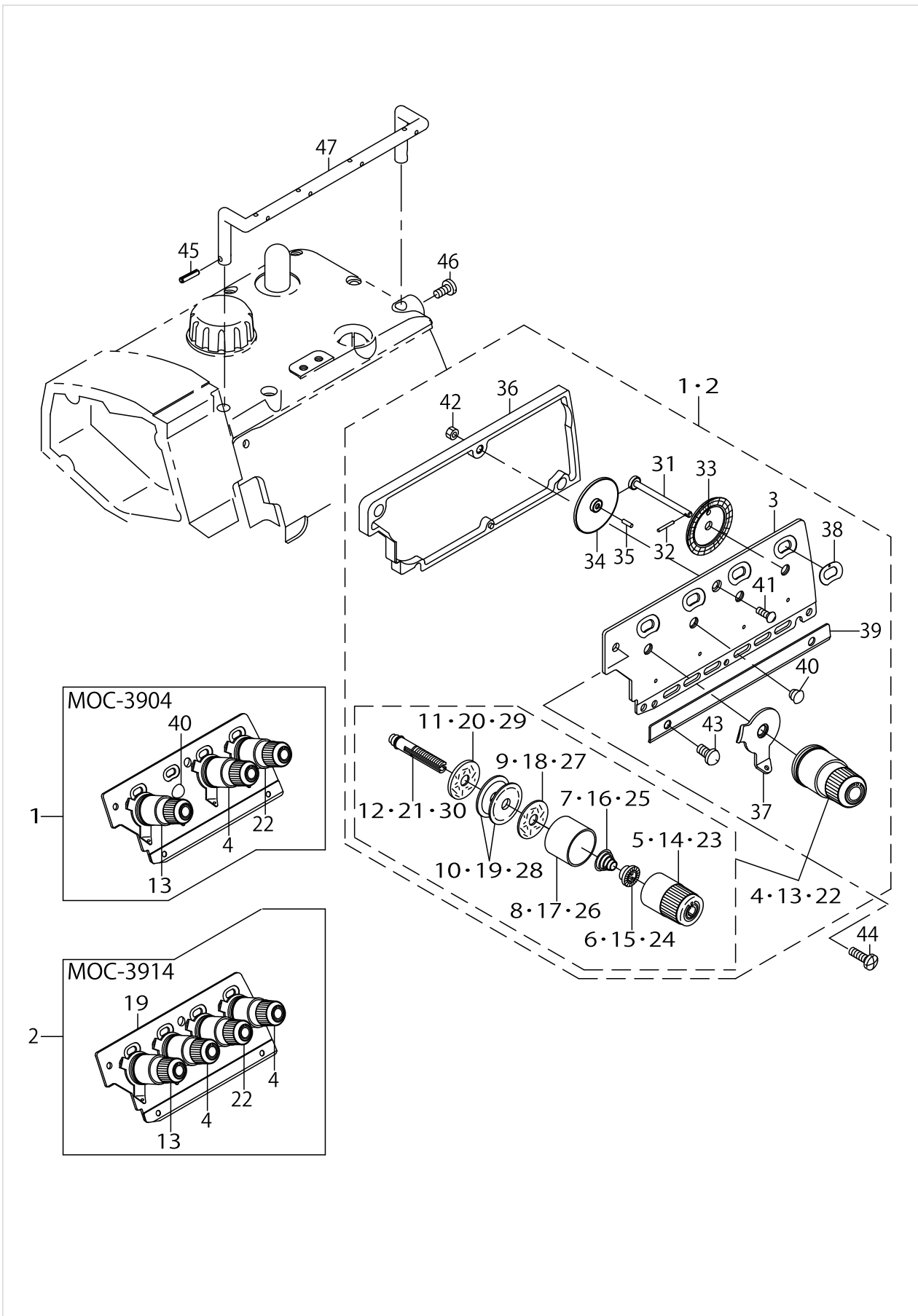
PRESSER FOOT COMPONENTS(2)



PRESSER FOOT COMPONENTS(2)

No.	Parts No.	Parts name	Remarks	Level	Cons	Qty
48	11820701	FINGER GUARD		*		1
49	12230264	PRESSER ASM.	FOR MOC-3914(FOR EXPORT)			1
50	B150880400B	SPRING		*		1
51	B150981400P	STITCH TONGUE		*		1
52	B1510814000	CURL GUARD		*		1
53	B1511814000	REAR PRESSER FOOT		*		1
54	B1530804000	STOPPER		*		1
55	SS6060210SP	SCREW 3/32-56 L= 1.9		*		1
56	SS6060440TP	SCREW 3/32-56 L=3.5		*		1
57	SS6090650SP	SCREW 9/64-40 L=6		*		1
58	SS7060610SP	SCREW 3/32-56 L= 5.5		*		1
59	SS7080520SP	SCREW 1/8-44 L=4.9		*		1
60	WP0250516SD	WASHER 2.5X6X0.5		*		1
61	11820701	FINGER GUARD		*		1
62	11872009	PRESSER FOOT HINGE		*		1
63	12232104	PRESSER FOOT		*		1

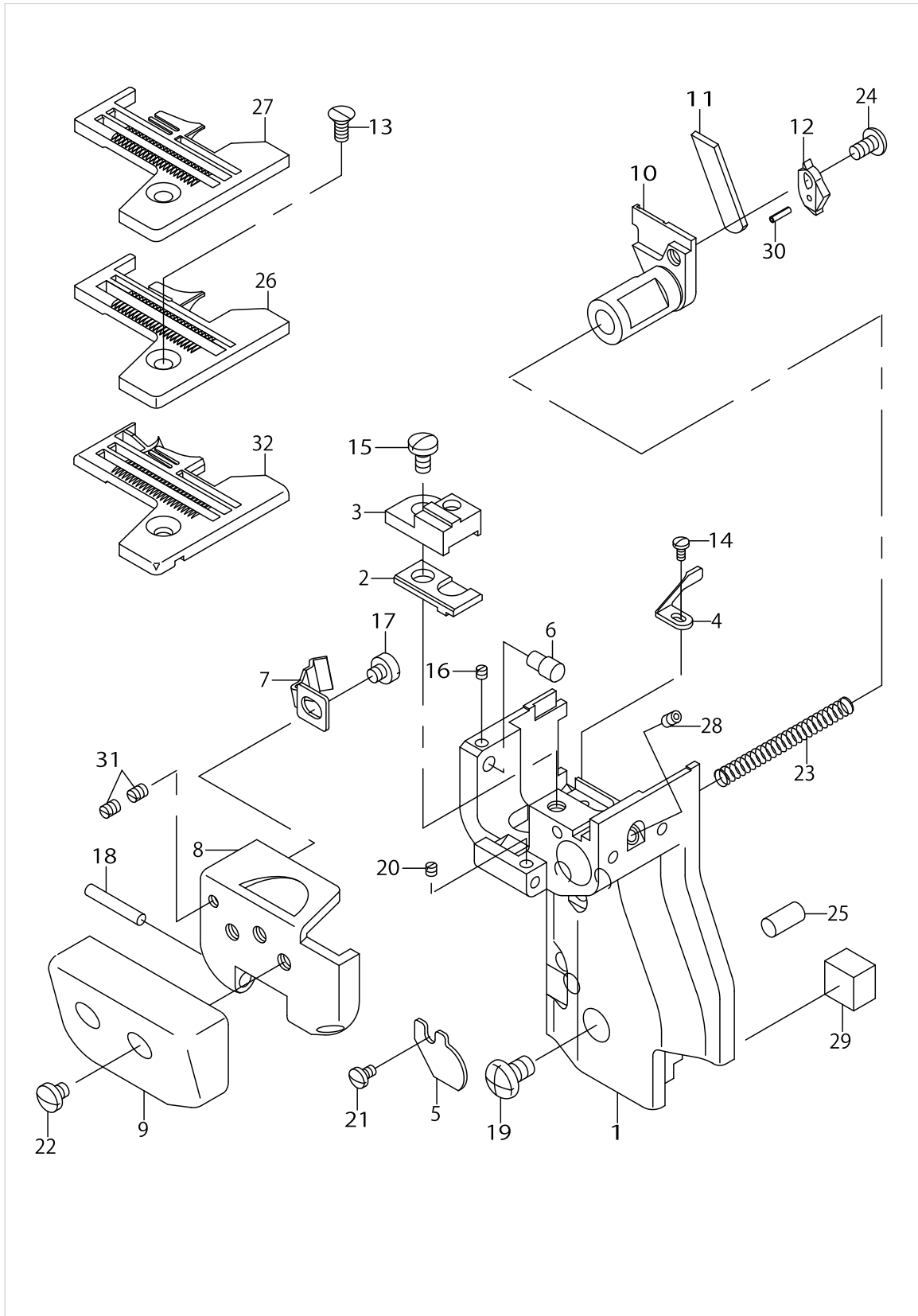
THREAD TENSION COMPONENTS



THREAD TENSION COMPONENTS

No.	Parts No.	Parts name	Remarks	Level	Cons	Qty
1	12180162	THREAD GUIDE PLATE ASM.	FOR MOC-3904			1
2	12180659	THREAD GUIDE PLATE ASM.	FOR MOC-3914			1
3	12126207	THREAD GUIDE PLATE		*		1
4	12126967	KNOB ASM.,YELLOW		*		2
5	12126918	KNOB ,YELLOW		*		1
6	B3112704000	TENSION SPRING BUSHING		*		1
7	B3102804000	TENSION SPRING, YELLOW		*		1
8	12126702	TESION DISK PRESSER		*		1
9	B3120704000	THREAD TENSION SPRING FELT		*		1
10	B3126012000	THREAD TENSION DISK		*		2
11	B3120352000	THREAD TENSION SPRING FELT		*		1
12	12126405	THREAD TENSION BAR		*		1
13	12126868	KNOB ASM.,RED		*		1
14	12126819	KNOB ,RED		*		1
15	B3112704000	TENSION SPRING BUSHING		*		1
16	B3101804000	TENSION SPRING, RED		*		1
17	12126702	TESION DISK PRESSER		*		1
18	B3120704000	THREAD TENSION SPRING FELT		*		1
19	B3126012000	THREAD TENSION DISK		*		2
20	B3120352000	THREAD TENSION SPRING FELT		*		1
21	12126405	THREAD TENSION BAR		*		1
22	12127064	KNOB ASM.,BLUE		*		1
23	12127015	KNOB ,BLUE		*		1
24	B3112704000	TENSION SPRING BUSHING		*		1
25	B3103804000	TENSION SPRING, BLUE		*		1
26	12126702	TESION DISK PRESSER		*		1
27	B3120704000	THREAD TENSION SPRING FELT		*		1
28	B3126012000	THREAD TENSION DISK		*		2
29	B3120352000	THREAD TENSION SPRING FELT		*		1
30	12126405	THREAD TENSION BAR		*		1
31	12127403	SCALE SHAFT		*		1
32	12127502	SCALE SHAFT PIN		*		1
33	12127601	SCALE GEAR		*		1
34	12127700	GEAR		*		1
35	12127809	GEAR SHAFT		*		1
36	12127957	SCALE CASE ASM.		*		1
37	12126504	NEEDLE THREAD GUIDE		*		1
38	12128203	SCALE SIDE PLATE		*		1
39	12128302	THREAD LOOPER GUIDE		*		1
40	TA0620504R0	CAP	FOR MOC-3904	*		1
41	SS2090830SL	SCREW		*		1
42	NS6090310SP	NUT 9/64-40		*		1
43	SS7110740TL	SCREW 11/64-40 L= 7.0		*		1
44	SM4041455SN	SCREW M4 L=14				2
45	PS0300132KH	SPRING PIN 3X13				1
46	SS7110910TP	SCREW 11/64-40 L= 8.5				1
47	12126108	CENTER THREAD GUIDE				1

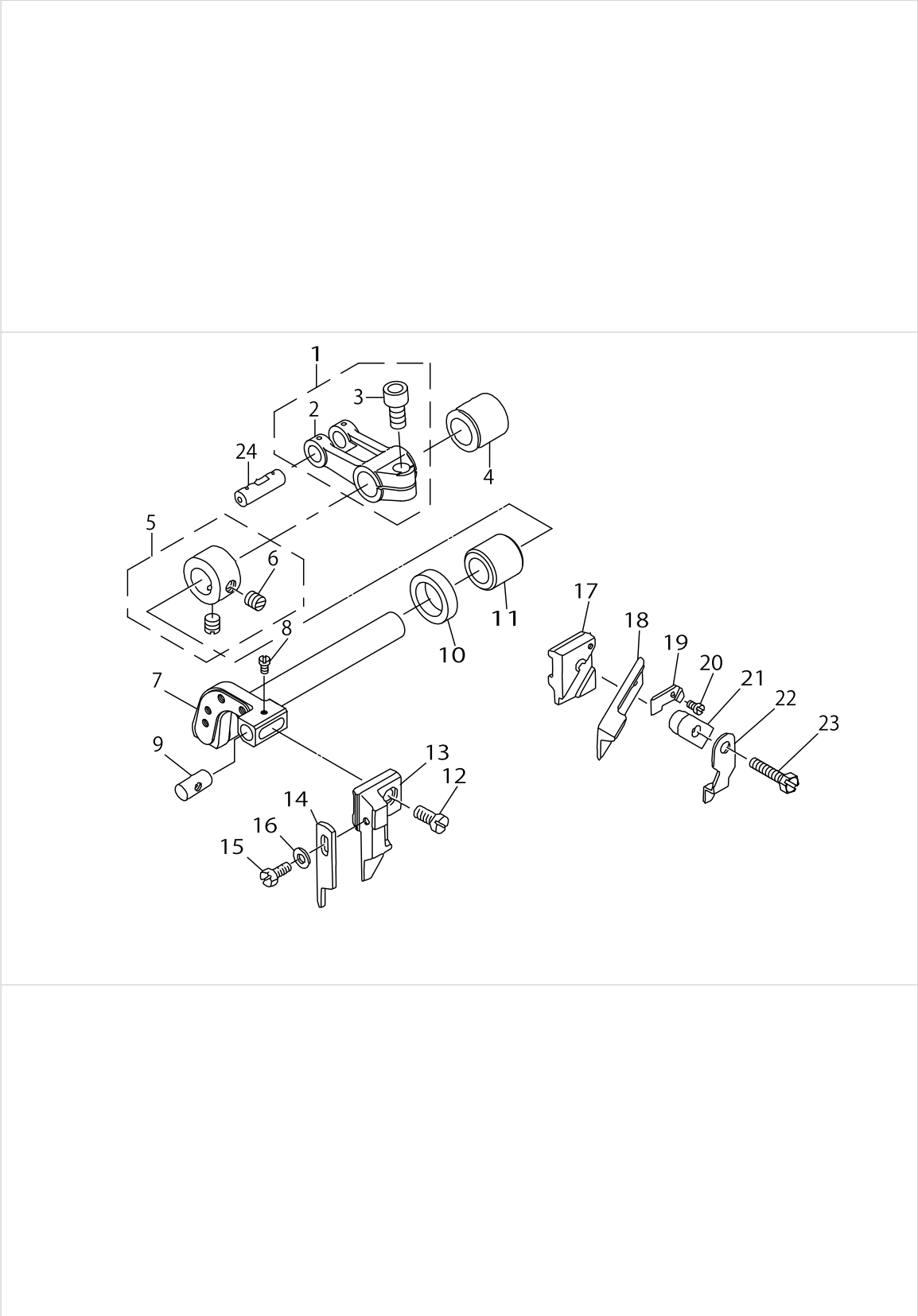
LOWER KNIFE COMPONENTS



LOWER KNIFE COMPONENTS

No.	Parts No.	Parts name	Remarks	Level	Cons	Qty
1	12219101	CYLINDER BRACKET				1
2	12219903	THRORT PLATE BASE, LOWER				1
3	12219804	THRORT PLATE BASE, UPPER				1
4	12240701	NEEDLE GUARD				1
5	12220109	SPRING STOPPER				1
6	12219606	PIN				1
7	12219507	SPRING				1
8	12219200	COVER BASE				1
9	12219358	CYLINDER COVER ASM.				1
10	12220000	LOWER KNIFE SLIDE STUD				1
11	12220307	LOWER KNIFE				1
12	12220208	LOWER KNIFE PRESSER PRATE				1
13	SS2110910SL	SCREW 11/64-40 L=9				1
14	SS7060510SP	SCREW 3/32-56 L=4.8				1
15	SS7110840SP	SCREW 11/64-40 L=7.8				1
16	SS8080310TP	SCREW 1/8-44 L=2.8				1
17	SS6110480SP	SCREW 11/64-40 L=4.3				1
18	11111705	WIPER SOLENOID PIN				1
19	SM4050855SP	SCREW				3
20	SS8080310TP	SCREW 1/8-44 L=2.8				1
21	SS7080520SP	SCREW 1/8-44 L=4.9				1
22	SS7110510SP	SCREW 11/64-40 L=5				2
23	12220505	SPRING				1
24	SS4110815SP	SCREW 11/64-40 L=8				1
25	12219705	PIN				2
26	R4200K0ED00	THROAT PLATE	FOR MOC-3904			1
27	R4305K0EE00	THROAT PLATE	FOR MOC-3914			1
28	SS8110422TP	SCREW 11/64-40 L=4				1
29	12220604	BRACKET				1
30	PS0150065KP	SPRING PIN 1.5X6				1
31	SS8080410TP	SCREW 1/8-44 L=3.5				2
32	R4305K0EE0A	THROAT PLATE	P05/Q01 EXCHAGING PARTS			1

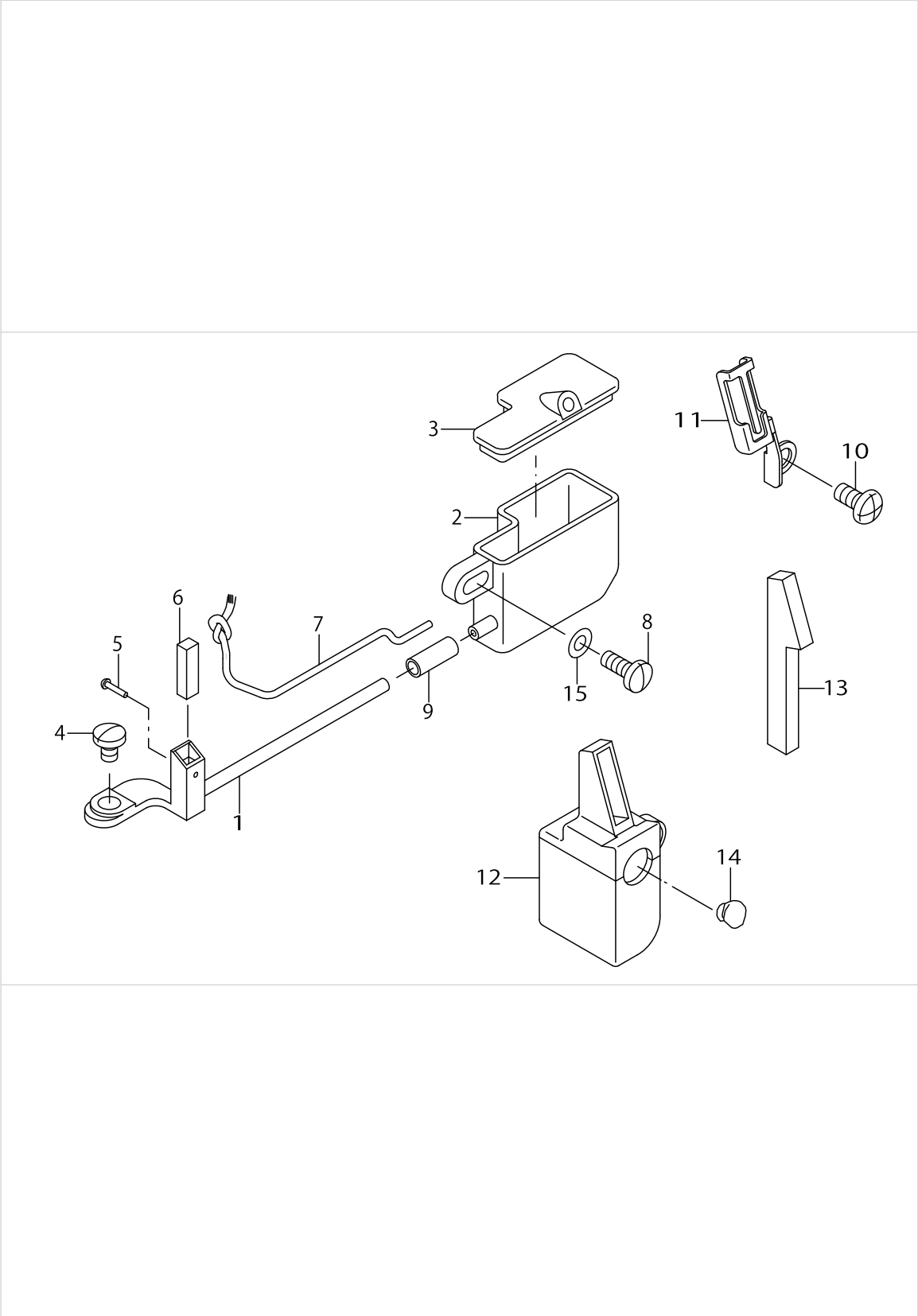
UPPER KNIFE COMPONENTS



UPPER KNIFE COMPONENTS

No.	Parts No.	Parts name	Remarks	Level	Cons	Qty
1	12132262	FEED FORKED ARM ASM.				1
2	12132213	UPPER KNIFE FORK ARM		*		1
3	SM6061202TP	SCREW M6 L=12		*		1
4	12132502	BUSHING, REAR				1
5	CS111101ESH	COLLAR ASM. D=11.11 W=10				1
6	SS8660330SP	SCREW 1/4-40 L= 3.0		*		2
7	12132304	KNIFE DRIVING ARM SHAFT				1
8	SS4060310SP	SCREW 3/32-56 L=2.5	MOC-3904,MOC-3914(FOR EXPORT)			1
9	11565801	UPPER KNIFE GUIDE SHAFT				1
10	11566809	OIL SEAL				1
11	12132403	BUSHING, FRONT				1
12	SS6111040SP	SCREW 11/64-40 L= 9.5	MOC-3904,MOC-3914(FOR JAPAN)			1
13	12133302	UPPER KNIFE SUPPORT A	MOC-3904,MOC-3914(FOR JAPAN)			1
14	11845609	KNIFE	MOC-3904,MOC-3914(FOR JAPAN)			1
15	SS9090813TP	SCREW 9/64-40 L=8	MOC-3904,MOC-3914(FOR JAPAN)			1
16	WP0370316SD	WASHER 3.7X8X0.3	MOC-3904,MOC-3914(FOR JAPAN)			1
17	11598000	UPPER KNIFE SUPPORT	MOC-3904,MOC-3914(FOR EXPORT)			1
18	11845807	UPPER KNIFE	MOC-3904,MOC-3914(FOR EXPORT)			1
19	11565702	WASHER	MOC-3904,MOC-3914(FOR EXPORT)			1
20	SS4060310SP	SCREW 3/32-56 L=2.5	MOC-3904,MOC-3914(FOR EXPORT)			1
21	11565504	UPPER KNIFE PRESSER PLATE	MOC-3904,MOC-3914(FOR EXPORT)			1
22	11848405	UPPER KNIFE COVER	MOC-3904,MOC-3914(FOR EXPORT)			1
23	SS9111610SP	SCREW 11/64-40 L=16	MOC-3904,MOC-3914(FOR EXPORT)			1
24	11823804	CRANK PIN C	SELECTING PART FOR FIT TOLERANCE			1

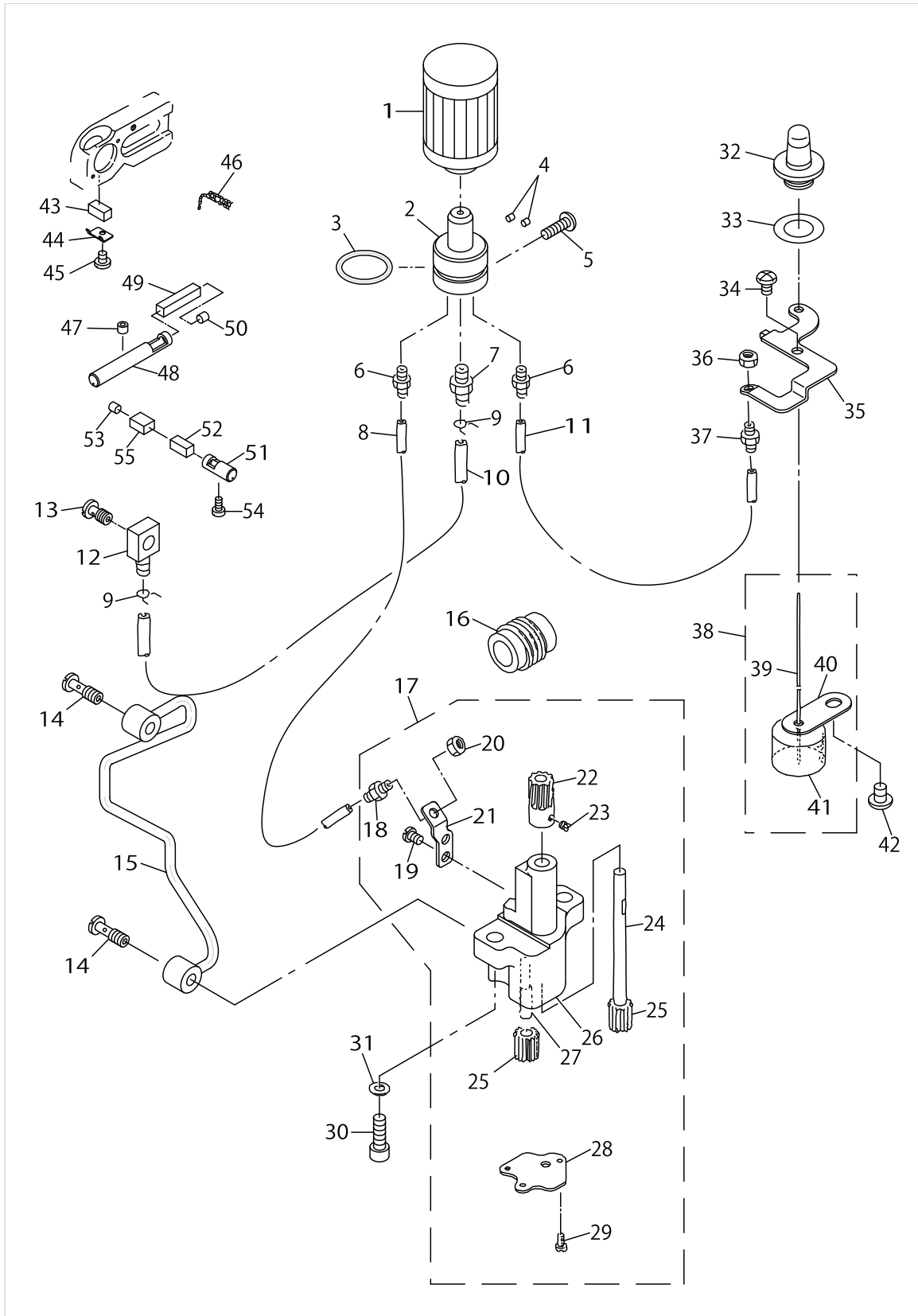
NEEDLE COOLING MECHANISM COMPONENTS



NEEDLE COOLING MECHANISM COMPONENTS

No.	Parts No.	Parts name	Remarks	Level	Cons	Qty
1	12224853	NEEDLE COOLER ASM.				1
2	12224606	TANK				1
3	12224705	TANK COVER				1
4	SS7090540TP	SCREW 9/64-40 L=5				1
5	11856101	NEEDLE COOLER PIN				1
6	12225009	FELT				1
7	CQ200000000	OIL WICK				0.15
8	SS7090910SP	SCREW 9/64-40 L= 8.5				1
9	BT0400251ED	TUBE HOSE, GREEN				0.02
10	SM4040855SP	SCREW				1
11	12138400	PRESSER				1
12	12138152	SILICON TANK ASM.				1
13	12138301	FELT				1
14	TA0950806R0	RUBBER PLUG				1
15	WP0371026SD	WASHER 3.7X7X1				1

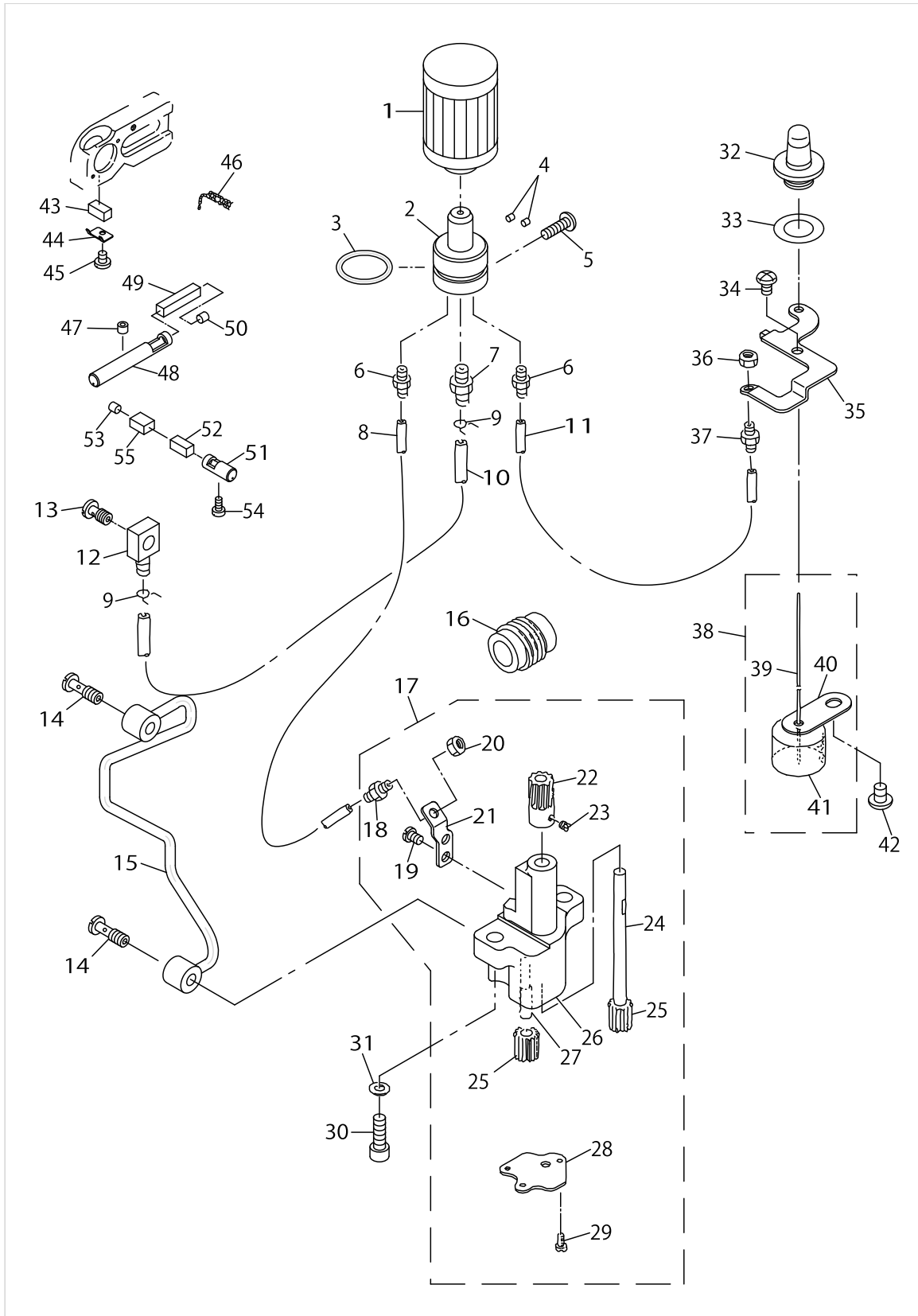
LUBRICATION MECHANISM COMPONENTS



LUBRICATION MECHANISM COMPONENTS

No.	Parts No.	Parts name	Remarks	Level	Cons	Qty
1	11843208	CARTRIDGE FILTER				1
2	12129706	FILTER GUIDE				1
3	RO218240100	RUBBER RING				1
4	TA0290301M0	RUBBER PLUG				2
5	SM4051601SC	SCREW M5X0.8 L=16				1
6	SQ1110451MZ	CONNECTING SCREW				2
7	SQ1150451MZ	CONNECTING SCREW				1
8	BT0500300EG	OIL TUBE				0.2
9	10126803	OIL TUBE HOLDER				2
10	BT0500300EA	OIL TUBE				0.3
11	BT0500300EA	OIL TUBE				0.2
12	SQ0000451MZ	CONNECTING SCREW				1
13	SQ1150441SD	CONNECTING SCREW				1
14	SQ1150454SD	CONNECTING SCREW				2
15	12218152	OIL PIPE ASM.				1
16	12129102	WORM				1
17	12129250	OIL PUMP ASM.				1
18	SQ1110451MZ	CONNECTING SCREW		*		1
19	SS4110615SP	SCREW 11/64-40 L=6		*		2
20	NS6110310SP	NUT 11/64-40		*		1
21	12129318	CONNECTING SCREW BRACKET		*		1
22	12256103	WORM GEAR		*		1
23	SS8110410TP	SCREW 11/64-40 L= 3.5		*		2
24	11841806	GEAR PUMP SHAFT, LARGE		*		1
25	11840303	OIL PUMP PINION		*		2
26	11840402	GEAR PUMP SHAFT		*		1
27	12129201	OIL PUMP		*		1
28	11843406	COVER		*		1
29	SS6090650SP	SCREW 9/64-40 L=6		*		3
30	SM6061802SP	SCREW M6 L=18				2
31	WP0651056SD	WASHER 6.5X11X1				2
32	12130100	OIL GAUGE				1
33	12130209	RUBBER PACKING				1
34	SM4050855SP	SCREW				1
35	12255907	OILING EXIT SUPPORT				1
36	NS6110310SP	NUT 11/64-40				1
37	SQ1110451MZ	CONNECTING SCREW				1
38	12129854	FLOAT ASM.				1
39	12129904	OIL GAUGE BAR		*		1
40	12130001	FLOAT SUPPORT		*		1
41	12129805	FLOAT		*		1
42	SM4060801SE	SCREW				1
43	12130803	OIL FELT				1
44	12130704	FELT HOLDER				1
45	SS7060310SP	SCREW 3/32-56 L=3				1
46	CQ202000000	OIL WICK				0.1
47	SM8050402TP	SCREW				1

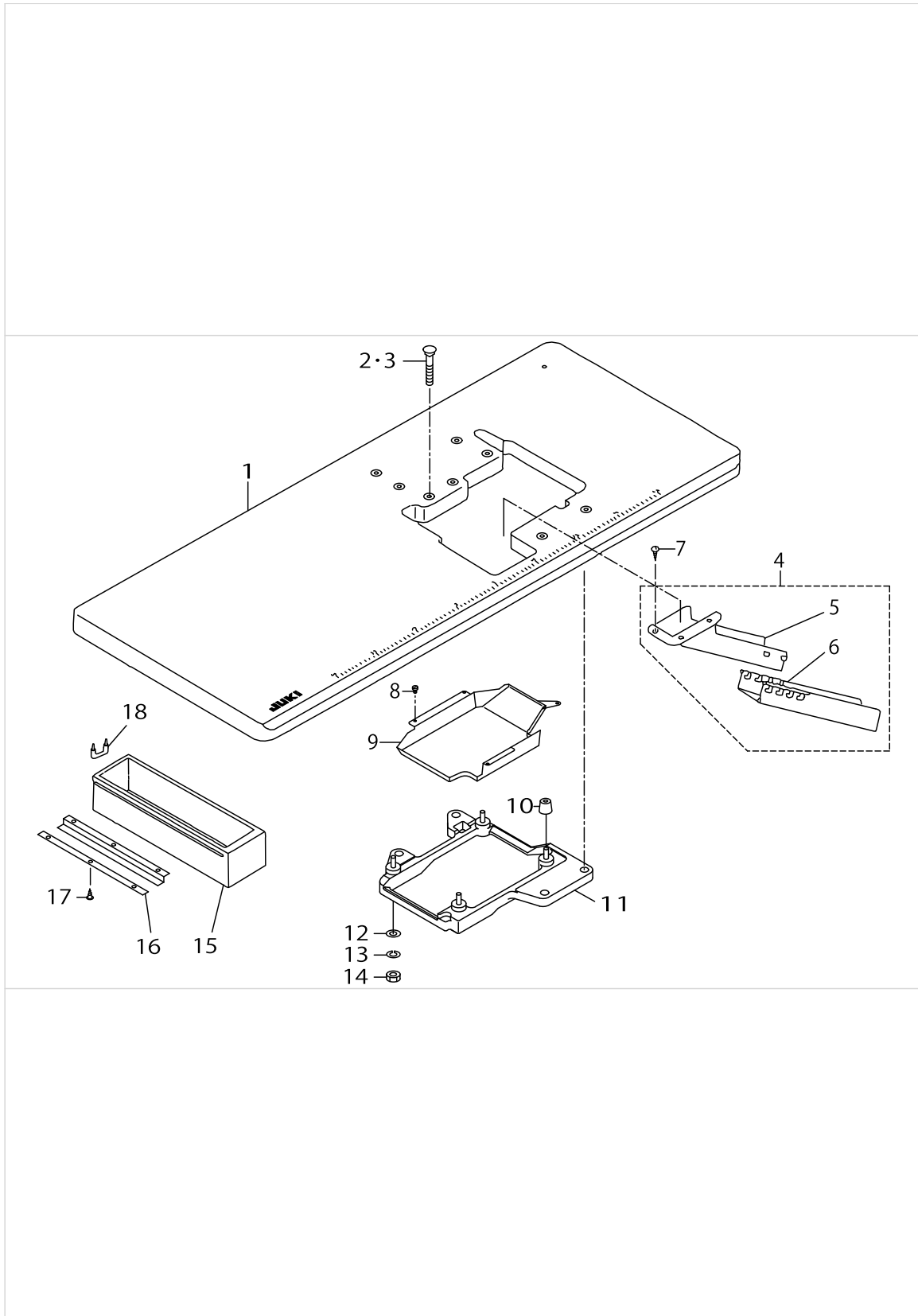
LUBRICATION MECHANISM COMPONENTS



LUBRICATION MECHANISM COMPONENTS

No.	Parts No.	Parts name	Remarks	Level	Cons	Qty
48	12130308	OILING PIN				1
49	12130407	OIL FELT				1
50	TA0400301M0	PLUG D=4X4.5 L=3				1
51	12130506	OILING PIN				1
52	12130605	OIL FELT				1
53	TA0400301M0	PLUG D=4X4.5 L=3				1
54	SS6121020SP	SCREW 3/16-28 L= 9.5				1
55	12215802	LUBRICATING LIMIT FELT				1

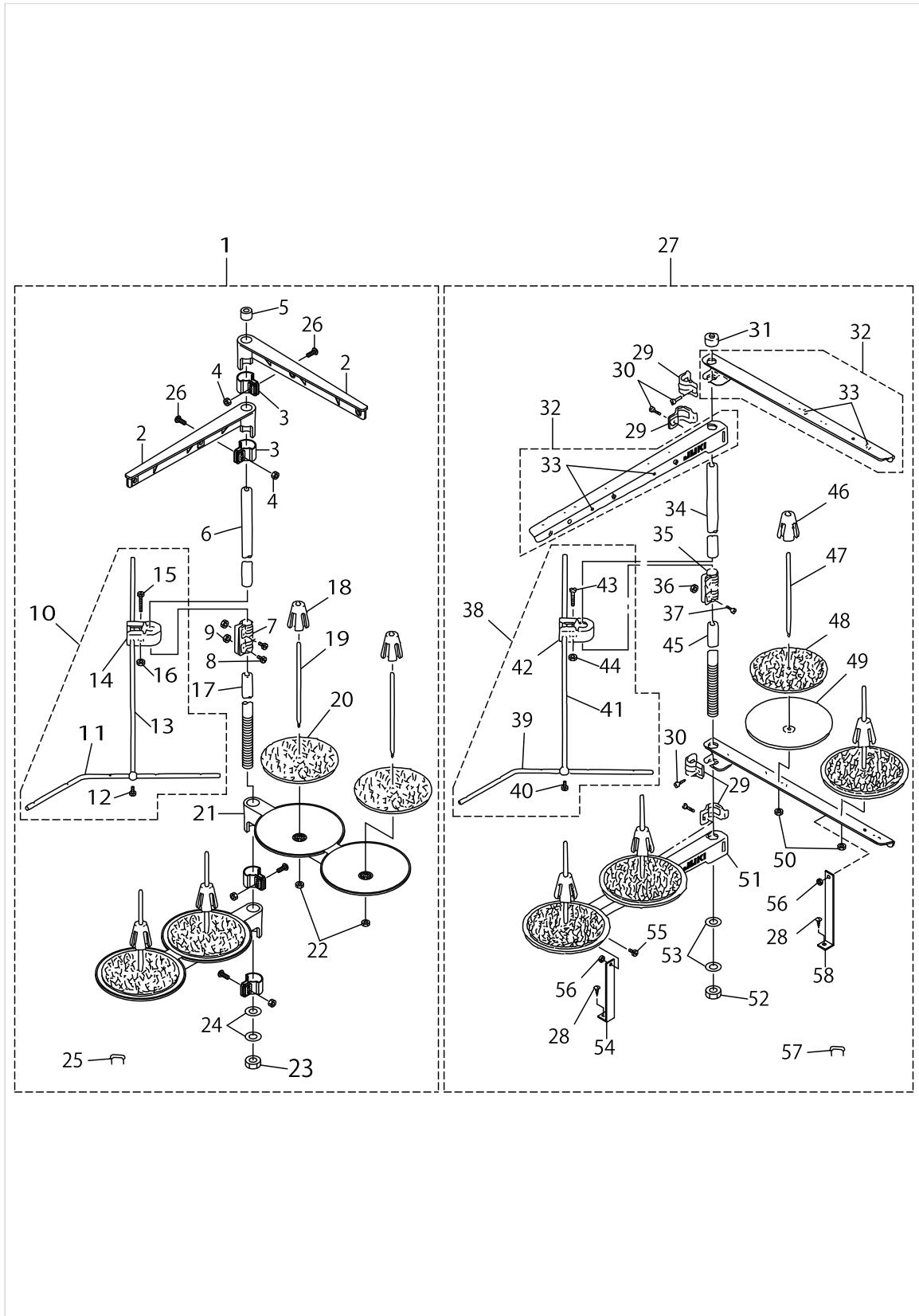
SEMI-SUNKEN TYPE TABLE COMPONENTS



SEMI-SUNKEN TYPE TABLE COMPONENTS

No.	Parts No.	Parts name	Remarks	Level	Cons	Qty
1	12221602	TABLE(SEMI-SUNKEN)				1
2	11966702	BOLT A	FOR JAPAN			4
3	11571601	BOLT A	FOR EXPORT			4
4	11960150	CLOTH WASTE CHUTE ASM.(BENCH)				1
5	11960101	CLOTH WASTE CHUTE,UPPER(BENCH)		*		1
6	11960002	CLOTH WASTE CHUTE,LOWER(BENCH)		*		1
7	SK2351600SC	WOOD SCREW D=3.5 L=16				3
8	SS6090630SP	SCREW 9/64-40 L=6				4
9	12221800	COOLING FAN CASE				1
10	11571403	RUBBER CUSHION				4
11	12221701	FRAME SUPPORT PLATE				1
12	WP1102016SC	WASHER 11X21X2				4
13	WS1002560KR	SPRING WASHER 10X18X2.5				4
14	NS6240630SN	NUT 3/8-18				4
15	11155108	DRAWER				1
16	11155207	DRAWER SUPPORT				2
17	SK3311500SC	WOOD SCREW D=3.1 L=15				6
18	D8204555D00	DRAWER STOPPER				1

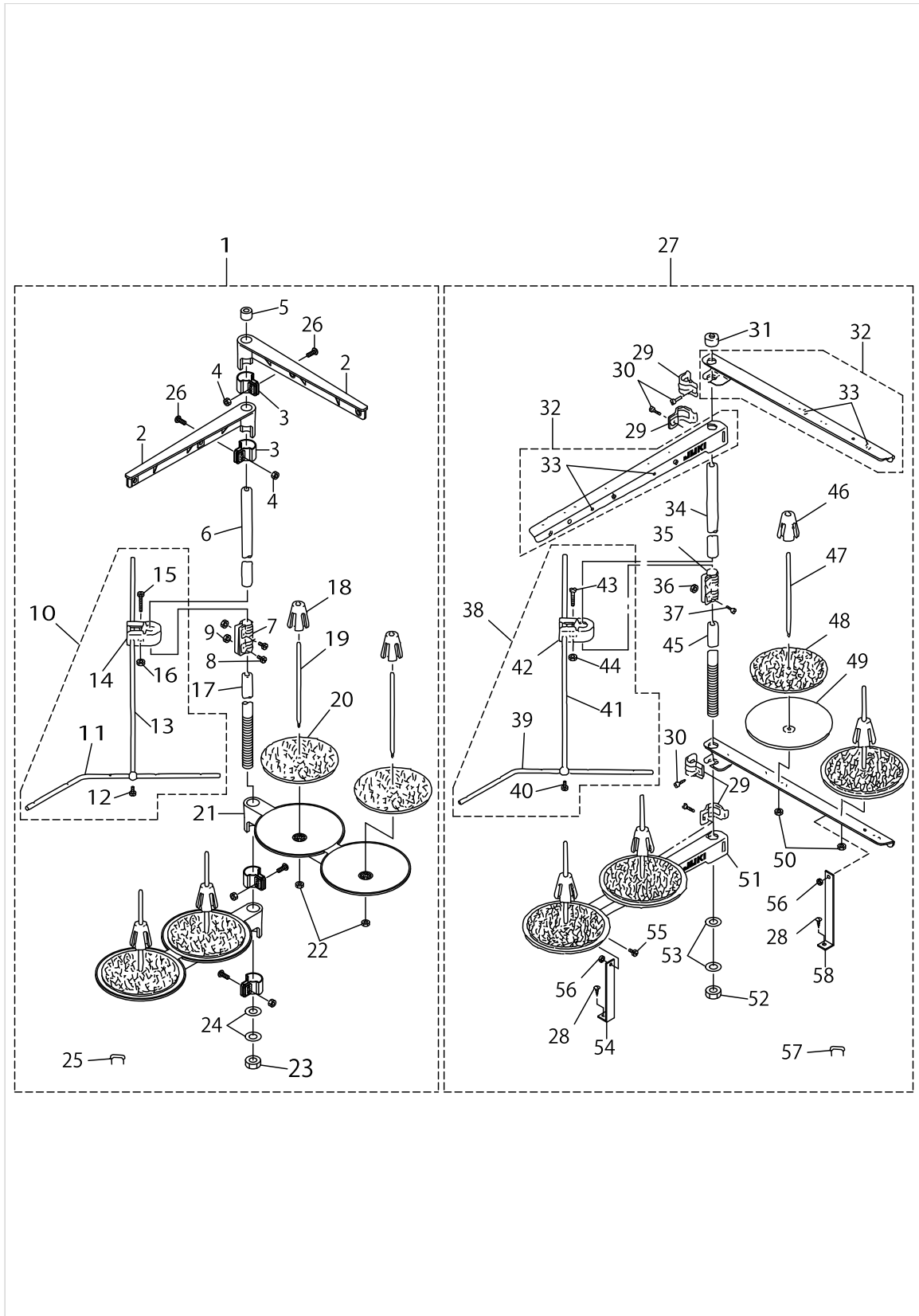
THREAD STAND COMPONENTS(FOR MO-3904,MO-3914)



THREAD STAND COMPONENTS(FOR MO-3904,MO-3914)

No.	Parts No.	Parts name	Remarks	Level	Cons	Qty
1	11969458	THREAD STANDING DEVICE ASM.				1
2	11185352	THREAD GUIDE ASM.		*		2
3	11185402	THREAD GUIDE ARM JOINT		*		4
4	NM6050001SE	NUT M5		*		4
5	B3311704000	SPOOL REST ROD CAP		*		1
6	11185204	SPOOL REST ROD,UPPER		*		1
7	B3305704000A	SPOOL REST ROD JOINT		*		1
8	SM4051405SE	SCREW M5 L=14		*		2
9	NM6050001SE	NUT M5		*		2
10	B33097040A0	THREAD GUIDE ARM ASM.		*		1
11	B3311804000	LOWER THREAD GUIDE		*		1
12	SS7110540SP	SCREW 11/64-40 L=5		*		1
13	B3309704000	THREAD GUIDE ARM		*		1
14	B3304704000A	THREAD GUIDE ARM HOLDER		*		1
15	SM6053000SE	SCREW M5X0.8 L=30		*		1
16	NM6050001SE	NUT M5		*		1
17	11185105	SPOOL REST ROD,LOWER		*		1
18	11185501	SPOOL RETAINER		*		4
19	B3320704L00A	SPOOL PIN		*		4
20	B3311012000	SPOOL REST CUSHION		*		4
21	11185006	SPOOL REST ARM		*		2
22	NM6050001SE	NUT M5		*		4
23	B3317704000	NUT		*		1
24	WP1612616SE	WASHER 16X30X2.6		*		2
25	MAO11532000	CORD STAPLE		*		3
26	SM4051405SE	SCREW M5 L=14		*		4
27	11969953	THREAD STANDING DEVICE ASM.	SPECIAL ORDER PART FOR LARGE SPOOL THREAD STAND (FOR JE)			1
28	SK3382001SE	SCREW D=3.8 L=20		*		2
29	B3318704L00A	THREAD GUIDE ARM JOINT		*		4
30	SM6061610SC	SCREW M6 L=16		*		4
31	B3311704000	SPOOL REST ROD CAP		*		1
32	11969573	SPOOL REST ARM A ASM.		*		2
33	B3319704L00	THREAD GUIDE		*		4
34	11185204	SPOOL REST ROD,UPPER		*		1
35	B3305704000A	SPOOL REST ROD JOINT		*		1
36	NM6050001SE	NUT M5		*		2
37	SM4051405SE	SCREW M5 L=14		*		2
38	B33097040A0	THREAD GUIDE ARM ASM.		*		1
39	B3311804000	LOWER THREAD GUIDE		*		1
40	SS7110540SP	SCREW 11/64-40 L=5		*		1
41	B3309704000	THREAD GUIDE ARM		*		1
42	B3304704000A	THREAD GUIDE ARM HOLDER		*		1
43	SM6053000SE	SCREW M5X0.8 L=30		*		1
44	NM6050001SE	NUT M5		*		2
45	11185105	SPOOL REST ROD,LOWER		*		1

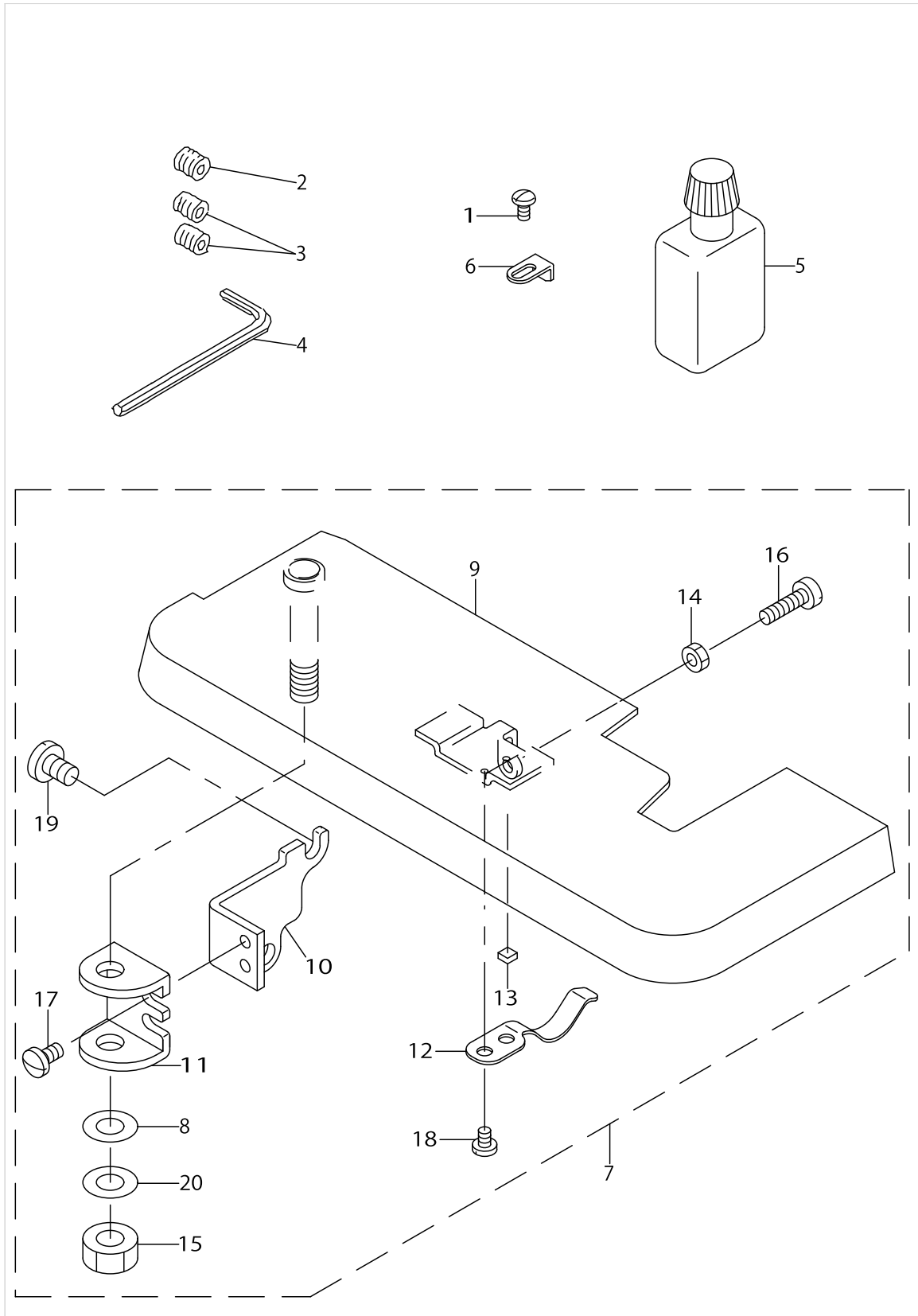
THREAD STAND COMPONENTS(FOR MO-3904,MO-3914)



THREAD STAND COMPONENTS(FOR MO-3904,MO-3914)

No.	Parts No.	Parts name	Remarks	Level	Cons	Qty
46	11185501	SPOOL RETAINER		*		4
47	B3320704L00A	SPOOL PIN		*		4
48	B3311012000	SPOOL REST CUSHION		*		4
49	11966504	SPOOL REST		*		4
50	NM6050001SE	NUT M5		*		4
51	11969508	SPOOL REST ARM A		*		2
52	B3317704000	NUT		*		1
53	WP1612616SE	WASHER 16X30X2.6		*		2
54	B3321704L00	SPOOL REST ARM SUPPORT, A		*		1
55	SM4061201SE	SCREW M6 L=12		*		2
56	NM6060001SE	NUT M6		*		2
57	MAO11532000	CORD STAPLE		*		3
58	B3321704L0B	SPOOL REST ARM SUPPORT, B		*		1

SPECIAL ORDER PARTS COMPONENTS



SPECIAL ORDER PARTS COMPONENTS

No.	Parts No.	Parts name	Remarks	Level	Cons	Qty
1	SS4080620TP	SCREW 1/8-44 L=6				1
2	SS8080322TP	SCREW 1/8-44 L=3.2	FOR MOC-3904			1
3	SS8080322TP	SCREW 1/8-44 L=3.2	FOR MOC-3914			2
4	B9112804000	SPANNER				1
5	B91351230B0	SILICON OIL LUBRICANT ASM. (30				1
6	11898103	PRESSER FOOT AUXILIARY PLATE				1
7	12226155	CLOTH BASE ASM.				1
8	WZ0850302K0	WAVED WASHER 8.5X12.5X0.3		*		1
9	12226163	CLOTH BASE ASM.		*		1
10	12226304	FITTING PLATE A		*		1
11	12226403	FITTING PLATE B		*		1
12	12226502	CLOTH BASE SPRING		*		1
13	11806304	PLUG		*		1
14	NS6110310SP	NUT 11/64-40		*		1
15	NS6680320SP	NUT 9/32-28		*		2
16	SS6111610SP	SCREW 11/64-40 L=16		*		1
17	SS7110840SP	SCREW 11/64-40 L=7.8		*		2
18	SS7090540TP	SCREW 9/64-40 L=5		*		2
19	SS7150910TP	SCREW 15/64-28 L=9		*		2
20	WP08416000E	WASHER 8.4X15.5X1.6		*		1

HOW TO MAKE USE OF THIS PARTS LIST

1.Explanation of codes

1)"*"mark.....means this part is changed from the previous parts book.

As to the details of the change, refer to the "List for information of change".

2)"#01".....refer to "Note" explanation at bottom of page.

2.Codes on the "Qty" column

- Each numeral indicates the number of parts required.
- "0.1" and "2.5" indicate the length (in meters) of the respective parts.

3.Parentheses mean that the corresponding part is a subpart that constructs an assembly part.

4.Dotted lines on the Figures indicate assembly parts.

1."注記"欄の記号説明

1) "*"印.....前回のパーツブックに比較して今回変更された部品を意味します。

変更内容は、"変更情報リスト"を参照してください。

2) "#01".....ページ下の"注記"の説明を参照してください。

2.数量欄の数字は、個数を表し、0.1、2.5等の数値は、長さ（単位メートル）を表します。

3.数量欄の（ ）は、組部品を構成している子部品であることを意味します。

4.イラストページの-----枠は、組構成であることを意味します。

NUMERICAL INDEX OF PARTS

PART NO	PAGE	REF NO.	PART NO	PAGE	REF NO.	PART NO	PAGE	REF NO.
10004109	4	13	11840303	40	25	12109500	12	7
10126803	40	9	11840402	40	26	12109617	12	12
11111705	34	18	11841806	40	24	12109666	12	11
11155108	44	15	11843208	40	1	12109906	12	20
11155207	44	16	11843406	40	28	12109955	12	19
11185006	46	21	11845609	36	14	12110227	12	23
11185105	46	45	11845807	36	18	12110607	12	39
11185204	46	34	11848405	36	22	12110805	12	41
11185352	46	2	11856101	38	5	12110904	12	40
11185402	46	3	11872009	28	62	12111209	12	27
11185501	46	46	11872009	30	62	12111308	12	29
11185501	48	46	11874609	28	15	12111506	12	44
11503703	4	29	11898103	50	6	12111605	14	46
11510609	8	40	11960002	44	6	12111803	12	31
11517000	24	48	11960101	44	5	12111902	12	33
11529005	20	60	11960150	44	4	12112108	12	35
11529914	18	5	11966504	48	49	12112207	14	51
11565504	36	21	11966702	44	2·3	12112306	14	52
11565702	36	19	11969458	46	1	12113205	26	23
11565801	36	9	11969508	48	51	12113304	26	24
11566809	36	10	11969573	46	32	12113403	26	33
11571403	44	10	11969953	46	27	12113452	26	32
11571601	44	2·3	12100301	6	50	12113502	26	30
11598000	36	17	12100418	4	1	12114302	26	19
11803004	2	16	12100517	6	48	12114468	26	20
11805207	4	21	12100608	4	3	12114609	26	14
11806304	50	13	12100707	4	2	12114716	26	11
11811619	8	46	12100806	4	5	12114807	26	13
11819109	26	37	12101408	2	22	12114906	26	17
11819315	26	36	12101515	2	10	12115002	26	2
11819414	26	26	12101804	4	45	12115051	26	1
11819703	26	29	12101903	4	10	12115101	26	3
11820701	28	61	12101952	4	7	12115200	26	4
11820701	30	61	12102000	4	26	12115309	26	8
11823804	12	10	12103206	2	21	12115903	26	12
11823804	16	26	12103404	2	26	12118303	18	25
11823804	36	24	12104907	4	28	12118600	16	30
11828050	18	7	12105201	4	42	12118709	20	65
11831708	22	45	12107611	8	47	12122354	8	26
11831757	22	44	12107702	8	43	12122404	22	5
11831807	22	26	12109104	8	24	12122511	22	4
11831906	22	25	12109153	8	23	12122610	22	1
11833100	22	17	12109211	12	3	12122800	22	41
11833407	22	22	12109260	12	1	12122859	22	40
11833506	22	12	12109302	12	4	12122909	22	34

NUMERICAL INDEX OF PARTS

PART NO	PAGE	REF NO.	PART NO	PAGE	REF NO.	PART NO	PAGE	REF NO.
12123204	22	33	12132262	36	1	12209201	18	36
12123808	22	19	12132304	36	7	12209300	18	37
12123907	22	23	12132403	36	11	12209409	20	48
12124004	22	10	12132502	36	4	12209458	18	46
12124400	8	30	12133302	36	13	12209508	18	47
12124509	8	38	12138152	38	12	12209607	20	49
12126108	32	47	12138301	38	13	12209706	18	43
12126207	32	3	12138400	38	11	12209805	18	42
12126405	32	12·21·30	12148607	12	30	12209904	18	2
12126504	32	37	12148706	12	34	12209953	18	1
12126702	32	8·17·26	12160008	28	44	12210001	18	3
12126819	32	5·14·23	12180162	32	1·2	12210100	8	9
12126868	32	4·13·22	12180659	32	1·2	12210209	18	11
12126918	32	5·14·23	12200200	2	1	12210308	18	6
12126967	32	4·13·22	12200309	2	2	12210407	18	26
12127015	32	5·14·23	12200408	2	3	12210506	18	24
12127064	32	4·13·22	12200507	2	5	12210605	18	23
12127403	32	31	12200655	2	23	12210704	18	30
12127502	32	32	12200804	2	20	12210803	18	31
12127601	32	33	12200903	2	18	12210902	18	41
12127700	32	34	12201059	4	17	12211009	20	54
12127809	32	35	12201117	4	34	12211157	20	64
12127957	32	36	12201166	4	33	12211306	20	69
12128203	32	38	12201208	4	44	12211405	20	56
12128302	32	39	12203600	8	11	12211504	20	71
12129102	40	16	12203816	8	36	12211603	20	57
12129201	40	27	12203907	8	15	12211702	16	28
12129250	40	17	12204004	8	2	12211801	16	27
12129318	40	21	12204103	8	14	12212007	20	76
12129706	40	2	12204202	8	10	12212106	20	75
12129805	40	41	12206603	26	40	12214607	22	7
12129854	40	38	12206702	26	38	12214656	22	6
12129904	40	39	12208104	16	2	12214706	22	35
12130001	40	40	12208161	16	1	12214755	22	32
12130100	40	32	12208203	16	4	12214805	22	30
12130209	40	33	12208302	16	11	12214904	24	61
12130308	42	48	12208401	16	12	12215000	24	64
12130407	42	49	12208500	16	18	12215158	8	31
12130506	42	51	12208609	16	17	12215208	24	60
12130605	42	52	12208708	16	19	12215307	24	50
12130704	40	44	12208807	16	15	12215356	24	49
12130803	40	43	12208906	16	10	12215406	24	58
12132106	8	19	12209003	16	24	12215554	22	14
12132155	8	18	12209052	16	22	12215604	24	56
12132213	36	2	12209102	18	35	12215703	22	28

NUMERICAL INDEX OF PARTS

PART NO	PAGE	REF NO.	PART NO	PAGE	REF NO.	PART NO	PAGE	REF NO.
12215802	42	55	12247300	22	38	B3126012000	32	10·19·28
12218152	40	15	12250205	6	49	B322877100B	18	34
12219101	34	1	12252805	12	5	B3304704000A	46	42
12219200	34	8	12252904	12	15	B3305704000A	46	35
12219358	34	9	12253308	14	53	B3309704000	46	41
12219507	34	7	12253811	28	1	B33097040A0	46	38
12219606	34	6	12255907	40	35	B3311012000	46	48
12219705	34	25	12256004	14	57	B3311012000	48	48
12219804	34	3	12256103	40	22	B3311704000	46	31
12219903	34	2	12258000	4	41	B3311804000	46	39
12220000	34	10	12280103	8	45	B3317704000	46	52
12220109	34	5	12280608	12	38	B3317704000	48	52
12220208	34	12	12372108	12	24	B3318704L00A	46	29
12220307	34	11	12372157	12	22	B3319704L00	46	33
12220505	34	23	13508700	24	53	B3320704L00A	46	47
12220604	34	29	B1140716000	2	11	B3320704L00A	48	47
12221602	44	1	B1211804000	8	39	B3321704L00	48	54
12221701	44	11	B1212704000	8	16	B3321704L0B	48	58
12221800	44	9	B150880400B	28	50	B9112804000	50	4
12224606	38	2	B150880400B	30	50	B91351230B0	50	5
12224705	38	3	B1509804C00	28	29	BT0400251ED	38	9
12224853	38	1	B150981400P	30	51	BT0500300EA	40	11
12225009	38	6	B1510814000	28	52	BT0500300EG	40	8
12226155	50	7	B1510814000	30	52	BT0600402EA	14	54
12226163	50	9	B1511814000	28	53	CM300200001	2	27
12226304	50	10	B1511814000	30	53	CM3002000A1	4	8
12226403	50	11	B1528804000A	28	2	CM300200101	4	11·12
12226502	50	12	B1530804000	28	54	CM3002001A1	4	11·12
12229100	2	8	B1530804000	30	54	CQ200000000	24	47
12230165	28	19	B1534804000	26	22	CQ200000000	38	7
12230264	30	49	B1536804000	20	73	CQ202000000	22	46
12230355	28	34	B1620804000	18	38	CQ202000000	40	46
12230769	28	4	B1646704000A	20	63	CQ252000000	12	21
12232104	28	63	B1647704000A	20	62	CS0790731SH	18	9
12232104	30	63	B1652704000	16	31	CS087081BSH	20	67
12235107	18	14	B1707155000	18	39	CS087081CSH	20	72
12235206	18	15	B2530704000	22	15	CS1031210SH	22	62
12236600	18	20	B2531704000	24	51	CS1031210SH	24	62
12236709	18	21	B3013141H0A	4	25	CS111101ESH	36	5
12238101	18	18	B3101804000	32	7·16·25	CS1201010SH	12	8
12238200	18	19	B3102804000	32	7·16·25	CS120101BSH	20	52
12240107	24	67	B3103804000	32	7·16·25	D8204555D00	44	18
12240602	24	65	B3112704000	32	6·15·24	MAO11532000	46	57
12240701	34	4	B3120352000	32	11·20·29	MAO11532000	48	57
12247102	22	39	B3120704000	32	9·18·27	MC033600750	14	56

NUMERICAL INDEX OF PARTS

PART NO	PAGE	REF NO.	PART NO	PAGE	REF NO.	PART NO	PAGE	REF NO.
MDC270B1100	14	50	SD0280401SL	12	42	SQ1150454SD	40	14
NM6050001SE	46	50	SD0640241SP	26	6	SS2090520SL	2	9
NM6050001SE	48	50	SD0640321TP	20	55	SS2090830SL	32	41
NM6060001SE	48	56	SK2351600SC	44	7	SS2110910SL	34	13
NM6060003SC	26	28	SK3311500SC	44	17	SS3090610SP	2	15
NS6090310SN	2	12	SK3382001SE	46	28	SS3090610SP	22	24
NS6090310SP	32	42	SK3412000SC	4	43	SS4060310SP	36	20
NS6110310SP	40	36	SM0081001SD	4	36	SS4080610SP	24	66
NS6110310SP	50	14	SM1040801SC	4	46	SS4080620TP	50	1
NS6110420SP	26	39	SM4040601SC	4	18	SS4090615SP	22	29
NS6240630SN	44	14	SM4040655SP	2	14	SS4110515SP	12	28
NS6680320SP	50	15	SM4040655SP	22	20	SS4110615SP	40	19
NS6680410SP	4	32	SM4040855SP	4	47	SS4110715SP	26	10
PS0150065KP	34	30	SM4040855SP	12	36	SS4110815SP	34	24
PS0200062KH	24	52	SM4040855SP	18	27	SS4120615SP	2	24
PS0300132KH	4	37	SM4040855SP	38	10	SS4121215SP	26	25
PS0300132KH	16	13	SM4041055SP	2	25	SS4151215SP	4	14
PS0300132KH	32	45	SM4041455SN	32	44	SS5080212TP	8	12
PS0300142KH	26	7	SM4050855SP	2	7	SS5110710SP	4	23
R4200K0ED00	34	26	SM4050855SP	8	44	SS5110740TP	8	1
R4305K0EE00	34	27	SM4050855SP	20	59	SS6060210SP	28	55
R4305K0EE0A	34	32	SM4050855SP	34	19	SS6060210SP	30	55
RE0320000K0	16	29	SM4050855SP	40	34	SS6060440TP	28	56
RE0400000K0	18	4	SM4051255SP	4	4	SS6060440TP	30	56
RO037180100	18	12	SM4051405SE	46	37	SS6080340SP	16	16
RO037180100	22	27	SM4051601SC	40	5	SS6080340SP	26	9
RO060150100	20	66	SM4060801SE	40	42	SS6080410SP	20	50
RO074240100	4	35	SM4061201SE	48	55	SS6080410SP	22	13
RO078190100	4	6	SM6053000SE	46	43	SS6080720SP	12	37
RO108240100	12	25	SM6061200SP	22	37	SS6090630SP	22	16
RO110090100	26	18	SM6061200SP	26	27	SS6090630SP	44	8
RO218240100	40	3	SM6061202TP	8	29	SS6090630TP	24	55
RO315200100	2	4	SM6061202TP	12	2	SS6090650SP	28	57
RO347350100	8	42	SM6061202TP	16	23	SS6090650SP	30	57
SB31200030A	8	4~8	SM6061202TP	36	3	SS6090650SP	40	29
SB31200030B	8	4~8	SM6061402TP	12	13	SS6090670TP	12	45
SB31200030C	8	4~8	SM6061610SC	46	30	SS6090810TP	18	22
SB31200030D	8	4~8	SM6061802SP	40	30	SS6090910TP	18	28
SB31200030E	8	4~8	SM8040402TP	26	15	SS6090910TP	24	59
SB33500020A	16	5~9	SM8040612TP	12	26	SS6110480SP	34	17
SB33500020B	16	5~9	SM8050402TP	40	47	SS6110710TP	26	31
SB33500020C	16	5~9	SQ0000451MZ	40	12	SS6110820TP	18	32
SB33500020D	16	5~9	SQ1110451MZ	40	37	SS6111010TP	18	33
SB33500020E	16	5~9	SQ1150441SD	40	13	SS6111040SP	36	12
SD0260271SP	16	14	SQ1150451MZ	40	7	SS6111110SP	16	20

NUMERICAL INDEX OF PARTS

PART NO	PAGE	REF NO.	PART NO	PAGE	REF NO.	PART NO	PAGE	REF NO.
SS6111140SP	24	57	SS8080410TP	34	31	WP0621016SD	20	61
SS6111610SP	50	16	SS8090530TP	12	14	WP0651056SD	40	31
SS6121020SP	42	54	SS8110410TP	2	19	WP0751576SD	4	30
SS6121220TP	18	40	SS8110410TP	18	74	WP0764016SP	10	49
SS6660610TP	20	70	SS8110410TP	20	74	WP08416000E	50	20
SS6660710TP	16	3	SS8110410TP	40	23	WP1102016SC	44	12
SS7060310SP	40	45	SS8110422TP	8	3	WP1612616SE	46	53
SS7060510SP	34	14	SS8110422TP	34	28	WP1612616SE	48	53
SS7060610SP	18	17	SS8110520TP	16	21	WS0822010KP	4	31
SS7060610SP	22	31	SS8110520TP	26	21	WS1002560KR	44	13
SS7060610SP	28	58	SS8120410SP	12	6	WZ0850302K0	4	24
SS7060610SP	30	58	SS8151150SP	10	48	WZ0850302K0	50	8
SS7080520SP	28	59	SS8660330SP	36	6	WZ2640310KH	8	41
SS7080520SP	30	59	SS8660410SP	20	53			
SS7080520SP	34	21	SS8660610TP	12	9			
SS7090530SP	2	13	SS8660610TP	22	63			
SS7090540TP	20	58	SS8660610TP	24	63			
SS7090540TP	38	4	SS9090410TP	22	36			
SS7090540TP	50	18	SS9090610TP	22	43			
SS7090610SP	2	17	SS9090813TP	36	15			
SS7090611SL	4	27	SS9111610SP	36	23			
SS7090850SP	22	18	SS9151210TP	4	20			
SS7090910SP	38	8	SS9151210TP	8	34			
SS7110510SP	26	5	SS9151210TP	20	51			
SS7110510SP	34	22	SS9151210TP	22	54			
SS7110540SP	46	40	SS9151210TP	24	54			
SS7110740TL	32	43	SS9151210TP	26	34			
SS7110840SP	8	22	SS9681610TP	8	35			
SS7110840SP	22	11	TA0290301M0	40	4			
SS7110840SP	34	15	TA0400301M0	42	53			
SS7110840SP	50	17	TA0620504R0	32	40			
SS7110910TP	16	25	TA0800504R0	4	39			
SS7110910TP	32	46	TA0950806R0	38	14			
SS7111410SP	26	41	TA0951301R0	14	55			
SS7111410TP	8	33	TA1250406R0	4	38			
SS7111810SP	8	37	TA1450404R0	2	6			
SS7111810TP	8	32	TA1470702R0	4	40			
SS7111810TP	18	45	TA1701107R0	4	22			
SS7150910TP	50	19	TA2050805R0	4	19			
SS7161040SP	26	35	WP0250516SD	28	60			
SS8080310TP	12	47	WP0250516SD	30	60			
SS8080310TP	14	47	WP0370316SD	36	16			
SS8080310TP	34	20	WP0371026SD	18	29			
SS8080322TP	50	3	WP0371026SD	38	15			
SS8080410TP	8	13	WP0451026SH	18	44			