

MODEL : MS-1190/MS-1190M

List No : 0935-06

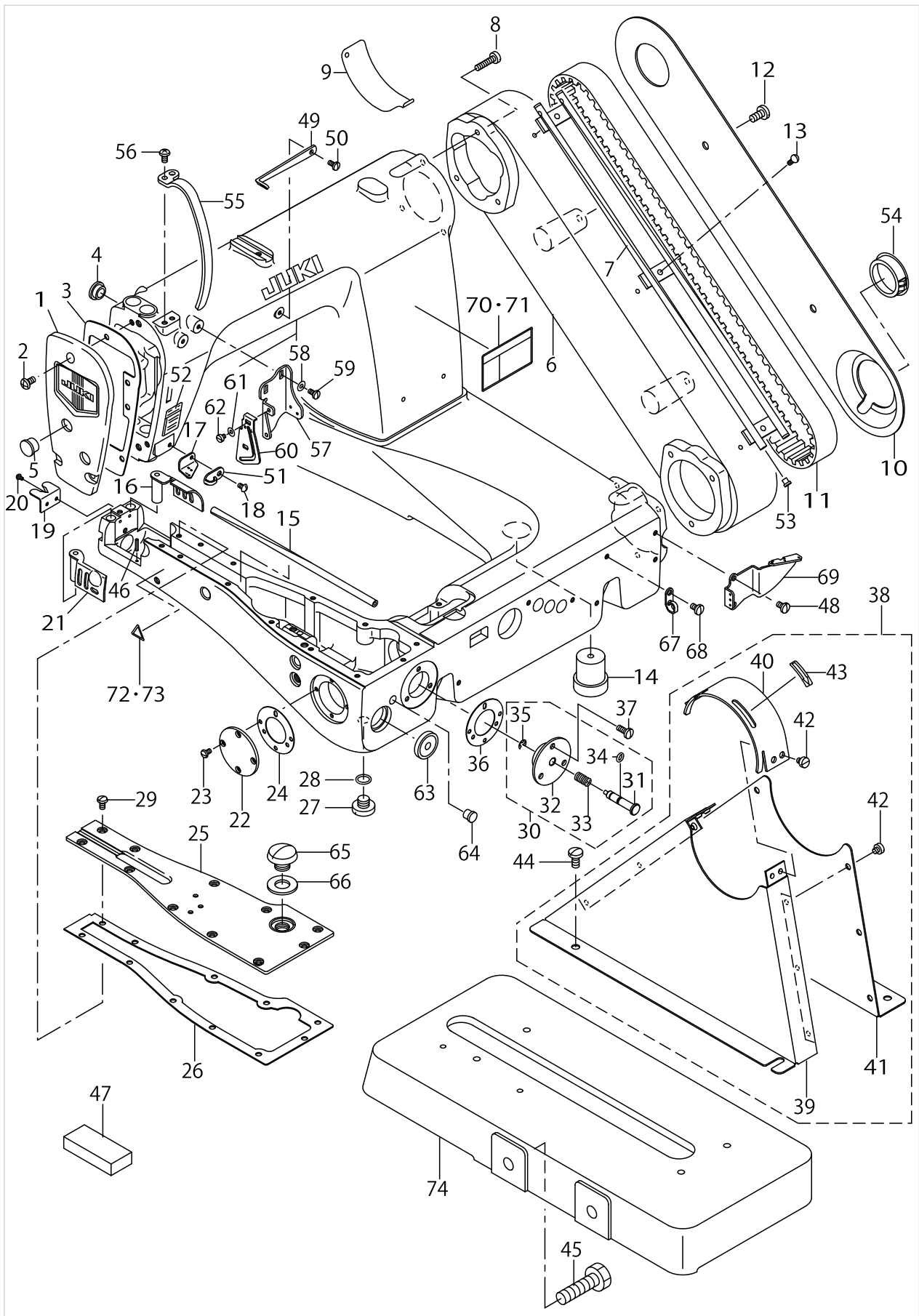
PARTS LIST

Published:09/10/2017

CONTENTS

FRAME & MISCELLANEOUS COVER COMPONENTS	1
LOOPER THREAD GUIDE COMPONENTS	5
NEEDLE BAR & MAIN SHAFT COMPONENTS	9
PRESSER BAR & LOWER SHAFT COMPONENTS	13
FEED MECHANISM COMPONENTS.....	17
KNEE LIFTER COMPONENTS.....	21
THREAD STAND COMPONENTS.....	23
OPTIONAL PARTS COMPONENTS (FOR MS-1190).....	25
TABLE OF EXCHANGING GAUGE (FOR MS-1190).....	27
TABLE OF EXCHANGING GAUGE (FOR MS-1190M).....	31
LIST FOR INFORMATION OF CHANGE.....	33
HOW TO MAKE USE OF THIS PARTS LIST	34

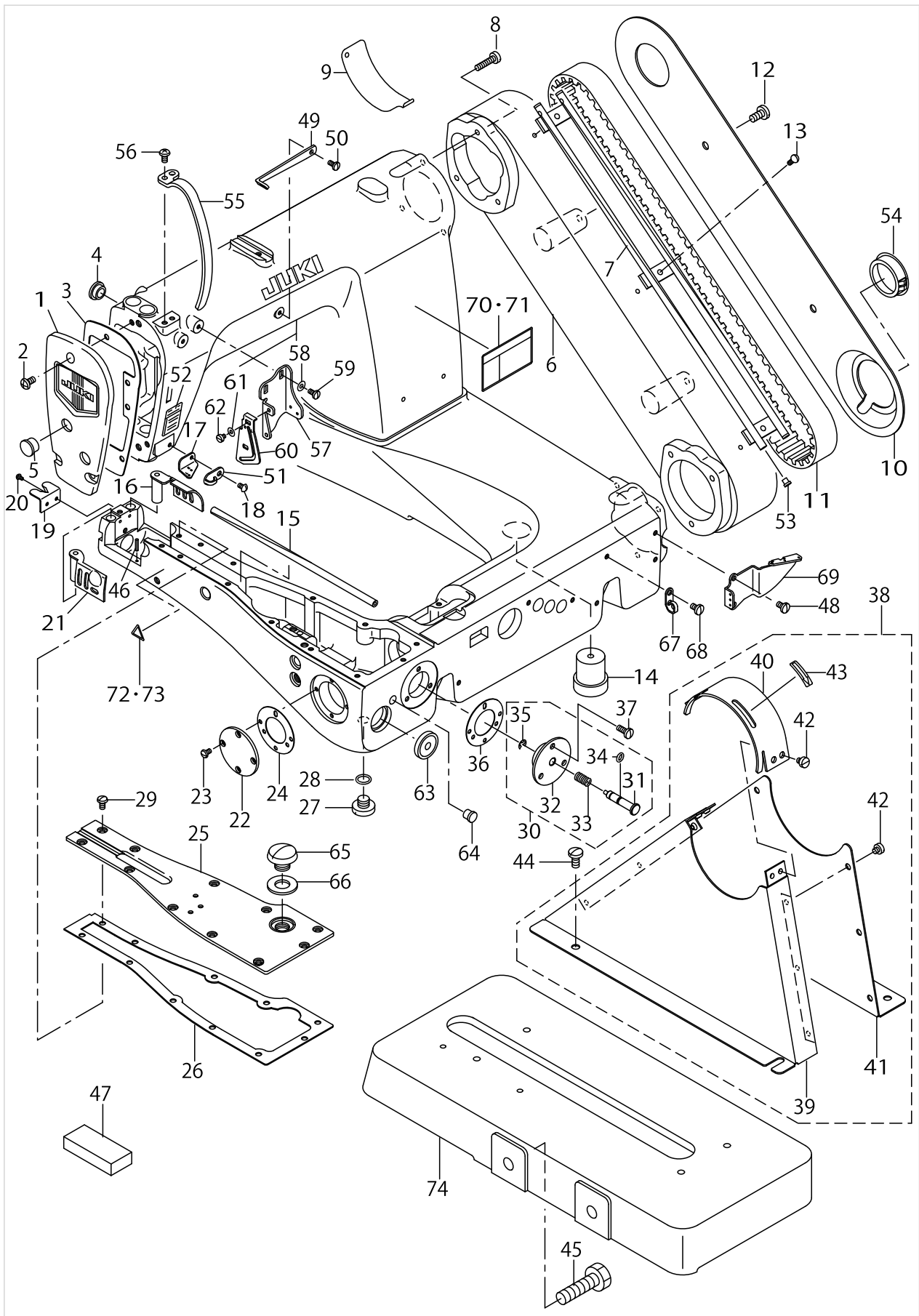
FRAME & MISCELLANEOUS COVER COMPONENTS



FRAME & MISCELLANEOUS COVER COMPONENTS

No.	Parts No.	Parts name	Remarks	Level	Cons	Qty
1	12920955	FACE PLATE ASM.				1
2	SS4120915SP	SCREW 3/16-28 L=9				3
3	12921003	FACE PLATE GASKET				1
4	TA1250406R0	RUBBER PLUG D=12.5 L=4				1
5	TA1250406R0	RUBBER PLUG D=12.5 L=4				2
6	12951000	SPROCKET WHEEL COVER				1
7	12939104	LOPPER THREAD TUBE A				1
8	SS6122030SP	SCREW 3/16-28 L=20				6
9	12921201	SPROCKET WHEEL AUXILIARY COVER	FOR EXCEPT V0			1
10	12921409	SPROCKET WHEEL COVER PLATE				1
11	B1219019000	TIMING BELT				1
12	SS7151210SP	SCREW 15/64-28 L=12				2
13	SS4090815SP	SCREW 9/64-40 L=8				3
14	B1156019000	RUBBER CUSHION, C				1
15	B1157019000	LOOPER THREAD TUBE (C)				1
16	B11600190AA	LOOPER COVER ASM.RIGHT				1
17	12925608	FRAME THREAD GUIDE,NEEDLE	FOR MS-1190			1
18	SS3090610SP	SCREW 9/64-40 L=6				1
19	12922704	CHAIN CUTTER BLADE				1
20	SS3060410SP	SCREW 3/32-56 L=4				2
21	B11620190AA	LOOPER COVER ASM.LEFT				1
22	B1805019000	FRONT BUSHING COVER				1
23	SS5090610SP	SCREW 9/64-40 L=6				4
24	B1806019000	GASKET				1
25	12922357	BED COVER ASM.				1
26	12922506	BED COVER GASKET				1
27	SS7740740SP	SCREW 3/8-28 L= 6.5				2
28	RO068190100	RUBBER RING				2
29	SS5110810SP	SCREW 11/64-40 L=8				11
30	12932158	PUSH BUTTON GUIDE ASM.				1
31	12932000	PUSH BUTTON STUD		*		1
32	12932109	PUSH BUTTON GUIDE		*		1
33	B1622541000	SPRING		*		1
34	RO040100210	O-RING		*		1
35	RE0400000K0	E-RING 4		*		1
36	B1806019000	GASKET				1
37	SS7111120SP	SCREW 11/64-40 L=10.5				3
38	B11041910AA	BELT COVER ASM.				1
39	B1104191A0A	BELT COVER		*		1
40	B1104191A0B	TOP COVER		*		1
41	B1104191A0C	BELT COVER PLATE		*		1
42	SS6110480SP	SCREW 11/64-40 L=4.3		*		10
43	CM500300001	DIRECTION LABEL		*		1
44	SS7151210SP	SCREW 15/64-28 L=12				4
45	SS9284043CP	SCREW 7/16-16 L=40				2
46	PS0200082KH	SPRING PIN				1
47	B3512191000	FELT				1

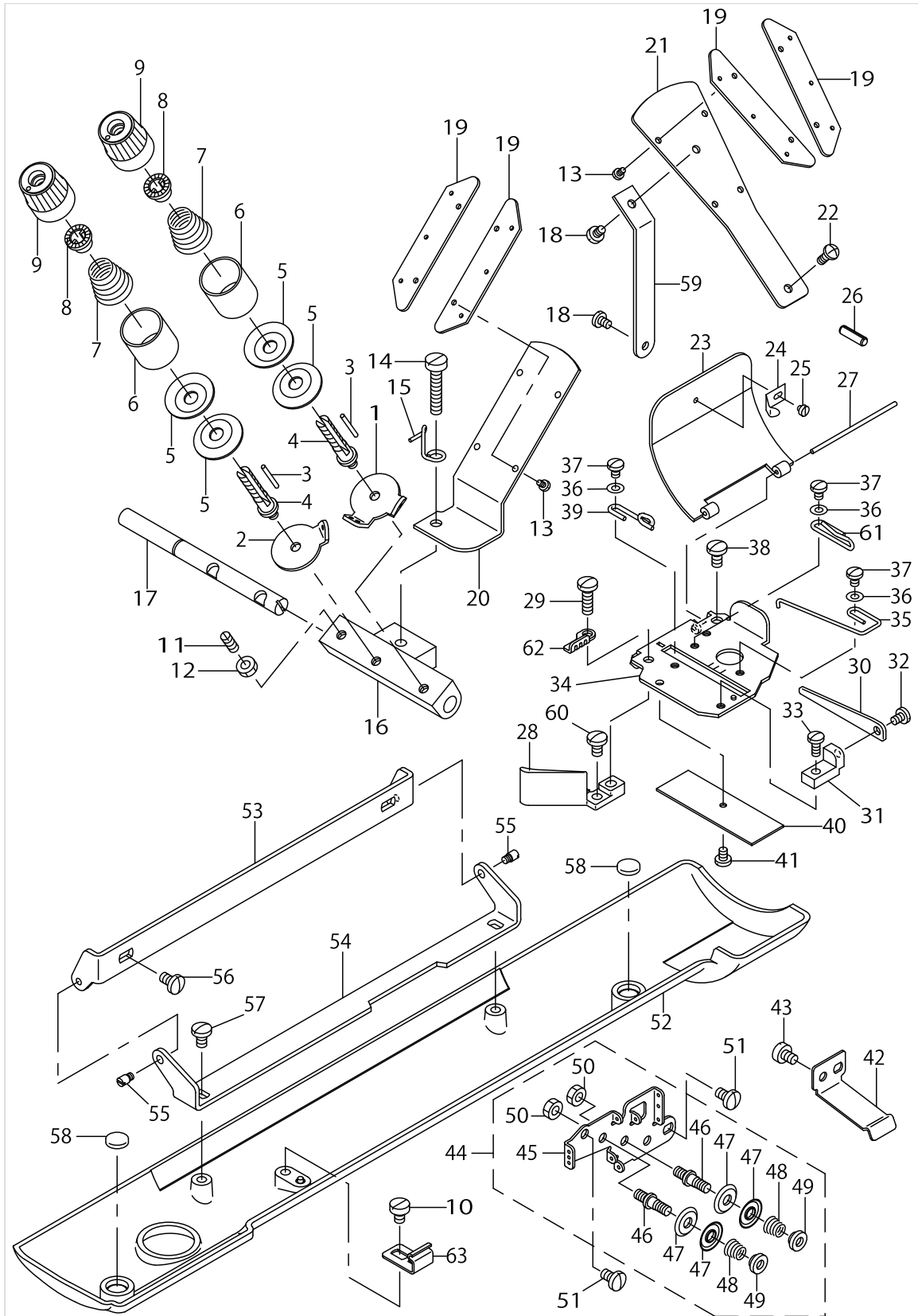
FRAME & MISCELLANEOUS COVER COMPONENTS



FRAME & MISCELLANEOUS COVER COMPONENTS

No.	Parts No.	Parts name	Remarks	Level	Cons	Qty
48	SS7110710SP	SCREW 11/64-40 L=7				2
49	B1165026000	TENSION RELEASE LEVER	FOR MS-1190M			1
50	SS7090710SP	SCREW 9/64-40 L= 6.8	FOR MS-1190M			1
51	B1130051000	FRAME THREAD GUIDE, MIDDLE	FOR MS-1190M			1
52	12920807	NEEDLE DISPLAY SHEEL				1
53	B1124804000	THREAD GUIDE, SMALL				4
54	12921607	RUBBER PLUG				1
55	12923207	TENSION COVER				1
56	SS4110815SP	SCREW 11/64-40 L=8				2
57	12934303	BRACKET	FOR MS-1190			1
58	WP0371016SD	WASHER 3.7X8X1	FOR MS-1190			2
59	SS7090710SP	SCREW 9/64-40 L= 6.8	FOR MS-1190			2
60	12934402	THREAD TAKE UP GUIDE	FOR MS-1190			1
61	WP0320501SE	WASHER 3,2X7,0X0,5	FOR MS-1190			2
62	SS6080410SP	SCREW 1/8-44 L=4	FOR MS-1190			2
63	10704203	OIL POT WINDOW				1
64	TA0850604R0	RUBBER PLUG				1
65	SS5820540SP	SCREW 1/2-28 L=5.0				1
66	B1140019000	GASKET				1
67	22920607	ARM THREAD GUIDE B				1
68	SS7110710SP	SCREW 11/64-40 L=7				1
69	12940102	LOOPER THREAD GUIDE PLATE				1
70	CM300200101	SAFETY LABEL, 1(SMALL).	FOR USE IN JAPAN			1
71	CM3002001A1	SAFETY LABEL.,3 (SMALL).	FOR EXCEPT JE AND USE IN JAPAN			1
72	CM300200001	ATTENTION SEAL	FOR JE			1
73	CM3002000C1	CAUTION LABEL	FOR USE IN JAPAN			1
74	12943700	BELT GUARD INSTALLING BASE				1
75	WP0370316SD	WASHER 3.7X8X0.3				3

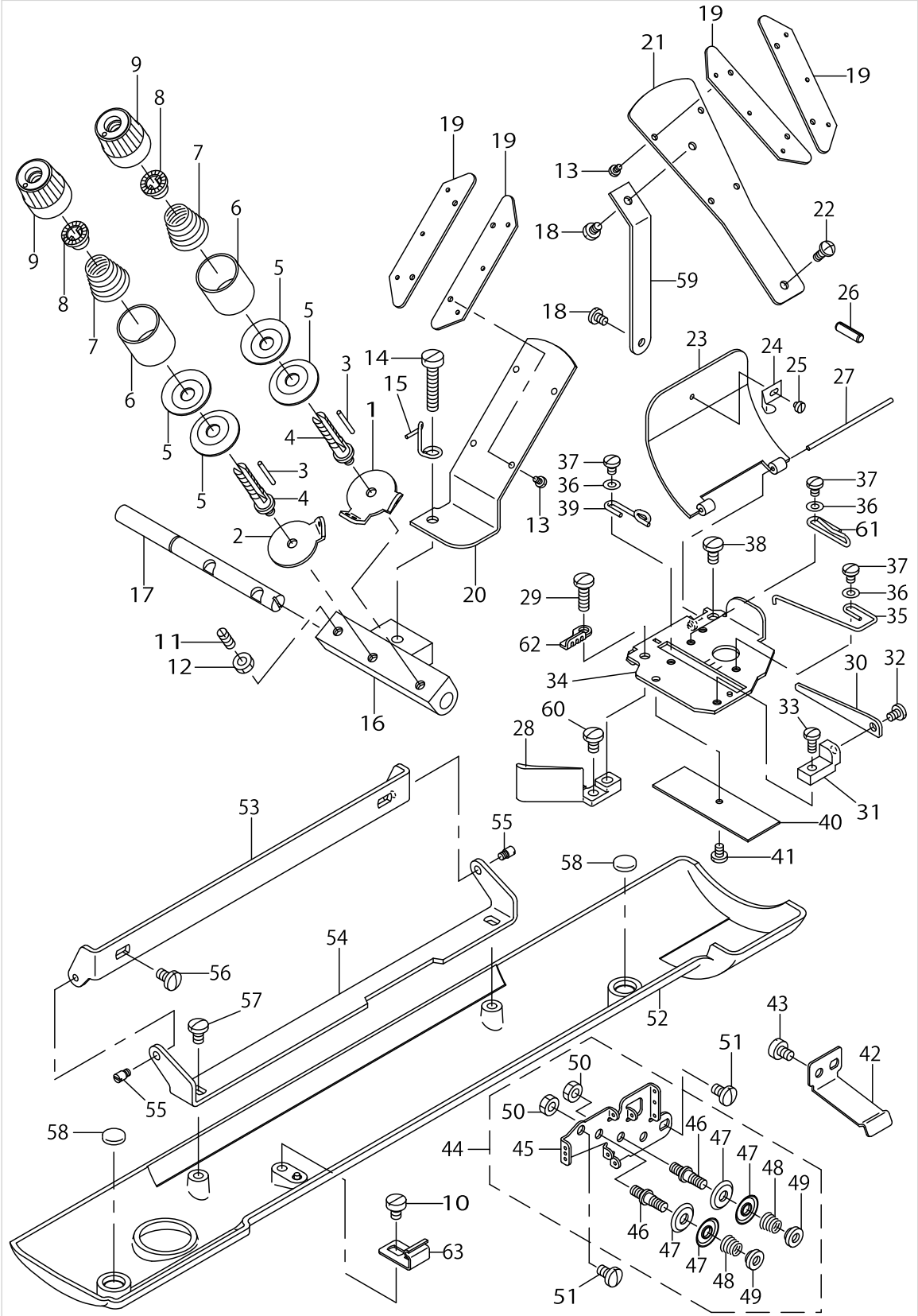
LOOPER THREAD GUIDE COMPONENTS



LOOPER THREAD GUIDE COMPONENTS

No.	Parts No.	Parts name	Remarks	Level	Cons	Qty
1	12938007	TENSION THREAD GUIDE A				1
2	12938106	TENSION THREAD GUIDE B				1
3	B2310019000	TENSION RELEASING PIN				2
4	12938205	TENSION POST				2
5	B3126012000	THREAD TENSION DISK				4
6	11957305	TENSION DISC PRESSER				2
7	12938304	TENSION SPRING				2
8	B3112704000	TENSION SPRING BUSHING				2
9	11956703	THREAD TENSION KNOB, RED				2
10	SS6110610TP	SCREW 11/64-40 L=6				1
11	SS8111160SP	SCREW 11/64-40 L=11.0				1
12	NS6110310SP	NUT 11/64-40				1
13	SS5060410SP	SCREW 3/32-56 L=3.5				8
14	SS6122510SP	SCREW 3/16-28 L=25				1
15	12939302	THREAD EYELET				1
16	12937801	TENSION STUD BUSHING				1
17	12937900	TENSION RELEASE SHAFT				1
18	SS7090520SP	SCREW 9/64-40 L= 4.5				2
19	B2402019000	THREAD GUIDE				4
20	12939203	THREAD GUIDE MOUNTING BRACKET				1
21	12938908	THREAD GUIDE BRACKET				1
22	SS4090815SP	SCREW 9/64-40 L=8				1
23	12936803	LOOPER THREAD TAKE-UP COVER				1
24	B2208019000	LOOPER THREAD TAKE-UP COVER SP				1
25	SS6060220SP	SCREW 3/32-56 L= 2.0				1
26	PS0500202KP	SPRING PIN 5X20				1
27	12936902	LOOPER THREAD TAKE-UP PIN				1
28	12936506	STRIPPER PLATE BRACKET				1
29	SS7111410SP	SCREW 11/64-40 L=14				1
30	12935706	CAM HOLDER				1
31	12935607	CAM HOLDER BRACKET				1
32	SS7090530SP	SCREW 9/64-40 L= 4.5				1
33	SS7090850SP	SCREW 9/64-40 L=8				1
34	12935516	TENSION TAKE-UP STRIPPER PLATE				1
35	12935904	LOOPER THREAD GUIDE				1
36	WP0371016SD	WASHER 3.7X8X1				3
37	SS7090530SP	SCREW 9/64-40 L= 4.5				3
38	SS7110840SP	SCREW 11/64-40 L=7.8				1
39	12936100	LOOPER THREAD GUIDE A				1
40	12936217	FELT				1
41	SS5090420SP	SCREW 9/64-40 L=3.5				1
42	12922803	COVER SPRING				1
43	SS6110610TP	SCREW 11/64-40 L=6				2
44	12939559	TENSION POST ASM.				1
45	12939500	TENSION BASE PLATE		*		1
46	12939609	TENSION POST		*		2
47	12939708	TENSION DISC		*		4

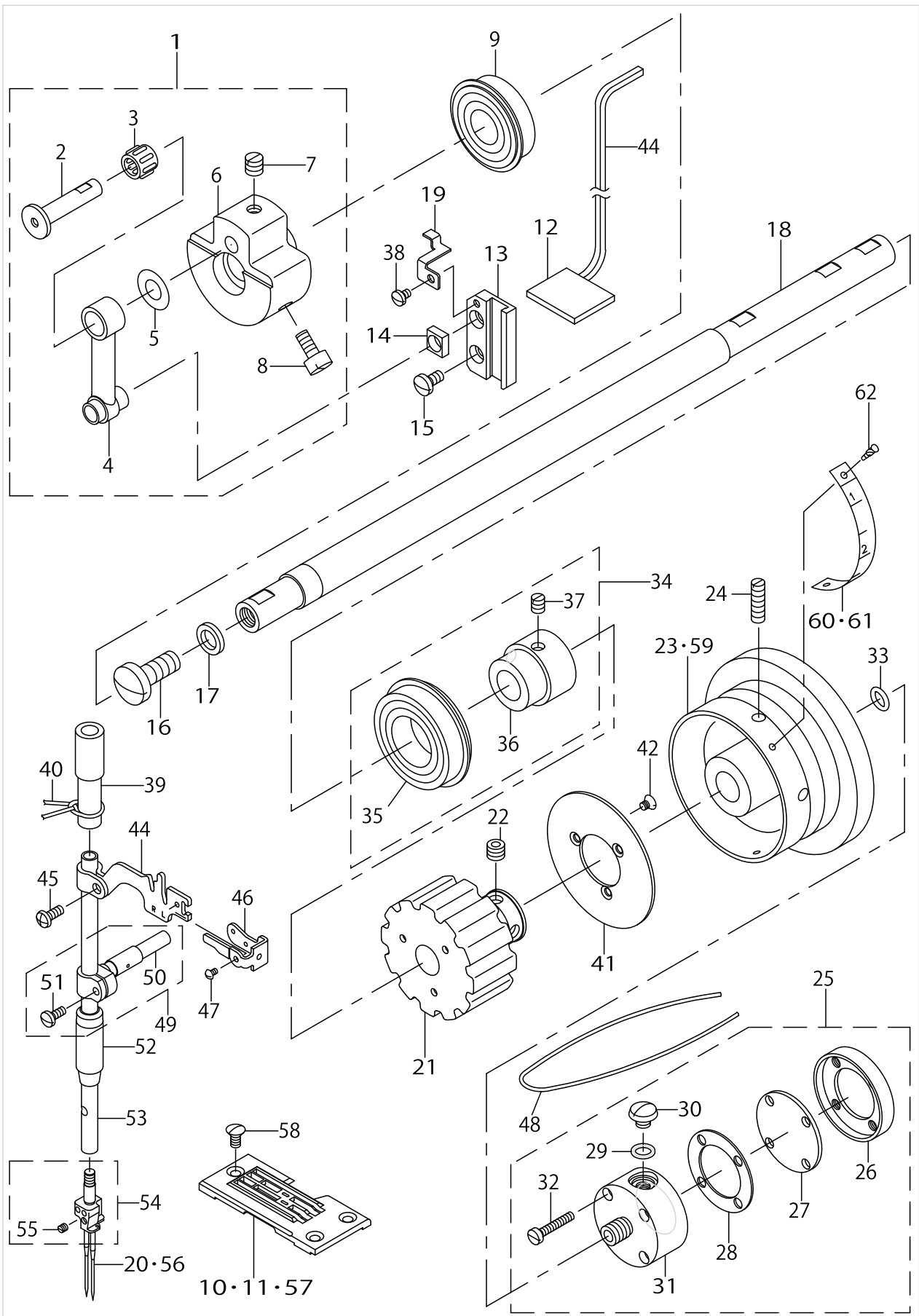
LOOPER THREAD GUIDE COMPONENTS



LOOPER THREAD GUIDE COMPONENTS

No.	Parts No.	Parts name	Remarks	Level	Cons	Qty
48	12939807	TENSION SPRING		*		2
49	12939906	TENSION NUT		*		2
50	NS6110350SP	NUT 11/64-40		*		2
51	SS7110710SP	SCREW 11/64-40 L=7				2
52	12921805	LOOPER THREAD TUBE COVER				1
53	12921904	LOOPER THREAD TUBE COVER HING				1
54	12922001	LOOPER THREAD TUBE COVER HING				1
55	B1534816000	HINGE SCREW				2
56	SS7110840SP	SCREW 11/64-40 L=7.8				2
57	SS7110840SP	SCREW 11/64-40 L=7.8				2
58	40038331	VIBRATION-PROOF RUBBER				2
59	12939005	THREAD GUIDE BRACKET SUPPORT				1
60	SS7110710SP	SCREW 11/64-40 L=7				1
61	12936001	LOOPER THREAD GUIDE				1
62	12935805	LOOPER THREAD GUIDE				1
63	12922100	COVER HOOK				1

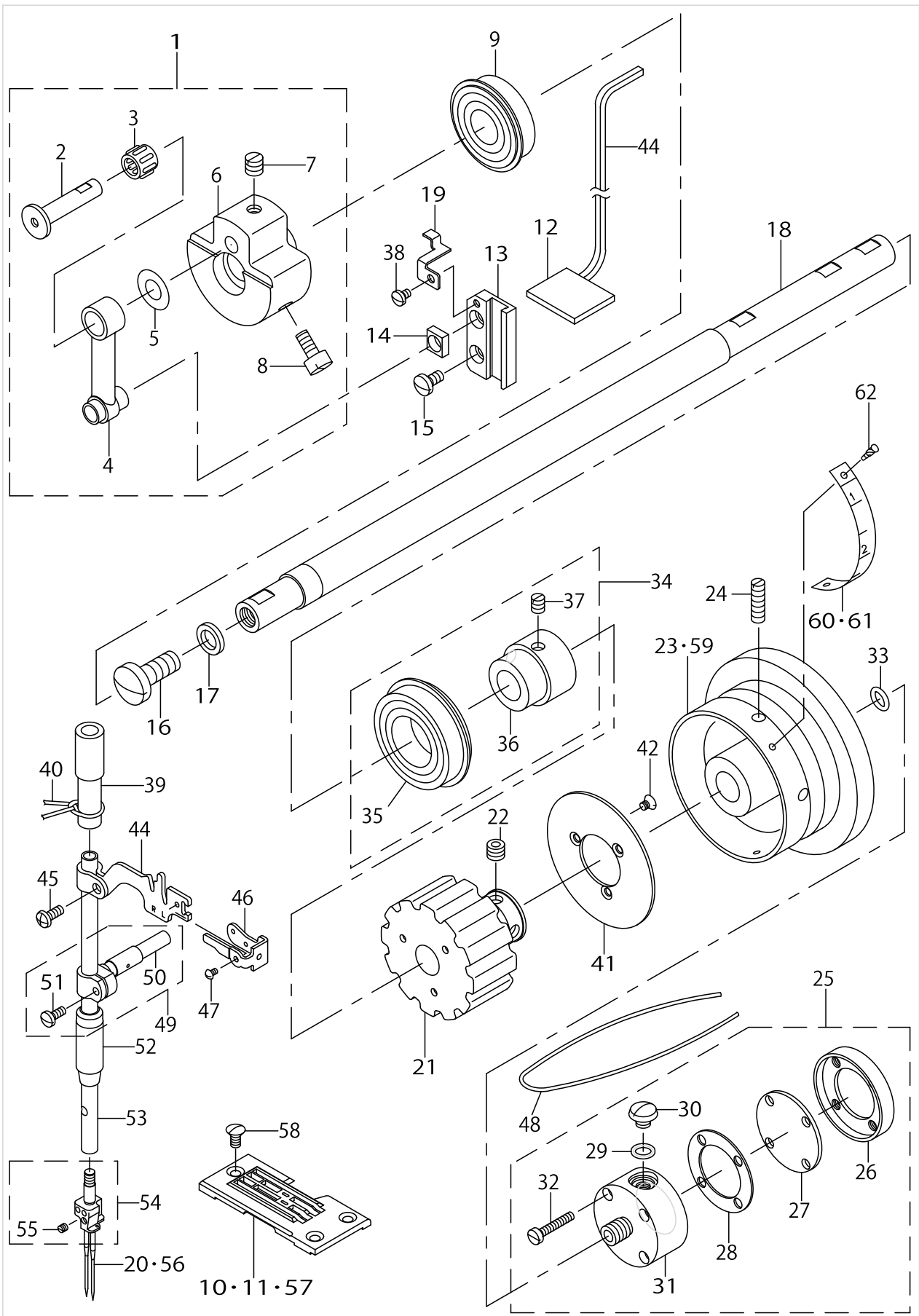
NEEDLE BAR & MAIN SHAFT COMPONENTS



NEEDLE BAR & MAIN SHAFT COMPONENTS

No.	Parts No.	Parts name	Remarks	Level	Cons	Qty
1	B1207191AB0	COUNTERWEIGHT ASM.				1
2	B12090190A0	NEEDLE BAR CRANK PIN ASM.		*		1
3	B1236125BA0	NEEDLE BUSHING ASM.	SELECTIVE PARTS	*		1
4	B1408038000	NEEDLE BAR CRANK ROD, B		*		1
5	B1208019000	WASHER		*		1
6	B1207191A00	COUNTERWEIGHT		*		1
7	SS8660610TP	SCREW 1/4-40 L=6		*		2
8	SS6151220SP	SCREW 15/64-28 L=11.5		*		2
9	B1202512000	MAIN SHAFT BUSHING, FRONT				1
10	12923306	THROAT PLATE 1/8	OPTION (FOR MS-1190)			1
11	12980900	THROAT PLATE 1/8	OPTION (FOR MS-1190M)			1
12	B3510019000	OIL FELT				1
13	B1412038000	SLIDE BLOCK GUIDE				1
14	B1411019000	SLIDE BLOCK GUIDE				1
15	SS7120910SP	SCREW 3/16-28 L=9				2
16	SS7740740SP	SCREW 3/8-28 L= 6.5				1
17	B1222019000	PACKING				1
18	12924502	MAIN SHAFT				1
19	12943106	OIL WICK PRESSER				1
20	MC263000800	NEEDLE B-64 80	SELECTIVE PARTS			2
21	12924916	SPROCKET WHEEL A				1
22	SS8660522TP	SCREW 1/4-40 L=4.5				2
23	12925202	HAND WHEEL	FOR MS-1190			1
24	SS8152030SP	SCREW 15/64-28 L=20				2
25	40026875	OIL CUP BODY ASM.				1
26	B3504019000	OIL CUP BODY CAP RETAINER		*		1
27	B3502019000	OIL CUP BODY CAP		*		1
28	B3503019000	OIL CUP BODY CAP GASKET		*		1
29	RO069180100	RUBBER RING		*		1
30	SS5660440SP	SCREW 1/4-40 L= 4.0		*		1
31	40026874	OIL CUP BODY		*		1
32	SS6092120SP	SCREW 9/64-40 L=21.2		*		4
33	RO098240100	RUBBER RING				1
34	12924767	BUSHING REAR ASM.				1
35	B1203512000	BUSHING, REAR		*		1
36	12924718	BUSHING		*		1
37	SS8150710SP	SCREW 15/64-28 L=7		*		2
38	SS7090530SP	SCREW 9/64-40 L= 4.5				1
39	B1402019000	NEEDLE BAR BUSHING, UPPER				1
40	CQ303000000	OIL WICK				0.23
41	12925004	PULLEY PLATE				1
42	SS1090510SP	SCREW 9/64-40 L=5				3
43	B3541012000	OIL WICK				1
44	12934014	TAKE UP TENSION				1
45	SM5041055SN	SCREW M4X10				1
46	12934105	TAKE UP THREAD EYELET				1
47	SS3060410SP	SCREW 3/32-56 L=4				1

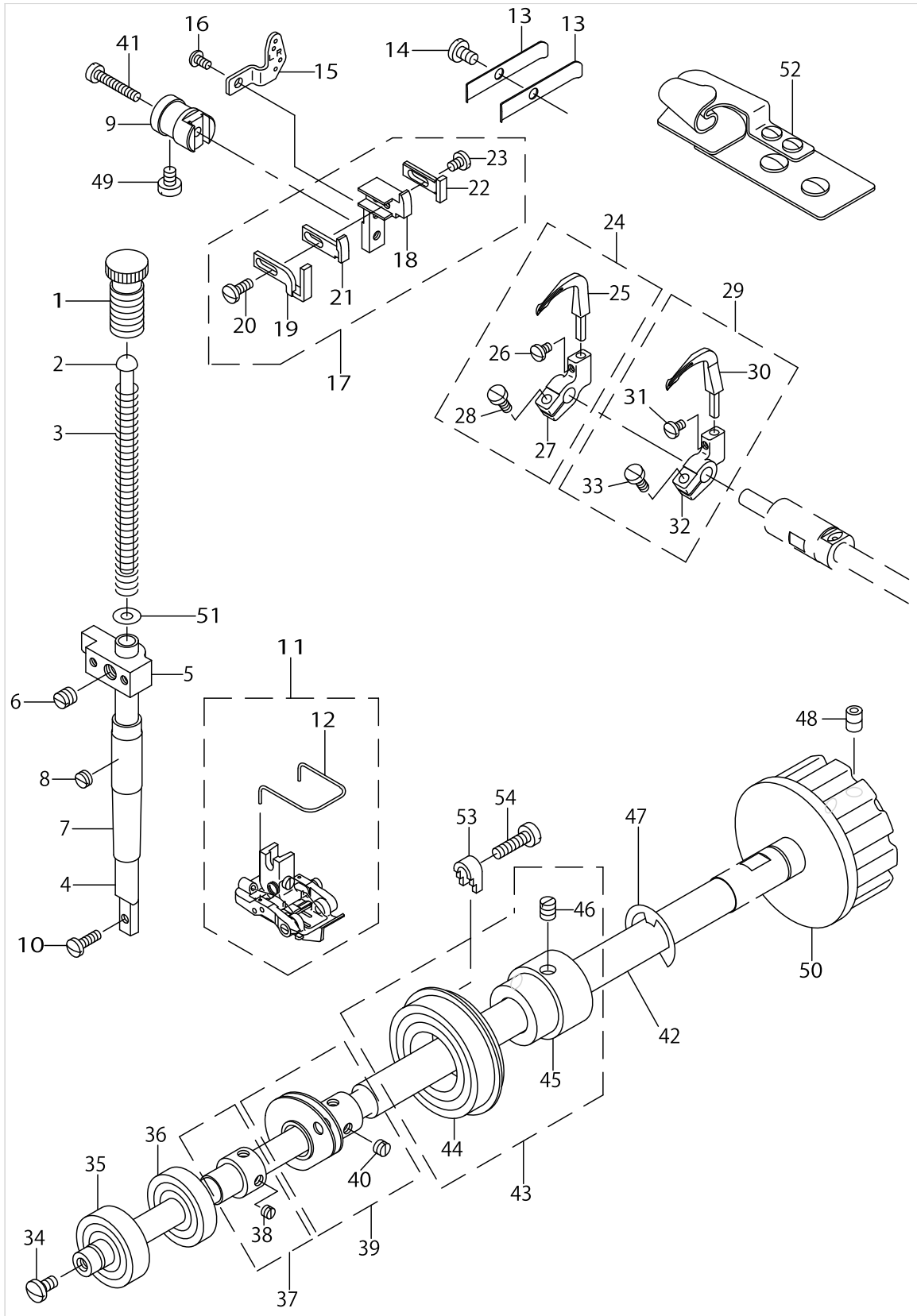
NEEDLE BAR & MAIN SHAFT COMPONENTS



NEEDLE BAR & MAIN SHAFT COMPONENTS

No.	Parts No.	Parts name	Remarks	Level	Cons	Qty
48	CQ252000000	OIL WICK				1
49	B14090190B0	NEEDLE BAR CLAMP ASM.				1
50	B1418019000	FELT		*		1
51	SS7090910SP	SCREW 9/64-40 L= 8.5		*		1
52	B1404026000	NEEDLE BAR BUSHING, LOWER				1
53	B1401019000	NEEDLE BAR				1
54	12925954	NEEDLE CLAMP 3/16 ASM.	REFER TO THE TABLE OF EXCHANGINGPARTS ON P.15			1
55	SS8080310TP	SCREW 1/8-44 L=2.8		*		2
56	MTV640N1200	NEEDLE TVX64-NY#12	SELECTIVE PARTS			2
57	12923405	THROAT PLATE(3/16)	REFER TO THE TABLE OF EXCHANGINGPARTS ON P.15			1
58	SS2110920TP	SCREW 11/64-40 L=8.5				3
59	12981502	HAND WHEEL	FOR MS-1190M			1
60	12925301	SCALE PLATE	FOR MS-1190			1
61	12981601	SCALE PLATE	FOR MS-1190M			1
62	B1161227000	RIVET				2

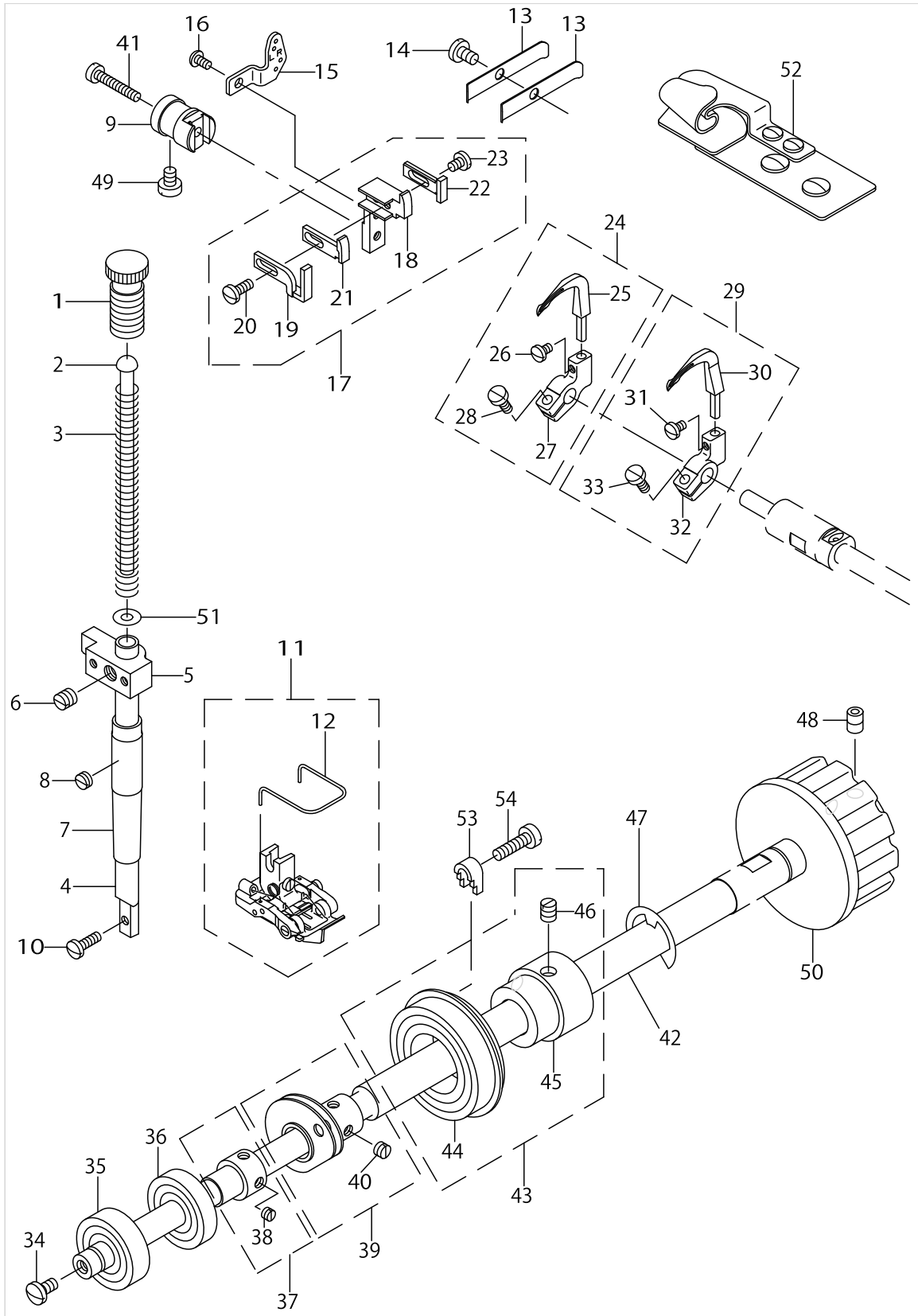
PRESSER BAR & LOWER SHAFT COMPONENTS



PRESSER BAR & LOWER SHAFT COMPONENTS

No.	Parts No.	Parts name	Remarks	Level	Cons	Qty
1	B1509191000	PRESSER SPRING REGULATOR				1
2	B1510191000	PRESSER GUIDE BAR				1
3	B1505191000	PRESSER SPRING				1
4	B1501191000A	PRESSER BAR				1
5	22907208	PRESSER BAR GUIDE BRACKET				1
6	SS8660610TP	SCREW 1/4-40 L=6				1
7	22907109	PRESSER BAR BUSHING, LOWER				1
8	SS8150310SP	SCREW 15/64-28 L= 3.4				1
9	12942801	NEEDLE GUARD HOLDER				1
10	SS7091110TP	SCREW 9/64-40 L=10.5				1
11	12927760	PRESSER FOOT ASM. 3/16	REFER TO THE TABLE OF EXCHANGING ON P.15			1
12	12929600	NEEDLE GUARD		*		1
13	B1166019000	LOOPER COVER SPRING				1
14	SS7110710SP	SCREW 11/64-40 L=7				1
15	12942900	LOOPER THREAD EYELET				1
16	SS6090510SP	SCREW 9/64-40 L=5				1
17	12942355	NEEDLE GUARD ASM.				1
18	12942306	REAR NEEDLE HOLDER,R		*		1
19	12942603	FRONT NEEDLE HOLDER,L		*		1
20	SS7090910SP	SCREW 9/64-40 L= 8.5		*		1
21	12942504	REAR NEEDLE HOLDER,L		*		1
22	12942405	NEEDLE GUARD, RIGHT		*		1
23	SS7090520SP	SCREW 9/64-40 L= 4.5		*		1
24	12940557	LOOPER,R 3/16 ASM.	REFER TO THE TABLE OF EXCHANGING ON P.15			1
25	12940508	LOOPER,R 3/16	REFER TO THE TABLE OF EXCHANGING ON P.15	*		1
26	SS4080620TP	SCREW 1/8-44 L=6		*		1
27	12941100	LOOPER HOLDER,1		*		1
28	SS6090910TP	SCREW 9/64-40 L=9		*		1
29	12941456	LOOPER,L3/16 ASM.	REFER TO THE TABLE OF EXCHANGING ON P.15			1
30	12941407	LOOPER,L 3/16	REFER TO THE TABLE OF EXCHANGING ON P.15	*		1
31	SS4080620TP	SCREW 1/8-44 L=6		*		1
32	12942009	LOOPER HOLDER,2		*		1
33	SS6090910TP	SCREW 9/64-40 L=9		*		1
34	SS7110830SP	SCREW 11/64-40 L= 7.5				1
35	B1802019000	BALL BEARING, FRONT				1
36	B1803019000	BALL BEARING, INTERMEDIATE				1
37	B18080190A0	SLEEVE ASM.				1
38	SS8110310SP	SCREW 11/64-40 L= 2.8		*		2
39	12937256	LOOPER THREAD CAM ASM.				1
40	SS8110310SP	SCREW 11/64-40 L= 2.8		*		2
41	SS6091210TP	SCREW 9/64-40 L=12				1
42	12933610	HOOK DRIVING SHAFT				1
43	12924767	BUSHING REAR ASM.				1
44	B1203512000	BUSHING, REAR		*		1
45	12924718	BUSHING		*		1

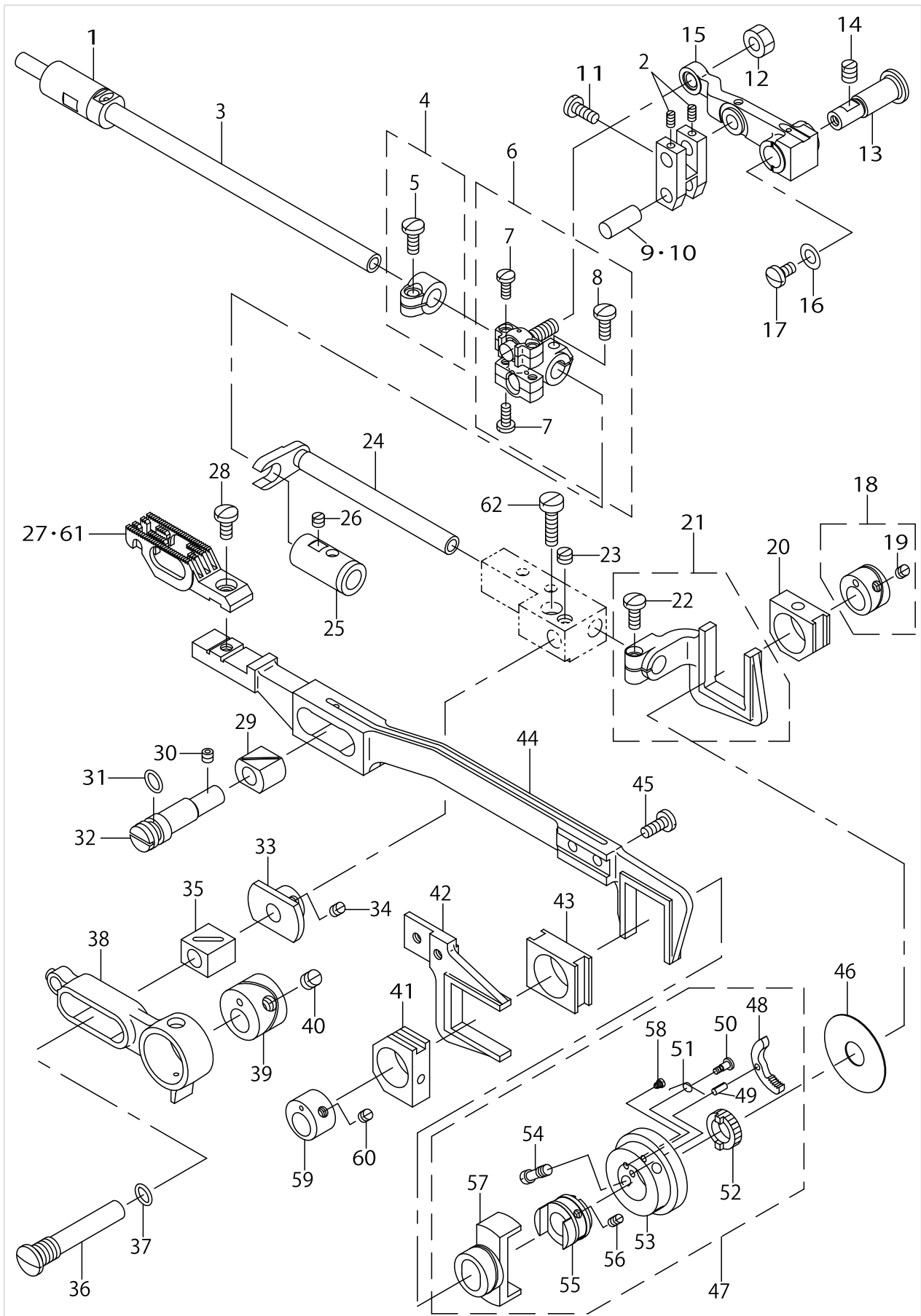
PRESSER BAR & LOWER SHAFT COMPONENTS



PRESSER BAR & LOWER SHAFT COMPONENTS

No.	Parts No.	Parts name	Remarks	Level	Cons	Qty
46	SS8150710SP	SCREW 15/64-28 L=7		*		2
47	RE1200000K0	E-RING 12				1
48	SS8150822TP	SCREW 15/64-28 L=8				2
49	SS6110610TP	SCREW 11/64-40 L=6				1
50	12933719	SPROCKET WHEEL B				1
51	WP0550800SP	WASHER 5.5X10X0.8				1
52	MAM2950CCAA	HOLDER 3/16A	REFER TO THE TABLE OF EXCHANGING ON P.15			1
53	12924809	METAL PRESSER				3
54	SS6111610SP	SCREW 11/64-40 L=16				3

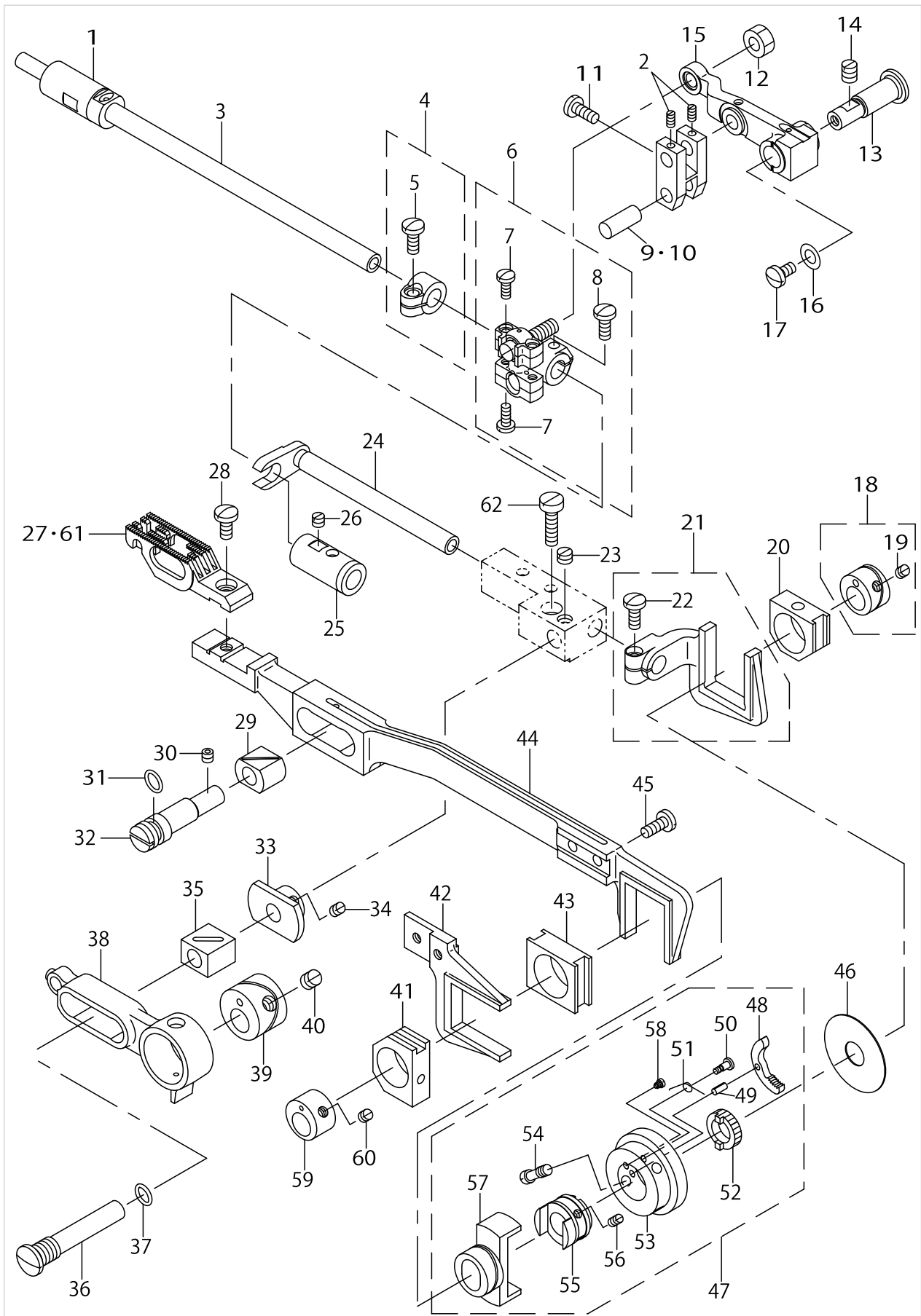
FEED MECHANISM COMPONENTS



FEED MECHANISM COMPONENTS

No.	Parts No.	Parts name	Remarks	Level	Cons	Qty
1	B2502019000	BUSHING, FRONT				1
2	SS8080660TP	SCREW 1/8-44 L=5.5				2
3	B2501019000	LOOPER ROCKER SHAFT				1
4	B25050190A0	CONNECTION CRANK ASM.				1
5	SS7111110TP	SCREW 11/64-40 L=10.5		*		1
6	B21090190A0	FEED ROCKER CONNECTING ROD ASM				1
7	SS7090920SP	SCREW 9/64-40 L= 8.5		*		4
8	SS7111110TP	SCREW 11/64-40 L=10.5		*		1
9	B211619100A	FEED CONNECTING LINK PIN	SELECTIVE PARTS			2
10	B211619100B	FEED CONNECTING LINK PIN	SELECTIVE PARTS			2
11	SS7080510TP	SCREW 1/8-44 L=4.5				2
12	NS6150310SP	NUT 15/64-28				1
13	B2107019000	FEED ROCKER SHAFT				1
14	SS8150710SP	SCREW 15/64-28 L=7				1
15	12935011	FEED ROCKER				1
16	B2122019000	WASHER				1
17	SS7110830SP	SCREW 11/64-40 L= 7.5				1
18	B20060190A0	LOOPER AVOIDING ECCENTRIC CAM				1
19	SS8110410TP	SCREW 11/64-40 L= 3.5		*		2
20	B1635191000	SLIDE BLOCK				1
21	B20041910A0	LOOPER AVOIDING SHAFT ASM.				1
22	SS7111110TP	SCREW 11/64-40 L=10.5		*		1
23	SS8150410SP	SCREW 15/64-28 L=4				1
24	B2001019000	LOOPER AVOIDING SHAFT				1
25	B2503019000	LOOPER ROCKER SHAFT BUSHING, R				1
26	SS8120410SP	SCREW 3/16-28 L=3.8				1
27	12932307	FEED DOG	REFER TO THE TABLE OF EXCHANGING PARTS ON P.15			1
28	SS7621040SP	SCREW 3/16-32 L= 9.5				1
29	B1610019000	SLIDE BLOCK				1
30	SS8110422TP	SCREW 11/64-40 L=4				1
31	RO061180100	RUBBER RING				1
32	B1608019000A	FEED BAR ECCENTRIC HINGE PIN				1
33	B2108019000	FEED ROCKER SLIDE BLOCK STOPPE				1
34	SS8110510SP	SCREW 11/64-40 L=5				2
35	B2105019000	FEED ROCKER SLIDE BLOCK				1
36	B2106019000	FEED ROCKER SLIDE BLOCK PIN				1
37	RO095200100	RUBBER RING				1
38	B2101191000A	LOOPER AVOID LEVER				1
39	12935102	FEED ROCKER ECCENTRIC				1
40	SS8660610TP	SCREW 1/4-40 L=6				2
41	B1635191000	SLIDE BLOCK				1
42	B1602019000	FEED LIFTING FORKED CONNECTION				1
43	B1606191000	FEED ECCENTRIC SLIDE BLOCK				1
44	B1601019000	FEED BAR				1
45	SS7111110TP	SCREW 11/64-40 L=10.5				2
46	12931903	BODY CAP				1

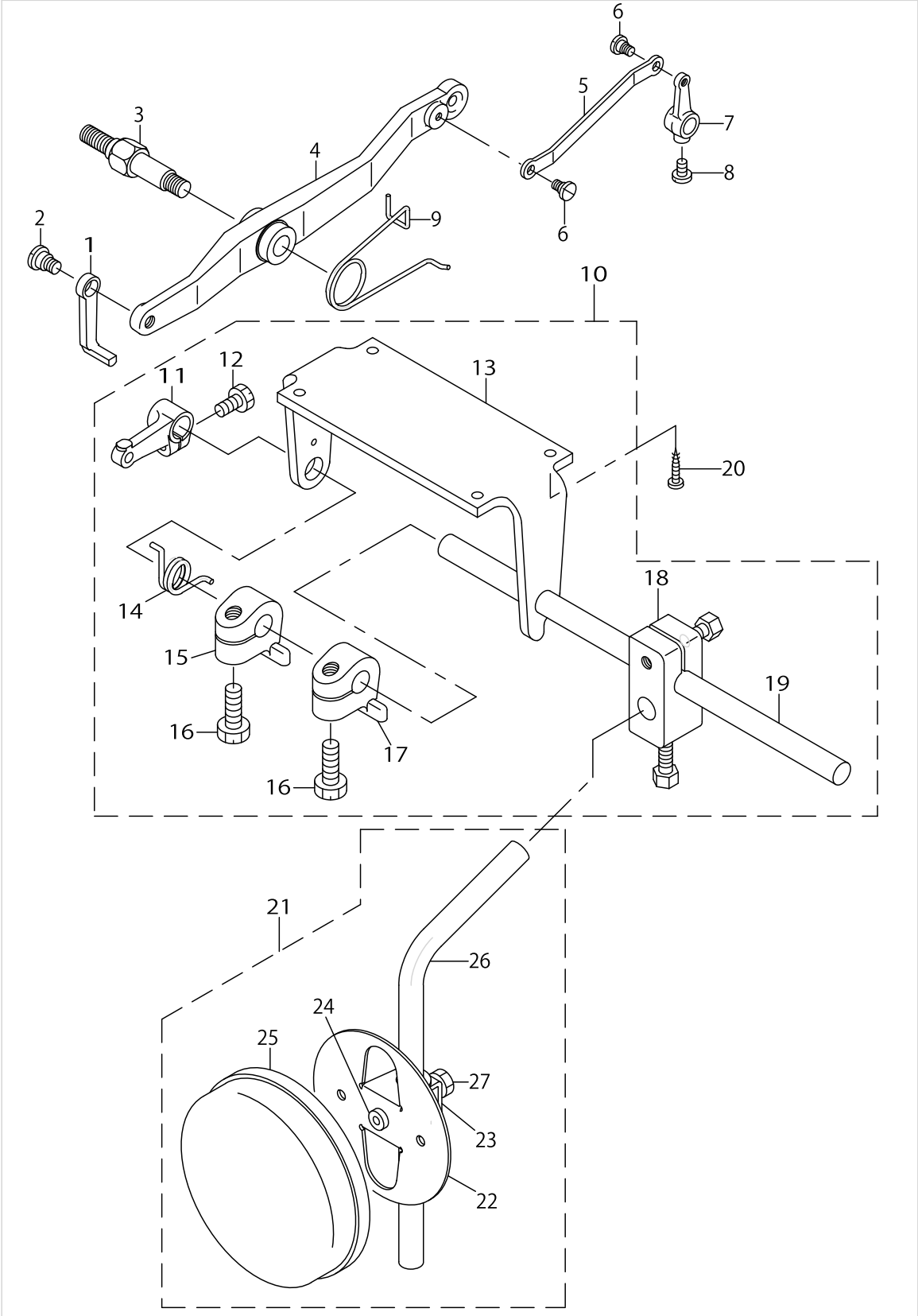
FEED MECHANISM COMPONENTS



FEED MECHANISM COMPONENTS

No.	Parts No.	Parts name	Remarks	Level	Cons	Qty
47	12931465	FEED ECCENTRIC BASE ASM.				1
48	B1624191000	RATCHET PAWL		*		1
49	PS0250081K0	SPRING PIN 2.5X8		*		1
50	B1626191000	SCREW		*		1
51	B1625191000	RATCHET PAWL SPRING		*		1
52	B1623191000	RATCHET GEAR		*		1
53	12931408	FEED ECCENTRIC		*		1
54	12931606	SCREW		*		1
55	12931507	FEED ECCENTRIC BODY		*		1
56	SS8110410TP	SCREW 11/64-40 L= 3.5		*		2
57	B1621261000A	FEED ECCENTRIC GUIDE		*		1
58	12931705	SCREW		*		1
59	12931002	VERTICAL FEED CAM				1
60	SS8110410TP	SCREW 11/64-40 L= 3.5				2
61	12932208	FEED DOG 1/8	OPTION			1
62	SS6121840SP	SCREW 3/16-28 L=18				1

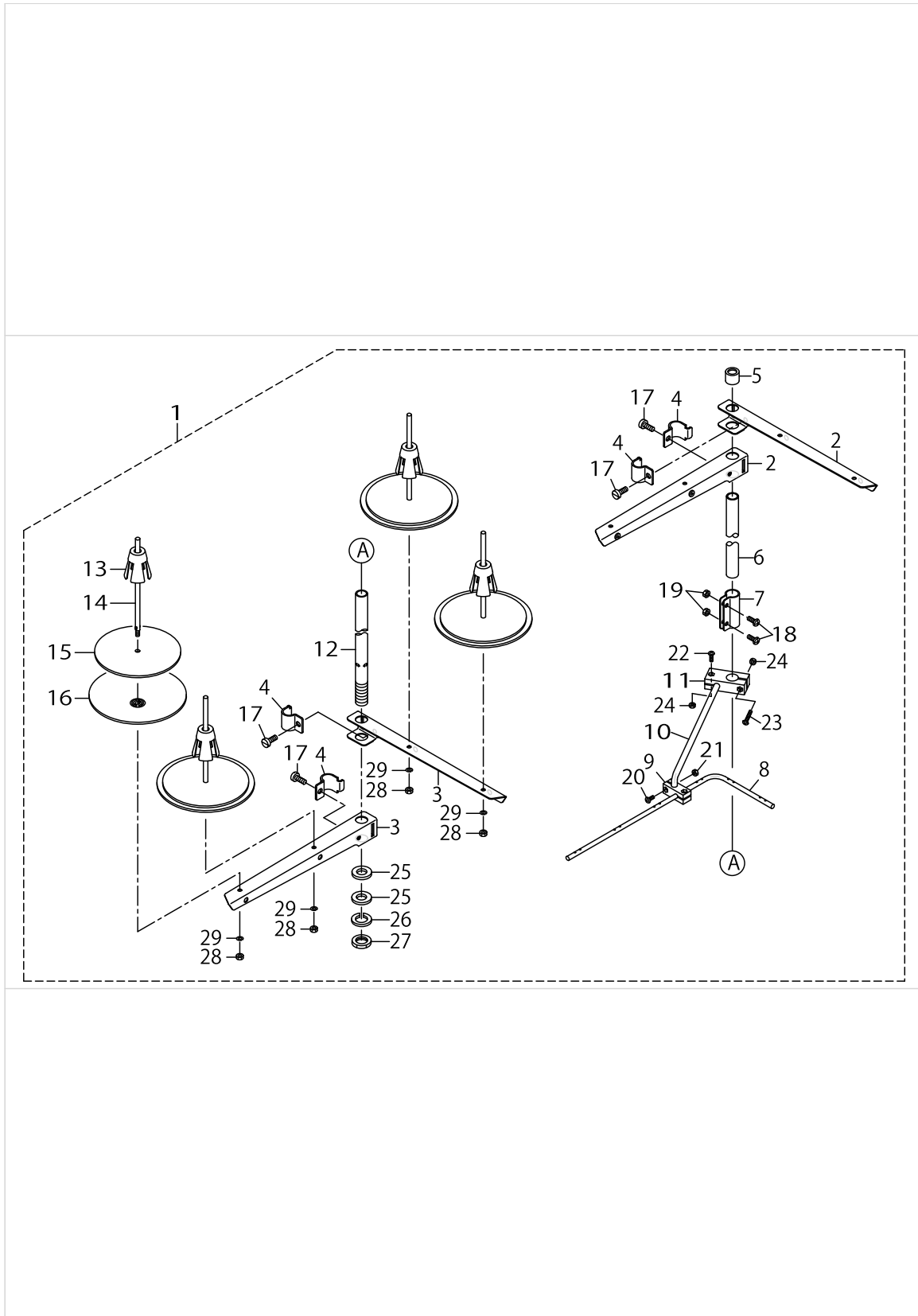
KNEE LIFTER COMPONENTS



KNEE LIFTER COMPONENTS

No.	Parts No.	Parts name	Remarks	Level	Cons	Qty
1	B2322019000	PRESSER BAR LIFTING BRACKET LI				1
2	SD0790431SP	HINGE SCREW D= 7.94 H= 4.3				1
3	B3701019000	HINGE SCREW				1
4	B231919100A	PRESSER BAR LIFTING LEVER				1
5	12938502	LEVER				1
6	SD0450211SP	HINGE SCREW D= 4.50 H= 2.1				2
7	B2317019000	TENSION RELEASING SHAFT CRANK				1
8	SS7110710SP	SCREW 11/64-40 L=7				1
9	B2321019000	PRESSER BAR LIFTING LEVER SPRI				1
10	B81011910A0	KNEE LIFTER ASM.				1
11	B8102191000	KNEE LIFTER LEVER		*		1
12	SS9151210TP	SCREW 15/64-28 L=11.8		*		1
13	B8101191000	KNEE DRIVING SHAFT MOUNTING		*		1
14	B8511180000	SPRING		*		1
15	12944906	SPRING HOOK		*		1
16	SS9182010TE	BOLT 9/32-20 L=20		*		2
17	12944906	SPRING HOOK		*		1
18	22932453	BRACKET ASM.		*		1
19	B3421012000	KNEE PRESS ROD		*		1
20	SK3482500SC	WOOD SCREW D=4.8 L=25				4
21	22934251	KNEE PAD PLATE ASM.				1
22	22934202	KNEE PAD PLATE		*		1
23	22934301	KNEE PAD PLATE SUPPORT		*		1
24	22934400	KNEE PAD PLATE RUBBER		*		1
25	22934509	KNEE PAD PLATE COVER		*		1
26	22934608	KNEE PAD UPRIGHT SHAFT		*		1
27	SM9061203SE	SCREW M6 L=12		*		1

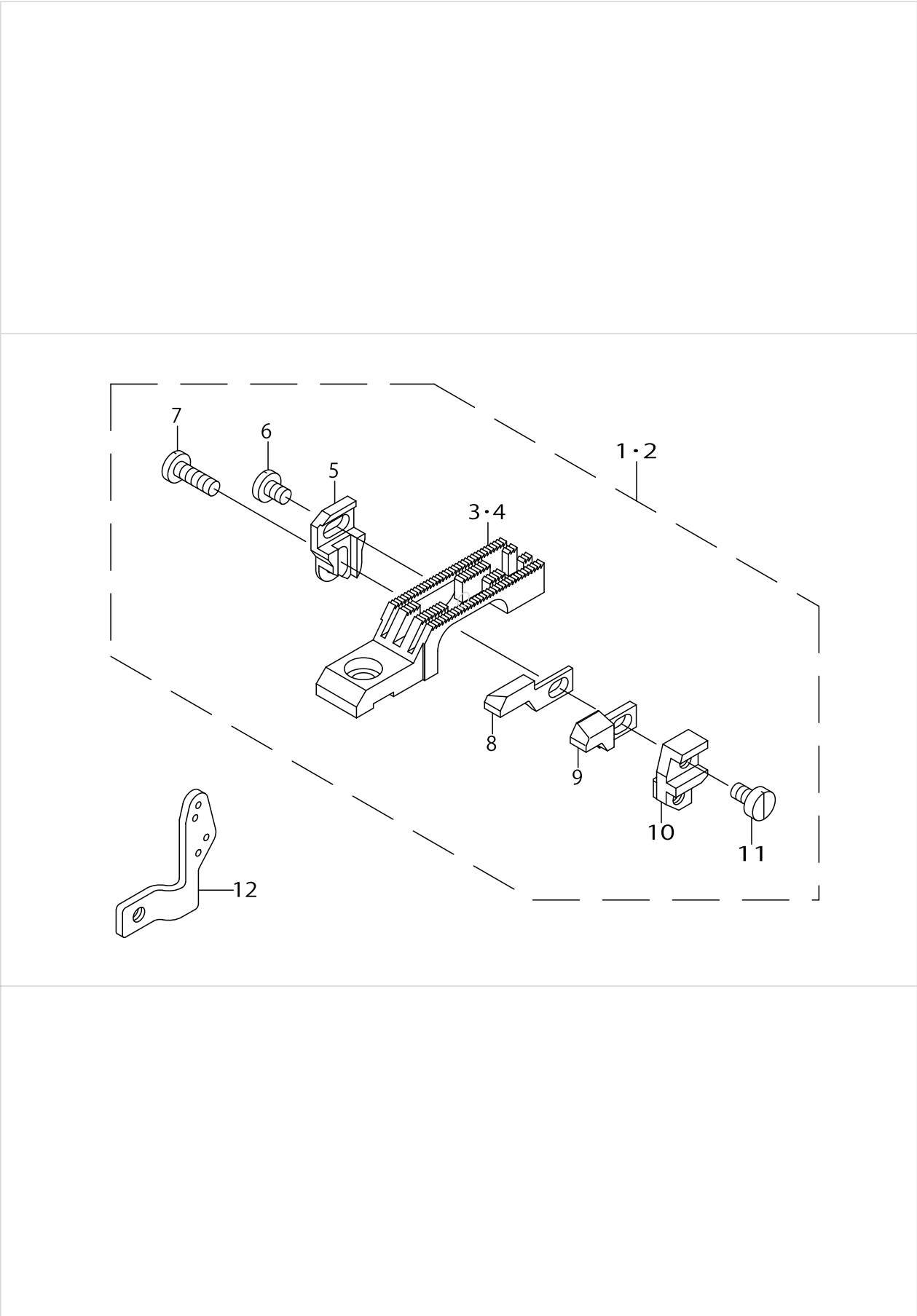
THREAD STAND COMPONENTS



THREAD STAND COMPONENTS

No.	Parts No.	Parts name	Remarks	Level	Cons	Qty
1	13167556	THREAD STANDING DEVICE ASM.				1
2	22930556	SPOOL REST ARM ASM.		*		2
3	22930507	SPOOL REST ARM		*		2
4	22930705	THREAD GUIDE ARM JOINT		*		4
5	22931406	THREAD STANDING ROD RUBBER CAP		*		1
6	22930408	THREAD STANDING ROD, UPPER		*		1
7	22931307	THREAD STANDING ROD JOINT		*		1
8	13167903	THREAD STANDING THREAD GUIDE		*		1
9	13168000	THREAD STANDING GUIDE BASE		*		1
10	13168109	THREAD STANDING GUIDE ARM		*		1
11	13168208	THREAD STANDING GUIDE ARM BASE		*		1
12	22930309	THREAD STANDING ROD, LOWER		*		1
13	22931109	SPOOL RETAINER		*		4
14	22931000	SPOOL PIN		*		4
15	22930903	SPOOL REST CUSHION		*		4
16	22930804	SPOOL REST		*		4
17	SM6061610SC	SCREW M6 L=16		*		4
18	SM4051405SE	SCREW M5 L=14		*		2
19	NM6050001SE	NUT M5		*		2
20	SM4041001SC	SCREW M4X0.7 L=10		*		2
21	NM6040002SE	NUT M4X0.7		*		2
22	SM4041201SC	SCREW M4 L=12		*		1
23	SM4042001SC	SCREW M4 X 20		*		1
24	NM6040002SE	NUT M4X0.7		*		2
25	WP1612616SE	WASHER 16X30X2.6		*		2
26	WS1643202KR	SPRING WASHER		*		1
27	NM6160511SE	NUT M16X1.5		*		1
28	NM6050001SE	NUT M5		*		4
29	WS0510002KN	SPRING WASHER		*		4

OPTIONAL PARTS COMPONENTS (FOR MS-1190)



OPTIONAL PARTS COMPONENTS (FOR MS-1190)

No.	Parts No.	Parts name	Remarks	Level	Cons	Qty
1	12932653	FEED DOG ASM.	SELECTIVE PARTS			1
2	12932752	FEED DOG ASM.,1/4.	SELECTIVE PARTS			1
3	12932604	FEED DOG	SELECTIVE PARTS	*		1
4	12932703	FEED DOG 1/4	SELECTIVE PARTS	*		1
5	12964409	NEEDLE HOLDER ADJUSTING BASE		*		1
6	SS7090510SP	SCREW 9/64-40 L= 4.6		*		1
7	SS7091110TP	SCREW 9/64-40 L=10.5		*		1
8	12978805	NEEDLE HOLDER (LEFT)		*		1
9	12978904	NEEDLE HOLDER (RIGHT)		*		1
10	12979001	NEEDLE HOLDER (B)		*		1
11	SS6090670TP	SCREW 9/64-40 L=6		*		1
12	12943007	LOOPER THREAD GUIDE.				1

TABLE OF EXCHANGING GAUGE (FOR MS-1190)

Description	Gauge set (with finger guard) ゲージセット (指ガード付)		Throat plate 針板		Needle clamp asm. 針留(組)		Presser foot asm. (with finger guard) 押さえ(組) (指ガード付)		Feed dog 送り歯		Looper asm. (L) ルーバ(L)(組)		Looper asm. (R) ルーバ(R)(組)			
Needle gauge size 針幅																
Code ゲージ 記号																
	inch	mm	FefNo	Part No	FefNo	Part No	FefNo	Part No	FefNo	Part No	FefNo	Part No	FefNo	Part No		
B	1/8	3.2	1	12923561	6	12923504	12	12926051	18	12927869	24	12932307	30	12941555	36	12940656
C	5/32	4.0	2	12923660	7	12923603	13	12926150	19	12927968	25	12932307	31	12941654	37	12940755
D	3/16	4.8	3	12923462	8	12923405	14	12925954	20	12927760	26	12932307	32	12941456	38	12940557
E	7/32	5.6	4	12923769	9	12923702	15	12926259	21	12928065	27	12932307	33	12941753	39	12940854
F	1/4	6.4	5	12923868	10	12923801	16	12926358	22	12928164	28	12932406	34	12941852	40	12940953
H	5/16	7.9			11	12924007	17	12926457	23	12928354	29	12932802	35	12941951	41	12941050

Description	Lap seam folder asm. フォルダ(組)						Feed dog asm. (with Removing needle holder) 送り歯(組) (移動針受付)		Looper needle guide (For Removing needle holder) ルーバ糸案内 (移動針受用)		Throat plate (For chain off thread) 針板 (空環対応用)		Feed (For chain off thread) 送り (空環対応用)			
	M295		M296		M297											
Needle gauge size 針幅																
Code ゲージ 記号																
	inch	mm	FefNo	Part No	FefNo	Part No	FefNo	Part No	FefNo	Part No	FefNo	Part No	FefNo	Part No		
B	1/8	3.2	42	MAM2950AAAA	47	MAM2960AAAA	52	MAM2970AAAA	58	12932653	63	12943007	68	12923306	69	12932208
C	5/32	4.0	43	MAM2950BBAA	48	MAM2960BBAA	53	MAM2970BBAA	59	12932653	64	12943007				
D	3/16	4.8	44	MAM2950CCAA	49	MAM2960CCAA	54	MAM2970CCAA	60	12932653	65	12943007				
E	7/32	5.6	45	MAM2950DDAA	50	MAM2960DDAA	55	MAM2970DDAA	61	12932653	66	12943007				
F	1/4	6.4	46	MAM2950EEAA	51	MAM2960EEAA	56	MAM2970EEAA	62	12932752	67	12943007				
H	5/16	7.9					57	MAM2970GGAA								

Folder mark

フォルダ-記号

M295 - Extra light-weight

M296 - Light-weight (MS-1190 Standard equipment)

M297 - Medium-weight (MS-1190M Standard equipment)

The folder is not included in gauge set.

For code H, throat plate, presser foot and feed dog for MS-19 are used.

Also, exclusive needle guards(12943957) are necessary.

極薄物用

薄物用(MS-1190標準装備)

中厚物用(MS-1190M標準装備)

フォルダはキットには含まれません。

Hゲージは、針板・押さえ・送りがMS-19タイプとなります。

また、専用の針受12943957が必要です。

TABLE OF EXCHANGING GAUGE (FOR MS-1190)

No.	Parts No.	Parts name	Remarks	Level	Cons	Qty
1	12923561	GAUGE PARTS SET 1/8				1
2	12923660	GAUGE PARTS SET 5/32				1
3	12923462	GAUGE PARTS SET 3/16				1
4	12923769	GAUGE PARTS SET 7/32				1
5	12923868	GAUGE PARTS SET 1/4				1
6	12923504	THROAT PLATE 1/8				1
7	12923603	THROAT PLATE 5/32				1
8	12923405	THROAT PLATE(3/16)				1
9	12923702	THROAT PLATE 7/32				1
10	12923801	THROAT PLATE 1/4				1
11	12924007	THROAT PLATE 5/16				1
12	12926051	NEEDLE CLAMP 1/8 ASM.				1
13	12926150	NEEDLE CLAMP 5/32 ASM.				1
14	12925954	NEEDLE CLAMP 3/16 ASM.				1
15	12926259	NEEDLE CLAMP 7/32 ASM.				1
16	12926358	NEEDLE CLAMP 1/4 ASM.				1
17	12926457	NEEDLE CLAMP ASM. 5/16				1
18	12927869	PRESSER FOOT ASM. 1/8				1
19	12927968	PRESSER FOOT ASM. 5/32				1
20	12927760	PRESSER FOOT ASM. 3/16				1
21	12928065	PRESSER FOOT ASM. 7/32				1
22	12928164	PRESSER FOOT ASM. 1/4				1
23	12928354	PRESSER ASM., 5/16				1
24	12932307	FEED DOG				1
25	12932307	FEED DOG				1
26	12932307	FEED DOG				1
27	12932307	FEED DOG				1
28	12932406	FEED DOG 1/4				1
29	12932802	FEED DOG 5/16				1
30	12941555	LOOPER,L 1/8 ASM.				1
31	12941654	LOOPER,L 5/32 ASM.				1
32	12941456	LOOPER,L3/16 ASM.				1
33	12941753	LOOPER,L 7/32 ASM.				1
34	12941852	LOOPER,L 1/4 ASM.				1
35	12941951	LOOPER (L) ASM. 5/16				1
36	12940656	LOOPER,R 1/8 ASM.				1
37	12940755	LOOPER,R 5/32 ASM.				1
38	12940557	LOOPER,R 3/16 ASM.				1
39	12940854	LOOPER,R 7/32 ASM.				1
40	12940953	LOOPER,R 1/4 ASM.				1
41	12941050	LOOPER (R) ASM. 5/16				1
42	MAM2950AAAA	HOLDER 1/8A				1
43	MAM2950BBAA	HOLDER 5/32A				1
44	MAM2950CCAA	HOLDER 3/16A				1
45	MAM2950DDAA	HOLDER 7/32A				1
46	MAM2950EEAA	HOLDER 1/4A				1
47	MAM2960AAAA	HOLDER 1/8M				1

TABLE OF EXCHANGING GAUGE (FOR MS-1190)

Description	Gauge set (with finger guard) ゲージセット (指ガード付)		Throat plate 針板		Needle clamp asm. 針留(組)		Presser foot asm. (with finger guard) 押さえ(組) (指ガード付)		Feed dog 送り歯		Looper asm. (L) ルーバ(L)(組)		Looper asm. (R) ルーバ(R)(組)			
Needle gauge size 針幅																
Code ゲージ 記号																
	inch	mm	FefNo	Part No	FefNo	Part No	FefNo	Part No	FefNo	Part No	FefNo	Part No	FefNo	Part No		
B	1/8	3.2	1	12923561	6	12923504	12	12926051	18	12927869	24	12932307	30	12941555	36	12940656
C	5/32	4.0	2	12923660	7	12923603	13	12926150	19	12927968	25	12932307	31	12941654	37	12940755
D	3/16	4.8	3	12923462	8	12923405	14	12925954	20	12927760	26	12932307	32	12941456	38	12940557
E	7/32	5.6	4	12923769	9	12923702	15	12926259	21	12928065	27	12932307	33	12941753	39	12940854
F	1/4	6.4	5	12923868	10	12923801	16	12926358	22	12928164	28	12932406	34	12941852	40	12940953
H	5/16	7.9			11	12924007	17	12926457	23	12928354	29	12932802	35	12941951	41	12941050

Description	Lap seam folder asm. フォルダ(組)						Feed dog asm. (with Removing needle holder) 送り歯(組) (移動針受付)		Looper needle guide (For Removing needle holder) ルーバ糸案内 (移動針受用)		Throat plate (For chain off thread) 針板 (空環対応用)		Feed (For chain off thread) 送り (空環対応用)			
	M295		M296		M297											
Needle gauge size 針幅																
Code ゲージ 記号																
	inch	mm	FefNo	Part No	FefNo	Part No	FefNo	Part No	FefNo	Part No	FefNo	Part No	FefNo	Part No		
B	1/8	3.2	42	MAM2950AAAA	47	MAM2960AAAA	52	MAM2970AAAA	58	12932653	63	12943007	68	12923306	69	12932208
C	5/32	4.0	43	MAM2950BBAA	48	MAM2960BBAA	53	MAM2970BBAA	59	12932653	64	12943007				
D	3/16	4.8	44	MAM2950CCAA	49	MAM2960CCAA	54	MAM2970CCAA	60	12932653	65	12943007				
E	7/32	5.6	45	MAM2950DDAA	50	MAM2960DDAA	55	MAM2970DDAA	61	12932653	66	12943007				
F	1/4	6.4	46	MAM2950EEAA	51	MAM2960EEAA	56	MAM2970EEAA	62	12932752	67	12943007				
H	5/16	7.9					57	MAM2970GGAA								

Folder mark

フォルダ-記号

M295 - Extra light-weight

M296 - Light-weight (MS-1190 Standard equipment)

M297 - Medium-weight (MS-1190M Standard equipment)

The folder is not included in gauge set.

For code H, throat plate, presser foot and feed dog for MS-19 are used.

Also, exclusive needle guards(12943957) are necessary.

極薄物用

薄物用(MS-1190標準装備)

中厚物用(MS-1190M標準装備)

フォルダはキットには含まれません。

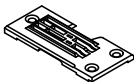
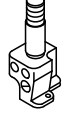
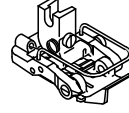
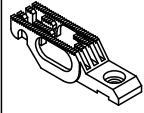


Hゲージは、針板・押さえ・送りがMS-19タイプとなります。

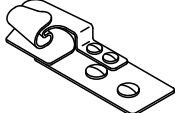
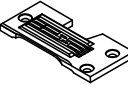
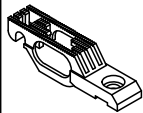
また、専用の針受12943957が必要です。

TABLE OF EXCHANGING GAUGE (FOR MS-1190)

No.	Parts No.	Parts name	Remarks	Level	Cons	Qty
48	MAM2960BBAA	HOLDER 5/32M				1
49	MAM2960CCAA	HOLDER 3/16M				1
50	MAM2960DDAA	HOLDER 7/32M				1
51	MAM2960EEAA	HOLDER 1/4M				1
52	MAM2970AAAA	HOLDER 1/8MH				1
53	MAM2970BBAA	HOLDER 5/32MH				1
54	MAM2970CCAA	HOLDER 3/16MH				1
55	MAM2970DDAA	HOLDER 7/32MH				1
56	MAM2970EEAA	HOLDER 1/4MH				1
57	MAM2970GGAA	HOLDER ASM. 5/16MH				1
58	12932653	FEED DOG ASM.				1
59	12932653	FEED DOG ASM.				1
60	12932653	FEED DOG ASM.				1
61	12932653	FEED DOG ASM.				1
62	12932752	FEED DOG ASM.,1/4.				1
63	12943007	LOOPER THREAD GUIDE.				1
64	12943007	LOOPER THREAD GUIDE.				1
65	12943007	LOOPER THREAD GUIDE.				1
66	12943007	LOOPER THREAD GUIDE.				1
67	12943007	LOOPER THREAD GUIDE.				1
68	12923306	THROAT PLATE 1/8				1
69	12932208	FEED DOG 1/8				1

TABLE OF EXCHANGING GAUGE (FOR MS-1190M)

Description 品名		Gauge set (with finger guard) ゲージセット (指ガード付)		Throat plate 針板		Needle clamp asm. 針留 (組)		Presser foot asm. (with finger guard) 押さえ (組) (指ガード付)		Feed dog 送り歯		Looper asm. (L) ルーバ(L)(組)		Looper asm. (R) ルーバ(R)(組)		
Code ゲージ 記号	Needle gauge size 針幅															
	inch	mm	Fef.No	Part No	Fef.No	Part No	Fef.No	Part No	Fef.No	Part No	Fef.No	Part No	Fef.No	Part No	Fef.No	Part No
B	1/8	3.2	1	12980561	6	12980504	11	12926051	16	12982666	21	12983508	26	12941555	31	12940656
C	5/32	4.0	2	12980660	7	12980603	12	12926150	17	12982765	22	12983508	27	12941654	32	12940755
D	3/16	4.8	3	12980462	8	12980405	13	12925954	18	12982567	23	12983508	28	12941456	33	12940557
E	7/32	5.6	4	12980769	9	12980702	14	12926259	19	12982864	24	12983508	29	12941753	34	12940854
F	1/4	6.4	5	12980868	10	12980801	15	12926358	20	12982963	25	12983607	30	12941852	35	12940953

Description 品名		Lap seam folder asm. フォルダー(組)				Throat plate (For chain off thread) 針板 (空環対応)		Feed (For chain off thread) 送り歯 (空環対応)		
		M296		M297						
Code ゲージ 記号	Needle gauge size 針幅									
	inch	mm	Fef.No	Part No	Fef.No	Part No	Fef.No	Part No	Fef.No	Part No
B	1/8	3.2	36	MAM2960AAAA	41	MAM2970AAAA	46	12980900	47	12983706
C	5/32	4.0	37	MAM2960BBAA	42	MAM2970BBAA				
D	3/16	4.8	38	MAM2960CCAA	43	MAM2970CCAA				
E	7/32	5.6	39	MAM2960DDAA	44	MAM2970DDAA				
F	1/4	6.4	40	MAM2960EEAA	45	MAM2970EEAA				

Folder mark
フォルダー記号

M296 - Light-weight (MS-1190 Standard equipment) 薄物用(MS-1190標準装備)
M297 - Medium-weight (MS-1190M Standard equipment) 中厚物用(MS-1190M標準装備)
The folder is not included in gauge set. フォルダーはゲージセットには含まれません。

TABLE OF EXCHANGING GAUGE (FOR MS-1190M)

No.	Parts No.	Parts name	Remarks	Level	Cons	Qty
1	12980561	GAUGE PARTS SET 1/8				1
2	12980660	GAUGE PARTS SET 5/32				1
3	12980462	GAUGE PARTS SET 3/16				1
4	12980769	GAUGE PARTS SET 7/32				1
5	12980868	GAUGE PARTS SET 1/4				1
6	12980504	THROAT PLATE 1/8M				1
7	12980603	THROAT PLATE 5/32M				1
8	12980405	THROAT PLATE 3/16M				1
9	12980702	THROAT PLATE (7/32M)				1
10	12980801	THROAT PLATE 1/4M				1
11	12926051	NEEDLE CLAMP 1/8 ASM.				1
12	12926150	NEEDLE CLAMP 5/32 ASM.				1
13	12925954	NEEDLE CLAMP 3/16 ASM.				1
14	12926259	NEEDLE CLAMP 7/32 ASM.				1
15	12926358	NEEDLE CLAMP 1/4 ASM.				1
16	12982666	PRESSER FOOT ASM. 1/8M				1
17	12982765	PRESSER 5/32M ASM. (EXPORT)				1
18	12982567	PRESSER FOOT ASM. 3/16M				1
19	12982864	PRESSER 7/32H ASM.				1
20	12982963	PRESSER FOOT ASM. 1/4M				1
21	12983508	FEED DOG M				1
22	12983508	FEED DOG M				1
23	12983508	FEED DOG M				1
24	12983508	FEED DOG M				1
25	12983607	FEED DOG 1/4M				1
26	12941555	LOOPER,L 1/8 ASM.				1
27	12941654	LOOPER,L 5/32 ASM.				1
28	12941456	LOOPER,L3/16 ASM.				1
29	12941753	LOOPER,L 7/32 ASM.				1
30	12941852	LOOPER,L 1/4 ASM.				1
31	12940656	LOOPER,R 1/8 ASM.				1
32	12940755	LOOPER,R 5/32 ASM.				1
33	12940557	LOOPER,R 3/16 ASM.				1
34	12940854	LOOPER,R 7/32 ASM.				1
35	12940953	LOOPER,R 1/4 ASM.				1
36	MAM2960AAAA	HOLDER 1/8M				1
37	MAM2960BBAA	HOLDER 5/32M				1
38	MAM2960CCAA	HOLDER 3/16M				1
39	MAM2960DDAA	HOLDER 7/32M				1
40	MAM2960EEAA	HOLDER 1/4M				1
41	MAM2970AAAA	HOLDER 1/8MH				1
42	MAM2970BBAA	HOLDER 5/32MH				1
43	MAM2970CCAA	HOLDER 3/16MH				1
44	MAM2970DDAA	HOLDER 7/32MH				1
45	MAM2970EEAA	HOLDER 1/4MH				1
46	12980900	THROAT PLATE 1/8M				1
47	12983706	FEED DOG 1/8M				1

HOW TO MAKE USE OF THIS PARTS LIST

1.Explanation of codes

1)"*"mark.....means this part is changed from the previous parts book.

As to the details of the change, refer to the "List for information of change".

2)"#01".....refer to "Note" explanation at bottom of page.

2.Codes on the "Qty" column

- Each numeral indicates the number of parts required.
- "0.1" and "2.5" indicate the length (in meters) of the respective parts.

3.Parentheses mean that the corresponding part is a subpart that constructs an assembly part.

4.Dotted lines on the Figures indicate assembly parts.

1."注記"欄の記号説明

1) "*"印.....前回のパーツブックに比較して今回変更された部品を意味します。

変更内容は、"変更情報リスト"を参照してください。

2) "#01".....ページ下の"注記"の説明を参照してください。

2.数量欄の数字は、個数を表し、0.1、2.5等の数値は、長さ（単位メートル）を表します。

3.数量欄の（ ）は、組部品を構成している子部品であることを意味します。

4.イラストページの-----枠は、組構成であることを意味します。

NUMERICAL INDEX OF PARTS

PART NO	PAGE	REF NO.	PART NO	PAGE	REF NO.	PART NO	PAGE	REF NO.
10704203	4	63	12925954	32	13	12934402	4	60
11956703	6	9	12926051	28	12	12935011	18	15
11957305	6	6	12926051	32	11	12935102	18	39
12920807	4	52	12926150	28	13	12935516	6	34
12920955	2	1	12926150	32	12	12935607	6	31
12921003	2	3	12926259	28	15	12935706	6	30
12921201	2	9	12926259	32	14	12935805	8	62
12921409	2	10	12926358	28	16	12935904	6	35
12921607	4	54	12926358	32	15	12936001	8	61
12921805	8	52	12926457	28	17	12936100	6	39
12921904	8	53	12927760	14	11	12936217	6	40
12922001	8	54	12927760	28	20	12936506	6	28
12922100	8	63	12927869	28	18	12936803	6	23
12922357	2	25	12927968	28	19	12936902	6	27
12922506	2	26	12928065	28	21	12937256	14	39
12922704	2	19	12928164	28	22	12937801	6	16
12922803	6	42	12928354	28	23	12937900	6	17
12923207	4	55	12929600	14	12	12938007	6	1
12923306	10	10·11·57	12931002	20	59	12938106	6	2
12923306	30	68	12931408	20	53	12938205	6	4
12923405	12	10·11·57	12931465	20	47	12938304	6	7
12923405	28	8	12931507	20	55	12938502	22	5
12923462	28	3	12931606	20	54	12938908	6	21
12923504	28	6	12931705	20	58	12939005	8	59
12923561	28	1	12931903	18	46	12939104	2	7
12923603	28	7	12932000	2	31	12939203	6	20
12923660	28	2	12932109	2	32	12939302	6	15
12923702	28	9	12932158	2	30	12939500	6	45
12923769	28	4	12932208	20	27·61	12939559	6	44
12923801	28	10	12932208	30	69	12939609	6	46
12923868	28	5	12932307	18	27·61	12939708	6	47
12924007	28	11	12932307	28	27	12939807	8	48
12924502	10	18	12932406	28	28	12939906	8	49
12924718	10	36	12932604	26	3·4	12940102	4	69
12924718	14	45	12932653	26	1·2	12940508	14	25
12924767	10	34	12932653	30	61	12940557	14	24
12924767	14	43	12932703	26	3·4	12940557	28	38
12924809	16	53	12932752	26	1·2	12940557	32	33
12924916	10	21	12932752	30	62	12940656	28	36
12925004	10	41	12932802	28	29	12940656	32	31
12925202	10	23·59	12933610	14	42	12940755	28	37
12925301	12	60·61	12933719	16	50	12940755	32	32
12925608	2	17	12934014	10	44	12940854	28	39
12925954	12	54	12934105	10	46	12940854	32	34
12925954	28	14	12934303	4	57	12940953	28	40

NUMERICAL INDEX OF PARTS

PART NO	PAGE	REF NO.	PART NO	PAGE	REF NO.	PART NO	PAGE	REF NO.
12940953	32	35	12980900	32	46	B1130051000	4	51
12941050	28	41	12981502	12	23·59	B1140019000	4	66
12941100	14	27	12981601	12	60·61	B1156019000	2	14
12941407	14	30	12982567	32	18	B1157019000	2	15
12941456	14	29	12982666	32	16	B11600190AA	2	16
12941456	28	32	12982765	32	17	B1161227000	12	62
12941456	32	28	12982864	32	19	B11620190AA	2	21
12941555	28	30	12982963	32	20	B1165026000	4	49
12941555	32	26	12983508	32	24	B1166019000	14	13
12941654	28	31	12983607	32	25	B1202512000	10	9
12941654	32	27	12983706	32	47	B1203512000	10	35
12941753	28	33	13167556	24	1	B1203512000	14	44
12941753	32	29	13167903	24	8	B1207191A00	10	6
12941852	28	34	13168000	24	9	B1207191AB0	10	1
12941852	32	30	13168109	24	10	B1208019000	10	5
12941951	28	35	13168208	24	11	B12090190A0	10	2
12942009	14	32	22907109	14	7	B1219019000	2	11
12942306	14	18	22907208	14	5	B1222019000	10	17
12942355	14	17	22920607	4	67	B1236125BA0	10	3
12942405	14	22	22930309	24	12	B1401019000	12	53
12942504	14	21	22930408	24	6	B1402019000	10	39
12942603	14	19	22930507	24	3	B1404026000	12	52
12942801	14	9	22930556	24	2	B1408038000	10	4
12942900	14	15	22930705	24	4	B14090190B0	12	49
12943007	26	12	22930804	24	16	B1411019000	10	14
12943007	30	67	22930903	24	15	B1412038000	10	13
12943106	10	19	22931000	24	14	B1418019000	12	50
12943700	4	74	22931109	24	13	B1501191000A	14	4
12944906	22	17	22931307	24	7	B1505191000	14	3
12951000	2	6	22931406	24	5	B1509191000	14	1
12964409	26	5	22932453	22	18	B1510191000	14	2
12978805	26	8	22934202	22	22	B1534816000	8	55
12978904	26	9	22934251	22	21	B1601019000	18	44
12979001	26	10	22934301	22	23	B1602019000	18	42
12980405	32	8	22934400	22	24	B1606191000	18	43
12980462	32	3	22934509	22	25	B1608019000A	18	32
12980504	32	6	22934608	22	26	B1610019000	18	29
12980561	32	1	40026874	10	31	B1621261000A	20	57
12980603	32	7	40026875	10	25	B1622541000	2	33
12980660	32	2	40038331	8	58	B1623191000	20	52
12980702	32	9	B11041910AA	2	38	B1624191000	20	48
12980769	32	4	B1104191A0A	2	39	B1625191000	20	51
12980801	32	10	B1104191A0B	2	40	B1626191000	20	50
12980868	32	5	B1104191A0C	2	41	B1635191000	18	41
12980900	10	10·11·57	B1124804000	4	53	B1802019000	14	35

NUMERICAL INDEX OF PARTS

PART NO	PAGE	REF NO.	PART NO	PAGE	REF NO.	PART NO	PAGE	REF NO.
B1803019000	14	36	CM500300001	2	43	RO068190100	2	28
B1805019000	2	22	CQ252000000	12	48	RO069180100	10	29
B1806019000	2	36	CQ303000000	10	40	RO095200100	18	37
B18080190A0	14	37	MAM2950AAAA	28	42	RO098240100	10	33
B2001019000	18	24	MAM2950BBAA	28	43	SD0450211SP	22	6
B20041910A0	18	21	MAM2950CCAA	16	52	SD0790431SP	22	2
B20060190A0	18	18	MAM2950CCAA	28	44	SK3482500SC	22	20
B2101191000A	18	38	MAM2950DDAA	28	45	SM4041001SC	24	20
B2105019000	18	35	MAM2950EEAA	28	46	SM4041201SC	24	22
B2106019000	18	36	MAM2960AAAA	28	47	SM4042001SC	24	23
B2107019000	18	13	MAM2960AAAA	32	36	SM4051405SE	24	18
B2108019000	18	33	MAM2960BBAA	30	48	SM5041055SN	10	45
B21090190A0	18	6	MAM2960BBAA	32	37	SM6061610SC	24	17
B211619100A	18	9-10	MAM2960CCAA	30	49	SM9061203SE	22	27
B211619100B	18	9-10	MAM2960CCAA	32	38	SS1090510SP	10	42
B2122019000	18	16	MAM2960DDAA	30	50	SS2110920TP	12	58
B2208019000	6	24	MAM2960DDAA	32	39	SS3060410SP	2	20
B2310019000	6	3	MAM2960EEAA	30	51	SS3060410SP	10	47
B2317019000	22	7	MAM2960EEAA	32	40	SS3090610SP	2	18
B231919100A	22	4	MAM2970AAAA	30	52	SS4080620TP	14	31
B2321019000	22	9	MAM2970AAAA	32	41	SS4090815SP	2	13
B2322019000	22	1	MAM2970BBAA	30	53	SS4090815SP	6	22
B2402019000	6	19	MAM2970BBAA	32	42	SS4110815SP	4	56
B2501019000	18	3	MAM2970CCAA	30	54	SS4120915SP	2	2
B2502019000	18	1	MAM2970CCAA	32	43	SS5060410SP	6	13
B2503019000	18	25	MAM2970DDAA	30	55	SS5090420SP	6	41
B25050190A0	18	4	MAM2970DDAA	32	44	SS5090610SP	2	23
B3112704000	6	8	MAM2970EEAA	30	56	SS5110810SP	2	29
B3126012000	6	5	MAM2970EEAA	32	45	SS5660440SP	10	30
B3421012000	22	19	MAM2970GGAA	30	57	SS5820540SP	4	65
B3502019000	10	27	MC263000800	10	20-56	SS6060220SP	6	25
B3503019000	10	28	MTV640N1200	12	20-56	SS6080410SP	4	62
B3504019000	10	26	NM6040002SE	24	24	SS6090510SP	14	16
B3510019000	10	12	NM6050001SE	24	28	SS6090670TP	26	11
B3512191000	2	47	NM6160511SE	24	27	SS6090910TP	14	33
B3541012000	10	43	NS6110310SP	6	12	SS6091210TP	14	41
B3701019000	22	3	NS6110350SP	8	50	SS6092120SP	10	32
B8101191000	22	13	NS6150310SP	18	12	SS6110480SP	2	42
B81011910A0	22	10	PS0200082KH	2	46	SS6110610TP	6	43
B8102191000	22	11	PS0250081K0	20	49	SS6110610TP	16	49
B8511180000	22	14	PS0500202KP	6	26	SS6111610SP	16	54
CM300200001	4	72-73	RE0400000K0	2	35	SS6121840SP	20	62
CM3002000C1	4	72-73	RE1200000K0	16	47	SS6122030SP	2	8
CM300200101	4	70-71	RO040100210	2	34	SS6122510SP	6	14
CM3002001A1	4	70-71	RO061180100	18	31	SS6151220SP	10	8

NUMERICAL INDEX OF PARTS

PART NO	PAGE	REF NO.	PART NO	PAGE	REF NO.
SS7080510TP	18	11	SS8660522TP	10	22
SS7090510SP	26	6	SS8660610TP	10	7
SS7090520SP	6	18	SS8660610TP	14	6
SS7090520SP	14	23	SS8660610TP	18	40
SS7090530SP	6	37	SS9151210TP	22	12
SS7090530SP	10	38	SS9182010TE	22	16
SS7090710SP	4	59	SS9284043CP	2	45
SS7090850SP	6	33	TA0850604R0	4	64
SS7090910SP	12	51	TA1250406R0	2	5
SS7090910SP	14	20	WP0320501SE	4	61
SS7090920SP	18	7	WP0370316SD	4	75
SS7091110TP	14	10	WP0371016SD	4	58
SS7091110TP	26	7	WP0371016SD	6	36
SS7110710SP	4	68	WP0550800SP	16	51
SS7110710SP	8	60	WP1612616SE	24	25
SS7110710SP	14	14	WS0510002KN	24	29
SS7110710SP	22	8	WS1643202KR	24	26
SS7110830SP	14	34			
SS7110830SP	18	17			
SS7110840SP	6	57			
SS7110840SP	8	57			
SS7111110TP	18	45			
SS7111120SP	2	37			
SS7111410SP	6	29			
SS7120910SP	10	15			
SS7151210SP	2	44			
SS7621040SP	18	28			
SS7740740SP	2	27			
SS7740740SP	10	16			
SS8080310TP	12	55			
SS8080660TP	18	2			
SS8110310SP	14	40			
SS8110410TP	18	60			
SS8110410TP	20	60			
SS8110422TP	18	30			
SS8110510SP	18	34			
SS8111160SP	6	11			
SS8120410SP	18	26			
SS8150310SP	14	8			
SS8150410SP	18	23			
SS8150710SP	10	37			
SS8150710SP	16	46			
SS8150710SP	18	14			
SS8150822TP	16	48			
SS8152030SP	10	24			