

MODEL : DDL-5550N SERIES

List No : 0927-07

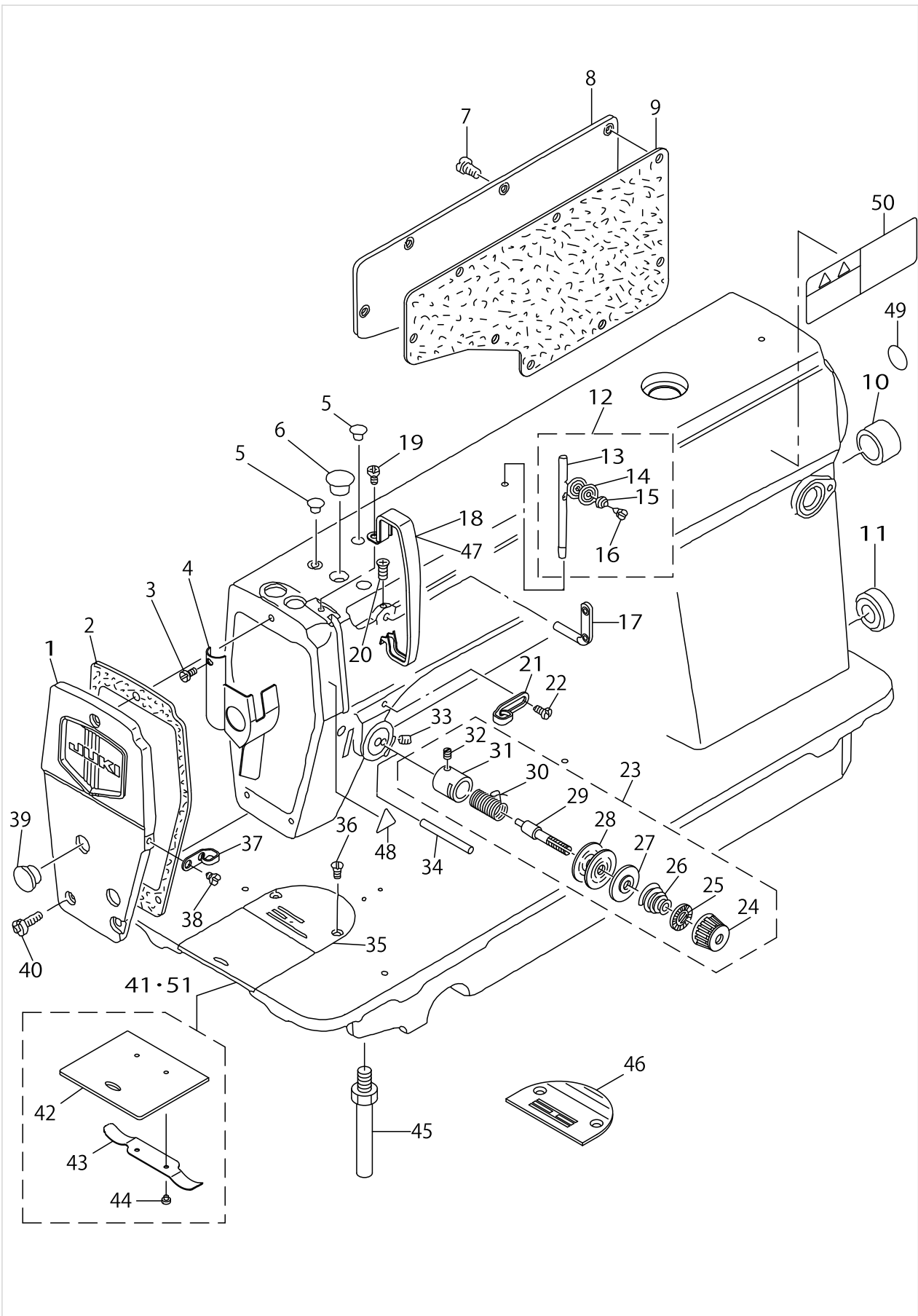
PARTS LIST

Published:09/10/2017

CONTENTS

MACHINE FRAME & MISCELLANEOUS COVER COMPONENTS	1
MAIN SHAFT & THREAD TAKE-UP LEVER COMPONENTS	5
NEEDLE BAR, UPRIGHT SHAFT & HOOK DRIVING SHAFT COMPONENTS	7
HAND LIFTER COMPONENTS	9
FEED MECHANISM COMPONENTS.....	11
OIL LUBRICATION COMPONENTS	15
OIL RESERVOIR COMPONENTS	17
BELT COVER & BOBBIN WINDER COMPONENTS	19
THREAD STAND COMPONENTS.....	21
EXCLUSIVE PARTS FOR DDL-5550NH.....	23
EXCLUSIVE PARTS FOR DDL-5550NA.....	25
LIST FOR INFORMATION OF CHANGE.....	27
HOW TO MAKE USE OF THIS PARTS LIST	28

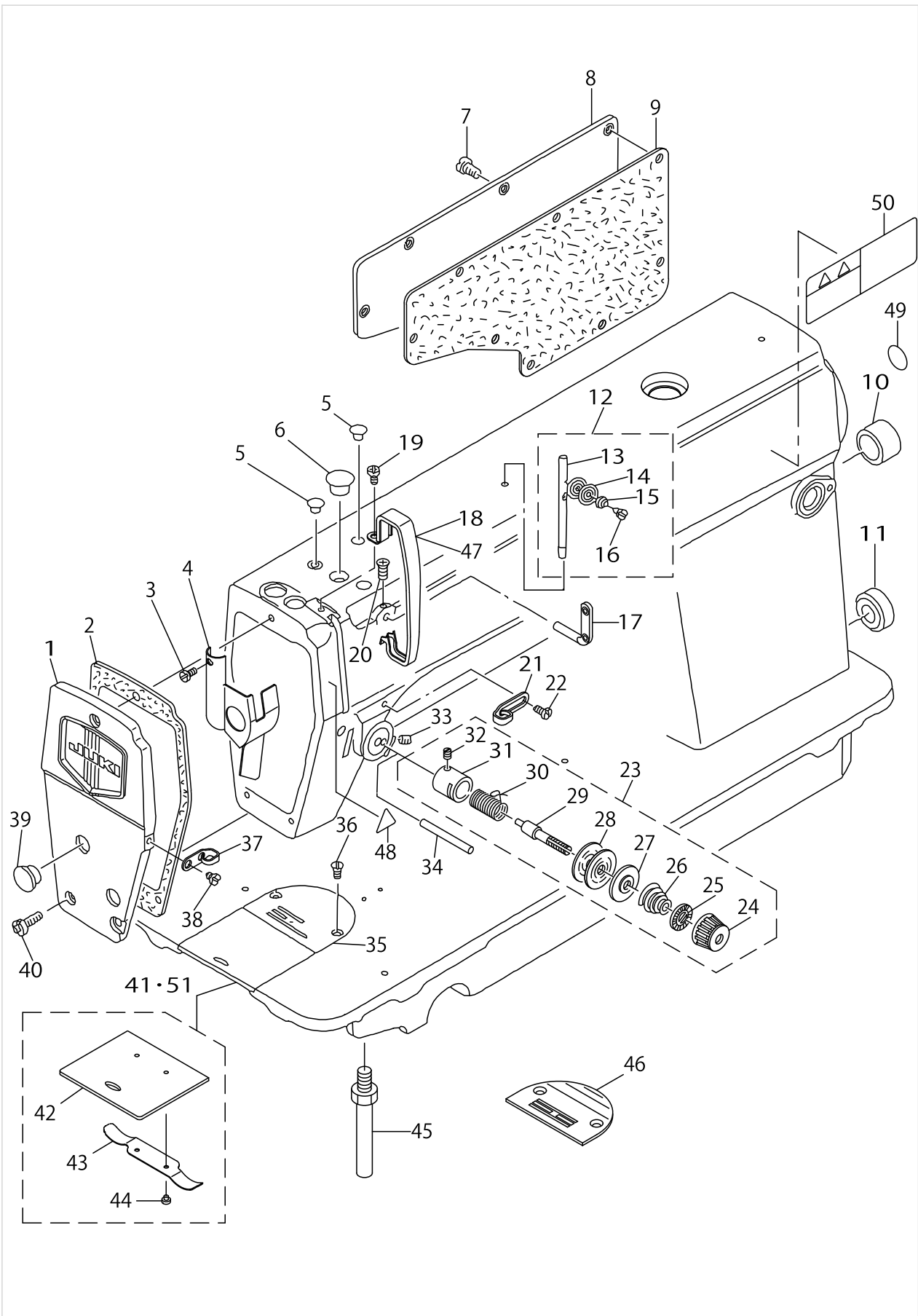
MACHINE FRAME & MISCELLANEOUS COVER COMPONENTS



MACHINE FRAME & MISCELLANEOUS COVER COMPONENTS

No.	Parts No.	Parts name	Remarks	Level	Cons	Qty
1	11070851	FACE PLATE ASM.				1
2	11000304	FACE PLATE GASKET				1
3	SS6080410SP	SCREW 1/8-44 L=4				1
4	22900757	FACE PLATE OIL SHIELD ASM.				1
5	TA0850604R0	RUBBER PLUG				2
6	TA1250705R0	RUBBER PLUG				1
7	SS4120915SP	SCREW 3/16-28 L=9				8
8	22900401	WINDOW PLATE				1
9	11003308	GASKET				1
10	TA2000502R0	RUBBER PLUG				1
11	TA2101002R0	RUBBER PLUG				1
12	22932552	NEEDLE THREAD GUIDE PIN ASM.				1
13	22932503	THREAD GUIDE ROD		*		1
14	22932602	THREAD GUIDE DISK		*		2
15	22932701	THREAD GUIDE DISK SPRING		*		1
16	SD0380552SL	HINGE SCREW D=3.8 H=5.5		*		1
17	22920706	TWO EYELET				1
18	22900609	THREAD TAKE-UP LEVER COVER				1
19	SS4120615SP	SCREW 3/16-28 L=6				1
20	SS4120615SP	SCREW 3/16-28 L=6				1
21	22920508	ARM THREAD GUIDE A				1
22	22921001	SCREW				1
23	22945356	THREAD TENSION ASM.				1
24	22921308	THREAD TENSION NUT		*		1
25	22921407	ROTATION STOPPER		*		1
26	22921704	THREAD TENSION SPRING, A		*		1
27	22921803	DISK STOPPER		*		1
28	22921506	THREAD TENSION DISK		*		2
29	22921209	THREAD TENSION POST		*		1
30	22921605	THREAD TAKE-UP SPRING		*		1
31	22945307	THREAD TENSION POST BASE		*		1
32	SS8090670SP	SCREW 9/64-40 L= 5.5		*		1
33	SS8150710TP	SCREW 15/64-28 L=7				1
34	22920904	PIN				1
35	B1109012A00	THROAT PLATE (A)				1
36	SS2110920TP	SCREW 11/64-40 L=8.5				2
37	22920607	ARM THREAD GUIDE B				1
38	SS6110610TP	SCREW 11/64-40 L=6				1
39	TA1250406R0	RUBBER PLUG D=12.5 L=4				2
40	SS4120915SP	SCREW 3/16-28 L=9				3
41	22901250	SLIDE PLATE ASM.				1
42	22901201	SLIDE PLATE		*		1
43	22901300	SLIDE PLATE SPRING		*		1
44	SS6060210SP	SCREW 3/32-56 L= 1.9		*		2
45	22901003	BED SCREW STUD				4
46	B1109552000	THROAT PLATE	FOR JA,JH			1
47	11415205	THREAD TAKE-UP LEVER COVER(JE)	FOR JE			1

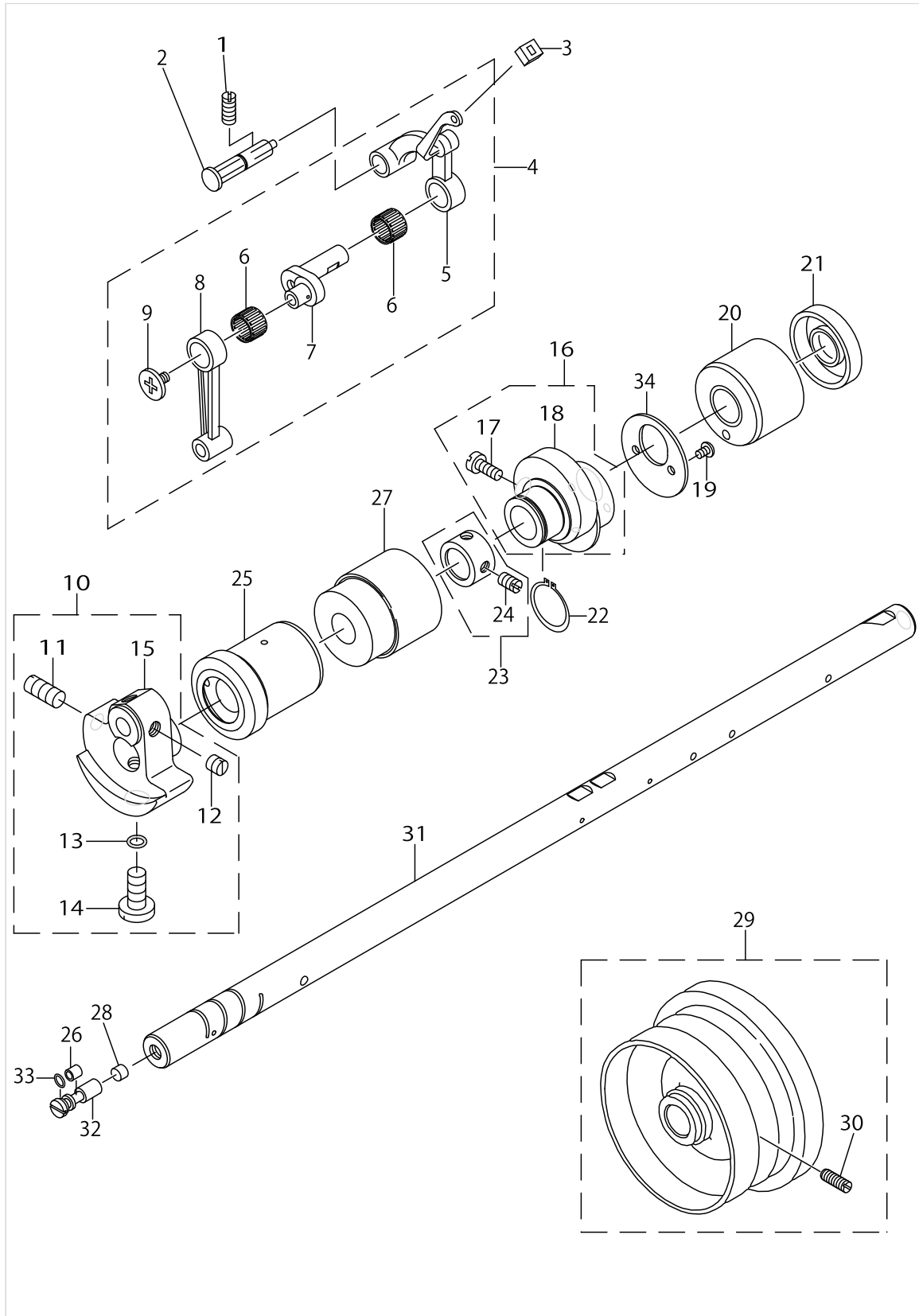
MACHINE FRAME & MISCELLANEOUS COVER COMPONENTS



MACHINE FRAME & MISCELLANEOUS COVER COMPONENTS

No.	Parts No.	Parts name	Remarks	Level	Cons	Qty
48	CM300200001	ATTENTION SEAL				1
49	22901805	GROUND MARK				1
50	CM301300001	SAFETY LABEL				1
51	22902753	SLIDE PLATE ASM.	FOR JH			1

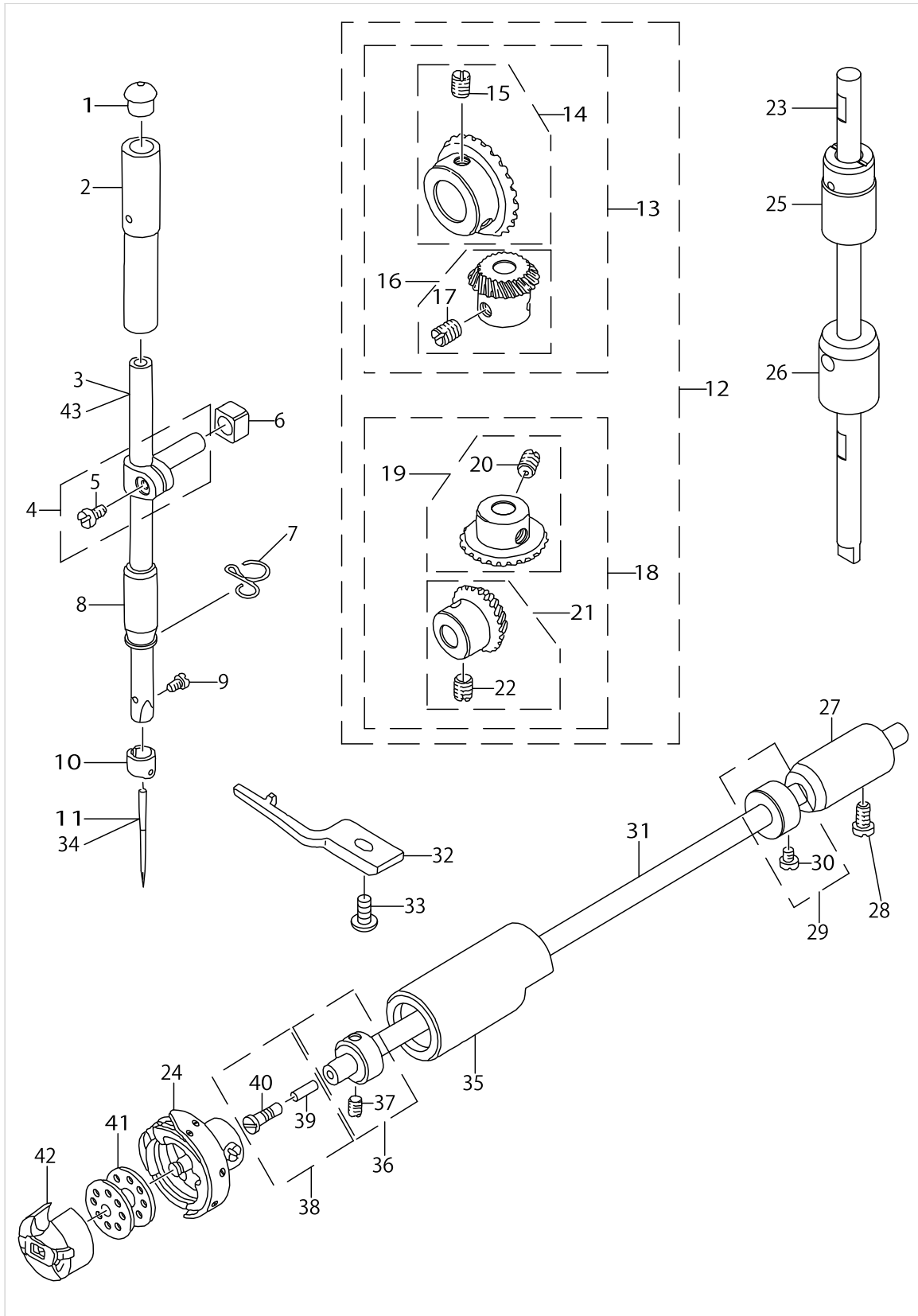
MAIN SHAFT & THREAD TAKE-UP LEVER COMPONENTS



MAIN SHAFT & THREAD TAKE-UP LEVER COMPONENTS

No.	Parts No.	Parts name	Remarks	Level	Cons	Qty
1	SS8151150TP	SCREW 15/64-28 L=10.5				1
2	22919559	THREAD TAKE-UP CRANK SHAFT ASM				1
3	22919203	OIL PROTECTING RUBBER				1
4	11039070	THREAD TAKE-UP LEVER ASM.				1
5	11039062	THREAD TAKE-UP LEVER ASM.		*		1
6	B1905541B00	NEEDLE BEARING	SELECTIVE PARTS	*		2
7	11005204	NEEDLE BAR CRANK		*		1
8	B1408552000	NEEDLE BAR CRANK ROD		*		1
9	B1903552000	LEFT SCREW		*		1
10	22903157	COUNTER WEIGHT ASM.				1
11	SS8681650TP	SCREW 9/32-28 L=16		*		1
12	SS8660610TP	SCREW 1/4-40 L=6		*		2
13	RO044240100	RUBBER RING		*		1
14	SS7681650TP	SCREW 9/32-28 L=16		*		1
15	22903108	COUNTER WEIGHT		*		1
16	22910053	FEED DRIVE ECCENTRIC CAM ASM.				1
17	SS6661110SP	SCREW 1/4-40 L=11		*		2
18	22910004	FEED DRIVE ECCENTRIC CAM		*		1
19	SS4090615SP	SCREW 9/64-40 L=6				2
20	11002409	MAIN SHAFT BUSHING, REAR				1
21	11002508	OIL SEAL				1
22	RC1850001KP	SNAP RING 18.5				1
23	22904155	MAIN SHAFT THRUST COLLAR ASM.				1
24	SS8660610TP	SCREW 1/4-40 L=6		*		2
25	22903207	MAIN SHAFT BUSHING, FRONT				1
26	B1215552000	OIL ADJUSTING COLLAR				1
27	22903306	BUSHING,INTERMEDIATE				1
28	11002904	ROLLER FELT				1
29	11071362	FLYWHEEL ASM.				1
30	SS8151550SP	SCREW 15/64-28 L=15		*		2
31	22903009	MAIN SHAFT				1
32	22903900	ADJUSTING PIN				1
33	RO029180100	RUBBER RING				1
34	22910103	THRUST COLLAR				1

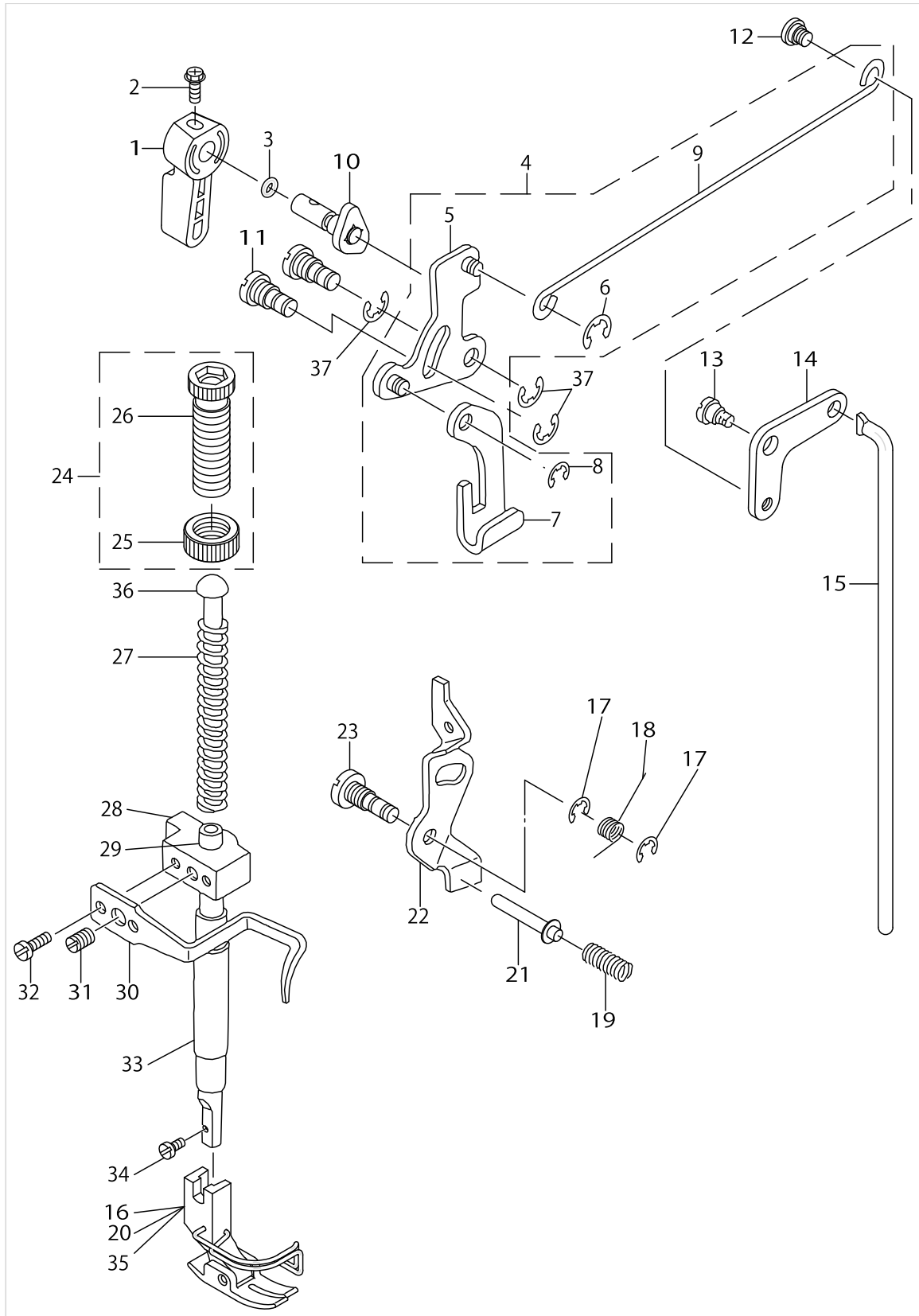
NEEDLE BAR, UPRIGHT SHAFT & HOOK DRIVING SHAFT COMPONENTS



NEEDLE BAR, UPRIGHT SHAFT & HOOK DRIVING SHAFT COMPONENTS

No.	Parts No.	Parts name	Remarks	Level	Cons	Qty
1	22901409	NEEDLE BAR UPPER BUSH CAP				1
2	22906101	NEEDLE BAR BUSHING, UPPER				1
3	22906002	NEEDLE BAR				1
4	22906457	NEEDLE BAR HOLDER ASM.				1
5	SS6090670TP	SCREW 9/64-40 L=6		*		1
6	40090058	SLIDE BLOCK				1
7	22920805	NEEDLE BAR THREAD GUIDE				1
8	22906200	NEEDLE BAR BUSHING, LOWER				1
9	SS7080510TP	SCREW 1/8-44 L=4.5				1
10	22906309	NEEDLE BAR THREAD GUIDE				1
11	MDB100B1400	NEEDLE DBX1 #14				1
12	B13061550C0	GEAR & PINION ASM.				1
13	B13061550B0	GEAR & PINION ASM., UPPER		*		1
14	B13050120A0	GEAR ASM.		*		1
15	SS8660810TP	SCREW 1/4-40 L=8		*		2
16	B13061550A0	PINION ASM.		*		1
17	SS8660810TP	SCREW 1/4-40 L=8		*		2
18	B13071550B0	GEAR & PINION ASM., LOWER		*		1
19	B13071550A0	GEAR ASM. LARGE		*		1
20	SS8660810TP	SCREW 1/4-40 L=8		*		2
21	B13081550A0	PINION ASM.		*		1
22	SS8660810TP	SCREW 1/4-40 L=8		*		2
23	22905004	UPRIGHT SHAFT				1
24	B18301270A0	HOOK ASM.				1
25	22905103	UPRIGHT SHAFT BUSHING, UPPER				1
26	11004207	UPRIGHT SHAFT BUSHING, LOWER				1
27	22916308	HOOK DRIVING SHAFT BUSH, REAR				1
28	SS4120915SP	SCREW 3/16-28 L=9				1
29	22917157	THRUST COLLAR ASM., REAR				1
30	SS6110420TP	SCREW 11/64-40 L=4.8		*		2
31	22916001	HOOK DRIVING SHAFT				1
32	22916407	BOBBIN CASE POSITIONING FINGER				1
33	SS4110915TP	SCREW 11/64-40 L=9				1
34	MC200500900	NEEDLE 134 90	FOR JE			1
35	22916100	HOOK DRIVING SHAFT BUSH, FRONT				1
36	22917058	THRUST COLLAR ASM., FRONT				1
37	SS8110410TP	SCREW 11/64-40 L= 3.5		*		2
38	22916555	OIL SEAL SCREW ASM.				1
39	11015906	OIL WICK		*		1
40	22916506	SET SCREW		*		1
41	22932909	BOBBIN				1
42	B18370120A0	BOBBIN CASE ASM.				1
43	11141108	NEEDLE BAR	FOR JE			1

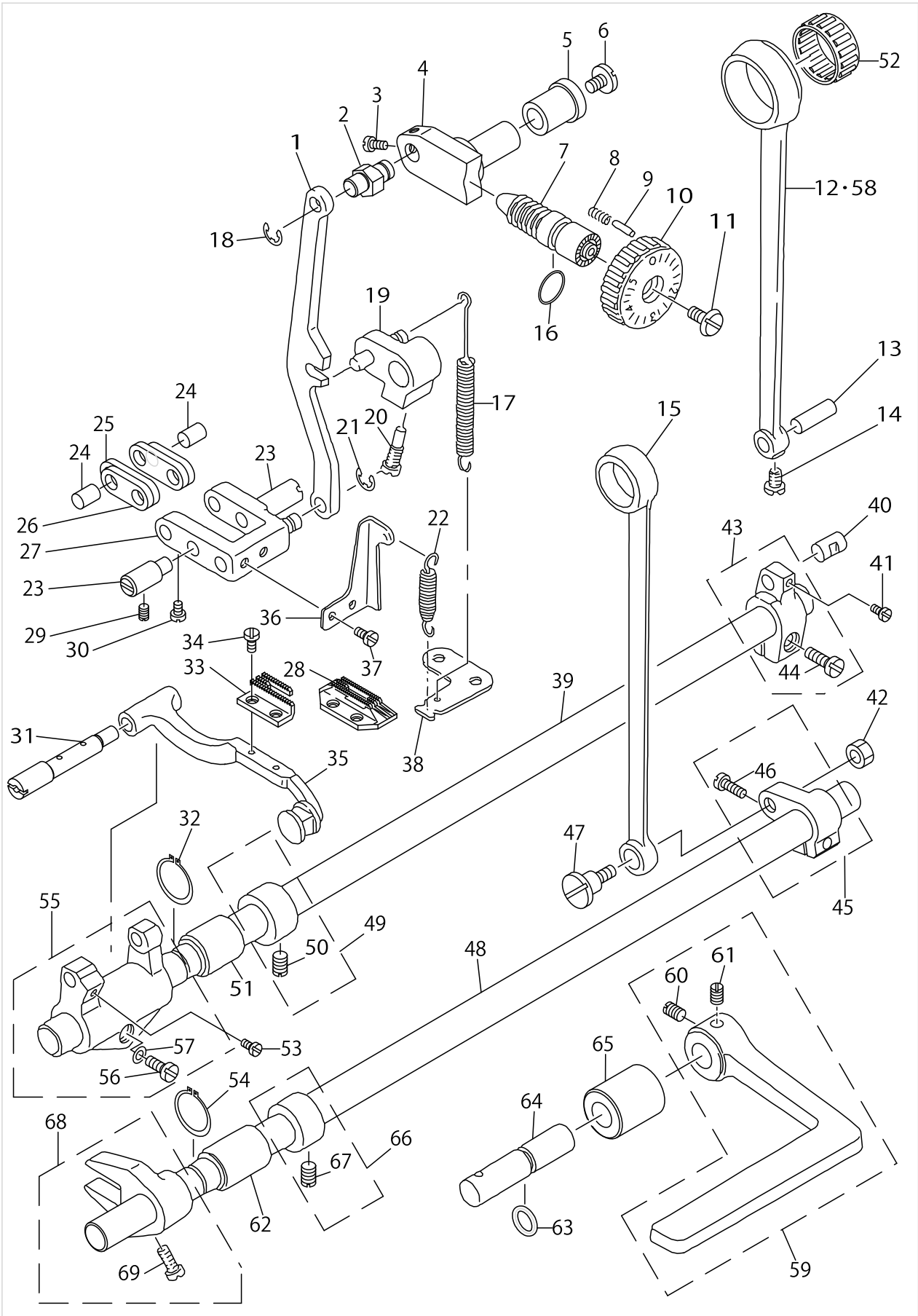
HAND LIFTER COMPONENTS



HAND LIFTER COMPONENTS

No.	Parts No.	Parts name	Remarks	Level	Cons	Qty
1	22907802	HAND LIFTER				1
2	B1521555000	SCREW				1
3	RO037180100	RUBBER RING				1
4	22908354	KNEE LIFTING CROSS ROD ASM.				1
5	22908156	LIFTING LINK ASM.		*		1
6	RE0500000K0	E-RING		*		1
7	22908008	LIFTING PLATE		*		1
8	11007309	E-RING		*		1
9	22908305	KNEE LIFTER SIDE ROD		*		1
10	22908552	HAND LIFTER CAM ASM.				1
11	22908701	LINK SHAFT				1
12	22908909	HINGE SCREW				1
13	SD0720331SP	HINGE SCREW D= 7.24 H= 3.3				1
14	22908800	KNEE LIFTER LINK				1
15	22909006	KNEE LIFTER CONNECTING ROD				1
16	11028172	PRESSER FOOT ASM.	FOR USE IN JAPAN			1
17	RE0500000K0	E-RING				2
18	11018207	TENSION RELEASE RETURN SPRING				1
19	22920409	THREAD RELEASE PIN SPRING				1
20	B15245520BA	PRESSER FOOT ASM.	FOR JA			1
21	22920300	THREAD RELEASE SUPPORTING PIN				1
22	22920003	THREAD RELEASE PLATE				1
23	22920102	THREAD RELEASE				1
24	22907554	FEED REGULATOR SCREW NUT ASM.				1
25	22907604	PRESSER SPRING REGULATOR NUT		*		1
26	22907505	PRESSER SPRING REGULATOR		*		1
27	22907406	PRESSER SPRING				1
28	11006004	PRESSER BAR GUIDE BRACKET				1
29	40017805	PRESSER BAR				1
30	22907307	THREAD GUIDE				1
31	SS8660810TP	SCREW 1/4-40 L=8				1
32	SS6090910SP	SCREW 9/64-40 L=9				2
33	40060989	PRESSER BAR BUSHING LOWER				1
34	SS7091110TP	SCREW 9/64-40 L=10.5				1
35	B15240120BA	PRESSER FOOT ASM.				1
36	22907703	PRESSER GUIDE BAR				1
37	RE0500000K0	E-RING				3

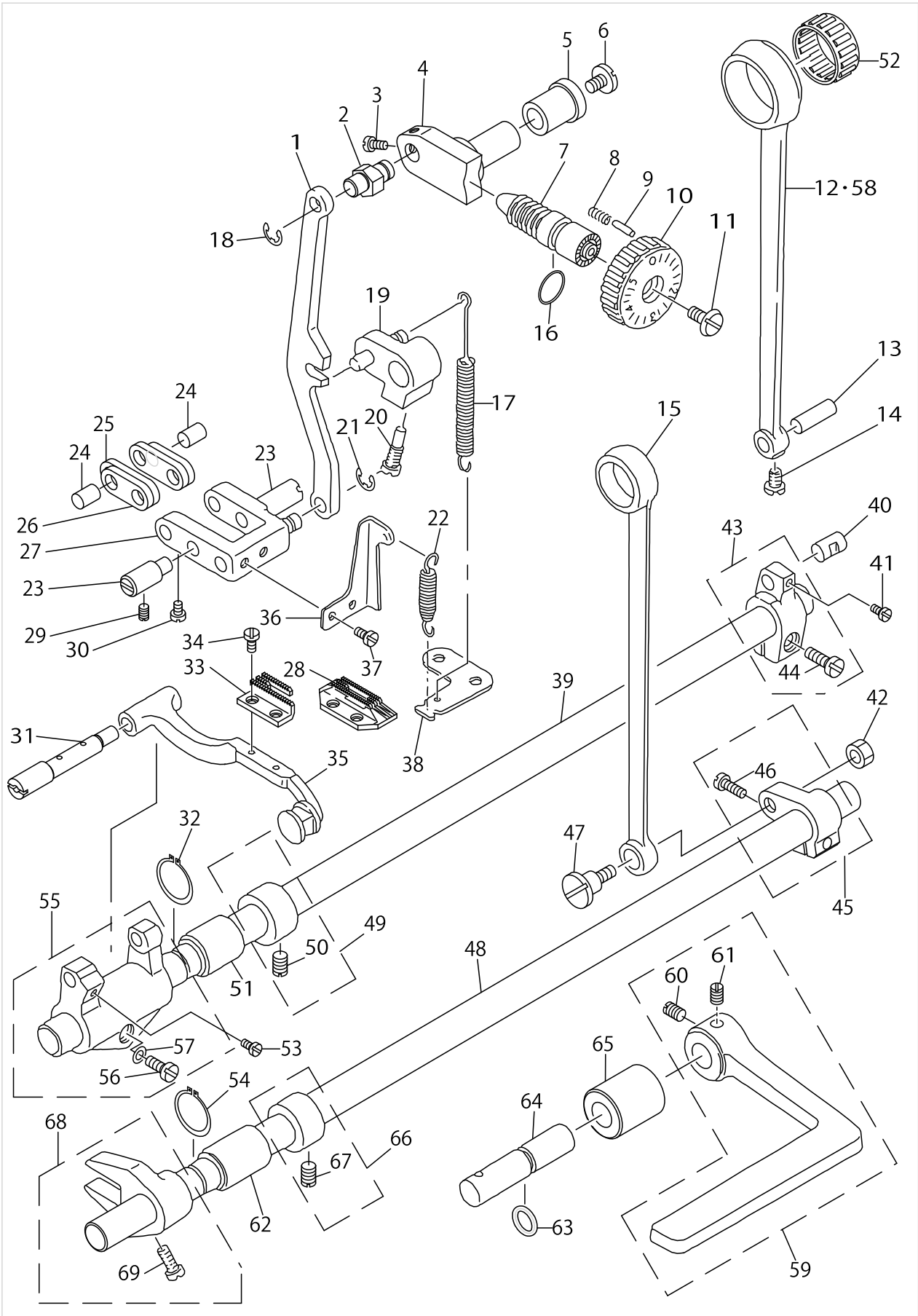
FEED MECHANISM COMPONENTS



FEED MECHANISM COMPONENTS

No.	Parts No.	Parts name	Remarks	Level	Cons	Qty
1	22911408	FEED REGULATOR CONNCTING ROD				1
2	22911507	WALKING FOOT PIN C				1
3	SS6090670TP	SCREW 9/64-40 L=6				2
4	22911606	FEED REGULATOR				1
5	22911705	FEED REGULATOR BUSHING				1
6	SS7120770SH	SCREW 3/16-28 L=7				1
7	22911804	FEED REGULATOR SCREW				1
8	22912109	FEED REGULATOR PIN SPRING				1
9	22912000	FEED REGULATOR PIN				1
10	22911903	FEED DIAL				1
11	SS6121860SP	SCREW 3/16-28 L=18				1
12	22910251	ROCKER SHAFT CONNECTING ROD				1
13	22911101	WALKING FOOT PIN C				1
14	SS6090620TP	SCREW				1
15	22915003	CONNECTING ROD				1
16	RO092270200	RUBBER RING				1
17	11010311	FEED REVERSE SPRING				1
18	RE0500000K0	E-RING				1
19	22912257	FEED REVERSE ARM ASM.				1
20	11010410	FEED REVERSE ARM SCREW				1
21	RE0500000K0	E-RING				1
22	22911309	ADJUSTING LINK SPRING				1
23	22910806	ADJUST LINK FULCRUM SHAFT A				2
24	22910905	WALKING FOOT PIN A				2
25	11008703	WALKING FOOT LINK				2
26	11008604	CONNECTING LINK A				2
27	22910459	FEED ADJUSTING LINK ASM.				1
28	B1613012I00	FEED DOG I	FOR JA,JH			1
29	SS8150710TP	SCREW 15/64-28 L=7				2
30	SS6090620TP	SCREW				2
31	22940803	FEED BAR SHAFT				1
32	RC0150001KP	RETAINING RING 13.8				1
33	B1613012A00	FEED DOG A				1
34	SS4080620TP	SCREW 1/8-44 L=6				2
35	22971857	FEED BASE ASM.				1
36	22941306	REGULATOR LINK SPRING HOOK				1
37	SS4110515SP	SCREW 11/64-40 L=5				2
38	22913701	FEED SPRING HOOK				1
39	22912901	FEED ROCKER SHAFT				1
40	22911002	WALKING FOOT PIN B				1
41	SS6090620TP	SCREW				1
42	NS6680410SP	NUT 9/32-28				1
43	22910350	FEED ROCKER SHAFT CRANK ASM.				1
44	SS7121410TP	SCREW 3/16-28 L=14		*		1
45	22915151	FEED ARM COMPL.				1
46	SS7121610SP	SCREW 3/16-28 L=15.5		*		1
47	SD1000801SH	HINGE SCREW D=10 H=8				1

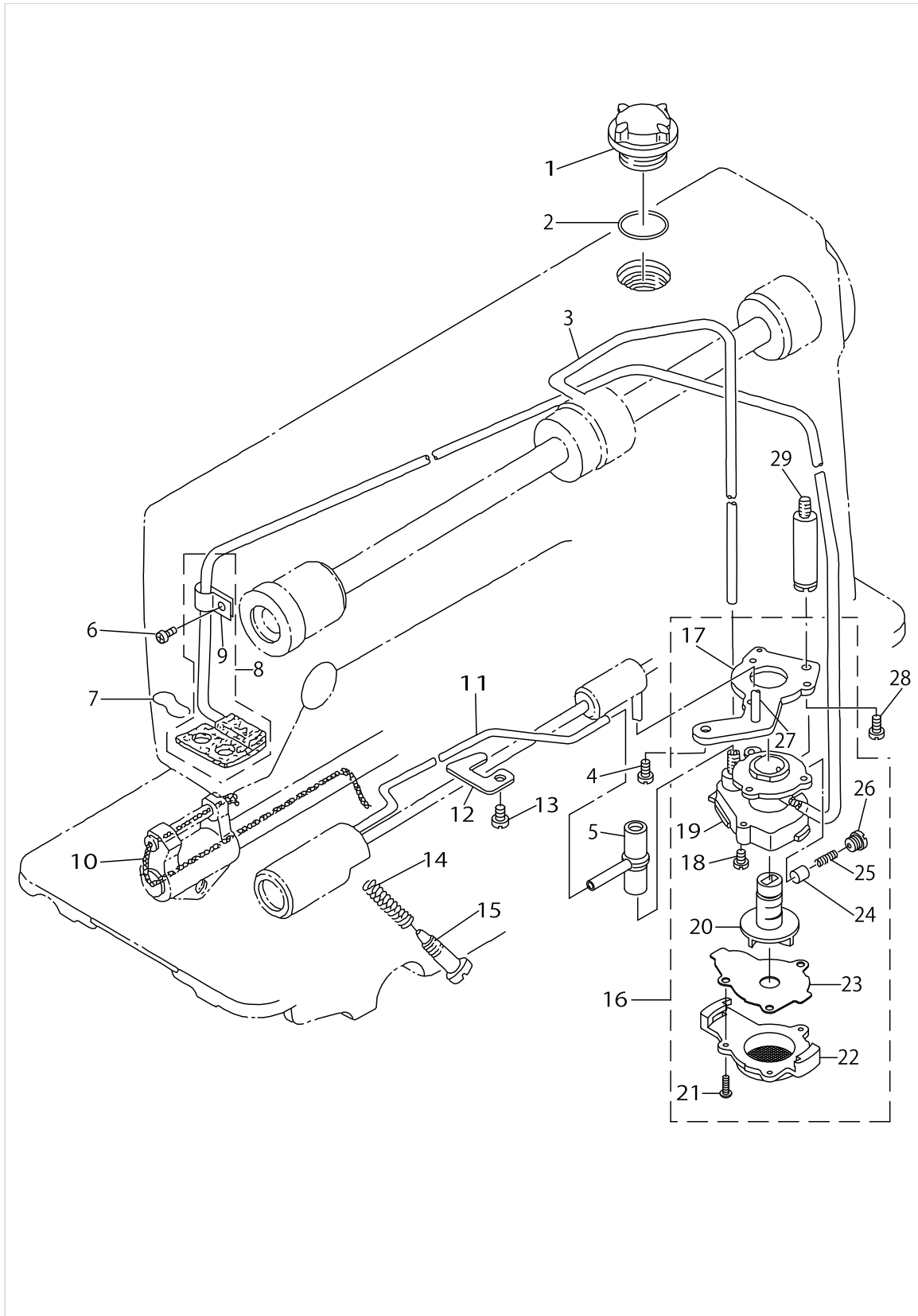
FEED MECHANISM COMPONENTS



FEED MECHANISM COMPONENTS

No.	Parts No.	Parts name	Remarks	Level	Cons	Qty
48	22915201	FEED DRIVING SHAFT				1
49	22904155	MAIN SHAFT THRUST COLLAR ASM.				1
50	SS8660610TP	SCREW 1/4-40 L=6		*		2
51	22913008	FEED ROCKER SHAFT BUSHING				1
52	B1636581C00	NEEDLE BEARING	FOR JE,JA & SELECTIVE PARTS(A~D)			1
53	SS7110740TP	SCREW 11/64-40 L=7				1
54	RC0150001KP	RETAINING RING 13.8				1
55	22940654	FEED ROCKER ASM.				1
56	SS7121410TP	SCREW 3/16-28 L=14		*		1
57	WP0480856SP	WASHER 4.8X8.4X0.8		*		1
58	11011400	HORIZONTAL FEED ROD (A)	FOR JE,JA			1
59	22912752	FEED LEVER ASM.				1
60	SM8061010TP	SCREW		*		1
61	SM8061050TP	SCREW		*		1
62	22913008	FEED ROCKER SHAFT BUSHING				1
63	RO078190100	RUBBER RING				1
64	22912604	FEED REVERSE SHAFT				1
65	11010709	FEED LEVER METAL				1
66	22904155	MAIN SHAFT THRUST COLLAR ASM.				1
67	SS8660610TP	SCREW 1/4-40 L=6		*		1
68	22915359	DRIVING SHAFT CRANK ASM.				1
69	SS7111120SP	SCREW 11/64-40 L=10.5		*		1

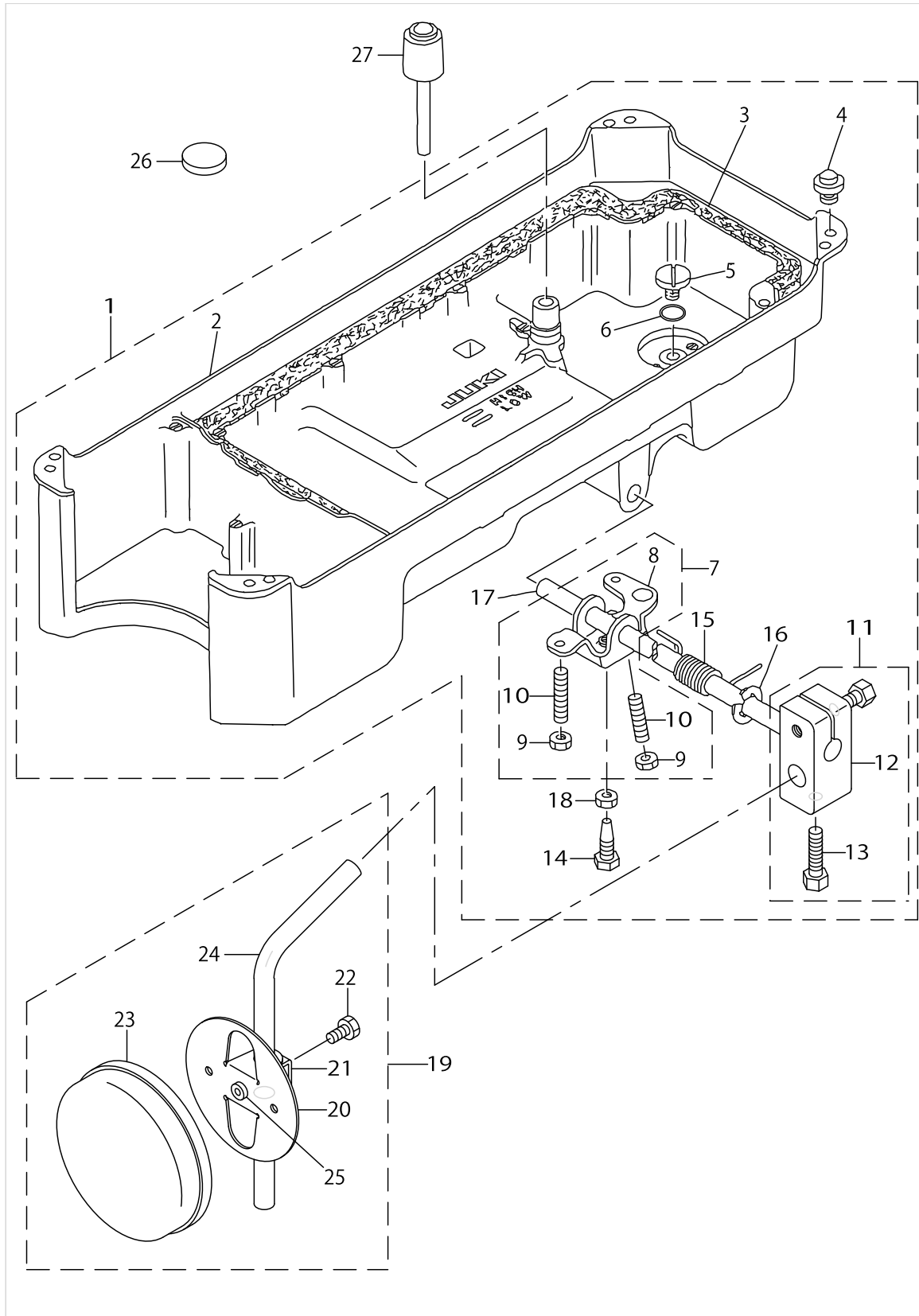
OIL LUBRICATION COMPONENTS



OIL LUBRICATION COMPONENTS

No.	Parts No.	Parts name	Remarks	Level	Cons	Qty
1	22924708	OIL SIGHT WINDOW				1
2	RO195240100	RUBBER RING				1
3	22924401	MAIN SHAFT OIL TUBE				1
4	SS4150915SP	SCREW 15/64-28 L=9				1
5	22924609	RUBBER JOINT				1
6	SS4120615SP	SCREW 3/16-28 L=6				1
7	22925101	OIL FELT PRESSER				1
8	22924153	RETURN PIPE ASM.				1
9	22924302	RETURN PIPE HOLDER		*		1
10	CQ252000000	OIL WICK				0.3
11	22924500	HOOK OIL TUBE				1
12	22924807	PIPE HOLDER, LOWER				1
13	SS4150915SP	SCREW 15/64-28 L=9				1
14	22924906	OIL REGULATOR SCREW SPRING				1
15	22925002	OIL REGULATOR SCREW				1
16	22923056	OIL PUMP ASM.				1
17	22923304	PUMP BODY INSTALLING PLATE		*		1
18	SL4030851SF	SCREW M3 L=8		*		3
19	22923007	PUMP BODY		*		1
20	22923700	IMPELLER		*		1
21	SE4301041SR	SCREW D=3 L=10		*		3
22	22923205	PUMP BODY COVER		*		1
23	22923809	PUMP BODY SUPPORT PLATE		*		1
24	22923403	PLUNGER		*		1
25	22923601	PLUNGER SPRING		*		1
26	22923502	PLUNGER SCREW		*		1
27	22923908	HOOK DRIVING SHAFT OILING PIPE		*		1
28	SS6111010TP	SCREW 11/64-40 L= 9.5				1
29	22924005	PUMP BODY STRUT				1

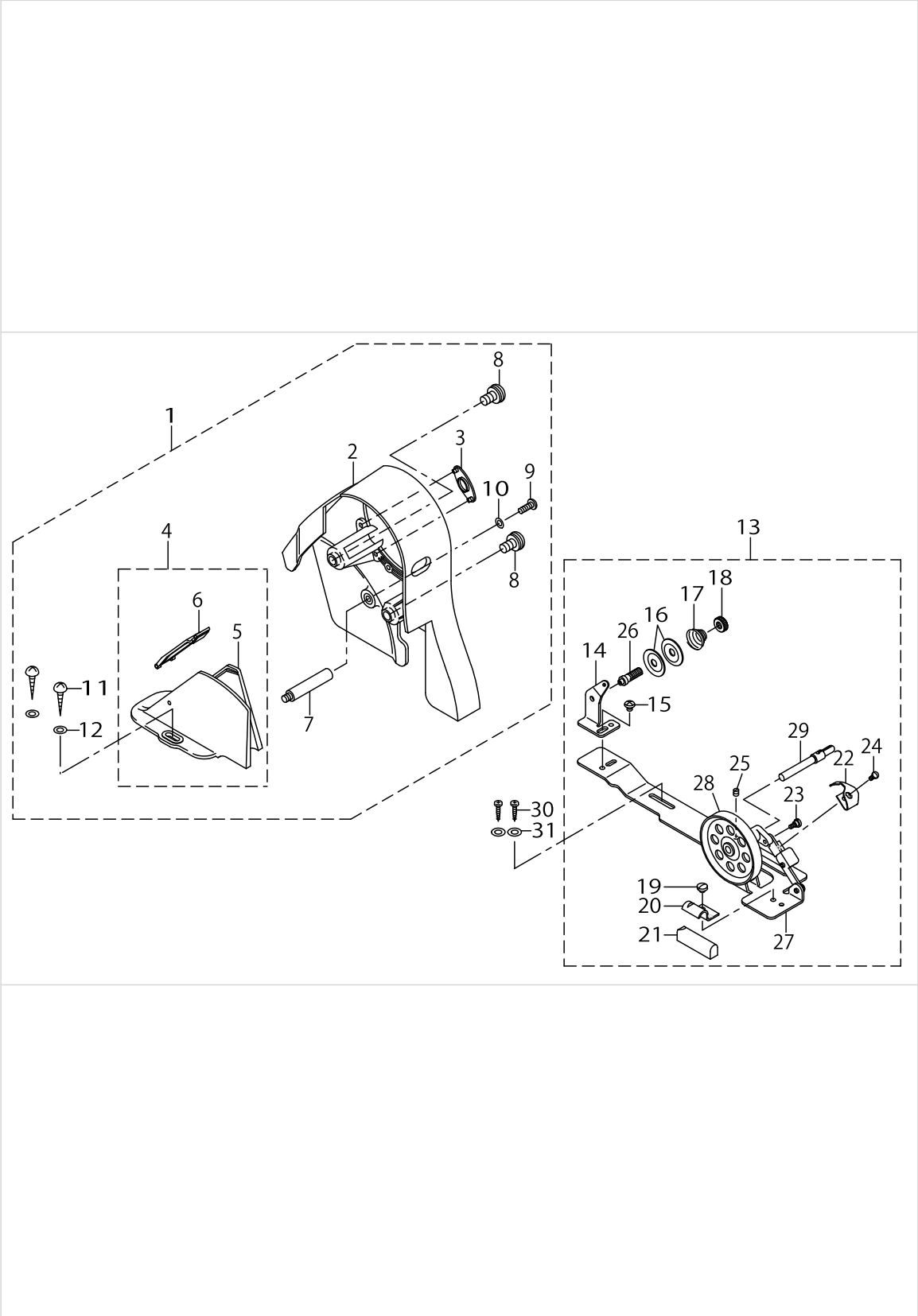
OIL RESERVOIR COMPONENTS



OIL RESERVOIR COMPONENTS

No.	Parts No.	Parts name	Remarks	Level	Cons	Qty
1	11047057	OIL RESERVOIR ASM.				1
2	11023017	OIL RESERVOIR		*		1
3	11024700	GASKET		*		1
4	11047107	RUBBER CUSHION		*		4
5	SS6700710SH	SCREW 5/16-24 L=7		*		1
6	RO098240100	RUBBER RING		*		1
7	22932156	KNEE LIFTER ROTATION ARM ASM.		*		1
8	22932107	KNEE LIFTER ROTATION ARM		*		1
9	NM6060001SE	NUT M6		*		2
10	SM8063012TR	SCREW M6 L=30		*		2
11	22932453	BRACKET ASM.		*		1
12	22932404	BRACKET		*		1
13	22934707	SCREW		*		2
14	SM9062563TR	SCREW M6 L=25		*		1
15	22932206	SPRING		*		1
16	RE1000000K0	E-RING 10		*		1
17	22932305	KNEE PRESS ROD		*		1
18	NM6060001SE	NUT M6		*		1
19	22934251	KNEE PAD PLATE ASM.				1
20	22934202	KNEE PAD PLATE		*		1
21	22934301	KNEE PAD PLATE SUPPORT		*		1
22	SM9061203SE	SCREW M6 L=12		*		1
23	22934509	KNEE PAD PLATE COVER		*		1
24	22934608	KNEE PAD UPRIGHT SHAFT		*		1
25	22934400	KNEE PAD PLATE RUBBER		*		1
26	B8228125000	OIL RESERVOIR MAGNET				1
27	22931703	KNEE LIFTER PUSH ROD				1

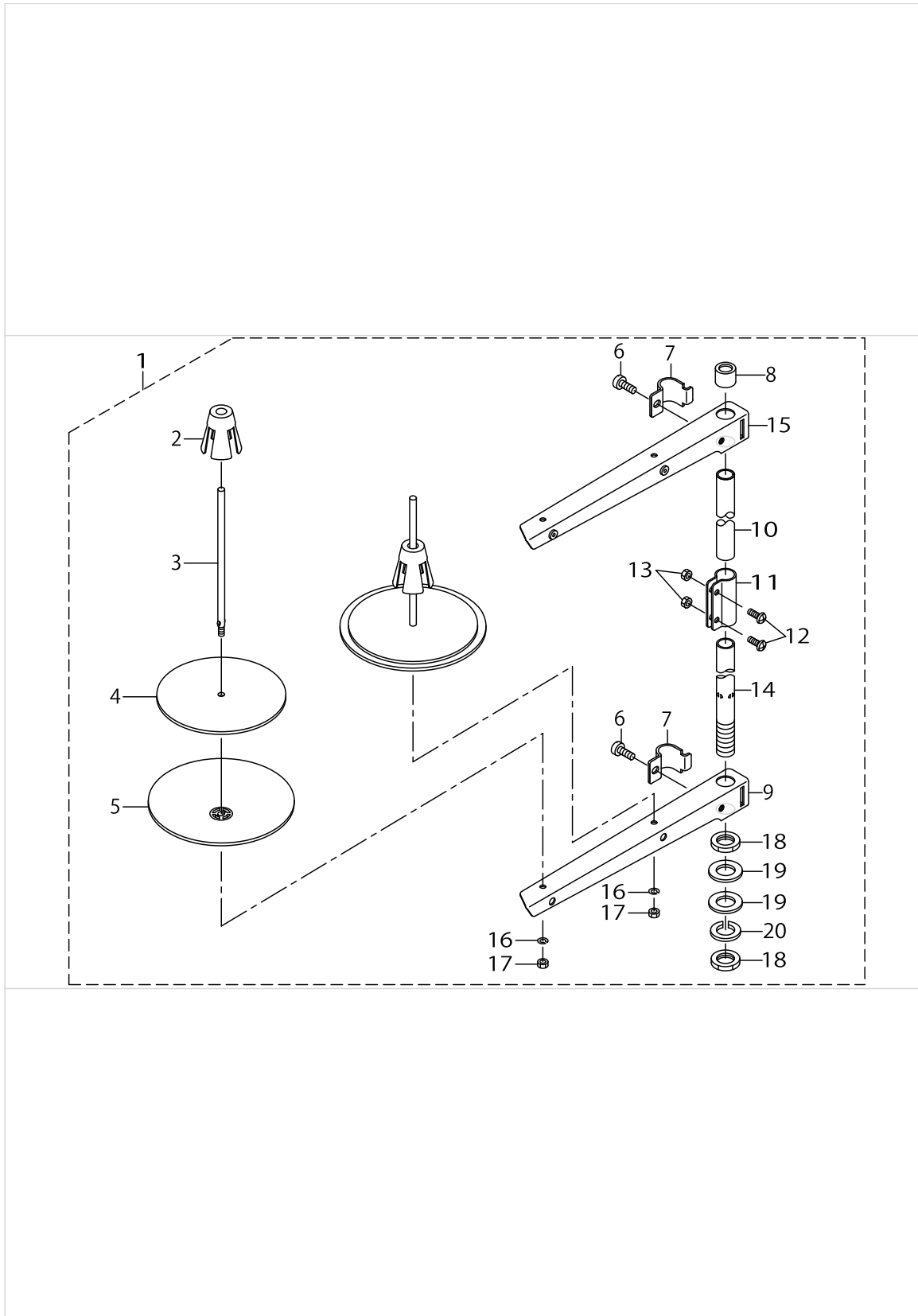
BELT COVER & BOBBIN WINDER COMPONENTS



BELT COVER & BOBBIN WINDER COMPONENTS

No.	Parts No.	Parts name	Remarks	Level	Cons	Qty
1	22933451	BELT COVER ASM.				1
2	22933402	BELT COVER A		*		1
3	22933501	BELT COVER A CAP		*		1
4	22933659	BELT COVER B COMPL.		*		1
5	22933600	BELT COVER B		*		1
6	22933758	BELT COVER B LID ASM.		*		1
7	22933907	BELT COVER STRUT		*		1
8	22934004	SET SCREW		*		2
9	SS4121415SP	SCREW 3/16-28 L=14		*		1
10	WP0501016SD	WASHER 5X10.5X1		*		1
11	SK3412000SC	WOOD SCREW D=4.1 L=20		*		2
12	WP0450826SC	WASHER 4.5X10X0.8		*		2
13	22927354	BOBBIN WINDER COMPL.				1
14	22928501	THREAD TENSION POST BASE		*		1
15	SS4110515SP	SCREW 11/64-40 L=5		*		1
16	22928907	THREAD TENSION DISK		*		2
17	22929004	THREAD TENSION SPRING		*		1
18	22928808	NUT		*		1
19	SS7110350SP	SCREW 11/64-40 L=3.5		*		1
20	22928402	CONTROL RUBBER HOLDING PLATE		*		1
21	22928303	CONTROL RUBBER		*		1
22	22928105	BOBBIN PRESSER		*		1
23	SD0490261SP	HINGE SCREW D=4.9 H=2.6		*		1
24	SS7081310SP	SCREW 1/8-44 L=12.5		*		1
25	SS8110510SP	SCREW 11/64-40 L=5		*		1
26	22928709	THREAD TENSION POST		*		1
27	22927305	BOBBIN WINDER BASE		*		1
28	22927404	BOBBIN WINDER		*		1
29	22927602	BOBBIN WINDER SPINDLE		*		1
30	SK3412000SC	WOOD SCREW D=4.1 L=20				2
31	WP0450826SC	WASHER 4.5X10X0.8				2

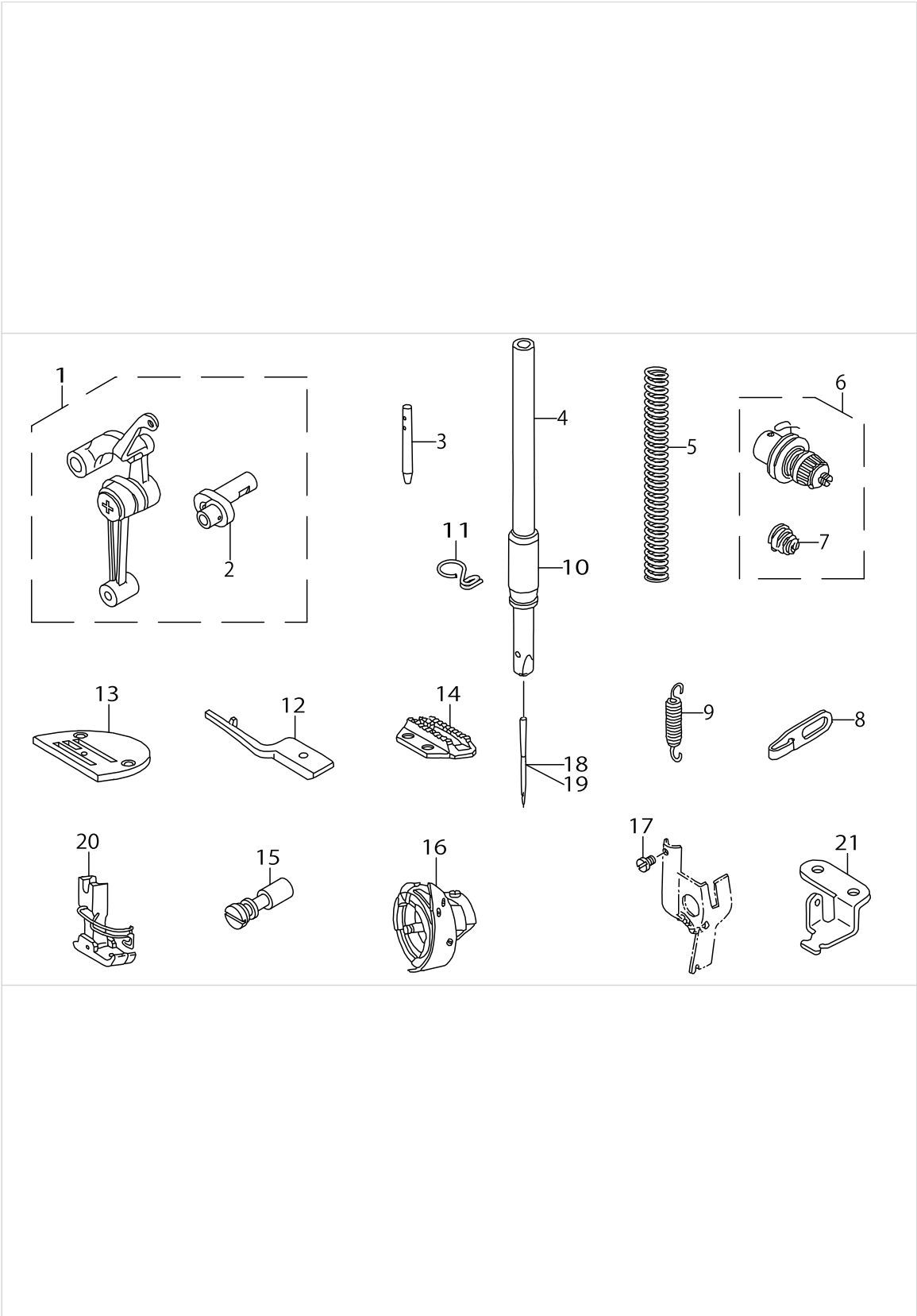
THREAD STAND COMPONENTS



THREAD STAND COMPONENTS

No.	Parts No.	Parts name	Remarks	Level	Cons	Qty
1	22930358	THREAD STAND ASM.				1
2	22931109	SPOOL RETAINER		*		2
3	22931000	SPOOL PIN		*		2
4	22930903	SPOOL REST CUSHION		*		2
5	22930804	SPOOL REST		*		2
6	SM6061610SC	SCREW M6 L=16		*		2
7	22930705	THREAD GUIDE ARM JOINT		*		2
8	22931406	SPOOL REST ROD RUBBER CAP		*		1
9	22930507	SPOOL REST ARM		*		1
10	22930408	SPOOL REST ROD, UPPER		*		1
11	22931307	SPOOL REST ROD JOINT		*		1
12	SM4051405SE	SCREW M5 L=14		*		2
13	NM6050001SE	NUT M5		*		2
14	22930309	SPOOL REST ROD, LOWER		*		1
15	22930556	THREAD STANDING ARM ASM.		*		1
16	WS0510002KN	SPRING WASHER		*		2
17	NM6050001SE	NUT M5		*		2
18	NM6160511SE	NUT M16X1.5		*		2
19	WP1612616SE	WASHER 16X30X2.6		*		2
20	WS1643202KR	SPRING WASHER		*		1

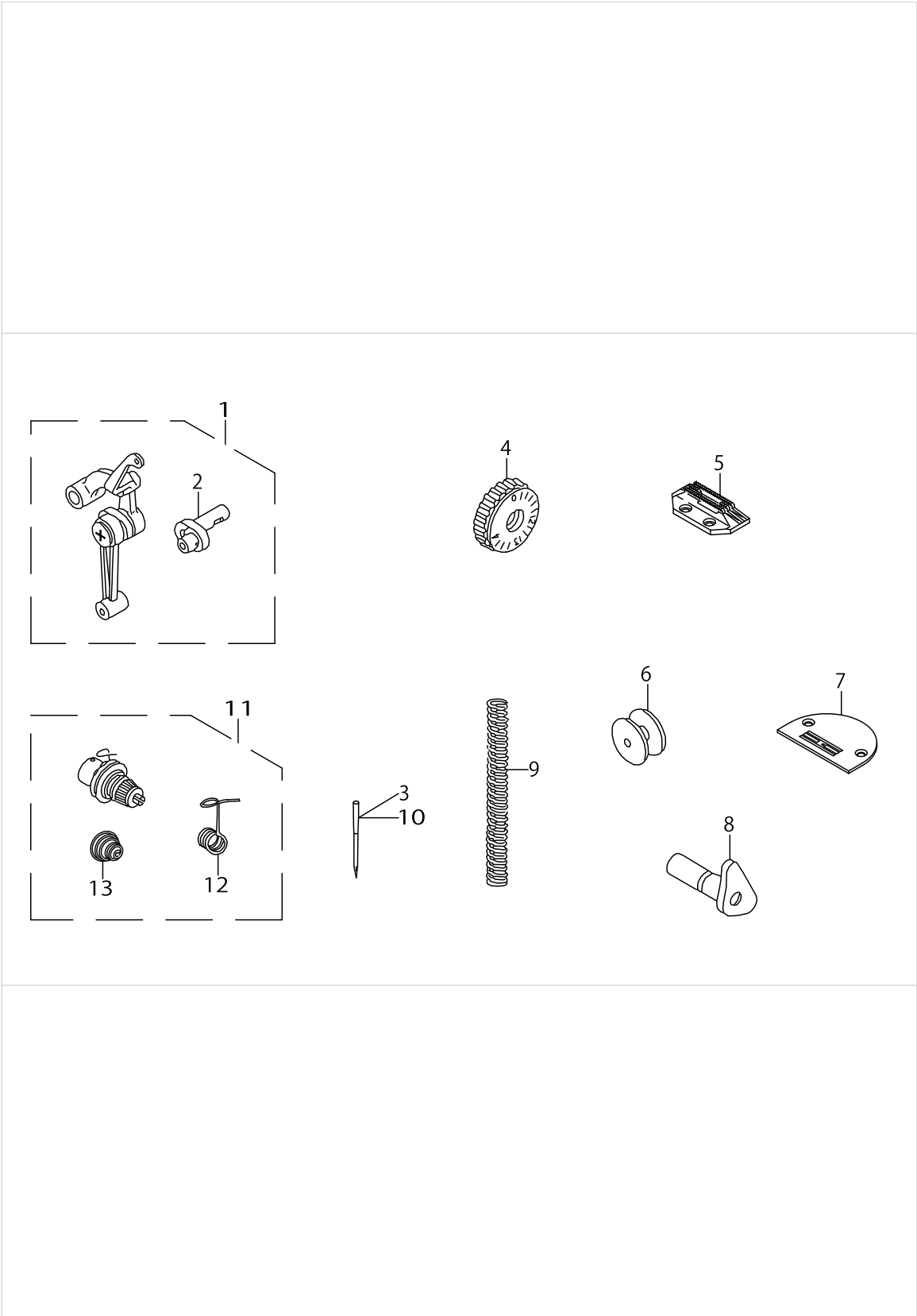
EXCLUSIVE PARTS FOR DDL-5550NH



EXCLUSIVE PARTS FOR DDL-5550NH

No.	Parts No.	Parts name	Remarks	Level	Cons	Qty
1	11091659	LINK THREAD TAKE-UP LEVER ASM.				1
2	11091600	NEEDLE BAR CRANK H		*		1
3	22958300	NEEDLE THREAD GUIDE PIN				1
4	11091303	NEEDLE BAR				1
5	B1505552000A	PRESSER SPRING				1
6	22962054	THREAD TENSION ASM.				1
7	22962005	THREAD TENSION SPRING		*		1
8	11091006	ARM THREAD GUIDE (HA)				1
9	11091204	ADJUST LINK SPRING				1
10	B1403553000	NEEDLE BAR BUSHING, LOWER				1
11	40023223	NEEDLE BAR THREAD GUIDE				1
12	11091709	POSITIONING FINGER				1
13	B1109555H0B	THROAT PLATE (H)				1
14	B1613555H00	FEED DOG (H)				1
15	B1213552000A	OIL ADJUSTING PIN				1
16	11092459	LUBRICATING HOOK ASM.				1
17	SS6080320SP	SCREW 1/8-44 L= 2.5				1
18	MC200501300	NEEDLE 134 NM130	FOR JE			1
19	MDB100B2100	NEEDLE DBX1 #21				1
20	D1524555EBL	PRESSER FOOT ASM.				1
21	11091907	FEED SPRING HOOK				1

EXCLUSIVE PARTS FOR DDL-5550NA



EXCLUSIVE PARTS FOR DDL-5550NA

No.	Parts No.	Parts name	Remarks	Level	Cons	Qty
1	11091857	LINK THREAD TAKE-UP LEVER ASM.				1
2	11091808	NEEDLE BAR CRANK A		*		1
3	MC200500650	NEEDLE 134 NM65	FOR JE			1
4	11072006	FEED DIAL				1
5	B1613012I00	FEED DOG I				1
6	22964001	BOBBIN A				1
7	B1109012I0B	THROAT PLATE (I)				1
8	11092558	HAND LIFTER CAM ASM.				1
9	B1505227T00A	PRESSER SPRING T				1
10	MDA100B0900	NEEDLE DAX1 #9				1
11	40011503	THREAD TENSION ASM.				1
12	40054784	THREAD TAKE-UP SPRING		*		1
13	40054785	THREAD TENSION SPRING		*		1

HOW TO MAKE USE OF THIS PARTS LIST

1.Explanation of codes

1)"*"mark.....means this part is changed from the previous parts book.

As to the details of the change, refer to the "List for information of change".

2)"#01".....refer to "Note" explanation at bottom of page.

2.Codes on the "Qty" column

- Each numeral indicates the number of parts required.
- "0.1" and "2.5" indicate the length (in meters) of the respective parts.

3.Parentheses mean that the corresponding part is a subpart that constructs an assembly part.

4.Dotted lines on the Figures indicate assembly parts.

1."注記"欄の記号説明

1) "*"印.....前回のパーツブックに比較して今回変更された部品を意味します。

変更内容は、"変更情報リスト"を参照してください。

2) "#01".....ページ下の"注記"の説明を参照してください。

2.数量欄の数字は、個数を表し、0.1、2.5等の数値は、長さ（単位メートル）を表します。

3.数量欄の（ ）は、組部品を構成している子部品であることを意味します。

4.イラストページの-----枠は、組構成であることを意味します。

NUMERICAL INDEX OF PARTS

PART NO	PAGE	REF NO.	PART NO	PAGE	REF NO.	PART NO	PAGE	REF NO.
11000304	2	2	22901250	2	41·51	22911101	12	13
11002409	6	20	22901300	2	43	22911309	12	22
11002508	6	21	22901409	8	1	22911408	12	1
11002904	6	28	22901805	4	49	22911507	12	2
11003308	2	9	22902753	4	41·51	22911606	12	4
11004207	8	26	22903009	6	31	22911705	12	5
11005204	6	7	22903108	6	15	22911804	12	7
11006004	10	28	22903157	6	10	22911903	12	10
11007309	10	8	22903207	6	25	22912000	12	9
11008604	12	26	22903306	6	27	22912109	12	8
11008703	12	25	22903900	6	32	22912257	12	19
11010311	12	17	22904155	6	23	22912604	14	64
11010410	12	20	22904155	14	66	22912752	14	59
11010709	14	65	22905004	8	23	22912901	12	39
11011400	14	12·58	22905103	8	25	22913008	14	62
11015906	8	39	22906002	8	3	22913701	12	38
11018207	10	18	22906101	8	2	22915003	12	15
11023017	18	2	22906200	8	8	22915151	12	45
11024700	18	3	22906309	8	10	22915201	14	48
11028172	10	16	22906457	8	4	22915359	14	68
11039062	6	5	22907307	10	30	22916001	8	31
11039070	6	4	22907406	10	27	22916100	8	35
11047057	18	1	22907505	10	26	22916308	8	27
11047107	18	4	22907554	10	24	22916407	8	32
11070851	2	1	22907604	10	25	22916506	8	40
11071362	6	29	22907703	10	36	22916555	8	38
11072006	26	4	22907802	10	1	22917058	8	36
11091006	24	8	22908008	10	7	22917157	8	29
11091204	24	9	22908156	10	5	22919203	6	3
11091303	24	4	22908305	10	9	22919559	6	2
11091600	24	2	22908354	10	4	22920003	10	22
11091659	24	1	22908552	10	10	22920102	10	23
11091709	24	12	22908701	10	11	22920300	10	21
11091808	26	2	22908800	10	14	22920409	10	19
11091857	26	1	22908909	10	12	22920508	2	21
11091907	24	21	22909006	10	15	22920607	2	37
11092459	24	16	22910004	6	18	22920706	2	17
11092558	26	8	22910053	6	16	22920805	8	7
11141108	8	43	22910103	6	34	22920904	2	34
11415205	2	47	22910251	12	12·58	22921001	2	22
22900401	2	8	22910350	12	43	22921209	2	29
22900609	2	18	22910459	12	27	22921308	2	24
22900757	2	4	22910806	12	23	22921407	2	25
22901003	2	45	22910905	12	24	22921506	2	28
22901201	2	42	22911002	12	40	22921605	2	30

NUMERICAL INDEX OF PARTS

PART NO	PAGE	REF NO.	PART NO	PAGE	REF NO.	PART NO	PAGE	REF NO.
22921704	2	26	22931307	22	11	40090058	8	6
22921803	2	27	22931406	22	8	B1109012A00	2	35
22923007	16	19	22931703	18	27	B1109012I0B	26	7
22923056	16	16	22932107	18	8	B1109552000	2	46
22923205	16	22	22932156	18	7	B1109555H0B	24	13
22923304	16	17	22932206	18	15	B1213552000A	24	15
22923403	16	24	22932305	18	17	B1215552000	6	26
22923502	16	26	22932404	18	12	B13050120A0	8	14
22923601	16	25	22932453	18	11	B13061550A0	8	16
22923700	16	20	22932503	2	13	B13061550B0	8	13
22923809	16	23	22932552	2	12	B13061550C0	8	12
22923908	16	27	22932602	2	14	B13071550A0	8	19
22924005	16	29	22932701	2	15	B13071550B0	8	18
22924153	16	8	22932909	8	41	B13081550A0	8	21
22924302	16	9	22933402	20	2	B1403553000	24	10
22924401	16	3	22933451	20	1	B1408552000	6	8
22924500	16	11	22933501	20	3	B1505227T00A	26	9
22924609	16	5	22933600	20	5	B1505552000A	24	5
22924708	16	1	22933659	20	4	B1521555000	10	2
22924807	16	12	22933758	20	6	B15240120BA	10	35
22924906	16	14	22933907	20	7	B15245520BA	10	20
22925002	16	15	22934004	20	8	B1613012A00	12	33
22925101	16	7	22934202	18	20	B1613012I00	12	28
22927305	20	27	22934251	18	19	B1613012I00	26	5
22927354	20	13	22934301	18	21	B1613555H00	24	14
22927404	20	28	22934400	18	25	B1636581C00	14	52
22927602	20	29	22934509	18	23	B18301270A0	8	24
22928105	20	22	22934608	18	24	B18370120A0	8	42
22928303	20	21	22934707	18	13	B1903552000	6	9
22928402	20	20	22940654	14	55	B1905541B00	6	6
22928501	20	14	22940803	12	31	B8228125000	18	26
22928709	20	26	22941306	12	36	CM300200001	4	48
22928808	20	18	22945307	2	31	CM301300001	4	50
22928907	20	16	22945356	2	23	CQ252000000	16	10
22929004	20	17	22958300	24	3	D1524555EBL	24	20
22930309	22	14	22962005	24	7	MC200500650	26	3
22930358	22	1	22962054	24	6	MC200500900	8	34
22930408	22	10	22964001	26	6	MC200501300	24	18
22930507	22	9	22971857	12	35	MDA100B0900	26	10
22930556	22	15	40011503	26	11	MDB100B1400	8	11
22930705	22	7	40017805	10	29	MDB100B2100	24	19
22930804	22	5	40023223	24	11	NM6050001SE	22	17
22930903	22	4	40054784	26	12	NM6060001SE	18	18
22931000	22	3	40054785	26	13	NM6160511SE	22	18
22931109	22	2	40060989	10	33	NS6680410SP	12	42

NUMERICAL INDEX OF PARTS

PART NO	PAGE	REF NO.	PART NO	PAGE	REF NO.
RC0150001KP	12	54	SS6090910SP	10	32
RC0150001KP	14	54	SS6110420TP	8	30
RC1850001KP	6	22	SS6110610TP	2	38
RE0500000K0	10	37	SS6111010TP	16	28
RE0500000K0	12	21	SS6121860SP	12	11
RE1000000K0	18	16	SS6661110SP	6	17
RO029180100	6	33	SS6700710SH	18	5
RO037180100	10	3	SS7080510TP	8	9
RO044240100	6	13	SS7081310SP	20	24
RO078190100	14	63	SS7091110TP	10	34
RO092270200	12	16	SS7110350SP	20	19
RO098240100	18	6	SS7110740TP	14	53
RO195240100	16	2	SS7111120SP	14	69
SD0380552SL	2	16	SS7120770SH	12	6
SD0490261SP	20	23	SS7121410TP	12	56
SD0720331SP	10	13	SS7121410TP	14	56
SD1000801SH	12	47	SS7121610SP	12	46
SE4301041SR	16	21	SS7681650TP	6	14
SK3412000SC	20	30	SS8090670SP	2	32
SL4030851SF	16	18	SS8110410TP	8	37
SM4051405SE	22	12	SS8110510SP	20	25
SM6061610SC	22	6	SS8150710TP	2	33
SM8061010TP	14	60	SS8150710TP	12	29
SM8061050TP	14	61	SS8151150TP	6	1
SM8063012TR	18	10	SS8151550SP	6	30
SM9061203SE	18	22	SS8660610TP	6	24
SM9062563TR	18	14	SS8660610TP	14	67
SS2110920TP	2	36	SS8660810TP	8	22
SS4080620TP	12	34	SS8660810TP	10	31
SS4090615SP	6	19	SS8681650TP	6	11
SS4110515SP	12	37	TA0850604R0	2	5
SS4110515SP	20	15	TA1250406R0	2	39
SS4110915TP	8	33	TA1250705R0	2	6
SS4120615SP	2	20	TA2000502R0	2	10
SS4120615SP	16	6	TA2101002R0	2	11
SS4120915SP	2	40	WP0450826SC	20	31
SS4120915SP	8	28	WP0480856SP	14	57
SS4121415SP	20	9	WP0501016SD	20	10
SS4150915SP	16	13	WP1612616SE	22	19
SS6060210SP	2	44	WS0510002KN	22	16
SS6080320SP	24	17	WS1643202KR	22	20
SS6080410SP	2	3			
SS6090620TP	12	41			
SS6090670TP	8	5			
SS6090670TP	12	3			