

MODEL : DDL-5571N/DDL-5581N

List No : 0915-08

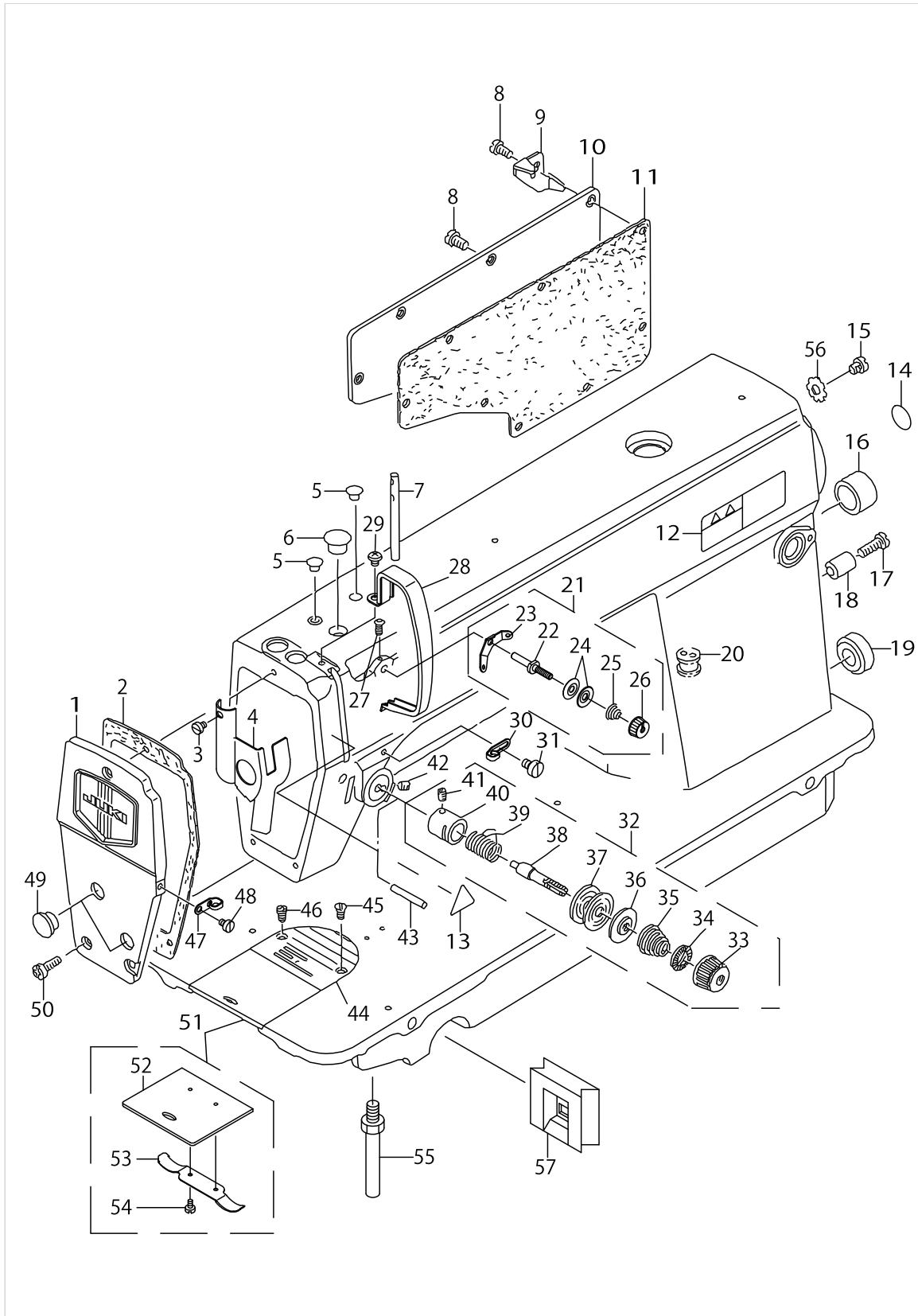
PARTS LIST

Published:09/10/2017

CONTENTS

MACHINE FRAME & MISCELLANEOUS COVER COMPONENTS	1
MAIN SHAFT COMPONENTS	5
NEEDLE BAR, UPRIGHT SHAFT & HOOK DRIVING SHAFT COMPONENTS	7
HAND LIFTER COMPONENTS	9
FEED MECHANISM COMPONENTS.....	11
THREAD TRIMMER COMPONENTS	15
AUTOMATIC REVERSE FEED COMPONENTS.....	19
WIPER COMPONENTS.....	21
OIL LUBRICATION COMPONENTS	23
OIL RESERVOIR COMPONENTS	25
BELT COVER & BOBBIN WINDER COMPONENTS	27
THREAD STAND COMPONENTS.....	29
EXCLUSIVE PARTS FOR DDL-5571N-H.....	31
EXCLUSIVE PARTS FOR DDL-5571N-A, 5581N-A.....	35
EXCLUSIVE PARTS FOR DDL-5571N-K, 5581N-K	37
EXCLUSIVE PARTS FOR DDL-5571N-M, 5581N-M.....	39
EXCLUSIVE PARTS FOR DDL-5571NU.....	41
LIST FOR INFORMATION OF CHANGE (1).....	43
LIST FOR INFORMATION OF CHANGE (2).....	44
HOW TO MAKE USE OF THIS PARTS LIST	45

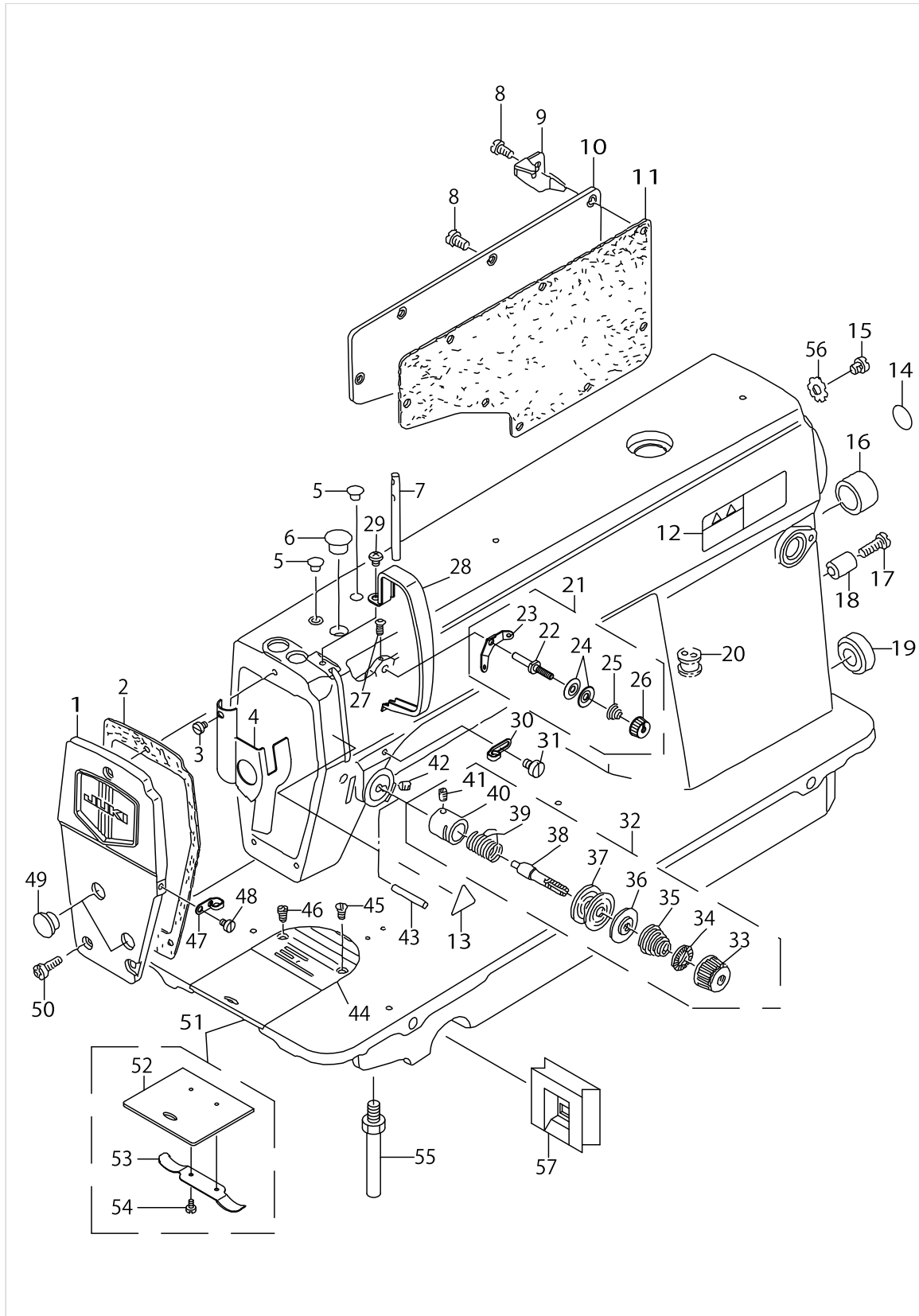
MACHINE FRAME & MISCELLANEOUS COVER COMPONENTS



MACHINE FRAME & MISCELLANEOUS COVER COMPONENTS

No.	Parts No.	Parts name	Remarks	Level	Cons	Qty
1	11070851	FACE PLATE ASM.				1
2	11000304	FACE PLATE GASKET				1
3	SS6080410SP	SCREW 1/8-44 L=4				1
4	22900757	FACE PLATE OIL SHIELD ASM.				1
5	TA0850604R0	RUBBER PLUG				2
6	TA1250705R0	RUBBER PLUG				1
7	22958300	NEEDLE THREAD GUIDE PIN				1
8	SS4120915SP	SCREW 3/16-28 L=9				8
9	22954705	CORD FIXING METAL FITTING				1
10	22900401	WINDOW PLATE				1
11	11003308	WINDOW PLATE GASKET				1
12	CM301300001	SAFETY LABEL				1
13	CM300200001	ATTENTION SEAL				1
14	22901805	GROUND MARK				1
15	SS4120615SP	SCREW 3/16-28 L=6				1
16	TA2000502R0	RUBBER PLUG				1
17	SS6121840SP	SCREW 3/16-28 L=18				1
18	22952501	BACK LEVER STOPPER				1
19	TA2101002R0	RUBBER PLUG				1
20	40111022	MAGNET CORD RUBBER				1
21	22945463	THREAD TENSION ASM. NO.1				1
22	22945406	THREAD TENSION POST		*		1
23	22945604	THREAD TENSION GUIDE		*		1
24	22945802	THREAD TENSION DISK		*		2
25	22945505	THREAD TENSION SPRING		*		1
26	22945703	THREAD TENSION NUT		*		1
27	SS4120615SP	SCREW 3/16-28 L=6				1
28	22900609	THREAD TAKE-UP LEVER COVER				1
29	SS4120615SP	SCREW 3/16-28 L=6				1
30	22920508	ARM THREAD GUIDE A				1
31	22921001	SCREW				1
32	22945356	THREAD TENSION ASM.				1
33	22921308	THREAD TENSION NUT		*		1
34	22921407	ROTATION STOPPER		*		1
35	22921704	THREAD TENSION SPRING A		*		1
36	22921803	DISK STOPPER		*		1
37	22921506	THREAD TENSION DISK		*		2
38	22921209	THREAD TENSION POST		*		1
39	22921605	THREAD TAKE-UP SPRING		*		1
40	22945307	THREAD TENSION POST BASE		*		1
41	SS8090670SP	SCREW 9/64-40 L=5.5		*		1
42	SS8150710SP	SCREW 15/64-28 L=7				1
43	22920904	TENSION RELEASING				1
44	11028008	THROAT PLATE				1
45	SS2110920TP	SCREW 11/64-40 L=8.5				1
46	SS2110915SP	SCREW 11/64-40 L=8.5				1
47	22920607	ARM THREAD GUIDE B				1

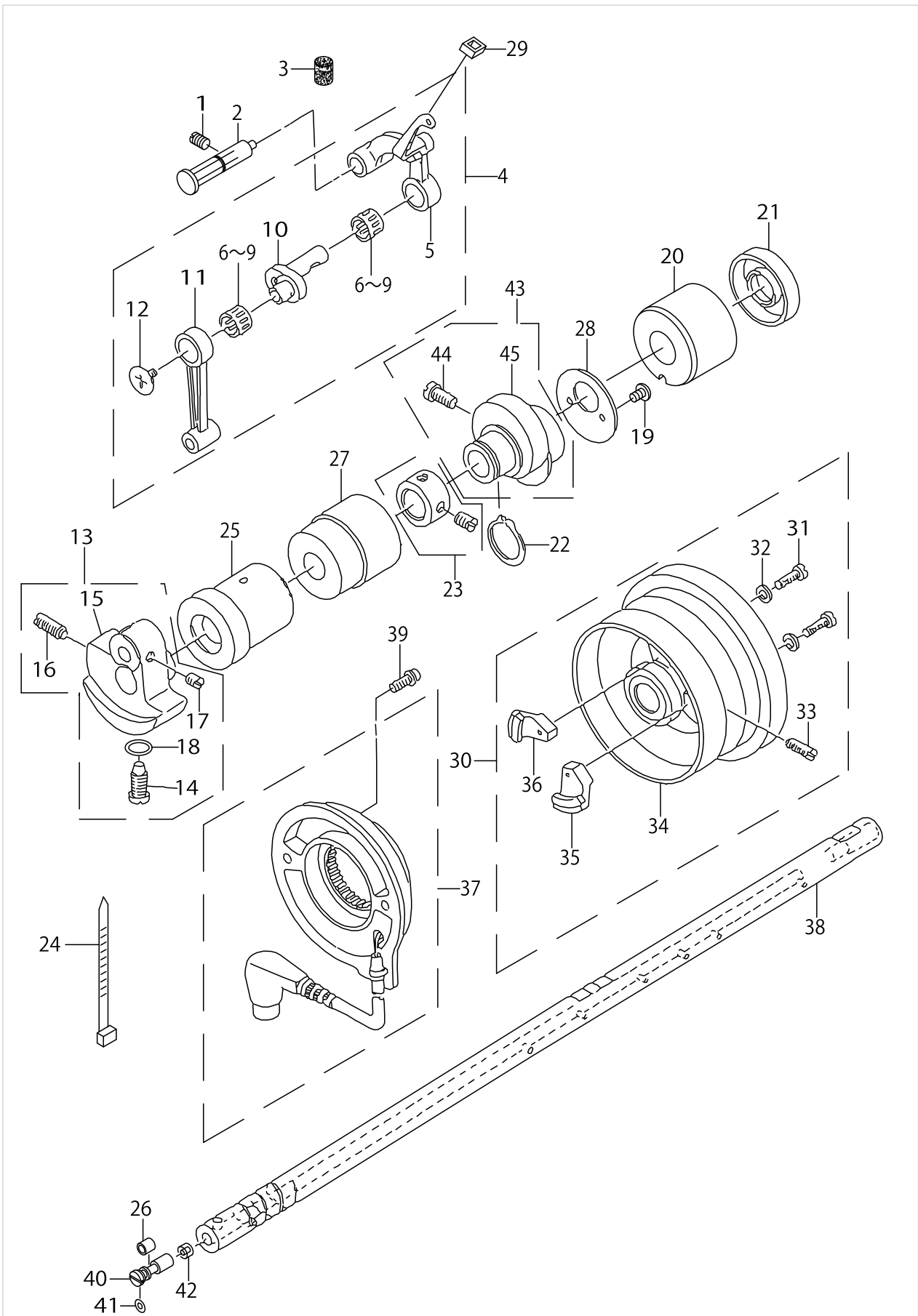
MACHINE FRAME & MISCELLANEOUS COVER COMPONENTS



MACHINE FRAME & MISCELLANEOUS COVER COMPONENTS

No.	Parts No.	Parts name	Remarks	Level	Cons	Qty
48	SS6110610TP	SCREW 11/64-40 L=6				1
49	TA1250406R0	RUBBER PLUG D=12.5 L=4				2
50	SS4120915SP	SCREW 3/16-28 L=9				3
51	22901250	SLIDE PLATE ASM.				1
52	22901201	SLIDE PLATE		*		1
53	22901300	SLIDE PLATE SPRING		*		1
54	SS6060210SP	SCREW 3/32-56 L=1.9		*		2
55	22901003	BED SCREW STUD				4
56	WT0530002KS	TOOTHED WASHER D=5.3				1
57	22935407	BED OIL SHIELD RUBBER				1

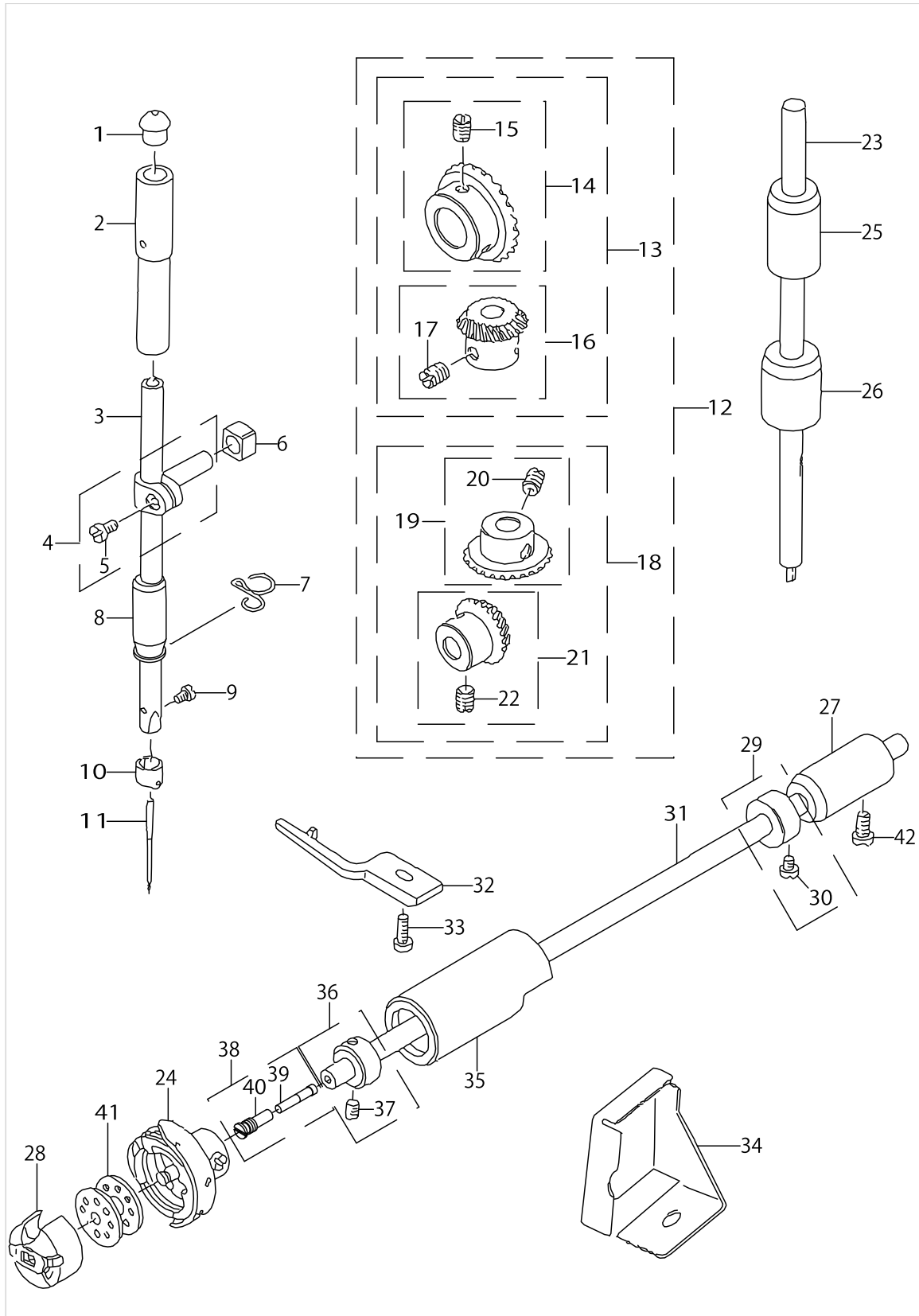
MAIN SHAFT COMPONENTS



MAIN SHAFT COMPONENTS

No.	Parts No.	Parts name	Remarks	Level	Cons	Qty
1	SS8151150TP	SCREW 15/64-28 L=10.5				1
2	11039351	CRANK SHAFT ASM.				1
3	11039203	FELT				1
4	22918072	THREAD TAKE-UP LEVER COMPL.				1
5	22918064	THREAD TAKE-UP LEVER ASM.		*		1
6	22918403	NEEDLE BEARING A	SELECTING PART(A~D)	*		2
7	22918502	NEEDLE BEARING B	SELECTING PART(A~D)	*		2
8	22918601	NEEDLE BEARING C	SELECTING PART(A~D)	*		2
9	22918700	NEEDLE BEARING D	SELECTING PART(A~D)	*		2
10	22918106	NEEDLE BAR CRANK		*		1
11	22906606	NEEDLE BAR CRANK ROD		*		1
12	22918304	LEFT SCREW		*		1
13	40106606	COUNTER_WEIGHT_ASM.				1
14	SS7681650TP	SCREW 9/32-28 L=16		*		1
15	40106607	COUNTER_WEIGHT		*		1
16	SS8681650TP	SCREW 9/32-28 L=16		*		1
17	SS8660610TP	SCREW 1/4-40 L=6		*		2
18	RO044240100	RUBBER RING		*		1
19	SS4090615SP	SCREW 9/64-40 L=6				2
20	11002409	MAIN SHAFT BUSHING REAR				1
21	40105231	OIL SEAL				1
22	RC1850001KP	SNAP RING 18.5				1
23	22904155	MAIN SHAFT THRUST COLLAR ASM.				1
24	EA9500B0100	CABLE BAND				1
25	22903207	MAIN SHAFT BUSHING FRONT				1
26	B1215552000	OIL ADJUSTING COLLAR				1
27	22903306	BUSHING INTERMEDIATE				1
28	22910103	THRUST COLLAR				1
29	22919203	OIL PROTECTING RUBBER				1
30	11071495	HAND WHEEL ASM.				1
31	SS6111210SP	SCREW 11/64-40 L=12		*		2
32	WP0450801SD	WASHER 4.5X10X0.8		*		2
33	SS8151550SP	SCREW 15/64-28 L=15		*		2
34	11071453	HAND WHEEL ASM.		*		1
35	M40071100AA	MAGNET FITTING BASE A ASM.		*		1
36	M40071100AB	MAGNET FITTING BASE B ASM.		*		1
37	22937965	DYNAMO STATOR				1
38	22903009	MAIN SHAFT				1
39	SL4051001MZ	SCREW M5 L=9.6				2
40	22903900	ADJUSTING PIN				1
41	RO029180100	RUBBER RING				1
42	11002904	ROLLER FELT				1
43	22910053	FEED DRIVE ECCENTRIC CAM ASM.				1
44	SS6661110SP	SCREW 1/4-40 L=11		*		2
45	22910004	FEED DRIVE ECCENTRIC CAM		*		1

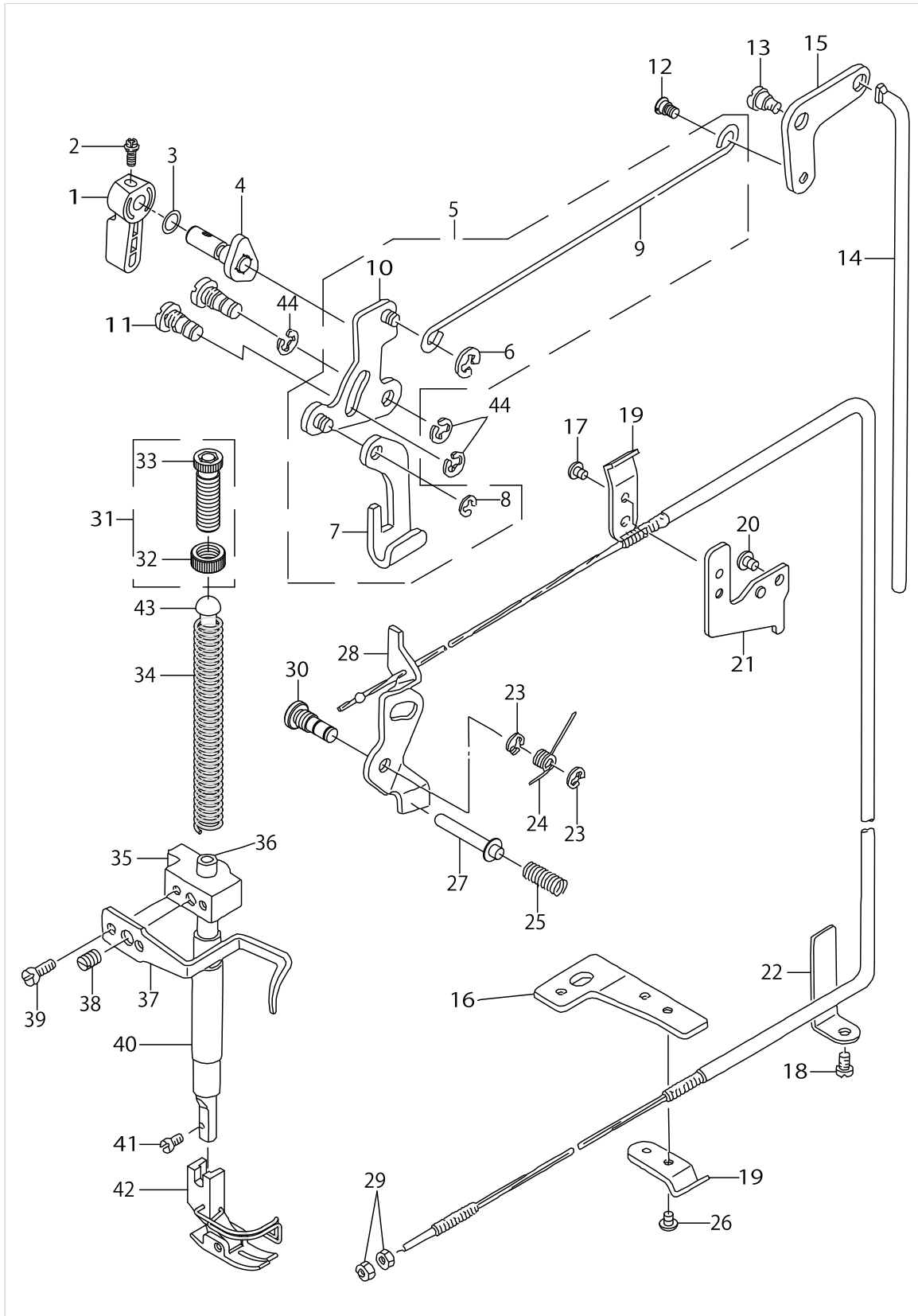
NEEDLE BAR, UPRIGHT SHAFT & HOOK DRIVING SHAFT COMPONENTS



NEEDLE BAR, UPRIGHT SHAFT & HOOK DRIVING SHAFT COMPONENTS

No.	Parts No.	Parts name	Remarks	Level	Cons	Qty
1	22901409	NEEDLE BAR UPPER BUSH CAP				1
2	22906101	NEEDLE BAR BUSHING UPPER				1
3	11035003	NEEDLE BAR				1
4	22906457	NEEDLE BAR HOLDER ASM.				1
5	SS6090670TP	SCREW 9/64-40 L=6		*		1
6	40090058	SLIDE BLOCK				1
7	22920805	NEEDLE BAR THREAD GUIDE				1
8	22906200	NEEDLE BAR BUSHING LOWER				1
9	SS7080510TP	SCREW 1/8-44 L=4.5				1
10	22906309	NEEDLE BAR THREAD GUIDE				1
11	MDB100B1100	NEEDLE DBX1 #11				1
12	B13061550C0	GEAR & PINION ASM.				1
13	B13061550B0	GEAR & PINION ASM. UPPER		*		1
14	B13050120A0	GEAR ASM.		*		1
15	SS8660810TP	SCREW 1/4-40 L=8		*		2
16	B13061550A0	PINION ASM.		*		1
17	SS8660810TP	SCREW 1/4-40 L=8		*		2
18	B13071550B0	GEAR & PINION ASM. LOWER		*		1
19	B13071550A0	GEAR ASM. LARGE		*		1
20	SS8660810TP	SCREW 1/4-40 L=8		*		2
21	B13081550A0	PINION ASM.		*		1
22	SS8660810TP	SCREW 1/4-40 L=8		*		2
23	22905004	UPRIGHT SHAFT				1
24	11038650	HOOK ASM.				1
25	22905103	UPRIGHT SHAFT BUSHING UPPER				1
26	11004207	UPRIGHT SHAFT BUSHING LOWER				1
27	22916308	HOOK DRIVING SHAFT BUSH REAR				1
28	11038759	BOBBIN CASE ASM.				1
29	22917157	THRUST COLLAR ASM. REAR				1
30	SS6110420TP	SCREW 11/64-40 L=4.8		*		2
31	22916001	HOOK DRIVING SHAFT				1
32	11038809	BOBBIN CASE HOLDER				1
33	SS4110915TP	SCREW 11/64-40 L=9				1
34	22942601	OIL SHIELD				1
35	22916100	HOOK DRIVING SHAFT BUSH FRONT				1
36	22917058	THRUST COLLAR ASM. FRONT				1
37	SS8110410TP	SCREW 11/64-40 L=3.5		*		2
38	22916555	OIL SEAL SCREW ASM.				1
39	11015906	OIL WICK		*		1
40	22916506	SET SCREW		*		1
41	22932909	BOBBIN				1
42	SS4120915SP	SCREW 3/16-28 L=9				1

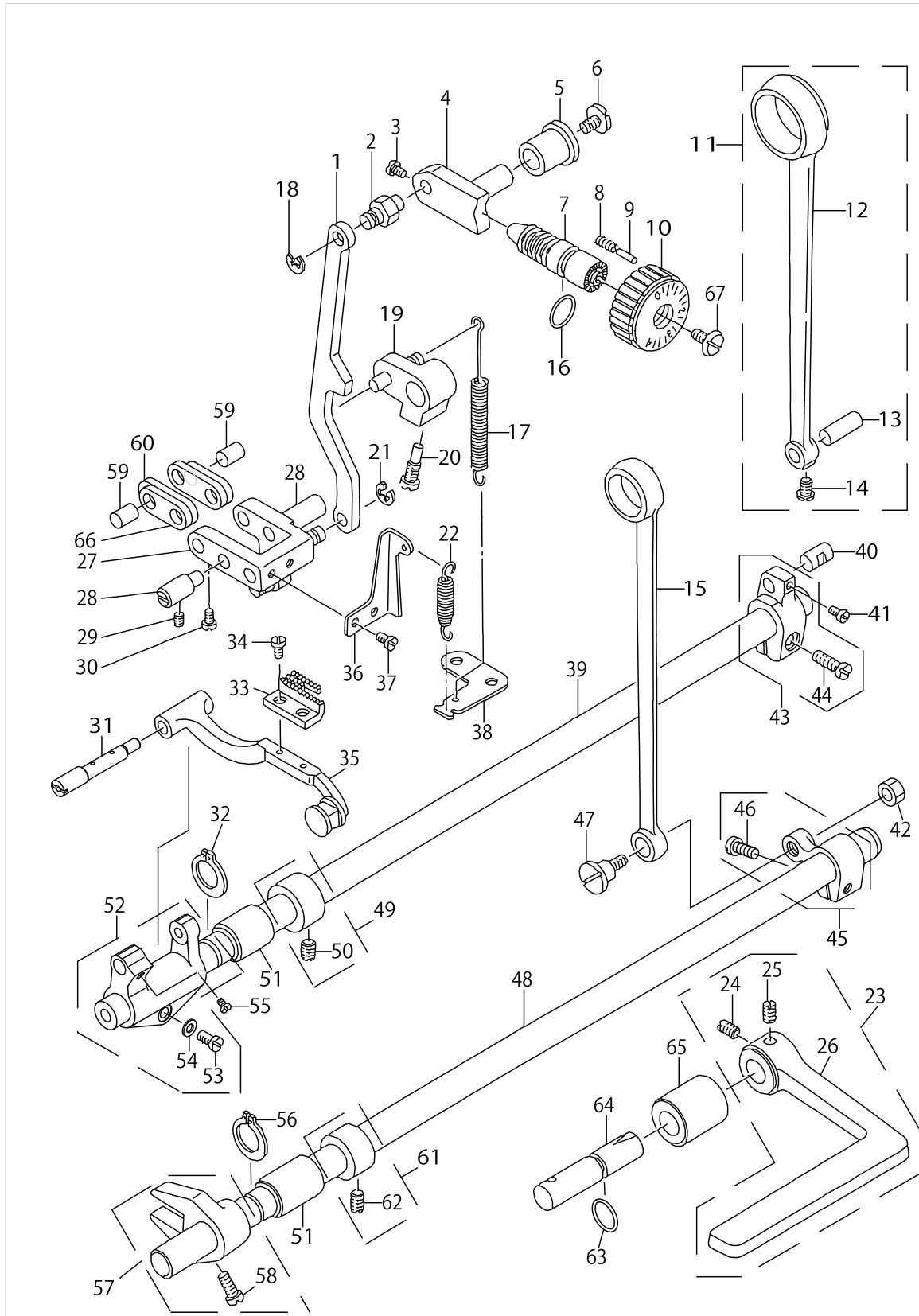
HAND LIFTER COMPONENTS



HAND LIFTER COMPONENTS

No.	Parts No.	Parts name	Remarks	Level	Cons	Qty
1	22907802	HAND LIFTER				1
2	B1521555000	SCREW				1
3	RO037180100	RUBBER RING				1
4	22908552	HAND LIFTER CAM ASM.				1
5	22908354	KNEE LIFTING CROSS ROD ASM.				1
6	RE0500000K0	E-RING		*		1
7	22908008	LIFTING PLATE		*		1
8	RE0500000K0	E-RING		*		1
9	22908305	KNEE LIFTER SIDE ROD		*		1
10	22908156	LIFTING LINK ASM.		*		1
11	22908701	LIFTING LINK SHAFT				2
12	22908909	HINGE SCREW				1
13	SD0720331SP	HINGE SCREW D=7.24 H=3.3				1
14	22909006	KNEE LIFTER CONNECTING ROD				1
15	22908800	KNEE LIFTER LINK				1
16	22944706	WIRE PRESSER BASE LOWER				1
17	SS4110515SP	SCREW 11/64-40 L=5				1
18	SS4120615SP	SCREW 3/16-28 L=6				1
19	22944508	WIRE PRESSER A				2
20	SS4120615SP	SCREW 3/16-28 L=6				1
21	22944607	WIRE PRESSER BASE UPPER				1
22	22945109	WIRE CABLE SUPPORT				1
23	RE0500000K0	E-RING				2
24	22920201	RETURN SPRING				1
25	22920409	THREAD RELEASE PIN SPRING				1
26	SS4110515SP	SCREW 11/64-40 L=5				1
27	22920300	THREAD RELEASE SUPPORTING PIN				1
28	22944854	THREAD RELEASE WIRE ASM.				1
29	NS6620310SP	NUT 3/16-32				2
30	22920102	THREAD RELEASE SHAFT				1
31	22907554	FEED REGULATOR SCREW NUT ASM.				1
32	22907604	PRESSER SPRING REGULATOR NUT		*		1
33	22907505	PRESSER SPRING REGULATOR		*		1
34	22907406	PRESSER SPRING				1
35	22907208	PRESSER BAR GUIDE BRACKET				1
36	40017805	PRESSER BAR				1
37	22907307	THREAD GUIDE				1
38	SS8660810TP	SCREW 1/4-40 L=8				1
39	SS6090810SP	SCREW 9/64-40 L=7.5				2
40	40060989	PRESSER BAR BUSHING LOWER				1
41	SS7091110SP	SCREW 9/64-40 L=10.5				1
42	11028172	PRESSER FOOT ASM.				1
43	22907703	PRESSER GUIDE BAR				1
44	RE0500000K0	E-RING				3

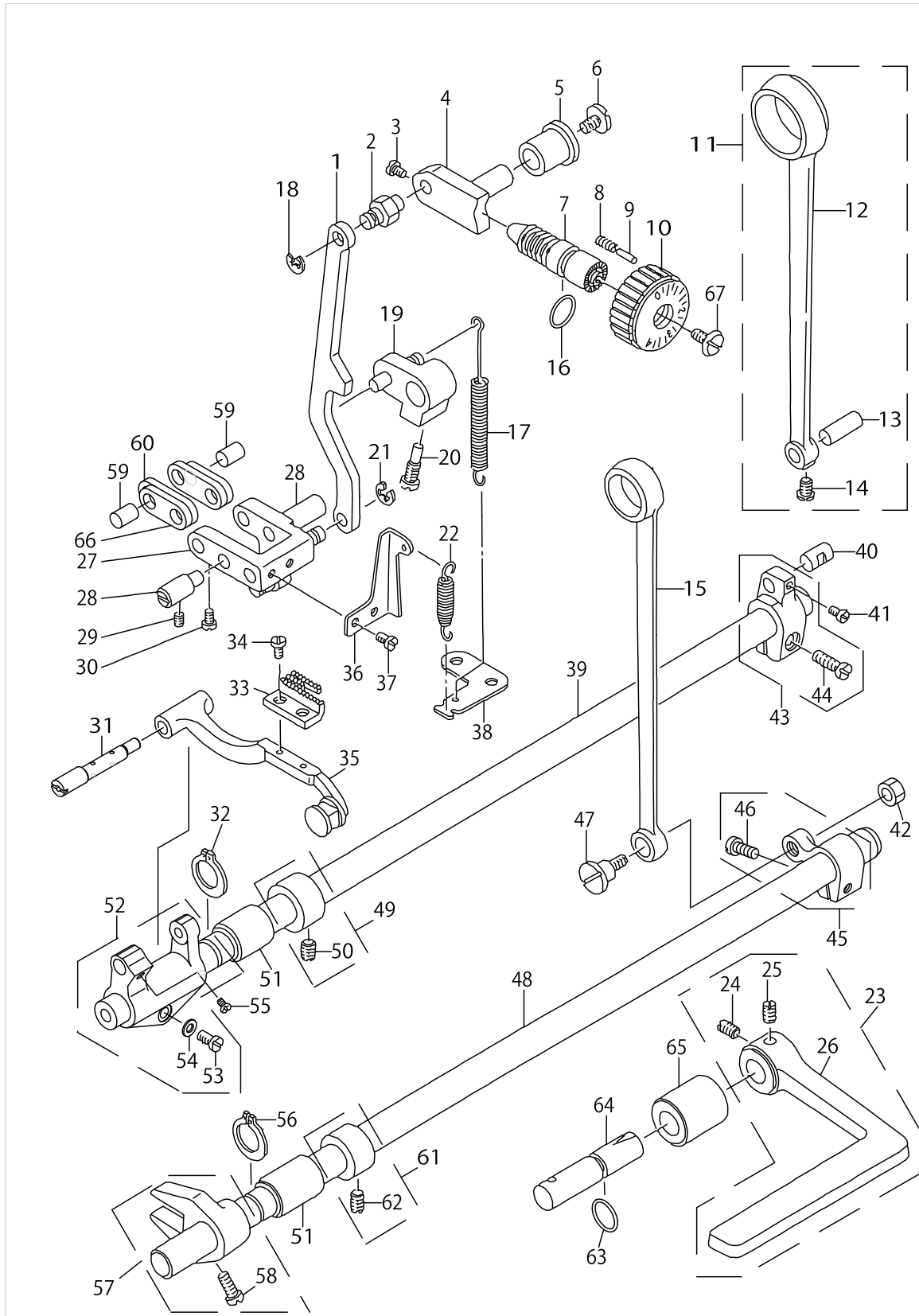
FEED MECHANISM COMPONENTS



FEED MECHANISM COMPONENTS

No.	Parts No.	Parts name	Remarks	Level	Cons	Qty
1	22941108	FEED ADJUST ROD				1
2	22911507	WALKING FOOT PIN C				1
3	SS6090670TP	SCREW 9/64-40 L=6				2
4	22911606	FEED REGULATOR				1
5	11009800	FEED REGULATOR BUSHING				1
6	SS7120770SH	SCREW 3/16-28 L=7				1
7	22911804	FEED REGULATOR SCREW				1
8	22912109	FEED REGULATOR PIN SPRING				1
9	22912000	FEED REGULATOR PIN				1
10	22940506	FEED DIAL				1
11	22910251	ROCKERSHAFTCONNECTINGRODASM.				1
12	22910202	ROCKER SHAFT CONNECTING ROD		*		1
13	22911101	WALKING FOOT PIN C		*		1
14	SS6090620TP	SCREW		*		1
15	22915003	CONNECTING ROD				1
16	RO092270200	RUBBER RING				1
17	11010311	FEED REVERSE SPRING				1
18	RE0500000K0	E-RING				1
19	22912257	FEED REVERSE ARM ASM.				1
20	22912505	FEED REVERSE ARM SCREW				1
21	RE0500000K0	E-RING				1
22	11037405	SPRING				1
23	22912752	FEED LEVER ASM.				1
24	SM8061010TP	SCREW M6 L=10		*		1
25	SM8061050TP	SCREW M6 L=10		*		1
26	22912703	FEED LEVER		*		1
27	22940951	FEED ADJUST LINK ASM.				1
28	22910806	ADJUST LINK FULCRUM SHAFT A				2
29	SS8150710TP	SCREW 15/64-28 L=7				2
30	SS6090620TP	SCREW				2
31	22940803	FEED BAR SHAFT				1
32	RC0150001KP	RETAINING RING 13.8				1
33	B1613012A00	FEED DOG A				1
34	SS4080620TP	SCREW 1/8-44 L=6				2
35	22940753	FEED BAR ASM.				1
36	22941306	REGULATOR LINK SPRING HOOK				1
37	SS4110515SP	SCREW 11/64-40 L=5				2
38	22913701	FEED SPRING HOOK				1
39	22912901	FEED ROCKER SHAFT				1
40	22911002	WALKING FOOT PIN B				1
41	SS6090620TP	SCREW				1
42	NS6680410SP	NUT 9/32-28				1
43	22910350	FEED ROCKER SHAFT CRANK ASM.				1
44	SS6121610SP	SCREW 3/16-28 L=15.5		*		1
45	22915151	FEED ARM COMPL.				1
46	SS6121210SP	SCREW 3/16-28 L=12		*		1
47	SD1000801SH	HINGE SCREW D=10 H=8				1

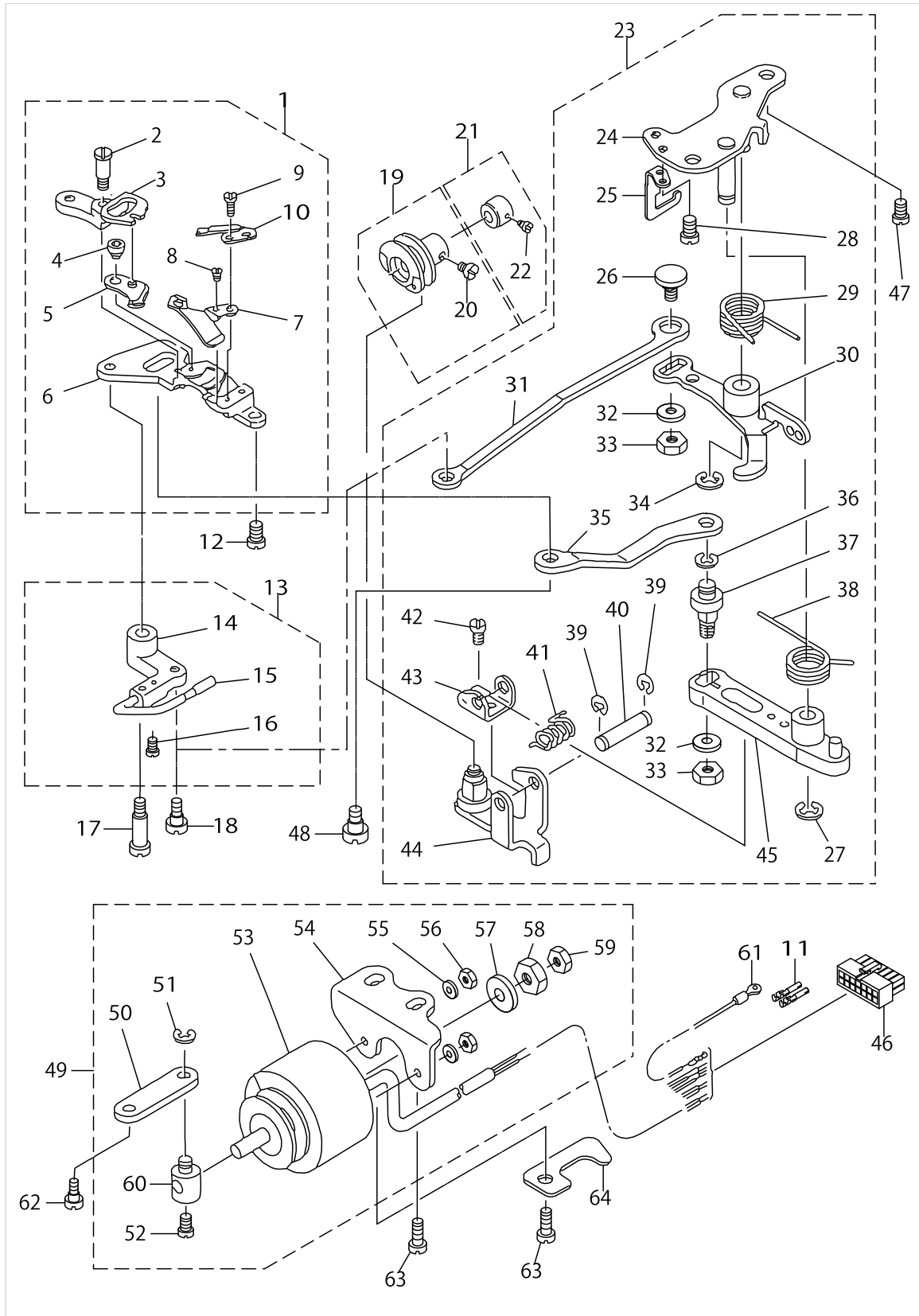
FEED MECHANISM COMPONENTS



FEED MECHANISM COMPONENTS

No.	Parts No.	Parts name	Remarks	Level	Cons	Qty
48	22915201	FEED DRIVING SHAFT				1
49	22904155	MAIN SHAFT THRUST COLLAR ASM.				1
50	SS8660610TP	SCREW 1/4-40 L=6		*		2
51	22913008	FEED ROCKER SHAFT BUSHING				2
52	22940654	FEED ROCKER ASM.				1
53	SS7121410TP	SCREW 3/16-28 L=14		*		1
54	WP0480856SP	WASHER 4.8X8.4X0.8		*		1
55	SS7110740TP	SCREW 11/64-40 L=7				1
56	RC0150001KP	RETAINING RING 13.8				1
57	22915359	DRIVING SHAFT CRANK ASM.				1
58	SS7111120SP	SCREW 11/64-40 L=10.5		*		1
59	22910905	WALKING FOOT PIN A				2
60	40089548	CONNECTING LINK B				2
61	22904155	MAIN SHAFT THRUST COLLAR ASM.				1
62	SS8660610TP	SCREW 1/4-40 L=6		*		2
63	RO078190100	RUBBER RING				1
64	40100084	FEED LEVER SHAFT				1
65	22912802	FEED LEVER SHAFT BUSHING				1
66	40093417	CONNECTING LINK A				2
67	SS6121860SP	SCREW 3/16-28 L=18				1

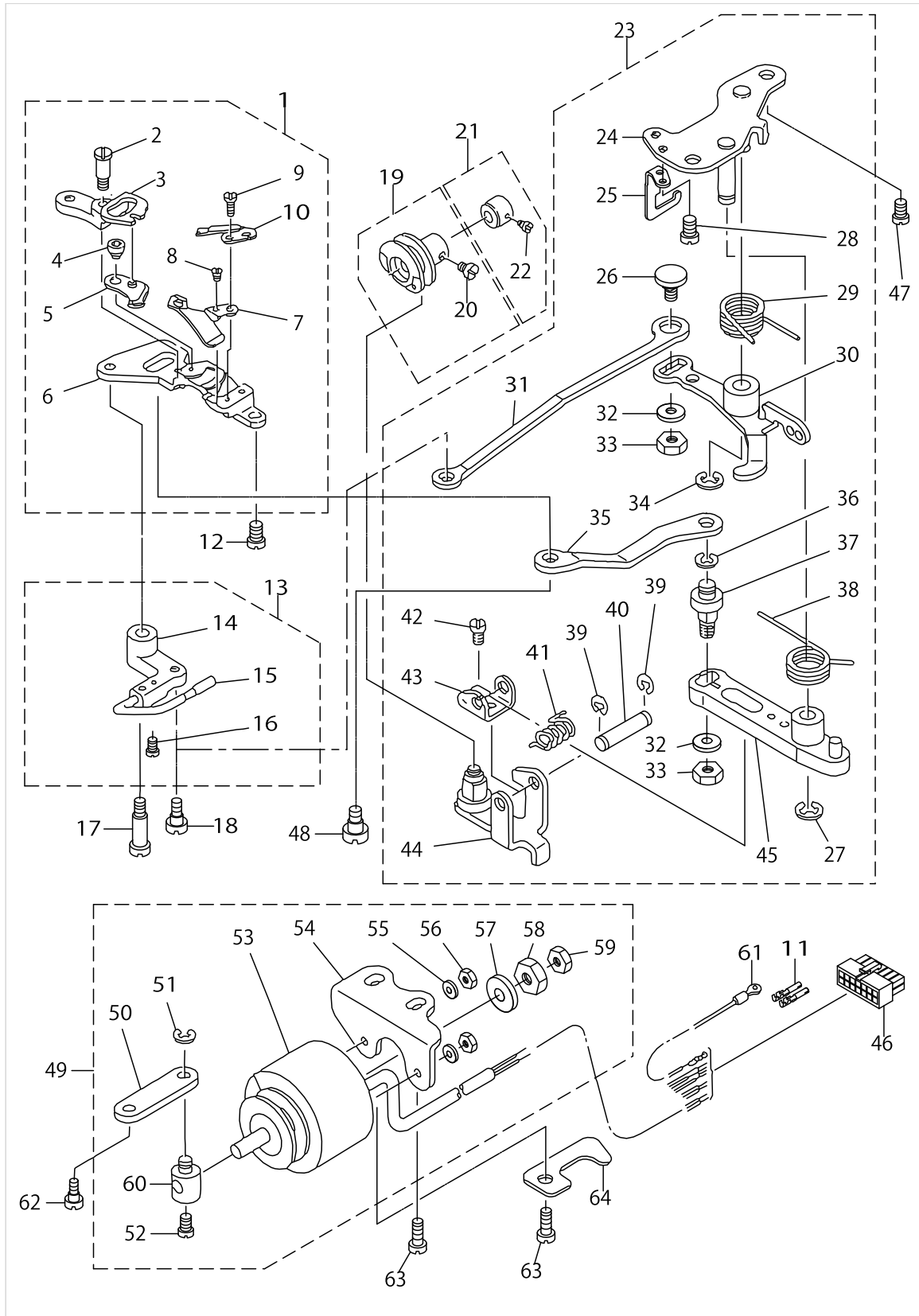
THREAD TRIMMER COMPONENTS



THREAD TRIMMER COMPONENTS

No.	Parts No.	Parts name	Remarks	Level	Cons	Qty
1	11040359	KNIFE UNIT				1
2	SD0460703TP	HINGE SCREW D=4.6 H=7		*		1
3	11040508	FORKED BASE FOR KNIFE		*		1
4	11040409	MOVING KNIFE HINGE SCREW		*		1
5	11040052	MOVING KNIFE ASM.		*		1
6	22947907	KNIFE MOUNTING BASE		*		1
7	11313103	THREAD GUIDE FOR KNIFE		*		1
8	SS2060210SP	SCREW 3/32-56 L=2.3		*		1
9	SS4080620TP	SCREW 1/8-44 L=6		*		2
10	D2406555D0H	COUNTER KNIFE		*		1
11	HK03464000B	PIN CONTACT				2
12	SS4110715SP	SCREW 11/64-40 L=7				1
13	11042553	PICKER ARM ASM.				1
14	11042504	PICKER ARM		*		1
15	22950356	HOOK THREAD PRESSER ASM.		*		1
16	SS6090510SP	SCREW 9/64-40 L=5		*		2
17	SD0641451SP	HINGE SCREW D=6.35 H=14.5				1
18	SD0630275SP	HINGE SCREW D=6.35 H=2.7				1
19	11042850	THREAD TRIMMER CAM ASM.				1
20	SS6660610TP	SCREW 1/4-40 L=6		*		2
21	22950950	CAM COLLAR ASM.				1
22	SS8110520TP	SCREW 11/64-40 L=4.5		*		1
23	22949762	THREAD TRIMMER DRIVING UNIT				1
24	22949754	BASE PLATE ASM.		*		1
25	22950703	DRIVING ARM STOPPER		*		1
26	22950000	PICKER LINK PIN		*		1
27	RE0600000K0	E-RING 6		*		1
28	SS4110715SP	SCREW 11/64-40 L=7		*		2
29	22949408	CLUTCH SPRING		*		1
30	11041852	CLUTCH PLATE ASM.		*		1
31	22950109	PICKER LINK		*		1
32	WP0621016SH	WASHER		*		2
33	NS6150430SP	NUT 15/64-28		*		2
34	RE0600000K0	E-RING 6		*		1
35	22948301	MOVING KNIFE LINK		*		1
36	RE0500000K0	E-RING		*		1
37	22948400	MOVING KNIFE LINK PIN		*		1
38	11043700	KNIFE RETURN SPRING B		*		1
39	RE0400000K0	E-RING 4		*		2
40	22949101	ROLLER FULCRUM SHAFT		*		1
41	22949200	ROLLER RETURN SPRING		*		1
42	SS7090610SP	SCREW 9/64-40 L=6		*		1
43	22949002	ROLLER ARM SEAT		*		1
44	11040953	ROLLER ARM ASM.		*		1
45	11040854	KNIFE DRIVING ARM ASM.		*		1
46	HK034610140	HOUSING 14P				1
47	SS4150915SP	SCREW 15/64-28 L=9				2

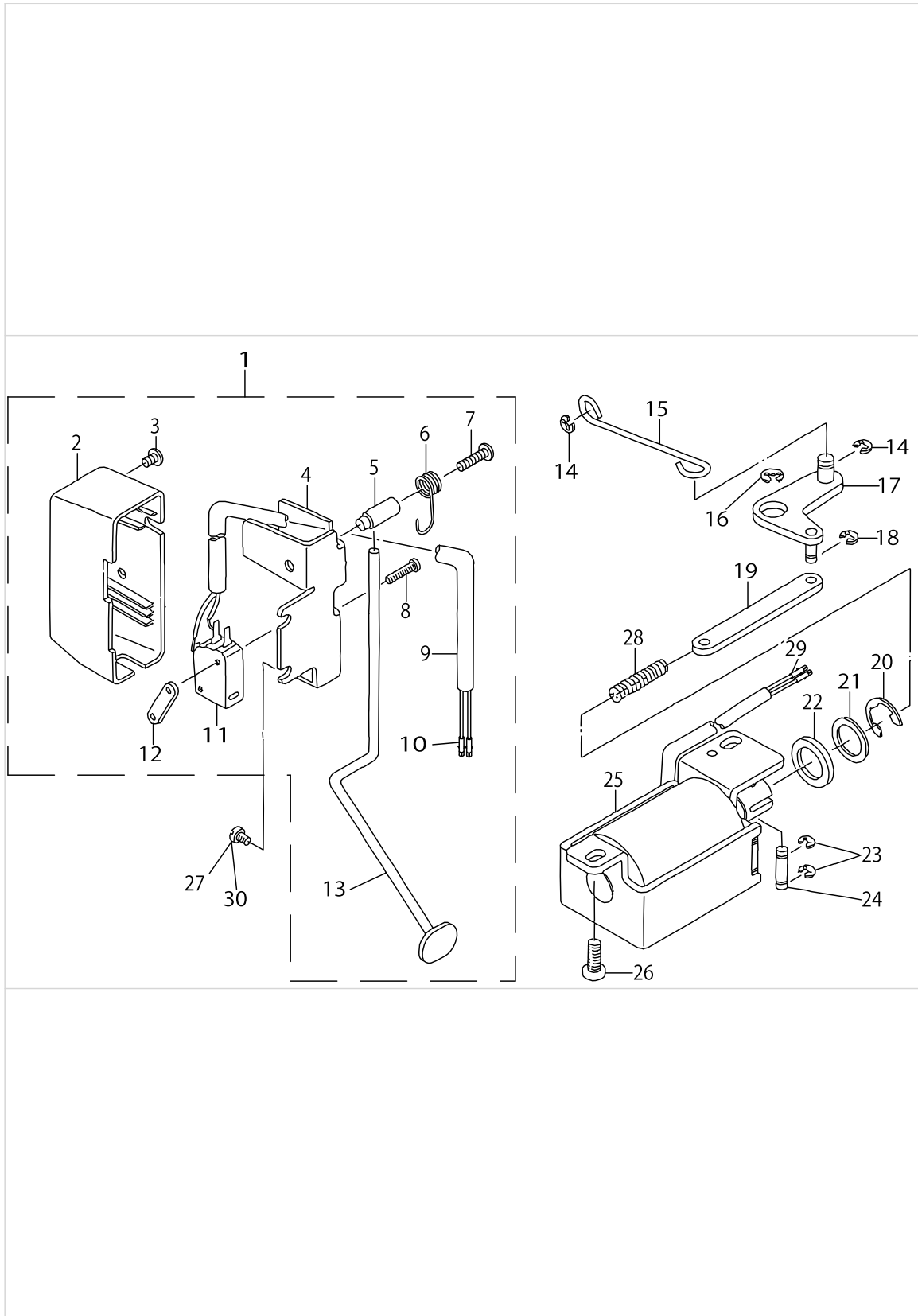
THREAD TRIMMER COMPONENTS



THREAD TRIMMER COMPONENTS

No.	Parts No.	Parts name	Remarks	Level	Cons	Qty
48	SD0640631TP	HINGE SCREW D=6.35 H=6.3				1
49	22951164	SOLENOID UNIT				1
50	22949903	CLUTCH LINK		*		1
51	RE0500000K0	E-RING		*		1
52	SS6110710TP	SCREW 11/64-40 L=6.5		*		1
53	11043908	THREAD TRIMMER SOLENOID		*		1
54	22951404	SOLENOID BASE		*		1
55	WP0450000SD	WASHER 4.5X8X0.5		*		2
56	NM6040000SN	NUT M4		*		2
57	11043304	SOLENOID RUBBER		*		1
58	NS6660410SH	NUT		*		1
59	NS6660430SP	NUT 1/4-40		*		1
60	22951008	SOLENOID PIN		*		1
61	22951552	GROUND WIRE ASM.				1
62	SD0600361SP	HINGE SCREW D=6 H=3.6				1
63	SS4151215SP	SCREW 15/64-28 L=12				2
64	22924807	PIPE HOLDER LOWER				1

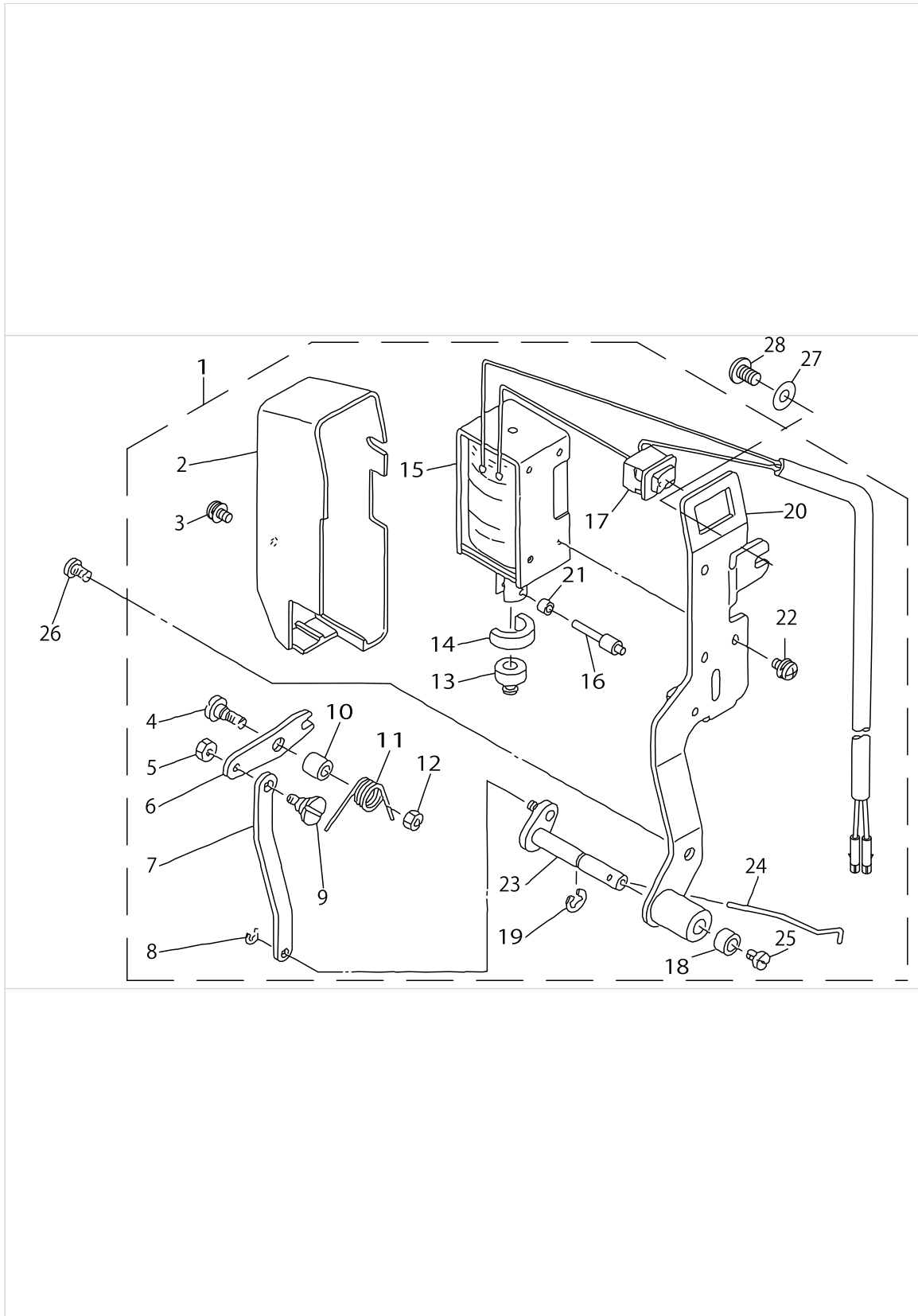
AUTOMATIC REVERSE FEED COMPONENTS



AUTOMATIC REVERSE FEED COMPONENTS

No.	Parts No.	Parts name	Remarks	Level	Cons	Qty
1	11075058	REVERSE FEED SWITCH ASM.				1
2	22954606	REVERSE FEED SWITCH COVER		*		1
3	SM4040655SP	SCREW M4 L=6		*		1
4	22954101	REVERSE FEED SWITCH BASE		*		1
5	22954200	REVERSE FEED SWITCH SHAFT		*		1
6	22954309	REVERSE FEED SWITCH SPRING		*		1
7	SM4041655SP	SCREW M4 L=16		*		1
8	SM4031501SC	SCREW M3 L=15		*		2
9	HW500070000	2-CORE CABTYRE CORD		*		1.31
10	HK03464000B	PIN CONTACT		*		2
11	HA001900000	MICROSWITCH		*		1
12	11102308	MICRO SWITCH PLATE		*		1
13	22954507	REVERSE FEED SWITCH LEVER		*		1
14	RE0500000KP	E-RING 5				2
15	11101300	REVERSE FEED CONNECTING SHAFT				1
16	RE0900000K0	E-RING 9				1
17	22953657	AUTO-BACK ARM ASM.				1
18	RE0400000KP	E-RING 4				1
19	22953905	CONNECTING LINK				1
20	RE1200000K0	E-RING 12				1
21	WP1602616SZ	WASHER 16X24X2.6				1
22	D2468555B00	RUBBER PLUNGER				1
23	RE0400000K0	E-RING 4				2
24	22953509	REVERSE FEED PLUNGER ARM PIN				1
25	40085585	REVERSE FEED SOLENOID ASM.				1
26	SS4151215SP	SCREW 15/64-28 L=12				2
27	SS4120915SP	SCREW 3/16-28 L=9				1
28	11217601	WALKING FOOT SPRING				1
29	HK03464000B	PIN CONTACT				2
30	SS4120615SP	SCREW 3/16-28 L=6	FOR DDL-5571N			1

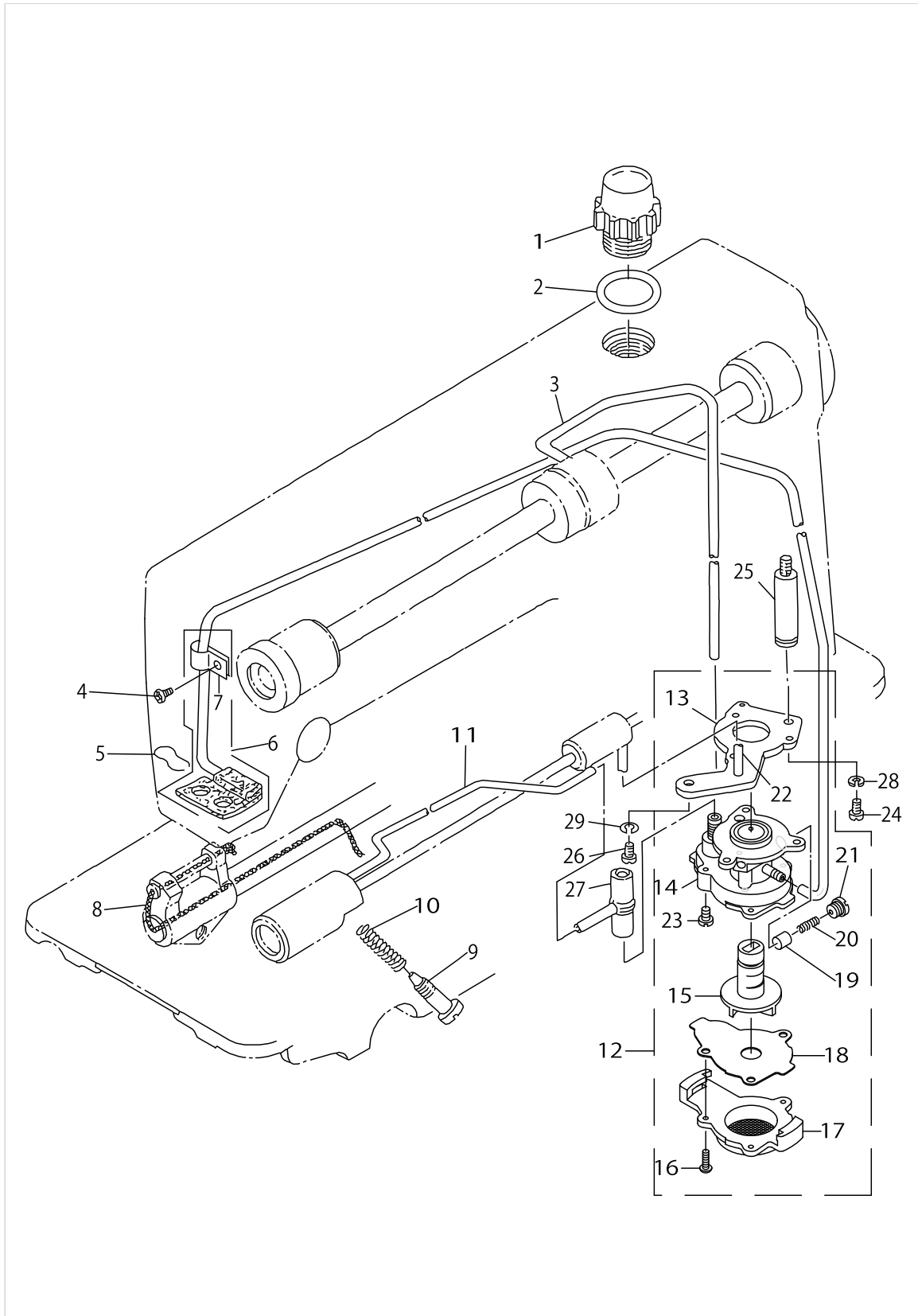
WIPER COMPONENTS



WIPER COMPONENTS

No.	Parts No.	Parts name	Remarks	Level	Cons	Qty
1	22955553	WIPER ASM.				1
2	22955504	WIPER COVER		*		1
3	SL4030631SC	SCREW M3X6		*		1
4	SD0650321TP	HINGE SCREW D=6.5 H=3.2		*		1
5	NS6090310SP	NUT 9/64-40		*		1
6	22956106	WIPER LINK A		*		1
7	22956403	WIPER LINK B		*		1
8	RE0250000K0	E-RING 2.5		*		1
9	22956908	WIPER LINK B HINGE SCREW		*		1
10	22956205	WIPER HINGE SCREW COLLAR		*		1
11	22956304	WIPER SPRING		*		1
12	NS6110310SP	NUT 11/64-40		*		1
13	22955900	WIPER RUBBER A		*		1
14	22956007	WIPER RUBBER B		*		1
15	11110301	WIPER SOLENOID		*		1
16	40106936	WIPER SOLENOID ASM.		*		1
17	HA00600000A	SWITCH		*		1
18	22956809	WIPER COLLAR		*		1
19	RE0500000K0	E-RING		*		1
20	11110152	WIPER BASE ASM.		*		1
21	22957203	WIPER LINK COLLAR		*		1
22	SL4030641SE	SCREW		*		3
23	11111051	WIPER DRIVING SHAFT ASM.		*		1
24	22957005	WIPER		*		1
25	SS6090540SP	SCREW 9/64-40 L=5.0		*		1
26	SS4120915SP	SCREW 3/16-28 L=9				2
27	WP0482086SD	WASHER 4.8X11.5X2				1
28	SS4120915SP	SCREW 3/16-28 L=9				1

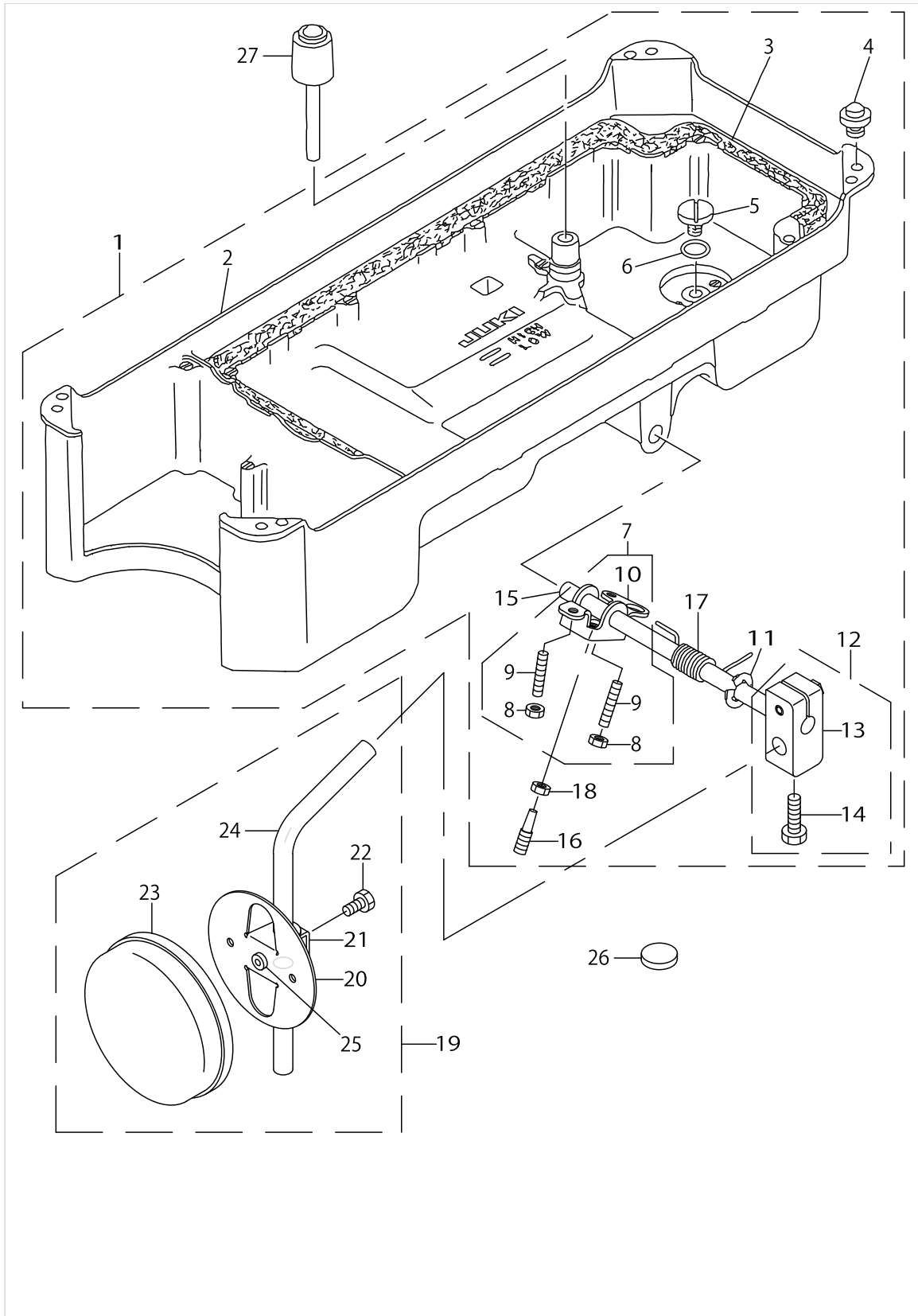
OIL LUBRICATION COMPONENTS



OIL LUBRICATION COMPONENTS

No.	Parts No.	Parts name	Remarks	Level	Cons	Qty
1	22947006	OIL SIGHT WINDOW				1
2	RO195240100	RUBBER RING				1
3	22924401	MAIN SHAFT OIL TUBE				1
4	SS4120615SP	SCREW 3/16-28 L=6				1
5	22925101	OIL FELT PRESSER				1
6	22924153	RETURN PIPE ASM.				1
7	22924302	RETURN PIPE HOLDER		*		1
8	CQ252000000	OIL WICK				0.2
9	22925002	OIL REGULATOR SCREW				1
10	22924906	OIL REGULATOR SCREW SPRING				1
11	22924500	HOOK OIL TUBE				1
12	22923056	OIL PUMP ASM.				1
13	22923312	OIL PUMP INSTALLING BASE		*		1
14	22923015	OIL PUMP		*		1
15	22923700	IMPELLER		*		1
16	SE4301041SR	SCREW D=3 L=10		*		3
17	22923205	PUMP BODY COVER		*		1
18	22923809	PUMP BODY SUPPORT PLATE		*		1
19	22923403	PLUNGER		*		1
20	22923601	PLUNGER SPRING		*		1
21	22923502	PLUNGER SCREW		*		1
22	22923908	HOOK DRIVING SHAFT OILING PIPE		*		1
23	SL4030851SF	SCREW M3 L=8		*		3
24	SS6111010TP	SCREW 11/64-40 L=9.5				1
25	22947105	PUMP BODY STRUT				1
26	SS4151215SP	SCREW 15/64-28 L=12				1
27	22924609	RUBBER JOINT				1
28	WS0451040KP	SPRING WASHER 4.5X8.5X1				1
29	WS0651310KP	SPRING WASHER 6.5X11X1.3				1

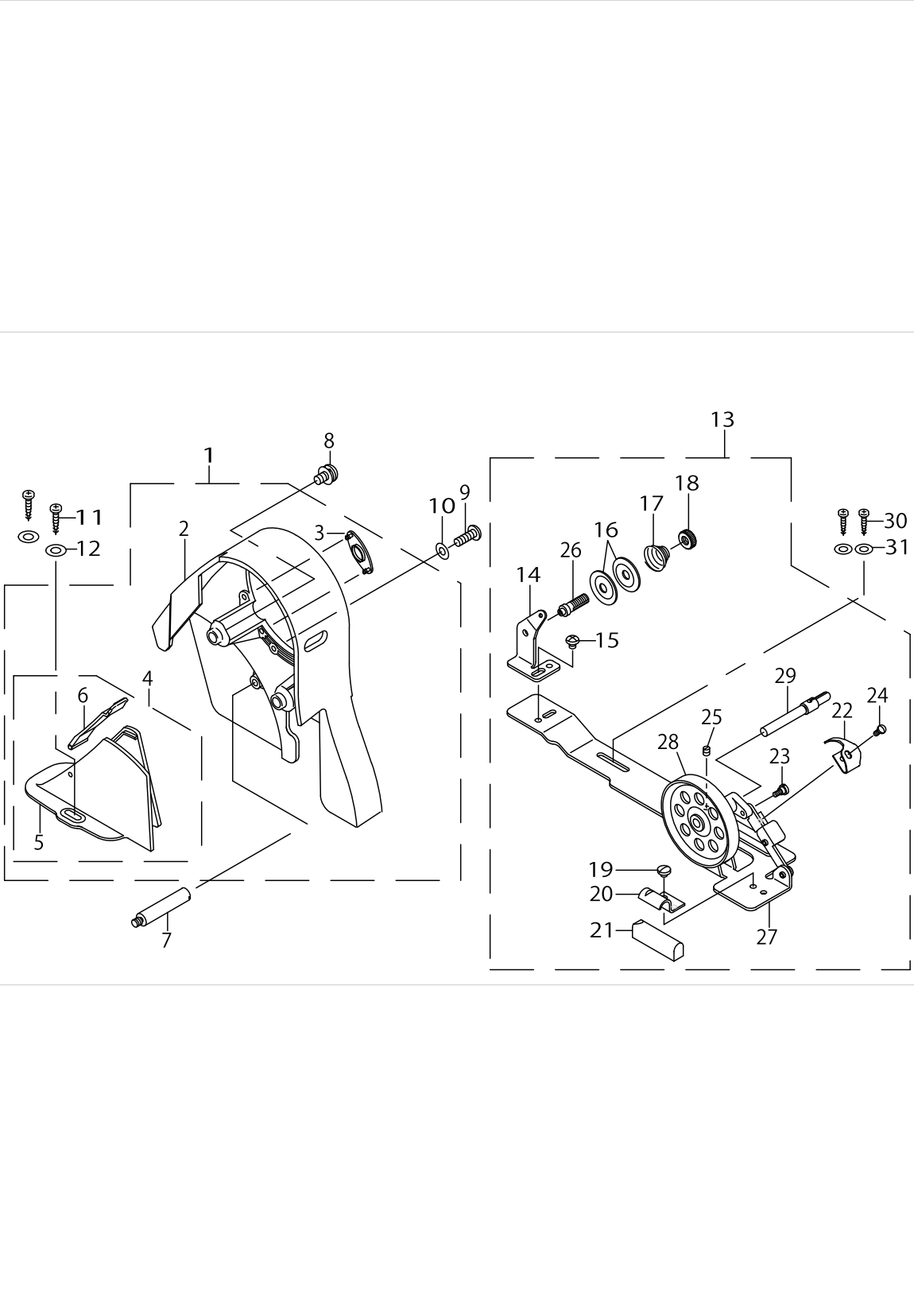
OIL RESERVOIR COMPONENTS



OIL RESERVOIR COMPONENTS

No.	Parts No.	Parts name	Remarks	Level	Cons	Qty
1	11047057	OIL RESERVOIR ASM.				1
2	11023017	OIL RESERVOIR		*		1
3	11024700	GASKET		*		1
4	11047107	RUBBER CUSHION		*		1
5	SS6700710SH	SCREW 5/16-24 L=7		*		1
6	RO098240100	RUBBER RING		*		1
7	22932156	KNEE LIFTER ROTATION ARM ASM.		*		1
8	NM6060001SE	NUT M6		*		2
9	SM8063012TR	SCREW M6 L=30		*		2
10	22932107	KNEE LIFTING ROTATING ARM		*		1
11	RE1000000K0	E-RING 10		*		1
12	22932453	BRACKET ASM.		*		1
13	22932404	BRACKET		*		1
14	SM9062053SR	SCREW M6 L=20		*		2
15	22932305	KNEE PRESS CROSS SHAFT		*		1
16	40101720	SCREW_M6		*		1
17	22932206	SPRING		*		1
18	NM6060001SE	NUT M6		*		1
19	22934251	KNEE PAD PLATE ASM.				1
20	22934202	KNEE PAD PLATE		*		1
21	22934301	KNEE PAD PLATE SUPPORT		*		1
22	SM9061203SE	SCREW M6 L=12		*		1
23	22934509	KNEE PAD PLATE COVER		*		1
24	22934608	KNEE PAD UPRIGHT SHAFT		*		1
25	22934400	KNEE PAD PLATE RUBBER		*		1
26	B8228125000	OIL RESERVOIR MAGNET				1
27	11024304	KNEE PRESS LIFTER ROD				1

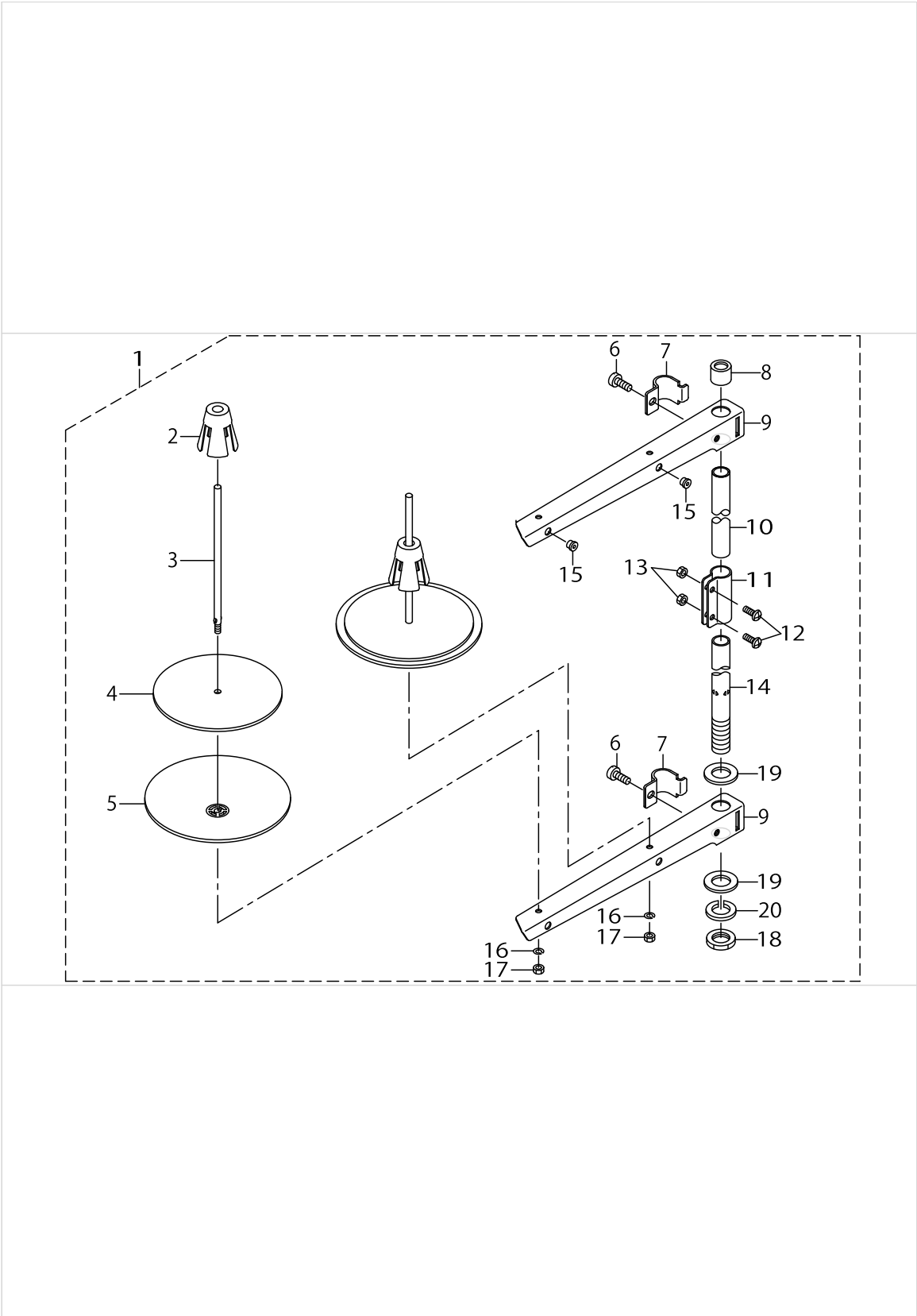
BELT COVER & BOBBIN WINDER COMPONENTS



BELT COVER & BOBBIN WINDER COMPONENTS

No.	Parts No.	Parts name	Remarks	Level	Cons	Qty
1	11076668	BELT COVER ASM. URBANE GRAY				1
2	11076601	BELT COVER A		*		1
3	11076700	BELT COVER A CAP		*		1
4	11076858	BELT COVER B ASM.		*		1
5	11076809	BELT COVER B		*		1
6	11076957	BELT COVER B CAP ASM.		*		1
7	11023504	BELT COVER SUPPORT A				1
8	11025202	BELT COVER A SCREW				2
9	SS4121415SP	SCREW 3/16-28 L=14				1
10	WP0501016SD	WASHER 5X10.5X1				1
11	SK3412000SC	WOOD SCREW D=4.1 L=20				2
12	WP0450826SC	WASHER 4.5X10X0.8				2
13	22927354	BOBBIN WINDER COMPL.				1
14	22928501	THREAD TENSION POST BASE		*		1
15	SS4110515SP	SCREW 11/64-40 L=5		*		1
16	22928907	THREAD TENSION DISK		*		2
17	22929004	THREAD TENSION SPRING		*		1
18	22928808	NUT		*		1
19	SS7110350SP	SCREW 11/64-40 L=3.5		*		1
20	22928402	CONTROL RUBBER HOLDING PLATE		*		1
21	22928303	CONTROL RUBBER		*		1
22	22928105	BOBBIN PRESSER		*		1
23	SD0490261SP	HINGE SCREW D=4.9 H=2.6		*		1
24	SS7081310SP	SCREW 1/8-44 L=12.5		*		1
25	SS8110510SP	SCREW 11/64-40 L=5		*		1
26	22928709	THREAD TENSION POST		*		1
27	22927305	BOBBIN WINDER BASE		*		1
28	22927404	BOBBIN WINDER		*		1
29	22927602	BOBBIN WINDER SPINDLE		*		1
30	SK3412000SC	WOOD SCREW D=4.1 L=20				2
31	WP0450826SC	WASHER 4.5X10X0.8				2

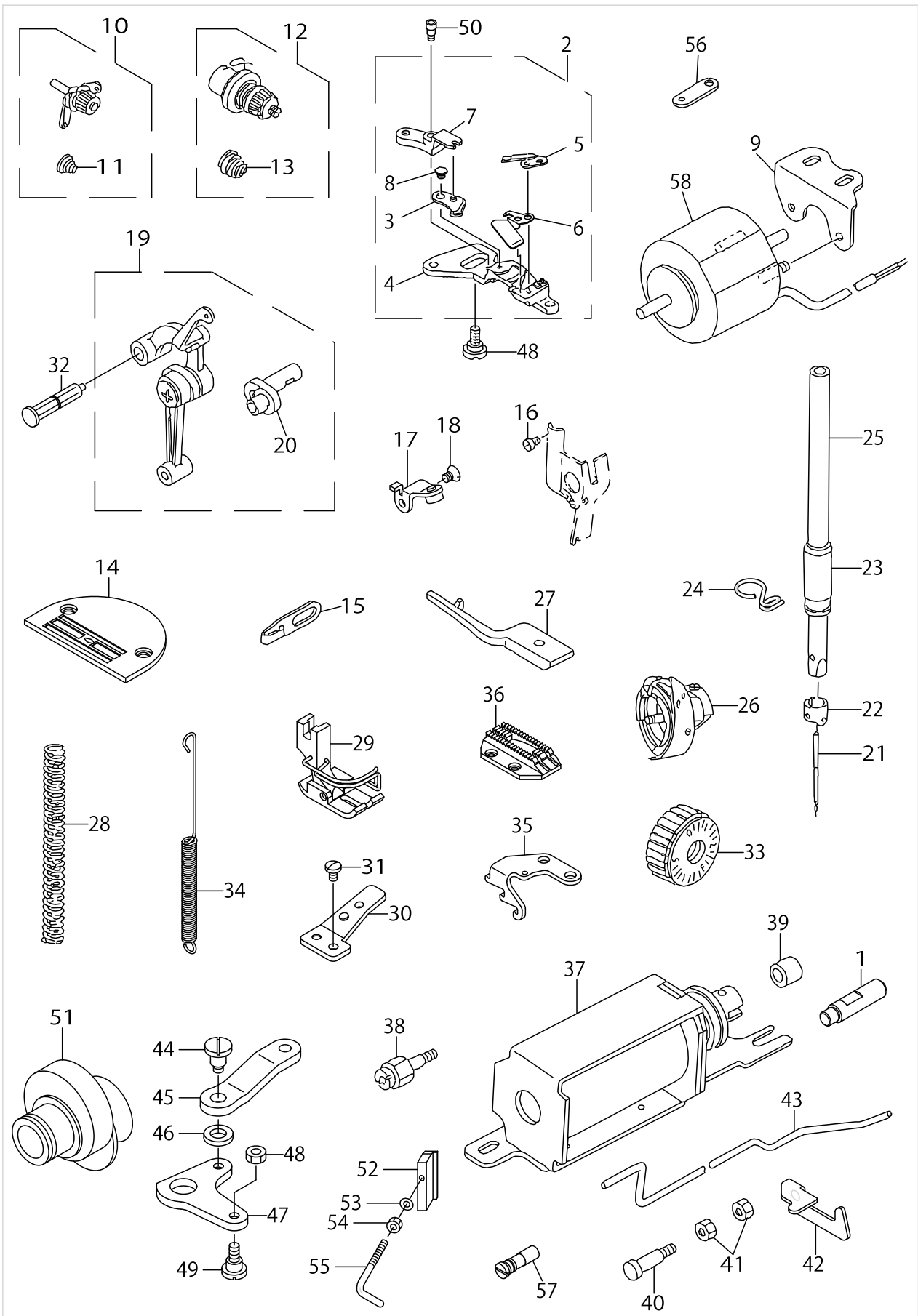
THREAD STAND COMPONENTS



THREAD STAND COMPONENTS

No.	Parts No.	Parts name	Remarks	Level	Cons	Qty
1	22930358	THREAD STAND ASM.				1
2	22931109	SPOOL RETAINER		*		2
3	22931000	SPOOL PIN		*		2
4	22930903	SPOOL REST CUSHION		*		2
5	22930804	SPOOL REST		*		2
6	SM6061610SC	SCREW M6 L=15		*		2
7	22930705	THREAD GUIDE ARM JOINT		*		2
8	22931406	SPOOL REST ROD RUBBER CAP		*		1
9	22930507	SPOOL REST ARM		*		2
10	22930408	SPOOL REST ROD UPPER		*		1
11	22931307	SPOOL REST ROD JOINT		*		1
12	SM4051405SE	SCREW M5 L=14		*		2
13	NM6050001SE	NUT M5		*		2
14	22930309	SPOOL REST ROD LOWER		*		1
15	22931208	THREAD GUIDE		*		2
16	WS0510002KN	SPRING WASHER		*		2
17	NM6050001SE	NUT M5		*		2
18	NM6160511SE	NUT M16X1.5		*		1
19	WP1612616SE	WASHER 16X30X2.6		*		2
20	WS1643202KR	SPRING WASHER		*		1

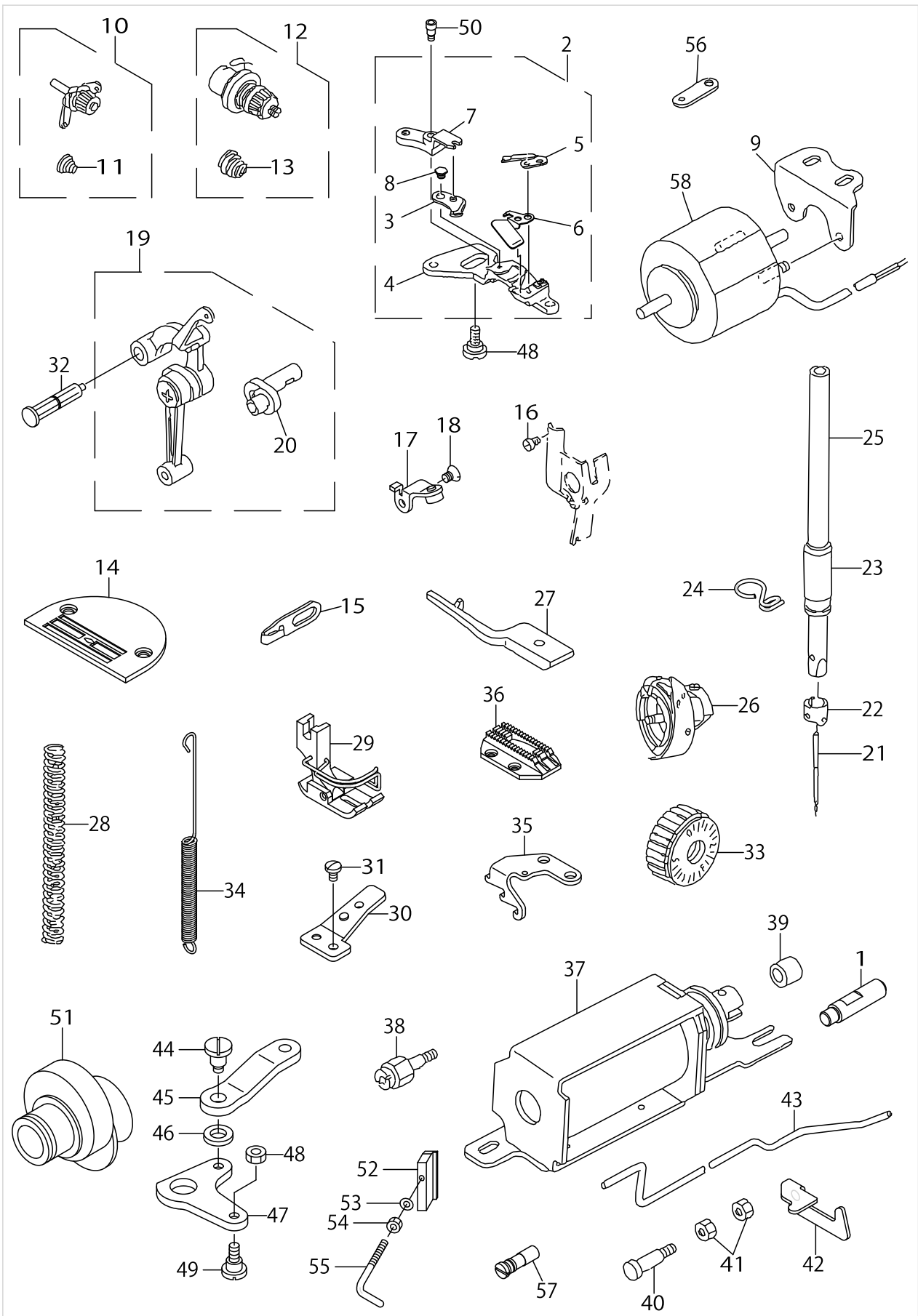
EXCLUSIVE PARTS FOR DDL-5571N-H



EXCLUSIVE PARTS FOR DDL-5571N-H

No.	Parts No.	Parts name	Remarks	Level	Cons	Qty
1	40010395	ADJUSTING LINK FULCRUM SHAFT B				1
2	11095551	KNIFE UNIT				1
3	11409257	MOVING KNIFE J ASM.		*		1
4	11095502	KNIFE MOUNT BASE		*		1
5	11409604	FIX KNIFE		*		1
6	11095403	KNIFE THREAD GUIDE		*		1
7	11095601	KNIFE BRANCH		*		1
8	SD0500131TP	HINGE SCREW D=5 H=1.25		*		1
9	11094901	SOLENOID BASE				1
10	22963458	THREAD TENSION ASM.				1
11	22963409	THREAD TENSION SPRING		*		1
12	22962054	THREAD TENSION ASM.				1
13	22962005	THREAD TENSION SPRING		*		1
14	11400801	THROAT PLATE J				1
15	11091006	ARM THREAD GUIDE (HA)				1
16	SS6080320SP	SCREW 1/8-44 L=2.5				1
17	11095254	LEVER STOPPER ASM.				1
18	SS1120710SP	SCREW 3/16-28 L=6.5				1
19	40103560	LINK_THREAD_TAKE-UP_LENER-H_ASM.				1
20	40109126	NEEDLE_BAR_CRANK_H		*		1
21	MDB100B2100	NEEDLE DBX1 #21				1
22	B1418415H00	NEEDLE BAR THREAD GUIDE				1
23	B1403553000	NEEDLE BAR BUSHING LOWER				1
24	40023223	NEEDLE BAR THREAD GUIDE				1
25	22970206	NEEDLE BAR				1
26	11092251	LUBRICATING BOBBIN ASM.				1
27	22962401	POSITIONING FINGER H				1
28	B1505552000A	PRESSER SPRING				1
29	D1524555EBL	PRESSER FOOT ASM.				1
30	22962807	WIRE PRESSER PLATE B				1
31	SS7110740TP	SCREW 11/64-40 L=7				1
32	22919559	THREAD TAKE-UP CRANK SHAFT ASM.				1
33	11071909	FEED DIAL				1
34	40080725	ADJUSTING LINK SPRING				1
35	22970602	FEED SPRING HOOK				1
36	11403003	FEED J				1
37	40090750	SOLENOID MOUNTING BASE ASM.				1
38	11231503	OIL PUMP SUPPORT				1
39	22962609	REVERSE FEED BASE COLLAR				1
40	22962906	PLUNGER ARM PIN				1
41	NS6110420SP	NUT 11/64-40				1
42	22962708	TUBE HOLDER LOWER				1
43	11094109	OIL TUBE				1
44	SD0700711TP	HINGE SCREW D=7 H=7.1				1
45	22962500	REVERSE FEED CONNECTING LINK H				1
46	WP0722316SH	WASHER				1
47	11101508	REVERSE FEED LINK				1

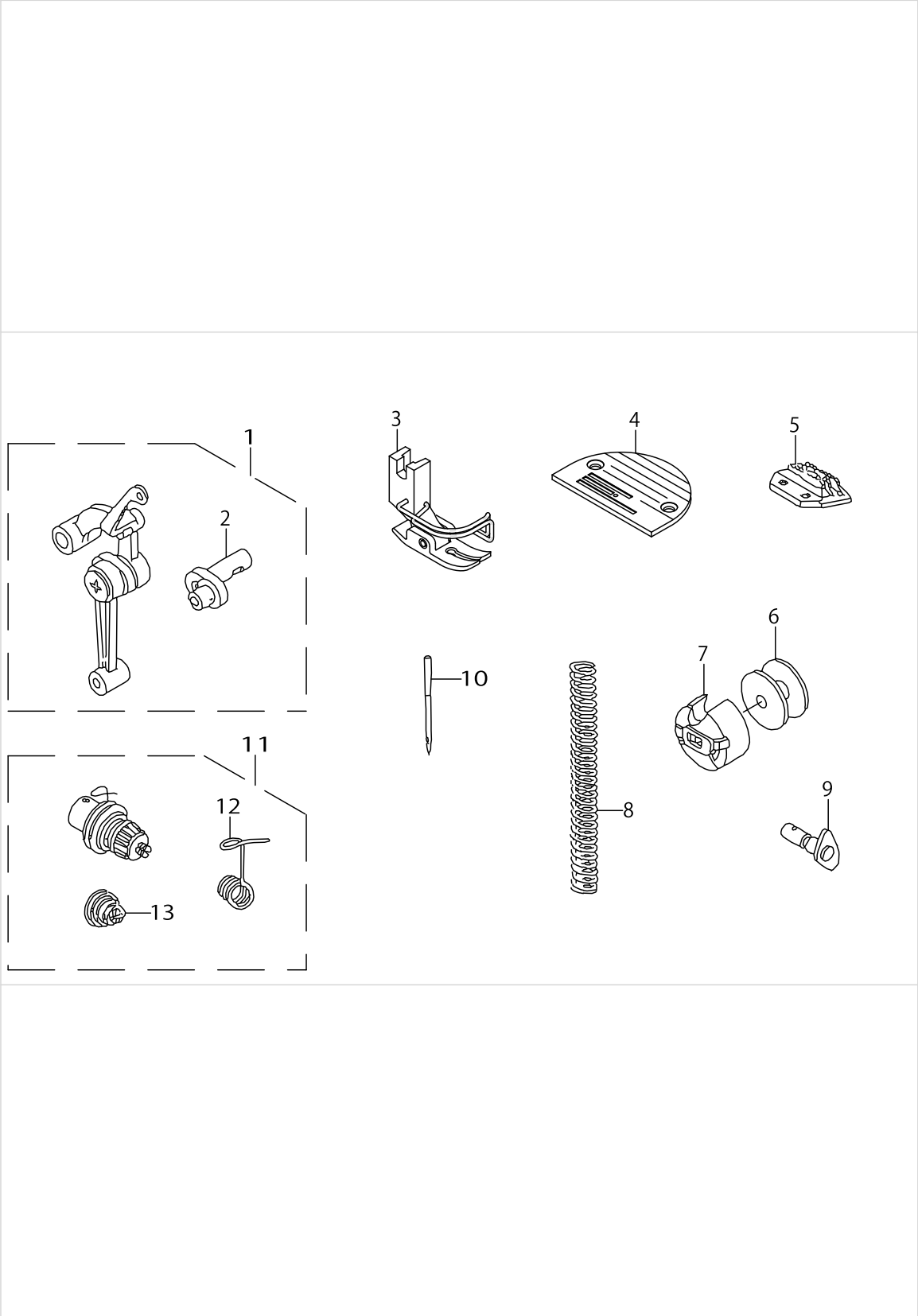
EXCLUSIVE PARTS FOR DDL-5571N-H



EXCLUSIVE PARTS FOR DDL-5571N-H

No.	Parts No.	Parts name	Remarks	Level	Cons	Qty
48	NS6110420SP	NUT 11/64-40				2
49	SD0700451TP	HINGE SCREW D=7 H=4.5				1
50	SD0460703TP	HINGE SCREW D=4.6 H=7				1
51	22962351	FEED DRIVE ECCENTRIC CAM ASM.				1
52	11403805	THREAD GUIDE C FITTING PLATE				1
53	WP0371016SD	WASHER 3.7X8X1				1
54	NS6090310SP	NUT 9/64-40				1
55	22972608	ARM THREAD GUIDE C				1
56	11094604	CLUTCH LINK				1
57	B1213552000A	OIL ADJUSTING PIN				1
58	11096500	THREAD TRIMMER SOLENOID				1
59	SD0550701TP	STEP-SCREW D=5.5 H=7				1

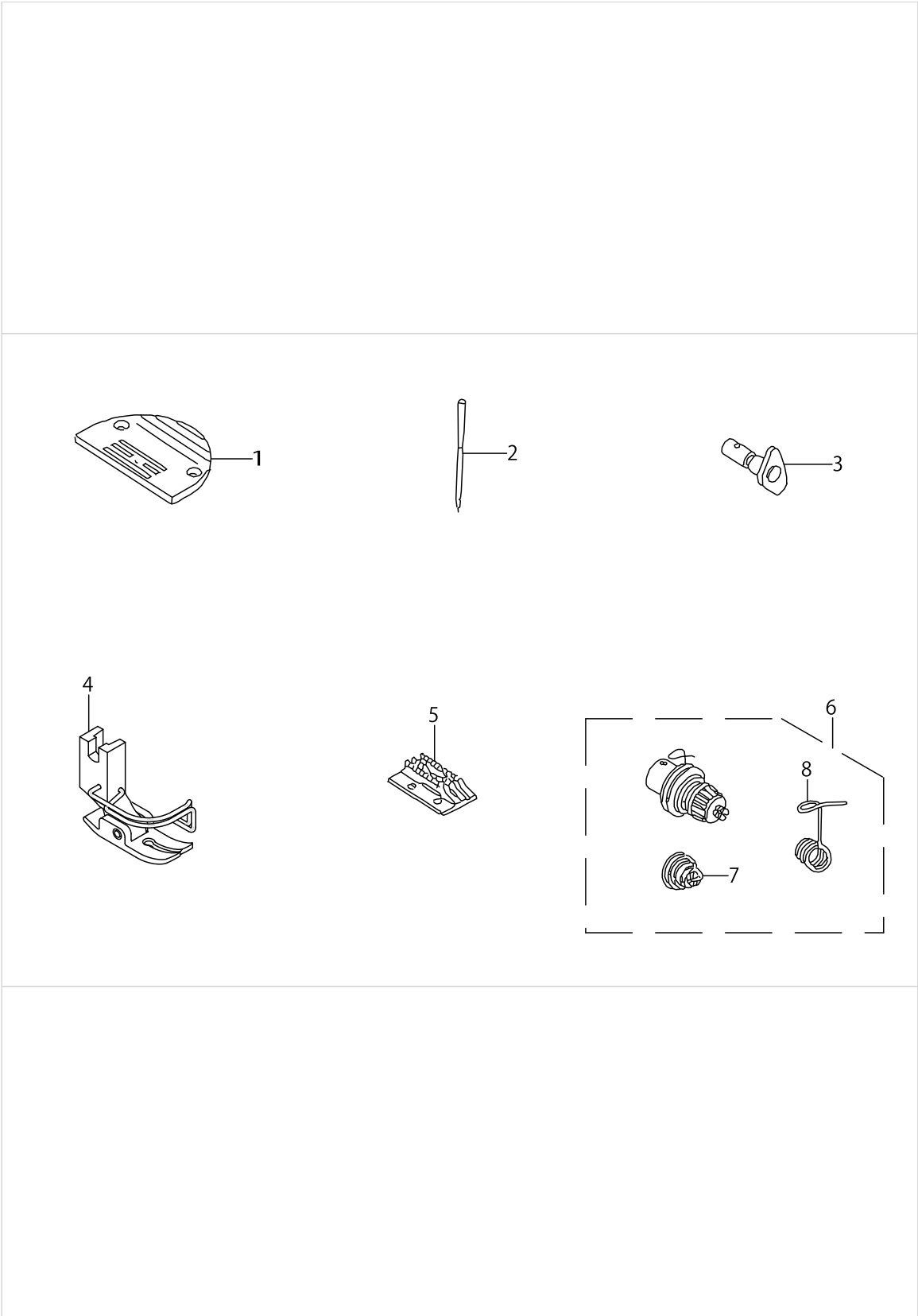
EXCLUSIVE PARTS FOR DDL-5571N-A, 5581N-A



EXCLUSIVE PARTS FOR DDL-5571N-A, 5581N-A

No.	Parts No.	Parts name	Remarks	Level	Cons	Qty
1	11091857	LINK THREAD TAKE-UP LEVER ASM.				1
2	11091808	NEEDLE BAR CRANK A		*		1
3	D1524555DBA	PRESSER FOOT ASM.				1
4	11028008	THROAT PLATE				1
5	B1613012I00	FEED DOG I				1
6	22964001	BOBBIN A				1
7	B18370120A0	BOBBIN CASE ASM.				1
8	B1505227T00A	PRESSER SPRING T				1
9	11092558	HAND LIFTER CAM ASM.				1
10	MDA100B1100	NEEDLE DAX1 #11				1
11	40011503	THREAD TENSION ASM.				1
12	40054784	THREAD TAKE-UP SPRING		*		1
13	40054785	THREAD TENSION SPRING		*		1

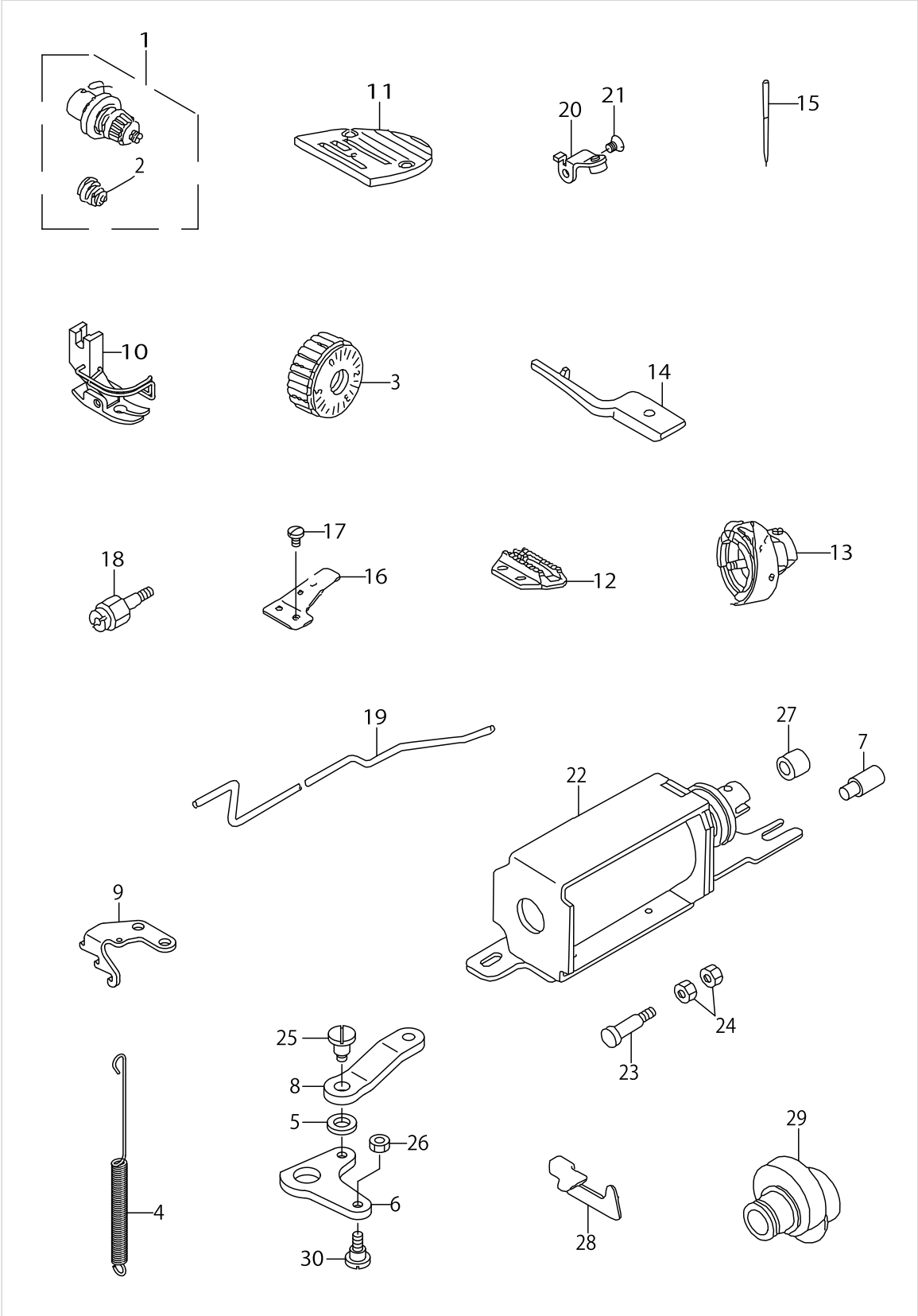
EXCLUSIVE PARTS FOR DDL-5571N-K, 5581N-K



EXCLUSIVE PARTS FOR DDL-5571N-K, 5581N-K

No.	Parts No.	Parts name	Remarks	Level	Cons	Qty
1	11001906	THROAT PLATE K				1
2	MDB100B0900	NEEDLE DBX1 #9				1
3	11092558	HAND LIFTER CAM ASM.				1
4	D1524555DBA	PRESSER FOOT ASM.				1
5	D1613155W00	FEED DOG W				1
6	40011503	THREAD TENSION ASM.				1
7	40054785	THREAD TENSION SPRING		*		1
8	40054784	THREAD TAKE-UP SPRING		*		1

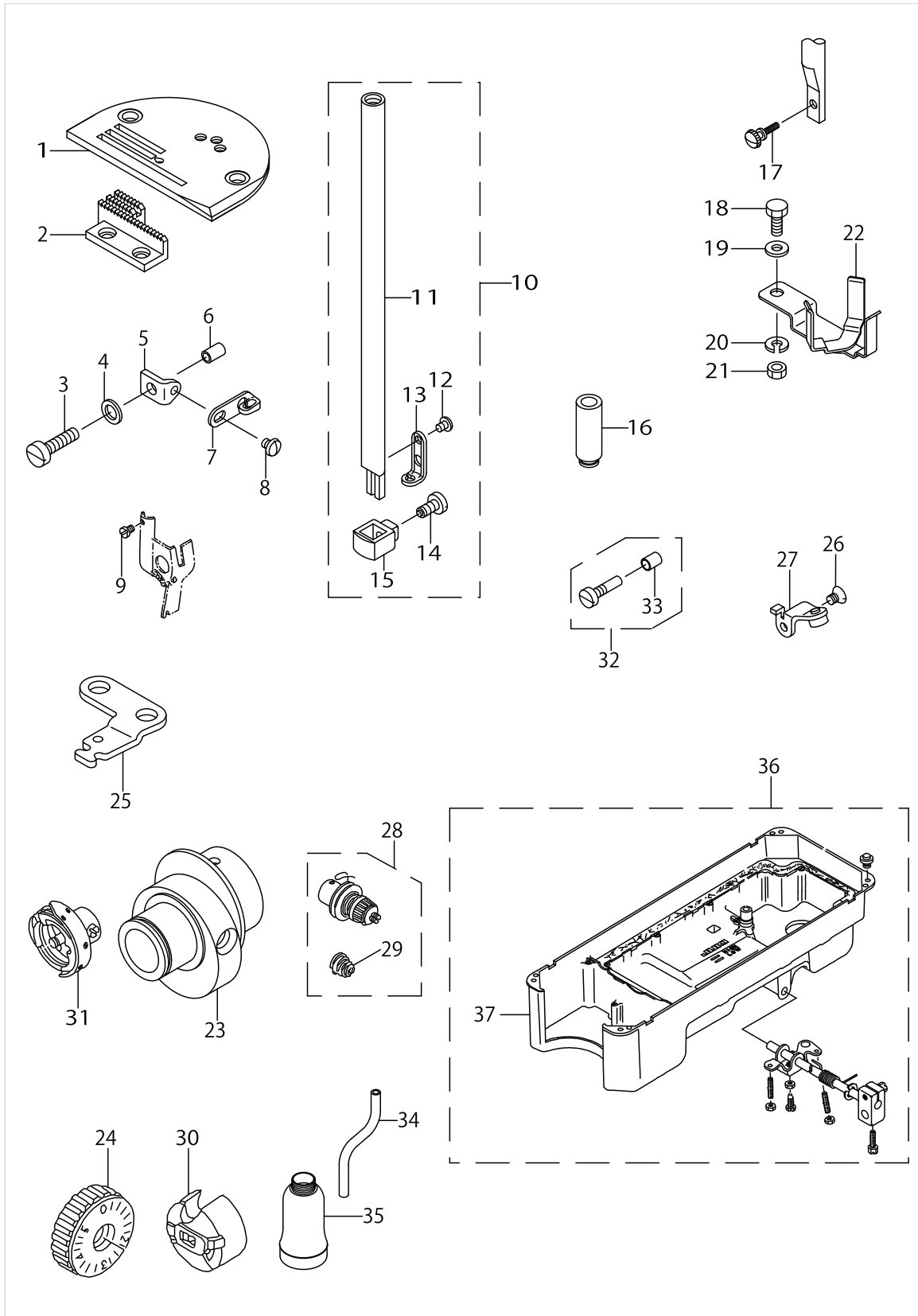
EXCLUSIVE PARTS FOR DDL-5571N-M, 5581N-M



EXCLUSIVE PARTS FOR DDL-5571N-M, 5581N-M

No.	Parts No.	Parts name	Remarks	Level	Cons	Qty
1	22962054	THREAD TENSION ASM.				1
2	22962005	THREAD TENSION SPRING		*		1
3	11071909	FEED DIAL				1
4	40080725	ADJUSTING LINK SPRING				1
5	WP0722316SH	WASHER				1
6	11101508	REVERSE FEED LINK				1
7	40010395	ADJUSTING LINK FULCRUM SHAFT B				1
8	22962500	REVERSE FEED CONNECTING LINK H				1
9	22970602	FEED SPRING HOOK				1
10	11080371	PRESSER ASM.				1
11	11080009	THROAT PLATE				1
12	11080603	FEED				1
13	11092251	LUBRICATING BOBBIN ASM.				1
14	22962401	POSITIONING FINGER H				1
15	MDB100B1600	NEEDLE DBX1 #16				1
16	22962807	WIRE PRESSER PLATE B				1
17	SS7110740TP	SCREW 11/64-40 L=7				1
18	11231503	OIL PUMP SUPPORT				1
19	11094109	OIL TUBE				1
20	11095254	LEVER STOPPER ASM.				1
21	SS1120710SP	SCREW 3/16-28 L=6.5				1
22	40090750	SOLENOID MOUNTING BASE ASM.				1
23	22962906	PLUNGER ARM PIN				1
24	NS6110420SP	NUT 11/64-40				1
25	SD0700711TP	HINGE SCREW D=7 H=7.1				1
26	NS6110420SP	NUT 11/64-40				1
27	22962609	REVERSE FEE BASE COLLAR				1
28	22962708	TUBE HOLDER LOWER				1
29	22962351	FEED DRIVE ECCENTRIC CAM ASM.				1
30	SD0700451TP	HINGE SCREW D=7 H=4.5				1

EXCLUSIVE PARTS FOR DDL-5571NU



EXCLUSIVE PARTS FOR DDL-5571NU

No.	Parts No.	Parts name	Remarks	Level	Cons	Qty
1	B1109505U00	THROAT PLATE				1
2	B1613505U00	FEED DOG				1
3	SS6121850TP	SCREW 3/16-28 L=18				1
4	WP0480856SP	WASHER 4.8X8.4X0.8				1
5	B1128505U00	THREAD GUIDE MOUNTING BASE				1
6	11142205	SPACER				1
7	D1127555D00	FRAME THREAD GUIDE B				1
8	SS5090420SP	SCREW 9/64-40 L=3.5				1
9	SS6080320SP	SCREW 1/8-44 L=2.5				1
10	B1401505UA0A	NEEDLE BAR ASM.				1
11	B1401505U00A	NEEDLE BAR		*		1
12	SS5060310SP	SCREW 3/32-56 L=2.8		*		1
13	B1419505U00	THREAD GUIDE		*		1
14	B1421505U00	NEEDLE CLAMP SCREW		*		1
15	B1420505U00	NEEDLE CLAMP		*		1
16	B1403553000	NEEDLE BAR BUSHING LOWER				1
17	11142403	PRESSER SCREW				1
18	SM9082023SE	SCREW M8 L=20				1
19	WP0871602SE	WASHER 8.7X18X1.6				1
20	WS0861410KR	SPRING WASHER 8.6X15X1.4				1
21	NM6080721SE	NUT M8				1
22	11074408	SUPPORT BASE				1
23	11142304	FEED ECCENTRIC CAM				1
24	11071909	FEED DIAL				1
25	11074309	FEED SPRING HOOK				1
26	SS1120710SP	SCREW 3/16-28 L=6.5				1
27	11095254	LEVER STOPPER ASM.				1
28	22962054	THREAD TENSION ASM.				1
29	22962005	THREAD TENSION SPRING		*		1
30	B18370120A0	BOBBIN CASE ASM.				1
31	D1830555BAG	HOOK ASM. FOR HEAVY				1
32	B1808227HA0	HOOK DRIVING SHAFT FRONT SCREW				1
33	B1810227H00	OIL WICK		*		1
34	BP900000000	VINYL TUBE D=9				0.6
35	B9121012000	OIL CAN				1
36	11142064	OIL RESERVOIR ASM.				1
37	11142056	OIL RESERVOIR ASM.		*		1

LIST FOR INFORMATION OF CHANGE (1)

As to the place changed, refer to the corresponding Rev.No.
 When previous parts(Obsoleted part)and new parts(Added parts)are
 not interchangeable with each other:
 In this case, even obsoleted parts(D.)can be ordered with the
 obsoleted part number, so select the parts with changed dates and
 place your orders.

変更箇所は、該当Rev.No.版をご参照ください。
 部品の互換性がない変更の場合は、削除された品番でも、ご注文できます。

29121704
 No.0915-08}・Rev.No.

*A:Added parts追加部品/D:Obsoleted parts削除部品/E:Erratum訂正

* Rev. No.	Page 頁	Ref. No.	Parts No. 品番	* Rev. No.	Page 頁	Ref. No.	Parts No. 品番
D 07	2	18	111-00500	A 08	2	18	229-52501
D 07	2	20	111-00104	A 08	2	20	401-11022
D 07	2	58	M6012-350-AAL				
D 07	2	59	SS-4121215-SP				
D 07	2	60	WP-0501016-SD				
D 07	4	4	110-39070	A 08	4	4	229-18072
D 07	4	5	110-39062	A 08	4	5	229-18064
D 07	4	6	B1905-541-B00	A 08	4	6	229-18403
				A 08	4	7	229-18502
				A 08	4	8	229-18601
				A 08	4	9	229-18700
D 07	4	7	110-05204	A 08	4	10	229-18106
D 07	4	8	B1408-552-000	A 08	4	11	229-06606
D 07	4	9	B1903-552-000	A 08	4	12	229-18304
D 07	4	10	229-03157	A 08	4	13	401-06606
D 07	4	15	229-03108	A 08	4	15	401-06607
D 07	4	21	110-02508	A 08	4	21	401-05231
D 07	6	2	B1402-552-000-A	A 08	6	2	229-06101
D 07	6	6	B1414-555-000	A 08	6	6	400-90058
D 07	8	24	110-18207	A 08	8	24	229-20201
D 07	8	28	110-45952	A 08	8	28	229-44854
D 07	8	35	110-06004	A 08	8	35	229-07208
D 07	8	36	229-07000	A 08	8	36	400-17805
D 07	8	40	400-14007	A 08	8	40	400-60989
				A 08	10	11	229-10251
D 07	10	12	110-08208	A 08	10	12	229-10202
D 07	10	15	110-14008	A 08	10	15	229-15003
D 07	10	19	110-10154	A 08	10	19	229-12257
D 07	10	20	110-10410	A 08	10	20	229-12505
D 07	10	60	110-08703	A 08	10	60	400-89548
D 07	10	64	229-12604	A 08	10	64	401-00084
D 07	10	65	110-10709	A 08	10	65	229-12802
D 07	10	66	110-08604	A 08	10	66	400-93417
D 07	12	6	110-40300	A 08	12	6	229-47907
D 07	12	23	110-42264	A 08	12	23	229-49762
D 07	12	38	229-49309	A 08	12	38	110-43700

LIST FOR INFORMATION OF CHANGE (2)

* Rev. No.	Page 頁	Ref. No.	Parts No. 品番	* Rev. No.	Page 頁	Ref. No.	Parts No. 品番
D 07	13	25	111-02753	A 08	13	25	400-85585
D 07	14	15	111-10301	A 08	14	15	401-06936
D 07	14	17	HA-0060000-00	A 08	14	17	HA-0060000-0A
D 07	14	18	HW-2003900-00				
D 07	14	19	HW-5000700-00				
D 07	14	23	HK-0346400-0B				
D 07	18	16	SM-9062563-TR	A 08	18	16	401-01720
D 07	22	1	110-96062				
D 07	22	10	110-73954	A 08	22	10	229-63458
D 07	22	11	110-93606	A 08	22	11	229-63409
D 07	22	19	110-91659	A 08	22	19	401-03560
D 07	22	20	110-91600	A 08	22	20	401-09126
D 07	22	25	110-91303	A 08	22	25	229-70206
D 07	22	27	110-93804	A 08	22	27	229-62401
D 07	22	34	110-91204	A 08	22	34	400-80725
D 07	22	35	229-62203	A 08	22	35	229-70602
D 07	22	37	110-96658	A 08	22	37	400-90750
D 07	22	50	M6013-350-AAF				
D 07	22	55	113-05513	A 08	22	55	229-72608
D 07	23	9	M6019-350-AAA				
D 07	24	6	M6019-350-AAA				
D 07	26	4	110-91204	A 08	26	4	400-80725
D 07	26	9	229-62203	A 08	26	9	229-70602
D 07	26	14	110-93804	A 08	26	14	229-62401
D 07	26	22	110-96658	A 08	26	22	400-90750
D 07	26	25	M6017-350-AAF				
D 07	28	22	M6020-350-AAA				

HOW TO MAKE USE OF THIS PARTS LIST

1.Explanation of codes

1)"*"mark.....means this part is changed from the previous parts book.

As to the details of the change, refer to the "List for information of change".

2)"#01".....refer to "Note" explanation at bottom of page.

2.Codes on the "Qty" column

- Each numeral indicates the number of parts required.
- "0.1" and "2.5" indicate the length (in meters) of the respective parts.

3.Parentheses mean that the corresponding part is a subpart that constructs an assembly part.

4.Dotted lines on the Figures indicate assembly parts.

1."注記"欄の記号説明

1) "*"印.....前回のパーツブックに比較して今回変更された部品を意味します。

変更内容は、"変更情報リスト"を参照してください。

2) "#01".....ページ下の"注記"の説明を参照してください。

2.数量欄の数字は、個数を表し、0.1、2.5等の数値は、長さ（単位メートル）を表します。

3.数量欄の（ ）は、組部品を構成している子部品であることを意味します。

4.イラストページの-----枠は、組構成であることを意味します。

NUMERICAL INDEX OF PARTS

PART NO	PAGE	REF NO.	PART NO	PAGE	REF NO.	PART NO	PAGE	REF NO.
11000304	2	2	11074309	42	25	11231503	40	18
11001906	38	1	11074408	42	22	11313103	16	7
11002409	6	20	11075058	20	1	11400801	32	14
11002904	6	42	11076601	28	2	11403003	32	36
11003308	2	11	11076668	28	1	11403805	34	52
11004207	8	26	11076700	28	3	11409257	32	3
11009800	12	5	11076809	28	5	11409604	32	5
11010311	12	17	11076858	28	4	22900401	2	10
11015906	8	39	11076957	28	6	22900609	2	28
11023017	26	2	11080009	40	11	22900757	2	4
11023504	28	7	11080371	40	10	22901003	4	55
11024304	26	27	11080603	40	12	22901201	4	52
11024700	26	3	11091006	32	15	22901250	4	51
11025202	28	8	11091808	36	2	22901300	4	53
11028008	2	44	11091857	36	1	22901409	8	1
11028008	36	4	11092251	32	26	22901805	2	14
11028172	10	42	11092251	40	13	22903009	6	38
11035003	8	3	11092558	36	9	22903207	6	25
11037405	12	22	11092558	38	3	22903306	6	27
11038650	8	24	11094109	32	43	22903900	6	40
11038759	8	28	11094109	40	19	22904155	6	23
11038809	8	32	11094604	34	56	22904155	14	61
11039203	6	3	11094901	32	9	22905004	8	23
11039351	6	2	11095254	32	17	22905103	8	25
11040052	16	5	11095254	40	20	22906101	8	2
11040359	16	1	11095254	42	27	22906200	8	8
11040409	16	4	11095403	32	6	22906309	8	10
11040508	16	3	11095502	32	4	22906457	8	4
11040854	16	45	11095551	32	2	22906606	6	11
11040953	16	44	11095601	32	7	22907208	10	35
11041852	16	30	11096500	34	58	22907307	10	37
11042504	16	14	11101300	20	15	22907406	10	34
11042553	16	13	11101508	32	47	22907505	10	33
11042850	16	19	11101508	40	6	22907554	10	31
11043304	18	57	11102308	20	12	22907604	10	32
11043700	16	38	11110152	22	20	22907703	10	43
11043908	18	53	11110301	22	15	22907802	10	1
11047057	26	1	11111051	22	23	22908008	10	7
11047107	26	4	11142056	42	37	22908156	10	10
11070851	2	1	11142064	42	36	22908305	10	9
11071453	6	34	11142205	42	6	22908354	10	5
11071495	6	30	11142304	42	23	22908552	10	4
11071909	32	33	11142403	42	17	22908701	10	11
11071909	40	3	11217601	20	28	22908800	10	15
11071909	42	24	11231503	32	38	22908909	10	12

NUMERICAL INDEX OF PARTS

PART NO	PAGE	REF NO.	PART NO	PAGE	REF NO.	PART NO	PAGE	REF NO.
22909006	10	14	22920102	10	30	22928907	28	16
22910004	6	45	22920201	10	24	22929004	28	17
22910053	6	43	22920300	10	27	22930309	30	14
22910103	6	28	22920409	10	25	22930358	30	1
22910202	12	12	22920508	2	30	22930408	30	10
22910251	12	11	22920607	2	47	22930507	30	9
22910350	12	43	22920805	8	7	22930705	30	7
22910806	12	28	22920904	2	43	22930804	30	5
22910905	14	59	22921001	2	31	22930903	30	4
22911002	12	40	22921209	2	38	22931000	30	3
22911101	12	13	22921308	2	33	22931109	30	2
22911507	12	2	22921407	2	34	22931208	30	15
22911606	12	4	22921506	2	37	22931307	30	11
22911804	12	7	22921605	2	39	22931406	30	8
22912000	12	9	22921704	2	35	22932107	26	10
22912109	12	8	22921803	2	36	22932156	26	7
22912257	12	19	22923015	24	14	22932206	26	17
22912505	12	20	22923056	24	12	22932305	26	15
22912703	12	26	22923205	24	17	22932404	26	13
22912752	12	23	22923312	24	13	22932453	26	12
22912802	14	65	22923403	24	19	22932909	8	41
22912901	12	39	22923502	24	21	22934202	26	20
22913008	14	51	22923601	24	20	22934251	26	19
22913701	12	38	22923700	24	15	22934301	26	21
22915003	12	15	22923809	24	18	22934400	26	25
22915151	12	45	22923908	24	22	22934509	26	23
22915201	14	48	22924153	24	6	22934608	26	24
22915359	14	57	22924302	24	7	22935407	4	57
22916001	8	31	22924401	24	3	22937965	6	37
22916100	8	35	22924500	24	11	22940506	12	10
22916308	8	27	22924609	24	27	22940654	14	52
22916506	8	40	22924807	18	64	22940753	12	35
22916555	8	38	22924906	24	10	22940803	12	31
22917058	8	36	22925002	24	9	22940951	12	27
22917157	8	29	22925101	24	5	22941108	12	1
22918064	6	5	22927305	28	27	22941306	12	36
22918072	6	4	22927354	28	13	22942601	8	34
22918106	6	10	22927404	28	28	22944508	10	19
22918304	6	12	22927602	28	29	22944607	10	21
22918403	6	6~9	22928105	28	22	22944706	10	16
22918502	6	6~9	22928303	28	21	22944854	10	28
22918601	6	6~9	22928402	28	20	22945109	10	22
22918700	6	6~9	22928501	28	14	22945307	2	40
22919203	6	29	22928709	28	26	22945356	2	32
22919559	32	32	22928808	28	18	22945406	2	22

NUMERICAL INDEX OF PARTS

PART NO	PAGE	REF NO.	PART NO	PAGE	REF NO.	PART NO	PAGE	REF NO.
22945463	2	21	22956908	22	9	40089548	14	60
22945505	2	25	22957005	22	24	40090058	8	6
22945604	2	23	22957203	22	21	40090750	32	37
22945703	2	26	22958300	2	7	40090750	40	22
22945802	2	24	22962005	32	13	40093417	14	66
22947006	24	1	22962005	40	2	40100084	14	64
22947105	24	25	22962005	42	29	40101720	26	16
22947907	16	6	22962054	32	12	40103560	32	19
22948301	16	35	22962054	40	1	40105231	6	21
22948400	16	37	22962054	42	28	40106606	6	13
22949002	16	43	22962351	34	51	40106607	6	15
22949101	16	40	22962351	40	29	40106936	22	16
22949200	16	41	22962401	32	27	40109126	32	20
22949408	16	29	22962401	40	14	40111022	2	20
22949754	16	24	22962500	32	45	B1109505U00	42	1
22949762	16	23	22962500	40	8	B1128505U00	42	5
22949903	18	50	22962609	32	39	B1213552000A	34	57
22950000	16	26	22962609	40	27	B1215552000	6	26
22950109	16	31	22962708	32	42	B13050120A0	8	14
22950356	16	15	22962708	40	28	B13061550A0	8	16
22950703	16	25	22962807	32	30	B13061550B0	8	13
22950950	16	21	22962807	40	16	B13061550C0	8	12
22951008	18	60	22962906	32	40	B13071550A0	8	19
22951164	18	49	22962906	40	23	B13071550B0	8	18
22951404	18	54	22963409	32	11	B13081550A0	8	21
22951552	18	61	22963458	32	10	B1401505U00A	42	11
22952501	2	18	22964001	36	6	B1401505UA0A	42	10
22953509	20	24	22970206	32	25	B1403553000	32	23
22953657	20	17	22970602	32	35	B1403553000	42	16
22953905	20	19	22970602	40	9	B1418415H00	32	22
22954101	20	4	22972608	34	55	B1419505U00	42	13
22954200	20	5	40010395	32	1	B1420505U00	42	15
22954309	20	6	40010395	40	7	B1421505U00	42	14
22954507	20	13	40011503	36	11	B1505227T00A	36	8
22954606	20	2	40011503	38	6	B1505552000A	32	28
22954705	2	9	40017805	10	36	B1521555000	10	2
22955504	22	2	40023223	32	24	B1613012A00	12	33
22955553	22	1	40054784	36	12	B1613012I00	36	5
22955900	22	13	40054784	38	8	B1613505U00	42	2
22956007	22	14	40054785	36	13	B1808227HA0	42	32
22956106	22	6	40054785	38	7	B1810227H00	42	33
22956205	22	10	40060989	10	40	B18370120A0	36	7
22956304	22	11	40080725	32	34	B18370120A0	42	30
22956403	22	7	40080725	40	4	B8228125000	26	26
22956809	22	18	40085585	20	25	B9121012000	42	35

NUMERICAL INDEX OF PARTS

PART NO	PAGE	REF NO.	PART NO	PAGE	REF NO.	PART NO	PAGE	REF NO.
BP900000000	42	34	RE0250000K0	22	8	SM4041655SP	20	7
CM300200001	2	13	RE0400000K0	16	39	SM4051405SE	30	12
CM301300001	2	12	RE0400000K0	20	23	SM6061610SC	30	6
CQ252000000	24	8	RE0400000KP	20	18	SM8061010TP	12	24
D1127555D00	42	7	RE0500000K0	10	44	SM8061050TP	12	25
D1524555DBA	36	3	RE0500000K0	12	21	SM8063012TR	26	9
D1524555DBA	38	4	RE0500000K0	16	51	SM9061203SE	26	22
D1524555EBL	32	29	RE0500000K0	18	51	SM9062053SR	26	14
D1613155W00	38	5	RE0500000K0	22	19	SM9082023SE	42	18
D1830555BAG	42	31	RE0500000KP	20	14	SS1120710SP	32	18
D2406555D0H	16	10	RE0600000K0	16	34	SS1120710SP	40	21
D2468555B00	20	22	RE0900000K0	20	16	SS1120710SP	42	26
EA9500B0100	6	24	RE1000000K0	26	11	SS2060210SP	16	8
HA001900000	20	11	RE1200000K0	20	20	SS2110915SP	2	46
HA00600000A	22	17	RO029180100	6	41	SS2110920TP	2	45
HK034610140	16	46	RO037180100	10	3	SS4080620TP	12	34
HK03464000B	16	11	RO044240100	6	18	SS4080620TP	16	9
HK03464000B	20	29	RO078190100	14	63	SS4090615SP	6	19
HW500070000	20	9	RO092270200	12	16	SS4110515SP	10	26
M40071100AA	6	35	RO098240100	26	6	SS4110515SP	12	37
M40071100AB	6	36	RO195240100	24	2	SS4110515SP	28	15
MDA100B1100	36	10	SD0460703TP	16	2	SS4110715SP	16	28
MDB100B0900	38	2	SD0460703TP	34	50	SS4110915TP	8	33
MDB100B1100	8	11	SD0490261SP	28	23	SS4120615SP	2	29
MDB100B1600	40	15	SD0500131TP	32	8	SS4120615SP	10	20
MDB100B2100	32	21	SD0550701TP	34	59	SS4120615SP	20	30
NM6040000SN	18	56	SD0600361SP	18	62	SS4120615SP	24	4
NM6050001SE	30	17	SD0630275SP	16	18	SS4120915SP	2	50
NM6060001SE	26	18	SD0640631TP	18	48	SS4120915SP	4	50
NM6080721SE	42	21	SD0641451SP	16	17	SS4120915SP	8	42
NM6160511SE	30	18	SD0650321TP	22	4	SS4120915SP	20	27
NS6090310SP	22	5	SD0700451TP	34	49	SS4120915SP	22	28
NS6090310SP	34	54	SD0700451TP	40	30	SS4121415SP	28	9
NS6110310SP	22	12	SD0700711TP	32	44	SS4150915SP	16	47
NS6110420SP	32	48	SD0700711TP	40	25	SS4151215SP	18	63
NS6110420SP	34	48	SD0720331SP	10	13	SS4151215SP	20	26
NS6110420SP	40	26	SD1000801SH	12	47	SS4151215SP	24	26
NS6150430SP	16	33	SE4301041SR	24	16	SS5060310SP	42	12
NS6620310SP	10	29	SK3412000SC	28	30	SS5090420SP	42	8
NS6660410SH	18	58	SL4030631SC	22	3	SS6060210SP	4	54
NS6660430SP	18	59	SL4030641SE	22	22	SS6080320SP	32	16
NS6680410SP	12	42	SL4030851SF	24	23	SS6080320SP	42	9
RC0150001KP	12	56	SL4051001MZ	6	39	SS6080410SP	2	3
RC0150001KP	14	56	SM4031501SC	20	8	SS6090510SP	16	16
RC1850001KP	6	22	SM4040655SP	20	3	SS6090540SP	22	25

NUMERICAL INDEX OF PARTS

PART NO	PAGE	REF NO.	PART NO	PAGE	REF NO.
SS6090620TP	12	41	TA2000502R0	2	16
SS6090670TP	8	5	TA2101002R0	2	19
SS6090670TP	12	3	WP0371016SD	34	53
SS6090810SP	10	39	WP0450000SD	18	55
SS6110420TP	8	30	WP0450801SD	6	32
SS6110610TP	4	48	WP0450826SC	28	31
SS6110710TP	18	52	WP0480856SP	14	54
SS6111010TP	24	24	WP0480856SP	42	4
SS6111210SP	6	31	WP0482086SD	22	27
SS6121210SP	12	46	WP0501016SD	28	10
SS6121610SP	12	44	WP0621016SH	16	32
SS6121840SP	2	17	WP0722316SH	32	46
SS6121850TP	42	3	WP0722316SH	40	5
SS6121860SP	14	67	WP0871602SE	42	19
SS6660610TP	16	20	WP1602616SZ	20	21
SS6661110SP	6	44	WP1612616SE	30	19
SS6700710SH	26	5	WS0451040KP	24	28
SS7080510TP	8	9	WS0510002KN	30	16
SS7081310SP	28	24	WS0651310KP	24	29
SS7090610SP	16	42	WS0861410KR	42	20
SS7091110SP	10	41	WS1643202KR	30	20
SS7110350SP	28	19	WT0530002KS	4	56
SS7110740TP	14	55			
SS7110740TP	32	31			
SS7110740TP	40	17			
SS7111120SP	14	58			
SS7120770SH	12	6			
SS7121410TP	14	53			
SS7681650TP	6	14			
SS8090670SP	2	41			
SS8110410TP	8	37			
SS8110510SP	28	25			
SS8110520TP	16	22			
SS8150710SP	2	42			
SS8150710TP	12	29			
SS8151150TP	6	1			
SS8151550SP	6	33			
SS8660610TP	6	17			
SS8660610TP	14	62			
SS8660810TP	8	22			
SS8660810TP	10	38			
SS8681650TP	6	16			
TA0850604R0	2	5			
TA1250406R0	4	49			
TA1250705R0	2	6			