

MODEL : DLU-5490N SERIES

List No : 0914-10

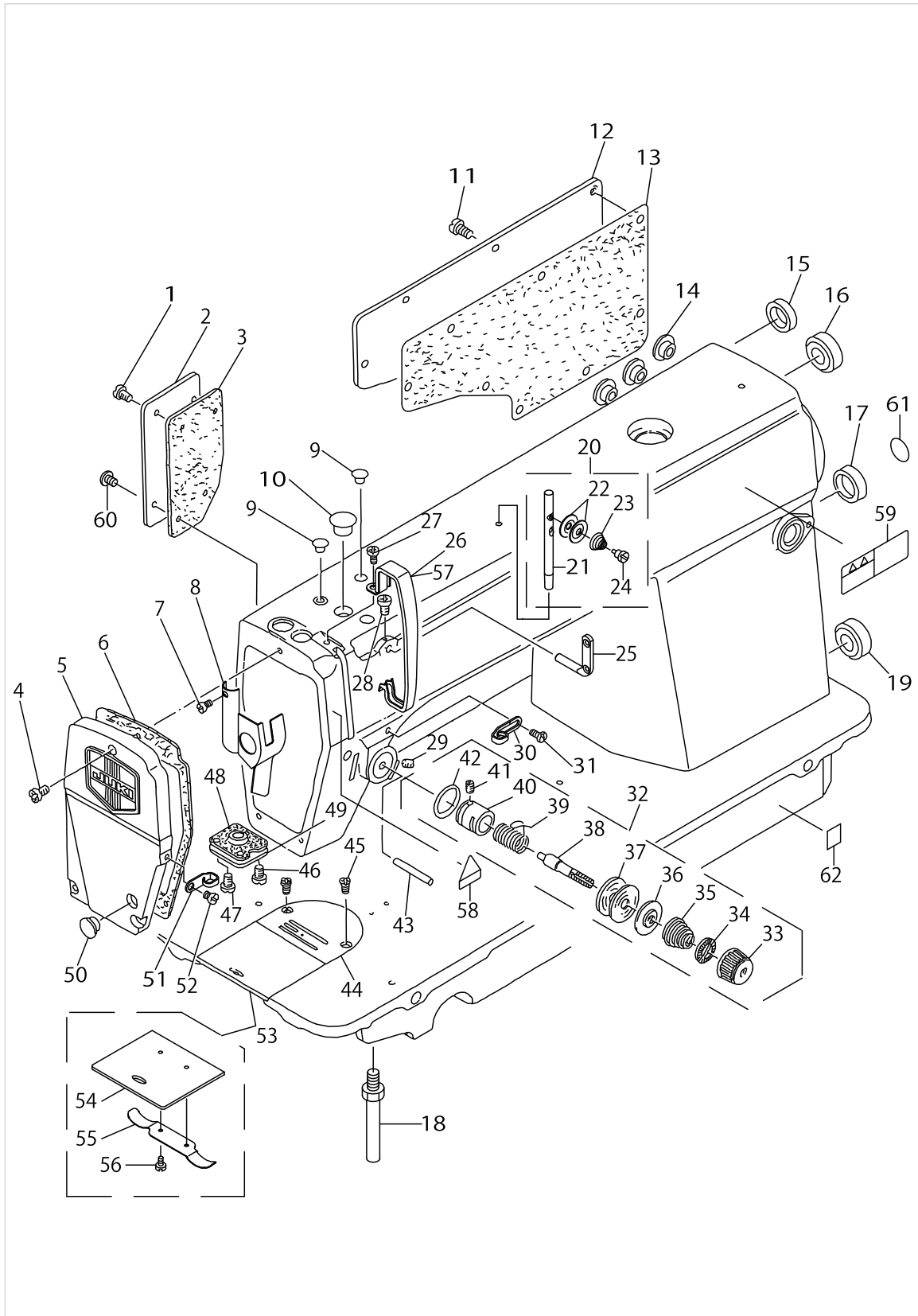
PARTS LIST

Published:09/10/2017

CONTENTS

MACHINE FRAME & MISCELLANEOUS COVER COMPONENTS	1
MAIN SHAFT & THREAD TAKE-UP LEVER COMPONENTS	5
NEEDLE BAR, UPRIGHT SHAFT & HOOK DRIVING SHAFT COMPONENTS	7
HAND LIFTER COMPONENTS	9
FEED MECHANISM COMPONENTS.....	13
TOP FEED MECHANISM COMPONENTS (1).....	17
TOP FEED MECHANISM COMPONENTS (2).....	21
OIL LUBRICATION COMPONENTS	23
OIL RESERVOIR COMPONENTS	25
BELT COVER & BOBBIN WINDER COMPONENTS	27
THREAD STAND COMPONENTS.....	29
PF-6: PEDAL/KNEE PRESSER-CONTROLLED GATHERING MECHANISM (SPECIAL ORDER	31
PARTS)	
LIST FOR INFORMATION OF CHANGE.....	35
HOW TO MAKE USE OF THIS PARTS LIST	36

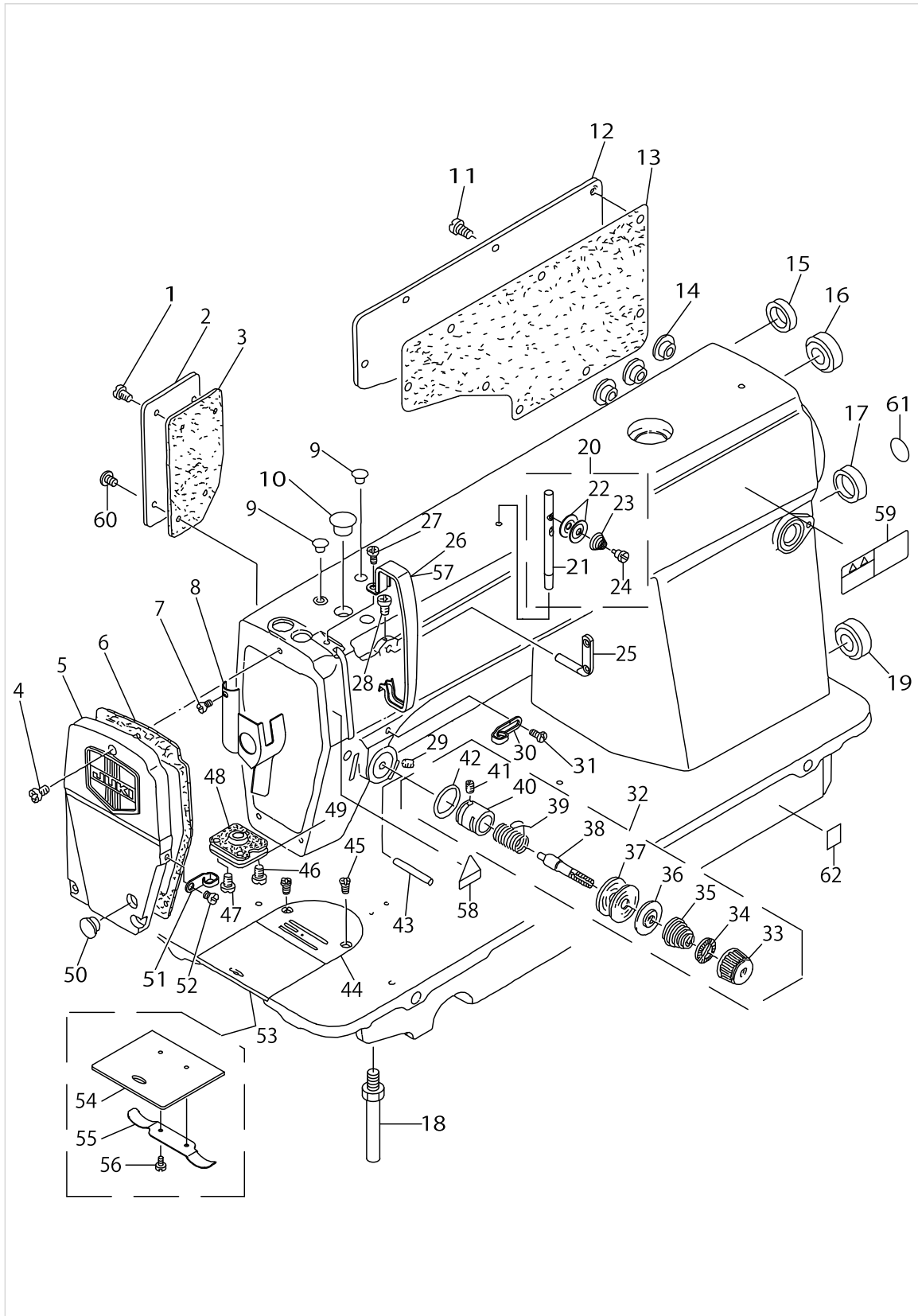
MACHINE FRAME & MISCELLANEOUS COVER COMPONENTS



MACHINE FRAME & MISCELLANEOUS COVER COMPONENTS

No.	Parts No.	Parts name	Remarks	Level	Cons	Qty
1	SS4120915SP	SCREW 3/16-28 L=9				3
2	11255809	SIDE COVER				1
3	11200607	GASKET				1
4	SS4121015SP	SCREW 3/16-28 L=10				3
5	11255650	FACE PLATE ASM.				1
6	11200201	GASKET				1
7	SS6080410SP	SCREW 1/8-44 L=4				1
8	22900757	FACE PLATE OIL SHIELD ASM.				1
9	TA0850604R0	RUBBER PLUG				2
10	TA1250705R0	RUBBER PLUG				1
11	SS4120915SP	SCREW 3/16-28 L=9				8
12	22900401	WINDOW PLATE				1
13	11003308	GASKET				1
14	TA1470704R0	RUBBER PLUG				3
15	TA1470702R0	RUBBER PLUG				1
16	TA2101002R0	RUBBER PLUG				1
17	TA2000502R0	RUBBER PLUG				1
18	22901003	BED SCREW STUD				4
19	TA2101002R0	RUBBER PLUG				1
20	22932552	NEEDLE THREAD GUIDE PIN ASM.				1
21	22932503	THREAD GUIDE ROD		*		1
22	22932602	THREAD GUIDE DISK		*		2
23	22932701	THREAD GUIDE DISK SPRING		*		1
24	SD0380552SL	HINGE SCREW D=3.8 H=5.5		*		1
25	22920706	TWO EYELET				1
26	22900609	THREAD TAKE-UP LEVER COVER				1
27	SS4120615SP	SCREW 3/16-28 L=6				1
28	SS4120615SP	SCREW 3/16-28 L=6				1
29	SS8150710TP	SCREW 15/64-28 L=7				1
30	22920508	ARM THREAD GUIDE A				1
31	22921001	SCREW				1
32	11257359	THREAD TENSION ASM.				1
33	22921308	THREAD TENSION NUT		*		1
34	22921407	ROTATION STOPPER		*		1
35	22921704	THREAD TENSION SPRING A		*		1
36	22921803	DISK STOPPER		*		1
37	22921506	THREAD TENSION DISK		*		2
38	22921209	THREAD TENSION POST		*		1
39	22921605	THREAD TAKE-UP SPRING		*		1
40	11220209	TENSION POST SOCKET		*		1
41	SS8090410SP	SCREW 9/64-40 L= 3.5		*		1
42	RO133170100	RUBBER RING		*		1
43	B3118552C00	TENSION RELEASE PIN C				1
44	B1109450B0B	THROAT PLATE B				1
45	SS2110915SP	SCREW 11/64-40 L=8.5				2
46	11200805	PRESSER BAR SUPPORT SCREW B				1
47	SS1120710SP	SCREW 3/16-28 L=6.5				2

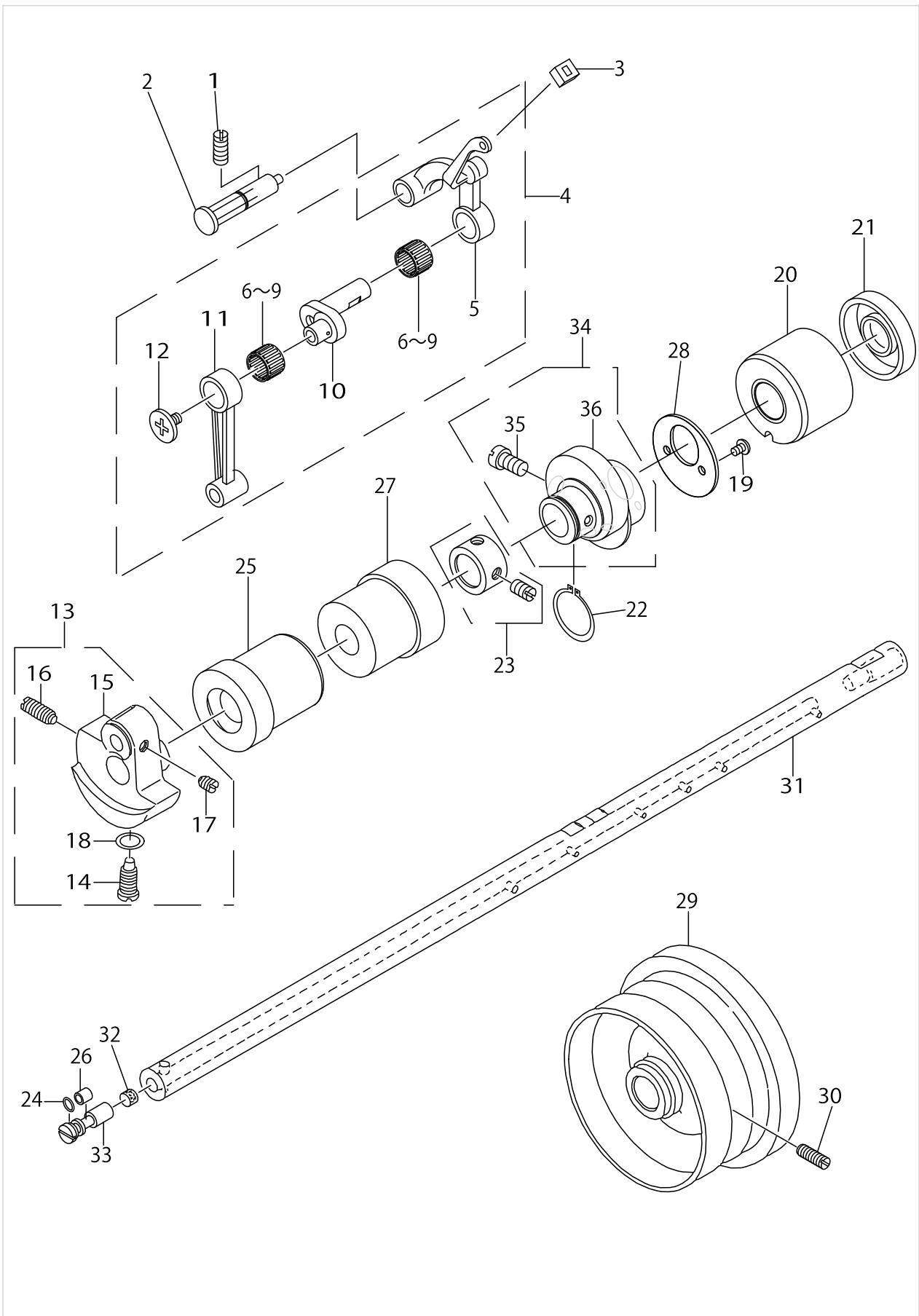
MACHINE FRAME & MISCELLANEOUS COVER COMPONENTS



MACHINE FRAME & MISCELLANEOUS COVER COMPONENTS

No.	Parts No.	Parts name	Remarks	Level	Cons	Qty
48	11200409	GASKET				1
49	11200300	PRESSER BAR SUPPORT				1
50	TA1250406R0	RUBBER PLUG D=12.5 L=4				1
51	22920607	ARM THREAD GUIDE B				1
52	SS6110610TP	SCREW 11/64-40 L=6				1
53	22901250	SLIDE PLATE ASM.				1
54	22901201	SLIDE PLATE		*		1
55	22901300	SLIDE PLATE SPRING		*		1
56	SS6060210SP	SCREW 3/32-56 L= 1.9		*		2
57	11415205	THREAD TAKE-UP LEVER COVER(JE)	FOR JE			1
58	CM300200001	ATTENTION SEAL				1
59	CM301300001	SAFETY LABEL				1
60	SS4120615SP	SCREW 3/16-28 L=6				1
61	10004109	GROUND MARK				1
62	40116677	GOST_SAFTY_LABEL_S	FOR JE			1

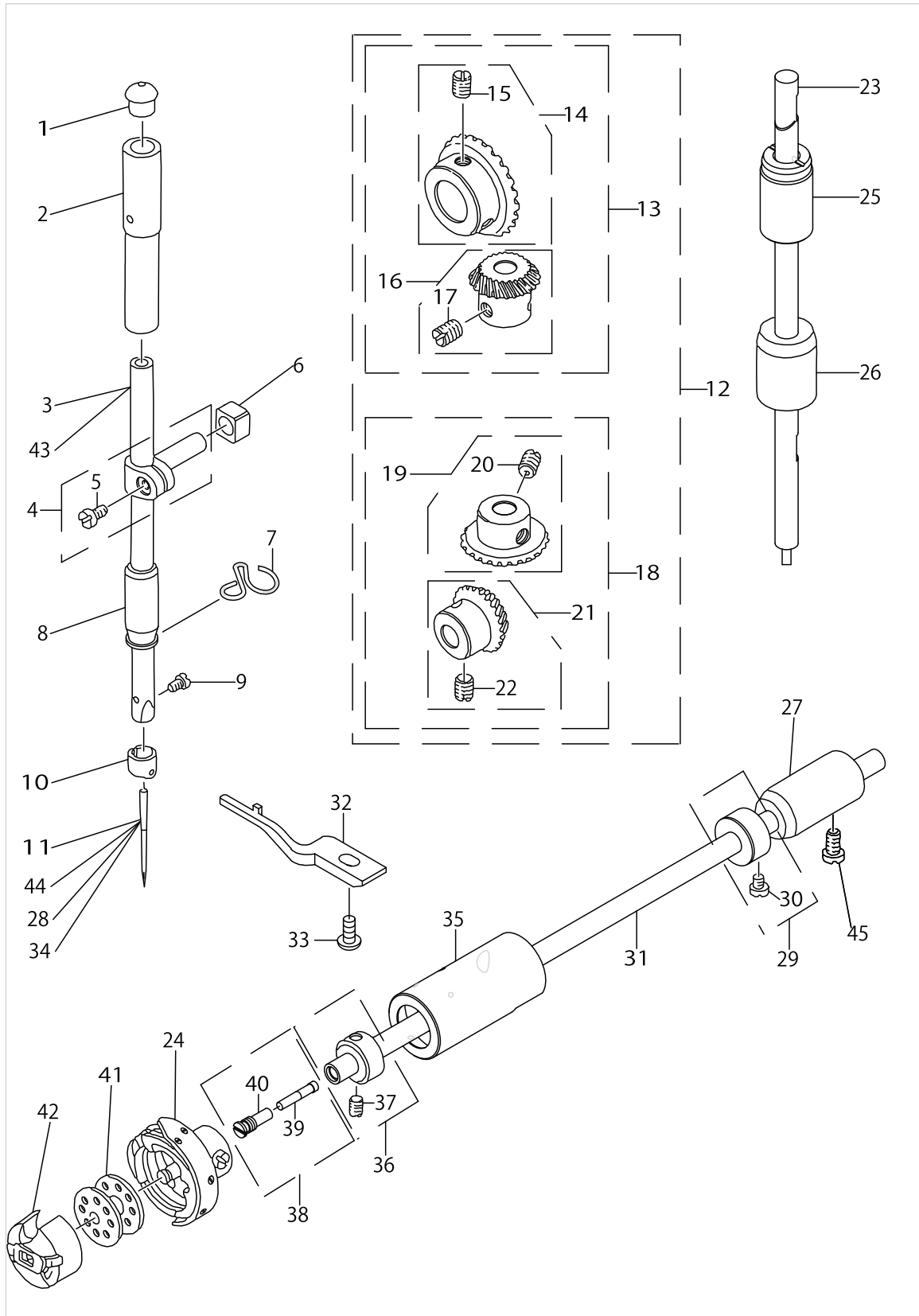
MAIN SHAFT & THREAD TAKE-UP LEVER COMPONENTS



MAIN SHAFT & THREAD TAKE-UP LEVER COMPONENTS

No.	Parts No.	Parts name	Remarks	Level	Cons	Qty
1	SS8151150TP	SCREW 15/64-28 L=10.5				1
2	11017357	THREAD TAKE-UP CRANK SHAFT ASM.				1
3	22919203	OIL PROTECTING RUBBER				1
4	22918072	THREAD TAKE-UP LEVER COMPL.				1
5	22918064	THREAD TAKE-UP LEVER ASM.		*		1
6	22918403	NEEDLE BEARING A	SELECTIVE PART	*		2
7	22918502	NEEDLE BEARING B	SELECTIVE PART	*		2
8	22918601	NEEDLE BEARING C	SELECTIVE PART	*		2
9	22918700	NEEDLE BEARING D	SELECTIVE PART	*		2
10	22918106	NEEDLE BAR CRANK		*		1
11	22906606	NEEDLE BAR CRANK ROD		*		1
12	22918304	LEFT SCREW		*		1
13	40095789	COUNTER WEIGHT_LU ASM.				1
14	SS7681650TP	SCREW 9/32-28 L=16		*		1
15	11202173	COUNTERWEIGHT ASM.		*		1
16	SS8681650TP	SCREW 9/32-28 L=16		*		1
17	SS8660610TP	SCREW 1/4-40 L=6		*		2
18	RO044240100	RUBBER RING		*		1
19	SS4090615SP	SCREW 9/64-40 L=6				2
20	11002409	MAIN SHAFT BUSHING REAR				1
21	40105231	OIL SEAL				1
22	RC1850001KP	SNAP RING 18.5				1
23	22904155	MAIN SHAFT THRUST COLLAR ASM.				1
24	RO029180100	RUBBER RING				1
25	11202207	MAIN SHAFT BUSHING FRONT				1
26	B1215552000	OIL ADJUSTING COLLAR				1
27	11202306	BUSHING INTERMEDIATE				1
28	22910103	THRUST COLLAR				1
29	11071305	HAND WHEEL				1
30	SS8151550SP	SCREW 15/64-28 L=15				2
31	11202009	MAIN SHAFT				1
32	B1226552000	ROLLER FELT				1
33	B1213552000A	OIL ADJUSTING PIN				1
34	22910053	FEED DRIVE ECCENTRIC CAM ASM.				1
35	SS6661110SP	SCREW 1/4-40 L=11		*		2
36	22910004	FEED DRIVE ECCENTRIC CAM		*		1

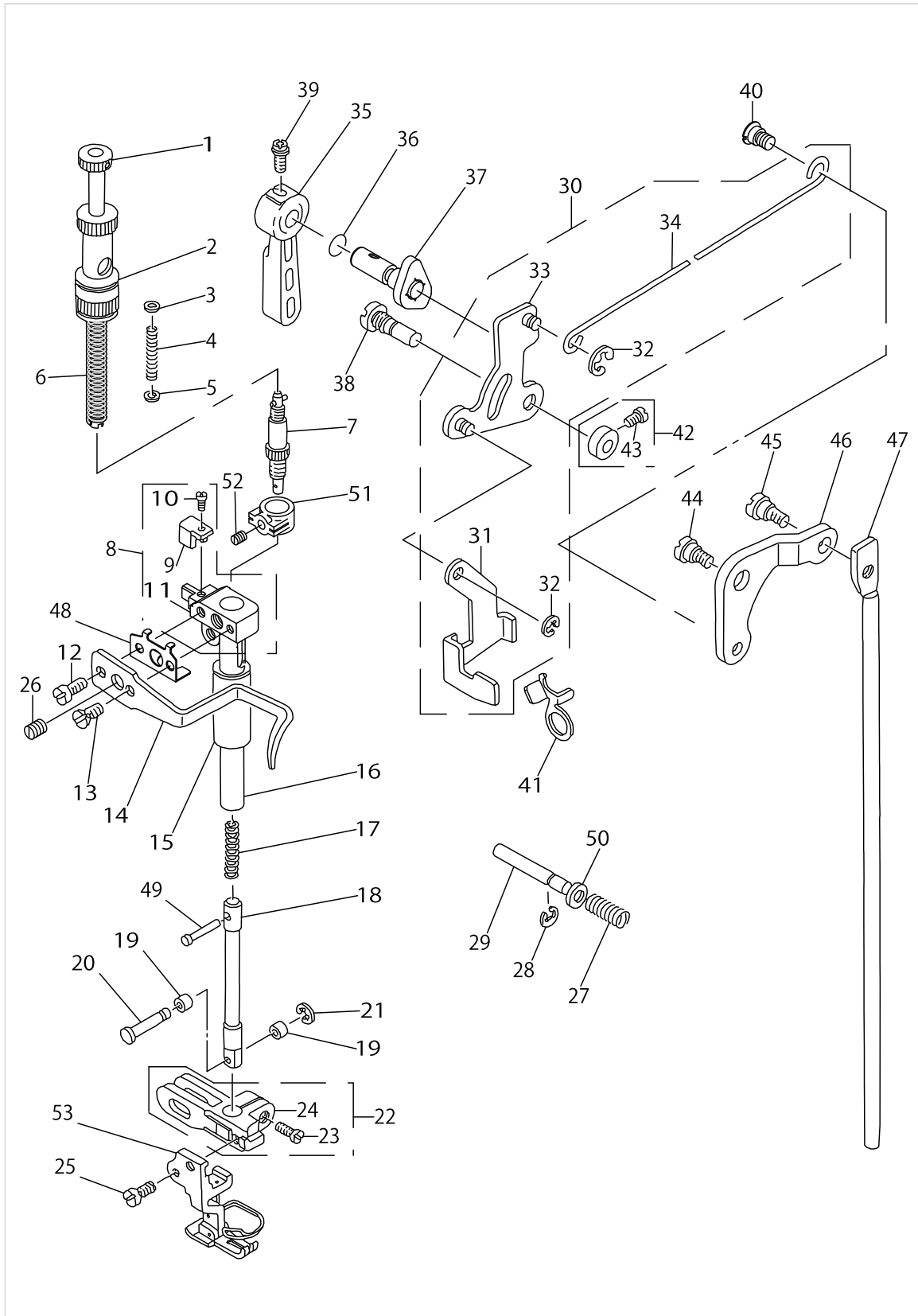
NEEDLE BAR, UPRIGHT SHAFT & HOOK DRIVING SHAFT COMPONENTS



NEEDLE BAR, UPRIGHT SHAFT & HOOK DRIVING SHAFT COMPONENTS

No.	Parts No.	Parts name	Remarks	Level	Cons	Qty
1	22901409	NEEDLE BAR UPPER BUSH CAP				1
2	22906101	NEEDLE BAR BUSHING UPPER				1
3	11035003	NEEDLE BAR				1
4	22906457	NEEDLE BAR HOLDER ASM.				1
5	SS6090670TP	SCREW 9/64-40 L=6		*		1
6	40090058	SLIDE BLOCK				1
7	22920805	NEEDLE BAR THREAD GUIDE				1
8	22906200	NEEDLE BAR BUSHING LOWER				1
9	SS7080510TP	SCREW 1/8-44 L=4.5				1
10	11226016	NEEDLE BAR THREAD GUIDE				1
11	MDB100B1400	NEEDLE DBX1 #14				1
12	B13061550C0	GEAR & PINION ASM.				1
13	B13061550B0	GEAR & PINION ASM. UPPER		*		1
14	B13050120A0	GEAR ASM.		*		1
15	SS8660810TP	SCREW 1/4-40 L=8		*		2
16	B13061550A0	PINION ASM.		*		1
17	SS8660810TP	SCREW 1/4-40 L=8		*		2
18	B13071550B0	GEAR & PINION ASM. LOWER		*		1
19	B13071550A0	GEAR ASM. LARGE		*		1
20	SS8660810TP	SCREW 1/4-40 L=8		*		2
21	B13081550A0	PINION ASM.		*		1
22	SS8660810TP	SCREW 1/4-40 L=8		*		2
23	22905004	UPRIGHT SHAFT				1
24	B18301270A0	HOOK ASM.				1
25	11203106	BUSHING UPPER				1
26	11004207	UPRIGHT SHAFT BUSHING LOWER				1
27	22916308	HOOK DRIVING SHAFT BUSH REAR				1
28	MC200500750	NEEDLE 134 NM75	FOR JE			1
29	CS079101ASH	THRUST COLLAR ASM. D=7.94 W=10				1
30	SS6110420TP	SCREW 11/64-40 L=4.8		*		2
31	22916001	HOOK DRIVING SHAFT				1
32	22916407	BOBBIN CASE POSITIONING FINGER				1
33	SS4110915TP	SCREW 11/64-40 L=9				1
34	MDP500B1400	NEEDLE DPX5 #14	FOR JO			1
35	22916100	HOOK DRIVING SHAFT BUSH FRONT				1
36	CS079073ASH	THRUST COLLAR ASM.				1
37	SS8110410TP	SCREW 11/64-40 L= 3.5		*		2
38	22916555	OIL SEAL SCREW ASM.				1
39	22916605	OIL WICK		*		1
40	22916506	SET SCREW		*		1
41	22932909	BOBBIN				1
42	B18370120A0	BOBBIN CASE ASM.				1
43	11141207	NEEDLE BAR	FOR JE,JO			1
44	MDB100B1100	NEEDLE DBX1 #11	FOR USE IN JAPAN			1
45	SS4120915SP	SCREW 3/16-28 L=9				1

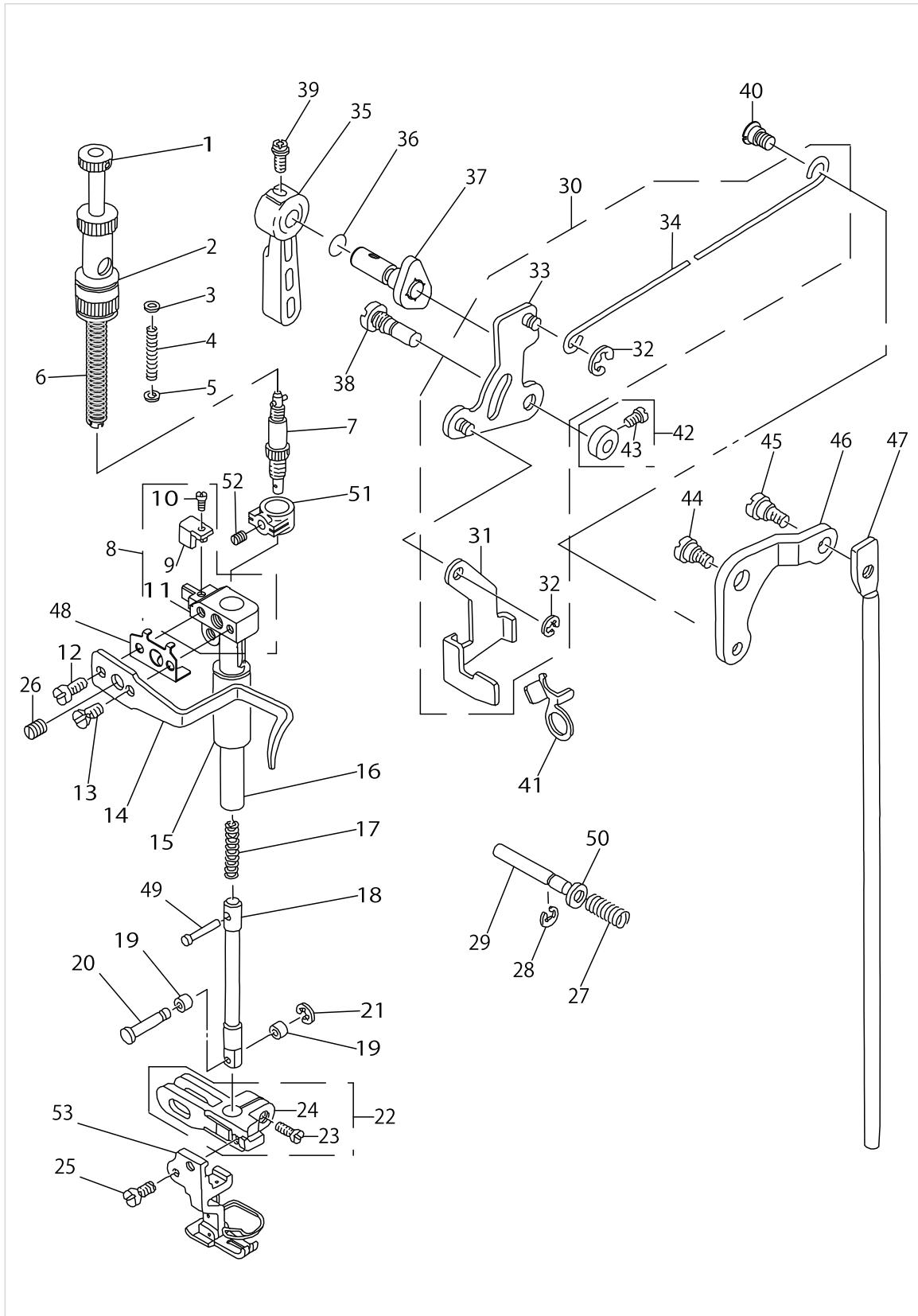
HAND LIFTER COMPONENTS



HAND LIFTER COMPONENTS

No.	Parts No.	Parts name	Remarks	Level	Cons	Qty
1	11204559	PRESSER SPRING REGULATOR ASM.				1
2	11204609	NUT				1
3	WP0650816SP	WASHER				1
4	11205002	GUIDE BAR SPRING				1
5	WP0661016SP	WASHER				1
6	22907406	PRESSER SPRING				1
7	11217353	CAP ASM.				1
8	11204161	PRESSER ROD HOLDER ASM.				1
9	11204211	BRACKET GUIDE		*		1
10	SS4080620TP	SCREW 1/8-44 L=6		*		1
11	11204112	PRESSER BAR GUIDE BRACKET		*		1
12	SS7110910TP	SCREW 11/64-40 L= 8.5				1
13	SS6090910SP	SCREW 9/64-40 L=9				1
14	22907307	THREAD GUIDE				1
15	11204401	BUSHING				1
16	11204013	PRESSER BAR				1
17	11217601	WALKING FOOT SPRING				1
18	11217015	DRIVING BAR				1
19	11217213	ROLLER				2
20	11217114	ROLLER SHAFT				1
21	RC0260415KP	SNAP RING				1
22	11215258	PRESSER BAR BASE ASM.				1
23	SS6121220TP	SCREW 3/16-28 L=11.5		*		1
24	11215209	PRESSER BAR BASE		*		1
25	SS6121220TP	SCREW 3/16-28 L=11.5				1
26	SS8660610TP	SCREW 1/4-40 L=6				1
27	22920409	THREAD RELEASE PIN SPRING				1
28	RE0400000K0	E-RING 4				1
29	11220001	PIN				1
30	11205150	LIFTING PLATE				1
31	11205101	LIFTING LEVER		*		1
32	RE0500000K0	E-RING		*		2
33	22908156	LIFTING LINK ASM.		*		1
34	22908305	KNEE LIFTER SIDE ROD		*		1
35	22907802	HAND LIFTER				1
36	RO037180100	RUBBER RING				1
37	22908552	HAND LIFTER CAM ASM.				1
38	11205218	LIFTING LEVER LINK SHAFT				1
39	B1521555000	SCREW				1
40	22908909	HINGE SCREW				1
41	11220100	TENSION RELEASE PLATE				1
42	CS064061ASP	THRUST COLLAR ASM.				1
43	SS7090620TP	SCREW 9/64-40 L=6.1		*		1
44	SD0720331SP	HINGE SCREW D= 7.24 H= 3.3				1
45	SD0600322SD	HINGE SCREW D=6 H=3.2				1
46	11205309	LIFTING LEVER LINK				1
47	11205408	CONNECTING ROD				1

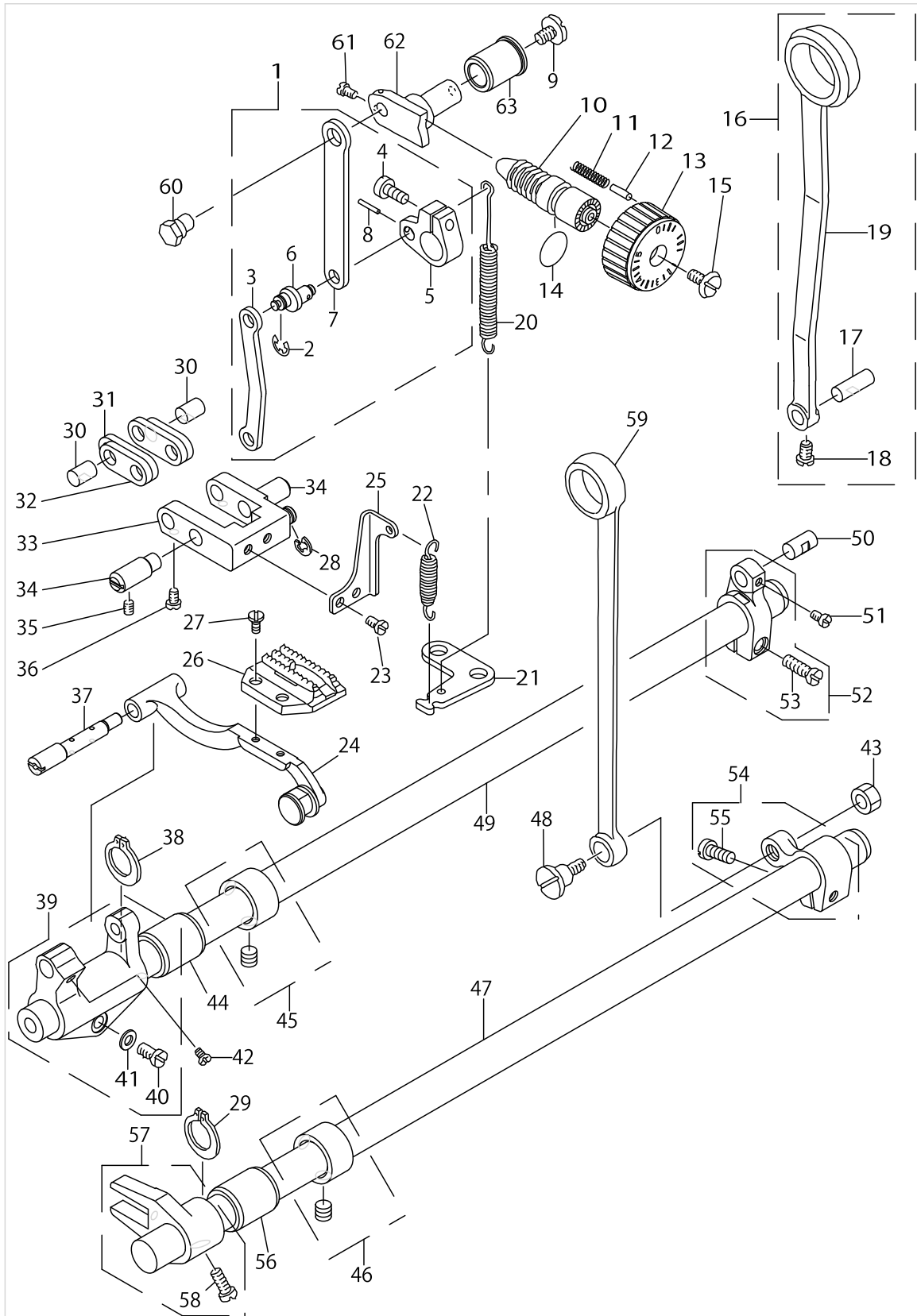
HAND LIFTER COMPONENTS



HAND LIFTER COMPONENTS

No.	Parts No.	Parts name	Remarks	Level	Cons	Qty
48	11204302	BRACKET PLATE				1
49	11216918	DRIVING BAR PIN				1
50	11220308	THRUST WASHER				1
51	11205507	PRESSER ROD STOPPER				1
52	SS8110422TP	SCREW 11/64-40 L=4				1
53	B1524491BB0	PRESSER FOOT ASM. B				1

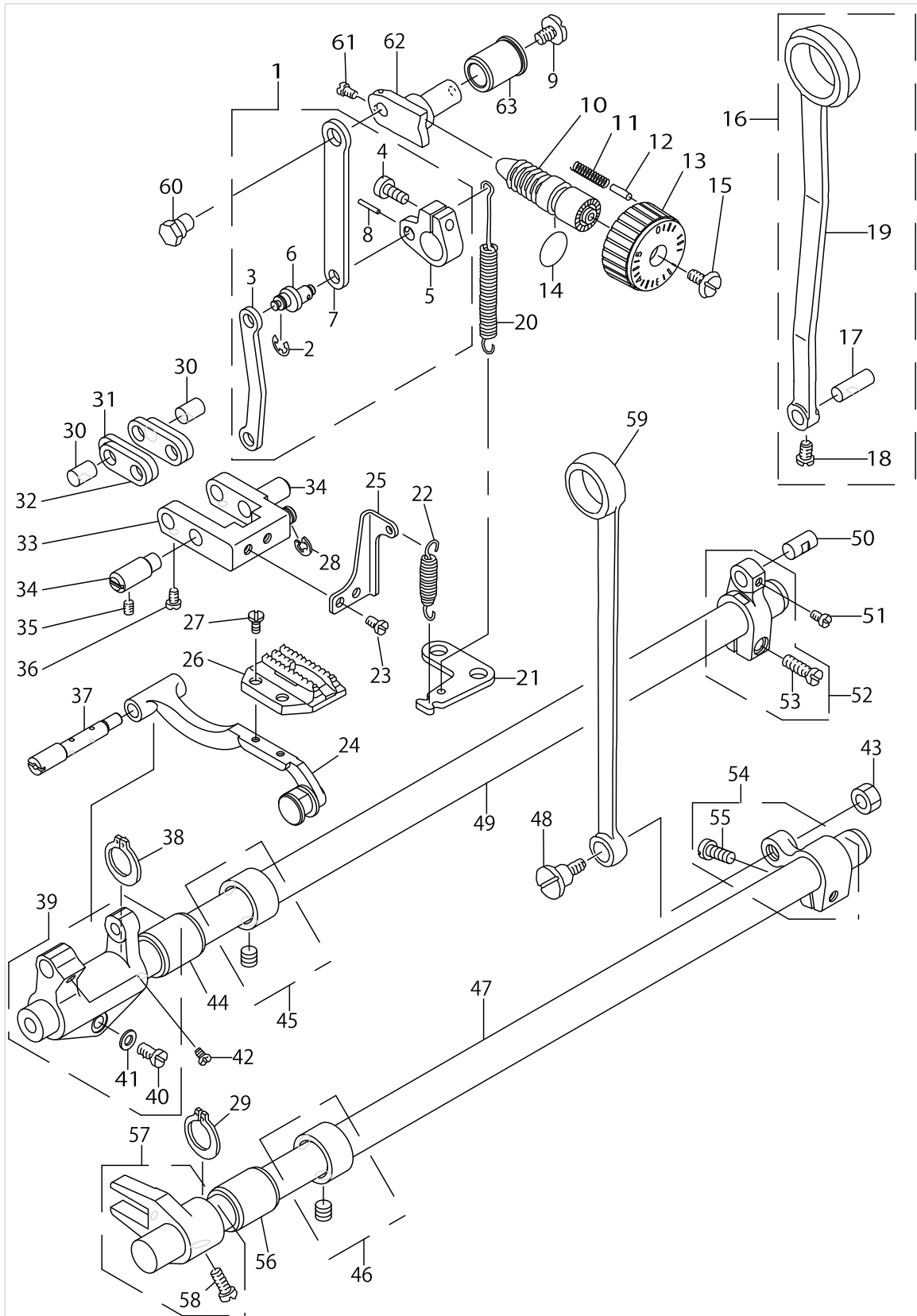
FEED MECHANISM COMPONENTS



FEED MECHANISM COMPONENTS

No.	Parts No.	Parts name	Remarks	Level	Cons	Qty
1	11206463	FEED CHANGING ARM ASM.				1
2	RE0500000K0	E-RING		*		1
3	11206208	CONNECTING ROD B		*		1
4	SS6121220TP	SCREW 3/16-28 L=11.5		*		1
5	11206505	FEED DRIVING LINK		*		1
6	11206604	FEED DRIVING LINK PIN		*		1
7	11206109	CONNECTING ROD A		*		1
8	11207107	DRIVING LINK STOPPER PIN		*		1
9	SS7120770SH	SCREW 3/16-28 L=7				1
10	22911804	FEED REGULATOR SCREW				1
11	22912109	FEED REGULATOR PIN SPRING				1
12	22912000	FEED REGULATOR PIN				1
13	22911903	FEED DIAL				1
14	RO092270200	RUBBER RING				1
15	SS6121860SP	SCREW 3/16-28 L=18				1
16	40080424	CONNECTING ROD ASM.				1
17	22911101	WALKING FOOT PIN C		*		1
18	SS6090620TP	SCREW		*		1
19	11206000	CONNECTING ROD		*		1
20	11010311	FEED REVERSE SPRING				1
21	22913701	FEED SPRING HOOK				1
22	11037405	SPRING				1
23	SS7110510SP	SCREW 11/64-40 L=5				2
24	22971857	FEED BASE ASM.				1
25	40071856	ADJUSTING LINK SPRING GUIDE				1
26	B1613450A00	FEED DOG A				1
27	SS4080620TP	SCREW 1/8-44 L=6				2
28	RE0500000K0	E-RING				1
29	RC0150001KP	RETAINING RING 13.8				1
30	22910905	WALKING FOOT PIN A				2
31	40089548	CONNECTING LINK B				2
32	40093417	CONNECTING LINK A				2
33	22910459	FEED ADJUSTING LINK ASM.				1
34	22910806	ADJUST LINK FULCRUM SHAFT A				2
35	SS8150710TP	SCREW 15/64-28 L=7				2
36	SS6090620TP	SCREW				2
37	22940803	FEED BAR SHAFT				1
38	RC0150001KP	RETAINING RING 13.8				1
39	22940654	FEED ROCKER ASM.				1
40	SS7121410TP	SCREW 3/16-28 L=14		*		1
41	WP0480856SP	WASHER 4.8X8.4X0.8		*		1
42	SS7110740TP	SCREW 11/64-40 L=7				1
43	NS6680410SP	NUT 9/32-28				1
44	22913008	FEED ROCKER SHAFT BUSHING				1
45	22904155	MAIN SHAFT THRUST COLLAR ASM.				1
46	22904155	MAIN SHAFT THRUST COLLAR ASM.				1
47	22915201	FEED DRIVING SHAFT				1

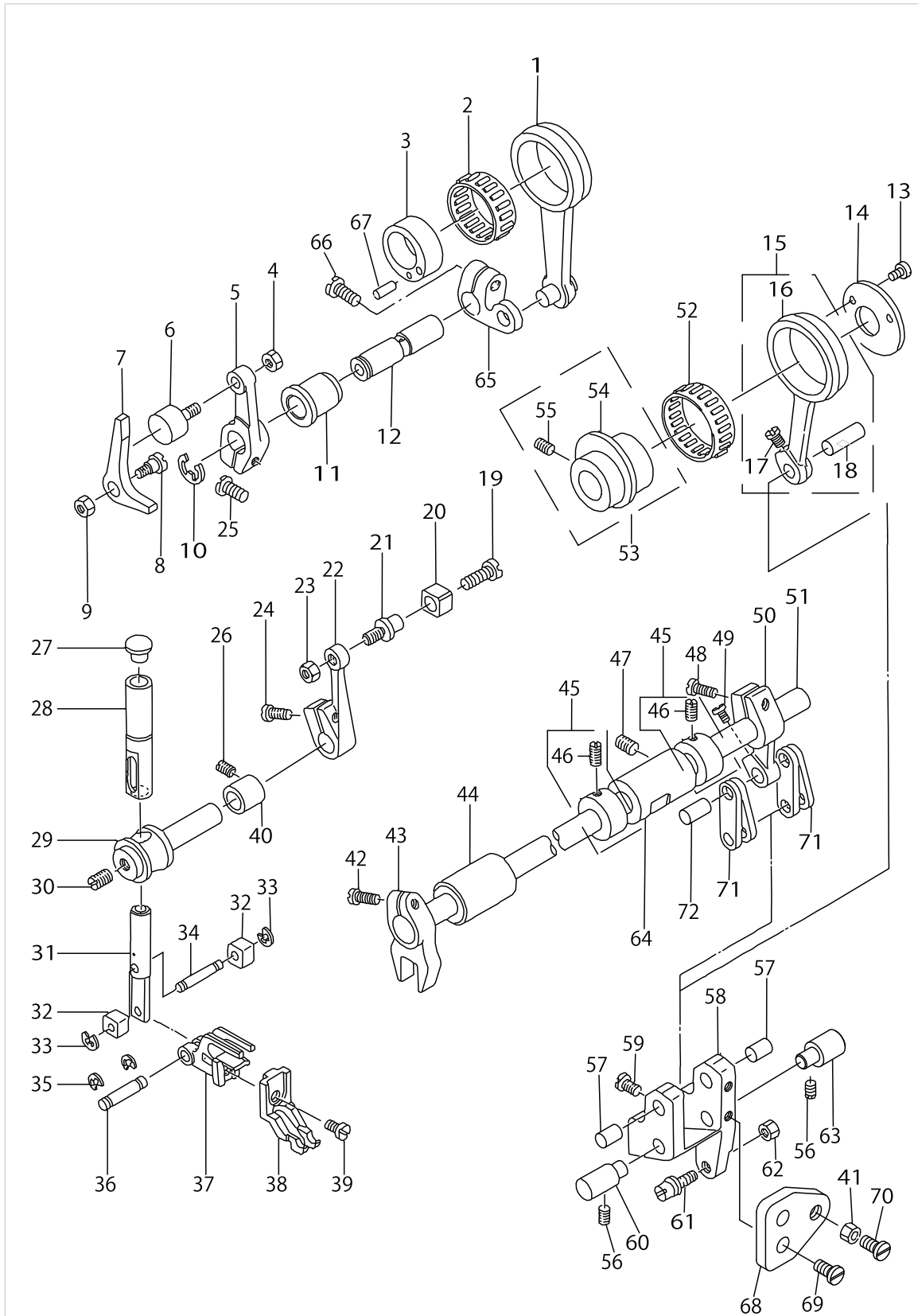
FEED MECHANISM COMPONENTS



FEED MECHANISM COMPONENTS

No.	Parts No.	Parts name	Remarks	Level	Cons	Qty
48	SD1000801SH	HINGE SCREW D=10 H=8				1
49	22912901	FEED ROCKER SHAFT				1
50	22911002	WALKING FOOT PIN B				1
51	SS6090620TP	SCREW				1
52	22910350	FEED ROCKER SHAFT CRANK ASM.				1
53	SS6121610SP	SCREW 3/16-28 L=15.5		*		1
54	22915151	FEED ARM COMPL.				1
55	SS7121610SP	SCREW 3/16-28 L=15.5		*		1
56	22913008	FEED ROCKER SHAFT BUSHING				1
57	22915359	DRIVING SHAFT CRANK ASM.				1
58	SS7111120SP	SCREW 11/64-40 L=10.5		*		1
59	22915003	CONNECTING ROD				1
60	11206307	FEED REGULATOR PIN				1
61	SS6090670TP	SCREW 9/64-40 L=6				2
62	11206406	FEED REGULATOR				1
63	22911705	FEED REGULATOR BUSHING				1

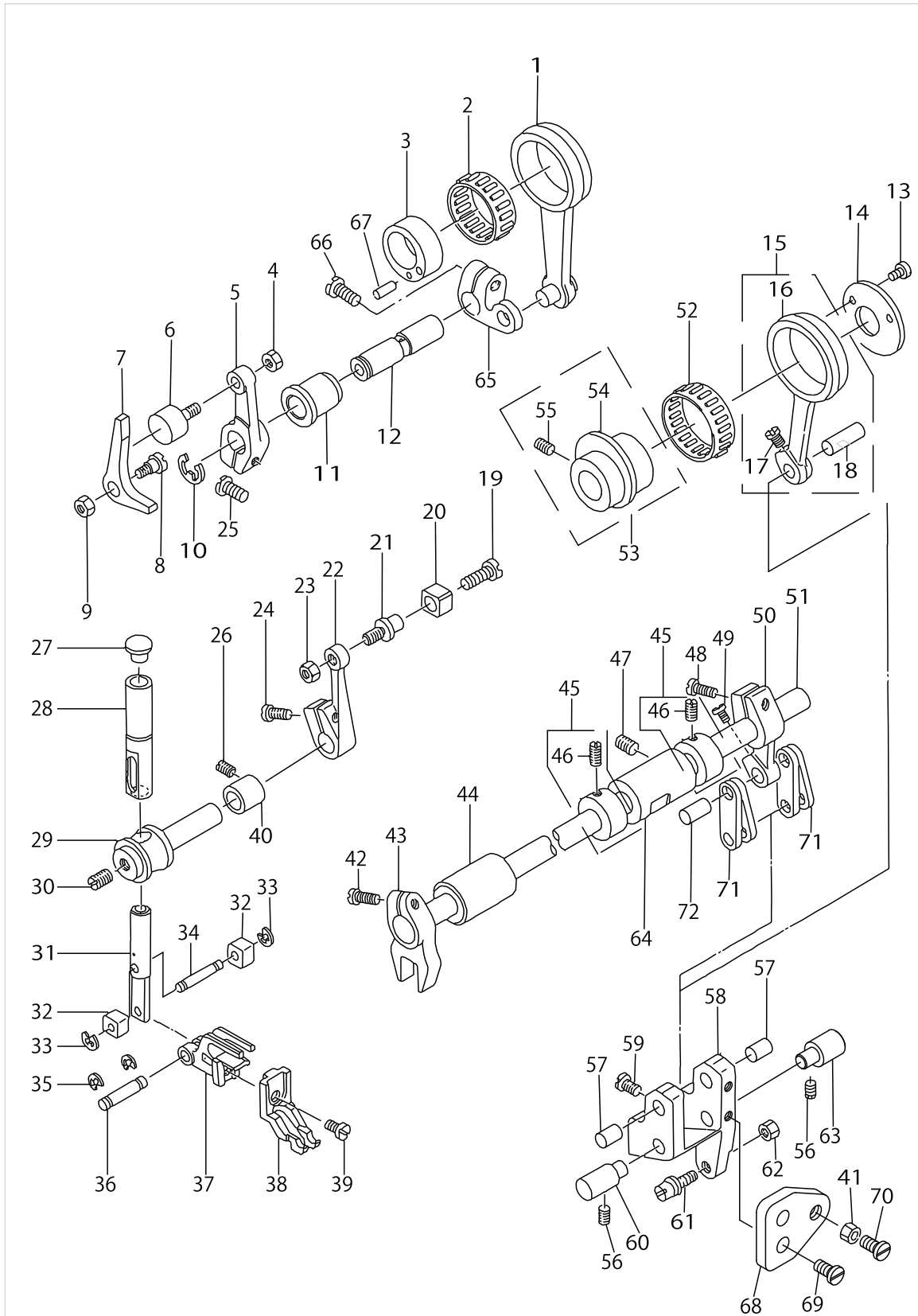
TOP FEED MECHANISM COMPONENTS (1)



TOP FEED MECHANISM COMPONENTS (1)

No.	Parts No.	Parts name	Remarks	Level	Cons	Qty
1	11216157	WALKING FOOT DRIVING ROD ASM.				1
2	B1609804B00	NEEDLE BEARING				1
3	11216009	WALKING FOOT DRIVING CAM				1
4	NM6040001SD	NUT M4				1
5	11216603	DRIVING ARM FRONT				1
6	11216702	DRIVING ROLLER				1
7	11216801	DRIVING PRESSER ARM				1
8	SD0640451TP	HINGE SCREW D=6.35 H=4.5				1
9	NS6620310SP	NUT 3/16-32				1
10	RE0700000K0	E-RING 7				1
11	11216504	DRIVING SHAFT BUSHING				1
12	11216405	WALKING FOOT DRIVING SHAFT				1
13	SS6090630SP	SCREW 9/64-40 L=6				2
14	11210119	THRUST COLLAR				1
15	40078218	WALKING FOOT DRIVING ROD ASM.				1
16	11210200	WALKING FOOT DRIVING ROD		*		1
17	SS7090910TP	SCREW 9/64-40 L= 8.5		*		1
18	22911101	WALKING FOOT PIN C		*		1
19	SS7110570SP	SCREW 11/64-40 L= 4.8				1
20	11214301	ROLLER				1
21	11214202	WALING FOOT HORIZONTAL LOWER				1
22	11214103	FEED ROCKER SHAFT CRANK LOWER				1
23	NS6120310SP	NUT 3/16-28				1
24	SS6121220TP	SCREW 3/16-28 L=11.5				1
25	SS6121250TP	SCREW 3/16-28 L=11.5				1
26	SS8120410SP	SCREW 3/16-28 L=3.8				1
27	TA0850604R0	RUBBER PLUG				1
28	11214608	FEED ROCKER BAR BUSHING				1
29	11214400	FEED ROCKER SHAFT				1
30	SS8150410SP	SCREW 15/64-28 L=4				1
31	11214756	HORIZONTAL BAR ASM.				1
32	11215118	ROLLER				2
33	RC0330415KP	SNAP RING				2
34	11215019	ROLLER SHAFT				1
35	RC0330415KP	SNAP RING				2
36	11214806	PIN				1
37	11214905	WALKING FOOT MOUNT				1
38	B3026490B00	WALKING FOOT B				1
39	SS6110610TP	SCREW 11/64-40 L=6				1
40	11214509	BUSHING				1
41	NS6110310SP	NUT 11/64-40				1
42	SS6121220TP	SCREW 3/16-28 L=11.5				1
43	11214004	FEED ROCKER SHAFT CRANK UPPER				1
44	11211000	ROCK SHAFT BUSHING FRONT				1
45	CS120101BSH	THRUST COLLAR ASM.				2
46	SS8660410SP	SCREW 1/4-40 L= 4.2		*		4
47	SS8120740SP	SCREW 3/16-28 L=7				1

TOP FEED MECHANISM COMPONENTS (1)



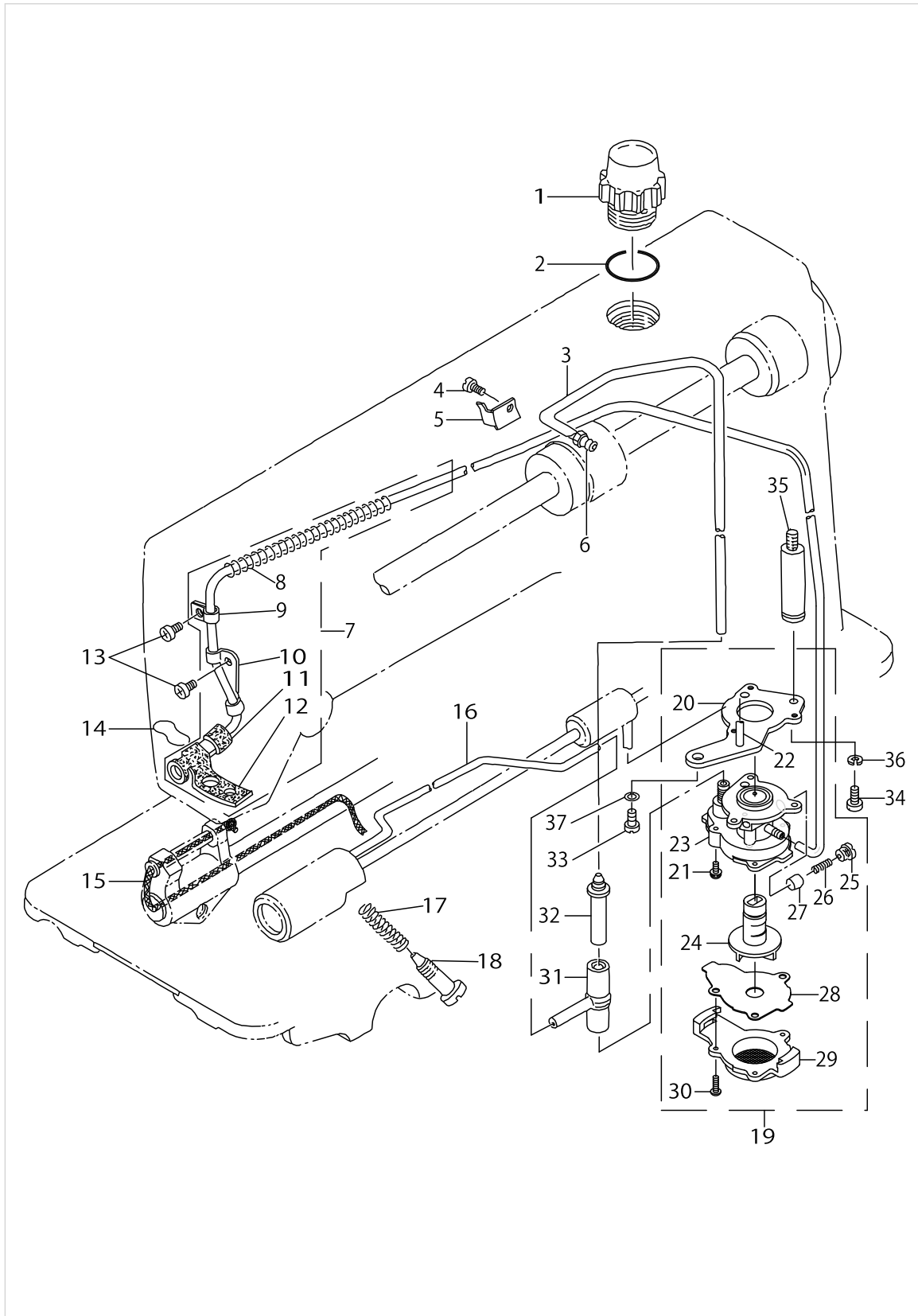
TOP FEED MECHANISM COMPONENTS (1)

No.	Parts No.	Parts name	Remarks	Level	Cons	Qty
48	SS6121220TP	SCREW 3/16-28 L=11.5				1
49	SS7090910SP	SCREW 9/64-40 L= 8.5				1
50	11210705	WALKING FOOT ARM				1
51	11210804	WALKING FOOT ROCK SHAFT				1
52	B412352200B	NEEDLE ROLLAR				1
53	11210051	LEVEL CAM ASM.				1
54	11210002	CAM		*		1
55	SS8660530TP	SCREW 1/4-40 L= 4.5		*		2
56	SS8120740SP	SCREW 3/16-28 L=7				2
57	22910905	WALKING FOOT PIN A				2
58	11210325	WALKING FOOT ADJUSTING LINK				1
59	SS7090910SP	SCREW 9/64-40 L= 8.5				2
60	11210507	WALKING FOOT FULCRUM SHAFT A				1
61	11210408	WALKING FOOT ADJUSTING PIN				1
62	NS6620310SP	NUT 3/16-32				1
63	11210614	FULCRUM SHAFT B				1
64	11210903	ROCK SHAFT BUSHING REAR				1
65	11216306	DRIVING ARM REAR				1
66	SS6121220TP	SCREW 3/16-28 L=11.5				1
67	B3016450000A	PIN				1
68	11213311	ADJUSTING LINK STOPPER PLATE				1
69	SS7110910TP	SCREW 11/64-40 L= 8.5				2
70	SS7111410TP	SCREW 11/64-40 L=14				1
71	11008703	WALKING FOOT LINK				4
72	22911002	WALKING FOOT PIN B				1

TOP FEED MECHANISM COMPONENTS (2)

No.	Parts No.	Parts name	Remarks	Level	Cons	Qty
1	CS070061ASD	THRUST COLLAR ASM.				1
2	SS6090510SP	SCREW 9/64-40 L=5		*		1
3	11206653	REVERSE FEED BUSHING ASM.				1
4	11212909	STOPPER INDICATOR SPRING				1
5	11212156	STOPPER INDICATOR ASM.				1
6	11211455	WALKING FOOT LEVER COLLAR ASM.				1
7	SS6110820TP	SCREW 11/64-40 L=8				1
8	WP0600816SP	WASHER				1
9	11256708	REVERSE FEED CONTROL LEVER				1
10	SD1000701TP	HINGE SCREW D=10 H=7				1
11	PS0150065KP	SPRING PIN 1.5X6				1
12	11211851	ADJUSTING SHAFT ASM.				1
13	B3037470000	BALL				1
14	B2920490000	SPRING				1
15	SS6111030TP	SCREW 11/64-40 L=9.7				1
16	11213006	WALKING FOOT GRADUATION PLATE				1
17	SS4120615SP	SCREW 3/16-28 L=6				2
18	B1211980000	UPPER SHAFT THRUST BEARING				1
19	SS6121250TP	SCREW 3/16-28 L=11.5				1
20	TA1750502R0	RUBBER PLUG D=17.5 L=5				1
21	SS7620750SP	SCREW 3/16-32 L= 6.5				1
22	11211109	WALKING FOOT ADJUSTING ARM				1
23	11211307	ADJUSTING LINK SPRING				1
24	RO069180100	RUBBER RING				1
25	B1644490000	NEEDLE BEARING				1
26	B1641490000	OIL SEAL				1
27	B1242980000	THRUST WASHER SMALL				1
28	11212610	STOPPER PIN				1
29	11212206	STOPPER BASE				1
30	SS4120615SP	SCREW 3/16-28 L=6				2
31	11212701	STOPPER SPRING				1
32	11212800	STOPPER WASHER				1
33	RE0320000K0	E-RING 3.2				1
34	11212354	STOPPER SCREW ASM.				1
35	11211208	WALKING FOOT LEVER SHAFT				1
36	SS9111113TP	SCREW 11/64-40 L=11				1
37	NS6110310SP	NUT 11/64-40				1

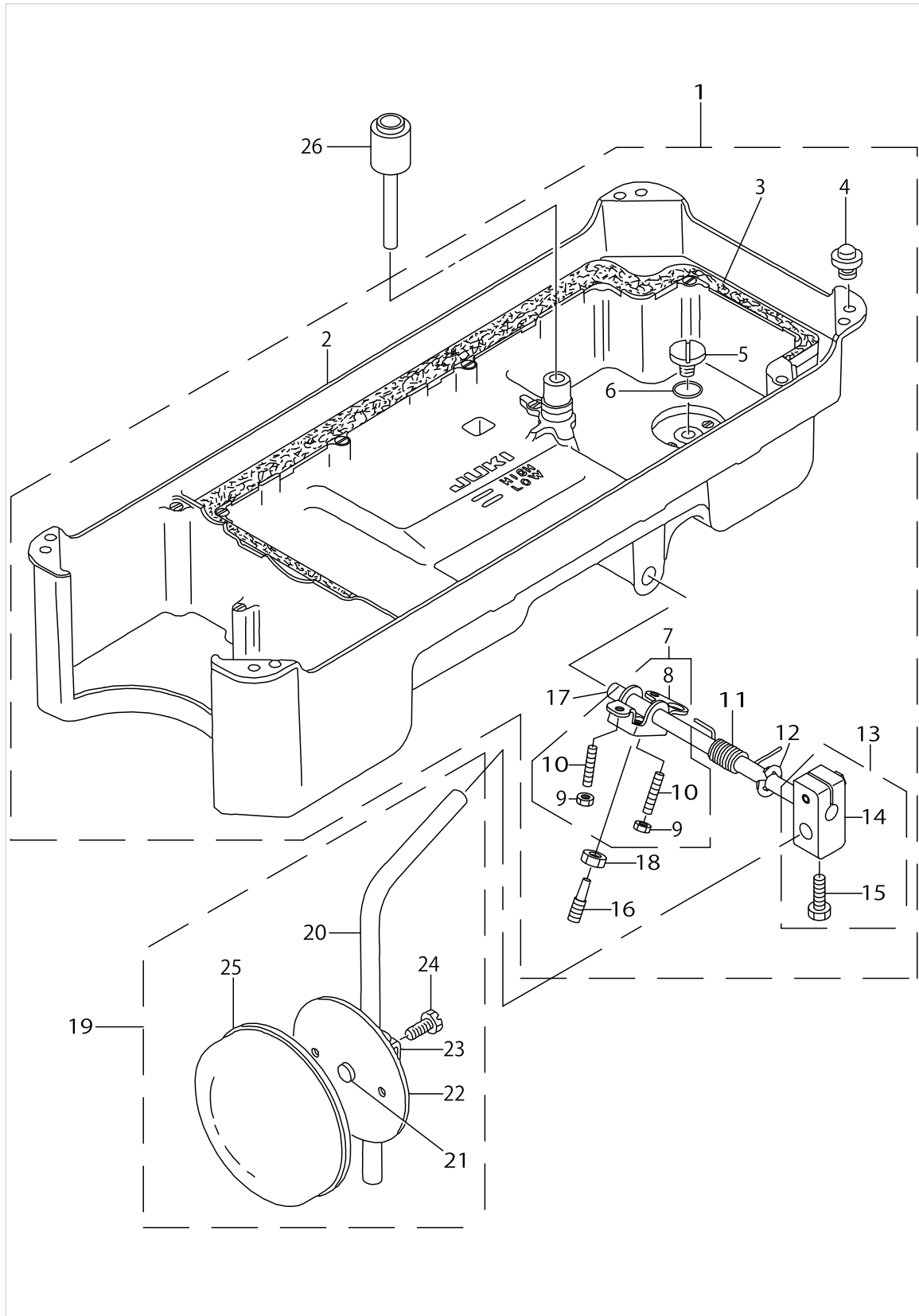
OIL LUBRICATION COMPONENTS



OIL LUBRICATION COMPONENTS

No.	Parts No.	Parts name	Remarks	Level	Cons	Qty
1	22924708	OIL SIGHT WINDOW				1
2	RO195240100	RUBBER RING				1
3	BT0600402EA	OIL TUBE				0.3
4	SS6080340SP	SCREW 1/8-44 L=2.9				1
5	11222007	HOLDER				1
6	SQ1150501SD	CONNECTING SCREW				1
7	11221652	OIL TUBE ASM.				1
8	B3404122000	SPRING		*		1
9	B3536122000	HOLDER		*		1
10	11221801	HOLDER A		*		1
11	11221702	FELT B		*		1
12	11221603	FELT A		*		1
13	SS4120615SP	SCREW 3/16-28 L=6				2
14	11221900	OIL FELT PRESSER				1
15	CQ252000000	OIL WICK				0.3
16	22924500	HOOK OIL TUBE				1
17	22924906	OIL REGULATOR SCREW SPRING				1
18	22925002	OIL REGULATOR SCREW				1
19	22923056	OIL PUMP ASM.				1
20	22923312	OIL PUMP INSTALLING BASE		*		1
21	SL4030851SF	SCREW M3 L=8		*		3
22	22923908	HOOK DRIVING SHAFT OILING PIPE		*		1
23	22923015	OIL PUMP		*		1
24	22923700	IMPELLER		*		1
25	22923502	PLUNGER SCREW		*		1
26	22923601	PLUNGER SPRING		*		1
27	22923403	PLUNGER		*		1
28	22923809	PUMP BODY SUPPORT PLATE		*		1
29	22923205	PUMP BODY COVER		*		1
30	SE4301041SR	SCREW D=3 L=10		*		3
31	22924609	RUBBER JOINT				1
32	11221504	OIL TUBE JOINT				1
33	SS4150915SP	SCREW 15/64-28 L=9				1
34	SS6111010TP	SCREW 11/64-40 L= 9.5				1
35	22924005	PUMP BODY STRUT				1
36	WS0451040KP	SPRING WASHER 4.5X8.5X1				1
37	WS0651310KP	SPRING WASHER 6.5X11X1.3				1

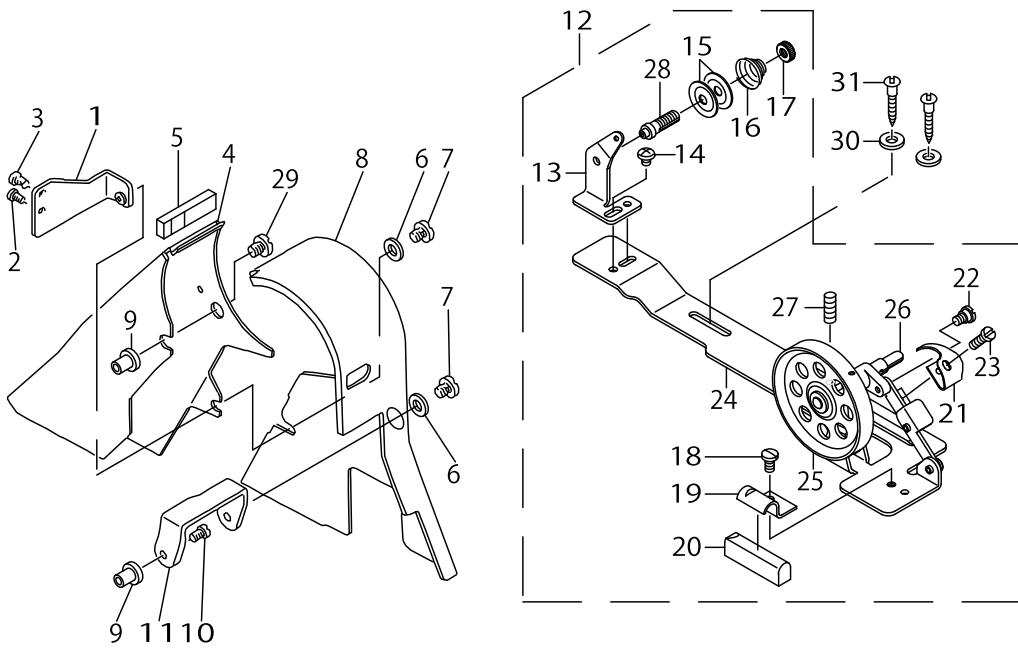
OIL RESERVOIR COMPONENTS



OIL RESERVOIR COMPONENTS

No.	Parts No.	Parts name	Remarks	Level	Cons	Qty
1	11047057	OIL RESERVOIR ASM.				1
2	11023017	OIL RESERVOIR		*		1
3	11024700	GASKET		*		1
4	11047107	RUBBER CUSHION		*		4
5	SS6700710SH	SCREW 5/16-24 L=7		*		1
6	RO098240100	RUBBER RING		*		1
7	22932156	KNEE LIFTER ROTATION ARM ASM.		*		1
8	22932107	KNEE LIFTER ROTATION ARM		*		1
9	NM6060001SE	NUT M6		*		2
10	SM8063012TR	SCREW M6 L=30		*		2
11	22932206	SPRING		*		1
12	RE1000000K0	E-RING 10		*		1
13	22932453	BRACKET ASM.		*		1
14	22932404	BRACKET		*		1
15	22934707	BRACKET SCREW		*		2
16	40101720	SCREW_M6		*		1
17	22932305	KNEE PRESS CROSS SHAFT		*		1
18	NM6060001SE	NUT M6		*		1
19	11023751	KNEE PRESS PLATE ASM.				1
20	B3419122000	KNEE LIFTER PLATE ROD		*		1
21	11024403	RUBBER		*		1
22	11023702	KNEE PRESS PLATE		*		1
23	11023801	KNEE PRESS PLATE HOLDER		*		1
24	SM9061203SE	SCREW M6 L=12		*		1
25	B3431552000A	KNEE PRESS PLATE COVER		*		1
26	11024304	KNEE PRESS LIFTER ROD				1

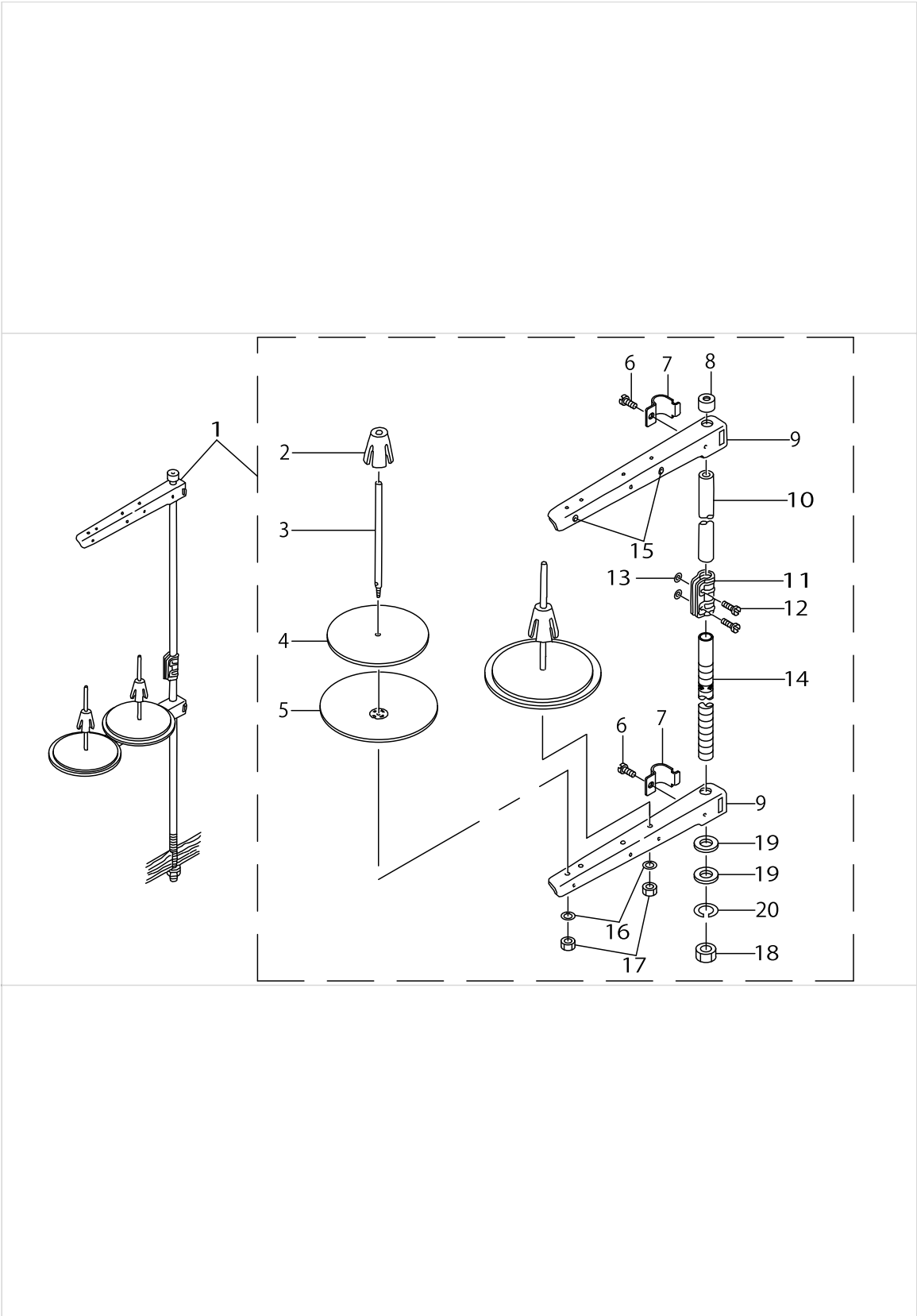
BELT COVER & BOBBIN WINDER COMPONENTS



BELT COVER & BOBBIN WINDER COMPONENTS

No.	Parts No.	Parts name	Remarks	Level	Cons	Qty
1	11222601	BELT COVER STAY A				1
2	SS4120915SP	SCREW 3/16-28 L=9				1
3	SS4150915SP	SCREW 15/64-28 L=9				1
4	11258308	BELT COVER A				1
5	11222908	COVER FELT				1
6	WP0480856SP	WASHER 4.8X8.4X0.8				2
7	SS7110710SP	SCREW 11/64-40 L=7				2
8	11258407	BELT COVER B				1
9	11023603	BELT COVER COLLAR				2
10	SS7701510SP	SCREW 5/16-24 L=15				1
11	11222700	BELT COVER STAY B				1
12	22927354	BOBBIN WINDER COMPL.				1
13	22928501	THREAD TENSION POST BASE		*		1
14	SS4110515SP	SCREW 11/64-40 L=5		*		1
15	22928907	THREAD TENSION DISK		*		2
16	22929004	THREAD TENSION SPRING		*		1
17	22928808	NUT		*		1
18	SS7110350SP	SCREW 11/64-40 L=3.5		*		1
19	22928402	CONTROL RUBBER HOLDING PLATE		*		1
20	22928303	CONTROL RUBBER		*		1
21	22928105	BOBBIN PRESSER		*		1
22	SD0490261SP	HINGE SCREW D=4.9 H=2.6		*		1
23	SS7081310SP	SCREW 1/8-44 L=12.5		*		1
24	22927305	BOBBIN WINDER BASE		*		1
25	22927404	BOBBIN WINDER		*		1
26	22927602	BOBBIN WINDER SPINDLE		*		1
27	SS8110510SP	SCREW 11/64-40 L=5		*		1
28	22928709	THREAD TENSION POST		*		1
29	SS7701010SP	SCREW 5/16-24 L=10				1
30	WP0450826SC	WASHER 4.5X10X0.8				2
31	SK3412000SC	WOOD SCREW D=4.1 L=20				2

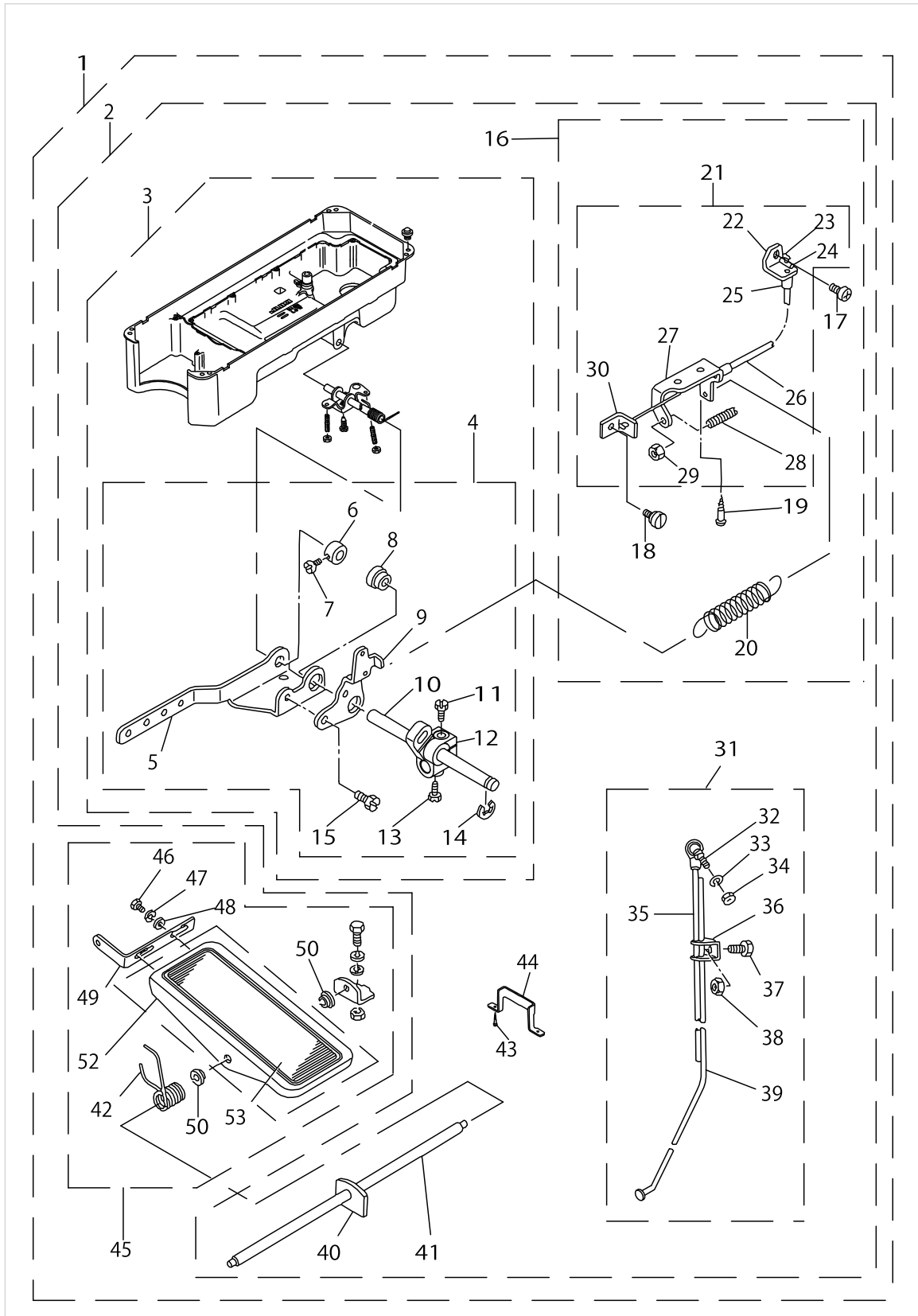
THREAD STAND COMPONENTS



THREAD STAND COMPONENTS

No.	Parts No.	Parts name	Remarks	Level	Cons	Qty
1	22930358	THREAD STAND ASM.				1
2	22931109	SPOOL RETAINER		*		2
3	22931000	SPOOL PIN		*		2
4	22930903	SPOOL REST CUSHION		*		2
5	22930804	SPOOL REST		*		2
6	SM6061610SC	SCREW M6 L=16		*		2
7	22930705	THREAD GUIDE ARM JOINT		*		2
8	22931406	SPOOL REST ROD RUBBER CAP		*		1
9	22930507	SPOOL REST ARM		*		2
10	22930408	SPOOL REST ROD UPPER		*		1
11	22931307	SPOOL REST ROD JOINT		*		1
12	SM4051405SE	SCREW M5 L=14		*		2
13	NM6050001SE	NUT M5		*		2
14	22930309	SPOOL REST ROD LOWER		*		1
15	22931208	THREAD GUIDE		*		2
16	WS0510002KN	SPRING WASHER		*		2
17	NM6050001SE	NUT M5		*		2
18	NM6160511SE	NUT M16X1.5		*		1
19	WP1612616SE	WASHER 16.1X30X2.6		*		2
20	WS1643202KR	SPRING WASHER		*		1

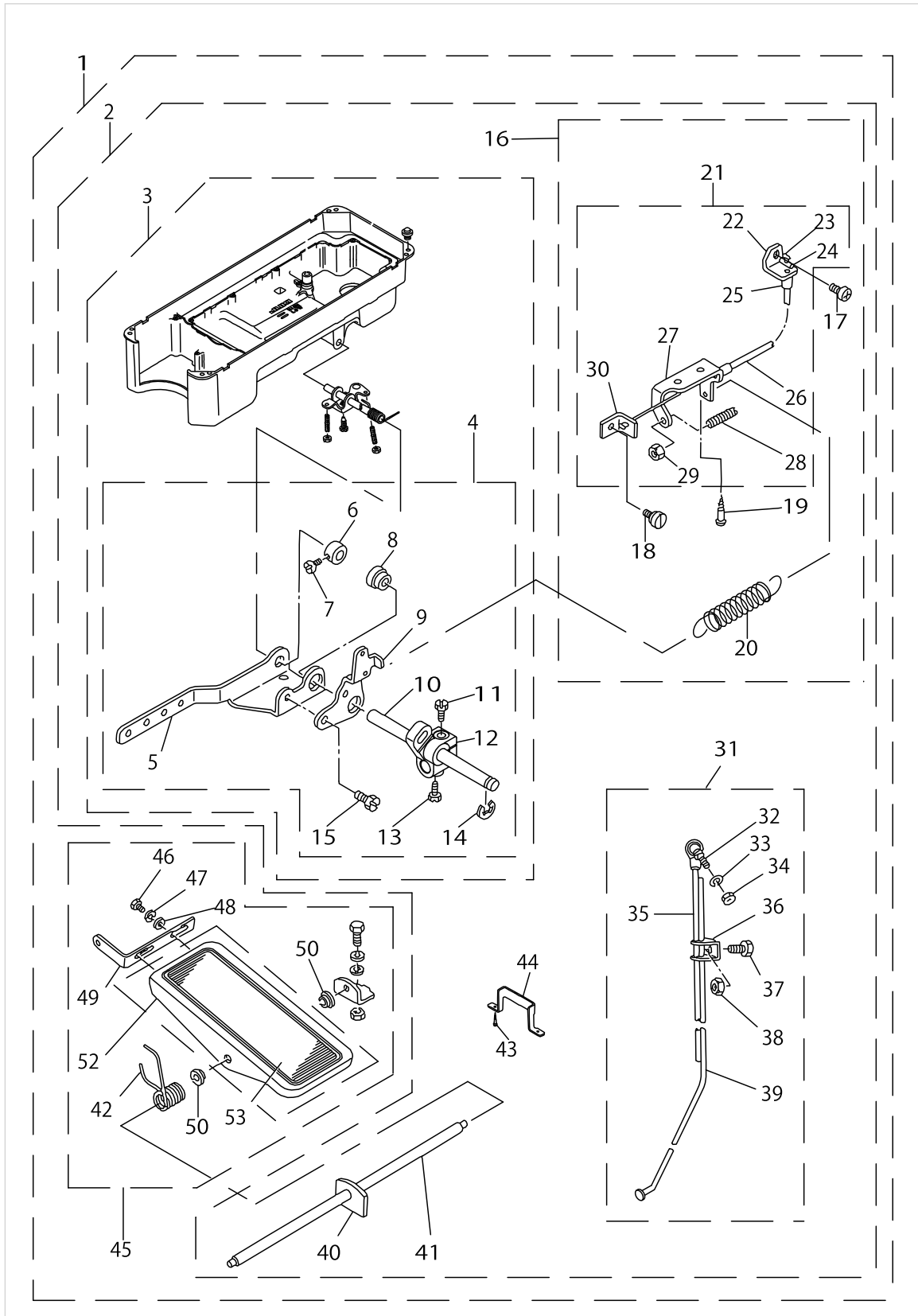
PF-6: PEDAL/KNEE PRESSER-CONTROLLED GATHERING MECHANISM (SPECIAL ORDER PARTS)



PF-6: PEDAL/KNEE PRESSER-CONTROLLED GATHERING MECHANISM (SPECIAL ORDER PARTS)

No.	Parts No.	Parts name	Remarks	Level	Cons	Qty
1	GPF060200B0	PF-6: MECHANISH ASM. B				1
2	GPF060200A0	PF-6: MECHANISH ASM. A		*		1
3	11245156	OIL RESERVOIR		*		1
4	GPF070500A0	GATHERING MECHANISM		*		1
5	11245305	PEDAL CONNECTING ARM		*		1
6	CS1111019SH	THRUST COLLAR D=11.11 W=10		*		1
7	SS8660530TP	SCREW 1/4-40 L= 4.5		*		4
8	GPF01012000	SLEEVE		*		1
9	11245404	DRIVING ARM		*		1
10	11245206	KNEE PRESSER LIFTING SHAFT		*		1
11	SS9151540SR	SCREW 15/64-28 L=15		*		1
12	22983902	FITTING ARM		*		1
13	SS9151160CP	SCREW 15/64-28 L=10.5		*		1
14	RE1000000K0	E-RING 10		*		1
15	SS9661120CP	SCREW 1/4-40 L=10.5		*		1
16	GPF060300BA	WIRE ASM.		*		1
17	SS4120915SP	SCREW 3/16-28 L=9		*		1
18	SD0640241SP	HINGE SCREW D= 6.35 H= 2.4		*		1
19	SK3482500SC	WOOD SCREW D=4.8 L=25		*		2
20	B3417552000	LIFTING LEVER LINK SPRING		*		1
21	11245552	WIRE ASM.		*		1
22	11245701	WIRE TUBE SUPPORT PLATE		*		1
23	GPF01005000	WIRE STOPPER		*		2
24	GPF01004000	WIRE ROLL PIN		*		1
25	GPF01003000	WIRE TUBE GUIDE		*		2
26	GPF01002000	WIRE TUBE		*		1
27	11245602	STOPPER		*		1
28	SS8153010SR	SCREW 15/64-28 L=30		*		1
29	NS6150430SP	NUT 15/64-28		*		1
30	GPF01008000	WIRE SUPPORTER		*		1
31	GPF010150C0	CONNECTING ROD ASM.		*		1
32	D7117555BA0	JOINT BAR A ASM.		*		1
33	WS0641560KR	SPRING WASHER 6.4X11.9X1.5		*		1
34	NM6060001SE	NUT M6		*		1
35	D7115555B0B	CONNECTING ROD (B)		*		1
36	B7114012000	MOTOR CONNECTING ROD		*		1
37	SM9081423SE	SCREW M8 L=14		*		1
38	NM6080721SE	NUT M8		*		1
39	GPF01015000	CONNECTING ROD LOWER		*		1
40	GPF06017000	PEDAL SHAFT BRACKET		*		1
41	GPF01016000	PEDAL SHAFT		*		1
42	11245800	SPRIG		*		1
43	SK3311600SB	WOOD SCREW D=3.1 L=16		*		2
44	GPF01011000	WIRE TUBE GUIDE		*		1
45	GPF060600B0	PEDAL ASM.		*		1
46	SM9061203SE	SCREW M6 L=12		*		2
47	WS0621210KR	SPRING WASHER 6.2X11.4X1.2		*		2

PF-6: PEDAL/KNEE PRESSER-CONTROLLED GATHERING MECHANISM (SPECIAL ORDER PARTS)



PF-6: PEDAL/KNEE PRESSER-CONTROLLED GATHERING MECHANISM (SPECIAL ORDER PARTS)

No.	Parts No.	Parts name	Remarks	Level	Cons	Qty
48	WP0671016SE	WASHER 6.7X13X1		*		2
49	GPF06080000	PEDAL ADJUSTING PLATE		*		1
50	D8113555B00	PEDAL BUSHING		*		2
51	GPF060600A0	PEDAL ASM.		*		1
52	GPF06060000	PEDAL		*		1
53	GPF06070000	PEDAL MAT		*		1

LIST FOR INFORMATION OF CHANGE

As to the place changed, refer to the corresponding Rev.No.
 When previous parts(Obsoleted part)and new parts(Added parts)are
 not interchangeable with each other:
 In this case,even obsoleted parts(D.)can be ordered with the
 obsoleted part number,so select the parts with changed dates and
 place your orders.

変更箇所は、該当Rev.No.版をご参照ください。
 部品の互換性がない変更の場合は、削除された品番でも、ご注文できます。

29135100
 No.0914-10 Rev.No.

*A:Added parts追加部品/D:Obsoleted parts削除部品/E:Erratum訂正

* Rev. No.	Page 頁	Ref. No.	Parts No. 品番	* Rev. No.	Page 頁	Ref. No.	Parts No. 品番
D 09	2	33	110-72204	A 10	2	33	229-21308
D 09	2	34	B3120-125-000	A 10	2	34	229-21407
D 09	2	35	B3129-012-A00	A 10	2	35	229-21704
D 09	2	36	B3132-552-000	A 10	2	36	229-21803
D 09	2	37	B3126-012-000	A 10	2	37	229-21506
D 09	2	38	B3115-552-000	A 10	2	38	229-21209
D 09	2	39	B3128-012-000	A 10	2	39	229-21605
				A 10	2	62	401-16677
D 09	4	4	110-39070	A 10	4	4	229-18072
D 09	4	5	110-39062	A 10	4	5	229-18064
D 09	4	6	B1905-541-B00	A 10	4	6	229-18403
				A 10	4	7	229-18502
				A 10	4	8	229-18601
				A 10	4	9	229-18700
D 09	4	10	110-05204	A 10	4	10	229-18106
D 09	4	11	B1408-552-000	A 10	4	11	229-06606
D 09	4	12	B1903-552-000	A 10	4	12	229-18304
D 09	4	13	112-02157	A 10	4	13	400-95789
D 09	4	21	110-02508	A 10	4	21	401-05231
D 09	6	6	B1414-555-000	A 10	6	6	400-90058
				A 10	8	30	112-05150
D 09	8	38	110-06350	A 10	8	38	229-08156
D 09	8	39	110-06905	A 10	8	39	229-08305
D 09	8	41	RE-0500000-K0				
D 09	10	31	110-08703	A 10	10	31	400-89548
D 09	10	32	110-08604	A 10	10	32	400-93417
D 09	10	59	110-14008	A 10	10	59	229-15003
D 09	18	16	SM-9061853-SR	A 10	18	16	401-01720
				A 10	18	18	NM-6060001-SE

HOW TO MAKE USE OF THIS PARTS LIST

1.Explanation of codes

1)"*"mark.....means this part is changed from the previous parts book.

As to the details of the change, refer to the "List for information of change".

2)"#01".....refer to "Note" explanation at bottom of page.

2.Codes on the "Qty" column

• Each numeral indicates the number of parts required.

• "0.1" and "2.5" indicate the length (in meters) of the respective parts.

3.Parentheses mean that the corresponding part is a subpart that constructs an assembly part.

4.Dotted lines on the Figures indicate assembly parts.

1."注記"欄の記号説明

1) "*"印.....前回のパーツブックに比較して今回変更された部品を意味します。

変更内容は、"変更情報リスト"を参照してください。

2) "#01".....ページ下の"注記"の説明を参照してください。

2.数量欄の数字は、個数を表し、0.1、2.5等の数値は、長さ（単位メートル）を表します。

3.数量欄の（ ）は、組部品を構成している子部品であることを意味します。

4.イラストページの-----枠は、組構成であることを意味します。

NUMERICAL INDEX OF PARTS

PART NO	PAGE	REF NO.	PART NO	PAGE	REF NO.	PART NO	PAGE	REF NO.
10004109	4	61	11205507	12	51	11214806	18	36
11002409	6	20	11206000	14	19	11214905	18	37
11003308	2	13	11206109	14	7	11215019	18	34
11004207	8	26	11206208	14	3	11215118	18	32
11008703	20	71	11206307	16	60	11215209	10	24
11010311	14	20	11206406	16	62	11215258	10	22
11017357	6	2	11206463	14	1	11216009	18	3
11023017	26	2	11206505	14	5	11216157	18	1
11023603	28	9	11206604	14	6	11216306	20	65
11023702	26	22	11206653	22	3	11216405	18	12
11023751	26	19	11207107	14	8	11216504	18	11
11023801	26	23	11210002	20	54	11216603	18	5
11024304	26	26	11210051	20	53	11216702	18	6
11024403	26	21	11210119	18	14	11216801	18	7
11024700	26	3	11210200	18	16	11216918	12	49
11035003	8	3	11210325	20	58	11217015	10	18
11037405	14	22	11210408	20	61	11217114	10	20
11047057	26	1	11210507	20	60	11217213	10	19
11047107	26	4	11210614	20	63	11217353	10	7
11071305	6	29	11210705	20	50	11217601	10	17
11141207	8	43	11210804	20	51	11220001	10	29
11200201	2	6	11210903	20	64	11220100	10	41
11200300	4	49	11211000	18	44	11220209	2	40
11200409	4	48	11211109	22	22	11220308	12	50
11200607	2	3	11211208	22	35	11221504	24	32
11200805	2	46	11211307	22	23	11221603	24	12
11202009	6	31	11211455	22	6	11221652	24	7
11202173	6	15	11211851	22	12	11221702	24	11
11202207	6	25	11212156	22	5	11221801	24	10
11202306	6	27	11212206	22	29	11221900	24	14
11203106	8	25	11212354	22	34	11222007	24	5
11204013	10	16	11212610	22	28	11222601	28	1
11204112	10	11	11212701	22	31	11222700	28	11
11204161	10	8	11212800	22	32	11222908	28	5
11204211	10	9	11212909	22	4	11226016	8	10
11204302	12	48	11213006	22	16	11245156	32	3
11204401	10	15	11213311	20	68	11245206	32	10
11204559	10	1	11214004	18	43	11245305	32	5
11204609	10	2	11214103	18	22	11245404	32	9
11205002	10	4	11214202	18	21	11245552	32	21
11205101	10	31	11214301	18	20	11245602	32	27
11205150	10	30	11214400	18	29	11245701	32	22
11205218	10	38	11214509	18	40	11245800	32	42
11205309	10	46	11214608	18	28	11255650	2	5
11205408	10	47	11214756	18	31	11255809	2	2

NUMERICAL INDEX OF PARTS

PART NO	PAGE	REF NO.	PART NO	PAGE	REF NO.	PART NO	PAGE	REF NO.
11256708	22	9	22913008	14	56	22923908	24	22
11257359	2	32	22913008	16	56	22924005	24	35
11258308	28	4	22913701	14	21	22924500	24	16
11258407	28	8	22915003	16	59	22924609	24	31
11415205	4	57	22915151	16	54	22924708	24	1
22900401	2	12	22915201	14	47	22924906	24	17
22900609	2	26	22915359	16	57	22925002	24	18
22900757	2	8	22916001	8	31	22927305	28	24
22901003	2	18	22916100	8	35	22927354	28	12
22901201	4	54	22916308	8	27	22927404	28	25
22901250	4	53	22916407	8	32	22927602	28	26
22901300	4	55	22916506	8	40	22928105	28	21
22901409	8	1	22916555	8	38	22928303	28	20
22904155	6	23	22916605	8	39	22928402	28	19
22904155	14	46	22918064	6	5	22928501	28	13
22905004	8	23	22918072	6	4	22928709	28	28
22906101	8	2	22918106	6	10	22928808	28	17
22906200	8	8	22918304	6	12	22928907	28	15
22906457	8	4	22918403	6	6~9	22929004	28	16
22906606	6	11	22918502	6	6~9	22930309	30	14
22907307	10	14	22918601	6	6~9	22930358	30	1
22907406	10	6	22918700	6	6~9	22930408	30	10
22907802	10	35	22919203	6	3	22930507	30	9
22908156	10	33	22920409	10	27	22930705	30	7
22908305	10	34	22920508	2	30	22930804	30	5
22908552	10	37	22920607	4	51	22930903	30	4
22908909	10	40	22920706	2	25	22931000	30	3
22910004	6	36	22920805	8	7	22931109	30	2
22910053	6	34	22921001	2	31	22931208	30	15
22910103	6	28	22921209	2	38	22931307	30	11
22910350	16	52	22921308	2	33	22931406	30	8
22910459	14	33	22921407	2	34	22932107	26	8
22910806	14	34	22921506	2	37	22932156	26	7
22910905	14	30	22921605	2	39	22932206	26	11
22910905	20	57	22921704	2	35	22932305	26	17
22911002	16	50	22921803	2	36	22932404	26	14
22911002	20	72	22923015	24	23	22932453	26	13
22911101	14	17	22923056	24	19	22932503	2	21
22911101	18	18	22923205	24	29	22932552	2	20
22911705	16	63	22923312	24	20	22932602	2	22
22911804	14	10	22923403	24	27	22932701	2	23
22911903	14	13	22923502	24	25	22932909	8	41
22912000	14	12	22923601	24	26	22934707	26	15
22912109	14	11	22923700	24	24	22940654	14	39
22912901	16	49	22923809	24	28	22940803	14	37

NUMERICAL INDEX OF PARTS

PART NO	PAGE	REF NO.	PART NO	PAGE	REF NO.	PART NO	PAGE	REF NO.
22971857	14	24	BT0600402EA	24	3	NS6120310SP	18	23
22983902	32	12	CM300200001	4	58	NS6150430SP	32	29
40071856	14	25	CM301300001	4	59	NS6620310SP	18	62
40078218	18	15	CQ252000000	24	15	NS6620310SP	20	62
40080424	14	16	CS064061ASP	10	42	NS6680410SP	14	43
40089548	14	31	CS070061ASD	22	1	PS0150065KP	22	11
40090058	8	6	CS079073ASH	8	36	RC0150001KP	14	38
40093417	14	32	CS079101ASH	8	29	RC0260415KP	10	21
40095789	6	13	CS1111019SH	32	6	RC0330415KP	18	35
40101720	26	16	CS120101BSH	18	45	RC1850001KP	6	22
40105231	6	21	D7115555B0B	32	35	RE0320000K0	22	33
40116677	4	62	D7117555BA0	32	32	RE0400000K0	10	28
B1109450B0B	2	44	D8113555B00	34	50	RE0500000K0	10	32
B1211980000	22	18	GPF01002000	32	26	RE0500000K0	14	28
B1213552000A	6	33	GPF01003000	32	25	RE0700000K0	18	10
B1215552000	6	26	GPF01004000	32	24	RE1000000K0	26	12
B1226552000	6	32	GPF01005000	32	23	RE1000000K0	32	14
B1242980000	22	27	GPF01008000	32	30	RO029180100	6	24
B13050120A0	8	14	GPF01011000	32	44	RO037180100	10	36
B13061550A0	8	16	GPF01012000	32	8	RO044240100	6	18
B13061550B0	8	13	GPF01015000	32	39	RO069180100	22	24
B13061550C0	8	12	GPF010150C0	32	31	RO092270200	14	14
B13071550A0	8	19	GPF01016000	32	41	RO098240100	26	6
B13071550B0	8	18	GPF06017000	32	40	RO133170100	2	42
B13081550A0	8	21	GPF060200A0	32	2	RO195240100	24	2
B1521555000	10	39	GPF060200B0	32	1	SD0380552SL	2	24
B1524491BB0	12	53	GPF060300BA	32	16	SD0490261SP	28	22
B1609804B00	18	2	GPF06060000	34	52	SD0600322SD	10	45
B1613450A00	14	26	GPF060600A0	34	51	SD0640241SP	32	18
B1641490000	22	26	GPF060600B0	32	45	SD0640451TP	18	8
B1644490000	22	25	GPF06070000	34	53	SD0720331SP	10	44
B18301270A0	8	24	GPF06080000	34	49	SD1000701TP	22	10
B18370120A0	8	42	GPF070500A0	32	4	SD1000801SH	16	48
B2920490000	22	14	MC200500750	8	28	SE4301041SR	24	30
B3016450000A	20	67	MDB100B1100	8	44	SK3311600SB	32	43
B3026490B00	18	38	MDB100B1400	8	11	SK3412000SC	28	31
B3037470000	22	13	MDP500B1400	8	34	SK3482500SC	32	19
B3118552C00	2	43	NM6040001SD	18	4	SL4030851SF	24	21
B3404122000	24	8	NM6050001SE	30	17	SM4051405SE	30	12
B3417552000	32	20	NM6060001SE	26	18	SM6061610SC	30	6
B3419122000	26	20	NM6060001SE	32	34	SM8063012TR	26	10
B3431552000A	26	25	NM6080721SE	32	38	SM9061203SE	26	24
B3536122000	24	9	NM6160511SE	30	18	SM9061203SE	32	46
B412352200B	20	52	NS6110310SP	18	41	SM9081423SE	32	37
B7114012000	32	36	NS6110310SP	22	37	SQ1150501SD	24	6

NUMERICAL INDEX OF PARTS

PART NO	PAGE	REF NO.	PART NO	PAGE	REF NO.	PART NO	PAGE	REF NO.
SS1120710SP	2	47	SS7081310SP	28	23	TA0850604R0	18	27
SS2110915SP	2	45	SS7090620TP	10	43	TA1250406R0	4	50
SS4080620TP	10	10	SS7090910SP	20	59	TA1250705R0	2	10
SS4080620TP	14	27	SS7090910TP	18	17	TA1470702R0	2	15
SS4090615SP	6	19	SS7110350SP	28	18	TA1470704R0	2	14
SS4110515SP	28	14	SS7110510SP	14	23	TA1750502R0	22	20
SS4110915TP	8	33	SS7110570SP	18	19	TA2000502R0	2	17
SS4120615SP	2	60	SS7110710SP	28	7	TA2101002R0	2	19
SS4120615SP	4	60	SS7110740TP	14	42	WP0450826SC	28	30
SS4120615SP	22	30	SS7110910TP	10	12	WP0480856SP	14	41
SS4120615SP	24	13	SS7110910TP	20	69	WP0480856SP	28	6
SS4120915SP	2	11	SS7111120SP	16	58	WP0600816SP	22	8
SS4120915SP	8	45	SS7111410TP	20	70	WP0650816SP	10	3
SS4120915SP	28	2	SS7120770SH	14	9	WP0661016SP	10	5
SS4120915SP	32	17	SS7121410TP	14	40	WP0671016SE	34	48
SS4121015SP	2	4	SS7121610SP	16	55	WP1612616SE	30	19
SS4150915SP	24	33	SS7620750SP	22	21	WS0451040KP	24	36
SS4150915SP	28	3	SS7681650TP	6	14	WS0510002KN	30	16
SS6060210SP	4	56	SS7701010SP	28	29	WS0621210KR	32	47
SS6080340SP	24	4	SS7701510SP	28	10	WS0641560KR	32	33
SS6080410SP	2	7	SS8090410SP	2	41	WS0651310KP	24	37
SS6090510SP	22	2	SS8110410TP	8	37	WS1643202KR	30	20
SS6090620TP	14	51	SS8110422TP	12	52			
SS6090620TP	16	51	SS8110510SP	28	27			
SS6090630SP	18	13	SS8120410SP	18	26			
SS6090670TP	8	5	SS8120740SP	18	56			
SS6090670TP	16	61	SS8120740SP	20	56			
SS6090910SP	10	13	SS8150410SP	18	30			
SS6110420TP	8	30	SS8150710TP	2	29			
SS6110610TP	4	52	SS8150710TP	14	35			
SS6110610TP	18	39	SS8151150TP	6	1			
SS6110820TP	22	7	SS8151550SP	6	30			
SS6111010TP	24	34	SS8153010SR	32	28			
SS6111030TP	22	15	SS8660410SP	18	46			
SS6121220TP	10	25	SS8660530TP	20	55			
SS6121220TP	14	4	SS8660530TP	32	7			
SS6121220TP	18	66	SS8660610TP	6	17			
SS6121220TP	20	66	SS8660610TP	10	26			
SS6121250TP	18	25	SS8660810TP	8	22			
SS6121250TP	22	19	SS8681650TP	6	16			
SS6121610SP	16	53	SS9111113TP	22	36			
SS6121860SP	14	15	SS9151160CP	32	13			
SS6661110SP	6	35	SS9151540SR	32	11			
SS6700710SH	26	5	SS9661120CP	32	15			
SS7080510TP	8	9	TA0850604R0	2	9			