

MODEL : DLU-5494N-7

List No : 0912-07

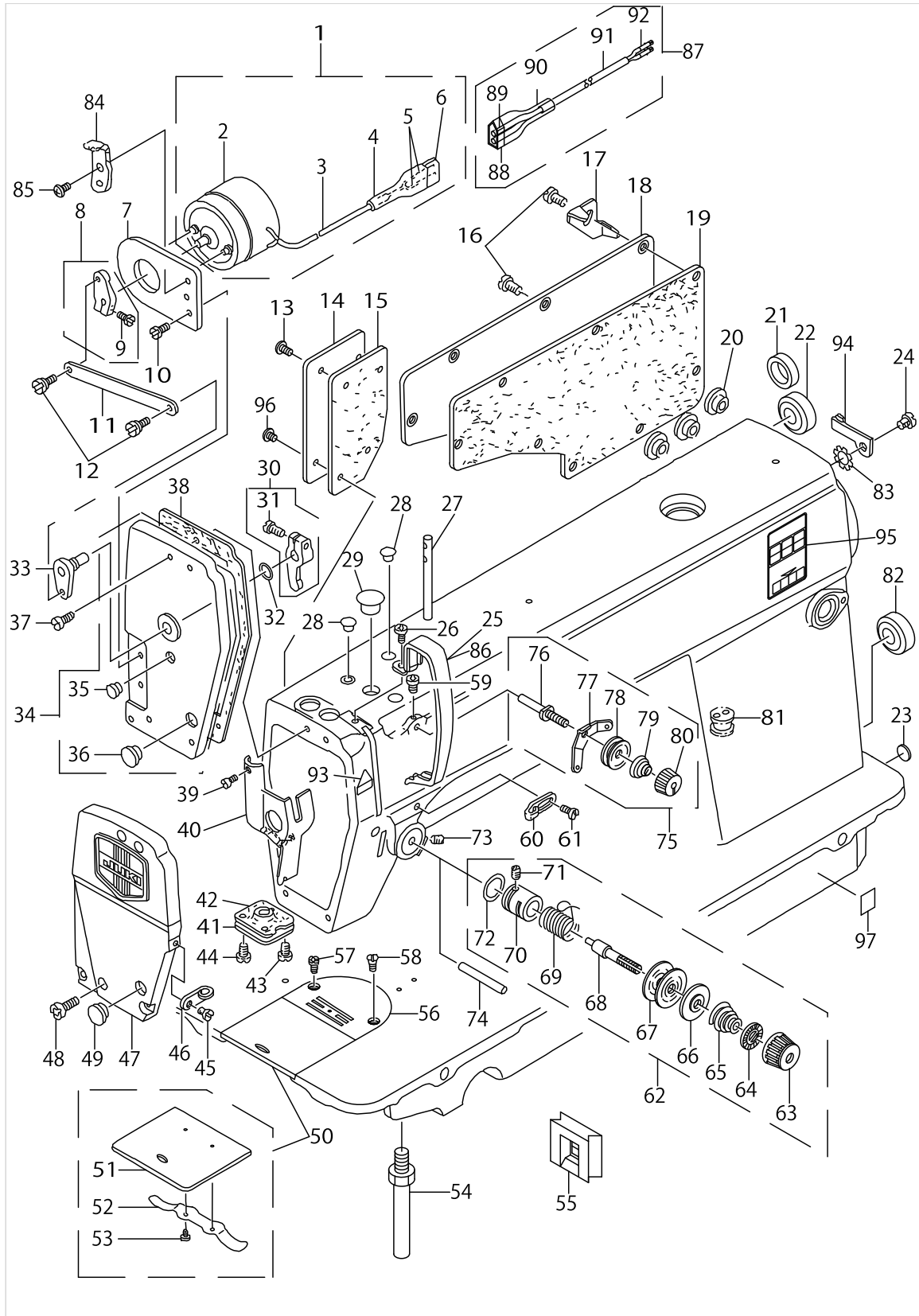
PARTS LIST

Published:09/10/2017

CONTENTS

MACHINE FRAME & MISCELLANEOUS COVER COMPONENTS	1
MAIN SHAFT & THREAD TAKE-UP LEVER COMPONENTS	7
NEEDLE BAR, UPRIGHT SHAFT & HOOK DRIVING SHAFT COMPONENTS	9
HAND LIFTER COMPONENTS	13
FEED MECHANISM COMPONENTS.....	17
TOP FEED MECHANISM COMPONENTS.....	21
TOP FEED MECHANISM & MOTOR COMPONENTS	25
THREAD TRIMMER COMPONENTS	29
AUTOMATIC REVERSE FEED COMPONENTS.....	33
WIPER COMPONENTS.....	35
OIL LUBRICATION COMPONENTS	37
OIL RESERVOIR COMPONENTS	39
BELT COVER & BOBBIN WINDER COMPONENTS	41
THREAD STAND COMPONENTS.....	43
LIST FOR INFORMATION OF CHANGE (1).....	45
LIST FOR INFORMATION OF CHANGE (2).....	46
HOW TO MAKE USE OF THIS PARTS LIST	47

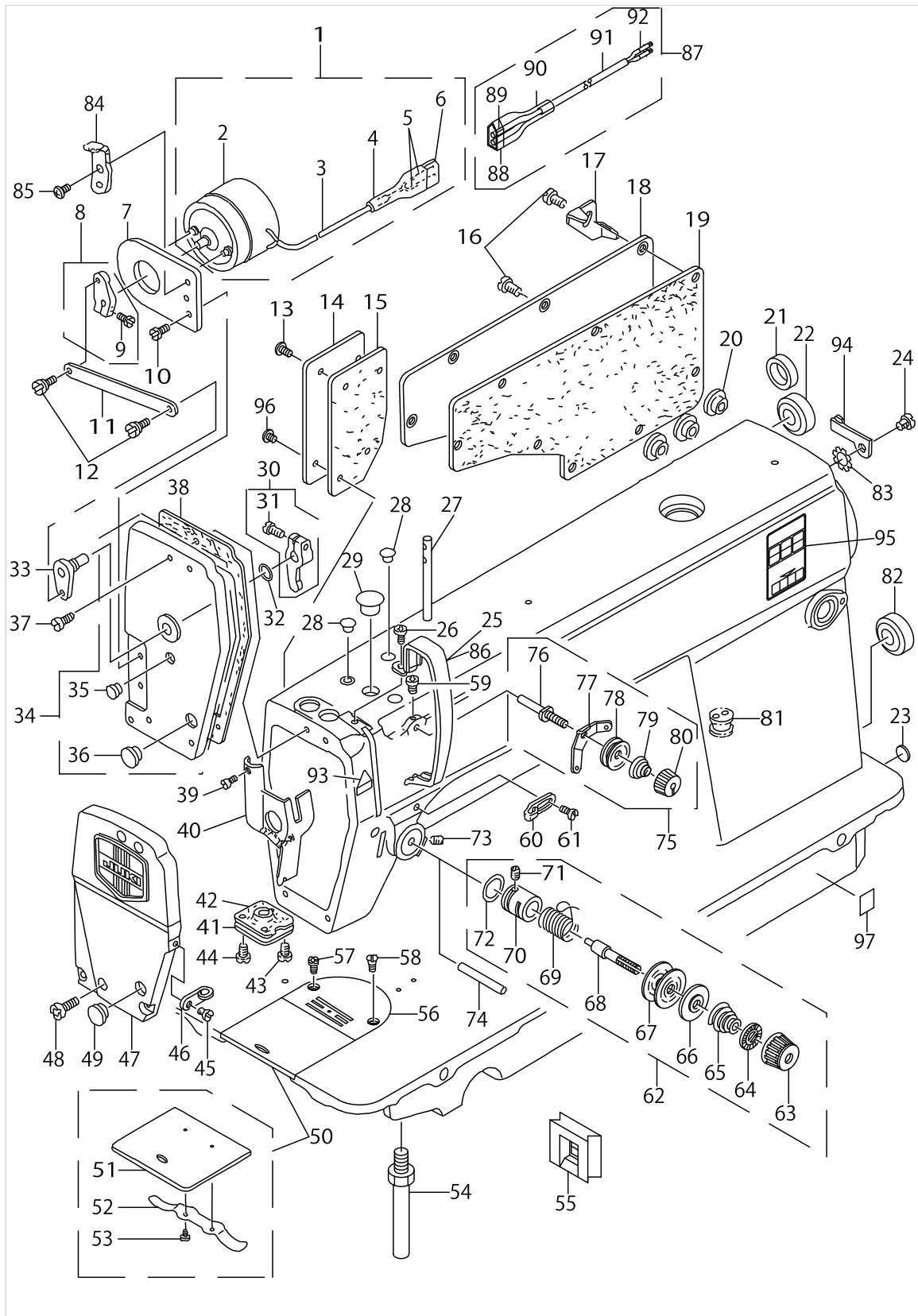
MACHINE FRAME & MISCELLANEOUS COVER COMPONENTS



MACHINE FRAME & MISCELLANEOUS COVER COMPONENTS

No.	Parts No.	Parts name	Remarks	Level	Cons	Qty
1	11281656	SOLENOID ASM.				1
2	11275906	SOLENOID		*		1
3	E8760452H00	TUBE		*		0.14
4	MAT81126T00	2-POLE PLUG COVER		*		1
5	HK03464000B	PIN CONTACT		*		2
6	HK034610020	2-POLE NYLON PLUG		*		1
7	11275807	SOLENOID BASE				1
8	11275757	SOLENOID ARM ASM.				1
9	SS6111040SP	SCREW 11/64-40 L=9.5		*		1
10	SS4120615SP	SCREW 3/16-28 L=6				1
11	11275609	SOLENOID LINK				1
12	SD0550212TP	HINGE SCREW D=5.5 H=2.1				2
13	SS4120915SP	SCREW 3/16-28 L=9				3
14	11255809	SIDE COVER				1
15	11200607	GASKET				1
16	SS4120915SP	SCREW 3/16-28 L=9				8
17	22954705	CORD FIXING METAL FITTING				1
18	22900401	WINDOW PLATE				1
19	11000619	GASKET				1
20	TA1470704R0	RUBBER PLUG				3
21	TA1470702R0	RUBBER PLUG				1
22	TA2101002R0	RUBBER PLUG				1
23	22901805	GROUND MARK				1
24	SS4120915SP	SCREW 3/16-28 L=9				1
25	22900609	THREAD TAKE-UP LEVER COVER				1
26	SS4120615SP	SCREW 3/16-28 L=6				1
27	B1114012000	THREAD GUIDE PIN				1
28	TA0850604R0	RUBBER PLUG				2
29	TA1250705R0	RUBBER PLUG				1
30	11275351	WALKING FOOT ADJUSTING ARM				1
31	SS6121010SP	SCREW 3/16-28 L=10		*		1
32	RO069180100	RUBBER RING				1
33	11275450	WALKING FOOT ARM SHAFT ASM.				1
34	11280369	FACE PLATE BASE ASM.				1
35	TA0750404R0	PLUG D=7.5 L=3.5		*		1
36	TA1250406R0	RUBBER PLUG D=12.5 L=4		*		1
37	SS4121415SP	SCREW 3/16-28 L=14				3
38	11200201	GASKET				1
39	SS6080410SP	SCREW 1/8-44 L=4				1
40	22900757	FACE PLATE OIL SHIELD ASM.				1
41	11200300	PRESSER BAR SUPPORT				1
42	11200409	GASKET				1
43	11200805	PRESSER BAR SUPPORT SCREW B				1
44	SS1120710SP	SCREW 3/16-28 L=6.5				2
45	SS6110610TP	SCREW 11/64-40 L=6				1
46	11331402	ARM THREAD GUIDE B				1
47	11280252	FACE PLATE ASM.				1

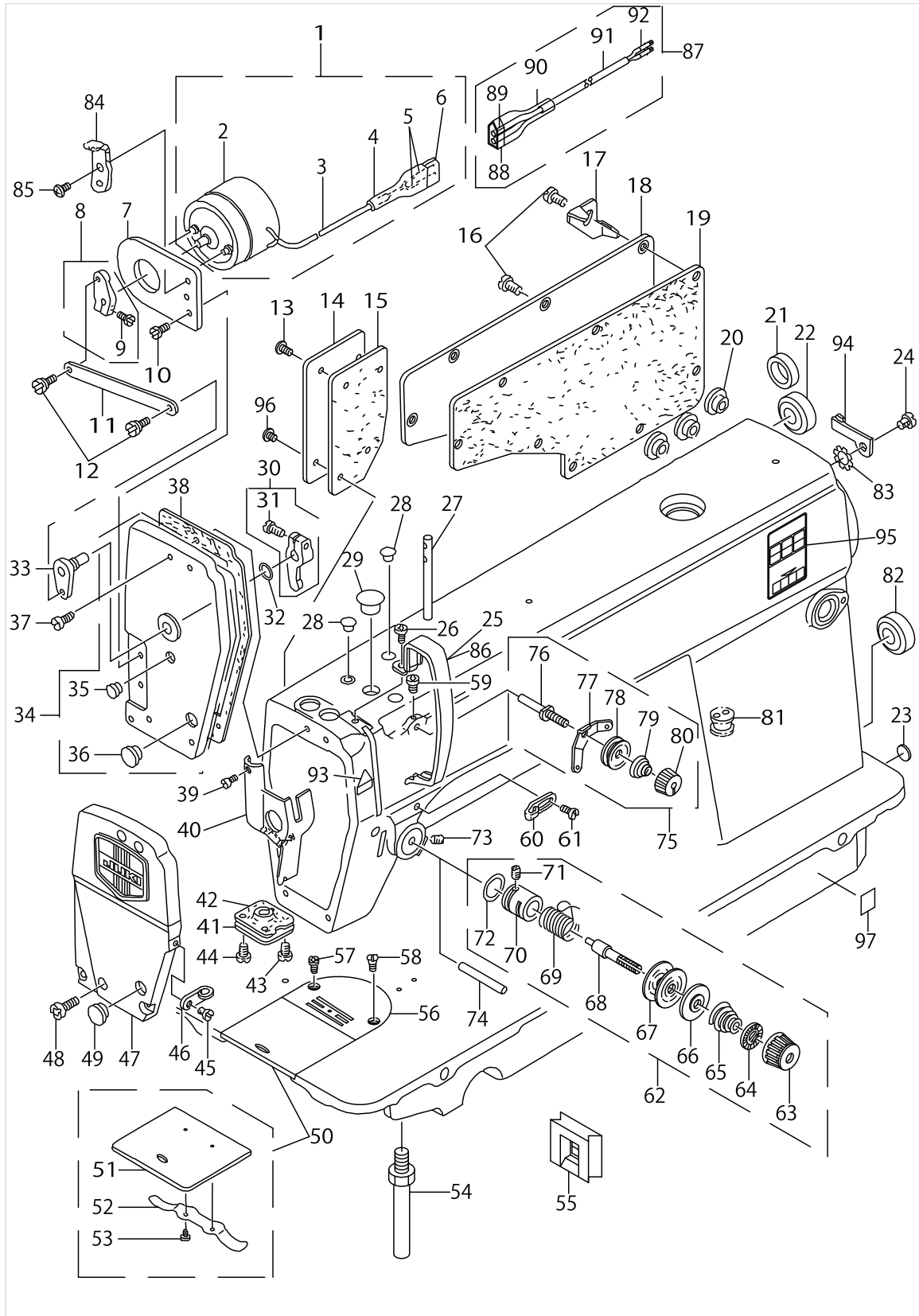
MACHINE FRAME & MISCELLANEOUS COVER COMPONENTS



MACHINE FRAME & MISCELLANEOUS COVER COMPONENTS

No.	Parts No.	Parts name	Remarks	Level	Cons	Qty
48	SS4120915SP	SCREW 3/16-28 L=9				2
49	TA1250406R0	RUBBER PLUG D=12.5 L=4				1
50	22901250	SLIDE PLATE ASM.				1
51	B1110012000	SLIDE PLATE		*		1
52	11001609	BED SLIDE SPRING		*		1
53	SS6060210SP	SCREW 3/32-56 L=1.9		*		2
54	22901003	BED SCREW STUD				4
55	22935407	BED OIL SHIELD RUBBER				1
56	B1109450B0B	THROAT PLATE B				1
57	B1191490000	SCREW	EXCHANGE PARTS			1
58	SS2110915SP	SCREW 11/64-40 L=8.5				2
59	SS4120615SP	SCREW 3/16-28 L=6				1
60	22920508	ARM THREAD GUIDE A				1
61	22921001	SCREW				1
62	11257359	THREAD TENSION ASM.				1
63	22921308	THREAD TENSION NUT		*		1
64	22921407	ROTATION STOPPER		*		1
65	22921704	THREAD TENSION SPRING A		*		1
66	22921803	DISK STOPPER		*		1
67	22921506	THREAD TENSION DISK		*		2
68	22921209	THREAD TENSION POST		*		1
69	22921605	THREAD TAKE-UP SPRING		*		1
70	11220209	TENSION POST SOCKET		*		1
71	SS8090410SP	SCREW 9/64-40 L=3.5		*		1
72	RO133170100	RUBBER RING		*		1
73	SS8150710SP	SCREW 15/64-28 L=7				1
74	B3118552C00	TENSION RELEASE PIN C				1
75	22945463	THREAD TENSION ASM. NO.1				1
76	22945414	THREAD TENSION POST		*		1
77	22945604	THREAD TENSION GUIDE		*		1
78	22945802	THREAD TENSION DISK		*		2
79	22945505	THREAD TENSION SPRING		*		1
80	22945703	THREAD TENSION NUT		*		1
81	40093432	MAGNET CORD RUBBER				1
82	TA2101002R0	RUBBER PLUG				1
83	WT0530002KS	TOOTHED WASHER D=5.3				1
84	11276102	SOLENOID LINK STOPPER				1
85	SS4120915SP	SCREW 3/16-28 L=9				2
86	11415205	THREAD TAKE-UP LEVER COVER(JE)	FOR JE			1
87	11281755	SOLENOID CABLE ASM.				1
88	HK034620020	2P PLUG		*		1
89	HK034630000	TERMINAL		*		2
90	MAT81126T00	2-POLE PLUG COVER		*		1
91	HW500070000	2-CORE CABTYRE CORD		*		1.23
92	HK03464000B	PIN CONTACT		*		2
93	CM300200001	ATTENTION SEAL				1
94	11030301	CABLE HOLDER				1

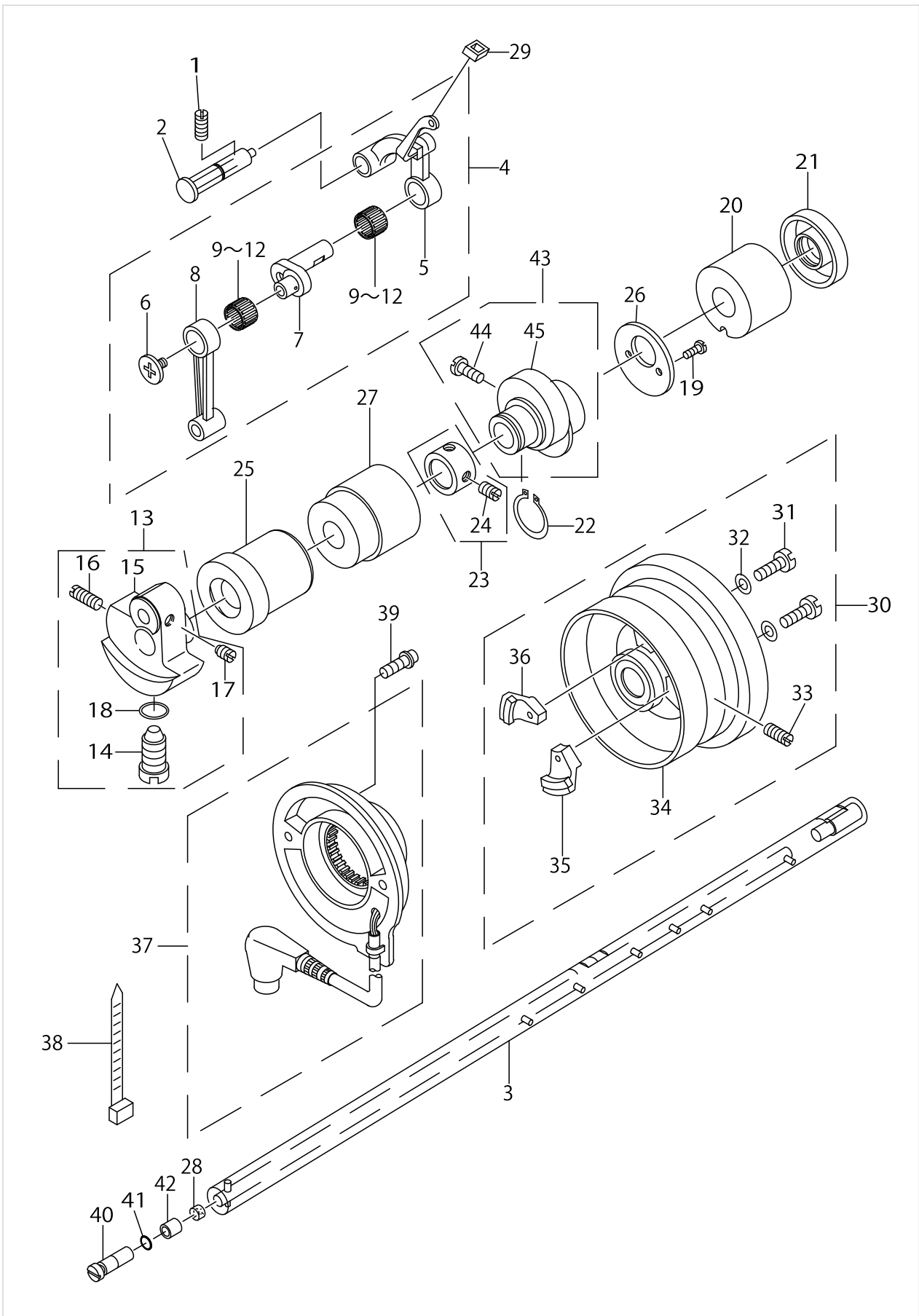
MACHINE FRAME & MISCELLANEOUS COVER COMPONENTS



MACHINE FRAME & MISCELLANEOUS COVER COMPONENTS

No.	Parts No.	Parts name	Remarks	Level	Cons	Qty
95	CM301300001	SAFETY LABEL				1
96	SS4120615SP	SCREW 3/16-28 L=6				1
97	40116677	GOST_SAFTY_LABEL_S	FOR JE			1

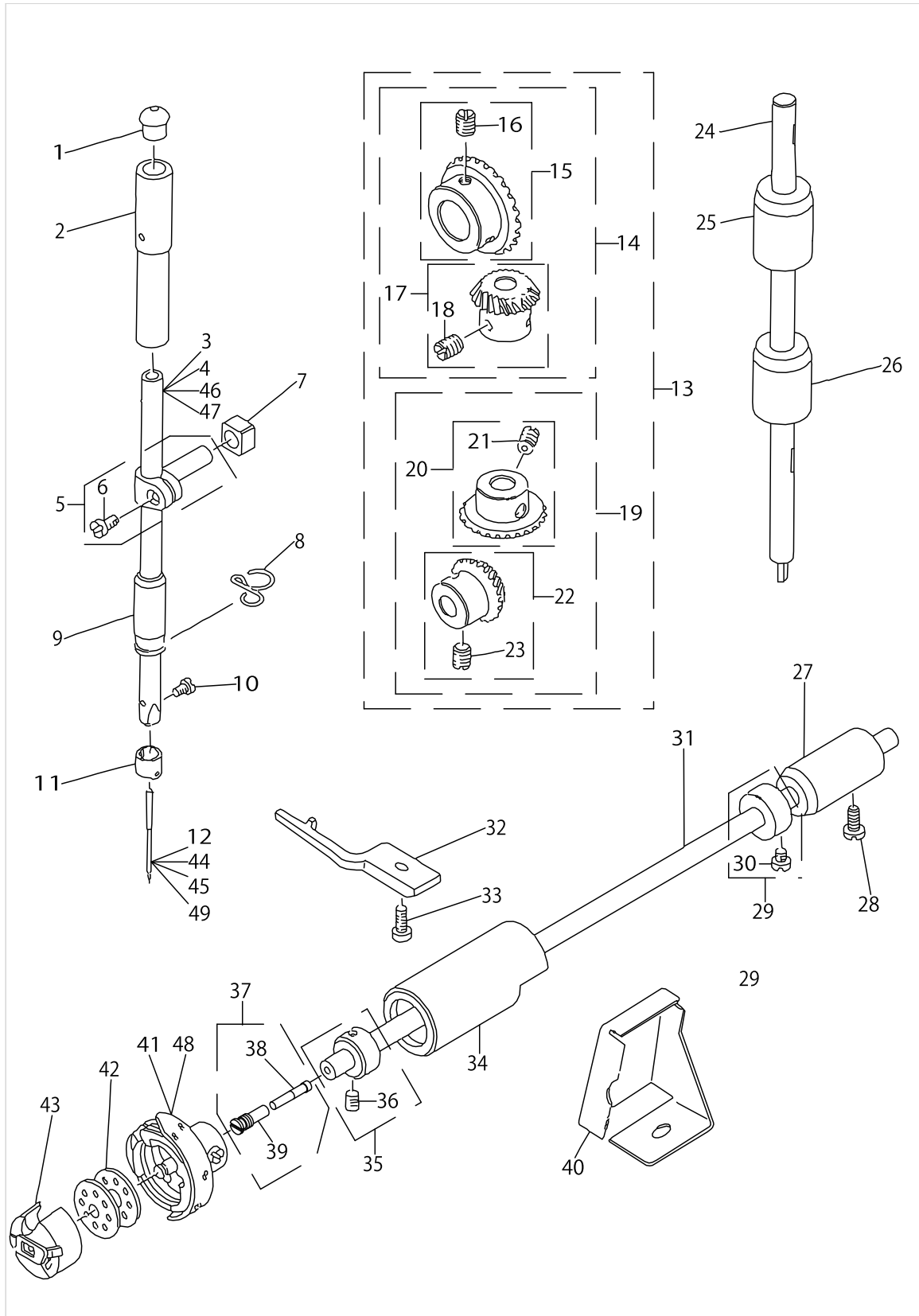
MAIN SHAFT & THREAD TAKE-UP LEVER COMPONENTS



MAIN SHAFT & THREAD TAKE-UP LEVER COMPONENTS

No.	Parts No.	Parts name	Remarks	Level	Cons	Qty
1	SS8151150SP	SCREW 15/64-28 L=10.5				1
2	11017357	THREAD TAKE-UP CRANK SHAFT ASM.				1
3	11202009	MAIN SHAFT				1
4	22918072	THREAD TAKE-UP LEVER COMPL.				1
5	22918064	THREAD TAKE-UP LEVER ASM.		*		1
6	22918304	LEFT SCREW		*		1
7	22918106	NEEDLE BAR CRANK		*		1
8	22906606	NEEDLE BAR CRANK ROD		*		1
9	22918403	NEEDLE BEARING A	SELECTIVE PART	*		2
10	22918502	NEEDLE BEARING B	SELECTIVE PART	*		2
11	22918601	NEEDLE BEARING C	SELECTIVE PART	*		2
12	22918700	NEEDLE BEARING D	SELECTIVE PART	*		2
13	40095789	COUNTER WEIGHT_LU ASM.				1
14	SS7681650TP	SCREW 9/32-28 L=16		*		1
15	11202116	COUNTERWEIGHT		*		1
16	SS8681650TP	SCREW 9/32-28 L=16		*		1
17	SS8660610TP	SCREW 1/4-40 L=6		*		2
18	RO044240100	RUBBER RING		*		1
19	SS6090650SP	SCREW 9/64-40 L=6				2
20	11002409	MAIN SHAFT BUSHING REAR				1
21	40105231	OIL SEAL				1
22	RC1850001KP	SNAP RING 18.5				1
23	22904155	MAIN SHAFT THRUST COLLAR ASM.				1
24	SS8660610TP	SCREW 1/4-40 L=6		*		2
25	11202207	MAIN SHAFT BUSHING FRONT				1
26	11008109	THRUST COLLAR				1
27	11202306	BUSHING INTERMEDIATE				1
28	B1226552000	ROLLER FELT				1
29	22919203	OIL PROTECTING RUBBER				1
30	11256252	HAND WHEEL ASM.				1
31	SS6111210SP	SCREW 11/64-40 L=12		*		1
32	WP0450801SD	WASHER 4.5X10X0.8		*		2
33	SS81511550SP	SCREW 15/64-28 L=15		*		2
34	11071453	HAND WHEEL ASM.		*		1
35	M40071100AA	MAGNET FITTING BASE A ASM.		*		1
36	11225356	MAGNET BASE ASM.		*		1
37	22937965	DYNAMO STATOR				1
38	HX000430000	CLIP				1
39	SL4051001MZ	SCREW M5 L=9.6				2
40	B1213552000A	OIL ADJUSTING PIN				1
41	RO029180100	RUBBER RING				1
42	B1215552000	OIL ADJUSTING COLLAR				1
43	11008059	FEED DRIVE ECCENTRIC CAM ASM.				1
44	SS6661110SP	SCREW 1/4-40 L=11		*		2
45	11008000	FEED DRIVE ECCENTRIC CAM		*		1

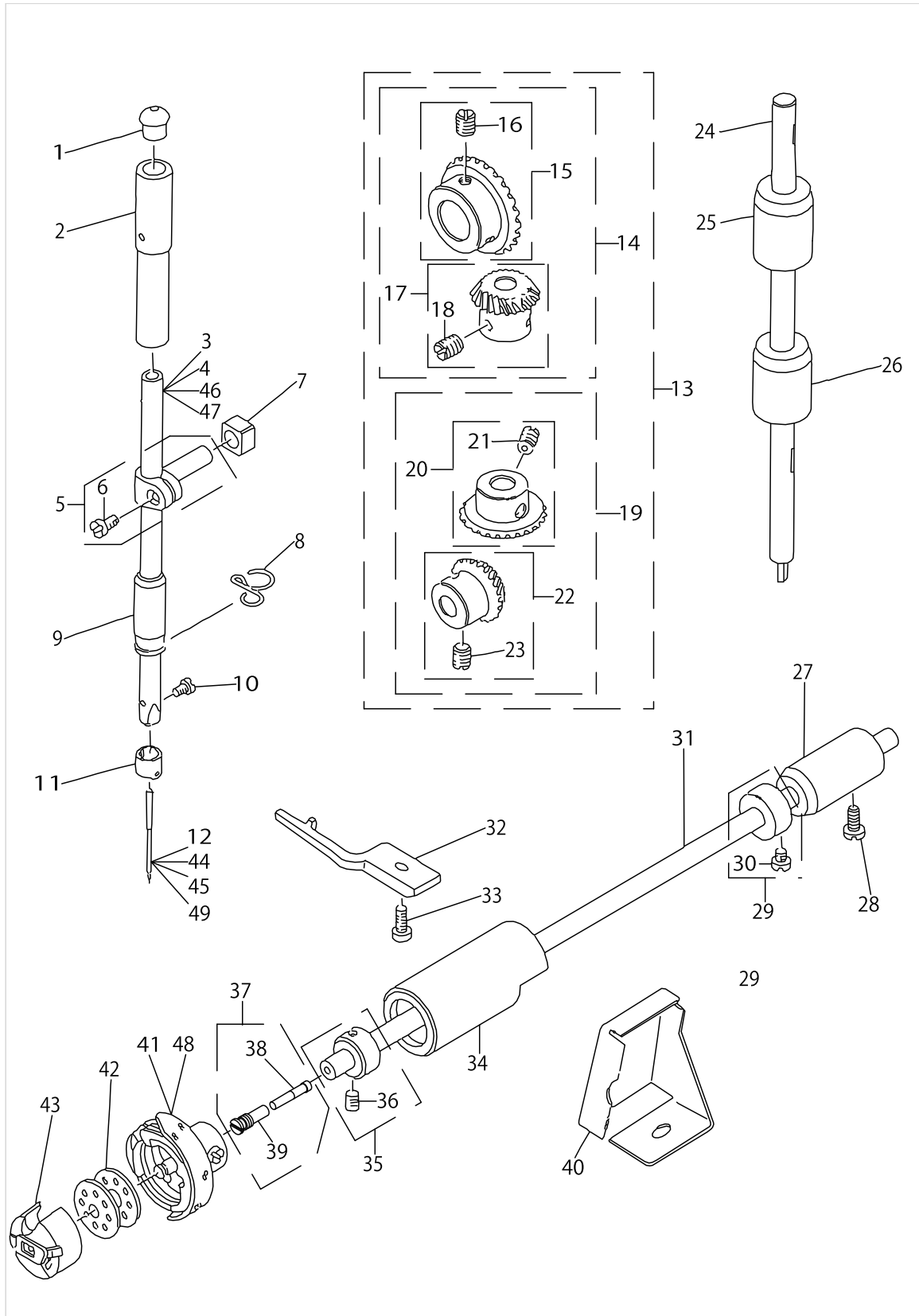
NEEDLE BAR, UPRIGHT SHAFT & HOOK DRIVING SHAFT COMPONENTS



NEEDLE BAR, UPRIGHT SHAFT & HOOK DRIVING SHAFT COMPONENTS

No.	Parts No.	Parts name	Remarks	Level	Cons	Qty
1	22901409	NEEDLE BAR UPPER BUSH CAP				1
2	22906101	NEEDLE BAR BUSHING UPPER				1
3	11035003	NEEDLE BAR	FOR DLU-5494N-7-0B			1
4	11226107	NEEDLE BAR	FOR DLU-5494N-7-WB			1
5	22906457	NEEDLE BAR HOLDER ASM.				1
6	SS6090670TP	SCREW 9/64-40 L=6		*		1
7	40090058	SLIDE BLOCK				1
8	22920805	NEEDLE BAR THREAD GUIDE				1
9	22906200	NEEDLE BAR BUSHING LOWER				1
10	SS7080510TP	SCREW 1/8-44 L=4.5				1
11	11226016	NEEDLE BAR THREAD GUIDE				1
12	MDB100B1100	NEEDLE DBX1 #11	FOR JH & USE IN JAPAN			1
13	B13061550C0	GEAR & PINION ASM.				1
14	B13061550B0	GEAR & PINION ASM. UPPER		*		1
15	B13050120A0	GEAR ASM.		*		1
16	SS8660810TP	SCREW 1/4-40 L=8		*		2
17	B13061550A0	PINION ASM.		*		1
18	SS8660810TP	SCREW 1/4-40 L=8		*		2
19	B13071550B0	GEAR & PINION ASM. LOWER		*		1
20	B13071550A0	GEAR ASM. LARGE		*		1
21	SS8660810TP	SCREW 1/4-40 L=8		*		2
22	B13081550A0	PINION ASM.		*		1
23	SS8660810TP	SCREW 1/4-40 L=8		*		2
24	22905004	UPRIGHT SHAFT				1
25	11004306	BUSHING B UPPER				1
26	11004207	UPRIGHT SHAFT BUSHING LOWER				1
27	22916308	HOOK DRIVING SHAFT BUSH REAR				1
28	SS4120915SP	SCREW 3/16-28 L=9				1
29	22917157	THRUST COLLAR ASM. REAR				1
30	SS6110420TP	SCREW 11/64-40 L=4.8		*		2
31	22916001	HOOK DRIVING SHAFT				1
32	11038809	BOBBIN CASE HOLDER				1
33	SS4110915TP	SCREW 11/64-40 L=9				1
34	22916308	HOOK DRIVING SHAFT BUSH REAR				1
35	22917058	THRUST COLLAR ASM. FRONT				1
36	SS8110410TP	SCREW 11/64-40 L=3.5		*		2
37	22916555	OIL SEAL SCREW ASM.				1
38	11015906	OIL WICK		*		1
39	B1808552000	OIL SEAL SCREW		*		1
40	22942601	OIL SHIELD				1
41	11038650	HOOK ASM.	FOR JH & USE IN JAPAN			1
42	22932909	BOBBIN				1
43	11038759	BOBBIN CASE ASM.				1
44	MC200500750	NEEDLE 134 75	FOR JE			1
45	MDP500B1400	NEEDLE DPX5 #14	FOR JO			1
46	11240108	NEEDLE BAR	FOR DLU-5494N-7-WB (JE,JO)			1
47	11141207	NEEDLE BAR	FOR DLU-5494N-7-0B (JE,JO)			1

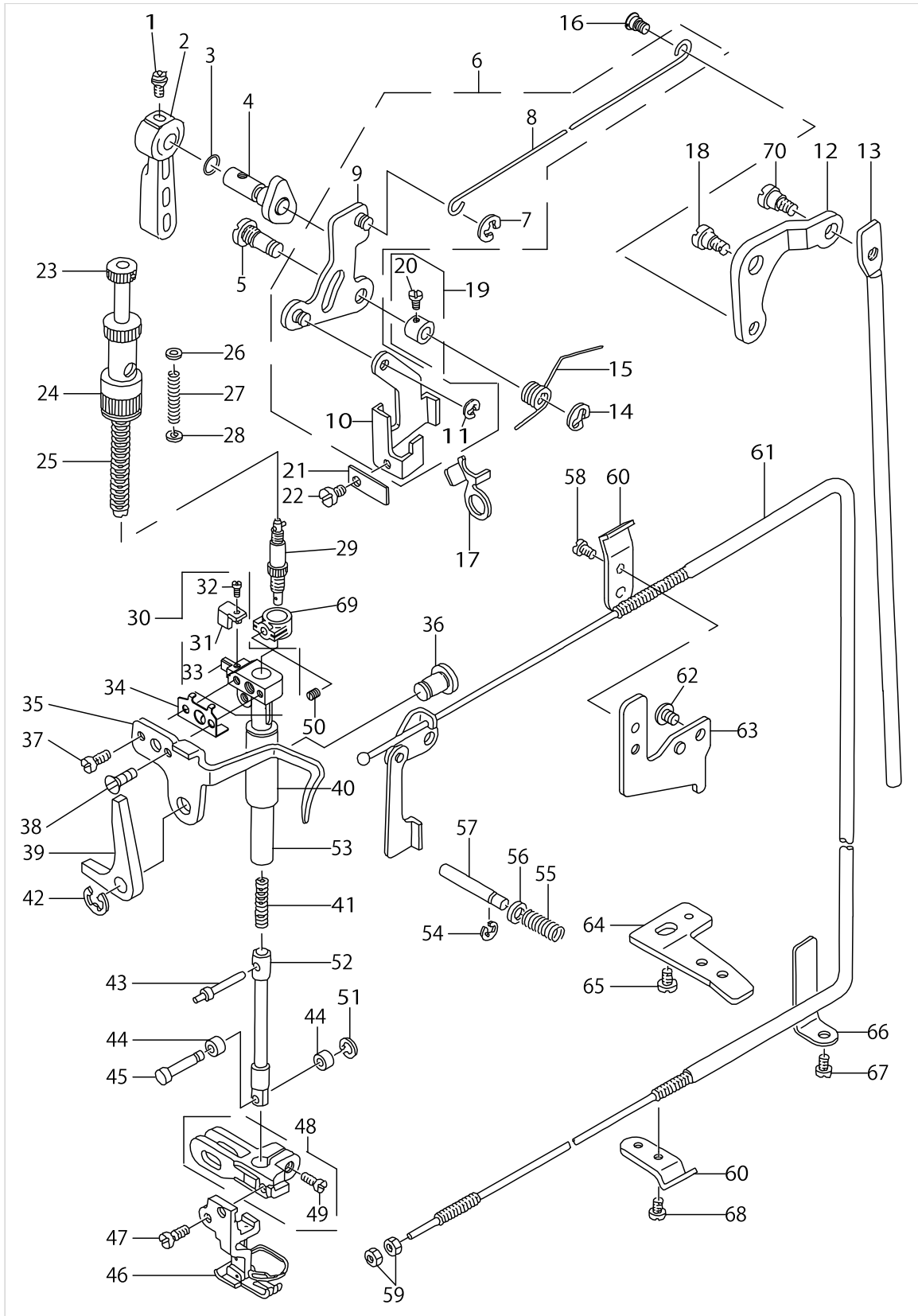
NEEDLE BAR, UPRIGHT SHAFT & HOOK DRIVING SHAFT COMPONENTS



NEEDLE BAR, UPRIGHT SHAFT & HOOK DRIVING SHAFT COMPONENTS

No.	Parts No.	Parts name	Remarks	Level	Cons	Qty
48	11141355	HOOK ASM.				1
49	MDB100B1400	NEEDLE DBX1 #14				1

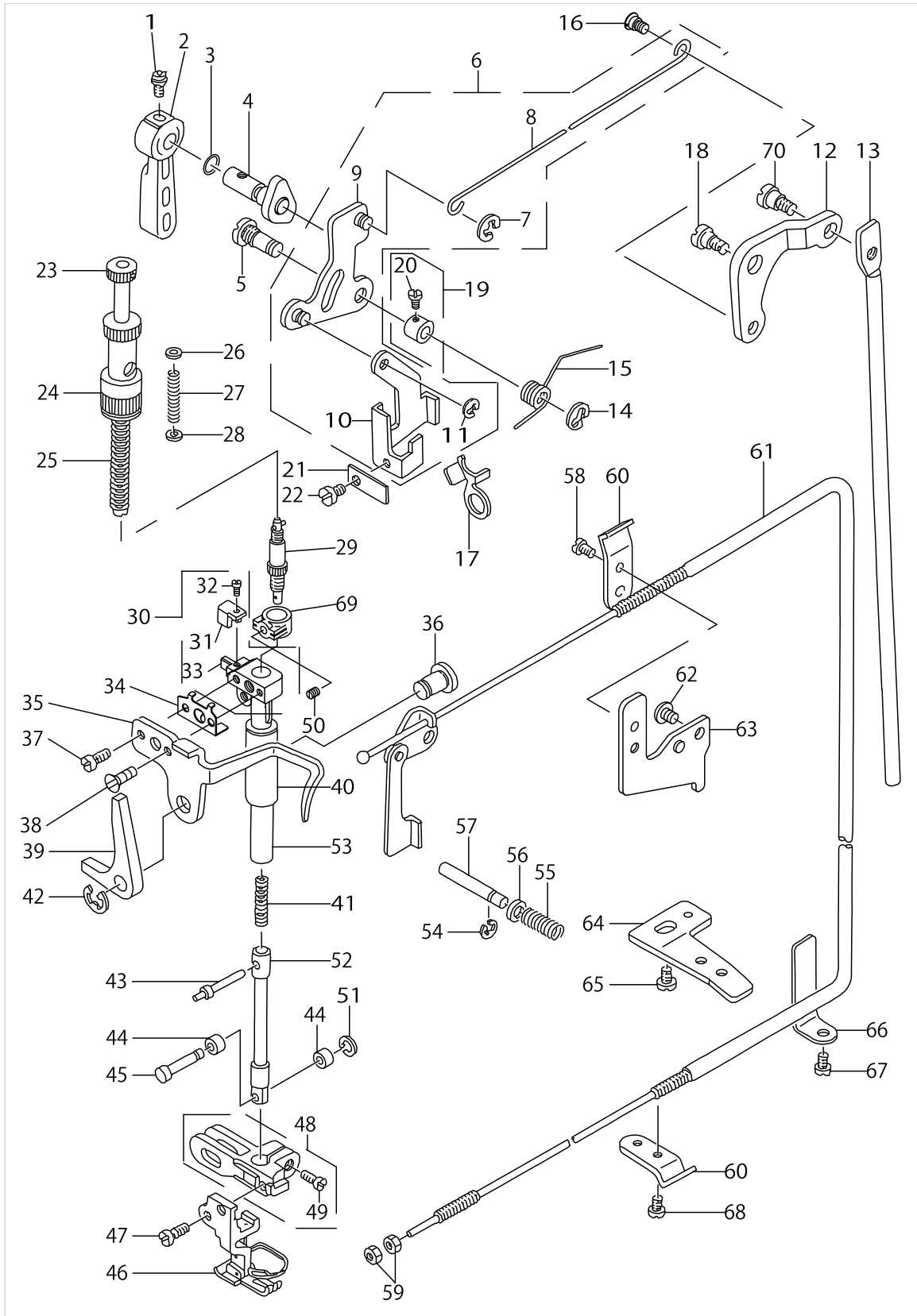
HAND LIFTER COMPONENTS



HAND LIFTER COMPONENTS

No.	Parts No.	Parts name	Remarks	Level	Cons	Qty
1	B1521555000	SCREW				1
2	22907802	HAND LIFTER				1
3	RO037180100	RUBBER RING				1
4	22908552	HAND LIFTER CAM ASM.				1
5	11205218	LIFTING LEVER LINK SHAFT				1
6	11271053	LIFTING LEVER ASM.				1
7	RE0500000K0	E-RING		*		1
8	22908305	KNEE LIFTER SIDE ROD		*		1
9	22908156	LIFTING LINK ASM.		*		1
10	11271004	LIFTING LEVER		*		1
11	RE0500000K0	E-RING		*		1
12	11205309	LIFTING LEVER LINK				1
13	11205408	CONNECTING ROD				1
14	RE0500000K0	E-RING				1
15	11230802	SPRING				1
16	22908909	HINGE SCREW				1
17	11220100	TENSION RELEASE PLATE				1
18	SD0720331SP	HINGE SCREW D=7.24 H=3.3				1
19	CS064061ASP	THRUST COLLAR ASM.				1
20	SS7090620TP	SCREW 9/64-40 L=6.1		*		1
21	11271301	PRESSER PLATE				1
22	SS6110480SP	SCREW 11/64-40 L=4.3				1
23	11204559	PRESSER SPRING REGULATOR ASM.				1
24	11204609	NUT				1
25	B1505227000A	PRESSER SPRING				1
26	WP0650816SP	WASHER				1
27	11205002	GUIDE BAR SPRING				1
28	WP0661016SP	WASHER				1
29	11217353	CAP ASM.				1
30	11204161	PRESSER ROD HOLDER ASM.				1
31	11204211	BRACKET GUIDE		*		1
32	SS4080620TP	SCREW 1/8-44 L=6		*		1
33	11204112	PRESSER BAR GUIDE BRACKET		*		1
34	11204302	BRACKET PLATE				1
35	11271103	PRESSER BAR THREAD GUIDE				1
36	11271202	SHAFT PIN				1
37	SS7111810SP	SCREW 11/64-40 L=18				1
38	SS2090810SP	SCREW 9/64-40 L=7.5				1
39	11216801	DRIVING PRESSER ARM				1
40	11204401	BUSHING				1
41	11217601	WALKING FOOT SPRING				1
42	RE0400000K0	E-RING 4				1
43	11275005	DRIVING BAR PIN				1
44	11217213	ROLLER				2
45	11217114	ROLLER SHAFT				1
46	B1524491BB0	PRESSER FOOT ASM. B				1
47	SS6121220TP	SCREW 3/16-28 L=11.5				1

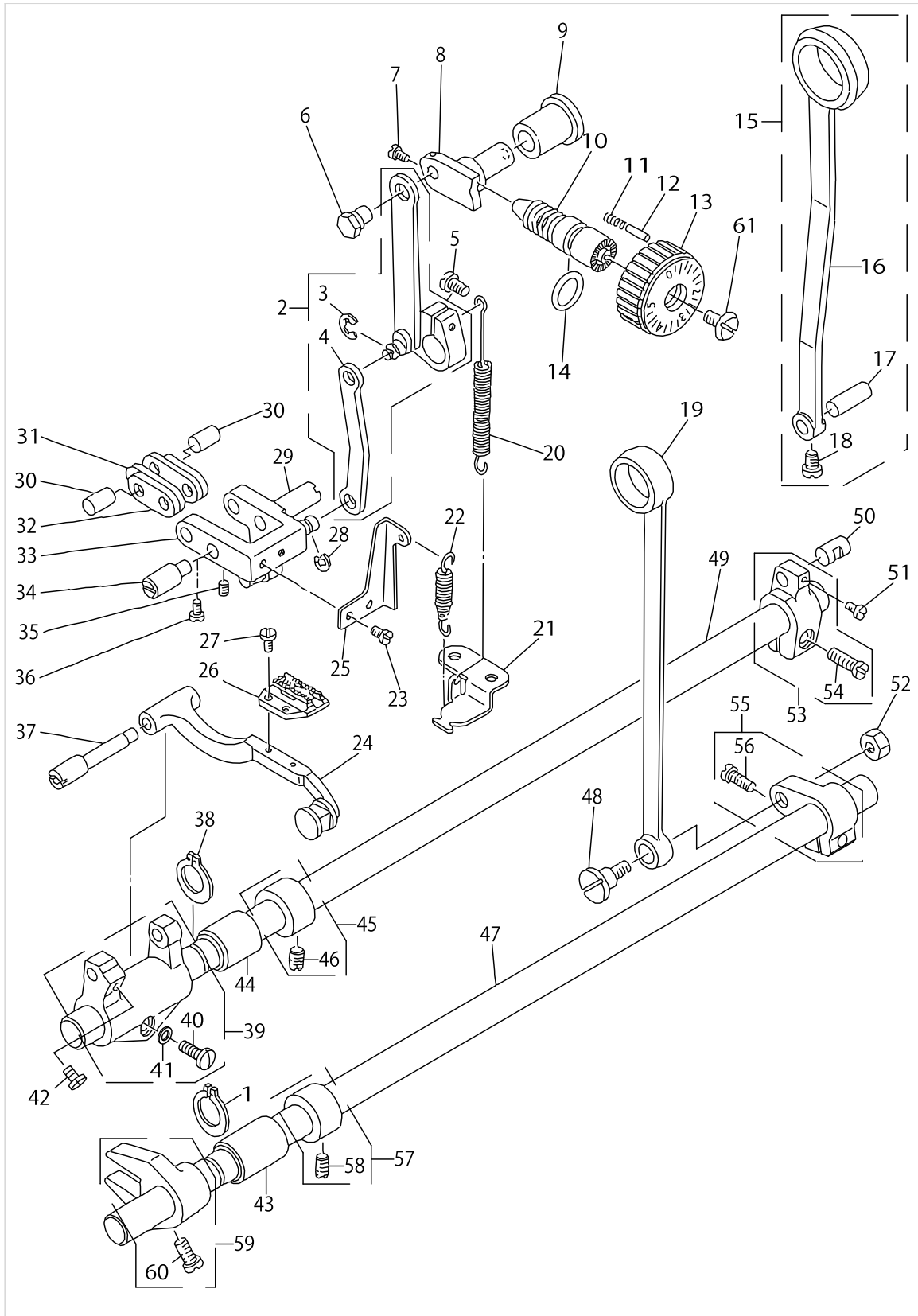
HAND LIFTER COMPONENTS



HAND LIFTER COMPONENTS

No.	Parts No.	Parts name	Remarks	Level	Cons	Qty
48	11215258	PRESSER BAR BASE ASM.				1
49	SS6121220TP	SCREW 3/16-28 L=11.5		*		1
50	SS8110422TP	SCREW 11/64-40 L=4				1
51	RC0260415KP	SNAP RING				1
52	11230117	DRIVING BAR				1
53	11204013	PRESSER BAR				1
54	RE0400000K0	E-RING 4				1
55	22920409	THREAD RELEASE PIN SPRING				1
56	11220308	THRUST WASHER				1
57	11220001	PIN				1
58	SS4110515SP	SCREW 11/64-40 L=5				1
59	NS6620310SP	NUT 3/16-32				2
60	22944508	WIRE PRESSER A				2
61	11230562	WIRE TUBE				1
62	SS4120615SP	SCREW 3/16-28 L=6				1
63	22944607	WIRE PRESSER BASE UPPER				1
64	22962807	WIRE PRESSER BASE B LOWER				1
65	SS7110740TP	SCREW 11/64-40 L=7				1
66	11046000	WIRE CABLE HOLDER				1
67	SS4120615SP	SCREW 3/16-28 L=6				1
68	SS4110515SP	SCREW 11/64-40 L=5				1
69	11205507	PRESSER ROD STOPPER				1
70	SD0600322SD	HINGE SCREW D=6 H=3.2				1

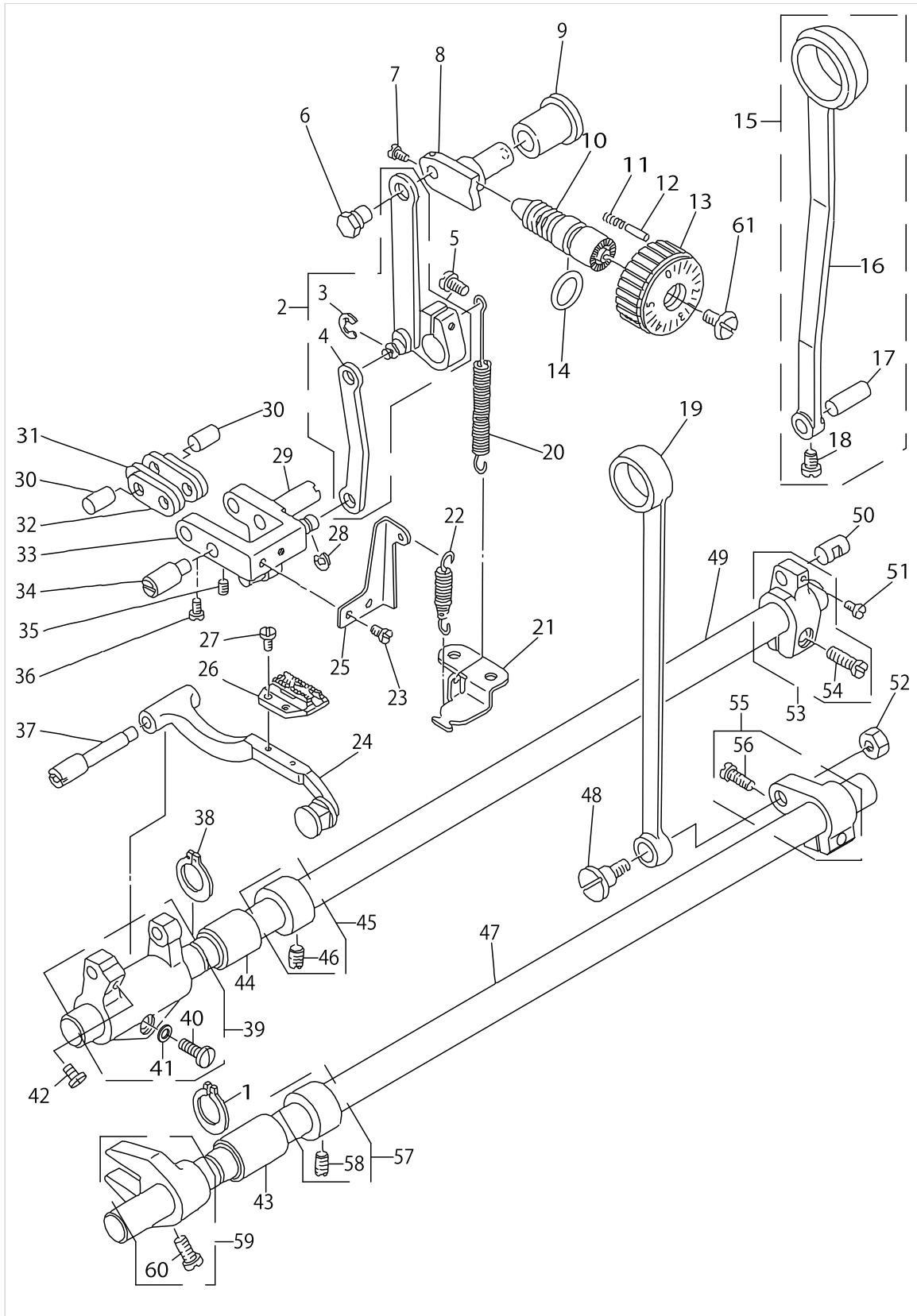
FEED MECHANISM COMPONENTS



FEED MECHANISM COMPONENTS

No.	Parts No.	Parts name	Remarks	Level	Cons	Qty
1	RC0150001KP	RETAINING RING 13.8				1
2	11206463	FEED CHANGING ARM ASM.				1
3	RE0500000K0	E-RING		*		1
4	11206208	CONNECTING ROD B		*		1
5	SS6121220TP	SCREW 3/16-28 L=11.5				1
6	11206307	FEED REGULATOR PIN				1
7	SS6090670TP	SCREW 9/64-40 L=6				2
8	11206406	FEED REGULATOR				1
9	11273406	FEED REGULATOR BUSHING				1
10	22911804	FEED REGULATOR SCREW				1
11	22912109	FEED REGULATOR PIN SPRING				1
12	22912000	FEED REGULATOR PIN				1
13	11071909	FEED DIAL				1
14	RO092270200	RUBBER RING				1
15	40080424	CONNECTING ROD ASM.				1
16	11206000	CONNECTING ROD		*		1
17	22911101	WALKING FOOT PIN C		*		1
18	SS6090620TP	SCREW		*		1
19	22915003	CONNECTING ROD				1
20	11010303	FEED REVERSE SPRING				1
21	11091907	FEED SPRING HOOK				1
22	11091204	ADJUST LINK SPRING				1
23	SS4110515SP	SCREW 11/64-40 L=5				2
24	22940753	FEED BAR ASM.				1
25	22941306	REGULATOR LINK SPRING HOOK				1
26	B1613450A00	FEED DOG A				1
27	SS4080620TP	SCREW 1/8-44 L=6				2
28	RE0500000K0	E-RING				1
29	40010395	ADJUSTING LINK FULCRUM SHAFT B				1
30	22910905	WALKING FOOT PIN A				2
31	40089548	CONNECTING LINK B				2
32	40093417	CONNECTING LINK A				2
33	22940951	FEED ADJUST LINK ASM.				1
34	22910806	ADJUST LINK FULCRUM SHAFT A				1
35	SS8150710TP	SCREW 15/64-28 L=7				1
36	SS6090620TP	SCREW				2
37	22940803	FEED BAR SHAFT				1
38	RC0150001KP	RETAINING RING 13.8				1
39	22940654	FEED ROCKER ASM.				1
40	SS7121410TP	SCREW 3/16-28 L=14		*		1
41	WP0480856SP	WASHER 4.8X8.4X0.8		*		1
42	SS7110740TP	SCREW 11/64-40 L=7				1
43	22913008	FEED ROCKER SHAFT BUSHING				1
44	22913008	FEED ROCKER SHAFT BUSHING				1
45	CS147121ASH	THRUST COLLAR ASM. D=14.72 W=12				1
46	SS8660610TP	SCREW 1/4-40 L=6		*		2
47	22915201	FEED DRIVING SHAFT				1

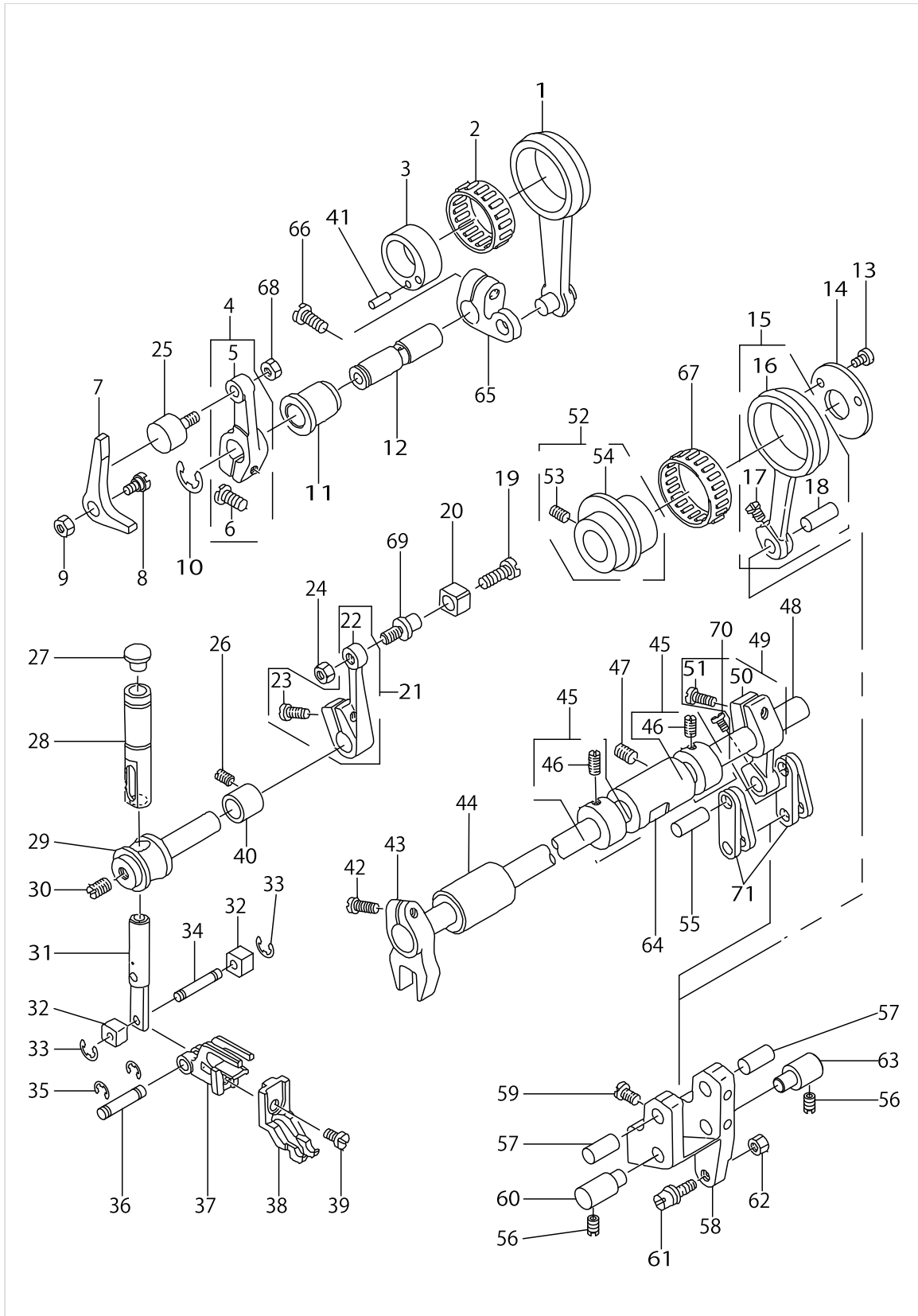
FEED MECHANISM COMPONENTS



FEED MECHANISM COMPONENTS

No.	Parts No.	Parts name	Remarks	Level	Cons	Qty
48	SD1000801SH	HINGE SCREW D=10 H=8				1
49	22912901	FEED ROCKER SHAFT				1
50	22911002	WALKING FOOT PIN B				1
51	SS6090620TP	SCREW				1
52	NS6680410SP	NUT 9/32-28				1
53	22910350	FEED ROCKER SHAFT CRANK ASM.				1
54	SS6121610SP	SCREW 3/16-28 L=15.5		*		1
55	11014156	REAR CRANK ASM.				1
56	SS7121610SP	SCREW 3/16-28 L=15.5		*		1
57	CS147121ASH	THRUST COLLAR ASM. D=14.72 W=12				1
58	SS8660610TP	SCREW 1/4-40 L=6		*		2
59	22915359	DRIVING SHAFT CRANK ASM.				1
60	SS7111120SP	SCREW 11/64-40 L=10.5		*		1
61	SS6121860SP	SCREW 3/16-28 L=18				1

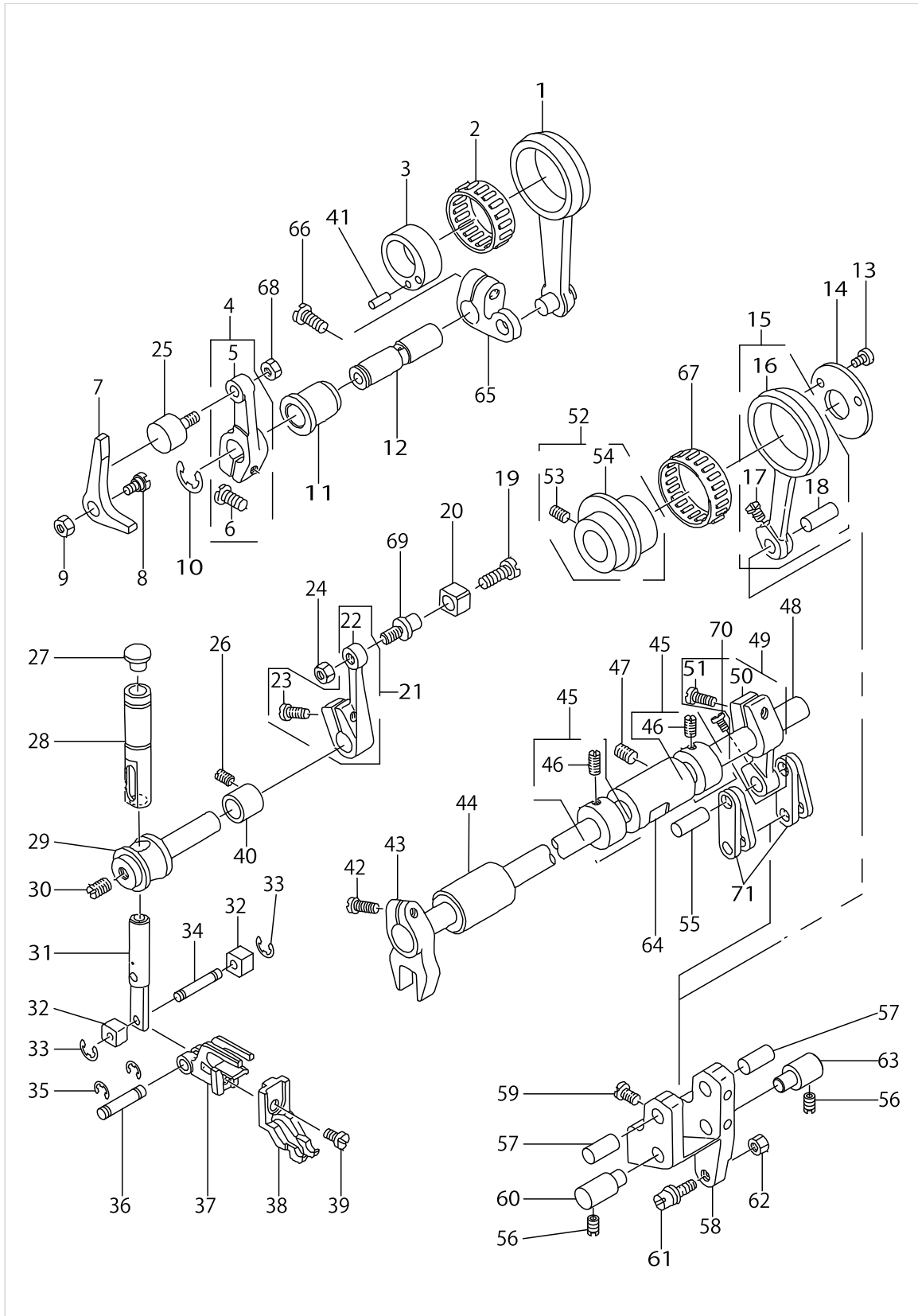
TOP FEED MECHANISM COMPONENTS



TOP FEED MECHANISM COMPONENTS

No.	Parts No.	Parts name	Remarks	Level	Cons	Qty
1	11216157	WALKING FOOT DRIVING ROD ASM.				1
2	B1609804B00	NEEDLE BEARING				1
3	11216009	WALKING FOOT DRIVING CAM				1
4	11216652	VERTICAL ARM ASM. FRONT				1
5	11216603	DRIVING ARM FRONT		*		1
6	SS6121250TP	SCREW 3/16-28 L=11.5		*		1
7	11216801	DRIVING PRESSER ARM				1
8	SD0640451TP	HINGE SCREW D=6.35 H=4.5				1
9	NS6620310SP	NUT 3/16-32				1
10	RE0700000K0	E-RING 7				1
11	11216504	DRIVING SHAFT BUSHING				1
12	11216405	WALKING FOOT DRIVING SHAFT				1
13	SS6090630SP	SCREW 9/64-40 L=6				2
14	11210119	THRUST COLLAR				1
15	40078218	WALKING FOOT DRIVING ROD ASM.				1
16	11210200	WALKING FOOT DRIVING ROD		*		1
17	SS7090910TP	SCREW 9/64-40 L=8.5		*		1
18	22911101	WALKING FOOT PIN C		*		1
19	SS7110570SP	SCREW 11/64-40 L=4.8				1
20	11214301	ROLLER				1
21	11214152	LEVEL ARM ASM. (LOWER)				1
22	11214103	FEED ROCKER SHAFT CRANK LOWER		*		1
23	SS6121220TP	SCREW 3/16-28 L=11.5		*		1
24	NS6120310SP	NUT 3/16-28				1
25	11216702	DRIVING ROLLER				1
26	SS8120410SP	SCREW 3/16-28 L=3.8				1
27	TA0850604R0	RUBBER PLUG				1
28	11214608	FEED ROCKER BAR BUSHING				1
29	11214400	FEED ROCKER SHAFT				1
30	SS8150410TP	SCREW 15/64-28 L=4.0				1
31	11214756	HORIZONTAL BAR ASM.				1
32	11215118	ROLLER				2
33	RC0330415KP	SNAP RING				2
34	11215019	ROLLER SHAFT				1
35	RC0330415KP	SNAP RING				2
36	11214806	PIN				1
37	11214905	WALKING FOOT MOUNT				1
38	B3026490B00	WALKING FOOT B				1
39	SS6110610TP	SCREW 11/64-40 L=6				1
40	11214509	BUSHING				1
41	B3016450000A	PIN				1
42	SS6121220TP	SCREW 3/16-28 L=11.5				1
43	11214004	FEED ROCKER SHAFT CRANK UPPER				1
44	11211000	ROCK SHAFT BUSHING FRONT				1
45	CS120101BSH	THRUST COLLAR ASM.				2
46	SS8660410SP	SCREW 1/4-40 L=4.2		*		4
47	SS8120740SP	SCREW 3/16-28 L=7				1

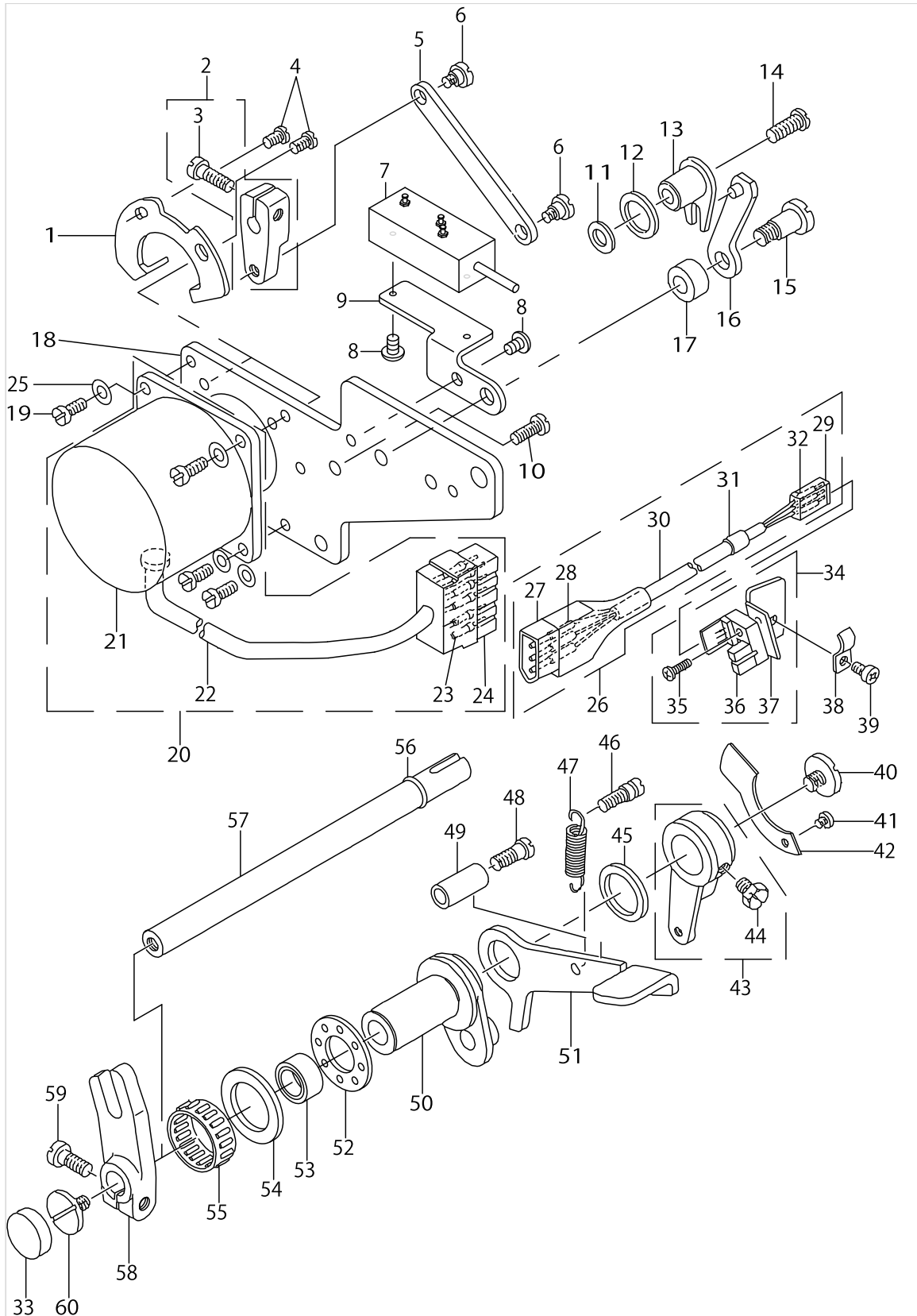
TOP FEED MECHANISM COMPONENTS



TOP FEED MECHANISM COMPONENTS

No.	Parts No.	Parts name	Remarks	Level	Cons	Qty
48	11210804	WALKING FOOT ROCK SHAFT				1
49	11210754	WALKING FOOT ARM ASM.				1
50	11210705	WALKING FOOT ARM		*		1
51	SS6121220TP	SCREW 3/16-28 L=11.5		*		1
52	11210051	LEVEL CAM ASM.				1
53	SS8660530TP	SCREW 1/4-40 L=4.5		*		2
54	11210002	CAM		*		1
55	22911002	WALKING FOOT PIN B				1
56	SS8120740SP	SCREW 3/16-28 L=7				2
57	22910905	WALKING FOOT PIN A				2
58	11210325	WALKING FOOT ADJUSTING LINK				1
59	SS4090815SP	SCREW 9/64-40 L=8				2
60	11210507	WALKING FOOT FULCRUM SHAFT A				1
61	11210408	WALKING FOOT ADJUSTING PIN				1
62	NS6620310SP	NUT 3/16-32				1
63	11210614	FULCRUM SHAFT B				1
64	11210903	ROCK SHAFT BUSHING REAR				1
65	11216306	DRIVING ARM REAR				1
66	SS6121220TP	SCREW 3/16-28 L=11.5				1
67	B412352200B	NEEDLE ROLLAR				1
68	NM6040001SD	NUT M4				1
69	11214202	WALING FOOT HORIZONTAL LOWER				1
70	SS7090910TP	SCREW 9/64-40 L= 8.5				1
71	40089548	CONNECTING LINK B				4

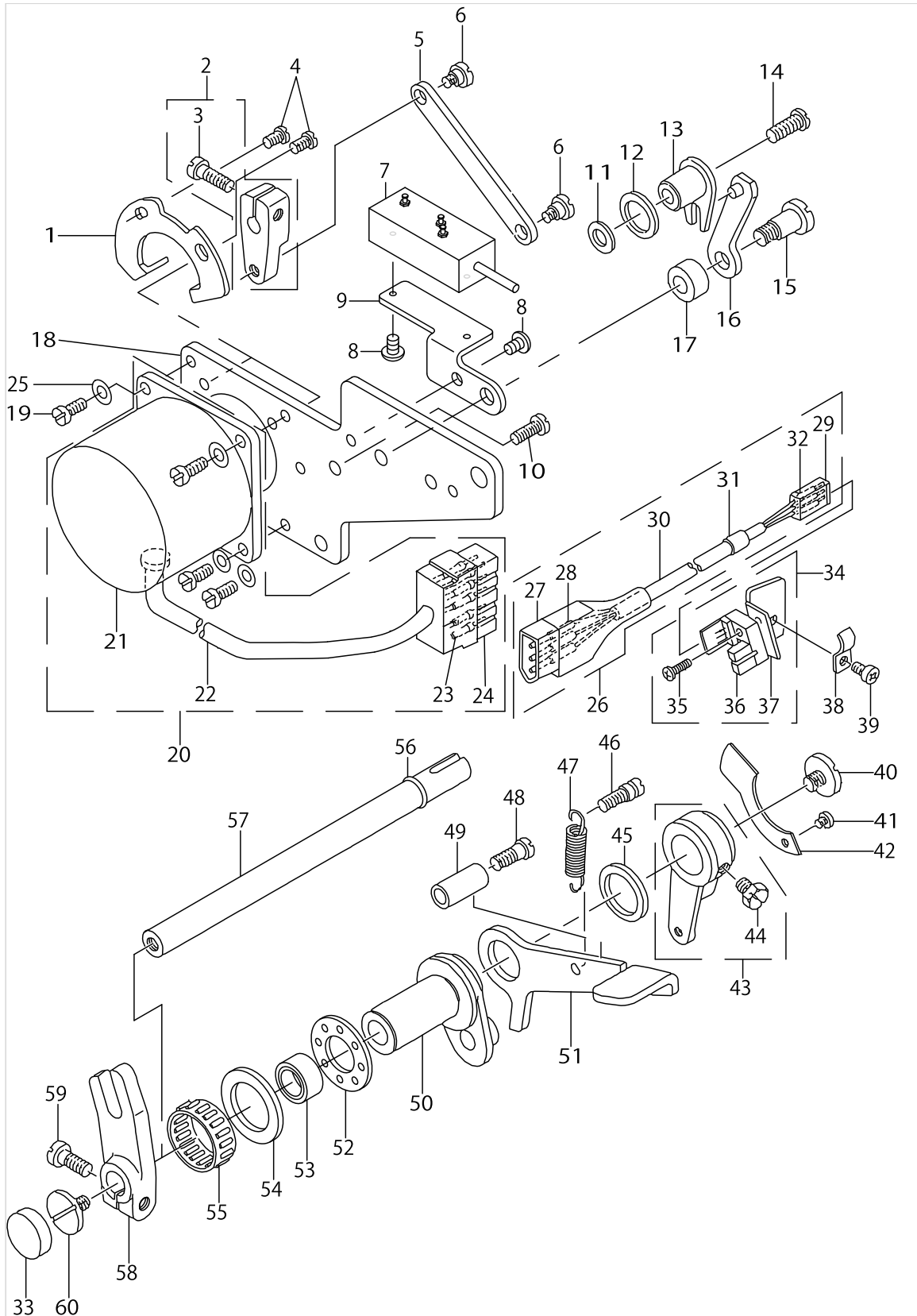
TOP FEED MECHANISM & MOTOR COMPONENTS



TOP FEED MECHANISM & MOTOR COMPONENTS

No.	Parts No.	Parts name	Remarks	Level	Cons	Qty
1	11274701	MOTOR ARM STOPPER				1
2	11274552	MOTOR ARM ASM.				1
3	SS6121010SP	SCREW 3/16-28 L=10		*		1
4	SS4110615SP	SCREW 11/64-40 L=6				2
5	11274602	MOTOR LINK				1
6	SD0640321SP	HINGE SCREW D=6.35 H=3.2				2
7	40034156	POTENTIOMETER ASM.				1
8	SS4110615SP	SCREW 11/64-40 L=6				3
9	40032986	POTENTIOMETER BASE				1
10	SS4120915SP	SCREW 3/16-28 L=9				1
11	11273505	BRANCH SPACER				1
12	11273307	OIL SEAL				1
13	11273158	POTENTIOMETER CRANK ASM.				1
14	SS7121410SP	SCREW 3/16-28 L=14				1
15	SD0870401SP	HINGE SCREW D=8.73 H=4				1
16	11272952	POTENTIOMETER ARM ASM.				1
17	11273000	POTENTIOMETER ARM COLLAR				1
18	11274313	STEPPING MOTOR BASE				1
19	SS4110915TP	SCREW 11/64-40 L=9				4
20	11281458	STEPPING MOTOR				1
21	HM001020000	PULSE MOTOR		*		1
22	E8760452M00	TUBE		*		0.62
23	HK034610060	HOUSING 6P		*		1
24	HK03464000B	PIN CONTACT		*		6
25	WP0460556SD	WASHER 4.6X7.5X0.5				4
26	11281557	TRUNK CORD ASM.				1
27	HK034610040	HOUSING		*		1
28	HK03464000B	PIN CONTACT		*		3
29	HK011610030	3-POLE CONNECTOR		*		1
30	HW000880030	TUBE		*		1.1
31	E8760452G00	TUBE		*		0.02
32	HK011640000	PIN CONTACT		*		3
33	TA1750502R0	RUBBER PLUG D=17.5 L=5				1
34	11274859	SENSOR ASM.				1
35	SL4031081SF	SCREW M3 L=10		*		1
36	HD000570000	SENSOR		*		1
37	11274800	SENSOR BASE		*		1
38	D2611555B00A	CABLE HOLDER				1
39	SS4110615SP	SCREW 11/64-40 L=6				1
40	SS7620750SP	SCREW 3/16-32 L=6.5				1
41	SS4110615SP	SCREW 11/64-40 L=6				1
42	11274206	SENSOR PLATE				1
43	11274156	WALKING FOOT LEVER ARM ASM.				1
44	SS9660910SP	SCREW 1/4-40 L=9.4		*		1
45	11272408	THRUST COLLAR				1
46	11272614	FEED SPRING HOOK				1
47	11272507	SPRING				1

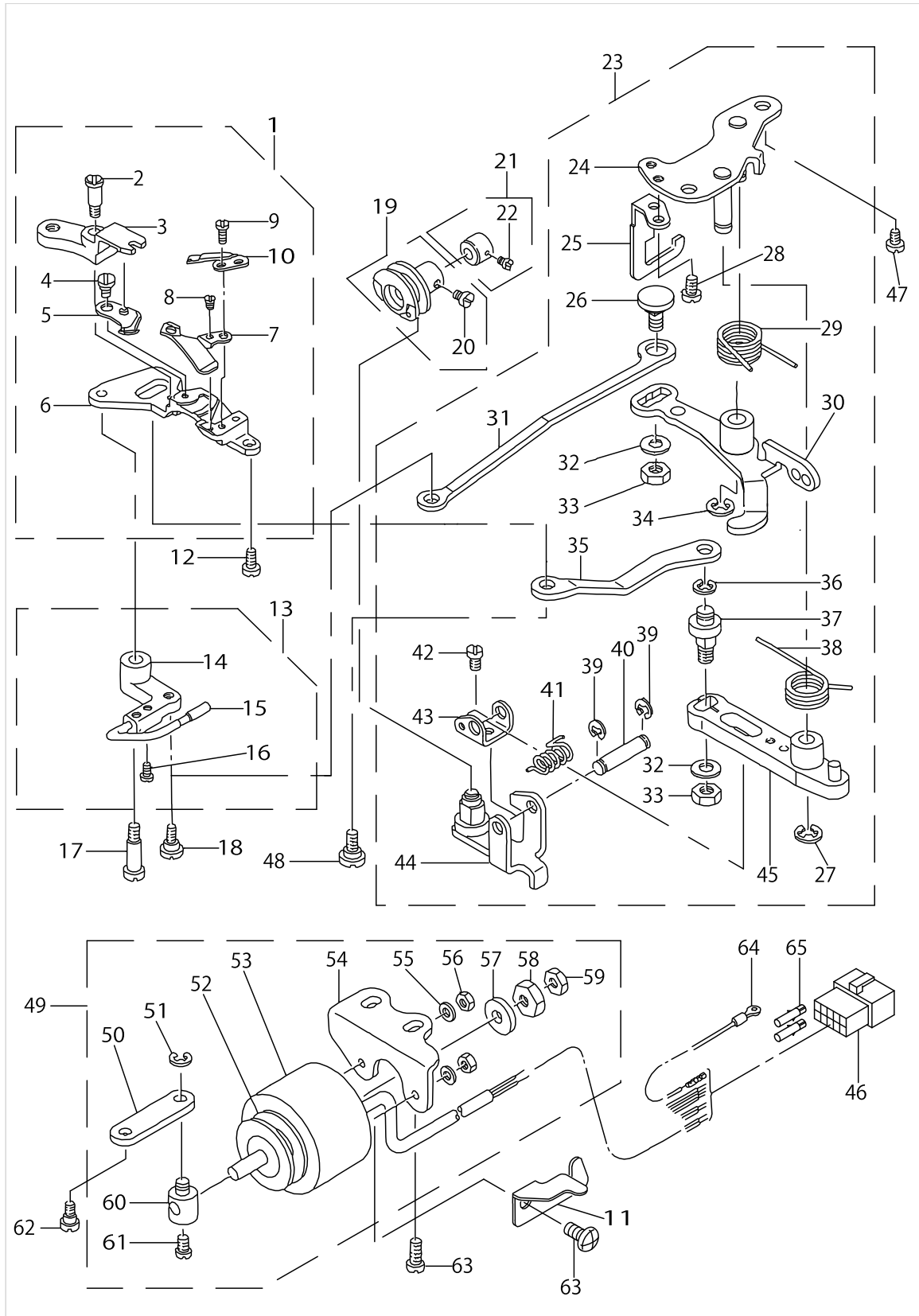
TOP FEED MECHANISM & MOTOR COMPONENTS



TOP FEED MECHANISM & MOTOR COMPONENTS

No.	Parts No.	Parts name	Remarks	Level	Cons	Qty
48	SS6121840SP	SCREW 3/16-28 L=18				1
49	11100500	REVERSE FEED LEVER STOPPER				1
50	11272051	LEVER BASE ASM.				1
51	11280401	FEED CONTROL LEVER				1
52	B1211980000	UPPER SHAFT THRUST BEARING				1
53	B1641490000	OIL SEAL				1
54	B1242980000	THRUST WASHER SMALL				1
55	B1644490000	NEEDLE BEARING				1
56	RO069180100	RUBBER RING				1
57	11274008	LEVER SHAFT				1
58	11211109	WALKING FOOT ADJUSTING ARM				1
59	SS6121250TP	SCREW 3/16-28 L=11.5				1
60	SS7620750SP	SCREW 3/16-32 L=6.5				1

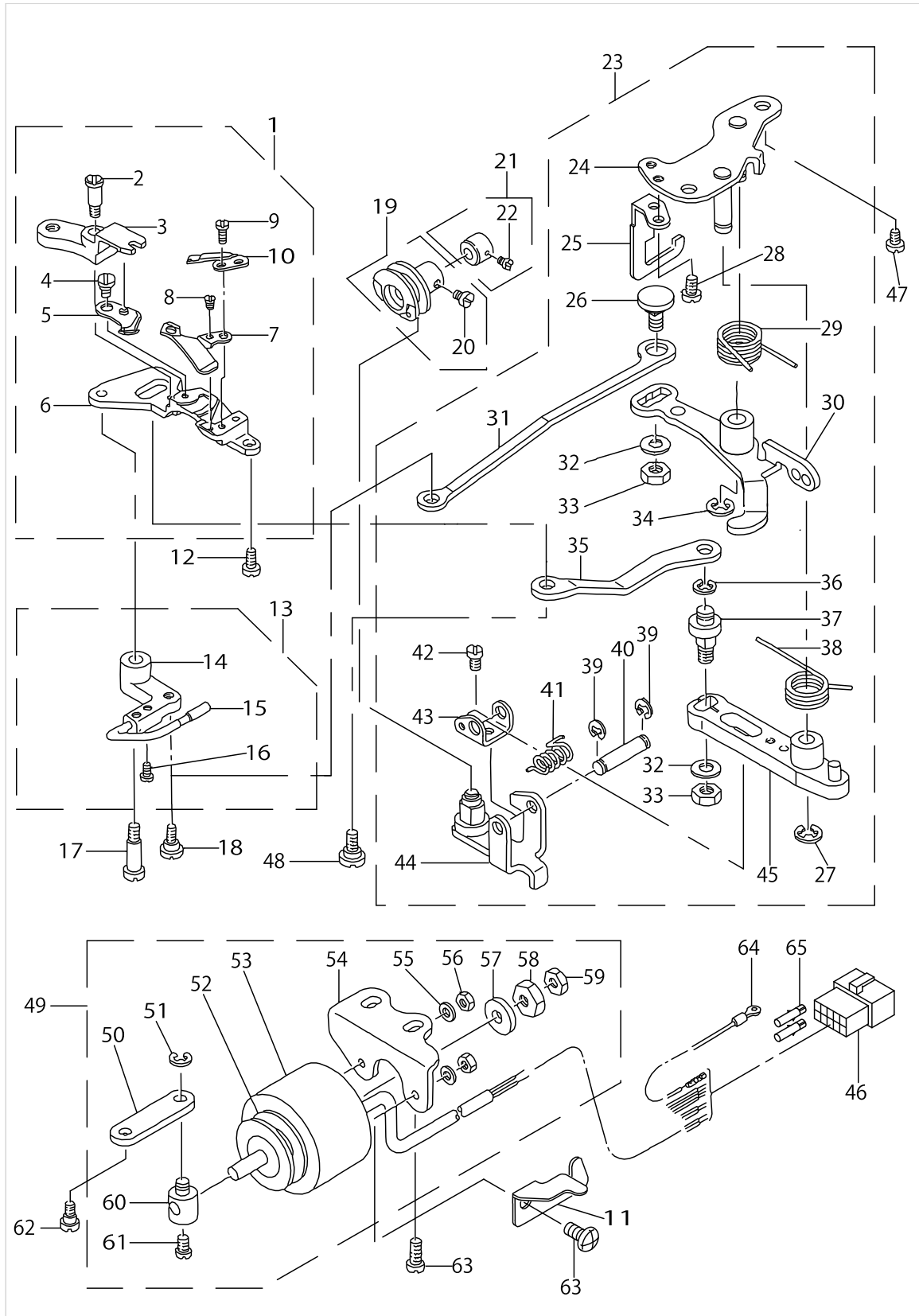
THREAD TRIMMER COMPONENTS



THREAD TRIMMER COMPONENTS

No.	Parts No.	Parts name	Remarks	Level	Cons	Qty
1	11232055	KNIFE UNIT				1
2	SD0460703TP	HINGE SCREW D=4.6 H=7		*		1
3	11232105	FORKED BASE FOR KNIFE		*		1
4	SD0500095TH	HINGE SCREW D= 5 H= 0.85		*		1
5	11040052	MOVING KNIFE ASM.		*		1
6	22947907	KNIFE MOUNTING BASE		*		1
7	11040201	THREAD GUIDE FOR KNIFE		*		1
8	SS2060210SP	SCREW 3/32-56 L=2.3		*		1
9	SS4080620TP	SCREW 1/8-44 L=6		*		2
10	D2406555D0H	COUNTER KNIFE		*		1
11	22962708	TUBE HOLDER LOWER				1
12	SS4110715SP	SCREW 11/64-40 L=7				1
13	22950257	PICKER ARM ASM.				1
14	22950208	PICKER ARM		*		1
15	22950356	HOOK THREAD PRESSER ASM.		*		1
16	SS6090510SP	SCREW 9/64-40 L=5		*		2
17	SD0641451SP	HINGE SCREW D= 6.35 H=14.5				1
18	SD0630275SP	HINGE SCREW D= 6.35 H=2.7				1
19	22950851	THREAD TRIMMER CAM ASM.				1
20	SS6660610TP	SCREW 1/4-40 L=6		*		2
21	11042959	CAM COLLAR ASM.				1
22	SS8110520TP	SCREW 11/64-40 L=4.5		*		1
23	22949762	THREAD TRIMMER DRIVING UNIT				1
24	22949754	BASE PLATE ASM.		*		1
25	22950703	DRIVING ARM STOPPER		*		1
26	22950000	PICKER LINK PIN		*		1
27	RE0600000K0	E-RING 6		*		1
28	SS4110715SP	SCREW 11/64-40 L=7		*		2
29	22949408	CLUTCH SPRING		*		1
30	40087245	CLUTCH PLATE ASM.		*		1
31	22950109	PICKER LINK		*		1
32	WP0621016SH	WASHER		*		2
33	NS6150430SP	NUT 15/64-28		*		2
34	RE0600000K0	E-RING 6		*		1
35	22948301	MOVING KNIFE LINK		*		1
36	RE0500000K0	E-RING		*		1
37	22948400	MOVING KNIFE LINK PIN		*		1
38	22949309	KNIFE RETURN SPRING B		*		1
39	RE0400000K0	E-RING 4		*		2
40	22949101	ROLLER FULCRUM SHAFT		*		1
41	22949200	ROLLER RETURN SPRING		*		1
42	SS7090610SP	SCREW 9/64-40 L=6		*		1
43	22949002	ROLLER ARM SEAT		*		1
44	11040953	ROLLER ARM ASM.		*		1
45	11040854	KNIFE DRIVING ARM ASM.		*		1
46	HK034610140	HOUSING 14P				1
47	SS4150915SP	SCREW 15/64-28 L=9				2

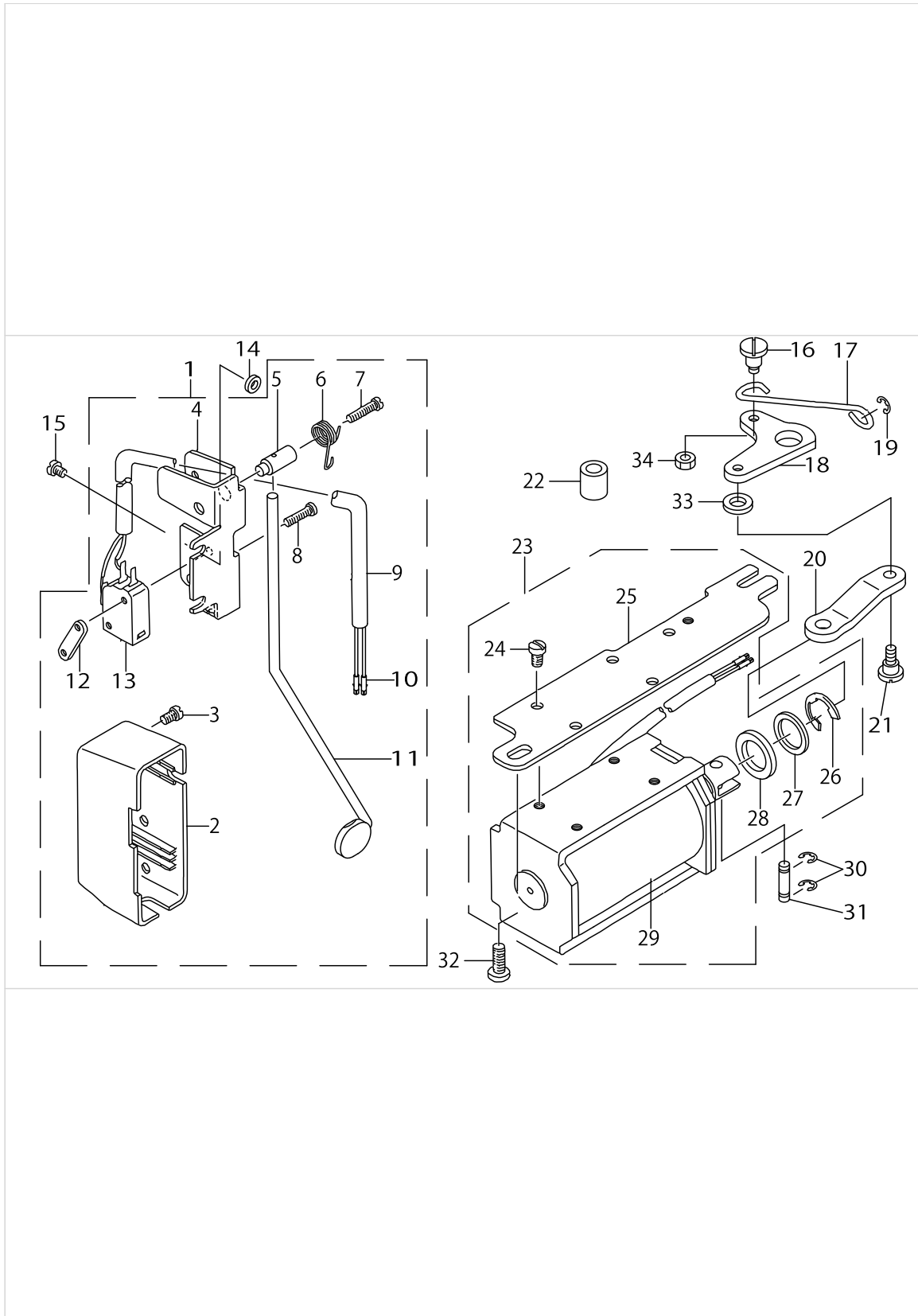
THREAD TRIMMER COMPONENTS



THREAD TRIMMER COMPONENTS

No.	Parts No.	Parts name	Remarks	Level	Cons	Qty
48	SD0640631TP	HINGE SCREW D=6.35 H=6.3				1
49	11043957	SOLENOID UNIT				1
50	11042207	CLUTCH LINK		*		1
51	RE0500000K0	E-RING		*		1
52	11043205	SOLENOID RUBBER A		*		1
53	11043908	THREAD TRIMMER SOLENOID		*		1
54	11043403	SOLENOID BASE		*		1
55	WP0450000SD	WASHER 4.5X8X0.5		*		2
56	NM6040000SN	NUT M4		*		2
57	11043304	SOLENOID RUBBER		*		1
58	NS6660410SH	NUT		*		1
59	NS6660430SP	NUT 1/4-40		*		1
60	11043007	SOLENOID PIN		*		1
61	SS6110710TP	SCREW 11/64-40 L=6.5		*		1
62	SD0600361SP	HINGE SCREW D=6 H=3.6				1
63	SS4151215SP	SCREW 15/64-28 L=12				2
64	11044054	GROUND WIRE ASM.				1
65	HK03464000B	PIN CONTACT				2

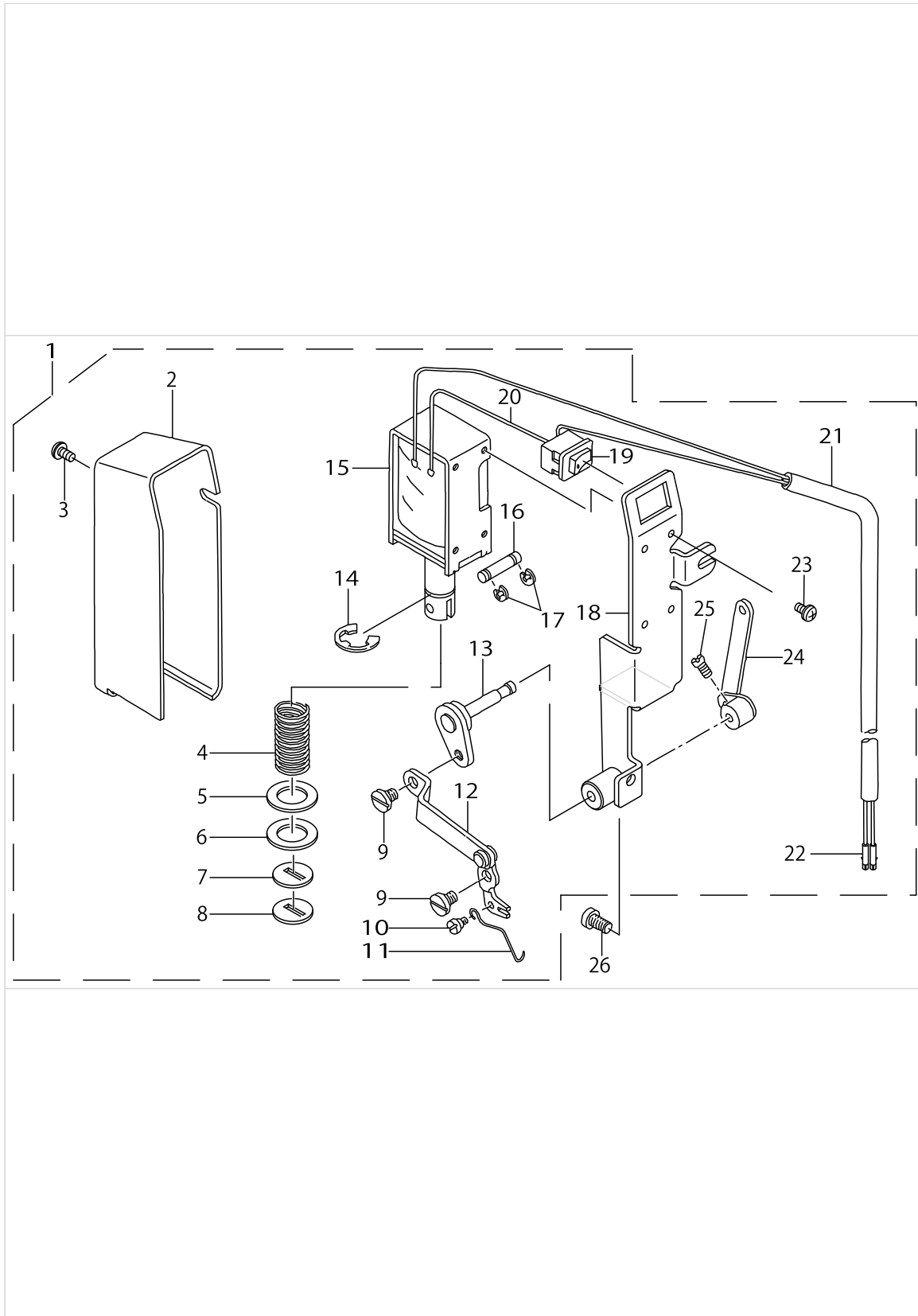
AUTOMATIC REVERSE FEED COMPONENTS



AUTOMATIC REVERSE FEED COMPONENTS

No.	Parts No.	Parts name	Remarks	Level	Cons	Qty
1	11257755	REVERSE FEED SWITCH ASM.				1
2	22954606	REVERSE FEED SWITCH COVER		*		1
3	SM4040655SP	SCREW		*		1
4	22954101	REVERSE FEED SWITCH BASE		*		1
5	22954200	REVERSE FEED SWITCH SHAFT		*		1
6	22954309	REVERSE FEED SWITCH SPRING		*		1
7	SM4041655SP	SCREW		*		1
8	SM4031501SC	SCREW M3 L=15		*		2
9	HW500070000	2-CORE CABTYRE CORD		*		1.31
10	HK03464000B	PIN CONTACT		*		2
11	11257607	REVERSE FEED CONTROL LEVER		*		1
12	11102308	MICRO SWITCH PLATE		*		1
13	HA001900000	MICROSWITCH		*		1
14	WP0553216SD	WASHER	FOR DLU-5494N-7-0B			1
15	SS4120915SP	SCREW 3/16-28 L=9				1
16	SD0700451TP	HINGE SCREW D=7 H=4.5				1
17	11101300	REVERSE FEED CONNECTING SHAFT				1
18	11101508	REVERSE FEED LINK				1
19	RE0500000KP	E-RING 5				1
20	22962500	SOLENOID CONNECTING LINK				1
21	SD0700711TP	HINGE SCREW D=7 H=7.1				1
22	22962609	REVERSE FEED BASE COLLAR				1
23	40108027	SOLENOID MOUNTING BASE ASM.				1
24	SS7110740TP	SCREW 11/64-40 L=7		*		4
25	40107992	SOLENOID INSTALLING PLATE		*		1
26	RE1200000K0	E-RING 12		*		1
27	WP1703001SC	WASHER 17X30X3		*		1
28	D2468555B00	RUBBER PLUNGER		*		1
29	40090751	REVERSE FEED SOLENOID		*		1
30	RE0400000K0	E-RING 4				2
31	D2464555B00	LINK DRIVING MAGNET PIN				1
32	SS4150915SP	SCREW 15/64-28 L=9				1
33	WP0722316SH	WASHER				1
34	NS6110420SP	NUT 11/64-40				1

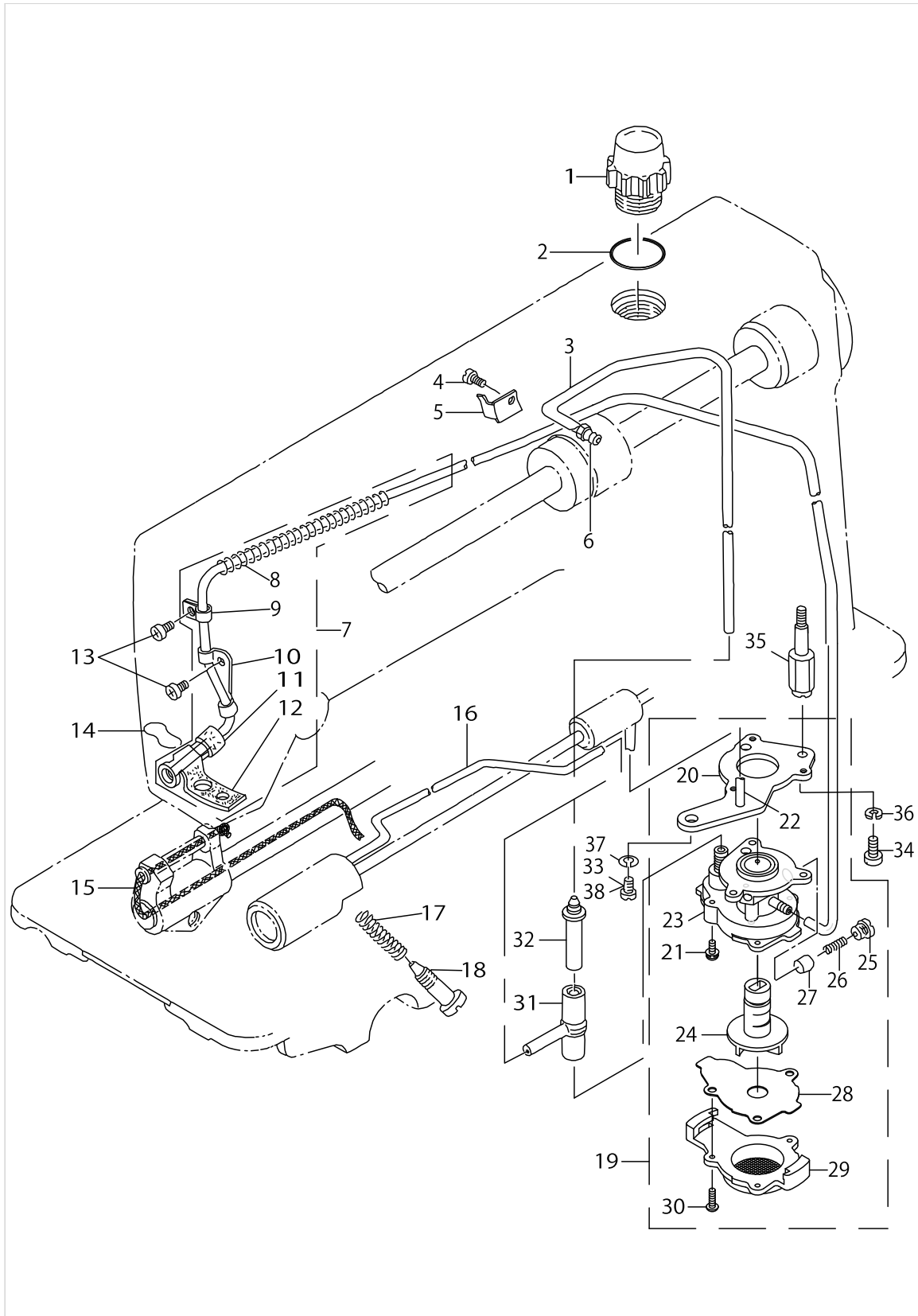
WIPER COMPONENTS



WIPER COMPONENTS

No.	Parts No.	Parts name	Remarks	Level	Cons	Qty
1	11258159	WIPER ASM.				1
2	11258001	WIPER COVER		*		1
3	SL4030621SS	SCREW M3		*		1
4	11233400	SPRING		*		1
5	WP1221016SP	WASHER		*		1
6	11234408	SOLENOID RUBBER		*		1
7	11233301	STOPPER RUBBER		*		1
8	11234606	STOPPER RUBBER WASHER		*		1
9	SD0550212TP	HINGE SCREW D=5.5 H=2.1		*		2
10	SS7090410SP	SCREW 9/64-40 L=3.5		*		1
11	D2104490D00	WIPER		*		1
12	11234150	WIPER DRIVING LINK ASM.		*		1
13	11233657	WIPER LEVER A ASM.		*		1
14	RE0900000K0	E-RING 9		*		1
15	11233202	WIPER SOLENOID		*		1
16	11234507	PLUNGER CONNECTING PIN		*		1
17	RE0300000K0	E-RING 3		*		2
18	11233053	WIPER INSTALLING BASE ASM.		*		1
19	HA000590000	POWER SWITCH		*		1
20	HW200390000	ELECTRIC WIRE		*		0.05
21	HW500070000	2-CORE CABTYRE CORD		*		1.33
22	HK03464000B	PIN CONTACT		*		2
23	SL4030641SE	SCREW		*		4
24	11233251	WIPER LEVER B ASM.		*		1
25	SS6110710TP	SCREW 11/64-40 L=6.5		*		2
26	SS4121015SP	SCREW 3/16-28 L=10				1

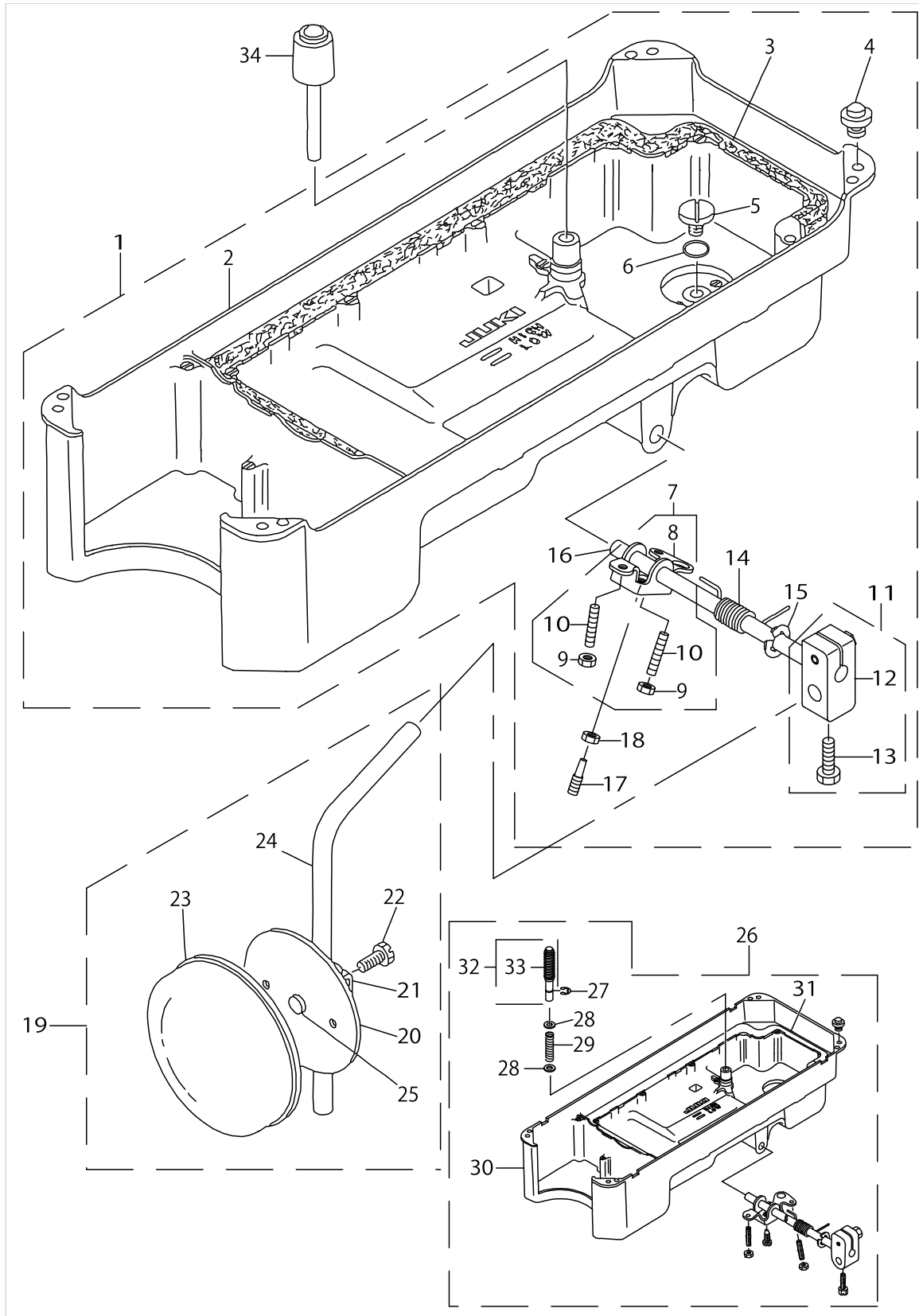
OIL LUBRICATION COMPONENTS



OIL LUBRICATION COMPONENTS

No.	Parts No.	Parts name	Remarks	Level	Cons	Qty
1	22947006	OIL SIGHT WINDOW				1
2	RO195240100	RUBBER RING				1
3	BT0600402EA	OIL TUBE				0.3
4	SS6080340SP	SCREW 1/8-44 L=2.9				1
5	11222007	HOLDER				1
6	SQ1150501SD	CONNECTING SCREW				1
7	11221652	OIL TUBE ASM.				1
8	B3404122000	SPRING		*		1
9	B3536122000	HOLDER		*		1
10	11221801	HOLDER A		*		1
11	11221702	FELT B		*		1
12	11221603	FELT A		*		1
13	SS4120615SP	SCREW 3/16-28 L=6				2
14	11221900	OIL FELT PRESSER				1
15	CQ252000000	OIL WICK				0.21
16	11021300	OIL TUBE				1
17	22924906	OIL REGULATOR SCREW SPRING				1
18	22925002	OIL REGULATOR SCREW				1
19	22923056	OIL PUMP ASM.				1
20	22923312	OIL PUMP INSTALLING BASE		*		1
21	SL4030851SF	SCREW M3 L=8		*		3
22	22923908	HOOK DRIVING SHAFT OILING PIPE		*		1
23	22923015	OIL PUMP		*		1
24	22923700	IMPELLER		*		1
25	22923502	PLUNGER SCREW		*		1
26	22923601	PLUNGER SPRING		*		1
27	22923403	PLUNGER		*		1
28	22923809	PUMP BODY SUPPORT PLATE		*		1
29	22923205	PUMP BODY COVER		*		1
30	SE4301041SR	SCREW D=3 L=10		*		3
31	22924609	RUBBER JOINT				1
32	11221504	OIL TUBE JOINT				1
33	SS4151215SP	SCREW 15/64-28 L=12	FOR DLU-5494N-7-0B,-WB			1
34	SS6111010TP	SCREW 11/64-40 L=9.5				1
35	11231503	OIL PUMP SUPPORT				1
36	WS0451040KP	SPRING WASHER 4.5X8.5X1	FOR DLU-5494N-7-0B,-WB			1
37	WS0651310KP	SPRING WASHER 6.5X11X1.3	FOR DLU-5494N-7-0B,-WB			1
38	SS4150915SP	SCREW 15/64-28 L=9	FOR DLU-5494N-7-00,-W0			1

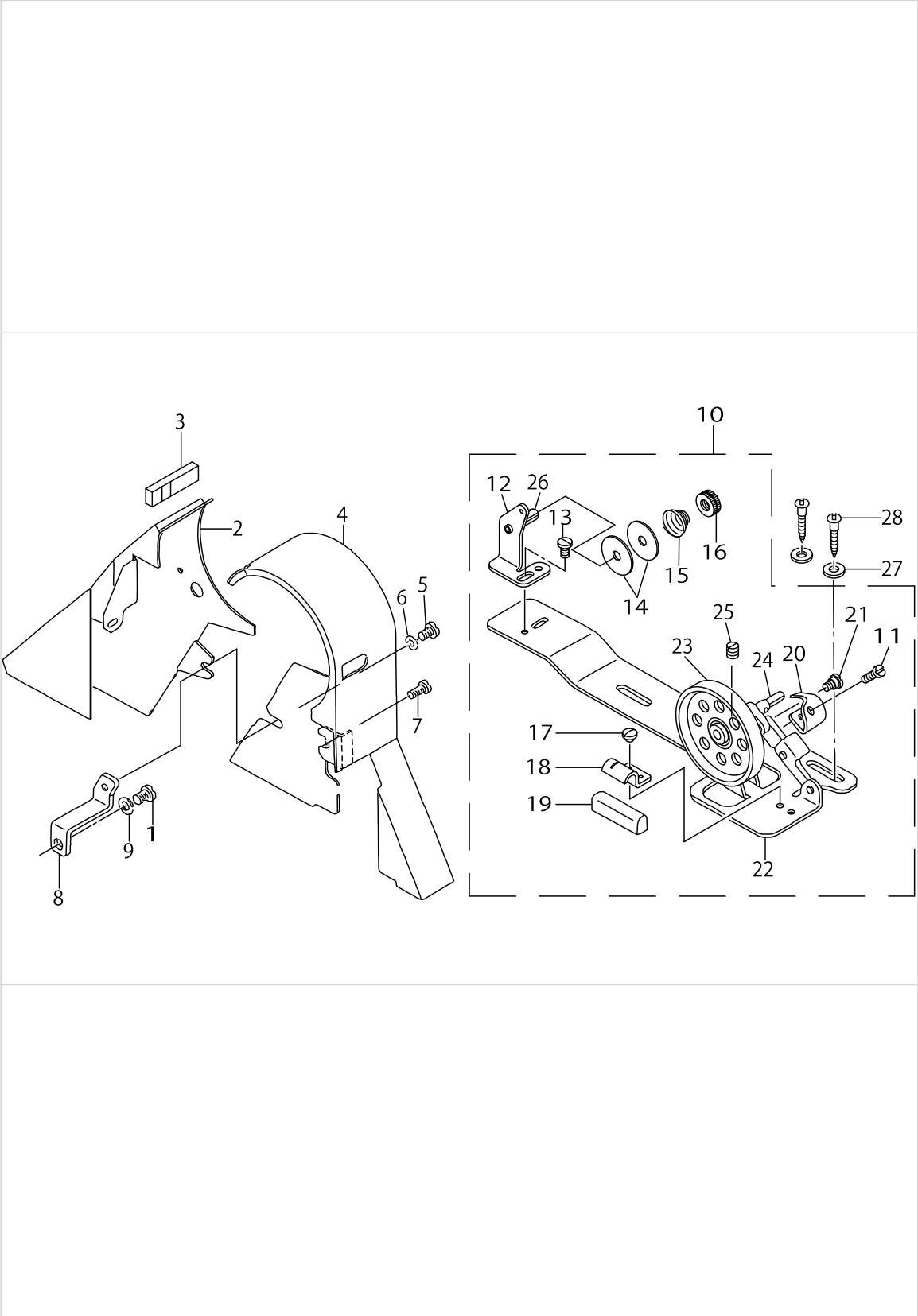
OIL RESERVOIR COMPONENTS



OIL RESERVOIR COMPONENTS

No.	Parts No.	Parts name	Remarks	Level	Cons	Qty
1	11047057	OIL RESERVOIR ASM.				1
2	11023017	OIL RESERVOIR		*		1
3	11024700	GASKET		*		1
4	11047107	RUBBER CUSHION		*		4
5	SS6700710SH	SCREW 5/16-24 L=7		*		1
6	RO098240100	RUBBER RING		*		1
7	22932156	KNEE LIFTER ROTATION ARM ASM.		*		1
8	11024015	CONNECTING ROT VERTICAL		*		1
9	NM6060001SE	NUT M6		*		2
10	SM8063012TR	SCREW M6 L=30		*		2
11	22932453	BRACKET ASM.		*		1
12	11024510	BRACKET		*		1
13	SM9062053SR	SCREW M6 L=20		*		2
14	22932206	SPRING		*		1
15	RE1000000K0	E-RING 10		*		1
16	22932305	KNEE PRESS CROSS SHAFT		*		1
17	SM9061853SR	SCREW M6 L=17.5		*		1
18	NM6060001SE	NUT M6		*		1
19	11023751	KNEE PRESS PLATE ASM.				1
20	11023702	KNEE PRESS PLATE		*		1
21	11023801	KNEE PRESS PLATE HOLDER		*		1
22	SM9061203SE	SCREW M6 L=12		*		1
23	B3431552000A	KNEE PRESS PLATE COVER		*		1
24	B3419122000	KNEE LIFTER PLATE ROD		*		1
25	11024403	RUBBER		*		1
26	11141454	OIL RESERVOIR ASM.	FOR JE			1
27	RE0400000K0	E-RING 4		*		1
28	WP0621016SD	WASHER 6.2X13X1		*		2
29	GAK30005000	SPRING		*		1
30	11141413	OIL RESERVOIR		*		1
31	11141900	GASKET		*		1
32	GAK300010B0	KNEE PRESS LIFTER ROD ASM.		*		1
33	GAK30004000	KNEE PRESS LIFTER ROD RUBBER		*		1
34	22931703	KNEE LIFTER PUSH ROD				1

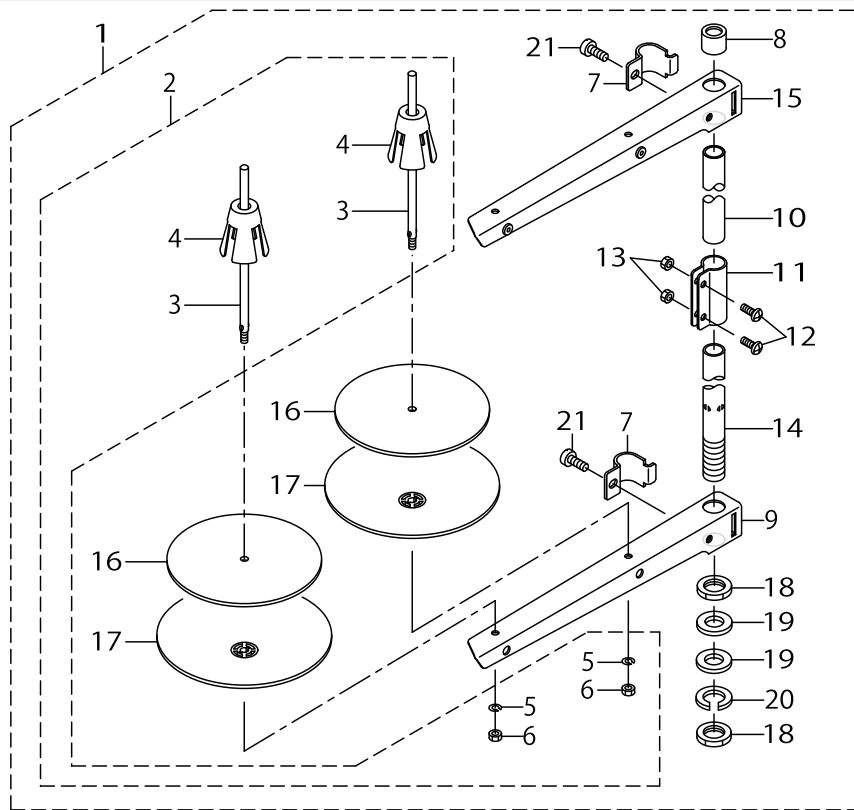
BELT COVER & BOBBIN WINDER COMPONENTS



BELT COVER & BOBBIN WINDER COMPONENTS

No.	Parts No.	Parts name	Remarks	Level	Cons	Qty
1	SS4150715SP	SCREW 15/64-28 L=7				1
2	11280609	BELT COVER A				1
3	11222908	COVER FELT				1
4	11280708	BELT COVER B				1
5	SS7110710SP	SCREW 11/64-40 L=7				1
6	WP0621016SD	WASHER 6.2X13X1				1
7	SS7701010SP	SCREW 5/16-24 L=10				1
8	11278306	BELT COVER STAY				1
9	WP0480856SP	WASHER 4.8X8.4X0.8				1
10	22927354	BOBBIN WINDER COMPL.				1
11	SS7081310SP	SCREW 1/8-44 L=12.5		*		1
12	22928501	THREAD TENSION POST BASE		*		1
13	SS4110515SP	SCREW 11/64-40 L=5		*		1
14	22928907	THREAD TENSION DISK		*		2
15	22929004	THREAD TENSION SPRING		*		1
16	22928808	NUT		*		1
17	SS7110350SP	SCREW 11/64-40 L=3.5		*		1
18	22928402	CONTROL RUBBER HOLDING PLATE		*		1
19	22928303	CONTROL RUBBER		*		1
20	22928105	BOBBIN PRESSER		*		1
21	SD0490261SP	HINGE SCREW D=4.9 H=2.6		*		1
22	22927305	BOBBIN WINDER BASE		*		1
23	22927404	BOBBIN WINDER		*		1
24	22927602	BOBBIN WINDER SPINDLE		*		1
25	SS8110510SP	SCREW 11/64-40 L=5		*		1
26	22928709	THREAD TENSION POST		*		1
27	WP0450826SC	WASHER 4.5X10X0.8				2
28	SK3412000SC	WOOD SCREW D=4.1 L=20				2

THREAD STAND COMPONENTS



THREAD STAND COMPONENTS

No.	Parts No.	Parts name	Remarks	Level	Cons	Qty
1	22930358	THREAD STAND ASM.				1
2	40062684	SPOOL PIN ASM.		*		1
3	22931000	SPOOL PIN		*		2
4	22931109	SPOOL RETAINER		*		2
5	WS0510002KN	SPRING WASHER		*		2
6	NM6050001SE	NUT M5		*		2
7	22930705	THREAD GUIDE ARM JOINT		*		2
8	22931406	SPOOL REST ROD RUBBER CAP		*		1
9	22930507	SPOOL REST ARM		*		1
10	22930408	SPOOL REST ROD UPPER		*		1
11	22931307	SPOOL REST ROD JOINT		*		1
12	SM4051405SE	SCREW M5 L=14		*		2
13	NM6050001SE	NUT M5		*		2
14	22930309	SPOOL REST ROD LOWER		*		1
15	22930556	THREAD STANDING ARM ASM.		*		1
16	22930903	SPOOL REST CUSHION		*		2
17	22930804	SPOOL REST		*		2
18	NM6160511SE	NUT M16X1.5		*		2
19	WP1612616SE	WASHER 16X30X2.6		*		2
20	WS1643202KR	SPRING WASHER		*		1
21	SM6061610SC	SCREW M6 L=16		*		2

LIST FOR INFORMATION OF CHANGE (1)

As to the place changed, refer to the corresponding Rev.No.
 When previous parts(Obsoleted part)and new parts(Added parts)are
 not interchangeable with each other:
 In this case,even obsoleted parts(D.)can be ordered with the
 obsoleted part number,so select the parts with changed dates and
 place your orders.

変更箇所は、該当Rev.No.版をご参照ください。
 部品の互換性がない変更の場合は、削除された品番でも、ご注文できます。

29122108
 No.0912-07 Rev.No.

*A:Added parts追加部品/D:Obsoleted parts削除部品/E:Erratum訂正

* Rev. No.	Page 頁	Ref. No.	Parts No. 品番	* Rev. No.	Page 頁	Ref. No.	Parts No. 品番
D 06	2	81	111-00104	A 07	2	81	400-93432
				A 07	2	97	401-16677
D 06	4	4	110-39070	A 07	4	4	229-18072
D 06	4	5	110-39062	A 07	4	5	229-18064
D 06	4	6	B1905-541-B00	A 07	4	9	229-18403
				A 07	4	10	229-18502
				A 07	4	11	229-18601
				A 07	4	12	229-18700
D 06	4	7	110-05204	A 07	4	7	229-18106
D 06	4	8	B1408-552-000	A 07	4	8	229-06606
D 06	4	9	B1903-552-000	A 07	4	6	229-18304
D 06	4	10	112-02173	A 07	4	13	400-95789
D 06	4	21	110-02508	A 07	4	21	401-05231
D 06	8	6	110-06350	A 07	8	9	229-08156
				A 07	8	6	112-71053
D 06	8	8	110-06905	A 07	8	8	229-08305
D 06	10	31	110-08703	A 07	10	31	400-89548
D 06	10	32	110-08604	A 07	10	32	400-93417
				A 07	12	52	112-10051
D 06	12	54	110-08703	A 07	12	71	400-89548
D 06	16	13	110-42553	A 07	16	13	229-50257
D 06	16	14	110-42504	A 07	16	14	229-50208
D 06	16	15	110-42652	A 07	16	15	229-50356
D 06	17	2	110-72501	A 07	17	2	229-54606
D 06	17	4	111-02001	A 07	17	4	229-54101
D 06	17	5	111-02100	A 07	17	5	229-54200
D 06	17	6	111-02209	A 07	17	6	229-54309
D 06	17	23	112-28459	A 07	17	23	401-08027
D 06	17	25	112-27600	A 07	17	25	401-07992
D 06	17	29	112-28400	A 07	17	29	400-90751
D 06	17	30	HK-0346400-0B				
D 06	22	6	RO-1082401-00	A 07	22	6	RO-0982401-00
				A 07	22	7	229-32156
D 06	22	8	110-24106	A 07	22	14	229-32206
				A 07	22	11	229-32453
D 06	22	15	110-24205	A 07	22	16	229-32305

HOW TO MAKE USE OF THIS PARTS LIST

1.Explanation of codes

1)"*"mark.....means this part is changed from the previous parts book.

As to the details of the change, refer to the "List for information of change".

2)"#01".....refer to "Note" explanation at bottom of page.

2.Codes on the "Qty" column

- Each numeral indicates the number of parts required.
- "0.1" and "2.5" indicate the length (in meters) of the respective parts.

3.Parentheses mean that the corresponding part is a subpart that constructs an assembly part.

4.Dotted lines on the Figures indicate assembly parts.

1."注記"欄の記号説明

1) "*"印.....前回のパーツブックに比較して今回変更された部品を意味します。

変更内容は、"変更情報リスト"を参照してください。

2) "#01".....ページ下の"注記"の説明を参照してください。

2.数量欄の数字は、個数を表し、0.1、2.5等の数値は、長さ（単位メートル）を表します。

3.数量欄の（ ）は、組部品を構成している子部品であることを意味します。

4.イラストページの-----枠は、組構成であることを意味します。

NUMERICAL INDEX OF PARTS

PART NO	PAGE	REF NO.	PART NO	PAGE	REF NO.	PART NO	PAGE	REF NO.
11000619	2	19	11091907	18	21	11210705	24	50
11001609	4	52	11100500	28	49	11210754	24	49
11002409	8	20	11101300	34	17	11210804	24	48
11004207	10	26	11101508	34	18	11210903	24	64
11004306	10	25	11102308	34	12	11211000	22	44
11008000	8	45	11141207	10	47	11211109	28	58
11008059	8	43	11141355	12	48	11214004	22	43
11008109	8	26	11141413	40	30	11214103	22	22
11010303	18	20	11141454	40	26	11214152	22	21
11014156	20	55	11141900	40	31	11214202	24	69
11015906	10	38	11200201	2	38	11214301	22	20
11017357	8	2	11200300	2	41	11214400	22	29
11021300	38	16	11200409	2	42	11214509	22	40
11023017	40	2	11200607	2	15	11214608	22	28
11023702	40	20	11200805	2	43	11214756	22	31
11023751	40	19	11202009	8	3	11214806	22	36
11023801	40	21	11202116	8	15	11214905	22	37
11024015	40	8	11202207	8	25	11215019	22	34
11024403	40	25	11202306	8	27	11215118	22	32
11024510	40	12	11204013	16	53	11215258	16	48
11024700	40	3	11204112	14	33	11216009	22	3
11030301	4	94	11204161	14	30	11216157	22	1
11035003	10	3	11204211	14	31	11216306	24	65
11038650	10	41	11204302	14	34	11216405	22	12
11038759	10	43	11204401	14	40	11216504	22	11
11038809	10	32	11204559	14	23	11216603	22	5
11040052	30	5	11204609	14	24	11216652	22	4
11040201	30	7	11205002	14	27	11216702	22	25
11040854	30	45	11205218	14	5	11216801	14	39
11040953	30	44	11205309	14	12	11216801	22	7
11042207	32	50	11205408	14	13	11217114	14	45
11042959	30	21	11205507	16	69	11217213	14	44
11043007	32	60	11206000	18	16	11217353	14	29
11043205	32	52	11206208	18	4	11217601	14	41
11043304	32	57	11206307	18	6	11220001	16	57
11043403	32	54	11206406	18	8	11220100	14	17
11043908	32	53	11206463	18	2	11220209	4	70
11043957	32	49	11210002	24	54	11220308	16	56
11044054	32	64	11210051	24	52	11221504	38	32
11046000	16	66	11210119	22	14	11221603	38	12
11047057	40	1	11210200	22	16	11221652	38	7
11047107	40	4	11210325	24	58	11221702	38	11
11071453	8	34	11210408	24	61	11221801	38	10
11071909	18	13	11210507	24	60	11221900	38	14
11091204	18	22	11210614	24	63	11222007	38	5

NUMERICAL INDEX OF PARTS

PART NO	PAGE	REF NO.	PART NO	PAGE	REF NO.	PART NO	PAGE	REF NO.
11222908	42	3	11274206	26	42	22910350	20	53
11225356	8	36	11274313	26	18	22910806	18	34
11226016	10	11	11274552	26	2	22910905	18	30
11226107	10	4	11274602	26	5	22910905	24	57
11230117	16	52	11274701	26	1	22911002	20	50
11230562	16	61	11274800	26	37	22911002	24	55
11230802	14	15	11274859	26	34	22911101	18	17
11231503	38	35	11275005	14	43	22911101	22	18
11232055	30	1	11275351	2	30	22911804	18	10
11232105	30	3	11275450	2	33	22912000	18	12
11233053	36	18	11275609	2	11	22912109	18	11
11233202	36	15	11275757	2	8	22912901	20	49
11233251	36	24	11275807	2	7	22913008	18	44
11233301	36	7	11275906	2	2	22915003	18	19
11233400	36	4	11276102	4	84	22915201	18	47
11233657	36	13	11278306	42	8	22915359	20	59
11234150	36	12	11280252	2	47	22916001	10	31
11234408	36	6	11280369	2	34	22916308	10	34
11234507	36	16	11280401	28	51	22916555	10	37
11234606	36	8	11280609	42	2	22917058	10	35
11240108	10	46	11280708	42	4	22917157	10	29
11255809	2	14	11281458	26	20	22918064	8	5
11256252	8	30	11281557	26	26	22918072	8	4
11257359	4	62	11281656	2	1	22918106	8	7
11257607	34	11	11281755	4	87	22918304	8	6
11257755	34	1	11331402	2	46	22918403	8	9~12
11258001	36	2	11415205	4	86	22918502	8	9~12
11258159	36	1	22900401	2	18	22918601	8	9~12
11271004	14	10	22900609	2	25	22918700	8	9~12
11271053	14	6	22900757	2	40	22919203	8	29
11271103	14	35	22901003	4	54	22920409	16	55
11271202	14	36	22901250	4	50	22920508	4	60
11271301	14	21	22901409	10	1	22920805	10	8
11272051	28	50	22901805	2	23	22921001	4	61
11272408	26	45	22904155	8	23	22921209	4	68
11272507	26	47	22905004	10	24	22921308	4	63
11272614	26	46	22906101	10	2	22921407	4	64
11272952	26	16	22906200	10	9	22921506	4	67
11273000	26	17	22906457	10	5	22921605	4	69
11273158	26	13	22906606	8	8	22921704	4	65
11273307	26	12	22907802	14	2	22921803	4	66
11273406	18	9	22908156	14	9	22923015	38	23
11273505	26	11	22908305	14	8	22923056	38	19
11274008	28	57	22908552	14	4	22923205	38	29
11274156	26	43	22908909	14	16	22923312	38	20

NUMERICAL INDEX OF PARTS

PART NO	PAGE	REF NO.	PART NO	PAGE	REF NO.	PART NO	PAGE	REF NO.
22923403	38	27	22941306	18	25	40089548	24	71
22923502	38	25	22942601	10	40	40090058	10	7
22923601	38	26	22944508	16	60	40090751	34	29
22923700	38	24	22944607	16	63	40093417	18	32
22923809	38	28	22945414	4	76	40093432	4	81
22923908	38	22	22945463	4	75	40095789	8	13
22924609	38	31	22945505	4	79	40105231	8	21
22924906	38	17	22945604	4	77	40107992	34	25
22925002	38	18	22945703	4	80	40108027	34	23
22927305	42	22	22945802	4	78	40116677	6	97
22927354	42	10	22947006	38	1	B1109450B0B	4	56
22927404	42	23	22947907	30	6	B1110012000	4	51
22927602	42	24	22948301	30	35	B1114012000	2	27
22928105	42	20	22948400	30	37	B1191490000	4	57
22928303	42	19	22949002	30	43	B1211980000	28	52
22928402	42	18	22949101	30	40	B1213552000A	8	40
22928501	42	12	22949200	30	41	B1215552000	8	42
22928709	42	26	22949309	30	38	B1226552000	8	28
22928808	42	16	22949408	30	29	B1242980000	28	54
22928907	42	14	22949754	30	24	B13050120A0	10	15
22929004	42	15	22949762	30	23	B13061550A0	10	17
22930309	44	14	22950000	30	26	B13061550B0	10	14
22930358	44	1	22950109	30	31	B13061550C0	10	13
22930408	44	10	22950208	30	14	B13071550A0	10	20
22930507	44	9	22950257	30	13	B13071550B0	10	19
22930556	44	15	22950356	30	15	B13081550A0	10	22
22930705	44	7	22950703	30	25	B1505227000A	14	25
22930804	44	17	22950851	30	19	B1521555000	14	1
22930903	44	16	22954101	34	4	B1524491BB0	14	46
22931000	44	3	22954200	34	5	B1609804B00	22	2
22931109	44	4	22954309	34	6	B1613450A00	18	26
22931307	44	11	22954606	34	2	B1641490000	28	53
22931406	44	8	22954705	2	17	B1644490000	28	55
22931703	40	34	22962500	34	20	B1808552000	10	39
22932156	40	7	22962609	34	22	B3016450000A	22	41
22932206	40	14	22962708	30	11	B3026490B00	22	38
22932305	40	16	22962807	16	64	B3118552C00	4	74
22932453	40	11	40010395	18	29	B3404122000	38	8
22932909	10	42	40032986	26	9	B3419122000	40	24
22935407	4	55	40034156	26	7	B3431552000A	40	23
22937965	8	37	40062684	44	2	B3536122000	38	9
22940654	18	39	40078218	22	15	B412352200B	24	67
22940753	18	24	40080424	18	15	BT0600402EA	38	3
22940803	18	37	40087245	30	30	CM300200001	4	93
22940951	18	33	40089548	18	31	CM301300001	6	95

NUMERICAL INDEX OF PARTS

PART NO	PAGE	REF NO.	PART NO	PAGE	REF NO.	PART NO	PAGE	REF NO.
CQ252000000	38	15	MDB100B1400	12	49	SD0460703TP	30	2
CS064061ASP	14	19	MDP500B1400	10	45	SD0490261SP	42	21
CS120101BSH	22	45	NM6040000SN	32	56	SD0500095TH	30	4
CS147121ASH	18	57	NM6040001SD	24	68	SD0550212TP	2	12
CS147121ASH	20	57	NM6050001SE	44	13	SD0550212TP	36	9
D2104490D00	36	11	NM6060001SE	40	18	SD0600322SD	16	70
D2406555D0H	30	10	NM6160511SE	44	18	SD0600361SP	32	62
D2464555B00	34	31	NS6110420SP	34	34	SD0630275SP	30	18
D2468555B00	34	28	NS6120310SP	22	24	SD0640321SP	26	6
D2611555B00A	26	38	NS6150430SP	30	33	SD0640451TP	22	8
E8760452G00	26	31	NS6620310SP	16	59	SD0640631TP	32	48
E8760452H00	2	3	NS6620310SP	22	62	SD0641451SP	30	17
E8760452M00	26	22	NS6620310SP	24	62	SD0700451TP	34	16
GAK300010B0	40	32	NS6660410SH	32	58	SD0700711TP	34	21
GAK30004000	40	33	NS6660430SP	32	59	SD0720331SP	14	18
GAK30005000	40	29	NS6680410SP	20	52	SD0870401SP	26	15
HA000590000	36	19	RC0150001KP	18	38	SD1000801SH	20	48
HA001900000	34	13	RC0260415KP	16	51	SE4301041SR	38	30
HD000570000	26	36	RC0330415KP	22	35	SK3412000SC	42	28
HK011610030	26	29	RC1850001KP	8	22	SL4030621SS	36	3
HK011640000	26	32	RE0300000K0	36	17	SL4030641SE	36	23
HK034610020	2	6	RE0400000K0	14	54	SL4030851SF	38	21
HK034610040	26	27	RE0400000K0	16	54	SL4031081SF	26	35
HK034610060	26	23	RE0400000K0	30	39	SL4051001MZ	8	39
HK034610140	30	46	RE0400000K0	34	30	SM4031501SC	34	8
HK034620020	4	88	RE0400000K0	40	27	SM4040655SP	34	3
HK034630000	4	89	RE0500000K0	14	14	SM4041655SP	34	7
HK03464000B	2	92	RE0500000K0	18	28	SM4051405SE	44	12
HK03464000B	4	92	RE0500000K0	30	51	SM6061610SC	44	21
HK03464000B	26	28	RE0500000K0	32	51	SM8063012TR	40	10
HK03464000B	32	65	RE0500000KP	34	19	SM9061203SE	40	22
HK03464000B	34	10	RE0600000K0	30	34	SM9061853SR	40	17
HK03464000B	36	22	RE0700000K0	22	10	SM9062053SR	40	13
HM001020000	26	21	RE0900000K0	36	14	SQ1150501SD	38	6
HW000880030	26	30	RE1000000K0	40	15	SS1120710SP	2	44
HW200390000	36	20	RE1200000K0	34	26	SS2060210SP	30	8
HW500070000	4	91	RO029180100	8	41	SS2090810SP	14	38
HW500070000	34	9	RO037180100	14	3	SS2110915SP	4	58
HW500070000	36	21	RO044240100	8	18	SS4080620TP	14	32
HX000430000	8	38	RO069180100	2	32	SS4080620TP	18	27
M40071100AA	8	35	RO069180100	28	56	SS4080620TP	30	9
MAT81126T00	2	90	RO092270200	18	14	SS4090815SP	24	59
MAT81126T00	4	90	RO098240100	40	6	SS4110515SP	16	68
MC200500750	10	44	RO133170100	4	72	SS4110515SP	18	23
MDB100B1100	10	12	RO195240100	38	2	SS4110515SP	42	13

NUMERICAL INDEX OF PARTS

PART NO	PAGE	REF NO.	PART NO	PAGE	REF NO.	PART NO	PAGE	REF NO.
SS4110615SP	26	41	SS6121220TP	18	5	SS8151550SP	8	33
SS4110715SP	30	28	SS6121220TP	22	66	SS8660410SP	22	46
SS4110915TP	10	33	SS6121220TP	24	66	SS8660530TP	24	53
SS4110915TP	26	19	SS6121250TP	22	6	SS8660610TP	8	24
SS4120615SP	2	96	SS6121250TP	28	59	SS8660610TP	18	58
SS4120615SP	4	96	SS6121610SP	20	54	SS8660610TP	20	58
SS4120615SP	6	96	SS6121840SP	28	48	SS8660810TP	10	23
SS4120615SP	16	67	SS6121860SP	20	61	SS8681650TP	8	16
SS4120615SP	38	13	SS6660610TP	30	20	SS9660910SP	26	44
SS4120915SP	2	85	SS6661110SP	8	44	TA0750404R0	2	35
SS4120915SP	4	85	SS6700710SH	40	5	TA0850604R0	2	28
SS4120915SP	10	28	SS7080510TP	10	10	TA0850604R0	22	27
SS4120915SP	26	10	SS7081310SP	42	11	TA1250406R0	2	49
SS4120915SP	34	15	SS7090410SP	36	10	TA1250406R0	4	49
SS4121015SP	36	26	SS7090610SP	30	42	TA1250705R0	2	29
SS4121415SP	2	37	SS7090620TP	14	20	TA1470702R0	2	21
SS4150715SP	42	1	SS7090910TP	22	70	TA1470704R0	2	20
SS4150915SP	30	47	SS7090910TP	24	70	TA1750502R0	26	33
SS4150915SP	34	32	SS7110350SP	42	17	TA2101002R0	2	82
SS4150915SP	38	38	SS7110570SP	22	19	TA2101002R0	4	82
SS4151215SP	32	63	SS7110710SP	42	5	WP0450000SD	32	55
SS4151215SP	38	33	SS7110740TP	16	65	WP0450801SD	8	32
SS6060210SP	4	53	SS7110740TP	18	42	WP0450826SC	42	27
SS6080340SP	38	4	SS7110740TP	34	24	WP0460556SD	26	25
SS6080410SP	2	39	SS7111120SP	20	60	WP0480856SP	18	41
SS6090510SP	30	16	SS7111810SP	14	37	WP0480856SP	42	9
SS6090620TP	18	51	SS7121410SP	26	14	WP0553216SD	34	14
SS6090620TP	20	51	SS7121410TP	18	40	WP0621016SD	40	28
SS6090630SP	22	13	SS7121610SP	20	56	WP0621016SD	42	6
SS6090650SP	8	19	SS7620750SP	26	60	WP0621016SH	30	32
SS6090670TP	10	6	SS7620750SP	28	60	WP0650816SP	14	26
SS6090670TP	18	7	SS7681650TP	8	14	WP0661016SP	14	28
SS6110420TP	10	30	SS7701010SP	42	7	WP0722316SH	34	33
SS6110480SP	14	22	SS8090410SP	4	71	WP1221016SP	36	5
SS6110610TP	2	45	SS8110410TP	10	36	WP1612616SE	44	19
SS6110610TP	22	39	SS8110422TP	16	50	WP1703001SC	34	27
SS6110710TP	32	61	SS8110510SP	42	25	WS0451040KP	38	36
SS6110710TP	36	25	SS8110520TP	30	22	WS0510002KN	44	5
SS6111010TP	38	34	SS8120410SP	22	26	WS0651310KP	38	37
SS6111040SP	2	9	SS8120740SP	22	56	WS1643202KR	44	20
SS6111210SP	8	31	SS8120740SP	24	56	WT0530002KS	4	83
SS6121010SP	2	31	SS8150410TP	22	30			
SS6121010SP	26	3	SS8150710SP	4	73			
SS6121220TP	14	49	SS8150710TP	18	35			
SS6121220TP	16	49	SS8151150SP	8	1			