

MODEL : DLU-5490N-7 SERIES

List No : 0906-11

# PARTS LIST

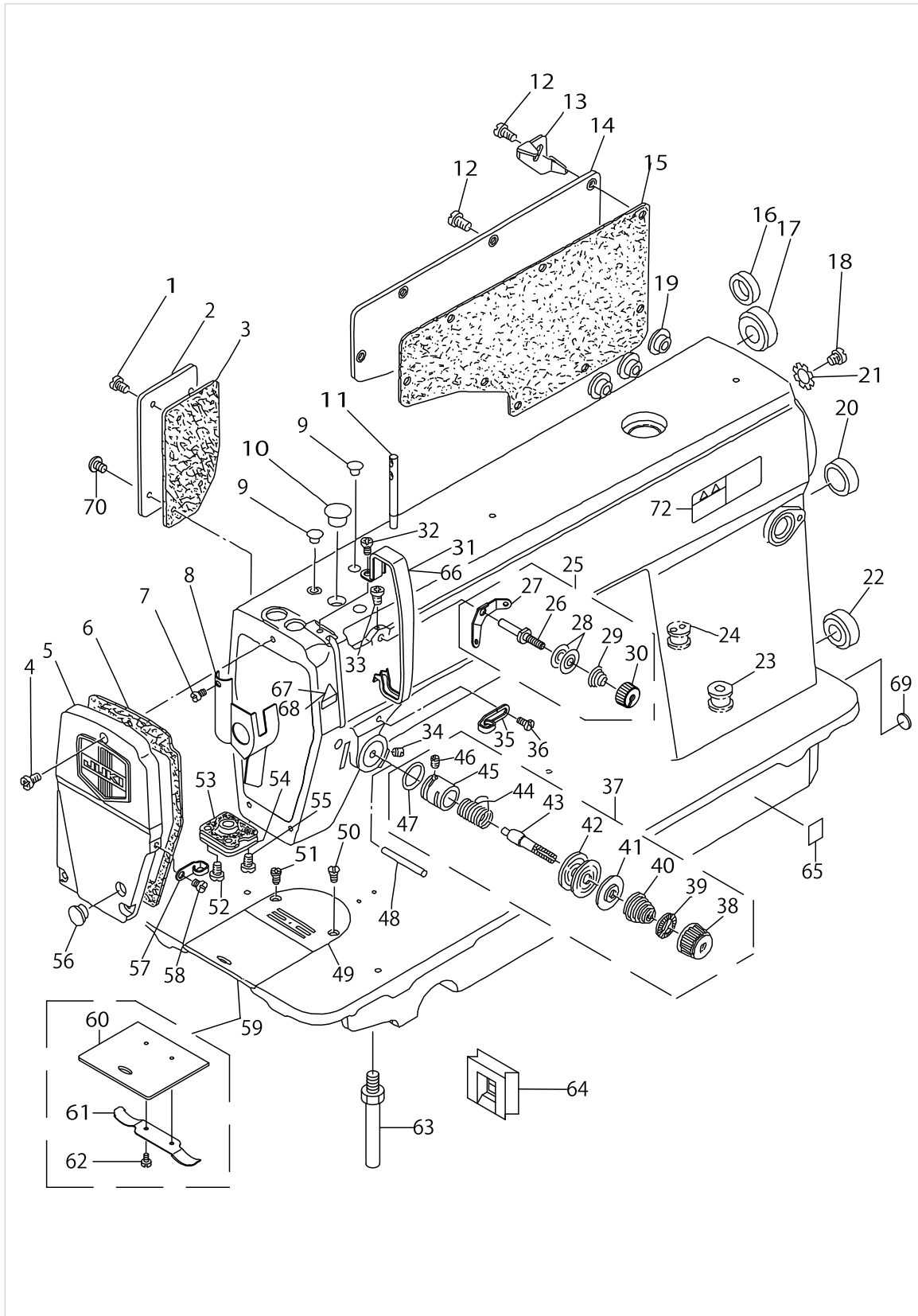
Published:09/10/2017

## CONTENTS

---

MACHINE FRAME & MISCELLANEOUS COVER COMPONENTS .....	1
MAIN SHAFT COMPONENTS .....	5
NEEDLE BAR, UPRIGHT SHAFT & HOOK DRIVING SHAFT COMPONENTS .....	7
HAND LIFTER COMPONENTS .....	11
FEED MECHANISM COMPONENTS.....	15
TOP FEED MECHANISM COMPONENTS (1).....	19
TOP FEED MECHANISM COMPONENTS (2).....	23
THREAD TRIMMER COMPONENTS .....	25
AUTOMATIC REVERSE FEED COMPONENTS.....	29
WIPER COMPONENTS.....	31
OIL LUBRICATION COMPONENTS .....	33
OIL RESERVOIR COMPONENTS .....	35
BELT COVER & BOBBIN WINDER COMPONENTS .....	37
THREAD STAND COMPONENTS.....	39
PF-6:PEDAL/KNEE PRESSER-CONTROLLED GATHERING MECHANISM(SPECIAL ORDER PARTS)	41
EXCLUSIVE PARTS FOR DLU-5490NE-7 .....	45
LIST FOR INFORMATION OF CHANGE (1).....	47
LIST FOR INFORMATION OF CHANGE (2).....	48
HOW TO MAKE USE OF THIS PARTS LIST .....	49

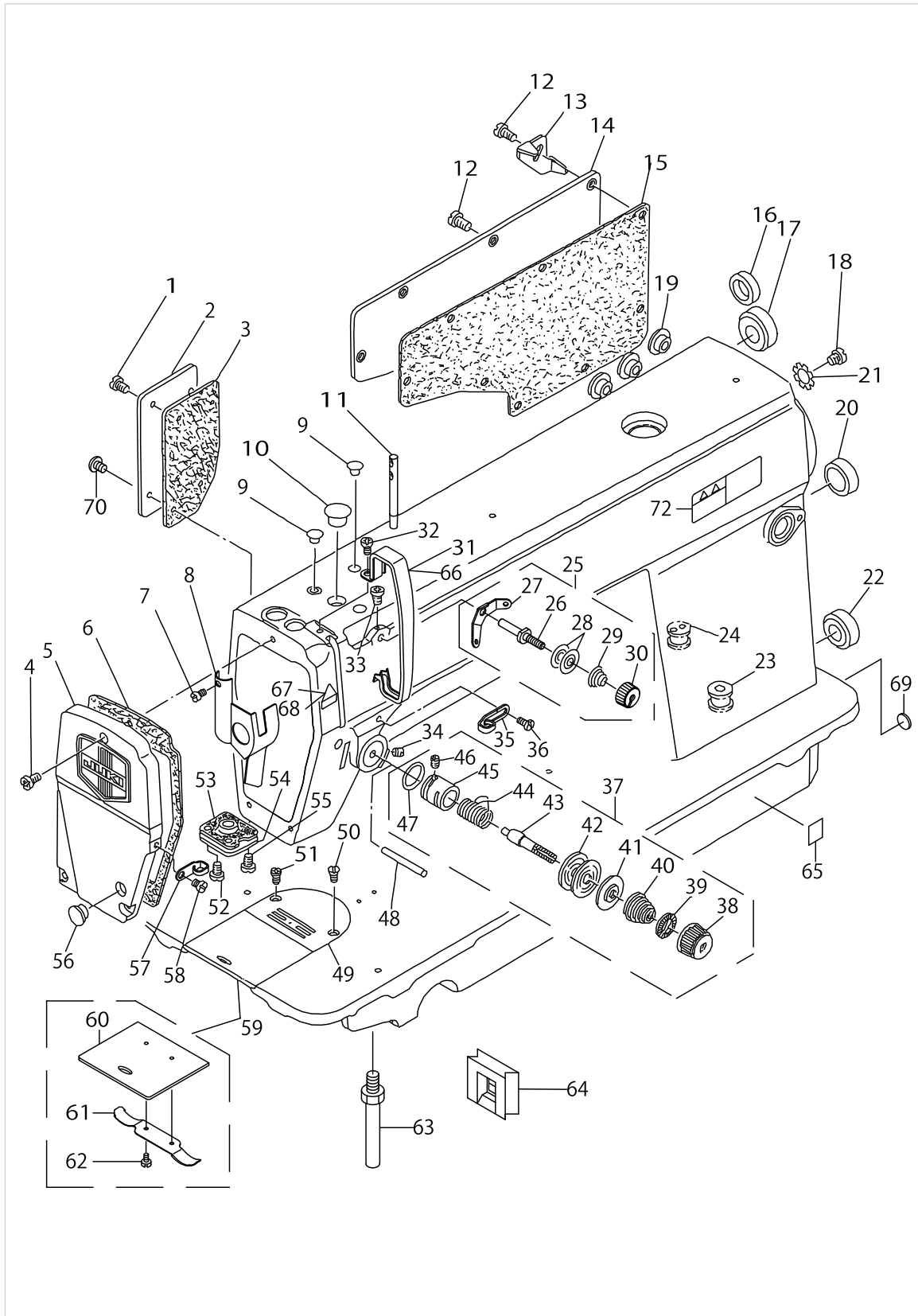
MACHINE FRAME & MISCELLANEOUS COVER COMPONENTS



MACHINE FRAME & MISCELLANEOUS COVER COMPONENTS

No.	Parts No.	Parts name	Remarks	Level	Cons	Qty
1	SS4120915SP	SCREW 3/16-28 L=9				3
2	11255809	SIDE COVER				1
3	11200607	GASKET				1
4	SS4121015SP	SCREW 3/16-28 L=10				3
5	11255650	FACE PLATE ASM.				1
6	11200201	GASKET				1
7	SS6080410SP	SCREW 1/8-44 L=4				1
8	22900757	FACE PLATE OIL SHIELD ASM.				1
9	TA0850604R0	RUBBER PLUG				2
10	TA1250705R0	RUBBER PLUG				1
11	22958300	NEEDLE THREAD GUIDE PIN				1
12	SS4120915SP	SCREW 3/16-28 L=9				8
13	22954705	CORD FIXING METAL FITTING				1
14	22900401	WINDOW PLATE				1
15	11003308	GASKET				1
16	TA1470702R0	RUBBER PLUG				1
17	TA2101002R0	RUBBER PLUG				1
18	SS4120615SP	SCREW 3/16-28 L=6				1
19	TA1470704R0	RUBBER PLUG				3
20	TA2000502R0	RUBBER PLUG				1
21	WT0530002KS	TOOTHED WASHER D=5.3				1
22	TA2101002R0	RUBBER PLUG				1
23	11030202	RUBBER BUSHING	FOR DLU-5490N-7-00			1
24	40111022	MAGNET CORD RUBBER	FOR DLU-5490N-7-0B,-WB			1
25	22945463	THREAD TENSION ASM. NO.1				1
26	22945406	THREAD TENSION POST		*		1
27	22945604	THREAD TENSION GUIDE		*		1
28	22945802	THREAD TENSION DISK		*		2
29	22945505	THREAD TENSION SPRING		*		1
30	22945703	THREAD TENSION NUT		*		1
31	22900609	THREAD TAKE-UP LEVER COVER				1
32	SS4120615SP	SCREW 3/16-28 L=6				1
33	SS4120615SP	SCREW 3/16-28 L=6				1
34	SS8150710TP	SCREW 15/64-28 L=7				1
35	22920508	ARM THREAD GUIDE A				1
36	22921001	SCREW				1
37	11257359	THREAD TENSION ASM.				1
38	22921308	THREAD TENSION NUT		*		1
39	22921407	ROTATION STOPPER		*		1
40	22921704	THREAD TENSION SPRING A		*		1
41	22921803	DISK STOPPER		*		1
42	22921506	THREAD TENSION DISK		*		2
43	22921209	THREAD TENSION POST		*		1
44	22921605	THREAD TAKE-UP SPRING		*		1
45	11220209	TENSION POST SOCKET		*		1
46	SS8090410SP	SCREW 9/64-40 L= 3.5		*		1
47	RO133170100	RUBBER RING		*		1

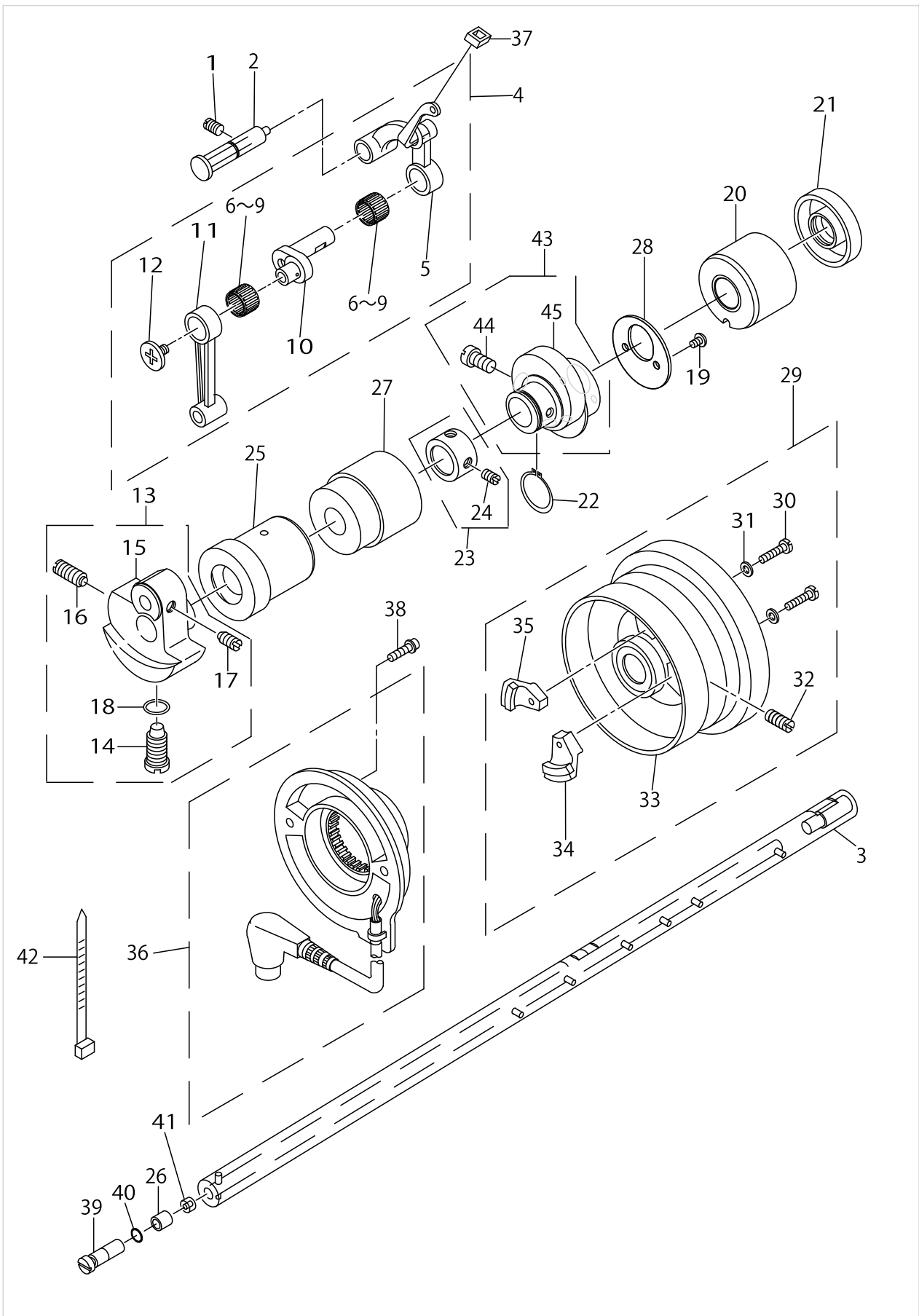
MACHINE FRAME & MISCELLANEOUS COVER COMPONENTS



MACHINE FRAME & MISCELLANEOUS COVER COMPONENTS

No.	Parts No.	Parts name	Remarks	Level	Cons	Qty
48	B3118552C00	TENSION RELEASE PIN C				1
49	B1109450B0B	THROAT PLATE B				1
50	SS2110915SP	SCREW 11/64-40 L=8.5				2
51	B1191490000	SCREW	EXCHANGE PARTS			1
52	SS1120710SP	SCREW 3/16-28 L=6.5				2
53	11200409	GASKET				1
54	11200300	PRESSER BAR SUPPORT				1
55	11200805	PRESSER BAR SUPPORT SCREW B				1
56	TA1250406R0	RUBBER PLUG D=12.5 L=4				1
57	22920607	ARM THREAD GUIDE B				1
58	SS6110610TP	SCREW 11/64-40 L=6				1
59	22901250	SLIDE PLATE ASM.				1
60	22901201	SLIDE PLATE		*		1
61	22901300	SLIDE PLATE SPRING		*		1
62	SS6060210SP	SCREW 3/32-56 L= 1.9		*		2
63	22901003	BED SCREW STUD				4
64	22935407	RUBBER PLATE				1
65	40116677	GOST_SAFTY_LABEL_S	FOR JE			1
66	11415205	THREAD TAKE-UP LEVER COVER(JE)	FOR JE			1
67	CM300200001	ATTENTION SEAL				1
68	CM301300001	SAFETY LABEL				1
69	22901805	GROUND MARK				1
70	SS4120615SP	SCREW 3/16-28 L=6				1

MAIN SHAFT COMPONENTS

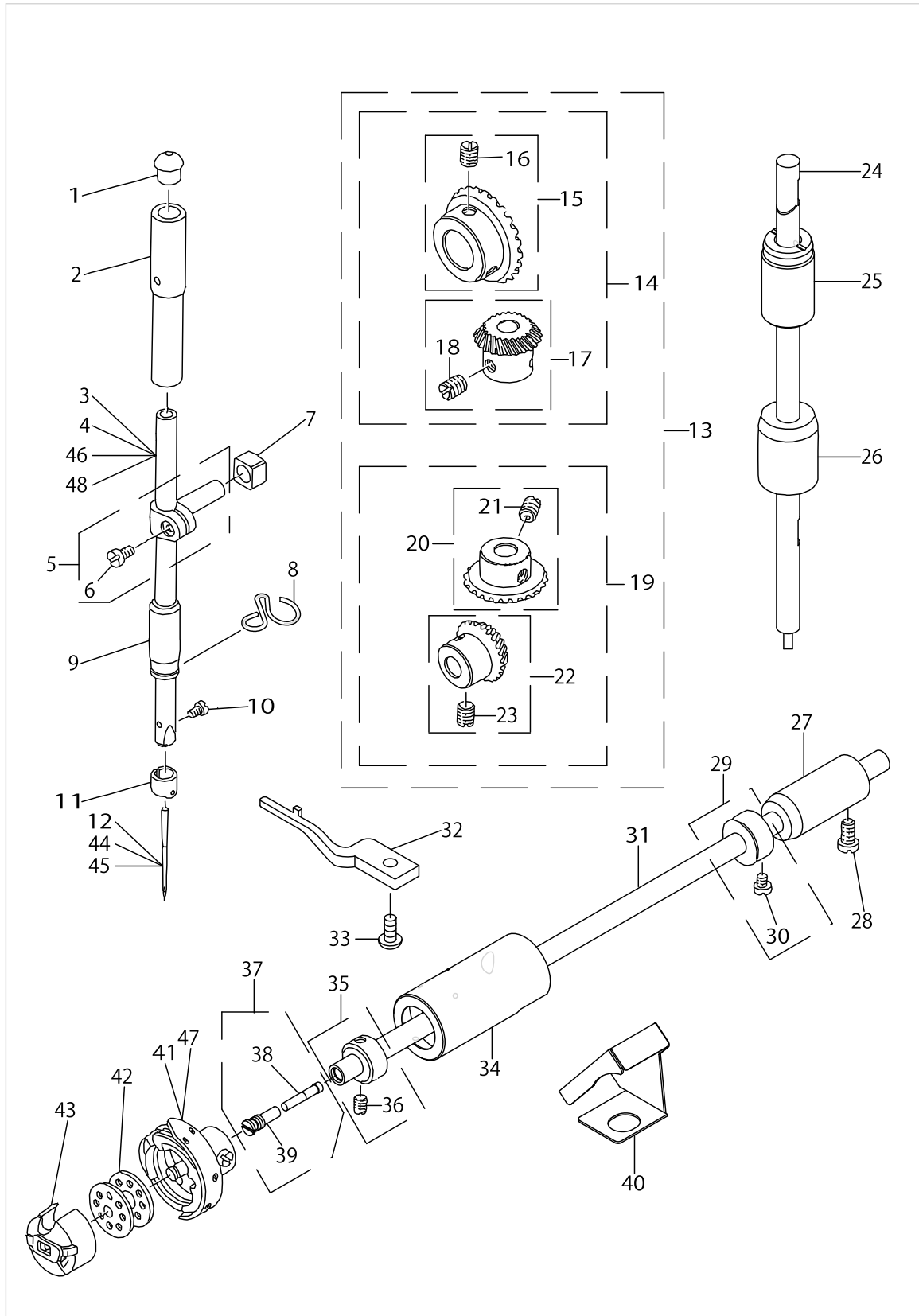


MAIN SHAFT COMPONENTS

No.	Parts No.	Parts name	Remarks	Level	Cons	Qty
1	SS8151150TP	SCREW 15/64-28 L=10.5				1
2	11017357	THREAD TAKE-UP CRANK SHAFT ASM.				1
3	11202009	MAIN SHAFT				1
4	22918072	THREAD TAKE-UP LEVER COMPL.				1
5	22918064	THREAD TAKE-UP LEVER ASM.		*		1
6	22918403	NEEDLE BEARING A	SELECTIVE PARTS	*		2
7	22918502	NEEDLE BEARING B	SELECTIVE PARTS	*		2
8	22918601	NEEDLE BEARING C	SELECTIVE PARTS	*		2
9	22918700	NEEDLE BEARING D	SELECTIVE PARTS	*		2
10	22918106	NEEDLE BAR CRANK		*		1
11	22906606	NEEDLE BAR CRANK ROD		*		1
12	22918304	LEFT SCREW		*		1
13	40095789	COUNTER WEIGHT_LU ASM.				1
14	SS7681650TP	SCREW 9/32-28 L=16		*		1
15	11202116	COUNTERWEIGHT		*		1
16	SS8681650TP	SCREW 9/32-28 L=16		*		1
17	SS8660610TP	SCREW 1/4-40 L=6		*		2
18	RO044240100	RUBBER RING		*		1
19	SS4090615SP	SCREW 9/64-40 L=6				2
20	11002409	MAIN SHAFT BUSHING REAR				1
21	40105231	OIL SEAL				1
22	RC1850001KP	SNAP RING 18.5				1
23	22904155	MAIN SHAFT THRUST COLLAR ASM.				1
24	SS8660610TP	SCREW 1/4-40 L=6		*		2
25	11202207	MAIN SHAFT BUSHING FRONT				1
26	B1215552000	OIL ADJUSTING COLLAR				1
27	11202306	BUSHING INTERMEDIATE				1
28	22910103	THRUST COLLAR				1
29	11256252	HAND WHEEL ASM.				1
30	SS6111210SP	SCREW 11/64-40 L=12		*		2
31	WP0450801SD	WASHER 4.5X10X0.8		*		2
32	SS8151550SP	SCREW 15/64-28 L=15		*		2
33	11071453	HAND WHEEL ASM.		*		1
34	M40071100AA	MAGNET FITTING BASE A ASM.		*		1
35	11225356	MAGNET BASE ASM.		*		1
36	22937965	DYNAMO STATOR				1
37	22919203	OIL PROTECTING RUBBER				1
38	SL4051001MZ	SCREW M5 L=9.6				2
39	B1213552000A	OIL ADJUSTING PIN				1
40	RO029180100	RUBBER RING				1
41	B1226552000	ROLLER FELT				1
42	HX000430000	CLIP				1
43	22910053	FEED DRIVE ECCENTRIC CAM ASM.				1
44	SS6661110SP	SCREW 1/4-40 L=11		*		2
45	22910004	FEED DRIVE ECCENTRIC CAM		*		1



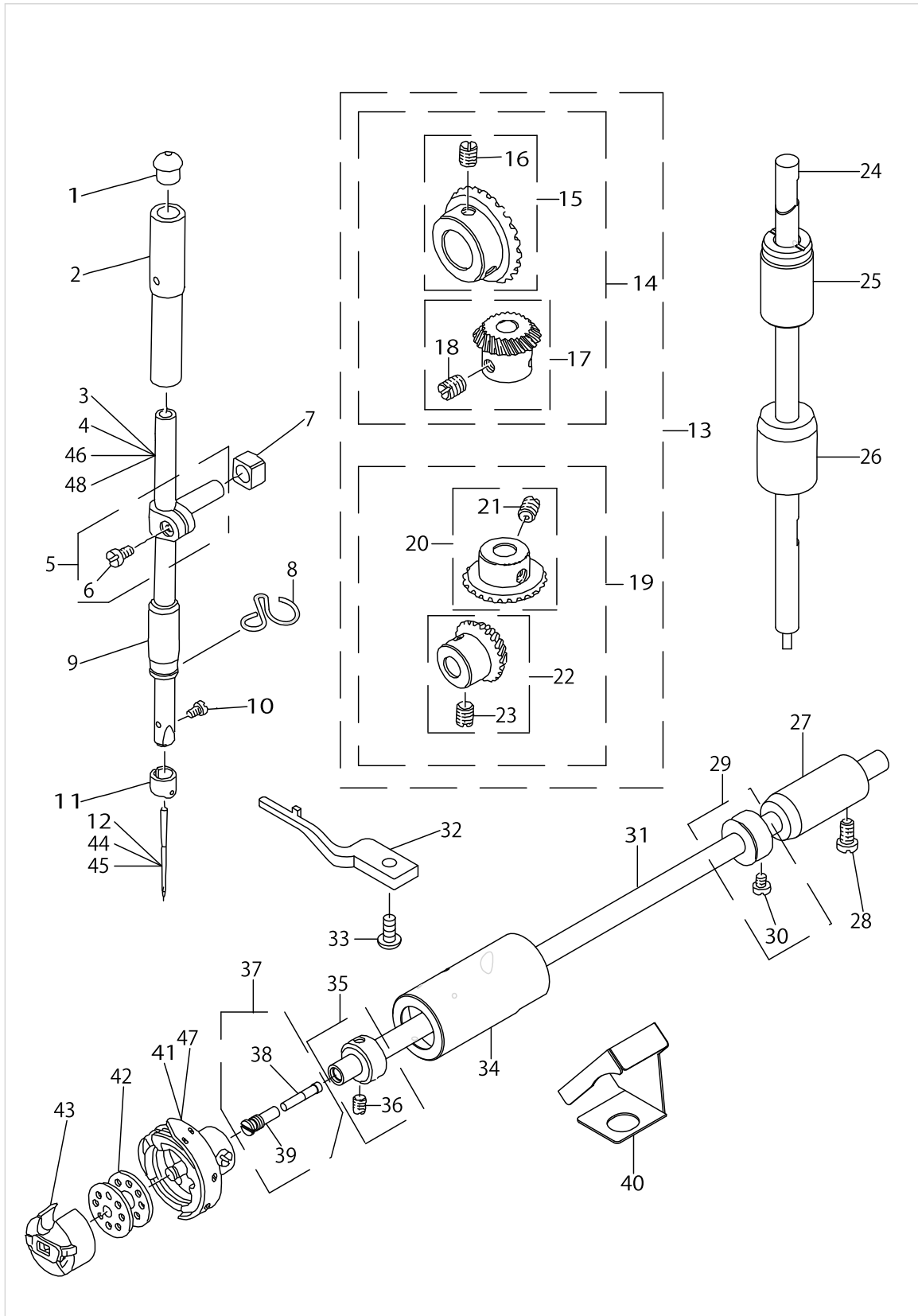
NEEDLE BAR, UPRIGHT SHAFT & HOOK DRIVING SHAFT COMPONENTS



NEEDLE BAR, UPRIGHT SHAFT & HOOK DRIVING SHAFT COMPONENTS

No.	Parts No.	Parts name	Remarks	Level	Cons	Qty
1	22901409	NEEDLE BAR UPPER BUSH CAP				1
2	22906101	NEEDLE BAR BUSHING UPPER				1
3	11035003	NEEDLE BAR				1
4	11226107	NEEDLE BAR	FOR DLU-5490N-7-WB			1
5	22906457	NEEDLE BAR HOLDER ASM.				1
6	SS6090670TP	SCREW 9/64-40 L=6		*		1
7	40090058	SLIDE BLOCK				1
8	22920805	NEEDLE BAR THREAD GUIDE				1
9	22906200	NEEDLE BAR BUSHING LOWER				1
10	SS7080510TP	SCREW 1/8-44 L=4.5				1
11	11226016	NEEDLE BAR THREAD GUIDE				1
12	MDB100B1400	NEEDLE DBX1 #14				1
13	B13061550C0	GEAR & PINION ASM.				1
14	B13061550B0	GEAR & PINION ASM. UPPER		*		1
15	B13050120A0	GEAR ASM.		*		1
16	SS8660810TP	SCREW 1/4-40 L=8		*		2
17	B13061550A0	PINION ASM.		*		1
18	SS8660810TP	SCREW 1/4-40 L=8		*		2
19	B13071550B0	GEAR & PINION ASM. LOWER		*		1
20	B13071550A0	GEAR ASM. LARGE		*		1
21	SS8660810TP	SCREW 1/4-40 L=8		*		2
22	B13081550A0	PINION ASM.		*		1
23	SS8660810TP	SCREW 1/4-40 L=8		*		2
24	22905004	UPRIGHT SHAFT				1
25	11203106	BUSHING UPPER				1
26	11004207	UPRIGHT SHAFT BUSHING LOWER				1
27	22916308	HOOK DRIVING SHAFT BUSH REAR				1
28	SS4120915SP	SCREW 3/16-28 L=9				1
29	22917157	THRUST COLLAR ASM. REAR				1
30	SS6110420TP	SCREW 11/64-40 L=4.8		*		2
31	22916001	HOOK DRIVING SHAFT				1
32	11038809	BOBBIN CASE HOLDER				1
33	SS4110915TP	SCREW 11/64-40 L=9				1
34	22916100	HOOK DRIVING SHAFT BUSH FRONT				1
35	22917058	THRUST COLLAR ASM. FRONT				1
36	SS8110410TP	SCREW 11/64-40 L= 3.5		*		2
37	22916555	OIL SEAL SCREW ASM.				1
38	11015906	OIL WICK		*		1
39	22916506	SET SCREW		*		1
40	22942601	OIL SHIELD				1
41	11038650	HOOK ASM.	FOR USE IN JAPAN			1
42	22932909	BOBBIN				1
43	11038759	BOBBIN CASE ASM.				1
44	MC200500750	NEEDLE 134 NM75	FOR JE			1
45	MDB100B1100	NEEDLE DBX1 #11	FOR USE IN JAPAN			1
46	11240108	NEEDLE BAR	FOR DLU-5490N-7-WB(JE)			1
47	11141355	HOOK ASM.				1

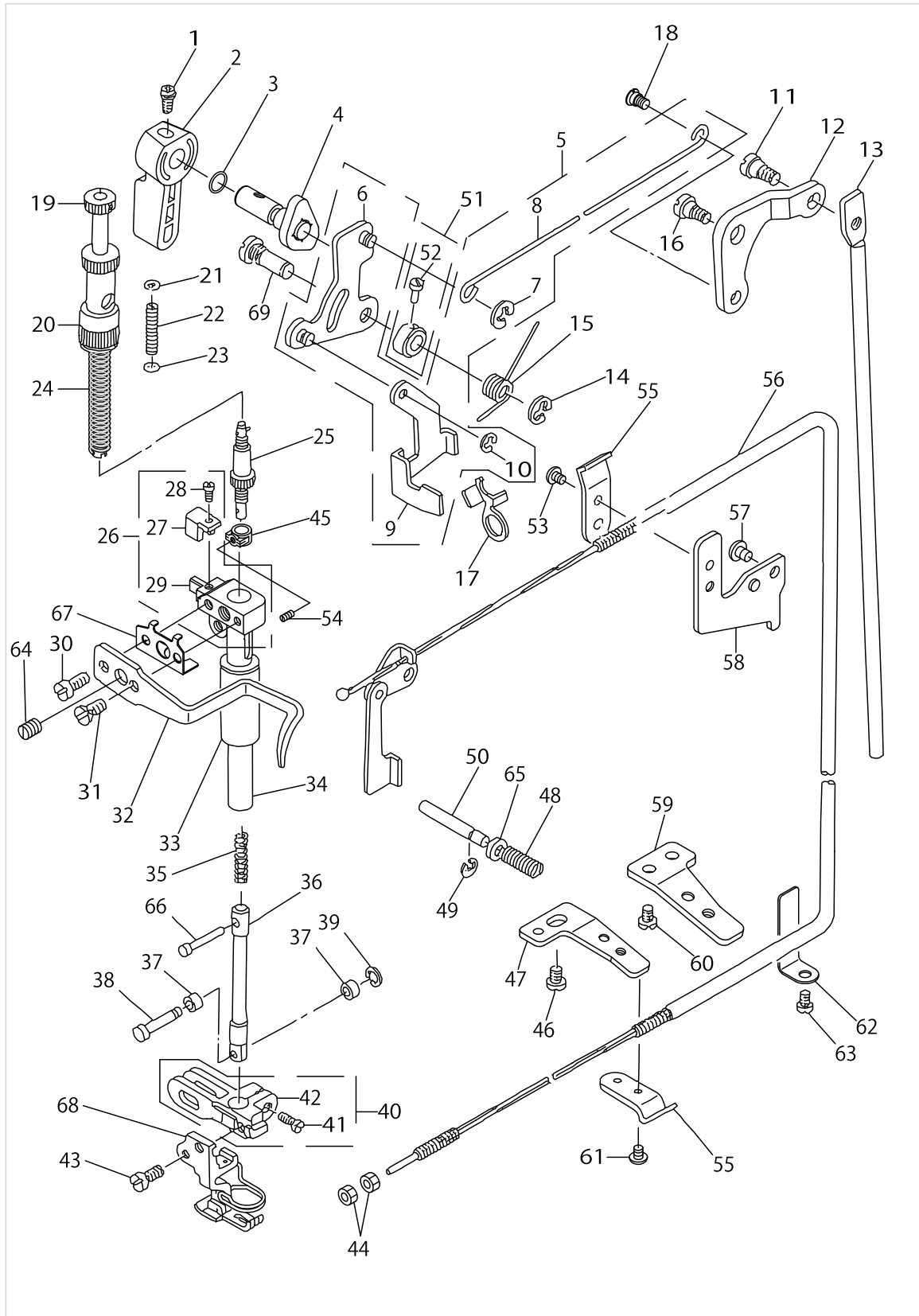
NEEDLE BAR, UPRIGHT SHAFT & HOOK DRIVING SHAFT COMPONENTS



NEEDLE BAR, UPRIGHT SHAFT & HOOK DRIVING SHAFT COMPONENTS

No.	Parts No.	Parts name	Remarks	Level	Cons	Qty
48	11141207	NEEDLE BAR	FOR JE			1

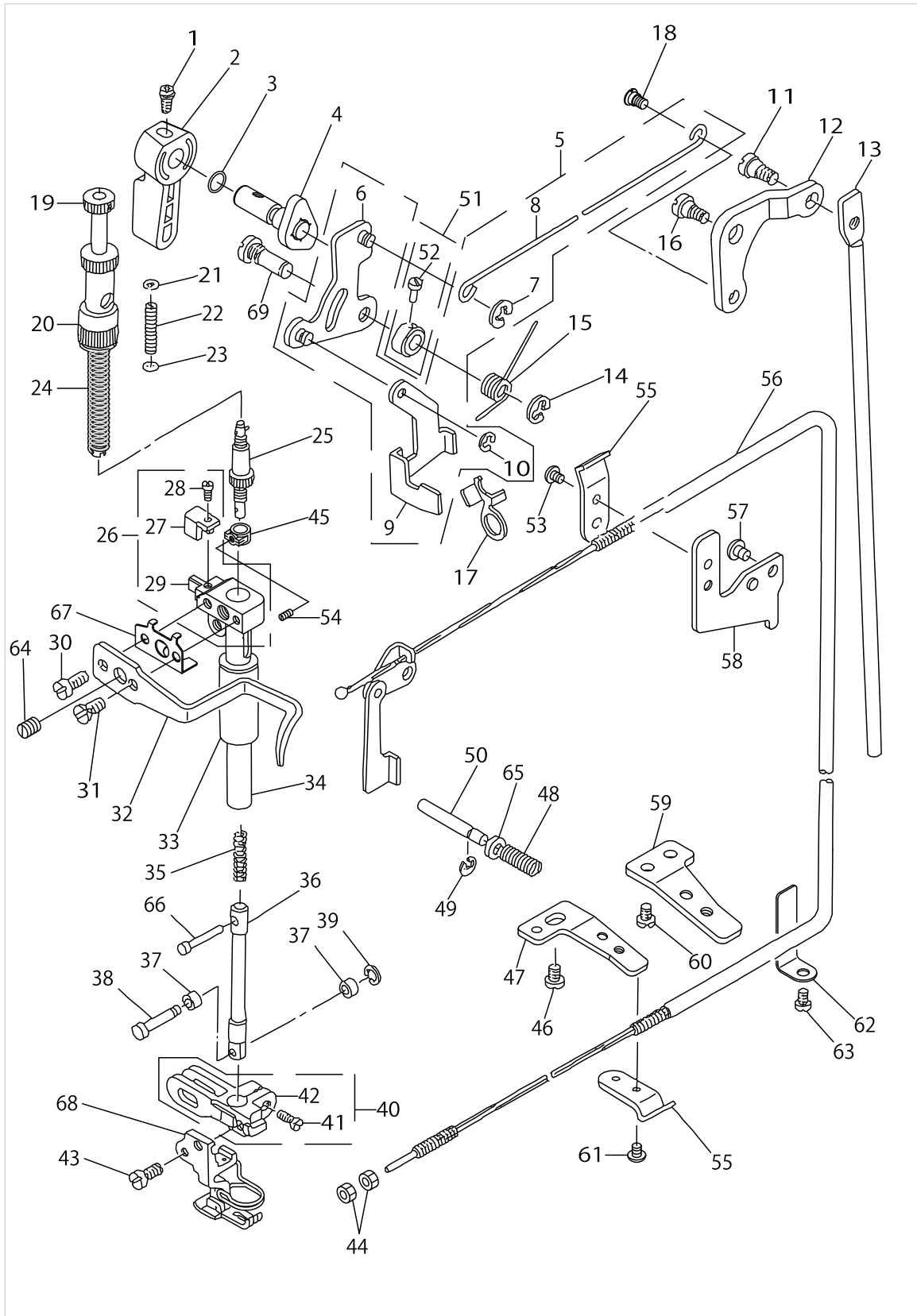
# HAND LIFTER COMPONENTS



HAND LIFTER COMPONENTS

No.	Parts No.	Parts name	Remarks	Level	Cons	Qty
1	B1521555000	SCREW				1
2	22907802	HAND LIFTER				1
3	RO037180100	RUBBER RING				1
4	22908552	HAND LIFTER CAM ASM.				1
5	11205150	KNEE LIFTER SIDE ROD ASM.				1
6	22908156	LIFTING LINK ASM.		*		1
7	RE0500000K0	E-RING		*		1
8	22908305	KNEE LIFTER SIDE ROD		*		1
9	11205101	LIFTING LEVER		*		1
10	RE0500000K0	E-RING		*		1
11	SD0600322SD	HINGE SCREW D=6 H=3.2				1
12	11205309	LIFTING LEVER LINK				1
13	11205408	CONNECTING ROD				1
14	RE0500000K0	E-RING				1
15	11230802	SPRING				1
16	SD0720331SP	HINGE SCREW D= 7.24 H= 3.3				1
17	11220100	TENSION RELEASE PLATE				1
18	22908909	HINGE SCREW				1
19	11204559	PRESSER SPRING REGULATOR ASM.				1
20	11204609	NUT				1
21	WP0650816SP	WASHER				1
22	11205002	GUIDE BAR SPRING				1
23	WP0661016SP	WASHER				1
24	22907406	PRESSER SPRING				1
25	11217353	CAP ASM.				1
26	11204161	PRESSER ROD HOLDER ASM.				1
27	11204211	BRACKET GUIDE		*		1
28	SS4080620TP	SCREW 1/8-44 L=6		*		1
29	11204112	PRESSER BAR GUIDE BRACKET		*		1
30	SS7110910TP	SCREW 11/64-40 L= 8.5				1
31	SS6090910SP	SCREW 9/64-40 L=9				1
32	22907307	THREAD GUIDE				1
33	11204401	BUSHING				1
34	11204013	PRESSER BAR				1
35	11217601	WALKING FOOT SPRING				1
36	11230117	DRIVING BAR				1
37	11217213	ROLLER				2
38	11217114	ROLLER SHAFT				1
39	RC0260415KP	SNAP RING				1
40	11215258	PRESSER BAR BASE ASM.				1
41	SS6121220TP	SCREW 3/16-28 L=11.5		*		1
42	11215209	PRESSER BAR BASE		*		1
43	SS6121220TP	SCREW 3/16-28 L=11.5				1
44	NS6620310SP	NUT 3/16-32				2
45	11205507	PRESSER ROD STOPPER				1
46	SS4150915SP	SCREW 15/64-28 L=9	FOR DLU-5490N-7-00			1
47	22944706	WIRE PRESSER BASE LOWER	FOR DLU-5490N-7-00			1

HAND LIFTER COMPONENTS

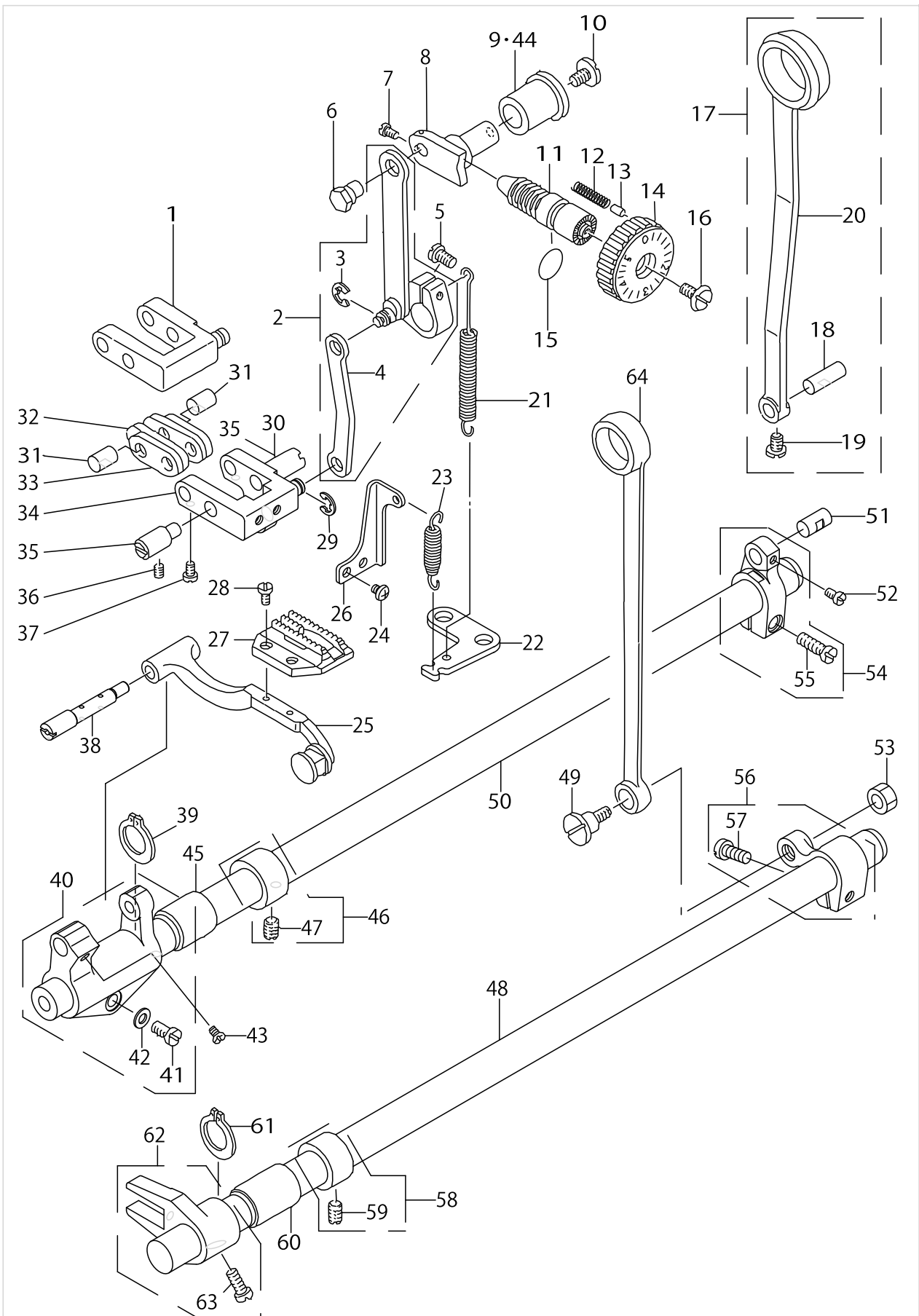


HAND LIFTER COMPONENTS

No.	Parts No.	Parts name	Remarks	Level	Cons	Qty
48	22920409	THREAD RELEASE PIN SPRING				1
49	RE0400000K0	E-RING 4				1
50	11220001	PIN				1
51	CS064061ASP	THRUST COLLAR ASM.				1
52	SS7090620TP	SCREW 9/64-40 L=6.1		*		1
53	SS4110515SP	SCREW 11/64-40 L=5				1
54	SS8110422TP	SCREW 11/64-40 L=4				1
55	22944508	WIRE PRESSER A				2
56	11230562	WIRE TUBE				1
57	SS4120615SP	SCREW 3/16-28 L=6				1
58	22944607	WIRE PRESSER BASE UPPER				1
59	22962807	WIRE PRESSER BASE LOWER B	FOR DLU-5490N-7-0B,-WB			1
60	SS7110740TP	SCREW 11/64-40 L=7	FOR DLU-5490N-7-0B,-WB			1
61	SS4110515SP	SCREW 11/64-40 L=5				1
62	22945109	WIRE CABLE SUPPORT				1
63	SS4120615SP	SCREW 3/16-28 L=6				1
64	SS8660610TP	SCREW 1/4-40 L=6				1
65	11220308	THRUST WASHER				1
66	11216918	DRIVING BAR PIN				1
67	11204302	BRACKET PLATE				1
68	B1524491BB0	PRESSER FOOT ASM. B				1
69	11205218	LIFTING LEVER LINK SHAFT				1



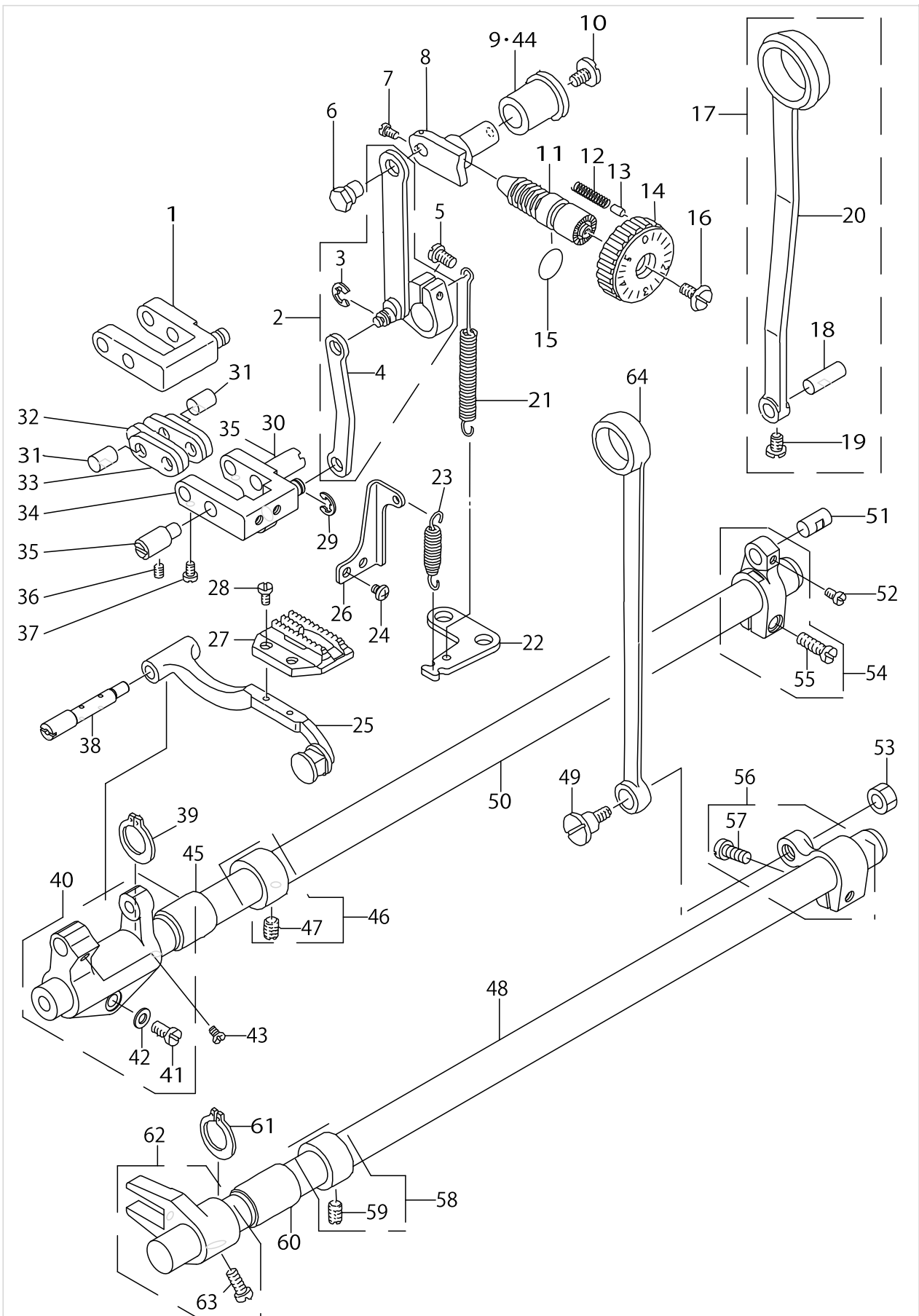
FEED MECHANISM COMPONENTS



FEED MECHANISM COMPONENTS

No.	Parts No.	Parts name	Remarks	Level	Cons	Qty
1	22910459	FEED ADJUSTING LINK ASM.	FOR DLU-5490N-7-00			1
2	11206463	FEED CHANGING ARM ASM.				1
3	RE0500000K0	E-RING		*		1
4	11206208	CONNECTING ROD B		*		1
5	SS6121220TP	SCREW 3/16-28 L=11.5				1
6	11206307	FEED REGULATOR PIN				1
7	SS6090670TP	SCREW 9/64-40 L=6				2
8	11206406	FEED REGULATOR				1
9	11009800	FEED REGULATOR BUSHING	FOR DLU-5490N-7-0B,-WB			1
10	SS7120770SH	SCREW 3/16-28 L=7				1
11	22911804	FEED REGULATOR SCREW				1
12	22912109	FEED REGULATOR PIN SPRING				1
13	22912000	FEED REGULATOR PIN				1
14	11071909	FEED DIAL				1
15	RO092270200	RUBBER RING				1
16	SS6121860SP	SCREW 3/16-28 L=18				1
17	40080424	CONNECTING ROD ASM.				1
18	22911101	WALKING FOOT PIN C		*		1
19	SS6090620TP	SCREW		*		1
20	11206000	CONNECTING ROD		*		1
21	11010303	FEED REVERSE SPRING				1
22	22913701	FEED SPRING HOOK				1
23	11037405	SPRING				1
24	SS4110515SP	SCREW 11/64-40 L=5				2
25	22940753	FEED BAR ASM.				1
26	40071856	ADJUSTING LINK SPRING GUIDE				1
27	B1613450A00	FEED DOG A				1
28	SS4080620TP	SCREW 1/8-44 L=6				2
29	RE0500000K0	E-RING				1
30	40010359	FA8955-M01	FOR DLU-5490N-7-0B,-WB			1
31	22910905	WALKING FOOT PIN A				2
32	40089548	CONNECTING LINK B				2
33	40093417	CONNECTING LINK A				2
34	22940951	FEED ADJUST LINK ASM.	FOR DLU-5490N-7-0B,-WB			1
35	22910806	ADJUST LINK FULCRUM SHAFT A				2
36	SS8150710TP	SCREW 15/64-28 L=7				2
37	SS6090620TP	SCREW				2
38	22940803	FEED BAR SHAFT				1
39	RC0150001KP	RETAINING RING 13.8				1
40	22940654	FEED ROCKER ASM.				1
41	SS7121410TP	SCREW 3/16-28 L=14		*		1
42	WP0480856SP	WASHER 4.8X8.4X0.8		*		1
43	SS7110740TP	SCREW 11/64-40 L=7				1
44	22911705	FEED REGULATOR BUSHING	FOR DLU-5490N-7-00			1
45	11010907	FEED ROCKER SHAFT BUSHING				1
46	22904155	MAIN SHAFT THRUST COLLAR ASM.				1
47	SS8660610TP	SCREW 1/4-40 L=6		*		2

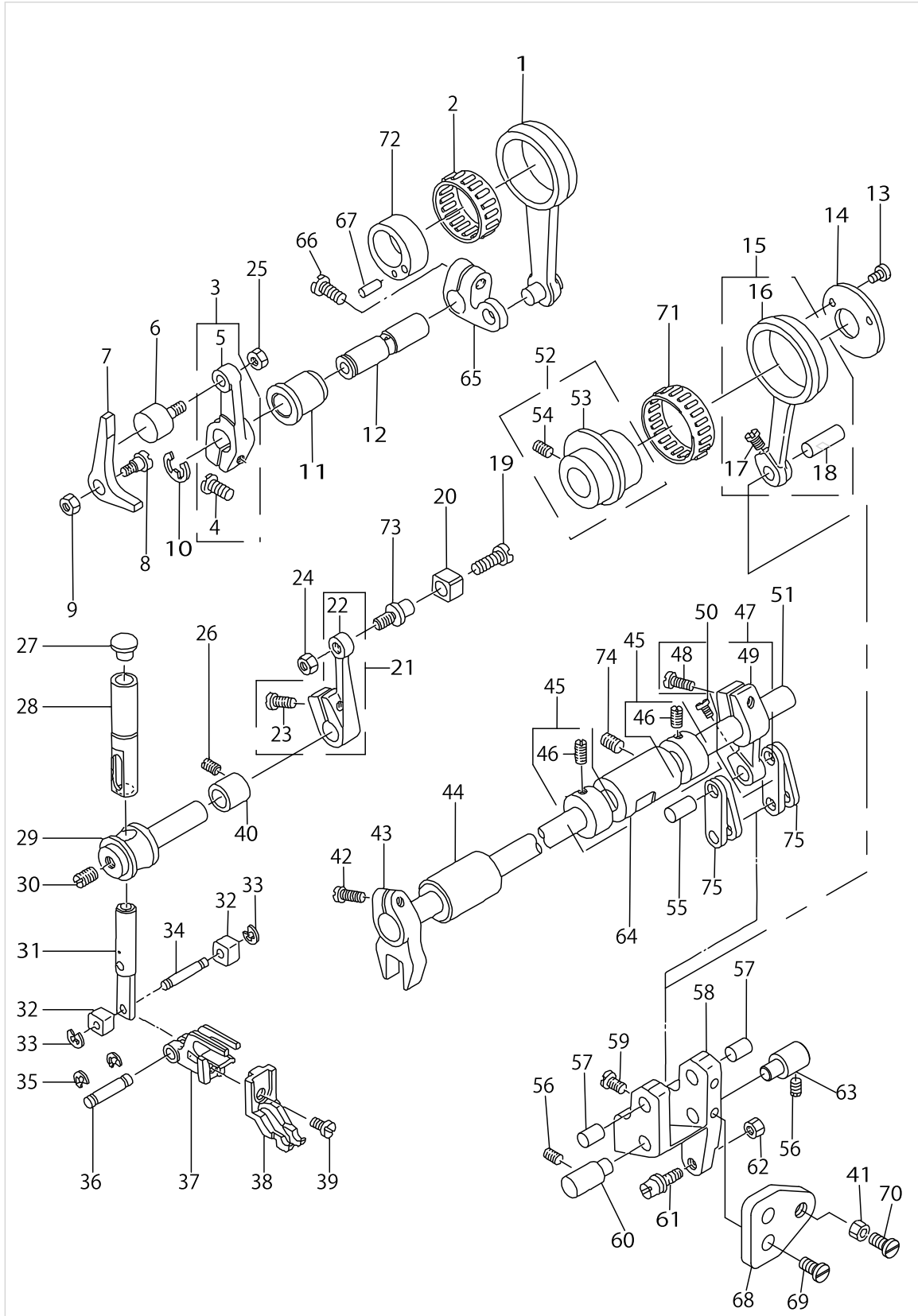
FEED MECHANISM COMPONENTS



FEED MECHANISM COMPONENTS

No.	Parts No.	Parts name	Remarks	Level	Cons	Qty
48	22915201	FEED DRIVING SHAFT				1
49	SD1000801SH	HINGE SCREW D=10 H=8				1
50	22912901	FEED ROCKER SHAFT				1
51	22911002	WALKING FOOT PIN B				1
52	SS6090620TP	SCREW				1
53	NS6680410SP	NUT 9/32-28				1
54	22910350	FEED ROCKER SHAFT CRANK ASM.				1
55	SS6121610SP	SCREW 3/16-28 L=15.5		*		1
56	22915151	FEED ARM COMPL.				1
57	SS7121610SP	SCREW 3/16-28 L=15.5		*		1
58	22904155	MAIN SHAFT THRUST COLLAR ASM.				1
59	SS8660610TP	SCREW 1/4-40 L=6		*		2
60	22913008	FEED ROCKER SHAFT BUSHING				1
61	RC0150001KP	RETAINING RING 13.8				1
62	22915359	DRIVING SHAFT CRANK ASM.				1
63	SS7111120SP	SCREW 11/64-40 L=10.5		*		1
64	22915003	CONNECTING ROD				1

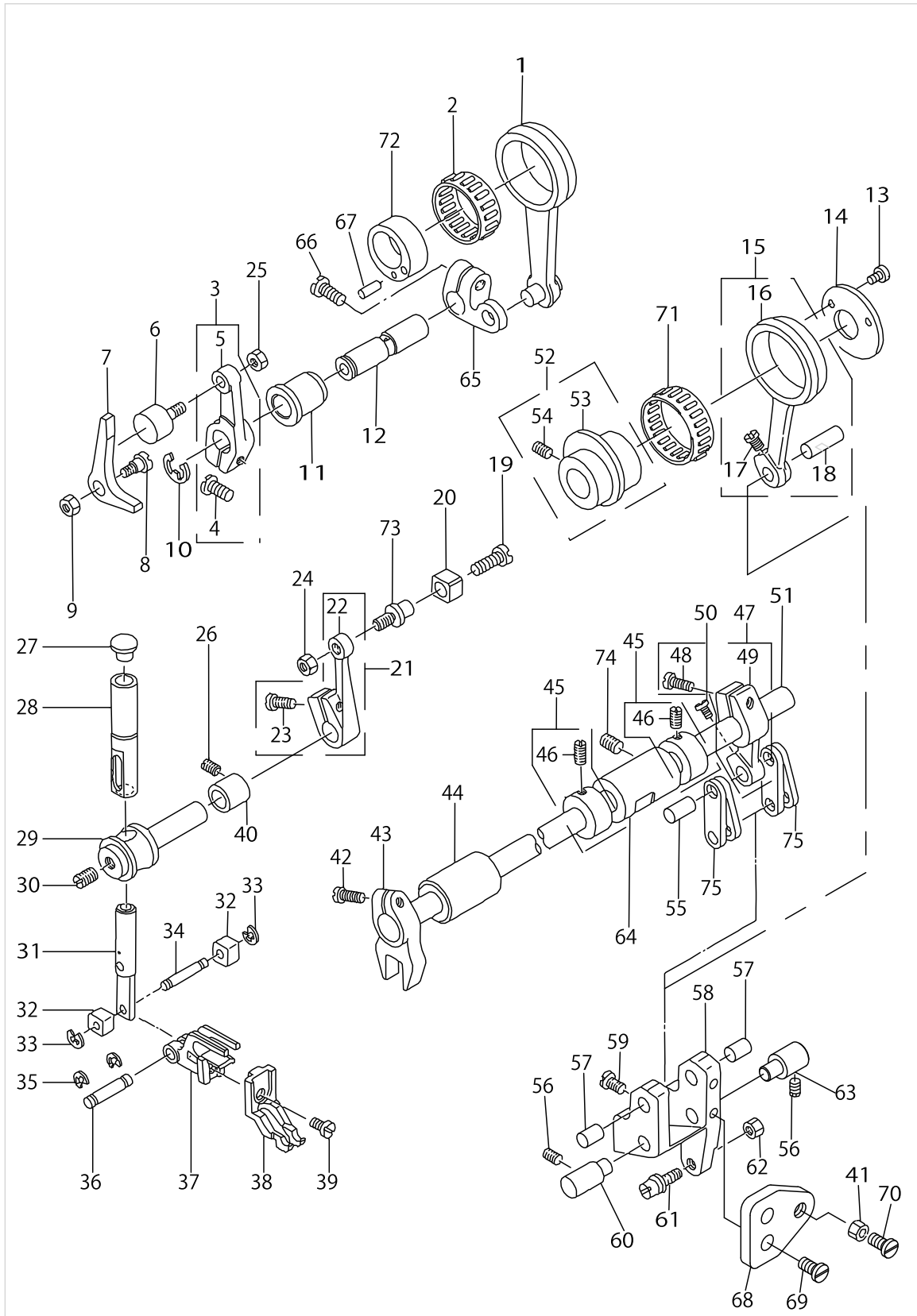
TOP FEED MECHANISM COMPONENTS (1)



TOP FEED MECHANISM COMPONENTS (1)

No.	Parts No.	Parts name	Remarks	Level	Cons	Qty
1	11216157	WALKING FOOT DRIVING ROD ASM.				1
2	B1609804B00	NEEDLE BEARING				1
3	11216652	VERTICAL ARM ASM. FRONT				1
4	SS6121250TP	SCREW 3/16-28 L=11.5		*		1
5	11216603	DRIVING ARM FRONT		*		1
6	11216702	DRIVING ROLLER				1
7	11216801	DRIVING PRESSER ARM				1
8	SD0640451TP	HINGE SCREW D=6.35 H=4.5				1
9	NS6620310SP	NUT 3/16-32				1
10	RE0700000K0	E-RING 7				1
11	11216504	DRIVING SHAFT BUSHING				1
12	11216405	WALKING FOOT DRIVING SHAFT				1
13	SS6090630SP	SCREW 9/64-40 L=6				2
14	11210119	THRUST COLLAR				1
15	40078218	WALKING FOOT DRIVING ROD ASM.				1
16	11210200	WALKING FOOT DRIVING ROD		*		1
17	SS7090910SP	SCREW 9/64-40 L= 8.5		*		1
18	22911101	WALKING FOOT PIN C		*		1
19	SS7110570SP	SCREW 11/64-40 L= 4.8				1
20	11214301	ROLLER				1
21	11214152	LEVEL ARM ASM. (LOWER)				1
22	11214103	FEED ROCKER SHAFT CRANK LOWER		*		1
23	SS6121220TP	SCREW 3/16-28 L=11.5		*		1
24	NS6120310SP	NUT 3/16-28				1
25	NM6040001SD	NUT M4				1
26	SS8120410SP	SCREW 3/16-28 L=3.8				1
27	TA0850604R0	RUBBER PLUG				1
28	11214608	FEED ROCKER BAR BUSHING				1
29	11214400	FEED ROCKER SHAFT				1
30	SS8150410TP	SCREW 15/64-28 L= 4.0				1
31	11214756	HORIZONTAL BAR ASM.				1
32	11215118	ROLLER				2
33	RC0330415KP	SNAP RING				2
34	11215019	ROLLER SHAFT				1
35	RC0330415KP	SNAP RING				2
36	11214806	PIN				1
37	11214905	WALKING FOOT MOUNT				1
38	B3026490B00	WALKING FOOT B				1
39	SS6110610TP	SCREW 11/64-40 L=6				1
40	11214509	BUSHING				1
41	NS6110310SP	NUT 11/64-40				1
42	SS6121220TP	SCREW 3/16-28 L=11.5				1
43	11214004	FEED ROCKER SHAFT CRANK UPPER				1
44	11211000	ROCK SHAFT BUSHING FRONT				1
45	CS120101BSH	THRUST COLLAR ASM.				2
46	SS8660410SP	SCREW 1/4-40 L= 4.2		*		4
47	11210754	WALKING FOOT ARM ASM.				1

TOP FEED MECHANISM COMPONENTS (1)

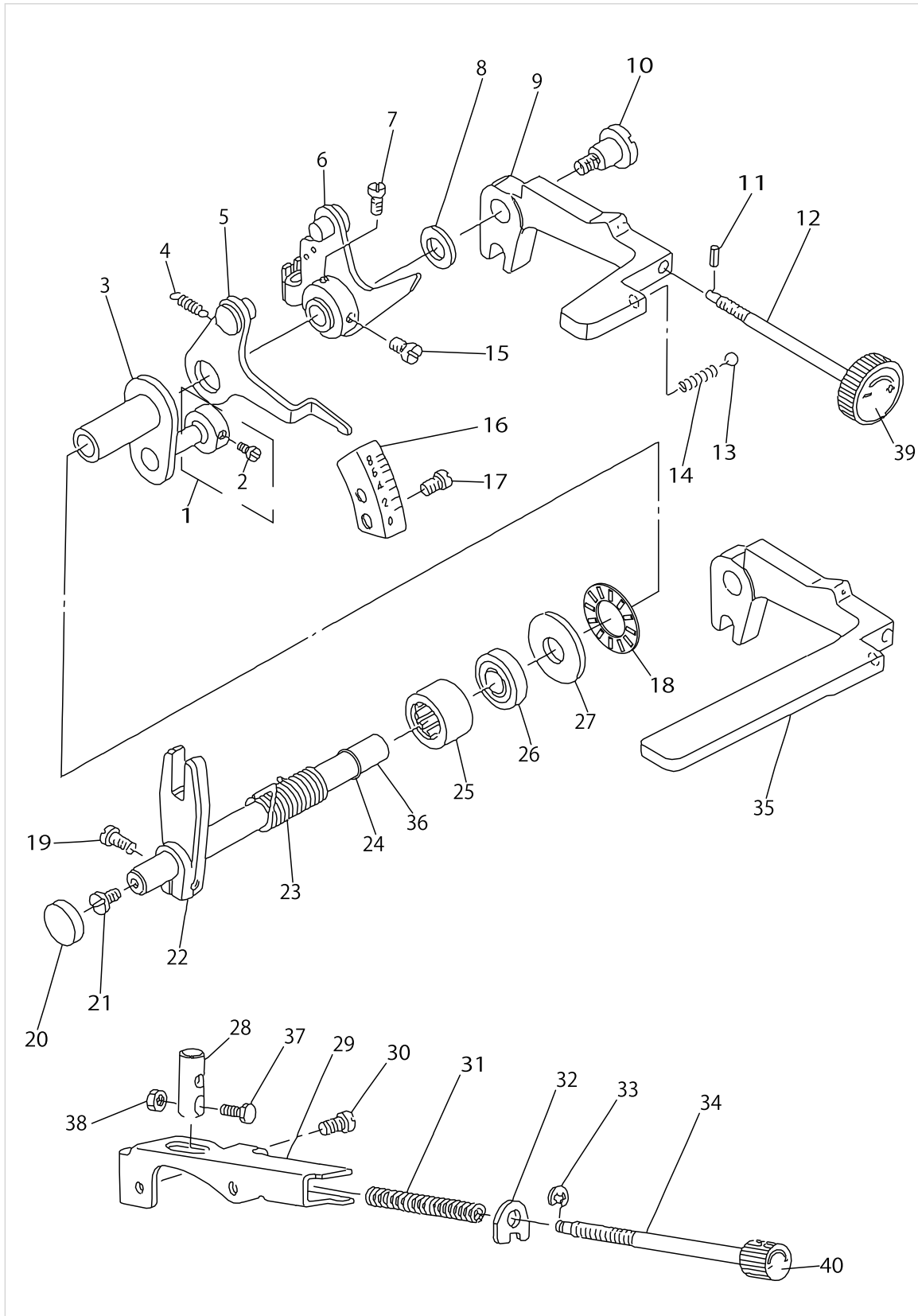


TOP FEED MECHANISM COMPONENTS (1)

No.	Parts No.	Parts name	Remarks	Level	Cons	Qty
48	SS6121220TP	SCREW 3/16-28 L=11.5		*		1
49	11210705	WALKING FOOT ARM		*		1
50	SS7090910TP	SCREW 9/64-40 L= 8.5				1
51	11210804	WALKING FOOT ROCK SHAFT				1
52	11210051	LEVEL CAM ASM.				1
53	11210002	CAM		*		1
54	SS8660530TP	SCREW 1/4-40 L= 4.5		*		2
55	22911002	WALKING FOOT PIN B				1
56	SS8120740SP	SCREW 3/16-28 L=7				2
57	22910905	WALKING FOOT PIN A				2
58	11210325	WALKING FOOT ADJUSTING LINK				1
59	SS4090815SP	SCREW 9/64-40 L=8				2
60	11210507	WALKING FOOT FULCRUM SHAFT A				1
61	11210408	WALKING FOOT ADJUSTING PIN				1
62	NS6620310SP	NUT 3/16-32				1
63	11210614	FULCRUM SHAFT B				1
64	11210903	ROCK SHAFT BUSHING REAR				1
65	11216306	DRIVING ARM REAR				1
66	SS6121220TP	SCREW 3/16-28 L=11.5				1
67	B3016450000A	PIN				1
68	11213311	ADJUSTING LINK STOPPER PLATE				1
69	SS7110910TP	SCREW 11/64-40 L= 8.5				2
70	SS7111410TP	SCREW 11/64-40 L=14				1
71	B412352200B	NEEDLE ROLLAR				1
72	11216009	WALKING FOOT DRIVING CAM				1
73	11214202	WALING FOOT HORIZONTAL LOWER				1
74	SS8120740SP	SCREW 3/16-28 L=7				1
75	11008703	WALKING FOOT LINK				4



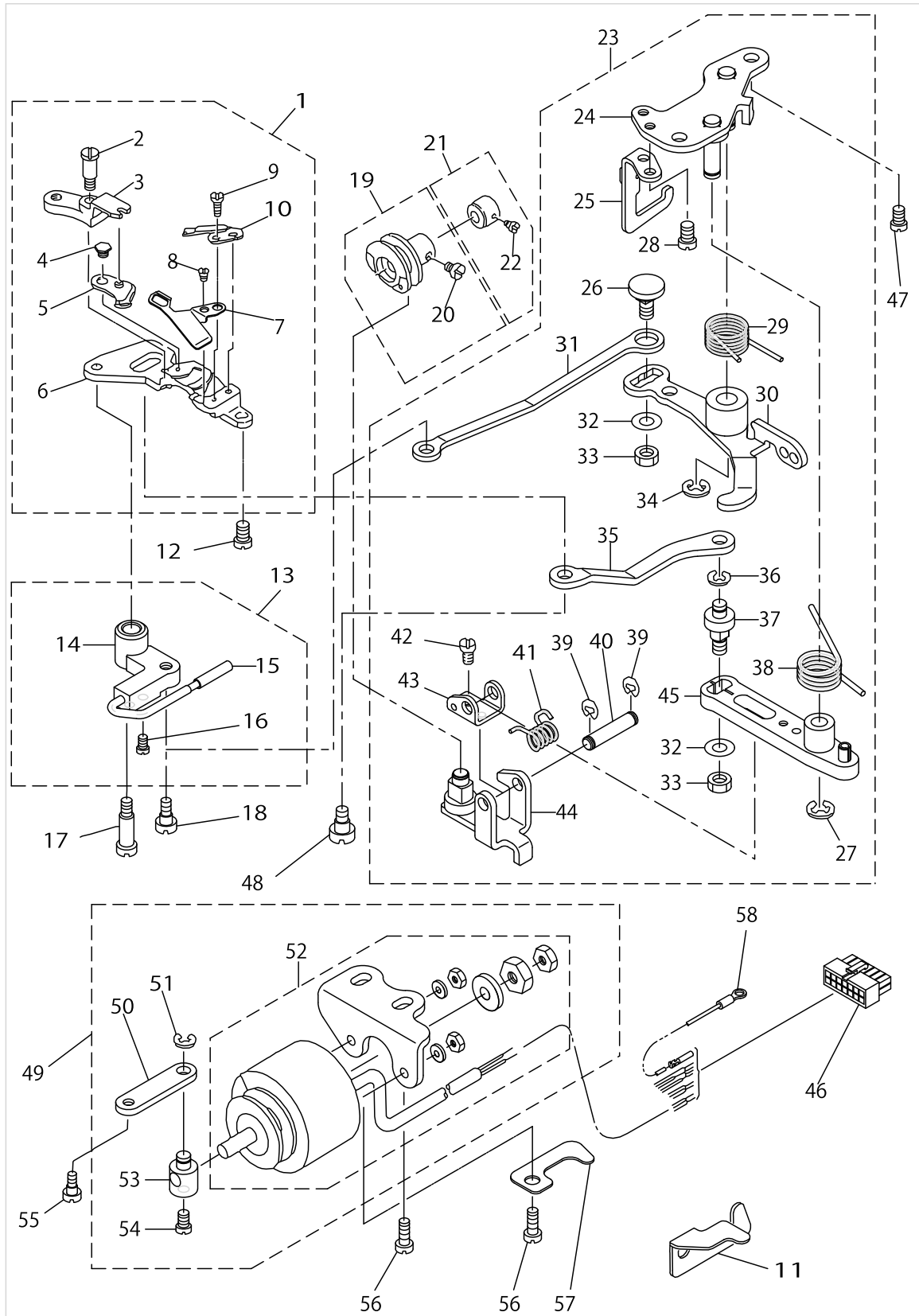
TOP FEED MECHANISM COMPONENTS (2)



TOP FEED MECHANISM COMPONENTS (2)

No.	Parts No.	Parts name	Remarks	Level	Cons	Qty
1	CS070061ASD	THRUST COLLAR ASM.				1
2	SS6090510SP	SCREW 9/64-40 L=5		*		1
3	11206653	REVERSE FEED BUSHING ASM.				1
4	11212909	STOPPER INDICATOR SPRING				1
5	11212156	STOPPER INDICATOR ASM.				1
6	11211455	WALKING FOOT LEVER COLLAR ASM.				1
7	SS6110820TP	SCREW 11/64-40 L=8				1
8	WP0600816SP	WASHER				1
9	11256807	REVERSE FEED CONTROL LEVER	FOR DLU-5490N-7-0B,-WB, DLU-5490N-7-00			1
10	SD1000701TP	HINGE SCREW D=10 H=7				1
11	PS0150065KP	SPRING PIN 1.5X6				1
12	11211851	ADJUSTING SHAFT ASM.				1
13	B3037470000	BALL				1
14	B2920490000	SPRING				1
15	SS6111030TP	SCREW 11/64-40 L=9.7				1
16	11213006	WALKING FOOT GRADUATION PLATE				1
17	SS4120615SP	SCREW 3/16-28 L=6				2
18	B1211980000	UPPER SHAFT THRUST BEARING				1
19	SS6121250TP	SCREW 3/16-28 L=11.5				1
20	TA1750502R0	RUBBER PLUG D=17.5 L=5				1
21	SS7620750SP	SCREW 3/16-32 L= 6.5				1
22	11211109	WALKING FOOT ADJUSTING ARM				1
23	11211307	ADJUSTING LINK SPRING				1
24	RO069180100	RUBBER RING				1
25	B1644490000	NEEDLE BEARING				1
26	B1641490000	OIL SEAL				1
27	B1242980000	THRUST WASHER SMALL				1
28	11212610	STOPPER PIN				1
29	11212206	STOPPER BASE				1
30	SS4120615SP	SCREW 3/16-28 L=6				2
31	11212701	STOPPER SPRING				1
32	11212800	STOPPER WASHER				1
33	RE0320000K0	E-RING 3.2				1
34	11212354	STOPPER SCREW ASM.				1
35	11256708	REVERSE FEED CONTROL LEVER	FOR DLU-5490N-7-00			1
36	11211208	WALKING FOOT LEVER SHAFT				1
37	SS9111113TP	SCREW 11/64-40 L=11				1
38	NS6110310SP	NUT 11/64-40				1
39	11212008	WALKING FOOT DIAL PLATE				1
40	11212503	STOPPER DIAL PLATE				1

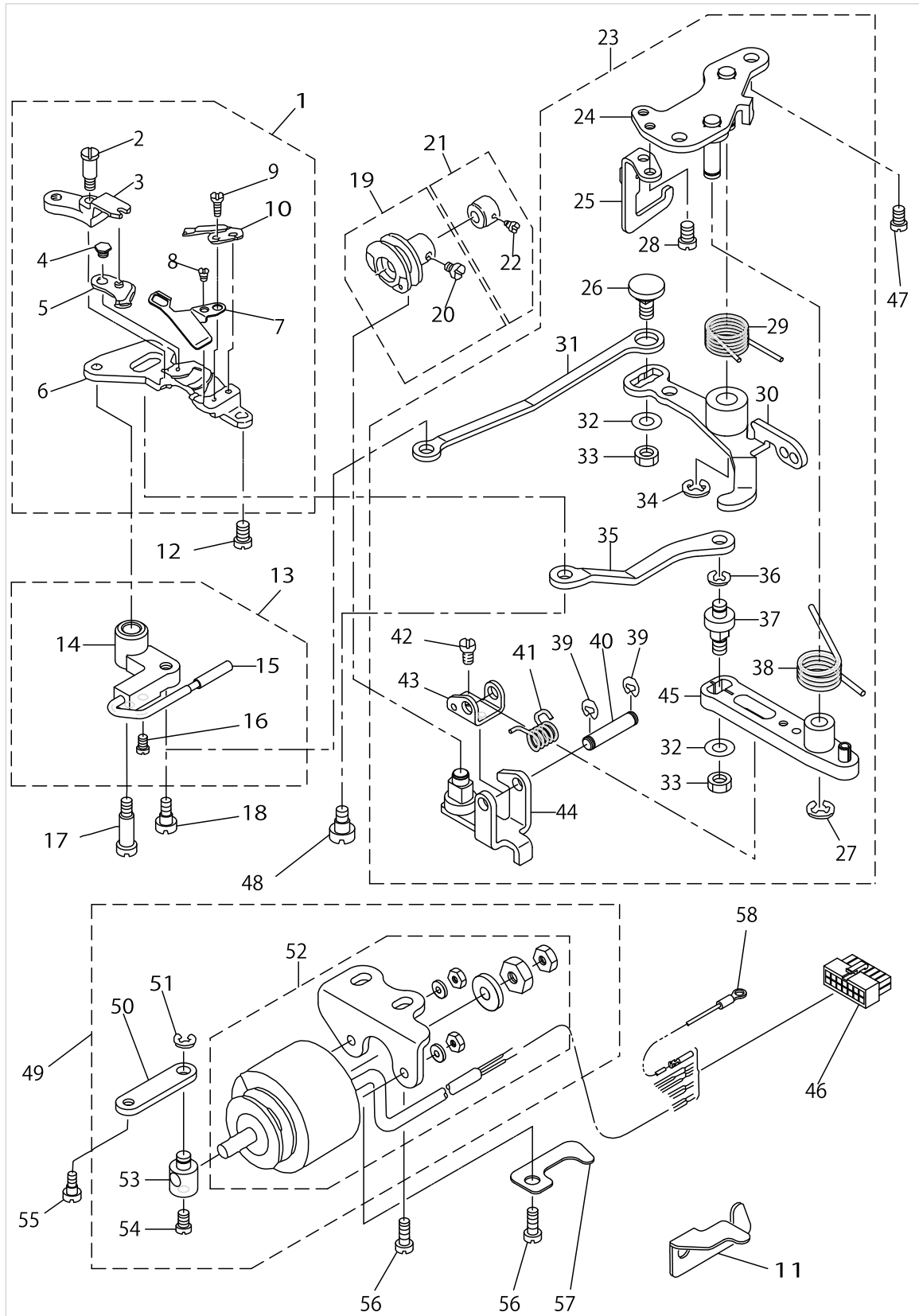
# THREAD TRIMMER COMPONENTS



THREAD TRIMMER COMPONENTS

No.	Parts No.	Parts name	Remarks	Level	Cons	Qty
1	11232055	KNIFE UNIT				1
2	SD0460703TP	HINGE SCREW D=4.6 H=7		*		1
3	11232105	FORKED BASE FOR KNIFE		*		1
4	SD0500095TH	HINGE SCREW D= 5 H= 0.85		*		1
5	11040052	MOVING KNIFE ASM.		*		1
6	22947907	KNIFE MOUNTING BASE		*		1
7	11313103	THREAD GUIDE FOR KNIFE		*		1
8	SS2060210SP	SCREW 3/32-56 L=2.3		*		1
9	SS4080620TP	SCREW 1/8-44 L=6		*		2
10	D2406555D0H	COUNTER KNIFE		*		1
11	22962708	TUBE HOLDER LOWER	FOR DLU-5490N-7-0B,-WB			1
12	SS4110715SP	SCREW 11/64-40 L=7				1
13	22950257	PICKER ARM ASM.				1
14	22950208	PICKER ARM		*		1
15	22950356	HOOK THREAD PRESSER ASM.		*		1
16	SS6090510SP	SCREW 9/64-40 L=5		*		2
17	SD0641451SP	HINGE SCREW D= 6.35 H=14.5				1
18	SD0630275SP	HINGE SCREW D= 6.35 H= 2.7				1
19	22950851	THREAD TRIMMER CAM ASM.				1
20	SS6660610TP	SCREW 1/4-40 L=6		*		2
21	22950950	CAM COLLAR ASM.				1
22	SS8110520TP	SCREW 11/64-40 L= 4.5		*		1
23	22949762	THREAD TRIMMER DRIVING UNIT				1
24	22949754	BASE PLATE ASM.		*		1
25	22950703	DRIVING ARM STOPPER		*		1
26	22950109	PICKER LINK		*		1
27	RE0600000K0	E-RING 6		*		1
28	SS4110715SP	SCREW 11/64-40 L=7		*		2
29	22949408	CLUTCH SPRING		*		1
30	40087245	CLUTCH PLATE ASM.		*		1
31	22950109	PICKER LINK		*		1
32	WP0621016SH	WASHER		*		2
33	NS6150430SP	NUT 15/64-28		*		2
34	RE0600000K0	E-RING 6		*		1
35	22948301	MOVING KNIFE LINK		*		1
36	RE0500000K0	E-RING		*		1
37	22948400	MOVING KNIFE LINK PIN		*		1
38	22949309	KNIFE RETURN SPRING B		*		1
39	RE0400000K0	E-RING 4		*		2
40	22949101	ROLLER FULCRUM SHAFT		*		1
41	22949200	ROLLER RETURN SPRING		*		1
42	SS7090610SP	SCREW 9/64-40 L=6		*		1
43	22949002	ROLLER ARM SEAT		*		1
44	11040953	ROLLER ARM ASM.		*		1
45	11040854	KNIFE DRIVING ARM ASM.		*		1
46	HK034610140	HOUSING 14P				1
47	SS4150915SP	SCREW 15/64-28 L=9				2

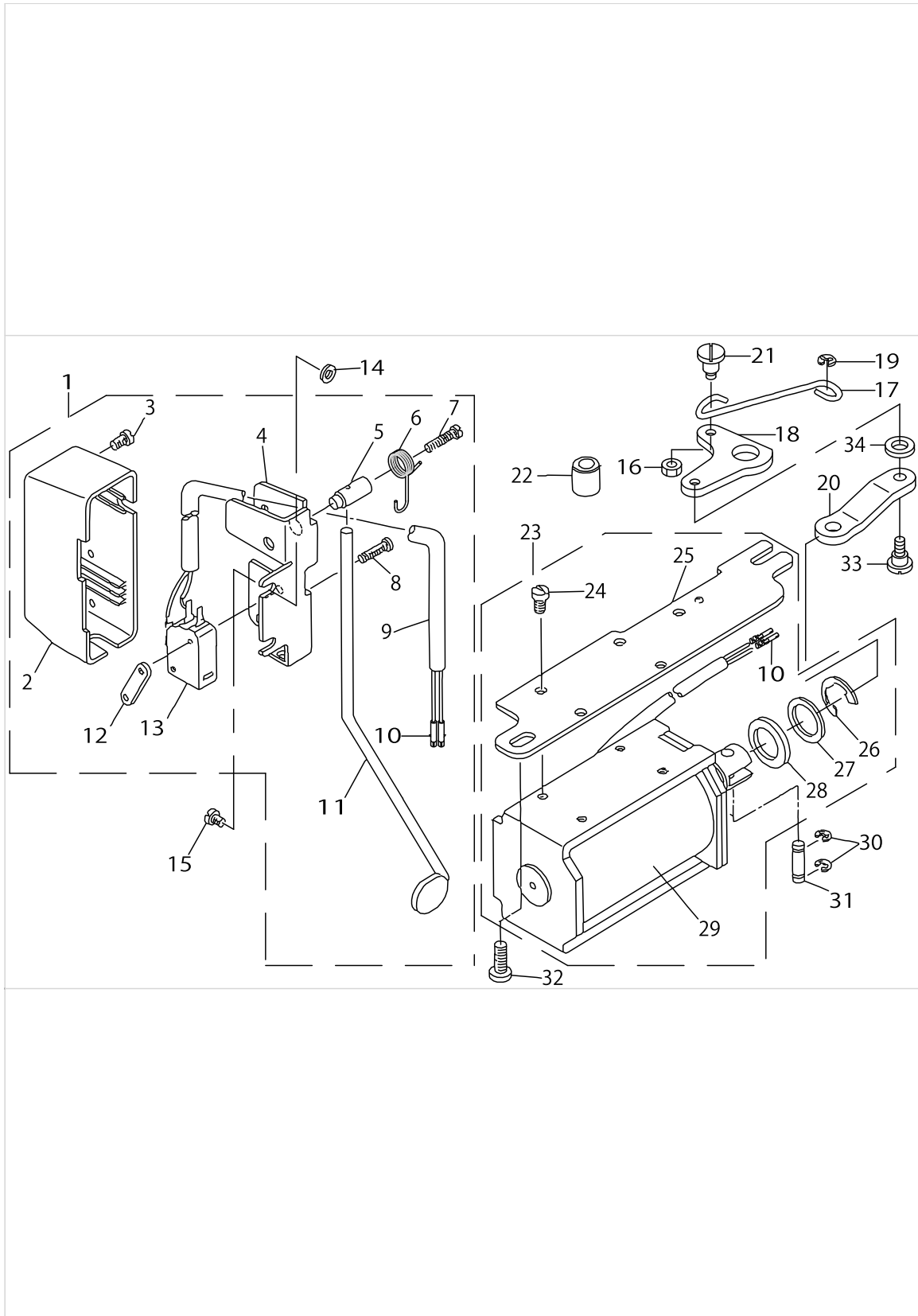
# THREAD TRIMMER COMPONENTS



THREAD TRIMMER COMPONENTS

No.	Parts No.	Parts name	Remarks	Level	Cons	Qty
48	SD0640631TP	HINGE SCREW D=6.35 H=6.3				1
49	22951164	SOLENOID UNIT				1
50	22949903	CLUTCH LINK		*		1
51	RE0500000K0	E-RING		*		1
52	40106930	THREAD TRIMMER SOLENOID ASM.		*		1
53	22951008	SOLENOID PIN		*		1
54	SS6110710TP	SCREW 11/64-40 L= 6.5		*		1
55	SD0600361SP	HINGE SCREW D=6 H=3.6				1
56	SS4151215SP	SCREW 15/64-28 L=12				2
57	22924807	PIPE HOLDER LOWER	FOR DLU-5490N-7-00			1
58	22951552	GROUND WIRE ASM.				1

AUTOMATIC REVERSE FEED COMPONENTS

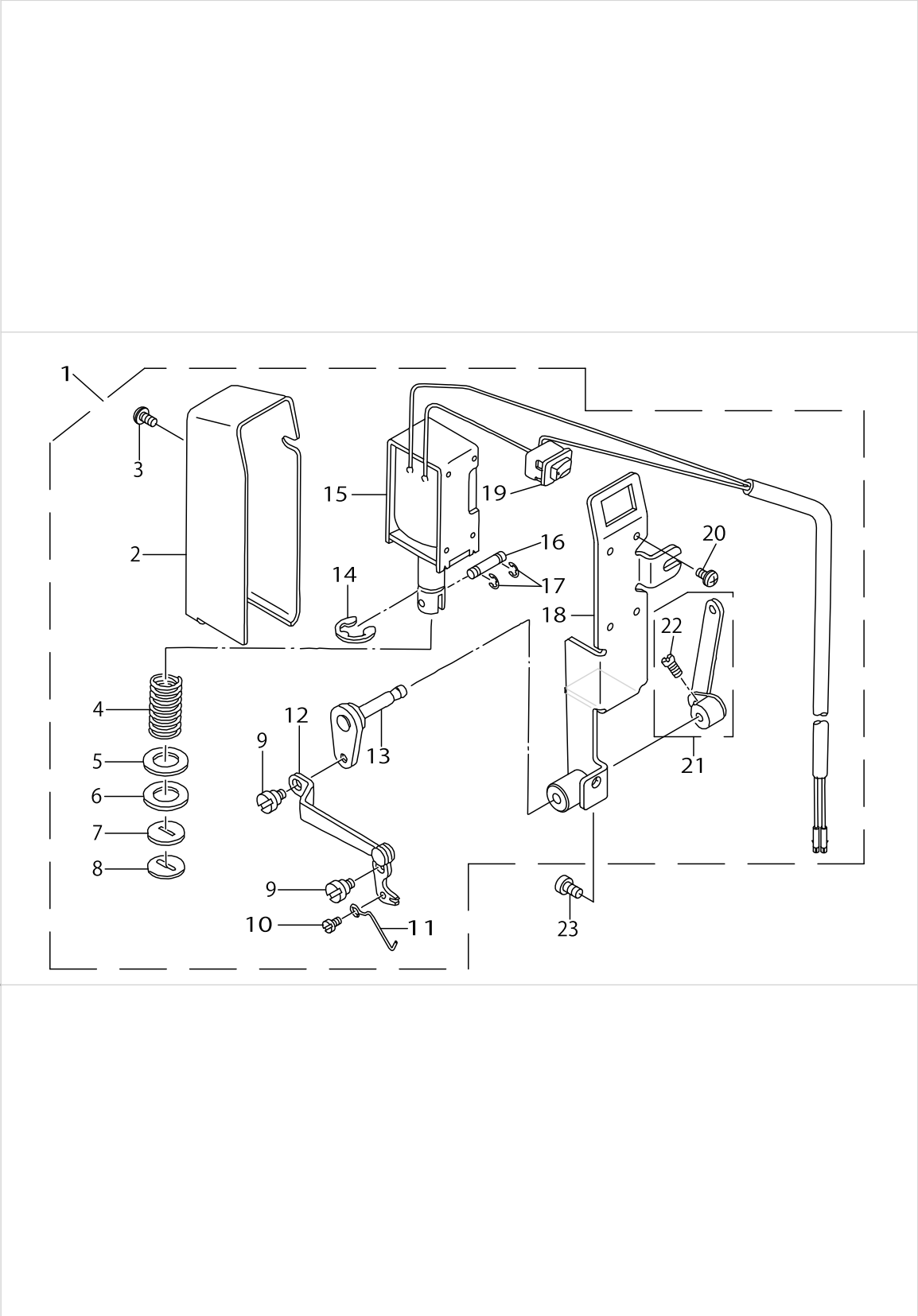


AUTOMATIC REVERSE FEED COMPONENTS

No.	Parts No.	Parts name	Remarks	Level	Cons	Qty
1	11257755	REVERSE FEED SWITCH ASM.				1
2	22954606	REVERSE FEED SWITCH COVER		*		1
3	SM4040655SP	SCREW M4 L=6		*		1
4	22954101	REVERSE FEED SWITCH BASE		*		1
5	22954200	REVERSE FEED SWITCH SHAFT		*		1
6	22954309	REVERSE FEED SWITCH SPRING		*		1
7	SM4041655SP	SCREW M4 L=16		*		1
8	SM4031501SC	SCREW M3 L=15		*		2
9	HW500070000	2-CORE CABTYRE CORD		*		1.31
10	HK03464000B	PIN CONTACT		*		4
11	11257607	REVERSE FEED CONTROL LEVER		*		1
12	11102308	MICRO SWITCH PLATE		*		1
13	HA001900000	MICROSWITCH		*		1
14	WP0553216SD	WASHER	FOR DLU-5490N-7-0B			1
15	SS4120915SP	SCREW 3/16-28 L=9	FOR DLU-5490N-7-0B			2
16	NS6110420SP	NUT 11/64-40				1
17	11101300	REVERSE FEED CONNECTING SHAFT				1
18	11101508	REVERSE FEED LINK				1
19	RE0500000KP	E-RING 5				1
20	22962500	SOLENOID CONNECTING LINK				1
21	SD0700451TP	HINGE SCREW D=7 H=4.5				1
22	22962609	REVERSE FEED BASE COLLAR				1
23	40090750	SOLENOID MOUNTING BASE ASM.				1
24	SS7110740TP	SCREW 11/64-40 L=7		*		4
25	40090752	SOLENOID INSTALLING PLATE		*		1
26	RE1200000K0	E-RING 12		*		1
27	WP1703001SC	WASHER 17X30X3		*		1
28	D2468555B00	RUBBER PLUNGER		*		1
29	40090751	REVERSE FEED SOLENOID		*		1
30	RE0400000K0	E-RING 4				2
31	D2464555B00	LINK DRIVING MAGNET PIN				1
32	SS4150915SP	SCREW 15/64-28 L=9				1
33	SD0700711TP	HINGE SCREW D=7 H=7.1				1
34	WP0722316SH	WASHER				1



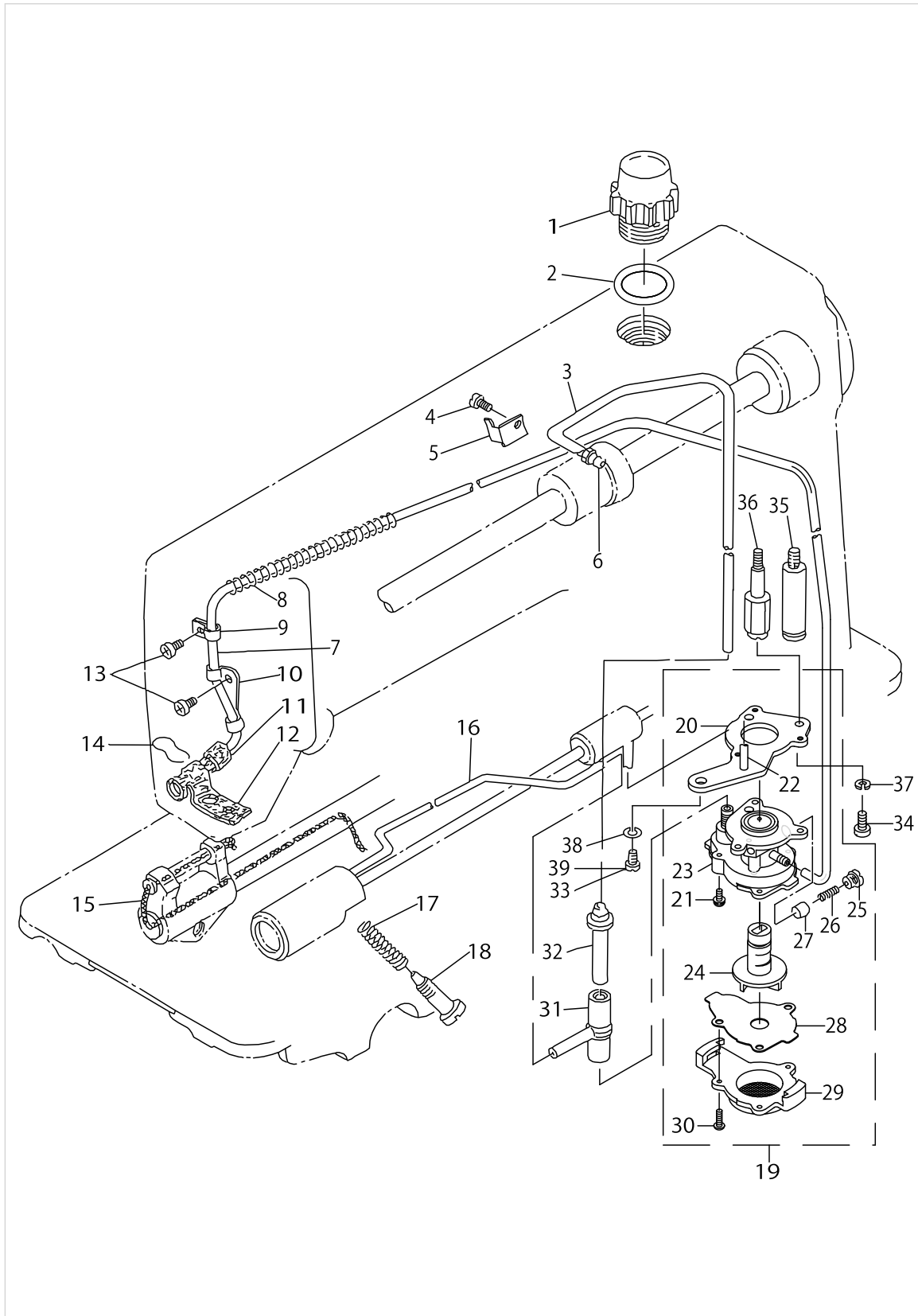
WIPER COMPONENTS



WIPER COMPONENTS

No.	Parts No.	Parts name	Remarks	Level	Cons	Qty
1	11258159	WIPER ASM.				1
2	11258001	WIPER COVER		*		1
3	SL4030631SC	SCREW M3X6		*		1
4	11233400	SPRING		*		1
5	WP1221016SP	WASHER		*		1
6	11234408	SOLENOID RUBBER		*		1
7	11233301	STOPPER RUBBER		*		1
8	11234606	STOPPER RUBBER WASHER		*		1
9	SD0550212TP	HINGE SCREW D=5.5 H=2.1		*		2
10	SS7090410SP	SCREW 9/64-40 L= 3.5		*		1
11	D2104490D00	WIPER		*		1
12	11234150	WIPER DRIVING LINK ASM.		*		1
13	11233657	WIPER LEVER A ASM.		*		1
14	RE0900000K0	E-RING 9		*		1
15	40112705	WIPER SOLENOID ASM.		*		1
16	11234507	PLUNGER CONNECTING PIN		*		1
17	RE0300000K0	E-RING 3		*		2
18	11233053	WIPER INSTALLING BASE ASM.		*		1
19	HA00600000A	SWITCH		*		1
20	SL4030641SE	SCREW		*		4
21	11233251	WIPER LEVER B ASM.		*		1
22	SS6110710TP	SCREW 11/64-40 L= 6.5		*		2
23	SS4121015SP	SCREW 3/16-28 L=10				1

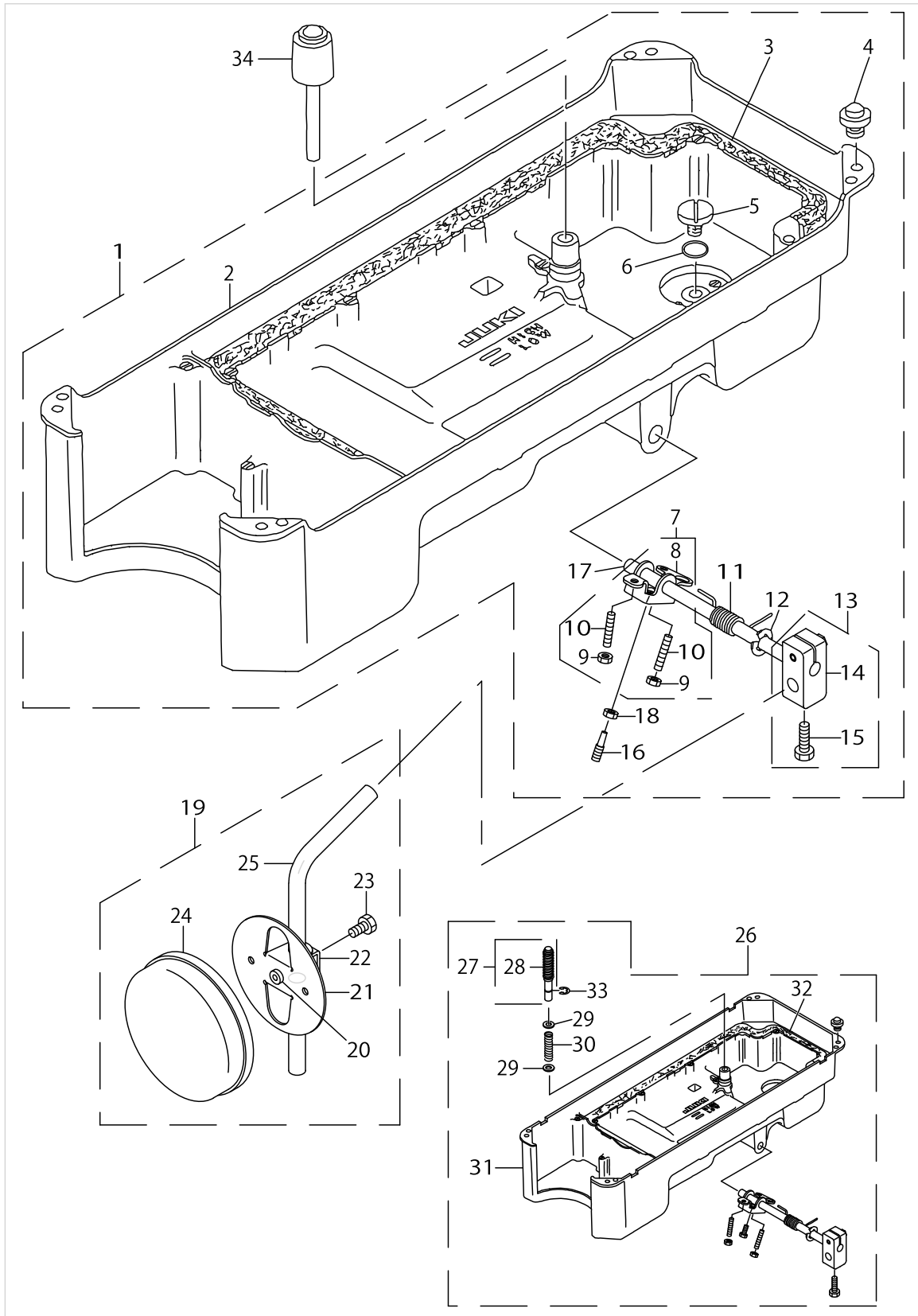
OIL LUBRICATION COMPONENTS



OIL LUBRICATION COMPONENTS

No.	Parts No.	Parts name	Remarks	Level	Cons	Qty
1	22947006	OIL SIGHT WINDOW				1
2	RO195240100	RUBBER RING				1
3	BT0600402EA	OIL TUBE				0.3
4	SS6080340SP	SCREW 1/8-44 L=2.9				1
5	11222007	HOLDER				1
6	SQ1150501SD	CONNECTING SCREW				1
7	11221652	OIL TUBE ASM.				1
8	B3404122000	SPRING		*		1
9	B3536122000	HOLDER		*		1
10	11221801	HOLDER A		*		1
11	11221702	FELT B		*		1
12	11221603	FELT A		*		1
13	SS4120615SP	SCREW 3/16-28 L=6				2
14	11221900	OIL FELT PRESSER				1
15	CQ252000000	OIL WICK				0.3
16	22924500	HOOK OIL TUBE				1
17	22924906	OIL REGULATOR SCREW SPRING				1
18	22925002	OIL REGULATOR SCREW				1
19	22923056	OIL PUMP ASM.				1
20	22923312	OIL PUMP INSTALLING BASE		*		1
21	SL4030851SF	SCREW M3 L=8		*		3
22	22923908	HOOK DRIVING SHAFT OILING PIPE		*		1
23	22923015	OIL PUMP		*		1
24	22923700	IMPELLER		*		1
25	22923502	PLUNGER SCREW		*		1
26	22923601	PLUNGER SPRING		*		1
27	22923403	PLUNGER		*		1
28	22923809	PUMP BODY SUPPORT PLATE		*		1
29	22923205	PUMP BODY COVER		*		1
30	SE4301041SR	SCREW D=3 L=10		*		3
31	22924609	RUBBER JOINT				1
32	11221504	OIL TUBE JOINT				1
33	SS4151215SP	SCREW 15/64-28 L=12	FOR DLU-5490N-7-0B,-WB			1
34	SS6111010TP	SCREW 11/64-40 L= 9.5				1
35	22924005	PUMP BODY STRUT	FOR DLU-5490N-7-00			1
36	11231503	OIL PUMP SUPPORT	FOR DLU-5490N-7-0B,-WB			1
37	WS0451040KP	SPRING WASHER 4.5X8.5X1	FOR DLU-5490N-7-0B,-WB			1
38	WS0651310KP	SPRING WASHER 6.5X11X1.3	FOR DLU-5490N-7-0B,-WB			1
39	SS4150915SP	SCREW 15/64-28 L=9	FOR DLU-5490N-7-00			1

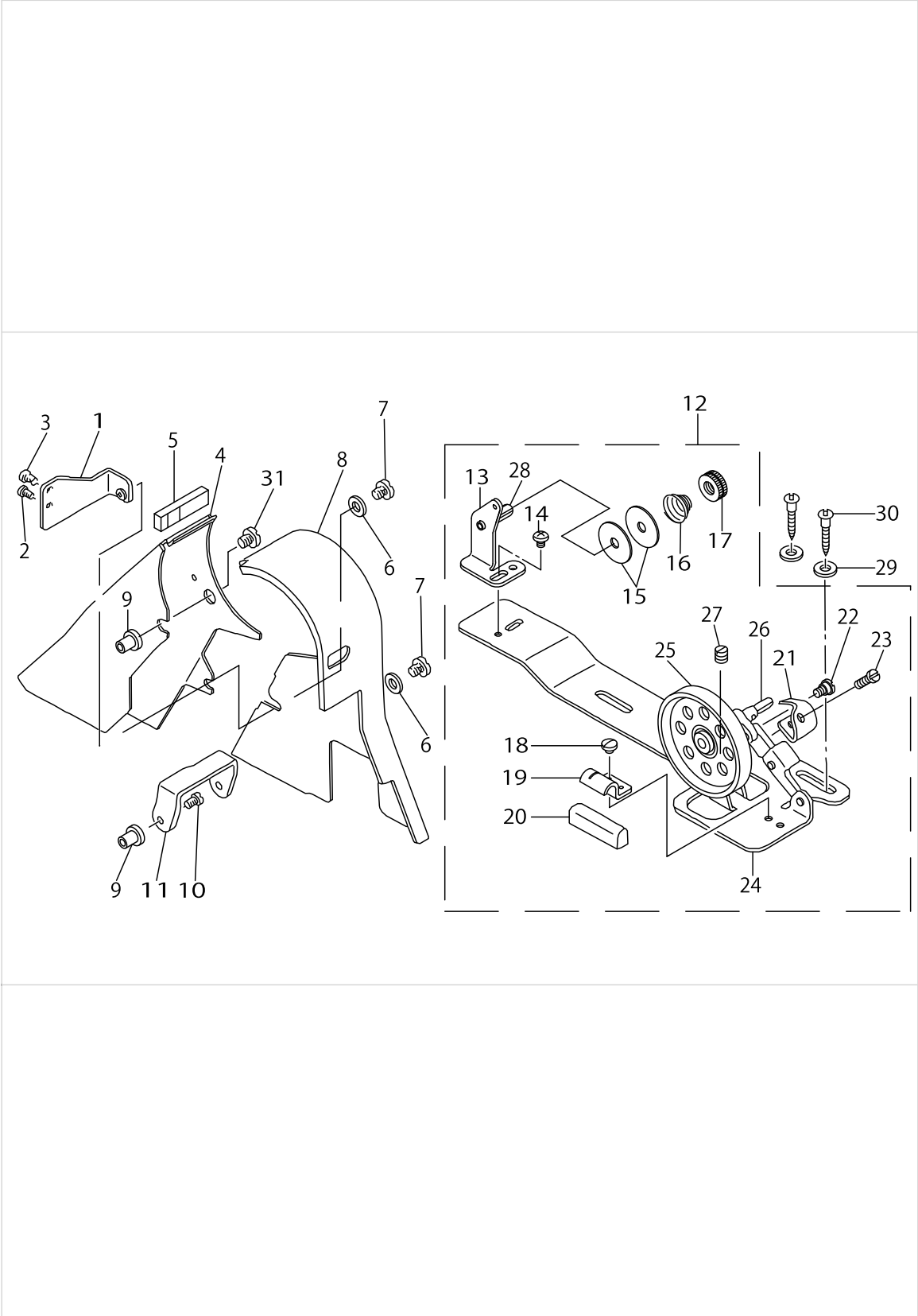
# OIL RESERVOIR COMPONENTS



OIL RESERVOIR COMPONENTS

No.	Parts No.	Parts name	Remarks	Level	Cons	Qty
1	11047057	OIL RESERVOIR ASM.				1
2	11023017	OIL RESERVOIR		*		1
3	11024700	GASKET		*		1
4	11047107	RUBBER CUSHION		*		4
5	SS6700710SH	SCREW 5/16-24 L=7		*		1
6	RO098240100	RUBBER RING		*		1
7	22932156	KNEE LIFTER ROTATION ARM ASM.		*		1
8	22932107	KNEE LIFTER ROTATION ARM		*		1
9	NM6060001SE	NUT M6		*		2
10	SM8063012TR	SCREW M6 L=30		*		2
11	22932206	SPRING		*		1
12	RE1000000K0	E-RING 10		*		1
13	22932453	BRACKET ASM.		*		1
14	22932404	BRACKET		*		1
15	22934707	BRACKET SCREW		*		2
16	40101720	SCREW_M6		*		1
17	22932305	KNEE PRESS CROSS SHAFT		*		1
18	NM6060001SE	NUT M6		*		1
19	22934251	KNEE PAD PLATE ASM.				1
20	22934400	KNEE PAD PLATE RUBBER		*		1
21	22934202	KNEE PAD PLATE		*		1
22	22934301	KNEE PAD PLATE SUPPORT		*		1
23	SM9061203SE	SCREW M6 L=12		*		1
24	22934509	KNEE PAD PLATE COVER		*		1
25	22934608	KNEE PAD UPRIGHT SHAFT		*		1
26	11141454	OIL RESERVOIR ASM.	FOR JE			1
27	GAK300010B0	KNEE PRESS LIFTER ROD ASM.	FOR JE	*		1
28	GAK30004000	KNEE PRESS LIFTER ROD RUBBER	FOR JE	*		1
29	WP0621016SD	WASHER 6.2X13X1	FOR JE	*		2
30	GAK30005000	SPRING	FOR JE	*		1
31	11141413	OIL RESERVOIR	FOR JE	*		1
32	11141900	GASKET	FOR JE	*		1
33	RE0400000K0	E-RING 4	FOR JE	*		1
34	11024304	KNEE PRESS LIFTER ROD				1

BELT COVER & BOBBIN WINDER COMPONENTS

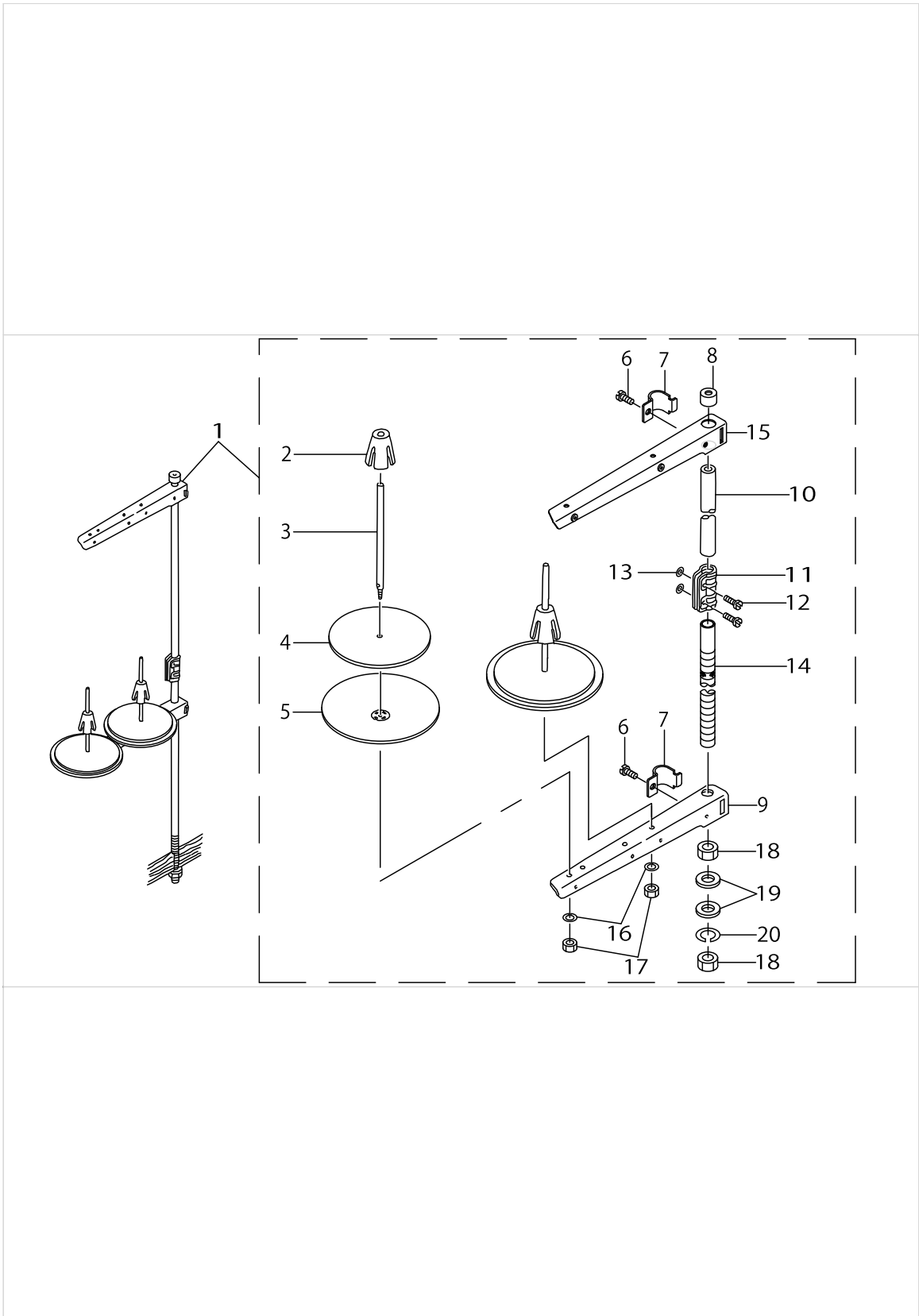


BELT COVER & BOBBIN WINDER COMPONENTS

No.	Parts No.	Parts name	Remarks	Level	Cons	Qty
1	11222601	BELT COVER STAY A				1
2	SS4120915SP	SCREW 3/16-28 L=9				1
3	SS4150915SP	SCREW 15/64-28 L=9				1
4	11258308	BELT COVER A				1
5	11222908	COVER FELT				1
6	WP0480856SP	WASHER 4.8X8.4X0.8				2
7	SS7110710SP	SCREW 11/64-40 L=7				2
8	11258407	BELT COVER B				1
9	11023603	BELT COVER COLLAR				2
10	SS7701510SP	SCREW 5/16-24 L=15				1
11	11222700	BELT COVER STAY B				1
12	22927354	BOBBIN WINDER COMPL.				1
13	22928501	THREAD TENSION POST BASE		*		1
14	SS4110515SP	SCREW 11/64-40 L=5		*		1
15	22928907	THREAD TENSION DISK		*		2
16	22929004	THREAD TENSION SPRING		*		1
17	22928808	NUT		*		1
18	SS7110350SP	SCREW 11/64-40 L=3.5		*		1
19	22928402	CONTROL RUBBER HOLDING PLATE		*		1
20	22928303	CONTROL RUBBER		*		1
21	22928105	BOBBIN PRESSER		*		1
22	SD0490261SP	HINGE SCREW D=4.9 H=2.6		*		1
23	SS7081310SP	SCREW 1/8-44 L=12.5		*		1
24	22927305	BOBBIN WINDER BASE		*		1
25	22927404	BOBBIN WINDER		*		1
26	22927602	BOBBIN WINDER SPINDLE		*		1
27	SS8110510SP	SCREW 11/64-40 L=5		*		1
28	22928709	THREAD TENSION POST				1
29	WP0450826SC	WASHER 4.5X10X0.8				2
30	SK3412000SC	WOOD SCREW D=4.1 L=20				2
31	SS7701010SP	SCREW 5/16-24 L=10				1



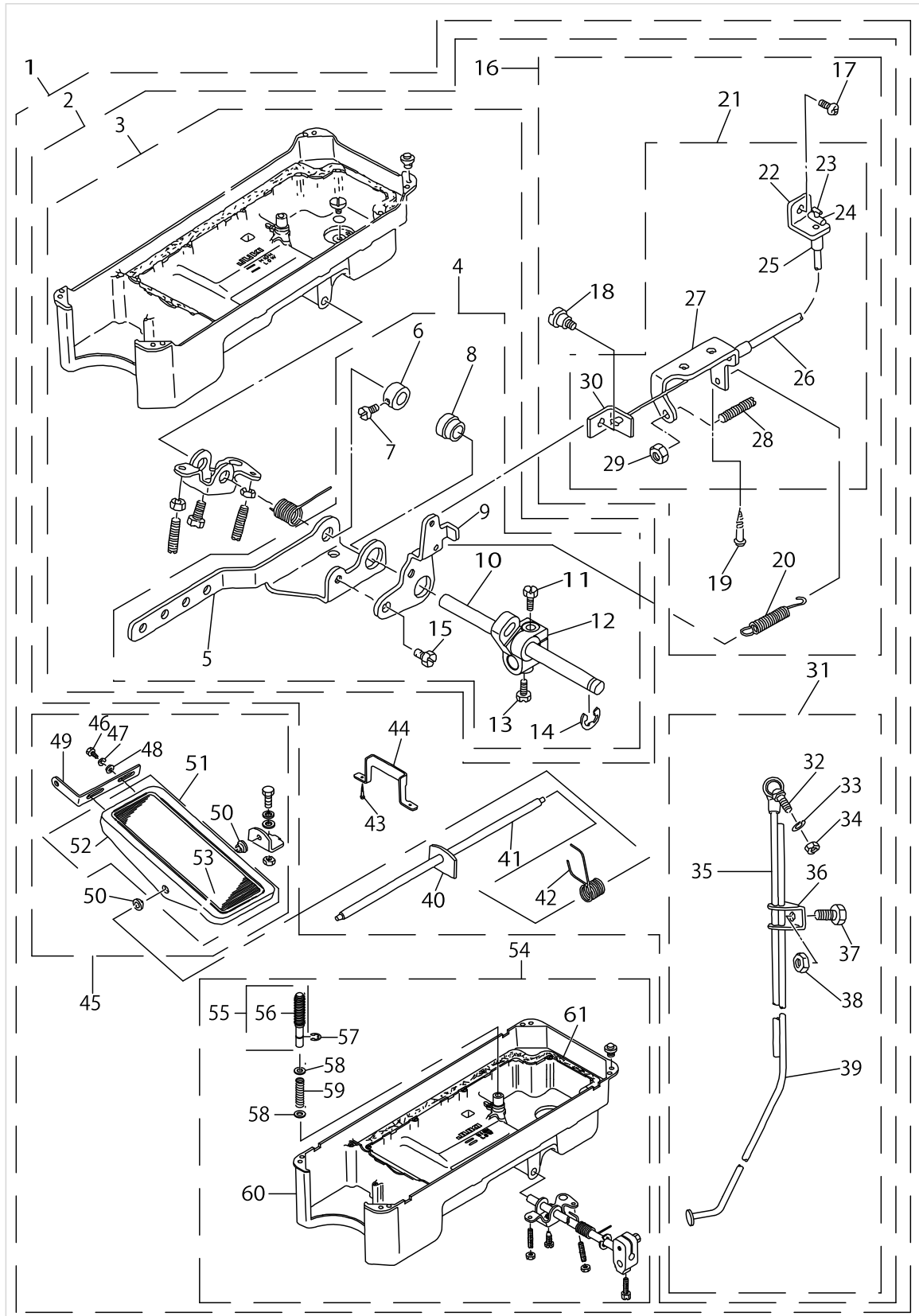
THREAD STAND COMPONENTS



THREAD STAND COMPONENTS

No.	Parts No.	Parts name	Remarks	Level	Cons	Qty
1	22930358	THREAD STAND ASM.				1
2	22931109	SPOOL RETAINER		*		2
3	22931000	SPOOL PIN		*		2
4	22930903	SPOOL REST CUSHION		*		2
5	22930804	SPOOL REST		*		2
6	SM6061610SC	SCREW M6 L=16		*		2
7	22930705	THREAD GUIDE ARM JOINT		*		2
8	22931406	SPOOL REST ROD RUBBER CAP		*		1
9	22930507	SPOOL REST ARM		*		1
10	22930408	SPOOL REST ROD UPPER		*		1
11	22931307	SPOOL REST ROD JOINT		*		1
12	SM4051405SE	SCREW M5 L=14		*		2
13	NM6050001SE	NUT M5		*		2
14	22930309	SPOOL REST ROD LOWER		*		1
15	22930556	THREAD STANDING ARM ASM.		*		1
16	WS0510002KN	SPRING WASHER		*		2
17	NM6050001SE	NUT M5		*		2
18	NM6160511SE	NUT M16X1.5		*		2
19	WP1612616SE	WASHER 16.1X30X2.6		*		2
20	WS1643202KR	SPRING WASHER		*		1

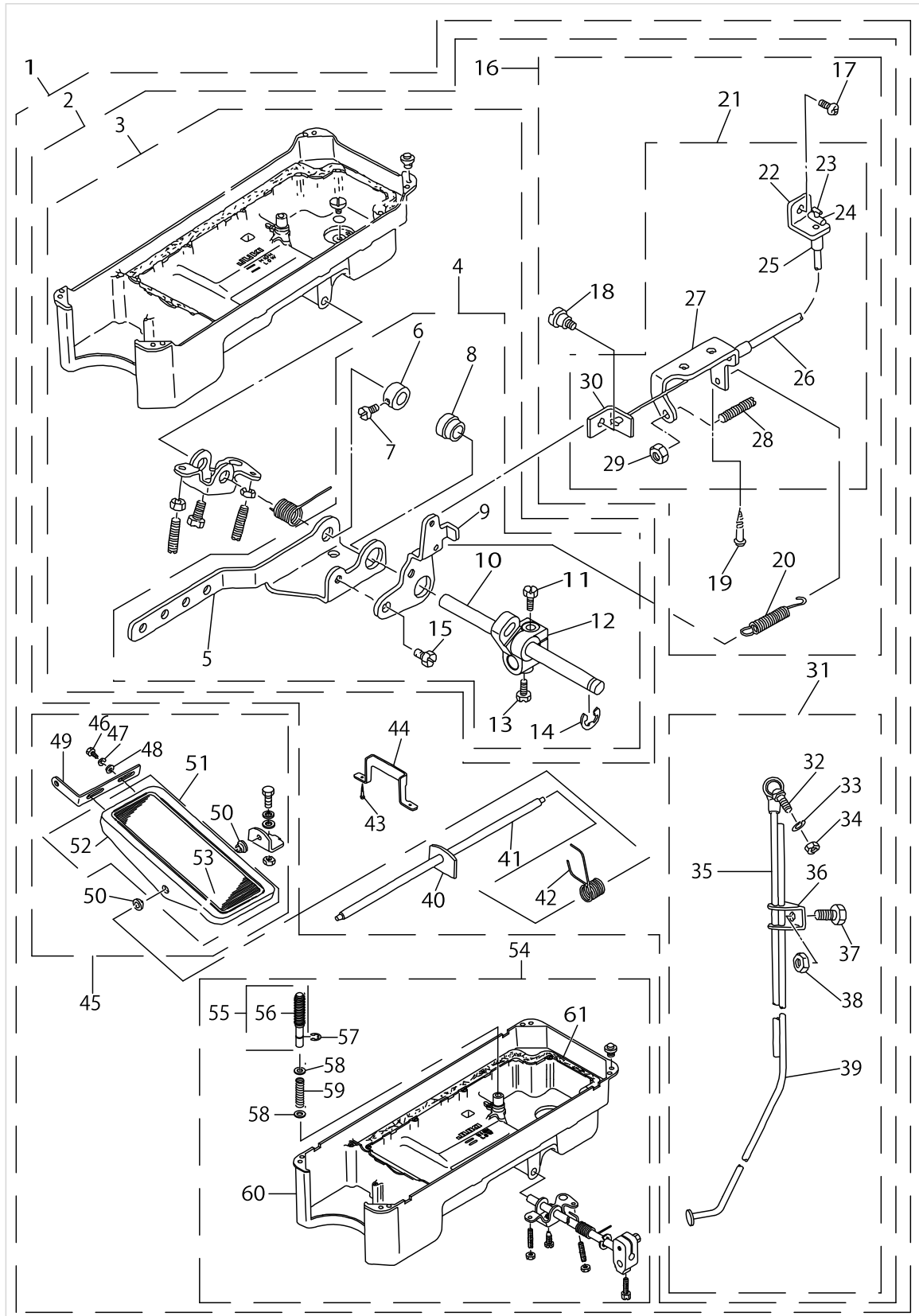
PF-6:PEDAL/KNEE PRESSER-CONTROLLED GATHERING MECHANISM(SPECIAL ORDER PARTS)



PF-6:PEDAL/KNEE PRESSER-CONTROLLED GATHERING MECHANISM(SPECIAL ORDER PARTS)

No.	Parts No.	Parts name	Remarks	Level	Cons	Qty
1	GPF060200B0	PF-6: MECHANISH ASM. B				1
2	GPF060200A0	PF-6: MECHANISH ASM. A		*		1
3	11245156	OIL RESERVOIR ASM.		*		1
4	GPF070500A0	GATHERING MECHANISM ASM.		*		1
5	11245305	PEDAL CONNECTING ARM		*		1
6	CS1111019SH	THRUST COLLAR D=11.11 W=10		*		1
7	SS8660530TP	SCREW 1/4-40 L= 4.5		*		1
8	GPF01012000	SLEEVE		*		1
9	11245404	DRIVING ARM		*		1
10	11245206	KNEE PRESSER LIFTING SHAFT		*		1
11	SS9151540SR	SCREW 15/64-28 L=15		*		1
12	22983902	FITTING ARM		*		1
13	SS9151160CP	SCREW 15/64-28 L=10.5		*		1
14	RE1000000K0	E-RING 10		*		1
15	SS9661120CP	SCREW 1/4-40 L=10.5		*		1
16	GPF060300BA	WIRE ASM.		*		1
17	SS4120915SP	SCREW 3/16-28 L=9		*		1
18	SD0640241SP	HINGE SCREW D= 6.35 H= 2.4		*		1
19	SK3482500SC	WOOD SCREW D=4.8 L=25		*		2
20	B3417552000	LIFTING LEVER LINK SPRING		*		1
21	11245552	WIRE ASM.		*		1
22	11245701	WIRE TUBE SUPPORT PLATE		*		1
23	GPF01005000	WIRE STOPPER		*		2
24	GPF01004000	WIRE ROLL PIN		*		1
25	GPF01003000	WIRE TUBE GUIDE		*		2
26	GPF01002000	WIRE TUBE		*		1
27	11245602	STOPPER		*		1
28	SS8153010SR	SCREW 15/64-28 L=30		*		1
29	NS6150430SP	NUT 15/64-28		*		1
30	GPF01008000	WIRE SUPPORTER		*		1
31	GPF010150C0	CONNECTING ROD ASM.		*		1
32	D7117555BA0	JOINT BAR A ASM.		*		1
33	WS0641560KR	SPRING WASHER 6.4X11.9X1.5		*		1
34	NM6060001SE	NUT M6		*		1
35	D7115555B0B	CONNECTING ROD (B)		*		1
36	B7114012000	MOTOR CONNECTING ROD		*		1
37	SM9081423SE	SCREW M8 L=14		*		1
38	NM6080721SE	NUT M8		*		1
39	GPF01015000	CONNECTING ROD LOWER		*		1
40	GPF06017000	PEDAL SHAFT BRACKET		*		1
41	GPF01016000	PEDAL SHAFT		*		1
42	11245800	SPRIG		*		1
43	SK3311600SB	WOOD SCREW D=3.1 L=16		*		2
44	GPF01011000	WIRE TUBE GUIDE		*		1
45	GPF060600B0	PEDAL ASM.		*		1
46	SM9061203SE	SCREW M6 L=12		*		2
47	WS0621210KR	SPRING WASHER 6.2X11.4X1.2		*		2

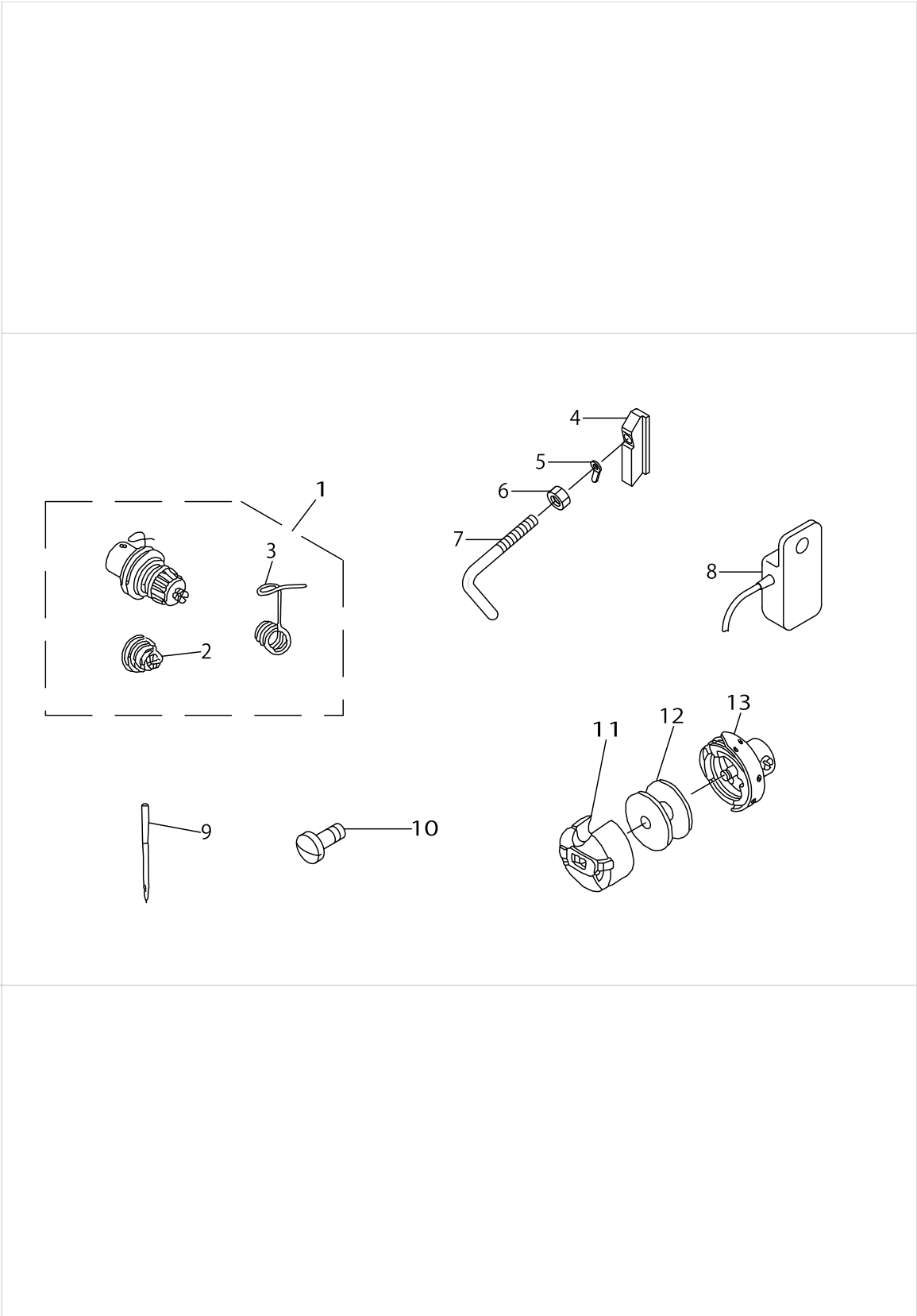
PF-6:PEDAL/KNEE PRESSER-CONTROLLED GATHERING MECHANISM(SPECIAL ORDER PARTS)



PF-6:PEDAL/KNEE PRESSER-CONTROLLED GATHERING MECHANISM(SPECIAL ORDER PARTS)

No.	Parts No.	Parts name	Remarks	Level	Cons	Qty
48	WP0671016SE	WASHER 6.7X13X1		*		2
49	GPF06080000	PEDAL ADJUSTING PLATE		*		1
50	D8113555B00	PEDAL BUSHING		*		2
51	GPF060600A0	PEDAL ASM.		*		1
52	GPF06060000	PEDAL		*		1
53	GPF06070000	PEDAL MAT		*		1
54	11247053	OIL RESERVOIR COMPL.	FOR JE	*		1
55	GAK300010B0	KNEE PRESS LIFTER ROD ASM.	FOR JE	*		1
56	GAK30004000	KNEE PRESS LIFTER ROD RUBBER	FOR JE	*		1
57	RE0400000K0	E-RING 4	FOR JE	*		1
58	WP0621016SD	WASHER 6.2X13X1	FOR JE	*		2
59	GAK30005000	SPRING	FOR JE	*		1
60	11141413	OIL RESERVOIR	FOR JE	*		1
61	11141900	GASKET	FOR JE	*		1

EXCLUSIVE PARTS FOR DLU-5490NE-7



EXCLUSIVE PARTS FOR DLU-5490NE-7

No.	Parts No.	Parts name	Remarks	Level	Cons	Qty
1	11230257	THREAD TENSION ASM.				1
2	D3129555D00	THREAD TENSION SPRING		*		1
3	D3128555D00	TAKE-UP SPRING		*		1
4	11403805	THREAD GUIDE C FITTING PLATE				1
5	11404209	SPACER				1
6	11404308	NUT				1
7	22972608	ARM THREAD GUIDE C				1
8	M6006350AAS	RESISTOR PACK AS ASM.				1
9	MDB1SFB0900	NEEDLE DBX1SF #9				1
10	11079506	FRONT SCREW				1
11	B18370120A0	BOBBIN CASE ASM.				1
12	22964001	BOBBIN A				1
13	11079456	OIL HOOK ASM.				1



LIST FOR INFORMATION OF CHANGE (1)

As to the place changed, refer to the corresponding Rev.No.  
 When previous parts(Obsoleted part)and new parts(Added parts)are  
 not interchangeable with each other:  
 In this case,even obsoleted parts(D.)can be ordered with the  
 obsoleted part number,so select the parts with changed dates and  
 place your orders.

変更箇所は、該当Rev.No.版をご参照ください。  
 部品の互換性がない変更の場合は、削除された品番でも、ご注文できます。

29135407  
 No.0906-11 Rev.No.

\*A:Added parts追加部品/D:Obsoleted parts削除部品/E:Erratum訂正

* Rev. No.	Page 頁	Ref. No.	Parts No. 品番	* Rev. No.	Page 頁	Ref. No.	Parts No. 品番
D 10	2	24	111-00104	A 11	2	24	401-11022
D 10	2	65	WP-0501016-SD	A 11	2	65	401-16677
D 10	2	66	WS-0510002-KP				
D 10	2	67	M6006-350-AAA				
D 10	2	68	M6006-350-AAF				
D 10	2	69	SS-4121215-SP				
D 10	4	4	110-39070	A 11	4	4	229-18072
D 10	4	5	110-39062	A 11	4	5	229-18064
D 10	4	6	B1905-541-B00	A 11	4	6	229-18403
				A 11	4	7	229-18502
				A 11	4	8	229-18601
				A 11	4	9	229-18700
D 10	4	7	110-05204	A 11	4	10	229-18106
D 10	4	8	B1408-552-000	A 11	4	11	229-06606
D 10	4	9	B1903-552-000	A 11	4	12	229-18304
D 10	4	10	112-02173	A 11	4	13	400-95789
D 10	4	21	110-02508	A 11	4	21	401-05231
D 10	10	32	110-08703	A 11	10	32	400-89548
D 10	10	33	110-08604	A 11	10	33	400-93417
				A 11	12	52	112-10051
D 10	16	13	110-42553	A 11	16	13	229-50257
D 10	16	14	110-42504	A 11	16	14	229-50208
D 10	16	49	110-43957	A 11	16	49	229-51164
D 10	16	52	110-43205				
D 10	16	53	110-43908	A 11	16	52	401-06930
D 10	16	54	229-51404				
D 10	16	55	WP-0450000-SD				
D 10	16	56	NM-6040000-SN				
D 10	16	57	110-43304				
D 10	16	58	NS-6660410-SH				
D 10	16	59	NS-6660430-SP				
D 10	16	66	HK-0346400-0B				
D 10	17	23	112-28459	A 11	17	23	400-90750
D 10	17	25	112-27600	A 11	17	25	400-90752
D 10	17	29	112-28400	A 11	17	29	400-90751



## HOW TO MAKE USE OF THIS PARTS LIST

### 1.Explanation of codes

1)"\*"mark.....means this part is changed from the previous parts book.

As to the details of the change, refer to the "List for information of change".

2)"#01".....refer to "Note" explanation at bottom of page.

### 2.Codes on the "Qty" column

- Each numeral indicates the number of parts required.
- "0.1" and "2.5" indicate the length (in meters) of the respective parts.

3.Parentheses mean that the corresponding part is a subpart that constructs an assembly part.

4.Dotted lines on the Figures indicate assembly parts.

### 1."注記"欄の記号説明

1) "\*"印.....前回のパーツブックに比較して今回変更された部品を意味します。

変更内容は、"変更情報リスト"を参照してください。

2) "#01".....ページ下の"注記"の説明を参照してください。

2.数量欄の数字は、個数を表し、0.1、2.5等の数値は、長さ（単位メートル）を表します。

3.数量欄の（ ）は、組部品を構成している子部品であることを意味します。

4.イラストページの-----枠は、組構成であることを意味します。

# NUMERICAL INDEX OF PARTS

PART NO	PAGE	REF NO.	PART NO	PAGE	REF NO.	PART NO	PAGE	REF NO.
11002409	6	20	11202207	6	25	11212354	24	34
11003308	2	15	11202306	6	27	11212503	24	40
11004207	8	26	11203106	8	25	11212610	24	28
11008703	22	75	11204013	12	34	11212701	24	31
11009800	16	9-44	11204112	12	29	11212800	24	32
11010303	16	21	11204161	12	26	11212909	24	4
11010907	16	45	11204211	12	27	11213006	24	16
11015906	8	38	11204302	14	67	11213311	22	68
11017357	6	2	11204401	12	33	11214004	20	43
11023017	36	2	11204559	12	19	11214103	20	22
11023603	38	9	11204609	12	20	11214152	20	21
11024304	36	34	11205002	12	22	11214202	22	73
11024700	36	3	11205101	12	9	11214301	20	20
11030202	2	23	11205150	12	5	11214400	20	29
11035003	8	3	11205218	14	69	11214509	20	40
11037405	16	23	11205309	12	12	11214608	20	28
11038650	8	41	11205408	12	13	11214756	20	31
11038759	8	43	11205507	12	45	11214806	20	36
11038809	8	32	11206000	16	20	11214905	20	37
11040052	26	5	11206208	16	4	11215019	20	34
11040854	26	45	11206307	16	6	11215118	20	32
11040953	26	44	11206406	16	8	11215209	12	42
11047057	36	1	11206463	16	2	11215258	12	40
11047107	36	4	11206653	24	3	11216009	22	72
11071453	6	33	11210002	22	53	11216157	20	1
11071909	16	14	11210051	22	52	11216306	22	65
11079456	46	13	11210119	20	14	11216405	20	12
11079506	46	10	11210200	20	16	11216504	20	11
11101300	30	17	11210325	22	58	11216603	20	5
11101508	30	18	11210408	22	61	11216652	20	3
11102308	30	12	11210507	22	60	11216702	20	6
11141207	10	48	11210614	22	63	11216801	20	7
11141355	8	47	11210705	22	49	11216918	14	66
11141413	36	31	11210754	20	47	11217114	12	38
11141413	44	60	11210804	22	51	11217213	12	37
11141454	36	26	11210903	22	64	11217353	12	25
11141900	36	32	11211000	20	44	11217601	12	35
11141900	44	61	11211109	24	22	11220001	14	50
11200201	2	6	11211208	24	36	11220100	12	17
11200300	4	54	11211307	24	23	11220209	2	45
11200409	4	53	11211455	24	6	11220308	14	65
11200607	2	3	11211851	24	12	11221504	34	32
11200805	4	55	11212008	24	39	11221603	34	12
11202009	6	3	11212156	24	5	11221652	34	7
11202116	6	15	11212206	24	29	11221702	34	11

# NUMERICAL INDEX OF PARTS

PART NO	PAGE	REF NO.	PART NO	PAGE	REF NO.	PART NO	PAGE	REF NO.
11221801	34	10	11258308	38	4	22912000	16	13
11221900	34	14	11258407	38	8	22912109	16	12
11222007	34	5	11313103	26	7	22912901	18	50
11222601	38	1	11403805	46	4	22913008	18	60
11222700	38	11	11404209	46	5	22913701	16	22
11222908	38	5	11404308	46	6	22915003	18	64
11225356	6	35	11415205	4	66	22915151	18	56
11226016	8	11	22900401	2	14	22915201	18	48
11226107	8	4	22900609	2	31	22915359	18	62
11230117	12	36	22900757	2	8	22916001	8	31
11230257	46	1	22901003	4	63	22916100	8	34
11230562	14	56	22901201	4	60	22916308	8	27
11230802	12	15	22901250	4	59	22916506	8	39
11231503	34	36	22901300	4	61	22916555	8	37
11232055	26	1	22901409	8	1	22917058	8	35
11232105	26	3	22901805	4	69	22917157	8	29
11233053	32	18	22904155	6	23	22918064	6	5
11233251	32	21	22904155	16	58	22918072	6	4
11233301	32	7	22904155	18	58	22918106	6	10
11233400	32	4	22905004	8	24	22918304	6	12
11233657	32	13	22906101	8	2	22918403	6	6~9
11234150	32	12	22906200	8	9	22918502	6	6~9
11234408	32	6	22906457	8	5	22918601	6	6~9
11234507	32	16	22906606	6	11	22918700	6	6~9
11234606	32	8	22907307	12	32	22919203	6	37
11240108	8	46	22907406	12	24	22920409	14	48
11245156	42	3	22907802	12	2	22920508	2	35
11245206	42	10	22908156	12	6	22920607	4	57
11245305	42	5	22908305	12	8	22920805	8	8
11245404	42	9	22908552	12	4	22921001	2	36
11245552	42	21	22908909	12	18	22921209	2	43
11245602	42	27	22910004	6	45	22921308	2	38
11245701	42	22	22910053	6	43	22921407	2	39
11245800	42	42	22910103	6	28	22921506	2	42
11247053	44	54	22910350	18	54	22921605	2	44
11255650	2	5	22910459	16	1	22921704	2	40
11255809	2	2	22910806	16	35	22921803	2	41
11256252	6	29	22910905	16	31	22923015	34	23
11256708	24	35	22910905	22	57	22923056	34	19
11256807	24	9	22911002	18	51	22923205	34	29
11257359	2	37	22911002	22	55	22923312	34	20
11257607	30	11	22911101	16	18	22923403	34	27
11257755	30	1	22911101	20	18	22923502	34	25
11258001	32	2	22911705	16	9·44	22923601	34	26
11258159	32	1	22911804	16	11	22923700	34	24

NUMERICAL INDEX OF PARTS

PART NO	PAGE	REF NO.	PART NO	PAGE	REF NO.	PART NO	PAGE	REF NO.
22923809	34	28	22934707	36	15	22958300	2	11
22923908	34	22	22935407	4	64	22962500	30	20
22924005	34	35	22937965	6	36	22962609	30	22
22924500	34	16	22940654	16	40	22962708	26	11
22924609	34	31	22940753	16	25	22962807	14	59
22924807	28	57	22940803	16	38	22964001	46	12
22924906	34	17	22940951	16	34	22972608	46	7
22925002	34	18	22942601	8	40	22983902	42	12
22927305	38	24	22944508	14	55	40010359	16	30
22927354	38	12	22944607	14	58	40071856	16	26
22927404	38	25	22944706	12	47	40078218	20	15
22927602	38	26	22945109	14	62	40080424	16	17
22928105	38	21	22945406	2	26	40087245	26	30
22928303	38	20	22945463	2	25	40089548	16	32
22928402	38	19	22945505	2	29	40090058	8	7
22928501	38	13	22945604	2	27	40090750	30	23
22928709	38	28	22945703	2	30	40090751	30	29
22928808	38	17	22945802	2	28	40090752	30	25
22928907	38	15	22947006	34	1	40093417	16	33
22929004	38	16	22947907	26	6	40095789	6	13
22930309	40	14	22948301	26	35	40101720	36	16
22930358	40	1	22948400	26	37	40105231	6	21
22930408	40	10	22949002	26	43	40106930	28	52
22930507	40	9	22949101	26	40	40111022	2	24
22930556	40	15	22949200	26	41	40112705	32	15
22930705	40	7	22949309	26	38	40116677	4	65
22930804	40	5	22949408	26	29	B1109450B0B	4	49
22930903	40	4	22949754	26	24	B1191490000	4	51
22931000	40	3	22949762	26	23	B1211980000	24	18
22931109	40	2	22949903	28	50	B1213552000A	6	39
22931307	40	11	22950109	26	31	B1215552000	6	26
22931406	40	8	22950208	26	14	B1226552000	6	41
22932107	36	8	22950257	26	13	B1242980000	24	27
22932156	36	7	22950356	26	15	B13050120A0	8	15
22932206	36	11	22950703	26	25	B13061550A0	8	17
22932305	36	17	22950851	26	19	B13061550B0	8	14
22932404	36	14	22950950	26	21	B13061550C0	8	13
22932453	36	13	22951008	28	53	B13071550A0	8	20
22932909	8	42	22951164	28	49	B13071550B0	8	19
22934202	36	21	22951552	28	58	B13081550A0	8	22
22934251	36	19	22954101	30	4	B1521555000	12	1
22934301	36	22	22954200	30	5	B1524491BB0	14	68
22934400	36	20	22954309	30	6	B1609804B00	20	2
22934509	36	24	22954606	30	2	B1613450A00	16	27
22934608	36	25	22954705	2	13	B1641490000	24	26

# NUMERICAL INDEX OF PARTS

PART NO	PAGE	REF NO.	PART NO	PAGE	REF NO.	PART NO	PAGE	REF NO.
B1644490000	24	25	GPF06017000	42	40	RE0320000K0	24	33
B18370120A0	46	11	GPF060200A0	42	2	RE0400000K0	14	49
B2920490000	24	14	GPF060200B0	42	1	RE0400000K0	26	39
B3016450000A	22	67	GPF060300BA	42	16	RE0400000K0	30	30
B3026490B00	20	38	GPF06060000	44	52	RE0400000K0	36	33
B3037470000	24	13	GPF060600A0	44	51	RE0400000K0	44	57
B3118552C00	4	48	GPF060600B0	42	45	RE0500000K0	12	14
B3404122000	34	8	GPF06070000	44	53	RE0500000K0	16	29
B3417552000	42	20	GPF06080000	44	49	RE0500000K0	26	51
B3536122000	34	9	GPF070500A0	42	4	RE0500000K0	28	51
B412352200B	22	71	HA001900000	30	13	RE0500000KP	30	19
B7114012000	42	36	HA00600000A	32	19	RE0600000K0	26	34
BT0600402EA	34	3	HK034610140	26	46	RE0700000K0	20	10
CM300200001	4	67	HK03464000B	30	10	RE0900000K0	32	14
CM301300001	4	68	HW500070000	30	9	RE1000000K0	36	12
CQ252000000	34	15	HX000430000	6	42	RE1000000K0	42	14
CS064061ASP	14	51	M40071100AA	6	34	RE1200000K0	30	26
CS070061ASD	24	1	M6006350AAS	46	8	RO029180100	6	40
CS1111019SH	42	6	MC200500750	8	44	RO037180100	12	3
CS120101BSH	20	45	MDB100B1100	8	45	RO044240100	6	18
D2104490D00	32	11	MDB100B1400	8	12	RO069180100	24	24
D2406555D0H	26	10	MDB1SFB0900	46	9	RO092270200	16	15
D2464555B00	30	31	NM6040001SD	20	25	RO098240100	36	6
D2468555B00	30	28	NM6050001SE	40	17	RO133170100	2	47
D3128555D00	46	3	NM6060001SE	36	18	RO195240100	34	2
D3129555D00	46	2	NM6060001SE	42	34	SD0460703TP	26	2
D7115555B0B	42	35	NM6080721SE	42	38	SD0490261SP	38	22
D7117555BA0	42	32	NM6160511SE	40	18	SD0500095TH	26	4
D8113555B00	44	50	NS6110310SP	20	41	SD0550212TP	32	9
GAK300010B0	36	27	NS6110310SP	24	38	SD0600322SD	12	11
GAK300010B0	44	55	NS6110420SP	30	16	SD0600361SP	28	55
GAK30004000	36	28	NS6120310SP	20	24	SD0630275SP	26	18
GAK30004000	44	56	NS6150430SP	26	33	SD0640241SP	42	18
GAK30005000	36	30	NS6150430SP	42	29	SD0640451TP	20	8
GAK30005000	44	59	NS6620310SP	12	44	SD0640631TP	28	48
GPF01002000	42	26	NS6620310SP	20	62	SD0641451SP	26	17
GPF01003000	42	25	NS6620310SP	22	62	SD0700451TP	30	21
GPF01004000	42	24	NS6680410SP	18	53	SD0700711TP	30	33
GPF01005000	42	23	PS0150065KP	24	11	SD0720331SP	12	16
GPF01008000	42	30	RC0150001KP	16	61	SD1000701TP	24	10
GPF01011000	42	44	RC0150001KP	18	61	SD1000801SH	18	49
GPF01012000	42	8	RC0260415KP	12	39	SE4301041SR	34	30
GPF01015000	42	39	RC0330415KP	20	35	SK3311600SB	42	43
GPF010150C0	42	31	RC1850001KP	6	22	SK3412000SC	38	30
GPF01016000	42	41	RE0300000K0	32	17	SK3482500SC	42	19

NUMERICAL INDEX OF PARTS

PART NO	PAGE	REF NO.	PART NO	PAGE	REF NO.	PART NO	PAGE	REF NO.
SL4030631SC	32	3	SS4151215SP	34	33	SS7110910TP	12	30
SL4030641SE	32	20	SS6060210SP	4	62	SS7110910TP	22	69
SL4030851SF	34	21	SS6080340SP	34	4	SS7111120SP	18	63
SL4051001MZ	6	38	SS6080410SP	2	7	SS7111410TP	22	70
SM4031501SC	30	8	SS6090510SP	24	2	SS7120770SH	16	10
SM4040655SP	30	3	SS6090510SP	26	16	SS7121410TP	16	41
SM4041655SP	30	7	SS6090620TP	16	52	SS7121610SP	18	57
SM4051405SE	40	12	SS6090620TP	18	52	SS7620750SP	24	21
SM6061610SC	40	6	SS6090630SP	20	13	SS7681650TP	6	14
SM8063012TR	36	10	SS6090670TP	8	6	SS7701010SP	38	31
SM9061203SE	36	23	SS6090670TP	16	7	SS7701510SP	38	10
SM9061203SE	42	46	SS6090910SP	12	31	SS8090410SP	2	46
SM9081423SE	42	37	SS6110420TP	8	30	SS8110410TP	8	36
SQ1150501SD	34	6	SS6110610TP	4	58	SS8110422TP	14	54
SS1120710SP	4	52	SS6110610TP	20	39	SS8110510SP	38	27
SS2060210SP	26	8	SS6110710TP	28	54	SS8110520TP	26	22
SS2110915SP	4	50	SS6110710TP	32	22	SS8120410SP	20	26
SS4080620TP	12	28	SS6110820TP	24	7	SS8120740SP	22	74
SS4080620TP	16	28	SS6111010TP	34	34	SS8150410TP	20	30
SS4080620TP	26	9	SS6111030TP	24	15	SS8150710TP	2	34
SS4090615SP	6	19	SS6111210SP	6	30	SS8150710TP	16	36
SS4090815SP	22	59	SS6121220TP	12	43	SS8151150TP	6	1
SS4110515SP	14	61	SS6121220TP	16	5	SS8151550SP	6	32
SS4110515SP	16	24	SS6121220TP	20	66	SS8153010SR	42	28
SS4110515SP	38	14	SS6121220TP	22	66	SS8660410SP	20	46
SS4110715SP	26	28	SS6121250TP	20	4	SS8660530TP	22	54
SS4110915TP	8	33	SS6121250TP	24	19	SS8660530TP	42	7
SS4120615SP	2	70	SS6121610SP	18	55	SS8660610TP	6	24
SS4120615SP	4	70	SS6121860SP	16	16	SS8660610TP	14	64
SS4120615SP	14	63	SS6660610TP	26	20	SS8660610TP	16	59
SS4120615SP	24	30	SS6661110SP	6	44	SS8660610TP	18	59
SS4120615SP	34	13	SS6700710SH	36	5	SS8660810TP	8	23
SS4120915SP	2	12	SS7080510TP	8	10	SS8681650TP	6	16
SS4120915SP	8	28	SS7081310SP	38	23	SS9111113TP	24	37
SS4120915SP	30	15	SS7090410SP	32	10	SS9151160CP	42	13
SS4120915SP	38	2	SS7090610SP	26	42	SS9151540SR	42	11
SS4120915SP	42	17	SS7090620TP	14	52	SS9661120CP	42	15
SS4121015SP	2	4	SS7090910SP	20	17	TA0850604R0	2	9
SS4121015SP	32	23	SS7090910TP	22	50	TA0850604R0	20	27
SS4150915SP	12	46	SS7110350SP	38	18	TA1250406R0	4	56
SS4150915SP	26	47	SS7110570SP	20	19	TA1250705R0	2	10
SS4150915SP	30	32	SS7110710SP	38	7	TA1470702R0	2	16
SS4150915SP	34	39	SS7110740TP	14	60	TA1470704R0	2	19
SS4150915SP	38	3	SS7110740TP	16	43	TA1750502R0	24	20
SS4151215SP	28	56	SS7110740TP	30	24	TA2000502R0	2	20



## NUMERICAL INDEX OF PARTS

PART NO	PAGE	REF NO.
TA2101002R0	2	22
WP0450801SD	6	31
WP0450826SC	38	29
WP0480856SP	16	42
WP0480856SP	38	6
WP0553216SD	30	14
WP0600816SP	24	8
WP0621016SD	36	29
WP0621016SD	44	58
WP0621016SH	26	32
WP0650816SP	12	21
WP0661016SP	12	23
WP0671016SE	44	48
WP0722316SH	30	34
WP1221016SP	32	5
WP1612616SE	40	19
WP1703001SC	30	27
WS0451040KP	34	37
WS0510002KN	40	16
WS0621210KR	42	47
WS0641560KR	42	33
WS0651310KP	34	38
WS1643202KR	40	20
WT0530002KS	2	21