

MODEL : DLN-5410 SERIES

List No : 0902-01

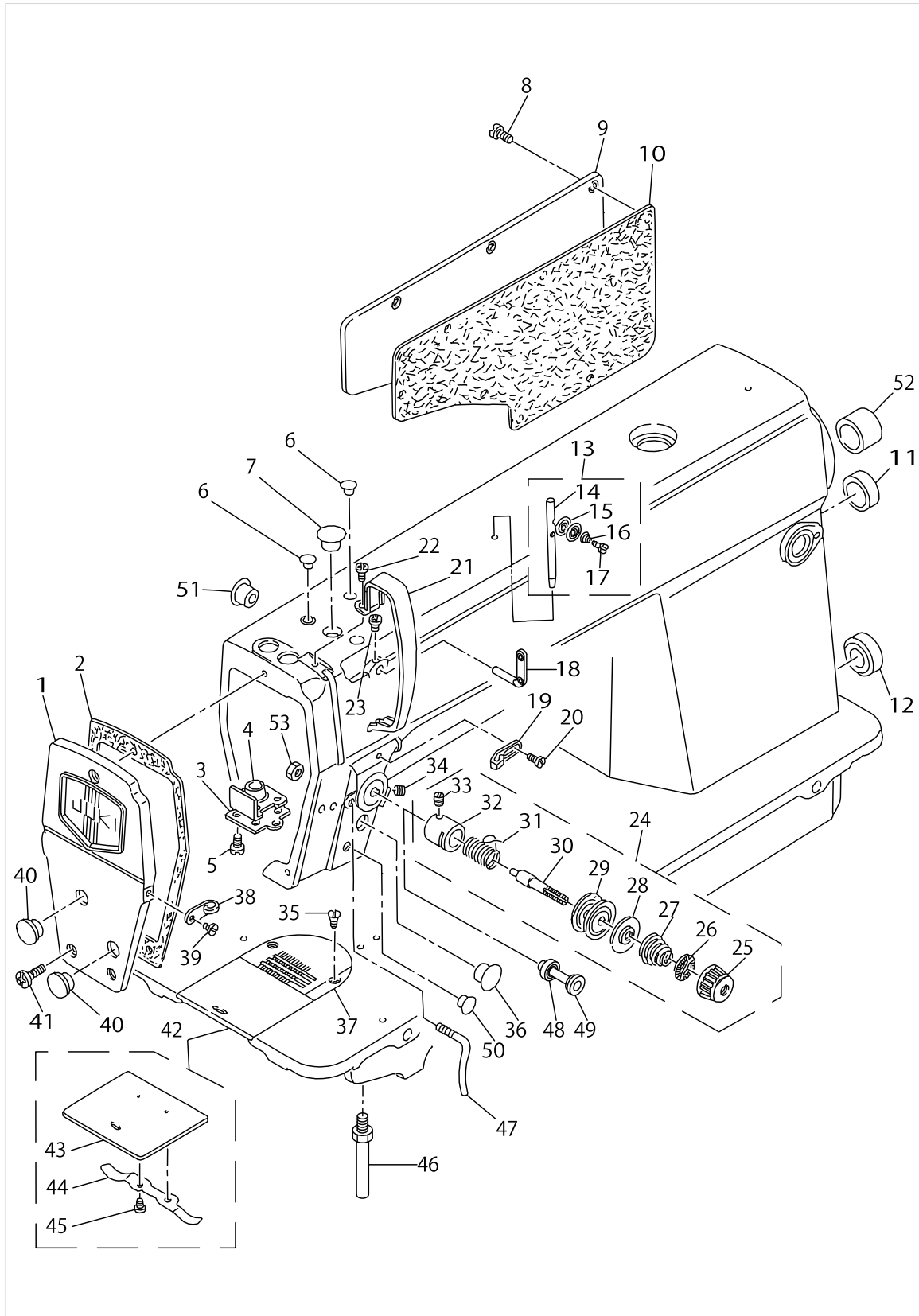
PARTS LIST

Published:09/10/2017

CONTENTS

| | |
|---|----|
| MACHINE FRAME & MISCELLANEOUS COVER COMPONENTS | 1 |
| MAIN SHAFT COMPONENTS | 5 |
| NEEDLE BAR, UPRIGHT SHAFT & HOOK DRIVING SHAFT COMPONENTS | 7 |
| HAND LIFTER COMPONENTS | 9 |
| FEED MECHANISM COMPONENTS..... | 11 |
| NEEDLE BAR FRAME COMPONENTS..... | 15 |
| OIL LUBRICATION COMPONENTS | 17 |
| OIL RESERVOIR COMPONENTS | 19 |
| BELT COVER & BOBBIN COMPONENTS..... | 21 |
| THREAD STAND COMPONENTS..... | 23 |
| EXCLUSIVE PARTS FOR DLN-5410H..... | 25 |
| EXCLUSIVE PARTS FOR DLN-5410L | 27 |
| HOW TO MAKE USE OF THIS PARTS LIST | 29 |

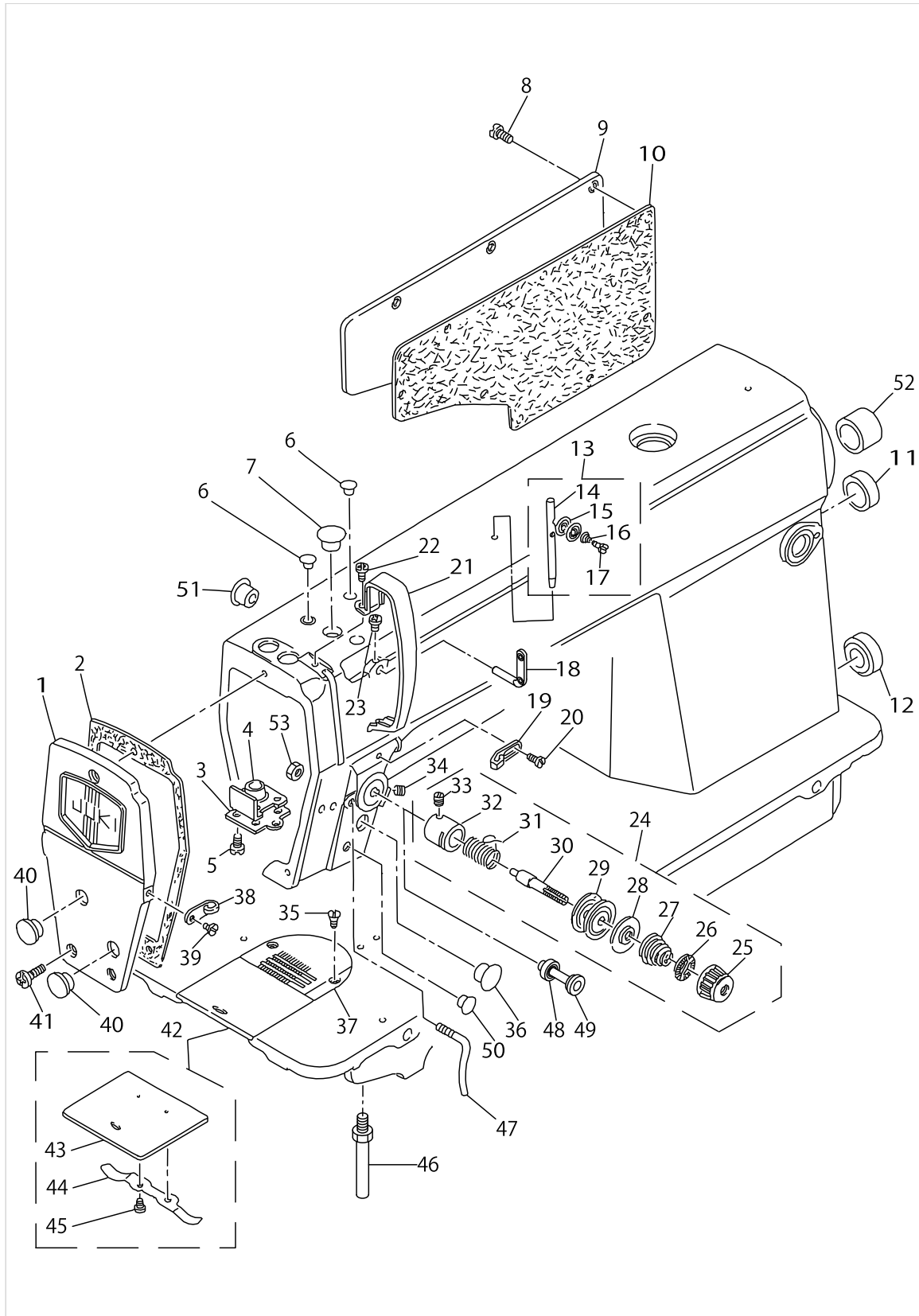
MACHINE FRAME & MISCELLANEOUS COVER COMPONENTS



MACHINE FRAME & MISCELLANEOUS COVER COMPONENTS

| No. | Parts No. | Parts name | Remarks | Level | Cons | Qty |
|-----|-------------|------------------------------|---------|-------|------|-----|
| 1 | 11300258 | FACE PLATE ASM. | | | | 1 |
| 2 | 11300506 | FACE PLATE GASKET | | | | 1 |
| 3 | 11300407 | PRESSER BAR SUPPORT | | | | 1 |
| 4 | 11300605 | GASKET | | | | 1 |
| 5 | SS1120710SP | SCREW 3/16-28 L=6.5 | | | | 4 |
| 6 | TA0850604R0 | RUBBER PLUG | | | | 2 |
| 7 | TA1250705R0 | RUBBER PLUG | | | | 1 |
| 8 | SS4120915SP | SCREW 3/16-28 L=9 | | | | 8 |
| 9 | 11000510 | SIDE PLATE | | | | 1 |
| 10 | 11000619 | GASKET | | | | 1 |
| 11 | TA2000502R0 | RUBBER PLUG | | | | 1 |
| 12 | TA2101002R0 | RUBBER PLUG | | | | 1 |
| 13 | B11131550A0 | NEEDLE THREAD GUIDE PIN ASM. | | | | 1 |
| 14 | B1113155000 | NEEDLE THREAD GUIDE PIN | | * | | 1 |
| 15 | B3148123000 | TENSION DISC | | * | | 2 |
| 16 | B3149123A00 | TENSION SPRING | | * | | 1 |
| 17 | SD0380552SL | HINGE SCREW D=3.8 H=5.5 | | * | | 1 |
| 18 | 11018702 | TWO-HOLE THREAD EYELET | | | | 1 |
| 19 | 11018504 | ARM THREAD GUIDE A | | | | 1 |
| 20 | 11001500 | SCREW | | | | 1 |
| 21 | 11000700 | THREAD TAKE-UP LEVER COVER | | | | 1 |
| 22 | SS4120615SP | SCREW 3/16-28 L=6 | | | | 1 |
| 23 | SS4120615SP | SCREW 3/16-28 L=6 | | | | 1 |
| 24 | 11018959 | THREAD TENSION ASM. | | | | 1 |
| 25 | 11018900 | TENSION NUT | | * | | 1 |
| 26 | B3120125000 | ROTATING STOPPER | | * | | 1 |
| 27 | B3129012A00 | TENSION SPRING | | * | | 1 |
| 28 | B3132552000 | THREAD TENSION DISK PRESSER | | * | | 1 |
| 29 | B3126012000 | THREAD TENSION DISK | | * | | 2 |
| 30 | B3115552000 | TENSION POST | | * | | 1 |
| 31 | B3128012000 | TAKE-UP SPRING | | * | | 1 |
| 32 | B3111552B00 | TENSION POST SOCKET | | * | | 1 |
| 33 | SS8090670SP | SCREW 9/64-40 L= 5.5 | | * | | 1 |
| 34 | SS8150710SP | SCREW 15/64-28 L=7 | | | | 1 |
| 35 | SS2110920TP | SCREW 11/64-40 L=8.5 | | | | 2 |
| 36 | TA1250504R0 | RUBBER PLUG | | | | 1 |
| 37 | 11300308 | THROAT PLATE | | | | 1 |
| 38 | 11018603 | ARM THREAD GUIDE B | | | | 1 |
| 39 | SS6110610TP | SCREW 11/64-40 L=6 | | | | 1 |
| 40 | TA1250406R0 | RUBBER PLUG D=12.5 L=4 | | | | 2 |
| 41 | SS4121015SP | SCREW 3/16-28 L=10 | | | | 3 |
| 42 | 11001658 | BED SLIDE ASM. | | | | 1 |
| 43 | B1110012000 | SLIDE PLATE | | * | | 1 |
| 44 | 11001609 | BED SLIDE SPRING | | * | | 1 |
| 45 | SS6060210SP | SCREW 3/32-56 L= 1.9 | | * | | 2 |
| 46 | 11001104 | BED SCREW STUD | | | | 4 |
| 47 | 11305513 | ARM THREAD GUIDE, C | | | | 1 |

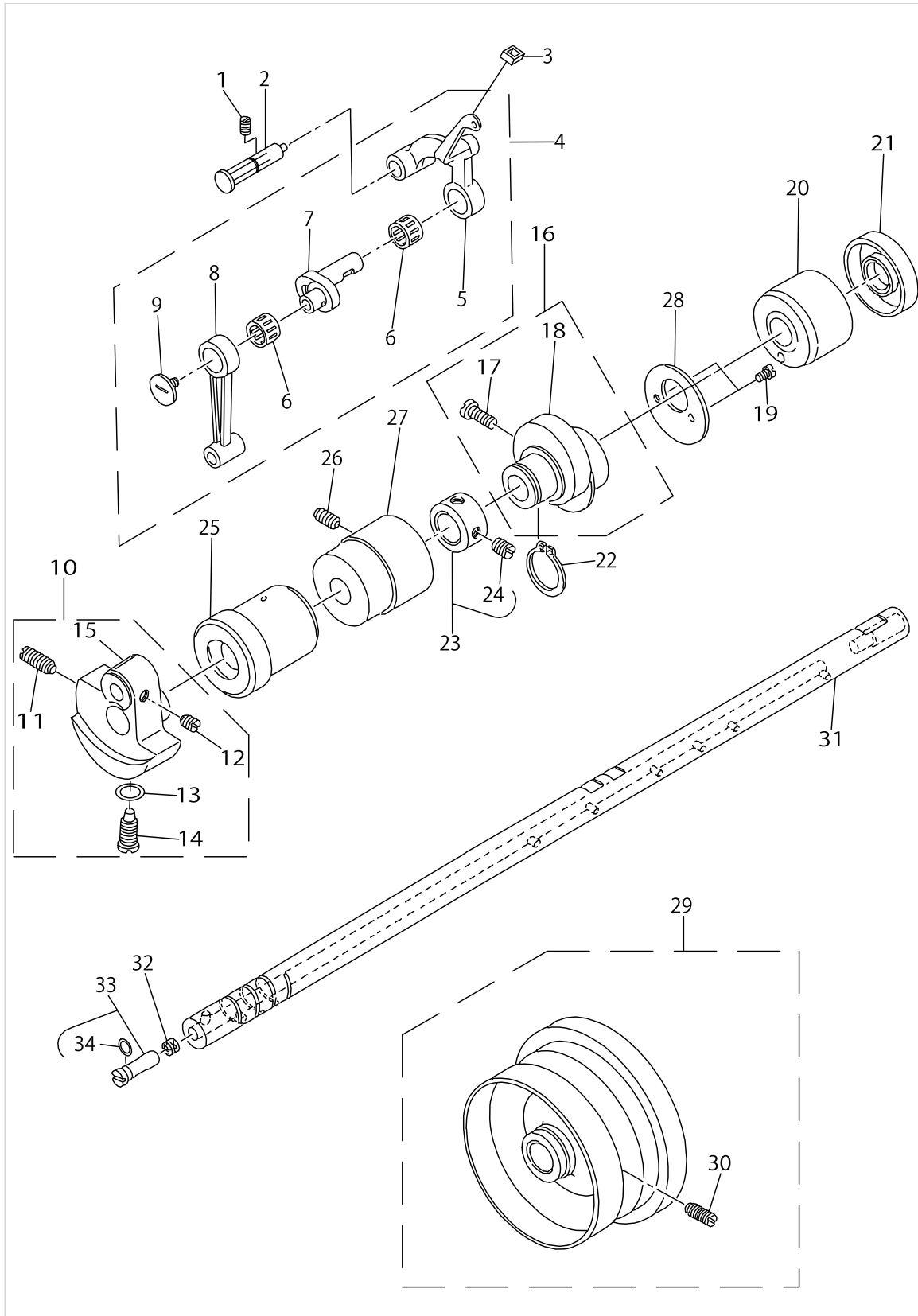
MACHINE FRAME & MISCELLANEOUS COVER COMPONENTS



MACHINE FRAME & MISCELLANEOUS COVER COMPONENTS

| No. | Parts No. | Parts name | Remarks | Level | Cons | Qty |
|-----|-------------|-------------------------|---------|-------|------|-----|
| 48 | B31334150A0 | TENSION RELEASE PIN CAP | | | | 1 |
| 49 | B3136415000 | CAP RING | | | | 1 |
| 50 | TA0850604R0 | RUBBER PLUG | | | | 1 |
| 51 | TA1250504R0 | RUBBER PLUG | | | | 1 |
| 52 | TA2101002R0 | RUBBER PLUG | | | | 1 |
| 53 | NS6090310SP | NUT 9/64-40 | | | | 1 |

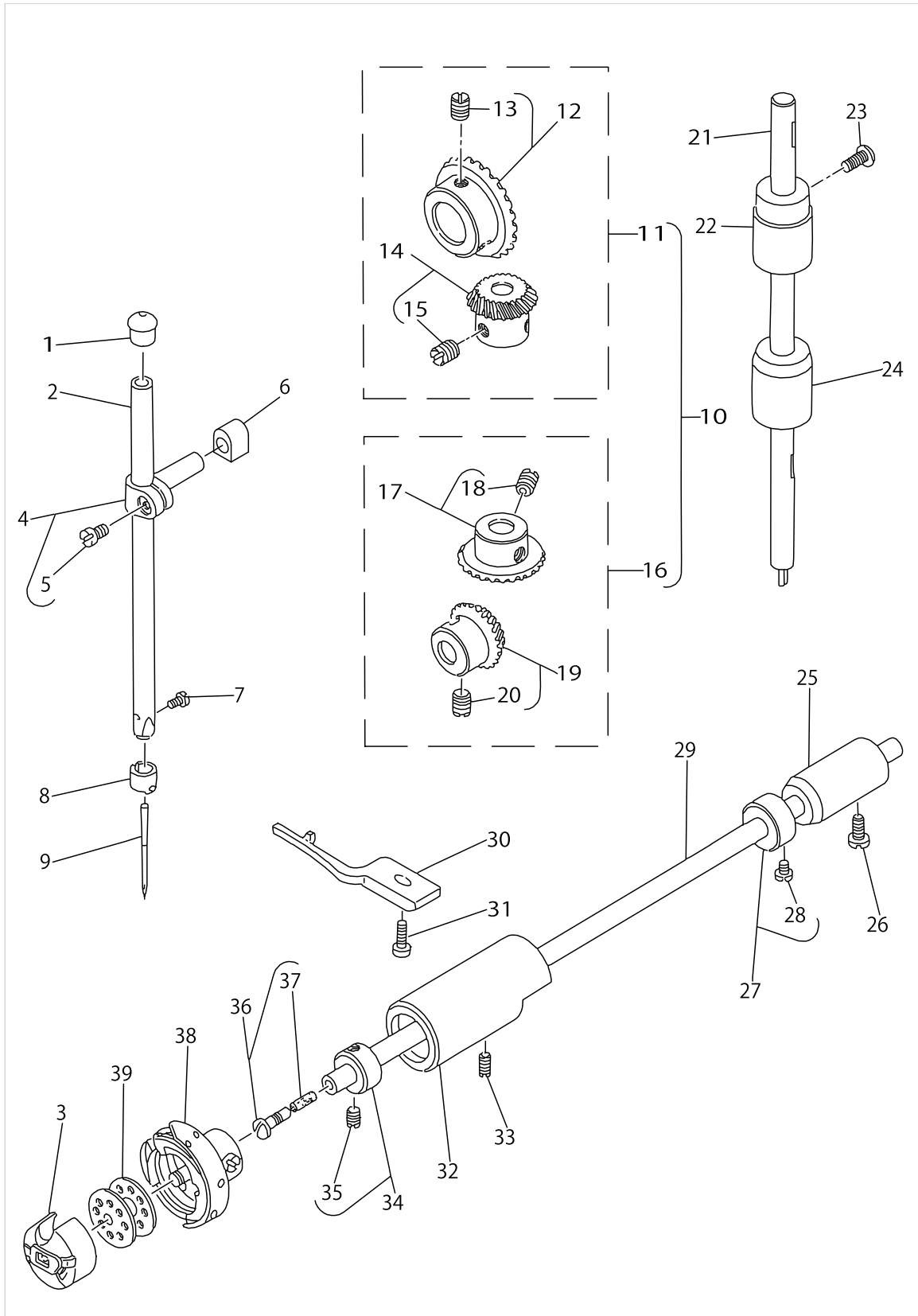
MAIN SHAFT COMPONENTS



MAIN SHAFT COMPONENTS

| No. | Parts No. | Parts name | Remarks | Level | Cons | Qty |
|-----|--------------|--------------------------------|----------------|-------|------|-----|
| 1 | SS8151150SP | SCREW 15/64-28 L=10.5 | | | | 1 |
| 2 | 11017357 | THREAD TAKE-UP CRANK SHAFT ASM | | | | 1 |
| 3 | B1909505000 | RUBBER | | | | 1 |
| 4 | 11039070 | THREAD TAKE-UP LEVER ASM. | | | | 1 |
| 5 | 11039062 | THREAD TAKE-UP LEVER ASM. | | * | | 1 |
| 6 | B1905541B00 | NEEDLE BEARING | SELECTIVE PART | * | | 2 |
| 7 | 11005204 | NEEDLE BAR CRANK | | * | | 1 |
| 8 | B1408552000 | NEEDLE BAR CRANK ROD | | * | | 1 |
| 9 | B1903552000 | LEFT SCREW | | * | | 1 |
| 10 | 11002169 | COUNTERWEIGHT ASM. | | | | 1 |
| 11 | SS8681650TP | SCREW 9/32-28 L=16 | | * | | 1 |
| 12 | SS8660610TP | SCREW 1/4-40 L=6 | | * | | 2 |
| 13 | RO044240100 | RUBBER RING | | * | | 1 |
| 14 | SS7681650TP | SCREW 9/32-28 L=16 | | * | | 1 |
| 15 | 11002102 | COUNTERWEIGHT | | * | | 1 |
| 16 | 11302353 | FEED DRIVE ECCENTRIC CAM ASM. | | | | 1 |
| 17 | SS6661110SP | SCREW 1/4-40 L=11 | | * | | 2 |
| 18 | 11302304 | FEED DRIVE ECCENTRIC CAM | | * | | 1 |
| 19 | SS6090650SP | SCREW 9/64-40 L=6 | | | | 2 |
| 20 | 11002805 | MAIN SHAFT BUSHING, REAR | | | | 1 |
| 21 | 11002508 | OIL SEAL | | | | 1 |
| 22 | RC1850001KP | SNAP RING 18.5 | | | | 1 |
| 23 | CS147121ASH | THRUST COLLAR ASM.D=14.72 W=12 | | | | 1 |
| 24 | SS8660610TP | SCREW 1/4-40 L=6 | | * | | 2 |
| 25 | 11300902 | BUSHING, FRONT | | | | 1 |
| 26 | SS8150912TH | SCREW 15/64-28 L=9 | | | | 1 |
| 27 | 11202306 | BUSHING, INTERMEDIATE | | | | 1 |
| 28 | 11008109 | THRUST COLLAR | | | | 1 |
| 29 | 11002656 | FLY WHEEL | | | | 1 |
| 30 | SS8151550SP | SCREW 15/64-28 L=15 | | * | | 2 |
| 31 | 11002003 | MAIN SHAFT | | | | 1 |
| 32 | 11002904 | ROLLER FELT | | | | 1 |
| 33 | B12135520A0A | OIL AMOUNT ADJUSTING PIN ASM. | | | | 1 |
| 34 | RO029180100 | RUBBER RING | | | | 1 |

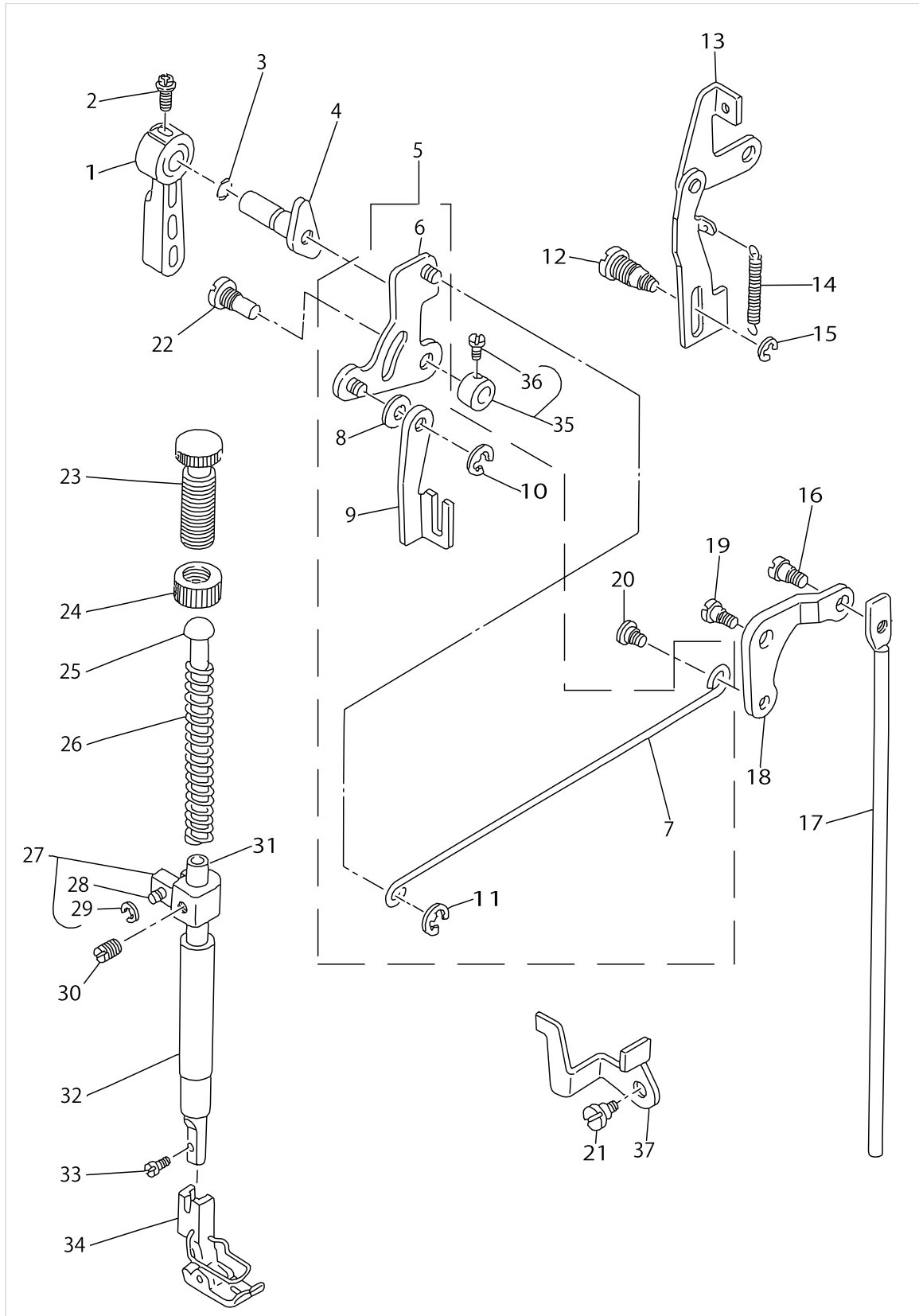
NEEDLE BAR, UPRIGHT SHAFT & HOOK DRIVING SHAFT COMPONENTS



NEEDLE BAR, UPRIGHT SHAFT & HOOK DRIVING SHAFT COMPONENTS

| No. | Parts No. | Parts name | Remarks | Level | Cons | Qty |
|-----|-------------|--------------------------------|---------|-------|------|-----|
| 1 | TA1250804R0 | RUBBER PLUG | | | | 1 |
| 2 | 11301009 | NEEDLE BAR, A | | | | 1 |
| 3 | B18370120A0 | BOBBIN CASE ASM. | | | | 1 |
| 4 | B14115520A0 | NEEDLE ROD HOLDER ASM. | | | | 1 |
| 5 | SS6090670TP | SCREW 9/64-40 L=6 | | * | | 1 |
| 6 | B1414226000 | SLIDE BLOCK | | | | 1 |
| 7 | SS7080510TP | SCREW 1/8-44 L=4.5 | | | | 1 |
| 8 | B1418552A00 | NEEDLE THREAD GUIDE A | | | | 1 |
| 9 | MDB100B1400 | NEEDLE DBX1 #14 | | | | 1 |
| 10 | B13061550C0 | GEAR & PINION ASM. | | | | 1 |
| 11 | B13061550B0 | GEAR & PINION ASM., UPPER | | * | | 1 |
| 12 | B13050120A0 | GEAR ASM. | | * | | 1 |
| 13 | SS8660810TP | SCREW 1/4-40 L=8 | | * | | 2 |
| 14 | B13061550A0 | PINION ASM. | | * | | 1 |
| 15 | SS8660810TP | SCREW 1/4-40 L=8 | | * | | 2 |
| 16 | B13071550B0 | GEAR & PINION ASM., LOWER | | * | | 1 |
| 17 | B13071550A0 | GEAR ASM. LARGE | | * | | 1 |
| 18 | SS8660810TP | SCREW 1/4-40 L=8 | | * | | 2 |
| 19 | B13081550A0 | PINION ASM. | | * | | 1 |
| 20 | SS8660810TP | SCREW 1/4-40 L=8 | | * | | 2 |
| 21 | 11004009 | UPRIGHT SHAFT | | | | 1 |
| 22 | 11004306 | BUSHING, UPPER | | | | 1 |
| 23 | SS4120915SP | SCREW 3/16-28 L=9 | | | | 1 |
| 24 | 11004207 | UPRIGHT SHAFT BUSHING, LOWER | | | | 1 |
| 25 | 11015807 | BUSHING, REAR | | | | 1 |
| 26 | SS4120915SP | SCREW 3/16-28 L=9 | | | | 1 |
| 27 | CS079101ASH | THRUST COLLAR ASM. D=7.94 W=10 | | | | 1 |
| 28 | SS6110420TP | SCREW 11/64-40 L=4.8 | | * | | 2 |
| 29 | 11015005 | HOOK DRIVING SHAFT | | | | 1 |
| 30 | 11038809 | BOBBIN CASE HOLDER | | | | 1 |
| 31 | SS6111010SP | SCREW 11/64-40 L= 9.5 | | | | 1 |
| 32 | 11015104 | BUSHING ASM., FRONT | | | | 1 |
| 33 | SS8150432TH | SCREW 15/64-28 L=4 | | | | 1 |
| 34 | CS079073ASH | THRUST COLLAR ASM. | | | | 1 |
| 35 | SS8110410TP | SCREW 11/64-40 L= 3.5 | | * | | 2 |
| 36 | B18085520A0 | OIL SEAL SCREW ASM. | | | | 1 |
| 37 | B1810552000 | OIL WICK | | * | | 1 |
| 38 | B18304150A0 | HOOK ASM. | | | | 1 |
| 39 | B9117012000 | BOBBIN | | | | 1 |

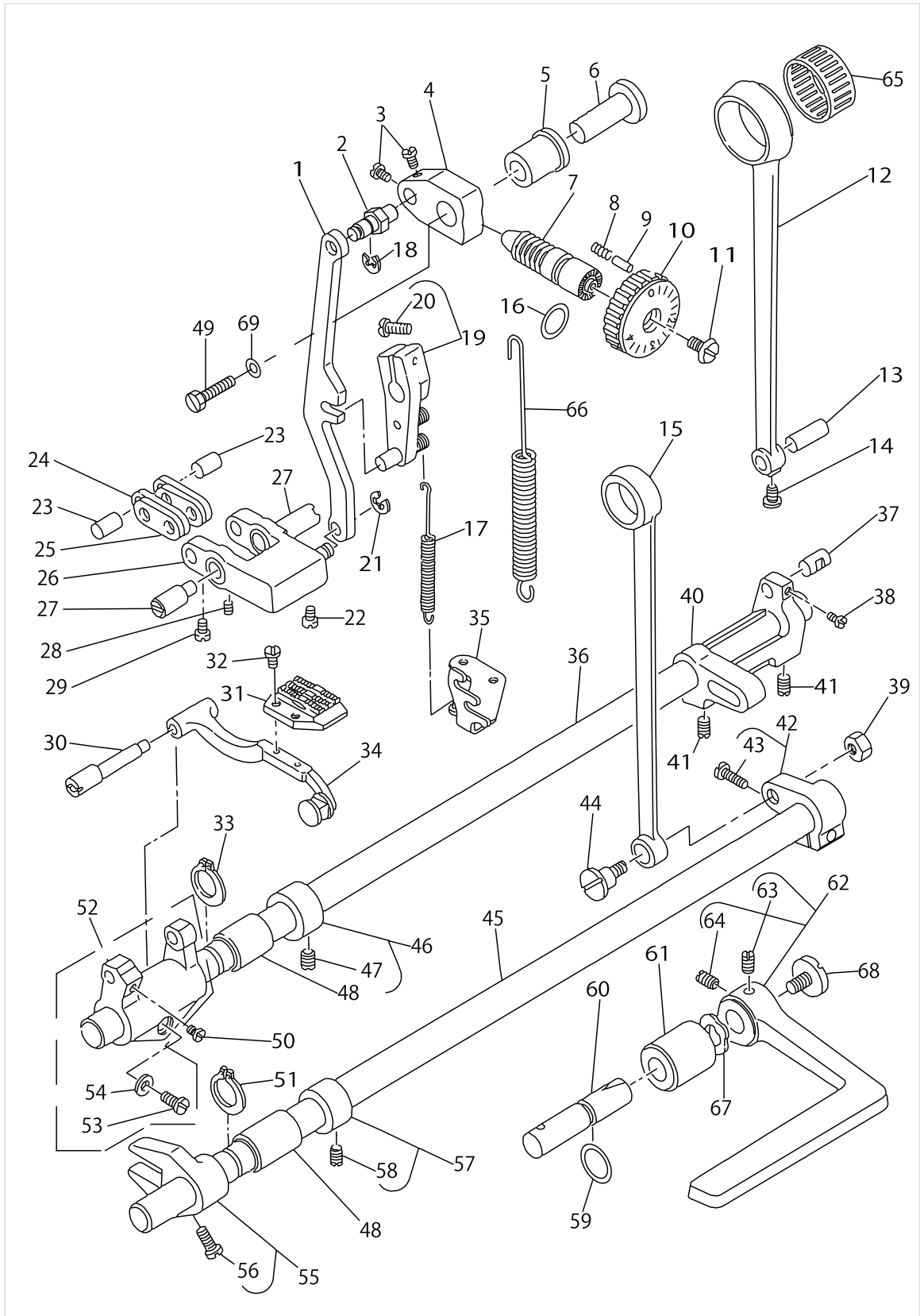
HAND LIFTER COMPONENTS



HAND LIFTER COMPONENTS

| No. | Parts No. | Parts name | Remarks | Level | Cons | Qty |
|-----|--------------|-------------------------------|---------|-------|------|-----|
| 1 | B1520552000A | HAND LIFTER | | | | 1 |
| 2 | B1521555000 | SCREW | | | | 1 |
| 3 | RO037180100 | RUBBER RING | | | | 1 |
| 4 | 11006756 | HAND LIFTER CAM ASM. | | | | 1 |
| 5 | 11301652 | LIFTING LEVER ASM. | | | | 1 |
| 6 | 11006350 | HAND LIFTER LINK | | * | | 1 |
| 7 | 11006905 | LIFTING LEVER CONNECTING ROD | | * | | 1 |
| 8 | WP0650876SD | WASHER 6.5X13X0.8 | | * | | 1 |
| 9 | 11301603 | LIFTING LEVER | | * | | 1 |
| 10 | RE0500000K0 | E-RING | | * | | 1 |
| 11 | RE0500000K0 | E-RING | | * | | 1 |
| 12 | 11306107 | TENSION RELEASE PLATE SHAFT | | | | 1 |
| 13 | 11305653 | TENSION RELEASE PLATE ASM. | | | | 1 |
| 14 | 11305901 | SPRING | | | | 1 |
| 15 | RE0300000K0 | E-RING 3 | | | | 1 |
| 16 | SD0600322SD | HINGE SCREW D=6 H=3.2 | | | | 1 |
| 17 | 11205408 | CONNECTING ROD | | | | 1 |
| 18 | 11205309 | LIFTING LEVER LINK | | | | 1 |
| 19 | SD0720331SP | HINGE SCREW D= 7.24 H= 3.3 | | | | 1 |
| 20 | 11007101 | HINGE SCREW | | | | 1 |
| 21 | SD0640261SP | HINGE SCREW D=3.65 H=2.6 | | | | 1 |
| 22 | 11301702 | LINK SHAFT | | | | 1 |
| 23 | B1509555000 | PRESSER SPRING REGULATOR | | | | 1 |
| 24 | B1511555000 | NUT | | | | 1 |
| 25 | B1510227000 | PRESSER GUIDE BAR | | | | 1 |
| 26 | B1505227000A | PRESSER SPRING | | | | 1 |
| 27 | 11301355 | NEEDLE BAR GUIDE BRACKET ASM. | | | | 1 |
| 28 | 11301405 | PIN | | * | | 1 |
| 29 | RE0300000K0 | E-RING 3 | | * | | 2 |
| 30 | SS8660610TP | SCREW 1/4-40 L=6 | | | | 1 |
| 31 | B1501127000 | PRESSER BAR | | | | 1 |
| 32 | B1502541000 | PRESSER BAR BUSHING, LOWER | | | | 1 |
| 33 | SS7091110SP | SCREW 9/64-40 L=10.5 | | | | 1 |
| 34 | D1524415BBA | PRESSER FOOT ASM. | | | | 1 |
| 35 | CS064061ASP | THRUST COLLAR ASM. | | | | 1 |
| 36 | SS7090620TP | SCREW 9/64-40 L=6.1 | | * | | 1 |
| 37 | 11305703 | TENSION RELEASE LINK, A | | | | 1 |

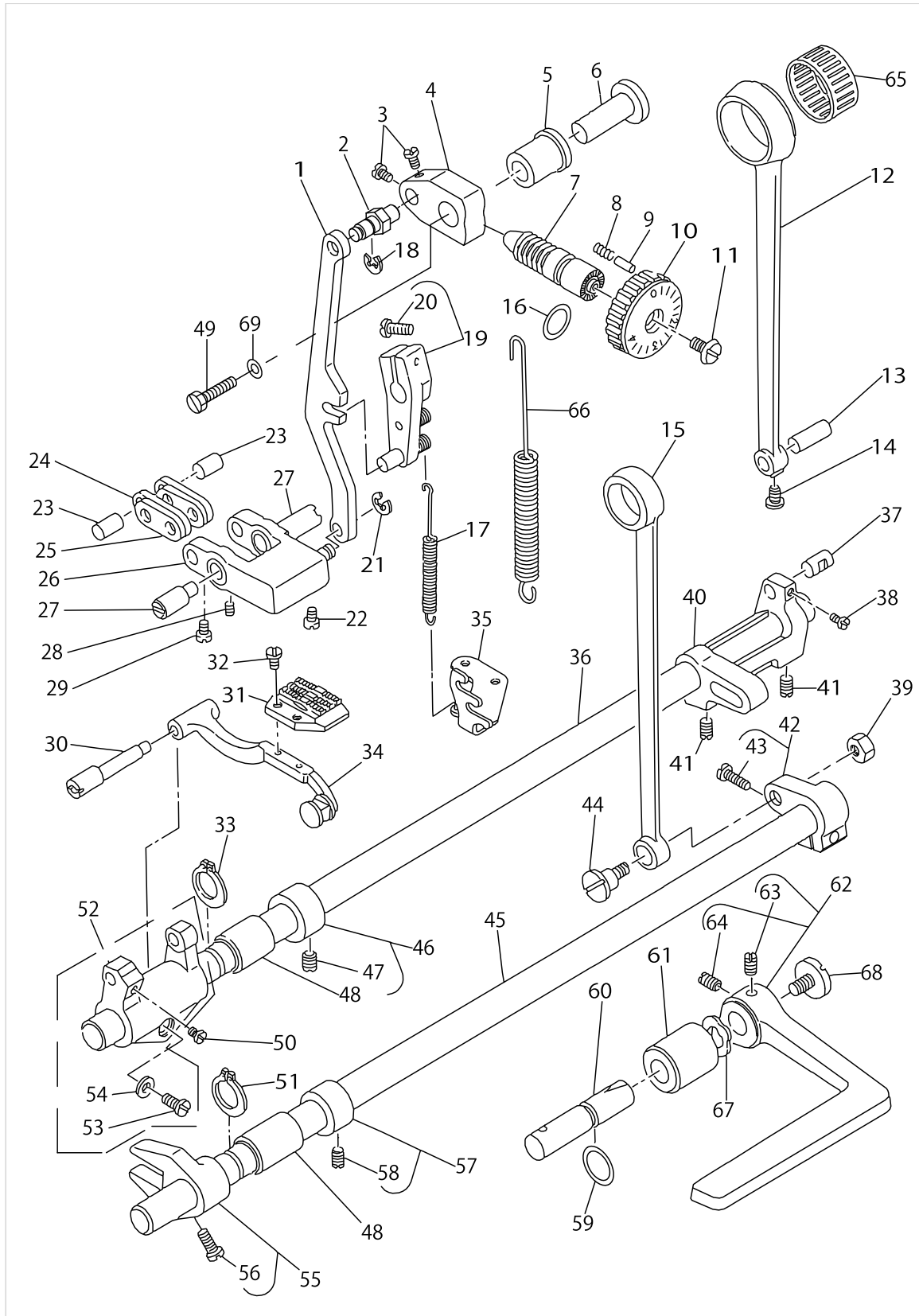
FEED MECHANISM COMPONENTS



FEED MECHANISM COMPONENTS

| No. | Parts No. | Parts name | Remarks | Level | Cons | Qty |
|-----|-------------|--------------------------------|---------|-------|------|-----|
| 1 | 11302106 | FEED ADJUST ROD | | | | 1 |
| 2 | 11302817 | PIN | | | | 1 |
| 3 | SS6090560TP | SCREW 9/64-40 L=4.5 | | | | 2 |
| 4 | 11303328 | FEED REGULATOR BUSHING | | | | 1 |
| 5 | 11011509 | FEED REGULATOR BUSHING | | | | 1 |
| 6 | 11385127 | FEED REGULATOR SHAFT | | | | 1 |
| 7 | 11009909 | FEED REGULATOR SCREW | | | | 1 |
| 8 | B1148555000 | SPRING | | | | 1 |
| 9 | 11052701 | PIN | | | | 1 |
| 10 | 11302007 | FEED REGULATOR | | | | 1 |
| 11 | SS6120930TP | SCREW 3/16-28 L=9 | | | | 1 |
| 12 | 11302411 | ROCKER SHAFT CONNECTING ROD | | | | 1 |
| 13 | 11009206 | WALKING FOOT PIN C | | | | 1 |
| 14 | SS6090620SP | SCREW 9/64-40 L=6 | | | | 1 |
| 15 | 11014008 | CONNECTING ROD | | | | 1 |
| 16 | RO092270200 | RUBBER RING | | | | 1 |
| 17 | 11305000 | SPRING | | | | 1 |
| 18 | RE0500000K0 | E-RING | | | | 1 |
| 19 | 11302254 | FEED REVERSE ARM ASM. | | | | 1 |
| 20 | SS6121250TP | SCREW 3/16-28 L=11.5 | | * | | 1 |
| 21 | RE0500000K0 | E-RING | | | | 1 |
| 22 | SS6151220SP | SCREW 15/64-28 L=11.5 | | | | 1 |
| 23 | 11009008 | WALKING FOOT PIN A | | | | 2 |
| 24 | 11303005 | CONNECTING LINK, B | | | | 2 |
| 25 | 11302908 | CONNECTING LINK, A | | | | 2 |
| 26 | 11303161 | FEED ADJUST LINK ASM. | | | | 1 |
| 27 | 11008802 | ADJUSTING LINK FULCRUM SHAFT A | | | | 2 |
| 28 | SS8150710SP | SCREW 15/64-28 L=7 | | | | 1 |
| 29 | SS6090620SP | SCREW 9/64-40 L=6 | | | | 2 |
| 30 | 11011103 | FEED BAR SHAFT | | | | 1 |
| 31 | D1609415B00 | FEED DOG | | | | 1 |
| 32 | SS4080620TP | SCREW 1/8-44 L=6 | | | | 2 |
| 33 | RC0150001KP | RETAINING RING 13.8 | | | | 1 |
| 34 | 11011251 | FEED BAR ASM. | | | | 1 |
| 35 | 11301900 | FEED SPRING HOOK | | | | 1 |
| 36 | 11010808 | FEED ROCKER SHAFT | | | | 1 |
| 37 | 11009107 | WALKING FOOT PIN B | | | | 1 |
| 38 | SS6090620SP | SCREW 9/64-40 L=6 | | | | 1 |
| 39 | NS6680410SP | NUT 9/32-28 | | | | 1 |
| 40 | 11302502 | FEED ROCKER SHAFT CRANK | | | | 1 |
| 41 | SS8681130SP | SCREW 9/32-28 L=11 | | | | 2 |
| 42 | 11014156 | REAR CRANK ASM. | | | | 1 |
| 43 | SS7121610SP | SCREW 3/16-28 L=15.5 | | * | | 1 |
| 44 | SD1000801SH | HINGE SCREW D=10 H=8 | | | | 1 |
| 45 | 11014206 | FEED DRIVING SHAFT | | | | 1 |
| 46 | CS147121ASH | THRUST COLLAR ASM.D=14.72 W=12 | | | | 1 |
| 47 | SS8660610TP | SCREW 1/4-40 L=6 | | * | | 2 |

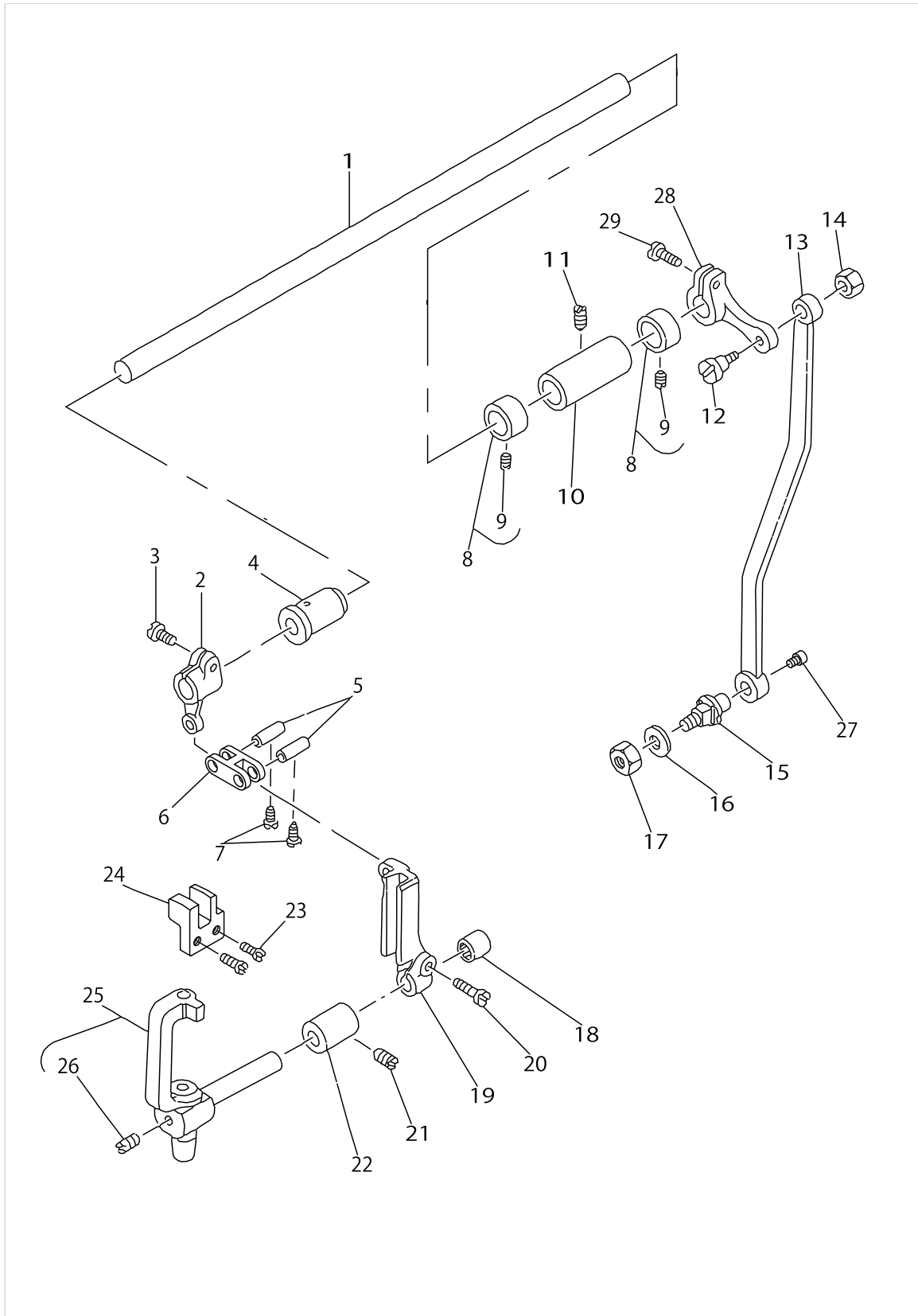
FEED MECHANISM COMPONENTS



FEED MECHANISM COMPONENTS

| No. | Parts No. | Parts name | Remarks | Level | Cons | Qty |
|-----|-------------|--------------------------------|-----------------|-------|------|-----|
| 48 | 11010907 | FEED ROCKER SHAFT BUSHING | | | | 2 |
| 49 | SS9661120CP | SCREW 1/4-40 L=10.5 | | | | 1 |
| 50 | SS7110740TP | SCREW 11/64-40 L=7 | | | | 1 |
| 51 | RC0150001KP | RETAINING RING 13.8 | | | | 1 |
| 52 | 11011053 | FEED ROCKER ASM. | | | | 1 |
| 53 | SS7121410TP | SCREW 3/16-28 L=14 | | * | | 1 |
| 54 | WP0480856SP | WASHER 4.8X8.4X0.8 | | * | | 1 |
| 55 | 11014354 | DRIVING SHAFT CRANK ASM. | | | | 1 |
| 56 | SS7111120SP | SCREW 11/64-40 L=10.5 | | * | | 1 |
| 57 | CS147121ASH | THRUST COLLAR ASM.D=14.72 W=12 | | | | 1 |
| 58 | SS8660610TP | SCREW 1/4-40 L=6 | | * | | 2 |
| 59 | RO078190100 | RUBBER RING | | | | 1 |
| 60 | 11053105 | FEED REVERSE SHAFT | | | | 1 |
| 61 | 11010709 | FEED LEVER METAL | | * | | 1 |
| 62 | 11010659 | REVERSE FEED CONTROL LEVER ASM | | | | 1 |
| 63 | SS8661040TP | SCREW 1/4-40 L=10 | | * | | 1 |
| 64 | SS8661030SP | SCREW 1/4-40 L=10 | | * | | 1 |
| 65 | B1636581C00 | NEEDLE BEARING | SELSECTIVE PART | | | 1 |
| 66 | 11302619 | SPRING | | | | 1 |
| 67 | WZ1250300K0 | WAVED WASHER 12.5X17X0.3 | | | | 1 |
| 68 | SS7620750SP | SCREW 3/16-32 L= 6.5 | | | | 1 |
| 69 | WP0702026SP | WASHER 7X15X2 | | | | 1 |

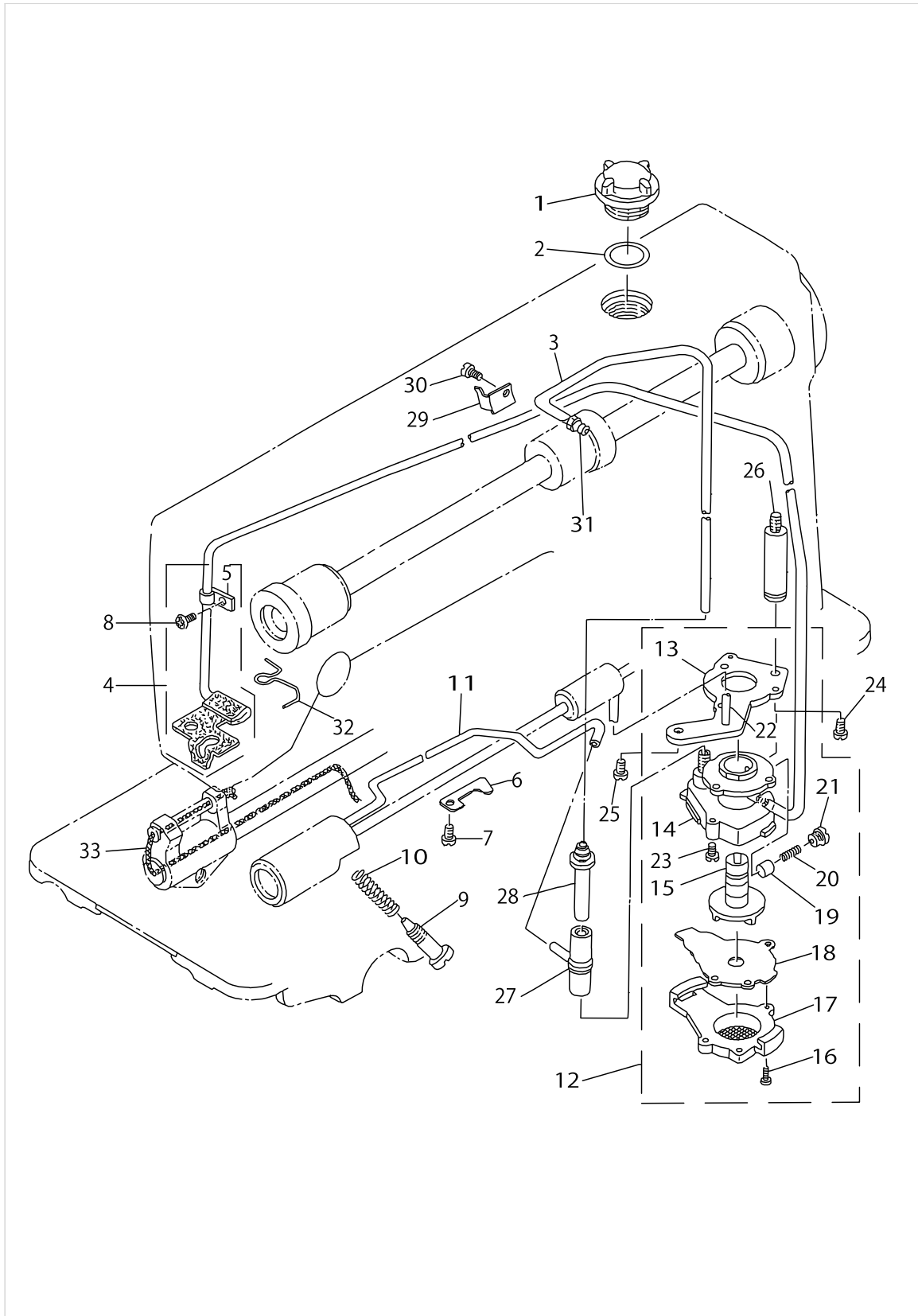
NEEDLE BAR FRAME COMPONENTS



NEEDLE BAR FRAME COMPONENTS

| No. | Parts No. | Parts name | Remarks | Level | Cons | Qty |
|-----|-------------|------------------------------|----------------|-------|------|-----|
| 1 | 11304409 | CONNECTING SHAFT | | | | 1 |
| 2 | 11304003 | DRIVING CRANK, FRONT | | | | 1 |
| 3 | SS6121220TP | SCREW 3/16-28 L=11.5 | | | | 1 |
| 4 | 11211000 | ROCK SHAFT BUSHING, FRONT | | | | 1 |
| 5 | B1412352B00 | NEEDLE BAR LINK PIN | SELECTIVE PART | | | 2 |
| 6 | B2906415000 | DRIVING LINK | | | | 1 |
| 7 | SS6090660TP | SCREW 9/64-40 L=6 | | | | 2 |
| 8 | CS120101BSH | THRUST COLLAR ASM. | | | | 2 |
| 9 | SS8660410SP | SCREW 1/4-40 L= 4.2 | | * | | 4 |
| 10 | 11210903 | ROCK SHAFT BUSHING, REAR | | | | 1 |
| 11 | SS8120740SP | SCREW 3/16-28 L=7 | | | | 1 |
| 12 | SD0790501SP | HINGE SCREW D=7.94 H=5 | | | | 1 |
| 13 | 11304201 | CONNECTING ROD | | | | 1 |
| 14 | NS6150310SP | NUT 15/64-28 | | | | 1 |
| 15 | 11304300 | CONNECTING ROD SHAFT | | | | 1 |
| 16 | WP0621016SD | WASHER 6.2X13X1 | | | | 1 |
| 17 | NS6150430SP | NUT 15/64-28 | | | | 1 |
| 18 | SB309000400 | BEARING | | | | 1 |
| 19 | 11303807 | SLIDE BLOCK GUIDE | | | | 1 |
| 20 | SS6121610SP | SCREW 3/16-28 L=15.5 | | | | 1 |
| 21 | SS8120740SP | SCREW 3/16-28 L=7 | | | | 1 |
| 22 | 11214509 | BUSHING | | | | 1 |
| 23 | SS6090810SP | SCREW 9/64-40 L= 7.5 | | | | 2 |
| 24 | 11303906 | NEEDLE BAR FRAME GUIDE | | | | 1 |
| 25 | 11303567 | NEEDLE ROD ROCKING BASE ASM. | | | | 1 |
| 26 | SS8110310SP | SCREW 11/64-40 L= 2.8 | | * | | 1 |
| 27 | SS6110640SP | SCREW 11/64-40 L=6 | | | | 1 |
| 28 | 11304102 | DRIVING CRANK, REAR | | | | 1 |
| 29 | SS6121220TP | SCREW 3/16-28 L=11.5 | | | | 1 |

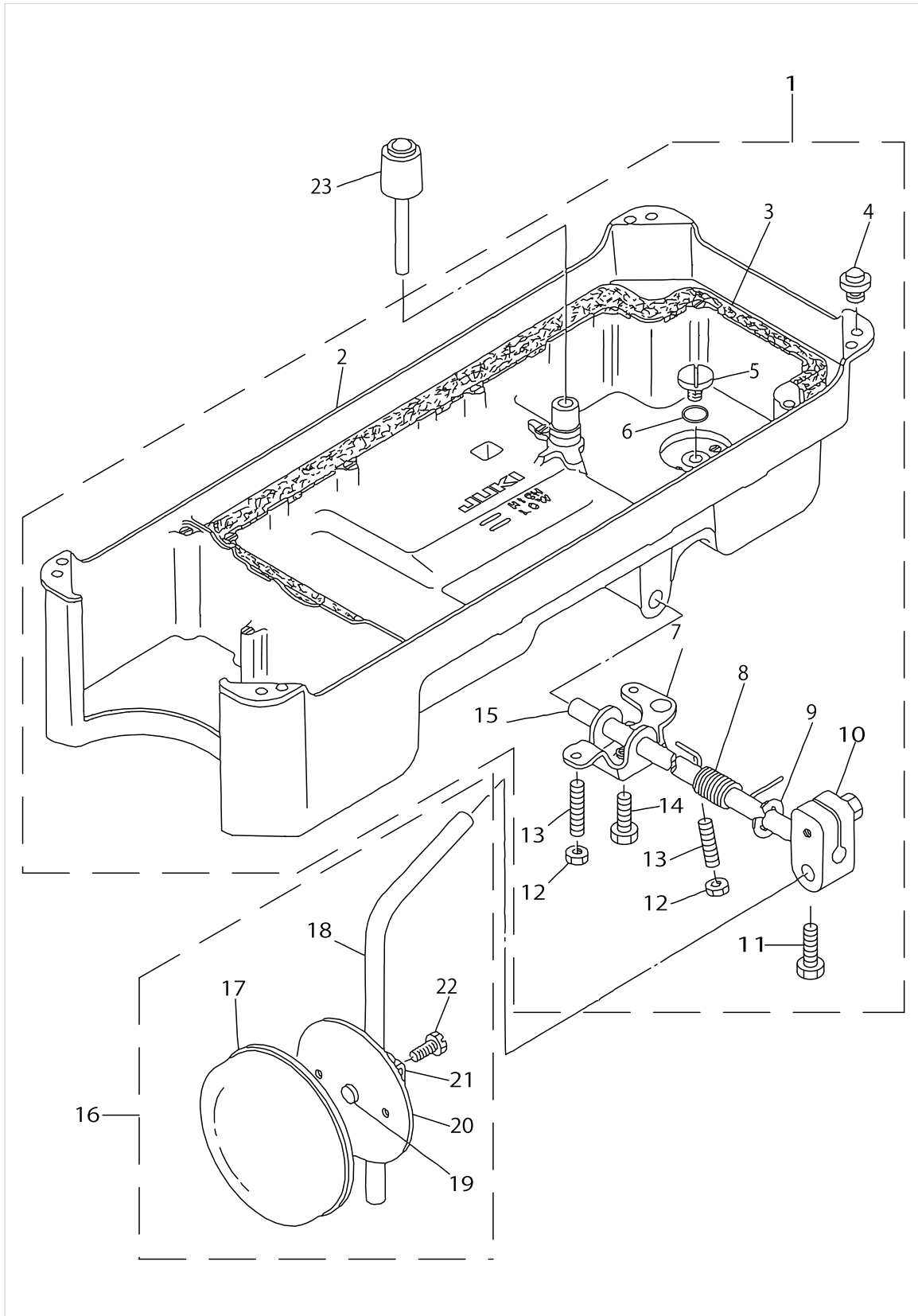
OIL LUBRICATION COMPONENTS



OIL LUBRICATION COMPONENTS

| No. | Parts No. | Parts name | Remarks | Level | Cons | Qty |
|-----|-------------|-----------------------------|---------|-------|------|------|
| 1 | B3530555000 | OIL SIGHT WINDOW | | | | 1 |
| 2 | RO195240100 | RUBBER RING | | | | 1 |
| 3 | BT0600402EA | OIL TUBE | | | | 0.26 |
| 4 | 11307154 | OIL RETURN TUBE ASM. | | | | 1 |
| 5 | B3536122000 | HOLDER | | * | | 1 |
| 6 | 11021706 | TUBE HOLDER (LOWER) | | | | 1 |
| 7 | SS4120615SP | SCREW 3/16-28 L=6 | | | | 1 |
| 8 | SS4120615SP | SCREW 3/16-28 L=6 | | | | 1 |
| 9 | B3514412000 | OIL ADJUSTING SCREW | | | | 1 |
| 10 | B2616372000 | SPRING | | | | 1 |
| 11 | 11307352 | OIL WICK ASM. | | | | 1 |
| 12 | 11020054 | LUBRICATING OIL PUMP ASM. | | | | 1 |
| 13 | 11020302 | OIL PUMP INSTALLING BASE | | * | | 1 |
| 14 | 11020005 | OIL PUMP | | * | | 1 |
| 15 | 11020708 | OIL PUMP IMPELLER | | * | | 1 |
| 16 | SE4301041SR | SCREW D=3 L=10 | | * | | 3 |
| 17 | 11020203 | LUBRICATING OIL PUMP COVER | | * | | 1 |
| 18 | 11020807 | OIL PUMP IMPELLER COVER | | * | | 1 |
| 19 | 11020401 | PLUNGER | | * | | 1 |
| 20 | 11020609 | PLUNGER SPRING | | * | | 1 |
| 21 | 11020500 | PLUNGER SCREW | | * | | 1 |
| 22 | 11020906 | HOOK DRIVING SHAFT OIL TUBE | | * | | 1 |
| 23 | SL4030851SF | SCREW M3 L=8 | | * | | 3 |
| 24 | SS6111010TP | SCREW 11/64-40 L= 9.5 | | | | 1 |
| 25 | SS4150915SP | SCREW 15/64-28 L=9 | | | | 1 |
| 26 | 11392107 | OIL PUMP SUPPORT | | | | 1 |
| 27 | 11021409 | RUBBER JOINT | | | | 1 |
| 28 | 11221504 | OIL TUBE JOINT | | | | 1 |
| 29 | 11222007 | HOLDER | | | | 1 |
| 30 | SS6080340SP | SCREW 1/8-44 L=2.9 | | | | 1 |
| 31 | SQ1150501SD | CONNECTING SCREW | | | | 1 |
| 32 | 11307006 | OIL FELT PRESSER | | | | 1 |
| 33 | CQ252000000 | OIL WICK | | | | 0.21 |

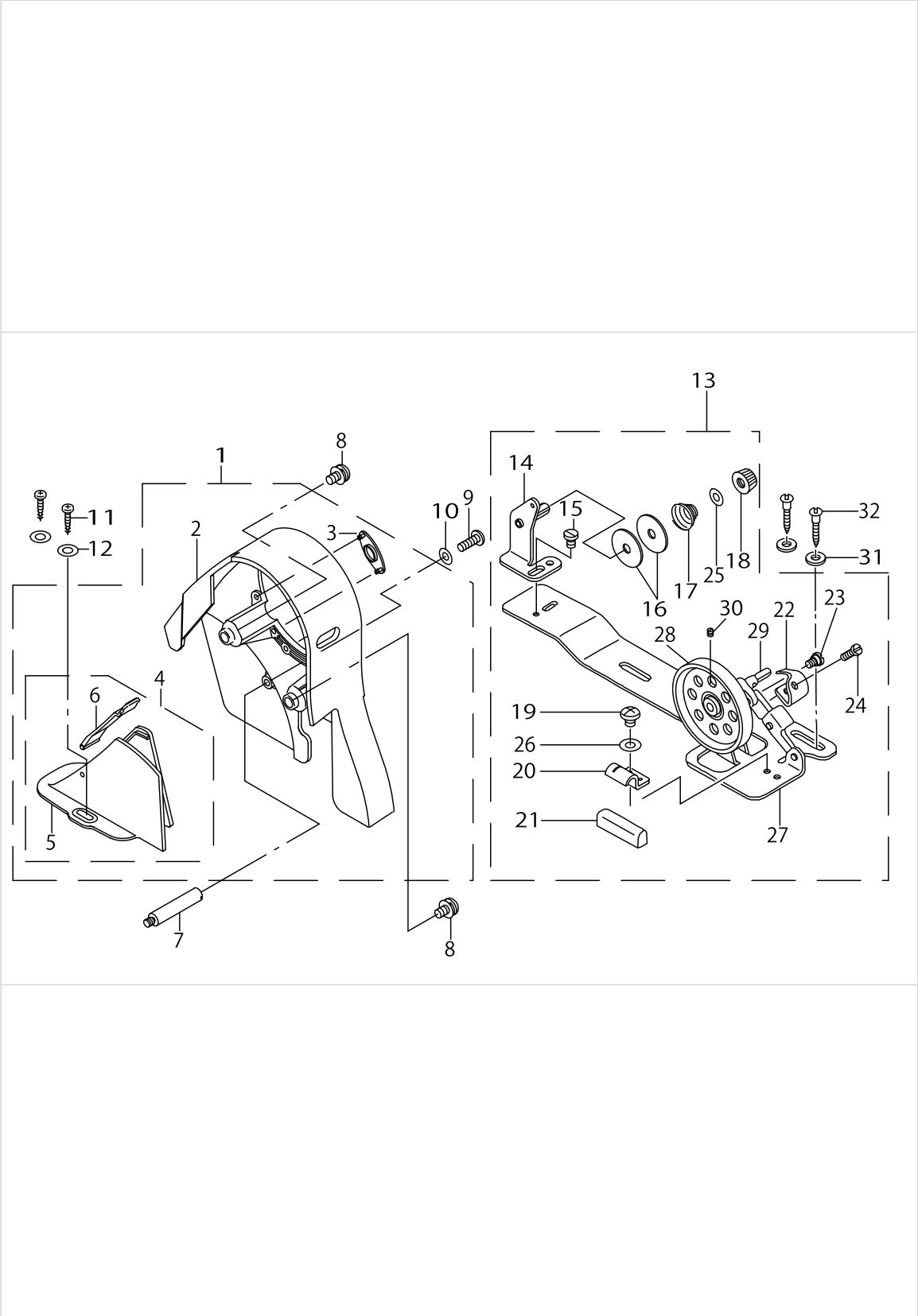
OIL RESERVOIR COMPONENTS



OIL RESERVOIR COMPONENTS

| No. | Parts No. | Parts name | Remarks | Level | Cons | Qty |
|-----|--------------|--------------------------|---------|-------|------|-----|
| 1 | 11047057 | OIL RESERVOIR ASM. | | | | 1 |
| 2 | 11023017 | OIL RESERVOIR | | * | | 1 |
| 3 | 11024700 | GASKET | | * | | 1 |
| 4 | 11047107 | RUBBER CUSHION | | * | | 4 |
| 5 | SS6700710SH | SCREW 5/16-24 L=7 | | * | | 1 |
| 6 | RO098240100 | RUBBER RING | | * | | 1 |
| 7 | 11024015 | CONNECTING ROD, VERTICAL | | * | | 1 |
| 8 | 11024106 | SPRING | | * | | 1 |
| 9 | RE1000000K0 | E-RING 10 | | * | | 1 |
| 10 | 11024510 | BRACKET | | * | | 1 |
| 11 | SM9062053SR | SCREW M6 L=20 | | * | | 2 |
| 12 | NM6060001SE | NUT M6 | | * | | 2 |
| 13 | SM8063012TR | SCREW M6 L=30 | | * | | 2 |
| 14 | SM9061853SR | SCREW M6 L=17.5 | | * | | 1 |
| 15 | 11024205 | KNEE PRESS ROD | | * | | 1 |
| 16 | 11023751 | KNEE PRESS PLATE ASM. | | | | 1 |
| 17 | B3431552000A | KNEE PRESS PLATE COVER | | * | | 1 |
| 18 | B3419122000 | KNEE LIFTER PLATE ROD | | * | | 1 |
| 19 | 11024403 | RUBBER | | * | | 1 |
| 20 | 11023702 | KNEE PRESS PLATE | | * | | 1 |
| 21 | 11023801 | KNEE PRESS PLATE HOLDER | | * | | 1 |
| 22 | SM9061203SE | SCREW M6 L=12 | | * | | 1 |
| 23 | 11024304 | KNEE PRESS LIFTER ROD | | | | 1 |

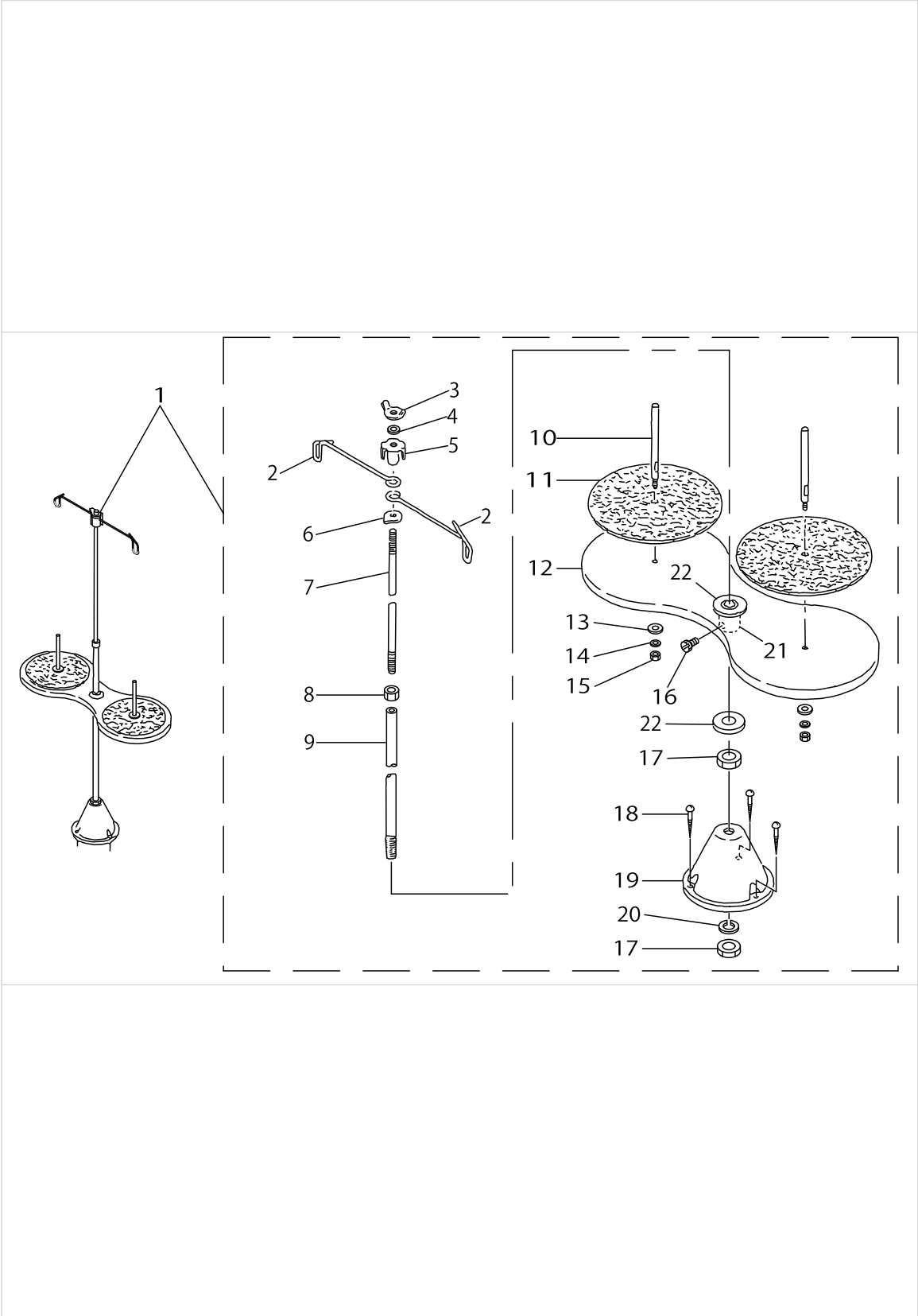
BELT COVER & BOBBIN COMPONENTS



BELT COVER & BOBBIN COMPONENTS

| No. | Parts No. | Parts name | Remarks | Level | Cons | Qty |
|-----|-------------|-----------------------------|---------|-------|------|-----|
| 1 | 11025053 | BELT COVER ASM. (BLACK) | | | | 1 |
| 2 | 11025004 | BELT COVER A | | * | | 1 |
| 3 | 11025103 | BELT COVER A CAP | | * | | 1 |
| 4 | 11025350 | BELT COVER B JUNCTION | | * | | 1 |
| 5 | 11025301 | BELT COVER B | | * | | 1 |
| 6 | 11025459 | BELT COVER B COVER ASM. | | * | | 1 |
| 7 | 11023504 | BELT COVER SUPPORT, A | | | | 1 |
| 8 | 11025202 | BELT COVER A SCREW | | | | 2 |
| 9 | SS4121415SP | SCREW 3/16-28 L=14 | | | | 1 |
| 10 | WP0501016SD | WASHER 5X10.5X1 | | | | 1 |
| 11 | SK3412000SC | WOOD SCREW D=4.1 L=20 | | | | 1 |
| 12 | WP0450826SC | WASHER 4.5X10X0.8 | | | | 2 |
| 13 | 11077567 | BOBBIN WINDER COMPL. | | | | 1 |
| 14 | 11078250 | THREAD TENSION BRACKET ASM. | | * | | 1 |
| 15 | SS7110840SP | SCREW 11/64-40 L=7.8 | | * | | 1 |
| 16 | B3126012000 | THREAD TENSION DISK | | * | | 2 |
| 17 | B3129012B00 | THREAD TENSION SPRING | | * | | 1 |
| 18 | 11072204 | TENSION NUT | | * | | 1 |
| 19 | SS4110515SP | SCREW 11/64-40 L=5 | | * | | 1 |
| 20 | 11078102 | PRESSER PLATE | | * | | 1 |
| 21 | B3211555000 | RUBBER BRAKE | | * | | 1 |
| 22 | 11078003 | POSITIONING FINGER | | * | | 1 |
| 23 | SD0490261SP | HINGE SCREW D=4.9 H=2.6 | | * | | 1 |
| 24 | SS7081310SP | SCREW 1/8-44 L=12.5 | | * | | 1 |
| 25 | WP0651001SB | WASHER | | * | | 1 |
| 26 | WP0480856SP | WASHER 4.8X8.4X0.8 | | * | | 1 |
| 27 | 11077500 | BOBBIN BASE | | * | | 1 |
| 28 | 11077609 | BOBBIN PULLEY | | * | | 1 |
| 29 | B3204555000 | BOBBIN WINDER POST | | * | | 1 |
| 30 | SS8110510SP | SCREW 11/64-40 L=5 | | * | | 1 |
| 31 | WP0450826SC | WASHER 4.5X10X0.8 | | | | 2 |
| 32 | SK3412000SC | WOOD SCREW D=4.1 L=20 | | | | 2 |

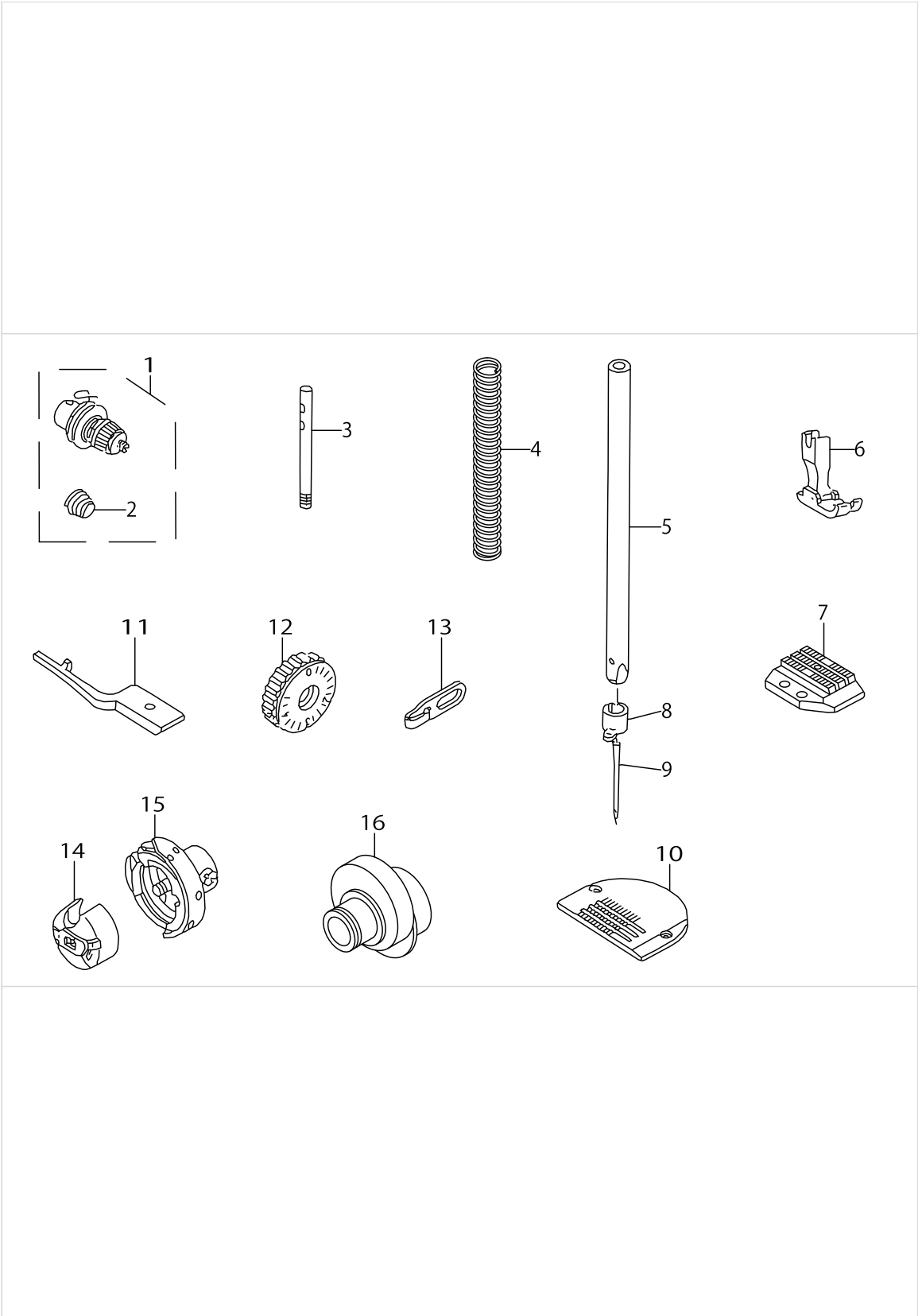
THREAD STAND COMPONENTS



THREAD STAND COMPONENTS

| No. | Parts No. | Parts name | Remarks | Level | Cons | Qty |
|-----|-------------|----------------------------|---------|-------|------|-----|
| 1 | 11181054 | THREAD STAND ASM. | | | | 1 |
| 2 | B3307012000 | THREAD GUIDE | | * | | 2 |
| 3 | B3310012000 | POSITION CUP SET SCREW | | * | | 1 |
| 4 | WS0641560KR | SPRING WASHER 6.4X11.9X1.5 | | * | | 1 |
| 5 | B3309012000 | POSITION CUP | | * | | 1 |
| 6 | B3308012000 | ROD WASHER | | * | | 1 |
| 7 | B3306012000 | SPOOL ROD | | * | | 1 |
| 8 | NM6061061SE | NUT M6 | | * | | 1 |
| 9 | B3302012000 | SPOOL REST ROD | | * | | 1 |
| 10 | B3305012000 | SPOOL PIN | | * | | 2 |
| 11 | B3311012000 | SPOOL REST CUSHION | | * | | 2 |
| 12 | 11181104 | SPOOL REST | | * | | 1 |
| 13 | WP0560860SE | WASHER 5.6X12X0.8 | | * | | 2 |
| 14 | WS0531060KR | SPRING WASHER 5.3X8.3X1 | | * | | 2 |
| 15 | NS6123881SE | NUT 3/16-28 | | * | | 2 |
| 16 | SM9061080SE | SCREW M6 L=10 | | * | | 1 |
| 17 | NM6100663SE | NUT M10 | | * | | 2 |
| 18 | SK3452000SE | WOOD SCREW D=4.5 L=20 | | * | | 3 |
| 19 | 11181005 | THREAD STAND | | * | | 1 |
| 20 | WS1002560KR | SPRING WASHER 10X18X2.5 | | * | | 1 |
| 21 | 11181203 | SPOOL REST BASE | | * | | 1 |
| 22 | WP1401669ST | WASHER 14X29X1.6 | | * | | 2 |

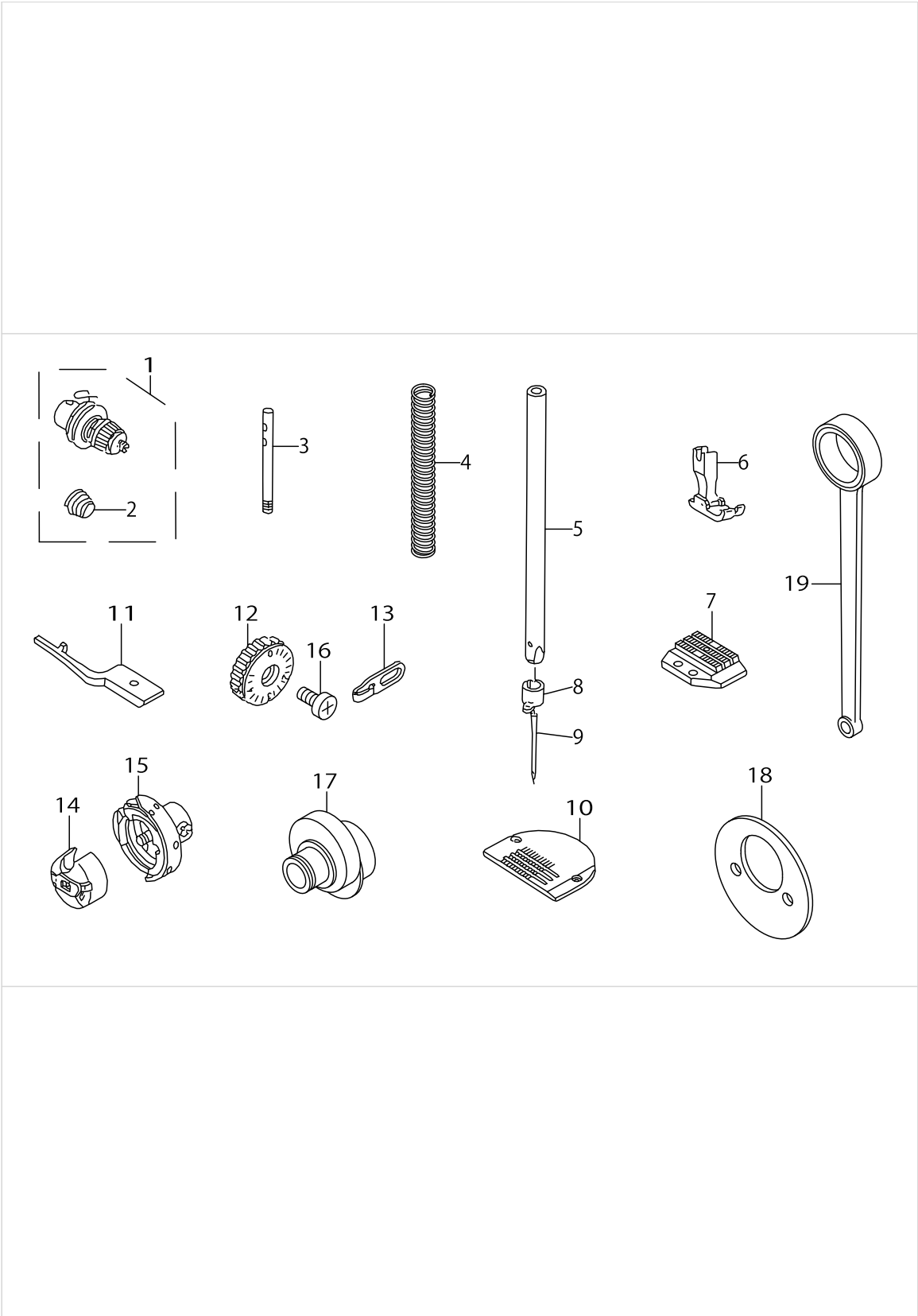
EXCLUSIVE PARTS FOR DLN-5410H



EXCLUSIVE PARTS FOR DLN-5410H

| No. | Parts No. | Parts name | Remarks | Level | Cons | Qty |
|-----|--------------|-------------------------|---------|-------|------|-----|
| 1 | 11092152 | THREAD TENSION ASM | | | | 1 |
| 2 | B3114232000 | THREAD TENSION SPRING | | * | | 1 |
| 3 | B1114012000 | THREAD GUIDE PIN | | | | 1 |
| 4 | B1505552000A | PRESSER SPRING | | | | 1 |
| 5 | 11320801 | NEEDLE BAR | | | | 1 |
| 6 | B1524041EB0 | PRESSER FOOT ASM. | | | | 1 |
| 7 | 11322203 | FEED DOG, H | | | | 1 |
| 8 | B1418415H00 | NEEDLE BAR THREAD GUIDE | | | | 1 |
| 9 | MDB100B2200 | NEEDLE DBX1 #22 | | | | 1 |
| 10 | B1109415H0B | THROAT PLATE (H) | | | | 1 |
| 11 | 11091709 | POSITIONING FINGER | | | | 1 |
| 12 | 11322500 | FEED DIAL | | | | 1 |
| 13 | 11091006 | ARM THREAD GUIDE (HA) | | | | 1 |
| 14 | 11038759 | BOBBIN CASE ASM. | | | | 1 |
| 15 | 11321452 | LUBRICATING BOBBIN ASM. | | | | 1 |
| 16 | 11322401 | FEED ECCENTRIC CAM H | | | | 1 |

EXCLUSIVE PARTS FOR DLN-5410L



EXCLUSIVE PARTS FOR DLN-5410L

| No. | Parts No. | Parts name | Remarks | Level | Cons | Qty |
|-----|--------------|-----------------------------|---------|-------|------|-----|
| 1 | 11092152 | THREAD TENSION ASM | | | | 1 |
| 2 | B3114232000 | THREAD TENSION SPRING | | * | | 1 |
| 3 | B1114012000 | THREAD GUIDE PIN | | | | 1 |
| 4 | B1505552000A | PRESSER SPRING | | | | 1 |
| 5 | 11320801 | NEEDLE BAR | | | | 1 |
| 6 | B1524415LB0 | PRESSER FOOT ASM. | | | | 1 |
| 7 | 11322203 | FEED DOG, H | | | | 1 |
| 8 | B1418415H00 | NEEDLE BAR THREAD GUIDE | | | | 1 |
| 9 | MDB100B2200 | NEEDLE DBX1 #22 | | | | 1 |
| 10 | B1109415H0B | THROAT PLATE (H) | | | | 1 |
| 11 | 11091709 | POSITIONING FINGER | | | | 1 |
| 12 | 11326451 | FEED DIAL ASM. | | | | 1 |
| 13 | 11091006 | ARM THREAD GUIDE (HA) | | | | 1 |
| 14 | D1837415DAL | BOBBIN CASE ASM. | | | | 1 |
| 15 | 11321452 | LUBRICATING BOBBIN ASM. | | | | 1 |
| 16 | SS6121050SP | SCREW 3/16-28 L= 9.5 | | | | 1 |
| 17 | 11324001 | FEED DRIVE ECCENTRIC CAM | | | | 1 |
| 18 | 11324209 | THRUST COLLAR | | | | 1 |
| 19 | 11324100 | ROCKER SHAFT CONNECTING ROD | | | | 1 |

HOW TO MAKE USE OF THIS PARTS LIST

1.As to "#01" and "#02" refer to the "Note" given at the bottom of the respective pages.

2.Codes on the "Qty" column

- Each numeral indicates the number of parts required.
- "0.1" and "2.5" indicate the length (in meters) of the respective parts.

3.Parentheses mean that the corresponding part is a subpart that constructs an assembly part.

4.Dotted lines on the Figures indicate assembly parts.

1. リストページの# 0 1、# 0 2の印は、ページ下の"注記"の説明を参照下さい。
2. 数量欄の数字は、個数を表し、0. 1、2. 5等の数値は、長さ（単位メートル）を表します。
3. 数量欄の（ ）は、組部品を構成している子部品であることを意味します。
4. イラストページの-----枠は、組構成であることを意味します。

NUMERICAL INDEX OF PARTS

| PART NO | PAGE | REF NO. | PART NO | PAGE | REF NO. | PART NO | PAGE | REF NO. |
|----------|------|---------|----------|------|---------|----------|------|---------|
| 11000510 | 2 | 9 | 11018603 | 2 | 38 | 11077567 | 22 | 13 |
| 11000619 | 2 | 10 | 11018702 | 2 | 18 | 11077609 | 22 | 28 |
| 11000700 | 2 | 21 | 11018900 | 2 | 25 | 11078003 | 22 | 22 |
| 11001104 | 2 | 46 | 11018959 | 2 | 24 | 11078102 | 22 | 20 |
| 11001500 | 2 | 20 | 11020005 | 18 | 14 | 11078250 | 22 | 14 |
| 11001609 | 2 | 44 | 11020054 | 18 | 12 | 11091006 | 26 | 13 |
| 11001658 | 2 | 42 | 11020203 | 18 | 17 | 11091006 | 28 | 13 |
| 11002003 | 6 | 31 | 11020302 | 18 | 13 | 11091709 | 26 | 11 |
| 11002102 | 6 | 15 | 11020401 | 18 | 19 | 11091709 | 28 | 11 |
| 11002169 | 6 | 10 | 11020500 | 18 | 21 | 11092152 | 26 | 1 |
| 11002508 | 6 | 21 | 11020609 | 18 | 20 | 11092152 | 28 | 1 |
| 11002656 | 6 | 29 | 11020708 | 18 | 15 | 11181005 | 24 | 19 |
| 11002805 | 6 | 20 | 11020807 | 18 | 18 | 11181054 | 24 | 1 |
| 11002904 | 6 | 32 | 11020906 | 18 | 22 | 11181104 | 24 | 12 |
| 11004009 | 8 | 21 | 11021409 | 18 | 27 | 11181203 | 24 | 21 |
| 11004207 | 8 | 24 | 11021706 | 18 | 6 | 11202306 | 6 | 27 |
| 11004306 | 8 | 22 | 11023017 | 20 | 2 | 11205309 | 10 | 18 |
| 11005204 | 6 | 7 | 11023504 | 22 | 7 | 11205408 | 10 | 17 |
| 11006350 | 10 | 6 | 11023702 | 20 | 20 | 11210903 | 16 | 10 |
| 11006756 | 10 | 4 | 11023751 | 20 | 16 | 11211000 | 16 | 4 |
| 11006905 | 10 | 7 | 11023801 | 20 | 21 | 11214509 | 16 | 22 |
| 11007101 | 10 | 20 | 11024015 | 20 | 7 | 11221504 | 18 | 28 |
| 11008109 | 6 | 28 | 11024106 | 20 | 8 | 11222007 | 18 | 29 |
| 11008802 | 12 | 27 | 11024205 | 20 | 15 | 11300258 | 2 | 1 |
| 11009008 | 12 | 23 | 11024304 | 20 | 23 | 11300308 | 2 | 37 |
| 11009107 | 12 | 37 | 11024403 | 20 | 19 | 11300407 | 2 | 3 |
| 11009206 | 12 | 13 | 11024510 | 20 | 10 | 11300506 | 2 | 2 |
| 11009909 | 12 | 7 | 11024700 | 20 | 3 | 11300605 | 2 | 4 |
| 11010659 | 14 | 62 | 11025004 | 22 | 2 | 11300902 | 6 | 25 |
| 11010709 | 14 | 61 | 11025053 | 22 | 1 | 11301009 | 8 | 2 |
| 11010808 | 12 | 36 | 11025103 | 22 | 3 | 11301355 | 10 | 27 |
| 11010907 | 14 | 48 | 11025202 | 22 | 8 | 11301405 | 10 | 28 |
| 11011053 | 14 | 52 | 11025301 | 22 | 5 | 11301603 | 10 | 9 |
| 11011103 | 12 | 30 | 11025350 | 22 | 4 | 11301652 | 10 | 5 |
| 11011251 | 12 | 34 | 11025459 | 22 | 6 | 11301702 | 10 | 22 |
| 11011509 | 12 | 5 | 11038759 | 26 | 14 | 11301900 | 12 | 35 |
| 11014008 | 12 | 15 | 11038809 | 8 | 30 | 11302007 | 12 | 10 |
| 11014156 | 12 | 42 | 11039062 | 6 | 5 | 11302106 | 12 | 1 |
| 11014206 | 12 | 45 | 11039070 | 6 | 4 | 11302254 | 12 | 19 |
| 11014354 | 14 | 55 | 11047057 | 20 | 1 | 11302304 | 6 | 18 |
| 11015005 | 8 | 29 | 11047107 | 20 | 4 | 11302353 | 6 | 16 |
| 11015104 | 8 | 32 | 11052701 | 12 | 9 | 11302411 | 12 | 12 |
| 11015807 | 8 | 25 | 11053105 | 14 | 60 | 11302502 | 12 | 40 |
| 11017357 | 6 | 2 | 11072204 | 22 | 18 | 11302619 | 14 | 66 |
| 11018504 | 2 | 19 | 11077500 | 22 | 27 | 11302817 | 12 | 2 |

NUMERICAL INDEX OF PARTS

| PART NO | PAGE | REF NO. | PART NO | PAGE | REF NO. | PART NO | PAGE | REF NO. |
|--------------|------|---------|--------------|------|---------|--------------|------|---------|
| 11302908 | 12 | 25 | B13061550A0 | 8 | 14 | B3132552000 | 2 | 28 |
| 11303005 | 12 | 24 | B13061550B0 | 8 | 11 | B31334150A0 | 4 | 48 |
| 11303161 | 12 | 26 | B13061550C0 | 8 | 10 | B3136415000 | 4 | 49 |
| 11303328 | 12 | 4 | B13071550A0 | 8 | 17 | B3148123000 | 2 | 15 |
| 11303567 | 16 | 25 | B13071550B0 | 8 | 16 | B3149123A00 | 2 | 16 |
| 11303807 | 16 | 19 | B13081550A0 | 8 | 19 | B3204555000 | 22 | 29 |
| 11303906 | 16 | 24 | B1408552000 | 6 | 8 | B3211555000 | 22 | 21 |
| 11304003 | 16 | 2 | B14115520A0 | 8 | 4 | B3302012000 | 24 | 9 |
| 11304102 | 16 | 28 | B1412352B00 | 16 | 5 | B3305012000 | 24 | 10 |
| 11304201 | 16 | 13 | B1414226000 | 8 | 6 | B3306012000 | 24 | 7 |
| 11304300 | 16 | 15 | B1418415H00 | 26 | 8 | B3307012000 | 24 | 2 |
| 11304409 | 16 | 1 | B1418415H00 | 28 | 8 | B3308012000 | 24 | 6 |
| 11305000 | 12 | 17 | B1418552A00 | 8 | 8 | B3309012000 | 24 | 5 |
| 11305513 | 2 | 47 | B1501127000 | 10 | 31 | B3310012000 | 24 | 3 |
| 11305653 | 10 | 13 | B1502541000 | 10 | 32 | B3311012000 | 24 | 11 |
| 11305703 | 10 | 37 | B1505227000A | 10 | 26 | B3419122000 | 20 | 18 |
| 11305901 | 10 | 14 | B1505552000A | 26 | 4 | B3431552000A | 20 | 17 |
| 11306107 | 10 | 12 | B1505552000A | 28 | 4 | B3514412000 | 18 | 9 |
| 11307006 | 18 | 32 | B1509555000 | 10 | 23 | B3530555000 | 18 | 1 |
| 11307154 | 18 | 4 | B1510227000 | 10 | 25 | B3536122000 | 18 | 5 |
| 11307352 | 18 | 11 | B1511555000 | 10 | 24 | B9117012000 | 8 | 39 |
| 11320801 | 26 | 5 | B1520552000A | 10 | 1 | BT0600402EA | 18 | 3 |
| 11320801 | 28 | 5 | B1521555000 | 10 | 2 | CQ252000000 | 18 | 33 |
| 11321452 | 26 | 15 | B1524041EB0 | 26 | 6 | CS064061ASP | 10 | 35 |
| 11321452 | 28 | 15 | B1524415LB0 | 28 | 6 | CS079073ASH | 8 | 34 |
| 11322203 | 26 | 7 | B1636581C00 | 14 | 65 | CS079101ASH | 8 | 27 |
| 11322203 | 28 | 7 | B18085520A0 | 8 | 36 | CS120101BSH | 16 | 8 |
| 11322401 | 26 | 16 | B1810552000 | 8 | 37 | CS147121ASH | 6 | 23 |
| 11322500 | 26 | 12 | B18304150A0 | 8 | 38 | CS147121ASH | 12 | 57 |
| 11324001 | 28 | 17 | B18370120A0 | 8 | 3 | CS147121ASH | 14 | 57 |
| 11324100 | 28 | 19 | B1903552000 | 6 | 9 | D1524415BBA | 10 | 34 |
| 11324209 | 28 | 18 | B1905541B00 | 6 | 6 | D1609415B00 | 12 | 31 |
| 11326451 | 28 | 12 | B1909505000 | 6 | 3 | D1837415DAL | 28 | 14 |
| 11385127 | 12 | 6 | B2616372000 | 18 | 10 | MDB100B1400 | 8 | 9 |
| 11392107 | 18 | 26 | B2906415000 | 16 | 6 | MDB100B2200 | 26 | 9 |
| B1109415H0B | 26 | 10 | B3111552B00 | 2 | 32 | MDB100B2200 | 28 | 9 |
| B1109415H0B | 28 | 10 | B3114232000 | 26 | 2 | NM6060001SE | 20 | 12 |
| B1110012000 | 2 | 43 | B3114232000 | 28 | 2 | NM6061061SE | 24 | 8 |
| B1113155000 | 2 | 14 | B3115552000 | 2 | 30 | NM6100663SE | 24 | 17 |
| B11131550A0 | 2 | 13 | B3120125000 | 2 | 26 | NS6090310SP | 4 | 53 |
| B1114012000 | 26 | 3 | B3126012000 | 2 | 29 | NS6123881SE | 24 | 15 |
| B1114012000 | 28 | 3 | B3126012000 | 22 | 16 | NS6150310SP | 16 | 14 |
| B1148555000 | 12 | 8 | B3128012000 | 2 | 31 | NS6150430SP | 16 | 17 |
| B12135520A0A | 6 | 33 | B3129012A00 | 2 | 27 | NS6680410SP | 12 | 39 |
| B13050120A0 | 8 | 12 | B3129012B00 | 22 | 17 | RC0150001KP | 12 | 51 |

NUMERICAL INDEX OF PARTS

| PART NO | PAGE | REF NO. | PART NO | PAGE | REF NO. | PART NO | PAGE | REF NO. |
|-------------|------|---------|-------------|------|---------|-------------|------|---------|
| RC0150001KP | 14 | 51 | SS6090620SP | 12 | 38 | SS8660810TP | 8 | 20 |
| RC1850001KP | 6 | 22 | SS6090650SP | 6 | 19 | SS8661030SP | 14 | 64 |
| RE0300000K0 | 10 | 29 | SS6090660TP | 16 | 7 | SS8661040TP | 14 | 63 |
| RE0500000K0 | 10 | 11 | SS6090670TP | 8 | 5 | SS8681130SP | 12 | 41 |
| RE0500000K0 | 12 | 21 | SS6090810SP | 16 | 23 | SS8681650TP | 6 | 11 |
| RE1000000K0 | 20 | 9 | SS6110420TP | 8 | 28 | SS9661120CP | 14 | 49 |
| RO029180100 | 6 | 34 | SS6110610TP | 2 | 39 | TA0850604R0 | 2 | 50 |
| RO037180100 | 10 | 3 | SS6110640SP | 16 | 27 | TA0850604R0 | 4 | 50 |
| RO044240100 | 6 | 13 | SS6111010SP | 8 | 31 | TA1250406R0 | 2 | 40 |
| RO078190100 | 14 | 59 | SS6111010TP | 18 | 24 | TA1250504R0 | 2 | 51 |
| RO092270200 | 12 | 16 | SS6120930TP | 12 | 11 | TA1250504R0 | 4 | 51 |
| RO098240100 | 20 | 6 | SS6121050SP | 28 | 16 | TA1250705R0 | 2 | 7 |
| RO195240100 | 18 | 2 | SS6121220TP | 16 | 29 | TA1250804R0 | 8 | 1 |
| SB309000400 | 16 | 18 | SS6121250TP | 12 | 20 | TA2000502R0 | 2 | 11 |
| SD0380552SL | 2 | 17 | SS6121610SP | 16 | 20 | TA2101002R0 | 2 | 52 |
| SD0490261SP | 22 | 23 | SS6151220SP | 12 | 22 | TA2101002R0 | 4 | 52 |
| SD0600322SD | 10 | 16 | SS6661110SP | 6 | 17 | WP0450826SC | 22 | 31 |
| SD0640261SP | 10 | 21 | SS6700710SH | 20 | 5 | WP0480856SP | 14 | 54 |
| SD0720331SP | 10 | 19 | SS7080510TP | 8 | 7 | WP0480856SP | 22 | 26 |
| SD0790501SP | 16 | 12 | SS7081310SP | 22 | 24 | WP0501016SD | 22 | 10 |
| SD1000801SH | 12 | 44 | SS7090620TP | 10 | 36 | WP0560860SE | 24 | 13 |
| SE4301041SR | 18 | 16 | SS7091110SP | 10 | 33 | WP0621016SD | 16 | 16 |
| SK3412000SC | 22 | 32 | SS7110740TP | 14 | 50 | WP0650876SD | 10 | 8 |
| SK3452000SE | 24 | 18 | SS7110840SP | 22 | 15 | WP0651001SB | 22 | 25 |
| SL4030851SF | 18 | 23 | SS7111120SP | 14 | 56 | WP0702026SP | 14 | 69 |
| SM8063012TR | 20 | 13 | SS7121410TP | 14 | 53 | WP1401669ST | 24 | 22 |
| SM9061080SE | 24 | 16 | SS7121610SP | 12 | 43 | WS0531060KR | 24 | 14 |
| SM9061203SE | 20 | 22 | SS7620750SP | 14 | 68 | WS0641560KR | 24 | 4 |
| SM9061853SR | 20 | 14 | SS7681650TP | 6 | 14 | WS1002560KR | 24 | 20 |
| SM9062053SR | 20 | 11 | SS8090670SP | 2 | 33 | WZ1250300K0 | 14 | 67 |
| SQ1150501SD | 18 | 31 | SS8110310SP | 16 | 26 | | | |
| SS1120710SP | 2 | 5 | SS8110410TP | 8 | 35 | | | |
| SS2110920TP | 2 | 35 | SS8110510SP | 22 | 30 | | | |
| SS4080620TP | 12 | 32 | SS8120740SP | 16 | 21 | | | |
| SS4110515SP | 22 | 19 | SS8150432TH | 8 | 33 | | | |
| SS4120615SP | 2 | 23 | SS8150710SP | 2 | 34 | | | |
| SS4120615SP | 18 | 8 | SS8150710SP | 12 | 28 | | | |
| SS4120915SP | 2 | 8 | SS8150912TH | 6 | 26 | | | |
| SS4120915SP | 8 | 26 | SS8151150SP | 6 | 1 | | | |
| SS4121015SP | 2 | 41 | SS8151550SP | 6 | 30 | | | |
| SS4121415SP | 22 | 9 | SS8660410SP | 16 | 9 | | | |
| SS4150915SP | 18 | 25 | SS8660610TP | 6 | 24 | | | |
| SS6060210SP | 2 | 45 | SS8660610TP | 10 | 30 | | | |
| SS6080340SP | 18 | 30 | SS8660610TP | 12 | 58 | | | |
| SS6090560TP | 12 | 3 | SS8660610TP | 14 | 58 | | | |