

MODEL : DLM-5400N-7 SERIES

List No : 0892-08

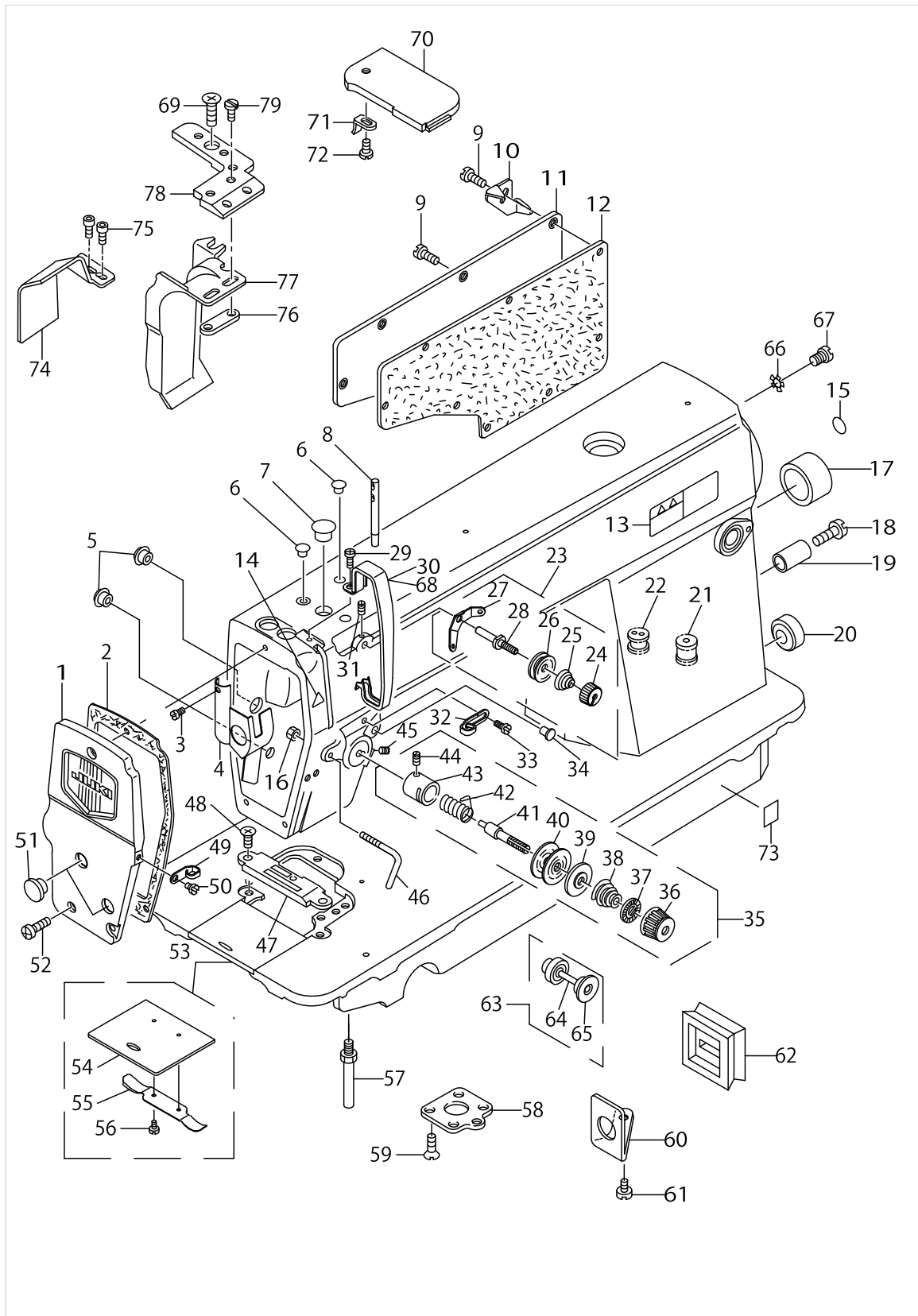
PARTS LIST

Published:09/10/2017

CONTENTS

MACHINE FRAME & MISCELLANEOUS COVER COMPONENTS	1
MAIN SHAFT & THREAD TAKE-UP LEVER COMPONENTS	5
NEEDLE BAR, UPRIGHT SHAFT & HOOK DRIVING SHAFT COMPONENTS	9
HAND LIFTER COMPONENTS	11
FEED MECHANISM COMPONENTS.....	15
THREAD TRIMMER MECHANISM COMPONENTS.....	19
KNIFE COMPONENTS.....	23
AUTOMATIC REVERSE FEED COMPONENTS (FOR DLM-5400N-7-0B,-WB).....	27
WIPER COMPONENTS (FOR DLM-5400N-7-WB)	29
OIL LUBRICATION COMPONENTS	31
OIL RESERVOIR COMPONENTS	33
BELT COVER & BOBBIN WINDER COMPONENTS	35
THREAD STAND COMPONENTS.....	37
TABLE OF EXCHANGING GAUGE PARTS (1).....	39
TABLE OF EXCHANGING GAUGE PARTS (2).....	43
LIST FOR INFORMATION OF CHANGE (1).....	47
LIST FOR INFORMATION OF CHANGE (2).....	48
HOW TO MAKE USE OF THIS PARTS LIST	49

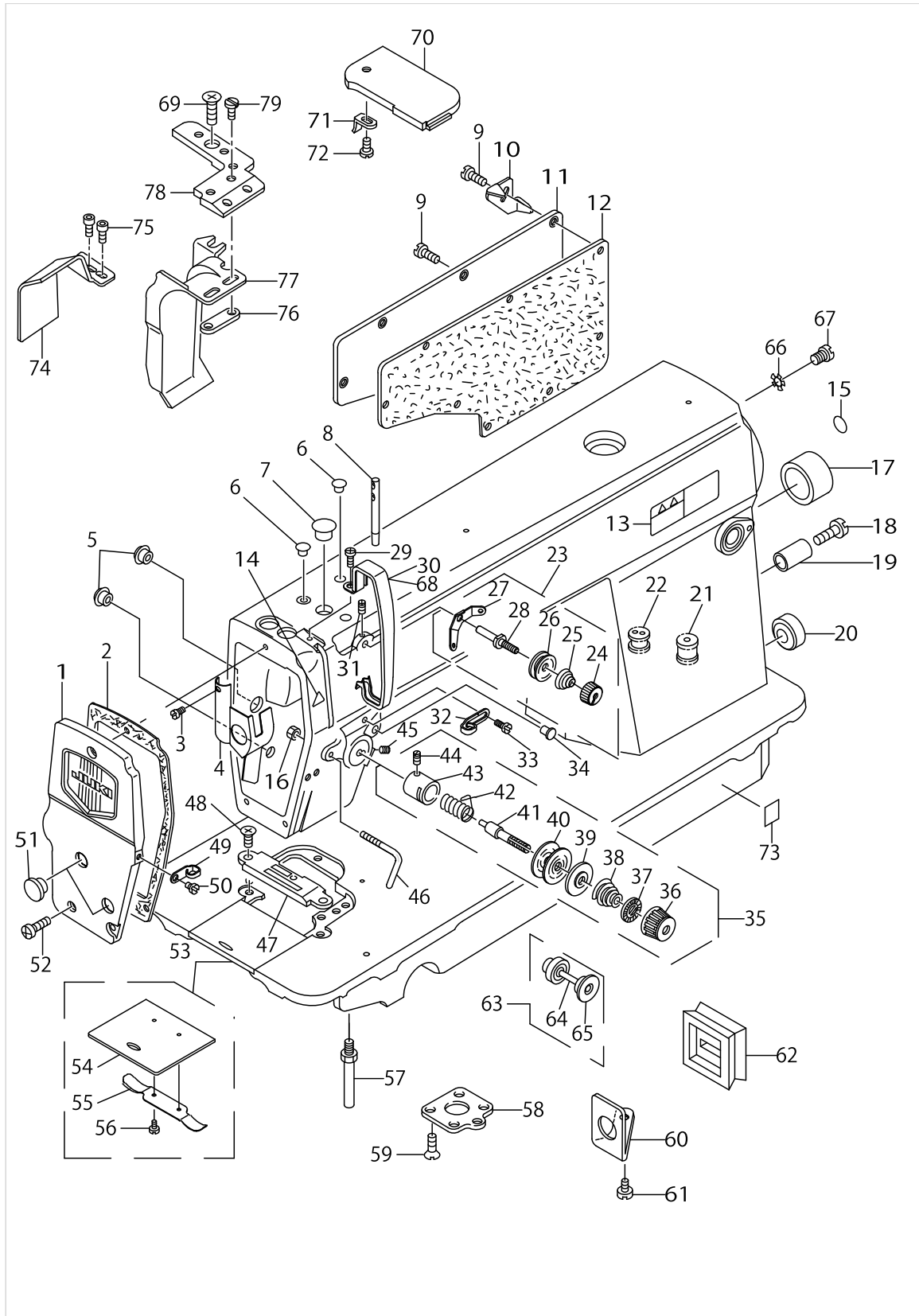
MACHINE FRAME & MISCELLANEOUS COVER COMPONENTS



MACHINE FRAME & MISCELLANEOUS COVER COMPONENTS

No.	Parts No.	Parts name	Remarks	Level	Cons	Qty
1	11325750	FACE PLATE ASM.				1
2	11300506	FACE PLATE GASKET				1
3	SS6080410SP	SCREW 1/8-44 L=4				1
4	22900757	FACE PLATE OIL SHIELD ASM.				1
5	TA1250504R0	RUBBER PLUG				2
6	TA0850604R0	RUBBER PLUG				2
7	TA1250705R0	RUBBER PLUG				1
8	22958300	NEEDLE THREAD GUIDE PIN				1
9	SS4120915SP	SCREW 3/16-28 L=9				8
10	11102605	CORD HOLDER	FOR DLM-5400N-7-0B,-WB			1
11	22900401	WINDOW PLATE				1
12	11003308	GASKET				1
13	CM301300001	SAFETY LABEL				1
14	CM300200001	ATTENTION SEAL				2
15	22901805	GROUND MARK				1
16	NS6090310SP	NUT 9/64-40				1
17	TA2000502R0	RUBBER PLUG				1
18	SS6121840SP	SCREW 3/16-28 L=18	FOR DLM-5400N-7-0B,-WB			1
19	11100500	REVERSE FEED LEVER STOPPER	FOR DLM-5400N-7-0B,-WB			1
20	TA2101002R0	RUBBER PLUG				1
21	11030202	RUBBER BUSHING	FOR DLM-5400N-7-00			1
22	11100104	MAGNET CORD RUBBER	FOR DLM-5400N-7-0B,-WB			1
23	22945463	THREAD TENSION ASM. NO.1				1
24	22945703	THREAD TENSION NUT		*		1
25	22945505	THREAD TENSION SPRING		*		1
26	22945802	THREAD TENSION DISK		*		2
27	22945604	THREAD TENSION GUIDE		*		1
28	22945406	THREAD TENSION POST		*		1
29	SS4120615SP	SCREW 3/16-28 L=6				1
30	22900609	THREAD TAKE-UP LEVER COVER				1
31	SS4120615SP	SCREW 3/16-28 L=6				1
32	22920508	ARM THREAD GUIDE A				1
33	22921001	SCREW				1
34	TA0850604R0	RUBBER PLUG				1
35	22945356	THREAD TENSION ASM.				1
36	22921308	THREAD TENSION NUT		*		1
37	22921407	ROTATION STOPPER		*		1
38	22921704	THREAD TENSION SPRING A		*		1
39	22921803	DISK STOPPER		*		1
40	22921506	THREAD TENSION DISK		*		2
41	22921209	THREAD TENSION POST		*		1
42	22921605	THREAD TAKE-UP SPRING		*		1
43	22945307	THREAD TENSION POST BASE		*		1
44	SS8090670SP	SCREW 9/64-40 L= 5.5		*		1
45	SS8150710TP	SCREW 15/64-28 L=7				1
46	22972608	ARM THREAD GUIDE C				1
47	B1190522S00	GAUGE PLATE 1/8 S				1

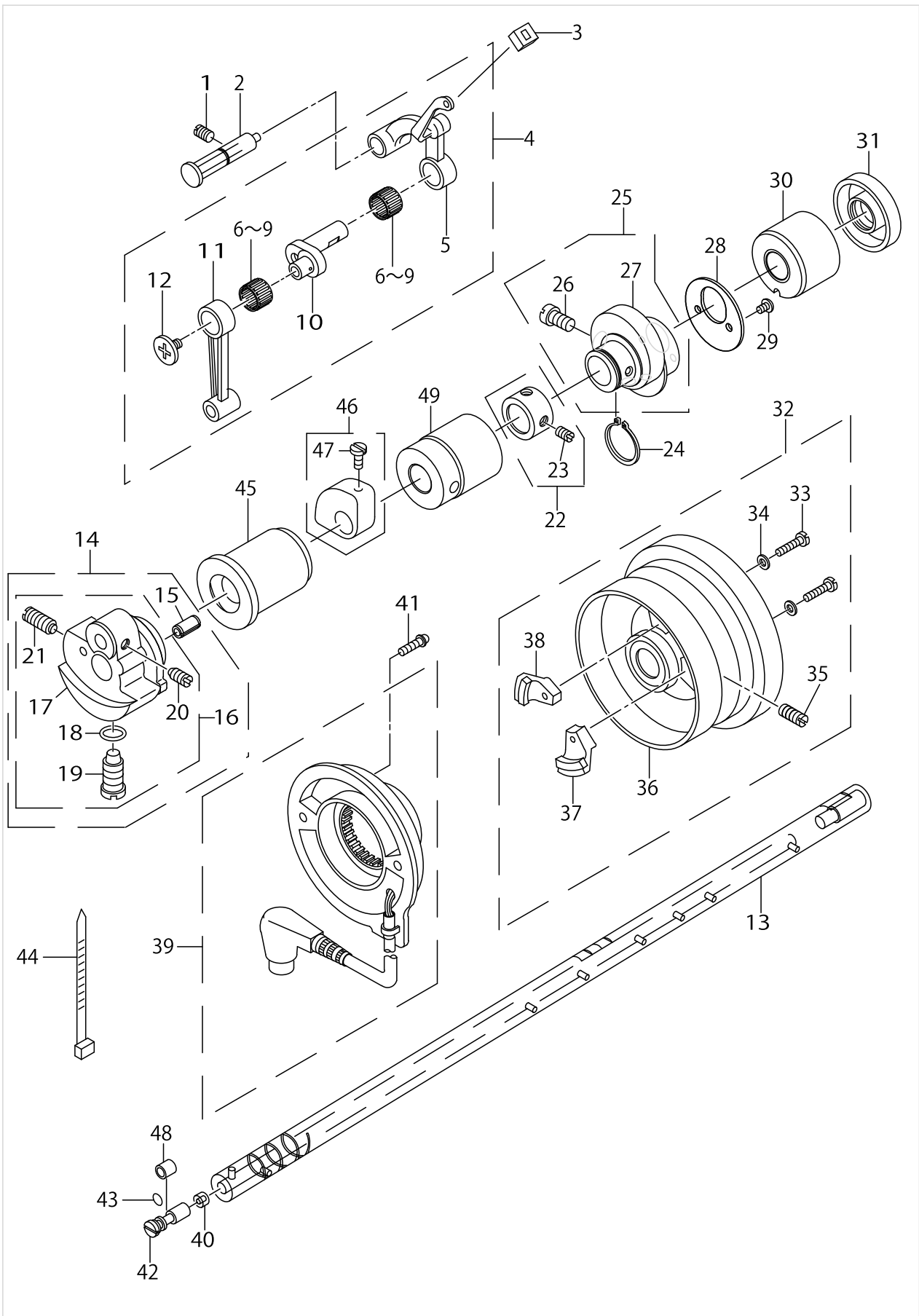
MACHINE FRAME & MISCELLANEOUS COVER COMPONENTS



MACHINE FRAME & MISCELLANEOUS COVER COMPONENTS

No.	Parts No.	Parts name	Remarks	Level	Cons	Qty
48	SS2110915SP	SCREW 11/64-40 L=8.5				2
49	22920607	ARM THREAD GUIDE B				1
50	SS6110610TP	SCREW 11/64-40 L=6				1
51	TA1250406R0	RUBBER PLUG D=12.5 L=4				2
52	SS4121015SP	SCREW 3/16-28 L=10				3
53	22901250	SLIDE PLATE ASM.				1
54	22901201	SLIDE PLATE		*		1
55	22901300	SLIDE PLATE SPRING		*		1
56	SS6060210SP	SCREW 3/32-56 L= 1.9		*		1
57	22901003	BED SCREW STUD				4
58	11300407	PRESSER BAR SUPPORT				1
59	SS1120710SP	SCREW 3/16-28 L=6.5				4
60	11345709	OIL SHIELD				1
61	SS6110610TP	SCREW 11/64-40 L=6				1
62	11345600	OIL RUBBER				1
63	B31334150A0	TENSION RELEASE PIN CAP ASM.				1
64	B3118415000	TENSION RELEASE PIN		*		1
65	B3136415000	CAP RING		*		1
66	WT0530002KS	TOOTHED WASHER D=5.3				1
67	SS4120615SP	SCREW 3/16-28 L=6				1
68	11415205	THREAD TAKE-UP LEVER COVER(JE)	FOR JE			1
69	SS2110915SP	SCREW 11/64-40 L=8.5				2
70	B111553100D	THROAT PLATE COVER D ASM.				1
71	B1115522000A	OPEN COVER SPRING				1
72	SS4080310SP	SCREW 1/8-44 L=3.4				1
73	40116677	GOST_SAFTY_LABEL_S	FOR JE			1
74	11346400	WASTE MATERIAL GUIDE				1
75	11345808	SCREW				2
76	B1193530000	WASTE MATERIAL GUARD PLATE				1
77	11346905	WASTE MATERIAL GUARD E				1
78	11346004	NEEDLE PLATE A				1
79	SS6080410SP	SCREW 1/8-44 L=4				2

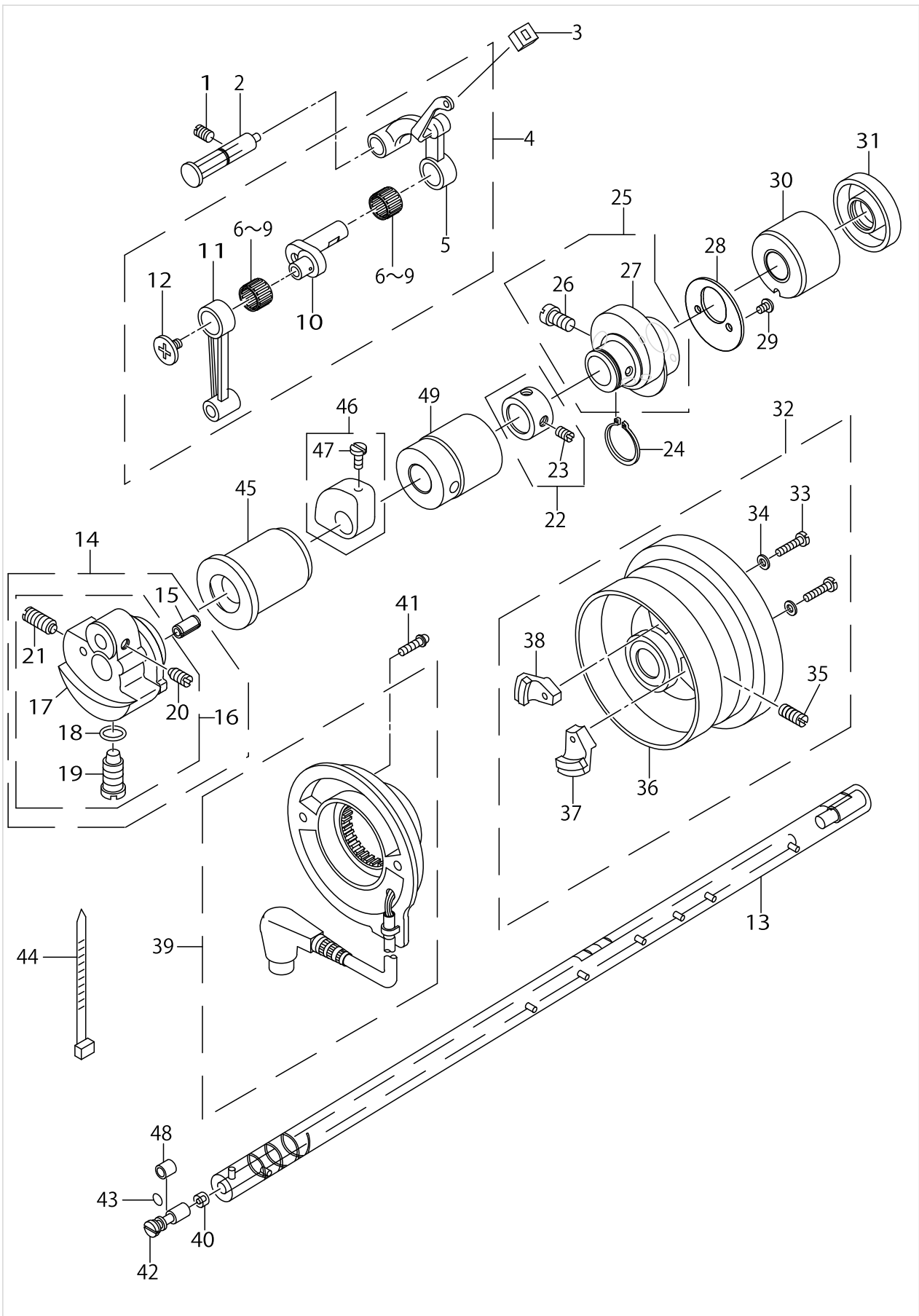
MAIN SHAFT & THREAD TAKE-UP LEVER COMPONENTS



MAIN SHAFT & THREAD TAKE-UP LEVER COMPONENTS

No.	Parts No.	Parts name	Remarks	Level	Cons	Qty
1	SS8151150TP	SCREW 15/64-28 L=10.5				1
2	11017357	THREAD TAKE-UP CRANK SHAFT ASM.				1
3	22919203	OIL PROTECTING RUBBER				1
4	22918072	THREAD TAKE-UP LEVER COMPL.				1
5	22918064	THREAD TAKE-UP LEVER		*		1
6	22918403	NEEDLE BEARING A	SELECTIVE PART(A~D)	*		2
7	22918502	NEEDLE BEARING B	SELECTIVE PART(A~D)	*		2
8	22918601	NEEDLE BEARING C	SELECTIVE PART(A~D)	*		2
9	22918700	NEEDLE BEARING D	SELECTIVE PART(A~D)	*		2
10	22918106	NEEDLE BAR CRANK		*		1
11	22906606	NEEDLE BAR CRANK ROD		*		1
12	22918304	LEFT SCREW		*		1
13	11349008	MAIN SHAFT				1
14	40097023	COUNTER WEIGHT M COMPL.				1
15	PS0400082KP	SPRING PIN		*		1
16	40095785	COUNTER WEIGHT_M ASM.		*		1
17	40095786	COUNTER WEIGHT_M		*		1
18	RO044240100	RUBBER RING		*		1
19	SS7681650TP	SCREW 9/32-28 L=16		*		1
20	SS8660610TP	SCREW 1/4-40 L=6		*		2
21	SS8681650TP	SCREW 9/32-28 L=16		*		1
22	22904155	MAIN SHAFT THRUST COLLAR ASM.				1
23	SS8660610TP	SCREW 1/4-40 L=6		*		2
24	RC1850001KP	SNAP RING 18.5				1
25	22910053	FEED DRIVE ECCENTRIC CAM ASM.				1
26	SS6661110SP	SCREW 1/4-40 L=11		*		2
27	22910004	FEED DRIVE ECCENTRIC CAM		*		1
28	22910103	THRUST COLLAR				1
29	SS4090615SP	SCREW 9/64-40 L=6				2
30	11002409	MAIN SHAFT BUSHING REAR				1
31	40105231	OIL SEAL				1
32	11071495	HAND WHEEL ASM.				1
33	SS6111210SP	SCREW 11/64-40 L=12		*		2
34	WP0450801SD	WASHER 4.5X10X0.8		*		2
35	SS8151550SP	SCREW 15/64-28 L=15		*		2
36	11071453	HAND WHEEL ASM.		*		1
37	M40071100AA	MAGNET FITTING BASE A ASM.		*		1
38	M40071100AB	MAGNET FITTING BASE B ASM.		*		1
39	22937965	DYNAMO STATOR				1
40	11002904	ROLLER FELT				1
41	SL4051001MZ	SCREW M5 L=9.6				2
42	B1213552000A	OIL ADJUSTING PIN				1
43	RO029180100	RUBBER RING				1
44	HX000430000	CLIP				1
45	11349107	BUSHING FRONT				1
46	11349453	BALANCER AMS.				1
47	SS7150940SP	SCREW 15/64-28 L=9		*		2

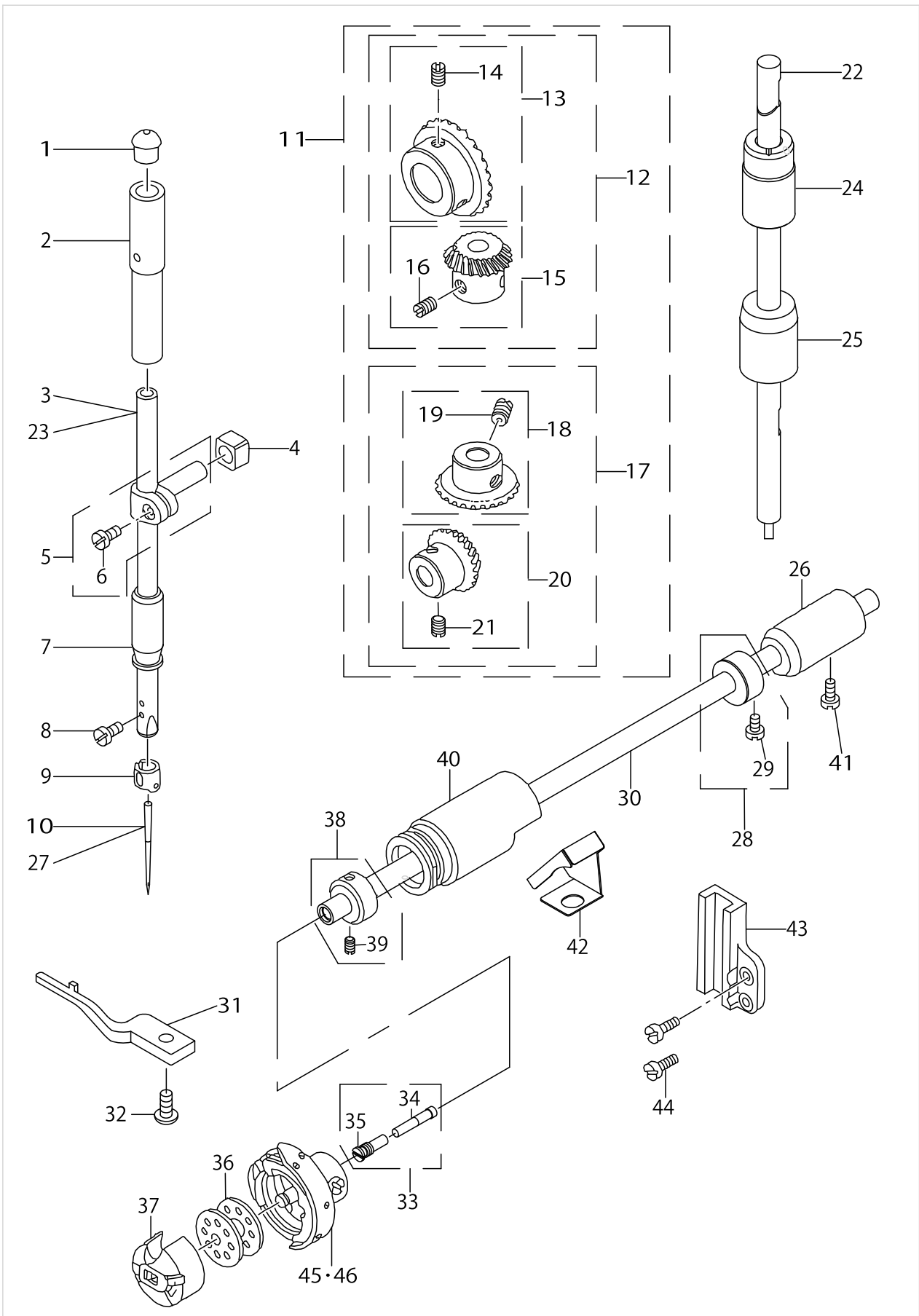
MAIN SHAFT & THREAD TAKE-UP LEVER COMPONENTS



MAIN SHAFT & THREAD TAKE-UP LEVER COMPONENTS

No.	Parts No.	Parts name	Remarks	Level	Cons	Qty
48	B1215552000	OIL ADJUSTING COLLAR				1
49	22903306	BUSHING INTERMEDIATE				1

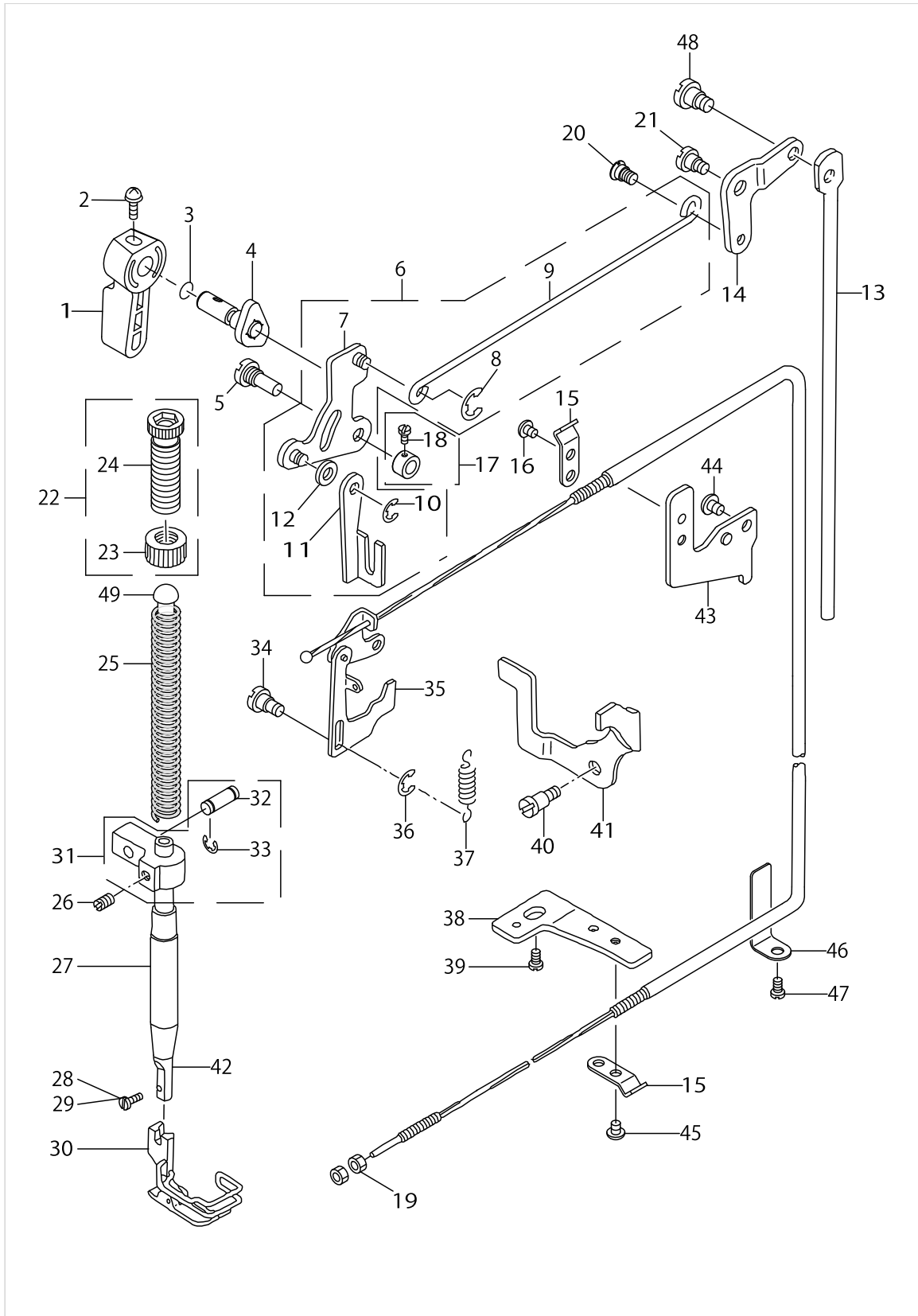
NEEDLE BAR, UPRIGHT SHAFT & HOOK DRIVING SHAFT COMPONENTS



NEEDLE BAR, UPRIGHT SHAFT & HOOK DRIVING SHAFT COMPONENTS

No.	Parts No.	Parts name	Remarks	Level	Cons	Qty
1	22901409	NEEDLE BAR UPPER BUSH CAP				1
2	22906101	NEEDLE BAR BUSHING UPPER				1
3	11349701	NEEDLE BAR A				1
4	40090058	SLIDE BLOCK				1
5	22906457	NEEDLE BAR HOLDER ASM.				1
6	SS6090670TP	SCREW 9/64-40 L=6		*		1
7	22906200	NEEDLE BAR BUSHING LOWER				1
8	SS7080510TP	SCREW 1/8-44 L=4.5				1
9	B1418530000	NEEDLE BAR THREAD GUIDE				1
10	MDB100B1400	NEEDLE DBX1 #14				1
11	B13061550C0	GEAR & PINION ASM.				1
12	B13061550B0	GEAR & PINION ASM. UPPER		*		1
13	B13050120A0	GEAR ASM.		*		1
14	SS8660810TP	SCREW 1/4-40 L=8		*		2
15	B13061550A0	PINION ASM.		*		1
16	SS8660810TP	SCREW 1/4-40 L=8		*		2
17	B13071550B0	GEAR & PINION ASM. LOWER		*		1
18	B13071550A0	GEAR ASM. LARGE		*		1
19	SS8660810TP	SCREW 1/4-40 L=8		*		2
20	B13081550A0	PINION ASM.		*		1
21	SS8660810TP	SCREW 1/4-40 L=8		*		2
22	22905004	UPRIGHT SHAFT				1
23	11349800	NEEDLE BAR B	FOR JE			1
24	22905103	UPRIGHT SHAFT BUSHING UPPER				1
25	11004207	UPRIGHT SHAFT BUSHING LOWER				1
26	22916308	HOOK DRIVING SHAFT BUSH REAR				1
27	MC200500900	NEEDLE 134 90	FOR JE			1
28	22917157	THRUST COLLAR ASM. REAR				1
29	SS6110420TP	SCREW 11/64-40 L=4.8		*		2
30	22916001	HOOK DRIVING SHAFT				1
31	11038809	BOBBIN CASE HOLDER				1
32	SS4110915TP	SCREW 11/64-40 L=9				1
33	22916555	OIL SEAL SCREW ASM.				1
34	11015906	OIL WICK		*		1
35	22916506	SET SCREW		*		1
36	22932909	BOBBIN				1
37	11038759	BOBBIN CASE ASM.				1
38	22917058	THRUST COLLAR ASM. FRONT				1
39	SS8110410TP	SCREW 11/64-40 L= 3.5		*		2
40	11351004	BUSHING FRONT				1
41	SS4120915SP	SCREW 3/16-28 L=9				1
42	22942601	OIL SHIELD				1
43	11349909	ROLLER GUIDE BRACKET				1
44	SS4120915SP	SCREW 3/16-28 L=9				2
45	11141355	HOOK ASM.				1
46	11038650	HOOK ASM.	FOR USE IN JAPAN,JH			1

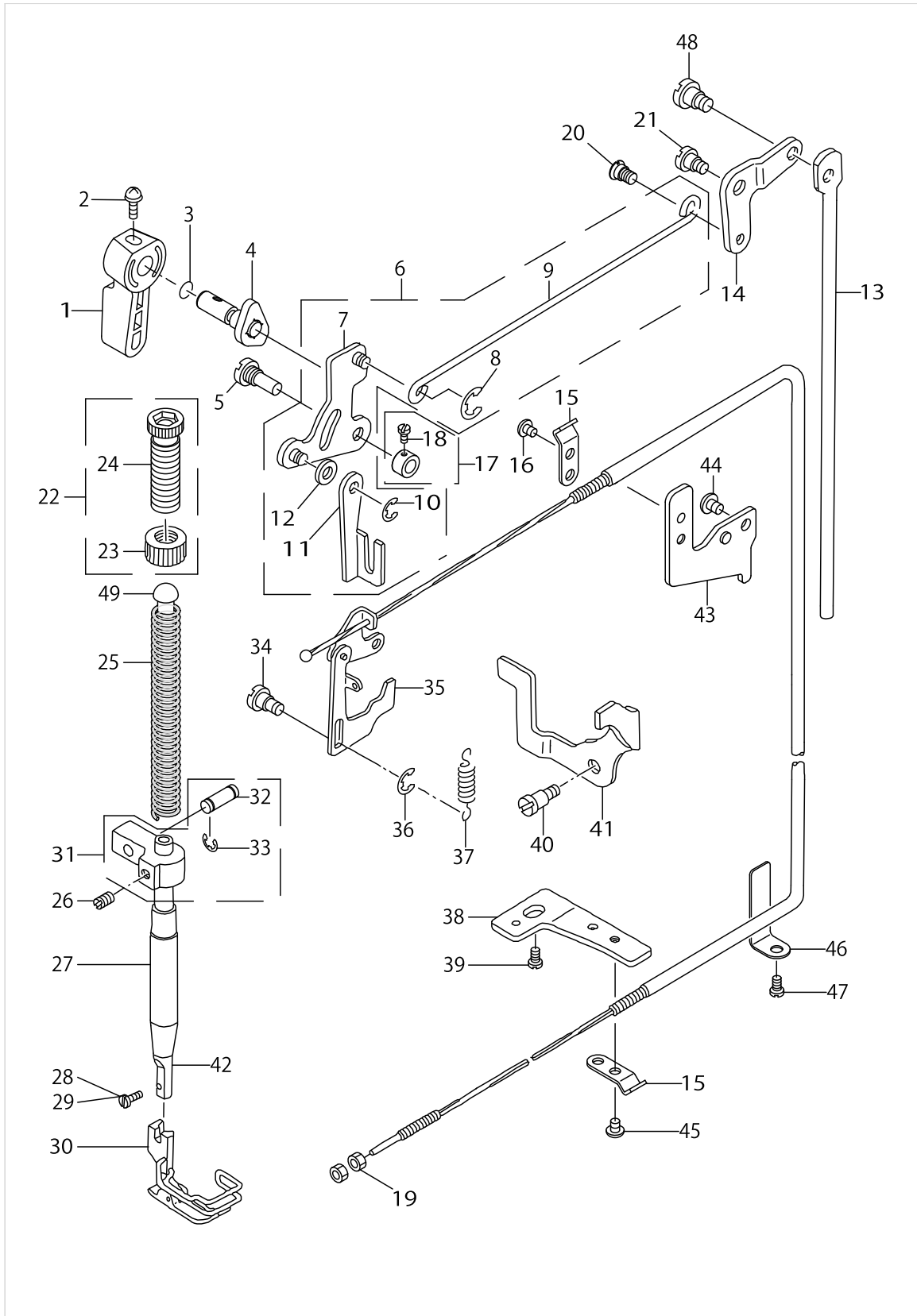
HAND LIFTER COMPONENTS



HAND LIFTER COMPONENTS

No.	Parts No.	Parts name	Remarks	Level	Cons	Qty
1	22907802	HAND LIFTER				1
2	B1521555000	SCREW				1
3	RO037180100	RUBBER RING				1
4	22908552	HAND LIFTER CAM ASM.				1
5	11301702	LINK SHAFT				1
6	11301652	LIFTING LEVER ASM.				1
7	22908156	LIFTING LINK ASM.		*		1
8	RE0500000K0	E-RING		*		1
9	22908305	KNEE LIFTER SIDE ROD		*		1
10	RE0500000K0	E-RING		*		1
11	11301603	LIFTING LEVER		*		1
12	WP0650876SD	WASHER 6.5X13X0.8		*		1
13	11205408	CONNECTING ROD				1
14	11205309	LIFTING LEVER LINK				1
15	22944508	WIRE PRESSER A				2
16	SS4110515SP	SCREW 11/64-40 L=5				1
17	CS064061ASP	THRUST COLLAR ASM.				1
18	SS7090620TP	SCREW 9/64-40 L=6.1		*		2
19	NS6620310SP	NUT 3/16-32				2
20	22908909	HINGE SCREW				1
21	SD0720331SP	HINGE SCREW D= 7.24 H= 3.3				1
22	22907554	PRESSER SPRING REGULATOR NUT ASM.				1
23	22907604	PRESSER SPRING REGULATOR NUT		*		1
24	22907505	PRESSER SPRING REGULATOR		*		1
25	22907406	PRESSER SPRING				1
26	SS8660610TP	SCREW 1/4-40 L=6				1
27	40060989	PRESSER BAR BUSHING LOWER				1
28	SS7090710SP	SCREW 9/64-40 L= 6.8	FOR DLM-5400N-7-00,-0B			1
29	SS6090910SP	SCREW 9/64-40 L=9	FOR DLM-5400N-7-WB			1
30	B1524530DB0	PRESSER FOOT ASM.	FOR EXPORT			1
31	11301355	NEEDLE BAR GUIDE BRACKET ASM.				1
32	11301405	PIN		*		1
33	RE0300000K0	E-RING 3		*		2
34	11306107	TENSION RELEASE PLATE SHAFT				1
35	11355351	TENSION RELEASE WIRE ASM.				1
36	RE0300000K0	E-RING 3				1
37	11305901	SPRING				1
38	22944706	WIRE PRESSER BASE LOWER				1
39	SS4150915SP	SCREW 15/64-28 L=9	FOR DLM-5400N-7-00			1
40	SD0640261SP	HINGE SCREW D=3.65 H=2.6				1
41	11355609	TENSION RELEASE HOLDER				1
42	B1501530000	PRESSER BAR				1
43	22944607	WIRE PRESSER BASE UPPER				1
44	SS4120615SP	SCREW 3/16-28 L=6				1
45	SS4110515SP	SCREW 11/64-40 L=5				1
46	22945109	WIRE CABLE SUPPORT				1
47	SS4120615SP	SCREW 3/16-28 L=6				1

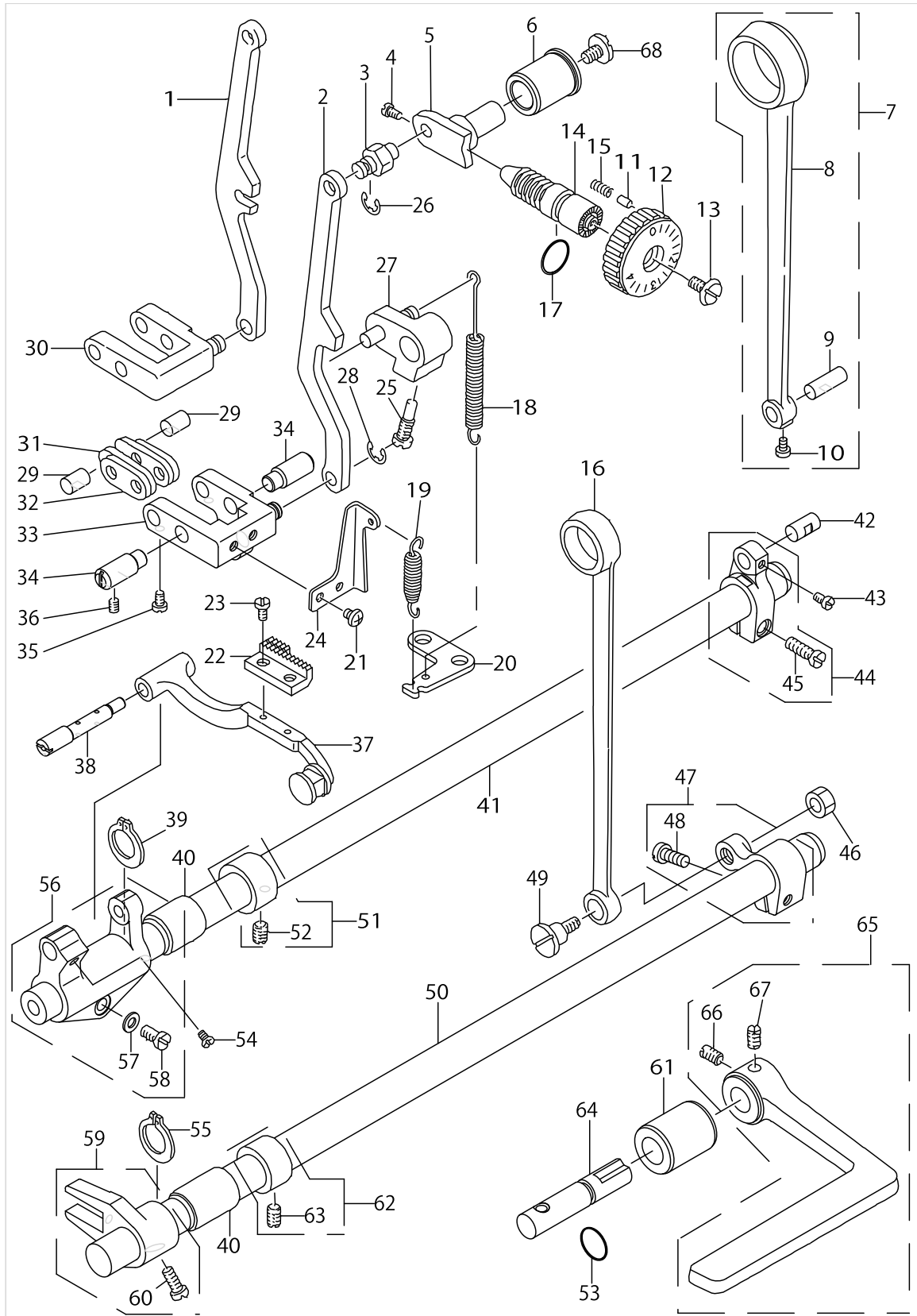
HAND LIFTER COMPONENTS



HAND LIFTER COMPONENTS

No.	Parts No.	Parts name	Remarks	Level	Cons	Qty
48	SD0600322SD	HINGE SCREW D=6 H=3.2				1
49	22907703	PRESSER GUIDE BAR				1

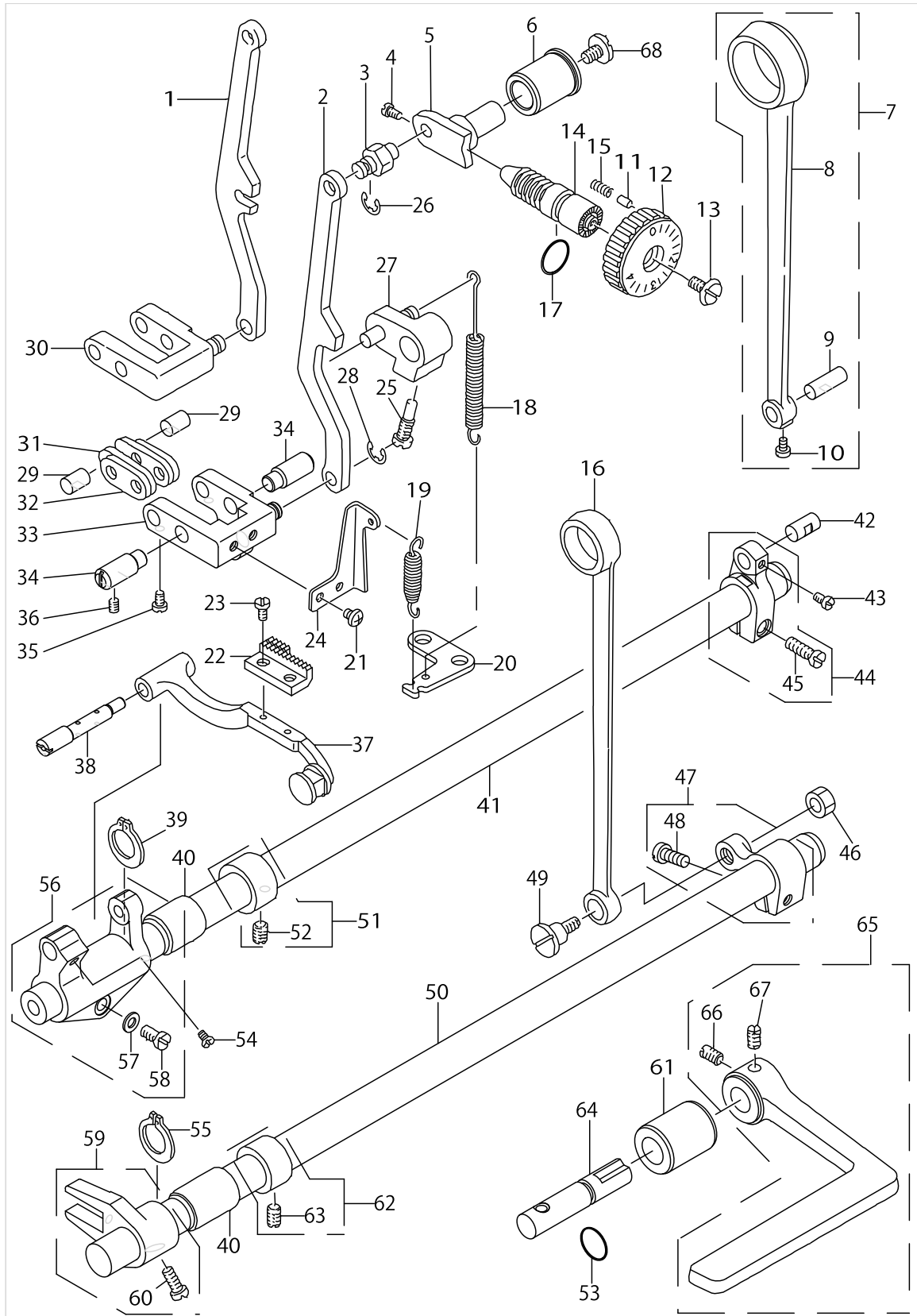
FEED MECHANISM COMPONENTS



FEED MECHANISM COMPONENTS

No.	Parts No.	Parts name	Remarks	Level	Cons	Qty
1	11009503	FEED REGULATOR CONNCTING ROD	FOR DLM-5400N-7-00			1
2	22941108	FEED ADJUST ROD	FOR DLM-5400N-7-0B,-WB			1
3	22911507	WALKING FOOT PIN C				1
4	SS7090520TP	SCREW 9/64-40 L= 4.5				2
5	11009701	FEED REGULATOR				1
6	11009800	FEED REGULATOR BUSHING				1
7	22910251	ROCKERSHAFTCONNECTINGRODASM.				1
8	22910202	ROCKER SHAFT CONNECTING ROD		*		1
9	22911101	WALKING FOOT PIN C		*		1
10	SS6090620TP	SCREW		*		1
11	22912000	FEED REGULATOR PIN				1
12	22940506	FEED DIAL				1
13	SS6121860SP	SCREW 3/16-28 L=18				1
14	22911804	FEED REGULATOR SCREW				1
15	B1148555000	SPRING				1
16	22915003	CONNECTING ROD				1
17	RO092270200	RUBBER RING				1
18	11010311	FEED REVERSE SPRING				1
19	11037405	SPRING				1
20	22913701	FEED SPRING HOOK				1
21	SS4110515SP	SCREW 11/64-40 L=5				2
22	B1613522N00A	FEED DOG				1
23	SS4080620TP	SCREW 1/8-44 L=6				2
24	22941306	REGULATOR LINK SPRING HOOK				1
25	22912505	FEED REVERSE ARM SCREW				1
26	RE0500000K0	E-RING				1
27	22912257	FEED REVERSE ARM ASM.				1
28	RE0500000K0	E-RING				1
29	22910905	WALKING FOOT PIN A				2
30	22910459	FEED ADJUSTING LINK ASM.	FOR DLM-5400N-7-00			1
31	40089548	CONNECTING LINK B				2
32	40093417	CONNECTING LINK A				2
33	22940951	FEED ADJUST LINK ASM.	FOR DLM-5400N-7-0B,-WB			1
34	22910806	ADJUST LINK FULCRUM SHAFT A				2
35	SS6090620TP	SCREW				2
36	SS8150710TP	SCREW 15/64-28 L=7				2
37	22940753	FEED BAR ASM.				1
38	22940803	FEED BAR SHAFT				1
39	RC0150001KP	RETAINING RING 13.8				1
40	22913008	FEED ROCKER SHAFT BUSHING				2
41	22912901	FEED ROCKER SHAFT				1
42	22911002	WALKING FOOT PIN B				1
43	SS6090620TP	SCREW				1
44	22910350	FEED ROCKER SHAFT CRANK ASM.				1
45	SS6121610SP	SCREW 3/16-28 L=15.5		*		1
46	NS6680410SP	NUT 9/32-28				1
47	22915151	FEED ARM COMPL.				1

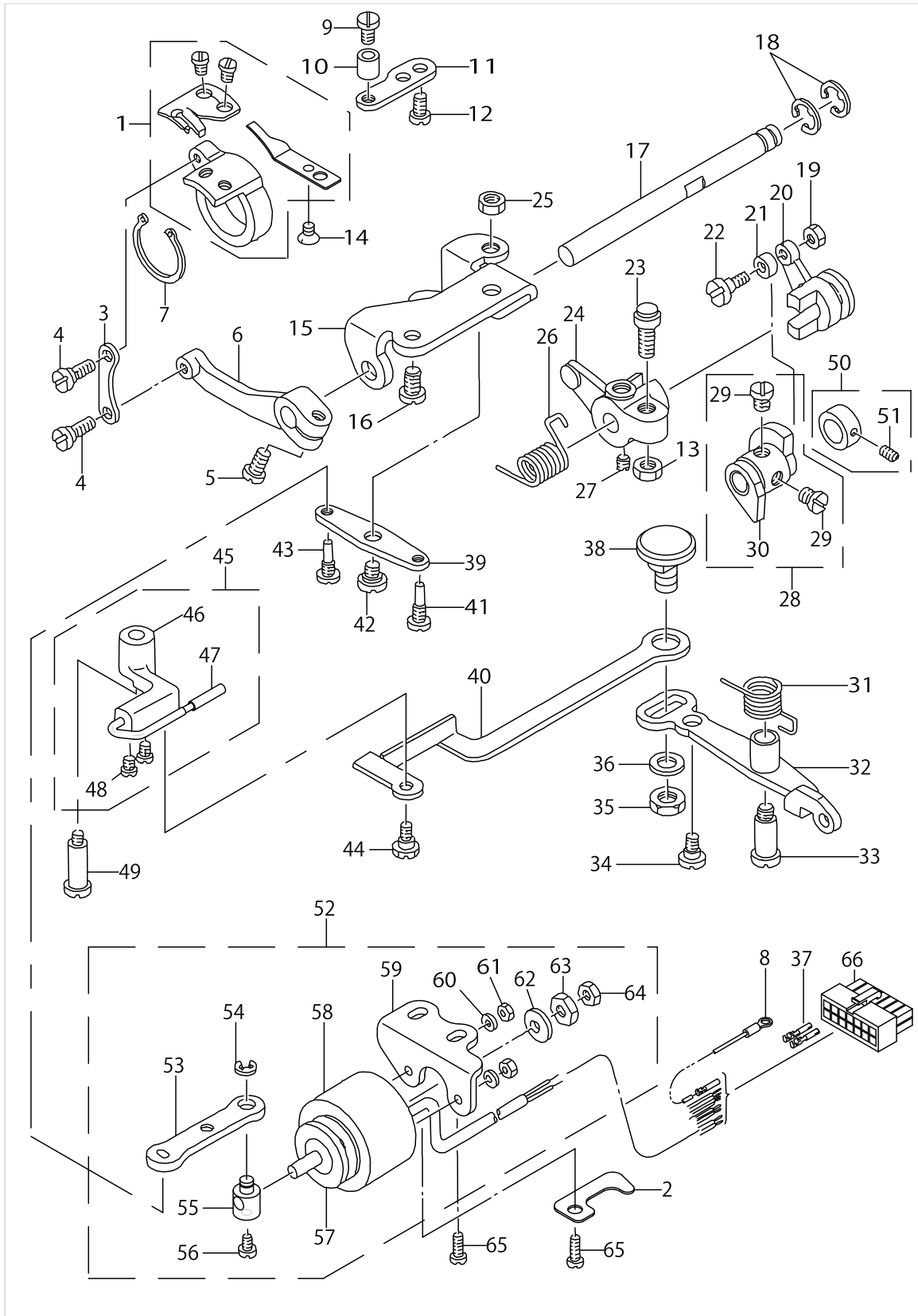
FEED MECHANISM COMPONENTS



FEED MECHANISM COMPONENTS

No.	Parts No.	Parts name	Remarks	Level	Cons	Qty
48	SS7121610SP	SCREW 3/16-28 L=15.5		*		1
49	SD1000801SH	HINGE SCREW D=10 H=8				1
50	22915201	FEED DRIVING SHAFT				1
51	22904155	MAIN SHAFT THRUST COLLAR ASM.				1
52	SS8660610TP	SCREW 1/4-40 L=6		*		2
53	RO078190100	RUBBER RING				1
54	SS7110740TP	SCREW 11/64-40 L=7				1
55	RC0150001KP	RETAINING RING 13.8				1
56	22940654	FEED ROCKER ASM.				1
57	WP0480856SP	WASHER 4.8X8.4X0.8		*		1
58	SS7121410TP	SCREW 3/16-28 L=14		*		1
59	22915359	DRIVING SHAFT CRANK ASM.				1
60	SS7111120SP	SCREW 11/64-40 L=10.5		*		1
61	22912802	FEED LEVER SHAFT BUSHING				1
62	22904155	MAIN SHAFT THRUST COLLAR ASM.				1
63	SS8660610TP	SCREW 1/4-40 L=6		*		2
64	22912604	FEED REVERSE SHAFT				1
65	22912752	FEED LEVER ASM.				1
66	SM8061010TP	SCREW		*		1
67	SM8061050TP	SCREW		*		1
68	SS7120770SH	SCREW 3/16-28 L=7				1

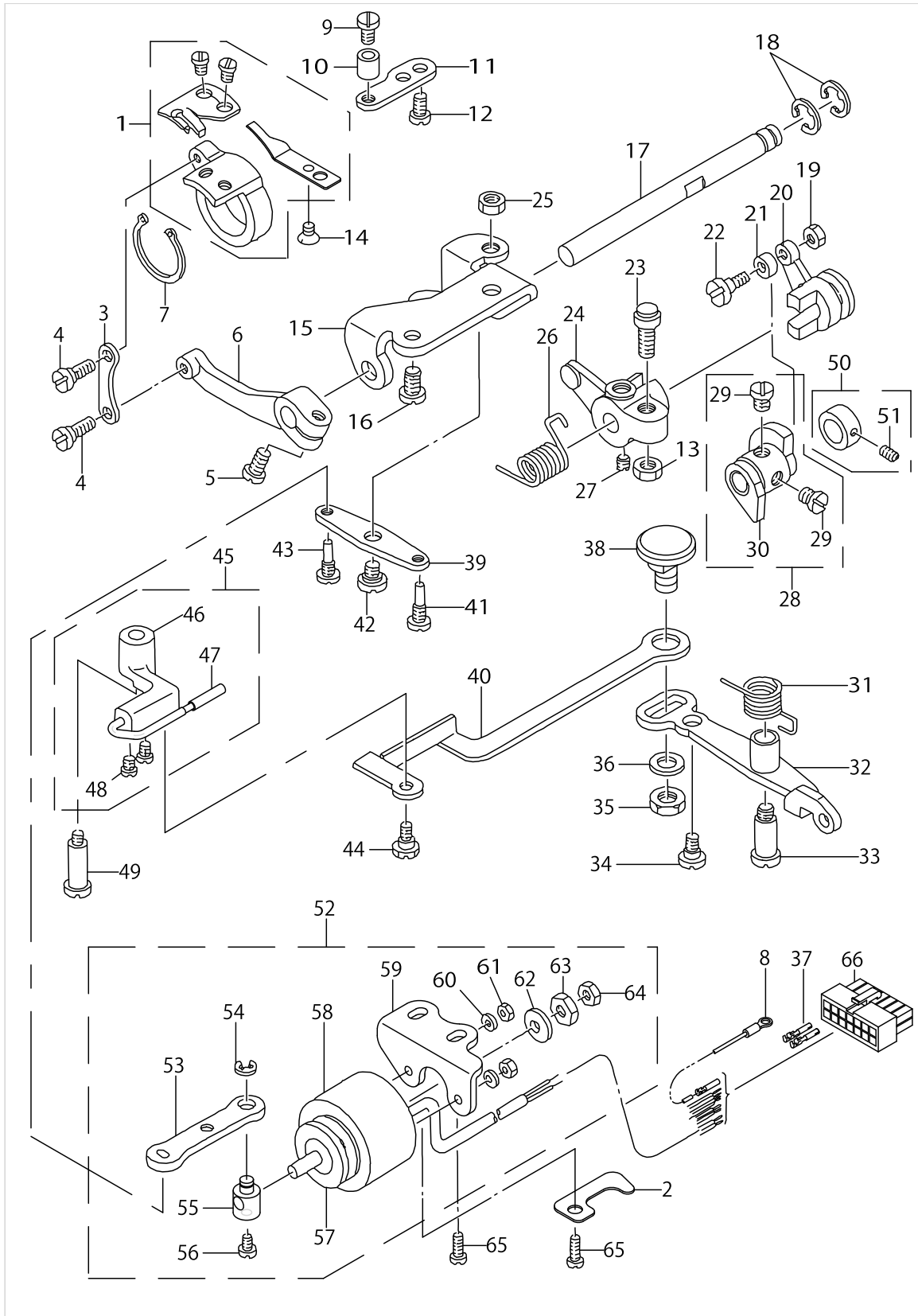
THREAD TRIMMER MECHANISM COMPONENTS



THREAD TRIMMER MECHANISM COMPONENTS

No.	Parts No.	Parts name	Remarks	Level	Cons	Qty
1	40120641	MOVING KNIFE ASM.				1
2	22924807	PIPE HOLDER LOWER				1
3	11352101	MOVING KNIFE LINK				1
4	SD0500251SP	HINGE SCREW D= 5 H= 2.5				2
5	SS6121220TP	SCREW 3/16-28 L=11.5				1
6	11352200	KNIFE DRIVING				1
7	RC2651218KP	RETAINING RING				1
8	22951552	GROUND WIRE ASM.				1
9	SS8110710SP	SCREW 11/64-40 L=6.5				1
10	11354602	COLLAR				1
11	11351608	KNIFE MOUNTING BASE				1
12	SS4110715SP	SCREW 11/64-40 L=7				2
13	NS6150430SP	NUT 15/64-28				1
14	SS1090510SP	SCREW 9/64-40 L=5				1
15	11352408	BASE PLATE				1
16	SS4150915SP	SCREW 15/64-28 L=9				2
17	11352309	KNIFE DRIVING SHAFT				1
18	RE0600000K0	E-RING 6				2
19	NS6110310SP	NUT 11/64-40				1
20	11352606	SLIDE ARM				1
21	11354404	DRIVING ROLLER				1
22	D2588L8WB00	ROLLER SHAFT				1
23	B14537710A0	STOP SCREW ASM.				1
24	11352507	KNIFE DRIVING ARM				1
25	NS6150310SP	NUT 15/64-28				1
26	11353406	SPRING				1
27	SS8660610TP	SCREW 1/4-40 L=6				2
28	11353653	THREAD TRIMMER CAM ASM.				1
29	SS6660610TP	SCREW 1/4-40 L=6		*		2
30	11353604	THREAD TRIMMER CAM		*		1
31	11353505	SPRING				1
32	11353059	CLUTCH LEVER ASM.				1
33	SD0701511TP	HING SCREW D=7 H=15.1				1
34	SD0600361SP	HINGE SCREW D=6 H=3.6				1
35	NS6150430SP	NUT 15/64-28				1
36	WP0621016SH	WASHER				1
37	HK03464000B	PIN CONTACT				2
38	22950000	PICKER LINK PIN				1
39	11352903	CLUTCH PLATE				1
40	11354107	PICKER LINK				1
41	11352705	SCREW PIN A				1
42	SD0640261SP	HINGE SCREW D=3.65 H=2.6				1
43	11352804	SCREW PIN B				1
44	SD0630275SP	HINGE SCREW D= 6.35 H= 2.7				1
45	11354057	PICKER ARM ASM.				1
46	11354008	PICKER ARM		*		1
47	22950356	HOOK THREAD PRESSER ASM.		*		1

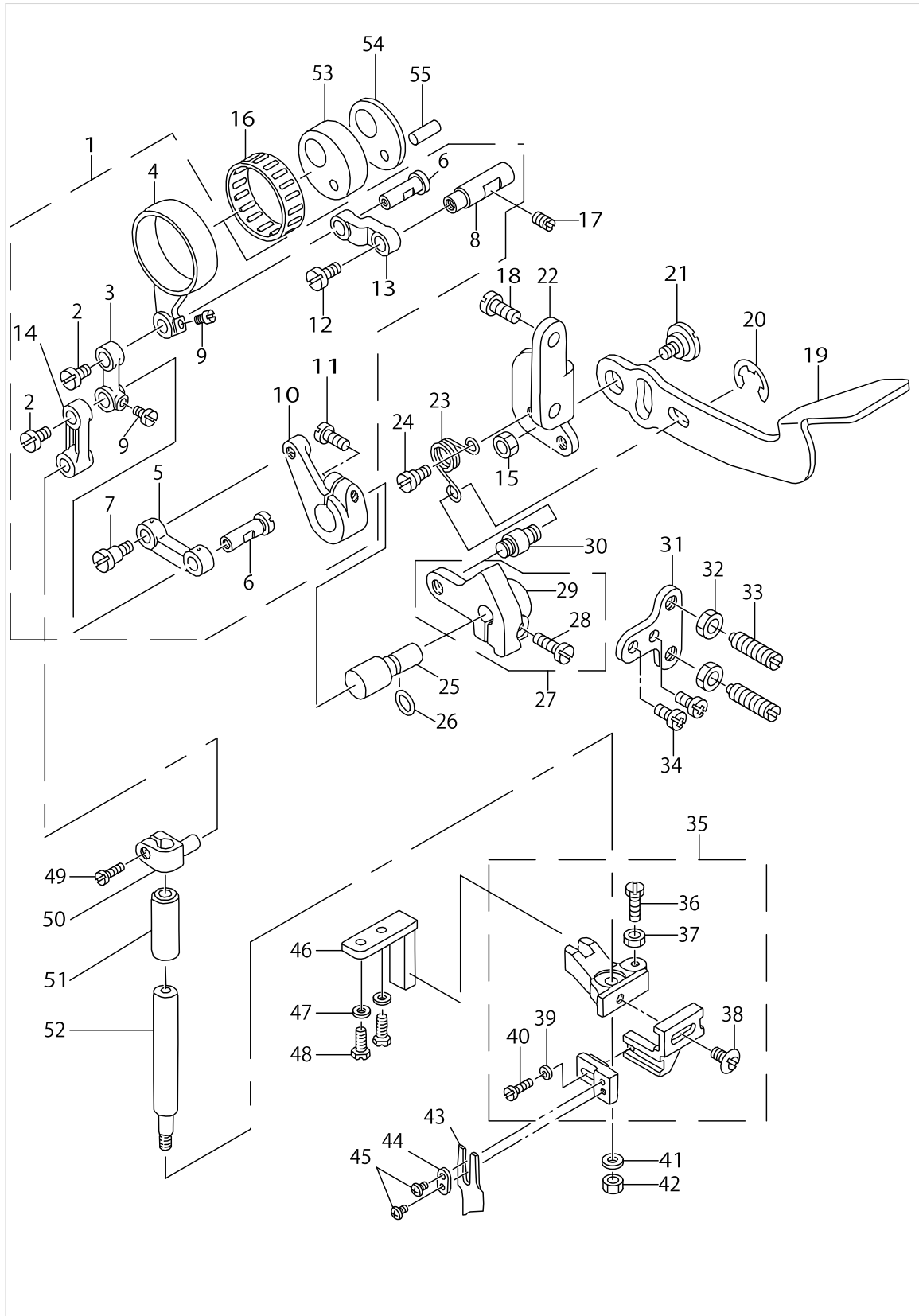
THREAD TRIMMER MECHANISM COMPONENTS



THREAD TRIMMER MECHANISM COMPONENTS

No.	Parts No.	Parts name	Remarks	Level	Cons	Qty
48	SS6090510TP	SCREW 9/64-40 L= 5.0		*		2
49	SD0641452TP	HINGE SCREW D=6.35 H=14.5				1
50	22950950	CAM COLLAR ASM.				1
51	SS8110520TP	SCREW 11/64-40 L= 4.5		*		1
52	11355054	SOLENOID UNIT				1
53	11353307	CLUTCH LINK		*		1
54	RE0500000K0	E-RING		*		1
55	22951008	SOLENOID PIN		*		1
56	SS6110710TP	SCREW 11/64-40 L= 6.5		*		1
57	11043205	SOLENOID RUBBER A		*		1
58	11043908	THREAD TRIMMER SOLENOID		*		1
59	22951404	SOLENOID BASE		*		1
60	WP0450000SD	WASHER 4.5X8X0.5		*		2
61	NM6040000SN	NUT M4		*		2
62	11043304	SOLENOID RUBBER		*		1
63	NS6660410SH	NUT		*		1
64	NS6660430SP	NUT 1/4-40		*		1
65	SS4151215SP	SCREW 15/64-28 L=12				2
66	HK034610140	HOUSING 14P				1

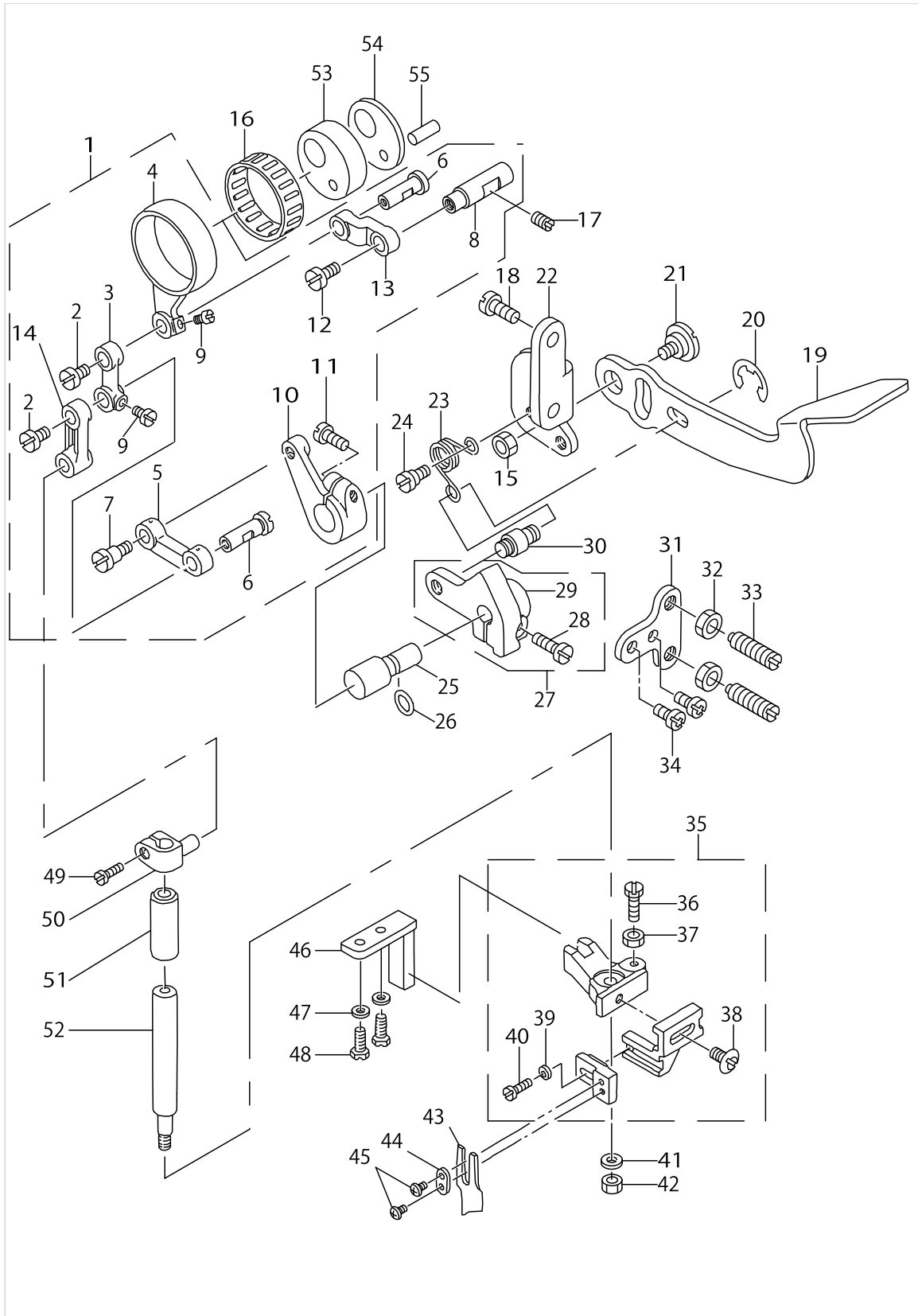
KNIFE COMPONENTS



KNIFE COMPONENTS

No.	Parts No.	Parts name	Remarks	Level	Cons	Qty
1	11356953	KNIFE ROD ASM.				1
2	SS7110830SP	SCREW 11/64-40 L= 7.5		*		2
3	11357308	KNIFE DRIVING ROD A		*		1
4	11356904	KNIFE DRIVING ROD		*		1
5	11357506	KNIFE DRIVING LINK		*		1
6	11357209	PIN		*		2
7	SD0640604TP	HING SCREW D=6.35 H=6		*		1
8	11357001	ROD LINK SHAFT		*		1
9	SS7090520TP	SCREW 9/64-40 L= 4.5		*		2
10	11357704	LINK SUPPORT ARM		*		1
11	SS6121220TP	SCREW 3/16-28 L=11.5		*		1
12	SS7110830SP	SCREW 11/64-40 L= 7.5		*		1
13	11357100	KNIFE DRIVING ROD LINK		*		1
14	11357407	KNIFE DRIVING ROD B		*		1
15	NS6160520SP	NUT 1/4-24				1
16	B412352200A	NEEDLE BEARING				1
17	SS8151150TP	SCREW 15/64-28 L=10.5				1
18	SS4150915SP	SCREW 15/64-28 L=9				2
19	11358207	KNIFE LEVER				1
20	RE0500000K0	E-RING				1
21	SD0920321SP	HINGE SCREW D= 9.20 H= 3.2				1
22	11358108	KNIFE LEVER BASE				1
23	B4126530000	SPRING				1
24	SD0790431SP	HINGE SCREW D= 7.94 H= 4.3				1
25	11357803	KNIFE SET LEVER SHAFT				1
26	RO048190100	RUBBER RING				1
27	11357951	KNIFE SHIFTING BASE ASM.				1
28	SS6121220TP	SCREW 3/16-28 L=11.5		*		1
29	11357902	KNIFE SET LEVER BASE		*		1
30	B4124530000	SET LEVER PIN				1
31	11358306	KNIFE LEVER STOPPER				1
32	NS6150310SP	NUT 15/64-28				2
33	SS8152080SP	SCREW 15/64-28 L=19.5				2
34	SS4120915SP	SCREW 3/16-28 L=9				2
35	B41175300A0	KNIFE MOUNTING BASE ASM.				1
36	SS9121410TP	SCREW 3/16-28 L=14		*		1
37	NS6120310SP	NUT 3/16-28		*		1
38	SS6110810TP	SCREW 11/64-40 L=8		*		1
39	WP0371026SD	WASHER 3.7X7X1		*		1
40	SS6090910SP	SCREW 9/64-40 L=9		*		1
41	WP0501016SD	WASHER 5X10.5X1				1
42	NS6120480SP	NUT 3/16-28				1
43	B4121522000	KNIFE				1
44	B4122522000	WASHER				1
45	SS4080515SP	SCREW 1/8-44 L=5				2
46	B4120530000	KNIFE MOUNTING BASE GUIDE				1
47	WP0480856SP	WASHER 4.8X8.4X0.8				2

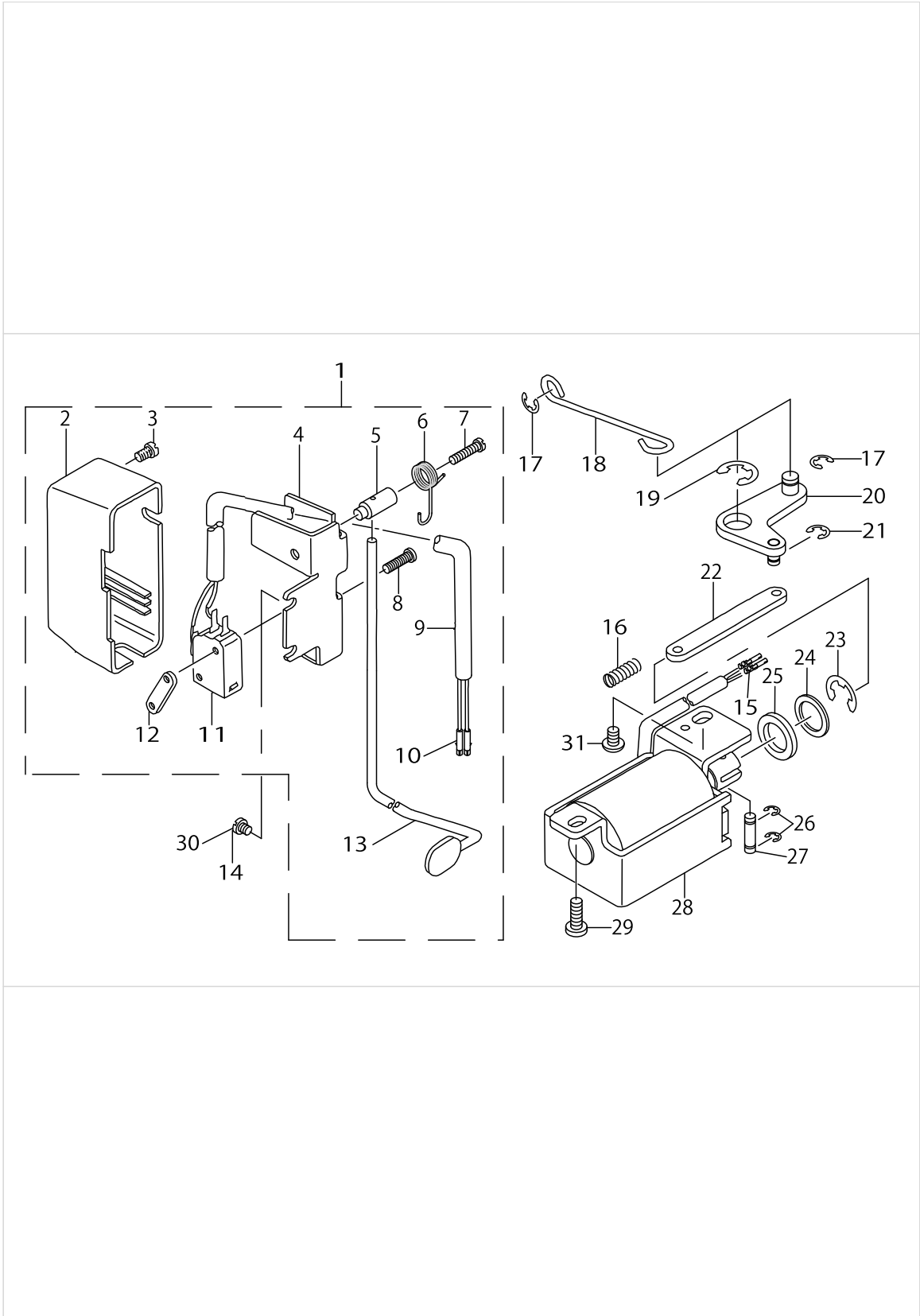
KNIFE COMPONENTS



KNIFE COMPONENTS

No.	Parts No.	Parts name	Remarks	Level	Cons	Qty
48	SS9121010TP	SCREW				2
49	SS6090810TP	SCREW 9/64-40 L=7.5				1
50	B4115530000	KNIFE DRIVING STUD CONNECTION				1
51	B4116530000	BUSHING				1
52	B4114530000	KNIFE DRIVING STUD				1
53	B4101531000	KNIFE MOUNTING BASE ASM.				1
54	B4132522000A	THRUST PLATE				1
55	B4107522000	PIN				1

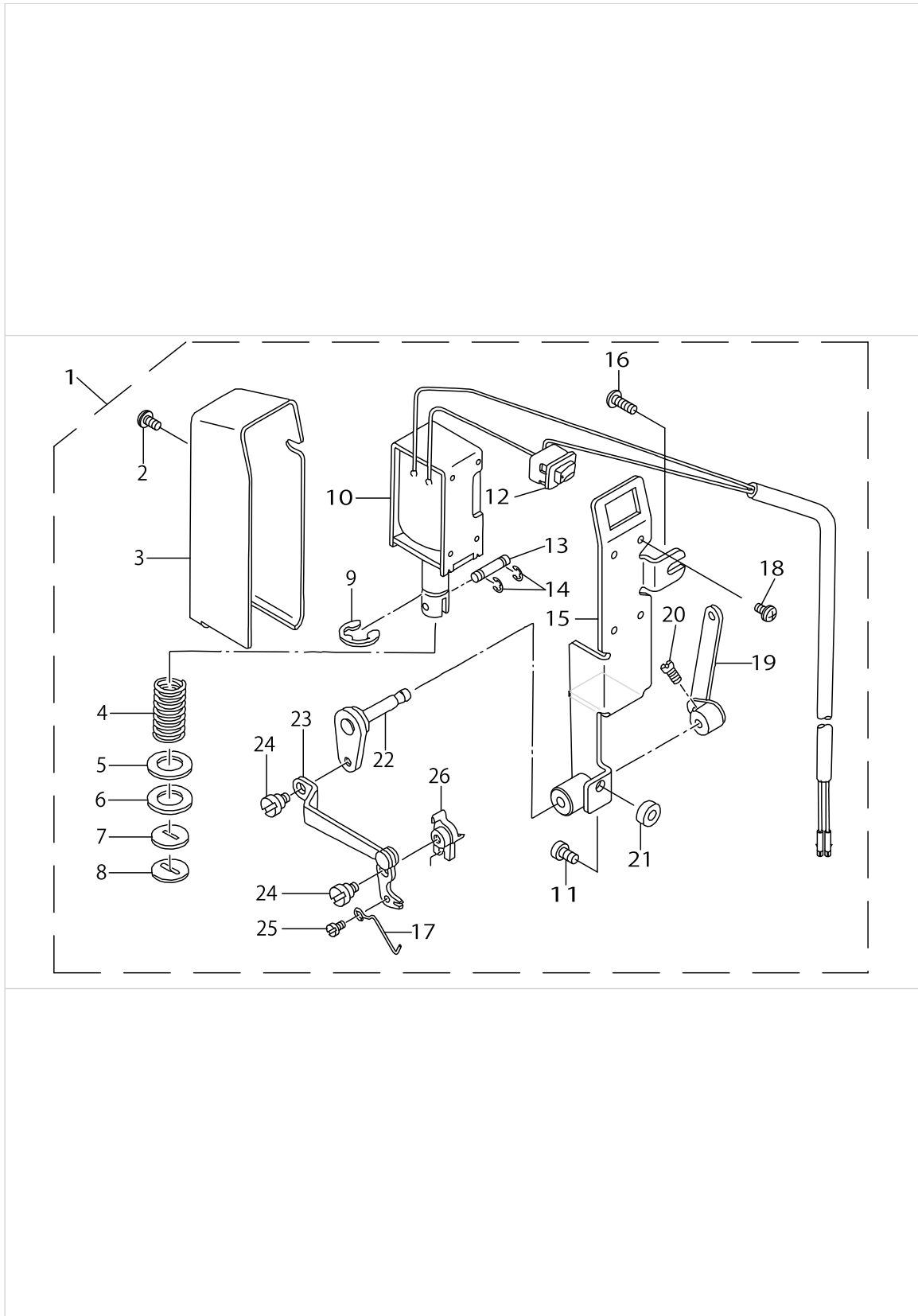
AUTOMATIC REVERSE FEED COMPONENTS (FOR DLM-5400N-7-0B,-WB)



AUTOMATIC REVERSE FEED COMPONENTS (FOR DLM-5400N-7-0B,-WB)

No.	Parts No.	Parts name	Remarks	Level	Cons	Qty
1	11362357	REVERSE FEED SWITCH ASM.				1
2	22954606	REVERSE FEED SWITCH COVER		*		1
3	SM4040655SP	SCREW M4 L=6		*		1
4	22954101	REVERSE FEED SWITCH BASE		*		1
5	22954200	REVERSE FEED SWITCH SHAFT		*		1
6	22954309	REVERSE FEED SWITCH SPRING		*		1
7	SM4041655SP	SCREW M4 L=16		*		1
8	SM4031501SC	SCREW M3 L=15		*		2
9	HW500070000	2-CORE CABTYRE CORD		*		1.31
10	HK03464000B	PIN CONTACT		*		2
11	HA001900000	MICROSWITCH		*		1
12	22954408	STOPPER PLATE		*		1
13	11364700	REVERSE FEED SWITCH LEVER		*		1
14	SS4120615SP	SCREW 3/16-28 L=6	FOR DLM-5400N-7-0B			1
15	HK03464000B	PIN CONTACT				2
16	11217601	WALKING FOOT SPRING				1
17	RE0500000KP	E-RING 5				2
18	11101300	REVERSE FEED CONNECTING SHAFT				1
19	RE0900000K0	E-RING 9				1
20	22953657	AUTO-BACK ARM ASM.				1
21	RE0400000KP	E-RING 4				1
22	22953905	CONNECTING LINK				1
23	RE1200000K0	E-RING 12				1
24	WP1602616SZ	WASHER 16X24X2.6				1
25	D2468555B00	RUBBER PLUNGER				1
26	RE0400000K0	E-RING 4				2
27	22953509	REVERSE FEED PLUNGER ARM PIN				1
28	11102753	REVERSE FEED MAGNET ASM.				1
29	SS4151215SP	SCREW 15/64-28 L=12				1
30	SS4120915SP	SCREW 3/16-28 L=9				1
31	SS4150915SP	SCREW 15/64-28 L=9				1

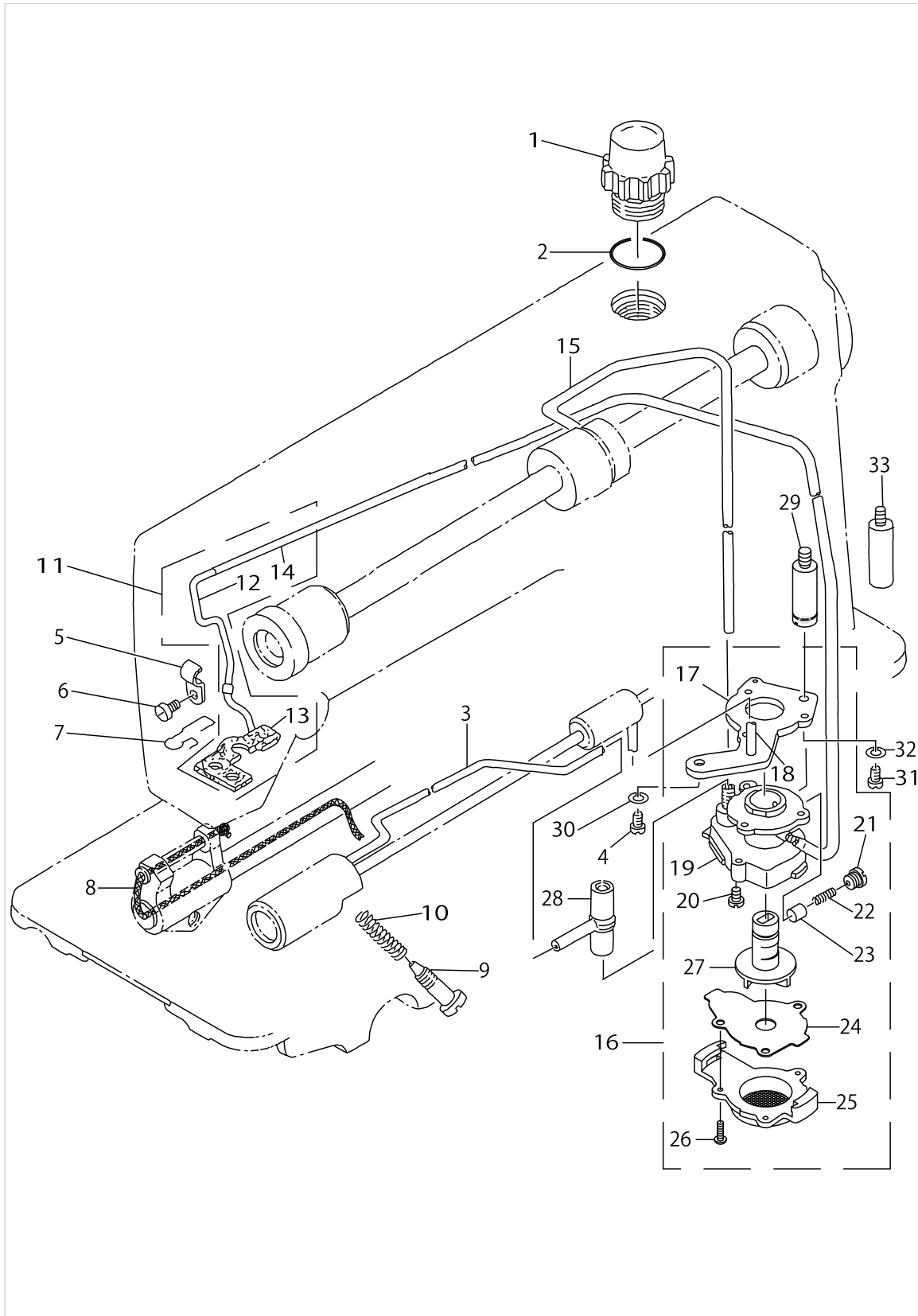
WIPER COMPONENTS (FOR DLM-5400N-7-WB)



WIPER COMPONENTS (FOR DLM-5400N-7-WB)

No.	Parts No.	Parts name	Remarks	Level	Cons	Qty
1	11362456	WIPER ASM.				1
2	SL4030631SC	SCREW M3X6		*		1
3	11258001	WIPER COVER		*		1
4	11233400	SPRING		*		1
5	WP1221016SP	WASHER		*		1
6	11234408	SOLENOID RUBBER		*		1
7	11233301	STOPPER RUBBER		*		1
8	11234606	STOPPER RUBBER WASHER		*		1
9	RE0900000K0	E-RING 9		*		1
10	40112705	WIPER SOLENOID ASM.		*		1
11	SS4121415SP	SCREW 3/16-28 L=14		*		1
12	HA006000000A	SWITCH		*		1
13	11234507	PLUNGER CONNECTING PIN		*		1
14	RE0300000K0	E-RING 3		*		2
15	11233053	WIPER INSTALLING BASE ASM.		*		1
16	SS4120915SP	SCREW 3/16-28 L=9		*		1
17	11359700	WIPER		*		1
18	SL4030641SE	SCREW		*		4
19	11233251	WIPER LEVER B ASM.		*		1
20	SS6110710TP	SCREW 11/64-40 L= 6.5		*		2
21	13522206	COLLAR		*		1
22	11360153	WIPER LEVER ASM. A		*		1
23	11359957	WIPER ARM ASM.		*		1
24	SD0550212TP	HINGE SCREW D=5.5 H=2.1		*		2
25	SS7090410SP	SCREW 9/64-40 L= 3.5		*		1
26	11359809	WIPER BASE		*		1

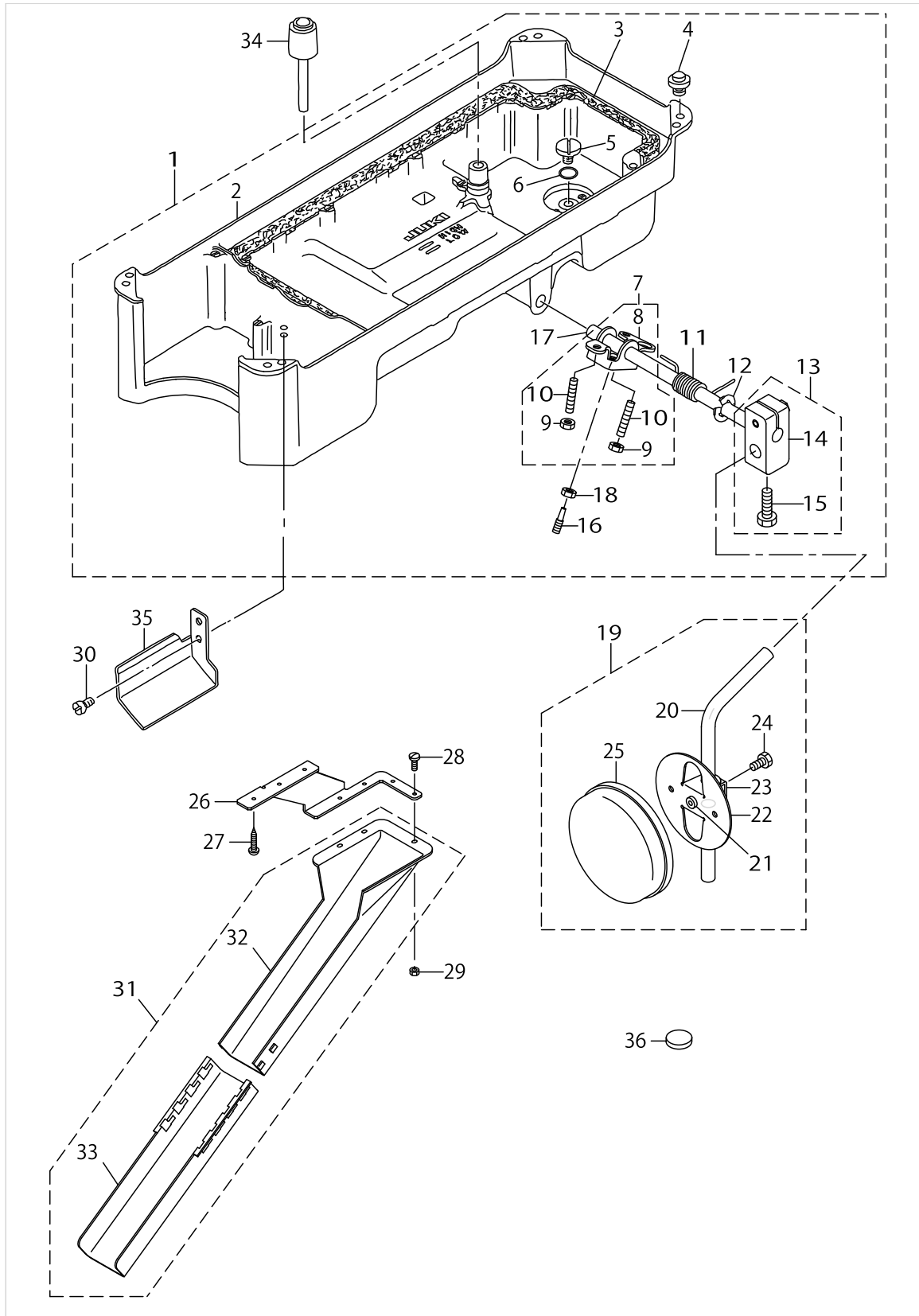
OIL LUBRICATION COMPONENTS



OIL LUBRICATION COMPONENTS

No.	Parts No.	Parts name	Remarks	Level	Cons	Qty
1	22947006	OIL SIGHT WINDOW				1
2	RO195240100	RUBBER RING				1
3	22924500	HOOK OIL TUBE				1
4	SS4150915SP	SCREW 15/64-28 L=9				1
5	B3538112000	OIL RETURN TUBE HOLDER				1
6	SS4120615SP	SCREW 3/16-28 L=6				1
7	11356201	OIL FELT PRESSER				1
8	CQ252000000	OIL WICK				0.3
9	22925002	OIL REGULATOR SCREW				1
10	22924906	OIL REGULATOR SCREW SPRING				1
11	11355955	OIL RETURN TUBE ASM.				1
12	11355906	OIL RETURN TUBE		*		1
13	11356052	OIL FELT ASM.		*		1
14	BT0500300EA	OIL TUBE		*		0.52
15	22924401	MAIN SHAFT OIL TUBE				1
16	22923056	OIL PUMP ASM.				1
17	22923312	PUMP BODY INSTALLING PLATE		*		1
18	22923908	HOOK DRIVING SHAFT OILING PIPE		*		1
19	22923015	PUMP BODY		*		1
20	SL4030851SF	SCREW M3 L=8		*		3
21	22923502	PLUNGER SCREW		*		1
22	22923601	PLUNGER SPRING		*		1
23	22923403	PLUNGER		*		1
24	22923809	PUMP BODY SUPPORT PLATE		*		1
25	22923205	PUMP BODY COVER		*		1
26	SE4301041SR	SCREW D=3 L=10		*		3
27	22923700	IMPELLER		*		1
28	22924609	RUBBER JOINT				1
29	22947105	PUMP BODY STRUT	FOR DLM-5400N-7-0B,-WB			1
30	WS0651310KP	SPRING WASHER 6.5X11X1.3	FOR DLM-5400N-7-0B,-WB			1
31	SS6111010TP	SCREW 11/64-40 L= 9.5				1
32	WS0451040KP	SPRING WASHER 4.5X8.5X1	FOR DLM-5400N-7-0B,-WB			1
33	22924005	PUMP BODY STRUT	FOR DLM-5400N-7-00			1

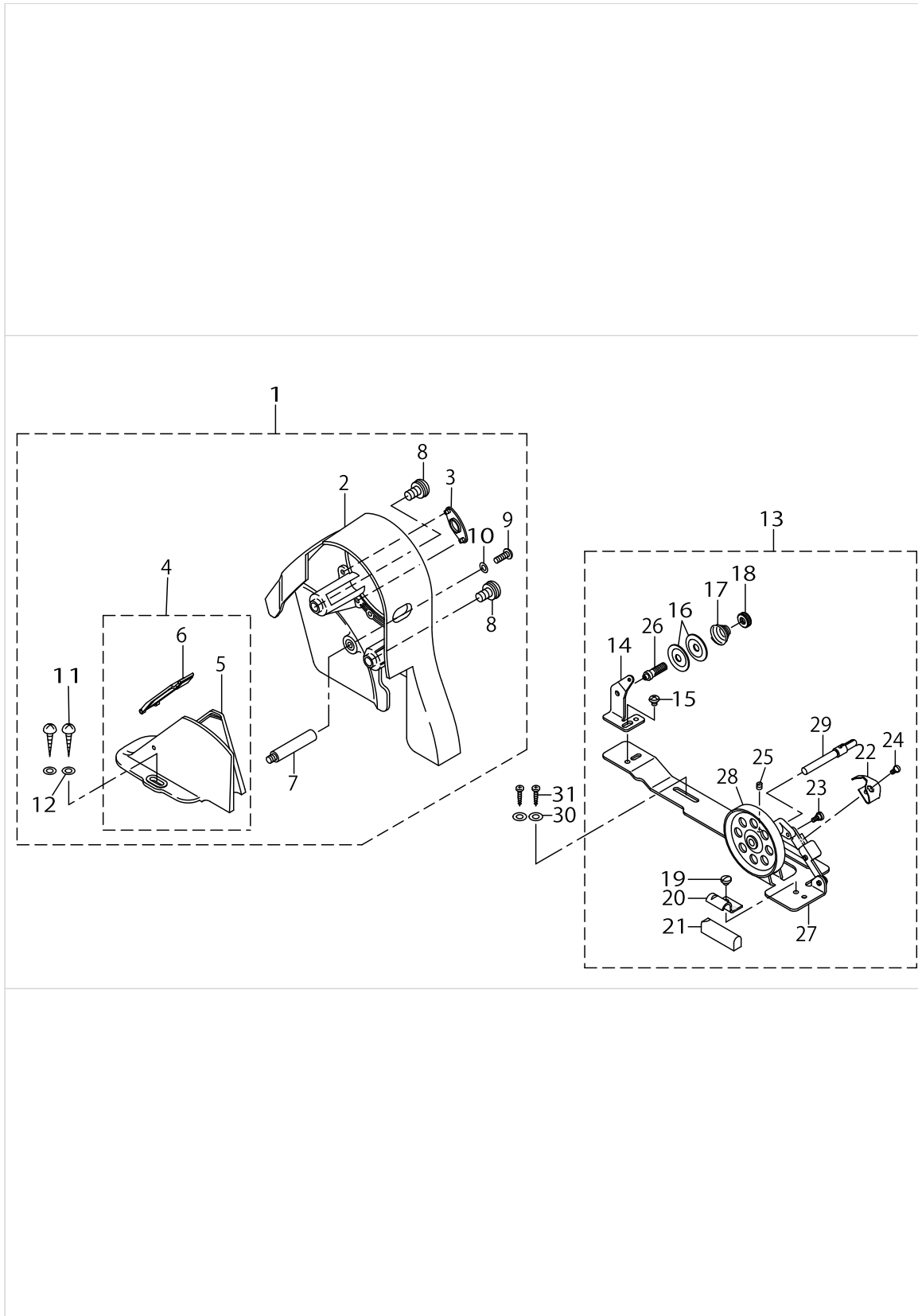
OIL RESERVOIR COMPONENTS



OIL RESERVOIR COMPONENTS

No.	Parts No.	Parts name	Remarks	Level	Cons	Qty
1	11360757	OIL RESERVOIR ASM.				1
2	11360708	OIL RESERVOIR		*		1
3	11023108	GASKET		*		1
4	11047107	RUBBER CUSHION		*		4
5	SS6700710SH	SCREW 5/16-24 L=7		*		1
6	RO098240100	RUBBER RING		*		1
7	22932156	KNEE LIFTER ROTATION ARM ASM.		*		1
8	22932107	KNEE LIFTER ROTATION ARM		*		1
9	NM6060001SE	NUT M6		*		2
10	SM8063012TR	SCREW M6 L=30		*		2
11	22932206	SPRING		*		1
12	RE1000000K0	E-RING 10		*		1
13	22932453	BRACKET ASM.		*		1
14	22932404	BRACKET		*		1
15	22934707	BRACKET SCREW		*		2
16	40101720	SCREW_M6		*		1
17	22932305	KNEE PRESS ROD		*		1
18	NM6060001SE	NUT M6		*		1
19	22934251	KNEE PAD PLATE ASM.				1
20	22934608	KNEE PAD UPRIGHT SHAFT		*		1
21	22934400	KNEE PAD PLATE RUBBER		*		1
22	22934202	KNEE PAD PLATE		*		1
23	22934301	KNEE PAD PLATE SUPPORT		*		1
24	SM9061203SE	SCREW M6 L=12		*		1
25	22934509	KNEE PAD PLATE COVER		*		1
26	40101287	WASTE MATERIAL CHUTE HOLDER				1
27	SK3412000SC	WOOD SCREW D=4.1 L=20				3
28	SS7091110TP	SCREW 9/64-40 L=10.5				3
29	NS6090310SP	NUT 9/64-40				3
30	SS4110715SP	SCREW 11/64-40 L=7				2
31	40056521	WASTE MATERIAL CHUTE HOLDER ASM.				1
32	40053719	CLOTH WASTE CHUTE UPPER		*		1
33	12341806	CLOTH WASTE CHUTE		*		1
34	22931703	KNEE LIFTER PUSH ROD				1
35	11361003	OIL PUSH GUIDE				1
36	B8228125000	OIL RESERVOIR MAGNET				1

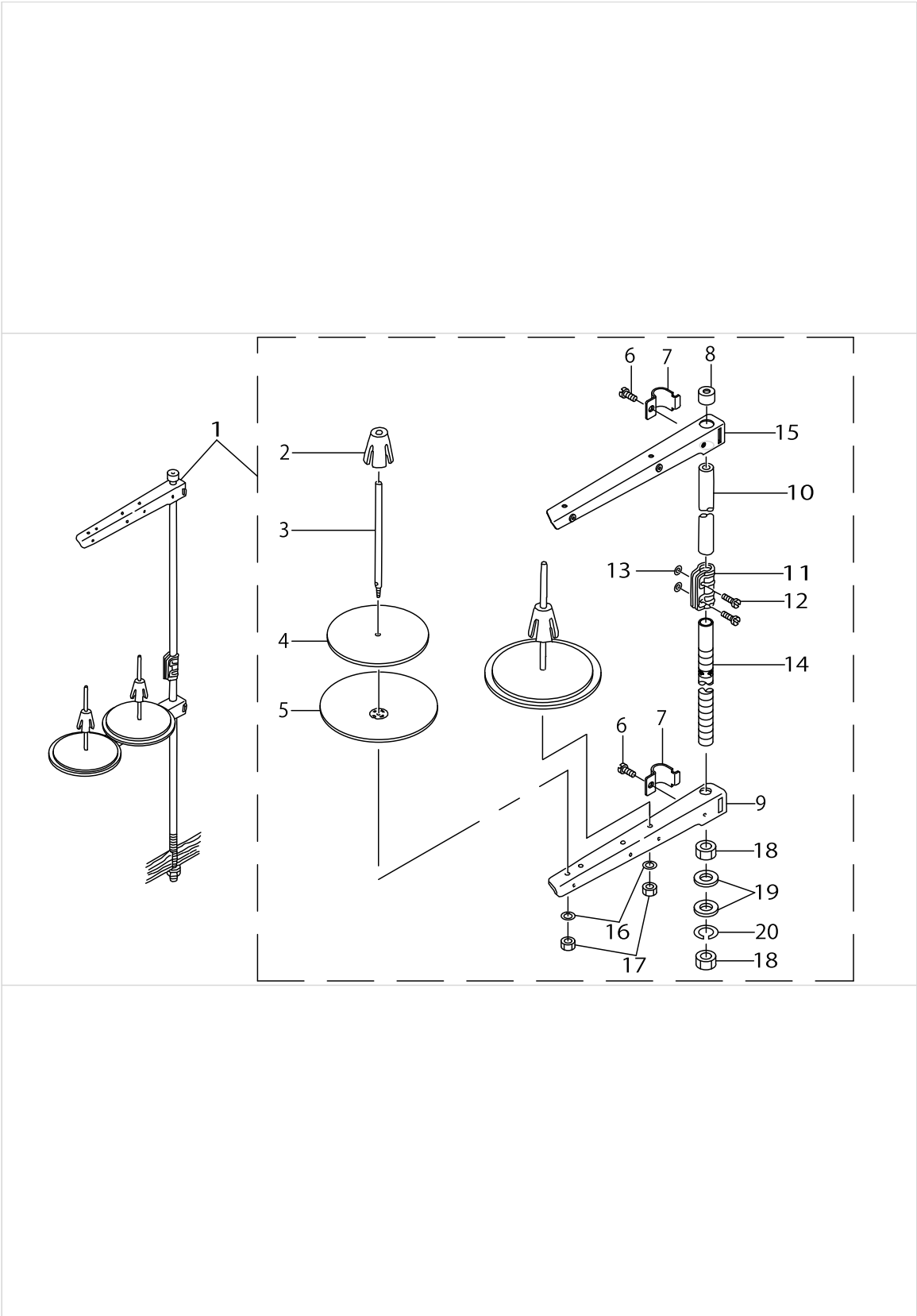
BELT COVER & BOBBIN WINDER COMPONENTS



BELT COVER & BOBBIN WINDER COMPONENTS

No.	Parts No.	Parts name	Remarks	Level	Cons	Qty
1	22933451	BELT COVER ASM.				1
2	22933402	BELT COVER A		*		1
3	22933501	BELT COVER A CAP		*		1
4	22933659	BELT COVER B COMPL.		*		1
5	22933600	BELT COVER B		*		1
6	22933758	BELT COVER B LID ASM.		*		1
7	22933907	BELT COVER STRUT		*		1
8	22934004	SET SCREW		*		2
9	SS4121415SP	SCREW 3/16-28 L=14		*		1
10	WP0501016SD	WASHER 5X10.5X1		*		1
11	SK3412000SC	WOOD SCREW D=4.1 L=20		*		2
12	WP0450826SC	WASHER 4.5X10X0.8		*		2
13	22927354	BOBBIN WINDER COMPL.				1
14	22928501	THREAD TENSION POST BASE		*		1
15	SS4110515SP	SCREW 11/64-40 L=5		*		1
16	22928907	THREAD TENSION DISK		*		2
17	22929004	THREAD TENSION SPRING		*		1
18	22928808	NUT		*		1
19	SS7110350SP	SCREW 11/64-40 L=3.5		*		1
20	22928402	CONTROL RUBBER HOLDING PLATE		*		1
21	22928303	CONTROL RUBBER		*		1
22	22928105	BOBBIN PRESSER		*		1
23	SD0490261SP	HINGE SCREW D=4.9 H=2.6		*		1
24	SS7081310SP	SCREW 1/8-44 L=12.5		*		1
25	SS8110510SP	SCREW 11/64-40 L=5		*		1
26	22928709	THREAD TENSION POST		*		1
27	22927305	BOBBIN WINDER BASE		*		1
28	22927404	BOBBIN WINDER		*		1
29	22927602	BOBBIN WINDER SPINDLE		*		1
30	WP0450826SC	WASHER 4.5X10X0.8				2
31	SK3412000SC	WOOD SCREW D=4.1 L=20				2

THREAD STAND COMPONENTS



THREAD STAND COMPONENTS

No.	Parts No.	Parts name	Remarks	Level	Cons	Qty
1	22930358	THREAD STAND ASM.				1
2	22931109	SPOOL RETAINER		*		2
3	22931000	SPOOL PIN		*		2
4	22930903	SPOOL REST CUSHION		*		2
5	22930804	SPOOL REST		*		2
6	SM6061610SC	SCREW M6 L=16		*		2
7	22930705	THREAD GUIDE ARM JOINT		*		2
8	22931406	SPOOL REST ROD RUBBER CAP		*		1
9	22930507	SPOOL REST ARM		*		1
10	22930408	SPOOL REST ROD UPPER		*		1
11	22931307	SPOOL REST ROD JOINT		*		1
12	SM4051405SE	SCREW M5 L=14		*		2
13	NM6050001SE	NUT M5		*		2
14	22930309	SPOOL REST ROD LOWER		*		1
15	22930556	THREAD STANDING ARM ASM.		*		1
16	WS0510002KN	SPRING WASHER		*		2
17	NM6050001SE	NUT M5		*		2
18	NM6160511SE	NUT M16X1.5		*		2
19	WP1612616SE	WASHER 16.1X30X2.6		*		2
20	WS1643202KR	SPRING WASHER		*		1

TABLE OF EXCHANGING GAUGE PARTS (1)

e サブ ゲージ巾	1		2		3		4		5		Type 仕様	Note 備考
	Throat plate 針板		Throat plate cover (asm) accessory 針板蓋 (組) *付属品		Gauge ゲージ		Throat plate chip guard 針板布屑カバー		Throat plate chip guard accessory 針板布屑ガイド *付属品			
	Ref.no	Part no	Ref.no	Part no	Ref.no	Part no	Ref.no	Part no	Ref.no	Part no		
5/64" (2.0mm)	1	11346004	19	B11155310AD	37	B1190522Y0A	55	11346905	73	11347002	Spare parts type 補用パーツ仕様	Cut-after knife type 後メスタイン
3/32" (2.4mm)	2	11346004	20	B11155310AD	38	B1190522X00	56	11346905	74	11347002	Special type 特別仕様	
3/32" (2.4mm)	3	11346004	21	B11155310AD	39	B1190522X0B	57	11346905	75	11347002	Spare parts type 補用パーツ仕様	As compared with B11905 the grooves of the feed dog are 3 rows instead of 2 row: B1190522X00に対し 送り溝を2列 3列
1/8" (3.2mm)	4	11346004	22	B11155310AD	40	B1190522S00	58	11346905	76	11347002	Standard type 標準仕様	
5/32" (4.0mm)	5	11346004	23	B11155310AD	41	B1190522Y00	59	11346905	77	11347002	Special type 特別仕様	
5/32" (4.0mm)	6	11346004	24	B11155310AD	42	11362753	60	11346905	78	11347002	Spare parts type 補用パーツ仕様	For pattern seamer パターンシーマ
5/32" (4.0mm)	7	11346004	25	B11155310AD	43	B1190522Y0R	61	11346905	79	11347002	Spare parts type 補用パーツ仕様	As compared with B11905 the grooves of the feed dog are 3 rows instead of 2 row: B1190522X00に対し 送り溝を2列 3列
3/16" (4.8mm)	8	11346004	26	B11155300AF	44	B1190522T00	62	11346905	80	11347002	Special type 特別仕様	
3/16" (4.8mm)	9	11346004	27	B11155300AF	45	B1190522T0A	63	11346905	81	11347002	Spare parts type 補用パーツ仕様	Cut-before knife type 前メスタイン
3/16" (4.8mm)	10	11346004	28	B11155300AF	46	B1190522Y0C	64	11346905	82	11347002	Spare parts type 補用パーツ仕様	As compared with B1190522T the needle hole of which diam is set to $\phi 1.9$ to 1.2 mm B1190522T00に対し針穴径を
3/16" (4.8mm)	11	11346004	29	B11155300AF	47	B1190522T0D	65	11346905	83	11347002	Special type 特別仕様	As compared with B11905 the grooves of the feed dog are 3 rows instead of 2 row: B1190522X00に対し 送り溝を2列 3列
27/128" (5.3mm)	12	11346004	30	B11155300AF	48	B1190522Y0F	66	11347101	84	11347200	Spare parts type 補用パーツ仕様	
1/4" (6.4mm)	13	11346004	31	B11155300AF	49	B1190522U00	67	11347101	85	11347200	Special type 特別仕様	
1/4" (6.4mm)	14	11346301	32	B11155300AF	50	B1190522U0AA	68	11347101	86	11347200	Spare parts type 補用パーツ仕様	For preventing material from being caught by the 4-teeth feed dog 4枚歯布ずまり防止
5/16" (7.9mm)	15	11346004	33	B11155300AF	51	B1190522Y0B	69	11347101	87	11347200	Spare parts type 補用パーツ仕様	
3/8" (9.5mm)	16	11346004	34	B11155300AM	52	B1190522V00	70	11347309	88	11347408	Special type 特別仕様	
3/8" (9.5mm)	17	11346004	35	B11155300AM	53	B1190522V0A	71	11347309	89	11347408	Spare parts type 補用パーツ仕様	As compared with B1190522 the feed amount of the feed dog is reduced. B1190522V00に対して送り
7/16" (11.1mm)	18	11346004	36	B11155300AM	54	B1190522Y0M	72	11347309	90	11347408	Spare parts type 補用パーツ仕様	

TABLE OF EXCHANGING GAUGE PARTS (1)

No.	Parts No.	Parts name	Remarks	Level	Cons	Qty
1	11346004	NEEDLE PLATE A				1
2	11346004	NEEDLE PLATE A				1
3	11346004	NEEDLE PLATE A				1
4	11346004	NEEDLE PLATE A				1
5	11346004	NEEDLE PLATE A				1
6	11346004	NEEDLE PLATE A				1
7	11346004	NEEDLE PLATE A				1
8	11346004	NEEDLE PLATE A				1
9	11346004	NEEDLE PLATE A				1
10	11346004	NEEDLE PLATE A				1
11	11346004	NEEDLE PLATE A				1
12	11346004	NEEDLE PLATE A				1
13	11346004	NEEDLE PLATE A				1
14	11346301	THROAT PLATE E				1
15	11346004	NEEDLE PLATE A				1
16	11346004	NEEDLE PLATE A				1
17	11346004	NEEDLE PLATE A				1
18	11346004	NEEDLE PLATE A				1
19	B11155310AD	THROAT PLATE COVER ASM.				1
20	B11155310AD	THROAT PLATE COVER ASM.				1
21	B11155310AD	THROAT PLATE COVER ASM.				1
22	B11155310AD	THROAT PLATE COVER ASM.				1
23	B11155310AD	THROAT PLATE COVER ASM.				1
24	B11155310AD	THROAT PLATE COVER ASM.				1
25	B11155310AD	THROAT PLATE COVER ASM.				1
26	B11155300AF	THROAT PLATE OPEN COVER				1
27	B11155300AF	THROAT PLATE OPEN COVER				1
28	B11155300AF	THROAT PLATE OPEN COVER				1
29	B11155300AF	THROAT PLATE OPEN COVER				1
30	B11155300AF	THROAT PLATE OPEN COVER				1
31	B11155300AF	THROAT PLATE OPEN COVER				1
32	B11155300AF	THROAT PLATE OPEN COVER				1
33	B11155300AF	THROAT PLATE OPEN COVER				1
34	B11155300AM	THROAT PLATE PLUG ASM. M				1
35	B11155300AM	THROAT PLATE PLUG ASM. M				1
36	B11155300AM	THROAT PLATE PLUG ASM. M				1
37	B1190522Y0A	GAUGE PLATE 5/64				1
38	B1190522X00	GAUGE PLATE 3/32 (X)				1
39	B1190522X0B	GAUGE 3/32XB				1
40	B1190522S00	GAUGE PLATE 1/8 S				1
41	B1190522Y00	GAUGE PLATE 5/32 (Y)				1
42	11362753	GAUGE ASM. 5/32 E				1
43	B1190522Y0R	GAUGE 5/32YR				1
44	B1190522T00	GAUGE PLATE 3/16 (T)				1
45	B1190522T0A	GUAGE PLATE 3/16 (TA)				1
46	B1190522Y0C	GAUGE 3/16 (NEEDLE HOLE 1.2)				1
47	B1190522T0D	GAUGE 3/16TD				1

TABLE OF EXCHANGING GAUGE PARTS (1)

e サブ ゲージ巾	1		2		3		4		5		Type 仕様	Note 備考
	Throat plate 針板		Throat plate cover (asm) accessory 針板蓋 (組) *付属品		Gauge ゲージ		Throat plate chip guard 針板布屑カパー		Throat plate chip guard accessory 針板布屑ガイド *付属品			
	Ref.no	Part no	Ref.no	Part no	Ref.no	Part no	Ref.no	Part no	Ref.no	Part no		
5/64" (2.0mm)	1	11346004	19	B11155310AD	37	B1190522Y0A	55	11346905	73	11347002	Spare parts type 補用パーツ仕様	Cut-after knife type 後メスタイン
3/32" (2.4mm)	2	11346004	20	B11155310AD	38	B1190522X00	56	11346905	74	11347002	Special type 特別仕様	
3/32" (2.4mm)	3	11346004	21	B11155310AD	39	B1190522X0B	57	11346905	75	11347002	Spare parts type 補用パーツ仕様	As compared with B11905 the grooves of the feed dog are 3 rows instead of 2 row: B1190522X00i に対し 送り溝を 2 列 3 列
1/8" (3.2mm)	4	11346004	22	B11155310AD	40	B1190522S00	58	11346905	76	11347002	Standard type 標準仕様	
5/32" (4.0mm)	5	11346004	23	B11155310AD	41	B1190522Y00	59	11346905	77	11347002	Special type 特別仕様	
5/32" (4.0mm)	6	11346004	24	B11155310AD	42	11362753	60	11346905	78	11347002	Spare parts type 補用パーツ仕様	For pattern seamer パターンシーマ
5/32" (4.0mm)	7	11346004	25	B11155310AD	43	B1190522Y0R	61	11346905	79	11347002	Spare parts type 補用パーツ仕様	As compared with B11905 the grooves of the feed dog are 3 rows instead of 2 row: B1190522X00i に対し 送り溝を 2 列 3 列
3/16" (4.8mm)	8	11346004	26	B11155300AF	44	B1190522T00	62	11346905	80	11347002	Special type 特別仕様	
3/16" (4.8mm)	9	11346004	27	B11155300AF	45	B1190522T0A	63	11346905	81	11347002	Spare parts type 補用パーツ仕様	Cut-before knife type 前メスタイン
3/16" (4.8mm)	10	11346004	28	B11155300AF	46	B1190522Y0C	64	11346905	82	11347002	Spare parts type 補用パーツ仕様	As compared with B1190522T the needle hole of which diam is set to $\phi 1.9$ to 1.2 mm B1190522T000i に対し針穴径を
3/16" (4.8mm)	11	11346004	29	B11155300AF	47	B1190522T0D	65	11346905	83	11347002	Special type 特別仕様	As compared with B11905 the grooves of the feed dog are 3 rows instead of 2 row: B1190522X00i に対し 送り溝を 2 列 3 列
27/128" (5.3mm)	12	11346004	30	B11155300AF	48	B1190522Y0F	66	11347101	84	11347200	Spare parts type 補用パーツ仕様	
1/4" (6.4mm)	13	11346004	31	B11155300AF	49	B1190522U00	67	11347101	85	11347200	Special type 特別仕様	
1/4" (6.4mm)	14	11346301	32	B11155300AF	50	B1190522U0AA	68	11347101	86	11347200	Spare parts type 補用パーツ仕様	For preventing material from being caught by the 4-teeth feed dog 4枚歯布ずまり防1
5/16" (7.9mm)	15	11346004	33	B11155300AF	51	B1190522Y0B	69	11347101	87	11347200	Spare parts type 補用パーツ仕様	
3/8" (9.5mm)	16	11346004	34	B11155300AM	52	B1190522V00	70	11347309	88	11347408	Special type 特別仕様	
3/8" (9.5mm)	17	11346004	35	B11155300AM	53	B1190522V0A	71	11347309	89	11347408	Spare parts type 補用パーツ仕様	As compared with B1190522 the feed amount of the feed dog is reduced. B1190522V00i に対して送り
7/16" (11.1mm)	18	11346004	36	B11155300AM	54	B1190522Y0M	72	11347309	90	11347408	Spare parts type 補用パーツ仕様	

TABLE OF EXCHANGING GAUGE PARTS (1)

No.	Parts No.	Parts name	Remarks	Level	Cons	Qty
48	B1190522Y0F	GAUGE 27/128				1
49	B1190522U00	GAUGE PLATE 1/4 (U)				1
50	B1190522U0AA	GAUGE 1/4UA				1
51	B1190522Y0B	GAUGE				1
52	B1190522V00	GAUGE PLATE 3/8 (V)				1
53	B1190522V0A	FEED VA				1
54	B1190522Y0M	GAUGE				1
55	11346905	WASTE MATERIAL GUARD E				1
56	11346905	WASTE MATERIAL GUARD E				1
57	11346905	WASTE MATERIAL GUARD E				1
58	11346905	WASTE MATERIAL GUARD E				1
59	11346905	WASTE MATERIAL GUARD E				1
60	11346905	WASTE MATERIAL GUARD E				1
61	11346905	WASTE MATERIAL GUARD E				1
62	11346905	WASTE MATERIAL GUARD E				1
63	11346905	WASTE MATERIAL GUARD E				1
64	11346905	WASTE MATERIAL GUARD E				1
65	11346905	WASTE MATERIAL GUARD E				1
66	11347101	WASTE MATERIAL GUARD G				1
67	11347101	WASTE MATERIAL GUARD G				1
68	11347101	WASTE MATERIAL GUARD G				1
69	11347101	WASTE MATERIAL GUARD G				1
70	11347309	WASTE MATERIAL GUARD K				1
71	11347309	WASTE MATERIAL GUARD K				1
72	11347309	WASTE MATERIAL GUARD K				1
73	11347002	WASTE MATERIAL GUARD E				1
74	11347002	WASTE MATERIAL GUARD E				1
75	11347002	WASTE MATERIAL GUARD E				1
76	11347002	WASTE MATERIAL GUARD E				1
77	11347002	WASTE MATERIAL GUARD E				1
78	11347002	WASTE MATERIAL GUARD E				1
79	11347002	WASTE MATERIAL GUARD E				1
80	11347002	WASTE MATERIAL GUARD E				1
81	11347002	WASTE MATERIAL GUARD E				1
82	11347002	WASTE MATERIAL GUARD E				1
83	11347002	WASTE MATERIAL GUARD E				1
84	11347200	WASTE MATERIAL GUARD G				1
85	11347200	WASTE MATERIAL GUARD G				1
86	11347200	WASTE MATERIAL GUARD G				1
87	11347200	WASTE MATERIAL GUARD G				1
88	11347408	WASTE MATERIAL GUARD K				1
89	11347408	WASTE MATERIAL GUARD K				1
90	11347408	WASTE MATERIAL GUARD K				1

TABLE OF EXCHANGING GAUGE PARTS (2)





Specifications of the sub-gauge	Gauge width	1		2		3		4		Type	Note
		Chip guard 布屑ガイド		Hinging presser (asm) 自由押え(組)		Feed dog 送り歯		Knife メス			
											
Ref.no	Part no	Ref.no	Part no	Ref.no	Part no	Ref.no	Part no	仕様	備考		
CA	5/64" (2.0mm)	1	11346400	19	B1524530CB0	37	B1613522N00A	55	B4145530C00	Spare parts type 補用パーツ仕様	Cut-after knife type 後メスタイプ
C	3/32" (2.4mm)	2	11346400	20	B1524530CB0	38	B1613522N00A	56	B4121522000	Special type 特別仕様	
CB	3/32" (2.4mm)	3	11346400	21	B1524530CB0	39	B1613522N00C	57	B4121522000	Spare parts type 補用パーツ仕様	As compared with B1190522X00, the grooves of the feed dog are 3 rows instead of 2 rows. B1190522X00に対し、送り溝を2列 3列にしたもの
D	1/8" (3.2mm)	4	11346400	22	B1524530DB0	40	B1613522N00A	58	B4121522000	Standard type 標準仕様	
E	5/32" (4.0mm)	5	11346400	23	B1524530EB0	41	B1613522N00A	59	B4121522000	Special type 特別仕様	
EA	5/32" (4.0mm)	6	11346400	24	B1524530EB0	42	B1613522N00A	60	B4121522000	Spare parts type 補用パーツ仕様	For pattern seamer パターンシーマ用
EB	5/32" (4.0mm)	7	11346400	25	B1524530EB0	43	B1613522N00D	61	B4121522000	Spare parts type 補用パーツ仕様	As compared with B1190522X00, the grooves of the feed dog are 3 rows instead of 2 rows. B1190522X00に対し、送り溝を2列 3列にしたもの
F	3/16" (4.8mm)	8	11346400	26	B1524530EB0	44	B1613522N00A	62	B4121522000	Special type 特別仕様	
FA	3/16" (4.8mm)	9	11346400	27	B1524530EB0	45	B1613522N00A	63	B4121522A00	Spare parts type 補用パーツ仕様	Cut-before knife type 前メスタイプ
FB	3/16" (4.8mm)	10	11346400	28	B1524530EB0	46	B1613522N00A	64	B4121522000	Spare parts type 補用パーツ仕様	As compared with B1190522T00, the needle hole of which diameter is set to φ1.9 to 1.2mm. B1190522T00に対し針穴径をφ1.9→1.2mmに
FC	3/16" (4.8mm)	11	11346400	29	B1524530EB0	47	B1613522N00D	65	B4121522000	Special type 特別仕様	As compared with B1190522X00, the grooves of the feed dog are 3 rows instead of 2 rows. B1190522X00に対し、送り溝を2列 3列にしたもの
G	27/128" (5.3mm)	12	11346400	30	B1524530GB0	48	B1613522N00A	66	B4121522000	Spare parts type 補用パーツ仕様	
H	1/4" (6.4mm)	13	11346509	31	B1524530GB0	49	B1613522W00A	67	B4121522000	Special type 特別仕様	
HA	1/4" (6.4mm)	14	11346509	32	B1524530GB0	50	B1613522A00A	68	B4121522000	Spare parts type 補用パーツ仕様	For preventing material from being caught by the 4-teeth food dog 4枚歯布すまり防止用
K	5/16" (7.9mm)	15	11346509	33	B1524530GB0	51	B1613522W00A	69	B4121522000	Spare parts type 補用パーツ仕様	
M	3/8" (9.5mm)	16	11346509	34	B1524530GB0	52	B1613522W00A	70	B4121522000	Special type 特別仕様	
MA	3/8" (9.5mm)	17	11346509	35	B1524530GB0	53	B1613522B00	71	B4121522000	Spare parts type 補用パーツ仕様	As compared with B1190522V00, the feed amount of the feed dog is reduced. B1190522V00に対し送り溝長さを短縮
P	7/16" (11.1mm)	18	11346608	36	B1524530GB0	54	B1613522W00A	72	B4121522000	Spare parts type 補用パーツ仕様	

TABLE OF EXCHANGING GAUGE PARTS (2)

No.	Parts No.	Parts name	Remarks	Level	Cons	Qty
1	11346400	WASTE MATERIAL GUIDE				1
2	11346400	WASTE MATERIAL GUIDE				1
3	11346400	WASTE MATERIAL GUIDE				1
4	11346400	WASTE MATERIAL GUIDE				1
5	11346400	WASTE MATERIAL GUIDE				1
6	11346400	WASTE MATERIAL GUIDE				1
7	11346400	WASTE MATERIAL GUIDE				1
8	11346400	WASTE MATERIAL GUIDE				1
9	11346400	WASTE MATERIAL GUIDE				1
10	11346400	WASTE MATERIAL GUIDE				1
11	11346400	WASTE MATERIAL GUIDE				1
12	11346400	WASTE MATERIAL GUIDE				1
13	11346509	WASTE MATERIAL GUIDE C				1
14	11346509	WASTE MATERIAL GUIDE C				1
15	11346509	WASTE MATERIAL GUIDE C				1
16	11346509	WASTE MATERIAL GUIDE C				1
17	11346509	WASTE MATERIAL GUIDE C				1
18	11346608	WASTE MATERIAL GUIDE D				1
19	B1524530CB0	PRESSER FOOT ASM.				1
20	B1524530CB0	PRESSER FOOT ASM.				1
21	B1524530CB0	PRESSER FOOT ASM.				1
22	B1524530DB0	PRESSER FOOT ASM.				1
23	B1524530EB0	PRESSER FOOT ASM. E				1
24	B1524530EB0	PRESSER FOOT ASM. E				1
25	B1524530EB0	PRESSER FOOT ASM. E				1
26	B1524530EB0	PRESSER FOOT ASM. E				1
27	B1524530EB0	PRESSER FOOT ASM. E				1
28	B1524530EB0	PRESSER FOOT ASM. E				1
29	B1524530EB0	PRESSER FOOT ASM. E				1
30	B1524530GB0	PRESSER FOOT ASM G WITH GUARD				1
31	B1524530GB0	PRESSER FOOT ASM G WITH GUARD				1
32	B1524530GB0	PRESSER FOOT ASM G WITH GUARD				1
33	B1524530GB0	PRESSER FOOT ASM G WITH GUARD				1
34	B1524530GB0	PRESSER FOOT ASM G WITH GUARD				1
35	B1524530GB0	PRESSER FOOT ASM G WITH GUARD				1
36	B1524530GB0	PRESSER FOOT ASM G WITH GUARD				1
37	B1613522N00A	FEED DOG				1
38	B1613522N00A	FEED DOG				1
39	B1613522N0C	FEED DOG (NC)				1
40	B1613522N00A	FEED DOG				1
41	B1613522N00A	FEED DOG				1
42	B1613522N00A	FEED DOG				1
43	B1613522N0D	FEED DOG ND				1
44	B1613522N00A	FEED DOG				1
45	B1613522N00A	FEED DOG				1
46	B1613522N00A	FEED DOG				1
47	B1613522N0D	FEED DOG ND				1

TABLE OF EXCHANGING GAUGE PARTS (2)





Specifications of the sub-gauge	Gauge width	1		2		3		4		Type	Note
		Chip guard 布屑ガイド		Hinging presser (asm) 自由押え(組)		Feed dog 送り歯		Knife メス			
											
Ref.no	Part no	Ref.no	Part no	Ref.no	Part no	Ref.no	Part no	仕 様	備 考		
CA	5/64" (2.0mm)	1	11346400	19	B1524530CB0	37	B1613522N00A			55	B4145530C00
C	3/32" (2.4mm)	2	11346400	20	B1524530CB0	38	B1613522N00A	56	B4121522000	Special type 特別仕様	
CB	3/32" (2.4mm)	3	11346400	21	B1524530CB0	39	B1613522N00C	57	B4121522000	Spare parts type 補用パーツ仕様	As compared with B1190522X00, the grooves of the feed dog are 3 rows instead of 2 rows. B1190522X00に対し、送り溝を2列 3列にしたもの
D	1/8" (3.2mm)	4	11346400	22	B1524530DB0	40	B1613522N00A	58	B4121522000	Standard type 標準仕様	
E	5/32" (4.0mm)	5	11346400	23	B1524530EB0	41	B1613522N00A	59	B4121522000	Special type 特別仕様	
EA	5/32" (4.0mm)	6	11346400	24	B1524530EB0	42	B1613522N00A	60	B4121522000	Spare parts type 補用パーツ仕様	For pattern seamer パターンシーマ用
EB	5/32" (4.0mm)	7	11346400	25	B1524530EB0	43	B1613522N00D	61	B4121522000	Spare parts type 補用パーツ仕様	As compared with B1190522X00, the grooves of the feed dog are 3 rows instead of 2 rows. B1190522X00に対し、送り溝を2列 3列にしたもの
F	3/16" (4.8mm)	8	11346400	26	B1524530EB0	44	B1613522N00A	62	B4121522000	Special type 特別仕様	
FA	3/16" (4.8mm)	9	11346400	27	B1524530EB0	45	B1613522N00A	63	B4121522A00	Spare parts type 補用パーツ仕様	Cut-before knife type 前メスタイプ
FB	3/16" (4.8mm)	10	11346400	28	B1524530EB0	46	B1613522N00A	64	B4121522000	Spare parts type 補用パーツ仕様	As compared with B1190522T00, the needle hole of which diameter is set to φ1.9 to 1.2mm. B1190522T00に対し針穴径をφ1.9→1.2mmに
FC	3/16" (4.8mm)	11	11346400	29	B1524530EB0	47	B1613522N00D	65	B4121522000	Special type 特別仕様	As compared with B1190522X00, the grooves of the feed dog are 3 rows instead of 2 rows. B1190522X00に対し、送り溝を2列 3列にしたもの
G	27/128" (5.3mm)	12	11346400	30	B1524530GB0	48	B1613522N00A	66	B4121522000	Spare parts type 補用パーツ仕様	
H	1/4" (6.4mm)	13	11346509	31	B1524530GB0	49	B1613522W00A	67	B4121522000	Special type 特別仕様	
HA	1/4" (6.4mm)	14	11346509	32	B1524530GB0	50	B1613522A00A	68	B4121522000	Spare parts type 補用パーツ仕様	For preventing material from being caught by the 4-teeth food dog 4枚歯布ずまり防止用
K	5/16" (7.9mm)	15	11346509	33	B1524530GB0	51	B1613522W00A	69	B4121522000	Spare parts type 補用パーツ仕様	
M	3/8" (9.5mm)	16	11346509	34	B1524530GB0	52	B1613522W00A	70	B4121522000	Special type 特別仕様	
MA	3/8" (9.5mm)	17	11346509	35	B1524530GB0	53	B1613522B00	71	B4121522000	Spare parts type 補用パーツ仕様	As compared with B1190522V00, the feed amount of the feed dog is reduced. B1190522V00に対し送り溝長さを短縮
P	7/16" (11.1mm)	18	11346608	36	B1524530GB0	54	B1613522W00A	72	B4121522000	Spare parts type 補用パーツ仕様	

TABLE OF EXCHANGING GAUGE PARTS (2)

No.	Parts No.	Parts name	Remarks	Level	Cons	Qty
48	B1613522N00A	FEED DOG				1
49	B1613522W00A	FEED DOG				1
50	B1613522A0AA	FEED A				1
51	B1613522W00A	FEED DOG				1
52	B1613522W00A	FEED DOG				1
53	B1613522B00	FEED DOG B				1
54	B1613522W00A	FEED DOG				1
55	B4145530C00	KNIFE (C)				1
56	B4121522000	KNIFE				1
57	B4121522000	KNIFE				1
58	B4121522000	KNIFE				1
59	B4121522000	KNIFE				1
60	B4121522000	KNIFE				1
61	B4121522000	KNIFE				1
62	B4121522000	KNIFE				1
63	B4121522A00	KNIFE A				1
64	B4121522000	KNIFE				1
65	B4121522000	KNIFE				1
66	B4121522000	KNIFE				1
67	B4121522000	KNIFE				1
68	B4121522000	KNIFE				1
69	B4121522000	KNIFE				1
70	B4121522000	KNIFE				1
71	B4121522000	KNIFE				1
72	B4121522000	KNIFE				1

LIST FOR INFORMATION OF CHANGE (1)

As to the place changed, refer to the corresponding Rev.No.
 When previous parts(Obsoleted part)and new parts(Added parts)are
 not interchangeable with each other:
 In this case,even obsoleted parts(D.)can be ordered with the
 obsoleted part number,so select the parts with changed dates and
 place your orders.

変更箇所は、該当Rev.No.版をご参照ください。
 部品の互換性がない変更の場合は、削除された品番でも、ご注文できます。

29133501
 No.0892-08 Rev.No.

*A:Added parts追加部品/D:Obsoleted parts削除部品/E:Erratum訂正

* Rev. No.	Page 頁	Ref. No.	Parts No. 品番	* Rev. No.	Page 頁	Ref. No.	Parts No. 品番
E 07	2	36	110-72204	A 08	2	36	229-21308
E 07	2	37	B3120-125-000	A 08	2	37	229-21407
E 07	2	38	B3129-012-A00	A 08	2	38	229-21704
E 07	2	39	B3132-552-000	A 08	2	39	229-21803
E 07	2	40	B3126-012-000	A 08	2	40	229-21506
E 07	2	41	B3115-552-000	A 08	2	41	229-21209
E 07	2	42	B3128-012-000	A 08	2	42	229-21605
E 07	2	43	B3111-126-000	A 08	2	43	229-45307
D 07	2	69	M6001-350-AAA				
D 07	2	70	SS-4121215-SP				
D 07	2	71	WP-0501016-SD				
D 07	2	73	M6001-350-AAF				
				A 08	2	73	401-16677
D 07	4	4	110-39070	A 08	4	4	229-18072
D 07	4	5	110-39062	A 08	4	5	229-18064
D 07	4	6	B1905-541-B00	A 08	4	6	229-18403
				A 08	4	7	229-18502
				A 08	4	8	229-18601
				A 08	4	9	229-18700
D 07	4	7	110-05204	A 08	4	10	229-18106
D 07	4	8	B1408-552-000	A 08	4	11	229-06606
D 07	4	9	B1903-552-000	A 08	4	12	229-18304
D 07	4	11	113-49370	A 08	4	14	400-97023
D 07	4	12	113-49214	A 08	4	17	400-95786
				A 08	4	15	PS-0400082-KP
				A 08	4	16	400-95785
D 07	4	31	110-02508	A 08	4	31	401-05231
D 07	8	7	110-06350	A 08	8	7	229-08156
D 07	8	9	110-06905	A 08	8	9	229-08305
D 07	10	25	110-10410	A 08	10	25	229-12505
D 07	10	31	110-08703	A 08	10	31	400-89548
D 07	10	32	110-08604	A 08	10	32	400-93417
				A 08	12	1	401-20641
D 07	12	1	113-51806				
D 07	12	2	113-51400				
D 07	12	8	113-51905				

HOW TO MAKE USE OF THIS PARTS LIST

1.Explanation of codes

1)"*"mark.....means this part is changed from the previous parts book.

As to the details of the change, refer to the "List for information of change".

2)"#01".....refer to "Note" explanation at bottom of page.

2.Codes on the "Qty" column

- Each numeral indicates the number of parts required.
- "0.1" and "2.5" indicate the length (in meters) of the respective parts.

3.Parentheses mean that the corresponding part is a subpart that constructs an assembly part.

4.Dotted lines on the Figures indicate assembly parts.

1."注記"欄の記号説明

1) "*"印.....前回のパーツブックに比較して今回変更された部品を意味します。

変更内容は、"変更情報リスト"を参照してください。

2) "#01".....ページ下の"注記"の説明を参照してください。

2.数量欄の数字は、個数を表し、0.1、2.5等の数値は、長さ（単位メートル）を表します。

3.数量欄の（ ）は、組部品を構成している子部品であることを意味します。

4.イラストページの-----枠は、組構成であることを意味します。

NUMERICAL INDEX OF PARTS

PART NO	PAGE	REF NO.	PART NO	PAGE	REF NO.	PART NO	PAGE	REF NO.
11002409	6	30	11301702	12	5	11354057	20	45
11002904	6	40	11305901	12	37	11354107	20	40
11003308	2	12	11306107	12	34	11354404	20	21
11004207	10	25	11325750	2	1	11354602	20	10
11009503	16	1	11345600	4	62	11355054	22	52
11009701	16	5	11345709	4	60	11355351	12	35
11009800	16	6	11345808	4	75	11355609	12	41
11010311	16	18	11346004	4	78	11355906	32	12
11015906	10	34	11346004	40	18	11355955	32	11
11017357	6	2	11346301	40	14	11356052	32	13
11023108	34	3	11346400	4	74	11356201	32	7
11030202	2	21	11346400	44	12	11356904	24	4
11037405	16	19	11346509	44	17	11356953	24	1
11038650	10	45-46	11346608	44	18	11357001	24	8
11038759	10	37	11346905	4	77	11357100	24	13
11038809	10	31	11346905	42	65	11357209	24	6
11043205	22	57	11347002	42	83	11357308	24	3
11043304	22	62	11347101	42	69	11357407	24	14
11043908	22	58	11347200	42	87	11357506	24	5
11047107	34	4	11347309	42	72	11357704	24	10
11071453	6	36	11347408	42	90	11357803	24	25
11071495	6	32	11349008	6	13	11357902	24	29
11100104	2	22	11349107	6	45	11357951	24	27
11100500	2	19	11349453	6	46	11358108	24	22
11101300	28	18	11349701	10	3	11358207	24	19
11102605	2	10	11349800	10	23	11358306	24	31
11102753	28	28	11349909	10	43	11359700	30	17
11141355	10	45-46	11351004	10	40	11359809	30	26
11205309	12	14	11351608	20	11	11359957	30	23
11205408	12	13	11352101	20	3	11360153	30	22
11217601	28	16	11352200	20	6	11360708	34	2
11233053	30	15	11352309	20	17	11360757	34	1
11233251	30	19	11352408	20	15	11361003	34	35
11233301	30	7	11352507	20	24	11362357	28	1
11233400	30	4	11352606	20	20	11362456	30	1
11234408	30	6	11352705	20	41	11362753	40	42
11234507	30	13	11352804	20	43	11364700	28	13
11234606	30	8	11352903	20	39	11415205	4	68
11258001	30	3	11353059	20	32	12341806	34	33
11300407	4	58	11353307	22	53	13522206	30	21
11300506	2	2	11353406	20	26	22900401	2	11
11301355	12	31	11353505	20	31	22900609	2	30
11301405	12	32	11353604	20	30	22900757	2	4
11301603	12	11	11353653	20	28	22901003	4	57
11301652	12	6	11354008	20	46	22901201	4	54

NUMERICAL INDEX OF PARTS

PART NO	PAGE	REF NO.	PART NO	PAGE	REF NO.	PART NO	PAGE	REF NO.
22901250	4	53	22915003	16	16	22925002	32	9
22901300	4	55	22915151	16	47	22927305	36	27
22901409	10	1	22915201	18	50	22927354	36	13
22901805	2	15	22915359	18	59	22927404	36	28
22903306	8	49	22916001	10	30	22927602	36	29
22904155	6	22	22916308	10	26	22928105	36	22
22904155	18	62	22916506	10	35	22928303	36	21
22905004	10	22	22916555	10	33	22928402	36	20
22905103	10	24	22917058	10	38	22928501	36	14
22906101	10	2	22917157	10	28	22928709	36	26
22906200	10	7	22918064	6	5	22928808	36	18
22906457	10	5	22918072	6	4	22928907	36	16
22906606	6	11	22918106	6	10	22929004	36	17
22907406	12	25	22918304	6	12	22930309	38	14
22907505	12	24	22918403	6	6~9	22930358	38	1
22907554	12	22	22918502	6	6~9	22930408	38	10
22907604	12	23	22918601	6	6~9	22930507	38	9
22907703	14	49	22918700	6	6~9	22930556	38	15
22907802	12	1	22919203	6	3	22930705	38	7
22908156	12	7	22920508	2	32	22930804	38	5
22908305	12	9	22920607	4	49	22930903	38	4
22908552	12	4	22921001	2	33	22931000	38	3
22908909	12	20	22921209	2	41	22931109	38	2
22910004	6	27	22921308	2	36	22931307	38	11
22910053	6	25	22921407	2	37	22931406	38	8
22910103	6	28	22921506	2	40	22931703	34	34
22910202	16	8	22921605	2	42	22932107	34	8
22910251	16	7	22921704	2	38	22932156	34	7
22910350	16	44	22921803	2	39	22932206	34	11
22910459	16	30	22923015	32	19	22932305	34	17
22910806	16	34	22923056	32	16	22932404	34	14
22910905	16	29	22923205	32	25	22932453	34	13
22911002	16	42	22923312	32	17	22932909	10	36
22911101	16	9	22923403	32	23	22933402	36	2
22911507	16	3	22923502	32	21	22933451	36	1
22911804	16	14	22923601	32	22	22933501	36	3
22912000	16	11	22923700	32	27	22933600	36	5
22912257	16	27	22923809	32	24	22933659	36	4
22912505	16	25	22923908	32	18	22933758	36	6
22912604	18	64	22924005	32	33	22933907	36	7
22912752	18	65	22924401	32	15	22934004	36	8
22912802	18	61	22924500	32	3	22934202	34	22
22912901	16	41	22924609	32	28	22934251	34	19
22913008	16	40	22924807	20	2	22934301	34	23
22913701	16	20	22924906	32	10	22934400	34	21

NUMERICAL INDEX OF PARTS

PART NO	PAGE	REF NO.	PART NO	PAGE	REF NO.	PART NO	PAGE	REF NO.
22934509	34	25	40089548	16	31	B13081550A0	10	20
22934608	34	20	40090058	10	4	B1418530000	10	9
22934707	34	15	40093417	16	32	B14537710A0	20	23
22937965	6	39	40095785	6	16	B1501530000	12	42
22940506	16	12	40095786	6	17	B1521555000	12	2
22940654	18	56	40097023	6	14	B1524530CB0	44	21
22940753	16	37	40101287	34	26	B1524530DB0	12	30
22940803	16	38	40101720	34	16	B1524530DB0	44	22
22940951	16	33	40105231	6	31	B1524530EB0	44	29
22941108	16	2	40112705	30	10	B1524530GB0	44	36
22941306	16	24	40116677	4	73	B1613522A0AA	46	50
22942601	10	42	40120641	20	1	B1613522B00	46	53
22944508	12	15	B1115522000A	4	71	B1613522N00A	16	22
22944607	12	43	B11155300AF	40	33	B1613522N00A	44	48
22944706	12	38	B11155300AM	40	36	B1613522N00A	46	48
22945109	12	46	B111553100D	4	70	B1613522N0C	44	39
22945307	2	43	B11155310AD	40	25	B1613522N0D	44	47
22945356	2	35	B1148555000	16	15	B1613522W00A	46	54
22945406	2	28	B1190522S00	2	47	B3118415000	4	64
22945463	2	23	B1190522S00	40	40	B31334150A0	4	63
22945505	2	25	B1190522T00	40	44	B3136415000	4	65
22945604	2	27	B1190522T0A	40	45	B3538112000	32	5
22945703	2	24	B1190522T0D	40	47	B4101531000	26	53
22945802	2	26	B1190522U00	42	49	B4107522000	26	55
22947006	32	1	B1190522U0AA	42	50	B4114530000	26	52
22947105	32	29	B1190522V00	42	52	B4115530000	26	50
22950000	20	38	B1190522V0A	42	53	B4116530000	26	51
22950356	20	47	B1190522X00	40	38	B41175300A0	24	35
22950950	22	50	B1190522X0B	40	39	B4120530000	24	46
22951008	22	55	B1190522Y00	40	41	B4121522000	24	43
22951404	22	59	B1190522Y0A	40	37	B4121522000	46	72
22951552	20	8	B1190522Y0B	42	51	B4121522A00	46	63
22953509	28	27	B1190522Y0C	40	46	B4122522000	24	44
22953657	28	20	B1190522Y0F	42	48	B412352200A	24	16
22953905	28	22	B1190522Y0M	42	54	B4124530000	24	30
22954101	28	4	B1190522Y0R	40	43	B4126530000	24	23
22954200	28	5	B1193530000	4	76	B4132522000A	26	54
22954309	28	6	B1213552000A	6	42	B4145530C00	46	55
22954408	28	12	B1215552000	8	48	B8228125000	34	36
22954606	28	2	B13050120A0	10	13	BT0500300EA	32	14
22958300	2	8	B13061550A0	10	15	CM300200001	2	14
22972608	2	46	B13061550B0	10	12	CM301300001	2	13
40053719	34	32	B13061550C0	10	11	CQ252000000	32	8
40056521	34	31	B13071550A0	10	18	CS064061ASP	12	17
40060989	12	27	B13071550B0	10	17	D2468555B00	28	25

NUMERICAL INDEX OF PARTS

PART NO	PAGE	REF NO.	PART NO	PAGE	REF NO.	PART NO	PAGE	REF NO.
D2588L8WB00	20	22	RE0900000K0	30	9	SS4080310SP	4	72
HA001900000	28	11	RE1000000K0	34	12	SS4080515SP	24	45
HA006000000A	30	12	RE1200000K0	28	23	SS4080620TP	16	23
HK034610140	22	66	RO029180100	6	43	SS4090615SP	6	29
HK03464000B	20	37	RO037180100	12	3	SS4110515SP	12	45
HK03464000B	28	15	RO044240100	6	18	SS4110515SP	16	21
HW500070000	28	9	RO048190100	24	26	SS4110515SP	36	15
HX000430000	6	44	RO078190100	18	53	SS4110715SP	20	12
M40071100AA	6	37	RO092270200	16	17	SS4110715SP	34	30
M40071100AB	6	38	RO098240100	34	6	SS4110915TP	10	32
MC200500900	10	27	RO195240100	32	2	SS4120615SP	2	67
MDB100B1400	10	10	SD0490261SP	36	23	SS4120615SP	4	67
NM6040000SN	22	61	SD0500251SP	20	4	SS4120615SP	12	47
NM6050001SE	38	17	SD0550212TP	30	24	SS4120615SP	28	14
NM6060001SE	34	18	SD0600322SD	14	48	SS4120615SP	32	6
NM6160511SE	38	18	SD0600361SP	20	34	SS4120915SP	2	9
NS6090310SP	2	16	SD0630275SP	20	44	SS4120915SP	10	44
NS6090310SP	34	29	SD0640261SP	12	40	SS4120915SP	24	34
NS6110310SP	20	19	SD0640261SP	20	42	SS4120915SP	28	30
NS6120310SP	24	37	SD0640604TP	24	7	SS4120915SP	30	16
NS6120480SP	24	42	SD0641452TP	22	49	SS4121015SP	4	52
NS6150310SP	20	25	SD0701511TP	20	33	SS4121415SP	30	11
NS6150310SP	24	32	SD0720331SP	12	21	SS4121415SP	36	9
NS6150430SP	20	35	SD0790431SP	24	24	SS4150915SP	12	39
NS6160520SP	24	15	SD0920321SP	24	21	SS4150915SP	20	16
NS6620310SP	12	19	SD1000801SH	18	49	SS4150915SP	24	18
NS6660410SH	22	63	SE4301041SR	32	26	SS4150915SP	28	31
NS6660430SP	22	64	SK3412000SC	34	27	SS4150915SP	32	4
NS6680410SP	16	46	SK3412000SC	36	31	SS4151215SP	22	65
PS0400082KP	6	15	SL4030631SC	30	2	SS4151215SP	28	29
RC0150001KP	16	55	SL4030641SE	30	18	SS6060210SP	4	56
RC0150001KP	18	55	SL4030851SF	32	20	SS6080410SP	2	79
RC1850001KP	6	24	SL4051001MZ	6	41	SS6080410SP	4	79
RC2651218KP	20	7	SM4031501SC	28	8	SS6090510TP	22	48
RE0300000K0	12	36	SM4040655SP	28	3	SS6090620TP	16	43
RE0300000K0	30	14	SM4041655SP	28	7	SS6090670TP	10	6
RE0400000K0	28	26	SM4051405SE	38	12	SS6090810TP	26	49
RE0400000KP	28	21	SM6061610SC	38	6	SS6090910SP	12	29
RE0500000K0	12	10	SM8061010TP	18	66	SS6090910SP	24	40
RE0500000K0	16	28	SM8061050TP	18	67	SS6110420TP	10	29
RE0500000K0	22	54	SM8063012TR	34	10	SS6110610TP	4	61
RE0500000K0	24	20	SM9061203SE	34	24	SS6110710TP	22	56
RE0500000KP	28	17	SS1090510SP	20	14	SS6110710TP	30	20
RE0600000K0	20	18	SS1120710SP	4	59	SS6110810TP	24	38
RE0900000K0	28	19	SS2110915SP	4	69	SS6111010TP	32	31

NUMERICAL INDEX OF PARTS

PART NO	PAGE	REF NO.	PART NO	PAGE	REF NO.
SS6111210SP	6	33	TA0850604R0	2	34
SS6121220TP	20	5	TA1250406R0	4	51
SS6121220TP	24	28	TA1250504R0	2	5
SS6121610SP	16	45	TA1250705R0	2	7
SS6121840SP	2	18	TA2000502R0	2	17
SS6121860SP	16	13	TA2101002R0	2	20
SS6660610TP	20	29	WP0371026SD	24	39
SS6661110SP	6	26	WP0450000SD	22	60
SS6700710SH	34	5	WP0450801SD	6	34
SS7080510TP	10	8	WP0450826SC	36	30
SS7081310SP	36	24	WP0480856SP	18	57
SS7090410SP	30	25	WP0480856SP	24	47
SS7090520TP	16	4	WP0501016SD	24	41
SS7090520TP	24	9	WP0501016SD	36	10
SS7090620TP	12	18	WP0621016SH	20	36
SS7090710SP	12	28	WP0650876SD	12	12
SS7091110TP	34	28	WP1221016SP	30	5
SS7110350SP	36	19	WP1602616SZ	28	24
SS7110740TP	18	54	WP1612616SE	38	19
SS7110830SP	24	12	WS0451040KP	32	32
SS7111120SP	18	60	WS0510002KN	38	16
SS7120770SH	18	68	WS0651310KP	32	30
SS7121410TP	18	58	WS1643202KR	38	20
SS7121610SP	18	48	WT0530002KS	4	66
SS7150940SP	6	47			
SS7681650TP	6	19			
SS8090670SP	2	44			
SS8110410TP	10	39			
SS8110510SP	36	25			
SS8110520TP	22	51			
SS8110710SP	20	9			
SS8150710TP	2	45			
SS8150710TP	16	36			
SS8151150TP	6	1			
SS8151150TP	24	17			
SS8151550SP	6	35			
SS8152080SP	24	33			
SS8660610TP	6	23			
SS8660610TP	12	26			
SS8660610TP	18	63			
SS8660610TP	20	27			
SS8660810TP	10	21			
SS8681650TP	6	21			
SS9121010TP	26	48			
SS9121410TP	24	36			