

MODEL : DDL-5600NL-7/DDL-5600NU-7/DDL-5600NJ-7/DDL-5600NR-7
List No : 0880-08

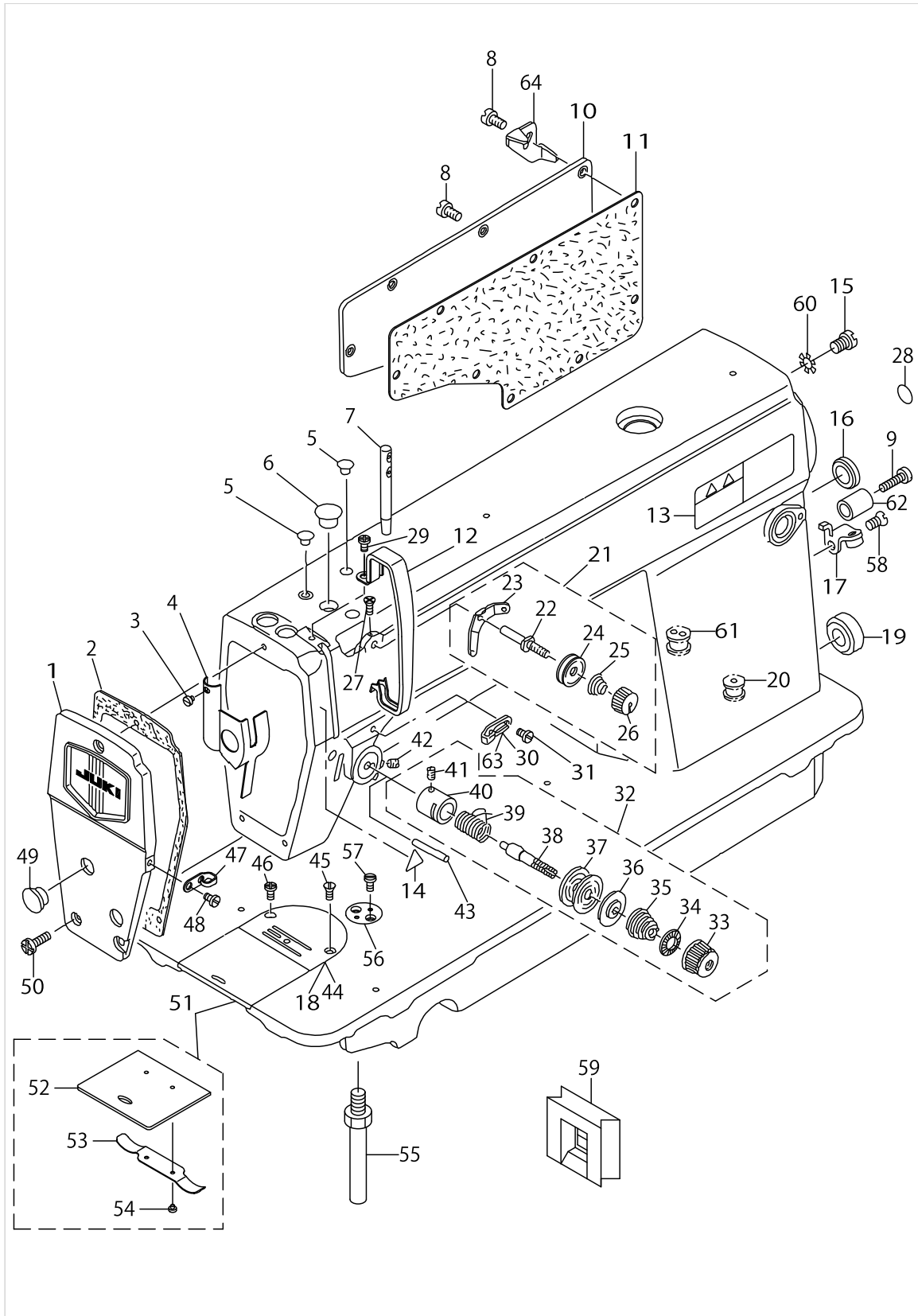
PARTS LIST

Published:09/10/2017

CONTENTS

MACHINE FRAME & MISCELLANEOUS COVER COMPONENTS	1
MAIN SHAFT & THREAD TAKE-UP LEVER COMPONENTS	5
NEEDLE BAR, UPRIGHT SHAFT & HOOK DRIVING SHAFT COMPONENTS	7
HAND LIFTER COMPONENTS	9
FEED MECHANISM COMPONENTS.....	13
THREAD TRIMMER MECHANISM COMPONENTS.....	17
AUTOMATIC REVERSE FEED COMPONENTS.....	21
OIL LUBRICATION COMPONENTS	23
OIL RESERVOIR COMPONENTS	25
BELT COVER & BOBBIN WINDER COMPONENTS	27
THREAD STAND COMPONENTS.....	29
EXCLUSIVE PARTS FOR DDL-5600NJ-7	31
WIPER COMPONENTS (FOR DDL-5600NJ-7-FB).....	33
EXCLUSIVE PARTS FOR DDL-5600NR-7.....	35
LIST FOR INFORMATION OF CHANGE (1).....	37
LIST FOR INFORMATION OF CHANGE (2).....	38
HOW TO MAKE USE OF THIS PARTS LIST	39

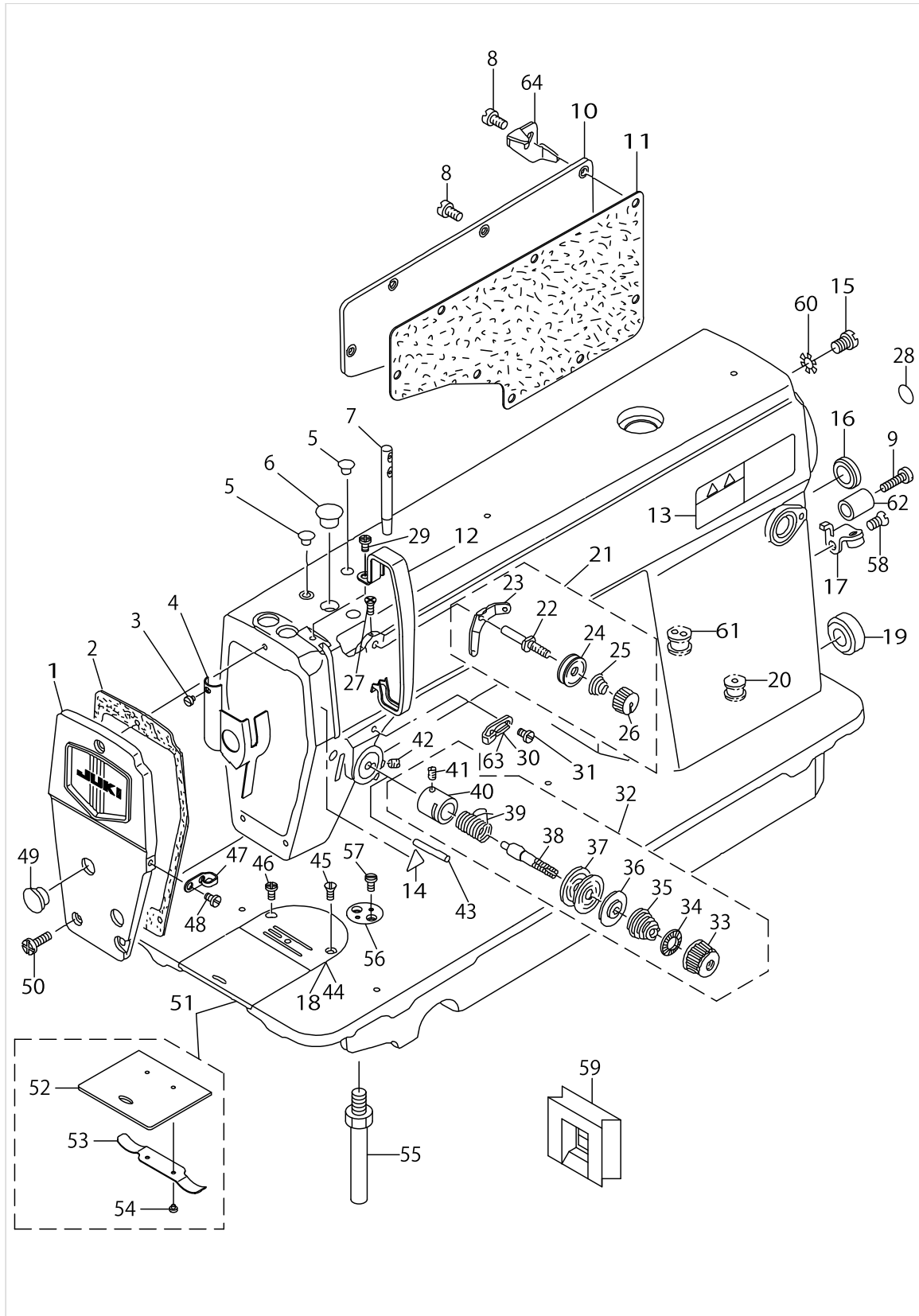
MACHINE FRAME & MISCELLANEOUS COVER COMPONENTS



MACHINE FRAME & MISCELLANEOUS COVER COMPONENTS

No.	Parts No.	Parts name	Remarks	Level	Cons	Qty
1	11070851	FACE PLATE ASM.				1
2	11000304	FACE PLATE GASKET				1
3	SS6080320SP	SCREW 1/8-44 L=2.5				1
4	40021790	FACE PLATE OIL SHIELD ASM.				1
5	TA0850604R0	RUBBER PLUG				2
6	TA1250705R0	RUBBER PLUG				1
7	22958300	NEEDLE THREAD GUIDE PIN				1
8	SS4120915SP	SCREW 3/16-28 L=9				8
9	SS6121840SP	SCREW 3/16-28 L=18	FOR DDL-5600NU-7-0B			1
10	22900401	WINDOW PLATE				1
11	11003308	SIDE PLATE GASKET				1
12	11415205	THREAD TAKE-UP LEVER COVER(JE)				1
13	CM301300001	SAFETY LABEL				1
14	CM300200001	ATTENTION SEAL				1
15	SS4120615SP	SCREW 3/16-28 L=6				1
16	TA2000502R0	RUBBER PLUG				1
17	11095254	LEVER STOPPER ASM.	FOR DDL-5600NL-7-0B, DDL-5600NU-7-0B			1
18	D1109560E0B	THROAT PLATE	FOR DDL-5600NU-7-0B			1
19	TA2101002R0	RUBBER PLUG				1
20	11030202	RUBBER BUSHING				1
21	22963458	THREAD TENSION ASM.				1
22	22945414	THREAD TENSION POST		*		1
23	22945604	THREAD TENSION GUIDE		*		1
24	22945802	THREAD TENSION DISK		*		2
25	22963409	THREAD TENSION SPRING		*		1
26	22945703	THREAD TENSION NUT		*		1
27	SS4120615SP	SCREW 3/16-28 L=6				1
28	22901805	GROUND MARK				1
29	SS4120615SP	SCREW 3/16-28 L=6				1
30	11091006	ARM THREAD GUIDE (HA)				1
31	22921001	SCREW				1
32	22962054	THREAD TENSION ASM.				1
33	22921308	THREAD TENSION NUT		*		1
34	22921407	ROTATION STOPPER		*		1
35	22962005	THREAD TENSION SPRING		*		1
36	22921803	DISK STOPPER		*		1
37	22921506	THREAD TENSION DISK		*		2
38	22921209	THREAD TENSION POST		*		1
39	22921605	THREAD TAKE-UP SPRING		*		1
40	22945307	THREAD TENSION POST BASE		*		1
41	SS8090670SP	SCREW 9/64-40 L=5.5		*		1
42	SS8150710SP	SCREW 15/64-28 L=7				1
43	22920904	PIN				1
44	D1109555E0L	THROAT PLATE				1
45	SS2110920TP	SCREW 11/64-40 L=8.5				1
46	SS2110915SP	SCREW 11/64-40 L=8.5				1

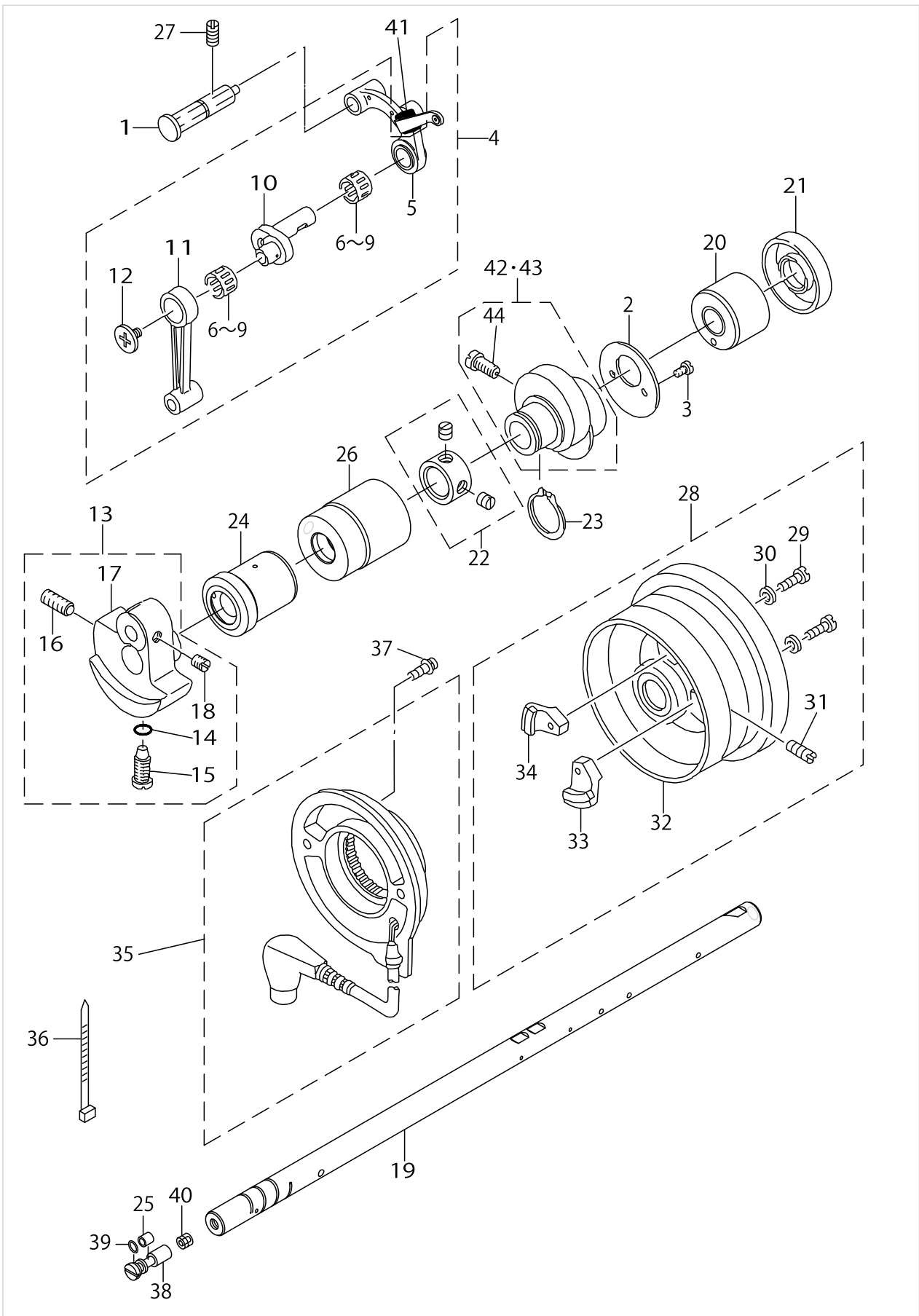
MACHINE FRAME & MISCELLANEOUS COVER COMPONENTS



MACHINE FRAME & MISCELLANEOUS COVER COMPONENTS

No.	Parts No.	Parts name	Remarks	Level	Cons	Qty
47	22920607	ARM THREAD GUIDE B				1
48	SS6110610TP	SCREW 11/64-40 L=6				1
49	TA1250406R0	RUBBER PLUG D=12.5 L=4				2
50	SS4120915SP	SCREW 3/16-28 L=9				3
51	22901250	SLIDE PLATE ASM.				1
52	22901201	SLIDE PLATE		*		1
53	22901300	SLIDE PLATE SPRING		*		1
54	SS6060210SP	SCREW 3/32-56 L=1.9		*		2
55	22901003	BED SCREW STUD				4
56	22902605	RULER STOP SEAT				1
57	SS7110540SP	SCREW 11/64-40 L=5				2
58	SS1120710SP	SCREW 3/16-28 L=6.7	FOR DDL-5600NL-7-0B, DDL-5600NU-7-0B			1
59	22935407	BED OIL SHIELD RUBBER				1
60	WT0530002KS	TOOTHED WASHER D=5.3				1
61	40111022	MAGNET CORD RUBBER	FOR DDL-5600NL-7-0B, DDL-5600NU-7-0B			1
62	11100500	REVERSE FEED LEVER STOPPER	FOR DDL-5600NU-7-0B			1
63	D1126560E00A	ARM THREAD GUIDE A	FOR DDL-5600NU-7-0B			1
64	11102605	CORD HOLDER				1

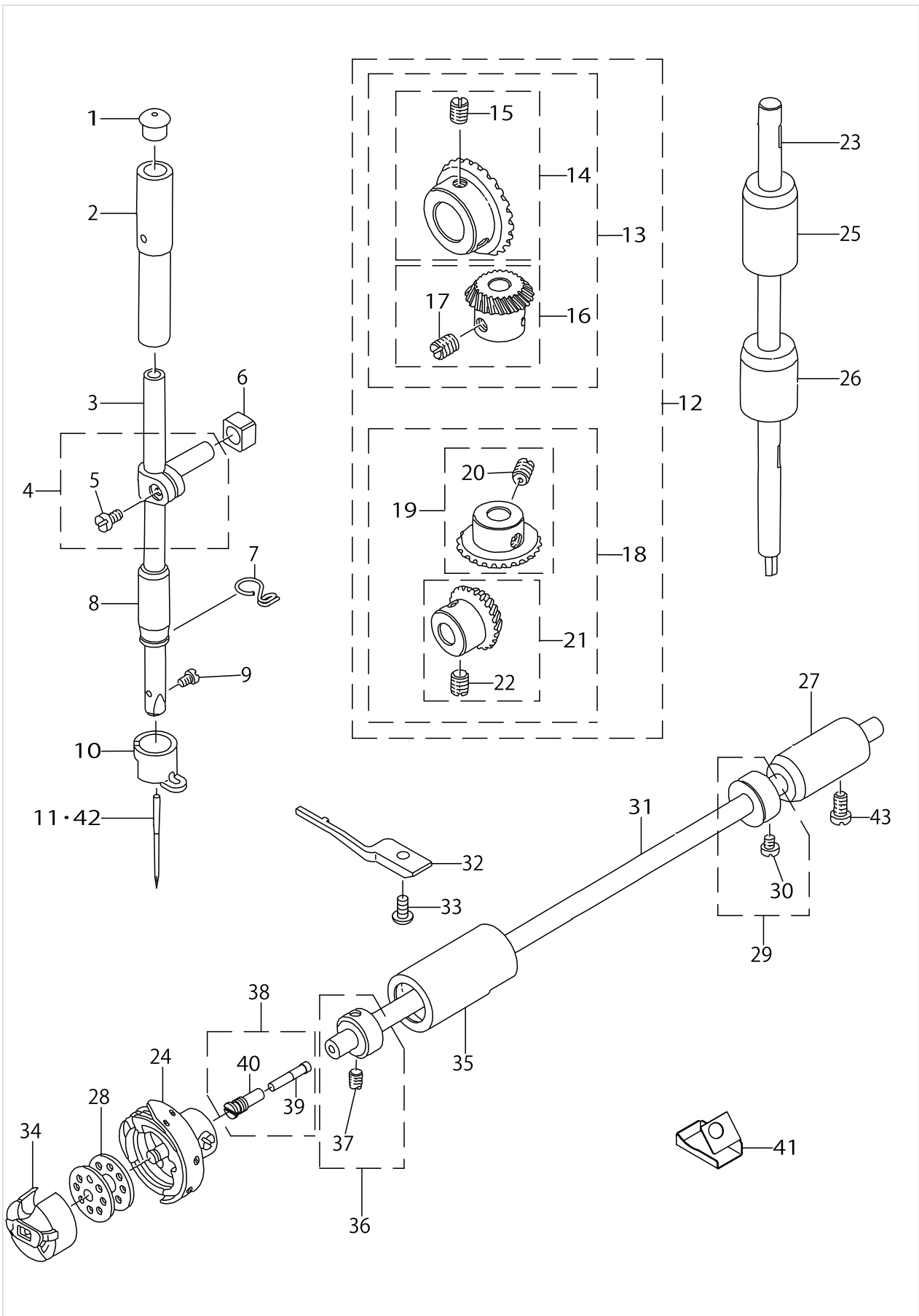
MAIN SHAFT & THREAD TAKE-UP LEVER COMPONENTS



MAIN SHAFT & THREAD TAKE-UP LEVER COMPONENTS

No.	Parts No.	Parts name	Remarks	Level	Cons	Qty
1	11017357	THREAD TAKE-UP CRANK SHAFT ASM.				1
2	11402401	THRUST COLLAR				1
3	SS6090650SP	SCREW 9/64-40 L=6				2
4	11403979	THREAD TAKE-UP LEVER ASM.				1
5	11403961	THREAD TAKE-UP LEVER ASM.		*		1
6	22918403	NEEDLE BEARING A	SELECTIVE PART(A~D)	*		2
7	22918502	NEEDLE BEARING B	SELECTIVE PART(A~D)	*		2
8	22918601	NEEDLE BEARING C	SELECTIVE PART(A~D)	*		2
9	22918700	NEEDLE BEARING D	SELECTIVE PART(A~D)	*		2
10	40109126	NEEDLE_BAR_CRANK_H		*		1
11	22906606	NEEDLE_BAR_CRANK_ROD		*		1
12	22918304	LEFT SCREW		*		1
13	40057179	COUNTER WEIGHT ASM.				1
14	RO044240100	RUBBER RING		*		1
15	SS7681650TP	SCREW 9/32-28 L=16		*		1
16	SS8681650TP	SCREW 9/32-28 L=16		*		1
17	40057178	COUNTER WEIGHT		*		1
18	SS8660610TP	SCREW 1/4-40 L=6		*		2
19	22903009	MAIN SHAFT				1
20	11002409	MAIN SHAFT BUSHING REAR				1
21	40105231	OIL SEAL				1
22	22904155	MAIN SHAFT THRUST COLLAR ASM.				1
23	RC1850001KP	SNAP RING 18.5				1
24	22903207	MAIN SHAFT BUSHING FRONT				1
25	B1215552000	OIL ADJUSTING COLLAR				1
26	22903306	BUSHING INTERMEDIATE				1
27	SS8151150SP	SCREW 15/64-28 L=10.5				1
28	11071495	HAND WHEEL ASM.				1
29	SS6111210SP	SCREW 11/64-40 L=12		*		2
30	WP0450801SD	WASHER 4.5X10X0.8		*		2
31	SS8151550SP	SCREW 15/64-28 L=15		*		2
32	11071453	HAND WHEEL ASM.		*		1
33	M40071100AA	MAGNET FITTING BASE A ASM.		*		1
34	M40071100AB	MAGNET FITTING BASE B ASM.		*		1
35	22937965	DYNAMO STATOR				1
36	HX000430000	CLIP				1
37	SL4051001MZ	SCREW M5 L=9.6				2
38	B1213552000A	OIL ADJUSTING PIN	EXCEPT DDL-5600NJ-7-0B,-FB			1
39	RO029180100	RUBBER RING				1
40	11002904	ROLLER FELT				1
41	22919203	OIL PROTECTING RUBBER				1
42	22970552	FEED ECCENTRIC CAM ASM.				1
43	11403151	FEED CAM ASM. U	FOR DDL-5600NU-7-0B			1
44	SS6661110SP	SCREW 1/4-40 L=11		*		2

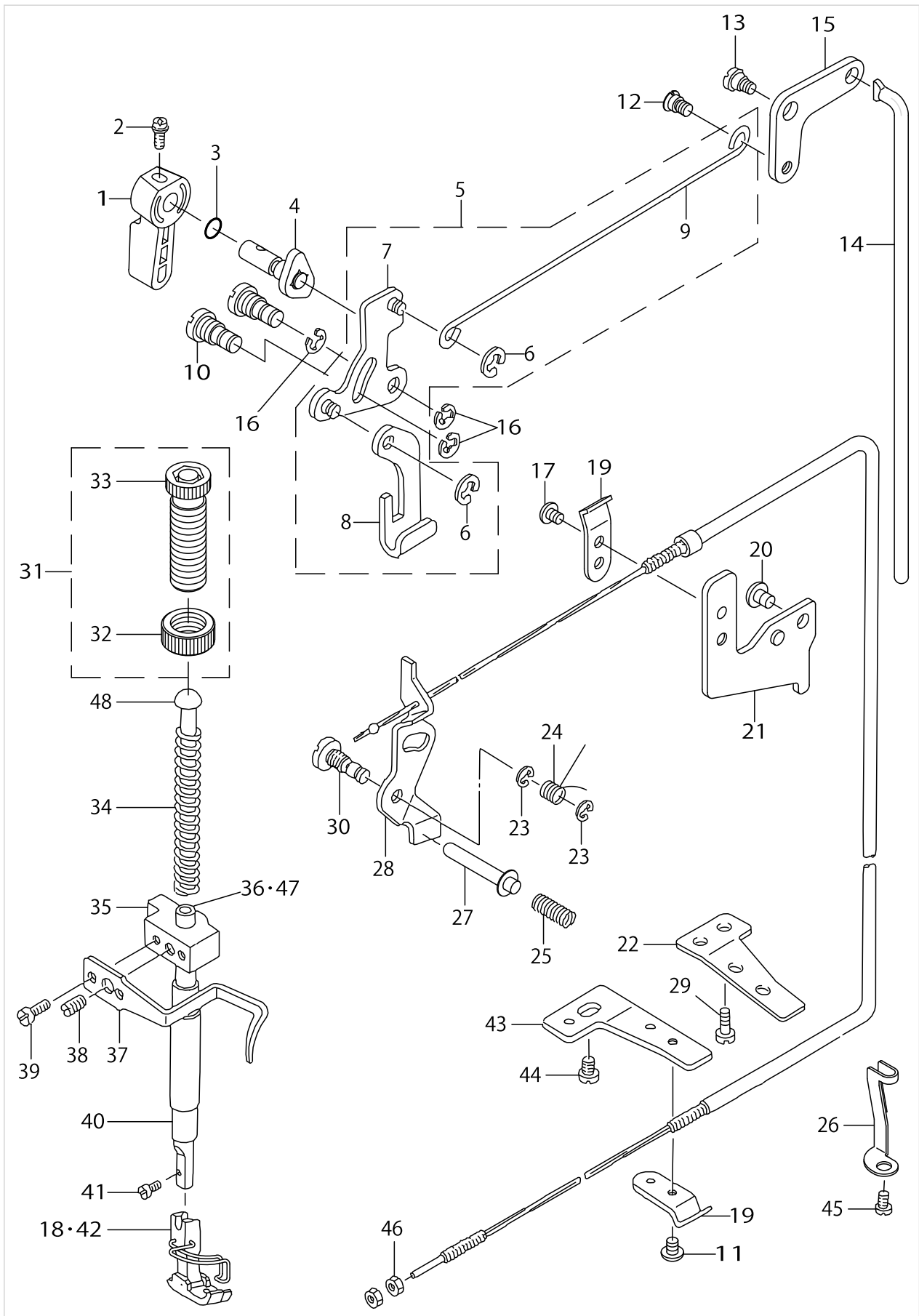
NEEDLE BAR, UPRIGHT SHAFT & HOOK DRIVING SHAFT COMPONENTS



NEEDLE BAR, UPRIGHT SHAFT & HOOK DRIVING SHAFT COMPONENTS

No.	Parts No.	Parts name	Remarks	Level	Cons	Qty
1	22901409	NEEDLE BAR UPPER BUSH CAP				1
2	22906101	NEEDLE BAR BUSHING UPPER				1
3	11401809	NEEDLE BAR				1
4	22906457	NEEDLE BAR HOLDER ASM.				1
5	SS6090670TP	SCREW 9/64-40 L=6		*		1
6	40090058	SLIDE BLOCK				1
7	40023223	NEEDLE BAR THREAD GUIDE				1
8	11005105	NEEDLE BAR BUSHING LOWER				1
9	SS7080510TP	SCREW 1/8-44 L=4.5				1
10	40024124	NEEDLE BAR THREAD GUIDE				1
11	MDB100B2100	NEEDLE DBX1 #21				1
12	B13061550C0	GEAR & PINION ASM.				1
13	B13061550B0	GEAR & PINION ASM. UPPER		*		1
14	B13050120A0	GEAR ASM.		*		1
15	SS8660810TP	SCREW 1/4-40 L=8		*		2
16	B13061550A0	PINION ASM.		*		1
17	SS8660810TP	SCREW 1/4-40 L=8		*		2
18	B13071550B0	GEAR & PINION ASM. LOWER		*		1
19	B13071550A0	GEAR ASM. LARGE		*		1
20	SS8660810TP	SCREW 1/4-40 L=8		*		2
21	B13081550A0	PINION ASM.		*		1
22	SS8660810TP	SCREW 1/4-40 L=8		*		2
23	11401403	UPRIGHT SHAFT				1
24	D1830560EA0	HOOK ASM.				1
25	22905103	UPRIGHT SHAFT BUSHING UPPER				1
26	11004207	UPRIGHT SHAFT BUSHING LOWER				1
27	22916308	HOOK DRIVING SHAFT BUSH REAR				1
28	40021610	BOBBIN				1
29	22917157	THRUST COLLAR ASM. REAR				1
30	SS6110420TP	SCREW 11/64-40 L=4.8		*		2
31	11403300	HOOK DRIVING SHAFT				1
32	40102871	POSITIONING FINGER				1
33	SS4110915TP	SCREW 11/64-40 L=9				1
34	B1837201SA0	BOBBIN CASE ASM.				1
35	40021613	HOOK DRIVING SHAFT BUSH FRONT				1
36	22917058	THRUST COLLAR ASM. FRONT				1
37	SS8110410TP	SCREW 11/64-40 L=3.5		*		2
38	11404753	OIL SEAL SCREW				1
39	11404704	OIL WICK		*		1
40	11403607	SCREW		*		1
41	22942601	OIL SHIELD				1
42	MC200501300	NEEDLE 134 NM130	FOR JE			1
43	SS4120915SP	SCREW 3/16-28 L=9				1

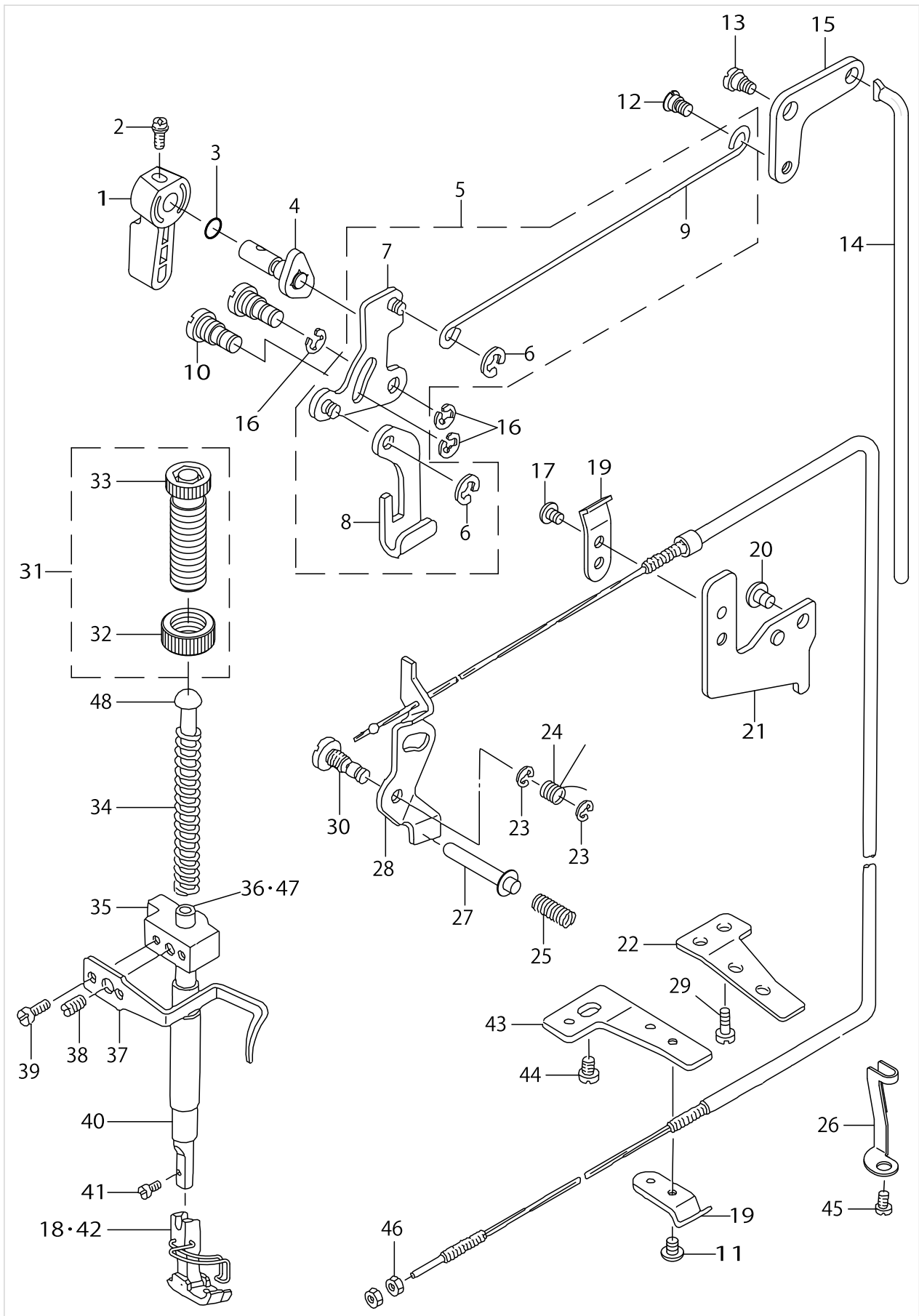
HAND LIFTER COMPONENTS



HAND LIFTER COMPONENTS

No.	Parts No.	Parts name	Remarks	Level	Cons	Qty
1	22907802	HAND LIFTER				1
2	B1521555000	SCREW				1
3	RO037180100	RUBBER RING				1
4	22908552	HAND LIFTER CAM ASM.				1
5	22908354	KNEE LIFTING CROSS ROD ASM.				1
6	RE0500000K0	E-RING		*		2
7	22908156	LIFTING LINK ASM.		*		1
8	22908008	LIFTING PLATE		*		1
9	22908305	KNEE LIFTER SIDE ROD		*		1
10	22908701	LINK SHAFT				2
11	SS4110515SP	SCREW 11/64-40 L=5				1
12	22908909	HINGE SCREW				1
13	SD0720331SP	HINGE SCREW D=7.24 H=3.3				1
14	22909006	KNEE LIFTER CONNECTING ROD				1
15	22908800	KNEE LIFTER LINK				1
16	RE0500000K0	E-RING				3
17	SS4110515SP	SCREW 11/64-40 L=5				1
18	D1524555EBL	PRESSER FOOT ASM.				2
19	22944508	WIRE PRESSER A				2
20	SS4120615SP	SCREW 3/16-28 L=6				1
21	22944607	WIRE PRESSER BASE UPPER				1
22	22962807	WIRE PRESSER PLATE B	FOR DDL-5600NL-7-0B, DDL-5600NU-7-0B			1
23	RE0500000K0	E-RING				2
24	22920201	RETURN SPRING				1
25	22920409	THREAD RELEASE PIN SPRING				1
26	11306206	WIRE CABLE HOLDER				1
27	22920300	THREAD RELEASE SUPPORTING PIN				1
28	22944854	THREAD RELEASE WIRE ASM.				1
29	SS7110740TP	SCREW 11/64-40 L=7	FOR DDL-5600NL-7-0B, DDL-5600NU-7-0B			1
30	22920102	TENSION RELEASE SHAFT				1
31	22907554	PRESSER SPRING REG NUT ASM.				1
32	22907604	PRESSER SPRING REGULATOR NUT		*		1
33	22907505	PRESSER SPRING REGULATOR		*		1
34	11401502	BUTTON CLAMP PRESSURE SPRING				1
35	22907208	PRESSER BAR GUIDE BRACKET				1
36	40017805	PRESSER BAR	EXCEPT DDL-5600NJ-7-FB, DDL-5600NR-7-0B			1
37	22907307	THREAD GUIDE	EXCEPT DDL-5600NJ-7-0B,-FB			1
38	SS8660810TP	SCREW 1/4-40 L=8				1
39	SS6090910SP	SCREW 9/64-40 L=9				2
40	40060989	PRESSER BAR BUSHING LOWER				1
41	SS7091110SP	SCREW 9/64-40 L=10.5				1
42	D1524560EBB	PRESSER FOOT ASM.	FOR DDL-5600NU-7-0B			1
43	11045705	WIRE HOLDER BRACKET (LOWER)				1
44	SS4150915SP	SCREW 15/64-28 L=9				1
45	SS4120615SP	SCREW 3/16-28 L=6				1
46	NS6620310SP	NUT 3/16-32				2
47	MAV02128000	PRESSER BAR	FOR DDL-5600NJ-7-FB			1

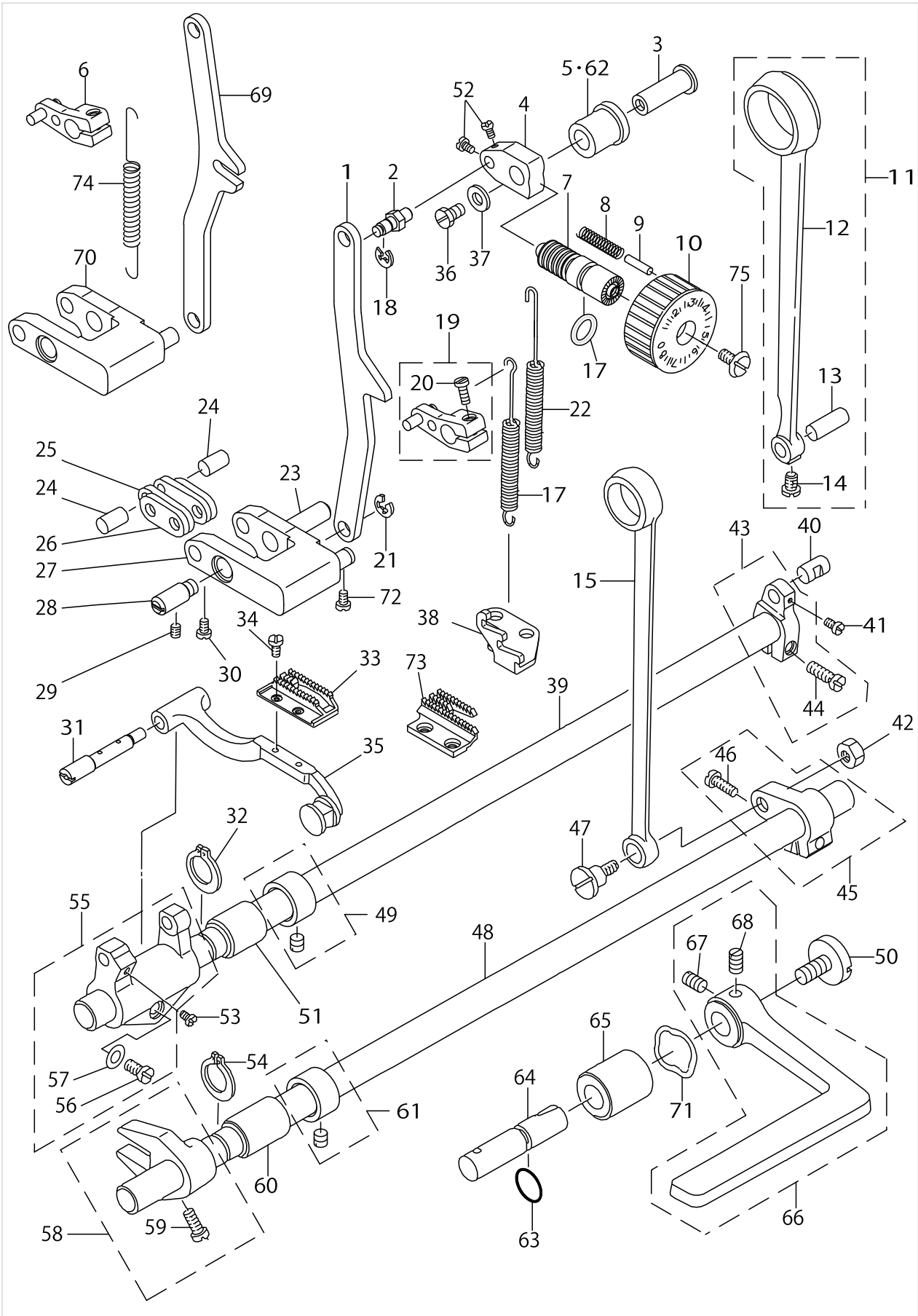
HAND LIFTER COMPONENTS



HAND LIFTER COMPONENTS

No.	Parts No.	Parts name	Remarks	Level	Cons	Qty
48	22907703	PRESSER GUIDE BAR				1

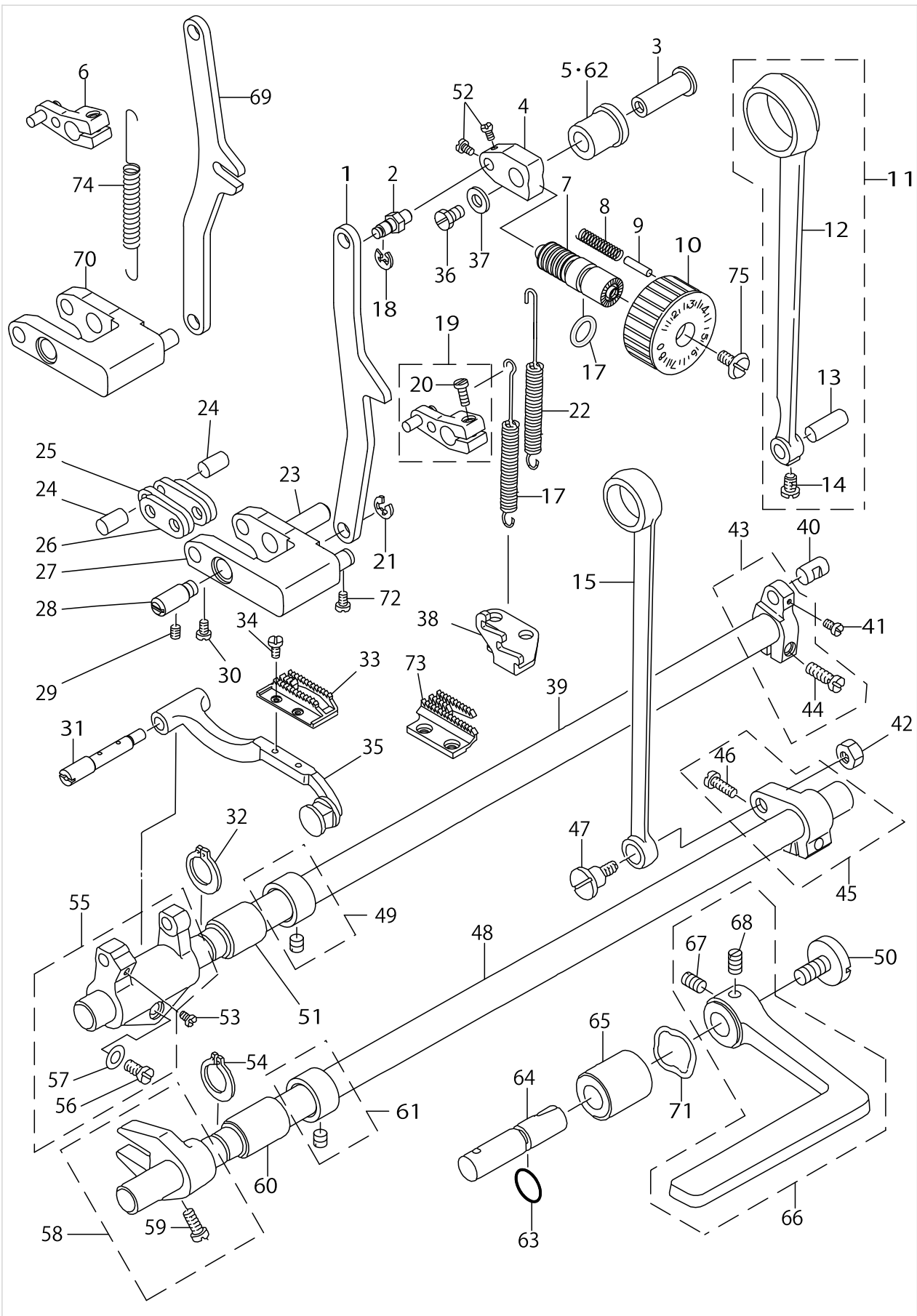
FEED MECHANISM COMPONENTS



FEED MECHANISM COMPONENTS

No.	Parts No.	Parts name	Remarks	Level	Cons	Qty
1	11314507	FEED ADJUST ROD	FOR DDL-5600NL-7-0B			1
2	22971204	FEED REGULATOR BASE PIN				1
3	11385127	FEED REGULATOR SHAFT				1
4	11402716	FEED REGULATOR				1
5	11009800	FEED REGULATOR BUSHING	FOR DDL-5600NL-7-0B			1
6	11311057	FEED REVERSE ARM ASM.	FOR DDL-5600NL-7-0B			1
7	22911804	FEED REGULATOR SCREW				1
8	22912109	FEED REGULATOR PIN SPRING				1
9	22912000	FEED REGULATOR PIN				1
10	11402203	FEED DIAL				1
11	22970750	HORIZONTAL FEED ROD ASM.				1
12	22970701	HORIZONTAL FEED ROD		*		1
13	22911101	WALKING FOOT PIN C		*		1
14	SS6090620SP	SCREW 9/64-40 L=6		*		1
15	22915003	CONNECTING ROD				1
16	RO092270200	RUBBER RING				1
17	11305000	SPRING	FOR DDL-5600NL-7-00			1
18	RE0500000K0	E-RING				1
19	22971550	FEED LEVER ARM ASM.	FOR DDL-5600NL-7-00			1
20	SS7121410TP	SCREW 3/16-28 L=14		*		1
21	RE0500000K0	E-RING				1
22	11302619	SPRING				1
23	40010395	ADJUSTING LINK FULCRUM SHAFT B				1
24	22910905	WALKING FOOT PIN A				2
25	22910707	CONNECTING LINK B				2
26	22910608	CONNECTING LINK A				2
27	11303161	FEED ADJUST LINK ASM.				1
28	22910806	ADJUST LINK FULCRUM SHAFT A				1
29	SS8150710SP	SCREW 15/64-28 L=7				1
30	SS6090620SP	SCREW 9/64-40 L=6				2
31	22940803	FEED BAR SHAFT				1
32	RC0150001KP	RETAINING RING 13.8				1
33	D1613560E0A	FEED DOG				1
34	SS4080620TP	SCREW 1/8-44 L=6				2
35	22940753	FEED BAR ASM.				1
36	SS9661120CP	SCREW 1/4-40 L=10.5				1
37	WP0702026SP	WASHER 7X15X2				1
38	22970602	FEED SPRING HOOK				1
39	22912901	FEED ROCKER SHAFT				1
40	22911002	WALKING FOOT PIN B				1
41	SS6090620SP	SCREW 9/64-40 L=6				1
42	NS6680410SP	NUT 9/32-28				1
43	22970859	HORIZONTAL FEED ARM ASM.				1
44	SS6121610SP	SCREW 3/16-28 L=15.5		*		1
45	22915151	FEED ARM COMPL.				1
46	SS7121610SP	SCREW 3/16-28 L=15.5		*		1
47	SD1000801SH	HINGE SCREW D=10 H=8				1

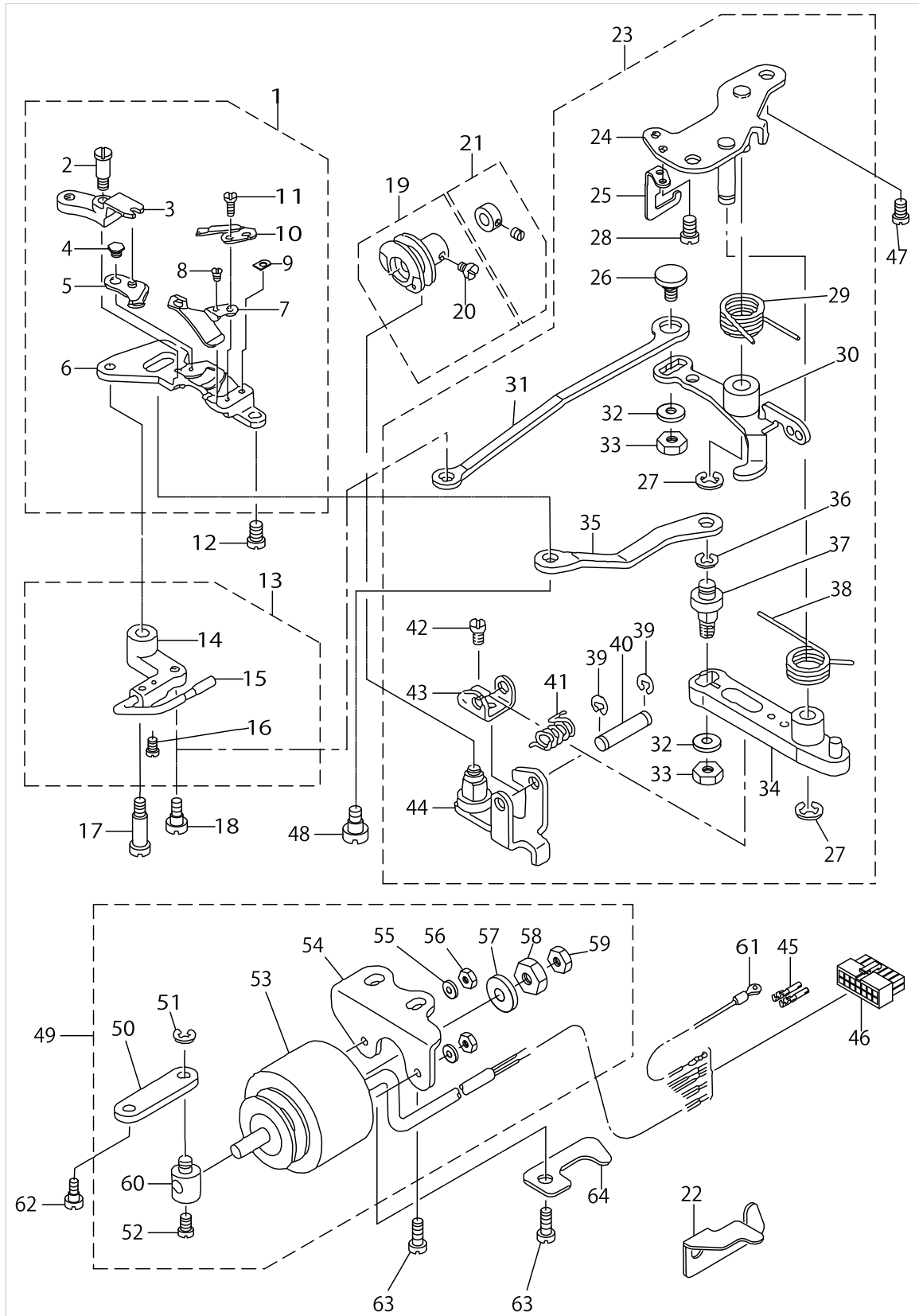
FEED MECHANISM COMPONENTS



FEED MECHANISM COMPONENTS

No.	Parts No.	Parts name	Remarks	Level	Cons	Qty
48	22915201	FEED DRIVING SHAFT				1
49	22904155	MAIN SHAFT THRUST COLLAR ASM.				1
50	SS7620750SP	SCREW 3/16-32 L=6.5				1
51	22913008	FEED ROCKER SHAFT BUSHING				1
52	SS6090560TP	SCREW 9/64-40 L=4.5				2
53	SS7110740TP	SCREW 11/64-40 L=7				1
54	RC0150001KP	RETAINING RING 13.8				1
55	22940654	FEED ROCKER ASM.				1
56	SS7121410TP	SCREW 3/16-28 L=14		*		1
57	WP0480856SP	WASHER 4.8X8.4X0.8		*		1
58	22915359	DRIVING SHAFT CRANK ASM.				1
59	SS7111120SP	SCREW 11/64-40 L=10.5		*		1
60	22913008	FEED ROCKER SHAFT BUSHING				1
61	22904155	MAIN SHAFT THRUST COLLAR ASM.				1
62	22911705	FEED REGULATOR BUSHING	FOR DDL-5600NL-7-00			1
63	RO078190100	RUBBER RING				1
64	22967202	FEED REVERSE SHAFT				1
65	22912802	FEED LEVER SHAFT BUSHING				1
66	22912752	FEED LEVER ASM.				1
67	SM8061050TP	SCREW		*		1
68	SM8061010TP	SCREW		*		1
69	22971105	FEED REGULATOR ROD	FOR DDL-5600NL-7-00			1
70	11314267	FEED ADJUST LINK ASM.	FOR DDL-5600NL-7-0B			1
71	WZ1250300K0	WAVED WASHER 12.5X17X0.3	FOR DDL-5600NL-7-00			1
72	SS6151220SP	SCREW 15/64-28 L=11.5				1
73	D1613560E00	FEED DOG	FOR DDL-5600NU-7-0B			1
74	11302700	SPRING	FOR DDL-5600NL-7-0B			1
75	SS6121860SP	SCREW 3/16-28 L=18				1

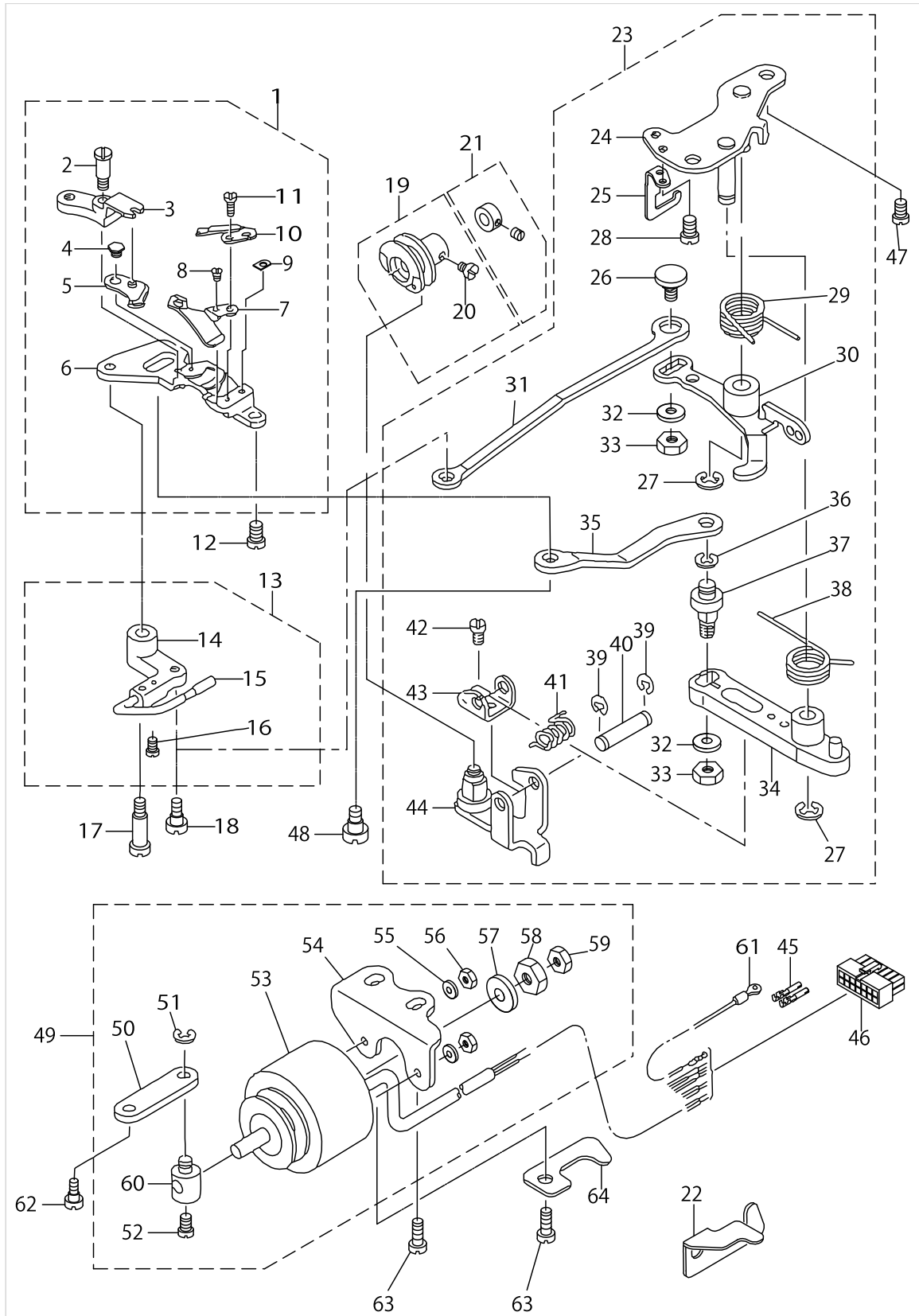
THREAD TRIMMER MECHANISM COMPONENTS



THREAD TRIMMER MECHANISM COMPONENTS

No.	Parts No.	Parts name	Remarks	Level	Cons	Qty
1	11409554	KNIFE UNIT				1
2	SD0460703TP	HINGE SCREW D=4.6 H=7		*		1
3	11409703	FEED FORKED		*		1
4	SD0500131TP	HINGE SCREW D=5 H=1.25		*		1
5	11409257	MOVING KNIFE J ASM.		*		1
6	11409505	INSTALLING BASE		*		1
7	11095403	KNIFE THREAD GUIDE		*		1
8	SS2060210SP	SCREW 3/32-56 L=2.3		*		1
9	D2404555B00	COUNTER KNIFE SPACER		*		1
10	11409604	FIX KNIFE		*		1
11	SS4080620TP	SCREW 1/8-44 L=6		*		2
12	SS4110715SP	SCREW 11/64-40 L=7				1
13	11408655	PICKER ARM ASM.				1
14	11408606	PICKER ARM		*		1
15	22950356	HOOK THREAD PRESSER ASM.		*		1
16	SS6090510SP	SCREW 9/64-40 L=5		*		2
17	SD0641451SP	HINGE SCREW D=6.35 H=14.5				1
18	SD0630275SP	HINGE SCREW D=6.35 H=2.7				1
19	22950851	THREAD TRIMMER CAM ASM.				1
20	SS6660610TP	SCREW 1/4-40 L=6		*		2
21	22950950	CAM COLLAR ASM.				1
22	22962708	TUBE HOLDER LOWER	FOR DDL-5600NL-7-0B, DDL-5600NU-7-0B			1
23	11407053	THREAD TRIMMER DRIVING UNIT				1
24	22949754	BASE PLATE ASM.		*		1
25	22950703	DRIVING ARM STOPPER		*		1
26	22950000	PICKER LINK PIN		*		1
27	RE0600000K0	E-RING 6		*		2
28	SS4110715SP	SCREW 11/64-40 L=7		*		2
29	11094406	SPRING		*		1
30	11407855	CLUTCH PLATE ASM.		*		1
31	11407202	PICKER LINK		*		1
32	WP0621016SH	WASHER		*		2
33	NS6150430SP	NUT 15/64-28		*		2
34	22948558	KNIFE DRIVING ARM ASM.		*		1
35	11407103	MOVING KNIFE LINK		*		1
36	RE0500000K0	E-RING		*		1
37	22948400	MOVING KNIFE LINK PIN		*		1
38	11041605	KNIFE RETURN SPRING		*		1
39	RE0400000K0	E-RING 4		*		2
40	22949101	ROLLER FULCRUM SHAFT		*		1
41	22949200	ROLLER RETURN SPRING		*		1
42	SS7090610SP	SCREW 9/64-40 L=6		*		1
43	11094307	ROLLER ARM BRACKET		*		1
44	11040953	ROLLER ARM ASM.		*		1
45	HK03464000B	PIN CONTACT				2
46	HK034610140	HOUSING 14P				1

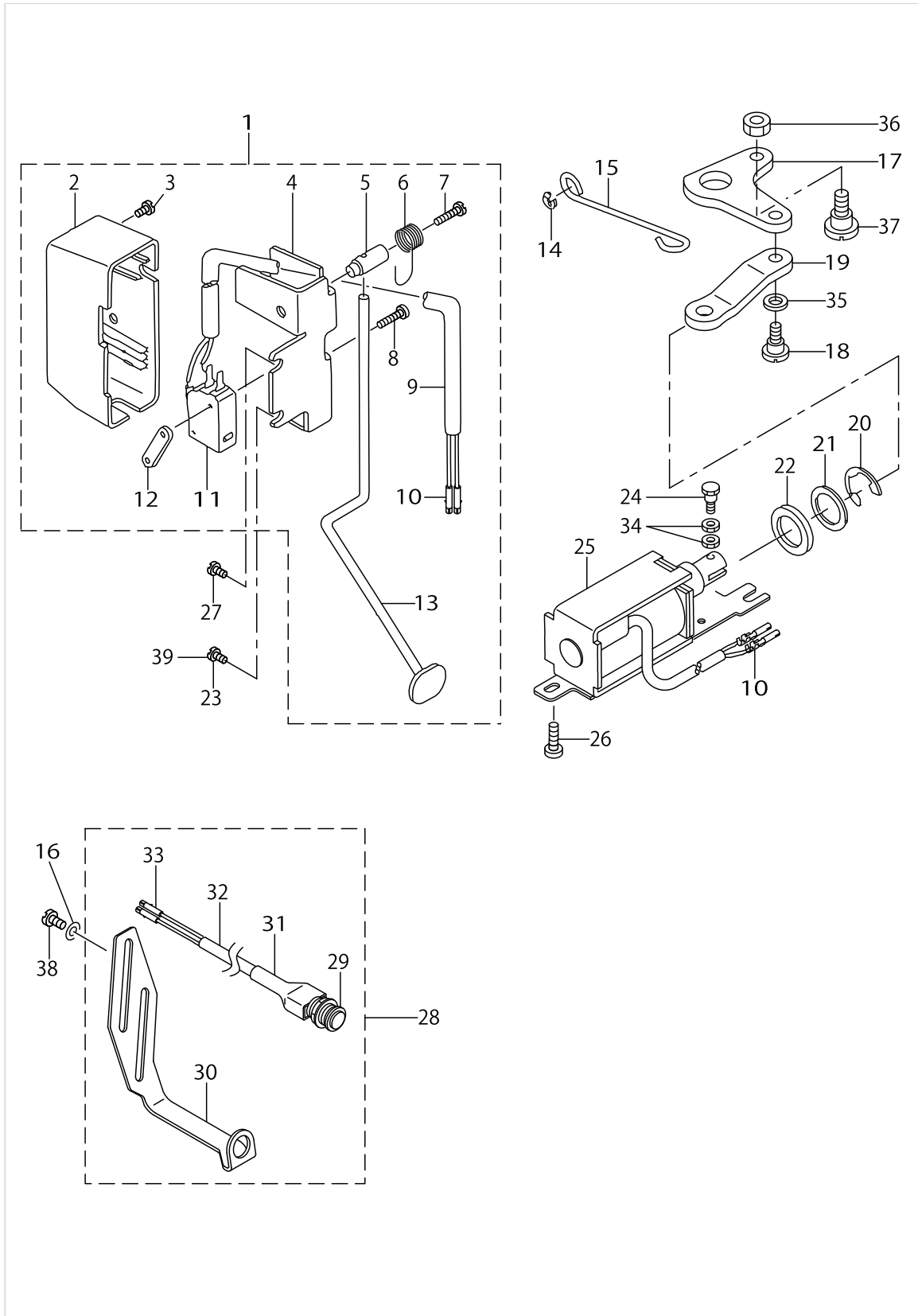
THREAD TRIMMER MECHANISM COMPONENTS



THREAD TRIMMER MECHANISM COMPONENTS

No.	Parts No.	Parts name	Remarks	Level	Cons	Qty
47	SS4150915SP	SCREW 15/64-28 L=9				2
48	SD0640631TP	HINGE SCREW D=6.35 H=6.3				1
49	11407459	SOLENOID UNIT				1
50	11407707	CLUTCH LINK		*		1
51	RE0500000K0	E-RING		*		1
52	SS6110710TP	SCREW 11/64-40 L=6.5		*		1
53	11096500	THREAD TRIMMER SOLENOID		*		1
54	11407608	SOLENOID BASE		*		1
55	WP0450000SD	WASHER 4.5X8X0.5		*		2
56	NM6040000SN	NUT M4		*		2
57	11043304	SOLENOID RUBBER		*		1
58	NS6660410SH	NUT		*		1
59	NS6660430SP	NUT 1/4-40		*		1
60	11043007	SOLENOID PIN		*		1
61	22951552	GROUND WIRE ASM.				1
62	SD0600452TP	HINGE SCREW D=6 H=4.5				1
63	SS4151215SP	SCREW 15/64-28 L=12				2
64	22924807	PIPE HOLDER LOWER				1

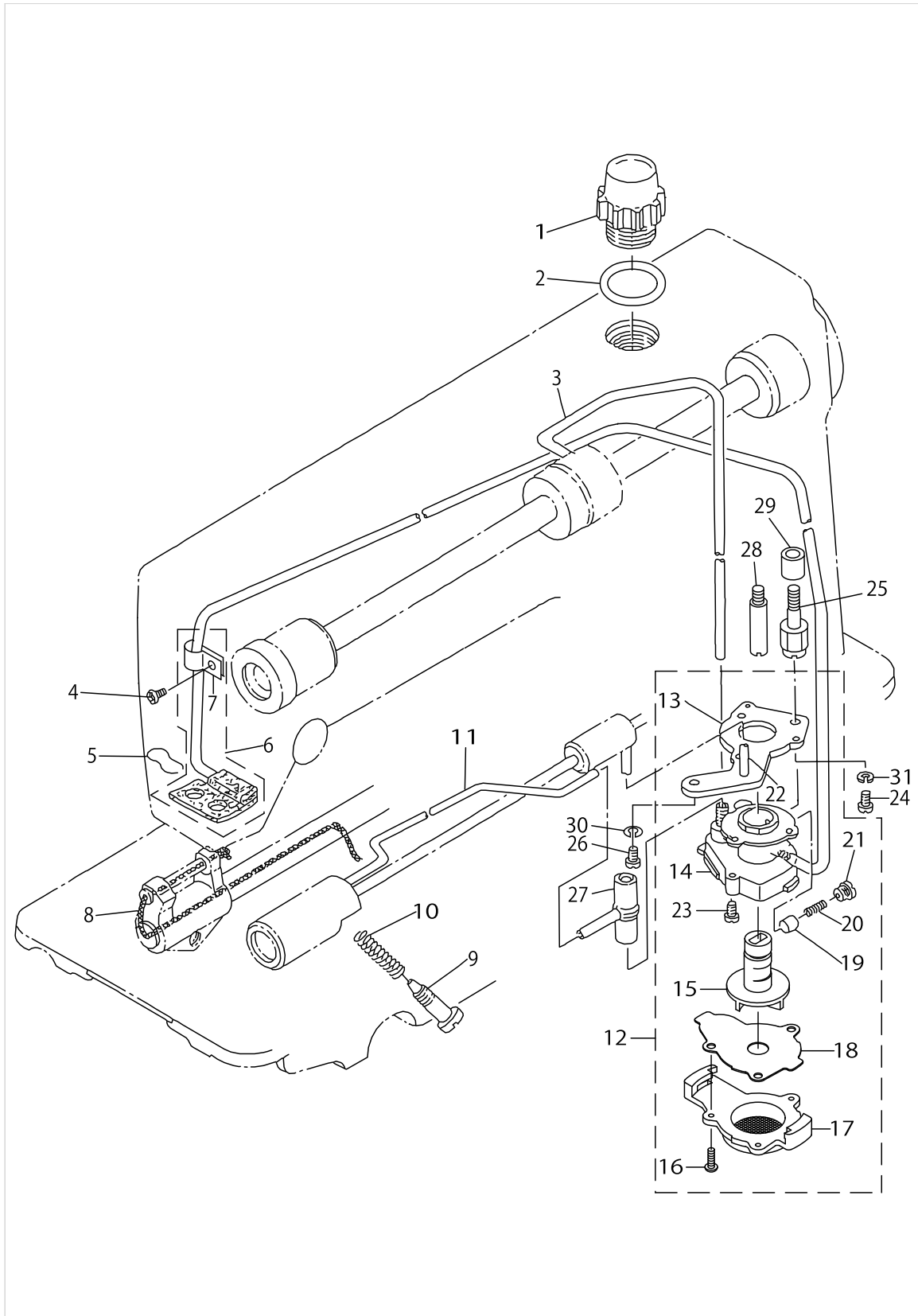
AUTOMATIC REVERSE FEED COMPONENTS



AUTOMATIC REVERSE FEED COMPONENTS

No.	Parts No.	Parts name	Remarks	Level	Cons	Qty
1	11075058	REVERSE FEED SWITCH ASM.				1
2	22954606	REVERSE FEED SWITCH COVER		*		1
3	SM4040655SP	SCREW M4 L=6		*		1
4	22954101	REVERSE FEED SWITCH BASE		*		1
5	22954200	REVERSE FEED SWITCH SHAFT		*		1
6	22954309	REVERSE FEED SWITCH SPRING		*		1
7	SM4041655SP	SCREW M4 L=16		*		1
8	SM4031501SC	SCREW M3 L=15		*		2
9	HW500070000	2-CORE CABTYRE CORD		*		1.3
10	HK03464000B	PIN CONTACT		*		4
11	HA001900000	MICROSWITCH		*		1
12	11102308	MICRO SWITCH PLATE		*		1
13	22954507	REVERSE FEED SWITCH LEVER		*		1
14	RE0500000KP	E-RING 5				1
15	11101300	REVERSE FEED CONNECTING SHAFT				1
16	WP0501016SD	WASHER 5X10.5X1	FOR DDL-5600NU-7-0B			1
17	11101508	REVERSE FEED LINK				1
18	SD0700451TP	HINGE SCREW D=7 H=4.5				1
19	22962500	SOLENOID CONNECTING LINK				1
20	RE1200000K0	E-RING 12				1
21	WP1602616SZ	WASHER 16X24X2.6				1
22	D2468555B00	RUBBER PLUNGER				1
23	SS4120915SP	SCREW 3/16-28 L=9				1
24	22962906	PLUNGER ARM PIN				1
25	11096658	SOLENOID MOUNTING BASE ASM.				1
26	SS4151215SP	SCREW 15/64-28 L=12				1
27	SS4120615SP	SCREW 3/16-28 L=6				2
28	11415650	BACKWARD FEED SWITCH ASM.	FOR DDL-5600NU-7-0B			1
29	10313005	BACK-TOUCH SWITCH	FOR DDL-5600NU-7-0B	*		1
30	11409018	REVERSE FEED SWITCH BASE	FOR DDL-5600NU-7-0B	*		1
31	MAT81131T00	6-POLE PLUG COVER	FOR DDL-5600NU-7-0B	*		1
32	HW500070000	2-CORE CABTYRE CORD	FOR DDL-5600NU-7-0B	*		1.4
33	HK03464000B	PIN CONTACT	FOR DDL-5600NU-7-0B	*		2
34	NS6110420SP	NUT 11/64-40				2
35	WP0722316SH	WASHER				1
36	NS6110420SP	NUT 11/64-40				1
37	SD0700711TP	HINGE SCREW D=7 H=7.1				1
38	SS4120615SP	SCREW 3/16-28 L=6	FOR DDL-5600NU-7-0B			1
39	SS4120915SP	SCREW 3/16-28 L=9	FOR DDL-5600NJ-7-FB			1

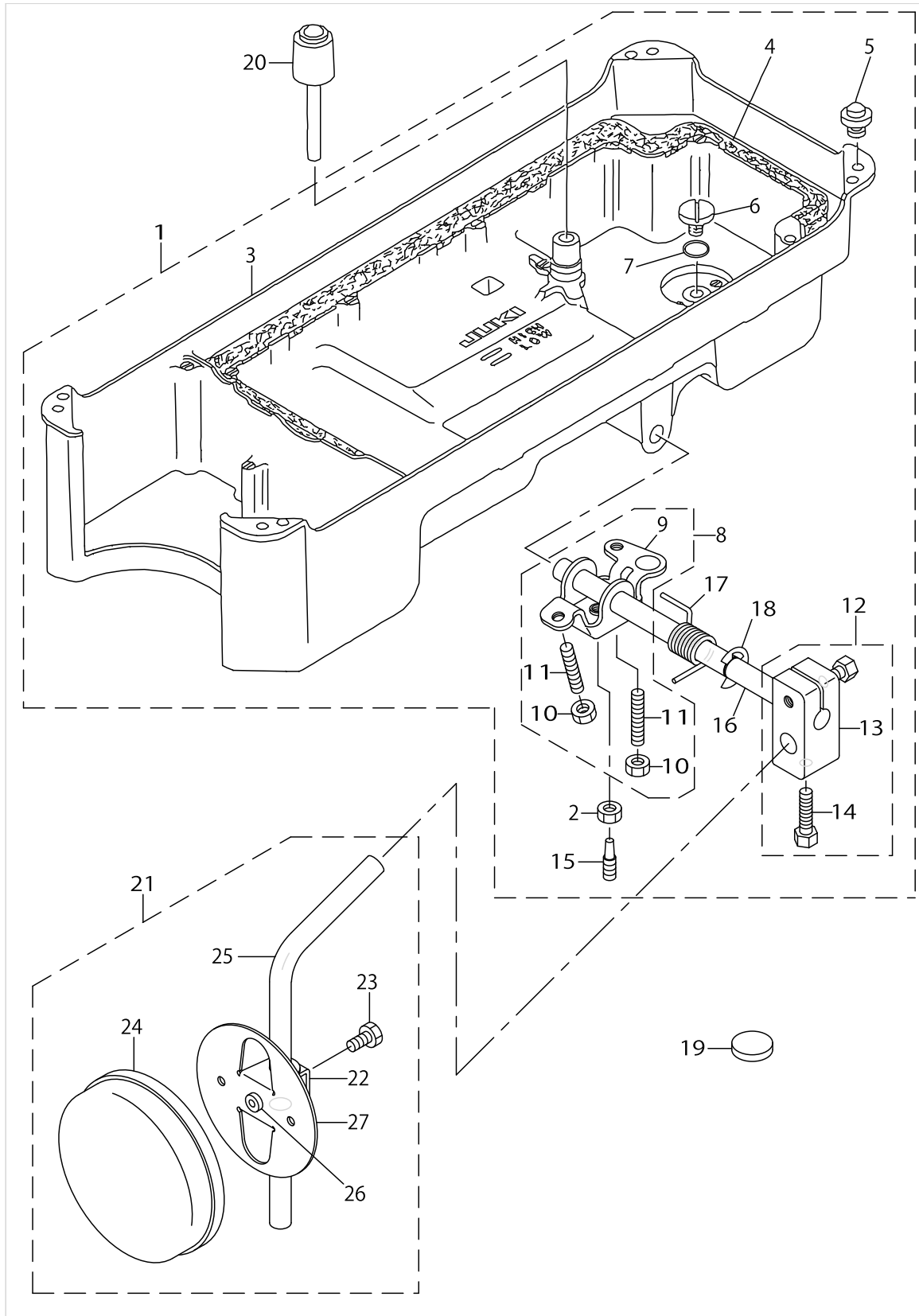
OIL LUBRICATION COMPONENTS



OIL LUBRICATION COMPONENTS

No.	Parts No.	Parts name	Remarks	Level	Cons	Qty
1	22947006	OIL SIGHT WINDOW				1
2	RO195240100	RUBBER RING				1
3	22924401	MAIN SHAFT OIL TUBE				1
4	SS4120615SP	SCREW 3/16-28 L=6				1
5	22925101	OIL FELT PRESSER				1
6	22924153	RETURN PIPE ASM.				1
7	22924302	RETURN PIPE HOLDER		*		1
8	CQ252000000	OIL WICK				0.3
9	22925002	OIL REGULATOR SCREW				1
10	22924906	OIL REGULATOR SCREW SPRING				1
11	11094109	OIL TUBE				1
12	11404555	LUBRICATING OIL PUMP ASM.				1
13	22923312	OIL PUMP INSTALLING BASE		*		1
14	22923015	OIL PUMP		*		1
15	22923700	IMPELLER		*		1
16	SE4301041SR	SCREW D=3 L=10		*		3
17	22923205	PUMP BODY COVER		*		1
18	22923809	PUMP BODY SUPPORT PLATE		*		1
19	22923403	PLUNGER		*		1
20	22923601	PLUNGER SPRING		*		1
21	22923502	PLUNGER SCREW		*		1
22	11404605	HOOK DRIVING SHAFT OIL TUBE		*		1
23	SL4030851SF	SCREW M3 L=8		*		3
24	SS6111010TP	SCREW 11/64-40 L= 9.5				1
25	11231503	OIL PUMP SUPPORT	FOR DDL-5600NL-7-0B, DDL-5600NU-7-0B			1
26	SS4150915SP	SCREW 15/64-28 L=9	FOR DDL-5600NL-7-0B, DDL-5600NU-7-0B			1
27	22924609	RUBBER JOINT				1
28	22924005	PUMP BODY STRUT	FOR DDL-5600NL-7-00			1
29	22962609	REVERSE FEED BASE COLLAR	FOR DDL-5600NL-7-0B, DDL-5600NU-7-0B			1
30	WS0651310KP	SPRING WASHER 6.5X11X1.3				1
31	WS0451040KP	SPRING WASHER 4.5X8.5X1				1

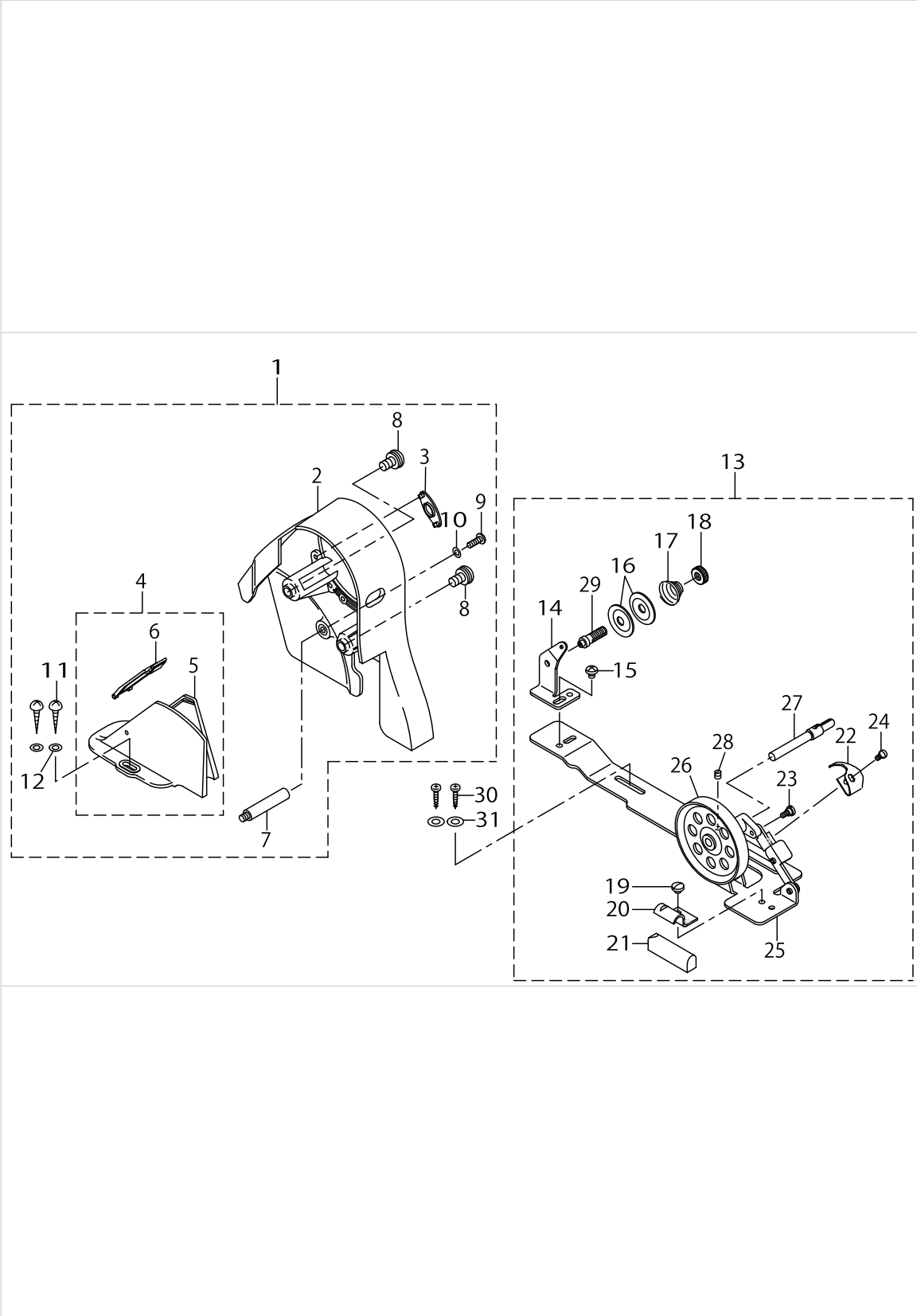
OIL RESERVOIR COMPONENTS



OIL RESERVOIR COMPONENTS

No.	Parts No.	Parts name	Remarks	Level	Cons	Qty
1	11047057	OIL RESERVOIR ASM.				1
2	NM6060001SE	NUT M6		*		1
3	11023017	OIL RESERVOIR		*		1
4	11024700	GASKET		*		1
5	11047107	RUBBER CUSHION		*		4
6	SS6700710SH	SCREW 5/16-24 L=7		*		1
7	RO098240100	RUBBER RING		*		1
8	22932156	KNEE LIFTER ROTATION ARM ASM.		*		1
9	22932107	KNEE LIFTER ROTATION ARM		*		1
10	NM6060001SE	NUT M6		*		2
11	SM8063012TR	SCREW M6 L=30		*		2
12	22932453	BRACKET ASM.		*		1
13	22932404	BRACKET		*		1
14	22934707	SCREW		*		2
15	40101720	SCREW_M6		*		1
16	22932305	KNEE PRESS ROD		*		1
17	22932206	SPRING		*		1
18	RE1000000K0	E-RING 10		*		1
19	B8228125000	OIL RESERVOIR MAGNET				1
20	11024304	KNEE PRESS LIFTER ROD				1
21	22934251	KNEE PAD PLATE ASM.				1
22	22934301	KNEE PAD PLATE SUPPORT		*		1
23	SM9061203SE	SCREW M6 L=12		*		1
24	22934509	KNEE PAD PLATE COVER		*		1
25	22934608	KNEE PAD UPRIGHT SHAFT		*		1
26	22934400	KNEE PAD PLATE RUBBER		*		1
27	22934202	KNEE PAD PLATE		*		1

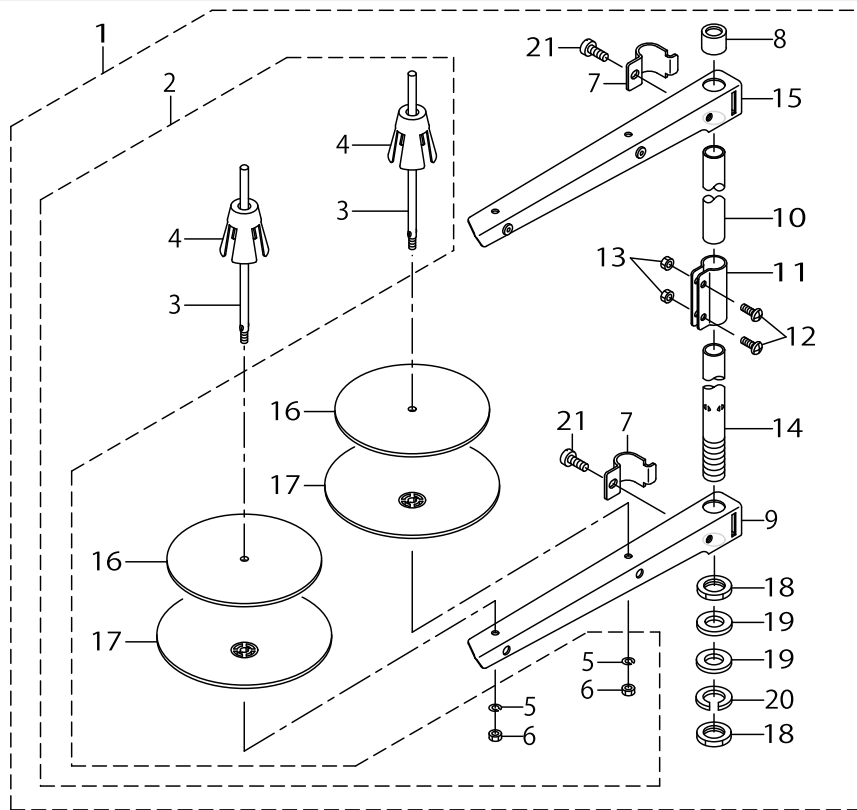
BELT COVER & BOBBIN WINDER COMPONENTS



BELT COVER & BOBBIN WINDER COMPONENTS

No.	Parts No.	Parts name	Remarks	Level	Cons	Qty
1	22933451	BELT COVER ASM.				1
2	22933402	BELT COVER A		*		1
3	22933501	BELT COVER A CAP		*		1
4	22933659	BELT COVER B COMPL.		*		1
5	22933600	BELT COVER B		*		1
6	22933758	BELT COVER B LID ASM.		*		1
7	22933907	BELT COVER STRUT		*		1
8	22934004	SET SCREW		*		2
9	SS4121415SP	SCREW 3/16-28 L=14		*		1
10	WP0501016SD	WASHER 5X10.5X1		*		1
11	SK3412000SC	WOOD SCREW D=4.1 L=20		*		2
12	WP0450826SC	WASHER 4.5X10X0.8		*		2
13	11415866	BOBBIN WINDER COMPL				1
14	22928501	THREAD TENSION POST BASE		*		1
15	SS4110515SP	SCREW 11/64-40 L=5		*		1
16	22928907	THREAD TENSION DISK		*		2
17	22929004	THREAD TENSION SPRING		*		1
18	22928808	NUT		*		1
19	SS4110515SP	SCREW 11/64-40 L=5		*		1
20	22928402	CONTROL RUBBER HOLDING PLATE		*		1
21	22928303	CONTROL RUBBER		*		1
22	11415908	POSITIONING FINGER		*		1
23	SD0490261SP	HINGE SCREW D=4.9 H=2.6		*		1
24	SS7081310SP	SCREW 1/8-44 L=12.5		*		1
25	22927305	BOBBIN WINDER BASE		*		1
26	22927404	BOBBIN WINDER		*		1
27	22927602	BOBBIN WINDER SPINDLE		*		1
28	SS8110510SP	SCREW 11/64-40 L=5		*		1
29	22928709	THREAD TENSION POST		*		1
30	SK3412000SC	WOOD SCREW D=4.1 L=20				2
31	WP0450826SC	WASHER 4.5X10X0.8				2

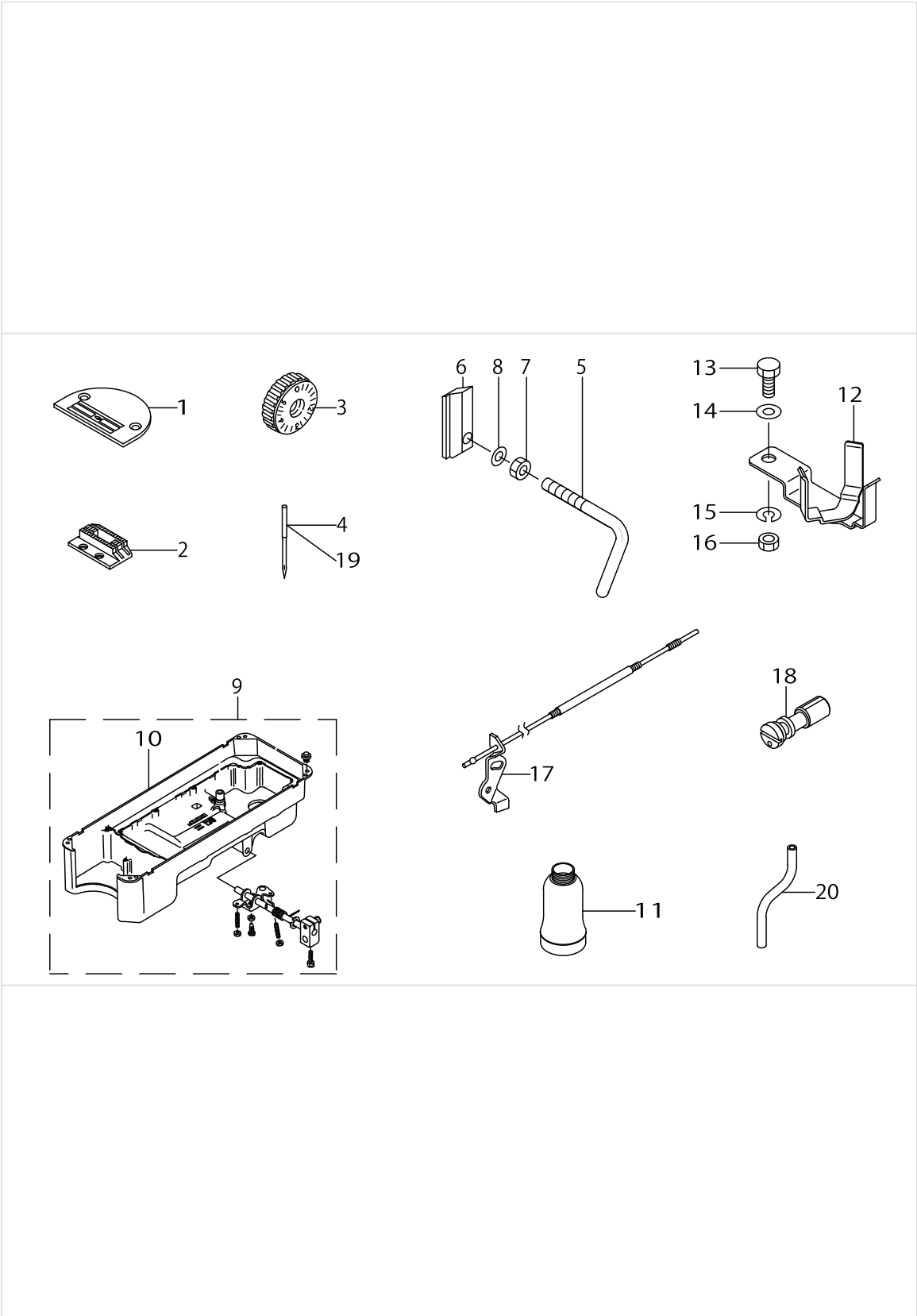
THREAD STAND COMPONENTS



THREAD STAND COMPONENTS

No.	Parts No.	Parts name	Remarks	Level	Cons	Qty
1	22930358	THREAD STAND ASM.				1
2	40062684	SPOOL PIN ASM.		*		1
3	22931000	SPOOL PIN		*		2
4	22931109	SPOOL RETAINER		*		2
5	WS0510002KN	SPRING WASHER		*		2
6	NM6050001SE	NUT M5		*		2
7	22930705	THREAD GUIDE ARM JOINT		*		2
8	22931406	SPOOL REST ROD RUBBER CAP		*		1
9	22930507	SPOOL REST ARM		*		1
10	22930408	SPOOL REST ROD UPPER		*		1
11	22931307	SPOOL REST ROD JOINT		*		1
12	SM4051405SE	SCREW M5 L=14		*		2
13	NM6050001SE	NUT M5		*		2
14	22930309	SPOOL REST ROD LOWER		*		1
15	22930556	THREAD STANDING ARM ASM.		*		1
16	22930903	SPOOL REST CUSHION		*		2
17	22930804	SPOOL REST		*		2
18	NM6160511SE	NUT M16X1.5		*		2
19	WP1612616SE	WASHER 16X30X2.6		*		2
20	WS1643202KR	SPRING WASHER		*		1
21	SM6061610SC	SCREW M6 L=16		*		2

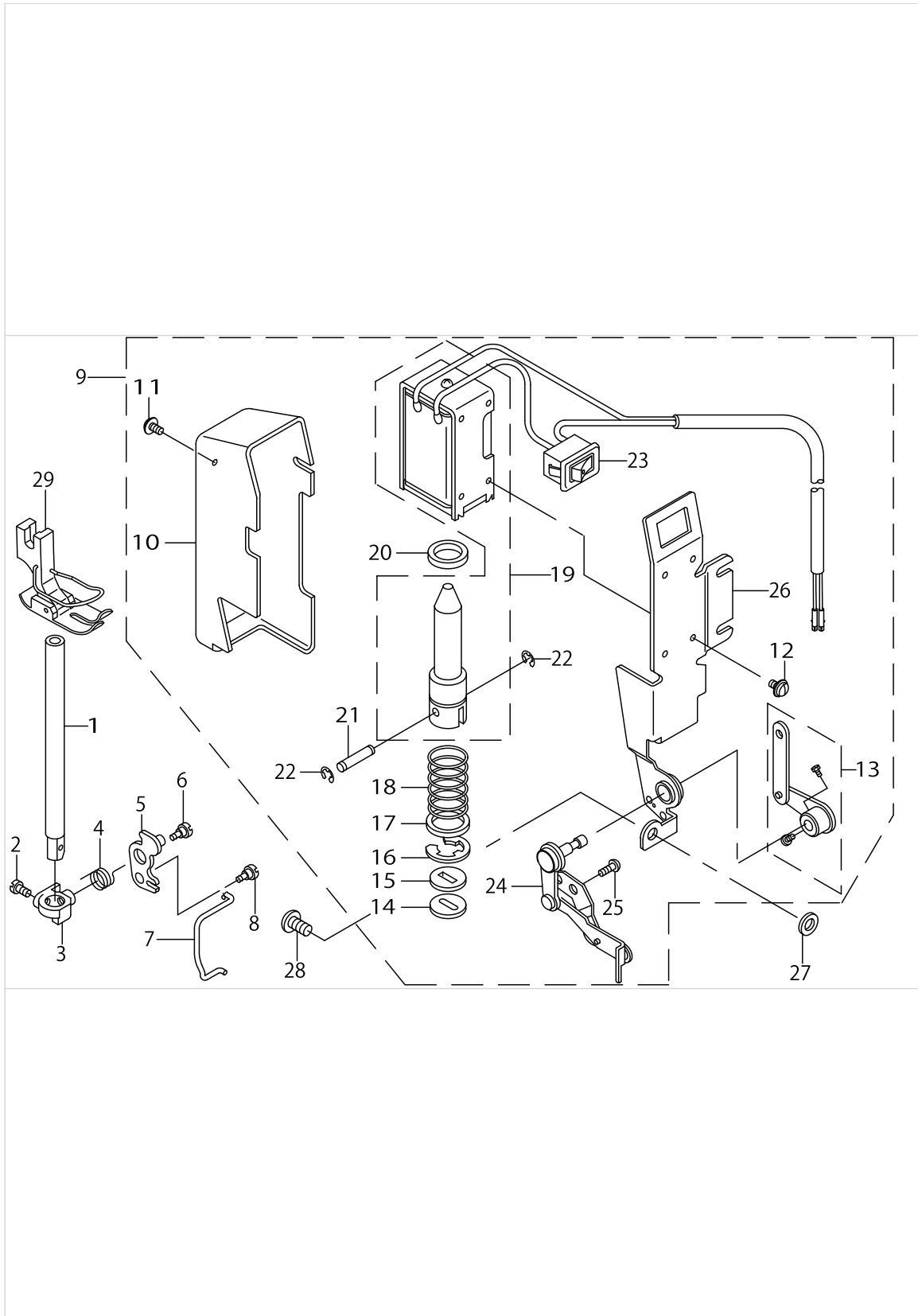
EXCLUSIVE PARTS FOR DDL-5600NJ-7



EXCLUSIVE PARTS FOR DDL-5600NJ-7

No.	Parts No.	Parts name	Remarks	Level	Cons	Qty
1	11400801	THROAT PLATE J				1
2	11403003	FEED J				1
3	11402104	FEED DIAL J				1
4	MDB100B2100	NEEDLE DBX1 #21				1
5	22972608	ARM THREAD GUIDE C				1
6	11403805	THREAD GUIDE C FITTING PLATE				1
7	NS6090310SP	NUT 9/64-40				1
8	WP0371016SD	WASHER 3.7X8X1				1
9	11142064	OIL RESERVOIR ASM.				1
10	11142056	OIL RESERVOIR ASM.		*		1
11	B9121012000	OIL CAN				1
12	11074408	SUPPORT BASE				1
13	SM9082023SE	SCREW M8 L=20				1
14	WP0871602SE	WASHER 8.7X18X1.6				1
15	WS0861410KR	SPRING WASHER 8.6X15X1.4				1
16	NM6080721SE	NUT M8				1
17	11409455	TENSION RELEASE WIRE ASM. J	FOR USE IN JAPAN			1
18	22903900	ADJUSTING PIN				1
19	MC200501300	NEEDLE 134 NM130	FOR JE			1
20	BP900000000	VINYL TUBE D=9				0.6

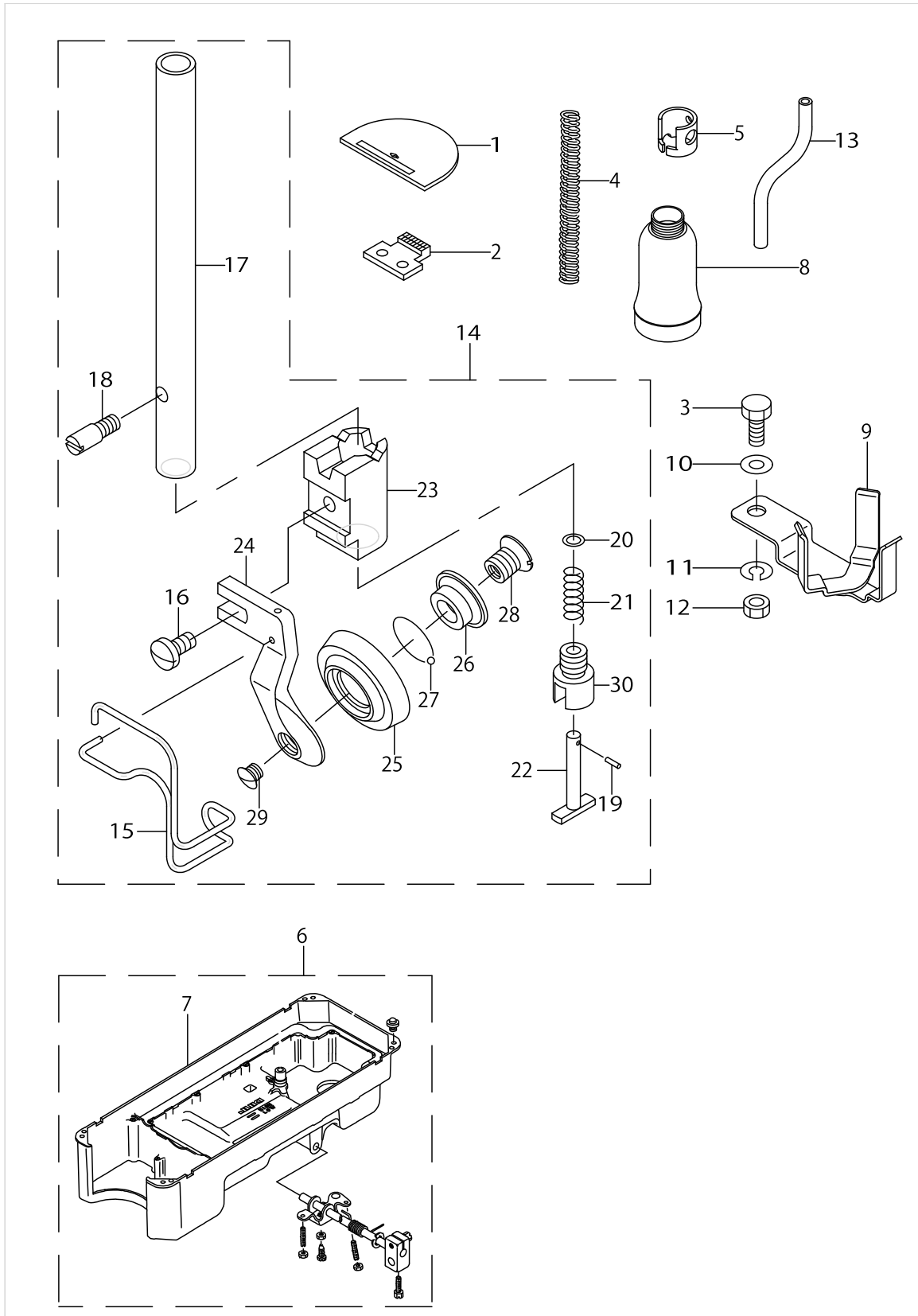
WIPER COMPONENTS (FOR DDL-5600NJ-7-FB)



WIPER COMPONENTS (FOR DDL-5600NJ-7-FB)

No.	Parts No.	Parts name	Remarks	Level	Cons	Qty
1	MAV02128000	PRESSER BAR				1
2	SS6110650TP	SCREW 11/64-40 L=5.5				1
3	11412509	WIPER BASE				1
4	11412608	WIPER ARM SPRING				1
5	11412764	WIPER ARM ASM.				1
6	SD0550212TP	HINGE SCREW D=5.5 H=2.1				1
7	11414612	WIPER STANDARD				1
8	SS6090560TP	SCREW 9/64-40 L=4.5				1
9	11415759	WIPER ASM. F				1
10	11411006	WIPER COVER		*		1
11	SL4030631SC	SCREW M3X6		*		1
12	SL4030641SE	SCREW		*		4
13	11411758	WIPER CONNECTING LINK ASM.		*		1
14	11234606	STOPPER RUBBER WASHER		*		1
15	11233301	STOPPER RUBBER		*		1
16	RE1200000K0	E-RING 12		*		1
17	WP1651616SD	WASHER		*		1
18	11411402	WIPER MAGNET SPRING		*		1
19	40112717	WIPER SOLENOID ASM.		*		1
20	11411303	PLUNGER STOPPER RUBBER		*		1
21	11411600	PLUNGER CONNECTING PIN		*		1
22	RC0330415KP	SNAP RING		*		2
23	HA00600000A	SWITCH		*		1
24	11412350	SLIDE BASE ASM.		*		1
25	SS4110515SP	SCREW 11/64-40 L=5		*		2
26	11413051	WIPER ADJUSTING BASE ASM.		*		1
27	WP0611626SP	WASHER 15X6X1.6				1
28	SS4120915SP	SCREW 3/16-28 L=9				1
29	D1524555ECL	PRESSER FOOT ASM.				1

EXCLUSIVE PARTS FOR DDL-5600NR-7



EXCLUSIVE PARTS FOR DDL-5600NR-7

No.	Parts No.	Parts name	Remarks	Level	Cons	Qty
1	11405800	THROAT PLATE R				1
2	11405701	FEED DOG R				1
3	SM9082023SE	SCREW M8 L=20				1
4	22907406	PRESSER SPRING				1
5	11401916	NEEDLE BAR THREAD GUIDE U				1
6	11142064	OIL RESERVOIR ASM.				1
7	11142056	OIL RESERVOIR ASM.		*		1
8	B9121012000	OIL CAN				1
9	11074408	SUPPORT BASE				1
10	WP0871602SE	WASHER 8.7X18X1.6				1
11	WS0861410KR	SPRING WASHER 8.6X15X1.4				1
12	NM6080721SE	NUT M8				1
13	BP900000000	VINYL TUBE D=9				0.6
14	B1524560RB0	ROLLER PRESSER ASM.				1
15	B1421560R00	NEEDLE SAFETY COVER		*		1
16	SS7090710SP	SCREW 9/64-40 L= 6.8		*		1
17	B1501560R00	PRESSER ROD R		*		1
18	B1523560R00	FIXED SCREW		*		1
19	B1512560R00	PIN		*		1
20	B1513560R00	WASHER		*		1
21	B1514560R00	SPRING		*		1
22	B1515560R00	SPRING SHAFT		*		1
23	B1517560R00	ROLLER PRESSER BASE		*		1
24	B1519560R00	ROLLER PRESSER		*		1
25	B1522560R00	ROLLER		*		1
26	B1521560R00	ROLLER BUSH		*		1
27	B1511560R00	STEEL BOLL		*		48
28	B1520560R00	SCREW		*		1
29	B1518560R00	SCREW		*		1
30	B1516560R00	SPRING HOLDER		*		1

LIST FOR INFORMATION OF CHANGE (1)

As to the place changed, refer to the corresponding Rev.No.
 When previous parts(Obsoleted part)and new parts(Added parts)are
 not interchangeable with each other:
 In this case,even obsoleted parts(D.)can be ordered with the
 obsoleted part number,so select the parts with changed dates and
 place your orders.

変更箇所は、該当Rev.No.版をご参照ください。
 部品の互換性がない変更の場合は、削除された品番でも、ご注文できます。

29134400
 No.0880-08 Rev.No.

*A:Added parts追加部品/D:Obsoleted parts削除部品/E:Erratum訂正

* Rev. No.	Page 頁	Ref. No.	Parts No. 品番	* Rev. No.	Page 頁	Ref. No.	Parts No. 品番
D 07	2	12	229-01904	A 08	2	12	114-15205
D 07	2	21	110-73954	A 08	2	21	229-63458
D 07	2	61	111-00104	A 08	2	61	401-11022
D 07	2	62	M6015-350-AAA				
D 07	2	63	SS-4121215-SP				
D 07	2	64	WP-0501016-SD				
D 07	4	6	B1905-541-B00	A 08	4	6	229-18403
				A 08	4	7	229-18502
				A 08	4	8	229-18601
				A 08	4	9	229-18700
D 07	4	7	110-91600	A 08	4	10	401-09126
D 07	4	8	B1408-552-000	A 08	4	11	229-06606
D 07	4	9	B1903-552-000	A 08	4	12	229-18304
D 07	4	21	110-02508	A 08	4	21	401-05231
D 07	6	6	B1414-555-000	A 08	6	6	400-90058
D 07	6	32	400-21622	A 08	6	32	401-02871
D 07	8	24	110-18207	A 08	8	24	229-20201
D 07	8	35	110-06004	A 08	8	35	229-07208
D 07	10	15	110-14008	A 08	10	15	229-15003
D 07	10	25	113-03005	A 08	10	25	229-10707
D 07	10	26	113-02908	A 08	10	26	229-10608
D 07	12	26	110-42306	A 08	12	26	229-50000
D 07	12	37	110-40706	A 08	12	37	229-48400
D 07	12	40	110-41407	A 08	12	40	229-49101
D 07	12	45	110-40854	A 08	12	45	229-48558
D 07	12	52	110-92806				
E 07	12	60	229-51404	A 08	12	60	110-43007
D 07	18	2	111-42064				
D 07	18	15	SM-9062563-TR	A 08	18	15	401-01720
D 07	18	19	111-42056				
				A 08	20	2	400-62684
D 07	21	18	M6014-350-AAD				
D 07	22	19	114-11105	A 08	22	19	401-12717
D 07	22	23	HW-2003900-00				
D 07	22	24	HA-0060000-00	A 08	22	23	HA-0060000-0A
D 07	22	25	HW-5000700-00				

HOW TO MAKE USE OF THIS PARTS LIST

1.Explanation of codes

1)"*"mark.....means this part is changed from the previous parts book.

As to the details of the change, refer to the "List for information of change".

2)"#01".....refer to "Note" explanation at bottom of page.

2.Codes on the "Qty" column

- Each numeral indicates the number of parts required.
- "0.1" and "2.5" indicate the length (in meters) of the respective parts.

3.Parentheses mean that the corresponding part is a subpart that constructs an assembly part.

4.Dotted lines on the Figures indicate assembly parts.

1."注記"欄の記号説明

1) "*"印.....前回のパーツブックに比較して今回変更された部品を意味します。

変更内容は、"変更情報リスト"を参照してください。

2) "#01".....ページ下の"注記"の説明を参照してください。

2.数量欄の数字は、個数を表し、0.1、2.5等の数値は、長さ（単位メートル）を表します。

3.数量欄の（ ）は、組部品を構成している子部品であることを意味します。

4.イラストページの-----枠は、組構成であることを意味します。

NUMERICAL INDEX OF PARTS

PART NO	PAGE	REF NO.	PART NO	PAGE	REF NO.	PART NO	PAGE	REF NO.
10313005	22	29	11234606	34	14	11409554	18	1
11000304	2	2	11302619	14	22	11409604	18	10
11002409	6	20	11302700	16	74	11409703	18	3
11002904	6	40	11303161	14	27	11411006	34	10
11003308	2	11	11305000	14	17	11411303	34	20
11004207	8	26	11306206	10	26	11411402	34	18
11005105	8	8	11311057	14	6	11411600	34	21
11009800	14	5-62	11314267	16	70	11411758	34	13
11017357	6	1	11314507	14	1	11412350	34	24
11023017	26	3	11385127	14	3	11412509	34	3
11024304	26	20	11400801	32	1	11412608	34	4
11024700	26	4	11401403	8	23	11412764	34	5
11030202	2	20	11401502	10	34	11413051	34	26
11040953	18	44	11401809	8	3	11414612	34	7
11041605	18	38	11401916	36	5	11415205	2	12
11043007	20	60	11402104	32	3	11415650	22	28
11043304	20	57	11402203	14	10	11415759	34	9
11045705	10	43	11402401	6	2	11415866	28	13
11047057	26	1	11402716	14	4	11415908	28	22
11047107	26	5	11403003	32	2	22900401	2	10
11070851	2	1	11403151	6	42-43	22901003	4	55
11071453	6	32	11403300	8	31	22901201	4	52
11071495	6	28	11403607	8	40	22901250	4	51
11074408	32	12	11403805	32	6	22901300	4	53
11074408	36	9	11403961	6	5	22901409	8	1
11075058	22	1	11403979	6	4	22901805	2	28
11091006	2	30	11404555	24	12	22902605	4	56
11094109	24	11	11404605	24	22	22903009	6	19
11094307	18	43	11404704	8	39	22903207	6	24
11094406	18	29	11404753	8	38	22903306	6	26
11095254	2	17	11405701	36	2	22903900	32	18
11095403	18	7	11405800	36	1	22904155	6	22
11096500	20	53	11407053	18	23	22904155	16	61
11096658	22	25	11407103	18	35	22905103	8	25
11100500	4	62	11407202	18	31	22906101	8	2
11101300	22	15	11407459	20	49	22906457	8	4
11101508	22	17	11407608	20	54	22906606	6	11
11102308	22	12	11407707	20	50	22907208	10	35
11102605	4	64	11407855	18	30	22907307	10	37
11142056	32	10	11408606	18	14	22907406	36	4
11142056	36	7	11408655	18	13	22907505	10	33
11142064	32	9	11409018	22	30	22907554	10	31
11142064	36	6	11409257	18	5	22907604	10	32
11231503	24	25	11409455	32	17	22907703	12	48
11233301	34	15	11409505	18	6	22907802	10	1

NUMERICAL INDEX OF PARTS

PART NO	PAGE	REF NO.	PART NO	PAGE	REF NO.	PART NO	PAGE	REF NO.
22908008	10	8	22921407	2	34	22932206	26	17
22908156	10	7	22921506	2	37	22932305	26	16
22908305	10	9	22921605	2	39	22932404	26	13
22908354	10	5	22921803	2	36	22932453	26	12
22908552	10	4	22923015	24	14	22933402	28	2
22908701	10	10	22923205	24	17	22933451	28	1
22908800	10	15	22923312	24	13	22933501	28	3
22908909	10	12	22923403	24	19	22933600	28	5
22909006	10	14	22923502	24	21	22933659	28	4
22910608	14	26	22923601	24	20	22933758	28	6
22910707	14	25	22923700	24	15	22933907	28	7
22910806	14	28	22923809	24	18	22934004	28	8
22910905	14	24	22924005	24	28	22934202	26	27
22911002	14	40	22924153	24	6	22934251	26	21
22911101	14	13	22924302	24	7	22934301	26	22
22911705	16	5-62	22924401	24	3	22934400	26	26
22911804	14	7	22924609	24	27	22934509	26	24
22912000	14	9	22924807	20	64	22934608	26	25
22912109	14	8	22924906	24	10	22934707	26	14
22912752	16	66	22925002	24	9	22935407	4	59
22912802	16	65	22925101	24	5	22937965	6	35
22912901	14	39	22927305	28	25	22940654	16	55
22913008	16	60	22927404	28	26	22940753	14	35
22915003	14	15	22927602	28	27	22940803	14	31
22915151	14	45	22928303	28	21	22942601	8	41
22915201	16	48	22928402	28	20	22944508	10	19
22915359	16	58	22928501	28	14	22944607	10	21
22916308	8	27	22928709	28	29	22944854	10	28
22917058	8	36	22928808	28	18	22945307	2	40
22917157	8	29	22928907	28	16	22945414	2	22
22918304	6	12	22929004	28	17	22945604	2	23
22918403	6	6~9	22930309	30	14	22945703	2	26
22918502	6	6~9	22930358	30	1	22945802	2	24
22918601	6	6~9	22930408	30	10	22947006	24	1
22918700	6	6~9	22930507	30	9	22948400	18	37
22919203	6	41	22930556	30	15	22948558	18	34
22920102	10	30	22930705	30	7	22949101	18	40
22920201	10	24	22930804	30	17	22949200	18	41
22920300	10	27	22930903	30	16	22949754	18	24
22920409	10	25	22931000	30	3	22950000	18	26
22920607	4	47	22931109	30	4	22950356	18	15
22920904	2	43	22931307	30	11	22950703	18	25
22921001	2	31	22931406	30	8	22950851	18	19
22921209	2	38	22932107	26	9	22950950	18	21
22921308	2	33	22932156	26	8	22951552	20	61

NUMERICAL INDEX OF PARTS

PART NO	PAGE	REF NO.	PART NO	PAGE	REF NO.	PART NO	PAGE	REF NO.
22954101	22	4	B13050120A0	8	14	HA00600000A	34	23
22954200	22	5	B13061550A0	8	16	HK034610140	18	46
22954309	22	6	B13061550B0	8	13	HK03464000B	18	45
22954507	22	13	B13061550C0	8	12	HK03464000B	22	33
22954606	22	2	B13071550A0	8	19	HW500070000	22	32
22958300	2	7	B13071550B0	8	18	HX000430000	6	36
22962005	2	35	B13081550A0	8	21	M40071100AA	6	33
22962054	2	32	B1421560R00	36	15	M40071100AB	6	34
22962500	22	19	B1501560R00	36	17	MAT81131T00	22	31
22962609	24	29	B1511560R00	36	27	MAV02128000	10	36-47
22962708	18	22	B1512560R00	36	19	MAV02128000	34	1
22962807	10	22	B1513560R00	36	20	MC200501300	8	11-42
22962906	22	24	B1514560R00	36	21	MC200501300	32	19
22963409	2	25	B1515560R00	36	22	MDB100B2100	8	11-42
22963458	2	21	B1516560R00	36	30	MDB100B2100	32	4
22967202	16	64	B1517560R00	36	23	NM6040000SN	20	56
22970552	6	42-43	B1518560R00	36	29	NM6050001SE	30	13
22970602	14	38	B1519560R00	36	24	NM6060001SE	26	10
22970701	14	12	B1520560R00	36	28	NM6080721SE	32	16
22970750	14	11	B1521555000	10	2	NM6080721SE	36	12
22970859	14	43	B1521560R00	36	26	NM6160511SE	30	18
22971105	16	69	B1522560R00	36	25	NS6090310SP	32	7
22971204	14	2	B1523560R00	36	18	NS6110420SP	22	36
22971550	14	19	B1524560RB0	36	14	NS6150430SP	18	33
22972608	32	5	B1837201SA0	8	34	NS6620310SP	10	46
40010395	14	23	B8228125000	26	19	NS6660410SH	20	58
40017805	10	36-47	B9121012000	32	11	NS6660430SP	20	59
40021610	8	28	B9121012000	36	8	NS6680410SP	14	42
40021613	8	35	BP900000000	32	20	RC0150001KP	14	54
40021790	2	4	BP900000000	36	13	RC0150001KP	16	54
40023223	8	7	CM300200001	2	14	RC0330415KP	34	22
40024124	8	10	CM301300001	2	13	RC1850001KP	6	23
40057178	6	17	CQ252000000	24	8	RE0400000K0	18	39
40057179	6	13	D1109555E0L	2	44	RE0500000K0	10	23
40060989	10	40	D1109560E0B	2	18	RE0500000K0	14	21
40062684	30	2	D1126560E00A	4	63	RE0500000K0	18	51
40090058	8	6	D1524555EBL	10	18-42	RE0500000K0	20	51
40101720	26	15	D1524555ECL	34	29	RE0500000KP	22	14
40102871	8	32	D1524560EBB	10	18-42	RE0600000K0	18	27
40105231	6	21	D1613560E00	16	73	RE1000000K0	26	18
40109126	6	10	D1613560E0A	14	33	RE1200000K0	22	20
40111022	4	61	D1830560EA0	8	24	RE1200000K0	34	16
40112717	34	19	D2404555B00	18	9	RO029180100	6	39
B1213552000A	6	38	D2468555B00	22	22	RO037180100	10	3
B1215552000	6	25	HA001900000	22	11	RO044240100	6	14

NUMERICAL INDEX OF PARTS

PART NO	PAGE	REF NO.	PART NO	PAGE	REF NO.	PART NO	PAGE	REF NO.
RO078190100	16	63	SS4120615SP	10	45	SS7121410TP	14	56
RO092270200	14	16	SS4120615SP	22	38	SS7121410TP	16	56
RO098240100	26	7	SS4120615SP	24	4	SS7121610SP	14	46
RO195240100	24	2	SS4120915SP	2	50	SS7620750SP	16	50
SD0460703TP	18	2	SS4120915SP	4	50	SS7681650TP	6	15
SD0490261SP	28	23	SS4120915SP	8	43	SS8090670SP	2	41
SD0500131TP	18	4	SS4120915SP	22	39	SS8110410TP	8	37
SD0550212TP	34	6	SS4120915SP	34	28	SS8110510SP	28	28
SD0600452TP	20	62	SS4121415SP	28	9	SS8150710SP	2	42
SD0630275SP	18	18	SS4150915SP	10	44	SS8150710SP	14	29
SD0640631TP	20	48	SS4150915SP	20	47	SS8151150SP	6	27
SD0641451SP	18	17	SS4150915SP	24	26	SS8151550SP	6	31
SD0700451TP	22	18	SS4151215SP	20	63	SS8660610TP	6	18
SD0700711TP	22	37	SS4151215SP	22	26	SS8660810TP	8	22
SD0720331SP	10	13	SS6060210SP	4	54	SS8660810TP	10	38
SD1000801SH	14	47	SS6080320SP	2	3	SS8681650TP	6	16
SE4301041SR	24	16	SS6090510SP	18	16	SS9661120CP	14	36
SK3412000SC	28	30	SS6090560TP	16	52	TA0850604R0	2	5
SL4030631SC	34	11	SS6090560TP	34	8	TA1250406R0	4	49
SL4030641SE	34	12	SS6090620SP	14	41	TA1250705R0	2	6
SL4030851SF	24	23	SS6090650SP	6	3	TA2000502R0	2	16
SL4051001MZ	6	37	SS6090670TP	8	5	TA2101002R0	2	19
SM4031501SC	22	8	SS6090910SP	10	39	WP0371016SD	32	8
SM4040655SP	22	3	SS6110420TP	8	30	WP0450000SD	20	55
SM4041655SP	22	7	SS6110610TP	4	48	WP0450801SD	6	30
SM4051405SE	30	12	SS6110650TP	34	2	WP0450826SC	28	31
SM6061610SC	30	21	SS6110710TP	20	52	WP0480856SP	16	57
SM8061010TP	16	68	SS6111010TP	24	24	WP0501016SD	22	16
SM8061050TP	16	67	SS6111210SP	6	29	WP0501016SD	28	10
SM8063012TR	26	11	SS6121610SP	14	44	WP0611626SP	34	27
SM9061203SE	26	23	SS6121840SP	2	9	WP0621016SH	18	32
SM9082023SE	32	13	SS6121860SP	16	75	WP0702026SP	14	37
SM9082023SE	36	3	SS6151220SP	16	72	WP0722316SH	22	35
SS1120710SP	4	58	SS6660610TP	18	20	WP0871602SE	32	14
SS2060210SP	18	8	SS6661110SP	6	44	WP0871602SE	36	10
SS2110915SP	2	46	SS6700710SH	26	6	WP1602616SZ	22	21
SS2110920TP	2	45	SS7080510TP	8	9	WP1612616SE	30	19
SS4080620TP	14	34	SS7081310SP	28	24	WP1651616SD	34	17
SS4080620TP	18	11	SS7090610SP	18	42	WS0451040KP	24	31
SS4110515SP	10	17	SS7090710SP	36	16	WS0510002KN	30	5
SS4110515SP	28	19	SS7091110SP	10	41	WS0651310KP	24	30
SS4110515SP	34	25	SS7110540SP	4	57	WS0861410KR	32	15
SS4110715SP	18	28	SS7110740TP	10	29	WS0861410KR	36	11
SS4110915TP	8	33	SS7110740TP	16	53	WS1643202KR	30	20
SS4120615SP	2	29	SS7111120SP	16	59	WT0530002KS	4	60

NUMERICAL INDEX OF PARTS

PART NO	PAGE	REF NO.
WZ1250300K0	16	71