

MODEL : AK-84/AK-85/AK-86/AK-87

List No : 0872-02

# PARTS LIST

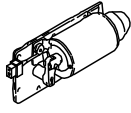
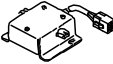
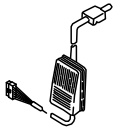
Published:09/10/2017

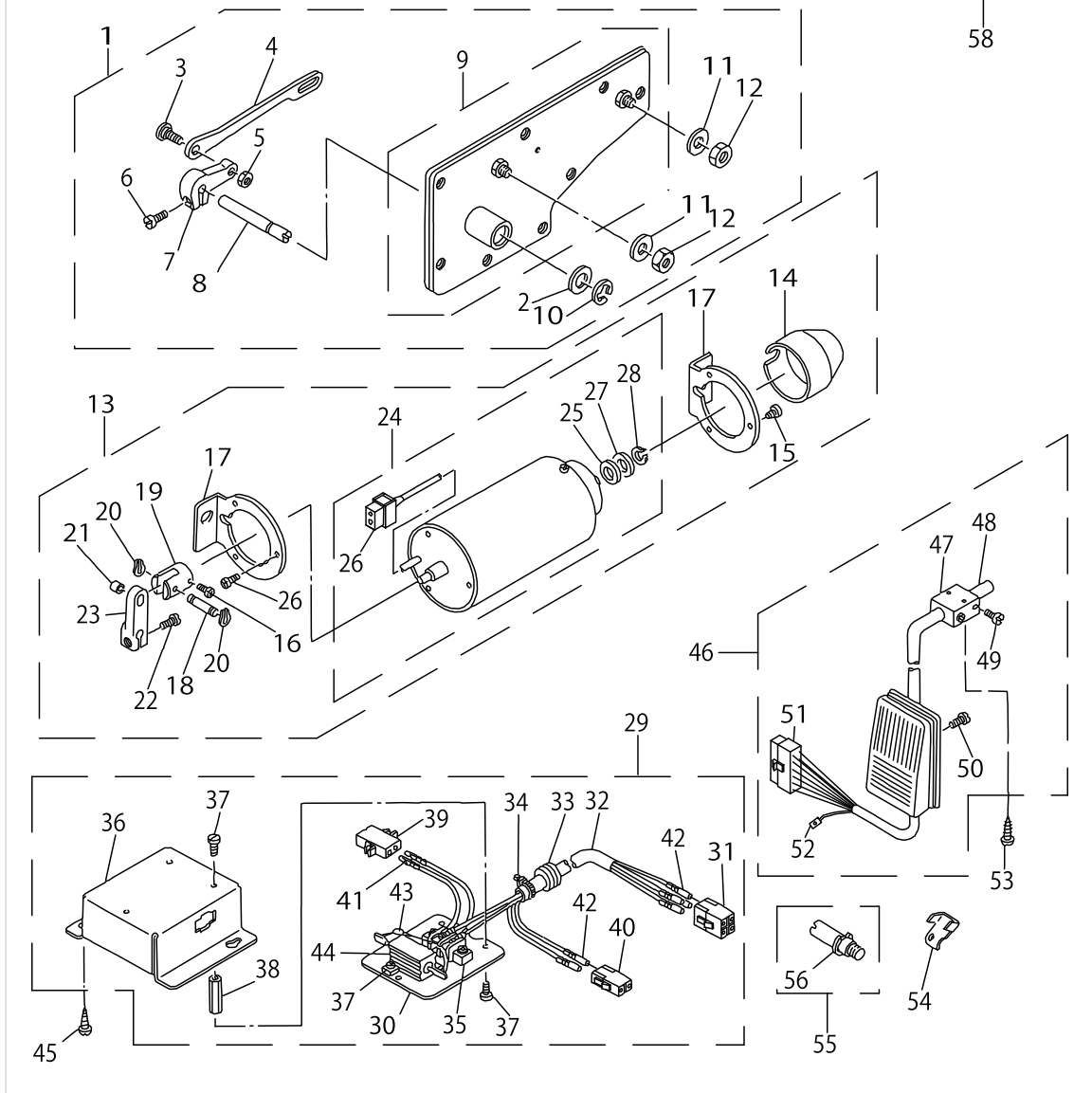
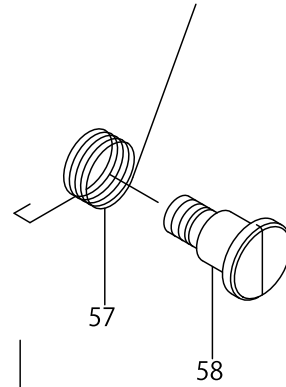
## CONTENTS

---

AUTO-LIFTER (ON THE SIDE PLATE) COMPONENTS.....	1
HOW TO MAKE USE OF THIS PARTS LIST .....	5

AUTO-LIFTER (ON THE SIDE PLATE) COMPONENTS

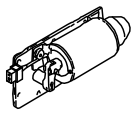

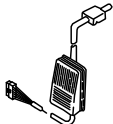
TABLE OF UNIT COMBINATIONS ユニット組合せ表			
			
AK- 84	○		○
AK- 85	○		
AK- 86	○	○	○
AK- 87	○	○	

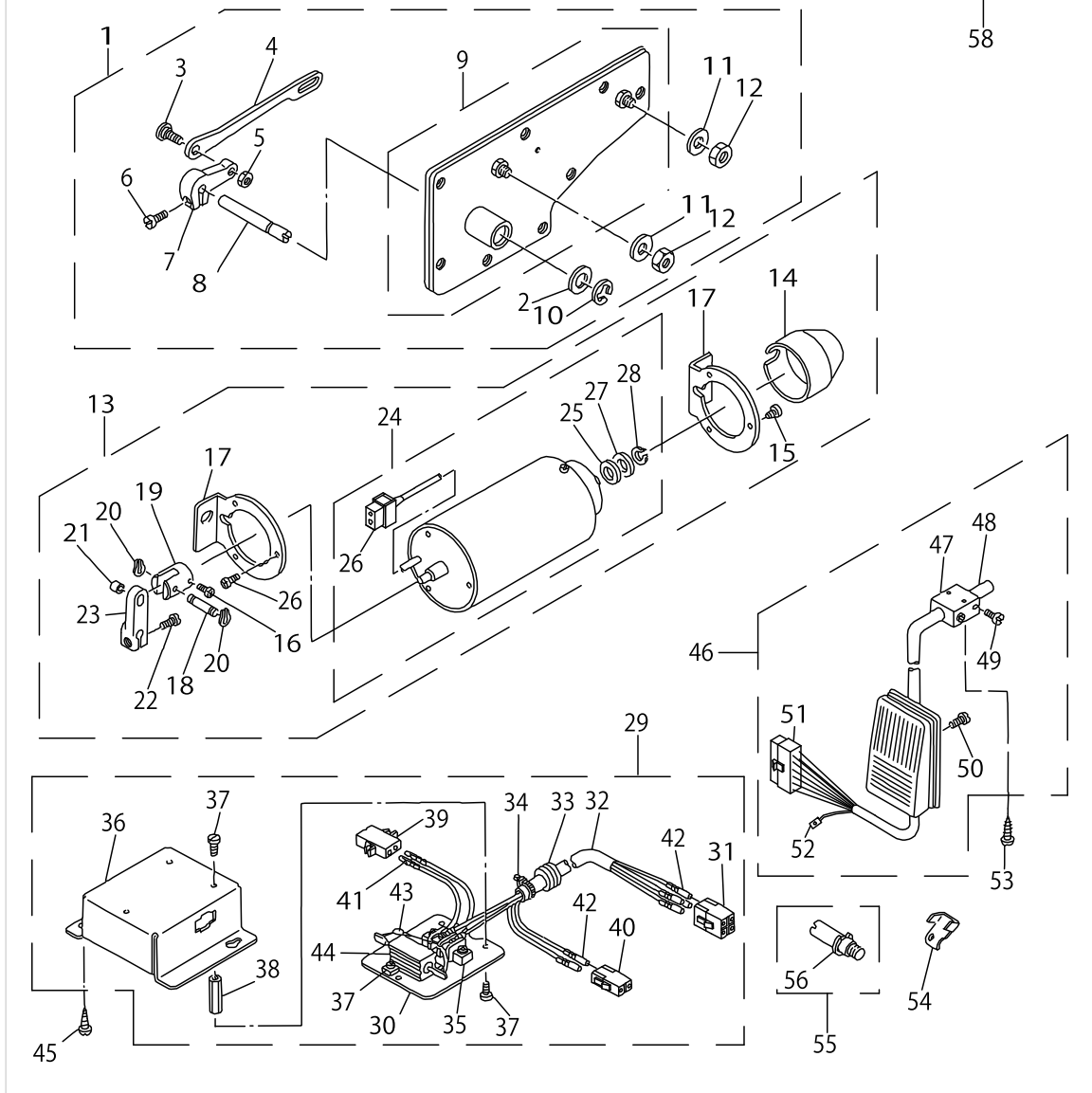
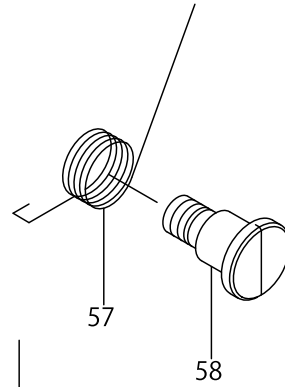


AUTO-LIFTER (ON THE SIDE PLATE) COMPONENTS

No.	Parts No.	Parts name	Remarks	Level	Cons	Qty
1	GAK330200BA	SIDE PLATE ASM. B				1
2	WP1021016SD	WASHER		*		1
3	SD0800352SP	HINGE SCREW D= 8 H= 3.5		*		1
4	GAK33026000	SOLENOID LINK		*		1
5	NS6150310SP	NUT 15/64-28		*		1
6	SS6121210SP	SCREW 3/16-28 L=12		*		1
7	GAK33027000	SOLENOID ARM		*		1
8	GAK33028000	SOLENOID SHAFT		*		1
9	GAK330200AA	SIDE PLATE ASM. A		*		1
10	RE070000K0	E-RING 7		*		1
11	WP0621036SP	WASHER		*		2
12	NS6150440SP	NUT 15/64-28		*		2
13	GAK840300BA	AK" SOLENOID ASM. B				1
14	GAK3303600A	SOLENOID COVER		*		1
15	SS4120915SP	SCREW 3/16-28 L=9		*		6
16	SS4110915SP	SCREW 11/64-40 L=9		*		1
17	GAK3303400A	SOLENOID BASE		*		2
18	GAK33012000	SOLENOID PIN		*		1
19	GAK33035000	SOLENOID COLLAR		*		1
20	GAK33014000	SNAP RING		*		2
21	GAK33013000	SOLENOID PIN COLLAR		*		1
22	SS7121610SP	SCREW 3/16-28 L=15.5		*		1
23	GAK33011000	SOLENOID ARM, A		*		1
24	GAK840300AA	AK" SOLENOID ASM. A		*		1
25	GAK33031000	SOLENOID RUBBER, A		*		1
26	HK034610020	2-POLE NYLON PLUG		*		1
27	WP1052000SC	WASHER 10.5X18X2		*		1
28	RC0931011KP	RETAINING RING		*		1
29	GAK860500A0	FLY BACK RESISTOR ASM.				1
30	GAK33051000	RESISTOR BASE		*		1
31	HK034610040	HOUSING		*		1
32	HW5F18S1248	4-CORE CABTYRE CORD		*		0.7
33	M1014110000	CORD BUSH B		*		1
34	HX000430000	CLIP		*		1
35	GAK01015000	2P TERMINAL BASE		*		1
36	GAK86050000	RESISTOR COVER		*		1
37	SM4030601SE	SCREW M3 L=6		*		8
38	GAK33052000	STUD		*		3
39	MAI15041000	NYLON RECEPTACLE 2P		*		1
40	HK034620020	2P PLUG		*		1
41	D6042555B00	PIN TERMINAL, FEMALE		*		2
42	HK034630000	TERMINAL		*		6
43	HG26740147P	DIODE IN5625		*		1
44	HR003601000	RESISTOR 10 OHM 20W		*		1
45	SK3412000SC	WOOD SCREW D=4.1 L=20				1
46	GAK840900B0	LIFTER KNEE SWITCH ASM. B				1
47	MAT80230T00	KNEE SWITCH SUPPORT BASE		*		2

AUTO-LIFTER (ON THE SIDE PLATE) COMPONENTS

TABLE OF UNIT COMBINATIONS ユニット組合せ表			
			
AK- 84	○		○
AK- 85	○		
AK- 86	○	○	○
AK- 87	○	○	



AUTO-LIFTER (ON THE SIDE PLATE) COMPONENTS

No.	Parts No.	Parts name	Remarks	Level	Cons	Qty
48	MAT80231T00	DRIVING BAR, T002		*		1
49	SS6151220SP	SCREW 15/64-28 L=11.5		*		4
50	SS7111410SP	SCREW 11/64-40 L=14		*		2
51	HK048910120	HOUSING		*		1
52	HK049240000	PIN-SHAPE TERMINAL		*		2
53	SK3514000SC	WOOD SCREW D=5.1 L=40				2
54	GAK33060000	CORD HOLDER				1
55	GAK330400A0	SHAFT PIN ASM.				1
56	RE0500000K0	E-RING		*		1
57	GAK33042000	KNEE LIFTING LINK SPRING				1
58	GAK33041000	KNEE LIFTING LINK STEP-SCREW				1

## HOW TO MAKE USE OF THIS PARTS LIST

1.As to "#01" and "#02" refer to the "Note" given at the bottom of the respective pages.

2.Codes on the "Qty" column

- Each numeral indicates the number of parts required.
- "0.1" and "2.5" indicate the length (in meters) of the respective parts.

3.Parentheses mean that the corresponding part is a subpart that constructs an assembly part.

4.Dotted lines on the Figures indicate assembly parts.

1. リストページの# 0 1、# 0 2の印は、ページ下の"注記"の説明を参照下さい。
2. 数量欄の数字は、個数を表し、0. 1、2. 5等の数値は、長さ（単位メートル）を表します。
3. 数量欄の（ ）は、組部品を構成している子部品であることを意味します。
4. イラストページの-----枠は、組構成であることを意味します。

## NUMERICAL INDEX OF PARTS

PART NO	PAGE	REF NO.	PART NO	PAGE	REF NO.
D6042555B00	2	41	SD0800352SP	2	3
GAK01015000	2	35	SK3412000SC	2	45
GAK33011000	2	23	SK3514000SC	4	53
GAK33012000	2	18	SM4030601SE	2	37
GAK33013000	2	21	SS4110915SP	2	16
GAK33014000	2	20	SS4120915SP	2	15
GAK330200AA	2	9	SS6121210SP	2	6
GAK330200BA	2	1	SS6151220SP	4	49
GAK33026000	2	4	SS7111410SP	4	50
GAK33027000	2	7	SS7121610SP	2	22
GAK33028000	2	8	WP0621036SP	2	11
GAK33031000	2	25	WP1021016SD	2	2
GAK3303400A	2	17	WP1052000SC	2	27
GAK33035000	2	19			
GAK3303600A	2	14			
GAK330400A0	4	55			
GAK33041000	4	58			
GAK33042000	4	57			
GAK33051000	2	30			
GAK33052000	2	38			
GAK33060000	4	54			
GAK840300AA	2	24			
GAK840300BA	2	13			
GAK840900B0	2	46			
GAK86050000	2	36			
GAK860500A0	2	29			
HG26740147P	2	43			
HK034610020	2	26			
HK034610040	2	31			
HK034620020	2	40			
HK034630000	2	42			
HK048910120	4	51			
HK049240000	4	52			
HR003601000	2	44			
HW5F18S1248	2	32			
HX000430000	2	34			
M1014110000	2	33			
MAI15041000	2	39			
MAT80230T00	2	47			
MAT80231T00	4	48			
NS6150310SP	2	5			
NS6150440SP	2	12			
RC0931011KP	2	28			
RE0500000K0	4	56			
RE0700000K0	2	10			